

# Saivod

1 PT1704 W

1 PT1704 I

---

en

pt

es

---

Instruction Manual

Manual de Instruções

---

Manual de instrucciones



## **Please read this user manual first!**

Dear Customer,

We hope that your product, which has been produced in modern plants and checked under the most meticulous quality control procedures, will provide you an effective service.

Therefore, read this entire user manual carefully before using the product and keep it as a reference. If you handover the product to someone else, give the user manual as well.

## **The user manual will help you use the product in a fast and safe way.**


- Read the manual before installing and operating the product.
- Make sure you read the safety instructions.
- Keep the manual in an easily accessible place as you may need it later.
- Read the other documents given with the product.

Remember that this user manual is also applicable for several other models. Differences between models will be identified in the manual.

## **Explanation of symbols**

### **Throughout this user manual the following symbols are used:**

 Important information or useful tips.

 Warning against dangerous conditions for life and property.

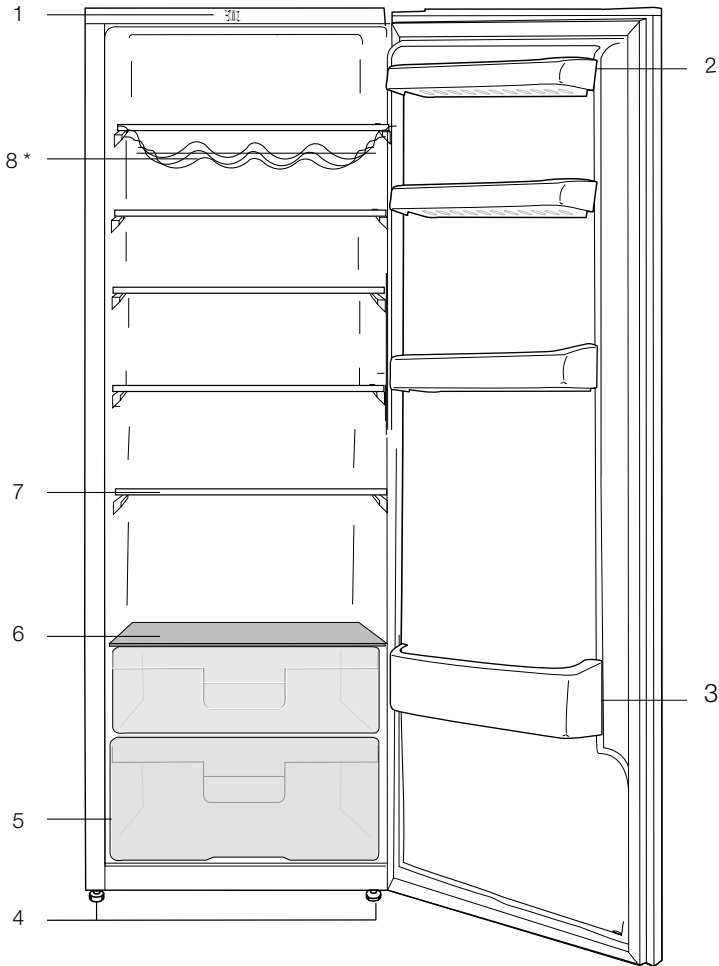
 Warning against electric voltage.

# CONTENTS

---

<b>1 Your refrigerator</b>	<b>4</b>	<b>4 Preparation</b>	<b>16</b>
<b>2 Important Safety Warnings</b>	<b>5</b>	<b>5 Using your cooler/freezer</b>	<b>17</b>
Intended use .....	5	Using interior compartments.....	17
General safety .....	5	Stopping your product.....	17
For products with a water dispenser; ..	9	Cooling.....	18
Child safety.....	9	Placing the food .....	18
Compliance with WEEE Directive and Disposing of the Waste Product: .....	9	<b>6 Maintenance and cleaning</b>	<b>19</b>
Package information.....	10	Protection of plastic surfaces .....	19
HC warning .....	10	<b>7 Troubleshooting</b>	<b>20</b>
Things to be done for energy saving	10		
<b>3 Installation</b>	<b>12</b>		
Points to be paid attention to when the relocation of the refrigerator .....	12		
Before you start the refrigerator,.....	12		
Electrical connection.....	12		
Disposing of the packaging .....	13		
Disposing of your old refrigerator .....	13		
Placing and Installation .....	13		
Adjusting the legs .....	14		
Changing the illumination lamp .....	14		
Door Open Warning.....	14		
Reversing the doors .....	15		

# 1 Your refrigerator



- |                            |                            |
|----------------------------|----------------------------|
| 1. Trim plastic front      | 5. Chiller                 |
| 2. Adjustable door shelves | 6. Chiller cover and glass |
| 3. Bottle shelves          | 7. Movable shelves         |
| 4. Adjustable front feet   | 8. Wine cellar             |

**\* OPTIONAL**

**i** Figures that take place in this instruction manual are schematic and may not correspond exactly with your product. If the subject parts are not included in the product you have purchased, then it is valid for other models.

## 2 Important Safety Warnings

---

Please review the following information. Failure to observe this information may cause injuries or material damage. Otherwise, all warranty and reliability commitments will become invalid.

The service life of your product is 10 years. During this period, original spare parts will be available to operate the product properly.

### Intended use

This product is intended to be used

- indoors and in closed areas such as homes;
- in closed working environments such as stores and offices;
- in closed accommodation areas such as farm houses, hotels, pensions.
- It should not be used outdoors.

### General safety

- When you want to dispose/scrap the product, we recommend you to consult the authorized service in order to learn the required information and authorized bodies.
- Consult your authorized service for all your questions and problems related to the refrigerator. Do not intervene or let someone intervene to the refrigerator without notifying the authorised services.
- For products with a freezer compartment; Do not eat cone ice cream and ice cubes immediately after you take them out of the freezer compartment! (This may cause frostbite in your mouth.)
- For products with a freezer compartment; Do not put bottled and canned liquid beverages in the freezer compartment.

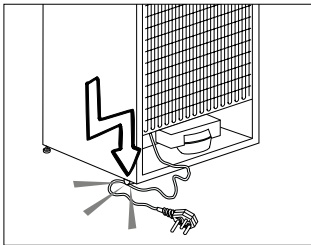
Otherwise, these may burst.

- Do not touch frozen food by hand; they may stick to your hand.
- Unplug your refrigerator before cleaning or defrosting.
- Vapor and vaporized cleaning materials should never be used in cleaning and defrosting processes of your refrigerator. In such cases, the vapor may get in contact with the electrical parts and cause short circuit or electric shock.
- Never use the parts on your refrigerator such as the door as a means of support or step.
- Do not use electrical devices inside the refrigerator.
- Do not damage the parts, where the refrigerant is circulating, with drilling or cutting tools. The refrigerant that might blow out when the gas channels of the evaporator, pipe extensions or surface coatings are punctured causes skin irritations and eye injuries.
- Do not cover or block the ventilation holes on your refrigerator with any material.
- Electrical devices must be repaired by only authorised persons. Repairs performed by incompetent persons create a risk for the user.
- In case of any failure or during a maintenance or repair work, disconnect your refrigerator's mains supply by either turning off the relevant fuse or unplugging your appliance.
- Do not pull by the cable when pulling off the plug.
- Place the beverage with higher proofs tightly closed and vertically.
- Never store spray cans containing flammable and explosive substances in the refrigerator.
- Do not use mechanical devices or other

means to accelerate the defrosting process, other than those recommended by the manufacturer.

- This product is not intended to be used by persons with physical, sensory or mental disorders or unlearned or inexperienced people (including children) unless they are attended by a person who will be responsible for their safety or who will instruct them accordingly for use of the product
- Do not operate a damaged refrigerator. Consult with the service agent if you have any concerns.
- Electrical safety of your refrigerator shall be guaranteed only if the earth system in your house complies with standards.
- Exposing the product to rain, snow, sun and wind is dangerous with respect to electrical safety.
- Contact authorized service when there is a power cable damage to avoid danger.
- Never plug the refrigerator into the wall outlet during installation. Otherwise, risk of death or serious injury may arise.
- This refrigerator is intended for only storing food items. It must not be used for any other purpose.
- Label of technical specifications is located on the left wall inside the refrigerator.
- Never connect your refrigerator to electricity-saving systems; they may damage the refrigerator.
- If there is a blue light on the refrigerator, do not look at the blue light with optical tools.
- For manually controlled refrigerators, wait for at least 5 minutes to start the refrigerator after power failure.

- This operation manual should be handed in to the new owner of the product when it is given to others.
- Avoid causing damage on power cable when transporting the refrigerator. Bending cable may cause fire. Never place heavy objects on power cable.
- Do not touch the plug with wet hands when plugging the product.



- Do not plug the refrigerator if the wall outlet is loose.
- Water should not be sprayed on inner or outer parts of the product for safety purposes.
- Do not spray substances containing inflammable gases such as propane gas near the refrigerator

to avoid fire and explosion risk.

- Never place containers filled with water on top of the refrigerator; in the event of spillages, this may cause electric shock or fire.
- Do not overload the refrigerator with food. If overloaded, the food items may fall down and hurt you and damage refrigerator when you open the door.
- Never place objects on top of the refrigerator; otherwise, these objects may fall down when you open or close the refrigerator's door.
- As they require a precise temperature, vaccines, heat-sensitive medicine and scientific materials and etc. should not be kept in the refrigerator.
- If not to be used for a long time, refrigerator should be unplugged. A possible problem in power cable may cause fire.



- The plug's tip should be cleaned regularly with a dry cloth; otherwise, it may cause fire.
- Refrigerator may move if adjustable legs are not properly secured on the floor. Properly securing adjustable legs on the floor can prevent the refrigerator to move.
- When carrying the refrigerator, do not hold it from door handle. Otherwise, it may be snapped.
- When you have to place your product next to another refrigerator or freezer, the distance between devices should be at least 8cm. Otherwise, adjacent side walls may be humidified.

### **For products with a water dispenser;**

- In order to operate the water circuit of the refrigerator smoothly, the water mains pressure must be between 1-8 bars.

For conditions where water mains pressure exceeds 5 bars a pressure regulator should be used. If the water mains pressure exceeds 8 bars then the refrigerator's water circuit should not be connected to the water mains. If you lack the knowledge of how to measure the water mains pressure, please seek a professional support. Use drinking water only.

- Use only potable water.

### **Child safety**

- If the door has a lock, the key should be kept away from reach of children.
- Children must be supervised to prevent them from tampering with the product.

### **Compliance with WEEE Directive and Disposing of the Waste Product:**



This product complies with EU WEEE Directive (2012/19/EU). This product bears a classification symbol for waste electrical and electronic equipment

(WEEE).

This product has been manufactured with high quality parts and materials which can be reused and are suitable for recycling. Therefore, do not dispose the product with normal domestic waste at the end of its service life. Take it to a collection point for the recycling of electrical and electronic equipment. Please consult your local authorities to learn the nearest collection point. Help protect the environment and natural resources by recycling used products. For children's safety, cut the power cable and break the locking mechanism of the door, if any, so that it will be non-functional before disposing of the product.

## Package information

Packaging materials of the product are manufactured from recyclable materials in accordance with our National Environment Regulations. Do not dispose of the packaging materials together with the domestic or other wastes. Take them to the packaging material collection points designated by the local authorities.

### Do not forget...

Any recycled substance is an indispensable matter for nature and our national asset wealth.

If you want to contribute to the re-evaluation of the packaging materials, you can consult to your environmentalist organizations or the municipalities where you are located.

## HC warning

### If your product's cooling system contains R600a:

This gas is flammable. Therefore, pay attention to not damaging the cooling system and piping during usage and transportation. In the event of damage, keep your product away from potential fire sources that can cause the product catch a fire and ventilate the room in which the unit is placed.

### Ignore this warning if your product's cooling system contains R134a.

Type of gas used in the product is stated in the type label which is on the left wall inside the refrigerator.

Never throw the product in fire for disposal.

## Things to be done for energy saving

- Do not leave the doors of your refrigerator open for a long time.
- Do not put hot food or drinks in your refrigerator.
- Do not overload your refrigerator so that the air circulation inside of it is not prevented.
- Do not install your refrigerator under direct sunlight or near heat emitting appliances such as ovens, dishwashers or radiators. Keep your refrigerator at least 30cm away from heat emitting sources and at least 5cm from electrical ovens.
- Pay attention to keep your food in closed containers.

- For products with a freezer compartment; You can store maximum amount of food items in the freezer when you remove the shelf or drawer of the freezer. Energy consumption value stated for your refrigerator has been determined by removing freezer shelf or drawer and under maximum load. There is no harm to use a shelf or drawer according to the shapes and size of food to be frozen.
- Thawing frozen food in fridge compartment will both provide energy saving and preserve the food quality.

### 3 Installation

⚠ In case the information which are given in the user manual are not taken into account, manufacturer will not assume any liability for this.

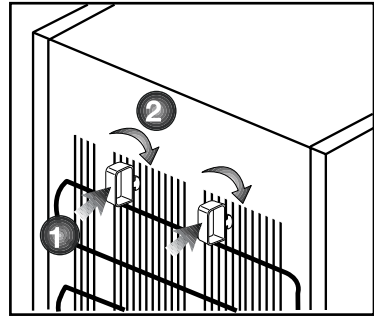
#### Points to be paid attention to when the relocation of the refrigerator

1. Your refrigerator should be unplugged. Before transportation of your refrigerator, it should be emptied and cleaned.
2. Before it is re-packaged, shelves, accessories, crisper, etc. inside your refrigerator should be fixed with adhesive tape and secured against impacts. Package should be bound with a thick tape or sound ropes and the transportation rules on the package should be strictly observed.
3. Original packaging and foam materials should be kept for future transportations or moving.

#### Before you start the refrigerator,

Check the following before you start to use your refrigerator:

1. Attach 2 plastic wedges as illustrated below. Plastic wedges are intended to keep the distance which will ensure the air circulation between your refrigerator and the wall. (The picture is drawn up as a representation and it is not identical with your product.)
2. Clean the interior of the refrigerator as recommended in the "Maintenance and cleaning" section.
3. Connect the plug of the refrigerator to the wall socket. When the fridge



door is opened, fridge internal lamp will turn on.

4. When the compressor starts to operate, a sound will be heard. The liquid and gases sealed within the refrigeration system may also give rise to noise, even if the compressor is not running and this is quite normal.
5. Front edges of the refrigerator may feel warm. This is normal. These areas are designed to be warm to avoid condensation.

#### Electrical connection

Connect your product to a grounded socket which is being protected by a fuse with the appropriate capacity.

Important:

The connection must be in compliance with national regulations.

- The power plug must be easily accessible after installation.
- Electrical safety of your refrigerator shall be guaranteed only if the earth system in your house complies with standards.
- The voltage stated on the label located at left inner side of your product should be equal to your network voltage.

- **Extension cables and multi plugs must not be used for connection.**

- ⚠ A damaged power cable must be replaced by a qualified electrician.
- ⚠ Product must not be operated before it is repaired! There is the risk of electric shock!

## Disposing of the packaging

The packing materials may be dangerous for children. Keep the packing materials out of the reach of children or dispose of them by classifying them in accordance with the waste instructions stated by your local authorities. Do not throw away with regular house waste, throw away on packaging pick up spots designated by the local authorities.

The packing of your refrigerator is produced from recyclable materials.

## Disposing of your old refrigerator

Dispose of your old refrigerator without giving any harm to the environment.

- You may consult your authorized dealer or waste collection center of your municipality about the disposal of your refrigerator.

Before disposing of your refrigerator, cut out the electric plug and, if there are any locks on the door, make them inoperable in order to protect children against any danger.

## Placing and Installation

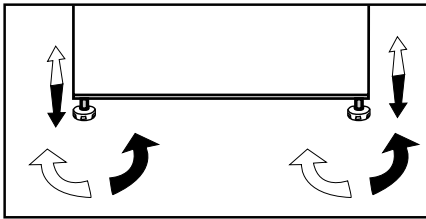
⚠ If the entrance door of the room where the refrigerator will be installed is not wide enough for the refrigerator to pass through, then call the authorized service to have them remove the doors of your refrigerator and pass it sideways through the door.

1. Install your refrigerator to a place that allows ease of use.
2. Keep your refrigerator away from heat sources, humid places and direct sunlight.
3. There must be appropriate air ventilation around your refrigerator in order to achieve an efficient operation. If the refrigerator is to be placed in a recess in the wall, there must be at least 5 cm distance with the ceiling and at least 5 cm with the wall. Do not place your product on the materials such as rug or carpet.
4. Place your refrigerator on an even floor surface to prevent jolts.

## Adjusting the legs

If your cooler/freezer is unbalanced;

You can balance your cooler/freezer by turning its front legs as illustrated in the figure. The corner where the leg exists is lowered when you turn in the direction of black arrow and raised when you turn in the opposite direction. Taking help from someone to slightly lift the cooler/freezer will facilitate this process.



## Changing the illumination lamp

To change the Bulb/LED used for illumination of your refrigerator, call your Authorized Service.

The lamp(s) used in this appliance is not suitable for household room illumination. The intended purpose of this lamp is to assist the user to place foodstuffs in the refrigerator/freezer in a safe and comfortable way.

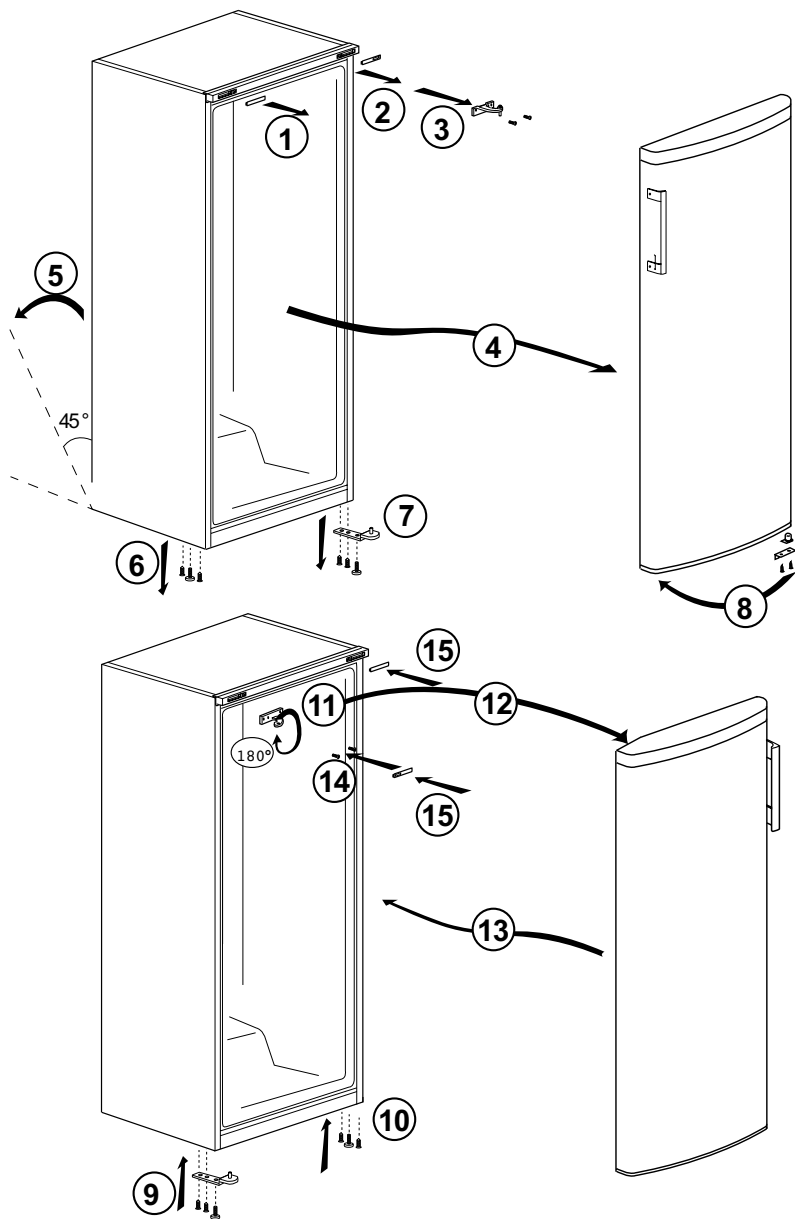
## Door Open Warning

### (This feature is optional)

An audio warning signal will be given when the door of your product is left open for at least 1 minute. This warning will be muted when the door is closed or any of the display buttons (if any) are pressed.

## Reversing the doors

Proceed in numerical order.



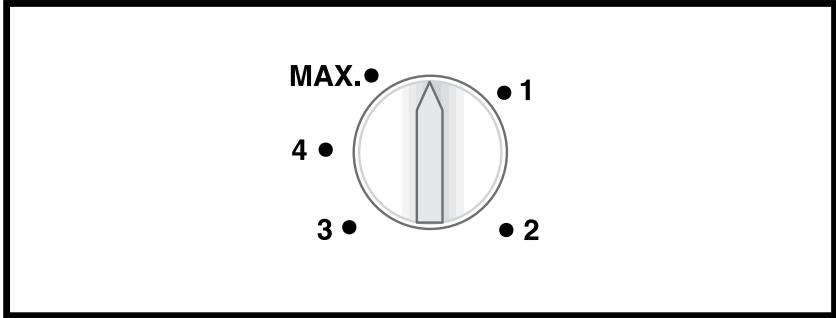
## 4 Preparation

---

- Your cooler/freezer should be installed at least 30 cm away from heat sources such as hobs, ovens, central heater and stoves and at least 5 cm away from electrical ovens and should not be located under direct sunlight.
- Please make sure that the interior of your cooler/freezer is cleaned thoroughly.
- If two coolers are to be installed side by side, there should be at least 2 cm distance between them.
- When you operate your cooler/freezer for the first time, please observe the following instructions during the initial six hours.
- Its door should not be opened frequently.
- It must be operated empty without placing any food in it.
- Do not unplug your cooler/freezer. If a power failure occurs out of your control, please see the warnings in the “Recommended solutions for the problems” section.
- This product has been designed to function at ambient temperatures up to 43 °C (90 SDgrF). Even if the ambient temperature falls to -15 °C, frozen food in the freezer does not thaw thanks to its Advanced Electronic Temperature Control System. For the first installation, the product should NOT be placed under low ambient temperatures. This is because the freezer cannot go down to standard operation temperature. When reaching continuous operation, the product can be moved to another place. Thus, later you can place your product in the garage or an unheated room without the concern of causing frozen food to get rotten. However, it is likely that above mentioned low temperatures may cause the freezing of the food in the fridge compartment; thus, please consume the food items in the fridge in a controlled way as needed. When ambient temperature goes back to normal, you may change button setting according to your need.
- If the ambient temperature is below 0°C, the food in fridge compartment will freeze. Therefore, we recommend not using the fridge compartment in such low ambient temperatures. You may continue to use the freezer compartment as usual.



## 5 Using your cooler/freezer



### Thermostat knob

The thermostat knob is located on the top trim of the cooler/freezer.

Important:

When you adjust the set temperature, there may be a short delay before the compressor starts to operate. This is normal and not a compressor fault.

### Using interior compartments

Body shelves: Distance between the shelves can be adjusted when necessary.

Crisper: Vegetables and fruits can be stored in this compartment for long periods without decaying.

Bottle shelf: Bottles, jars and tins can be placed in these shelves.

### Stopping your product

If your thermostat is equipped with "0" position:

- Your product will stop operating when you turn the thermostat button to "0" (zero) position. Your product will not start unless to you turn the thermostat button to position "1" or one of the other positions again.

If your thermostat is equipped with "min" position:

- Unplug your product to stop it.

## Cooling

### Food storage

The fridge compartment is for the short-term storage of fresh food and drinks.

Store milk products in the intended compartment in the cooler/freezer.

Bottles can be stored in the bottle holder or in the bottle shelf of the door.

Raw meat is best kept in a polyethylene bag in the compartment at the very bottom of the cooler/freezer.

Allow hot foods and beverages to cool to room temperature prior to placing them in the cooler/freezer.

- Attention

Store concentrated alcohol only standing upright and tightly closed.

- Attention

Do not store explosive substances or containers with flammable propellant gases (canned cream, spray cans etc.) in the device. There is a danger of explosion.

## Placing the food

Egg tray	Egg
Fridge compartment shelves	Food in pans, covered plates and closed containers
Fridge compartment door shelves	Small and packaged food or drinks (such as milk, fruit juice and beer)
Crisper	Vegetables and fruits

### Defrosting of the appliance

The appliance defrosts automatically.

## 6 Maintenance and cleaning

---

- ⚠ Never use gasoline, benzene or similar substances for cleaning purposes.
- ⚠ We recommend that you unplug the appliance before cleaning.
- ⚠ Never use any sharp abrasive instrument, soap, household cleaner, detergent and wax polish for cleaning.
- ℹ Use lukewarm water to clean the cabinet of your refrigerator and wipe it dry.
- ℹ Use a damp cloth wrung out in a solution of one teaspoon of bicarbonate of soda to one pint of water to clean the interior and wipe it dry.
- ⚠ Make sure that no water enters the lamp housing and other electrical items.
- ⚠ If your refrigerator is not going to be used for a long period of time, unplug the power cable, remove all food, clean it and leave the door ajar.
- ℹ Check door seals regularly to ensure they are clean and free from food particles.
- ⚠ To remove door racks, remove all the contents and then simply push the door rack upwards from the base.

- ⚠ Never use cleaning agents or water that contain chlorine to clean the outer surfaces and chromium coated parts of the product. Chlorine causes corrosion on such metal surfaces.

### Protection of plastic surfaces

- ℹ Do not put the liquid oils or oil-cooked meals in your refrigerator in unsealed containers as they damage the plastic surfaces of your refrigerator. In case of spilling or smearing oil on the plastic surfaces, clean and rinse the relevant part of the surface at once with warm water.

## 7 Troubleshooting

Please review this list before calling the service. It will save your time and money. This list includes frequent complaints that are not arising from defective workmanship or material usage. Some of the features described here may not exist in your product.

The refrigerator does not operate.

- The plug is not inserted into the socket correctly. >>>Insert the plug into the socket securely.
- The fuse of the socket which your refrigerator is connected to or the main fuse have blown out. >>>Check the fuse.

Condensation on the side wall of the fridge compartment (MULTIZONE, COOL CONTROL and FLEXI ZONE).

- Ambient is very cold. >>>Do not install the refrigerator in places where the temperature falls below 10 °C.
- Door has been opened frequently. >>>Do not open and close the door of refrigerator frequently.
- Ambient is very humid. >>>Do not install your refrigerator into highly humid places.
- Food containing liquid is stored in open containers. >>>Do not store food with liquid content in open containers.
- Door of the refrigerator is left ajar. >>>Close the door of the refrigerator.
- Thermostat is set to a very cold level. >>>Set the thermostat to a suitable level.

Compressor is not running

- Protective thermic of the compressor will blow out during sudden power failures or plug-out plug-ins as the refrigerant pressure in the cooling system of the refrigerator has not been balanced yet. The refrigerator will start running approximately after 6 minutes. Please call the service if the refrigerator does not startup at the end of this period.
- The fridge is in defrost cycle. >>>This is normal for a full-automatically defrosting refrigerator. Defrosting cycle occurs periodically.
- The refrigerator is not plugged into the socket. >>>Make sure that the plug is fit into the socket.
- Temperature settings are not made correctly. >>>Select the suitable temperature value.
- There is a power outage. >>>Refrigerator returns to normal operation when the power restores.

The operation noise increases when the refrigerator is running.

- The operating performance of the refrigerator may change due to the changes in the ambient temperature. It is normal and not a fault.

The refrigerator is running frequently or for a long time.

- New product may be wider than the previous one. Larger refrigerators operate for a longer period of time.
- The room temperature may be high. >>>It is normal that the product operates for longer periods in hot ambient.
- The refrigerator might be plugged in recently or might be loaded with food. >>>When the refrigerator is plugged in or loaded with food recently, it will take longer for it to attain the set temperature. This is normal.
- Large amounts of hot food might be put in the refrigerator recently. >>>Do not put hot food into the refrigerator.
- Doors might be opened frequently or left ajar for a long time. >>>The warm air that has entered into the refrigerator causes the refrigerator to run for longer periods. Do not open the doors frequently.
- Freezer or fridge compartment door might be left ajar. >>>Check if the doors are closed completely.
- The refrigerator is adjusted to a very low temperature. >>>Adjust the refrigerator temperature to a warmer degree and wait until the temperature is achieved.
- Door seal of the fridge or freezer may be soiled, worn out, broken or not properly seated. >>>Clean or replace the seal. Damaged/broken seal causes the refrigerator to run for a longer period of time in order to maintain the current temperature.

Freezer temperature is very low while the fridge temperature is sufficient.

- The freezer temperature is adjusted to a very low value. >>>Adjust the freezer temperature to a warmer degree and check.

Fridge temperature is very low while the freezer temperature is sufficient.

- The fridge temperature is adjusted to a very low value. >>>Adjust the fridge temperature to a warmer degree and check.

Food kept in the fridge compartment drawers is frozen.

- The fridge temperature is adjusted to a very high value. >>>Adjust the fridge temperature to a lower value and check.

Temperature in the fridge or freezer is very high.
<ul style="list-style-type: none"> <li>• The fridge temperature is adjusted to a very high value. &gt;&gt;&gt;Fridge compartment temperature setting has an effect on the temperature of the freezer. Change the temperatures of the fridge or freezer and wait until the relevant compartments attain a sufficient temperature.</li> <li>• Doors are opened frequently or left ajar for a long time. &gt;&gt;&gt;Do not open the doors frequently.</li> <li>• Door is ajar. &gt;&gt;&gt;Close the door completely.</li> <li>• The refrigerator is plugged in or loaded with food recently. &gt;&gt;&gt;This is normal. When the refrigerator is plugged in or loaded with food recently, it will take longer for it to attain the set temperature.</li> <li>• Large amounts of hot food might be put in the refrigerator recently. &gt;&gt;&gt;Do not put hot food into the refrigerator.</li> </ul>
• Vibrations or noise.
<ul style="list-style-type: none"> <li>• The floor is not level or stable. &gt;&gt;&gt; If the refrigerator rocks when moved slowly, balance it by adjusting its feet. Also make sure that the floor is strong enough to carry the refrigerator, and level.</li> <li>• The items put onto the refrigerator may cause noise. &gt;&gt;&gt;Remove the items on top of the refrigerator.</li> </ul>
There are noises coming from the refrigerator like liquid flowing, spraying, etc.
<ul style="list-style-type: none"> <li>• Liquid and gas flows occur in accordance with the operating principles of your refrigerator. It is normal and not a fault.</li> </ul>
Whistle comes from the refrigerator.
<ul style="list-style-type: none"> <li>• Fans are used in order to cool the refrigerator. It is normal and not a fault.</li> </ul>
Condensation on the inner walls of refrigerator.
<ul style="list-style-type: none"> <li>• Hot and humid weather increases icing and condensation. It is normal and not a fault.</li> <li>• Doors are opened frequently or left ajar for a long time. &gt;&gt;&gt;Do not open the doors frequently. Close them if they are open.</li> <li>• Door is ajar. &gt;&gt;&gt;Close the door completely.</li> </ul>
Humidity occurs on the outside of the refrigerator or between the doors.
<ul style="list-style-type: none"> <li>• There might be humidity in the air; this is quite normal in humid weather. When the humidity is less, condensation will disappear.</li> </ul>

#### Bad odour inside the refrigerator.

- No regular cleaning is performed. >>>Clean the inside of the refrigerator regularly with a sponge, lukewarm water or carbonate dissolved in water.
- Some containers or package materials may cause the smell. >>>Use a different container or different brand packaging material.
- Food is put into the refrigerator in uncovered containers. >>>Keep the food in closed containers. Microorganisms spreading out from uncovered containers can cause unpleasant odours.
- Remove the foods that have expired best before dates and spoiled from the refrigerator.

#### The door is not closing.

- Food packages are preventing the door from closing. >>>Replace the packages that are obstructing the door.
- The refrigerator is not completely even on the floor. >>>Adjust the feet to balance the refrigerator.
- The floor is not level or strong. >>>Make sure that the floor is level and capable to carry the refrigerator.

#### Crispers are stuck.

- The food is touching the ceiling of the drawer. >>>Rearrange food in the drawer.

## **Por favor, leia primeiro este manual!**

Caro cliente,

Esperamos que o seu produto, que foi produzido em modernas instalações e testado através de rigorosos controlos de qualidade, ofereça-lhe um serviço efectivo.

Para isso, recomendamos que leia cuidadosa e inteiramente o manual do seu produto antes de utilizá-lo e guarde-o para futuras consultas.

### **Este manual**

- Ajudá-lo-á a utilizar o seu equipamento de forma rápida e segura.
- Leia o manual antes de instalar e operar o seu equipamento.
- Siga as instruções, especialmente as relativas à segurança.
- Guarde o manual num local acessível, já que poderá precisar dele mais tarde.
- Além disso, leia também os outros documentos fornecidos com o seu produto.


Observe que este manual também pode ser válido para outros modelos.

### **Os símbolos e as suas descrições**

Este manual de instruções contém os seguintes símbolos:

 Informações importantes ou dicas úteis de utilização.

 Aviso sobre as condições de risco para a vida e a propriedade.

 Aviso sobre a voltagem eléctrica.

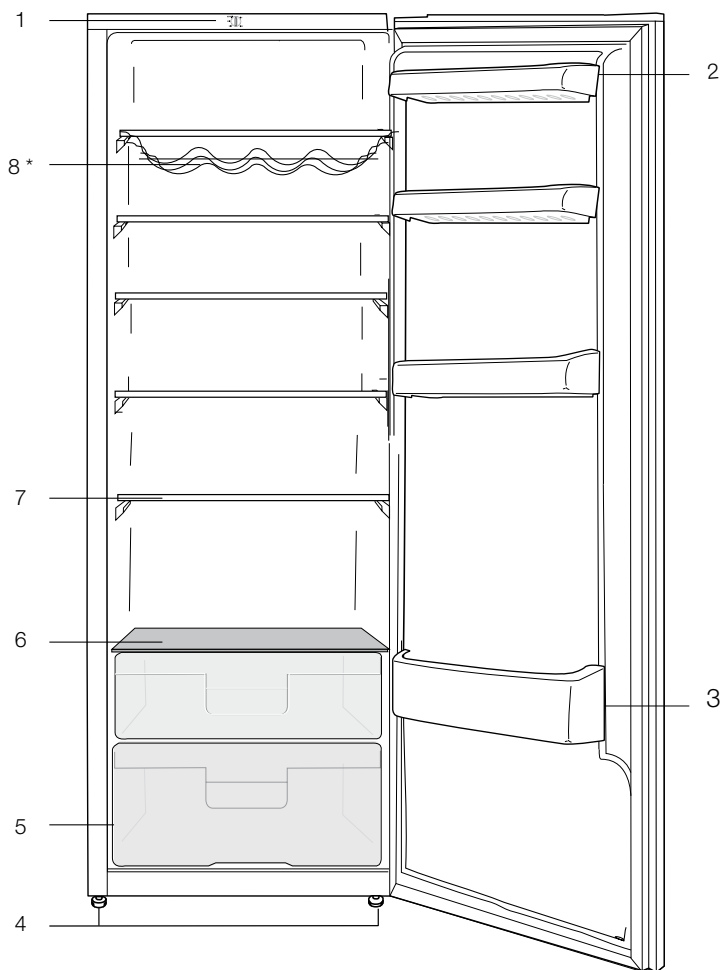


## CONTEÚDO

---

<b>1 O seu frigorífico</b>	<b>3</b>	<b>4 Preparação</b>	<b>14</b>
		Inverter as portas.....	15
<b>2 Avisos importantes de segurança</b>	<b>4</b>	<b>5 Utilizar o seu refrigerador/ congelador</b>	<b>16</b>
Uso pretendido.....	4	Usar os compartimentos interiores ..	16
Para produtos com um dispensador de água;.....	8	Para o seu produto .....	16
Segurança com crianças .....	9	Arrefecimento .....	17
Conformidade com a Directiva WEEE e Eliminação de Resíduos: .....	9	Colocação dos alimentos .....	17
Cumprimento com a Directiva RoHS: 9		<b>6 Manutenção e limpeza</b>	<b>18</b>
Informação sobre a embalagem .....	9	Protecção das superfícies plásticas	18
Aviso HC .....	9	<b>7 Soluções recomendadas para os problemas</b>	<b>19</b>
O que se pode fazer para economizar energia .....	10		
<b>3 Instalação</b>	<b>11</b>		
Pontos a serem considerados ao transportar novamente o seu frigorífico.....	11		
Antes de funcionar o seu frigorífico ..	11		
Eliminação da embalagem.....	12		
Eliminação do seu frigorífico velho ...	12		
Colocação e instalação .....	12		
Ajuste dos pés.....	13		
Aviso de porta aberta .....	13		
Substituir a lâmpada de iluminação	13		

# 1 O seu frigorífico



1. Botão do termóstato
2. Prateleiras da porta ajustáveis
3. Prateleira para garrafas
4. Pés frontais ajustáveis
5. Gaveta para frutos e legumes
6. Tampa da gaveta para frutos e legumes
7. Prateleiras amovíveis
8. Suporte para garrafas de vinho

**\* OPCIONAL**

**i** As figuras que aparecem neste manual de instruções são esquemáticas e podem não corresponder exactamente ao seu produto. Se as partes referidas não estiverem incluídas no produto que adquiriu, é porque são válidas para outros modelos.

## 2 Avisos importantes de segurança

---

Por favor, reveja as informações seguintes. A não-observância destas informações pode causar ferimentos ou danos ao material. Caso contrário, todas as garantias e compromissos de fiabilidade tornar-se-ão inválidos.

A vida útil da unidade que adquiriu é de 10 anos. Este é o período para manter as peças de reposição exigidas para a unidade a funcionarem conforme descrito.

### Uso pretendido

Este produto está concebido para ser usado

- áreas internas e fechadas como casas;
- em ambientes de trabalho fechados, como lojas e escritórios;
- em áreas de hospedagem fechadas, como casas rurais, hotéis, pensões.
- Este produto não deve ser usado em exteriores.

### Segurança geral

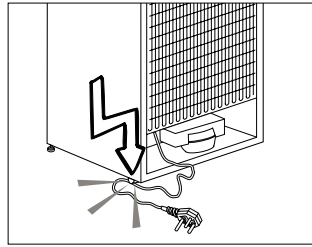
- Quando quiser eliminar/ desfazer-se do produto, recomendamos que consulte o serviço de assistência e os órgãos autorizados para obter mais informações.
- Consulte o seu serviço de assistência autorizado para todas as questões e problemas relativos ao frigorífico. Não tente reparar e nem permita que ninguém o faça sem notificar os serviços de assistência autorizados.
- Para produtos com um compartimento de congelador; Não coma cones de gelados e cubos de gelo imediatamente após retirá-los do compartimento do congelador! (Isto pode provocar queimaduras de frio na sua boca).
- Para produtos com compartimento de congelador; Não coloque bebidas líquidas enlatadas

ou engarradas no compartimento do congelador. Caso contrário, podem rebentar.

- Não toque nos alimentos congelados; podem ficar presos à sua mão.
- Desligue o seu frigorífico da tomada antes da limpeza ou descongelação.
- O vapor e materiais de limpeza vaporizados nunca deverão ser utilizados nos processos de limpeza e descongelação do seu frigorífico. Em tais casos, o vapor poderá entrar em contacto com as partes eléctricas e provocar curto-circuito ou choque eléctrico.
- Nunca use as partes do seu frigorífico, tal como a porta, como meios de apoio ou degrau.
- Não utilize dispositivos eléctricos dentro do frigorífico.
- Não danifique as partes por onde circula a refrigeração, com ferramentas perfurantes ou cortantes. O refrigerante que pode explodir quando os canais de gás do evaporador, as extensões do tubo ou os revestimentos da superfície são perfurados, causa irritações na pele ou ferimentos nos olhos.
- Não cubra ou bloqueie os orifícios de ventilação do seu frigorífico com nenhum tipo de material.
- Os dispositivos eléctricos só devem ser reparados por pessoas autorizadas. As reparações realizadas por pessoas incompetentes causam riscos ao utilizador.
- Em caso de qualquer falha quer durante uma manutenção ou num trabalho de reparação, desligue a alimentação eléctrica do seu frigorífico, desligando o fusível correspondente ou retirando a ficha da tomada.

- Não puxe pelo cabo quando for retirar a ficha da tomada.
- Coloque as bebidas com teor alcoólico mais elevado bem fechadas e na vertical.
- Nunca guarde latas de aerossol inflamáveis e substâncias explosivas no frigorífico.
- Não utilize dispositivos mecânicos ou outros para acelerar o processo de descongelação. Siga apenas as instruções recomendadas pelo fabricante.
- Este produto não se destina a ser usado por pessoas com incapacidades físicas, sensoriais ou mentais ou sem conhecimento ou experiência (incluindo crianças), a menos que sejam supervisionadas por alguém responsável pela sua segurança ou que as instrua sobre o uso do produto.
- Não utilize um frigorífico avariado. Consulte o agente autorizado se tiver qualquer questão.
- A segurança eléctrica do seu frigorífico apenas poderá ser garantida se o sistema de ligação à terra da sua casa estiver em conformidade com as normas.
- A exposição do produto à chuva, neve, sol e vento é perigosa no que toca à segurança eléctrica.
- Para evitar qualquer perigo, contacte o serviço autorizado se o cabo eléctrico estiver danificado.
- Nunca ligue o frigorífico à tomada de parede durante a instalação. Caso contrário, poderá ocorrer perigo de morte ou ferimentos graves.
- Este frigorífico foi concebido unicamente para guardar alimentos. Não deverá ser utilizado para quaisquer outros fins.
- A etiqueta das especificações técnicas está localizada na parede esquerda no interior do frigorífico.

- Nunca ligue o seu frigorífico a sistemas de poupança de electricidade, pois podem danificá-lo.
- Se houver uma luz azul no frigorífico, não olhe para ela a olho nu ou com ferramentas ópticas durante muito tempo.
- Para frigoríficos controlados manualmente, aguarde pelo menos 5 minutos para voltar a ligá-lo após uma falha eléctrica.
- Este manual de instruções deverá ser entregue ao novo proprietário do produto quando for dado/vendido a outros.
- Evite causar danos ao cabo eléctrico quando transportar o frigorífico. Dobrar o cabo pode causar incêndio. Nunca pouse objectos pesados no cabo eléctrico. Não toque na ficha com as mãos molhadas quando a introduz na tomada para ligar o produto.



- Não ligue o frigorífico à tomada, se a tomada de parede estiver solta.
- Não deverá ser vaporizado directamente nas partes interiores ou interiores do produto devido a razões de segurança.
- Para evitar risco de incêndio e explosão, não vaporize substâncias que contenham gases inflamáveis, tais como gás propano, etc., próximo ao frigorífico.
- Não coloque recipientes que contenham água sobre o topo do frigorífico, visto que tal poderá resultar em choque eléctrico ou incêndio.
- Não sobrecarregue o frigorífico com excesso de alimentos. Se sobrecarregado, os alimentos podem cair e feri-lo a si e danificar

- o frigorífico ao abrir a porta. Nunca coloque objectos no topo do frigorífico, visto que estes podem cair quando se abre ou fecha a porta do frigorífico.
- Como precisam de um controlo de temperatura exacta, as vacinas, medicamentos sensíveis ao aquecimento, materiais científicos, etc., não deverão ser guardados no frigorífico.
  - Se não for utilizado por um longo tempo, o frigorífico deve ser desligado da tomada. Qualquer problema possível no cabo eléctrico poderá resultar em incêndio.
  - A extremidade da ficha eléctrica deverá ser limpa regularmente, caso contrário, poderá provocar incêndio.
  - A extremidade da ficha eléctrica deverá ser limpa regularmente com um pano seco; caso contrário, poderá provocar incêndio.
- O frigorífico pode mover-se se os pés não estiverem devidamente fixados ao piso. O ajuste seguro e apropriado dos pés ao piso pode impedir o frigorífico se mova.
  - Ao transportar o frigorífico, não segure pelo puxador da porta. Caso contrário, pode quebrar.
  - Se posicionar o seu frigorífico próximo de outro frigorífico ou arca frigorífica, a distância entre os dispositivos deve ser de pelo menos 8 cm. Caso contrário, as paredes laterais adjacentes podem humedecer.
- Para produtos com um dispensador de água;**
- Para fazer funcionar suavemente o circuito de água do frigorífico, a pressão do abastecimento de água deve ser entre 1-8 bar. Para condições em que a pressão do abastecimento de água excede 5 bar

deve ser utilizado um regulador de pressão. Se a pressão do abastecimento de água exceder 8 bar então o circuito de água do frigorífico não deve ser ligado ao abastecimento de água. Se não tiver conhecimento sobre como medir a pressão do abastecimento de água, por favor procure ajuda profissional.

- Use apenas água potável.

### **Segurança com crianças**

- Se a porta possuir uma fechadura, a chave deverá ser mantida afastada do alcance das crianças.
- As crianças devem ser vigiadas para impedir que brinquem com o produto.

### **Conformidade com a Directiva WEEE e Eliminação de Resíduos:**

Este produto está em conformidade com a Directiva WEEE da (2012/19/EU). Este produto porta um símbolo de classificação para resíduos de equipamentos eléctricos e electrónicos (WEEE)

Este produto foi fabricado com materiais e peças de alta qualidade, que podem ser reutilizados e reciclados. No fim da sua vida útil, não



elimine o resíduo com o lixo doméstico normal ou outro lixo. Leve-o a um centro de recolha para reciclagem de equipamentos eléctricos e electrónicos. Consulte as autoridades locais para se informar sobre estes centros de recolha.

### **Cumprimento com a Directiva RoHS:**

O produto que adquiriu está em conformidade com a Directiva RoHS da UE (2011/65/EU). Ele não contém materiais perigosos e proibidos especificados na Directiva.

### **Informação sobre a embalagem**

Os materiais de embalagem do produto são fabricados a partir de materiais recicláveis, de acordo com as nossas Normas Ambientais Nacionais. Não elimine os materiais de embalagem junto com o lixo doméstico ou outro tipo de lixo. Encaminhe-os a um ponto de recolha de materiais de embalagem indicado pelas autoridades locais.

### **Aviso HC**

#### **O sistema de arrefecimento do seu produto contém R600a:**

Este gás é inflamável. Por isso, tenha cuidado em não danificar o sistema de arrefecimento e a tubagem durante o uso e transporte. No caso de algum dano, mantenha o seu produto longe de potenciais fontes de fogo que possam fazer com que o produto de incendeie e ventile o compartimento no qual a unidade está colocada.

#### **Ignore este aviso se o sistema de arrefecimento do seu produto contiver R134a:**



O tipo de gás usado no produto está indicado na placa de características localizada na parede esquerda no interior do frigorífico.

Nunca elimine o seu produto no fogo.

## **O que se pode fazer para economizar energia**

- Não deixe as portas do seu frigorífico abertas durante muito tempo.
- Não coloque alimentos ou bebidas quentes no seu frigorífico.
- Não sobrecarregue o seu frigorífico para que a circulação do ar no interior não seja dificultada.
- Não instale o seu frigorífico sob a luz solar directa ou próximo de aparelhos que emitem calor tais como fornos, máquinas de lavar louça ou radiadores.
- Tenha cuidado em manter os seus alimentos em recipientes fechados.
- Para produtos com um compartimento de congelador; Pode armazenar uma quantidade máxima de alimentos no congelador se remover a prateleira ou gaveta do congelador. O valor do consumo de energia indicado no seu frigorífico foi determinado removendo a prateleira do congelador ou a gaveta e com carga máxima. Não existe qualquer risco em utilizar uma prateleira ou gaveta de acordo com as formas e tamanhos dos alimentos a serem congelados.
- Descongelar os alimentos congelados no compartimento do frigorífico poupará energia e preservará a qualidade dos alimentos.

### 3 Instalação

⚠ Por favor, lembre-se de que o fabricante não pode ser responsabilizado se não forem observadas as informações fornecidas no manual de instruções.

#### **Pontos a serem considerados ao transportar novamente o seu frigorífico**

1. O seu frigorífico deve ser esvaziado e limpo antes de ser transportado.
2. As prateleiras, acessórios, gaveta para frutas e legumes, etc. do seu frigorífico devem ser firmemente presos com fita adesiva, devido aos solavancos antes de voltar a empacotá-lo.
3. A embalagem deve ser amarrada com fitas grossas e cordas fortes e devem ser seguidas as normas de transporte indicadas na mesma.

#### **Não se esqueça...**

Todo material reciclado é uma fonte indispensável para a natureza e para os nossos recursos nacionais.

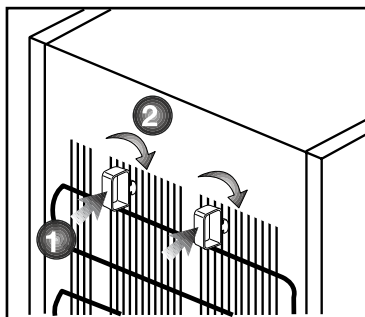
Se quiser contribuir para a reciclagem dos materiais da embalagem, pode obter mais informações nos organismos relativos ao ambiente ou junto das autoridades locais.

#### **Antes de funcionar o seu frigorífico**

Antes de iniciar a utilização do seu frigorífico, verifique o seguinte:

1. O interior do frigorífico está seco e o ar pode circular livremente na sua parte traseira?
2. Introduza os 2 calços plásticos na ventilação traseira, conforme mostrado na figura seguinte. Os

calços plásticos proporcionarão a distância necessária entre o seu frigorífico e a parede, permitindo assim a livre circulação do ar.



3. Limpe o interior do frigorífico conforme recomendado na secção “Manutenção e limpeza”.
4. Ligue o frigorífico à tomada eléctrica. A luz interior acender-se-á quando a porta do frigorífico for aberta.
5. Ouvirá um ruído quando o compressor começar a trabalhar. O líquido e os gases no interior do sistema de refrigeração também podem fazer algum ruído, mesmo que o compressor não esteja a funcionar, o que é perfeitamente normal.
6. As arestas da frente do frigorífico podem ficar quentes. Isto é normal. Estas arestas são projectadas para ficarem quentes, a fim de evitar a condensação.

#### **Ligação eléctrica**

Ligue o seu produto a uma tomada de terra, que esteja protegida por um fusível com a capacidade apropriada.

Importante:

- A ligação deve estar em concordância com os regulamentos nacionais.
- A ficha do cabo de alimentação deve estar facilmente acessível após a instalação.
- A voltagem especificada deve ser igual à sua voltagem eléctrica.
- Não devem ser usados cabos de extensão e fichas multiusos para a ligação.

⚠ Um cabo de alimentação danificado deve ser substituído por um electricista qualificado.

⚠ O produto não deve ser utilizado antes de ser reparado! Há risco de choque eléctrico!

### **Eliminação da embalagem**

Os materiais de embalagem podem ser perigosos para as crianças. Guarde os materiais da embalagem fora do alcance das crianças ou elimine-os, classificando-os de acordo com as instruções sobre o lixo. Não os elimine juntamente com o lixo doméstico normal.

A embalagem do seu frigorífico é produzida com materiais recicláveis.

### **Eliminação do seu frigorífico velho**

Elimine o seu frigorífico velho sem causar qualquer perigo ao meio ambiente.

- Pode consultar o seu revendedor autorizado ou o centro de recolha do lixo do seu município a respeito da eliminação do seu frigorífico.

Antes de se desfazer do seu frigorífico, corte a ficha eléctrica e, se houver trincos nas portas, deixe-os inutilizados, a fim de proteger as crianças contra qualquer perigo.

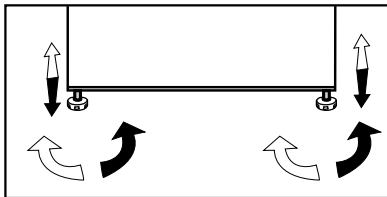
## **Colocação e instalação**

⚠ Se a porta de entrada do compartimento onde o frigorífico será instalado não for o suficientemente larga para que ele passe, chame o serviço de assistência autorizado para que possam remover as portas do seu frigorífico e passá-lo de forma inclinada através da porta.

1. Instale o seu frigorífico num local que permita fácil acesso.
2. Mantenha o seu frigorífico longe das fontes de calor, lugares húmidos e luz solar directa.
3. Deve existir uma circulação de ar adequada à volta do seu frigorífico, para que obtenha um funcionamento eficiente. Se o frigorífico for colocado numa reentrância da parede, deve haver uma distância mínima de 5cm do tecto e, pelo menos, 5 cm da parede. Se o piso for coberto por alcatifa, o seu produto deve ter uma elevação de 2,5 cm do chão.
4. Coloque o seu frigorífico num pavimento uniforme para evitar solavancos.

## Ajuste dos pés

Se o seu frigorífico estiver desnivelado; Pode equilibrar o seu frigorífico, rodando os seus pés frontais conforme ilustrado na figura. O canto onde está o pé é baixado quando roda na direcção da seta preta e levantado quando roda na direcção oposta. Peça ajuda a alguém para erguer ligeiramente o frigorífico, facilitará este processo.



## Aviso de porta aberta

Um aviso sonoro será dado quando a porta do frigorífico ou do congelador do seu produto for deixada aberta durante um certo período de tempo. O aviso sonoro silenciará ao premir qualquer botão no indicador ou ao fechar a porta.

## Substituir a lâmpada de iluminação

Para substituir a lâmpada utilizada para a iluminação do seu frigorífico, por favor chame o seu Serviço de Assistência Autorizado.

A(s) lâmpada(s) usada(s) neste aparelho não é ou não são adequada(s) para a iluminação do espaço. A finalidade desta lâmpada é auxiliar o utilizador a colocar produtos alimentares no frigorífico/congelador, de uma forma confortável e segura.

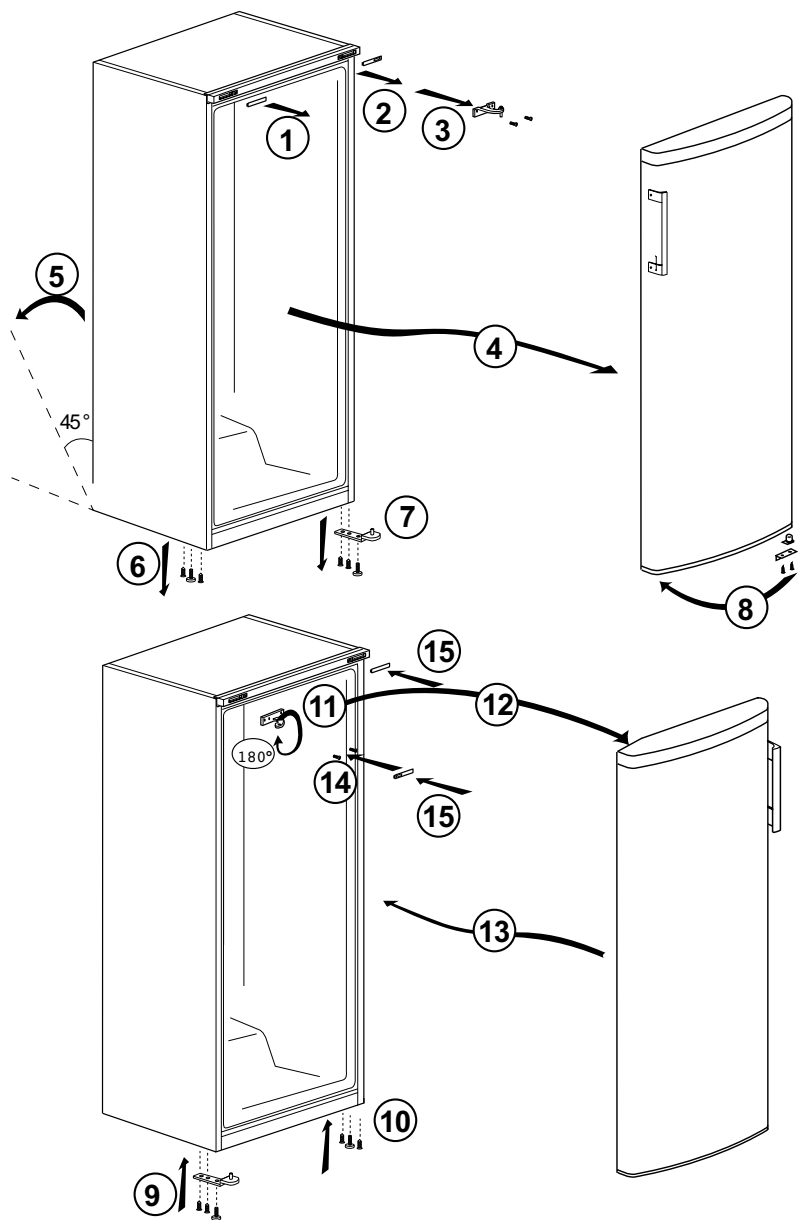
## 4 Preparação

---

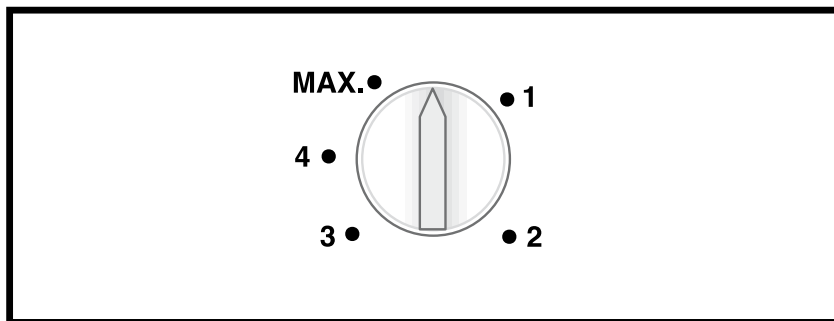
- O seu frigorífico deverá ser instalado a uma distância mínima de 30 cm de quaisquer fontes de calor, tais como placas, fornos, aquecimento central e fogões e de 5 cm de fornos eléctricos e não deverá ficar exposto directamente à luz solar.
- A temperatura ambiente do compartimento onde está instalado o seu frigorífico não deve ser inferior a 10 °C. Utilizar o seu frigorífico em condições de temperatura mais baixas não é recomendado em atenção à sua eficiência.
- Certifique-se de que o interior do seu frigorífico esteja completamente limpo.
- Se forem instalados dois frigoríficos lado a lado, deverá existir uma distância mínima de 2 cm entre eles.
- Quando utilizar o seu frigorífico pela primeira vez, por favor, observe as seguintes instruções durante as seis horas iniciais.
- A porta não deverá ser aberta frequentemente.
- Deve começar a funcionar vazio, sem alimentos no interior.
- Não retire a ficha da tomada do seu frigorífico. Se houver uma falha de energia inesperada, por favor, consulte os avisos na secção “Soluções recomendadas para os problemas”.
- A embalagem original e os materiais de esponja deverão ser guardados para transportes ou deslocações futuras.
- Os cestos/gavetas que são fornecidos com o compartimento para os frescos têm de ser sempre utilizados para um menor consumo de energia e para melhores condições de armazenamento.
- O contacto dos alimentos com o sensor de temperatura no compartimento do congelador pode aumentar o consumo de energia do aparelho. Assim deve ser evitado qualquer contacto com o(s) sensor(es).
- Nalguns modelos, o painel de instrumentos desliga-se automaticamente 5 minutos depois da porta ter sido fechada. Será reactivado quando a porta for aberta ou quando for premida qualquer tecla.

## Inverter as portas

Proceda em ordem numérica.



## 5 Utilizar o seu refrigerador/congelador



### Botão do termostato

O botão do termostato está localizado na moldura superior do congelador/frigorífico.

Importante:

Quando ajustar a temperatura definida, poderá haver um pequeno atraso antes que o compressor comece a funcionar. Esta situação é normal e não uma falha do compressor.

### Usar os compartimentos interiores

Prateleiras da estrutura: A distância entre as prateleiras pode ser ajustada quando necessário.

Gaveta para frutos e legumes:

Os frutos e vegetais podem ser armazenados neste compartimento por longos períodos, sem deteriorar.

Prateleira para garrafas: Garrafas, jarras e latas podem ser colocadas nessas prateleiras.

### Para o seu produto

Se o seu termostato estiver equipado com a posição "0":

- O seu produto parará o funcionamento ao rodar o botão do termostato para a posição "0" (zero). O seu produto não iniciará a menos que rode novamente o botão do termostato para a posição "1" ou uma das outras posições.

Se o seu termostato estiver equipado com a posição "min":

- Desligue o seu produto para o parar.

## Arrefecimento

### Armazenamento de alimentos

O compartimento do frigorífico destinase a armazenar, durante um curto período de tempo, alimentos frescos e bebidas.

Guarde os produtos lácteos no compartimento destinado para o efeito no refrigerador/congelador.

As garrafas podem ser guardadas no respectivo suporte, ou na prateleira para garrafas existente na porta.

A carne crua deve ser guardada num saco de polietileno, na parte mais inferior do refrigerador/congelador.

Deixe as bebidas e alimentos quentes arrefecerem antes de os colocar no refrigerador/congelador.

- **Atenção**

Guarde álcool concentrado apenas na vertical e hermeticamente fechado.

- **Atenção**

Não guarde substâncias explosivas nem recipientes com gases inflamáveis (natas enlatadas, aerossóis, etc.) no equipamento. Existe perigo de explosão.

## Colocação dos alimentos

Bandeja para ovos	Ovo
Prateleiras do compartimento do frigorífico	Alimentos em panelas, pratos cobertos e recipientes fechados
Prateleiras da porta do compartimento do frigorífico	Pequenos alimentos embalados ou bebidas (tais como leite, sumo de frutas e cerveja)
Gaveta para frutos e legumes	Legumes e frutas

## Descongelação do equipamento

O aparelho descongela automaticamente.



## 6 Manutenção e limpeza

- ⚠ Nunca use gasolina, benzeno ou substâncias semelhantes para a limpeza.
- ⚠ Recomendamos que desligue a ficha do equipamento da tomada antes da limpeza.
- ⚠ Nunca utilize na limpeza objectos abrasivos ou pontiagudos, sabões, produtos de limpeza doméstica, detergentes ou ceras brilhantadoras.
- ℹ Utilize água morna para limpar o exterior do seu frigorífico e seque-o com um pano.
- ℹ Utilize um pano humedecido numa solução composta por uma colher de chá de bicarbonato de soda dissolvido em cerca de meio litro de água para limpar o interior e depois seque-o.
- ⚠ Certifique-se de que não entra água no compartimento da lâmpada e nos outros itens eléctricos.
- ⚠ Se o seu frigorífico não for utilizado durante um longo período de tempo, remova o cabo de alimentação, retire todos os alimentos, limpe-o e deixe a porta entreaberta.
- ℹ Verifique regularmente as borrachas vedantes da porta, para se assegurar que elas estão limpas e sem restos de alimentos.
- ⚠ Para remover os suportes da porta, retire todo o seu conteúdo e, em seguida, basta empurrar cuidadosamente o seu suporte para cima a partir da base.

- ⚠ Nunca utilize agentes de limpeza ou água que contenha cloro para limpar as superfícies externas e as partes cromadas do produto. O cloro provoca a corrosão de tais superfícies metálicas.

### Protecção das superfícies plásticas

- ℹ Não coloque óleos líquidos ou comidas cozinhadas no óleo no seu frigorífico em recipientes abertos, uma vez que podem danificar as superfícies plásticas do seu frigorífico. No caso de derrame ou salpico de óleo nas superfícies plásticas, limpe e enxagúe a parte correspondente da superfície com água morna.

## 7 Soluções recomendadas para os problemas

Por favor, reveja esta lista antes de telefonar para a assistência. Com isso, pode poupar tempo e dinheiro. Esta lista abrange as reclamações frequentes resultantes de defeitos de fabricação ou utilização do material. Algumas das funções descritas aqui podem não existir no seu produto.

### O frigorífico não funciona

- O frigorífico tem a ficha eléctrica ligada correctamente à tomada? Introduza a ficha na tomada de parede.
- O fusível da tomada na qual o frigorífico está ligado ou o fusível principal não está queimado? Verifique o fusível.

### Condensação na parede lateral do compartimento do refrigerador (MULTIZONE, COOL CONTROL e FLEXI ZONE).

- Condições ambientais muito frias. Abertura e fecho frequentes da porta. Condições ambientais de alta humidade. Armazenamento de alimentos que contém líquidos em recipientes abertos. A porta foi deixada entreaberta. Comute o termóstato para um grau mais frio.
- Diminua o número de vezes de abertura da porta ou utilize menos frequentemente.
- Cubra os alimentos guardados em recipientes abertos com um material apropriado.
- Limpe a condensação usando um pano seco e verifique, se persistir.

### O compressor não está a funcionar.

- A protecção térmica do compressor deixará de funcionar durante falhas eléctricas repentinas ou na extracção/colocação da ficha eléctrica, já que a pressão refrigerante no sistema de arrefecimento do frigorífico ainda não se encontra estabilizada. O seu frigorífico voltará a funcionar aproximadamente 6 minutos depois. Por favor, chame a assistência se o frigorífico não começar a operar no fim deste período.
- O refrigerador está no ciclo de descongelação. Isto é normal num frigorífico de descongelação totalmente automático. O ciclo de descongelação ocorre periodicamente.
- O seu frigorífico não está ligado à tomada. Certifique-se de que a ficha está correctamente ligada à tomada.
- A regulação da temperatura está feita correctamente?
- A corrente deve ser desligada.

O refrigerador está a funcionar frequentemente ou por um longo tempo.

- O seu novo produto pode ser mais largo do que o anterior. Esta situação é perfeitamente normal. Os frigoríficos grandes operam por um período maior de tempo.
- A temperatura ambiente pode estar muito elevada. Esta situação é perfeitamente normal.
- O frigorífico foi ligado à tomada há pouco tempo ou carregado com alimentos. O arrefecimento total do frigorífico pode demorar mais do que duas horas.
- Podem ter sido colocadas recentemente grandes quantidades de alimentos quentes no frigorífico. Os alimentos quentes obrigam a um funcionamento mais vigoroso do frigorífico até que alcance a temperatura segura de armazenamento.
- As portas podem estar a ser abertas frequentemente ou foram deixadas entreabertas por longo tempo. O ar quente que entrou no frigorífico faz com que o mesmo tenha que funcionar por períodos mais longos. Abra as portas com menos frequência.
- A porta do compartimento do refrigerador ou do congelador pode ter sido deixada entreaberta. Verifique se as portas estão completamente fechadas.
- O frigorífico está ajustado para uma temperatura muito baixa. Ajuste a temperatura do frigorífico para um grau mais quente e aguarde até que a temperatura seja atingida.
- O vedante da porta do refrigerador ou do congelador pode estar sujo, gasto, roto ou não ajustado correctamente. Limpe ou substitua o vedante. O vedante danificado/roto faz com que o frigorífico funcione por um período de tempo maior para que mantenha a temperatura actual.

A temperatura do congelador está muito baixa, enquanto que a temperatura do refrigerador é suficiente.

- A temperatura do congelador está ajustada para uma temperatura muito baixa. Ajuste a temperatura do congelador para um grau mais quente e verifique.

A temperatura do refrigerador está muito baixa, enquanto que a temperatura do congelador é suficiente.

- A temperatura do refrigerador pode ter sido ajustada para uma temperatura muito baixa. Ajuste a temperatura do refrigerador para um grau mais quente e verifique.

Os alimentos guardados nas gavetas do compartimento do refrigerador estão congelados.

- A temperatura do refrigerador pode ter sido ajustada para uma temperatura muito baixa. Ajuste a temperatura do refrigerador para um grau mais quente e verifique.

#### A temperatura no refrigerador ou no congelador é muito alta.

- A temperatura do refrigerador pode ter sido ajustada para um grau muito alto. O ajuste do refrigerador tem efeito na temperatura do congelador. Altere a temperatura do refrigerador ou do congelador até que a temperatura do refrigerador ou do congelador atinja um nível suficiente.
- As portas podem estar a ser abertas frequentemente ou foram deixadas entreabertas por longo tempo; abra-as menos frequentemente.
- A porta poderá ter sido deixada entreaberta; feche-a completamente.
- Podem ter sido colocadas recentemente grandes quantidades de alimentos quentes no frigorífico. Aguarde até que o refrigerador ou o congelador atinja a temperatura desejada.
- O frigorífico pode ter sido ligado à tomada há pouco tempo. O total arrefecimento do frigorífico leva tempo.

#### O ruído de funcionamento aumenta quando o frigorífico está a funcionar.

- O desempenho de funcionamento do frigorífico pode variar devido às alterações na temperatura ambiente. Esta situação é normal e não é um problema.

#### Vibrações ou ruído.

- O piso não está nivelado ou não é resistente. O frigorífico balança quando deslocado lentamente. Certifique-se de que o piso é suficientemente forte para suportar o frigorífico, e nivelado.
- O ruído pode ser causado pelos itens colocados sobre o frigorífico. Os itens sobre o topo do frigorífico devem ser removidos.

#### Há ruídos que surgem do frigorífico como líquidos a verter ou gotejar.

- Os fluxos de gás e líquidos acontecem conforme os princípios de funcionamento do seu frigorífico. Esta situação é normal e não é um problema.

#### Há um ruído parecido com o vento a soprar.

- As ventoinhas são utilizadas para arrefecer o frigorífico. Esta situação é normal e não é um problema.

#### Condensação nas paredes internas do frigorífico.

- O tempo quente e húmido aumenta a formação de gelo e de condensação. Esta situação é normal e não é um problema.
- As portas poderão ter sido deixadas entreabertas; certifique-se que as mesmas estão completamente fechadas.
- As portas podem estar a ser abertas frequentemente ou foram deixadas entreabertas por longo tempo; abra-as menos frequentemente.

#### Há ocorrência de humidade no exterior do frigorífico ou entre as portas.

- Poderá existir humidade no ar; isto é bastante normal no tempo húmido. Quando a humidade for menor, a condensação irá desaparecer.

#### Maus odores dentro do frigorífico.

- O interior do frigorífico deve ser limpo. Limpe o interior do frigorífico com uma esponja, água morna ou água com gás.
- Alguns recipientes ou materiais de embalagem podem provocar cheiros. Utilize um recipiente diferente ou um material de embalagem de marca diferente.

#### A porta não está fechada.

- Os pacotes de alimentos podem impedir o fecho da porta. Coloque de outra forma as embalagens que estão a obstruir a porta.
- O frigorífico não está completamente na vertical no pavimento e balanceia quando ligeiramente movido. Ajuste os parafusos de elevação.
- O piso não é sólido ou não está nivelado. Certifique-se de que o piso está nivelado e capaz de suportar o frigorífico.

#### As gavetas para frutos e legumes estão bloqueadas.

- Os alimentos podem estar a tocar o tecto da gaveta. Arrume novamente os alimentos na gaveta.

## **Lea este manual antes de utilizar el frigorífico.**

Estimado cliente:

Esperamos que este producto, que ha sido fabricado en plantas dotadas de la más avanzada tecnología y sometido a los más estrictos procedimientos de control de calidad, le preste un servicio eficaz.




Para ello, le recomendamos que lea atentamente el presente manual antes de utilizar el producto, y que lo tenga a mano para futuras consultas.

### **Este manual**

- Le ayudará a usar el electrodoméstico de manera rápida y segura.
- Lea el manual antes de instalar y poner en funcionamiento el producto.
- Siga las instrucciones, en particular las relacionadas con la seguridad.
- Conserve el manual en un sitio de fácil acceso, ya que podría necesitarlo en el futuro.
- Además, lea también otros documentos suministrados junto con el producto.
- Tenga en cuenta que este manual también podría ser válido para otros modelos.

### **Símbolos y sus descripciones**

El presente manual de instrucciones emplea los siguientes símbolos:

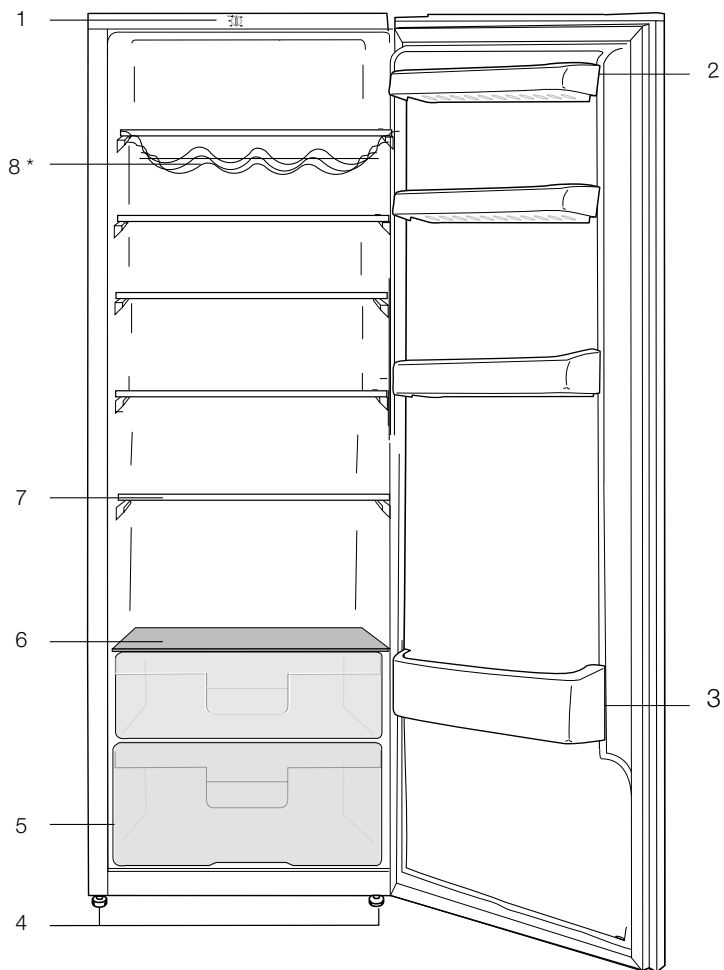
-  Información importante o consejos útiles sobre el funcionamiento.
-  Advertencia sobre situaciones peligrosas para la vida y la propiedad.
-  Advertencia acerca de la tensión eléctrica.

# ÍNDICE

---

<b>1 Su frigorífico</b>	<b>3</b>	<b>4 Preparación</b>	<b>15</b>
<b>2 Avisos importantes sobre la seguridad</b>	<b>4</b>	<b>5 Uso del frigorífico</b>	<b>16</b>
Finalidad prevista.....	4	Uso de los compartimentos interiores.....	16
Productos equipados con dispensador de agua: .....	9	Doble sistema de enfriamiento:.....	17
Seguridad infantil.....	9	Congelación de alimentos frescos ...	17
Conformidad con la normativa WEEE y eliminación del aparato al final de su vida útil: .....	9	Recomendaciones para la conservación de alimentos congelados.....	18
Cumplimiento de la directiva RoHS:...	9	Colocación de los alimentos .....	18
Información sobre el embalaje .....	9	Información sobre la congelación ....	18
Advertencia sobre la seguridad de la salud .....	9	<b>6 Mantenimiento y limpieza</b>	<b>20</b>
Consejos para el ahorro de energía .	10	Protección de las superficies de plástico.....	20
<b>3 Instalación</b>	<b>11</b>	<b>7 Sugerencias para la solución de problemas</b>	<b>21</b>
Cuestiones a considerar a la hora de transportar el frigorífico .....	11		
Antes de usar el frigorífico.....	11		
Conexiones eléctricas.....	11		
Eliminación del embalaje.....	12		
Eliminación de su viejo frigorífico.....	12		
Colocación e instalación .....	12		
Ajuste de los pies .....	13		
Cambio de la bombilla de iluminación .....	13		
Aviso de puerta abierta.....	13		
Inversión de las puertas .....	14		

# 1 Su frigorífico



- |                                        |                                        |
|----------------------------------------|----------------------------------------|
| 1. Recubrimiento delantero de plástico | 5. Cajón de frutas y verduras          |
| 2. Estantes de la puerta ajustables    | 6. Tapa del cajón de frutas y verduras |
| 3. Estante para botellas               | 7. Estantes móviles                    |
| 4. Pies delanteros ajustables          | 8. Estante para botellas               |

**\* OPCIONAL**

**ⓘ** Las ilustraciones incluidas en el presente manual de instrucciones son esquemáticas y puede que no se adecúen a su producto con exactitud. Si alguno de los elementos reflejados no se corresponde con el producto que usted ha adquirido, entonces será válido para otros modelos.



## 2 Avisos importantes sobre la seguridad

---

Lea con atención la siguiente información. No tener en cuenta dicha información podría acarrear lesiones o daños materiales. En tal caso, las garantías y los compromisos de fiabilidad quedarían anulados.

La vida útil de la unidad adquirida es de 10 años. Éste es el período durante el cual se garantiza la disponibilidad de las piezas de repuesto para la unidad.

### Finalidad prevista

Este aparato está diseñado para usarse en los siguientes entornos:

- interiores y entornos cerrados tales como domicilios particulares;
- entornos cerrados de trabajo tales como almacenes u oficinas;
- zonas de servicio cerradas tales como casas rurales, hoteles o pensiones.

- Este aparato no se debe usar al aire libre.

### Seguridad general

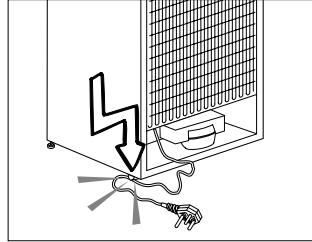
- Cuando desee deshacerse del aparato, le recomendamos que solicite a su servicio técnico autorizado la información necesaria a este respecto, así como la relación de entidades locales a las que puede dirigirse.
- En caso de dudas o problemas, diríjase a su servicio técnico autorizado. No intente reparar el frigorífico sin consultar con el servicio técnico, ni deje que nadie lo haga.
- Para aparatos equipados con un compartimento congelador: no consuma los helados o cubitos de hielo inmediatamente después de sacarlos del compartimento congelador, ya que podría sufrir daños en su boca a causa del frío.

- Para aparatos equipados con un compartimento congelador: no deposite bebidas embotelladas o enlatadas en el compartimento congelador, ya que podrían estallar.
- No toque con la mano los alimentos congelados, ya que podrían adherirse a ella.
- Desenchufe su frigorífico antes de proceder a su limpieza o deshielo.
- No utilice nunca materiales de limpieza que usen vapor para limpiar o descongelar el frigorífico. El vapor podría entrar en contacto con los elementos eléctricos y causar cortocircuitos o descargas eléctricas.
- No utilice nunca elementos del frigorífico tales como la puerta como medio de sujeción o como escalón.
- No utilice aparatos eléctricos en el interior del frigorífico.
- Evite dañar el circuito del refrigerante con herramientas cortantes o de perforación. El refrigerante que puede liberarse si se perforan los canales de gas del evaporador, los conductos o los recubrimientos de las superficies causa irritaciones en la piel y lesiones en los ojos.
- No cubra ni bloquee los orificios de ventilación de su frigorífico con ningún material.
- Deje la reparación de los aparatos eléctricos únicamente en manos de personal autorizado. Las reparaciones realizadas por personas incompetentes generan riesgos para el usuario.
- En caso de fallo o cuando vaya a realizar cualquier operación de reparación o mantenimiento, desconecte el frigorífico de la corriente apagando el fusible correspondiente o bien desenchufando el aparato.

- No desenchufe el aparato de la toma de corriente tirando del cable.
- Coloque las bebidas de mayor graduación alcohólica juntas y en posición vertical.
- No almacene en el frigorífico aerosoles que contengan sustancias inflamables o explosivas.
- No utilice dispositivos mecánicos u otros medios para acelerar el proceso de deshielo distintos de los recomendados por el fabricante.
- Este aparato no debe ser utilizado por niños o por personas con sus facultades físicas, sensoriales o mentales reducidas o bien que carezcan de la experiencia y los conocimientos necesarios, a menos que lo hagan bajo la supervisión de personas responsables de su seguridad o bien tras haber recibido instrucciones de uso por parte de dichas personas.
- No utilice un frigorífico que haya sufrido daños. Consulte con el servicio de atención al cliente en caso de duda.
- La seguridad eléctrica de su frigorífico sólo estará garantizada si el sistema de toma de tierra de su domicilio se ajusta a los estándares.
- Desde el punto de vista de la seguridad eléctrica, es peligroso exponer el aparato a la lluvia, la nieve o el viento.
- Póngase en contacto con el servicio técnico autorizado en caso de que el cable de alimentación principal se dañe, para evitar cualquier peligro.
- Nunca enchufe el frigorífico en la toma de corriente durante su instalación. Existe peligro de lesiones graves e incluso de muerte.
- Este frigorífico está únicamente diseñado para almacenar alimentos. No debe utilizarse para ningún otro propósito.

- La etiqueta que contiene los datos técnicos del frigorífico se encuentra en la parte interior izquierda del mismo.
- Jamás conecte el frigorífico a sistemas de ahorro de electricidad, ya que podría dañarlo.
- Si el frigorífico está equipado con una luz azul, no la mire a simple vista o a través de dispositivos ópticos durante un tiempo prolongado.
- En los frigoríficos de control manual, si se produce un corte del fluido eléctrico espere al menos 5 minutos antes de volver a ponerlo en marcha.
- Cuando entregue este aparato a un nuevo propietario, asegúrese de entregar también este manual de instrucciones.
- Tenga cuidado de no dañar el cable de alimentación al transportar el frigorífico. Doblar el cable podría causar un incendio.

Nunca deposite objetos pesados encima del cable de alimentación. No toque el enchufe con las manos mojadas para conectar el aparato.



- No enchufe el frigorífico si el enchufe no encaja con firmeza en la toma de corriente de la pared.
- Por razones de seguridad, no pulverice agua directamente en la partes interiores o exteriores de este aparato.
- No rocíe cerca del frigorífico sustancias que contengan gases inflamables tales como gas propano para evitar riesgos de incendio y explosiones.
- Nunca coloque recipientes con agua sobre el frigorífico, ya que podría provocar una descarga eléctrica o un incendio.

- No deposite cantidades excesivas de alimentos en el frigorífico. Si lo hace, al abrir la puerta del frigorífico los alimentos podrían caerse y provocar lesiones personales o dañar el frigorífico. Nunca coloque objetos sobre el frigorífico, ya que podrían caer al abrir o cerrar la puerta.
- No guarde en el frigorífico productos que necesiten un control preciso de la temperatura tales como vacunas, medicamentos sensibles al calor, materiales científicos, etc.
- Desenchufe el frigorífico si no lo va a utilizar durante un periodo prolongado de tiempo. Un problema en el cable de alimentación podría causar un incendio.
- Limpie regularmente la punta del enchufe, ya que de lo contrario puede provocar un incendio.
- Limpie regularmente la punta del enchufe con un paño seco; de lo contrario podría provocarse un incendio.
- El frigorífico podría moverse si los pies no están adecuadamente asentados en el suelo. Fijar adecuadamente los pies del frigorífico en el suelo puede ayudar a evitar que se mueva.
- Cuando transporte el frigorífico, no lo aferre del asa de la puerta. De lo contrario, podría romperla.
- Cuando tenga que colocar el frigorífico cerca de otro frigorífico o congelador, deberá dejar un espacio entre ambos aparatos de 8 cm como mínimo. De lo contrario, podría formarse humedad en las paredes adyacentes.

## Productos equipados con dispensador de agua:

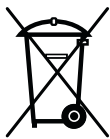
La presión de la red de suministro de agua debe ser de un mínimo de 1 bar. La presión de la red de suministro de agua debe ser de 8 bares como máximo.

- Use agua potable únicamente.

## Seguridad infantil

- Si la puerta tiene cerradura, mantenga la llave fuera del alcance de los niños.
- Vigile a los niños para evitar que manipulen el aparato.

## Conformidad con la normativa WEEE y eliminación del aparato al final de su vida útil:



Este producto es conforme con la directiva de la UE sobre residuos de aparatos eléctricos y electrónicos (WEEE) (2012/19/UE). Este producto incorpora el símbolo de la clasificación selectiva para los residuos de aparatos eléctricos y electrónicos (WEEE).

Este aparato se ha fabricado con piezas y materiales de primera calidad, que pueden ser reutilizados y son aptos para el reciclado. No se deshaga del producto junto con sus residuos domésticos normales y de otros tipos al final de su vida útil. Llévelo a un centro de reciclaje de

dispositivos eléctricos y electrónicos. Solicite a las autoridades locales información acerca de dichos centros de recogida.

## Cumplimiento de la directiva RoHS:

El producto que ha adquirido es conforme con la directiva de la UE sobre la restricción de sustancias peligrosas (RoHS) (2011/65/UE). No contiene ninguno de los materiales nocivos o prohibidos especificados en la directiva.

## Información sobre el embalaje

El embalaje del aparato se fabrica con materiales reciclables, de acuerdo con nuestro Reglamento Nacional sobre Medio Ambiente. No elimine los materiales de embalaje junto con los residuos domésticos o de otro tipo. Llévelos a un punto de recogida de materiales de embalaje designado por las autoridades locales.

## Advertencia sobre la seguridad de la salud

### Si el sistema de refrigeración de su aparato contiene R600a:

Este gas es inflamable. Por lo tanto, procure no dañar el sistema de enfriamiento ni sus conductos durante el uso o el transporte del aparato. En caso de daños, mantenga el aparato alejado de fuentes potenciales de ignición que puedan provocar que éste sufra un incendio, y ventile la estancia en la que se encuentre el aparato.

### Ignore esta advertencia si el sistema de refrigeración de su aparato contiene R134a.

El tipo de gas utilizado en el aparato se indica en la placa de datos ubicada en la pared interior izquierda del frigorífico.

Jamás arroje el aparato al fuego.

## **Consejos para el ahorro de energía**

- No deje las puertas del frigorífico abiertas durante periodos largos de tiempo.
- No introduzca alimentos o bebidas calientes en el frigorífico.
- No sobrecargue el frigorífico, ya que entorpecería la circulación del aire en su interior.
- No instale el frigorífico de forma que quede expuesto a la luz solar directa o cerca de aparatos que irradian calor tales como hornos, lavavajillas o radiadores.
- Procure depositar los alimentos en recipientes cerrados.
- Productos equipados con compartimento congelador; puede disponer del máximo volumen para el depósito de alimentos retirando el estante o el cajón del congelador. El consumo energético que se indica para su frigorífico se ha calculado retirando el estante o el cajón del congelador y en condiciones de máxima carga. No existe ningún riesgo en la utilización de un estante o cajón según las formas o tamaños de los alimentos que se van a congelar.
- Descongele los alimentos congelados en el compartimento frigorífico; ahorrará energía y preservará la calidad de los alimentos.

### 3 Instalación

⚠ Recuerde que el fabricante declina toda responsabilidad en caso de incumplimiento de las instrucciones de este manual.

#### Cuestiones a considerar a la hora de transportar el frigorífico

1. El frigorífico debe estar vacío y limpio antes de proceder a su transporte.
2. Los estantes, accesorios, el cajón de frutas y verduras, etc., deben sujetarse con cinta adhesiva antes de embalar el frigorífico para evitar que se muevan.
3. Encinte el frigorífico una vez embalado con cinta gruesa y fíjelo con cuerdas resistentes. Siga las reglas de transporte que encontrará impresas en el propio embalaje.

#### No olvide que:

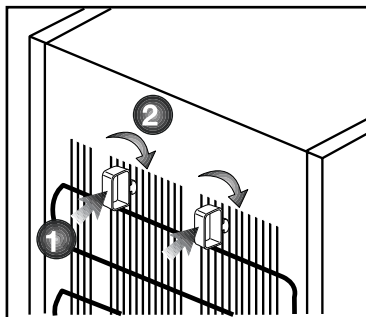
El reciclaje de materiales es un asunto de vital importancia para la naturaleza y para los recursos del país.

Si desea contribuir al reciclaje de los materiales de embalaje, solicite más información a los responsables medioambientales de su zona o a las autoridades locales.

#### Antes de usar el frigorífico

Antes de empezar a usar el frigorífico, verifique lo siguiente:

1. El interior del frigorífico está seco y el aire puede circular con libertad por su parte posterior.
2. Es posible que las aristas delanteras del aparato se noten calientes al tacto, cosa que es perfectamente normal. Estas zonas deben permanecer calientes para evitar la



condensación. El interior del frigorífico está seco y el aire puede circular con libertad por su parte posterior.

3. Introduzca 2 cuñas plásticas en la ventilación trasera, como se muestra en la figura siguiente. Las cuñas de plástico proporcionarán la distancia requerida entre su frigorífico y la pared para una correcta circulación del aire.
4. Limpie el interior del frigorífico de la forma recomendada en la sección "Mantenimiento y Limpieza".
5. Enchufe el frigorífico a la toma de corriente. Al abrir la puerta del frigorífico, la luz interior del compartimento frigorífico se enciende

#### Conexiones eléctricas

Conecte el frigorífico a una toma de corriente provista de toma de tierra y protegida por un fusible de la capacidad adecuada.

Importante:

- La conexión debe cumplir con las normativas nacionales.
- El enchufe de alimentación debe ser fácilmente accesible tras la instalación.



- La tensión especificada debe corresponder a la tensión de la red eléctrica.
- No use cables de extensión ni enchufes múltiples para conectar la unidad.

⚠ Todo cable de alimentación dañado debe ser reemplazado por un electricista cualificado.

⚠ No ponga en funcionamiento el aparato hasta que esté reparado, ya que existe peligro de cortocircuito.

### **Eliminación del embalaje**

Los materiales de empaque pueden ser peligrosos para los niños.

Manténgalos fuera de su alcance o deshágase de ellos clasificándolos según las instrucciones para la eliminación de residuos. No los tire junto con los residuos domésticos normales.

El embalaje del frigorífico se ha fabricado con materiales reciclables.

### **Eliminación de su viejo frigorífico**

Deshágase de su viejo frigorífico de manera respetuosa con el medio ambiente.

- Consulte las posibles alternativas a un distribuidor autorizado o al centro de recogida de residuos de su municipio.

Antes de proceder a la eliminación del frigorífico, corte el enchufe y, si las puertas tuvieran cierres, destrúyalos para evitar que los niños corran riesgos.

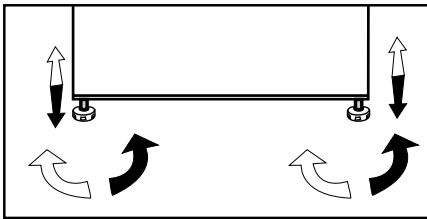
## **Colocación e instalación**

1. ⚠ Si la puerta de entrada a la estancia donde va a instalar el frigorífico no es lo suficientemente ancha como para permitir su paso, solicite al servicio técnico que retire las puertas del frigorífico y lo pase de lado a través de la puerta.
2. Instale el frigorífico en un lugar en el que pueda utilizarse con comodidad.
3. Mantenga el frigorífico alejado de fuentes de calor y lugares húmedos y evite su exposición directa a la luz solar.
4. Para que el frigorífico funcione con la máxima eficacia, debe instalarse en una zona que disponga de una ventilación adecuada. Si el frigorífico va a instalarse en un hueco de la pared, debe dejarse un mínimo de 5 cm de separación con el techo y de 5 cm con las paredes. Si el suelo está cubierto con una alfombra, deberá elevar el frigorífico 2,5 cm del suelo.
5. Coloque el frigorífico sobre una superficie lisa para evitar sacudidas.

## Ajuste de los pies

Si su frigorífico no está equilibrado:

Puede equilibrar el frigorífico girando los pies delanteros tal como se muestra en la ilustración. La esquina correspondiente al pie que está manipulando descenderá al girar el pie en la dirección de la flecha negra y se elevará al girarlo en la dirección opuesta. Le será más fácil realizar esta operación si le pide a alguien que levante ligeramente el frigorífico.



## Cambio de la bombilla de iluminación

Para cambiar la bombilla utilizada para iluminar el frigorífico, póngase en contacto con el servicio técnico autorizado.

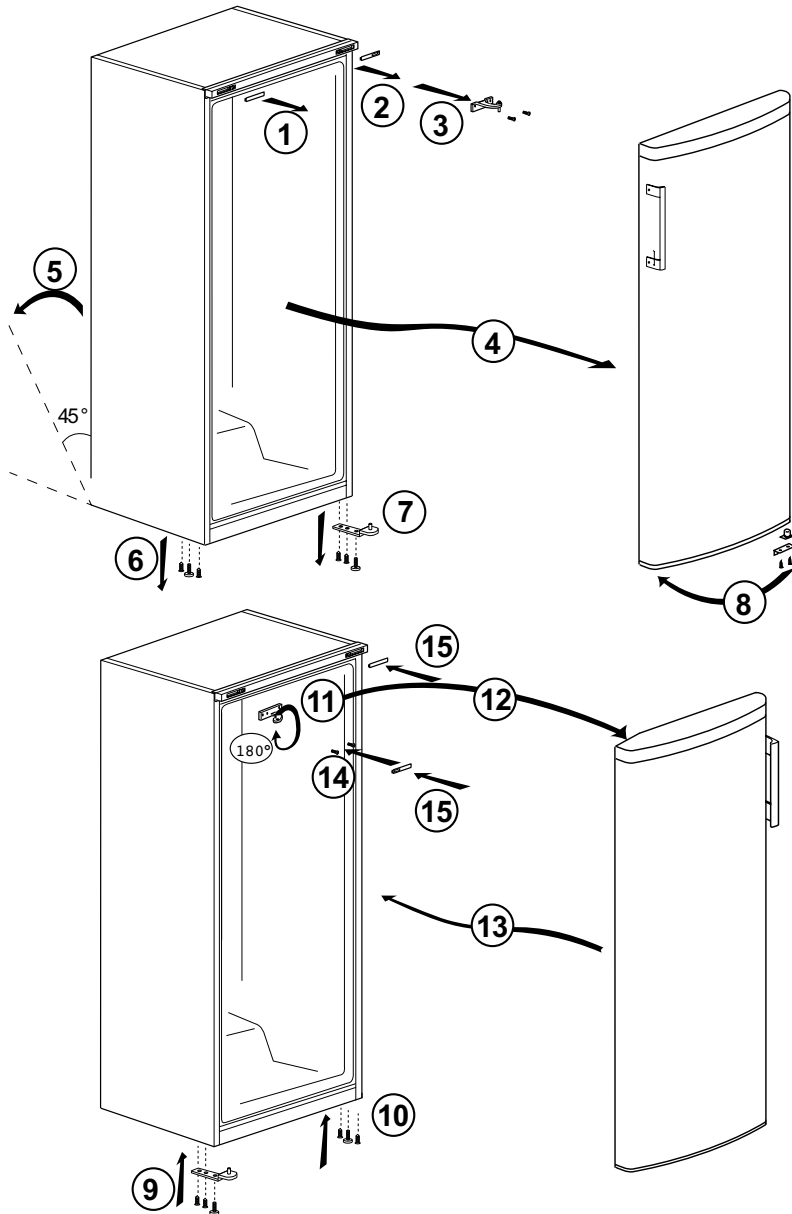
Las bombillas de este electrodoméstico no sirven para la iluminación en el hogar. Su propósito es el de ayudar al usuario a colocar los alimentos en el frigorífico o congelador de forma cómoda y segura.

## Aviso de puerta abierta

El frigorífico emitirá una señal acústica de aviso cuando la puerta del compartimento del frigorífico permanezca abierta durante un cierto periodo de tiempo. Esta señal acústica de aviso cesará cuando se pulse cualquier botón del indicador o se cierre la puerta.

# Inversión de las puertas

Proceder en orden numérico.

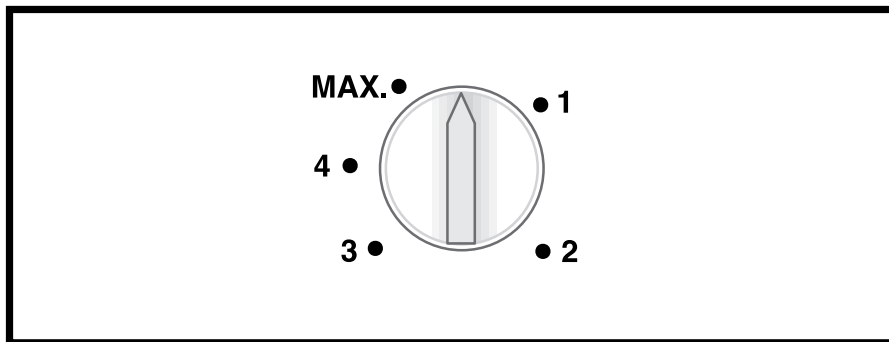


## 4 Preparación

---

- El frigorífico debe instalarse dejando una separación no inferior a 30 cm respecto a fuentes de calor tales como quemadores, hornos, calefacciones o estufas y no inferior a 5 cm con respecto a hornos eléctricos, evitando asimismo su exposición directa a la luz solar.
  - Asegúrese de limpiar meticulosamente el interior del frigorífico.
  - En caso de que vaya a instalar dos frigoríficos uno al lado del otro, debe dejar una separación no inferior a 2 cm entre ellos.
  - Al utilizar el frigorífico por primera vez, siga las siguientes instrucciones referentes a las primeras seis horas.
  - No abra la puerta con frecuencia.
  - No deposite alimentos en el interior.
  - No desenchufe el frigorífico. En caso de corte del suministro eléctrico ajeno a su voluntad, consulte las advertencias de la sección "Sugerencias para la solución de problemas".
  - Guarde el embalaje original para futuros traslados.
  - Este aparato ha sido diseñado para operar a las temperaturas indicadas en la siguiente tabla e incorpora el sistema AETCS (sistema avanzado de control electrónico de la temperatura), que garantiza que en la posición recomendada (la posición "4" del mando) los alimentos congelados contenidos en el congelador no se descongelarán incluso aunque la temperatura ambiente llegue a los -15 °C. Cuando instale el aparato por primera vez, EVITE hacerlo en estancias cuya temperatura ambiente sea baja, ya que el congelador no podrá alcanzar su temperatura normal de funcionamiento. Una vez el congelador haya alcanzado su temperatura de funcionamiento estable, podrá reubicar el aparato, instalándolo en un garaje o en cualquier otra estancia sin calefacción sin tener que preocuparse de la posibilidad de que los alimentos depositados en el congelador se estropeen. Sin embargo, a las temperaturas ambiente bajas antes citadas los alimentos depositados en el frigorífico podrían congelarse, de modo que le recomendamos que los compruebe y consuma en consecuencia. Cuando la temperatura ambiente retorne a los valores normales, podrá cambiar la posición del mando según sus necesidades.
- Si la temperatura ambiente es inferior a 0 °C, los alimentos depositados en el compartimento frigorífico se congelarán. Así pues, recomendamos que no utilice el compartimento frigorífico en tales condiciones ambientales. Sin embargo, podrá seguir utilizando el compartimento congelador con normalidad.

## 5 Uso del frigorífico



### Mando del termostato

El mando del termostato se encuentra en la moldura superior del frigorífico.

Importante:

Es posible que tras ajustar la temperatura transcurran unos instantes antes de que el compresor se ponga en marcha. Se trata de algo normal y en ningún caso debe achacarse a un fallo de funcionamiento.

### Uso de los compartimentos interiores

Estantes: la distancia entre los estantes puede ajustarse en caso necesario.

Cajón de frutas y verduras: permite almacenar frutas y verduras en perfecto estado durante largos periodos.

Estante para botellas: apto para colocar botellas, tarros y latas

### Parada del aparato

Si su termostato dispone de posición "0":

- Su aparato dejará de funcionar al poner el botón del termostato en la posición "0" (cero). El aparato no se pondrá en marcha hasta que no sitúe de nuevo el botón del termostato en la posición "1" o en cualquiera de las demás posiciones.

Si su termostato dispone de posición "min":

- Desenchufe el aparato para detener su funcionamiento.

## **Doble sistema de enfriamiento:**

Este frigorífico está equipado con dos sistemas de enfriamiento separados para enfriar el compartimento de alimentos frescos y el compartimento del congelador. De este modo, no se mezclan el aire del compartimento de alimentos frescos y el aire del compartimento del congelador. Gracias a estos dos sistemas de enfriamiento independientes, la velocidad de enfriamiento es muy superior a la de otros frigoríficos. No se mezclan los olores de los compartimentos. Además, se obtiene un ahorro de energía adicional porque el desescarche se realiza individualmente.


## **Congelación de alimentos frescos**

- Es preferible envolver o cubrir los alimentos antes de introducirlos en el frigorífico.
- Los alimentos calientes deben dejarse enfriar hasta alcanzar la temperatura ambiente antes de introducirlos en el frigorífico.
- Los alimentos que vaya a congelar deben ser frescos y estar en buen estado.
- Los alimentos deben dividirse en porciones basadas en las necesidades de consumo de la familia.
- \* Los alimentos deben empaquetarse herméticamente para evitar que se sequen, incluso aunque vayan a guardarse durante poco tiempo.
- Los materiales utilizados para empaquetar alimentos deben ser a

prueba de desgarrones y resistentes al frío, a la humedad, los olores, los aceites y los ácidos, y además deben ser herméticos. También deben estar bien cerrados y estar hechos de materiales fáciles de utilizar y aptos para su uso en congeladores.

- Los alimentos que vayan a ser congelados deben depositarse en el compartimento congelador. (No deje que entren en contacto con los alimentos previamente congelados para evitar que éstos puedan descongelarse parcialmente. La capacidad de congelación del aparato se menciona en las especificaciones técnicas del mismo).
- Respete estrictamente los tiempos de conservación de alimentos congelados que encontrará en el apartado de información sobre la congelación.
- Consuma inmediatamente los alimentos recién descongelados, y en ningún caso los vuelva a congelar.
- Para obtener los mejores resultados, se deben tener en cuenta las siguientes instrucciones.
  1. No congele cantidades demasiado grandes de una sola vez. La calidad de los alimentos se conserva mejor si la congelación alcanza su interior lo antes posible.
  2. Si se introducen alimentos calientes en el compartimento congelador, se obliga al sistema de enfriamiento a funcionar de forma continua hasta congelarlos totalmente.
  3. Ponga especial cuidado en no mezclar alimentos ya congelados con alimentos frescos.

## Recomendaciones para la conservación de alimentos congelados

- Los alimentos congelados ya envasados disponibles en los comercios deben almacenarse de acuerdo con las instrucciones de su fabricante respecto de la conservación en un compartimento congelador de  (4 estrellas).
- Si desea garantizar el mantenimiento de la calidad de los alimentos congelados proporcionada por el fabricante y por el comercio, tenga en cuenta lo siguiente:
  1. Coloque los paquetes de alimentos congelados en el congelador lo antes posible tras su compra.
  2. Asegúrese de que todos los contenidos tengan etiqueta y fecha.
  3. Respete las fechas de “Usar antes de” o “Consumir antes de” indicadas en los envases.

Si se produce un corte de corriente, no abra la puerta del congelador. Incluso si el corte de corriente tiene una duración superior al “Tiempo de aumento de temperatura” indicado en la sección de las “Especificaciones técnicas de su frigorífico”, los alimentos congelados se verán afectados. En caso de que la avería dure más, deberá comprobar el estado de los alimentos y en los casos necesarios consumirlos inmediatamente o bien cocinarlos y posteriormente volverlos a congelar.

### Deshielo

El compartimento del congelador se deshiela de manera automática.

## Colocación de los alimentos

Estantes del compartimento congelador	Alimentos congelados diversos tales como carnes, pescados, helados, verduras, etc.
Huevera	Huevos
Estantes del compartimento refrigerador	Alimentos en cazuelas, platos cubiertos y recipientes cerrados
Estantes de la puerta del compartimento refrigerador	Alimentos o bebida en envases pequeños (leche, zumos de frutas, cerveza, etc.)
Cajón de frutas y verduras	Verduras y frutas
Compartimento de alimentos frescos	Productos delicados (queso, mantequilla, embutidos, etc.)

## Información sobre la congelación

Los alimentos deben congelarse lo más rápido posible con el fin de mantenerlos en las mejores condiciones de calidad.

Los alimentos sólo pueden conservarse durante periodos prolongados de tiempo a temperaturas de  $-18^{\circ}\text{C}$  o menos.

A  $-18^{\circ}\text{C}$  o menos es posible mantener los alimentos frescos durante muchos meses en el congelador.

### **ADVERTENCIA** ⚠

- Los alimentos deben dividirse en porciones basadas en las necesidades de consumo de la familia.
- Los alimentos deben empaquetarse herméticamente para evitar que se sequen, incluso si van a guardarse durante poco tiempo.

Materiales necesarios para el empaquetado:

- Cinta adhesiva resistente al frío
- Etiquetas autoadhesivas
- Gomas elásticas
- Bolígrafo
- Los materiales utilizados para empaquetar alimentos deben ser a prueba de desgarrones y resistentes al frío, la humedad, los olores, los aceites y los ácidos.

No deje que los alimentos entren en contacto con alimentos previamente congelados, con el fin de evitar que éstos puedan descongelarse parcialmente.

Respete siempre los valores especificados en las tablas para los periodos de conservación.

Consuma inmediatamente los alimentos recién descongelados, y en ningún caso los vuelva a congelar.



## 6 Mantenimiento y limpieza

---

- ⚠ No utilice nunca gasolina, benceno o sustancias similares para la limpieza.
- ⚠ Le recomendamos desenchufar el aparato antes de proceder a su limpieza.
- ❗ No utilice nunca para la limpieza instrumentos afilados o sustancias abrasivas, jabones, limpiadores domésticos, detergentes ni ceras abrillantadoras.
- ❗ Limpie el armario del frigorífico con agua tibia y séquelo con un paño.
- ❗ Para limpiar el interior, utilice un paño humedecido en un vaso grande de agua con una cucharadita de bicarbonato sódico disuelta y séquelo con un trapo.
- ⚠ Asegúrese de que no penetre agua en el alojamiento de la lámpara ni en otros elementos eléctricos.
- ⚠ Si no va a utilizar el frigorífico durante un periodo prolongado, desenchúfelo, retire todos los alimentos, límpielo y deje la puerta entreabierta.
- ❗ Compruebe regularmente los cierres herméticos de la puerta para asegurarse de que estén limpios y sin restos de alimentos.
- ❗ Para extraer las bandejas de la puerta, retire todo su contenido y, a continuación, simplemente empuje la bandeja hacia arriba desde su base.
- ❗ Nunca use agentes de limpieza o agua que contengan cloro para limpiar las superficies exteriores y los cromados del producto, ya que el cloro corroe dichas superficies metálicas.

### Protección de las superficies de plástico

- ❗ No deposite aceites líquidos o alimentos aceitosos en recipientes no cerrados ya que dañarán las superficies de plástico de su frigorífico. En caso de derrame de aceite sobre las superficies de plástico, limpie y enjuague con agua caliente la parte afectada de inmediato.

## 7 Sugerencias para la solución de problemas

Le rogamos compruebe la siguiente lista antes de llamar al servicio técnico. Ello puede ayudarle a ahorrar tiempo y dinero. Esta lista incluye problemas frecuentes no achacables a defectos en materiales o manufactura. Es posible que algunas de las características mencionadas no estén presentes en su producto.

El refrigerador no funciona
<ul style="list-style-type: none"><li>• ¿Está el frigorífico correctamente enchufado? Inserte el enchufe en la toma de corriente.</li><li>• ¿Están fundidos el fusible principal o el fusible del enchufe al cual ha conectado el frigorífico? Revise los fusibles.</li></ul>
Condensación en la pared lateral del compartimento refrigerador. (MULTI ZONE, COOL CONTROL y FLEXI ZONE)
<ul style="list-style-type: none"><li>• Condiciones ambientales muy frías. Frecuente apertura y cierre de la puerta. Nivel alto de humedad ambiental. Almacenamiento de alimentos que contienen líquidos en recipientes abiertos. Dejar la puerta entreabierta.</li><li>• Ponga el termostato a una temperatura más baja.</li><li>• Deje la puerta abierta durante menos tiempo o ábrala con menor frecuencia.</li><li>• Cubra los alimentos almacenados en recipientes abiertos con un material adecuado.</li><li>• Enjague el agua condensada con un paño seco y compruebe si la condensación persiste.</li></ul>
El compresor no funciona
<ul style="list-style-type: none"><li>• El dispositivo térmico protector del compresor saltará en caso de un corte súbito de energía o de idas y venidas de la corriente, ya que la presión del refrigerante en el sistema de enfriamiento aún no se ha estabilizado.</li><li>• Su frigorífico se pondrá en marcha transcurridos unos 6 minutos. Llame al servicio técnico si su frigorífico no se pone en marcha transcurrido ese periodo.</li><li>• El frigorífico se encuentra en el ciclo de descongelación. Esto es normal en un frigorífico con descongelación automática. El ciclo de descongelación se produce de forma periódica.</li><li>• El frigorífico no está enchufado. Compruebe que el enchufe esté firmemente insertado en la toma de corriente.</li><li>• ¿Está la temperatura correctamente fijada? Hay un corte del fluido eléctrico. Llame a su electricista.</li></ul>

El frigorífico está en funcionamiento con frecuencia o durante periodos prolongados.

- Puede que su nuevo frigorífico sea más grande que el que tenía anteriormente. Esto es perfectamente normal. Los frigoríficos de mayor tamaño funcionan durante más tiempo.
- Es posible que la temperatura ambiente de la estancia sea más alta. Esto es perfectamente normal.
- Es posible que haya enchufado el frigorífico o bien lo haya cargado de alimentos recientemente. Puede que el frigorífico tarde unas dos horas en enfriarse por completo.
- Es posible que recientemente haya depositado grandes cantidades de alimentos en el frigorífico. Los alimentos calientes pueden ocasionar que el frigorífico trabaje durante más tiempo hasta alcanzar la temperatura de almacenamiento seguro.
- Es posible que las puertas se hayan abierto con frecuencia o que se hayan dejado entreabiertas por un tiempo prolongado. El aire caliente que ha penetrado en el frigorífico hace que éste funcione durante más tiempo. Abra las puertas con menos frecuencia.
- Es posible que la puerta del compartimento frigorífico o congelador se haya dejado entreabierta. Compruebe que las puertas estén bien cerradas.
- El frigorífico está ajustado a una temperatura muy baja. Ajuste la temperatura del frigorífico a un valor más alto y espere a que se alcance dicha temperatura.
- La junta de la puerta del compartimento frigorífico o congelador puede estar sucia, desgastada, rota o no asentada correctamente. Limpie o sustituya la junta. Una junta rota o dañada hace que el frigorífico funcione durante más tiempo con el fin de mantener la temperatura actual.

La temperatura del congelador es muy baja, mientras que la del frigorífico es correcta.

- La temperatura del congelador está ajustada a un valor muy bajo. Ajuste la temperatura del congelador a un valor más elevado y compruebe.

La temperatura del frigorífico es muy baja, mientras que la del congelador es correcta.

- La temperatura del compartimento frigorífico está ajustada a un valor muy bajo. Ajuste la temperatura del frigorífico a un valor más elevado y compruebe.

Los alimentos depositados en los cajones del compartimento frigorífico se están congelando.

- La temperatura del compartimento frigorífico está ajustada a un valor muy bajo. Ajuste la temperatura del frigorífico a un valor más elevado y compruebe.

La temperatura del congelador o el frigorífico es muy alta.

- La temperatura del frigorífico está ajustada a un valor muy alto. El ajuste de la temperatura del frigorífico afecta a la temperatura del congelador. Cambie la temperatura del frigorífico o del congelador hasta que alcance un nivel suficiente.
- Es posible que la puerta se haya quedado entreabierta. Cierre la puerta del todo.
- Es posible que recientemente haya depositado grandes cantidades de alimentos en el frigorífico. Espere hasta que el frigorífico o el congelador alcance la temperatura deseada.
- Es posible que el frigorífico haya sido enchufado recientemente. El enfriamiento completo del frigorífico lleva un tiempo debido a su tamaño.

Puede escucharse un sonido parecido al tic tac de un reloj saliendo del frigorífico.

- Este ruido procede de la electroválvula del frigorífico. La electroválvula garantiza el flujo de líquido refrigerante a través del compartimento, que puede ajustarse a temperaturas de enfriamiento o congelación así como llevar a cabo funciones de refrigeración. Esto es perfectamente normal y no es ninguna anomalía.

El nivel de ruidos propios del funcionamiento se incrementa cuando el frigorífico está en marcha.

- Las características de rendimiento del frigorífico pueden cambiar en función de las variaciones en la temperatura ambiente. Esto es perfectamente normal, no es ninguna avería.

Vibraciones o ruidos.

- El suelo no está nivelado ni es firme. El frigorífico oscila al moverlo lentamente. Compruebe que el suelo esté nivelado y sea firme y capaz de soportar el peso del frigorífico.
- El ruido puede deberse a los elementos guardados en el frigorífico. Tales objetos deben retirarse de la parte superior del frigorífico.

Pueden oírse ruidos como si un líquido se derramara o se pulverizara.

- Los líquidos y gases fluyen de acuerdo con los principios de funcionamiento del frigorífico. Esto es perfectamente normal, no es ninguna avería.

Puede oírse un ruido parecido al viento.

- Se utilizan ventiladores con el fin de hacer que el frigorífico se enfríe con eficiencia. Esto es perfectamente normal, no es ninguna avería.

Condensación en las paredes interiores del frigorífico.

- El tiempo cálido y húmedo favorece la formación de hielo y la condensación. Esto es perfectamente normal, no es ninguna avería.
- Las puertas están entreabiertas. Asegúrese de que las puertas estén completamente cerradas.
- Es posible que las puertas se hayan estado abriendo con frecuencia o que se hayan dejado abiertas durante un periodo prolongado. Abra las puertas con menor frecuencia.

Hay humedad en el exterior del frigorífico o entre las puertas.

- Puede que haya humedad ambiental. Esto es perfectamente normal en climas húmedos. Cuando el grado de humedad descienda, la condensación desaparecerá.

Mal olor en el interior del frigorífico.

- El interior del frigorífico debe limpiarse. Limpie el interior del frigorífico con una esponja empapada en agua caliente o agua con gas.
- Es posible que el olor provenga de algún recipiente o envoltorio. Utilice otro recipiente o materiales para envolver de una marca diferente.

La puerta (o puertas) no se cierra.

- Puede que los paquetes de alimentos depositados no dejen que las puertas se cierren. Recoloque los paquetes que estén obstruyendo la puerta.
- Es probable que el frigorífico no esté en posición completamente vertical sobre el suelo y que oscile si se lo mueve ligeramente. Ajuste los tornillos de elevación.
- El suelo no está nivelado o no es firme. Compruebe que el suelo esté nivelado y que sea capaz de soportar el peso del frigorífico.

Los cajones están atascados.

- Es posible que algún alimento toque el techo del cajón. Cambie la distribución de los alimentos en el cajón.

