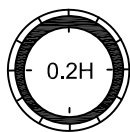
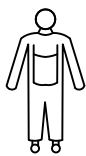
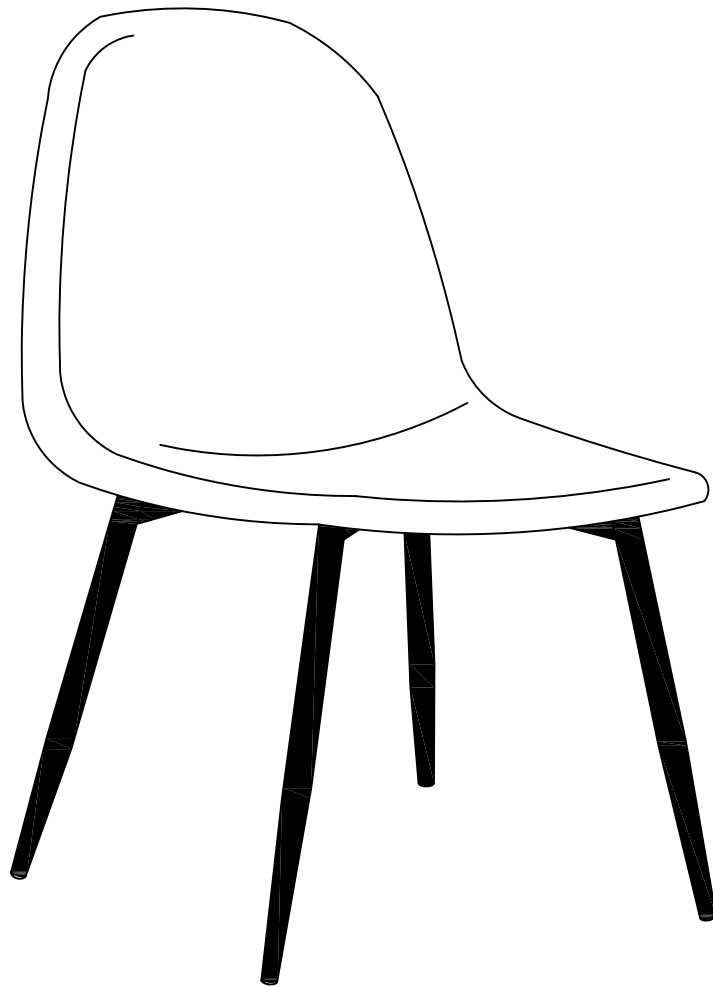
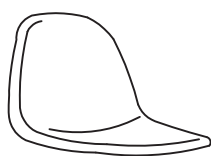
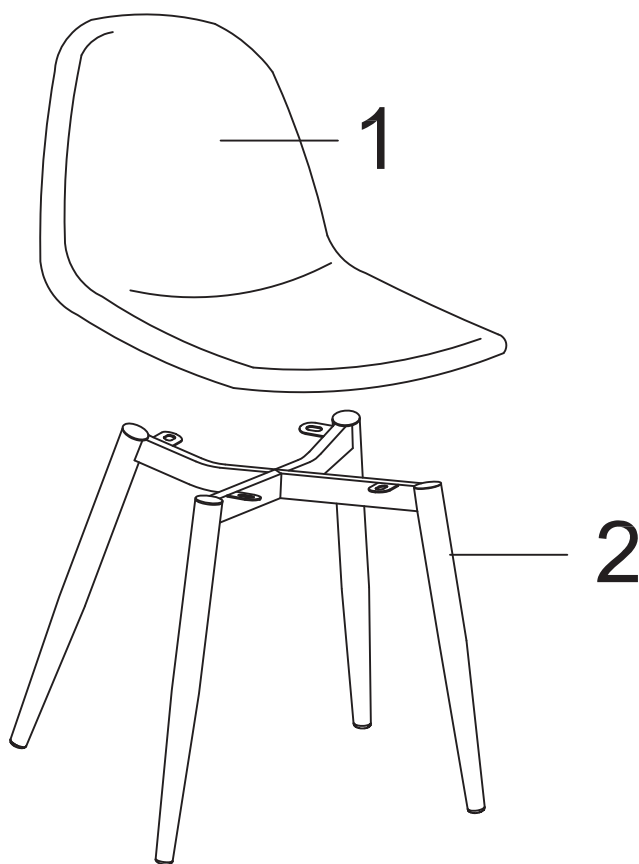


Wilma



Wilma



1(X1)



2(X1)

M6*16

A(X4)



Ø6

B(X4)

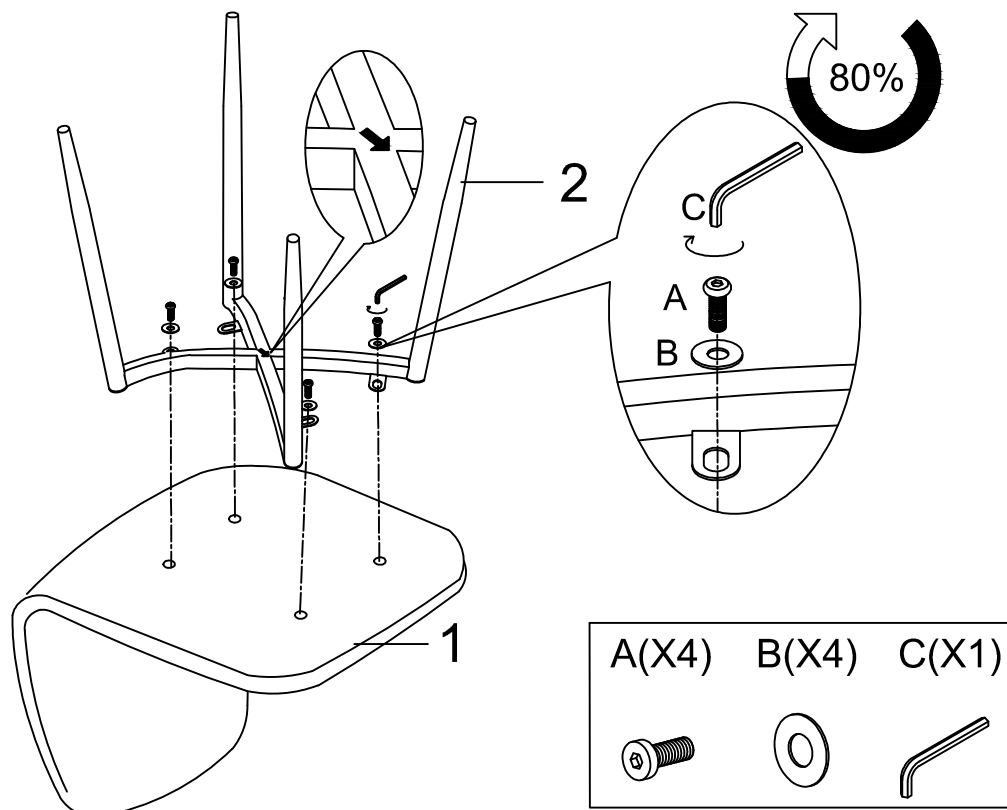


C(X1)



Wilma

1



2

