

Neonlite		Engineering Specifications of Energy Saving LED Reflector lamp			Edition:	25/Jul/2019	
Part No.	Model No.	Rating	Cap	Color Temp.	Life	Remark1	Remark2
t.b.c	LG7109v1	230V 9W	E27	2700	15,000		
t.b.c	LG7109v1	230V 9W	E27	4000	15,000		
t.b.c	LG7109v1	230V 9W	E27	6500	15,000		

1 General Data

1.1	Rated Voltage [V]	220-240
1.2	Surge Voltage [V]	500
1.3	Frequency [Hz]	50/60
1.4	Lamp Wattage [W]	9
1.5	Lamp Current [mA]	82
1.6	Power Factor	>0.5
1.7	Dimmable[N/Y]	N
1.8	Outdoor Use[N/Y]	N
1.9	DC 230V Input [N/Y]	N
1.10	Operating Temp [°C]	-30 to+40

2 Light Data [Initial]

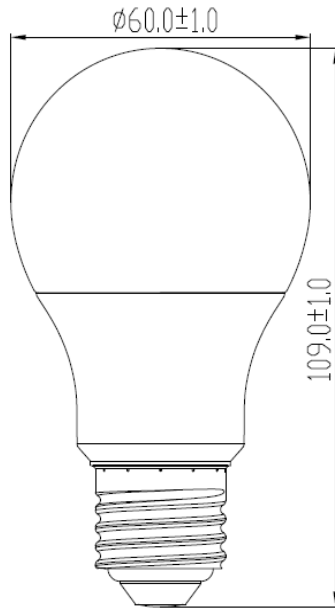
2.1	Lux distribution [lux]	t.b.c		
2.2	Max.luminous Intensity[cd]	N/A		
2.3	Beam Angle[°]	N/A		
2.4	Total lumen[lm]	810	810	810
2.5	90° Useful Lumen [lm]	N/A	N/A	N/A
2.6	120° Useful Lumen [lm]	N/A	N/A	N/A
2.7	Color Temperature [K]	2700	4000	6500
2.8	SDCM	≤6	≤6	≤6
2.9	Color Rendering Index	80	80	80
2.10	Energy class	A+		
2.11	Weighted energy consumption	9		
2.12	Equivalence Wattage(W)	60		
2.13	Lamp Efficacy	90		
2.14	LLMF	0.7		
2.15	Warm Up Time 60% [sec]	Instant full light		
2.16	Starting Time [sec]	<0.5		
2.17	Warning for lamp >90 deg	N		
2.18	Inrush current Ipeak(A)	t.b.c		
2.19	Inrush current Twidth(uS)	t.b.c		
2.20	Percentage Flicker(%)	N/A		
2.21	EEl	0.14		

3 Life Time [at 230V, lot size min. 20 units]

3.1	Life Time at 230V, 25°C [h]	15,000
3.2	Switching cycle up to 50% failure (30s on, 30s off) [cycles]	>100,000

4 Geometrical Data

4.1	Diameter (R) [mm]	60 ± 1.0
4.2	Diagonal(D) [mm]	N/A
4.3	Width(W) [mm]	N/A
4.4	Height(H)[mm]	N/A
4.5	Length (L) [mm]	109 ± 1.0
4.6	Weight [g]	$28 \pm 5\%$
4.7	Base	E27
4.8	RoHS	Compliant
4.9	Color of plastic component	Grey
4.10	Cover finish	P
4.11	Flammability of plastic component	94-HB
5	Technical Data	
5.1	Safety Requirement	according to IEC/EN 62560
5.2	Photobiological Safety	according to IEC/EN 62493
5.3	Performance Requirement	according to IEC/EN62471
5.4	EMC Requirement	according to ERP 244
		according to IEC 62612
		according to EN 55015
		according to IEC/EN 61547
		according to IEC/EN 61000-3-2
		according to IEC/EN 61000-3-3
5.5	Approvals	CE
5.6	Lamp cap twist safe[Nm]	3



Prepared by (Engineer)	Checked by (Project Manager)	Approved by (R&D Manager)
Date: 25/Jul/2019	Date: 25/Jul/2019	Date: 25/Jul/2019
Page 2 of 2	Superseded spec. dated:	Second edition

Neonlite		Engineering Specifications of Energy Saving LED Reflector lamp			Edition:	23/Oct/2019	
Part No.	Model No.	Rating	Cap	Color Temp.	Life	Remark1	Remark2
t.b.c	LG240115-OPv00	230V 11.5W	E27	2700	15,000		
t.b.c	LG240115-OPv00	230V 11.5W	E27	4000	15,000		
t.b.c	LG240115-OPv00	230V 11.5W	E27	6500	15,000		

1 General Data

1.1	Rated Voltage [V]	220-240
1.2	Surge Voltage [V]	500
1.3	Frequency [Hz]	50/60
1.4	Lamp Wattage [W]	11.5
1.5	Lamp Current [mA]	100
1.6	Power Factor	>0.5
1.7	Dimmable[N/Y]	N
1.8	Outdoor Use[N/Y]	N
1.9	DC 230V Input [N/Y]	N
1.10	Operating Temp [°C]	-30 to+40

2 Light Data [Initial]

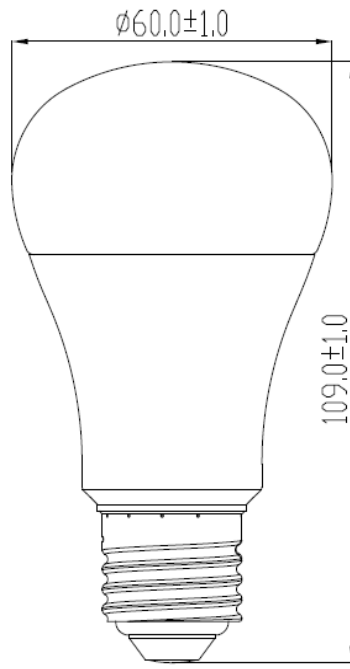
2.1	Lux distribution [lux]	t.b.c		
2.2	Max.luminous Intensity[cd]	N/A		
2.3	Beam Angle[°]	N/A		
2.4	Total lumen[lm]	1055	1055	1055
2.5	90° Useful Lumen [lm]	N/A	N/A	N/A
2.6	120° Useful Lumen [lm]	N/A	N/A	N/A
2.7	Color Temperature [K]	2700	4000	6500
2.8	SDCM	≤6	≤6	≤6
2.9	Color Rendering Index	80	80	80
2.10	Energy class	A+		
2.11	Weighted energy consumption	12		
2.12	Equivalence Wattage(W)	75		
2.13	Lamp Efficacy	92		
2.14	LLMF	0.7		
2.15	Warm Up Time 60% [sec]	Instant full light		
2.16	Starting Time [sec]	<0.5		
2.17	Warning for lamp >90 deg	N		
2.18	Inrush current Ipeak(A)	t.b.c		
2.19	Inrush current Twidth(uS)	t.b.c		
2.20	Percentage Flicker(%)	N/A		
2.21	EEl	0.14		

3 Life Time [at 230V, lot size min. 20 units]

3.1	Life Time at 230V, 25°C [h]	15,000
3.2	Switching cycle up to 50% failure (30s on, 30s off) [cycles]	>100,000

4 Geometrical Data

4.1	Diameter (R) [mm]	60±1.0
4.2	Diagonal(D) [mm]	N/A
4.3	Width(W) [mm]	N/A
4.4	Height(H)[mm]	N/A
4.5	Length (L) [mm]	109±1.0
4.6	Weight [g]	45±5%
4.7	Base	E27
4.8	RoHS	Compliant
4.9	Color of plastic component	White
4.10	Cover finish	P
4.11	Flammability of plastic component	94-HB
5	Technical Data	
5.1	Safety Requirement	according to IEC/EN 62560
5.2	Photobiological Safety	according to IEC/EN 62493
5.3	Performance Requirement	according to IEC/EN62471
5.4	EMC Requirement	according to ERP 244
		according to IEC 62612
		according to EN 55015
		according to IEC/EN 61547
		according to IEC/EN 61000-3-2
		according to IEC/EN 61000-3-3
5.5	Approvals	CE
5.6	Lamp cap twist safe[Nm]	3



Prepared by (Engineer)	Checked by (Project Manager)	Approved by (R&D Manager)
Date: 23/Oct/2019	Date: 23/Oct/2019	Date: 23/Oct/2019
Page 2 of 2	Superseded spec. dated:	Second edition