

Neonlite		Engineering Specifications of Energy Saving LED Reflector lamp			Edition:	3-Mar-2016	
Part No.	Model No.	Rating	Cap	Color Temp.	Life	Remark1	Remark2
955YB030B1AW-01	LR4604.5LN-WFL	230V 4.5W	GU10	2800	15,000		
955YB031B1AW-01	LR4604.5LN-WFL	230V 4.5W	GU10	4000	15,000		
955YB032B1AW-01	LR4604.5LN-WFL	230V 4.5W	GU10	6500	15,000		

1 General Data

1.1	Rated Voltage [V]	220-240
1.2	Wide Voltage Range[V]	180-260
1.3	Surge Voltage [V]	500
1.4	Frequency [Hz]	50/60
1.5	Operating frequency [Hz]	>40K
1.6	Lamp Wattage [W]	4.5
1.7	Lamp Current [mA]	39
1.8	Power Factor	>0.5
1.9	Dimmable[N/Y]	N
1.10	Outdoor Use[N/Y]	N
1.11	DC 230V Input [N/Y]	Y
1.12	Operating Temp [°C]	-30 to+40

2 Light Data [Initial]

2.1	Lux distribution [lux]	see the attachment		
2.2	Max.luminous Intensity[cd]	800		
2.3	Beam Angle[°]	35		
2.4	Total lumen[lm]	360	360	360
2.5	90° Useful Lumen[lm]	345	345	345
2.6	120° Useful Lumen[lm]	N/A	N/A	N/A
2.7	Color Temperature [K]	2800	4000	6500
2.8	SDCM	≤6	≤6	≤6
2.9	Color Rendering Index	80	80	80
2.10	Energy class	A+		
2.11	Weighted energy consumption	5		
2.12	Equivalence Wattage(W)	50		
2.13	Lamp Efficacy	80		
2.14	LLMF	0.7		
2.15	Warm Up Time 60%[sec]	Instant full light		
2.16	Starting Time[sec]	<0.5		
2.17	Warning for lamp >90 deg	N		

3 Life Time [at 230V, lot size min. 20 units]

3.1	Life Time at 230V, 25 °C [h]	15,000
3.2	Switching cycle up to 50% failure (30s on, 30s off) [cycles]	>1,000,000

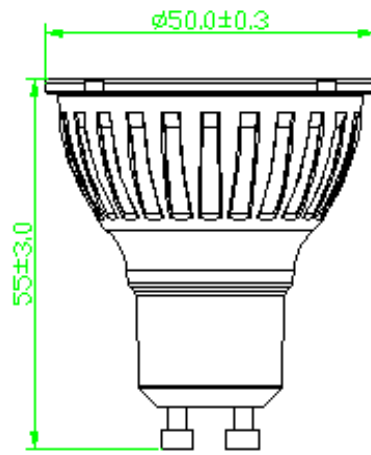
4 Geometrical Data

4.1	Diameter (R) [mm]	50±0.3
4.2	Diagonal(D)[mm]	N/A

- 4.3 Width(W)[mm]
- 4.4 Height(H)[mm]
- 4.5 Length (L) [mm]
- 4.6 Weight [g]
- 4.7 Base
- 4.8 RoHS
- 4.9 Color of plastic component
- 4.10 Cover finish
- 4.11 Flammability of plastic component

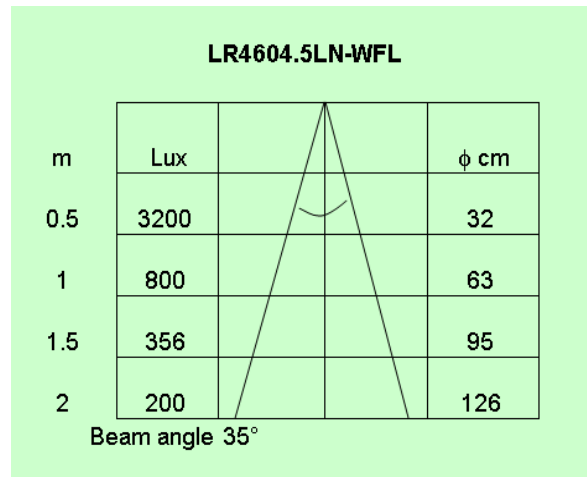
5 Technical Data

- 5.1 Safety Requirement
- 5.2 Photobiological Safety
- 5.3 Performance Requirement
- 5.4 EMC Requirement
- 5.5 Approvals
- 5.6 Lamp cap twist safe[Nm]



- N/A
- N/A
- 55±3.0
- 32±5%
- GU10
- Compliant
- white
- Clear
- 94-HB

- according to IEC/EN 62560
- according to IEC/EN 62493
- according to IEC/EN62471
- according to ERP 1194
- according to IEC 62612
- according to EN 55015
- according to IEC/EN 61547
- according to IEC/EN 61000-3-2
- according to IEC/EN 61000-3-3
- CE
- 2



Prepared by (Engineer) 洪志跃 张品良	Checked by (Project Manager)	Approved by (R&D Manager) 肖丽华
Date: 3-Mar-2016	Date: 3-Mar-2016	Date: 3-Mar-2016
Page 2 of 2	Superseded spec. dated:	Second edition