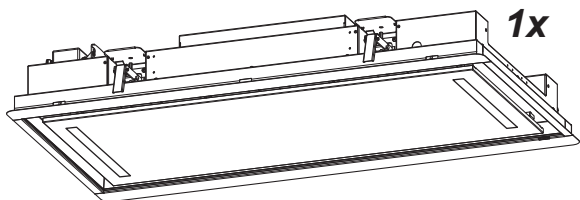
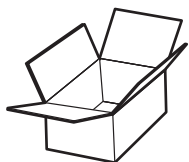
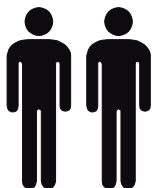


Haier

- EN** Instruction on mounting and use
- FR** Notice de montage et mode d'emploi
- ES** Montaje y modo de empleo
- PT** Instruções para montagem e utilização
- DE** Montage- und Bedienungsanleitung
- NL** Instructies voor montage en gebruik
- PL** Instrukcja montażu i użytkowania



1x



1x



2x



1x



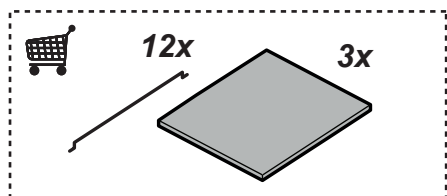
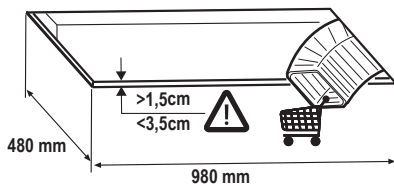
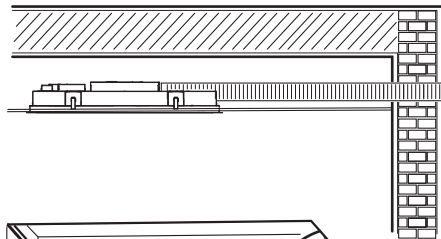
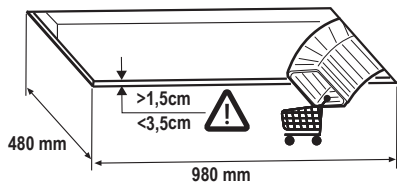
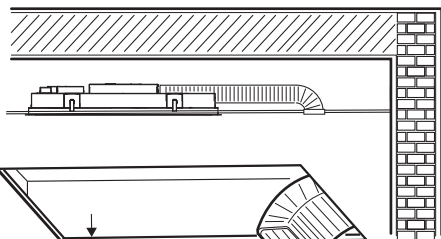
4x



1x

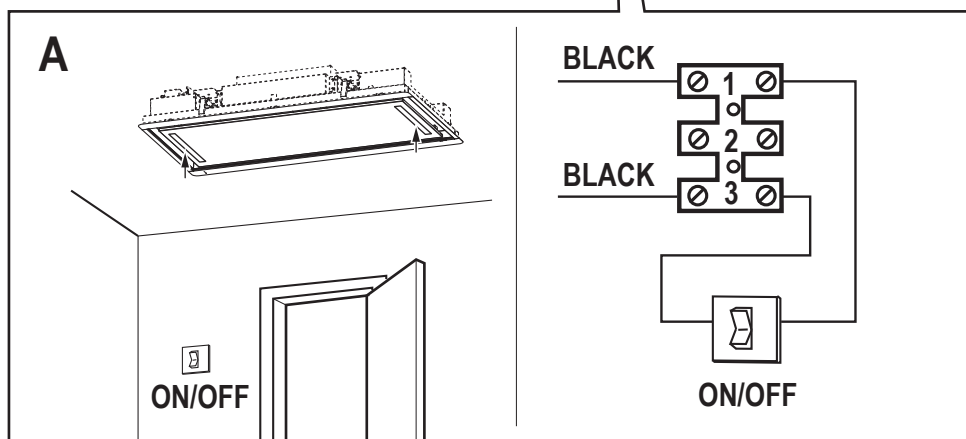
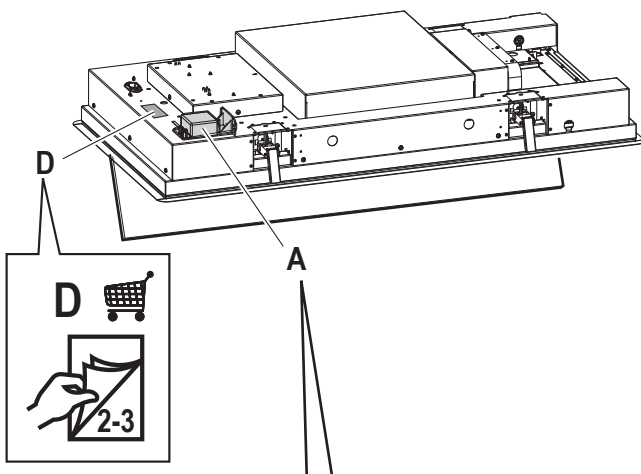
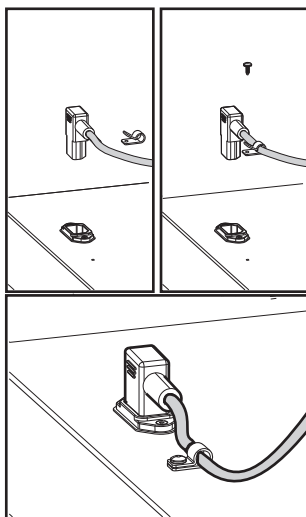


1x



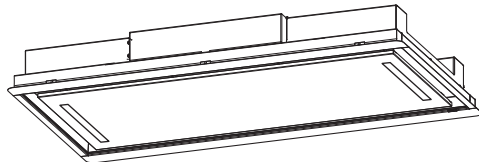
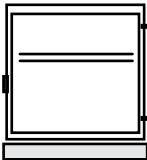
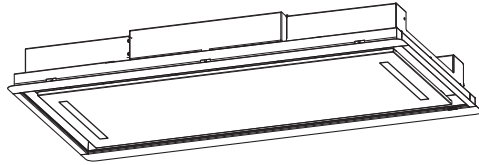
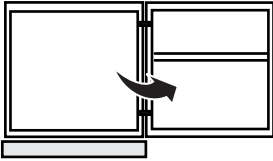
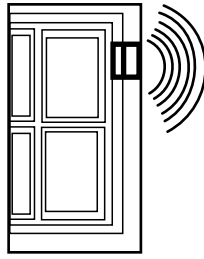


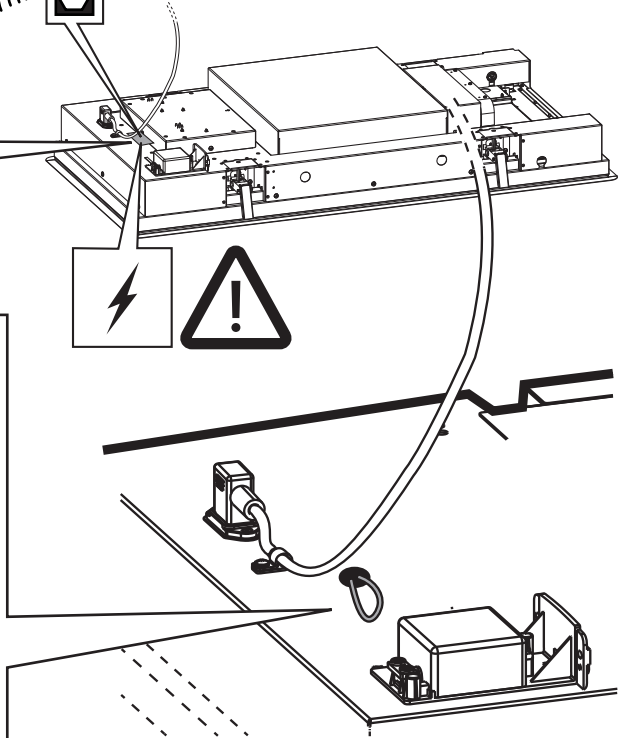
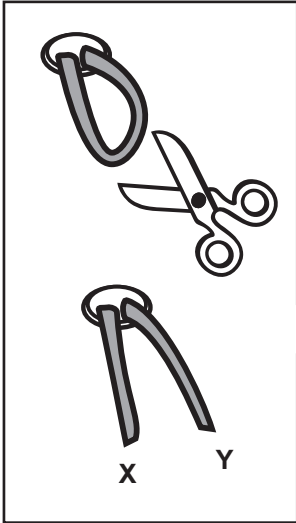
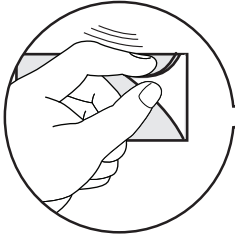
1x 1x



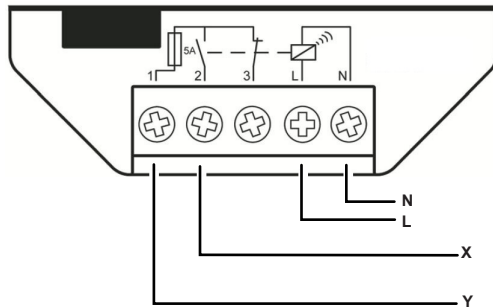


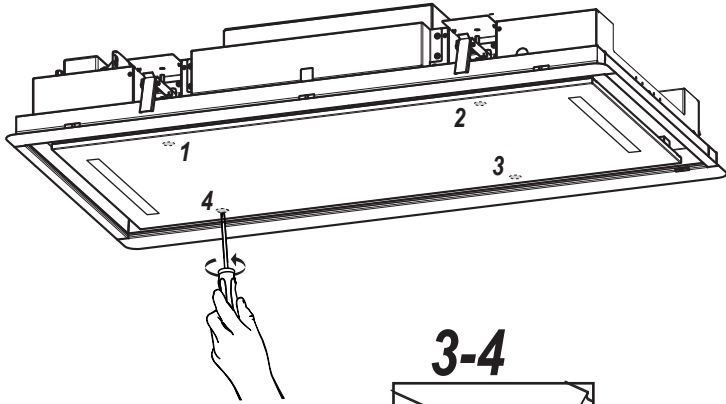
D  **KIT WINDOW**



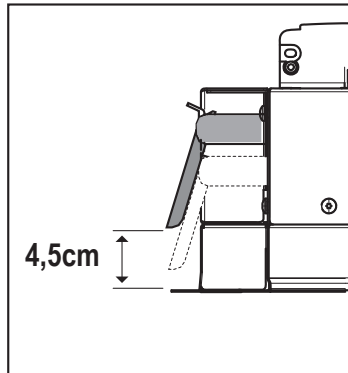
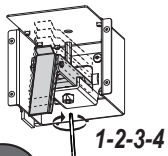
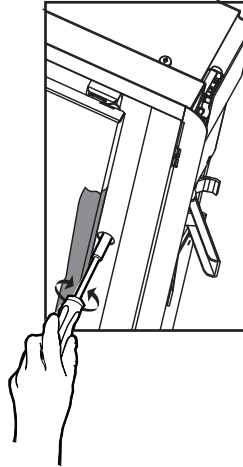


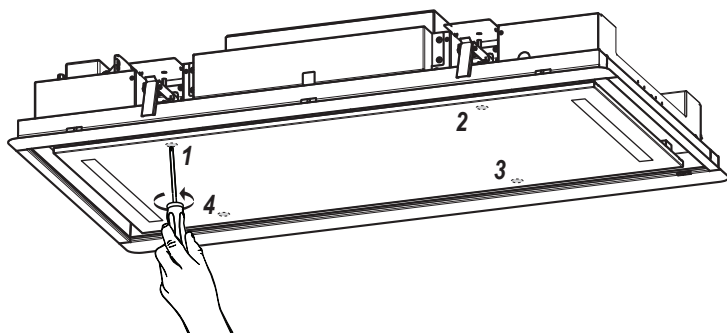
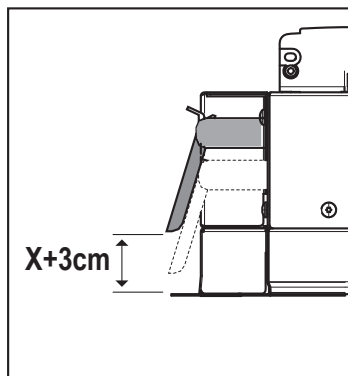
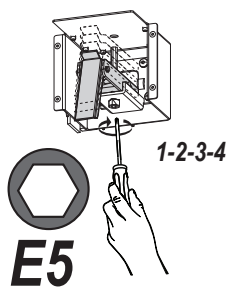
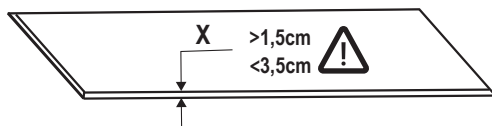
KIT WINDOW

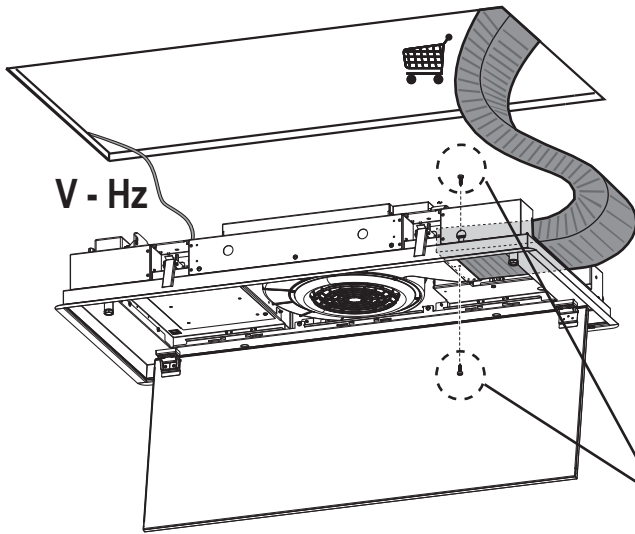
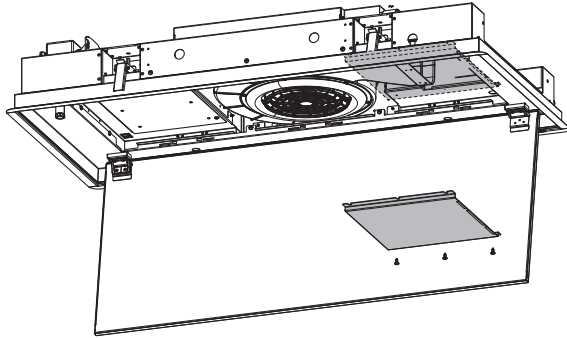
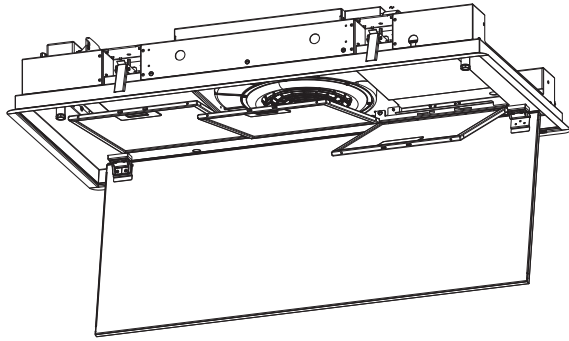
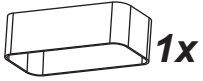




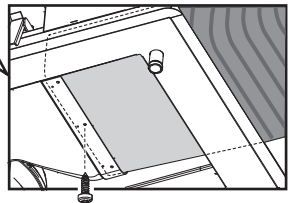
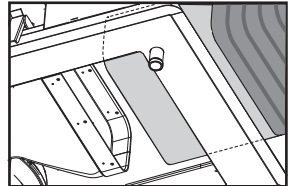
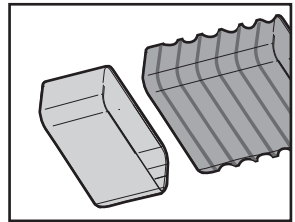
3-4

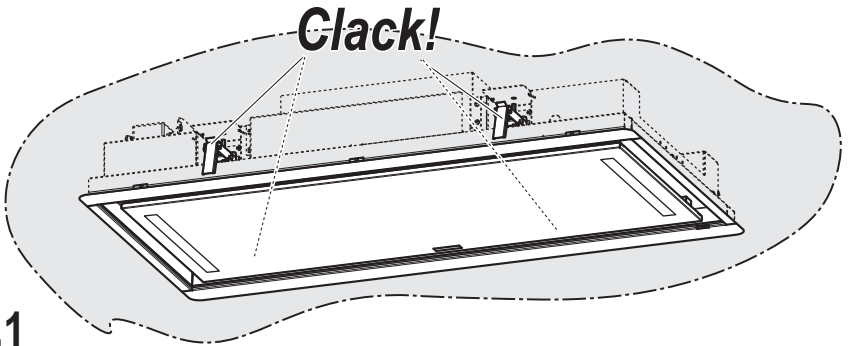
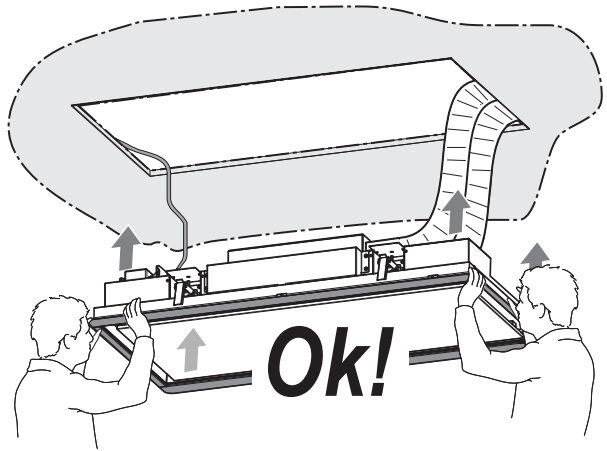
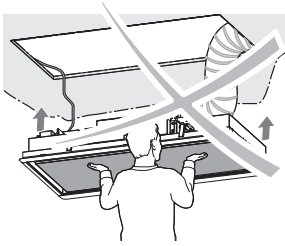




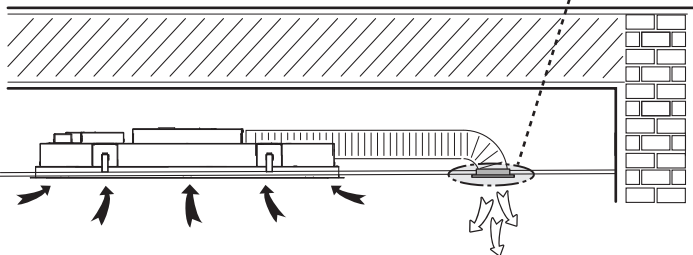
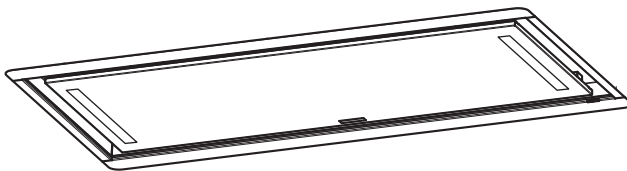


V - Hz

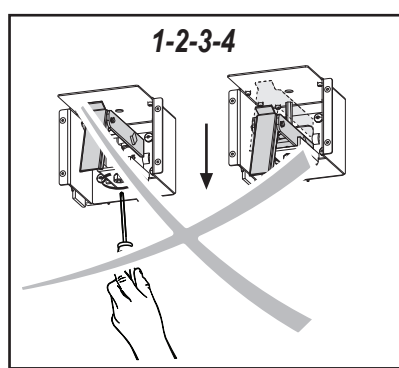
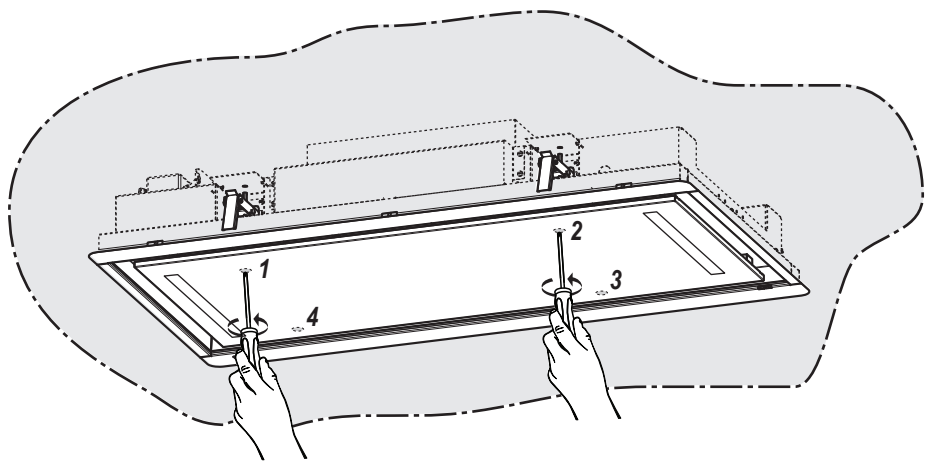
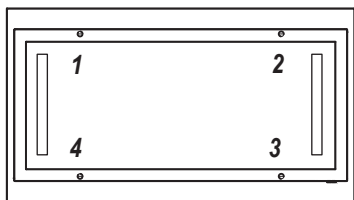




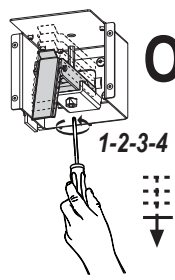
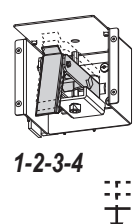
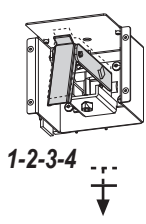
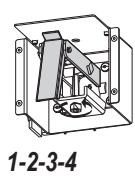
6.1



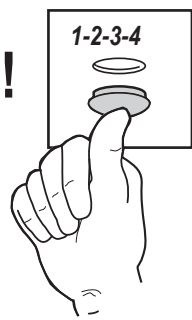
7

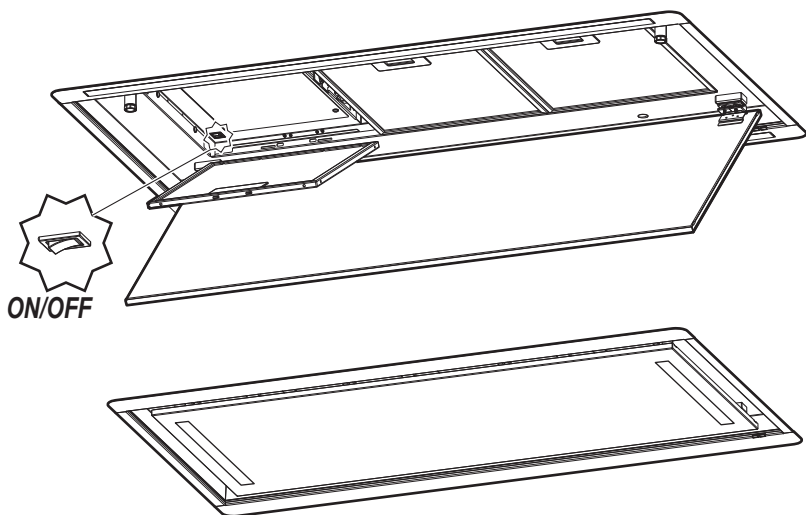


E5

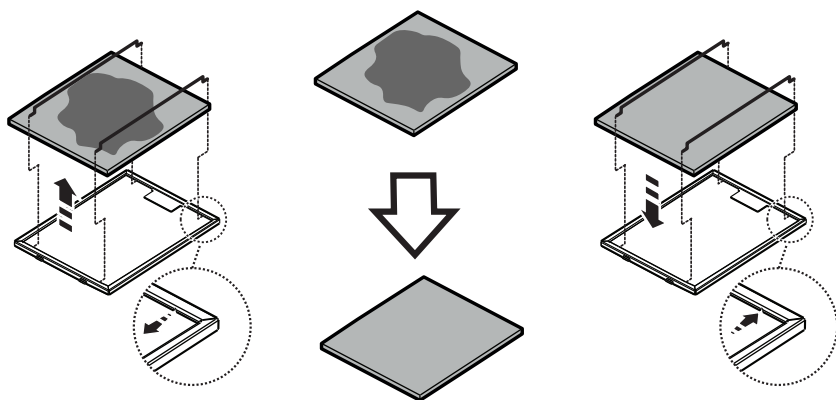
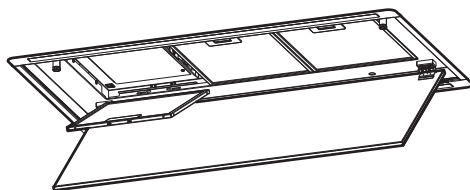


Ok!





9



10

Closely follow the instructions set out in this manual. All responsibility, for any eventual inconveniences, damages or fires caused by not complying with the instructions in this manual, is declined. This appliance is intended to be used in household and similar application such as: - staff kitchen areas in shop, offices and other working environments; - farm houses; - by clients in hotels, motels and other residential type environments; - bed and breakfast type environments.

The hood can look different to that illustrated in the drawings in this booklet. The instructions for use, maintenance and installation, however, remain the same.

- It is important to conserve this booklet for consultation at any moment. In the case of sale, cession or move, make sure it is together with the product.
- Read the instructions carefully: there is important information about installation, use and safety.
- Do not carry out electrical or mechanical variations on the product or on the discharge conduits.
- Before proceeding with the installation of the appliance verify that there are no damaged all components. Otherwise contact your dealer and do not proceed with the installation.

Note: The parts marked with the symbol "(*)" are optional accessories supplied only with some models or otherwise not supplied, but available for purchase.

Caution

- Before any cleaning or maintenance operation, disconnect hood from the mains by removing the plug or disconnecting the mains electrical supply.
- Always wear work gloves for all installation and maintenance operations.
- This appliance can be used by children aged from 8 years and above and persons with reduced physical, sensory or mental capabilities or lack of experience and knowledge if they have been given supervision or instruction concerning use of the appliance in a safe way and understand the hazards involved.
- Children shall not be allowed to tamper with the controls or play with the appliance.
- Cleaning and user maintenance shall not be made by children without supervision.
- The premises where the appliance is

installed must be sufficiently ventilated, when the kitchen hood is used together with other gas combustion devices or other fuels.

- The hood must be regularly cleaned on both the inside and outside (AT LEAST ONCE A MONTH).
- This must be completed in accordance with the maintenance instructions provided. Failure to follow the instructions provided regarding the cleaning of the hood and filters will lead to the risk of fires.
- Do not flambé under the range hood.
- Do not remove filters during cooking.
- For lamp replacement use only lamp type indicated in the Maintenance/Replacing lamps section of this manual.

The use of exposed flames is detrimental to the filters and may cause a fire risk, and must therefore be avoided in all circumstances.

Any frying must be done with care in order to make sure that the oil does not overheat and ignite.

CAUTION: Accessible parts of the hood may become hot when used with cooking appliances.

- Do not connect the appliance to the mains until the installation is fully complete.
- With regards to the technical and safety measures to be adopted for fume discharging it is important to closely follow the regulations provided by the local authorities.
- The air must not be discharged into a flue that is used for exhausting fumes from appliance burning gas or other fuels.

▲ WARNING! Failure to install the

screws or fixing device in accordance with these instructions may result in electrical hazards.

- Do not use or leave the hood without the lamp correctly mounted due to the possible risk of electric shocks.
- Never use the hood without effectively mounted grids.
- The hood must NEVER be used as a support surface unless specifically indicated.
- Use only the fixing screws supplied with the product for installation or, if not supplied, purchase the correct screws type.
- Use the correct length for the screws which are identified in the Installation Guide.
- In case of doubt, consult an authorized service assistance center or similar qualified person.

▲ WARNING! Do not use with a programmer, timer, separate remote control system or any other device that switches on automatically.

Electrical connection

The mains power supply must correspond to the rating indicated on the plate situated inside the hood. If provided with a plug connect the hood to a socket in compliance with current regulations and positioned in an accessible area, after installation. If it not fitted with a plug (direct mains connection) or if the plug is not located in an accessible area, after installation, apply a double pole switch in accordance with standards which assures the complete disconnection of

the mains under conditions relating to over-current category III, in accordance with installation instructions.

▲ WARNING! Before re-connecting the hood circuit to the mains supply and checking the efficient function, always check that the mains cable is correctly assembled.

Installation

- The minimum distance between the supporting surface for the cooking equipment on the hob and the lowest part of the range hood must be not less than 70cm from electric cookers and 100cm from gas or mixed cookers.
- If the instructions for installation for the gas hob specify a greater distance, this must be adhered to.

Check of the ceiling

The ceiling must be flat, horizontal, sturdy enough, and resistant

Warnings

The hood is designed to be installed in a dropped ceiling


The dropped ceiling must be sturdy and have a load-bearing capacity suitable for a product with max. weight of **26kg**.

Do not install the hood directly in the dropped ceiling panels, but use a suitable frame or support.

- This appliance is marked according to the European directive 2012/19/EC - UK SI 2013 No.3113 on Waste Electrical and Electronic Equipment (WEEE).

- By ensuring this product is disposed of correctly, you will help prevent potential negative consequences for the environment and human health, which could otherwise be caused by inappropriate waste handling of this product.



- The symbol  on the product, or on the documents accompanying the product, indicates that this appliance may not be treated as household waste. Instead it should be taken to the appropriate collection point for the recycling of electrical and electronic equipment. Disposal must be carried out in accordance with local environmental regulations for waste disposal.

- For further detailed information regarding the process, collection and recycling of this product, please contact the

appropriate department of your local authorities or the local department for household waste or the shop where you purchased this product.

Appliance designed, tested and manufactured according to:

- Safety: EN/IEC 60335-1; EN/IEC 60335-2-31, EN/IEC 62233.
- Performance: EN/IEC 61591; ISO 5167-1; ISO 5167-3; ISO 5168; EN/IEC 60704-1; EN/IEC 60704-2-13; EN/IEC 60704-3; ISO 3741; EN 50564; IEC 62301.
- EMC: EN 55014-1; CISPR 14-1; EN 55014-2; CISPR 14-2; EN/IEC 61000-3-2; EN/IEC 61000-3-3. Suggestions for a correct use in order to reduce the environmental impact: Switch ON the hood at minimum speed when you start cooking and kept it running for few minutes after cooking is finished. Increase the speed only in case of large amount of smoke and vapor and use boost speed(s) only in extreme situations. Replace the charcoal filter(s) when necessary to maintain a good odor reduction efficiency. Clean the grease filter(s) when necessary to maintain a good grease filter efficiency. Use the maximum diameter of the ducting system indicated in this manual to optimize efficiency and minimize noise.

Use

The hood is designed to be used for exhausting version.

Important

It is possible to purchase a Kit for the filtering function (see next paragraph "**Filtering version**").



Extraction version

In this case the fumes are conveyed outside of the building by means of a special pipe connected with the connection ring located on top of the hood.

CAUTION!

The exhausting pipe is not supplied and must be purchased apart.

Diameter of the exhausting pipe must be equal to that of the connection ring.

CAUTION!

If the hood is supplied with active charcoal filter, then it must be removed.

Connect the hood and discharge holes on the walls with a diameter equivalent to the air outlet (connection flange).

Using the tubes and discharge holes on walls with smaller dimensions will cause a diminution of the suction performance and a drastic increase in noise.

Any responsibility in the matter is therefore declined.

- ! Use a duct of the minimum indispensable length.
- ! Use a duct with as few elbows as possible (maximum elbow angle: 90°).
- ! Avoid drastic changes in the duct cross-section.



Filtration version

The aspirated air will be degreased and deodorised before being fed back into the room.

In order to use the hood in this version, you have to install a system of additional filtering based on activated charcoal.

Operation



This product is designed to work with an Elica remote control, either supplied with the product or purchased separately as an optional.

To control the hood via remote control, the affiliation procedure must be carried out.

CAUTION!

To begin, the hood must be disconnected and then reconnected to the power supply and the affiliation procedure must be carried out within the first minute of connection to the power.

Read the instructions supplied with the remote control, which provide detailed instructions on affiliation and correct use.

Note: the **Speed 4** (and the **Speed 5**, where applicable) if selected, will activate for a limited period of time after which **Speed 2** is automatically enabled.

Remote control connection (if applicable)

Once the remote control has been connected, this will be displayed on the hood: both LEDs flash.

Note: Using the remote control, delayed shut-down can be programmed based on the aspiration speed (power) enabled at that moment:

Speed 1 (low aspiration): 20 minutes

Speed 2 (medium aspiration): 15 minutes

Speed 3 (high aspiration): 10 minutes

Filter Saturation indicator lights

At regular intervals, the LEDs on the hood indicate the need to carry out filter maintenance.

Note: The filter saturation signal is visible for a few seconds when the hood is switched on; within this time, the saturation indicator lights must be reset.

Flashing Green LED: carry out maintenance on the grease filter.

Red flashing LED: carry out maintenance on the charcoal

filter (only for hoods operating in "Filtration Version").

Note: Run the "RESET FILTRES" command via the remote control.

Activating/deactivating the filter saturation indicator light

Note: Run the procedure with the hood switched off. The charcoal filter saturation indicator light is usually deactivated.

If no control is given within maximum 10 sec, the hood automatically exits this function, at any time, and returns to the previous state.

Press and hold the **B+C** keys (Simultaneously) to enter the setup menu:

Briefly press button **C** to select the filter to be set up:

Grease filter: Green

Charcoal filter: Red

Briefly press button **B** to activate (the 2nd LED flashing) or deactivate (2nd LED off).

Note: the LEDs light up for a limited number of seconds after which they turn off to indicate that the indicator light has been activated (or deactivated).

The device can also be used in combination with a Window sensor KIT (not supplied by the manufacturer).

If the Window sensor KIT is installed (only in the case of use in EXTRACTOR mode), air extraction will halt every time the window in the room, on which the KIT is applied, is closed.

- The KIT must be electrically connected to the device by qualified and specialised technical personnel.
- The KIT must be certified separately in accordance with the safety standards for the component and its use with the device. Installation must be carried out in accordance with current regulations for domestic systems.

PLEASE NOTE:

- the wiring of the KIT to be connected to the device must be part of a certified safety extra-low voltage (SELV) circuit.
- the manufacturer of this device declines all liability for any inconvenience, damage or fires caused by defects and/or problems associated with the malfunction and/or incorrect installation of the KIT.

Maintenance

Cleaning

Clean using **ONLY** a cloth dampened with neutral liquid detergent. **DO NOT CLEAN WITH TOOLS OR INSTRUMENTS.** Do not use abrasive products. **DO NOT USE ALCOHOL!**

Panel

Fig. 9

The panel for perimeter suction should always be left closed and should only be opened in case of maintenance interventions (eg cleaning or replacing filters).

Grease filter

Fig. 9

Traps cooking grease particles.

This must be cleaned once a month (or when the filter saturation indication system – if envisaged on the model in possession – indicates this necessity) using non aggressive detergents, either by hand or in the dishwasher, which must be set to a low temperature and a short cycle.

When washed in a dishwasher, the grease filter may discolor slightly, but this does not affect its filtering capacity.

To remove the grease filter, pull the spring release handle.

Charcoal filter (filter version only)

Fig. 10

It absorbs unpleasant odors caused by cooking.

The charcoal filter can be washed once every two months (or when the filter saturation indication system – if envisaged on the model in possession – indicates this necessity) using hot water and a suitable detergent, or in a dishwasher at 65°C (if the dishwasher is used, select the full cycle function and leave dishes out).

Eliminate excess water without damaging the filter, then put it in the oven for 10 minutes at 100° C to dry completely. Replace the mattress every 3 years and when the cloth is damaged.

Replacing lamps

The hood is equipped with a lighting system based on LED technology.

The LEDs guarantee an optimum lighting, a duration up to 10 times longer than the traditional lamps and allow to save 90% electrical energy.

The lighting system cannot be replaced by the user, contact Customer Service in case of malfunction.

Suivre impérativement les instructions de cette notice. Le constructeur décline toute responsabilité pour tous les inconvénients, dommages ou incendies provoqués à l'appareil et dus à la non observation des instructions de la présente notice. Cet appareil est destiné à être utilisé dans des applications domestiques et analogues telles que : - des coins cuisines réservés au personnel dans des magasins, bureaux et autres environnements professionnels ; - des fermes ; - l'utilisation par les clients des hôtels, motels et autres environnements à caractère résidentiel ; - des environnements du type chambre d'hôtes.

La hotte peut avoir des configurations esthétiques différentes par rapport à ce qui est illustré dans les dessins de ce manuel, cependant les instructions pour l'utilisation, l'entretien et l'installation restent identiques.

- Il est important de conserver ce livret pour pouvoir le consulter à tout moment. En cas de vente, de cession ou de déménagement, assurez-vous que la notice d'utilisation l'accompagne.
- Veuillez lire attentivement les instructions, vous trouverez des informations importantes sur l'installation, le mode d'emploi et la sécurité.
- Ne pas effectuer des modifications électriques ou mécaniques sur le produit ou sur les conduits d'évacuation.
- Avant d'installer l'appareil, vérifiez qu'il n'y a aucun composant endommagé. Sinon, contactez votre revendeur et ne continuez pas l'installation.

Remarque : Les pièces marquées du symbole « (*) » sont des accessoires en option fournis uniquement avec certains modèles, ou des pièces non fournies, à acheter.

Attention

- Avant tout entretien ou nettoyage du produit débranchez l'alimentation électrique en retirant la fiche électrique ou en coupant l'interrupteur général.
- Utilisez des gants de travail pour toute opération de nettoyage ou d'entretien.
- Cet appareil peut être utilisé par des enfants âgés d'au moins 8 ans et par des personnes ayant des capacités physiques, sensorielles ou mentales réduites ou dénuées d'expériences ou de connaissances, sauf si ces personnes sont correctement surveillées ou si des instructions relatives à l'utilisation correcte de l'appareil permettant d'éviter tout danger leur ont été communiquées.
- Les enfants ne doivent pas jouer avec l'appareil.
- Le nettoyage et l'entretien par l'utilisateur ne

doivent pas être effectués par des enfants sans surveillance.

- La pièce doit avoir une aération suffisante lorsque la hotte est utilisée conjointement avec d'autres appareils fonctionnant au gaz ou autres combustibles.

- La hotte doit être régulièrement nettoyée à la fois à l'intérieur et à l'extérieur (AU MOINS UNE FOIS PAR MOIS); cela devrait se faire en conformité avec les instructions d'entretien. Le non respect des instructions expressément fournies concernant le nettoyage de la hotte et des filtres peut provoquer des risques d'incendie.

- Ne pas flamber d'aliments sous la hotte.

- Pour le remplacement de la lampe, utilisez uniquement le type de lampe spécifié dans la section remplacement/maintenance lampe dans ce manuel.

L'utilisation d'une flamme nue est dommageable pour les filtres et peut causer un incendie, par conséquent, il est déconseillé de l'utiliser.

La friture doit être faite avec soin afin de s'assurer que l'huile surchauffée ne prenne pas feu.

AVERTISSEMENT: Lorsque la table de cuisson est en fonctionnement, les parties accessibles de la hotte peuvent devenir très chaudes.

- Ne pas brancher l'appareil au réseau électrique avant que l'installation ne soit complètement terminée.

- En ce qui concerne les mesures techniques et de sécurité à prendre pour l'évacuation des fumées, respectez strictement les dispositions des règlements locaux.

- L'air ne doit pas être envoyé dans un conduit utilisé pour évacuer les fumées

d'appareils utilisant du gaz ou un autre combustible.

▲ ATTENTION ! Le défaut d'installer les vis et les dispositifs de fixation conformément à ces instructions peut entraîner des risques électriques.

- Ne pas utiliser ou laisser la hotte sans les lampes correctement montées, car un éventuel risque de choc électrique est possible.

- N'utilisez jamais la hotte sans la grille montée correctement!

- La hotte ne doit JAMAIS être utilisée comme une surface d'appui, sauf indication expresse.

- Utilisez uniquement les vis de fixation fournies avec le produit pour l'installation, ou, si non fournies, acheter le type correct de vis.

- Utilisez la longueur correcte pour les vis qui sont identifiées dans le Guide d'installation.

- En cas de doute, consultez votre centre de service agréé ou du personnel qualifié.

▲ ATTENTION ! Ne pas mettre en marche au moyen d'un programmateur, d'une minuterie, ou d'un système de commande à distance séparé ou tout autre dispositif qui met l'appareil sous tension automatiquement.

Branchement électrique

La tension électrique doit correspondre à la tension reportée sur la plaque signalétique située à l'intérieur de la hotte. Si une prise est présente, branchez la hotte dans une prise murale conforme aux normes en vigueur et placée dans une zone accessible également après l'installation. Si aucune prise n'est présente (raccordement

direct au circuit électrique), ou si la prise ne se trouve pas dans une zone accessible également après l'installation, appliquez un disjoncteur normalisé pour assurer de débrancher complètement la hotte du circuit électrique en conditions de catégorie surtension III, conformément aux réglementations de montage.

▲ ATTENTION! Avant de rebrancher le circuit de la hotte à l'alimentation électrique et d'en vérifier le fonctionnement correct, contrôlez toujours que le câble d'alimentation soit monté correctement.

Installation

- La distance minimum entre la superficie de support des récipients sur le dispositif de cuisson et la partie la plus basse de la hotte de cuisine ne doit pas être inférieure à 70cm dans le cas de cuisinières électriques et de 100cm dans le cas de cuisinières à gaz ou mixtes.

Si les instructions d'installation du dispositif de cuisson au gaz spécifient une plus grande distance, il faut en tenir compte.

Contrôle du plafond

Le plafond doit être plat, horizontal et suffisamment solide et résistant

Mises en garde

La hotte est conçue pour être installée sur un faux plafond.


Le faux plafond doit être solide et avoir une capacité de charge adéquate pour un produit de **26 kg** maximum.

Il ne faut pas installer la hotte directement sur les panneaux du faux plafond mais utiliser la structure ou un support adéquat.

Cet appareil porte le symbole du recyclage conformément à la Directive Européenne 2012/19/EC - UK SI 2013 No.3113 concernant les Déchets d'Équipements Électriques et Électroniques (DEEE ou WEEE).

En procédant correctement à la mise au rebut de cet appareil, vous contribuerez à empêcher toute conséquence nuisible pour l'environnement et la santé de l'homme.



Le symbole  présent sur l'appareil ou sur la documentation qui l'accompagne indique que ce produit ne peut en aucun cas être traité comme déchet ménager. Il doit par conséquent être remis à un centre de collecte des déchets chargé du recyclage des équipements électriques et électroniques.

Pour la mise au rebut, respectez les normes relatives à l'élimination des déchets en vigueur dans le pays d'installation.

Pour obtenir de plus amples détails au sujet du traitement, de la récupération et du recyclage de cet appareil, veuillez vous adresser au bureau compétent de votre commune, à la société de collecte des déchets ou directement à votre revendeur.

Appareil conçu, testé et fabriqué conformément aux normes suivantes :

- Sécurité : EN/IEC 60335-1; EN/IEC 60335-2-31, EN/IEC 62233.
- Performances : EN/IEC 61591; ISO 5167-1; ISO 5167-3; ISO 5168; EN/IEC 60704-1; EN/IEC 60704-2-13; EN/IEC 60704-3; ISO 3741; EN 50564; IEC 62301.

- EMC: EN 55014-1; CISPR 14-1; EN 55014-2; CISPR 14-2; EN/IEC 61000-3-2; EN/IEC 61000-3-3. Suggestions pour une utilisation correcte afin de réduire l'impact environnemental : Allumer la hotte à la vitesse minimum pendant la cuisson et la laisser fonctionner pendant quelques minutes après la fin de la cuisson. Augmenter la vitesse uniquement en présence d'une grande quantité de fumée ou de vapeur et n'utiliser la/les vitesse(s) accélérées que dans les cas extrêmes. Remplacer le(s) filtre(s) au charbon lorsque cela est nécessaire afin de maintenir une réduction efficace des odeurs. Nettoyer le(s) filtres à graisse lorsque cela est nécessaire afin de maintenir un filtrage efficace des graisses. Utiliser un système de tuyauterie du diamètre maximum indiqué dans ce manuel afin d'optimiser le rendement et de minimiser le bruit.

Utilisation

La hotte est réalisée de façon qu'elle puisse être utilisée en version aspirante à évacuation extérieure.

Important

Vous pouvez acheter un kit pour le fonctionnement filtrant. (voir le paragraphe successif «**Versión filtrante** »).



Versión aspirante

Les vapeurs sont évacuées vers l'extérieur à travers un conduit d'évacuation fixé à la bride de raccord qui se trouve au-dessus de la hotte.

! ATTENTION!

Le tuyau d'évacuation n'est pas fourni et doit être acheté à part. Le diamètre du tuyau d'évacuation doit être égal à celui de la bride de raccord.

! ATTENTION!

Si la hotte est équipée d'un filtre à charbon, ce dernier doit être enlevé.

Relier la hotte aux tubes et trous d'évacuation de la paroi d'un diamètre équivalent à la sortie de l'air (collier de raccord).

L'utilisation de tubes et des trous d'évacuation à paroi avec un diamètre inférieur entraînera une diminution des performances d'aspiration et une nette augmentation du bruit.

Nous déclinons toute responsabilité à cet égard.

! Utiliser un tuyau de la longueur strictement nécessaire.

! Les coudes du tuyau doivent être en nombre minime (angle maxi du coude: 90°).

! Éviter les variations excessives de section du tuyau.



Versión filtrante

L'air d'aspiration sera dégraissé et désodorisé avant d'être renvoyé dans la pièce.

Pour utiliser la hotte dans cette version, vous devez installer un système de filtrage supplémentaire basé sur charbon actif.

Fonctionnement



Cet appareil est prévu pour fonctionner avec la radiocommande Elica, fournie avec le produit ou disponible séparément comme accessoire.

Pour pouvoir contrôler la hotte avec la radiocommande il faut d'abord effectuer la procédure d'affiliation.

ATTENTION!

Pour commencer, il faut débrancher et rebrancher la hotte au réseau électrique et effectuer la procédure d'affiliation dans la première minute qui suit l'alimentation.

Lire les instructions fournies avec la radiocommande où figurent toutes les informations pour l'affiliation et l'utilisation correcte.

Remarque : lorsque la **Vitesse 4** (et la **Vitesse 5** le cas échéant) sont sélectionnées, elles seront activées pendant une durée limitée, après quoi, la **Vitesse 2** prendra automatiquement le relais.

Association de la télécommande (le cas échéant)

La réussite de l'association de la télécommande est visible sur la hotte :

les deux DEL clignotent.

Remarque : Avec la télécommande, il est possible de programmer l'arrêt retardé en fonction de la vitesse (puissance) d'aspiration active à ce moment-là :

Vitesse 1 (aspiration basse) : 20 minutes

Vitesse 2 (aspiration moyenne) : 15 minutes

Vitesse 3 (aspiration élevée) : 10 minutes

Voyants de saturation des filtres

À échéances régulières, les DEL placées sur la hotte signalent la nécessité d'effectuer l'entretien des filtres.

Remarque : L'indication de saturation des filtres est visible pendant quelques secondes au moment de l'allumage de la hotte. Pendant ce temps, il est nécessaire de réinitialiser les indicateurs de saturation.

DEL vert clignotant : effectuer l'entretien du filtre des graisses.

DEL rouge clignotant : effectuer l'entretien du filtre carbone (uniquement pour les hottes fonctionnant en « version filtrante »).

Remarque : Effectuer la « **RÉINITIALISATION DES FILTRES** » avec la télécommande.

Activation/désactivation indicateur de saturation des filtres

Remarque : À faire alors que la hotte est éteinte. Normalement, l'indicateur de saturation du filtre carbone est désactivé.

En l'absence de toute commande pendant environ 10 sec., la hotte sort automatiquement de cette fonction pour retourner à la fonction précédente.

Maintenir les touches **B+C** appuyées (en même temps) pour entrer dans le menu de configuration :

Appuyer brièvement sur la touche **C** pour choisir le filtre à configurer :

Filtre des graisses : Vert

Filtre carbone : Rouge

Appuyer brièvement sur la touche **B** pour l'activer (2e DEL clignotante) ou le désactiver (2e DEL éteinte).

Remarque : les DEL s'allument pendant un nombre limité de secondes, après quoi, elles s'éteignent indiquant ainsi que l'activation (ou la désactivation) de l'indicateur est terminée.

L'appareil est prévu pour être utilisé en association avec un KIT capteur Window (non fourni par le fabricant).

En installant le KIT capteur Window (uniquement en cas d'utilisation en mode ASPIRATION), l'aspiration de l'air cessera chaque fois que la fenêtre présente dans la pièce, sur laquelle est appliqué le KIT, sera fermée.

• Le branchement électrique du KIT à l'appareil doit être effectué par un personnel technique qualifié et spécialisé.

• Le KIT doit être certifié séparément, conformément aux normes de sécurité pertinentes au composant et à son utilisation avec l'appareil. L'installation doit être effectuée conformément aux réglementations pour les installations domestiques en vigueur.

ATTENTION :

• le câblage du KIT à brancher à l'appareil doit faire partie d'un circuit certifié à très basse tension de sécurité (TBTS).

• le fabricant de cet appareil décline toute responsabilité en cas de problèmes, de dommages, ou d'incendies provoqués par des défauts et/ou des problèmes de dysfonctionnement et/ou une installation incorrecte du KIT.

Entretien

Nettoyage

Pour le nettoyage, utiliser **EXCLUSIVEMENT** un chiffon humidifié avec des détergent liquides neutres. **NE PAS UTILISER D'OUTILS OU D'INSTRUMENTS POUR LE NETTOYAGE !** Éviter l'usage de produits abrasifs, **NE PAS UTILISER D'ALCOOL!**

Panneau

Fig. 9

Le panneau d'aspiration périmétrale doit être laissé toujours fermé et il sera ouvert seulement en cas d'entretien (par ex..nettoyage ou remplacement des filtres).

Filtre anti-gras

Fig. 9

Il retient les particules de graisse issues de la cuisson.

Le filtre doit être nettoyé une fois par mois (ou lorsque le système d'indication de saturation des filtres – si prévu sur le modèle – indique cette nécessité) avec des détergents non agressifs, à la main ou dans le lave-vaisselle à faibles températures et cycle rapide.

Le lavage du filtre anti-graisse métallique au lave-vaisselle peut en provoquer la décoloration. Toutefois, les caractéristiques de filtrage ne seront en aucun cas modifiées.

Pour démonter le filtre anti-graisse, tirer la poignée de décrochement à ressort.

Filtre à charbon actif (uniquement pour version recyclage)

Fig. 10

Retient les odeurs désagréables de cuisson.

Le filtre à charbon peut être nettoyé tous les deux mois (ou lorsque le système d'indication de saturation des filtres – si prévu sur le modèle possédé – indique cette nécessité) avec de l'eau chaude et au moyen de détergents appropriés ou dans le lave-vaisselle à 65°C (dans le cas de lavage dans le lave-vaisselle suivre un cycle de lavage complet sans vaisselle à l'intérieur).

Enlever l'eau qui excède en faisant attention de ne pas abîmer le filtre, ensuite le mettre dans le four pendant 10 minutes à 100°C pour le sécher définitivement. Remplacer le coussinet tous les 3 ans et chaque fois que le filtre sera abîmé.

Remplacement des lampes

La hotte est dotée d'un système d'éclairage basé sur la technologie LED.

Les LEDS garantissent un éclairage optimal, une durée jusqu'à 10 fois supérieures aux ampoules traditionnelles et permettent une épargne de 90% en énergie électrique.

Le système d'éclairage ne peut pas être remplacé par l'utilisateur ; en cas de dysfonctionnement, contacter le service d'assistance.

Atégase estrictamente a las instrucciones del presente manual. Se declina cada responsabilidad por eventuales inconvenientes, daños o incendios provocados al aparato originados por la inobservancia de las instrucciones colocadas en este manual. La campana extractora ha sido ideada para la aspiración de humos y vapores producidos durante la cocción y para el uso doméstico.

La campana puede ser diferente con respecto a los dibujos de este manual, aunque las instrucciones para su uso, la manutención y la instalación son las mismas.

- Es importante guardar este manual para poder consultar si fuera necesario. En el caso de venta, de inutilidad o de mudanza, asegurarse que quede junto al producto.
- Leer atentamente las instrucciones: contiene importantes informaciones sobre la instalación, el uso y la seguridad.
- No realizar variaciones eléctricas o mecánicas en el producto o en el tubo de escape.
- Antes de instalar el aparato, controlar que todas sus partes no estén dañadas. En caso contrario llamar al revendedor y no realizar la instalación.

Nota: Los elementos que están marcados con el símbolo "(*)" son accesorios opcionales suministrados únicamente con algunos modelos o elementos no suministrados, que deben comprarse a parte.

Advertencias

- Antes de llevar a cabo cualquier operación de limpieza o mantenimiento, desconectar la campana de la alimentación eléctrica desenchufando la clavija o desconectando el interruptor general de la vivienda.

- Para todas las operaciones de instalación y mantenimiento utilizar los guantes de trabajo.

- El aparato puede ser usado por niños mayores a 8 años y por personas con discapacidades físicas, sensoriales o mentales, o con falta de experiencia o de conocimiento necesario, previsto que estén bajo vigilancia o después de que las mismas hayan recibido instrucción relacionada con el uso seguro del aparato y de la comprensión de los peligros inherentes a éste.

- Los niños deben ser supervisados para asegurarse de que no jueguen con el aparato.

- La limpieza y el mantenimiento no

deben ser realizados por niños sin debida supervisión.

- La habitación debe estar suficientemente ventilada cuando la campana se utiliza contemporáneamente con otros dispositivos a combustión de gas u otros combustibles.

- La campana debe ser limpiada con frecuencia, tanto internamente como externamente (POR LO MENOS UNA VEZ AL MES), en todo caso seguir lo que se indica expresamente en las instrucciones de mantenimiento.

- La inobservancia de las normas de limpieza de la campana y del cambio y la limpieza puede comportar riesgo de incendios.

- Es estrictamente prohibido flamear los alimentos bajo la campana.

- Para la sustitución de la lámpara sólo utilizar el tipo de lámpara indicado en la sección de mantenimiento/sustitución de este manual.

El uso de una llama libre es perjudicial para los filtros y puede provocar incendios, por lo tanto, debe evitarse en cualquier caso.

Los fritos debe realizarse con cuidado para evitar que el aceite caliente prenda fuego.

ATENCIÓN: Cuando la placa de cocción está funcionando las partes accesibles de la campana pueden calentarse.

- No conectar la unidad a la red eléctrica hasta que la instalación sea totalmente completada.

- En cuanto a las medidas técnicas y de seguridad a adoptar para la descarga de los humos, seguir estrictamente lo previsto por los reglamentos de las autoridades locales competentes.

- El aire aspirado no debe ser transportado en un conducto usado para

la descarga de humos producidos por dispositivos de combustión a gas u otros combustibles.

▲ ¡ATENCIÓN! Si no se instalan los tornillos y elementos de fijación de acuerdo con estas instrucciones se puede incurrir en riesgos de naturaleza eléctricos.

- No utilizar ni dejar la campana sin las luces correctamente instaladas debido al posible riesgo de descarga eléctrica.

- No utilizar nunca la campana sin la rejilla montada correctamente!

- La campana NUNCA debe utilizarse como una superficie de apoyo a menos que así se indique específicamente.

- Utilizar sólo los tornillos para fijación suministrados con el producto para su instalación, o, si no se suministran, comprar el tipo correcto de tornillos. Utilizar la longitud correcta para los tornillos que se identifican en la Guía de instalación.

- En caso de duda, consultar el centro de asistencia autorizado o un similar personal calificado.

▲ ¡ATENCIÓN! No utilizar con un programador, temporizador, mando a distancia separado o cualquier otro dispositivo que se active automáticamente.

Conexión eléctrica

La tensión de red debe corresponder con la tensión indicada en la etiqueta colocada en el interior de la campana. Si es suministrada con un enchufe, conectar la campana a un enchufe conforme a las normas en vigor y

colocarlo en una zona accesible, aun después de la instalación. Si no es suministrada con enchufe (conexión directa a la red) o clavija y no es posible situarla en un lugar accesible, aun después de la instalación, colocar un interruptor bipolar de acuerdo con las normativas, para asegurarse la desconexión completa a la red en el caso de la categoría de alta tensión III, conforme con las reglas de instalación.

▲ ATENCIÓN! Antes de reconectar el circuito de la campana a la red y de verificar el correcto funcionamiento, controlar siempre que el cable de red fue montado correctamente.

Instalación

- La distancia mínima entre la superficie de cocción y la parte más baja de la campana no debe ser inferior a 70cm en el caso de cocinas eléctricas y de 100cm en el caso de cocinas a gas o mixtas.

Si las instrucciones para la instalación del dispositivo para cocinar con gas especifican una distancia mayor, hay que tenerlo en consideración.

Control del techo

El techo debe ser plano, horizontal y adecuadamente sólido y resistente

Advertencias

La campana está diseñada para ser instalada en un cielo falso


El cielo falso debe ser sólido y tener una capacidad de carga adecuada para un producto del peso máx. de **26kg**.

No instalar la campana directamente en los paneles del cielo falso, sino utilizar siempre un bastidor o soporte adecuado.

Este aparato lleva el marcado CE en conformidad con la Directiva 2012/19/EC - UK SI 2013 No.3113 del Parlamento Europeo y del Consejo sobre residuos de aparatos eléctricos y electrónicos (RAEE).

La correcta eliminación de este producto evita consecuencias negativas para el medioambiente y la salud.



El símbolo  en el producto o en los documentos que se incluyen con el producto, indica que no se puede tratar como residuo doméstico. Es necesario entregarlo en un punto de recogida para reciclar aparatos eléctricos y electrónicos.

Deséchelo con arreglo a las normas medioambientales para eliminación de residuos.

Para obtener información más detallada sobre el tratamiento, recuperación y reciclaje de este producto, póngase en contacto con su Municipalidad, con el servicio de eliminación de residuos urbanos o la tienda donde adquirió el producto.

Aparato diseñado, probado y fabricado de acuerdo con:

- Seguridad: EN/IEC 60335-1; EN/IEC 60335-2-31, EN/IEC 62233.

- Prestación: EN/IEC 61591; ISO 5167-1; ISO 5167-3; ISO 5168; EN/IEC 60704-1; EN/IEC 60704-2-13; EN/IEC 60704-3; ISO 3741; EN 50564; IEC 62301.

- EMC: EN 55014-1; CISPR 14-1; EN 55014-2; CISPR 14-2; EN/IEC 61000-3-2; EN/IEC 61000-3-3. Sugerencias para un uso correcto con el fin de reducir el impacto ambiental: Encienda la campana a la velocidad mínima cuando empiece a cocinar y mantenga en marcha durante unos minutos después de haber acabado de cocinar. Aumente la velocidad solo si se produjera una gran cantidad de humo y vapor y use la velocidad o velocidades turbo solo en situaciones extremas. Cambie el filtro o filtros de carbón cuando sea necesario para mantener un buen rendimiento en la reducción de los olores. Limpie el filtro o filtros de grasa cuando sea necesario para mantener un buen rendimiento del filtro de grasa. Utilice el diámetro máximo del sistema de conductos indicado en este manual, para optimizar el rendimiento y minimizar el ruido.

Utilización

La campana está diseñada para ser utilizada en la forma de extracción.

Importante

Es posible adquirir un Kit para el funcionamiento filtrante. (ver el párrafo sucesivo "**Versión filtrante**").



Versión aspirante

El vapor es evacuado hacia el exterior a través de un tubo de escape introducido en el aro de sujeción que se encuentra arriba de la campana.

⚠ ATENCIÓN!

El diámetro del tubo de escape debe ser igual al diámetro del aro de sujeción.

⚠ ATENCIÓN!

Si la campana está provista de filtro de carbón, hay que sacarlo.

Conectar la campana en los tubos y en los orificios de escape

de pared con diámetro equivalente a la salida del aire (brida de empalme).

El uso de tubos u orificios de escape de pared con diámetro inferior, determinará una reducción de los rendimientos de la aspiración y un drástico aumento del ruido.

Se deslinda responsabilidad.

! Utilice un conducto cuya longitud sea la mínima indispensable.

! Utilice un conducto con el menor número posible de curvas (ángulo máximo de la curva: 90°).

! Evite los cambios drásticos en la sección del conducto



Versión filtrante

El aire aspirado vendrá desgrasado y desodorizado antes de ser alimentado de nuevo en la habitación.

Para utilizar la campana en esta versión es necesario instalar un sistema de filtración adicional a base de carbón activado.

Funcionamiento



Este producto está predispuesto para funcionar con radiocomando Elica, suministrado con el producto o adquirible separadamente como opcional.

Para poder controlar la campana a través del radiocomando es necesario realizar el procedimiento de afiliación.

¡ATENCIÓN!

Para iniciar es necesario desconectar y conectar de nuevo la campana a la red eléctrica y realizar el procedimiento de afiliación durante el primer minuto de alimentación.

Lea las instrucciones suministradas con el radiocomando donde están señaladas todas las informaciones para su afiliación y para el correcto uso.

Nota: la **Velocidad 4** (y la **Velocidad 5** donde esté previsto) si son seleccionadas, se activan por un periodo limitado de tiempo después es activada automáticamente la **Velocidad 2**.

Afiliación telecomando (si está previsto)

La realización de la afiliación es visualizada en la campana: ambos LED parpadean.

Nota: Con el mando a distancia se puede programar el apagado retardado según la velocidad (potencia) de aspiración activa en ese momento:

Velocidad 1 (aspiración baja): 20 minutos

Velocidad 2 (aspiración media): 15 minutos

Velocidad 3 (aspiración alta): 10 minutos

Indicadores de Saturación filtros

A intervalos regulares los led colocados en la campana señalan la necesidad de realizar el mantenimiento de los filtros.

Nota: La indicación de saturación de los filtros es visible por algunos segundos al encender la campana, dentro de este tiempo debe ser realizado el reset de los indicadores de saturación.

Led Verde parpadeante: realizar el mantenimiento del filtro de grasas.

Led Rojo parpadeante: realizar el mantenimiento del filtro carbón (solo para campanas funcionando en "Versión Filtrante").

Nota: Realizar el "RESET FILTROS" con el telecomando.

Activación/Desactivación indicador saturación filtros

Nota: Realizar con la campana apagada. El indicador de saturación filtro carbón está normalmente desactivado.

En todo momento, en ausencia de mandos adicionales dentro de un tiempo aproximado de 10seg , la campana sale automáticamente de esta función para regresar al estado precedente.

Presione por largo tiempo las teclas **B+C** (Click simultáneo) para entrar en el menú de configuración:

Presione brevemente la tecla **C** para escoger el filtro a configurar:

Filtro grasas: Verde

Filtro carbón: Rojo

Presione brevemente la tecla **B** para activar (2° led parpadeante) o desactivar (2° led apagado).

Nota: los led se encienden por un número limitado de segundos después se apagan para indicar la realización de la activación (o desactivación) del indicador.

El aparato está elaborado para ser utilizado en combinación con un KIT sensor Window (no suministrado por el fabricante).

Instalando el KIT sensor Window (solo en el caso de uso en modalidad ASPIRANTE), la aspiración del aire dejará de funcionar cada vez que la ventana, presente en la habitación en la cual se aplica el KIT, esté cerrada.

• **La conexión eléctrica del KIT al aparato debe ser realizada por personal técnico cualificado y especializado.**

• **El KIT debe ser certificado por separado de acuerdo a las normas de seguridad pertinentes al componente y a su utilización con el aparato. La instalación debe ser realizada de acuerdo a las reglamentaciones vigentes para la instalaciones domésticas.**

ATENCIÓN:

• **el cableado del KIT para conectar al aparato debe ser parte de un circuito certificado con muy baja tensión de seguridad (SELV).**

• **el fabricante de este aparato rechaza toda responsabilidad por eventuales inconvenientes, daños, incendios provocados por defectos y/o problemas de mal funcionamiento y/o instalación inadecuada del KIT.**

Mantenimiento

Limpeza

Para la limpieza, utilice **EXCLUSIVAMENTE** un paño impregnado de detergente líquido neutro. **¡NO UTILICE UTENSILIOS O INSTRUMENTOS PARA LA LIMPIEZA!** No utilice productos que contengan abrasivos. **¡NO UTILICE ALCOHOL! ¡NO UTILICE DESINFECTANTES NI PRODUCTOS QUE CONTENGAN CLORO!**

Panel

Fig. 9

El panel de aspiración perimetral debe dejarse siempre cerrado y sólo se debe abrir en caso de mantenimiento (por ejemplo al limpiar o sustituir los filtros).

Filtro antigrasa

Fig. 9

Retiene las partículas de grasa producidas cuando se cocina.

Debe limpiarse una vez al mes (o cuando el sistema de indicación de saturación de los filtros - si está previsto en el modelo que se posee - indica esta necesidad) con detergentes no agresivos, manualmente con un cepillo de cerdas suaves o bien en lavavajillas a bajas temperaturas y con ciclo breve.

Con el lavado en el lavavajilla el filtro antigrasa metálico puede desteñirse pero sus características de filtrado no cambian absolutamente.

Para desmontar el filtro antigrasa, tirar de la manija de desenganche de muelle.

Filtro de carbón activo (solamente para la versión recirculante)

Fig. 10

Retiene los olores desagradables producidos por la cocción de alimentos.

El filtro al carbón puede lavarse cada dos meses (o cuando el sistema de indicación de saturación de los filtros - si está previsto en el modelo que se posee - indica esta necesidad) con agua caliente y detergentes adecuados o en lavavajillas a 65°C (en caso de lavado con lavavajillas, realice el ciclo de lavado completo sin platos en el interior.). Quite el agua que haya quedado en el filtro sin estropearlo, después póngalo en el horno a 100°C durante diez minutos para secarlo completamente. Cambie el almohadillado cada 3 años y cada vez que el paño se estropee.

Sustitución de la lámpara

La campana viene provista de un sistema de iluminación basado en la tecnología LED.

Los LEDS garantizan una óptima iluminación, una duración hasta 10 veces mayor de las lámparas tradicionales y permiten ahorrar el 90% de energía eléctrica. .

El sistema de iluminación no es sustituible por el usuario, en caso de mal funcionamiento póngase en contacto con el servicio de asistencia técnica.

Siga especificamente as instruções indicadas neste manual. Declina-se qualquer responsabilidade por eventuais inconvenientes, danos ou incêndios provocados ao aparelho, derivantes da inobservância das instruções indicadas neste manual. O exaustor foi concebido para a aspiração de fumos e vapores de cozedura e é destinado exclusivamente para uso doméstico.

O exaustor pode ser esteticamente diferente do modelo ilustrado neste manual, no entanto as instruções de uso, manutenção e instalação são as mesmas.

- É importante conservar este manual para eventuais consultas futuras.
Em caso de venda ou mudança, certifique-se que o manual acompanha o produto.
- Leia cuidadosamente as instruções: apresentam importantes informações sobre a instalação, uso e segurança.
- Não efectue variações elétricas ou mecânicas no produto ou nos tubos de fuga.
- Antes de prosseguir com a instalação do aparelho, verifique se todos os componentes não estão danificados. Caso contrário, contacte o seu fornecedor e não prossiga com a instalação.

Nota: As peças sinalizadas com o símbolo "(*)" são acessórios opcionais fornecidos apenas em alguns modelos ou peças não fornecidas, que devem ser compradas.

Advertências

- Antes de fazer qualquer operação de limpeza ou de manutenção, deve-se desligar o exaustor da rede elétrica retirando a tomada ou desligando a alimentação da rede elétrica.
- Usar sempre luvas de trabalho para todas as operações de instalação e manutenção.
- Este aparelho pode ser usado por crianças a partir de 8 anos de idade e por pessoas com reduzidas capacidades físicas, sensoriais e mentais, ou falta de experiência e conhecimento, desde que sejam supervisionadas ou se tiverem recebido as necessárias instruções relativas ao uso em segurança do aparelho e que tenham conhecimento dos riscos envolvidos.
- As crianças não devem ser autorizadas a manipular os comandos ou a brincar com o aparelho.

- A limpeza e a manutenção não devem ser feitas por crianças sem supervisão.

- O local onde o aparelho será instalado, deve ser suficientemente ventilado, quando o exaustor for utilizado em conjunto com outros dispositivos de combustão de gás ou outros combustíveis.

- O exaustor deve ser limpo regularmente, interna e externamente (PELO MENOS UMA VEZ POR MÊS), respeitando expressamente as indicações no manual, nas instruções de manutenção.

- A inobservância das normas de limpeza do aparelho e da substituição e limpeza dos filtros comporta riscos de incêndio.

- É severamente proibido colocar alimentos diretamente na chama, sob o exaustor.

- Para a substituição da lâmpada, utilizar apenas o tipo de lâmpada indicado na secção de Manutenção/Substituição de lâmpadas deste manual.

O uso de chama livre causa danos aos filtros e pode originar incêndios, portanto, deve ser evitado em quaisquer circunstâncias.

Os alimentos fritos devem ser feitos sob controle, para evitar que o óleo sobreaqueça e se incendeie.

CUIDADO: Peças acessíveis do exaustor podem queimar quando utilizado com a placa de fogão.

- Não ligar o aparelho à rede elétrica até que a instalação esteja totalmente concluída.

- Relativamente às medidas técnicas e de segurança a serem adotadas para a descarga de fumos, é importante respeitar rigorosamente os regulamentos fornecidos pelas autoridades locais.

• O sistema de condutas deste aparelho não pode ser conectado a outro sistema de ventilação já existente que esteja a ser usado para qualquer outra finalidade, como descarga de fumos de aparelhos a gás ou outros combustíveis.

▲ ATENÇÃO! A falta de instalação de parafusos ou dispositivos de fixação em conformidade com estas instruções, pode resultar em riscos elétricos

• Não utilizar ou deixar o exaustor sem lâmpadas corretamente montadas, devido ao possível risco de choques elétricos.

• Nunca utilizar o exaustor sem as grades montadas corretamente.

• O exaustor NUNCA deve ser utilizado como uma superfície de apoio, a menos que seja especificamente indicado.

• Usar somente os parafusos de fixação fornecidos com o aparelho, para a instalação, ou, se não for fornecido, comprar o tipo de parafuso correto.

• Usar o comprimento correto para os parafusos que são identificados no Guia de Instalação.

• Em caso de dúvida, consultar um centro de assistência autorizado ou técnico qualificado.

▲ ATENÇÃO! Não utilizar com um programador, temporizador, telecomando separado ou qualquer outro dispositivo que se ative automaticamente.

Conexão elétrica

A voltagem da rede elétrica deve corresponder com a voltagem indicada na etiqueta das características, situada no interior do exaustor. Se dotado de

ficha, conectar o exaustor a uma tomada, em conformidade com as normas vigentes, posta em zona acessível, mesmo depois da instalação. Se não tiver ficha (conexão direta à rede) ou a tomada não se encontrar numa zona acessível, mesmo depois da instalação, aplicar um interruptor bipolar, em conformidade com a norma que assegure a desconexão completa da rede nas condições da categoria de sobretensão III, de acordo com as regras de instalação.

▲ ATENÇÃO! Antes de conectar novamente o circuito do exaustor com a alimentação elétrica, verificar o seu funcionamento, e verificar se o cabo de rede está montado corretamente.

Instalação

• A distância mínima entre a superfície de suporte dos recipientes sobre o fogão e a parte mais baixa do exaustor não deve ser inferior a 70cm no caso de fogões elétricos e 100cm no caso de fogões a gás ou combinados.

Se as instruções de instalação do fogão a gás especificarem uma distância maior, deve-se levar em conta esta indicação.

Verificação do teto

O teto deve ser plano, horizontal e suficientemente sólido e resistente.

Advertências.

O exaustor foi pensado para ser instalado num teto falso.


O teto falso deve ser sólido e ter uma capacidade de carga adequada para um produto com um peso máx. de **26kg**.

Não instale o exaustor diretamente nos painéis do teto falso, mas recorra sempre a uma armação ou suporte adequado.

Este aparelho está classificado de acordo com a Diretiva Europeia 2012/19/EC - UK SI 2013 No.3113 sobre Resíduos de equipamento elétrico e eletrónico (REEE).

Ao garantir a eliminação adequada deste produto, estará a ajudar a evitar potenciais consequências negativas para o ambiente e para a saúde pública, que poderiam derivar de um manuseamento de dispersão inadequada deste produto.



O símbolo  no produto ou nos documentos que acompanham o produto, indica que este aparelho não pode receber um tratamento semelhante ao de uma dispersão doméstica.

Pelo contrário, deverá ser depositado no respectivo centro de recolha para a reciclagem de equipamento elétrico e eletrónico.

A eliminação deverá ser efetuada em conformidade com as normas ambientais locais para a eliminação de desperdícios. Para obter informações mais detalhadas sobre o tratamento, a recuperação e a reciclagem deste produto, contate o Departamento na sua localidade, o seu serviço de eliminação de desperdícios domésticos ou a loja onde adquiriu o produto.

Aparelho projetado, testado e fabricado de acordo com:

- Segurança: EN/IEC 60335-1; EN/IEC 60335-2-31, EN/IEC 62233.

- Desempenho: EN/IEC 61591; ISO 5167-1; ISO 5167-3; ISO 5168; EN/IEC 60704-1; EN/IEC 60704-2-13; EN/IEC 60704-3; ISO 3741; EN 50564; IEC 62301.

- EMC: EN 55014-1; CISPR 14-1; EN 55014-2; CISPR 14-2; EN/IEC 61000-3-2; EN/IEC 61000-3-3. Sugestões para uma utilização correta, de modo a reduzir o impacto ambiental: LIGUE o exaustor na velocidade mínima quando começar a cozinhar e mantenha-o em função por mais alguns minutos após ter terminado. Aumente a velocidade somente em caso de muito fumo ou vapor e use as velocidades altas somente em situações extremas. Substitua o(s) filtro(s) a carvão quando necessário, para manter uma boa eficiência na redução dos odores. Limpe o(s) filtro(s) de gordura quando necessário para manter uma boa eficiência. Use o diâmetro máximo do sistema de condutas indicado neste manual para otimizar a eficiência e minimizar o ruído.

Uso

A coifa é fabricada para ser utilizada na versão aspirante, com exaustão externa do ar.

Importante

É possível adquirir um Kit para o funcionamento filtrante. (ver o número seguinte "**Versão filtrante**").



Versão evacuação para o exterior

Os vapores são evacuados para o exterior, por meio de um tubo de descarga fixado à flange de conexão que se encontra sobre o exaustor.

⚠ ATENÇÃO!

O diâmetro do tubo de descarga deve ser equivalente ao diâmetro do anel de conexão.

⚠ ATENÇÃO!

Se o exaustor for dotado de filtros de carvão ativo, estes deverão ser retirados.

Conectar o exaustor aos tubos e orifícios de descarga da parede com diâmetro equivalente à saída de ar (falange de união).

O uso de tubos ou orifícios de descarga de parede com diâmetro inferior, pode provocar a diminuição do desempenho de aspiração e um drástico aumento do ruído.

Não nos responsabilizamos a este respeito.

- ! Utilizar um tubo condutor com comprimento não inferior ao indicado.

- ! Utilizar um tubo condutor com o menor número possível de curvas (ângulo máximo da curva: 90°C).

- ! Evitar alterações drásticas da seção do tubo (diâmetro).



Versão recirculação

O ar aspirado será desengordurado e desodorizado antes de ser recanalizado de volta para o ambiente.

Para usar o exaustor nesta versão é necessário instalar um sistema de filtragem adicional à base de carvão ativado.

Funcionamento



Este produto está preparado para funcionar com radiocomando Elica, é fornecido com o produto ou pode ser adquirido em separado como opcional.

Para poder controlar o exaustor através do radiocomando é necessário executar o procedimento de associação.

ATENÇÃO!

Para iniciar é necessário desligar e voltar a ligar o exaustor à rede elétrica e executar o procedimento de associação no primeiro minuto de alimentação.

Ver as instruções fornecidas com o radiocomando onde são fornecidas todas as informações para a sua associação e utilização correta.

Nota: a **Velocidade 4** (e a **Velocidade 5** onde previsto) se selecionadas ativam-se por um período limitado de tempo após o qual é ativada automaticamente a **Velocidade 2**.

Afiliação telecomando (se previsto)

A afiliação ocorrida do telecomando é visualizada na hote: ambos os LED piscam.

Nota: Através do telecomando é possível

programar o desligamento retardado com base na velocidade (potência) de aspiração ativa nesse momento:

Velocidade 1 (aspiração baixa): 20 minutos

Velocidade 2 (aspiração média): 15 minutos

Velocidade 3 (aspiração alta): 10 minutos

Indicadores de saturação dos filtros

A intervalos regulares, os LED situados na hote assinalam a necessidade de se efetuar a manutenção dos filtros.

Nota: A sinalização de saturação dos filtros é visível durante alguns segundos quando a hote se liga, neste período é efetuado o reset dos indicadores de saturação.

LED verde intermitente: efetue a manutenção do filtro de gordura.

LED vermelho intermitente: efetue a manutenção do filtro de carvão (apenas para hotes a funcionar na "Versão Filtrante").

Nota: Efetue o "RESET FILTROS" com o telecomando.

Ativação/desativação indicador saturação filtros

Nota: Proceda com a hote desligada. O indicadores de saturação dos filtros de carvão está por norma desativado.

A todo o momento, na ausência de comandos superiores a cerca de 10 seg, a hote sai automaticamente desta função para regressar ao estado anterior.

Prima e mantenha premidas as teclas **B+C** (pressão simultânea) para entrar no menu de configuração:

Prima brevemente a tecla **C** para escolher o filtro a configurar:

Filtro de gorduras: verde

Filtro de carvão: Vermelho

Prima brevemente a tecla **B** para ativar (2° LED intermitente) ou desativar (2° LED apagado).

Nota: os LED acendem-se durante um número limitado de segundos após o qual se apagam para indicar que ocorreu a ativação (ou desativação do indicador).

O aparelho está preparado para ser utilizado em combinação com um KIT sensor Window (não fornecido pelo fabricante).

Instalando o KIT sensor Window (somente no caso de uso no modo de ASPIRAÇÃO), a aspiração de ar parará de funcionar sempre que a janela existente na divisão em que o KIT é aplicado for fechada.

• A ligação elétrica do KIT ao aparelho deve ser realizada por pessoal técnico qualificado e especializado.

• O KIT deve ser certificado separadamente, de acordo com as normas de segurança pertinentes para o componente e o seu emprego com o aparelho. A instalação deve ser realizada de acordo com os regulamentos para os sistemas domésticos vigentes.

ATENÇÃO:

• a cablagem do KIT a ser ligada ao aparelho deve fazer parte de um circuito certificado com tensão de segurança muito baixa (SELV);

• o fabricante deste aparelho declina toda e qualquer responsabilidade por eventuais inconvenientes, danos, incêndios causados por defeitos e / ou problemas de mau funcionamento e / ou instalação incorreta do KIT.

Manutenção

Limpeza

Para a limpeza, utilizar um pano humedecido com detergentes líquidos neutros. Evitar o uso de produtos contendo abrasivos. **NÃO UTILIZE ÁLCOOL!**

Painel

Fig. 9

O painel perimetral de aspiração deve sempre ser mantido fechado e deve ser aberto somente em caso de manutenção (ex. Limpeza ou substituição dos filtros).

Filtro antigordura

Fig. 9

Capta as partículas de gordura provenientes da cozedura.

O Filtro de gordura deve ser limpo uma vez por mês (ou quando o sistema de indicação da saturação dos filtros - se previsto no modelo adquirido - indicar esta necessidade), com detergentes não agressivos. O filtro pode ser lavado manualmente ou em máquina de lavar louça a baixas temperaturas e com ciclo breve.

O filtro metálico para a gordura pode perder cor com as lavagens na máquina da louça, mas suas características de filtração não se alteram.

Para desmontar o filtro antigordura puxe o puxador de libertação com mola.

Filtro de carvão activo (só para a versão filtrante)

Fig. 10

Retém os odores desagradáveis produzidos durante a preparação de alimentos.

O filtro de carvão pode ser lavado de dois em dois meses (ou quando o sistema de indicação da saturação dos filtros - se previsto no modelo adquirido - indicar esta necessidade) em água quente e detergentes adequados ou em máquina de lavar louça a 65 °C (para a lavagem em máquina, utilize o ciclo completo sem colocar outra louça na máquina).

Tire a água em excesso tomando cuidado para não estragar o filtro. Em seguida deixe-o secar definitivamente no forno durante 10 minutos a 100 °C.

Substitua o pano a cada 3 anos e sempre que notar sinais de danos no tecido.

Substituição das lâmpadas

O exaustor é fornecido com um sistema de iluminação baseado na tecnologia LED.

Os LED garantem uma iluminação melhor e uma duração de até 10 vezes maior que as lâmpadas tradicionais e economizam 90% de energia elétrica.

O sistema de iluminação não pode ser substituído pelo utilizador, em caso de mau funcionamento, entre em contacto com o serviço de assistência.

Befolgen Sie die Anweisungen in diesem Handbuch genau. Wir übernehmen keinerlei Haftung für etwaige Unannehmlichkeiten, Schäden oder Brände, die durch Nichtbeachtung der Anweisungen in diesem Handbuch verursacht werden. Dieses Gerät ist ausschließlich für den Hausgebrauch und Verwendungen folgenden Typs bestimmt: – in Personalküchen von Geschäften, Büros und anderen Arbeitsumgebungen; – in Landhöfen, von Kunden in Hotels, Motels und ähnlichen Unterkünften – für Bed & Breakfasts (B&B) und ähnliche Unterkünfte. **Die Dunstabzugshaube kann anders aussehen als in den Zeichnungen in diesem Handbuch dargestellt. Die Bedienungs-, Wartungs- und Installationsanweisungen bleiben jedoch gleich.**

- Heben Sie diese Anleitung auf, um jederzeit darin nachschlagen zu können. Im Falle eines Verkaufs, einer Abtretung oder eines Umzugs ist darauf zu achten, dass die Anleitung zusammen mit dem Produkt weitergegeben wird.
- Lesen Sie die Anleitung sorgfältig durch: Sie enthält wichtige Informationen zu Installation, Gebrauch und Sicherheit.
- Führen Sie keine elektrischen oder mechanischen Veränderungen am Produkt oder an den Abluftleitungen durch.
- Vergewissern Sie sich vor der Installation des Geräts, dass alle Bauteile intakt sind. Ist dies nicht der Fall, wenden Sie sich an Ihren Händler und fahren Sie nicht mit der Installation fort.

Hinweis: Bei mit dem Symbol „(*)“ gekennzeichneten Teilen handelt es sich um optionales Zubehör, das nur bei einigen Modellen mitgeliefert wird, oder um Teile, die nicht mitgeliefert werden, aber käuflich erworben werden können.



Vorsicht

- Trennen Sie die Haube vor jeder Reinigung oder Wartung vom Stromnetz, indem Sie den Stecker ziehen oder die Stromzufuhr unterbrechen.
- Tragen Sie bei allen Installations- und Wartungsarbeiten immer Arbeitshandschuhe.
- Dieses Gerät kann von Kindern ab 8 Jahren und Personen mit eingeschränkten körperlichen, sensorischen oder geistigen Fähigkeiten oder mangelnder Erfahrung und mangelndem Wissen benutzt werden, wenn diese in die sichere Bedienung des Geräts eingewiesen wurden oder beaufsichtigt werden und die damit verbundenen Gefahren verstanden haben.
- Kinder dürfen sich nicht an den Bedienelementen zu schaffen machen oder mit dem Gerät spielen.
- Kinder dürfen das Gerät nur unter Aufsicht reinigen und pflegen.
- Die Räumlichkeiten, in denen das Gerät installiert ist, müssen ausreichend belüftet sein, wenn die Dunstabzugshaube zusammen mit anderen Gasverbrennungsgeräten oder anderen

Brennstoffen verwendet wird.

- Die Haube muss regelmäßig von innen und außen gereinigt werden (MINDESTENS EINMAL IM MONAT).
- Dies muss in Übereinstimmung mit der mitgelieferten Wartungsanleitung erfolgen. Die Nichtbeachtung der Anweisungen für die Reinigung der Haube und Filter führt zu Brandgefahr.
- Flambieren Sie keine Gerichte unter der Abzugshaube.
- Entfernen Sie die Filter nicht während des Kochens.
- Verwenden Sie zum Auswechseln der Leuchten nur den Leuchtyp, der im Abschnitt **Wartung/ Ersetzen der Leuchten** in diesem Handbuch angegeben ist.

Die Verwendung offener Flammen ist schädlich für die Filter und kann ein Brandrisiko darstellen und muss daher unter allen Umständen vermieden werden.

Gehen Sie beim Frittieren besonders vorsichtig vor, damit sich das Öl nicht überhitzt und entzündet.

VORSICHT: Es ist möglich, dass sich bestimmte Teile der Abzugshaube beim Kochen stark erhitzen.

- Schließen Sie das Gerät erst dann an das Stromnetz an, wenn die Installation vollständig abgeschlossen ist.
- Hinsichtlich der technischen und sicherheitstechnischen Maßnahmen, die bei der Ableitung von Dämpfen zu ergreifen sind, ist es wichtig, die von den örtlichen Behörden erlassenen Vorschriften genau zu beachten.
- Die Abluft darf nicht in einen Rauchfang geleitet werden, der auch für die Abgase einer Gas- oder Ölheizung verwendet wird.

▲ WARNUNG! Werden Schrauben nicht richtig festgezogen oder wird das Gerät nicht gemäß dieser Anleitung eingebaut, können Gefahren durch elektrischen Strom entstehen.

- Benutzen Sie die Haube nicht, wenn die Leuchte nicht korrekt montiert ist, da die Gefahr eines elektrischen Schlages besteht.
- Verwenden Sie die Haube niemals ohne wirksam angebrachte Gitter.
- Die Haube darf NIEMALS als Auflagefläche verwendet werden, es sei denn, dies ist ausdrücklich angegeben.
- Verwenden Sie für die Installation nur die mit dem Produkt gelieferten Befestigungsschrauben oder kaufen Sie, falls nicht mitgeliefert, den richtigen Schraubentyp.
- Verwenden Sie die in der Installationsanleitung angegebene Schraubenlänge.
- Wenden Sie sich im Zweifelsfall an eine autorisierte Kundendienststelle oder eine ähnlich qualifizierte Person.

⚠️ WARNUNG! Verwenden Sie das Gerät nicht mit einem Programmierer, einer Zeitschaltuhr, einem separaten Fernbedienungssystem oder einem anderen Gerät, das sich automatisch einschaltet.

⚠️ Elektrischer Anschluss

Die Netzspannung muss dem auf dem Schild im Inneren der Haube angegebenen Wert entsprechen. Wenn die Haube mit einem Stecker versehen ist, schließen Sie sie nach der Installation an eine Steckdose an, die den geltenden Vorschriften entspricht und sich in einem zugänglichen Bereich befindet. Wenn das Gerät nicht mit einem Stecker ausgestattet ist (direkter Netzanschluss) oder wenn sich der Stecker nicht in einem zugänglichen Bereich befindet, muss nach der Installation ein zweipoliger, normgerechter Schalter verwendet werden, der die vollständige Abschaltung des Netzes unter den Bedingungen der Überstromkategorie III gewährleistet, und zwar gemäß den Installationsanweisungen.

⚠️ WARNUNG! Bevor Sie die Haube wieder an das Stromnetz anschließen und die Funktionstüchtigkeit überprüfen, kontrollieren Sie immer, ob das Netzkabel korrekt montiert ist.

Installation

- Der Mindestabstand zwischen der Auflagefläche für das Kochgeschirr auf dem Kochfeld und dem untersten Teil der Dunstabzugshaube muss bei Elektroherden mindestens 70 cm und bei Gas- oder Mischherden mindestens 100 cm betragen. Wenn in der Installationsanleitung für das Gaskochfeld ein größerer Abstand angegeben ist, muss dieser eingehalten werden.

Kontrolle der Decke

Die Decke muss flach, waagrecht, stabil und widerstandsfähig genug sein.

Warnungen


Die Dunstabzugshaube ist auch für den Einbau in eine Zwischendecke vorgesehen. Die Zwischendecke muss stabil sein und eine Tragfähigkeit aufweisen, die für ein Produkt mit einem maximalen Gewicht von **26 kg** geeignet ist.

Installieren Sie die Haube nicht direkt an Zwischendeckenplatten, sondern verwenden Sie einen geeigneten Rahmen oder eine Stütze.

- Dieses Elektrohaushaltsgerät ist entsprechend der EU-Richtlinie 2012/19/EC (UK SI 2013 No.3113) über Elektro- und Elektronik-Altgeräte (WEEE) gekennzeichnet.

- Bitte stellen Sie sicher, dass das Produkt nach seiner Außerbetriebnahme ordnungsgemäß entsorgt wird. Damit tragen Sie dazu bei, gesundheits- und umweltschädigende Auswirkungen zu verhindern, die eine nicht korrekte Entsorgung am Ende der Nutzungsdauer zur Folge haben könnte.



- Das Symbol  auf dem Produkt oder auf der Verpackung weist darauf hin, dass es nicht als Hausmüll behandelt werden darf. Stattdessen sollte es an die zuständige Sammelstelle für das Recycling von Elektro- und Elektronik-Altgeräten übergeben werden. Die Entsorgung muss im Einklang mit den geltenden Umweltrichtlinien für die Abfallentsorgung erfolgen.

- Für weitere detaillierte Informationen über das Verfahren, die Sammlung und das Recycling dieses Produkts wenden Sie sich bitte an die zuständige Abteilung Ihrer örtlichen Behörde oder an das örtliche Amt für Haushaltsabfälle oder an das Geschäft, in dem Sie dieses Produkt erworben haben.

Das Gerät wurde gemäß den folgenden Normen entwickelt, geprüft und hergestellt:

- Sicherheit: EN/IEC 60335-1; EN/IEC 60335-2-31, EN/IEC 62233.
- Leistung: EN/IEC 61591; ISO 5167-1; ISO 5167-3; ISO 5168; EN/IEC 60704-1; EN/IEC 60704-2-13; EN/IEC 60704-3; ISO 3741; EN 50564; IEC 62301.
- EMC: EN 55014-1; CISPR 14-1; EN 55014-2; CISPR 14-2; EN/IEC 61000-3-2; EN/IEC 61000-3-3. Vorschläge für eine korrekte Verwendung, um die Umweltbelastung zu verringern: Schalten Sie die Dunstabzugshaube zu Beginn des Garvorgangs bei minimaler Geschwindigkeit ein und lassen Sie sie nach Beendigung des Garvorgangs noch einige Minuten laufen. Erhöhen Sie die Geschwindigkeit nur bei starker Rauch- und Dampfentwicklung und verwenden Sie die Boost-Geschwindigkeit(en) nur in Extremsituationen. Wechseln Sie den/die Aktivkohlefilter bei Bedarf aus, um eine gute Geruchsreduzierung zu gewährleisten. Reinigen Sie den/die Fettfilter bei Bedarf, um eine gute Effizienz des Fettfilters zu erhalten. Verwenden Sie den in diesem Handbuch angegebenen maximalen Durchmesser des Abluftsystems, um die Effizienz zu optimieren und die Geräuschentwicklung zu minimieren.

Nutzung

Die Haube ist für die Absaugung konzipiert.

Wichtig

Es besteht die Möglichkeit, ein Kit für die Filterfunktion zu erwerben (siehe nächster Abschnitt „**Version der Filterung**“).



Absaugversion

In diesem Fall werden die Dämpfe über ein spezielles Rohr, das mit dem Anschlussring oben auf der Haube verbunden ist, aus dem Gebäude geleitet.

⚠ VORSICHT!

Das Abluftrohr ist nicht im Lieferumfang enthalten und muss separat erworben werden.

Der Durchmesser des Abluftrohrs muss dem Durchmesser des Anschlussrings entsprechen.

⚠ VORSICHT!

Wenn die Haube mit einem Aktivkohlefilter ausgestattet ist, muss dieser entfernt werden.

Verbinden Sie die Haube und die Auslassöffnungen an den Wänden mit einem Durchmesser, der dem des Abluftanschlusses entspricht (Anschlussflansch).

Die Verwendung von Rohren und Auslassöffnungen an Wänden mit geringeren Abmessungen führt zu einer Verringerung der Saugleistung und einem drastischen Anstieg der Geräuschentwicklung.

Für Fälle dieser Art übernehmen wir keinerlei Haftung.

! Verwenden Sie einen Abluftkanal mit der erforderlichen Mindestlänge.

! Verwenden Sie einen Abluftkanal mit möglichst wenig Krümmungen (maximaler Krümmungswinkel: 90°).

! Vermeiden Sie drastische Änderungen des Kanalquerschnitts.



Filterversion

Die angesaugte Luft wird entfettet und desodoriert, bevor sie wieder in den Raum geleitet wird.

Um die Dunstabzugshaube in dieser Version verwenden zu können, müssen Sie ein zusätzliches Filtersystem auf Aktivkohlebasis installieren.

Betrieb



Dieses Produkt ist für den Betrieb mit einer Elica-Fernbedienung ausgelegt, die entweder mit dem Produkt geliefert oder separat als Option erworben wird.

Um die Haube über die Fernbedienung zu steuern, muss ein Zuordnungsverfahren durchgeführt werden.

VORSICHT!

Zu Beginn muss die Abzugshaube vom Stromnetz getrennt und wieder angeschlossen werden, und der Zuordnungsvorgang muss innerhalb der ersten Minute nach dem Anschluss an das Stromnetz durchgeführt werden.

Lesen Sie die mit der Fernbedienung gelieferte Anleitung, die detaillierte Anweisungen zur Zuordnung und zum richtigen Gebrauch enthält.

Hinweis: Die **Geschwindigkeitsstufe 4** (und gegebenenfalls die **Geschwindigkeitsstufe 5**) wird für einen begrenzten Zeitraum aktiviert, danach wird automatisch die **Geschwindigkeitsstufe 2** aktiviert.

Anschluss für die Fernbedienung (falls zutreffend)

Sobald die Fernbedienung angeschlossen ist, wird dies auf der Haube angezeigt:

Beide LEDs blinken.

Hinweis: Über die Fernbedienung kann eine verzögerte Abschaltung auf der Grundlage der zu diesem Zeitpunkt aktivierten Ansauggeschwindigkeit (Leistung) programmiert werden:

Stufe 1 (geringe Ansaugung): 20 Minuten

Geschwindigkeit 2 (mittlere Ansaugung): 15 Minuten

Stufe 3 (hohe Ansaugung): 10 Minuten

Filter-Sättigungsanzeige leuchtet

In regelmäßigen Abständen zeigen die LEDs auf der Haube an, dass eine Filterwartung erforderlich ist.

Hinweis: Das Sättigungssignal des Filters ist beim Einschalten der Haube für einige Sekunden sichtbar; innerhalb dieser Zeit müssen die Sättigungsanzeigelampen zurückgesetzt werden.

Blinkende grüne LED: Wartung des Fettfilters durchführen.

Rot blinkende LED: Wartung des Aktivkohlefilters durchführen (nur bei Hauben, die in der Filterversion betrieben werden).

Hinweis: Führen Sie „**FILTER ZURÜCKSETZEN**“ über die Fernbedienung aus.

Aktivieren/Deaktivieren der Anzeige der Filtersättigung

Hinweis: Führen Sie das Verfahren bei ausgeschalteter Dunst- abzugshaube durch. Die Sättigungsanzeige des Aktivkohlefilters ist in der Regel deaktiviert.

Erfolgt innerhalb von maximal 10 Sekunden keine Ansteuerung, verlässt die Haube diese Funktion automatisch und kehrt in den vorherigen Zustand zurück.

Halten Sie die Tasten **B+C** (gleichzeitig) gedrückt, um das Einstellungs- menü aufzurufen:

Drücken Sie kurz auf die Taste **C**, um den einzurichtenden Filter auszuwählen:

Fettfilter: Grün

Aktivkohlefilter: Rot

Drücken Sie kurz auf die Taste **B**, um ihn zu aktivieren (die 2. LED blinkt) oder zu deaktivieren (2. LED aus).

Hinweis: Die LEDs leuchten für eine begrenzte Anzahl von Sekunden auf und erlöschen dann, um anzuzeigen, dass die Kontrollleuchte aktiviert (oder deaktiviert) wurde.

Das Gerät kann auch in Kombination mit einem Fenstersensor- KIT (nicht vom Hersteller geliefert) verwendet werden.

Wenn der Fenstersensor KIT installiert ist (nur bei Verwendung im ABSAUG-Modus), wird die Luftabsaugung jedes Mal angehalten, wenn das Fenster im Raum, an dem der KIT angebracht ist, geschlossen wird.

- **Der elektrische Anschluss des Sensors KIT an das Gerät muss von qualifiziertem Fachpersonal vorgenommen werden.**
- **Der Sensor KIT muss gemäß den Sicherheitsnormen für die Komponente und ihre Verwendung mit dem Gerät separat zertifiziert werden. Die Installation muss in Übereinstimmung mit den geltenden Vorschriften für Hausinstallationen durchgeführt werden.**

BITTE BEACHTEN SIE:

- **Die Verkabelung des Sensors KIT, die an das Gerät angeschlossen werden soll, muss Teil eines zertifizierten Schutzkleinspannungskreises (SELV) sein.**
- **Der Hersteller dieses Geräts lehnt jede Haftung für Unannehmlichkeiten, Schäden oder Brände ab, die durch Defekte und/oder Probleme im Zusammenhang mit der Fehlfunktion und/oder der falschen Installation des Sensors KIT entstehen.**

Wartung

Reinigung

Reinigen Sie das Gerät **NUR** mit einem mit neutralem Flüssig- waschmittel angefeuchteten Tuch. **NICHT MIT WERKZEUGEN ODER INSTRUMENTEN REINIGEN.** Verwenden Sie kein Scheuermittel. **KEIN ALKOHOL VERWENDEN!**

Ansaugplatte

Abb. 9

Die Klappe für die Randabsaugung sollte immer geschlossen bleiben und nur bei Wartungseingriffen (z. B. Reinigung oder Austausch von Filtern) geöffnet werden.

Fettfilter

Abb. 9

Fängt Kochfettpartikel auf.

Der Fettfilter muss einmal im Monat (oder wenn das System zur Anzeige der Filtersättigung – sofern bei dem betreffenden Modell vorgesehen – diese Notwendigkeit anzeigt) mit nicht aggressiven Reinigungsmitteln gereinigt werden, entweder von Hand oder im Geschirrspüler, der auf eine niedrige Temperatur und einen kurzen Zyklus eingestellt werden muss.

Bei der Reinigung in der Spülmaschine kann sich der Fettfilter leicht verfärben, was die Filterleistung jedoch nicht beeinträchtigt.

Um den Fettfilter herauszunehmen, betätigen Sie die Federentriegelung.

Aktivkohlefilter (nur Filterversion)

Abb. 10

Der Filter absorbiert unangenehme Gerüche, die beim Kochen entstehen.

Der Aktivkohlefilter kann einmal alle zwei Monate (oder wenn das System zur Anzeige der Filtersättigung – sofern bei dem betreffenden Modell vorgesehen – diese Notwendigkeit anzeigt) mit heißem Wasser und einem geeigneten Reinigungsmittel oder in der Geschirrspülmaschine bei 65 °C gewaschen werden (bei Verwendung des Geschirrspülers die Funktion „Voller Zyklus“ wählen und nicht gleichzeitig Geschirr reinigen).

Entfernen Sie das überschüssige Wasser, ohne den Filter zu beschädigen, und legen Sie ihn dann für 10 Minuten bei 100° C in den Ofen, um ihn vollständig zu trocknen. Ersetzen Sie den Einsatz alle 3 Jahre bzw. immer dann, wenn die Filtermatte beschädigt ist.

Ersetzen der Leuchten

Die Haube ist mit einem Beleuchtungssystem ausgestattet, das auf LED-Technologie basiert.

Die LEDs garantieren eine optimale Beleuchtung, eine bis zu 10-mal längere Leuchtdauer als herkömmliche Leuchten und sie ermöglichen eine Einsparung von 90% elektrischer Energie.

Das Beleuchtungssystem kann nicht vom Benutzer ausgetauscht werden, wenden Sie sich im Falle einer Störung an den Kundendienst.

Volg de instructies in deze handleiding nauwgezet op. Alle verantwoordelijkheid, voor eventuele ongemakken, schade of brand als gevolg van het niet naleven van de instructies in deze handleiding, wordt afgewezen. Dit apparaat is bedoeld voor huishoudelijk gebruik of voor soortgelijke toepassingen, zoals: - personeelskeukens in winkels, kantoren en andere werkomgevingen; - boerderijen; - door klanten in hotels, motels en andere woonomgevingen; - bed and breakfasts.

De afzuigkap kan er anders uitzien dan de tekeningen in dit boekje. De instructies voor gebruik, onderhoud en installatie blijven echter dezelfde.

- Het is belangrijk om dit boekje te bewaren om het op elk gewenst moment te kunnen raadplegen. Zorg er in het geval van verkoop, overdracht of verhuizen voor dat boekje bij het product is.
- Lees de gebruiksaanwijzing zorgvuldig door: er staat belangrijke informatie in over installatie, gebruik en veiligheid.
- Voer geen elektrische of mechanische wijzigingen uit aan het product of aan de afvoerleidingen.
- Controleer voordat u het apparaat gaat installeren of er geen onderdelen zijn beschadigd. Neem anders contact op met uw dealer en ga niet verder met de installatie.

Opmerking: De onderdelen die zijn gemarkeerd met het symbool "(*)" zijn optionele accessoires die alleen bij sommige modellen worden geleverd of anderszins niet worden geleverd, maar maar wel te koop zijn.



Voorzichtig

- Sluit voordat u het apparaat reinigt of onderhoudt de afzuigkap af van de netvoeding door de stekker uit het stopcontact te halen of de netvoeding los te koppelen.
- Draag altijd werkhandschoenen voor alle installatie- en onderhoudswerkzaamheden.
- Dit apparaat mag worden gebruikt door kinderen vanaf 8 jaar en door personen met verminderde lichamelijke, zintuiglijke of geestelijke vermogens of met een gebrek aan kennis en ervaring, mits zij onder toezicht worden gehouden of instructies hebben gekregen om het apparaat veilig te kunnen gebruiken en de gevaren begrijpen die ermee gepaard gaan.
- Kinderen mogen niet aan de bedieningselementen komen of met het apparaat spelen.
- Het schoonmaken en het onderhoud mag niet door kinderen worden uitgevoerd als er geen toezicht is.
- De ruimten waar het apparaat wordt geïnstalleerd, moeten voldoende geventileerd zijn, wanneer de afzuigkap samen met andere gasver-

brandingstoestellen of andere brandstoffen wordt gebruikt.

- De kap moet aan zowel de binnenkant als de buitenkant regelmatig worden gereinigd (TEN MINSTE EENMAAL PER MAAND).
- Dit moet worden uitgevoerd in overeenstemming met de onderhoudsinstructies. Het niet opvolgen van de instructies voor het reinigen van de afzuigkap en de filters leidt tot brandgevaar.
- Niet flamberen onder de afzuigkap.
- Verwijder de filters niet tijdens het koken.
- Gebruik voor het vervangen van de lamp alleen het lamptype dat staat aangegeven in het gedeelte Onderhoud/Lampen vervangen van deze handleiding.

Het gebruik van open vlammen is schadelijk voor de filters en kan een brandgevaar vormen en moet daarom in alle omstandigheden worden vermeden.

Frituren en moet voorzichtig worden uitgevoerd om ervoor te zorgen dat de olie niet oververhit raakt en in brand vliegt.

VOORZICHTIG: Bij gebruik van kooktoestellen kunnen toegankelijke delen van de afzuigkap heet worden.

- Sluit het apparaat niet aan op het elektriciteitsnet voordat de installatie volledig is voltooid.
- Met betrekking tot de te nemen technische en veiligheidsmaatregelen voor het afvoeren van dampen is het van belang dat de voorschriften van de plaatselijke autoriteiten nauwkeurig worden gevolgd.
- De lucht mag niet worden afgevoerd in een pijp die wordt gebruikt voor de afgevoerde dampen van toestellen die gas of andere brandstoffen verbranden.
- **⚠ WAARSCHUWING!** Wanneer de schroeven of de bevestiging niet volgens deze instructies worden aangebracht, kan dit elektrische gevaren met zich meebrengen.

- Gebruik de kap niet en laat de kap niet achter zonder dat de lamp goed is gemonteerd, vanwege het mogelijke gevaar voor elektrische schokken.

- Gebruik de afzuigkap nooit zonder dat de roosters goed zijn aangebracht.

- De kap mag **NOOIT** worden gebruikt als steunoppervlak, tenzij specifiek aangegeven.

- Gebruik alleen de bij het product geleverde bevestigingsschroeven voor de installatie of, als die niet zijn geleverd, koop dan het juiste type schroeven.

- Gebruik de juiste lengte voor de schroeven die in de Installatiegids worden geïdentificeerd.

- Raadpleeg in geval van twijfel een erkend servicecentrum of een vergelijkbaar gekwalificeerde persoon.

⚠ WAARSCHUWING! Niet gebruiken met een programmeerinrichting, timer, aparte afstandsbediening of een ander apparaat dat automatisch inschakelt.

⚠ Elektrische aansluiting

De netvoeding moet overeenkomen met het type dat is aangegeven op het plaatje in de afzuigkap. Als de afzuigkap is voorzien van een stekker, sluit u de afzuigkap na installatie aan op een stopcontact dat voldoet aan de geldende voorschriften en dat op een toegankelijke plaats zit. Als hij niet is voorzien van een stekker (directe aansluiting op de netvoeding) of als de stekker na de installatie niet bereikbaar is, breng dan een dubbelpolige schakelaar aan volgens de normen die de volledige ontkoppeling van het elektriciteitsnet garandeert onder omstandigheden die verband houden met overstroom van categorie III, in overeenstemming met de installatie-instructies.

⚠ WAARSCHUWING! Controleer altijd of het netsnoer goed is gemonteerd voordat u het circuit van de afzuigkap weer op het net aansluit en controleert of deze goed werkt.

Installatie

- De minimale afstand tussen het steunoppervlak voor de kookapparatuur op het fornuis en het laagste deel van de afzuigkap mag niet minder dan 70 cm van elektrische fornuizen en 100 cm van gas of gemengde fornuizen bedragen.

Als de installatie-instructies voor de gaskookplaat een grotere afstand aangeven, moet dit worden nageleefd.

Controle van het plafond

Het plafond moet vlak, horizontaal, stevig genoeg en resistent zijn

Waarschuwingen


De kap is ontworpen om te worden geïnstalleerd in een verlaagd plafond. Het verlaagde plafond moet stevig zijn en een draagvermogen hebben dat geschikt is voor een product met maximaal **26 kg gewicht**.

Installeer de kap niet rechtstreeks in de verlaagde plafondpanelen, maar gebruik een geschikt frame of steun.

- Dit apparaat is gemarkeerd conform de Europese Richtlijn 2012/19/EG - UK SI 2013 Nr.3113 betreffende afgedankte elektrische en elektronische apparatuur (AEEA).

- Door dit product correct te verwijderen, helpt u potentiële negatieve gevolgen voor het milieu en de menselijke gezondheid te voorkomen, die anders door de verkeerde behandeling van dit product als afval zouden kunnen worden veroorzaakt.



- Het symbool  op het product of op de documenten bij het product geeft aan dat dit apparaat niet als huishoudelijk afval mag worden behandeld. In plaats daarvan moet het worden ingeleverd bij het speciale inzamelpunt voor de recycling van elektrische en elektronische apparatuur. De verwijdering moet in overeenstemming met plaatselijke milieuvorschriften voor afvalverwerking worden uitgevoerd.

- Voor meer gedetailleerde informatie over de verwerking, de inzameling en de recycling van dit product kunt u contact opnemen met de betreffende afdeling van uw lokale overheid of de lokale afdeling voor huishoudelijk afval of de winkel waar u dit product heeft gekocht.

Apparaat dat is ontworpen, getest en vervaardigd volgens:

- Veiligheid: EN/IEC 60335-1; EN/IEC 60335-2-31, EN/IEC 62233.
- Prestaties: EN/IEC 61591; ISO 5167-1; ISO 5167-3; ISO 5168; EN/IEC 60704-1; EN/IEC 60704-2-13; EN/IEC 60704-3; ISO 3741; EN 50564; IEC 62301.
- EMC: EN 55014-1; CISPR 14-1; EN 55014-2; CISPR 14-2; EN/IEC 61000-3-2; EN/IEC 61000-3-3. Suggesties voor een correct gebruik om de invloed op het milieu te verminderen: Zet de afzuigkap AAN op de minimumsnelheid wanneer u begint met koken en laat deze nog enkele minuten nadat de bereiding is voltooid, draaien. Verhoog de snelheid alleen in geval van grote hoeveelheden rook en damp en gebruik boost snelhe(i)d(-en) alleen in extreme situaties. Vervang de koolstoffilter(s) wanneer dat nodig is om een goede efficiëntie van de geurverwijdering te handhaven. Reinig de vetfilters wanneer dat nodig is om een goede efficiëntie van het vetfilter te garanderen. Gebruik de maximale diameter van het leidingsysteem zoals aangegeven in deze handleiding om de efficiëntie te optimaliseren en het geluid te minimaliseren.

Gebruik

De kap is ontworpen om te worden gebruikt voor de uitlaatversie.

Belangrijk

Het is mogelijk om een Kit te kopen voor de filterfunctie (zie de volgende paragraaf "Filterversie").



Afzuigversie

In dit geval worden de dampen buiten het gebouw geleid door middel van een speciale pijp verbonden met de verbindingsring bovenop de kap.

⚠ VOORZICHTIG!

De uitlaatpijp wordt niet meegeleverd en moet apart worden gekocht. De diameter van de uitlaatpijp moet gelijk zijn aan die van de verbindingsring.

⚠ VOORZICHTIG!

Als de kap wordt geleverd met actief koolfilter, moet dit worden verwijderd.

Sluit de afzuigkap en afvoergaten aan op de wanden met een diameter die overeenkomt met de luchtuiltaat (verbindingsflens). Het gebruik van de buizen en de afvoergaten op wanden met kleinere afmetingen zal leiden tot een verzwakking van de afzuigprestatie en een drastische toename van het geluid.

Elke verantwoordelijkheid op dit gebied wordt daarom afgewezen.

! Gebruik een kanaal met een minimaal noodzakelijke lengte.

! Gebruik een luchtkanaal met zo weinig mogelijk bochten (maximum hoek elleboogdeel: 90°).

! Vermijd drastische veranderingen in de buisdoorsnede.



Filterversie

De afgezogen lucht wordt ontvet en de geur wordt eruit verwijderd voordat deze weer in de kamer wordt gebracht.

Om de kap in deze versie te gebruiken, moet u een systeem van extra filtering op basis van geactiveerde houtskool installeren.

Bediening



Dit product is ontworpen om te werken met een Elica afstandsbediening, die bij het product wordt geleverd of afzonderlijk wordt gekocht als optie.

Om de kap te bedienen via afstandsbediening, moet de aansluitingsprocedure worden uitgevoerd.

VOORZICHTIG!

Om te beginnen moet de kap worden losgekoppeld en dan opnieuw worden aangesloten op de voeding en de aansluitingsprocedure moet worden uitgevoerd binnen de eerste minuut na de aansluiting op de stroom.

Lees de bij de afstandsbediening geleverde instructies, die gedetailleerde instructies geven over aansluiting en correct gebruik.

Opmerking: snelheid 4 (en **snelheid 5**, indien van toepassing) zal, als deze wordt geselecteerd, gedurende een beperkte periode worden geactiveerd, waarna **Snelheid 2** automatisch wordt ingeschakeld.

Verbinding van de afstandsbediening (indien van toepassing)

Zodra de afstandsbediening is aangesloten, wordt dit weergegeven op de afzuigkap:
beide leds knipperen.

Opmerking: Met de afstandsbediening kan vertraagde uitschakeling worden geprogrammeerd op basis van de op dat moment ingestelde afzuigsnelheid (vermogen) :

Snelheid 1 (lage afzuiging): 20 minuten

Snelheid 2 (gemiddelde afzuiging): 15 minuten

Snelheid 3 (hoge afzuiging): 10 minuten

Indicatielampjes filterverzadiging

Met regelmatige tussenpozen geven de leds op de afzuigkap aan dat het filteronderhoud moet worden uitgevoerd.

Opmerking: Het filterverzadigingssignaal is enkele seconden zichtbaar wanneer de afzuigkap wordt ingeschakeld; binnen deze tijd moeten de verzadigingsindicatielampjes worden gereset.

Groene led knippert: voer onderhoud uit van het vetfilter.

Rode led knippert: voer onderhoud uit van het koolstoffilter (alleen voor afzuigkappen die werken in "Filtratieversie").

Opmerking: Voer het commando "RESET FILTERS" uit via de afstandsbediening.

Indicatielampje filterverzadiging activeren/deactiveren

Opmerking: Voer de procedure uit met de afzuigkap uitgeschakeld. Het indicatielampje filterverzadiging is gewoonlijk gedeactiveerd. Als er geen opdracht wordt gegeven binnen maximaal 10 sec., sluit de kap automatisch deze functie uit, en keert terug naar de vorige toestand.

Houd de toetsen **B+C** (tegelijkertijd) ingedrukt om het instellingenmenu te openen:

Druk kort op toets **C** om het in te stellen filter te selecteren:

Vetfilter: Groen

Koolstoffilter: Rood

Druk kort op de toets **B** om te activeren (de 2e led knippert) of de deactiveren (2de led uit).

Opmerking: de leds branden gedurende een beperkt aantal seconden, waarna ze uitgaan om aan te geven dat het indicatielampje is geactiveerd (of gedeactiveerd).

Het apparaat kan ook gebruikt worden in combinatie met een venstersensor-kit (niet geleverd door de fabrikant).

Als de venstersensor-kit is geïnstalleerd (alleen in het geval van gebruik in AFVOER-modus), stopt de luchtafvoer steeds wanneer het venster in de kamer, waarop de kit is aangebracht, wordt gesloten.

- De **KIT moet elektrisch op het apparaat zijn aangesloten door gekwalificeerd en gespecialiseerd technisch personeel.**
- De **KIT moet afzonderlijk gecertificeerd zijn in overeenstemming met de veiligheidsnormen voor het onderdeel en het gebruik ervan met het apparaat. De installatie moet worden uitgevoerd in overeenstemming met de geldende voorschriften voor huishoudelijke systemen.**

LET OP:

- de bedrading van de **KIT** die op het apparaat moet worden aangesloten, moet deel uitmaken van een gecertificeerd veiligheidscircuit voor extra lage spanning (SELV).
- de fabrikant van dit apparaat wijst alle aansprakelijkheid af voor eventuele ongemakken, beschadigingen of brand als gevolg van defecten en/of problemen die verband houden met de storing en/of onjuiste installatie van de **KIT**.

Onderhoud

Reinigen

Reinig **UITSLUITEND** met een doek die is bevochtigd met een neutraal vloeibaar reinigingsmiddel. **NIET REINIGEN MET GEREEDSCHAP OF INSTRUMENTEN.** Gebruik geen schurende producten. **GBRUIK GEEN ALCOHOL!**

Paneel

Afb. 9

Het paneel voor perimeterafzuiging moet altijd gesloten blijven en mag alleen worden geopend bij onderhoudsingenrepen (bijv. Reinigen of filters vervangen).

Vetfilter

Afb. 9

Vangt vetdeeltjes op tijdens het koken

Dit moet eenmaal per maand worden gereinigd (of wanneer het filterverzadigingsindicatiesysteem - als dat voorzien is op het model in uw bezit - aangeeft dat dit nodig is) met niet agressieve reinigingsmiddelen, met de hand of in de vaatwasser, die moet worden ingesteld op een lage temperatuur en een kort programma. Wanneer het in een afwasmachine wordt gewassen, kan het vetfilter enigszins verkleuren, maar dit heeft geen invloed op de filtercapaciteit.

Om het vetfilter te verwijderen, trekt u aan de veerontgrendeling.

Koolstoffilter (alleen filterversie)

Afb. 10

Absorbeert onaangename geuren als gevolg van koken.

Het koolstoffilter kan eenmaal per twee maanden worden gewassen (of wanneer het filterverzadigingsindicatiesysteem - als dat voorzien is op het model in bezit - aangeeft dat dit nodig is) met warm water en een geschikt wasmiddel, of in een vaatwasser op 65°C (als de vaatwasser wordt gebruikt, selecteert u de volledige cyclusfunctie maar zet u er verder geen vaat in).

Verwijder overtollig water zonder het filter te beschadigen en zet het dan 10 minuten in de oven op 100 °C om volledig te drogen. Vervang het filter om de 3 jaar en wanneer de doek beschadigd is.

Lampen vervangen

De afzuigkap is uitgerust met een verlichtingssysteem op basis van LED-technologie.

De leds garanderen een optimale verlichting, een duur tot 10 keer langer dan de traditionele lampen en zorgen voor een besparing van 90% van de elektrische energie.

Het verlichtingssysteem kan niet worden vervangen door de gebruiker, neem contact op met de klantenservice in geval van storing.

Postępuj ściśle zgodnie z instrukcjami zawartymi w tej instrukcji. Producent zrzeka się wszelkiej odpowiedzialności za ewentualne niedo-
godności, uszkodzenia lub pożary spowodowane nieprzestrzeganiem
zaleceń zawartych w niniejszej instrukcji. Urządzenie jest przeznaczone do
użytku domowego oraz do innych podobnych zastosowań, takich jak: - kuchnie
dla personelu w sklepach, biurach i innych miejscach pracy; - gospodarstwa;
- przez klientów w hotelach, motelach i innych miejscach mieszkalnych;
- pensjonatach.

**Okap może wyglądać inaczej niż ten przedstawiony na rysunkach
w tej broszurze. Jednak instrukcje użytkowania, konserwacji i instalacji
pozostają takie same.**

- Niniejszej broszury nie należy wyrzucać, ponieważ może się ona okazać przydatna w trakcie eksploatacji. W przypadku sprzedaży, przekazania lub przeprowadzki zadбай, aby została ona dołączona do produktu.
- Przeczytaj uważnie niniejszą instrukcję: zawiera ona ważne informacje dotyczące instalacji, użytkowania i bezpieczeństwa.
- Nie wprowadzaj żadnych zmian w elementach elektrycznych ani mechanicznych produktu ani przewodach odprowadzających.
- Przed przystąpieniem do instalacji urządzenia upewnij się, że żaden z elementów nie jest uszkodzony. W przeciwnym razie skontaktuj się ze sprzedawcą i nie kontynuuj instalacji.

Uwaga: Części oznaczone symbolem „(*)” są opcjonalnymi akcesoriami dostarczonymi tylko z niektórymi modelami lub dostępnymi do zakupu.

Ostrożnie

- Przed przystąpieniem do czyszczenia lub konserwacji należy odłączyć okap od sieci elektrycznej poprzez wyjęcie wtyczki lub odłączenie zasilania elektrycznego.
- Podczas wykonywania wszystkich czynności instalacyjnych i konserwacyjnych należy zawsze nosić rękawice robocze.
- Urządzenie może być obsługiwane przez dzieci powyżej 8 roku życia i przez osoby o ograniczonych możliwościach fizycznych, sensorycznych lub umysłowych lub osoby nieposiadające doświadczenia ani wiedzy pod warunkiem, że są one pod odpowiednim nadzorem lub zostały poinstruowane, jak bezpiecznie obsługiwać urządzenie i rozumieją związane z nim zagrożenia.
- Nie wolno pozwalać dzieciom na manipulowanie przy elementach sterujących ani na bawienie się urządzeniem.
- Czyszczenie i konserwacja nie mogą być wykonywane przez dzieci bez dozoru.

- Pomieszczenie, w którym zainstalowane jest urządzenie, musi być odpowiednio wentylowane, gdy okap kuchenny jest używany razem z innymi urządzeniami do spalania gazu lub innymi paliwami.

- Okap należy regularnie czyścić zarówno wewnątrz, jak i na zewnątrz (CO NAJMNIJ RAZ W MIESIĄCU).

- Takie czynności muszą być wykonywane zgodnie z dostarczonymi instrukcjami konserwacji. Niezastosowanie się do podanych instrukcji dotyczących czyszczenia okapu i filtrów wiąże się z ryzykiem pożaru.

- Nie należy zbliżać płomienia do okapu kuchennego.

- Nie wyjmuj filtrów podczas gotowania.

- Do wymiany lampy używaj tylko typu lampy wskazanego w rozdziale niniejszej instrukcji dotyczącej konserwacji/wymiany lamp.

Stosowanie otwartego płomienia jest szkodliwe dla filtrów i może stwarzać ryzyko pożaru. Dlatego należy go unikać we wszystkich okolicznościach. Podczas smażenia należy zachować ostrożność, aby olej się nie przegrzał i nie zapalił.

OSTROŻNIE: Dostępne części okapu mogą się nagrzewać podczas używania z urządzeniami do gotowania.

- Nie podłączaj urządzenia do sieci, dopóki instalacja nie zostanie całkowicie zakończona.

- W odniesieniu do środków technicznych i bezpieczeństwa, jakie należy zastosować do odprowadzania oparów, ważne jest ściśle przestrzeganie lokalnych przepisów.

- Nie wolno odprowadzać powietrza do przewodu kominowego wykorzystywanego do odprowadzania spalin z urządzeń spalających gazy lub inne paliwa.

▲ OSTRZEŻENIE! Zamocowanie wkrętów lub urządzenia mocującego niezgodnie z niniejszą instrukcją może spowodować zagrożenie elektryczne.

- Nie używaj ani nie pozostawiaj okapu bez prawidłowo zamontowanej lampy ze względu na możliwe ryzyko porażenia prądem.
- Nigdy nie używaj okapu bez odpowiednio zamontowanych kratek.
- Okap NIGDY nie może być używany jako wspornik, chyba że zostało to wyraźnie wskazane.
- Do instalacji należy używać wyłącznie śrub mocujących dostarczonych z produktem, a jeśli nie zostały dostarczone, należy zakupić śruby właściwego typu.
- Użyj odpowiedniej długości śrub określonych w Instrukcji instalacji.
- W razie wątpliwości skonsultuj się z autoryzowanym serwisem lub osobą o porównywalnych kwalifikacjach.

▲ OSTRZEŻENIE! Nie należy korzystać z okapu z programatorem, timerem, oddzielnym systemem zdalnego sterowania ani żadnym innym urządzeniem, które włącza się automatycznie.

! Podłączenie do prądu

Zasilanie sieciowe musi odpowiadać wartościom podanym na tabliczce umieszczonej wewnątrz okapu. Jeśli okap jest wyposażony w wtyczkę, po instalacji należy podłączyć okap do gniazdka zgodnie z obowiązującymi przepisami i zadbać, aby wtyczka była łatwo dostępna. Jeśli okap nie jest wyposażony we wtyczkę (bezpośrednie podłączenie do sieci) lub jeśli wtyczka nie znajduje się w dostępnym miejscu, po instalacji należy zastosować przełącznik dwubiegunowy (zgodny z normami), który umożliwia całkowite

odłączenie sieci w przypadku przetężenia (kategoria III), zgodnie z instrukcją montażu.

▲ OSTRZEŻENIE! Przed ponownym podłączeniem obwodu okapu do sieci i sprawdzeniem prawidłowego działania zawsze należy sprawdzić, czy kabel sieciowy jest prawidłowo podłączony.

Instalacja

- Odległość między kuchenką a najniższą położoną częścią okapu kuchennego nie może być mniejsza niż 70 cm (w przypadku kuchenek elektrycznych) i 100 cm (w przypadku kuchenek gazowych lub mieszanych).
- Jeśli w instrukcjach dotyczących instalacji płyty gazowej wskazano większą odległość, należy zastosować się do tych zaleceń.

Sprawdzenie sufitu

Sufit musi być płaski, poziomy, wystarczająco wytrzymały i odporny

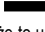
Ostrzeżenia

Okap jest przeznaczony do montażu w suficie podwieszanym. Sufit podwieszany musi być solidny i mieć nośność odpowiednią dla produktu o maks. wadze 26 kg.

Nie montuj okapu bezpośrednio w panelach sufitu podwieszanego, ale użyj odpowiedniej ramy lub wspornika.

- Urządzenie ma oznaczenie zgodne z europejską dyrektywą 2012/19/WE (UK SI 2013 nr 3113) dotyczącą zużytego sprzętu elektrycznego i elektronicznego (ZSEE).
- Zapewniając prawidłową utylizację urządzenia, pomagasz zapobiegać ewentualnym negatywnym konsekwencjom dla środowiska i zdrowia ludzkiego, które mogą wystąpić na skutek nieprawidłowego przetwarzania odpadów z niniejszego urządzenia.



- Symbol  na produkcie lub na dołączonych do niego dokumentach wskazuje, że to urządzenie nie może być traktowane jak odpady gospodarstwa domowego. Należy go dostarczyć do odpowiedniego punktu zbiórki w celu poddania recyklingowi sprzętu elektrycznego i elektronicznego. Utylizację należy przeprowadzać zgodnie z lokalnymi przepisami dotyczącymi ochrony środowiska w zakresie usuwania odpadów.
- W celu uzyskania dalszych szczegółowych informacji dotyczących procesu, zbiórki i recyklingu tego produktu należy skontaktować się z odpowiednim wydziałem władz lokalnych lub lokalnym wydziałem ds. odpadów domowych lub sklepem, w którym zakupiono ten produkt.

Urządzenie zaprojektowano, przetestowano i wyprodukowano zgodnie z następującymi normami:

- Bezpieczeństwo: EN/IEC 60335-1; EN/IEC 60335-2-31, EN/IEC 62233.
- Wydajność: EN/IEC 61591; ISO 5167-1; ISO 5167-3; ISO 5168; EN/IEC 60704-1; EN/IEC 60704-2-13; EN/IEC 60704-3; ISO 3741; EN 50564; IEC 62301.
- EMC: EN 55014-1; CISPR 14-1; EN 55014-2; CISPR 14-2; EN/IEC 61000-3-2; EN/IEC 61000-3-3. Sugestie dotyczące prawidłowego użytkowania umożliwiającego ograniczenie wpływu na środowisko: Na początku gotowania włącz okap z ustawioną minimalną prędkością i pozostaw włączony przez kilka minut po zakończeniu gotowania. Zwiększaj prędkość tylko w przypadku dużej ilości dymu i oparów, a funkcji booster używaj tylko w ekstremalnych sytuacjach. W razie potrzeby wymień filtr(y) z węglem drzewnym, aby utrzymać odpowiednią skuteczność eliminowania zapachów. W razie potrzeby wyczyść filtr(y) tłuszczu, aby utrzymać odpowiednią wydajność filtrowania. Użyj maksymalnej średnicy systemu kanałów wskazanej w tej instrukcji, aby zoptymalizować wydajność i zminimalizować hałas.

Użytkowanie

Okap jest przeznaczony do użytku w wersji wyciągowej.

Ważne

Istnieje możliwość zakupu zestawu do funkcji filtrującej (zob. następny paragraf „**Wersja filtrująca**”).



Wersja ekstrakcyjna

W tym przypadku spaliny wyprowadzane są na zewnątrz budynku specjalną rurą połączoną z pierścieniem łączącym znajdującym się w górnej części okapu.



OSTROŻNIE!

Rura odprowadzająca nie jest dołączona do okapu i należy ją zakupić osobno. Średnica rury odprowadzającej musi być równa średnicy pierścienia łączącego.



OSTROŻNIE!

Jeśli okap jest wyposażony w filtr z węglem aktywnym, należy go usunąć. Podłączyć okap i otwory wylotowe na ścianach o średnicy odpowiadającej wylotowi powietrza (kolierz przyłączeniowy).

Stosowanie przewodów i otworów wylotowych na ścianach o mniejszych wymiarach spowoduje zmniejszenie wydajności ssania i znaczny wzrost poziomu hałasu.

W takim wypadku producent zrzeka się wszelkiej odpowiedzialności.

! Użyj przewodu o minimalnej niezbędnej długości.

! Użyj przewodu z jak najmniejszą liczbą kolanków (maksymalny kątek kolanka: 90°).

! Unikaj zbyt dużych zmian w przekroju kanału.



Wersja filtrująca

Zassane powietrze zostanie odfiltrowane i pozbawione zapachów przed ponownym wprowadzeniem do pomieszczenia.

Aby korzystać z okapu w tej wersji, należy zainstalować system dodatkowego filtrowania wykorzystującego węgiel aktywny.

Obsługa



Ten produkt jest przeznaczony do współpracy z pilotem Elica, dostarczonym z produktem lub zakupionym osobno jako opcja.

Aby sterować okapem za pomocą pilota, należy przeprowadzić procedurę parowania.

OSTROŻNIE!

Aby rozpocząć, należy odłączyć okap od zasilania, a następnie podłączyć go ponownie, a procedura parowania musi zostać przeprowadzona w ciągu pierwszej minuty od podłączenia do zasilania.

Przeczytaj instrukcje dostarczone z pilotem, które zawierają szczegółowe instrukcje dotyczące parowania i prawidłowego użytkowania.

Uwaga: prędkość 4 (i prędkość 5 w odpowiednich przypadkach), zostanie aktywowana na ograniczony czas, po którym automatycznie włączy się **prędkość 2**.

Podłączenie pilota (w odpowiednich przypadkach)

Po podłączeniu pilota obie diody na okapie będą migać.

Uwaga: Za pomocą pilota można zaprogramować opóźnione wyłączenie w zależności od włączonej w danej chwili prędkości (mocy):

Prędkość 1 (mała siła wyciągu): 20 minut

Prędkość 2 (średnia siła wyciągu): 15 minut

Prędkość 3 (duża siła wyciągu): 10 minut

Kontrolki stanu filtra

W regularnych odstępach czasu diody LED na okapie sygnalizują konieczność oczyszczenia filtra.

Uwaga: Sygnał zapalenia filtra widoczny jest przez kilka sekund po włączeniu filtra; w tym czasie kontrolki zapalenia filtra muszą zostać zresetowane.

Migająca zielona dioda: należy oczyścić filtr przeciwłuszczowy.

Migająca czerwona dioda: należy oczyścić filtr węglowy (dotyczy to tylko okapów pracujących w wersji filtrującej).

Uwaga: Uruchom polecenie „**RESETUJ FILTRY**” za pomocą pilota.

Aktywacja/dezaktywacja wskaźnika zapalenia filtra

Uwaga: Uruchom procedurę przy wyłączonym okapie. Lampka kontrolna zapalenia filtra węglowego jest zwykle wyłączona.

Jeśli w ciągu 10 sekund nie naciśnięty zostanie żaden przycisk, okap automatycznie wyłączy tę funkcję i powróci do poprzedniego stanu.

Naciśnij i przytrzymaj klawisze **B+C** (jednocześnie), aby otworzyć menu ustawień:

Krótko naciśnij przycisk **C**, aby wybrać filtr do ustawienia:

Filtr przeciwłuszczowy: zielony

Filtr węglowy: czerwony

Krótko naciśnij przycisk **B**, aby aktywować (druga dioda LED miga) lub dezaktywować (druga dioda LED zgaszona).

Uwaga: diody LED świecą się przez kilka sekund, po czym gasną, wskazując, że lampka sygnalizacyjna została aktywowana (lub wyłączona).

Urządzenie może być również używane w połączeniu z Window sensor KIT (nie dostarczany przez producenta).

Jeżeli zamontowano zestaw czujników okiennych (tylko w przypadku pracy w trybie WYCIĄGU), wyciąg zatrzyma się za każdym razem, gdy okno w pomieszczeniu, w którym zamontowano zestaw, zostanie zamknięte.

• **ZESTAW musi być podłączony elektrycznie do urządzenia przez wykwalifikowany i wyspecjalizowany personel techniczny.**

• **ZESTAW musi być certyfikowany oddzielnie zgodnie z normami bezpieczeństwa dla komponentu i jego użytkowania z urządzeniem. Montaż należy przeprowadzić zgodnie z obowiązującymi przepisami dotyczącymi instalacji domowych.**

UWAGA:

- **okablowanie ZESTAWU, który ma być podłączony do urządzenia, musi być częścią certyfikowanego obwodu SELV.**
- **producent tego urządzenia nie ponosi żadnej odpowiedzialności za wszelkie niedogodności, uszkodzenia lub pożary spowodowane wadami i/lub problemami związanymi z nieprawidłowym działaniem i/lub nieprawidłowym montażem ZESTAWU.**

Konserwacja

Czyszczenie

Okap należy czyścić **WYŁĄCZNIE** szmatką zwilżoną neutralnym płynnym detergentem. **DO CZYSZCZENIA NIE WOLNO UŻYWAĆ NARZĘDZI ANI PRZYRZĄDÓW.** Nie używaj produktów ściernych. **NIE UŻYWAJ ALKOHOLU!**

Panel

Rys. 9

Panel odsysania obwodowego powinien być zawsze zamknięty i powinien być otwierany tylko w przypadku prac konserwacyjnych (np. czyszczenie lub wymiana filtrów).

Filtr przeciwłuszczowy

Rys. 9

Zatrzymuje cząsteczki tłuszczu podczas gotowania.

Należy go czyścić raz w miesiącu (lub gdy system sygnalizacji zapalenia filtra - jeśli jest to przewidziane w posiadanym modelu - wskazuje taką konieczność) za pomocą nieagresywnych detergentów, ręcznie lub w zmywarce ustawionej na niską temperaturę i krótki cykl.

Po umyciu w zmywarce filtr przeciwłuszczowy może się lekko odbarwić, ale nie wpływa to na jego zdolność filtrowania.

Aby wyjąć filtr przeciwłuszczowy, pociągnij za uchwyt zwalniający sprężynę.

Filtr węglowy (tylko w przypadku wersji filtrującej)

Rys. 10

Pochłania nieprzyjemne zapachy podczas gotowania.

Filtr węglowy można myć raz na dwa miesiące (lub gdy system sygnalizacji nasycenia filtra - jeśli dany model jest w niego wyposażony - wskazuje taką konieczność) gorącą wodą z odpowiednim detergentem lub w zmywarce w temperaturze 65°C (jeśli jest używana zmywarka, wybierz funkcję pełnego cyklu i nie zmywaj w tym czasie innych naczyń).

Usuń nadmiar wody, nie uszkadzając filtra, a następnie włóż go na 10 minut do piekarnika rozgrzanego do temperatury 100°C do całkowitego wyschnięcia. Wkład należy wymieniać co 3 lata oraz gdy dojdzie do uszkodzenia jego materiału.

Wymiana lamp

Okap wyposażony jest w system oświetlenia w technologii LED.

Diody LED gwarantują optymalne oświetlenie, działają nawet 10 razy dłużej niż tradycyjne lampy i zużywają o 90% mniej energii elektrycznej.

System oświetlenia nie może być wymieniany przez użytkownika; w przypadku awarii skontaktuj się z Obsługą Klienta.

