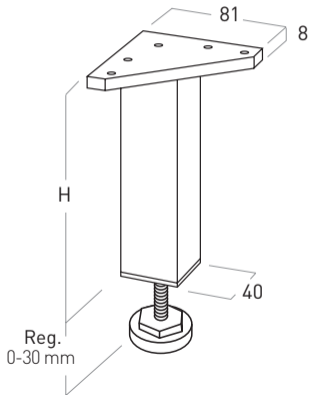


5002

Aluminium



H

150