

EN

ES

PT

FR

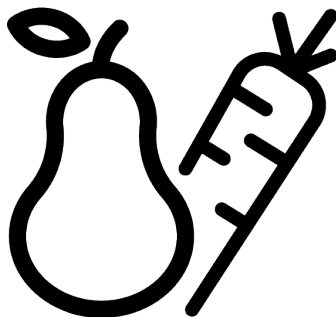
beko

Refrigerator / User Manual

Frigorífico / Manual del usuario

Frigorífico / Manual do utilizador

Réfrigérateur / Manuel d'utilisation



B3RMLNE444HW - B3RMLNE444HXB

58 7477 0000/ EN/ ES/ PT/ FR/ AB/ 22/04/2022 23:05
7284643710_7284643790



Please read this manual first!

Dear Customer

Please read this manual before using the product.

Thank you for choosing this Beko product. We would like you to achieve the optimal efficiency from this high quality product which has been manufactured with state of the art technology. To do this, carefully read this manual and any other documentation provided before using the product and keep it as a reference.

Heed all information and warnings in the user manual. This way, you will protect yourself and your product against the dangers that may occur.

Keep the user manual. Include this manual with the unit if you hand it over to someone else.

The following symbols are used in the user manual:



Hazard that may result in death or injury.



Important information or useful tips on operation.








Read the user manual.



Combustible material, warning against fire hazard.

NOTICE A hazard that may cause material damage to the product or its surroundings

	ENERG 	
SUPPLIER'S NAME	MODEL IDENTIFIER → (*)	
		

The model information as stored in the product data base can be reached by entering following website and searching for your model identifier (*) found on energy label.

<https://eprel.ec.europa.eu/>

1	Safety Instructions	4
1.1	Intention of Use	4
1.2	Safety of Children, Vulnerable Persons and Pets	4
1.3	Electrical Safety	5
1.4	Handling Safety	6
1.5	Installation Safety.....	6
1.6	Operational Safety	8
1.7	Food Storage Safety.....	10
1.8	Maintenance and Cleaning Safety.	10
2	Environmental Instructions	11
2.1	Compliance with the WEEE Directive and Disposing of the Waste Product	11
3	Your Refrigerator	12
4	Installation	13
4.1	Right Place For Installation.....	13
4.2	Electrical Connection	13
4.3	Attaching the Plastic Wedges	13
4.4	Adjusting the Legs.....	14
4.5	Reversing the Door Opening Side.	14
4.6	Hot Surface Warning	14
5	Preparation	14
5.1	What to Do for Energy Saving.....	14
5.2	First Use	15
5.3	Climate Class and Definitions.....	15
6	Operating the Product	15
7	Use of Your Appliance	16
7.1	Control Panel of the Product.....	16
7.2	Crisper Technologies	17
7.3	Dairy Products Cold Storage Area	17
7.4	Reversing the Door Opening Side.	17
7.5	Door Open Alert	17
7.6	Foldable Wine Rack.....	17
7.7	Replacing the Illumination Lamp ...	18
7.8	AeroFlow	18
8	Maintenance and Cleaning	18
9	Troubleshooting	19



1 Safety Instructions

This section includes the safety instructions necessary to prevent the risk of personal injury or material damage.

Our company shall not be held responsible for damages that may occur if these instructions are not observed.

Installation and repair operations shall always be performed by authorized service.

Use original spare parts and accessories only.

Original spare parts will be provided for 10 years, following the product purchasing date.

Do not repair or replace any component of the product unless it is clearly specified in the user manual.

Do not perform any modifications on the product.



1.1 Intention of Use

This product is not suitable for commercial use and should not be used other than for its intended use. This product is designed to be used indoors, at home and similar places.

For example;

- In the staff kitchens of the stores, offices and other working environments,
- In farm houses,
- In the units of hotels, motels or other resting facilities that are used by the customers,
- In hostels, or similar environments,
- In catering services and similar non-retail applications.

This product shall not be used in open or enclosed external environments such as vessels, balconies or terraces. Exposing the product to rain, snow, sunlight and wind may cause risk of fire.



1.2 Safety of Children, Vulnerable Persons and Pets

- This product may be used by children aged 8 years and older and persons with underdeveloped physical, sensory or mental capabilities or lack of experience and knowledge if they are being given supervision or have been given in-

struction concerning use of the appliance in a safe way and the hazards involved.

- Children between 3 and 8 years are allowed to put and take out food to/from the cooler product.
- Electrical products are dangerous for children and pets. Children and pets must not play with, climb on, or enter the product.
- Cleaning and user maintenance should not be performed by children unless there is someone overseeing them.
- Keep the packaging materials away from children. Risk of injury and suffocation.

Before disposing of old products that shall not be used any more:

1. Unplug the power cord from the mains socket.
2. Cut the power cable and remove it from the appliance together with the plug.
3. Do not remove the racks and drawers from the product to prevent children from getting inside the appliance.
4. Remove the doors.

5. Store the product so that it shall not be tipped over.
 6. Do not allow children to play with the scrapped product.
- Do not dispose of the product by throwing it into fire. Risk of explosion.
 - If there is a lock available in the product's door, keep the key out of children's reach.



1.3 Electrical Safety

- The product shall not be plugged into the outlet during installation, maintenance, cleaning, repair, and transportation operations.
- If the power cable is damaged, it shall be replaced by authorized service only to avoid any risks that may occur.
- Do not tuck the power cable under the product or to the rear of the product. Do not put heavy items on the power cable. The power cable should not be bent, crushed, and come into contact with any heat source.
- Do not use an extension cord, multi-plug or adaptor to operate your product.

- Portable multi sockets or portable power supplies may over-heat and cause fire. Thus, do not have a multi-plug behind or in the vicinity of the product.
- The plug shall be easily accessible. If this is not possible, a mechanism that meets the electrical legislation and that disconnects all terminals from the mains (fuse, switch, main switch, etc.) shall be available on the electrical installation.
- Do not touch the plug with wet hands.
- When unplugging the appliance, don't hold the power cord, but the plug.

1.4 Handling Safety

- This product is heavy, do not handle it by yourself.
- Do not hold the product from its door while handling the product.
- Be careful not to damage the cooling system and the pipes while handling the product. Do not operate the product if the pipes are damaged, and contact an authorized service.

1.5 Installation Safety

- Contact the Authorized Service for the product's installation. To prepare the product for installation, see the information in the user manual and make sure the electric and water utilities are as required. If not, call an electrician and plumber to arrange the utilities as necessary. Failure to do so may result in electric shock, fire, problems with the product, or injury.
- Check for any damage on the product before installing it. Do not have the product installed if it is damaged.
- Place the product on a level and hard surface and balance with the adjustable legs. Otherwise, the refrigerator may tip over and cause injuries.
- The product shall be installed in a dry and ventilated environment. Do not keep carpets, rugs or similar floor covers under the product. This may cause risk of fire as a result of inadequate ventilation!

- Do not block or cover ventilation holes. Otherwise, power consumption may be increased and damage to your product may occur.
- The product must not be connected to supply systems such as solar power supply. Otherwise, your product may be damaged due to sudden voltage changes!
- The more refrigerant a refrigerator contains, the bigger its installation room should be. In very small rooms, a flammable gas-air mixture may occur in case of a gas leak in the cooling system. At least 1 m³ of volume is required for each 8 grams of refrigerant. The amount of the refrigerant available in your product is specified in the Type Label.
- The installation place of the product shall not be exposed to direct sunlight and it shall not be in the vicinity of a heat source such as stoves, radiators, etc. If you cannot prevent installation of the product in the vicinity of a heat source, you shall use a suitable insulation plate and the minimum distance to the heat source shall be as specified below.
 - At least 30 cm away from heat sources such as stoves, heating units and heaters, etc.,
 - And at least 5 cm away from electric ovens.
- Your product has the protection class of I.
- Plug the product in a grounded socket that conforms with the Voltage, Current and Frequency values specified in the type label. The socket must have a 10A – 16A fuse. Our firm will not assume responsibility for any damages due to usage without earthing and power connection in compliance with local and national regulations.
- The product's power cable must be unplugged during installation. Otherwise, risk of electric shock and injury may occur!
- Do not plug the product to loose, broken, dirty, greasy sockets or sockets that have come out of their seats or sockets with a risk of water contact.
- Place the power cable and hoses (if available) of the product so that they shall not cause a risk of tripping over.

- Penetration of humidity to live parts or to the power cord may cause short circuit. Thus, do not use the product in humid environments or in areas where water may splash (e.g. garage, laundry room, etc.) If the refrigerator is wet by water, unplug it and contact an authorized service.
- Do not ever connect your refrigerator to power saving devices. These systems are harmful for the product

1.6 Operational Safety

- Do not ever use chemical solvents on the product. These materials contain an explosion risk.
- In case of a failure of the product, unplug it and do not operate until it is repaired by the authorized service. There is a risk of electric shock!
- Do not place a source of flame (e.g. candles, cigarettes, etc.) on the product or in the vicinity of it.
- Do not get on the product. Risk of falling and injury!
- Do not cause damage to the pipes of the cooling system using sharp and piercing tools.

The refrigerant that sprays out in case of puncturing the gas pipes, pipe extensions or upper surface coatings may cause irritation of skin and injuries of the eyes.

- Do not place and operate electric appliances inside the refrigerator/freezer unless it is advised by the manufacturer.
- Do not jam any parts of your hands or your body to the moving parts inside the product. Be careful to prevent jamming of your fingers between the refrigerator and its door. Be careful while opening or closing the door if there are children around.
- Do not put ice cream, ice cubes or frozen food to your mouth as soon as you take them out of the freezer. Risk of frostbite!
- Do not touch the inner walls, metal parts of the freezer or food kept inside the freezer with wet hands. Risk of frostbite!
- Do not place soda cans or cans and bottles that contain fluids that may be frozen to the freezer compartment.

Cans or bottles may explode. Risk of injury and material damage!

- Do not use or place materials sensitive against temperature such as flammable sprays, flammable objects, dry ice or other chemical agents in the vicinity of the refrigerator. Risk of fire and explosion!
- Do not store explosive materials such as aerosol cans with flammable materials inside the product.
- Do not place cans containing fluids over the product. Splashing of water on an electrical part may cause the risk of an electric shock or a fire.
- This product is not intended for storage and cooling of medicines, blood plasma, laboratory preparations or similar materials and products that are subject to the Medical Products Directive.
- If the product is used against its intended purpose, it may cause damage to or deterioration of the products kept inside.
- If your refrigerator is equipped with blue light, do not look at this light with optical devices. Do not stare directly at UV LED light for a long time. Ultra-violet rays may cause eye strain.
- Do not fill the product with more food than its capacity. Injuries or damages may occur if the contents of the refrigerator fall when the door is opened. Similar problems may also occur when an object is placed over the product.
- Ensure that you have removed any ice or water that may have fallen to the floor to prevent injuries.
- Change the locations of the racks/bottle racks on the door of your refrigerator while the racks are empty only. Danger of injury!
- Do not place objects that may fall/tip over on the product. These objects may fall while opening or closing the door and cause injuries and/or material damages.
- Do not hit or exert excessive pressure on glass surfaces. Broken glass may cause injuries and/or material damages.
- The cooling system in your product contains R600a refrigerant. The refrigerant type used in the product is specified in the type label. This

gas is flammable. Therefore, be careful not to damage the cooling system and the pipes while operating the product. In case of damage to the pipes;

1. Do not touch the product or the power cable.
2. Keep the product away from potential sources of fire that may cause the product to catch fire.
3. Ventilate the area where the product is placed. Do not use a fan.
4. Contact authorized service.
5. If the product is damaged and you observe gas leak, please stay away from the gas. Gas may cause frostbite if it contacts your skin.



1.7 Food Storage Safety

Please pay attention to the following warnings to avoid food spoilage:

- Leaving the doors open for a long time may cause the temperature inside the product to rise.
- Regularly clean the accessible drainage systems in contact with food.

- Clean the water tanks that have not been used for 48 hours and mains-fed water systems that have not been used for more than 5 days.
- Store raw meat and fish products in appropriate compartments within the product. Thus, it does not drip on or come into contact with other foods.
- Two-star freezer compartments are used for storing pre-filled foods, making and storing ice and ice cream.
- One, two and three-star compartments are not appropriate for freezing fresh food.
- If the cooling product has been left empty for a long time, turn off the product, defrost, clean, and dry the product in order to protect the housing of the product.



1.8 Maintenance and Cleaning Safety

- Do not pull by the door handle if you shall move the product for cleaning purposes. Handle may cause injuries if it is pulled too hard.

- Do not clean the product by spraying or pouring water on the product and inside the product. Risk of electric shock and fire.
- When cleaning the product, do not use sharp and abrasive tools or household cleaning agents, detergent, gas, gasoline, thinner, alcohol, varnish, and similar substances. Use only cleaning and maintenance agents that are not harmful for food inside the product.
- Do not ever use steam or steamed cleaning materials for cleaning the product and thawing the ice inside it. Steam contacts the live areas in your refrigerator and causes short circuit or electric shock.
- Take care to keep water away from the electronic circuits or lighting of the product.
- Use a clean, dry cloth to wipe the dust or foreign material on the tips of the plugs. Do not use a wet or damp piece of cloth to clean the plug. Otherwise, risk of fire or electric shock may occur.

2 Environmental Instructions

2.1 Compliance with the WEEE Directive and Disposing of the Waste Product



This product complies with EU WEEE Directive (2012/19/EU). This product bears a classification symbol for waste electrical and electronic equipment (WEEE).

This symbol indicates that this product shall not be disposed with other household wastes at the end of its service life. Used device must be returned to official collection point for recycling of electrical and electronic devices. To find these collection systems please contact to your local authorities or retailer where the product was purchased. Each household performs important role in recovering and recycling of old

appliance. Appropriate disposal of used appliance helps prevent potential negative consequences for the environment and human health.

Compliance with RoHS Directive

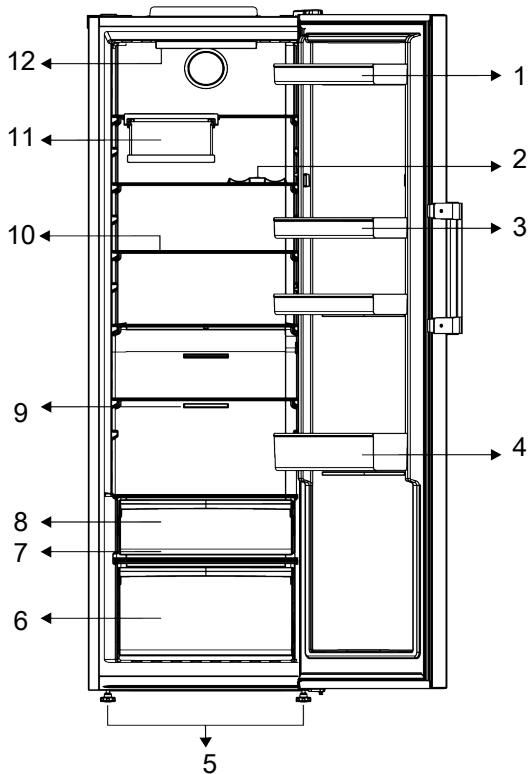
The product you have purchased complies with EU RoHS Directive (2011/65/EU). It does not contain harmful and prohibited materials specified in the Directive.



Package information

Packaging materials of the product are manufactured from recyclable materials in accordance with our National Environment Regulations. Do not dispose of the packaging materials together with the domestic or other wastes. Take them to the packaging material collection points designated by the local authorities.

3 Your Refrigerator



- | | |
|-------------------------|------------------------------|
| 1 Egg holder | 2 * Bottle Shelf |
| 3 Adjustable Shelves | 4 Adjustable Door Shelf |
| 5 Adjustable Front Legs | 6 Crisper |
| 7 * Everfresh | 8 * Cold Storage Compartment |
| 9 Fan | 10 Adjustable Shelves |
| 11 * Foldable Wine Rack | 12 * Illumination Lamp |

***Optional:** Figures in this user manual are schematic and may not exactly match your product. If your product does not comprise the relevant parts, the information pertains to other models.



Read the "Safety Instructions" section first!

4.1 Right Place For Installation

Contact the Authorized Service for the product's installation. To prepare the product for installation, see the information in the user manual and make sure the electric and water utilities are as required. If not, call an electrician and plumber to arrange the utilities as necessary.



WARNING:

The manufacturer assumes no responsibility for any damages caused by the work carried out by unauthorized persons.



WARNING:

The product's power cable must be unplugged during installation. Failure to do so may result in death or serious injuries!



WARNING:

If the door span is too narrow for the product to pass, remove the door and turn the product sideways; if this does not work, contact the authorized service.

- Place the product on a flat surface to avoid vibration.
- Place the product at least 30 cm away from the heater, stove and similar sources of heat and at least 5 cm away from electric ovens.
- Do not expose the product to direct sunlight or keep it in damp environments.
- Your product requires adequate air circulation to function efficiently. If the product will be placed in an alcove, remember to leave at least 5 cm clearance between the product and the ceiling, rear wall and the side walls.

- Check if the rear wall clearance protection component is present at its location (if provided with the product).
- If the component is not available, or if it is lost or fallen, position the product so that at least 5 cm clearance shall be left between the rear surface of the product and the wall of the room. The clearance at the rear is important for efficient operation of the product.

4.2 Electrical Connection



Do not use extension or multi sockets in power connection.



Damaged power cable must be replaced by Authorized Service.



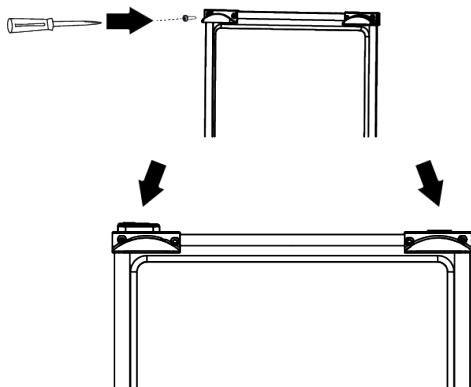
When placing two coolers in adjacent position, leave at least 4 cm distance between the two units.

- Our firm will not assume responsibility for any damages due to usage without earthing and power connection in compliance with national regulations.
- The power cable plug must be easily accessible after installation.
- Do not use multi-group plug with or without extension cable between the wall socket and the refrigerator.

4.3 Attaching the Plastic Wedges

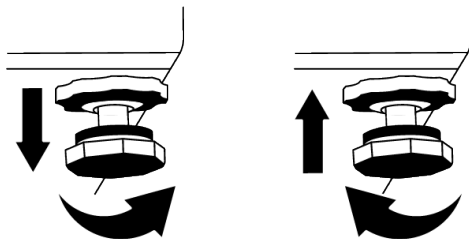
Use the plastic wedges provided with the product to maintain sufficient space for air circulation between the product and the wall.

1. To attach the wedges, remove the screws on the product and use the screws provided with the wedges.
2. Attach 2 plastic wedges on the ventilation cover as shown in the figure.



4.4 Adjusting the Legs

If the product is not in balanced position, adjust the front adjustable legs by rotating them to right or left.



4.5 Reversing the Door Opening Side

The door opening side of your refrigerator can be reversed according to the place you put it. When you need this, you should definitely call the nearest Authorized Service.

4.6 Hot Surface Warning


The side walls of your product are equipped with cooler pipes to enhance the cooling system. High pressure fluid may flow through these surfaces, and cause hot surfaces on the side walls. This is normal and it does not require servicing. Be careful when you contact these areas.

5 Preparation



Read the "Safety Instructions" section first!

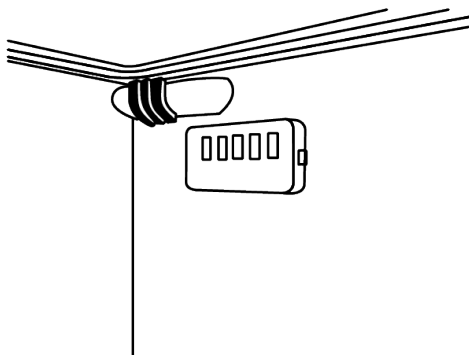
5.1 What to Do for Energy Saving



Connecting the product to electronic energy-saving systems is harmful, as it may damage the product.

- This refrigerating appliance is not intended to be used as a built in appliance.
- Do not keep the refrigerator doors open for long periods.
- Do not place hot food or beverages into the refrigerator.
- Do not overfill the refrigerator; blocking the internal air flow will reduce cooling capacity.

- Using the below drawer when storing is strongly recommended.
- Make sure the foods are not in contact with the cooler compartment temperature sensor described below.



- If they are in contact with the sensor, energy consumption of the appliance might increase
- Food shall be stored using the drawers in the cooler compartment in order to ensure energy saving and protect food in better conditions.

5.2 First Use

Before using your refrigerator, make sure the necessary preparations are made in line with the instructions in "Safety and Environmental Instructions" and "Installation" sections.

- Keep the product running without placing any food inside for 6 hours and do not open the door, unless absolutely necessary.
- The temperature change caused by opening and closing of the door while using the product may normally lead to condensation on door/body shelves and glassware placed in the product.



A sound will be heard when the compressor is engaged. It is normal for the product to make noise even if the compressor is not running, as fluid and gas may be compressed in the cooling system.



It is normal for the front edges of the refrigerator to be warm. These areas are designed to warm up in order to prevent condensation.



For some models, indicator panel turns off automatically 1 minute after the door closes. It will be reactivated when the door is opened or any button is pressed.

5.3 Climate Class and Definitions

Please refer to the Climate Class on the rating plate of your device. One of the following information is applicable to your device according to the Climate Class.

- **SN:** Long Term Temperate Climate: This cooling device is designed for use at ambient temperatures between 10 °C and 32 °C.
- **N:** Temperate Climate: This cooling device is designed for use at ambient temperatures between 16°C and 32 °C.
- **ST:** Subtropical Climate: This cooling device is designed for use at ambient temperatures between 16°C and 38°C.
- **T:** Tropical Climate: This cooling device is designed for use at ambient temperatures between 16°C and 43°C.

6 Operating the Product



Read the "Safety Instructions" section first!

- This product is not appropriate for freezing food.
- Do not use any mechanical tools or any other tools than the recommendations of the manufacturer to speed up the thawing operation.
- Do not use parts of your refrigerator such as the door or drawers as a support or a step. This may cause the product to tip over or its components to be damaged.
- The product shall be used for storing food only.

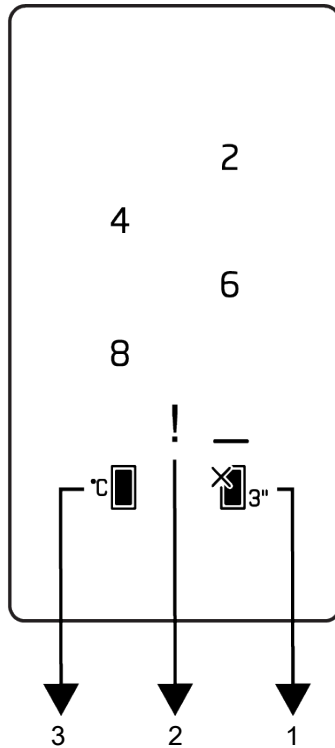
- Turn off the water valve if you will be away from home (e.g. at vacation) and you will not be using the Icematic or the water dispenser for a long period of time. Otherwise, water leaks may occur.

Pausing the program

- If you are not going to use the product for a long time, unplug the product from the socket.
- Remove the food to prevent odours.
- Wait for the ice to melt, clean the interior and let it dry, leave the doors open to avoid damaging the inner body plastics.

7 Use of Your Appliance

7.1 Control Panel of the Product



- 1 Cooler Compartment OFF (Vacation) Function
- 3 Cooler Compartment Temperature Setting Key

- 2 Fault Condition Indicator



Read the "Safety Instructions" section first.

Auditory and visual functions of the indicator panel will assist in using the refrigerator.

***Optional:** Shown functions are optional, there may be differences of shape and location in functions found on your appliance's display panel.

1. Cooler Compartment Off (Vacation)

Function Key

Press the key for 3 seconds to activate the vacation function. Vacation mode is activated and the LED on the key is illuminated. The cooler compartment does not perform active cooling function. You should not keep your food in the cooler compartment if you activate this function. Press and hold the key for 3 seconds again to cancel this function.

2. Fault Condition Indicator!

This indicator shall be active when your refrigerator cannot perform adequate cooling or in case of any sensor error. Exclamation mark may be displayed when you load warm food to the freezer compartment or keep the door open for a long period of time. This is not a fault, this warning shall be removed when the food is cooled down or when any key is pressed.

3. Cooler Compartment Temperature

Setting Key

Allows setting of temperature for cooler compartment. Pressing the key will enable the cooling compartment temperature to be set at 8, 6, 4, 2 °C.

7.2 Crisper Technologies

Blue Light

Fruits and vegetables stored in the crispers that are illuminated with a blue light continue their photosynthesis by means of the wavelength effect of blue light and thus preserve their vitamin content.

HarvestFresh

Fruits and vegetables stored in crispers illuminated with the HarvestFresh technology preserve their vitamins for a longer time thanks to the blue, green, red lights and dark cycles, which simulate a day cycle.

When the door of your refrigerator is opened during the dark period of the HarvestFresh technology, your refrigerator shall sense this automatically and illuminate the crisper with one of the blue, green or red lights respectively for your convenience. After you have closed the door of the refrigerator, the dark period will continue, representing the night time in a day cycle.

7.3 Dairy Products Cold Storage Area

Cold Storage Drawer

The Cold Storage Drawer can reach lower temperatures in the cooler compartment. Use this drawer for delicatessen products

(salami, sausage, etc.) and dairy products that require colder storage conditions, or for meat, chicken or fish to be consumed quickly. It is not suitable to store fruits and vegetables in this drawer.

7.4 Reversing the Door Opening Side

The door opening side of your refrigerator can be reversed according to the place you put it. When you need this, you should definitely call the nearest Authorized Service.

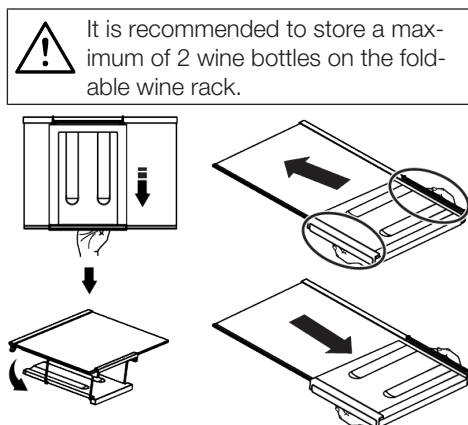
7.5 Door Open Alert

Door Open Alert

An audible alert will be heard if the product's door remains open for 1 minute. The audible alert will stop when you close the cabinet door or press any button on the display (if available).

7.6 Foldable Wine Rack

It allows the user to store wine bottles if necessary. To use the rack section, grasp the plastic part and gently pull it down. You can now use the foldable wine rack.



To group the wine rack, first remove the glass shelf from the refrigerator. Place it on the glass shelf by pushing the plastic part through the front and back grooves as shown in the picture. The product will be ready to use with the foldable wine rack.

To remove the foldable wine rack, first remove the glass shelf from the refrigerator. Then grab the plastic part and pull it in any direction. You can now use the product without a foldable wine rack when needed.

7.7 Replacing the Illumination Lamp

Call the Authorized Service when the Bulb/LED used for lighting in your refrigerator will be replaced.

Lamp(s) used in this appliance cannot be used for house lighting. Intended use of this lamp is to help the user place food into the refrigerator / freezer safely and comfortably.

7.8 AeroFlow

It is an air distribution system that provides homogeneous temperature distribution. With the air circulation, the homogeneous temperature distribution is ensured in the fresh food storage compartment, and the temperature fluctuations are kept at low levels. No direct air blowing over the food is realized and this helps to reduce moisture loss. It preserves the freshness of the food stored in the fresh food compartment of the refrigerator. In this way, your food is stored at more stable temperatures and the contact with air is reduced. The drying and shrinking of foods by losing moisture is prevented and freshness is provided for a longer time.

8 Maintenance and Cleaning



WARNING:

Read the "Safety Instructions" section first.



WARNING:

Unplug the refrigerator before cleaning it.

- Do not use sharp or abrasive tools to clean the product. Do not use materials such as household cleaning agents, soap, detergents, gas, gasoline, thinner, alcohol, wax, etc.
- The dust shall be removed from the ventilation grill on the rear of the product at least once a year (without opening the cover). Clean the product with a dry cloth.
- Take care to keep water away from the lamp's cover and other electrical parts.
- Clean the door with a damp cloth. Remove all contents to remove the door and body racks. Remove the door racks by lifting them upwards. Clean and dry the shelves, then attach back in place by sliding from above.
- Do not use chlorinated water or cleaning products on the exterior surface and chromecoated parts of the product. Chlorine will cause rust on such metallic surfaces.
- Do not use sharp and abrasive tools, soap, house cleaning materials, detergents, gas, gasoline, varnish and similar substances to prevent deformation of the plastic part and removal of prints on the part. Use warm water and a soft cloth for cleaning, and then dry it.
- On the products without a No-Frost feature, water droplets and icing up to a thickness of a finger may occur on the rear wall of the freezer compartment. Do not clean, and never apply oils or similar materials.
- Use a mildly dampened micro-fibre cloth to clean the external surface of the product. Sponges and other types of cleaning clothes may cause scratches.
- To clean all removable components during the cleaning of the interior surface of the product, wash these components with a mild solution consisting of soap, water and

carbonate. Wash and dry thoroughly. Prevent contact of water with illumination components and the control panel.



CAUTION:

Do not use vinegar, rubbing alcohol or other alcohol based cleaning agents on any interior surface.

Stainless Steel External Surfaces

Use a non-abrasive stainless steel cleaning agent and apply it with a soft lint-free cloth. To polish, gently wipe the surface with a micro-fibre cloth dampened with water and use dry polishing chamois. Always follow the veins of the stainless steel.

9 Troubleshooting

Check this list before contacting the service. Doing so will save you time and money. This list includes frequent complaints that are not related to faulty workmanship or materials. Certain features mentioned herein may not apply to your product.

The refrigerator is not working.

- The power plug is not fully settled. >>> Plug it in to settle completely into the socket.
- The fuse connected to the socket powering the product or the main fuse is blown. >>> Check the fuse.

Condensation on the side wall of the cooler compartment (MULTI ZONE, COOL CONTROL and FLEXI ZONE).

- The door is opened too frequently. >>> Take care not to open the product's door too frequently.
- The environment is too humid. >>> Do not install the product in humid environments.
- Foods containing liquids are kept in unsealed holders. >>> Keep the foods containing liquids in sealed holders.
- The product's door is left open. >>> Do not keep the product's door open for long periods.

Preventing Odours

The product is manufactured free of any odorous materials. However, keeping the food in inappropriate sections and improper cleaning of internal surfaces may lead to odours.

- To avoid this, clean the inside with carbonated water every 15 days.
- Keep the foods in sealed holders, as micro-organisms arising from foods kept in unsealed containers will cause bad odour.
- Do not keep expired and spoilt foods in the refrigerator.

Protecting Plastic Surfaces

Oil spilled on plastic surfaces may damage the surface and must be cleaned immediately with warm water.

- The thermostat is set to a very cool temperature. >>> Set the thermostat to an appropriate temperature.

Compressor is not working.

- In case of sudden power failure or pulling the power plug off and putting back on, the gas pressure in the product's cooling system is not balanced, which triggers the compressor thermic safeguard. The product will restart after approximately 6 minutes. If the product does not restart after this period, contact the service.
- Defrosting is active. >>> This is normal for a fully-automatic defrosting product. The defrosting is carried out periodically.
- The product is not plugged in. >>> Make sure the power cord is plugged in.
- The temperature setting is incorrect. >>> Select the appropriate temperature setting.
- The power is out. >>> The product will continue to operate normally once the power is restored.

The refrigerator's operating noise is increasing while in use.

- The product's operating performance may vary depending on the ambient temperature variations. This is normal and not a malfunction.

The refrigerator runs too often or for too long.

- The new product may be larger than the previous one. Larger products will run for longer periods.
- The room temperature may be high. >>> The product will normally run for long periods in higher room temperature.
- The product may have been recently plugged in or a new food item is placed inside. >>> The product will take longer to reach the set temperature when recently plugged in or a new food item is placed inside. This is normal.
- Large quantities of hot food may have been recently placed into the product. >>> Do not place hot food into the product.
- The doors were opened frequently or kept open for long periods. >>> The warm air moving inside will cause the product to run longer. Do not open the doors too frequently.
- The freezer or cooler door may be ajar. >>> Check that the doors are fully closed.
- The product may be set to a temperature that is too low. >>> Set the temperature to a higher degree and wait for the product to reach the adjusted temperature.
- The cooler or freezer door washer may be dirty, worn out, broken or not properly settled. >>> Clean or replace the gasket. Damaged / torn door washer will cause the product to run for longer periods to preserve the current temperature.

The freezer temperature is very low, but the cooler temperature is adequate.

- The freezer compartment temperature is set to a very low degree. >>> Set the freezer compartment temperature to a higher degree and check again.

The cooler temperature is very low, but the freezer temperature is adequate.

- The cooler compartment temperature is set to a very low degree. >>> Set the cooler compartment temperature to a higher degree and check again.

The food items kept in cooler compartment drawers are frozen.

- The cooler compartment temperature is set to a very low degree. >>> Set the cooler compartment temperature to a higher degree and check again.

The temperature in the cooler or the freezer is too high.

- The cooler compartment temperature is set to a very high degree. >>> Temperature setting of the cooler compartment has an effect on the temperature in the freezer compartment. Wait until the temperature of relevant parts reach the sufficient level by changing the temperature of cooler or freezer compartments.
- The doors were opened frequently or kept open for long periods. >>> Do not open the doors too frequently.
- The door may be ajar. >>> Fully close the door.
- The product may have been recently plugged in or a new food item is placed inside. >>> This is normal. The product will take longer to reach the set temperature when recently plugged in or a new food item is placed inside.
- Large quantities of hot food may have been recently placed into the product. >>> Do not place hot food into the product.

Shaking or noise.

- The surface is not flat or durable >>> If the product is shaking when moved slowly, adjust the stands to balance the product. Also make sure the ground is sufficiently durable to bear the product.
- Any items placed on the product may cause noise. >>> Remove any items placed on the product.
- The product is making noise of liquid flowing, spraying etc.
- The product's operating principles involve liquid and gas flows. >>> This is normal and not a malfunction.

There is sound of wind blowing coming from the product.

- The product uses a fan for the cooling process. This is normal and not a malfunction.

There is condensation on the product's internal walls.

- Hot or humid weather will increase icing and condensation. This is normal and not a malfunction.
- The doors were opened frequently or kept open for long periods. >>> Do not open the doors too frequently; if open, close the door.
- The door may be ajar. >>> Fully close the door.

There is condensation on the product's exterior or between the doors.

- The ambient weather may be humid, this is quite normal in humid weather. >>> The condensation will dissipate when the humidity is reduced.

The interior smells bad.

- The product is not cleaned regularly. >>> Clean the interior regularly using sponge, warm water and carbonated water.
- Certain holders and packaging materials may cause odour. >>> Use holders and packaging materials without free of odour.
- The foods were placed in unsealed holders. >>> Keep the foods in sealed holders. Microorganisms may spread out of unsealed food items and cause bad odour.

DISCLAIMER / WARNING

Some (simple) failures can be adequately handled by the end-user without any safety issue or unsafe use arising, provided that they are carried out within the limits and in accordance with the following instructions (see the "Self-Repair" section).

Therefore, unless otherwise authorized in the "Self-Repair" section below, repairs shall be addressed to registered professional repairers in order to avoid safety issues. A registered Professional repairer is a professional repairer that has been granted access to the instructions and spare parts list of this

- Remove any expired or spoilt foods from the product.

The door is not closing.

- Food packages may be blocking the door. >>> Relocate any items blocking the doors.
- The product is not standing in full upright position on the ground. >>> Adjust the stands to balance the product.
- The surface is not flat or durable >>> Make sure the surface is flat and sufficiently durable to bear the product.

The crisper is jammed.

- The food items may be in contact with the upper section of the drawer. >>> Reorganize the food items in the drawer.

Temperature on the product surface.

- High temperature may be observed between two doors, on the side panels and on the rear grill area while your product is operated. This is normal and it does not require servicing.

Fan continues to operate when the door is opened.

- Fan may continue to operate when the freezer door is open.



WARNING: If the problem persists after following the instructions in this section, contact your vendor or an Authorized Service. Do not try to repair the product. This is normal.

product by the manufacturer according to the methods described in legislative acts pursuant to Directive 2009/125/EC.

However, only the service agent (i.e. authorized professional repairers) that you can reach through the phone number given in the user manual/warranty card or through your authorized dealer may provide service under the guarantee terms. Therefore, please be advised that repairs by professional repairers (who are not authorized by) Beko shall void the guarantee.

Self-Repair

Self-repair can be done by the end-user with regard to the following spare parts: door handles, door hinges, trays, baskets and door gaskets (an updated list is also available support.beko.com as of 1st March 2021).

Moreover, to ensure product safety and to prevent risk of serious injury, the mentioned self-repair shall be done following the instructions in the user manual for self-repair or which are available in support.beko.com. For your safety, unplug the product before attempting any self-repair.

Repair and repair attempts by end-users for parts not included in such list and/or not following the instructions in the user manuals for self-repair or which are available in support.beko.com, might give rise to safety issues not attributable to Beko, and will void the warranty of the product.

Therefore, it is highly recommended that end-users refrain from the attempt to carry out repairs falling outside the mentioned list of spare parts, contacting in such cases authorized professional repairers or registered professional repairers. On the contrary, such attempts by end-users may cause safety issues and damage the product and subsequently cause fire, flood, electrocution and serious personal injury to occur.

By way of example, but not limited to, the following repairs must be addressed to authorized professional repairers or registered professional repairers: compressor, cooling circuit, main board, inverter board, display board, etc.

The manufacturer/seller cannot be held liable in any case where end-users do not comply with the above.

The spare part availability of the refrigerator that you purchased is 10 years. During this period, original spare parts will be available to operate the refrigerator properly.

The minimum duration of guarantee of the refrigerator that you purchased is 24 months.

This product is equipped with a lighting source of the "G" energy class.

The lighting source in this product shall only be replaced by Professional repairer

¡Lea primero este manual!

Estimado cliente,

Por favor, lea este manual antes de usar el aparato.

Gracias por elegir este aparato de Beko. Nos gustaría que usted alcanzara la eficiencia óptima de este aparato de alta calidad que fue fabricado utilizando la tecnología más avanzada. A tal fin, antes de utilizar el aparato, lea detenidamente este manual y cualquier otra documentación que se le facilite y consérvela como referencia.

Preste atención a toda la información así como a las advertencias contenidas en el manual de usuario. Esto le permitirá protegerse a sí mismo y a su aparato contra los peligros que puedan surgir.

Guarde el manual de usuario. Incluya este manual con la unidad si se la entrega a otra persona.

Los siguientes símbolos se utilizan en el manual del usuario:



Peligro que puede provocar la muerte o lesiones.



Información importante o consejos útiles sobre el funcionamiento.




Lea el manual de instrucciones.



Material combustible, advertencia de riesgo de incendio.

AVISO Peligro que puede causar daños materiales al aparato o a su entorno

	<p>Se puede acceder a la información del modelo almacenada en la base de datos del aparato ingresando al siguiente sitio web y buscando el identificador de su modelo (*) que se encuentra en la etiqueta energética.</p> <p>https://eprel.ec.europa.eu/</p>
--	--

1	Instrucciones de seguridad	28
1.1	Intención de uso	28
1.2	Seguridad de Niños, Personas Vulnerables y Mascotas	28
1.3	Seguridad eléctrica	29
1.4	Seguridad en el manejo	30
1.5	Seguridad de instalación.....	30
1.6	Seguridad Operacional	32
1.7	Seguridad en el almacenamiento de alimentos	34
1.8	Seguridad de mantenimiento y limpieza	35
2	Instrucciones medioambientales	36
2.1	Cumplimiento de la Directiva RA-EE y eliminación del producto de desecho:	36
3	El frigorífico	37
4	Instalación	37
4.1	Lugar correcto para la instalación .	37
4.2	Conexión eléctrica	38
4.3	Colocación de las cuñas de plástico	38
4.4	Ajuste de las patas	39
4.5	Inversión del lado de apertura de la puerta	39
4.6	Advertencia de superficie caliente .	39
5	Preparación	39
5.1	Qué hacer para ahorrar energía	39
5.2	Uso de primera vez.....	40
5.3	Clase climática y definiciones.....	40
6	Funcionamiento del producto.....	41
7	Uso de su electrodoméstico	42
7.1	Panel de Control del Producto	42
7.2	Tecnologías para el cajón de fruta y verdura	43
7.3	Área de almacenamiento en frío de productos lácteos.....	43
7.4	Inversión del lado de apertura de la puerta	43
7.5	Alerta de puerta abierta	43
7.6	Botellero plegable.....	43
7.7	Sustitución de la lámpara de iluminación	44

7.8	aeroflujo	44
8	Mantenimiento y limpieza.....	44
9	Solución de problemas	45

1 Instrucciones de seguridad

Esta sección incluye las instrucciones de seguridad necesarias para evitar riesgos de lesiones personales o daños materiales. Nuestra empresa no se hace responsable de los daños que puedan ocurrir de no seguir estas instrucciones.

Las operaciones de instalación y reparación deberán ser realizadas siempre por un servicio autorizado.

Utilice únicamente repuestos y accesorios originales.

Las piezas de repuesto originales se proporcionarán durante 10 años, a partir de la fecha de compra del producto.

No repare ni reemplace ningún componente del aparato a menos que esté claramente especificado en el manual del usuario.

No realice ninguna modificación en el producto.

1.1 Intención de uso

Este aparato no es apto para uso comercial y no debe usarse para otro fin que no sea el previsto. Este aparato está diseñado para usarse en interiores, en el hogar y lugares similares.

Por ejemplo:

- En las cocinas del personal de las tiendas, oficinas y otros entornos de trabajo,
- En casas de campo,
- En las unidades de hoteles, moteles u otras instalaciones de descanso que sean utilizadas por los clientes,
- En albergues, o ambientes similares,
- En servicios de catering y aplicaciones similares no minoristas.

Este aparato no se debe usar en entornos externos abiertos o cerrados, como embarcaciones, balcones o terrazas. Exponer el aparato a la lluvia, la nieve, la luz solar y el viento puede conllevar un riesgo de incendio.

1.2 Seguridad de Niños, Personas Vulnerables y Mascotas

- Este aparato puede ser utilizado por niños mayores de 8 años y personas con capacidades físicas, sensoriales o mentales subdesarrolladas o falta de experiencia y conoci-

miento si están bajo supervisión o han recibido instrucciones sobre el uso del aparato de manera segura y la peligros involucrados.

- A los niños entre 3 y 8 años se les permite poner y sacar alimentos del frigorífico.
- Los aparatos eléctricos son peligrosos para niños y mascotas. Los niños y los animales domésticos no deben jugar, subirse o entrar en el aparato.
- La limpieza y el mantenimiento por parte del usuario no deben ser realizados por niños, a menos que haya alguien que los supervise.
- Mantenga los materiales de embalaje fuera del alcance de los niños. Riesgo de lesiones y asfixia.

Antes de desechar aparatos viejos que ya no se utilizarán:

1. desenchufe el cable de corriente de la toma de corriente;
2. Corte el cable de corriente y retírelo del aparato junto con el enchufe.
3. no retire los estantes y cajones del aparato para así evitar que los niños entren en el aparato;

4. retire las puertas;
 5. enclaustre el aparato para que no se vuelque;
 6. No permita que los niños jueguen con el aparato viejo;
- no destruya el aparato arrojándolo al fuego. Riesgo de explosión.
 - Si hay una cerradura disponible en la puerta del producto, mantenga la llave fuera del alcance de los niños.



1.3 Seguridad eléctrica

- El aparato no debe estar enchufado durante las operaciones de instalación, mantenimiento, limpieza y reparación.
- Si el cable de corriente está dañado, debe ser reemplazado únicamente por un servicio autorizado para evitar cualquier riesgo que pueda ocurrir.
- No meta el cable de corriente debajo del aparato o en la parte trasera del producto. No coloque objetos pesados sobre el cable de corriente. El cable de corriente no debe doblarse, aplastarse ni entrar en contacto con ninguna fuente de calor.

- No utilice un cable extensor, un enchufe múltiple o un adaptador en el funcionamiento de su aparato.
- Los enchufes múltiples portátiles o las fuentes de corriente portátiles pueden sobrecalentarse y provocar incendios. Por lo tanto, no tenga un enchufe múltiple detrás o cerca del aparato.
- El enchufe debe ser fácilmente accesible. Si esto no es posible, la instalación eléctrica deberá incluir un mecanismo que cumpla con la reglamentación eléctrica y que desconecte todos los terminales de la red eléctrica (fusible, interruptor, interruptor principal, etc.).
- No toque el enchufe con las manos mojadas.
- Al desenchufar el aparato, no sujete el cable de corriente, sino el enchufe.



1.4 Seguridad en el manejo

- Este aparato es pesado, no debe ser manipulado por una sola persona.
- No sostenga el aparato de su puerta mientras lo manipula.

- Tenga cuidado de no dañar el sistema de enfriamiento y las tuberías mientras manipula el aparato. No utilice el aparato si los tubos están dañados y comuníquese con un Servicio autorizado.



1.5 Seguridad de instalación

- Contacte con el Servicio Autorizado para la instalación del producto. Para preparar el aparato para la instalación, consulte la información en el manual del usuario y asegúrese de que los servicios de electricidad y agua sean los necesarios. De lo contrario, llame a un electricista y plomero para organizar los servicios públicos según sea necesario. Si no lo hace, podría sufrir una descarga eléctrica, un incendio, problemas con el aparato o lesiones.
- Busque daños en el aparato antes de instalarlo. No instale el aparato si está dañado.
- Coloque el aparato sobre una superficie nivelada y firme y establezca con las patas ajustables. De lo contrario, el frigorífico podría volcarse y causar lesiones.

- El aparato deberá ser instalado en un ambiente seco y ventilado. No deje ninguna alfombra, tapete o cubierta de piso similares debajo del aparato. ¡Esto puede resultar en un riesgo de incendio debido a una ventilación inadecuada!
- No bloquee ni cubra los orificios de ventilación. De lo contrario, puede aumentarse el consumo de energía y dañar su aparato.
- El aparato no debe conectarse a sistemas de suministro como el suministro de energía solar. De lo contrario, su aparato puede dañarse debido a cambios repentinos de voltaje.
- Cuanto más refrigerante contenga un frigorífico, más grande debe ser su espacio de instalación. En habitaciones muy pequeñas, puede producirse una mezcla inflamable de gas-aire en caso de una fuga de gas en el sistema de enfriamiento. Se requiere al menos 1 m³ de volumen por cada 8 gramos de refrigerante. La cantidad de refrigerante disponible en su aparato se especifica en la Etiqueta de tipo.
- El lugar de instalación del aparato no debe estar expuesto a la luz solar directa y no debe estar cerca de una fuente de calor como estufas, radiadores, etc. Si no puede evitar la instalación del aparato cerca de una fuente de calor, deberá utilizar una placa de aislamiento adecuada y la distancia mínima a la fuente de calor será la que se especifica a continuación.
 - Al menos 30 cm de distancia de fuentes de calor como estufas, unidades de calefacción y calentadores, etc.,
 - Y a una distancia mínima de 5 cm de los hornos eléctricos.
- Su aparato tiene la clase de protección I.
- Enchufe el aparato en un enchufe con conexión a tierra que cumpla con los valores de voltaje, corriente y frecuencia especificados en la etiqueta de tipo. El enchufe debe tener un fusible de 10A – 16A. Nuestra empresa no asumirá la responsabilidad por ningún daño debido al uso sin toma de tierra y conexión eléctrica

de conformidad con las reglamentaciones locales y nacionales.

- El cable de corriente del aparato debe ser desenchufado durante la instalación. De lo contrario, puede producirse una descarga eléctrica y lesiones.
- No conecte el aparato a tomas de corriente sueltas, rotas, sucias, grasientas o que se hayan salido de sus asientos o con riesgo de contacto con el agua.
- Coloque el cable de corriente y las mangueras (si las hay) del aparato de manera que no presenten riesgo de tropezos.
- La penetración de humedad en las partes vivas o en el cable de corriente puede provocar un cortocircuito. Por lo tanto, no use el aparato en ambientes húmedos o en áreas donde el agua pueda salpicar (por ejemplo, garaje, lavandería, etc.) Si el frigorífico está mojado por el agua, desenchúfelo y comuníquese con un Servicio autorizado para recibir instrucciones.

- Nunca conecte su frigorífico a dispositivos de ahorro energético. Estos sistemas son perjudiciales para el producto.



1.6 Seguridad Operacional

- Nunca utilice disolventes químicos en el producto. Estos materiales contienen un riesgo de explosión.
- En caso de falla del aparato, desenchúfelo y no lo opere hasta que sea reparado por el Servicio autorizado. ¡Existe el riesgo de descarga eléctrica!
- No coloque una fuente de llamas (por ejemplo, velas, cigarrillos, etc.) sobre el aparato o cerca de él.
- No se suba en el aparato. ¡Riesgo de caídas y lesiones!
- No provoque daños en las tuberías del sistema de enfriamiento con herramientas afiladas y perforantes. El gas refrigerante que sale de un tubo perforado, las extensiones de tubería o los revestimientos de la superficie superior puede causar irritación de la piel y lesiones en los ojos.

- No coloque ni utilice aparatos eléctricos dentro del frigorífico/ congelador a menos que así lo indique el fabricante.
- No atasque ninguna parte de sus manos o su cuerpo con las partes móviles dentro del aparato. Tenga cuidado de evitar que sus dedos se atasquen entre el frigorífico y su puerta. Tenga cuidado al abrir o cerrar la puerta si hay niños cerca.
- No lleve a su boca helado, cubitos de hielo o alimentos congelados en seguida de que los saque del congelador. ¡Peligro de congelación!
- No toque las paredes internas, las partes metálicas del congelador o los alimentos guardados dentro del congelador con las manos mojadas. ¡Peligro de congelación!
- No coloque latas de refresco o latas y botellas que contengan líquidos que puedan congelarse en el compartimiento del congelador. Las latas o botellas pueden explotar. ¡Peligro de lesiones y daños materiales!
- No use ni coloque materiales sensibles a la temperatura como aerosoles inflamables, objetos inflamables, hielo seco u otros agentes químicos cerca del frigorífico. ¡Peligro de incendio y explosión!
- No guarde materiales explosivos como latas de aerosol con materiales inflamables dentro del aparato.
- No coloque latas que contengan líquidos sobre el aparato. Las salpicaduras de agua sobre una parte eléctrica pueden causar el riesgo de una descarga eléctrica o un incendio.
- Este aparato no ha sido diseñado para el almacenamiento y enfriamiento de medicamentos, plasma sanguíneo, preparaciones de laboratorio o materiales y productos similares sujetos a la Directiva de productos médicos.
- No usar el aparato para su propósito previsto, puede causar daños o deterioro de los productos que se guardan en su interior.
- Si su frigorífico está equipado con luz azul, no mire esta luz con dispositivos ópticos. No mire directamente a la luz LED UV durante mucho tiempo. Los rayos ultravioleta pueden causar fatiga visual.

- No llene el aparato con más alimentos que su capacidad. Pueden ocurrir lesiones o daños si el contenido del frigorífico se cae cuando se abre la puerta. También pueden ocurrir problemas similares cuando se coloca un objeto sobre el producto.
- Asegúrese de haber eliminado el hielo o el agua que pueda haber caído al piso para evitar lesiones.
- Cambie la ubicación de los estantes/porta botellas en la puerta de su frigorífico mientras los estantes estén vacíos solamente. ¡Existe peligro de dañarse!
- No coloque objetos que puedan caerse o volcarse sobre el producto. Estos objetos pueden caerse al abrir o cerrar la puerta y causar lesiones y / o daños materiales.
- No golpee ni ejerza una presión excesiva sobre las superficies de vidrio. Los vidrios rotos pueden causar lesiones y/ o daños materiales.
- El sistema de refrigeración de su aparato contiene refrigerante R600a. El tipo de refrigerante utilizado en el aparato se especifica en la etiqueta de tipo. Este gas es inflamable. Por lo tanto, tenga cuidado de no dañar el sistema de enfriamiento y las tuberías mientras opera el aparato. En caso de daños a las tuberías:
 1. No toque el aparato ni el cable de corriente.
 2. Mantenga el aparato alejado de posibles fuentes de fuego que puedan provocar que el aparato se incendie.
 3. Ventilar el área donde se coloca el producto. No use un ventilador.
 4. Póngase en contacto con el servicio autorizado.
 5. Si el aparato está dañado y observa fugas de gas, manténgase alejado del gas. El gas puede causar congelación si entra en contacto con su piel.



1.7 Seguridad en el almacenamiento de alimentos

Preste atención a las siguientes advertencias para evitar el deterioro de los alimentos:

- Dejar las puertas abiertas durante mucho tiempo puede hacer que aumente la temperatura en el interior del producto.
- Limpie regularmente los sistemas de drenaje accesibles en contacto con alimentos.
- Limpiar los depósitos de agua que no se hayan utilizado durante 48 horas y los sistemas de agua de red que no se hayan utilizado durante más de 5 días.
- Almacene los productos de carne y pescado crudos en compartimentos apropiados dentro del producto. Así, no gotea ni entra en contacto con otros alimentos.
- Los compartimentos congeladores de dos estrellas se utilizan para almacenar alimentos precargados, hacer y almacenar hielo y helados.
- Los compartimentos de una, dos y tres estrellas no son apropiados para congelar alimentos frescos.
- Si el frigorífico se ha dejado vacío durante mucho tiempo, apáguelo, descongélelo, límpielo y séquelo para proteger la carcasa del aparato.



1.8 Seguridad de mantenimiento y limpieza

- No tire de la manija de la puerta si va a mover el aparato para limpiarlo. La manija puede causar lesiones si se le tira con demasiada fuerza.
- No limpie el aparato rociando o vertiendo agua sobre el aparato y dentro del mismo. Riesgo de descarga eléctrica e incendio.
- Al limpiar el producto, no utilice herramientas afiladas y abrasivas ni productos de limpieza domésticos, detergentes, gas, gasolina, diluyentes, alcohol, barnices y sustancias similares. Utilice únicamente productos de limpieza y mantenimiento que no sean nocivos para los alimentos del interior del producto.
- Nunca utilice vapor o productos de limpieza al vapor para limpiar el aparato y descongelar el hielo que contiene. El vapor entra en contacto con las áreas activas de su frigorífico y provoca un cortocircuito o una descarga eléctrica.

- Tenga cuidado de mantener el agua lejos de los circuitos electrónicos o la iluminación del aparato.
- Use un paño limpio y seco para limpiar el polvo o cualquier material extraño en las puntas

de los enchufes. No utilice un paño húmedo o mojado para limpiar el enchufe. De lo contrario, puede producirse un incendio o una descarga eléctrica.

2 Instrucciones medioambientales

2.1 Cumplimiento de la Directiva RAEE y eliminación del producto de desecho:



Este aparato cumple con la Directiva WEEE (RAEE) de la UE (2012/19/EU). Este aparato lleva un símbolo de la clasificación de los equipos eléctricos y electrónicos WEEE (RAEE).

Este símbolo indica que este aparato no debe desecharse con otros desechos domésticos al final de su vida útil. El aparato usado debe ser entregado en el punto de recogida oficial para el reciclaje de aparatos eléctricos y electrónicos. Para encontrar estos puntos de limpieza, por favor, póngase en contacto con las autoridades locales o con la tienda en la que compró el aparato. Cada hogar desempeña un papel importante en la recuperación y el reciclaje

de los aparatos viejos. La eliminación apropiada de los aparatos usados ayuda a prevenir posibles consecuencias negativas en el medio ambiente y la salud humana.

Cumplimiento de la directiva RoHS

El aparato que ha adquirido cumple con la Directiva de UE RoHS (2011/65/UE). No contiene materiales nocivos ni prohibidos especificados en la Directiva.

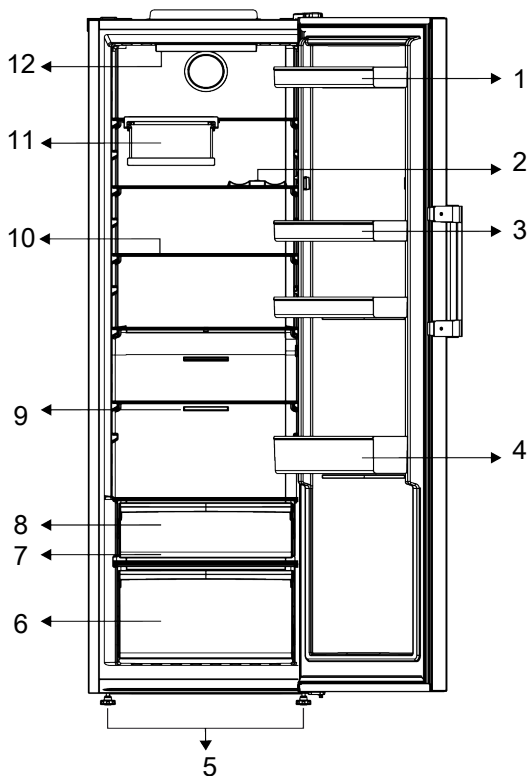


Información de embalaje

Los materiales de embalaje del aparato se fabrican con material reciclable, de acuerdo con nuestra Reglamentación Nacional para el Medio Ambiente. No desechar el embalaje junto con la basura doméstica ni similares. Lívelos a los puntos de recolección de material de embalaje designados por las autoridades locales.

3 El frigorífico

ES



- | | |
|-------------------------------|-------------------------------------|
| 1 Huevera | 2 * Botellero |
| 3 Estantes ajustables | 4 Estantes de puerta ajustables |
| 5 Patas delanteras ajustables | 6 Cajón de frutas y verduras |
| 7 * Everfresh | 8 * Cajón de almacenamiento en frío |
| 9 Ventilador | 10 Estantes ajustables |
| 11 * Botellero plegable | 12 * Lámpara de iluminación |

***Opcional:** Las imágenes de este manual de usuario son esquemáticas; es posible que no coincidan exactamente con su pro-

ducto. Si el aparato no contiene las partes pertinentes, entonces la información pertenece a otros modelos.

4 Instalación



¡Primero lea la sección de "Instrucciones de Seguridad"!

4.1 Lugar correcto para la instalación

Contacte con el Servicio Autorizado para la instalación del producto. Para preparar el aparato para la instalación, consulte la infor-

mación en el manual del usuario y asegúrese de que los servicios de electricidad y agua sean los necesarios. De lo contrario, llame a un electricista y plomero para organizar los servicios públicos según sea necesario.



ADVERTENCIA:

El fabricante no asume ninguna responsabilidad por los daños causados por el trabajo realizado por personas no autorizadas.



ADVERTENCIA:

El cable de corriente del aparato debe ser desenchufado durante la instalación. ¡El no hacerlo puede resultar en la muerte o lesiones graves!



ADVERTENCIA:

Si el espacio de la puerta es demasiado estrecho para que el aparato pase, quite la puerta y gire el aparato hacia los lados, y si esto no funciona, póngase en contacto con el servicio técnico autorizado.

- Coloque el aparato sobre una superficie plana para evitar vibraciones.
- Coloque el aparato al menos a 30 cm de distancia del calentador, estufa o fuentes de calor y por lo menos a 5 cm de distancia de hornos eléctricos.
- No exponga el aparato a la luz solar directa ni lo guarde en ambientes húmedos.
- Su aparato requiere una circulación de aire adecuada para funcionar eficientemente. Si el aparato va a ser colocado en un hueco, recuerde dejar al menos 5 cm de espacio entre el aparato y el techo, la pared trasera y las paredes laterales.
- Compruebe si el componente de protección de la parte trasera se encuentra colocado en su lugar (en caso de ser suministrado con el aparato).
- Si el componente no está disponible, o si se pierde o se cae, coloque el aparato de manera que quede un espacio libre, de al menos 5 cm, entre la superficie trasera del aparato y la pared de la habitación. El es-

pacio libre en la parte trasera es importante para el funcionamiento eficiente del aparato.

4.2 Conexión eléctrica



No utilice alargadores de cables ni enchufes múltiples, en la conexión de corriente.



Un cable de corriente dañado deberá ser reemplazado por el Servicio Autorizado.



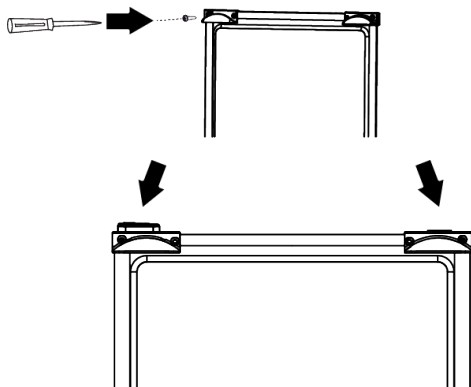
Al colocar dos frigoríficos en posición adyacente, deje al menos 4 cm de distancia entre las dos unidades.

- Nuestra empresa no asumirá la responsabilidad de cualquier daño debido al uso sin conexión de tierra y a la electricidad en el cumplimiento de las normativas nacionales.
- El enchufe del cable de corriente debe ser de fácil acceso después de la instalación.
- No utilice un enchufe multigrupo con o sin cable de extensión entre la toma de pared y el frigorífico.

4.3 Colocación de las cuñas de plástico

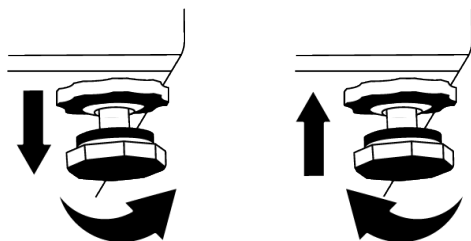
Utilice las cuñas de plástico provistas con el aparato para mantener suficiente espacio para la circulación de aire entre el aparato y la pared.

1. Para colocar las cuñas, quite los tornillos en el aparato y utilice los tornillos provistos con las cuñas.
2. Coloque 2 cuñas de plástico sobre la cubierta de la ventilación como se muestra en la figura.



4.4 Ajuste de las patas

Si el aparato no está en una posición equilibrada, ajuste las patas delanteras ajustables girándolas hacia la derecha o hacia la izquierda.



5 Preparación



¡Primero lea la sección de "Instrucciones de Seguridad"!

5.1 Qué hacer para ahorrar energía



La conexión del aparato a sistemas de ahorro de energía electrónica es perjudicial, ya que puede dañar el aparato.

- Este aparato de refrigeración no está diseñado para ser utilizado como un aparato empotrado.
- No mantenga las puertas del frigorífico abiertas por largos periodos.
- No coloque alimentos ni bebidas calientes en el frigorífico.
- No llene demasiado el frigorífico, bloquear el flujo de aire interno reducirá la capacidad de enfriamiento.
- Para cargar la máxima cantidad de alimentos en el congelador de su frigorífico, se deben sacar los cajones superiores y colocar los alimentos en los estantes de alambre/vidrio. El volumen neto y la información sobre el consumo de energía declarados en la etiqueta energética de su aparato se obtuvieron sacando los cajones superiores del compartimento de refrigeración y el cubo de hielo, que es fácilmente extraíble con la mano.
- Se recomienda enfáticamente usar el cajón de abajo cuando se almacene.

4.5 Inversión del lado de apertura de la puerta

El lado de apertura de la puerta de su frigorífico se puede invertir según el lugar donde lo coloque. Cuando lo necesite, definitivamente debe llamar al Servicio Autorizado más cercano.

4.6 Advertencia de superficie caliente

En las paredes laterales de su aparato existen tubos de enfriamiento para mejorar el sistema de refrigeración. Es posible que el fluido a alta presión fluya a través de estas superficies y ocasione superficies calientes en las paredes laterales. Esto es normal y no requiere servicio. Tenga cuidado cuando toca estas áreas.

- Dependiendo de las características del aparato, descongelar los alimentos congelados en el frigorífico garantizará el ahorro energético y preservará la calidad de los alimentos.
- Asegúrese de que los alimentos no estén en contacto con el sensor de temperatura del compartimento refrigerador descrito a continuación.
- Para garantizar el ahorro de energía y proteger los alimentos en mejores condiciones los alimentos se almacenarán en los cajones del frigorífico.
- Los paquetes de alimentos no deben estar en contacto directo con el sensor de temperatura ubicado en el compartimento del congelador.
- Si están en contacto con el sensor, el consumo de energía del aparato puede aumentar

5.2 Uso de primera vez

Antes de usar su frigorífico, asegúrese de que se hayan realizado los preparativos necesarios de acuerdo con las instrucciones de las secciones "Instrucciones de seguridad y medio ambiente" e "Instalación".

- Mantenga el aparato en funcionamiento sin colocar comida en su interior durante 6 horas y no abra la puerta, a menos que sea absolutamente necesario.
- El cambio de temperatura causado por abrir y cerrar la puerta mientras se usa el aparato normalmente puede provocar condensación en los estantes de la puerta/cuerpo y la cristalería colocada en el producto.



Un sonido se escuchará cuando el compresor esté activado. Es normal que el aparato haga ruido incluso si el compresor no está funcionando, ya que el líquido y el gas pueden estar comprimidos en el sistema de refrigeración.



Es normal que los bordes delanteros del frigorífico se sientan cálidos. Estas áreas están diseñadas para calentarse con el fin de evitar la condensación.



Para algunos modelos, el panel indicador se apaga automáticamente 1 minuto después de que se cierra la puerta. Se reactivará cuando se abra la puerta o se presione cualquier botón.

5.3 Clase climática y definiciones

Consulte la clase climática en la placa de características de su dispositivo. Una de las siguientes informaciones es aplicable a su dispositivo según la clase climática.

- **Número de serie:** Clima templado a largo plazo: Este dispositivo de refrigeración está diseñado para su uso a temperaturas ambiente entre 10 °C y 32 °C.
- **NORTE:** Clima templado: Este dispositivo de refrigeración está diseñado para su uso a temperaturas ambiente entre 16 °C y 32 °C.
- **ST:** Clima subtropical: Este dispositivo de refrigeración está diseñado para su uso a temperaturas ambiente entre 16 °C y 38 °C.
- **T:** Clima tropical: Este dispositivo de refrigeración está diseñado para su uso a temperaturas ambiente entre 16 °C y 43 °C.

6 Funcionamiento del producto



¡Primero lea la sección de "Instrucciones de Seguridad"!

- Este aparato no es apropiado para congelar alimentos.
- Para agilizar la operación de descongelación, no utilice ninguna herramienta mecánica ni ninguna otra que no sea la recomendada por el fabricante.
- Las partes del frigorífico tales como la puerta y los cajones no se deben utilizar como soporte ni como escalón. Esto podría causar que el el aparato se vuelque o que se dañen sus componentes.
- El aparato se utilizará solamente para almacenar alimentos.

- Cierre la válvula de agua si estará fuera de casa (por ejemplo, de vacaciones) y no utilizará el Icematic o el dispensador de agua durante un largo período de tiempo. En caso contrario, pueden producirse fugas de agua.

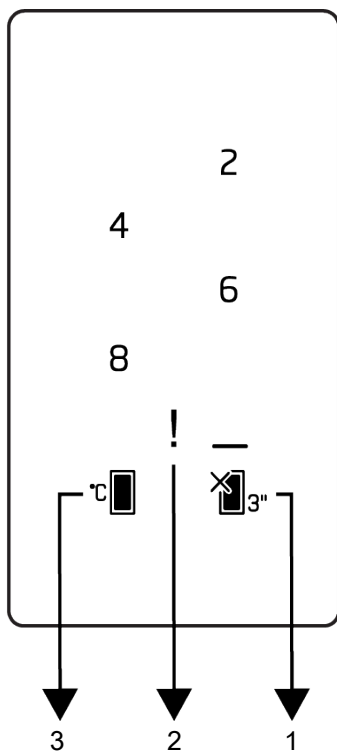
Pausando el programa

- Si no va a utilizar el aparato durante mucho tiempo, desenchúfelo de la toma de corriente.
- Retire la comida para evitar olores.
- Espere a que se derrita el hielo, limpie el interior y déjelo secar, deje las puertas abiertas para no dañar los plásticos internos de la carrocería.

ES

7 Uso de su electrodoméstico

7.1 Panel de Control del Producto



- 1 Función de apagado del compartimento frigorífico (vacaciones)
- 3 Tecla para el ajuste de la temperatura del compartimento frigorífico

- 2 Indicador de estado de avería



En primer lugar, lea la sección "Instrucciones de seguridad".

Las funciones audiovisuales del panel de indicadores le ayudarán a usar el refrigerador.

***Opcional:** Las funciones mostradas son opcionales, puede haber diferencias de forma y ubicación en las funciones que se encuentran en el panel de su aparato.

1. Tecla de apagado del compartimento frigorífico (vacaciones)

Pulse la tecla durante 3 segundos para activar la función de vacaciones. Modo de vacaciones se activa y el LED de la tecla se ilumina. El compartimento frigorífico no realiza la función de enfriamiento activo. En caso de activar esta función, no deberá guardar comida en el frigorífico. Mantenga pulsada la tecla durante 3 segundos para cancelar esta función.

2. Indicador de fallo/avería !

En caso de que el frigorífico no enfríe lo suficiente, o de que se produzca un error en el sensor, este indicador se activará. Es posible que aparezca un signo de exclamación cuando se coloquen alimentos calientes en el congelador, o cuando se deje la puerta abierta durante mucho tiempo. Este no es un fallo, esta advertencia desaparecerá cuando los alimentos se enfríen o cuando la tecla se pulsa.

3. Tecla de configuración de la temperatura del compartimento frigorífico °C

Permite ajustar la temperatura del compartimento frigorífico. Al pulsar la tecla se podrá programar la temperatura del compartimento frigorífico a 8, 6, 4, 2 °C.

7.2 Tecnologías para el cajón de fruta y verdura

Luz azul

Las frutas y verduras almacenadas en los cajones que se iluminan con una luz azul continúan su fotosíntesis gracias al efecto de longitud de onda de la luz azul y así preservarán su contenido vitamínico.

HarvestFresh

Las frutas y verduras almacenadas en cajones iluminados con la tecnología HarvestFresh conservan sus vitaminas durante más tiempo gracias a los ciclos de luz azul, verde, rojo y oscuro, que simulan un ciclo diurno.

Al abrir la puerta de su frigorífico durante el periodo de oscuridad de la tecnología HarvestFresh, su frigorífico lo detectará automáticamente e iluminará el cajón con una de las luces azul, verde o roja, respectivamente, para su comodidad. Después de cerrar la puerta del refrigerador, el ciclo oscuro se reanuda, para así completar el ciclo diurno natural.

7.3 Área de almacenamiento en frío de productos lácteos

Cajón de almacenamiento en frío

El cajón de almacenamiento en frío puede alcanzar temperaturas más bajas en el compartimento frigorífico. Utilice este cajón para productos delicatessen (salami, salchichas, etc.) y productos lácteos que requieran condiciones de conservación más frías, o para carne, pollo o pescado de consumo rápido. No es adecuado almacenar frutas y verduras en este cajón.

7.4 Inversión del lado de apertura de la puerta

El lado de apertura de la puerta de su frigorífico se puede invertir según el lugar donde lo coloque. Cuando lo necesite, definitivamente debe llamar al Servicio Autorizado más cercano.

7.5 Alerta de puerta abierta

Alerta de puerta abierta

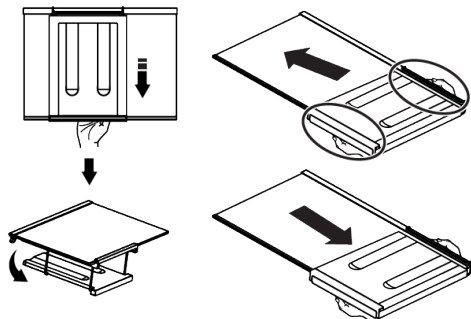
Se escuchará una alarma sonora si la puerta del aparato permanece abierta durante 1 minuto. La alerta audible se detendrá cuando cierre la puerta del gabinete o presione cualquier botón en la pantalla (si está disponible).

7.6 Botellero plegable

Permite al usuario almacenar botellas de vino si es necesario. Para utilizar la sección de rejilla, sujete la parte de plástico y tire suavemente hacia abajo. Ahora puede utilizar el botellero plegable.



Se recomienda almacenar un máximo de 2 botellas de vino en el botellero plegable.



Para agrupar el botellero, primero retire el estante de vidrio del frigorífico. Colóquelo en el estante de vidrio empujando la pieza de plástico a través de las ranuras delantera y trasera como se muestra en la imagen. El aparato estará listo para usar con el botellero plegable.

Para quitar el botellero plegable, primero quite el estante de vidrio del frigorífico. Luego tome la pieza de plástico y tire de ella en cualquier dirección. Ahora puede utilizar el aparato sin un botellero plegable cuando sea necesario.

7.7 Sustitución de la lámpara de iluminación

Llame al Servicio Autorizado cuando la Bombilla/LED utilizada para la iluminación de su frigorífico sea reemplazada.

8 Mantenimiento y limpieza



ADVERTENCIA:

En primer lugar, lea la sección "Instrucciones de seguridad".



ADVERTENCIA:

Desenchufe el frigorífico antes de limpiarlo.

- No utilice herramientas afiladas o abrasivas para limpiar el aparato. No utilice materiales como productos de limpieza del hogar, jabón, detergentes, gas, gasolina, diluyente, alcohol, cera, etc.

La(s) lámpara(s) utilizada(s) en este aparato no se puede(n) utilizar para la iluminación del hogar. Esta lámpara está pensada para ayudar al usuario a colocar los alimentos en el frigorífico/congelador de forma segura y cómoda.

7.8 aeroflujo

Es un sistema de distribución de aire que proporciona una distribución homogénea de la temperatura. Con la circulación del aire, se asegura la distribución homogénea de la temperatura en el compartimento de almacenamiento de alimentos frescos y las fluctuaciones de temperatura se mantienen en niveles bajos. No se realiza ningún sople de aire directo sobre los alimentos y esto ayuda a reducir la pérdida de humedad. Conserva la frescura de los alimentos almacenados en el compartimento de alimentos frescos del frigorífico. De esta forma, tus alimentos se almacenan a temperaturas más estables y se reduce el contacto con el aire. Se evita el secado y encogimiento de los alimentos por la pérdida de humedad y se proporciona frescura por más tiempo.

- Se debe quitar el polvo de la rejilla de ventilación de la parte trasera del aparato al menos una vez al año (sin abrir la tapa). Limpie el aparato con un paño seco.
- Tenga cuidado en mantener el agua lejos de la cubierta de la lámpara y otras partes eléctricas.
- Limpie la puerta con un paño húmedo. Retire todo el contenido para quitar la puerta y las rejillas de la carcasa. Retire las rejillas de la puerta elevándolas hacia arriba. Limpie y seque las estanterías, a continuación, colóquelas de nuevo en su lugar deslizándolas desde arriba.

- No utilice agua clorada ni productos de limpieza en la superficie exterior ni en las partes cromadas del producto. El cloro causará herrumbre en este tipo de superficies metálicas.
- A fin de evitar la deformación de la pieza de plástico y la eliminación de los grabados en la pieza no utilice herramientas afiladas y abrasivas, jabón, materiales de limpieza doméstica, detergentes, gas, gasolina, barniz y sustancias similares. Utilice agua tibia y paño suave para limpiar, y luego seque el aparato.
- En los aparatos que no tienen la función No-Frost, es posible que se produzcan gotas de agua y hielo de un grosor de un dedo en la pared posterior del congelador. No lo limpie, y nunca aplique aceites o materiales similares.
- Utilice un paño de microfibra ligeramente humedecido para limpiar la superficie externa del producto. Las esponjas y otros tipos de trapos de limpieza pueden provocar arañazos.
- Para limpiar todos los componentes removibles durante la limpieza de la superficie interior del producto, lave estos componentes con una solución suave que consista en jabón, agua y carbonato. Llave muy bien y seque. Evite que el agua entre en contacto con los componentes de la iluminación y el panel de control.



¡PRECAUCIÓN!

No utilice vinagre, alcohol para frotar u otros agentes de limpieza a base de alcohol en ninguna de las superficies interiores.

Superficies externas de acero inoxidable

Utilice un producto de limpieza no abrasivo para acero inoxidable y aplíquelo con un paño suave sin pelusas. Para pulir, limpie suavemente la superficie con un paño de microfibra humedecido con agua y use una gamuza de pulido en seco. Siga siempre los hilos del acero inoxidable.

Prevención de olores

El aparato se fabrica libre de cualquier material oloroso. Sin embargo, mantener la comida en secciones inadecuadas y una limpieza inadecuada de las superficies internas puede causar olor.

- Para evitar esto, limpie el interior con agua carbonatada cada 15 días.
- Mantenga los alimentos en recipientes sellados, ya que los microorganismos que surgen de los alimentos guardados en recipientes sin sellar causarán mal olor.
- No guarde alimentos caducados y en mal estado en el frigorífico.

Protección de superficies de plástico

El aceite derramado en las superficies de plástico puede dañar la superficie y debe ser limpiado inmediatamente con agua tibia.

9 Solución de problemas

Revise esta lista antes de contactar con el servicio técnico. Si lo hace, le ahorrará tiempo y dinero. Esta lista incluye quejas frecuentes que no están relacionados con la mano de obra ni materiales defectuosos. Algunas funciones mencionadas en este documento pueden no ser aplicables a su aparato.

El frigorífico no está funcionando.

- El enchufe no está totalmente en la toma. >>> Conéctelo para asentarlos por completo en la toma.
- El fusible conectado a la toma de corriente del aparato o el fusible principal está fundido. >>> Compruebe el fusible.

Condensación en la pared lateral del compartimento frigorífico (MULTI ZONE, COOL CONTROL y FLEXI ZONE).

- La puerta se abre con demasiada frecuencia. >>> Tenga cuidado de no abrir la puerta del aparato con demasiada frecuencia.
- El medio ambiente es demasiado húmedo. >>> No instale el aparato en ambientes húmedos.

- Los alimentos que contienen líquidos se mantienen en sus envases sin sellar. >>> Mantenga los alimentos que contengan líquidos en envases sellados.
- La puerta del aparato se deja abierta. >>> No mantenga la puerta del aparato abierta durante largos periodos.
- El termostato está ajustado a una temperatura muy fría. >>>Ajuste el termostato a un nivel apropiado.

El compresor no está funcionando.

- En caso de fallo de corriente repentino o tirando del enchufe de corriente y poniéndolo de nuevo, la presión del gas en el sistema de refrigeración del aparato no será equilibrada, lo que desencadena la salvaguarda térmica del compresor. El aparato se reiniciará después de aproximadamente 6 minutos. Si el aparato no se reinicia después de este período, póngase en contacto con el servicio.
- La descongelación está activa. >>> Esto es normal para un aparato de descongelación completamente automático. La descongelación se realiza periódicamente.
- El aparato no está enchufado. >>> Asegúrese de que el cable de corriente esté enchufado.
- El ajuste de la temperatura es incorrecto. >>> Seleccione el ajuste adecuado de la temperatura.
- No hay energía eléctrica. >>> El aparato continuará funcionando con normalidad una vez que se restablezca la corriente.

El ruido de funcionamiento del frigorífico aumenta mientras está en uso.

- El desempeño operativo del aparato puede variar en función de las variaciones de la temperatura ambiente. Esto es normal y no indica mal funcionamiento.

El frigorífico funciona demasiado a menudo o por demasiado tiempo.

- El nuevo aparato puede ser más grande que el anterior. Los aparatos de mayor tamaño se ejecutarán por períodos más largos.

- La temperatura ambiente puede ser alta. >>> El aparato normalmente funciona durante largos períodos a mayor temperatura de la habitación.
- El aparato puede haber sido conectado recientemente o un nuevo alimento fue colocado en su interior. >>> El aparato tardará más en alcanzar la temperatura fijada cuando es enchufado recientemente o si un nuevo alimento se coloca en el interior. Esto es normal.
- Grandes cantidades de alimentos calientes pueden haber sido colocados recientemente en el aparato. >>> No coloque alimentos calientes dentro del aparato.
- Las puertas se abren frecuentemente o se mantienen abiertas durante largos períodos. >>> El aire caliente que se mueve adentro hará que el aparato funcione más tiempo. No abra las puertas con demasiada frecuencia.
- La puerta del congelador o del frigorífico puede estar abierta. >>> Compruebe que las puertas estén completamente cerradas.
- Es posible que el aparato esté configurado a una temperatura demasiado baja. >>> Ajuste la temperatura a un grado más alto y espere a que el aparato alcance la temperatura ajustada.
- La arandela de la puerta del frigorífico o el congelador puede estar sucia, desgastada, rota o mal instalada. >>> Limpie o cambie el sello. Una arandela de la puerta dañada / agrietada hará que el aparato funcione durante períodos más largos para preservar la temperatura actual.

La temperatura del congelador es muy baja, pero la temperatura del frigorífico es adecuada.

- La temperatura del compartimento congelador se establece a un grado muy bajo. >>> Ajuste la temperatura del compartimento del congelador a un grado más alto y vuelva a intentarlo.

La temperatura del enfriador es muy baja, pero la temperatura del congelador es adecuada.

- La temperatura del compartimento congelador se establece a un grado muy bajo. >>> Ajuste la temperatura del compartimento frigorífico a un grado más alto y verifique nuevamente.

Los alimentos guardados en los cajones del compartimento de refrigeración se congelan.

- La temperatura del compartimento congelador se establece a un grado muy bajo. >>> Ajuste la temperatura del compartimento frigorífico a un grado más alto y verifique nuevamente.

La temperatura en el frigorífico o el congelador es demasiado alta.

- La temperatura del compartimento del congelador se establece a un grado muy bajo. >>> El valor de la temperatura del compartimento de refrigeración tiene un efecto sobre la temperatura en el compartimento congelador. Espere hasta que la temperatura de las partes pertinentes alcancen el nivel suficiente cambiando la temperatura del frigorífico o del congelador.
- Las puertas se abren frecuentemente o se mantienen abiertas durante largos períodos. >>> No abra las puertas con demasiada frecuencia.
- La puerta puede estar abierta. >>> Cierre la puerta por completo.
- El aparato puede haber sido conectado recientemente o un nuevo alimento fue colocado en su interior. >>> Esto es normal. El aparato tardará más en alcanzar la temperatura fijada fue enchufado recientemente o si un nuevo alimento se coloca en el interior.
- Grandes cantidades de alimentos calientes pueden haber sido colocados recientemente en el aparato. >>> No coloque alimentos calientes dentro del aparato.

Ruido o agitación.

- La superficie no es plana ni duradera >>> Si el aparato tiembla cuando se mueve lentamente, ajuste los soportes para equilibrar el producto. También asegúrese de que el suelo sea lo suficientemente resistente para soportar el aparato.
- Cualquier artículo colocado sobre el aparato pueden causar ruido. >>> Retire todos los objetos colocados sobre el aparato.
- El aparato está haciendo ruido de flujo de líquido, rociado, etc.
- Los principios de funcionamiento del aparato implican flujos de líquido y gas. >>> Esto es normal y no indica mal funcionamiento.

Hay sonido del viento que sopla procedente del aparato.

- El aparato utiliza un ventilador para el proceso de enfriamiento. Esto es normal y no indica mal funcionamiento.

Hay condensación en las paredes internas del aparato.

- El clima caliente o húmedo aumentarán la formación de hielo y de condensación. Esto es normal y no indica mal funcionamiento.
- Las puertas se abren frecuentemente o se mantienen abiertas durante largos períodos. >>> No abra las puertas con demasiada frecuencia, si están abiertas, ciérralas.
- La puerta puede estar abierta. >>> Cierre la puerta por completo.

Hay condensación en el exterior del aparato o entre las puertas.

- Puede ser por que el clima ambiental sea húmedo, esto es bastante normal en ambientes húmedos. >>> La condensación se disipará cuando se reduzca la humedad.

El interior huele mal.

- El aparato es limpiado regularmente. >>> Limpie el interior con regularidad utilizando una esponja, agua caliente y agua carbonatada.

- Ciertos envases y materiales de embalaje pueden causar olor. >>> Utilice envases y materiales de embalaje que sean exentos de olores.
- Los alimentos se colocan en envases no sellado. >>> Mantenga los alimentos en envases sellados. Los microorganismos pueden propagarse fuera de los alimentos sin sellar y causar mal olor.
- Retire todos los alimentos caducados o en mal estado del aparato.

La puerta no se cierra.

- Los paquetes de alimentos pueden estar bloqueando la puerta. >>> Cambie de lugar los elementos que bloquean las puertas.
- El aparato no está en posición vertical sobre la base. >>> Ajuste los soportes para equilibrar el aparato.
- La superficie no es plana ni duradera >>> Asegúrese de que la superficie sea plana y lo suficientemente duradera para soportar el producto.

El cajón de verduras está atascado.

- Los alimentos pueden estar en contacto con la parte superior del cajón. >>> Reorganice los alimentos en el cajón.

Temperatura en la superficie del producto.

- Se pueden observar altas temperaturas entre las dos puertas, en los paneles laterales y en la parrilla trasera mientras el aparato está en funcionamiento. Esto es normal y no requiere servicio.

El ventilador sigue funcionando cuando la puerta está abierta.

- El ventilador puede seguir funcionando cuando la puerta del congelador está abierta.



ADVERTENCIA: Si el problema persiste después de seguir las instrucciones de esta sección, póngase en contacto con su vendedor o un Servicio Autorizado. No trate de reparar el aparato. Esto es normal.

DESCARGO DE RESPONSABILIDAD / ADVERTENCIA

Algunas averías (simples) pueden ser manejadas adecuadamente por el usuario final sin que surja ningún problema de seguridad o uso inseguro, siempre que se realicen dentro de los límites y de acuerdo con las siguientes instrucciones (véase la sección "Autorreparación").

Por lo tanto, a menos que se autorice lo contrario en la sección "Autorreparación", las reparaciones deberán dirigirse a reparadores profesionales registrados para evitar problemas de seguridad. Un reparador profesional registrado es aquel al que el fabricante ha concedido acceso a las instrucciones y la lista de piezas de repuesto de este aparato de acuerdo con los métodos descritos en los actos legislativos de conformidad con la Directiva 2009/125/CE.

Sin embargo, solo el agente de servicio (es decir, reparadores profesionales autorizados) al que pueda comunicarse a través del número de teléfono propor-

cionado en el manual del usuario/tarjeta de garantía oa través de su distribuidor autorizado puede brindarle servicio bajo los términos de la garantía. Por lo tanto, tenga en cuenta que las reparaciones realizadas por reparadores profesionales (que no están autorizados por Beko) anularán la garantía.

Auto-reparación

El usuario final puede realizar la reparación por sí mismo con respecto a las siguientes piezas de repuesto: manijas de las puertas, bisagras de las puertas, bandejas, cestas y juntas de las puertas (también está disponible una lista actualizada support.beko.com a partir del 1 de marzo de 2021).

Además, para garantizar la seguridad del aparato y evitar el riesgo de lesiones graves, la autorreparación mencionada debe realizarse siguiendo las instrucciones del manual de usuario para autorreparación o que están

disponibles en support.beko.com . Por su seguridad, desenchufe el aparato antes de intentar cualquier autoreparación.

Los intentos de reparación por parte de los usuarios finales de piezas no incluidas en dicha lista y/o que no sigan las instrucciones de los manuales de usuario para la auto-reparación o que están disponibles en support.beko.com, podrían dar lugar a problemas de seguridad no imputables a Beko, y anularán la garantía del aparato.

Por lo tanto, se recomienda encarecidamente a los usuarios finales que se abstengan de intentar llevar a cabo reparaciones que queden fuera de la mencionada lista de piezas de repuesto, poniéndose en contacto en tales casos con reparadores profesionales autorizados o con reparadores profesionales registrados. Por el contrario, tales intentos por parte de los usuarios finales pueden causar problemas de seguridad y dañar el aparato y, posteriormente, provocar un incendio, una inundación, una electrocución y lesiones personales graves.

A modo de ejemplo, pero no limitado a, las siguientes reparaciones deben dirigirse a reparadores profesionales autorizados o reparadores profesionales registrados: compresor, circuito de refrigeración, placa principal, placa inverter, placa de visualización, etc.

El fabricante/vendedor no se hace responsable en ningún caso en el que los usuarios finales no cumplan con lo anterior.

La disponibilidad de repuestos del frigorífico que compró es de 10 años. Durante este período, los repuestos originales estarán disponibles para operar el frigorífico correctamente.

La duración mínima de la garantía del refrigerador que ha comprado es de 24 meses. Este aparato está equipado con una fuente de iluminación de clase energética "G".

La fuente de iluminación de este aparato solo debe ser reemplazada por un reparador profesional.



Primeiro deve ler este manual!

Caro Cliente,





Deve ler este manual antes de utilizar o produto.

Agradecemos ter escolhido este produto Beko . Gostaria de obter uma eficiência ótima deste produto de alta qualidade que foi fabricado com a tecnologia mais moderna. Para o fazer, deve ler cuidadosamente este manual e qualquer outra documentação fornecida antes de utilizar o produto e manter a mesma como uma referência.





Deve prestar atenção a toda a informação e todas as advertências no manual do utilizador. Desta forma, irá proteger-se a si mesmo e ao seu produto contra os perigos que podem ocorrer.

Guardar o manual do utilizador. Deve incluir este manual com a unidade caso o produto seja cedido a outra pessoa.

São usados os símbolos seguintes no manual do utilizador:

	Risco que pode resultar em morte ou lesões.
	Informações importantes ou dicas úteis sobre o funcionamento.
	Ler o manual do utilizador.
	Material combustível, advertência contra risco de incêndio.

OBSERVAÇÃO Um risco que pode causar danos materiais ao produto ou ao seu redor

		A informação do modelo tal como está guardada na base de dados do produto pode ser acedida entrando no seguinte sítio web e procurando o seu identificador de modelo (*) encontrado na etiqueta energética. https://eprel.ec.europa.eu/
SUPPLIER'S NAME	MODEL IDENTIFIER → (*)	
		

	8	Manutenção e limpeza.....	73
	9	Resolução de problemas.....	74
1		Instruções de segurança.....	56
1.1		Uso a que se destina.....	56
1.2		Segurança de crianças, pessoas vulneráveis e animais de estimação.....	56
1.3		Segurança elétrica.....	57
1.4		Segurança de manuseamento.....	58
1.5		Segurança da instalação.....	58
1.6		Segurança de funcionamento.....	60
1.7		Segurança de armazenamento dos alimentos.....	63
1.8		Segurança da manutenção e limpeza.....	64
2		Instruções ambientais	64
2.1		Em conformidade com a Diretiva REEE e Eliminação de Resíduos: ..	64
3		O seu Frigorífico.....	66
4		Instalação	67
4.1		Lugar correto para a instalação	67
4.2		Ligação elétrica	67
4.3		Fixar as cunhas de plástico.....	67
4.4		Ajustar os pés.....	68
4.5		Inverter o lado de abertura da porta	68
4.6		Advertência de superfície quente..	68
5		Preparação	68
5.1		O que fazer para poupar energia ..	68
5.2		Primeira utilização.....	69
5.3		Classe climática e definições	69
6		Funcionar com o produto.....	69
7		Uso do seu aparelho.....	71
7.1		Painel de controlo de produto.....	71
7.2		Tecnologias da gaveta para frescos	72
7.3		Zona de armazenamento de produtos láteos frios.....	72
7.4		Inverter o lado de abertura da porta	72
7.5		Alerta de porta aberta.....	72
7.6		Prateleira dobrável para vinhos.....	72
7.7		Substituição da lâmpada iluminação	73
7.8		AeroFlow	73

1 Instruções de segurança

Esta secção inclui as instruções de segurança necessárias para prevenir risco de lesões e danos materiais.

A nossa empresa não será considerada responsável por danos que possam ocorrer caso estas instruções não sejam seguidas.

A instalação e reparação devem ser sempre realizadas por Assistência Autorizada.

Utilizar apenas peças de substituição e acessórios originais.

As peças de substituição serão fornecidas durante 10 anos após a data de compra do produto.

Não reparar ou substituir qualquer componente do produto exceto se especificamente mencionado no manual do utilizador.

Não realizar quaisquer modificações no produto.

1.1 Uso a que se destina

Este produto não é adequado para uso comercial e não deve ser usado exceto para o fim a que se destina. Estes produtos

é destinado a ser usado no interior, em habitações e espaços similares.

Por exemplo:

- Nas cozinhas do pessoal de estabelecimentos comerciais e outros ambientes de trabalho,
- Em casa rurais,
- Em unidades hoteleiras, motéis ou outras instalações de lazer que são utilizadas por clientes,
- Em hostels e alojamentos similares,
- Em serviços de restauração e grossistas similares.

Este produto não deve ser usado em ambientes exteriores fechados ou abertos como navios, varandas ou terraços. Expor o produto à chuva, neve, sol e vento pode causar perigo elétrico.

1.2 Segurança de crianças, pessoas vulneráveis e animais de estimação



- Este produto pode ser usado por crianças a partir de 8 anos e mais e por pessoas com

capacidades físicas, sensoriais ou mentais reduzidas ou com falta de experiência e conhecimento se lhes tiver sido dada a supervisão ou tiver sido dada instrução relativamente ao uso do produto de uma forma segura e entender os riscos envolvidos.

- Crianças entre 3 e 8 anos podem colocar e retirar alimentos de/para do frigorífico.
- Os produtos elétricos são perigosos para as crianças e para os animais domésticos. As crianças e os animais de estimação não podem brincar, trepar ou entrar dentro do produto.
- A limpeza e manutenção do utilizador não deve ser feita por crianças a menos que sejam supervisionadas.
- Manter o material de embalagem afastado do alcance das crianças. Risco de lesão ou asfixia

Antes de eliminar os produtos antigos que já não devem ser usados:

1. Desligar o cabo de alimentação da tomada elétrica.

2. Cortar o cabo de alimentação e remover o mesmo do aparelho em conjunto com a ficha.
 3. Não remover as prateleiras e as gavetas do produto de modo a impedir que as crianças entrem para dentro do mesmo.
 4. Remover as portas.
 5. Armazenar o produto de modo que não possa ser tombado.
 6. Não permitir que as crianças brinquem com o produto desmontado.
- Não eliminar o produto colocando-o no fogo. Risco de explosão.
 - Se existir algum fecho na porta do produto, deve manter a chave longe do alcance das crianças.



1.3 Segurança elétrica

- O produto não deve ser ligado à tomada durante as operações de instalação, manutenção, limpeza, reparação e transporte.
- Se o cabo de alimentação estiver danificado, deve ser substituído pela assistência

autorizada apenas para evitar qualquer risco que possa ocorrer.

- Não dobrar o cabo de alimentação por baixo do produto ou na parte de trás do produto. Não colocar objetos pesados em cima do cabo de alimentação. O cabo de alimentação não pode ser dobrado, esmagado ou entrar em contacto com qualquer fonte de calor.
- Não usar um cabo de extensão, uma extensão múltipla ou um adaptador para operar com o seu produto.
- As tomadas múltiplas portáteis ou as fontes de alimentação portáteis podem sobreaquecer ou provocar um incêndio. Portanto, não colocar uma extensão múltipla atrás ou junto ao produto.
- A ficha deve estar facilmente acessível. Se isso não for possível, deve estar disponível na instalação elétrica um mecanismo que esteja em conformidade com a legislação e que desligue todos os terminais da corrente elétrica (fusível, disjuntor, disjuntor geral, etc.).

- Não tocar na ficha com as mãos molhadas.
- Quando desligar o aparelho, não segurar no cabo de alimentação, mas na ficha.



1.4 Segurança de manuseamento

- Este produto é pesado, não o deve manusear sozinho.
- Quando estiver a manusear o produto, não o segurar pela porta.
- Ter o cuidado de não danificar o sistema de refrigeração e as tubagens quando estiver a manusear o produto. Não operar o produto se a tubagem estiver danificada e deve contactar a assistência autorizada.



1.5 Segurança da instalação

- Contactar a Assistência Autorizada para a instalação do produto. Para preparar o produto para a instalação, consultar a informação no manual do utilizador e assegurar que as ligações elétricas e da água estão conforme é exigido. Se não, contactar um electricista e um canalizador para fazer as

adequações necessárias. O incumprimento do referido pode resultar em choque elétrico, incêndio, problemas com o produto ou lesões.

- Verificar se há algum dano no produto antes de o instalar. Não instalar o produto se estiver danificado.
- Colocar o produto numa superfície nivelada e rija e equilibrar o mesmo com os pés ajustáveis. Caso contrário, o frigorífico pode-se tombar e provocar lesões.
- O produto deve ser instalado num espaço seco e ventilado. Não manter carpetes, tapetes ou revestimentos similares do pavimento por baixo do produto. Isso pode provocar um incêndio em consequência de uma ventilação não adequada!
- Não bloquear os orifícios de ventilação. Caso contrário, o consumo de energia pode aumentar e podem ocorrer danos no seu produto.
- O produto não deve ser ligado a sistemas de alimentação como o fornecimento de energia solar. Caso contrário,

o produto pode ficar danificado devido a alterações repentinas de tensão!

- Quanto mais refrigerante um frigorífico tiver, maior deverá ser o espaço para a instalação. Em espaços muito pequenos, pode ocorrer uma mistura de gás-ar inflamável no caso de uma fuga de gás no sistema de refrigeração. É necessário pelo menos 1 m³ de volume por cada 8 gramas de refrigerante. A quantidade de refrigerante disponível no seu produto é especificada na Etiqueta de Classificação.
- O local de instalação do produto não deve estar exposto à luz solar direta e não deve estar junto de uma fonte de calor como fogões, radiadores, etc. Se não puder evitar a instalação do produto junto de uma fonte de calor, deve usar uma placa de isolamento adequada e a distância mínima da fonte de calor deve ser como abaixo especificada.
 - Pelo menos 30 cm afastada de fontes de calor como fogões, equipamentos de aquecimento e aquecedores, etc.

- E pelo menos 5 cm afastada de fornos elétricos.
- O seu produto tem a classe de proteção de I.
- Ligar o produto numa tomada com ligação terra que esteja de acordo com os valores de tensão, corrente e frequência especificados na etiqueta de classificação. A tomada deve ter um fusível de 10A - 16A. A nossa empresa não assumirá responsabilidade por quaisquer danos devido à utilização sem ligação da alimentação elétrica e à terra em conformidade com os regulamentos locais e nacionais.
- O cabo de alimentação do produto deve ser desligado durante a instalação. Caso contrário, pode ocorrer risco de choque elétrico e de danos!
- Não ligar o produto a tomadas soltas, partidas, sujas, com gordura ou a tomadas que estejam fora do lugar ou tomadas com risco de contacto com água.
- Colocar o cabo de alimentação e as mangueiras (se existirem) do produto de modo a não provocarem um risco de queda.
- A penetração da humidade nas partes condutoras ou no cabo de alimentação podem provocar um curto-circuito. Portanto, não usar o produto em espaços húmidos ou em áreas onde a água pode salpicar (por ex. garagem, lavandaria, etc.). Se o frigorífico ficar molhado com água, desligar o mesmo e contactar a assistência autorizada.
- Não ligar o seu frigorífico a dispositivos de poupança de energia. Estes sistemas são nocivos para o produto.



1.6 Segurança de funcionamento

- Não usar solventes químicos no produto. Estes materiais implicam um risco de explosão.
- No caso de uma falha do produto, desligar e não operar com o mesmo até que seja reparado pela assistência autorizada. Existe risco de choque elétrico!

- Não colocar uma fonte de chama (por ex. velas, cigarros, etc.) sobre o produto ou próximo do mesmo.
- Não entrar dentro do produto. Risco de queda e de lesões!
- Não provocar danos nas tubagens do sistema de refrigeração quando usar ferramentas afiadas e de perfuração. O refrigerante que é pulverizado no caso de perfuração das tubagens de gás, as extensões das tubagens ou os revestimentos da superfície superior e pode provocar irritação da pele e lesões nos olhos.
- Não colocar e nem operar com aparelhos elétricos dentro dos frigoríficos/ congelador exceto se recomendado pelo fabricante.
- Não prender qualquer parte das suas mãos ou corpo em alguma das partes móveis dentro do produto. Ter cuidado para evitar prender os seus dedos entre o frigorífico e a porta respetiva. Ter cuidado quando estiver a abrir ou a fechar a porta se estiver crianças por perto.
- Não colocar gelados, cubos de gelo ou alimentos congelados na boca assim que os retirar do congelador. Risco de queimadura pelo frio!
- Não tocar nas paredes interiores, nas peças metálicas do congelador ou nos alimentos mantidos dentro do congelador com as mãos molhadas. Risco de queimadura pelo frio!
- Não colocar latas e garrafas de refrigerante que contenham líquidos que possam congelar no compartimento do congelador. As garrafas ou as latas podem explodir. Risco de lesões e de danos no material!
- Não usar ou colocar quaisquer substâncias sensíveis à temperatura tais como pulverizadores inflamáveis, objetos inflamáveis, gelo seco, medicamentos ou produtos químicos próximo ou dentro do frigorífico. Risco de incêndio e explosão!
- Não guardar dentro do produto substâncias explosivas como latas de spray com materiais inflamáveis.

- Não colocar latas contendo líquidos sobre o produto. Os salpicos de água sobre uma peça elétrica podem provocar risco de um choque elétrico ou um incêndio.
- Este produto não se destina ao armazenamento e refrigeração de medicamentos, plasma de sangue, preparações laboratoriais ou materiais similares e produtos que estejam sujeitos à Diretiva de Produtos Médicos.
- Se o produto for usado fora do fim a que se destina, isso pode provocar ou deteriorar os produtos mantidos no interior.
- Se o seu frigorífico estiver equipado com luz azul, não olhar para esta luz com dispositivos óticos. Não olhar diretamente para a luz LED UV durante um longo período de tempo. Os raios ultravioleta podem provocar cansaço ocular.
- Não encher o produto com mais alimentos do que o previsto na respetiva capacidade. Podem ocorrer lesões ou danos se o conteúdo do frigorífico cair quando a porta for aberta. Podem ocorrer problemas similares quando um objeto é colocado sobre o produto.
- Assegurar que removeu qualquer gelo ou água que possa ter caído no chão para evitar lesões.
- Mudar as localizações das prateleiras/prateleiras de garrafas na porta do seu frigorífico somente enquanto as prateleiras estiverem vazias. Perigo de lesões!
- Não colocar objetos que possam cair/tombar sobre o produto. Estes objetos podem cair quando estiver a abrir ou a fechar a porta e provocar lesões e/ou danos no material.
- Não pressionar ou exercer pressão excessiva nas superfícies de vidro. O vidro partido pode provocar lesões e/ou danos materiais.
- O sistema de refrigeração no seu produto contém refrigerante R600a. O tipo de refrigerante usado no produto é especificado na etiqueta do tipo. O gás é inflamável. Portanto, deve ter o cuidado de não danificar o sistema de

refrigeração e as tubagens quando estiver a manusear o produto. No caso de danos nas tubagens;

1. Não tocar o produto ou o cabo de alimentação.
2. Manter o produto afastado de fontes potenciais de incêndio que possam provocar a ignição do produto.
3. Ventilar o espaço onde o produto é colocado. Não usar uma ventoinha.
4. Contactar o serviço autorizado.
5. Se o produto estiver danificado e observar uma fuga de gás, deve manter-se afastado do gás. O gás pode provocar queimadura de frio se entrar em contacto com a pele.



1.7 Segurança de armazenamento dos alimentos

Deve prestar atenção às seguintes advertências para evitar que os alimentos se estraguem:

- Deixar as portas abertas durante um longo período de tempo pode provocar uma subida da temperatura dentro do produto.

- Limpar regularmente os sistemas de escoamento acessíveis que estão em contacto com os alimentos.
- Limpar os reservatórios de água que não forem usados durante 48 horas e os sistemas principais de alimentação de água que não forem usados durante mais de 5 dias.
- Armazenar a carne crua e o peixe nos compartimentos apropriados dentro do produto. De modo a que não pingue ou entre em contacto com os outros alimentos.
- Os compartimentos do congelador de duas estrelas são usados para armazenar alimentos pré-recheados, fazer e armazenar gelo e gelado.
- Os compartimentos de uma, duas e três estrelas não são apropriados para congelar alimentos frescos.
- Se o produto de refrigeração tiver sido deixado vazio durante um longo período de tempo, desligar o produto, descongelar, limpar e secar o produto de modo a proteger a estrutura do mesmo.



1.8 Segurança da manutenção e limpeza

- Não puxar pelo manípulo da porta se pretender deslocar o produto para efeitos de limpeza. O manípulo pode provocar lesões se for puxado com demasiada força.
- Não limpar o produto pulverizando ou despejando água sobre o produto e dentro do produto. Risco de choque elétrico e incêndio.
- Quando limpar o produto, não usar ferramentas afiadas e abrasivas ou soluções de limpeza doméstica, detergente, gás, gasolina, diluente, álcool, verniz e substâncias similares. Usar apenas soluções de limpeza e de manutenção que não sejam nocivas para os alimentos que estão dentro do produto.
- Nunca usar vapor ou materiais de limpeza a vapor para limpar o produto e descongelar o gelo dentro do mesmo. O vapor entra em contacto com as áreas condutoras no seu frigorífico e provoca curto-circuito ou choque elétrico.
- Deve ter cuidado para manter água afastada dos circuitos eletrónicos ou da iluminação do produto.
- Usar um pano limpo e seco para limpar o pó ou materiais estranhos nos terminais ou nas fichas. Não usar um pano molhado ou húmido quando estiver a limpar a ficha. Caso contrário, pode ocorrer risco de incêndio ou de choque elétrico.

2 Instruções ambientais

2.1 Em conformidade com a Diretiva REEE e Eliminação de Resíduos:



Este produto está em conformidade com a Diretiva UE REEE (2012/19/UE). Este produto possui um símbolo de

classificação para resíduos de equipamento elétrico e eletrónico (REEE).

Este símbolo indica que este produto não deve ser eliminado com outros resíduos domésticos no fim da vida útil. O dispositivo usado deve ser entregue num ponto de recolha oficial para reciclagem de dispositivos elétricos e eletrónicos. Para encontrar estes sistemas de recolha deve contactar as autoridades locais ou o revendedor onde o produto foi adquirido.

Cada família desempenha um papel importante na recuperação e reciclagem de equipamentos usados. A eliminação adequada de aparelhos usados ajuda a evitar possíveis consequências negativas para o meio ambiente e a saúde humana.

Em conformidade com a Diretiva RSP

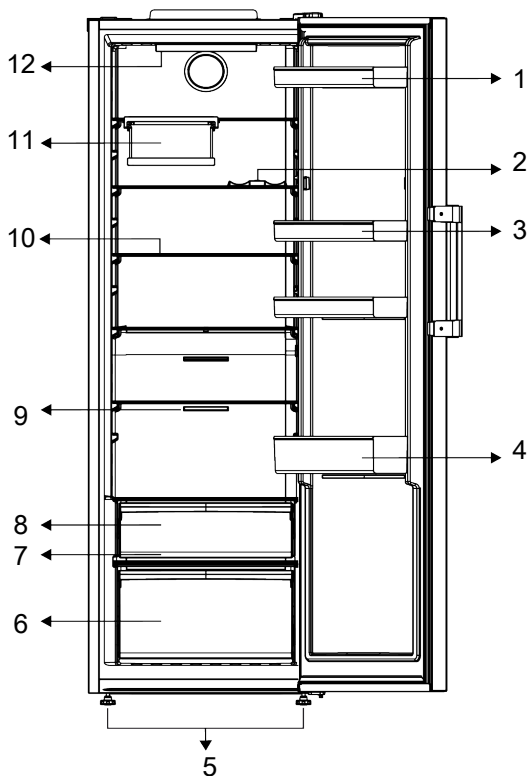
O produto que comprou cumpre com a Diretiva RoHS UE (2011/65/UE). Não contém materiais nocivos e proibidos especificados na Diretiva.



Informação da embalagem

Os materiais de embalagem do produto são fabricados com materiais recicláveis de acordo com os nossos Regulamentos Ambientais Nacionais. Não eliminar os materiais de embalagem, em conjunto com os resíduos domésticos ou outros. Colocá-los nos pontos de recolha de material de embalagem designados pelas autoridades locais.

3 O seu Frigorífico



1 Suporte para ovos

3 Prateleiras ajustáveis

5 Pés frontais ajustáveis

7 * Everfresh

9 Ventilador

11 * Prateleira dobrável para vinhos

2 * Prateleira para garrafas

4 Prateleiras da porta ajustáveis

6 Gaveta para frescos

8 * Compartimento de armazenamento a frio

10 Prateleiras ajustáveis

12 * Lâmpada de iluminação

***Opcional:** As imagens neste manual do utilizador são esquemáticas e podem não coincidir com o seu produto. Se o seu produto não incluir peças relevantes, a informação diz respeito a outros modelos.

4 Instalação



Ler primeiro a secção “Instruções de segurança”!

4.1 Lugar correto para a instalação

Contactar a Assistência Autorizada para a instalação do produto. Para preparar o produto para a instalação, consultar a informação no manual do utilizador e assegurar que as ligações elétricas e da água estão conforme é exigido. Se não, contactar um electricista e um canalizador para fazer as adequações necessárias.



ADVERTÊNCIA:

O fabricante não assume qualquer responsabilidade por quaisquer danos causados por trabalho realizado por pessoas não autorizadas.



ADVERTÊNCIA:

O cabo de alimentação do produto deve ser desligado durante a instalação. Não o fazer pode resultar em morte ou lesões graves!



ADVERTÊNCIA:

Se o vão da porta for muito estreito para o produto passar, retirar a porta e voltar o produto de lado; se isso não resultar, contactar a assistência autorizada.

- Colocar o produto numa superfície plana para evitar vibração.
- Colocar o produto afastado pelo menos 30 cm de aquecedor, fogão e fontes de calor similares e pelo menos a 5 cm de fornos elétricos.
- Não expor o produto a luz solar direta ou manter o mesmo em ambientes húmidos.
- Este produto exige circulação de ar adequada para funcionar eficientemente. Se o produto for colocado num nicho, devem ser deixados pelo menos 5 cm de espaço entre o produto e o teto, as paredes traseiras e laterais.

- Verificar se o componente de proteção de espaço da parede traseira está presente na sua localização (se fornecido com o produto).
- Se o componente não estiver disponível, ou se se perder ou cair, posicionar o produto de forma a deixar pelo menos 5 cm de espaço entre o produto e as paredes da divisão. O espaço na parte traseira é importante para o funcionamento eficiente do produto.

4.2 Ligação elétrica



Não usar extensões ou tomadas múltiplas na ligação elétrica.



Cabo de alimentação danificado deve ser substituído pela assistência autorizada.



Ao colocar dois frigoríficos em posição adjacente, deixe pelo menos 4 cm de distância entre as duas unidades.

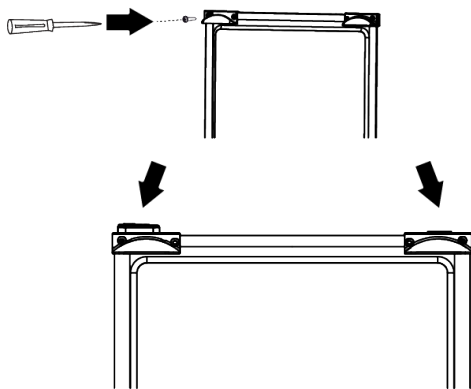
- A nossa empresa não assumirá responsabilidade por quaisquer danos devido à utilização sem ligação da alimentação elétrica e à terra em conformidade com os regulamentos nacionais.
- A ficha do cabo de alimentação deve ser facilmente acessível após a instalação.
- Não usar fichas múltiplas com ou sem cabo de extensão entre a tomada de parede e o frigorífico.

4.3 Fixar as cunhas de plástico

Usar as cunhas de plástico fornecidas com o produto para manter o espaço suficiente para a circulação do ar entre o produto e a parede.

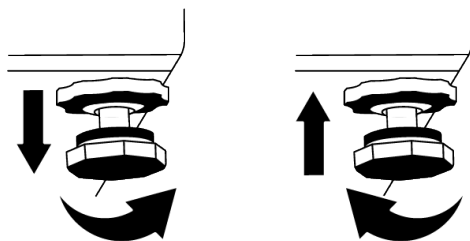
1. Para fixar as cunhas, retirar os parafusos do produto e usar os parafusos fornecidos com as cunhas.

2. Fixar 2 cunhas de plástico na tampa de ventilação, conforme mostrado na figura.



4.4 Ajustar os pés

Se o produto não estiver em posição equilibrada, ajustar os pés frontais ajustáveis rodando-os para a direita ou esquerda.



4.5 Inverter o lado de abertura da porta

O lado de abertura da porta do seu frigorífico pode ser invertido de acordo com o local onde o vai colocar. Quando isto é necessário, deve definitivamente contactar o Serviço Autorizado mais próximo.

4.6 Advertência de superfície quente

As paredes laterais do produto encontram-se equipadas com tubos de refrigeração para melhorar o sistema de arrefecimento. O fluido de alta pressão pode fluir através destas superfícies e provocar superfícies quentes nas paredes laterais. Isto é normal e não exige assistência. Deve ter cuidado quando contactar estas zonas.

5 Preparação



Ler primeiro a secção “Instruções de segurança”!

5.1 O que fazer para poupar energia



Ligar o produto a sistemas eletrónicos de poupança de energia é prejudicial, pois pode danificar o produto.

- Este aparelho de refrigeração não é destinado a ser usado como aparelho de encastrar.
- Não manter as portas do frigorífico abertas durante longos períodos.

- Não colocar alimentos ou bebidas quentes no frigorífico.
- Não encher demasiado o frigorífico; bloquear o fluxo de ar interior reduzirá a capacidade de arrefecimento.
- De modo a carregar a quantidade máxima de alimentos no compartimento do congelador do seu frigorífico, as gavetas superiores devem ser retiradas e os alimentos devem ser colocados nas prateleiras de vidro/metálicas. A informação do volume líquido e do consumo de energia declarada na etiqueta energética do seu frigorífico foi testada retirando as gavetas superiores no

departamento do frigorífico e no recipiente para o gelo, que é facilmente retirado manualmente.

- É fortemente recomendado usar a gaveta por baixo quando estiver a armazenar alimentos.
- Dependendo das características do produto; descongelar alimentos congelados no compartimento de refrigeração vai garantir poupança de energia e preservar a qualidade dos alimentos.
- Assegurar que os alimentos não ficam em contacto com o sensor de temperatura do compartimento de refrigeração descrito abaixo.
- Os alimentos devem ser armazenados nas gavetas do compartimento de refrigeração, de forma a garantir a poupança de energia e proteger os alimentos em melhores condições.
- As embalagens de alimentos não devem estar em contacto direto com o sensor de temperatura localizado no compartimento do congelador.
- Se estiverem em contacto com o sensor, o consumo de energia do aparelho pode aumentar.

5.2 Primeira utilização

Antes de utilizar o seu frigorífico, assegurar que os preparativos necessários são feitos de acordo com as instruções em "Instruções de segurança e meio ambiente" e as secções da "Instalação".

- Manter o produto a funcionar sem colocar quaisquer alimentos durante 6 horas e não abrir a porta, a menos que seja absolutamente necessário.
- A alteração da temperatura provocada pela abertura e fecho da porta enquanto estiver a usar o produto pode normalmente levar à formação de

condensação nas prateleiras da porta/interiores e nos utensílios de vidro colocados no produto.



Será ouvido um som quando o compressor for acionado. É normal para o produto fazer ruído mesmo de o compressor não estiver a funcionar, dado poder existir fluído e gás comprimido no sistema de refrigeração.



É normal que as arestas da frente do frigorífico fiquem quentes. Estas áreas são concebidas para aquecer para impedir a condensação.



Em alguns modelos, o painel indicador desliga automaticamente 1 minuto depois de a porta fechar. Será reativado quando a porta for aberta ou qualquer botão for premido.

5.3 Classe climática e definições

Consultar a Classe Climática na placa de classificação do seu aparelho. Uma das informações seguintes é aplicável ao seu aparelho de acordo com a Classe Climática.

- **SN:** Clima temperado longa duração: Este dispositivo foi concebido para usado a temperatura ambiente entre 10 °C e 32°C.
- **N:** Clima temperado: Este dispositivo foi concebido para ser usado a temperatura ambiente entre 16 °C e 32°C.
- **ST:** Clima subtropical: Este dispositivo foi concebido para usado a temperatura ambiente entre 16 °C e 38°C.
- **T:** Clima tropical: Este dispositivo foi concebido para usado a temperatura ambiente entre 16 °C e 43°C.

6 Funcionar com o produto



Ler primeiro a secção "Instruções de segurança"!

- Este produto não é apropriado para congelar alimentos.

- Não usar nenhuma ferramenta mecânica ou qualquer outra ferramenta diferente das recomendações do fabricante para acelerar a operação de descongelamento.
- Não usar peças do frigorífico, tais como a porta ou gavetas, como apoio ou degrau. Isto pode fazer com que o produto tombe ou que os componentes fiquem danificados.
- O produto deve ser usado apenas para armazenar alimentos.
- Fechar a válvula de água se for ficar longe de casa (por ex., nas férias) e não for usar o Icematic ou o dispensador de água durante um longo período de tempo. Caso contrário, podem ocorrer fugas de água.

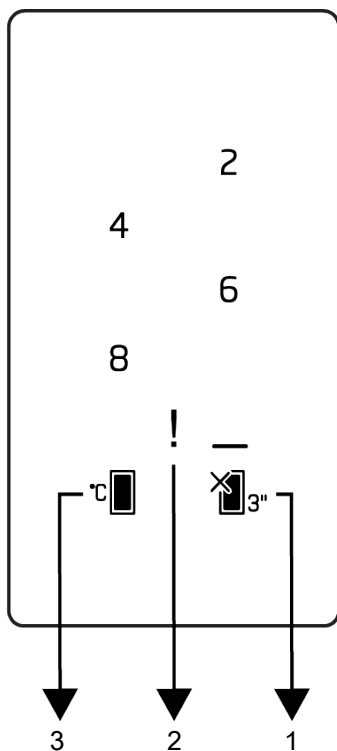
Pausar o programa

- Se não for utilizar o produto durante um longo período de tempo, deve desligar o mesmo da tomada.
- Remover os alimentos para evitar odores.
- Aguardar que o gelo derreta, limpar o interior e deixar que o mesmo seque, deixar as portas abertas para evitar danos no plástico da estrutura interior.

7 Uso do seu aparelho

7.1 Painel de controlo de produto

PT



- 1 Função do compartimento de refrigeração DESLIGADO (Férias)
- 2 Tecla de definição de temperatura do compartimento de refrigeração

2 Indicador de avaria



Ler primeiro a secção "Instruções de segurança".

As funções sonoras e visuais do painel indicador ajudarão a usar o frigorífico.

***Opcional:** As imagens neste manual do utilizador são esquemáticas e podem não coincidir com o seu produto. Se o seu produto não incluir peças relevantes, a informação diz respeito a outros modelos.

1. Tecla de função desligar compartimento de refrigeração (Férias)



Premir a tecla durante 3 segundos para ativar a função férias. O modo férias é ativado e o LED na tecla acende-se. O compartimento de refrigeração não executa a função de refrigeração. Não deve manter os alimentos no compartimento de refrigeração quando esta função for ativada.

Premir e manter premida a tecla novamente durante 3 segundos para cancelar esta função.

2. Indicador de avaria!

Este indicador deve estar ativo quando o seu frigorífico não puder realizar a refrigeração adequada no caso de algum erro no sensor. Pode ser exibido um ponto de exclamação quando colocar alimentos quentes no compartimento congelador ou mantiver a porta aberta durante um longo período de tempo. Isso não é uma avaria, este aviso deve ser removido quando o alimento for arrefecido ou quando qualquer tecla for premida.

3. Tecla de definição de temperatura do compartimento de refrigeração °C

Permite definição de temperatura para o compartimento de refrigeração. Premir a tecla irá ativar a temperatura do compartimento de refrigeração para ser definido em 8, 6, 4, 2 °C.

7.2 Tecnologias da gaveta para frescos

Luz azul

as frutas e vegetais armazenados nos compartimentos que são iluminados com a luz azul continuam sua fotossíntese por meio do efeito do comprimento de onda da luz azul e, assim, preservam seu conteúdo vitamínico.

HarvestFresh

As frutas e os vegetais armazenados em compartimentos iluminados com a tecnologia HarvestFresh preservam as suas vitaminas por mais tempo, graças aos ciclos de luz azul, verde, vermelha e escura, que simulam um ciclo diurno.

Quando a porta do seu frigorífico for aberta durante o período escuro da tecnologia HarvestFresh o frigorífico deve sentir isso automaticamente e iluminar a gaveta com uma das luzes azul, verde ou vermelha, respetivamente, para sua

conveniência. Depois de fechar a porta do frigorífico, o período escuro continuará, representando a noite num ciclo diurno.

7.3 Zona de armazenamento de produtos láteos frios

Gaveta de armazenamento a frio

A gaveta de armazenamento a frio pode atingir temperaturas mais baixas no compartimento mais frio. Usar esta gaveta para produtos de charcutaria (salame, salsichas, etc.) e produtos láteos que exigem condições de armazenamento mais frias ou para carne, frango ou peixe a ser consumido rapidamente. Não é adequado armazenar frutas e vegetais nesta gaveta.

7.4 Inverter o lado de abertura da porta

O lado de abertura da porta do seu frigorífico pode ser invertido de acordo com o local onde o vai colocar. Quando isto é necessário, deve definitivamente contactar o Serviço Autorizado mais próximo.

7.5 Alerta de porta aberta

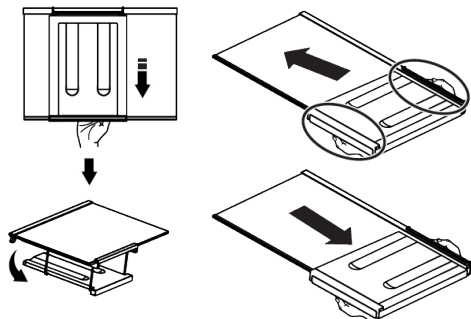
Um alerta sonoro será ouvido se a porta do produto permanecer aberta durante 1,5 minuto. O alerta sonoro parará quando a porta for fechada ou premir qualquer botão no visor (se disponível).

7.6 Prateleira dobrável para vinhos

Permite ao utilizador armazenar garrafas de vinho se necessário. Para usar a secção da prateleira, segurar na parte plástica e puxar suavemente a mesma para baixo. Pode agora usar a prateleira dobrável de vinhos.



Recomenda-se armazenar no máximo de 2 garrafas de vinho na prateleira dobrável para vinhos.



Para agrupar a prateleira para vinhos, em primeiro lugar, retirar a prateleira de vidro do frigorífico. Colocar a mesma na prateleira de vidro puxando a parte de plástico através das guias frontal e traseira conforme mostrado na imagem. O produto estará pronto a usar com a prateleira dobrável para vinhos.

Para retirar a prateleira dobrável para vinhos, em primeiro lugar, retirar a prateleira de vidro do frigorífico. Depois segurar a parte de plástico e puxar a mesma em qualquer direção. Pode agora usar o produto sem a prateleira dobrável para vinhos quando for necessário.

7.7 Substituição da lâmpada Iluminação

Contactar o Serviço Autorizado quando a lâmpada/LED usada para iluminar o seu frigorífico for para ser substituída.

8 Manutenção e limpeza



ADVERTÊNCIA:

Ler primeiro a secção “Instruções de segurança”.



ADVERTÊNCIA:

Desligar o frigorífico da ficha antes de o limpar.

- Não usar ferramentas afiadas ou abrasivas para limpar o produto. Não usar materiais tais como produtos de limpeza doméstica, detergentes, sabão, gás, gasolina, álcool, cera, etc.

A(s) lâmpada(s) usada(s) neste aparelho não pode(m) ser usada(s) para iluminação doméstica. O uso pretendido desta lâmpada é ajudar o utilizador a colocar alimentos no frigorífico/congelador com segurança e conforto.

7.8 AeroFlow

É um sistema de distribuição de ar que fornece uma distribuição homogénea da temperatura. Com a circulação de ar, a distribuição homogénea da temperatura é assegurada no compartimento de armazenamento de alimentos frescos e a flutuação da temperatura é mantida em níveis reduzidos. Não é feita a disseminação de ar direto sobre os alimentos e isso ajuda a reduzir a perda de humidade. Isto preserva a frescura dos alimentos armazenados no compartimento de alimentos frescos do frigorífico. Deste modo, os seus alimentos são armazenados a temperaturas mais estáveis e o contacto com o ar é reduzido. A secagem e a contração dos alimentos ao perderem a humidade é evitada e a frescura é permitida durante um período de tempo mais longo.

- O pó deve ser retirado da grade de ventilação na parte traseira do produto pelo menos uma vez por ano (sem abrir a tampa). Limpar o produto com um pano seco.
- Ter cuidado para manter a tampa da lâmpada e outras peças elétricas afastadas da água.
- Limpar a porta com um pano macio e humedecido. Retirar todo o conteúdo para remover as prateleiras da porta e da estrutura. Remover as prateleiras da porta levantando-as para cima. Limpar e secar

as prateleiras e, em seguida, voltar a colocá-las no lugar deslizando de cima para baixo.

- Não usar lixívia ou produtos de limpeza na superfície exterior e nas partes revestidas a cromo do produto. A lixívia dá origem a corrosão nas referidas superfícies metálicas.
- Não usar ferramentas afiadas e abrasivas, sabão, materiais de limpeza doméstica, detergentes, gás, gasolina, verniz e substâncias semelhantes para evitar a deformação da peça de plástico e remoção de impressões na peça. Usar água morna e um pano macio para limpar e secar.
- Nos produtos sem a funcionalidade No-Frost, podem ocorrer gotas de água e gelo com a espessura de um dedo na parede traseira do compartimento congelador. Não limpar e nunca aplicar óleos ou soluções similares.
- Usar um pano em microfibra ligeiramente humedecido para limpar a superfície exterior do produto. Esponjas e outros tipos de panos de limpeza podem causar riscos.
- Para limpar todos os componentes amovíveis durante a limpeza da superfície interior do produto, lavar esses componentes com uma solução neutra composta por sabão, água e carbonato. Lavar e secar em profundidade. Evitar o contacto da água com componentes de iluminação e o painel de controlo.

9 Resolução de problemas

Verificar esta lista antes de contactar o serviço. Ao fazê-lo poupará tempo e dinheiro. Esta lista inclui queixas frequentes que não são relacionadas com mão-de-obra ou materiais. Determinadas funções aqui referidas podem não ser aplicáveis ao seu produto.



CUIDADO:

Não usar vinagre, álcool isopropílico ou outras soluções de limpeza à base de álcool em qualquer das superfícies interiores.

Superfícies exteriores em aço inoxidável

Usar um agente de limpeza não abrasivo para aço inoxidável e aplicar com um pano macio que não solte algodão. Para polir, limpar suavemente a superfície com um pano em microfibra humedecido com água e usar uma camurça para polir. Deve seguir sempre os veios do aço inoxidável.

Evitar odores

O produto é fabricado livre de quaisquer materiais odoríferos. No entanto, manter os alimentos em secções inadequadas e a limpeza inadequada das superfícies interiores pode causar odores.

- Para evitar isto, limpar o interior com água carbonatada a cada 15 dias.
- Manter os alimentos em recipientes fechados, dado poderem surgir microorganismos a partir dos alimentos em recipientes não fechados que provocarão maus odores.
- Não manter alimentos expirados e estragados no frigorífico.

Proteger as superfícies de plástico

Óleo derramado sobre superfícies de plástico pode danificar a superfície e deve ser limpo imediatamente com água morna.

O frigorífico não está a funcionar.

- A ficha de alimentação não está totalmente encaixada. >>> Ligar a mesma para a encaixar totalmente na tomada.
- O fusível ligado à tomada para alimentar o produto ou o fusível principal rebentou. >>> Verificar o fusível.

A condensação na parede lateral do compartimento de refrigeração (ZONA MÚLTIPLA, CONTROLO FRIO e ZONA FLEXI)

- A porta é aberta com demasiada frequência. >>> Ter o cuidado para não abrir a porta do produto com demasiada frequência.
- O ambiente é demasiado húmido. >>> Não instalar o produto em ambientes húmidos.
- Os alimentos que contêm líquidos são mantidos em recipientes não fechados. >>> Manter os alimentos que contêm líquidos em recipientes fechados.
- A porta do produto foi deixada aberta. >>> Não manter a porta do produto aberta durante longos períodos.
- O termostato está definido para uma temperatura muito fria. >>> Definir o termostato para uma temperatura apropriada.

O compressor não está a funcionar.

- No caso de uma falha repentina de energia ou de retirar a ficha de alimentação e de a voltar a colocar, a pressão do gás no sistema de refrigeração do produto não está equilibrada, o que faz acionar a proteção térmica do compressor. O produto irá arrancar depois de aproximadamente 6 minutos. Se o produto não arrancar após este período de tempo, deve contactar o serviço.
- A descongelação está ativa. >>> Isto é normal para um produto com descongelação totalmente automática. A descongelação é realizada periodicamente.
- O produto não está ligado. >>> Assegurar que o cabo de alimentação está ligado.
- A definição da temperatura está incorreta. >>> Selecionar a definição apropriada da temperatura.
- A alimentação está desligada. >>> O produto irá continuar a operar normalmente após a alimentação ser reposta.

O ruído de funcionamento do frigorífico está a aumentar quando este está a ser utilizado.

- O desempenho de funcionamento do produto pode variar dependendo das variações da temperatura ambiente. Isto é normal e não é um mau funcionamento.

O frigorífico funciona com demasiada frequência ou durante longos períodos.

- O novo produto pode ser maior que o anterior. Os produtos maiores irão funcionar por períodos mais longos.
- A temperatura ambiente pode estar alta. >>> O produto funcionará normalmente por longos períodos em temperatura ambiente mais elevada.
- O produto pode ter sido ligado recentemente ou foi colocado no seu interior um produto alimentar novo. >>> O produto levará mais tempo a atingir a temperatura definida quando recentemente ligado ou foi colocado no seu interior um novo produto alimentar. Isto é normal.
- Podem ter sido colocados dentro do produto grandes quantidades de alimentos quentes. >>> Não colocar alimentos quentes dentro do produto.
- As portas foram abertas com frequência ou mantidas abertas durante longos períodos. >>> O ar quente que se desloca dentro do produto fará com que o produto funcione durante mais tempo. Não abrir as portas com demasiada frequência.
- A porta do congelador ou do refrigerador podem estar entreabertas. >>> Verificar se as portas estão totalmente fechadas.
- O produto pode estar definido para uma temperatura demasiado baixa. >>> Definir a temperatura para um valor mais alto e aguardar que o produto atinja a temperatura ajustada.
- A anilha do refrigerador ou do congelador pode estar suja, gasta, partida ou incorretamente encaixada. >>> Limpar ou substituir a junta. A anilha da porta danificada/rasgada fará com que o produto funcione durante períodos mais longos para preservar a temperatura atual.

A temperatura do congelador é muito baixa, mas a temperatura do refrigerador é adequada.

- A temperatura do compartimento do congelador está definida para um valor muito baixo. >>> Definir a temperatura do compartimento do congelador para um valor mais alto e verificar novamente.

A temperatura do compartimento de refrigeração é muito baixa, mas a temperatura do congelador é adequada.

- A temperatura do compartimento de refrigeração está definida para um valor muito baixo. >>> Definir a temperatura do compartimento de refrigeração para um valor mais alto e verificar novamente.

Os produtos alimentares mantidos nas gavetas do compartimento do refrigerador estão congelados.

- A temperatura do compartimento de refrigeração está definida para um valor muito baixo. >>> Definir a temperatura do compartimento de refrigeração para um valor mais alto e verificar novamente.

A temperatura no compartimento de refrigeração ou no congelador é muito alta.

- A temperatura do compartimento de refrigeração está definida para um valor muito alto. >>> A definição da temperatura do compartimento de refrigeração tem um efeito na temperatura do compartimento do congelador. Aguardar até que a temperatura das partes relevantes atinjam o nível suficiente alterando a temperatura do compartimento de refrigeração ou a temperatura do congelador.
- As portas foram abertas com frequência ou mantidas abertas durante longos períodos. >>> Não abrir a porta com demasiada frequência.
- A porta pode estar entreaberta. >>> Fechar totalmente a porta.
- O produto pode ter sido ligado recentemente ou foi colocado no seu interior um produto alimentar novo. >>>

Isto é normal. O produto levará mais tempo a atingir a temperatura definida quando recentemente ligado ou foi colocado no seu interior um novo produto alimentar.

- Podem ter sido colocados dentro do produto grandes quantidades de alimentos quentes. >>> Não colocar alimentos quentes dentro do produto.

Vibrar ou ruído.

- A superfície não está plana ou durável >>> Se o produto vibrar quando deslocado lentamente, ajustar os suportes para equilibrar o produto. Assegurar também que o pavimento é suficientemente durável para suportar o produto.
- Quaisquer itens colocados sobre o produto podem provocar ruído. >>> Remover quaisquer itens colocados em cima do produto.
- O produto a fazer ruído de líquido a correr, a pulverizar, etc.
- Os princípios de funcionamento do produto envolvem fluxos de líquido e de gás. >>> Isto é normal e não é um mau funcionamento.

Há um som de vento a soprar vindo do produto.

- O produto usa um ventilador para o processo de refrigeração. Isto é normal e não é um mau funcionamento.

Há condensação nas paredes interiores do produto.

- O tempo húmido ou quente irá aumentar a formação de gelo ou de condensação. Isto é normal e não é um mau funcionamento.
- As portas foram abertas com frequência ou mantidas abertas durante longos períodos. >>> Não abrir as portas com demasiada frequência; se aberta, fechar a porta.
- A porta pode estar entreaberta. >>> Fechar totalmente a porta.

Há condensação no exterior do produto ou entre as portas.

- O meio ambiente pode estar húmido, o que é bastante normal no tempo húmido. >>> A condensação irá desaparecer quando a humidade é reduzida.

O interior tem mau cheiro.

- O produto não é limpo regularmente. >>> Limpar regularmente o interior usando uma esponja, água quente e água gaseificada.
- Determinados recipientes e materiais de embalagem podem provocar odores. >>> Usar recipientes e materiais de embalagem isentos de odor.
- Os alimentos foram colocados em recipientes não fechados. >>> Manter os alimentos em recipientes fechados. Podem espalhar-se microorganismos de produtos alimentares não fechados e provocarem maus odores.
- Remover do produto todos os alimentos fora de prazo ou que se encontrem estragados.

A porta não está a fechar.

- As embalagens dos alimentos podem estar a bloquear a porta. >>> Colocar noutra posição os itens que estão a bloquear as portas.

- O produto não está totalmente na posição vertical no pavimento. >>> Ajustar os suportes para equilibrar o produto.
- A superfície não está plana ou durável >>> Assegurar que a superfície está plana e é suficientemente durável para suportar o produto.

A gaveta para frescos está encravada.

- Os produtos alimentares podem estar em contacto com a secção superior da gaveta. >>> Reorganizar os produtos alimentares na gaveta.

Temperatura na superfície do produto.

- Entre as duas portas, nos painéis laterais e na zona da grelha traseira pode ser observada uma temperatura elevada enquanto o produto estiver em funcionamento. Isto é normal e não exige assistência.

O ventilador continua a funcionar quando a porta é aberta.

- O ventilador pode continuar a funcionar quando a porta do congelador é aberta.



ADVERTÊNCIA: Se o problema persistir após ter seguido as instruções nesta secção, contactar o seu vendedor ou um Serviço Autorizado. Não tentar reparar o produto. Isto é normal.

ISENÇÃO DE RESPONSABILIDADE /ADVERTÊNCIA

Algumas falhas (simples) podem ser tratadas de forma adequada pelo utilizador final sem que surja qualquer problema de segurança ou de utilização não segura, desde que as mesmas sejam solucionadas dentro dos limites e de acordo com as seguintes instruções (consultar a secção “Reparação Autónoma”.

Portanto, exceto se contrariamente autorizado na secção “Reparação Autónoma” abaixo, as reparações devem ser realizadas por profissionais reparadores registados de modo a evitar problemas de segurança. Um reparador profissional registado é um reparador profissional a

quem o fabricante concedeu acesso às instruções e à lista de peças de substituição deste produto de acordo com os métodos descritos na lei nos termos da Diretiva 2009/125/CE.

No entanto, apenas o agente de reparação (ou seja, os reparadores profissionais autorizados) com quem pode entrar em contacto através do número de telefone fornecido no manual do utilizador/cartão da garantia ou através do seu revendedor autorizado que pode fornecer serviços de acordo com os termos de garantia. Portanto, deve estar ciente de que as reparações

feitas por reparadores profissionais (que não estejam autorizados pela)Beko anulam a garantia.

Reparação Autónoma

A reparação autónoma pode ser feita pelo utilizador final no que se refere às seguintes peças de substituição: pegas da porta, dobradiça da porta, tabuleiros, cestos e vedantes da porta (também está disponível uma lista atualizada support.beko.com desde 1 de março de 2021).

Além disso, para garantir a segurança do produto e evitar o risco de lesões graves, a reparação autónoma referida deve ser feita seguindo as instruções do manual do utilizador para reparação autónoma ou as que estão disponíveis em support.beko.com. Para sua segurança, deve desligar o produto antes de tentar fazer qualquer reparação autónoma.

As reparações e tentativas de reparação feitas pelos utilizadores finais de peças não incluídas na referida lista e/ou não seguindo as instruções nos manuais do utilizador relativamente à mesma ou que se encontram disponíveis em support.beko.com, podem levantar questões de segurança não atribuíveis a Beko, e anularão a garantia do produto. Portanto, é altamente recomendável que os utilizadores finais evitem tentar realizar reparações que não se enquadrem na lista mencionada de peças de substituição, e nesse caso deverão contactar com reparadores profissionais autorizados ou reparadores profissionais registados. Por outro lado, as referidas tentativas por parte dos utilizadores finais podem provocar problemas de segurança e danificar o produto e, subsequentemente, provocar incêndio, inundação, eletrocussão e ferimentos graves.

A título de exemplo, mas não limitado a, as seguintes reparações devem ser realizadas por reparadores profissionais autorizados ou reparadores profissionais registados:

compressor, circuito de refrigeração, placa principal, placa do inversor, placa do visor, etc.

O fabricante/vendedor não pode ser responsabilizado em nenhuma circunstância em que os utilizadores finais não cumpram com o acima referido.

A disponibilidade de peças de substituição do frigorífico que comprou é de 10 anos.

Durante este período, as peças de substituição originais estarão disponíveis para o funcionamento correto do frigorífico. A duração mínima da garantia do frigorífico que adquiriu é de 24 meses.

Este produto está equipado uma fonte de iluminação com a classe energética "G".

A fonte de iluminação neste produto será somente substituída por um reparador profissional.

Premièrement veuillez lire ce manuel !

Cher client, chère cliente,

Veuillez lire ce manuel avant d'utiliser l'appareil.

Nous vous remercions d'avoir choisi ce Bekoproduit. Nous aimerions que vous obteniez une efficacité optimale de ce produit de haute qualité qui a été fabriqué avec une technologie de pointe. À cette fin, lisez attentivement ce manuel et toute autre documentation fournie avant d'utiliser le produit et conservez-les comme référence.

Tenez compte de toutes les informations et de tous les avertissements figurant dans le manuel d'utilisation. De cette façon, vous vous protégerez, vous et votre produit, contre les dangers qui peuvent survenir.

Conservez le manuel d'utilisation. Joignez ce guide à l'unité si vous le remettez à quelqu'un d'autre.

Les symboles suivants sont utilisés dans le manuel d'utilisation :



Il s'agit d'un danger qui peut entraîner la mort ou des blessures.



Informations importantes ou conseils utiles sur le fonctionnement.




Lisez le manuel d'utilisation.



Matériau combustible, mise en garde contre le risque d'incendie.

AVERTISSEMENT Un danger qui peut causer des dommages matériels au produit ou à son environnement

 <p>SUPPLIER'S NAME MODEL IDENTIFIER → (*)</p> <p>A A</p>	<p>Les informations sur le modèle, telles qu'elles sont enregistrées dans la base de données des produits, peuvent être obtenues en accédant au site web suivant et en recherchant l'identifiant du modèle (*) figurant sur l'étiquette énergétique.</p> <p>https://eprel.ec.europa.eu/</p>
---	---

1	Consignes de sécurité.....	84
1.1	Intention d'utilisation	84
1.2	Sécurité des enfants, des personnes vulnérables et des animaux domestiques	85
1.3	Sécurité électrique.....	85
1.4	Sécurité de manipulation	86
1.5	Sûreté des installations.....	86
1.6	Sécurité de fonctionnement.....	89
1.7	Sécurité du stockage des aliments	91
1.8	Sécurité relative à l'entretien et au nettoyage	92
2	Instructions environnementales ..	93
2.1	Conformité avec la directive DEEE et élimination des déchets	93
3	Votre réfrigérateur	94
4	Installation	94
4.1	Lieu idéal d'installation.....	94
4.2	Branchement électrique.....	95
4.3	Fixation des cales en plastique	95
4.4	Réglages des pieds avant.....	96
4.5	Inversion du côté d'ouverture de la porte	96
4.6	Attention aux surfaces chaudes....	96
5	Préparation	96
5.1	Moyens d'économiser l'énergie	96
5.2	Première utilisation.....	97
5.3	Classe climatique et définitions	97
6	Fonctionnement de l'appareil	97
7	Utilisation de votre appareil	99
7.1	Panneau de contrôle du produit....	99
7.2	Technologies Crisper	100
7.3	Zone d'entreposage frais des produits laitiers	100
7.4	Inversion du côté d'ouverture de la porte	100
7.5	Alerte de porte ouverte	100
7.6	Porte-bouteille pliable	100
7.7	Remplacement de la lampe d'éclairage.....	101
7.8	AeroFlow	101
8	Entretien et nettoyage	101
9	Dépannage.....	102

1 **Consignes de sécurité**

Cette section contient les instructions de sécurité nécessaires à la prévention des risques de dommage corporel ou de dommage matériel.

Notre entreprise ne peut être tenue pour responsable des dommages qui peuvent se produire si ces instructions ne sont pas respectées.

Les opérations d'installation et de réparation doivent être effectuées par un service agréé.

Utilisez uniquement des pièces de rechange et des accessoires d'origine.

Les pièces de rechange originales sont fournies pendant les 10 années suivant la date d'achat de l'appareil.

Évitez de réparer ou de remplacer tout composant de l'appareil sauf si cela est clairement spécifié dans le manuel d'utilisation.

Il ne faut pas effectuer de modifications sur l'appareil.

1.1 **Intention d'utilisation**

Ce produit ne convient pas à un usage commercial et ne doit pas être utilisé autrement que

pour l'usage auquel il est destiné. Ce produit est conçu pour être utilisé à l'intérieur, dans les foyers et dans des endroits similaires.

Par exemple ;

- cuisines du personnel des magasins, bureaux et autres environnements professionnels,
- les maisons de campagne,
- unités des hôtels, motels ou autres installations de repos utilisées par les clients,
- hôtels ou environnements similaires,
- services de restauration et les espaces semblables de vente en gros.

Ces appareils ne doivent pas être utilisés dans des environnements extérieurs ouverts ou clôturés tels que les bateaux, balcons ou terrasses. L'exposition de l'appareil à la pluie, à la neige, au soleil et au vent présente un risque d'incendie.

1.2 Sécurité des enfants, des personnes vulnérables et des animaux domestiques



- Cet appareil peut être utilisé par des enfants âgés d'au moins 8 ans, ainsi que par des personnes avec des capacités physiques, sensorielles ou mentales réduites ou sans expérience et connaissances, si elles sont supervisées ou ont été formées à l'utilisation sécurisée de l'appareil et comprennent les risques relatifs.
- Les enfants de 3 à 8 ans sont autorisés à mettre les aliments dans la glacière et à les enlever.
- Les produits électriques sont dangereux pour les enfants et les animaux domestiques. Les enfants et les animaux domestiques ne doivent pas jouer avec le produit, ni grimper dessus, ni y entrer.
- Le nettoyage et l'entretien des utilisateurs ne doivent pas être effectués par des enfants, sauf s'il y a une personne qui les surveille.
- Tenez les emballages hors de la portée des enfants. Risque de blessure et d'asphyxie .

Avant de vous débarrasser des appareils usagés qui ne doivent plus être utilisés :

1. Débranchez le cordon d'alimentation de la prise de courant.
 2. Coupez le cordon d'alimentation et retirez-le de l'appareil avec la prise.
 3. Ne retirez pas les étagères et les tiroirs de l'appareil pour empêcher les enfants d'y pénétrer.
 4. Démontage des portes.
 5. Stockez l'appareil de façon à éviter qu'il se renverse.
 6. Ne laissez pas les enfants jouer avec un appareil usagé.
- Ne jetez pas l'appareil en le mettant au feu. Risque d'explosion.
 - Si une serrure est disponible dans la porte de l'appareil, gardez la clé hors de la portée des enfants.



1.3 Sécurité électrique

- Il ne faut pas brancher le produit dans la prise de courant pendant les opérations d'installation, d'entretien, de nettoyage, de réparation et de transport.

- Si le câble d'alimentation est endommagé, il doit être remplacé par un service agréé uniquement pour éviter tout risque qui pourrait survenir.
- Ne placez pas le câble d'alimentation sous l'appareil ou à l'arrière de celui-ci. Ne placez aucun objet lourd sur le câble d'alimentation. Le câble d'alimentation ne doit pas être plié, écrasé et entrer en contact avec une source de chaleur.
- N'utilisez pas de rallonge, de prise multiple ou d'adaptateur pour faire fonctionner votre appareil.
- Les prises multiples mobiles ou les blocs d'alimentation portatifs peuvent surchauffer et causer un incendie. Par conséquent, aucune prise multiple ne doit se trouver derrière ou à proximité de l'appareil.
- La prise doit être facilement accessible. Si cela n'est pas possible, l'installation électrique doit être dotée d'un mécanisme conforme à la réglementation en matière d'électricité et qui déconnecte toutes

les bornes du réseau (fusible, interrupteur, commutateur principal, etc.).

- Évitez de toucher le cordon d'alimentation avec des mains humides.
- Lorsque vous débranchez l'appareil, ne tenez pas le cordon d'alimentation, mais la prise.



1.4 Sécurité de manipulation

- Cet appareil est lourd, ne le manipulez pas seul.
- Lors de la manipulation de l'appareil, évitez de le tenir par sa porte.
- Veillez à ne pas endommager le système de refroidissement et les tuyaux lorsque vous manipulez l'appareil. Évitez de faire fonctionner l'appareil si les tuyaux sont endommagés et contactez un service agréé.



1.5 Sûreté des installations

- Contactez le service agréé pour l'installation de votre réfrigérateur. Pour préparer l'installation du réfrigérateur, lisez attentivement les instructions du manuel d'utilisation et assurez-vous que les équipe-

ments électriques et d'approvisionnement d'eau sont installés convenablement. Si ce n'est pas le cas, appelez un électricien et un plombier pour faire le nécessaire pour les services publics. Le non-respect de cette consigne peut entraîner un choc électrique, un incendie, des problèmes avec le produit ou des blessures.

- Vérifiez que l'appareil n'est pas endommagé avant de l'installer. N'installez pas l'appareil lorsqu'il est endommagé.
- Placez l'appareil sur une surface plane et dure et équilibrez-le avec les pieds réglables. Sinon, le réfrigérateur risque de se renverser et provoquer des blessures.
- Installez l'appareil dans un endroit sec et ventilé. Ne laissez pas de tapis, de moquettes ou d'autres revêtements de sol similaires sous l'appareil. Ils peuvent entraîner un risque d'incendie en raison d'une ventilation inadéquate !
- N'obstruez pas ou ne couvrez pas les orifices de ventilation. Sinon, la consommation

d'énergie pourrait augmenter et votre appareil pourrait être endommagé.

- Le produit ne doit pas être connecté à des systèmes d'alimentation tels que l'alimentation solaire. Sinon, votre produit peut être endommagé en raison de changements soudains de tension !
- Plus un réfrigérateur contient de réfrigérant, plus grande doit être la pièce d'installation. Dans les très petites pièces, un mélange gaz-air inflammable peut se produire en cas de fuite de gaz dans le système de refroidissement. Au moins 1 m³ de volume est requis pour chaque 8 grammes de réfrigérant. La quantité de réfrigérant disponible dans votre appareil est indiquée sur la plaque signalétique.
- Le lieu d'installation du produit ne doit pas être exposé à la lumière directe du soleil et ne doit pas se trouver à proximité d'une source de chaleur telle qu'un poêle, un radiateur, etc. Si vous ne pouvez pas empêcher l'installation du produit à proximité d'une source de chaleur, vous devez utiliser une plaque isolante appropriée

et la distance minimale par rapport à la source de chaleur doit être conforme aux spécifications ci-dessous.

- À au moins 30 cm des sources de chaleur telles que les cuisinières, les appareils de chauffage, etc.
- Et à au moins 5 cm des fours électriques.
- Votre produit a la classe de protection I.
- Branchez le produit dans une prise avec mise à la terre conforme aux valeurs de tension, de courant et de fréquence indiquées sur la plaque signalétique. La prise de courant doit être équipée d'un fusible de 10 à 16A. Notre entreprise ne sera pas tenue responsable de tout dommage résultant de l'utilisation de l'appareil sans prise de mise à la terre ou branchement électrique conforme aux normes locales et nationales en vigueur.
- Débranchez le câble d'alimentation du réfrigérateur pendant l'installation. Dans le cas contraire, vous risquez de vous électrocuter et de vous blesser !
- Ne branchez pas l'appareil sur des prises desserrées, cassées, sales, graisseuses ou qui sont sorties de leur logement ou sur des prises présentant un risque de contact avec l'eau.
- Placez le câble d'alimentation et les flexibles (si disponibles) de l'appareil de sorte qu'ils ne puissent pas provoquer de risque de trébuchement.
- La pénétration de l'humidité dans les pièces sous tension ou dans le cordon d'alimentation peut provoquer un court-circuit. Par conséquent, n'utilisez pas l'appareil dans des environnements humides ou dans des endroits où l'eau peut éclabousser (p. ex. les garages, les buanderies, etc.). Lorsque le réfrigérateur est mouillé par l'eau, débranchez-le et contactez un service autorisé.
- Ne branchez jamais votre réfrigérateur sur des dispositifs d'économie d'énergie. Ces dispositifs peuvent être dangereux pour l'appareil



1.6 Sécurité de fonctionnement

- N'utilisez jamais de solvants chimiques sur le réfrigérateur. Ces matériaux présentent un risque d'explosion.
- En cas de panne de l'appareil, débranchez-le et ne l'utilisez pas avant sa réparation par le service autorisé. Il existe un risque d'électrocution !
- Ne placez pas une source de flamme (p. ex. des bougies, cigarettes, etc.) sur l'appareil ou à proximité de celui-ci.
- Ne montez pas sur l'appareil. Risque de chute et de blessure !
- N'endommagez pas les tuyaux du système de refroidissement avec des outils tranchants et perçants. Le réfrigérant qui s'échappe en cas de perforation des tuyaux à gaz, des tuyaux d'extension ou des revêtements de la surface supérieure peut provoquer une irritation de la peau et des liaisons oculaires.
- Ne placez pas et n'utilisez pas d'appareils électriques à l'intérieur du réfrigérateur/congélateur, sauf avis contraire du fabricant.
- Ne coinciez pas les parties de vos mains ou de votre corps sur les parties mobiles à l'intérieur de l'appareil. Faites attention à ne pas coincer vos doigts entre le réfrigérateur et sa porte. Soyez prudent lorsque vous ouvrez ou fermez la porte en présence des enfants.
- Ne mettez pas de crème glacée, de glaçons ou d'aliments congelés dans votre bouche immédiatement après les avoir sortis du congélateur. Risque de gelure !
- Ne touchez pas les parois intérieures, les parties métalliques du congélateur ou les aliments conservés dans le congélateur avec les mains mouillées. Risque de gelure !
- Ne placez pas de canettes de soda ou de bouteilles contenant des liquides pouvant être congelés dans le compartiment congélateur. Les canettes ou les bouteilles peuvent exploser. Risque de blessures et de dommages matériels !
- N'utilisez pas ou ne placez pas de matériaux sensibles à la température tels que des aérosols inflammables, des

objets inflammables, de la glace sèche ou d'autres agents chimiques à proximité du réfrigérateur. Risque d'incendie ou d'explosion !

- Ne stockez pas de matières explosives telles que des aérosols contenant des matériaux inflammables à l'intérieur de l'appareil.
- Ne placez pas de canettes contenant des liquides sur l'appareil. L'éclaboussure d'eau sur une pièce électrique peut entraîner un risque d'électrocution ou d'incendie.
- Cet appareil n'est pas destiné au stockage et au refroidissement de médicaments, de plasma sanguin, de préparations de laboratoire ou de matériaux et produits similaires qui sont soumis à la directive sur les produits médicaux.
- Si l'appareil est utilisé à d'autres fins que celles pour lesquelles il a été conçu, il peut endommager ou détériorer les produits qu'il contient.
- Si votre réfrigérateur est équipé d'un voyant lumineux bleu, ne contemplez pas le voyant lumineux avec des instruments optiques. Ne fixez pas directe-

ment la lumière LED à UV pendant une longue période, car les rayons ultraviolets peuvent entraîner la fatigue oculaire.

- Ne remplissez pas l'appareil de nourriture dépassant sa capacité. Des blessures ou des dégâts peuvent survenir au cas où le contenu du réfrigérateur tombe lorsque la porte est ouverte. Des problèmes similaires peuvent survenir lorsqu'un objet est placé sur l'appareil.
- Pour éviter tout risque de blessures, rassurez-vous que vous avez retiré toute la glace ou toute l'eau qui auraient pu se verser au sol.
- Changez l'emplacement des casiers/porte-bouteilles sur la porte de votre réfrigérateur uniquement lorsqu'ils sont vides. Risque de blessures !
- Ne placez aucun objet qui pourrait tomber ou basculer sur l'appareil. Ces objets peuvent tomber lors de l'ouverture ou de la fermeture de la porte, et causer des blessures et/ou des dégâts matériels.

- Ne frappez ni n'exercez aucune pression excessive sur les surfaces en verre. Le verre brisé peut causer des blessures et/ou des dégâts matériels.

- Le système de refroidissement de votre produit contient du réfrigérant R600a. Le type de réfrigérant utilisé dans le produit est spécifié sur la plaque signalétique. Ce gaz est inflammable. Par conséquent, veillez à ne pas endommager le système de refroidissement et les tuyaux pendant l'utilisation de l'appareil. Si les tuyaux sont endommagés :

1. Ne touchez pas l'appareil ni le câble d'alimentation,
2. Maintenez l'appareil éloigné des sources potentielles d'incendie qui pourraient causer l'incendie de l'appareil,
3. Aérez la zone où l'appareil est placé, - N'utilisez pas de ventilateur,
4. Contactez un centre de service agréé.
5. Si l'appareil est endommagé et que vous observez une fuite de gaz, éloignez-vous

du gaz. Le gaz peut causer des gelures lorsqu'il entre en contact avec votre peau.



1.7 Sécurité du stockage des aliments

FR

Veillez prêter attention aux avertissements suivants afin d'éviter la détérioration des aliments :

- Laisser les portes ouvertes pendant une longue période peut entraîner une augmentation de la température à l'intérieur du produit.
- Nettoyez régulièrement les systèmes de drainage accessibles en contact avec les aliments.
- Nettoyez les réservoirs d'eau qui n'ont pas été utilisés pendant 48 heures et les systèmes d'alimentation en eau qui n'ont pas été utilisés pendant plus de 5 jours.
- Conservez les produits de viande et de poisson crus dans des compartiments appropriés à l'intérieur de l'appareil. Ainsi, ils ne coulent pas sur les autres aliments et n'entre pas en contact avec eux.
- Les compartiments de congélation à deux étoiles permettent de conserver les ali-

ments pré-cuisinés, de préparer et de conserver la glace et la crème glacée.

- Les compartiments à une, deux et trois étoiles ne conviennent pas à la congélation des aliments frais.
- Si le produit réfrigérant est resté vide pendant une longue période, éteignez le produit, dégivrez, nettoyez et séchez le produit afin de protéger le boîtier de l'appareil.

1.8 **Sécurité relative à l'entretien et au nettoyage**

- Ne tirez pas sur la poignée de la porte si vous devez déplacer l'appareil pour le nettoyer. La poignée peut causer des blessures si vous la tirez trop fort.
- Ne nettoyez pas l'appareil en pulvérisant ou en versant de l'eau dessus et à l'intérieur. Risque de choc électrique et d'incendie.
- Lors du nettoyage de l'appareil, n'utilisez pas d'outils tranchants et abrasifs ni de pro-

duits de nettoyage ménagers, de détergents, d'essence, de diluant, d'alcool, de vernis et de substances similaires. Utilisez des produits de nettoyage et d'entretien qui ne sont pas nocifs pour les aliments uniquement à l'intérieur de l'appareil.

- N'utilisez jamais de vapeur ou de matériel de nettoyage à vapeur pour nettoyer l'appareil et faire fondre la glace qui s'y trouve. Lorsque la vapeur entre en contact avec les zones sensibles de votre réfrigérateur, elle peut provoquer un court-circuit ou un choc électrique.
- Veillez à éloigner l'eau des circuits électroniques ou de l'éclairage de l'appareil.
- Utilisez un torchon propre et sec pour essuyer la poussière ou les corps étrangers sur les extrémités des fiches. N'utilisez pas de torchon humide ou mouillé pour nettoyer la fiche. Ceci, pour éviter tout risque d'incendie ou de choc électrique.

2 Instructions environnementales

2.1 Conformité avec la directive DEEE et élimination des déchets



Cet appareil est conforme à la directive DEEE de l'Union européenne (2012/19/UE). Le produit possède un symbole de classification attribué aux déchets d'équipements électriques et électroniques (DEEE).

Ce symbole indique que cet appareil ne doit pas être mis au rebut avec les ordures ménagères à la fin de sa durée de vie. Les appareils usagés doivent être retournés au point de collecte officiel pour le recyclage des dispositifs électriques et électroniques. Pour trouver ces systèmes de collecte, veuillez contacter les autorités locales ou le détaillant à l'endroit où l'appareil a été acheté. Chaque ménage joue un rôle important dans la récupération et le recyclage des vieux appareils ménagers. La mise au rebut

appropriée des appareils usagés permet de prévenir les conséquences négatives potentielles pour l'environnement et la santé humaine.

Conformité à la directive RoHS

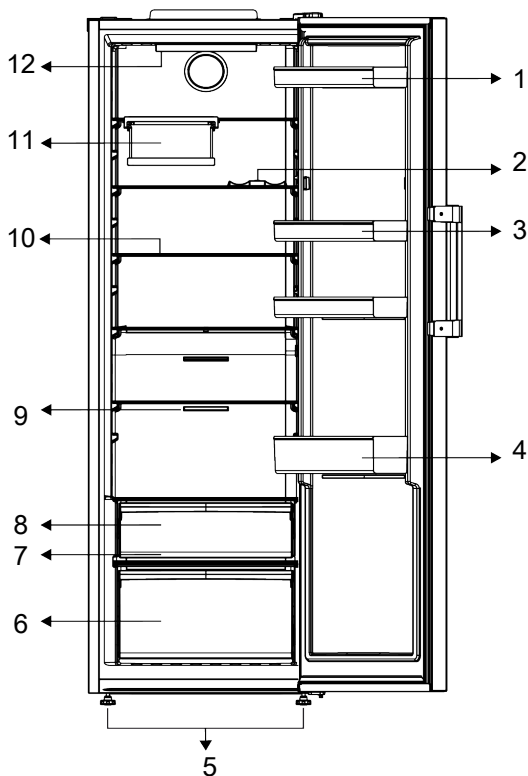
Votre appareil est conforme à la directive RoHS de l'Union européenne (2011/65/UE). Il ne comporte pas de matériaux dangereux et interdits mentionnés dans la directive.



Informations sur l'emballage

Les matériaux d'emballage de cet appareil sont fabriqués à partir de matériaux recyclables, conformément à nos réglementations nationales en matière d'environnement. Ne mettez pas les matériaux d'emballage au rebut avec les ordures ménagères et d'autres déchets. Apportez-les aux points de collecte des matériaux d'emballage désignés par les autorités locales.

3 Votre réfrigérateur



- | | |
|------------------------------|---------------------------------------|
| 1 Porte-œuf | 2 * Étagère pour les bouteilles |
| 3 Étagères réglables | 4 Étagères de porte réglables |
| 5 Pieds avant réglables | 6 Bac à légumes |
| 7 * Everfresh | 8 * Compartiment de stockage du froid |
| 9 Ventilateur | 10 Étagères réglables |
| 11 * Porte-bouteille pliable | 12 * Lampe d'éclairage |

***En option :** Les illustrations présentées dans ce manuel d'utilisation sont schématiques et peuvent ne pas correspondre exact-

tement à votre produit. Si votre appareil ne présente pas les parties citées, alors l'information s'applique à d'autres modèles.

4 Installation



Lisez d'abord la section « Instructions de sécurité » !

4.1 Lieu idéal d'installation

Contactez le service agréé pour l'installation de votre réfrigérateur. Pour préparer l'installation du réfrigérateur, lisez attentivement les

instructions du manuel d'utilisation et assurez-vous que les équipements électriques et d'approvisionnement d'eau sont installés convenablement. Si ce n'est pas le cas, appelez un électricien et un plombier pour faire le nécessaire pour les services publics.



AVERTISSEMENT :

Le fabricant ne sera pas tenu responsable en cas de problèmes causés par des travaux effectués par des personnes non autorisées.



AVERTISSEMENT :

Débranchez le câble d'alimentation du réfrigérateur pendant l'installation. Le non-respect de cette consigne peut entraîner la mort ou des blessures graves !



AVERTISSEMENT :

Si le cadre de la porte est trop étroit pour laisser passer l'appareil, retirez la porte et faites passer l'appareil sur les côtés ; si cela ne fonctionne pas, contactez le service agréé.

- Placez l'appareil sur une surface plane pour éviter les vibrations.
- Placez le produit à 30 cm du chauffage, de la cuisinière et des autres sources de chaleur similaires et à au moins 5 cm des fours électriques.
- N'exposez pas le produit directement à lumière du soleil et ne le laissez pas dans des environnements humides.
- Votre produit nécessite une circulation d'air adéquate pour pouvoir fonctionner efficacement. S'il est placé dans une alcôve, n'oubliez pas de laisser un espace d'au moins 5 cm entre l'appareil, le plafond, la paroi arrière et les parois latérales.
- Vérifiez que l'élément de protection d'espace de la façade arrière est présent à son emplacement (au cas où il est fourni avec l'appareil).

- Si l'élément n'est pas disponible, perdu ou tombé, positionnez l'appareil de manière à laisser un espace d'au moins 5 cm entre la surface arrière de l'appareil et les murs de la pièce. L'espace prévu à l'arrière est important pour le fonctionnement efficace de l'appareil.

FR

4.2 Branchement électrique



Ne branchez pas le réfrigérateur sur une rallonge ou une multiprise.



Les câbles d'alimentation endommagés doivent être remplacés par le service agréé.



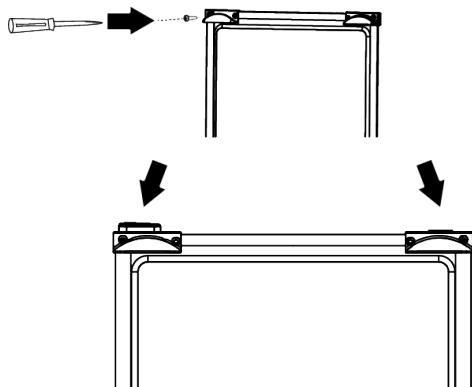
Lorsque deux réfrigérateurs sont installés côte à côte, laissez au moins 4 cm de distance entre les deux appareils

- Notre entreprise ne sera pas tenue responsable de tout dommage résultant de l'utilisation de l'appareil sans prise de mise à la terre ou branchement électrique conforme à la norme nationale en vigueur.
- Gardez la fiche du câble d'alimentation à portée de main après l'installation.
- N'utilisez pas de fiche multigroupe avec ou sans rallonge entre la prise murale et le réfrigérateur.

4.3 Fixation des cales en plastique

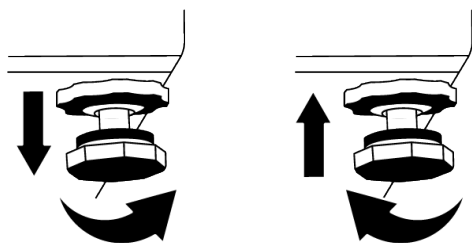
Utilisez les cales en plastiques fournies avec le réfrigérateur pour maintenir une circulation d'air suffisante entre le réfrigérateur et le mur.

1. Pour fixer les cales, retirez les vis du réfrigérateur et utilisez celles fournies avec les cales.
2. Fixez 2 cales en plastique sur le couvercle de ventilation tel qu'illustré par l'image.



4.4 Réglages des pieds avant

Si l'appareil n'est pas équilibré, réglez les pieds avant en les tournant vers la gauche ou la droite.



5 Préparation



Lisez d'abord la section « Instructions de sécurité » !

5.1 Moyens d'économiser l'énergie



Il est dangereux de connecter l'appareil aux systèmes électroniques d'économie d'énergie, ils pourraient l'endommager.

- Cet appareil de réfrigération n'est pas conçu pour être utilisé comme un appareil encastré.
- Ne laissez pas la porte du réfrigérateur ouverte longtemps.
- Ne conservez pas des aliments ou des boissons chaud(e)s dans le réfrigérateur.

4.5 Inversion du côté d'ouverture de la porte

Le côté d'ouverture de la porte de votre réfrigérateur peut être inversé en fonction de l'endroit où vous le placez. En cas de besoin, vous devez absolument appeler le service agréé le plus proche.

4.6 Attention aux surfaces chaudes

Les parois latérales de votre produit sont équipées de tuyaux de refroidissement pour améliorer le système de refroidissement. Un fluide à haute pression peut s'écouler à travers ces surfaces, et provoquer des surfaces chaudes sur les parois latérales. C'est normal et cela ne nécessite pas d'entretien. Faites attention lorsque vous contactez ces zones.

- Ne surchargez pas le réfrigérateur, l'obstruction du flux d'air interne réduira la capacité de réfrigération.
- Afin de charger la quantité maximale d'aliments dans le compartiment congélateur, vous devez retirer les tiroirs supérieurs et placer les aliments sur les clayettes métalliques/en verre. Les informations sur le volume net et la consommation d'énergie déclarées sur l'étiquette énergétique de votre réfrigérateur ont été testées en sortant les tiroirs supérieurs du compartiment réfrigérateur et le bac à glaçons, que l'on peut facilement retirer à la main.
- Il est fortement recommandé d'utiliser le tiroir du bas pour le rangement.

- Selon les caractéristiques de l'appareil, le dégivrage des aliments congelés dans le compartiment réfrigérateur assurera l'économie d'énergie et la préservation de la qualité des aliments.
- Veuillez-vous assurer que les aliments ne sont pas en contact direct avec le capteur de température du compartiment réfrigérateur décrit ci-après.
- Les aliments sont stockés à l'aide des tiroirs du compartiment réfrigéré afin de garantir une économie d'énergie et de protéger les aliments dans de meilleures conditions.
- Les emballages de denrées alimentaires ne doivent pas être en contact direct avec le capteur de température situé dans le compartiment de congélation.
- En cas de contact avec le capteur, la consommation d'énergie de l'appareil peut augmenter

5.2 Première utilisation

Avant d'utiliser votre réfrigérateur, assurez-vous que les installations nécessaires sont conformes aux instructions des sections « Instructions en matière de sécurité et d'environnement » et « Installation ».

- Laissez l'appareil fonctionner à vide pendant 6 heures, et ne l'ouvrez pas sauf en cas de nécessité absolue.
- Le changement de température causé par l'ouverture et la fermeture de la porte pendant l'utilisation du produit peut normalement entraîner la formation de condensation sur les tablettes de la porte/du corps et sur les verres placés dans l'appareil.



Un son retentit à l'activation du compresseur. Il est normal que l'appareil fasse du bruit même si le compresseur ne fonctionne pas, car du fluide et du gaz peuvent être comprimés dans le système de refroidissement.



Il est normal que les bords avant du réfrigérateur soient chauds. Ces parties doivent en principe être chaudes afin d'éviter la condensation.



Pour certains modèles, le panneau indicateur s'éteint automatiquement 1 minute après la fermeture des portes. Il s'active à nouveau à l'ouverture de la porte ou lorsque vous appuyez sur n'importe quelle touche.

5.3 Classe climatique et définitions

Veuillez vous référer à la classe climatique figurant sur la plaque signalétique de votre appareil. L'une des informations suivantes s'applique à votre appareil selon la classe climatique.

- **SN** : Climat tempéré à long terme : Ce dispositif de refroidissement est conçu pour être utilisé à une température ambiante comprise entre 10 °C et 32 °C.
- **N** : Climat tempéré : Ce dispositif de refroidissement est conçu pour être utilisé à une température ambiante comprise entre 16 °C et 32 °C.
- **ST** : Climat subtropical : Ce dispositif de refroidissement est conçu pour être utilisé à une température ambiante comprise entre 16 °C et 38 °C.
- **T** : Climat tropical : Ce dispositif de refroidissement est conçu pour être utilisé à une température ambiante comprise entre 16 °C et 43 °C.

6 Fonctionnement de l'appareil



Lisez d'abord la section « Instructions de sécurité » !

- Ce produit ne convient pas à la congélation des aliments.

- Il ne faut pas utiliser d'outils mécaniques ou autres que les recommandations du fabricant pour accélérer l'opération de décongélation.
- Évitez d'utiliser des parties de votre réfrigérateur, telles que la porte ou les tiroirs, comme support ou comme marchepied. Cela peut faire trébucher le produit ou endommager ses composants.
- Le produit ne doit être utilisé que pour la conservation des aliments.
- Fermez le robinet d'eau si vous vous absentez de chez vous (par exemple, en vacances) et que vous n'utilisez pas le distributeur d'eau ou le distributeur de glace

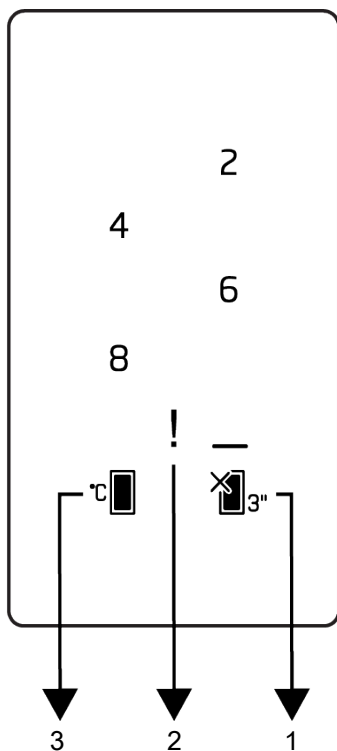
pendant une longue période. Dans le cas contraire, des fuites d'eau peuvent se produire.

Interruption du programme

- Si vous n'avez pas l'intention d'utiliser le produit pendant une longue période, débranchez-le de la prise de courant.
- Enlevez la nourriture pour éviter les odeurs.
- Attendez que la glace fonde, nettoyez l'intérieur et laissez-le sécher, laissez les portes ouvertes pour éviter d'endommager les plastiques intérieurs de la carrosserie.

7 Utilisation de votre appareil

7.1 Panneau de contrôle du produit



- 1 Touche de fonction ARRÊT du compartiment réfrigéré (vacances)
- 2 Indicateur de condition de défaut
- 3 Clé de réglage de la température du compartiment de refroidissement

2 Indicateur de condition de défaut



Lisez d'abord la section « Instructions de sécurité ».

Les fonctions sonores et visuelles dudit panneau vous aident à utiliser votre réfrigérateur.

***En option :** Les fonctions indiquées sont facultatives, il peut y avoir des différences de forme et d'emplacement au niveau des fonctions indiquées sur le panneau d'affichage de votre appareil.

1. Touche de fonction Arrêt du compartiment réfrigéré (vacances)

Appuyez sur la touche pendant 3 secondes pour activer la fonction vacances. Le mode vacances est activé et la LED sur la touche est allumée. Le compartiment de refroidissement n'assure pas la fonction de refroidissement actif. Vous ne devez pas conserver vos aliments dans le compartiment réfrigérateur lorsque cette fonction est activée. Il suffit

d'appuyer et de maintenir à nouveau sur la touche pendant 3 secondes pour annuler cette fonction.

2. Indicateur de condition de défaut !

Cet indicateur doit être activé lorsque votre réfrigérateur ne peut pas assurer un refroidissement adéquat ou en cas d'erreur de capteur. Un point d'exclamation peut être affiché lorsque vous chargez des aliments chauds dans le compartiment de congélation ou que vous gardez la porte ouverte pendant une longue période. Il ne s'agit pas d'un défaut, cet avertissement disparaît lorsque l'aliment est refroidi ou lorsqu'on appuie sur une touche quelconque.

3. Clé de réglage de la température du compartiment de refroidissement °C

Permet de régler la température du compartiment réfrigéré. Appuyez sur la touche pour régler la température du compartiment de refroidissement à 8, 6, 4, 2 °C.

7.2 Technologies Crisper

Voyant lumineux bleu

Les fruits et légumes stockés dans les bacs à légumes éclairés par une lumière bleue continuent leur photosynthèse grâce à l'effet de longueur d'onde de la lumière bleue et préservent ainsi leur teneur en vitamine.

HarvestFresh

Les fruits et légumes conservés dans les bacs à légumes éclairés par la technologie HarvestFresh conservent leurs vitamines plus longtemps grâce aux lumières bleues, vertes, rouges et aux cycles d'obscurité, qui simulent un cycle de jour.

Lorsque la porte de votre réfrigérateur est ouverte pendant la période d'obscurité de la technologie HarvestFresh, votre réfrigérateur le détecte automatiquement et allume le bac à légumes avec l'une des lumières bleues, vertes ou rouges respectivement pour votre confort. Une fois que vous avez fermé la porte du réfrigérateur, la période d'obscurité se poursuit, représentant ainsi la nuit dans un cycle de jour.

7.3 Zone d'entreposage frais des produits laitiers

Tiroir de stockage du froid

Le tiroir de stockage du froid peut atteindre des températures plus basses dans le compartiment réfrigérant. Utilisez ce tiroir pour les produits de charcuterie (salami, saucisse, etc.) et les produits laitiers qui nécessitent des conditions de stockage plus froides, ou pour la viande, le poulet ou le poisson à consommer rapidement. Il n'est pas possible de stocker des fruits et des légumes dans ce tiroir.

7.4 Inversion du côté d'ouverture de la porte

Le côté d'ouverture de la porte de votre réfrigérateur peut être inversé en fonction de l'endroit où vous le placez. En cas de besoin, vous devez absolument appeler le service agréé le plus proche.

7.5 Alerte de porte ouverte

Alerte de porte ouverte

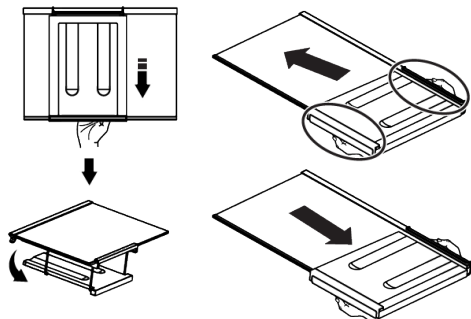
Un signal sonore est émis si la porte de l'appareil reste ouverte pendant 1 minute. L'alerte sonore s'arrête lorsque vous fermez la porte de l'armoire ou appuyez sur n'importe quel bouton de l'écran (si disponible).

7.6 Porte-bouteille pliable

Il permet à l'utilisateur de stocker des bouteilles de vin si nécessaire. Pour utiliser la section de la crémaillère, saisissez la partie en plastique et tirez-la doucement vers le bas. Vous pouvez maintenant utiliser le porte-bouteilles pliable.



Il est recommandé de stocker un maximum de 2 bouteilles de vin sur le porte-bouteilles pliable.



Pour regrouper le porte-bouteille, retirez premièrement la tablette en verre du réfrigérateur. Placez-le sur l'étagère en verre en poussant la partie en plastique dans les rainures avant et arrière, comme indiqué sur la photo. Le produit sera prêt à être utilisé avec le porte-voiture pliable.

Pour retirer le porte-bouteilles pliable, premièrement, retirez la tablette en verre du réfrigérateur. Saisissez ensuite la partie en plastique et tirez-la dans n'importe quelle direction. Vous pouvez maintenant utiliser l'appareil sans porte-bouteilles pliable si nécessaire.

7.7 Remplacement de la lampe d'éclairage

Appelez le service autorisé lorsque l'ampoule/LED utilisée pour l'éclairage de votre réfrigérateur doit être remplacée.

8 Entretien et nettoyage



AVERTISSEMENT :

Lisez d'abord la section « Instructions de sécurité ».



AVERTISSEMENT :

Débranchez le réfrigérateur avant le nettoyage.

- N'utilisez pas des objets pointus ou des produits de nettoyage abrasifs pour nettoyer l'appareil. Il ne faut pas utiliser de matériaux tels que des produits d'entretien ménager, du savon, des détergents, du gaz, de l'essence, un diluant, de l'alcool, de la cire, etc.

La ou les lampes utilisées dans cet appareil ne peuvent pas être utilisées pour l'éclairage de la maison. L'objectif de cette lampe est d'aider l'utilisateur à placer les aliments dans le réfrigérateur/congélateur de manière sûre et confortable.

7.8 AeroFlow

C'est un système de distribution d'air qui assure une répartition homogène de la température. Grâce à la circulation de l'air, la distribution homogène de la température est assurée dans le compartiment de stockage des aliments frais, et les fluctuations de température sont maintenues à de faibles niveaux. Il n'y a pas de soufflage direct d'air sur les aliments, ce qui permet de réduire la perte d'humidité. Cela préserve la fraîcheur des aliments stockés dans le compartiment des aliments frais du réfrigérateur. De cette façon, vos aliments sont conservés à des températures plus stables et le contact avec l'air est réduit. Le séchage et le rétrécissement des aliments par perte d'humidité sont évités et la fraîcheur est assurée plus longtemps.

- La poussière doit être enlevée de la grille de ventilation située à l'arrière du produit au moins une fois par an (sans ouvrir le couvercle). Nettoyez l'appareil avec un chiffon humide.
- Veillez à ne pas mouiller le logement de la lampe ainsi que d'autres composants électriques.
- Nettoyez la porte avec un chiffon humide. Retirez tout le contenu pour enlever la porte et les supports de carrosserie. Retirez les supports de porte en les soulevant vers le haut. Nettoyez et séchez les étagères, puis refixez-les en les faisant glisser à partir du haut.

- N'utilisez pas d'eau contenant du chlore, ou des produits de nettoyage pour les surfaces externes et les pièces chromées de l'appareil. Le chlore entraîne la corrosion de ce type de surfaces métalliques.
- Il ne faut pas utiliser d'outils tranchants et abrasifs, de savon, de produits d'entretien ménager, de détergents, de gaz, d'essence, de vernis et de substances similaires pour empêcher la déformation de la pièce en plastique et l'élimination des empreintes sur la pièce. Utilisez de l'eau chaude et un chiffon doux pour le nettoyage, puis séchez-le.
- Sur les produits sans fonction « No-Frost », des gouttelettes d'eau et un givre pouvant atteindre l'épaisseur d'un doigt peuvent se former sur la paroi arrière du compartiment congélateur. Ne nettoyez pas et n'appliquez jamais d'huiles ou de produits similaires.
- Utilisez un chiffon en microfibrilles légèrement humidifié pour nettoyer la surface extérieure du produit. Les éponges et autres types de vêtements de nettoyage peuvent provoquer des éraflures.
- Afin de nettoyer tous les composants amovibles pendant le nettoyage de la surface intérieure du produit, il faut laver ces composants avec une solution douce composée de savon, d'eau et de carbonate. Lavez et séchez soigneusement. Évitez le contact de l'eau avec les composants d'éclairage et le panneau de contrôle.



ATTENTION :

N'utilisez pas de vinaigre, d'alcool à friction ni de produits nettoyants à base d'alcool sur les surfaces intérieures.

Surfaces extérieures en acier inoxydable

Utilisez un produit de nettoyage non abrasif pour l'acier inoxydable et appliquez-le avec un chiffon doux non pelucheux. Pour polir, essuyez doucement la surface avec un chiffon en microfibrilles humidifié à l'eau et utilisez une peau de chamois sèche. Suivez toujours les veines de l'acier inoxydable.

Prévention des odeurs

À sa sortie d'usine, cet appareil ne contient aucun matériau odorant. Cependant, la conservation des aliments dans des sections inappropriées et le mauvais nettoyage de l'intérieur peuvent donner lieu aux mauvaises odeurs.

- Pour éviter cela, nettoyez l'intérieur à l'aide de carbonate dissout dans l'eau tous les 15 jours.
- Conservez les aliments dans des récipients scellés, car les micro-organismes provenant des aliments conservés dans des récipients non scellés provoquent une mauvaise odeur.
- Ne conservez pas d'aliments périmés ou avariés dans le réfrigérateur.

Protection des surfaces en plastique

Si de l'huile se répand sur les surfaces en plastique, il faut immédiatement les nettoyer avec de l'eau tiède, sinon elles seront endommagées.

9 Dépannage

Vérifiez la liste suivante avant de contacter le service après-vente. Cela devrait vous éviter de perdre du temps et de l'argent. Cette liste répertorie les plaintes fréquentes ne provenant pas de vices de fabrication ou des défauts de pièces. Certaines fonctionnalités mentionnées dans ce manuel peuvent ne pas exister sur votre modèle.

Le réfrigérateur ne fonctionne pas.

- La fiche électrique n'est pas correctement insérée. >>> Branchez-la en l'enfonçant complètement dans la prise.
- Le fusible branché à la prise qui alimente l'appareil ou le fusible principal est grillé. >>> Vérifiez les fusibles.

Condensation sur la paroi latérale du congélateur (MULTI ZONE, COOL, CONTROL et FLEXI ZONE).

- La porte a été ouverte trop fréquemment >>> Évitez d'ouvrir trop fréquemment la porte de l'appareil.
- L'environnement est trop humide. >>> N'installez pas l'appareil dans des endroits humides.
- Les aliments contenant des liquides sont conservés dans des récipients non fermés. >>> Conservez ces aliments dans des emballages scellés.
- La porte de l'appareil est restée ouverte. >>> Ne laissez pas la porte de l'appareil ouverte longtemps.
- Le thermostat est réglé sur une température très froide. >>> Réglez le thermostat à la température appropriée.

Le compresseur ne fonctionne pas.

- En cas de coupure soudaine de courant ou de débranchement intempestif, la pression du gaz dans le système de réfrigération de l'appareil n'est pas équilibrée, ce qui déclenche la fonction de conservation thermique du compresseur. L'appareil se remet en marche au bout de 6 minutes environ. Dans le cas contraire, veuillez contacter le service de maintenance.
- Le dégivrage est actif. >>> Ce processus est normal pour un appareil à dégivrage complètement automatique. Le dégivrage se déclenche périodiquement.
- L'appareil n'est pas branché. >>> Vérifiez que le cordon d'alimentation est branché.
- Le réglage de la température est incorrect. >>> Sélectionnez le réglage de température approprié.
- Absence d'énergie électrique. >>> Le produit continuera à fonctionner normalement une fois le courant rétabli.

Le bruit du réfrigérateur en fonctionnement s'accroît pendant son utilisation.

- Le rendement de l'appareil en fonctionnement peut varier en fonction des fluctuations de la température ambiante. Ceci est normal et ne constitue pas un dysfonctionnement.

Le réfrigérateur fonctionne fréquemment ou pendant de longues périodes.

- Il se peut que le nouvel appareil soit plus grand que l'ancien. Les appareils plus grands fonctionnent plus longtemps.
- La température de la pièce est peut-être trop élevée. >>> Il est normal que l'appareil fonctionne plus longtemps quand la température de la pièce est élevée.
- L'appareil vient peut-être d'être branché ou chargé de nouvelles denrées alimentaires. >>> L'appareil met plus longtemps à atteindre la température réglée s'il vient d'être branché ou récemment rempli de denrées. C'est normal.
- Il est possible que des quantités importantes d'aliments chauds aient été récemment placés dans l'appareil. >>> Ne mettez pas d'aliments chauds à l'intérieur de l'appareil.
- Les portes étaient ouvertes fréquemment ou sont restées longtemps ouvertes. >>> L'air chaud qui se déplace à l'intérieur permet à l'appareil de fonctionner plus longtemps. N'ouvrez pas les portes trop fréquemment.
- Il est possible que la porte du congélateur soit entrouverte. >>> Vérifiez que les portes sont complètement fermées.
- L'appareil peut être réglé à une température trop basse. >>> Réglez la température à un degré supérieur et attendez que l'appareil atteigne la nouvelle température.
- Le joint de la porte du congélateur peut être sale, usé, cassé, ou mal positionné. >>> Nettoyez ou remplacez le joint d'étanchéité. Si le joint du congélateur est endommagé ou arraché, l'appareil prendra plus longtemps à conserver la température actuelle.

La température du congélateur est très basse, alors que celle du réfrigérateur est appropriée.

- La température du compartiment congélateur est très basse. >>> Réglez la température du compartiment congélateur à un degré supérieur et vérifiez à nouveau.

La température du réfrigérateur est très basse, alors que celle du congélateur est appropriée.

- La température du compartiment réfrigérateur est très basse. >>> Réglez la température du compartiment de refroidissement à un degré supérieur et vérifiez à nouveau.

Les aliments conservés dans le compartiment réfrigérateur sont congelés.

- La température du compartiment réfrigérateur est très basse. >>> Réglez la température du compartiment de refroidissement à un degré supérieur et vérifiez à nouveau.

La température du compartiment réfrigérateur ou congélateur est très élevée.

- La température du compartiment réfrigérateur est réglée à un degré très élevé. >>> Le réglage de la température du compartiment réfrigérateur a une incidence sur la température du compartiment congélateur. Attendez jusqu'à ce que la température des pièces correspondantes atteigne le niveau d'efficacité requis en changeant la température des compartiments réfrigérateur ou congélateur.
- Les portes étaient ouvertes fréquemment ou sont restées longtemps ouvertes. >>> N'ouvrez pas les portes trop fréquemment.
- La porte peut être entrouverte. >>> Fermez complètement la porte.
- L'appareil vient peut-être d'être branché ou chargé de nouvelles denrées alimentaires. >>> Cela est normal. L'appareil met plus longtemps à atteindre la température réglée s'il vient d'être branché ou récemment rempli de denrées.
- Il est possible que des quantités importantes d'aliments chauds aient été récemment placées dans l'appareil. >>> Ne mettez pas d'aliments chauds à l'intérieur de l'appareil.

En cas de vibrations ou de bruits.

- La surface n'est pas plate ou durable >>> Si l'appareil balance lorsqu'il est déplacé doucement, ajustez les supports afin de le

remettre en équilibre. Assurez-vous également que le sol est assez solide pour supporter l'appareil.

- Les éléments placés sur l'appareil peuvent être à l'origine du bruit. >>> Retirez tous les éléments placés sur l'appareil.
- L'appareil émet un bruit d'écoulement de liquide ou de pulvérisation, etc.
- Les principes de fonctionnement de l'appareil impliquent des écoulements de liquides et des émissions de gaz. >>> Ceci est normal et ne constitue pas un dysfonctionnement.

L'appareil émet un sifflement.

- L'appareil effectue le refroidissement à l'aide d'un ventilateur. Ceci est normal et ne constitue pas un dysfonctionnement.

Il y a de la condensation sur les parois internes de l'appareil.

- Un climat chaud ou humide accélère le processus de givrage et de condensation. Ceci est normal et ne constitue pas un dysfonctionnement.
- Les portes étaient ouvertes fréquemment ou sont restées longtemps ouvertes. >>> N'ouvrez pas les portes trop fréquemment ; fermez-les lorsqu'elles sont ouvertes.
- La porte peut être entrouverte. >>> Fermez complètement la porte.

Il y a de la condensation sur les parois externes ou entre les portes de l'appareil.

- Il se peut que le climat ambiant soit humide, auquel cas cela est normal. >>> La condensation se dissipera lorsque l'humidité sera réduite.

Présence d'une odeur désagréable dans l'appareil.

- L'appareil n'est pas nettoyé régulièrement. >>> Nettoyez régulièrement l'intérieur à l'aide d'une éponge, de l'eau tiède et du carbonate dissout dans l'eau.

- Certains récipients et matériaux d'emballage sont peut-être à l'origine des mauvaises odeurs. >>> Utilisez des récipients et des emballages exempts de toute odeur.
- Les aliments étaient placés dans des récipients ouverts. >>> Conservez les aliments dans des récipients fermés. Des micro-organismes peuvent se proliférer dans des récipients non fermés et émettre de mauvaises odeurs.
- Retirez tous les aliments périmés ou avariés de l'appareil.

La porte ne se ferme pas.

- Les paquets d'aliments peuvent bloquer la porte. >>> Déplacez tout ce qui bloque les portes.
- L'appareil ne se tient pas parfaitement droit sur le sol. >>> Ajustez les supports afin de remettre l'appareil en équilibre.
- La surface n'est pas plane ou durable >>> Assurez-vous que la surface est plane et suffisamment durable pour supporter le produit.

Le bac à légumes est bloqué.

- Il est possible que les aliments soient en contact avec la section supérieure du bac. >>> Reclassez les aliments dans le bac.

Température à la surface de l'appareil.

- Une température élevée peut être observée entre deux portes, sur les panneaux latéraux et sur la zone du gril arrière lorsque votre produit est utilisé. C'est normal et cela ne nécessite pas d'entretien.

Le ventilateur continue de fonctionner lorsque la porte est ouverte.

- Le ventilateur peut continuer à fonctionner lorsque la porte du congélateur est ouverte.



AVERTISSEMENT : Si le problème persiste même après observation des instructions contenues dans cette partie, contactez votre fournisseur ou un service de maintenance agréé. N'essayez pas de réparer vous-même l'appareil. C'est normal.

CLAUSE DE NON-RESPONSABILITÉ / AVERTISSEMENT

Certaines défaillances (simples) peuvent être traitées de manière adéquate par l'utilisateur final sans qu'aucun problème de sécurité ou d'utilisation dangereuse ne survienne, à condition qu'elles soient effectuées dans les limites et conformément aux instructions suivantes (voir la section « Auto-réparation »). Par conséquent, sauf autorisation contraire dans la section « Auto-réparation » ci-dessous, adressez-vous à des réparateurs professionnels agréés pour toutes réparations afin d'éviter des problèmes de sécurité. Un réparateur professionnel agréé est une personne à qui le fabricant a donné accès aux instructions et à la liste des pièces détachées de ce produit selon les méthodes décrites dans les actes législatifs en application de la directive 2009/125/CE

Toutefois, seul l'agent de service (c'est-à-dire les réparateurs professionnels agréés) que vous pouvez joindre au numéro de téléphone indiqué dans le ma-

nuel d'utilisation/la carte de garantie ou par l'intermédiaire de votre fournisseur agréé peut fournir un service conformément aux conditions de garantie. Par conséquent, veuillez noter que les réparations effectuées par des réparateurs professionnels (qui ne sont pas autorisés par) Beko Marka annulent la garantie.

Auto-réparation

L'auto-réparation peut être effectuée par l'utilisateur final en ce qui concerne les pièces de rechange suivantes : poignées de porte, charnières de porte, plateaux, paniers et joints de porte (une liste mise à jour est également disponible sur support.beko.com à partir du 1er mars 2021).

En outre, pour garantir la sécurité du produit et éviter tout risque de blessure grave, ladite auto-réparation doit être effectuée en suivant les instructions du manuel d'utilisation pour l'auto-réparation ou celles disponibles sur

support.beko.com . Pour votre sécurité, débranchez le produit avant de procéder à toute auto-réparation.

Les réparations et tentatives de réparation par les utilisateurs finaux pour des pièces ne figurant pas dans cette liste et/ou ne suivant pas les instructions des manuels d'utilisation pour l'auto-réparation ou celles disponibles sur support.beko.com, pourraient donner lieu à des problèmes de sécurité non imputables à Beko, et annuleront la garantie du produit.

Il est donc fortement recommandé aux utilisateurs finaux de s'abstenir de tenter d'effectuer des réparations ne figurant pas sur la liste des pièces de rechange mentionnée, mais de contacter dans de tels cas des réparateurs professionnels autorisés ou des réparateurs professionnels agréés. Au contraire, de telles tentatives de la part des utilisateurs finaux peuvent causer des problèmes de sécurité et endommager le produit et, par la suite, provoquer un incendie, une inondation, une électrocution et des blessures corporelles graves.

À titre d'exemple, mais sans s'y limiter, vous devez vous adresser à des réparateurs professionnels autorisés ou à des réparateurs professionnels agréés pour les réparations suivantes : compresseur, circuit de refroidissement, carte mère, carte d'inverseur, panneau d'affichage, etc.

Le fabricant/vendeur ne peut être tenu responsable dans tous les cas où les utilisateurs finaux ne se conforment pas à ce qui précède.

La disponibilité des pièces de rechange du réfrigérateur que vous avez acheté est de 10 ans. Pendant cette période, les pièces de rechange d'origine seront disponibles pour faire fonctionner le réfrigérateur correctement.

La durée minimale de garantie du réfrigérateur que vous avez acheté est de 24 mois. Cet appareil est équipé d'une source d'éclairage de classe énergétique « G ».

La source d'éclairage de cet appareil ne doit être remplacée que par des réparateurs professionnels



