

TEKA



User Manual
RVF 10051 GBK / RVF 10032 GBK

EN ES PT DE FR

www.teka.com

TEKA

INSTRUCTION MANUAL

RVF 10051 GBK

RVF 10032 GBK

TABLE OF CONTENTS

WINE CHILLER SAFETY	3
IMPORTANT SAFE-GUIDES	4
REFRIGERANT GAS WARNINGS	5
PARTS BREAKDOWN	6
IMPORTANT SAFETY INSTRUCTIONS	7
INSTALLATION INSTRUCTIONS	7
Before using your wine chiller	7
Installation of your wine chiller	7-8
Electrical connection	8
Extension cord	8
Power bar with surge protector	8-9
OPERATING YOUR WINE chiller	9
Recommended temperature settings	9
Storage	10
Cleaning your wine chiller	10
Shelves	10
Power failure	10
Moving your wine chiller	11
Energy saving tips	11
Charcoal filtration system	11
TROUBLESHOOTING GUIDE	12-13

WINE CHILLER SAFETY

Your safety and the safety of others are very important.

We have provided many important safety messages in this manual and on your appliance. Always read and obey all safety messages.



This is the Safety Alert Symbol. This symbol alerts you to potential hazards that can kill or injure you and others. All safety messages will follow the Safety Alert Symbol and either the words “DANGER”, “WARNING” or “CAUTION”.



Danger means that failure to heed this safety statement may result in severe personal injury or death.



Warning means that failure to heed this safety statement may result in extensive product damage, serious personal injury, or death.



Caution means that failure to heed this safety statement may result in minor or moderate personal injury, or property or equipment damage.

All safety messages will alert you do what the potential hazard is, tell you how to reduce the chance of injury, and let you know what can happen if the instructions are not followed.

IMPORTANT SAFEGUIDES



Before the appliance is used, it must be properly positioned and installed as described in this manual, so read the manual carefully. To reduce the risk of fire, electrical shock or injury when using the appliance, follow basic precaution, including the following:

⚠ DANGER ⚠

- Plug into a grounded 3-prong outlet, do not remove grounding prong, do not use an adapter, and do not use an extension cord.
- Replace all panels before operating.
- It is recommended that a separate circuit, serving only your appliance be provided. Use receptacles that cannot be turned off by a switch or pull chain.
- Never clean appliance parts with flammable fluids. These fumes can create a fire hazard or explosion. And do not store or use gasoline or other flammable vapour and liquids in the vicinity of this or any other appliance. The fumes can create a fire hazard or explosion.
- Before proceeding with cleaning and maintenance operations, make sure the power line of the unit is disconnected.
- Do not connect or disconnect the electric plug when your hands are wet.
- Unplug the appliance or disconnect power before cleaning or servicing. Failure to do so can result in electrical shock or death.
- Do not attempt to repair or replace any part of your appliance unless it is specifically recommended in this material. All other servicing should be referred to a qualified technician.

 **WARNING** 

- Use two or more people to move and install appliance. Failure to do so can result in back or other injury.
- To ensure proper ventilation for your appliance, the front of the unit must be completely unobstructed. Choose a well-ventilated area with temperatures above 16°C (60°F) and below 32°C (90°F). This unit must be installed in an area protected from the element, such as wind, rain, water spray or drips.
- The appliance should not be located next to ovens, grills or other sources of high heat.
- The appliance must be installed with all electrical, water and drain connections in accordance with state and local codes. A standard electrical supply (220V/50Hz), properly grounded in accordance with the National Electrical Code and local codes and ordinances is required.
- Do not kink or pinch the power supply cord of appliance.
- The fuse (or circuit breaker) size should be 13 amperes.
- It is important for the appliance to be leveled in order to work properly. You may need to make several adjustments to level it.
- Never allow children to operate, play with or crawl inside the appliance.
- Do not use solvent-based cleaning agents or abrasives on the interior. These cleaners may damage or discolour the interior.
- Do not use this apparatus for other than its intended purpose.

 **FLAMMABLE REFRIGERANT GAS** 

DANGER - Risk of fire or explosion. Flammable refrigerant used.

DO NOT use mechanical devices to defrost refrigerator. DO NOT puncture refrigerant tubing.

DANGER - Risk of fire or explosion. Flammable refrigerant used. To be repaired only by trained service personnel. DO NOT puncture refrigerant tubing.

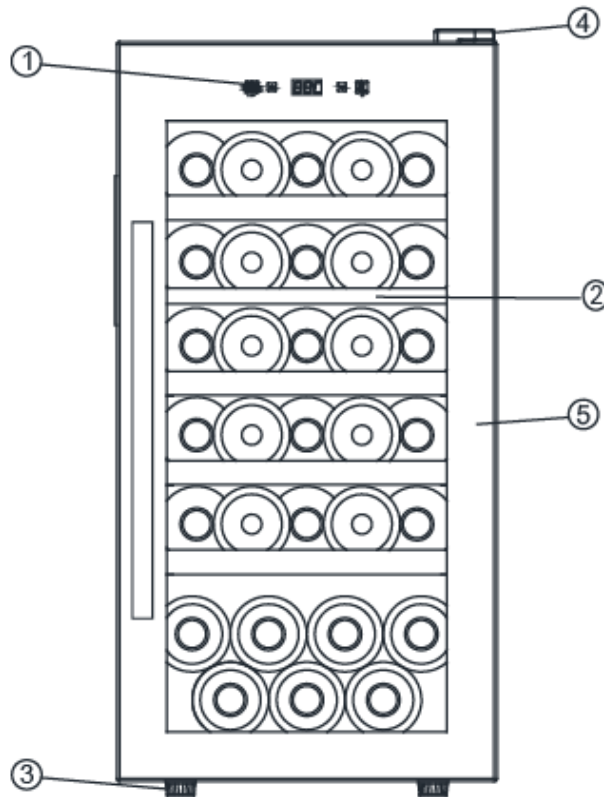
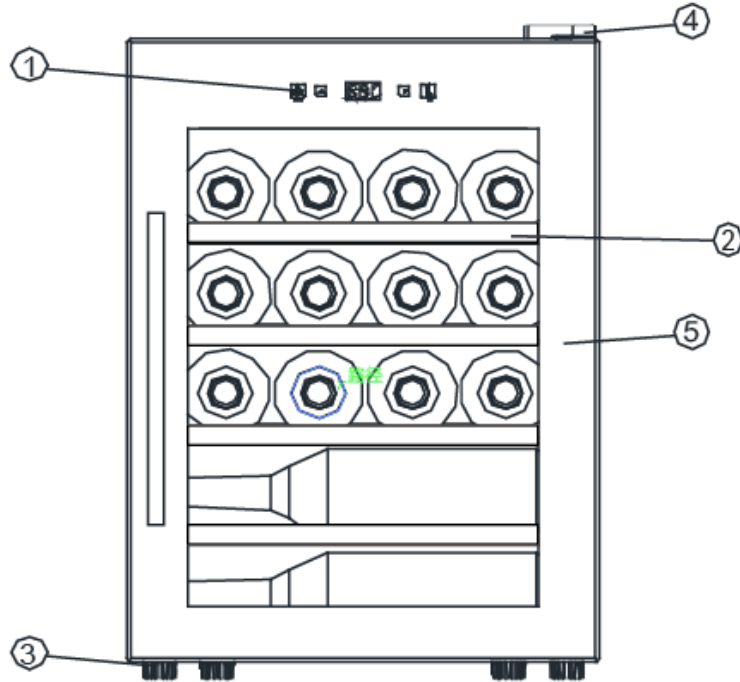
CAUTION - Risk of fire or explosion. Flammable refrigerant used. Consult repair manual / owner's guide before attempting to service this product. All safety precautions must be followed.

CAUTION - Risk of fire or explosion. Dispose of property in accordance with federal or local regulations. Flammable refrigerant used.

CAUTION - Risk of fire or explosion due to puncture of refrigerant tubing. Follow handling instructions carefully. Flammable refrigerant used.

CAUTION - To prevent a child from being entrapped, keep out of reach of children and not in the vicinity of the cooler.

PARTS BREAKDOWN



- | | | | |
|---|----------------|---|------------|
| 1 | Control Panel | 4 | Top Hinge |
| 2 | Wooden Shelves | 5 | Glass Door |
| 3 | Leveling Legs | | |

IMPORTANT SAFETY INSTRUCTIONS



To reduce the risk of fire, electrical shock, or injury when using your appliance, follow these basic precautions:

- Read all instructions before using the wine chiller.
- **DANGER or WARNING:** Risk of child entrapment.
Child entrapment and suffocation are not problems of the past. Junked or abandoned appliances are still dangerous.
- Before you throw away your old wine chiller, take off the door but leave the shelves in place so that children may not easily climb inside.
- Never allow children to operate, play with, or crawl inside the appliance.
- Never clean appliance parts with flammable fluids. The fumes can create a fire hazard or explosion.
- Do not store or use gasoline or any other flammable vapors and liquids in the vicinity of this or any other appliance. The fumes can create a fire hazard or explosion.

-Save these instructions-

INSTALLATION INSTRUCTIONS

Before using your wine chiller

- Remove the exterior and interior packing.
- Check to be sure you have all of the following parts:
 - o shelves
 - o Stainless Steel Handle
 - o Instruction Manual
- Before connecting the Wine Chiller to the power source, let it stand upright for approximately 2 hours. This will reduce the possibility of a malfunction in the cooling system from handling during transportation.
- Clean the interior surface with lukewarm water using a soft cloth.
- Install the handle on the left side of the door.

Installation of your wine chiller

- This appliance is designed to be for free standing installation or flush-in.
- Place your wine chiller on a floor that is strong enough to support it when it is fully loaded. To level your wine chiller, adjust the front leveling legs at the bottom of the wine chiller.
- Locate the wine chiller away from direct sunlight and sources of heat (stove, heater, radiator, etc.). Direct

sunlight may affect the acrylic coating and heat sources may increase electrical consumption. Extreme cold ambient temperatures may also cause the unit not to perform properly.

- Avoid locating the unit in moist areas.
- Plug the Wine Chiller into an exclusive, properly installed-grounded wall outlet. Do not under any circumstances cut or remove the third (ground) prong from the power cord. Any questions concerning power and/or grounding should be directed toward a certified electrician or an authorized Products service center.

Electrical connection

⚠Warning⚠: Improper use of the grounded plug can result in the risk of electrical shock. If the power cord is damaged, have it replaced by an authorized service center.

This appliance should be properly grounded for your safety. The power cord of this appliance is equipped with a three-prong plug which mates with standard three prong wall outlets to minimize the possibility of electrical shock.

Do not under any circumstances cut or remove the third ground prong from the power cord supplied. For personal safety, this appliance must be properly grounded.

This appliance requires a standard 220V/50Hz electrical ground outlet with three-prong. Have the wall outlet and circuit checked by a qualified electrician to make sure the outlet is properly grounded. When a standard 2-prong wall outlet is encountered, it is your responsibility and obligation to have it replaced with a properly grounded

3-prong wall outlet. The cord should be secured behind the appliance and not left exposed or dangling to prevent accidental injury.

The appliance should always be plugged into its own individual electrical outlet which has a voltage rating that matches the rating label on the appliance. This provides the best performance and also prevent overloading house wiring circuits that could cause a fire hazard from overheated. Never unplug the appliance by pulling the power cord. Always grip the plug firmly and pull straight out from the receptacle. Repair or replace immediately all power cords that have become frayed or otherwise damaged. Do not use a cord that shows cracks or abrasion damage along its length or at either end. When moving the appliance, be careful not to damage the power cord.

Extension cord

Because of potential safety hazards under certain conditions, it is strongly recommended that you do not use an extension cord with this appliance. However, if you must use an extension cord it is absolutely necessary that it be a 3-wire grounding type appliance extension cord having a grounding type plug and outlet and that the electrical rating of the cord be 220 volts and at least 13 amperes.

Power bar with surge protection

Most electrical appliances use a series of electric control boards to operate. These boards are very susceptible to power surges and could be damaged or destroyed.

If the appliance is going to be used in an area or if your city / country is prone to power surges / outages; it is suggested that you use a power surge protector for all electrical devices / appliances you use. The surge protector that you select must have a surge block high enough to protect the appliance it is connected to. If you

have any questions regarding the type and size of surge protector needed contact a licensed electrician in your area.

Damages due to power surges are not considered a manufacturer covered defect and will void your product warranty.

OPERATING YOUR WINE CHILLER

It is recommended you install the wine chiller in a place where the ambient temperature is between 19°C-24°C (66°F-75°F), and humidity is under 60%. If the ambient temperature is above or below recommended temperatures, the performance of the unit may be affected. For example, placing your unit in extreme cold or hot conditions may cause interior temperatures to fluctuate. The range of 5°C-18°C(41°F-65°F) may not be reached.

Recommended temperature settings

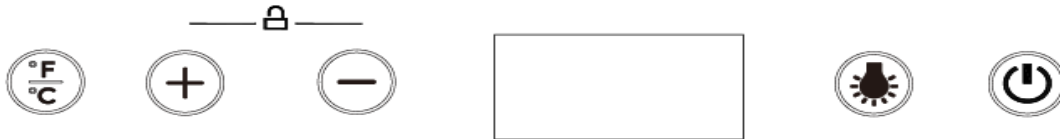
Wine conservation: 12°C-14°C (53°F-57°F)

Rose and sparkling wines: 5°C-8°C (41°F-46°F)





Dry/white wines: 9°C-12°C (48°F-53°F)

Red wines: 14°C-18°C (59°F-65°F) _ _

*Temperature °C may varies between < + 2 °C



Temperature setting range: 5-18°C(41-65°F)

	Turns the interior light on or off
	Adjusts the temperature in 1 degree increments Adjusts the temperature in 1 degree decrements
	Toggles the temperature display between Celsius and Fahrenheit
	Press for 3 seconds to turn on /off the appliance

Storage

Many bottles may differ in size and dimensions. As such the actual number of bottles you may be able to store may vary. You can place 32 standard bottles in RVF 10032 & 51 bottles in RVF 10051.

Cleaning your wine chiller

Turn off the power, unplug the appliance, and remove all items including shelves. Wash the inside surfaces with a warm water and baking soda solution. The solution should be about 2 tablespoons of baking soda to 1 cup of water.

Wash the shelves with a mild detergent solution. Wring excess water out of the sponge or cloth when cleaning area of the controls, or any electrical parts.

Wash the outside cabinet with warm water and mild liquid detergent. Rinse well and wipe dry with a clean soft

cloth. Do not use steel wool or steel brush on the stainless steel. These will contaminate the stainless steel with steel particles and rusting may occur.

Shelves

To remove the shelves from the track, pull each shelf out to the shelf post, as shown in figure A. Lift it up again, then slowly pull the shelf out, as shown in figure B.

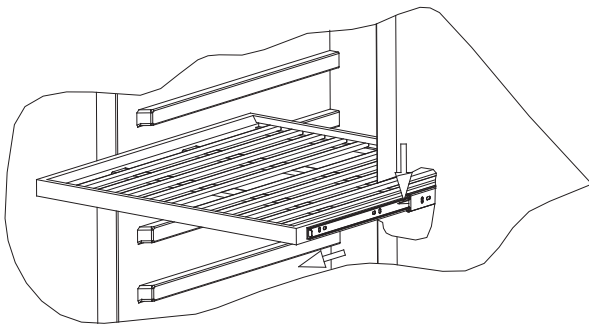


Figure A

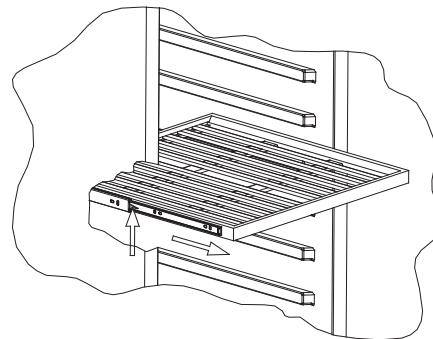


Figure B

Power failure

Most power failures are corrected within a few hours and should not affect the temperature of your appliance if you minimize the number of times the door is opened. If the power is going to be off for a longer period of time, you need to take the proper steps to protect your contents.

Moving your wine chiller

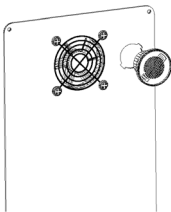
- Remove all items (bottles)
- Tape down securely all loose items (shelves) inside your appliance.
- Turn the adjustable leg up to the base to avoid damage.
- Tape the door shut.
- Be sure the appliance stays secure in the upright position during transportation. If you absolutely need to transport the chiller horizontally, transport the chiller on its back (door on top). Also protect outside of appliance with a blanket, or similar item.

Energy saving tips

The wine chiller should be located in the coolest area of the room, away from heat producing appliances, and out of the direct sunlight.


Charcoal filtration system

Your wine is a living object that breathes through the cork of its bottle. In order to preserve the quality and taste of your fine wines, they must be stored at the ideal temperature and ambient conditions. Your cellar is equipped with an active charcoal filtration system to ensure air purity, cooling efficiency, and to maintain an odor free cabinet for the storage of your fine wines. The filter assembly is located at the rear panel inside your cellar. Keep in mind, that this filter must be changed every 12 months.

1	Remove the bottles of wine stored on the two (2) shelves in front of the filter.	 <p>Turn Left to remove filter.</p>
2	Remove the shelves and set aside to be replaced once you have changed the filter	
3	Hold the filter and turn it at 45 degrees in the counter-clockwise direction and then pull it out.	
4	Remove the existing filter and replace with a new one.	
5	Put the new filter into the hole and then turn the filter at 45 degrees in clockwise direction.	

TROUBLESHOOTING GUIDE

You can solve many common wine chiller problems easily, saving you the cost of a possible service call. Try the suggestions below to see if you can solve the problem before calling the servicer.

PROBLEM	POSSIBLE CAUSE	SOLUTION
chiller does not operate.	<p>Not plugged in.</p> <p>The appliance is turned off.</p> <p>The circuit breaker tripped or a blown fuse.</p>	<p>Plug the unit.</p> <p>Press  to turn on the unit.</p> <p>Check the breaker and/or fuses.</p>
chiller is not cold enough.	<p>External environment may require a higher setting.</p> <p>The door is opened too often.</p> <p>The door is not closed completely.</p> <p>The door gasket does not seal properly.</p>	<p>Check the temperature control setting.</p> <p>Close the door properly.</p> <p>Check the door gasket.</p>
The compressor turns on and off frequently.	<p>The room temperature is hotter than normal.</p> <p>A large amount of contents has been added to the chiller.</p> <p>The door is opened too often.</p> <p>The door is not closed completely.</p> <p>The temperature control is not set correctly.</p> <p>The door gasket does not seal properly.</p>	<p>Close the door properly.</p> <p>Check the door gasket.</p>
The fans turn on and off frequently.	<p>In order to circulate the air and maintain the set temperature inside the cabinet the fans must cycle on and off even when the compressor is off. The fans will cycle ON and OFF while the compressor is off approximately every 10 seconds, this is called "Semi-speed status". This cycle is normal and meant both to circulate the air as well as ensure the continued operational status of the fans. If the fan stops completely and does not complete this cycle the fan is non-operational.</p>	
The light does not work.	<p>Not plugged in.</p> <p>The circuit breaker tripped or a blown fuse.</p> <p>The light button is "OFF".</p>	<p>Plug the unit.</p> <p>Check the breaker and/or fuses.</p>

Vibrations.	<p>The chiller is not leveled</p> <p>The bottles are vibrating.</p> <p>There is an object under the chiller.</p>	<p>Check to assure that the chiller is level.</p> <p>Make sure the bottles don't touch each others.</p> <p>Remove the object.</p>
The chiller seems to make too much noise.	The chiller is not level.	<p>Level the chiller.</p> <p>The rattling noise may come from the flow of the refrigerant, which is normal. As each cycle ends, you may hear gurgling sounds caused by the flow of refrigerant in your chiller. Contraction and expansion of the inside walls may cause popping and crackling noises.</p>
The door will not close properly.	<p>The chiller is not level.</p> <p>The door was reversed and not properly installed.</p> <p>The gasket is dirty.</p> <p>The shelves are out of position.</p>	<p>Level the chiller.</p> <p>Close the door properly.</p> <p>Clean the door gasket.</p> <p>Place the shelves properly.</p>
<p>Error Code:</p> <p>E1-E2-E3-</p> <p>E4-E7-E8</p>	A sensor has failed.	Contact us for a service call.

TEKA

MANUAL DE INSTRUCCIONES

RVF 10051 GBK

RVF 10032 GBK

ÍNDICE

SEGURIDAD DEL CONSERVADOR DE VINO	3
GUÍAS IMPORTANTES DE SEGURIDAD	4
ADVERTENCIAS SOBRE EL GAS REFRIGERANTE	5
DESGLOSE DE PIEZAS	6
INSTRUCCIONES IMPORTANTES DE SEGURIDAD	7
INSTRUCCIONES DE INSTALACIÓN	7
Antes de usar el conservador de vino	7
Instalación del conservador de vino	7-8
Conexión eléctrica	8
Cable alargador	8
Barra de alimentación con protector de sobretensión	8-9
FUNCIONAMIENTO DEL CONSERVADOR DE VINO	9
Ajustes de temperatura recomendados	9
Almacenamiento	10
Limpieza del conservador de vino	10
Estantes	10
Corte de alimentación	10
Traslado del conservador de vino	11
Consejos de ahorro de energía	11
Sistema de filtración de carbón	11
GUÍA PARA LA RESOLUCIÓN DE PROBLEMAS	12-13

SEGURIDAD DEL CONSERVADOR DE VINO

Su seguridad y la de los demás son muy importantes.

En este manual, así como en el aparato hemos incluido muchos mensajes de seguridad importantes. Lea atentamente y siga todos los mensajes de seguridad.



Este es el símbolo de alerta de seguridad. Este símbolo le avisa de los posibles peligros que pueden provocarle un graves lesiones, como la muerte, o herirle a usted y a los demás. Todos los mensajes irán seguidos del símbolo de alerta de seguridad y de las palabras «PELIGRO», «ADVERTENCIA» o «PRECAUCIÓN».



Peligro significa que el incumplimiento de esta declaración de seguridad puede provocar graves lesiones personales o incluso la muerte.



Advertencia significa que el incumplimiento de esta declaración de seguridad puede provocar grandes daños en el producto, lesiones personales graves o la muerte.



Precaución significa que el incumplimiento de esta declaración de seguridad puede provocar lesiones personales leves o moderadas, o daños a la propiedad o al equipo.

Todos los mensajes de seguridad le avisarán de cuál es el posible peligro, le indicarán cómo reducir la posibilidad de que se produzcan lesiones y le harán saber lo que puede ocurrir si no se siguen las instrucciones.

GUÍAS IMPORTANTES DE SEGURIDAD



Antes de utilizar el aparato, es necesario colocarlo e instalarlo correctamente tal y como se describe en este manual, por lo que debe leerlo detenidamente. Para reducir el riesgo de incendio, descarga eléctrica o lesiones al utilizar el aparato, siga las precauciones básicas, incluyendo las siguientes:



- Enchufe el aparato a una toma de corriente de 3 clavijas con conexión a tierra, no retire la clavija de conexión a tierra, no utilice ningún adaptador ni tampoco ningún cable alargador.
- Vuelva a colocar todos los paneles antes de poner en marcha el aparato.
- Se recomienda disponer de un circuito separado que sirva solo a su aparato. Utilice receptáculos que no puedan apagarse a través de un interruptor o interruptor de cadena.
- No limpie nunca las piezas del aparato con líquidos inflamables. Estos gases pueden crear peligro de incendio o explosión. Y no almacene ni utilice gasolina u otros vapores y líquidos inflamables cerca de este o cualquier otro aparato. Los gases pueden crear peligro de incendio o explosión.
- Antes de proceder a las operaciones de limpieza y mantenimiento, asegúrese de que la línea eléctrica de la unidad esté desconectada.
- No conecte o desconecte el enchufe eléctrico cuando tenga las manos mojadas.
- Desenchufe el aparato o desconecte la corriente antes de limpiarlo o realizar cualquier mantenimiento. No hacerlo puede provocar una descarga eléctrica o la muerte.
- No intente reparar o sustituir ninguna pieza de su aparato a menos que se recomiende específicamente en este material. Cualquier otro tipo de mantenimiento debe ser remitido a un técnico cualificado.

WARNING

- Mueva e instale el aparato con la ayuda de dos o más personas. No hacerlo puede provocar lesiones en la espalda o de otro tipo.
- Para garantizar la correcta ventilación de su aparato, la parte frontal del mismo debe estar completamente libre de obstáculos. Elija una zona bien ventilada con temperaturas superiores a 16 °C (60 °F) e inferiores a 32 °C (90 °F). Esta unidad debe instalarse en una zona protegida de los elementos, como el viento, la lluvia, las salpicaduras de agua o las goteras.
- El aparato no debe situarse junto a hornos, parrillas u otras fuentes de calor elevado.
- El aparato debe instalarse con todas las conexiones eléctricas, de agua y de desagüe de acuerdo con los códigos estatales y locales. Se requiere un suministro eléctrico estándar (220V/50Hz), debidamente conectado a tierra de acuerdo con el Código Eléctrico Nacional y los códigos y ordenanzas locales.
- No retuerza ni pellizque el cable de alimentación del aparato.
- El tamaño del fusible (o disyuntor) debe ser de 13 amperios.
- Es importante que el aparato esté nivelado para que funcione correctamente. Es posible que tenga que hacer varios ajustes para nivelarlo.
- Nunca permita que los niños operen, jueguen o gateen hasta dentro del aparato.
- No utilice productos de limpieza a base de disolventes o abrasivos para limpiar el interior del aparato. Estos limpiadores pueden dañar o decolorar el interior.
- No utilice este aparato para otro fin que no sea el previsto.

GAS REFRIGERANTE INFLAMABLE

PELIGRO: Riesgo de incendio o explosión. Refrigerante inflamable utilizado.

NO utilice dispositivos mecánicos para descongelar el conservador de vino. NO perfore la tubería de refrigerante.

PELIGRO: Riesgo de incendio o explosión. Refrigerante inflamable utilizado. Solo por personal de servicio capacitado puede reparar el aparato. NO perfore la tubería de refrigerante.

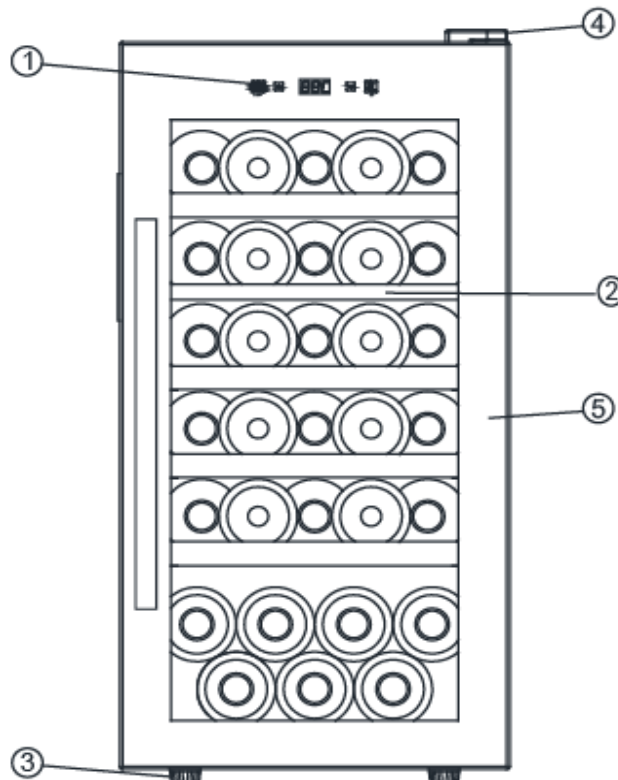
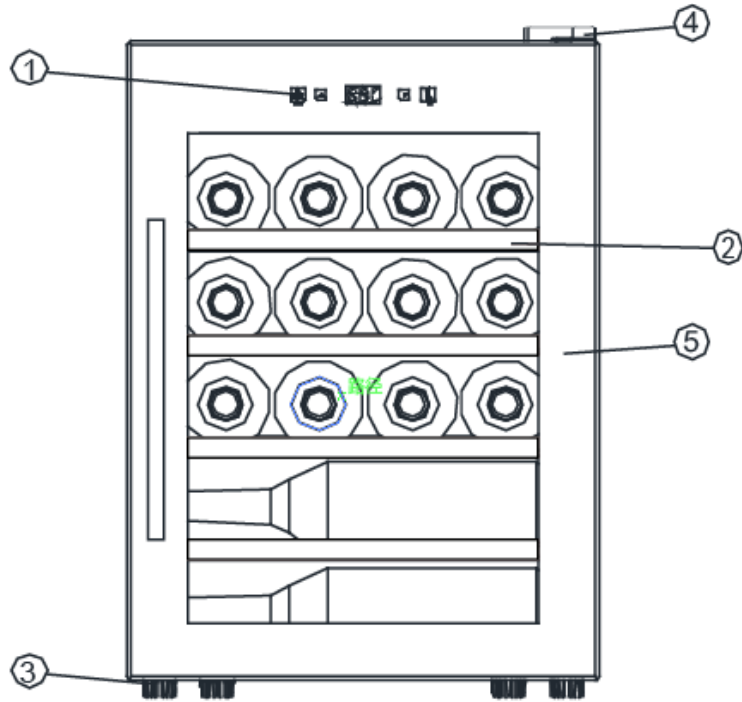
PRECAUCIÓN: Riesgo de incendio o explosión. Refrigerante inflamable utilizado. Consulte el manual de reparación/manual del usuario antes de intentar reparar este producto. Deben seguirse todas las precauciones de seguridad.

PRECAUCIÓN: Riesgo de incendio o explosión. Elimine los productos de acuerdo con la normativa federal o local. Refrigerante inflamable utilizado.

PRECAUCIÓN: Riesgo de incendio o explosión debido a la perforación de la tubería de refrigerante. Siga cuidadosamente las instrucciones de manipulación. Refrigerante inflamable utilizado.

PRECAUCIÓN: Para evitar que un niño quede atrapado, mantenga el aparato fuera del alcance de los niños.

DESGLOSE DE PIEZAS



- | | | | |
|---|-----------------------|---|-------------------|
| 1 | Panel de control | 4 | Bisagra superior |
| 2 | Estantes de madera | 5 | Puerta de cristal |
| 3 | Patatas de nivelación | | |

INSTRUCCIONES IMPORTANTES DE SEGURIDAD

⚡ ADVERTENCIA ⚡	<p>Para reducir el riesgo de incendio, descarga eléctrica o lesiones al utilizar el aparato, siga estas precauciones básicas:</p> <ul style="list-style-type: none"> • Lea todas las instrucciones antes de utilizar el conservador de vino. • PELIGRO o ADVERTENCIA: Riesgo de atrapamiento de niños. El atrapamiento y la asfixia de los niños no son problemas del pasado. Los aparatos desechados o abandonados siguen siendo peligrosos. • Antes de tirar su viejo conservador de vino, quite la puerta pero deje los estantes en su sitio para que los niños no puedan trepar fácilmente al interior. • Nunca permita que los niños operen, jueguen o gateen hasta dentro del aparato. • No limpie nunca las piezas del aparato con líquidos inflamables. Los gases pueden crear peligro de incendio o explosión. • No almacene ni utilice gasolina u otros vapores y líquidos inflamables cerca de este o cualquier otro aparato. Los gases pueden crear peligro de incendio o explosión. <p style="text-align: center;">-Guarde estas instrucciones-</p>
------------------------	---

INSTRUCCIONES DE INSTALACIÓN

Antes de usar el conservador de vino

- Retire el embalaje exterior e interior.
- Compruebe que tiene todas las piezas siguientes:
 - o Estantes
 - o Asa de acero inoxidable
 - o Manual de instrucciones
- Antes de conectar el conservador de vino a la fuente de alimentación, déjelo en posición vertical durante aproximadamente 2 horas. Esto reducirá la posibilidad de un mal funcionamiento del sistema de refrigeración por la manipulación durante el transporte.
- Limpie la superficie interior con agua tibia utilizando un paño suave.
- Instale el asa en el lado izquierdo de la puerta.

Instalación del conservador de vino

- Este aparato está diseñado para su instalación libre o empotrada.
- Coloque el conservador de vino en un suelo que sea lo suficientemente fuerte como para soportarlo cuando esté completamente cargado. Para nivelar su conservador de vino, ajuste la pata de nivelación delantera en la parte inferior del conservador de vino.
- Coloque el conservador de vino lejos de la luz solar directa y de fuentes de calor (estufa, calentador, radiador, etc.). La luz solar directa puede afectar al revestimiento acrílico y las fuentes de calor pueden aumentar el consumo eléctrico. Las temperaturas ambientales extremadamente frías también pueden hacer que la unidad no funcione correctamente.
- Evite situar la unidad en zonas húmedas.
- Enchufe el conservador de vino en un enchufe de pared de uso exclusivo para el mismo. Asegúrese de que está correctamente instalado y con conexión a tierra. En ningún caso corte o retire la tercera clavija (de tierra) del cable de alimentación. Cualquier pregunta relacionada con la alimentación y/o la conexión a tierra debe dirigirse a un electricista certificado o a un centro de servicio de productos autorizado.

Conexión eléctrica

⚡ Advertencia ⚡: El uso inadecuado del enchufe con toma de tierra puede suponer un riesgo de descarga eléctrica. Si el cable de alimentación está dañado, solicite que un centro de servicio autorizado lo repare.

Este aparato debe estar correctamente conectado a tierra para su seguridad. El cable de alimentación de este aparato está equipado con un enchufe de tres clavijas que se acopla a las tomas de corriente estándar de tres clavijas para minimizar la posibilidad de descargas eléctricas.

En ningún caso corte o retire la tercera clavija de tierra del cable de alimentación suministrado. Para la seguridad de las personas, este aparato debe estar correctamente conectado a tierra.

Este aparato requiere una toma de corriente estándar de 220V/50Hz con tres clavijas. Solicite que un electricista cualificado revise la toma de corriente y el circuito para asegurarse de que la toma de corriente está correctamente conectada a tierra. Cuando se encuentre un toma de corriente de pared estándar de 2 clavijas, es su responsabilidad y obligación reemplazarla por una toma de corriente con conexión a tierra.

Enchufe de pared de 3 clavijas. El cable debe asegurarse detrás del aparato y no dejarlo expuesto o colgando para evitar lesiones accidentales.

El aparato debe conectarse siempre a su propia toma de corriente individual que tenga una tensión nominal que coincida con la etiqueta de clasificación del aparato. Esto proporciona el mejor rendimiento y también evitar la sobrecarga de los circuitos de cableado de la casa que podría causar un peligro de incendio por sobrecalentamiento. No desenchufe nunca el aparato tirando del cable de alimentación. Agarre siempre el enchufe con firmeza y sáquelo directamente del receptáculo. Repare o sustituya inmediatamente todos los cables de alimentación que se hayan deshilachado o dañado de alguna manera. No utilice un cable que presente grietas o daños por abrasión a lo largo de su longitud o en cualquiera de sus extremos. Al mover el aparato, tenga cuidado de no dañar el cable de alimentación.

Cable alargador

Debido a los riesgos potenciales de seguridad bajo ciertas condiciones, se recomienda encarecidamente no utilizar un cable alargador con este aparato. Sin embargo, si tiene que utilizar un cable alargador, es absolutamente necesario que sea un cable alargador de 3 hilos con conexión a tierra que tenga un enchufe y una toma de corriente con conexión a tierra y que la capacidad eléctrica del cable sea de 220 voltios y al menos 13 amperios.

Barra de alimentación con protección contra sobretensiones

La mayoría de los aparatos eléctricos utilizan una serie de cuadros eléctricos para funcionar. Estas placas son muy susceptibles a las subidas de tensión y podrían dañarse o destruirse.

Si el aparato se va a utilizar en una zona o si su ciudad/país es propenso a las subidas de tensión/cortes; se sugiere que utilice un protector contra sobretensiones para todos los dispositivos/aparatos eléctricos que utilice. El protector de sobretensión que elija debe tener un bloqueo de sobretensión lo suficientemente alto como para proteger el aparato al que está conectado. Si tiene alguna duda sobre el tipo y el tamaño del protector de sobretensión necesario, póngase en contacto con un electricista autorizado de su zona.

Los daños debidos a subidas de tensión no se consideran un defecto cubierto por el fabricante y anulan la garantía del producto.

FUNCIONAMIENTO DEL CONSERVADOR DE VINO

Se recomienda instalar el conservador de vino en un lugar donde la temperatura ambiente esté entre 19 °C-24 °C (66 °F-75 °F), y la humedad sea inferior al 60 %. Si la temperatura ambiente es superior o inferior a la recomendada, el rendimiento de la unidad puede verse afectado. Por ejemplo, colocar su unidad en condiciones de frío o calor extremos puede hacer que la temperatura interior fluctúe. Es posible que no se alcance el rango de 5 °C-18 °C (41 °F-65 °F).

Ajustes de temperatura recomendados

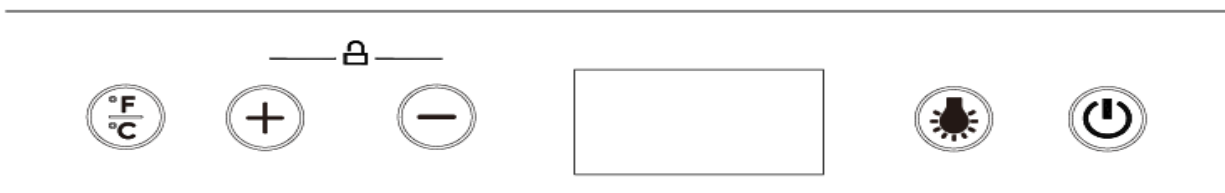
Conservación del vino: 12 °C-14 °C (53 °F-57 °F)

Vinos rosados y espumosos: 5 °C-8 °C (41 °F-46 °F)





Vinos secos/blancos: 9 °C-12 °C (48 °F-53 °F)

Vinos tintos: 14 °C-18 °C (59 °F-65 °F)

*La temperatura en °C puede variar entre < + 2 °C



Rango de ajuste de temperatura: 5-18 °C (41-65 °F)

	Enciende o apaga la luz interior
	Ajusta la temperatura en incrementos de 1 grado Ajusta la temperatura en decrementos de 1 grado
	Cambia la visualización de la temperatura entre Celsius y Fahrenheit
	Pulse durante 3 segundos para encender/apagar el aparato

Almacenamiento

Muchas botellas pueden diferir en tamaño y dimensiones. Por ello, el número real de botellas que puede almacenar puede variar. Puede colocar 32 botellas estándar en RVF 10032 y 51 botellas en RVF 10051.

Limpeza del conservador de vino

Apague el aparato, desenchúfelo y retire todos los objetos, incluidos los estantes. Lave las superficies interiores con una solución de agua tibia y bicarbonato de sodio. La solución debe ser de unas 2 cucharadas de bicarbonato por cada taza de agua.

Lave los estantes con una solución de detergente suave. Escurra el exceso de agua de la esponja o del paño cuando limpie la zona de los mandos, o cualquier parte eléctrica.

Lave el armario por la parte exterior con agua tibia y detergente líquido suave. Aclarar bien y secar con un paño limpio y suave. No utilice lana de acero o cepillo de acero en el acero inoxidable. Estos contaminarán el acero inoxidable con partículas de acero y puede producirse oxidación.

Estantes

Para retirar los estantes de la guía, tire de cada estante hacia el poste del estante, como se muestra en la figura A. Levántelo de nuevo y luego tire lentamente del estante hacia afuera, como se muestra en la figura B.

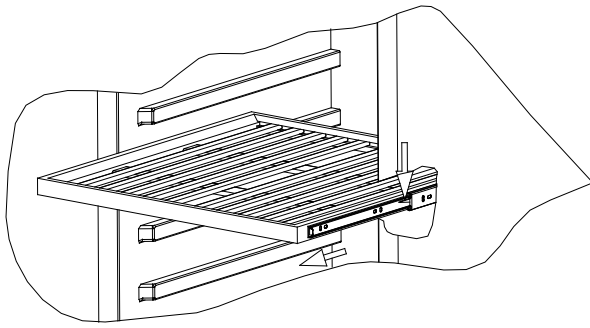


Figura A

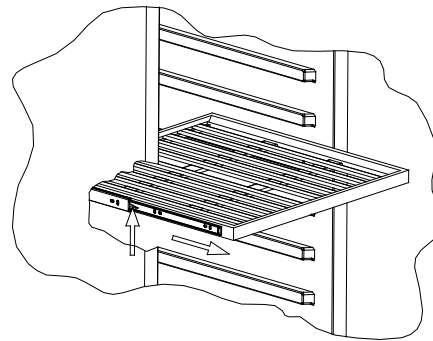


Figura B

Corte de alimentación

La mayoría de los cortes de luz se corrigen en pocas horas y no deberían afectar a la temperatura del aparato si minimiza el número de veces que se abre la puerta. Si la electricidad va a estar cortada durante un período de tiempo prolongado, debe tomar las medidas adecuadas para proteger su contenido.

Traslado del conservador de vino

- Retire todos los elementos (botellas)
- Fije con cinta adhesiva todos los objetos sueltos (estantes) dentro de su aparato.
- Gire la pata ajustable hasta la base para evitar daños.
- Cierre la puerta con cinta adhesiva.
- Asegúrese de que el aparato se mantiene en posición vertical durante el transporte. Si es absolutamente necesario transportar en conservador de vino horizontalmente, transpórtelo de espaldas (con la puerta hacia arriba). Proteja también el exterior del aparato con una manta o elemento similar.

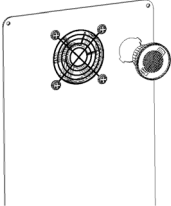
Consejos de ahorro de energía

El conservador de vino debe situarse en la zona más fresca de la habitación, lejos de los electrodomésticos que producen calor y fuera de la luz solar directa.

Sistema de filtración de carbón


Su vino es un objeto vivo que respira a través del corcho de su botella. Para preservar la calidad y el sabor de sus vinos finos, deben almacenarse a la temperatura y en las condiciones ambientales ideales. Su bodega está equipada con un sistema de filtración de carbón activo para garantizar la pureza del aire, la eficacia de la refrigeración y mantener un armario libre de olores para el almacenamiento de sus vinos finos. El conjunto del filtro se encuentra en el panel trasero del interior de su bodega.

Tenga en cuenta que este filtro debe cambiarse cada 12 meses.

1	Retire las botellas de vino almacenadas en los dos (2) estantes frente al filtro.	 <p>Gire a la izquierda para quitar el filtro.</p>
2	Retire los estantes y apártelos para volver a colocarlos una vez que haya cambiado el filtro.	
3	Sujete el filtro y gírelo 45 grados en el sentido contrario a las agujas del reloj y luego sáquelo.	
4	Retire el filtro existente y sustitúyalo por uno nuevo.	
5	Coloque el nuevo filtro en el orificio y luego gire el filtro a 45 grados en el sentido de las agujas del reloj.	

GUÍA PARA LA RESOLUCIÓN DE PROBLEMAS

Puede solucionar fácilmente muchos de los problemas habituales de los conservadores de vino, ahorrando el coste de una posible llamada al servicio técnico. Pruebe las siguientes sugerencias para ver si puede solucionar el problema antes de llamar al servicio técnico.

PROBLEMA	POSIBLE CAUSA	SOLUCIÓN
El conservador de vino no funciona.	No está enchufado. El aparato está apagado. El disyuntor se ha disparado o se ha fundido un fusible.	Enchufe la unidad. Pulse  para encender la unidad. Compruebe el disyuntor y/o los fusibles.
El conservador de vino no está lo suficientemente frío.	El entorno externo puede requerir un ajuste mayor. La puerta se abre muy a menudo. La puerta no está cerrada completamente. La junta de la puerta no sella correctamente.	Compruebe el ajuste del control de temperatura. Cierre bien la puerta. Compruebe la junta de la puerta.

<p>El compresor se enciende y se apaga con frecuencia.</p>	<p>La temperatura ambiente es más alta de lo normal. Se ha añadido una gran cantidad de contenido al conservador de vino. La puerta se abre muy a menudo. La puerta no está cerrada completamente. El control de la temperatura no está ajustado correctamente. La junta de la puerta no sella correctamente.</p>	<p>Cierre bien la puerta. Compruebe la junta de la puerta.</p>
<p>Los ventiladores se encienden y se apagan con frecuencia.</p>	<p>Para hacer circular el aire y mantener la temperatura fijada en el interior del armario, los ventiladores deben encenderse y apagarse incluso cuando el compresor está apagado. Los ventiladores se encenderán y apagarán mientras el compresor está apagado aproximadamente cada 10 segundos, esto se llama «estado de semivelocidad». Este ciclo es normal y está destinado tanto a hacer circular el aire como a garantizar el funcionamiento continuo de los ventiladores. Si el ventilador se detiene completamente y no completa este ciclo, el ventilador no está operativo.</p>	
<p>La luz no funciona.</p>	<p>No está enchufado. El disyuntor se ha disparado o se ha fundido un fusible. El botón de la luz está en «OFF».</p>	<p>Enchufe la unidad. Compruebe el disyuntor y/o los fusibles.</p>

<p>Vibraciones.</p>	<p>El conservador de vino no está nivelado Las botellas vibran. Hay un objeto debajo del conservador de vino.</p>	<p>Compruebe que el conservador de vino está nivelado. Asegúrese de que las botellas no se tocan entre sí. Retire el objeto.</p>
<p>El conservador de vino parece hacer demasiado ruido.</p>	<p>El conservador de vino no está nivelado.</p>	<p>Nivele el conservador de vino. El ruido ocasionado por la vibración puede provenir del flujo del refrigerante, lo cual es normal. Al finalizar cada ciclo, es posible que escuche sonidos de gorgoteo causados por el flujo de refrigerante en el conservador de vino. La contracción y la expansión de las paredes interiores pueden provocar ruidos de estallidos y crujidos.</p>

<p>La puerta no se cierra correctamente.</p>	<p>El conservador de vino no está nivelado. La puerta estaba invertida y no estaba bien instalada. La junta está sucia. Los estantes están fuera de posición.</p>	<p>Nivele el conservador de vino. Cierre bien la puerta. Limpie la junta de la puerta. Coloque los estantes correctamente.</p>
<p>Código de error: E1-E2-E3- E4-E7-E8</p>	<p>Ha fallado un sensor.</p>	<p>Póngase en contacto con nosotros para una llamada de servicio.</p>

TEKA

MANUAL DE INSTRUÇÕES

RVF 10051 GBK

RVF 10032 GBK

ÍNDICE

SEGURANÇA DO REFRIGERADOR DE VINHO	3
GUIAS DE SEGURANÇA IMPORTANTES	4
AVISOS SOBRE O GÁS REFRIGERANTE	5
DETALHAMENTO DAS PEÇAS	6
INSTRUÇÕES DE SEGURANÇA IMPORTANTES	7
INSTRUÇÕES DE INSTALAÇÃO	7
Antes de utilizar seu refrigerador de vinho	7
Instalação de seu refrigerador de vinho	7-8
Conexão elétrica	8
Cabo de extensão	8
Barra de energia com proteção contra surtos	8-9
OPERANDO SEU REFRIGERADOR DE VINHO	9
Definições de temperatura recomendadas	9
Armazenamento	10
Limpando seu refrigerador de vinho	10
Prateleiras	10
Falha de alimentação elétrica	10
Movendo seu refrigerador de vinho	11
Dicas de economia de energia	11
Sistema de filtração de carvão	11
GUIA DE RESOLUÇÃO DE PROBLEMAS	12-13

SEGURANÇA DO REFRIGERADOR DE VINHO

Sua segurança e a segurança de outros é muito importante.

Fornecemos muitas mensagens de segurança importantes neste manual e no seu aparelho. Sempre leia e obedeça todas as mensagens de segurança.



Este é o Símbolo de Alerta de Segurança. Este símbolo alerta você sobre riscos potenciais que podem matar ou lesionar você e outros. Todas as mensagens de segurança seguirão o Símbolo de Alerta de Segurança e qualquer uma das palavras “PERIGO”, “AVISO” ou “ATENÇÃO”.



Perigo significa que falha em cumprir com esta declaração de segurança pode resultar em lesão pessoal séria ou morte.



Aviso significa que falha em cumprir com esta declaração de segurança pode resultar em danos extensivos no produto, lesão pessoal grave ou morte.

CAUTION

Atenção significa que falha em cumprir com esta declaração de segurança pode resultar em lesão pessoal menor ou moderada, ou danos à propriedade ou no equipamento.

Todas as mensagens de segurança alertarão você sobre qual é o risco potencial, dirão a você como reduzir a chance de lesão e irá deixá-lo saber o que pode acontecer se as instruções não forem seguidas.

GUIAS DE SEGURANÇA IMPORTANTES



Antes de o aparelho ser utilizado, deve ser adequadamente posicionado e instalado conforme descrito neste manual, sendo assim, leia cautelosamente o manual. Para reduzir o risco de incêndios, choque elétrico ou lesão ao utilizar o seu aparelho, siga estas precauções básicas, incluindo as seguintes:



- Conecte em uma tomada de três pinos aterrada, não remova o pino de aterramento, não utilize um adaptador e não utilize um cabo de extensão.
- Substitua todos os painéis antes da operação.
- Recomenda-se que um circuito separado, servindo apenas seu aparelho seja fornecido. Utilize recetáculos que não podem ser desligados por meio de um interruptor ou uma cadeia de acionamento.
- Nunca limpe as peças do aparelho com líquidos inflamáveis. Os fumos podem causar um risco de incêndio ou explosão. Não armazene nem utilize gasolina ou outros vapores e líquidos inflamáveis nas proximidades deste ou de qualquer outro aparelho. Os fumos podem causar um risco de incêndio ou explosão.
- Antes de proceder com as operações de limpeza e manutenção, assegure que uma linha de alimentação da unidade seja desconectada.
- Não conecte nem desconecte a ficha elétrica quando suas mãos estiverem molhadas.
- Desconecte o aparelho ou desconecte a alimentação antes de limpar ou realizar manutenção. Falha em fazer isso pode resultar em choque elétrico ou morte.
- Não tente reparar ou substituir nenhuma peça do seu aparelho a não ser que seja recomendado especificamente neste material. Todos os outros reparos devem ser encaminhados para um técnico qualificado.

WARNING

- Utilize duas ou mais pessoas para movimentar e instalar o aparelho. Falha em fazer isso pode resultar em lesão nas costas ou outras lesões.
- Para assegurar uma ventilação apropriada para seu aparelho, a frente da unidade deve estar completamente desobstruída. Escolha uma área bem ventilada com temperaturas acima de 16°C (60°F) e abaixo de 32°C (90°F). Esta unidade deve ser instalada em uma área protegida de elementos como vento, chuva, sprays ou gotejamentos de água.
- O aparelho não deve estar localizado próximo a fornos, grelhas ou outras fontes de alto calor.
- O aparelho deve ser instalado com todas as conexões elétricas, água e dreno de acordo com os códigos estaduais e locais. Uma fonte elétrica padrão (220V/50Hz) adequadamente aterrada de acordo com o Código Elétrico Nacional e códigos e ordenanças locais é necessária.
- Não dobre ou esmague a fonte de alimentação do aparelho.
- O tamanho do fusível (ou disjuntor) deve ser de 13 amperes.
- É importante que o aparelho esteja nivelado para funcionar adequadamente. Você pode precisar fazer vários ajustes para o nivelar.
- Nunca permita que as crianças usem, brinquem ou entrem no aparelho.
- Não utilize agentes de limpeza baseados em solventes de abrasivos no interior. Esses limpadores podem danificar ou causar a descoloração do interior.
- Não utilize este aparelho para um propósito diferente do que o de seu propósito destinado.

GÁS REFRIGERANTE INFLAMÁVEL

PERIGO - Risco de incêndio ou explosão. Refrigerante inflamável utilizado.

NÃO utilize dispositivos mecânicos para descongelar o refrigerador. NÃO faça furos na tubulação refrigerante.

PERIGO - Risco de incêndio ou explosão. Refrigerante inflamável utilizado. Deve ser reparado apenas por pessoal de manutenção treinado. NÃO faça furos na tubulação refrigerante.

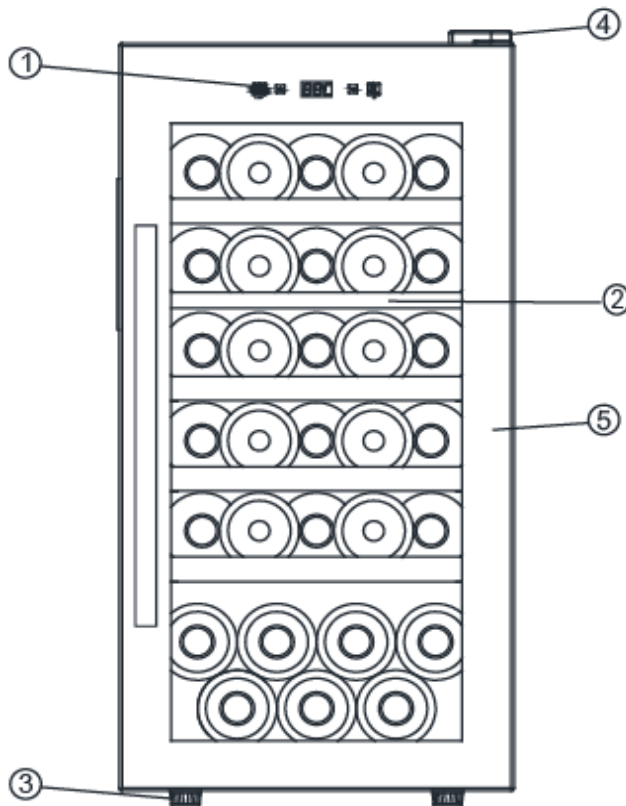
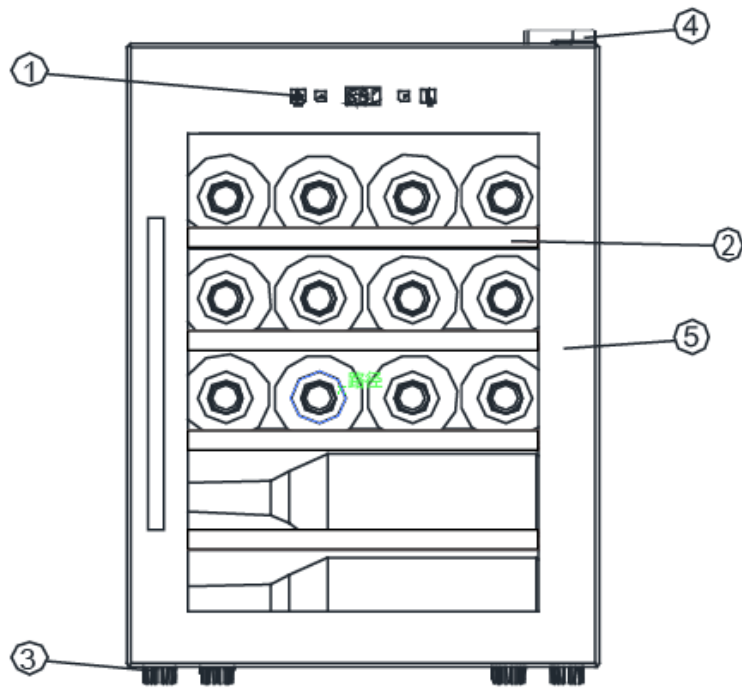
ATENÇÃO - Risco de incêndio ou explosão. Refrigerante inflamável utilizado. Consulte o manual de reparo/guia do proprietário antes de tentar fazer manutenção neste produto. Todas as precauções de segurança devem ser seguidas.

ATENÇÃO - Risco de incêndio ou explosão. Descarte de propriedade de acordo com os regulamentos federais ou locais. Refrigerante inflamável utilizado.

ATENÇÃO - Risco de incêndio ou explosão devido a furos na tubulação refrigerante. Siga cautelosamente as instruções de manuseio. Refrigerante inflamável utilizado.

ATENÇÃO - Para prevenir uma criança de ser encurralada, mantenha fora do alcance das crianças e não nas proximidades do refrigerador.

DETALHAMENTO DAS PEÇAS



- | | | | |
|---|------------------------|---|--------------------|
| 1 | Painel de comandos | 4 | Dobradiça superior |
| 2 | Prateleiras de madeira | 5 | Porta de vidro |
| 3 | Pernas de nivelamento | | |

INSTRUÇÕES DE SEGURANÇA IMPORTANTES



Para reduzir o risco de incêndios, choques elétricos ou ferimentos ao utilizar o seu aparelho, siga estas precauções básicas:

- Leia todas as instruções antes de utilizar o refrigerador de vinho.
- **PERIGO ou AVISO:** Risco de entalamento de crianças.
O entalamento e asfixia de crianças não são problemas do passado. Aparelhos descartados ou abandonados ainda são perigosos.
- Antes de você jogar fora seu refrigerador de vinho antigo, remova a porta mas deixe as prateleiras no local de modo que as crianças não possam entrar facilmente.
- Nunca permita que as crianças usem, brinquem ou entrem para dentro do aparelho.
- Nunca limpe as peças do aparelho com líquidos inflamáveis. Os fumos podem causar um risco de incêndio ou explosão.
- Não armazene nem utilize gasolina ou outros vapores e líquidos inflamáveis nas proximidades deste ou de qualquer outro aparelho. Os fumos podem causar um risco de incêndio ou explosão.

-Guarde estas instruções-

INSTRUÇÕES DE INSTALAÇÃO

Antes de utilizar seu refrigerador de vinho

- Remova a embalagem exterior e interior.
- Verifique para se certificar que você tem todas as seguintes peças:
 - prateleiras
 - Pega de aço inoxidável
 - Manual de instruções
- Antes de ligar o Refrigerador de vinho à fonte de energia, deixe-o numa posição vertical por aproximadamente duas horas. Isto reduz a possibilidade de avarias no sistema de refrigeração causadas pelo manuseamento durante o transporte.
- Limpe a superfície interior com um pano suave e água morna.
- Instale a pega no lado esquerdo da porta.

Instalação de seu refrigerador de vinho

- Este aparelho é projetado para ser uma instalação em pé ou embutida.
- Coloque o seu refrigerador de vinho num pavimento suficientemente forte para o suportar quando estiver completamente carregado. Para nivelar o seu refrigerador de vinho, ajuste as pernas de nivelamento frontal na parte inferior do refrigerador de vinho.
- Coloque o refrigerador de vinho longe da luz solar direta e de fontes de calor (fogão, aquecedor, radiador etc.). A luz solar direta pode afetar o revestimento acrílico e as fontes de calor podem aumentar o consumo elétrico. As temperaturas ambientes extremamente frias também podem causar um mau funcionamento do aparelho.
- Evite colocar o aparelho em áreas húmidas.
- Conecte o Refrigerador de vinho em uma tomada de parede aterrada exclusiva e instalada adequadamente. Não corte nem remova, em circunstância alguma, o terceiro terminal (à terra) do cabo de alimentação. Quaisquer questões relativas à alimentação e/ou ligação à terra devem ser dirigidas a um electricista certificado ou a um Centro de Serviço de Produtos Autorizado.

Conexão elétrica

⚡ **Aviso** ⚡: Uma utilização inadequada da ficha aterrada pode resultar no risco de choque elétrico. Se o cabo de alimentação estiver danificado, substitua-o em um centro de serviços autorizado.

Este aparelho deve ser aterrado adequadamente para sua segurança. O cabo de alimentação deste aparelho é equipado com uma ficha de três pinos que é compatível com tomadas de parede de três pinos padrão para minimizar a possibilidade de choque elétrico.

Não corte nem remova, em circunstância alguma, o terceiro terminal à terra do cabo de alimentação fornecido. Para segurança pessoal, este aparelho deve ser aterrado adequadamente.

Este aparelho requer uma tomada de aterramento elétrico padrão de 220V/50Hz com três pinos. Verifique a tomada e o circuito com um eletricista qualificado para assegurar que a tomada esteja aterrada adequadamente. Quando uma tomada de parede de dois pinos padrão for encontrada, é a sua responsabilidade e obrigação a substituir com uma tomada de parede

de três pinos aterrada adequadamente. O cabo deve ser protegido atrás do aparelho e não deixado exposto ou suspenso para prevenir lesão acidental.

O aparelho deve sempre ser conectado em sua tomada elétrica individual com uma classificação de tensão que combina com o rótulo de classificação no aparelho. Isto fornece a melhor performance e previne o sobrecarregamento de circuitos de fiação da casa, o que poderia causar um risco de incêndio por superaquecimento. Nunca desconecte o aparelho ao puxar o cabo de alimentação. Sempre aperte a ficha firmemente e puxe diretamente a partir do recetáculo. Repare ou substitua imediatamente todos os cabos de alimentação que foram desgastados ou de outra forma, danificados. Não utilize um cabo que mostre ruturas ou danos de abrasão ao longo de seu comprimento ou em qualquer uma das extremidades. Quando movendo o aparelho, tome cuidado para não danificar o cabo de alimentação.

Cabo de extensão

Devido aos riscos de segurança potenciais sob determinadas condições, recomenda-se expressamente que você não utilize um cabo de extensão com este aparelho. Todavia, se você precisar utilizar um cabo de extensão, é absolutamente necessário que seja um cabo de extensão de aparelho do tipo aterramento de 3 fios com uma conexão e tomada do tipo aterramento e que a classificação elétrica do cabo seja 220 volts e no mínimo 13 amperes.

Barra de energia com proteção contra surtos

A maioria dos aparelhos elétricos utilizam uma série de placas de comandos elétricas para operação. Essas placas são muito suscetíveis a surtos de energia e poderiam ser danificadas ou destruídas.

Se o aparelho será utilizado em uma área ou se a sua cidade/país é suscetível a surtos de energia/blecautes; é sugerido que você utilize um protetor contra surtos de energia para todos os dispositivos/aparelhos elétricos que você utiliza. O protetor contra surtos que você selecionar deve ter um bloqueio contra surtos alto o suficiente para proteger o aparelho em que ele está conectado. Se você tiver alguma pergunta sobre o tipo e tamanho do protetor contra surtos necessário, entre em contato com um eletricista licenciado na sua área.

Danos devido a surtos de energia não são considerados um defeito com cobertura pelo fabricante e anularão a garantia do seu produto.

OPERANDO SEU REFRIGERADOR DE VINHO

Recomenda-se que você instale o refrigerador de vinho em um local onde a temperatura ambiente esteja entre 19°C e 24°C (66°F e 75°F) e a umidade abaixo de 60%. Se a temperatura ambiente está acima ou abaixo das temperaturas recomendadas, a performance da unidade pode ser afetada. Por exemplo, colocar sua unidade em condições frias ou quentes extremas pode fazer com que as temperaturas flutuem. A faixa de 5°C a 18°C (41°F a 65°F) pode não ser alcançada.

Definições de temperatura recomendadas

Conservação de vinho: 12°C a 14°C (53°F a 57°F)

Vinhos rosados e espumantes: 5°C a 8°C (41°F a 46°F)

Vinhos secos/brancos: 9°C a 12°C (48°F a 53°F)

Vinhos vermelhos: 14°C a 18°C (59°F a 65°F)

*O °C da temperatura pode variar entre $\leq \pm 2$ °C



Faixa de definição de temperatura: 5 a 18°C(41 a 65°F)

	Acende ou apaga a luz interna
	Ajusta a temperatura em incrementos de um (1) grau Ajusta a temperatura em decréscimos de um (1) grau
	Alterna o visor de temperatura entre Celsius e Fahrenheit
	Prime por três segundos para ligar/desligar o aparelho

Armazenamento

Muitas garrafas podem se diferenciar em tamanho e dimensões. Sendo assim, o número real de garrafas que você pode armazenar pode variar. Você pode colocar 32 garrafas padrão em RVF 10032 e 51 garrafas em RVF 10051.

Limpando seu refrigerador de vinho

Desligue a energia, desconecte o aparelho e remova todos os itens, incluindo as prateleiras. Lave as superfícies no interior com uma solução de água morna e bicarbonato de sódio. A solução deve ser cerca de duas colheres de sopa de bicarbonato de sódio para um copo de água.

Lave as prateleiras com uma solução de detergente neutro. Ao limpar a área dos controles ou outras peças elétricas, torça bem a esponja ou pano para que não tenha excesso de água.

Lave o exterior do armário com água morna e um detergente neutro líquido. Enxague bem e limpe a seco com um pano macio. Não utilize palha de aço ou escova de aço no aço inox. Isso contaminará o aço inox com partículas de aço podendo ocorrer ferrugem.

Prateleiras

Para remover as prateleiras do trilho, puxe cada prateleira para fora até o poste da prateleira, conforme mostrado na figura A. Levante novamente, em seguida puxe lentamente a prateleira para fora, conforme mostrado na figura B.

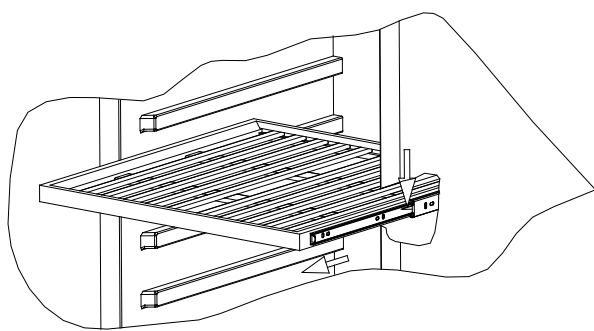


Figura A

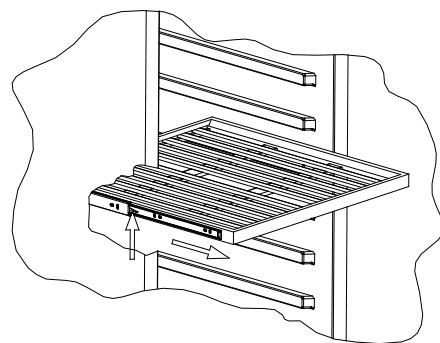


Figura B

Falha de alimentação elétrica

A maioria das falhas da alimentação elétrica é corrigida no espaço de algumas horas e não deve afetar a temperatura do seu aparelho, desde que reduza o número de vezes que a porta é aberta. Se a energia ficar desligada durante um período de tempo maior, é necessário tomar as medidas adequadas para proteger o seu conteúdo.

Movendo seu refrigerador de vinho

- Remova todos os itens (garrafas)
- Prenda firmemente todos os itens soltos (prateleiras) dentro do seu aparelho.
- Vire a perna ajustável até à base para evitar danos.
- Prenda a porta de forma que se mantenha fechada.
- Certifique-se que o aparelho fica seguro e na posição vertical durante o transporte. Se você absolutamente precisa transportar o refrigerador horizontalmente, transporte o refrigerador apoiando a parte de trás (porta para cima). Para além disso, proteja o exterior do aparelho com um cobertor ou algo semelhante.

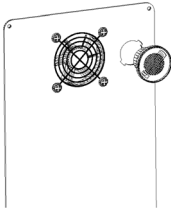
Dicas de economia de energia

O refrigerador de vinho deve ser colocado na zona mais fresca do ambiente, afastado de aparelhos que geram calor e da luz solar direta.

Sistema de filtração de carvão


Seu vinho é um objeto com vida que respira através da rolha da garrafa. Para preservar a qualidade e sabor de seus vinhos finos, eles devem ser armazenados nas condições de temperatura e ambiente ideais. Sua adega é equipada com um sistema de filtro de carvão ativo para assegurar pureza do ar, eficiência de refrigeração e para manter uma cabina livre de odor para o armazenamento de seus vinhos finos. A montagem do filtro está localizada no painel traseiro dentro de sua adega.

Mantenha em mente que este filtro deve ser alterado a cada 12 meses.

1	Remova as garrafas de vinho armazenadas nas duas (2) prateleiras na frente do filtro.	 <p>Gire para a esquerda para remover o filtro.</p>
2	Remova as prateleiras e coloque de lado para serem substituídas após você ter trocado o filtro	
3	Segure o filtro e gire-o em 45 graus no sentido anti-horário e em seguida puxe para fora.	
4	Remova o filtro existente e substitua com um novo.	
5	Coloque um novo filtro no orifício e em seguida, gire o filtro em 45 graus no sentido horário.	

GUIA DE RESOLUÇÃO DE PROBLEMAS

Muitos problemas do refrigerador de vinho são facilmente resolvidos, o que o ajuda a poupar o custo de uma possível chamada para apoio a clientes. Antes de fazer a chamada, tente as soluções abaixo para resolver o problema.

PROBLEMA	CAUSA POSSÍVEL	SOLUÇÃO
o refrigerador não opera.	<p>Não está ligado à tomada.</p> <p>O aparelho está desligado.</p> <p>O disjuntor disparou ou existe um fusível queimado.</p>	<p>Conecte a unidade.</p> <p>Prime  para ligar a unidade.</p> <p>Verifique o disjuntor e/ou fusíveis.</p>
o refrigerador não está suficientemente frio.	<p>O ambiente externo pode exigir uma definição superior.</p> <p>A porta é aberta demasiadas vezes.</p> <p>A porta não está completamente fechada.</p> <p>A vedação da porta não veda corretamente.</p>	<p>Verifique a definição do controlo da temperatura.</p> <p>Feche a porta adequadamente.</p> <p>Verifique o anel de vedação.</p>
O compressor liga-se e desliga-se frequentemente.	<p>A temperatura ambiente é superior ao habitual.</p> <p>Uma grande quantidade de conteúdo foi adicionada ao refrigerador.</p> <p>A porta é aberta demasiadas vezes.</p> <p>A porta não está completamente fechada.</p> <p>O controlo da temperatura não está definido corretamente.</p> <p>A vedação da porta não veda corretamente.</p>	<p>Feche a porta adequadamente.</p> <p>Verifique o anel de vedação.</p>
Os ventiladores ligam-se e desligam-se frequentemente.	<p>Para circular o ar e manter a temperatura interna da cabina, os ventiladores devem ser ligados e desligados mesmo quando o compressor está desligado. Os ventiladores serão LIGADOS e DESLIGADOS enquanto o compressor estiver desligado aproximadamente a cada dez segundos, isso é chamado “Estado de semi-velocidade”. Este ciclo é normal e com o propósito de circular o ar e assegurar o estado operacional continuado dos ventiladores. Se o ventilador é parado completamente e não conclui este ciclo, o ventilador não está operacional.</p>	
A luz não funciona.	<p>Não está ligado à tomada.</p> <p>O disjuntor disparou ou existe um fusível queimado.</p> <p>O botão da luz está “OFF” (desligado).</p>	<p>Conecte a unidade.</p> <p>Verifique o disjuntor e/ou fusíveis.</p>

<p>Vibrações.</p>	<p>O refrigerador não está nivelado As garrafas estão vibrando. Há um objeto sob o refrigerador.</p>	<p>Verifique para assegurar que o refrigerador está nivelado. Certifique-se que as garrafas não toquem uma à outra. Remova o objeto.</p>
<p>O refrigerador parece fazer muito barulho.</p>	<p>O refrigerador não está nivelado.</p>	<p>Nivele o refrigerador. O ruído pode ser causado pelo fluxo do refrigerante, o que é normal. À medida que cada ciclo termina, é possível que ouça algo a borbulhar; isto é causado pelo fluxo do refrigerante no seu refrigerador. A contração e expansão das paredes interiores podem causar estalidos e crepitação.</p>
<p>A porta não fecha completamente.</p>	<p>O refrigerador não está nivelado. A porta foi invertida e não foi devidamente instalada. A vedação está suja. As prateleiras não estão na posição correta.</p>	<p>Nivele o refrigerador. Feche a porta adequadamente. Limpe o anel de vedação. Coloque as prateleiras adequadamente.</p>
<p>Código de erro: E1-E2-E3- E4-E7-E8</p>	<p>Um sensor falhou.</p>	<p>Entre em contato para uma chamada para apoio a clientes.</p>

TEKA

GEBRAUCHSANWEISUNG

RVF 10051 GBK

RVF 10032 GBK

INHALTSVERZEICHNIS

SICHERHEIT VON WEINKÜHLERN	3
WICHTIGE SICHERHEITSVORKEHRUNGEN	4
KÄLTEMITTELGAS-WARNUNGEN	5
TEILEAUFSCHLÜSSELUNG	6
WICHTIGE SICHERHEITSANWEISUNGEN	7
AUFSTELLANWEISUNGEN	7
Bevor Sie Ihren Weinkühler benutzen	7
Aufstellen Ihres Weinkühlers	7 - 8
Elektrischer Anschluss	8
Verlängerungskabel	8
Stromleiste mit Überspannungsschutz	8 - 9
BETRIEB IHRES WEINKÜHLERS	9
Empfohlene Temperatureinstellungen	9
Lagerung	10
Reinigen Ihres Weinkühlers	10
Einlegeböden	10
Stromausfall	10
Transport Ihres Weinkühlers	11
Tipps zum Energiesparen	11
Aktivkohle-Filtersystem	11
ANLEITUNG ZUR FEHLERSUCHE	12 - 13

SICHERHEIT VON WEINKÜHLERN

Ihre Sicherheit und die Sicherheit Ihrer Mitmenschen ist sehr wichtig.

In dieser Anleitung und auf Ihrem Gerät finden Sie viele wichtige Sicherheitshinweise. Lesen und befolgen Sie stets alle Sicherheitshinweise.



Dies ist das Sicherheitswarnsymbol. Dieses Symbol warnt Sie vor potenziellen Gefahren, die Sie und andere Personen töten oder verletzen können. Alle Sicherheitshinweise enthalten das Sicherheitswarnsymbol und wahlweise die Wörter „GEFAHR“, „WARNUNG“ oder

„VORSICHT“.



Gefahr bedeutet, dass die Nichtbeachtung dieses Sicherheitshinweises zu schweren Verletzungen oder zum Tod führen kann.



Warnung bedeutet, dass die Nichtbeachtung dieses Sicherheitshinweises zu erheblichen Produktschäden, schweren Verletzungen oder zum Tod führen kann.



Vorsicht bedeutet, dass die Nichtbeachtung dieses Sicherheitshinweises zu leichten oder mittelschweren Verletzungen sowie zu Sach- oder Geräteschäden führen kann.

Alle Sicherheitshinweise machen Sie auf die potenzielle Gefahr aufmerksam, sagen Ihnen, wie Sie das Verletzungsrisiko verringern können, und informieren Sie darüber, was passieren kann, wenn die Anweisungen nicht befolgt werden.

WICHTIGE SICHERHEITSVORKEHRUNGEN



Bevor das Gerät in Betrieb genommen wird, muss es ordnungsgemäß aufgestellt und installiert werden, wie in dieser Anleitung beschrieben. Um das Risiko eines Brandes, eines elektrischen Schlages oder einer Verletzung bei der Verwendung des Gerätes zu verringern, sollten Sie folgende grundlegende Vorsichtsmaßnahmen beachten:



- Schließen Sie das Gerät an eine geerdete 3-polige Steckdose an, entfernen Sie den Erdungsstift nicht, verwenden Sie keinen Adapter und kein Verlängerungskabel.
- Bringen Sie vor der Inbetriebnahme alle Platten wieder an.
- Es wird empfohlen, einen separaten Stromkreis zu legen, der nur Ihr Gerät versorgt. Verwenden Sie Steckdosen, die nicht durch einen Schalter oder eine Zugkette ausgeschaltet werden können.
- Reinigen Sie Geräteteile niemals mit brennbaren Flüssigkeiten. Diese Dämpfe können eine Brand- oder Explosionsgefahr darstellen. Lagern oder verwenden Sie kein Benzin oder andere entflammbare Dämpfe und Flüssigkeiten in der Nähe dieses oder eines anderen Geräts. Die Dämpfe können eine Brand- oder Explosionsgefahr darstellen.
- Vergewissern Sie sich vor der Durchführung von Reinigungs- und Wartungsarbeiten, dass die Stromzufuhr zum Gerät unterbrochen ist.
- Schließen Sie den Stecker nicht mit nassen Händen an oder ziehen Sie ihn nicht ab.
- Ziehen Sie den Stecker aus der Steckdose oder trennen Sie das Gerät von der Stromversorgung, bevor Sie es reinigen oder warten. Andernfalls kann es zu einem elektrischen Schlag oder zum Tod kommen.
- Versuchen Sie nicht, Teile Ihres Geräts zu reparieren oder auszutauschen, es sei denn, dies wird in diesem Handbuch ausdrücklich empfohlen. Alle anderen Wartungsarbeiten sollten von einem qualifizierten Techniker durchgeführt werden.

WARNING

- Zwei oder mehr Personen sollten das Gerät bewegen und aufstellen. Andernfalls kann es zu Rücken- oder anderen Verletzungen kommen.
- Um eine gute Belüftung Ihres Geräts zu gewährleisten, muss die Vorderseite des Geräts völlig frei sein. Wählen Sie einen gut belüfteten Ort mit Temperaturen über 16 °C (60 °F) und unter 32 °C (90 °F). Dieses Gerät muss in einem Bereich aufgestellt werden, der vor Witterungseinflüssen wie Wind, Regen, Spritz- oder Tropfwasser geschützt ist.
- Das Gerät sollte nicht in der Nähe von Öfen, Grills oder anderen starken Hitzequellen aufgestellt werden.
- Das Gerät muss so aufgestellt werden, dass alle Strom-, Wasser- und Abwasseranschlüsse den staatlichen und örtlichen Vorschriften entsprechen. Eine Standardstromversorgung (220 V/50 Hz) mit ordnungsgemäßer Erdung gemäß dem National Electrical Code und den örtlichen Vorschriften und Verordnungen ist erforderlich.
- Knicken oder quetschen Sie nicht das Netzkabel des Geräts.
- Die Bemessung der Sicherung (oder des Schutzschalters) sollte 13 Ampere betragen.
- Es ist wichtig, dass das Gerät nivelliert ist, damit es richtig funktioniert. Möglicherweise müssen Sie mehrere Anpassungen vornehmen, um es zu nivellieren.
- Erlauben Sie Kindern niemals, das Gerät zu bedienen, damit zu spielen oder in das Innere des Geräts zu krabbeln.
- Verwenden Sie keine lösungsmittelhaltigen Reinigungsmittel oder Scheuermittel für den Innenraum. Diese Reinigungsmittel können die Innenausstattung beschädigen oder verfärben.
- Verwenden Sie dieses Gerät nicht für einen anderen als den vorgesehenen Zweck.

ENTZÜNDBARES KÜHLMITTELGAS

GEFAHR – Brand- oder Explosionsgefahr. Es wird ein entflammbares Kältemittel verwendet.

KEINE mechanischen Geräte zum Abtauen des Weinkühlers verwenden. Kältemittelleitungen NICHT durchstechen.

GEFAHR – Brand- oder Explosionsgefahr. Es wird ein entflammbares Kältemittel verwendet. Darf nur von geschultem Servicepersonal repariert werden. Kältemittelleitungen NICHT durchstechen.

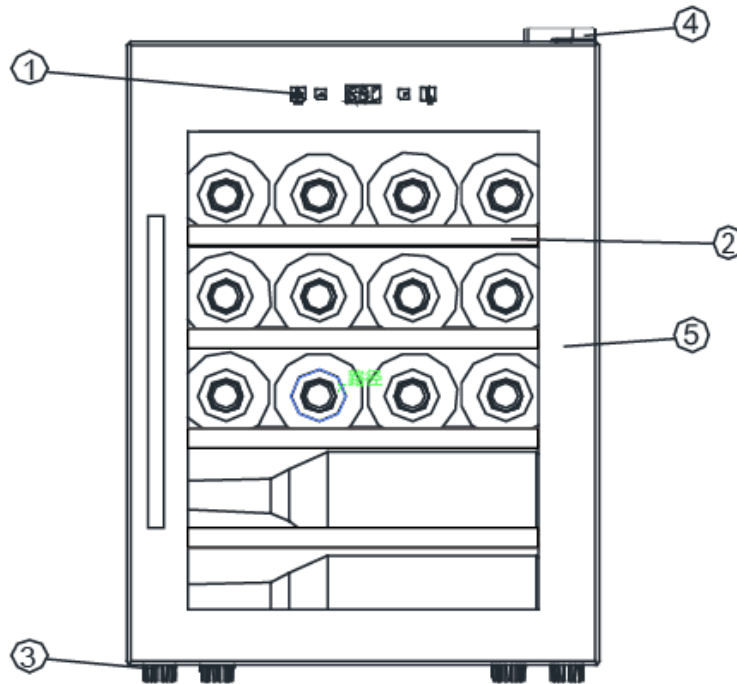
VORSICHT – Brand- oder Explosionsgefahr. Es wird ein entflammbares Kältemittel verwendet. Ziehen Sie das Reparaturhandbuch/Benutzerhandbuch zu Rate, bevor Sie versuchen, dieses Produkt zu warten. Alle Sicherheitsvorkehrungen müssen eingehalten werden.

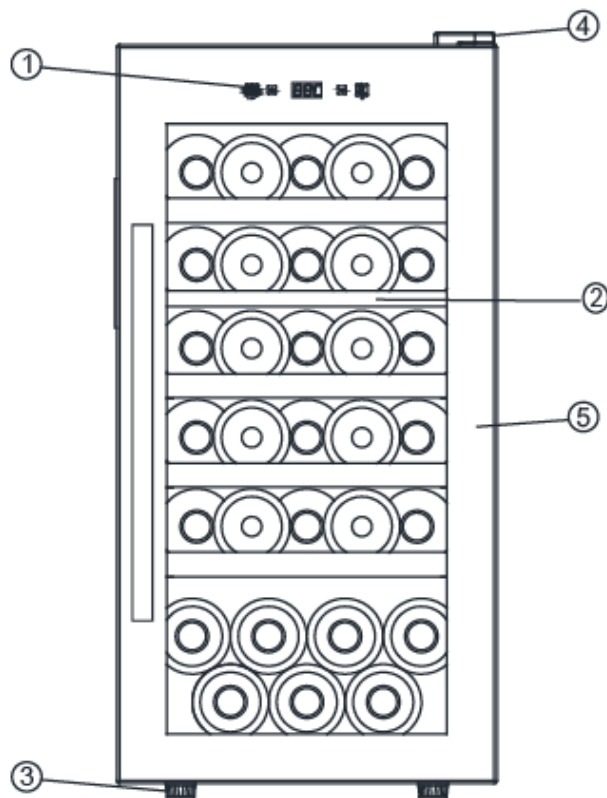
VORSICHT – Brand- oder Explosionsgefahr. Entsorgen Sie das Eigentum in Übereinstimmung mit den bundesstaatlichen oder örtlichen Vorschriften. Es wird ein entflammbares Kältemittel verwendet.

VORSICHT – Brand- oder Explosionsgefahr bei Durchstechen der Kältemittelleitungen. Befolgen Sie bitte genau die Bedienungsanleitung. Es wird ein entflammbares Kältemittel verwendet.

VORSICHT – Um zu verhindern, dass ein Kind eingeklemmt wird, hindern Sie Kinder daran, in die Nähe des Weinkühlers zu kommen.

TEILEAUFSCHLÜSSELUNG





- | | | | |
|---|-----------------------|---|------------------|
| 1 | Bedienfeld | 4 | Oberes Scharnier |
| 2 | Hölzerne Einlegeböden | 5 | Glastür |
| 3 | Nivellierfüße | | |

WICHTIGE SICHERHEITSANWEISUNGEN

⚡ WARNUNG ⚡

Befolgen Sie die folgenden grundlegenden Vorsichtsmaßnahmen, um die Gefahr von Bränden, elektrischen Schlägen oder Verletzungen bei der Verwendung Ihres Geräts zu verringern:

- Lesen Sie alle Anweisungen, bevor Sie den Weinkühler benutzen.
- **GEFAHR oder WARNUNG:** Gefahr des Einklemmens von Kindern.
Das Einklemmen und Ersticken von Kindern bildet auch heute noch eine Gefahr. Ausrangierte oder verlassene Geräte sind immer noch gefährlich.
- Bevor Sie Ihren alten Weinkühler entsorgen, nehmen Sie die Tür ab, aber lassen Sie die Einlegeböden an ihrem Platz, damit Kinder nicht so leicht hineinklettern können.
- Erlauben Sie Kindern niemals, das Gerät zu bedienen, damit zu spielen oder in das Innere des Geräts zu krabbeln.
- Reinigen Sie Geräteteile niemals mit brennbaren Flüssigkeiten. Die Dämpfe können eine Brand- oder Explosionsgefahr darstellen.
- Lagern oder verwenden Sie kein Benzin oder andere entflammbare Dämpfe und Flüssigkeiten in der Nähe dieses oder eines anderen Geräts. Die Dämpfe können eine Brand- oder Explosionsgefahr darstellen.

-Bewahren Sie diese Anweisungen auf-

AUFSTELLANWEISUNGEN

Bevor Sie Ihren Weinkühler benutzen

- Entfernen Sie die äußere und innere Verpackung.
- Vergewissern Sie sich, dass Sie alle der folgenden Teile haben:
 - Einlegeböden
 - Edelstahlgriff
 - Gebrauchsanweisung
- Bevor Sie den Weinkühler an die Stromversorgung anschließen, lassen Sie ihn für ca. zwei Stunden aufrecht stehen. Dadurch wird die Möglichkeit einer Störung des Kühlsystems durch die Handhabung während des Transports verringert.
- Reinigen Sie die Innenfläche mit lauwarmem Wasser und einem weichen Tuch.
- Montieren Sie den Griff auf der linken Seite der Tür.

Aufstellen Ihres Weinkühlers

- Dieses Gerät ist für den freistehenden Einbau oder für die Unterputzmontage vorgesehen.
- Stellen Sie Ihren Weinkühler auf einen Untergrund, der stabil genug ist, um ihn bei voller Beladung zu tragen. Um Ihren Weinkühler zu nivellieren, stellen Sie den vorderen Nivellierfuß an der Unterseite des Weinkühlers ein.
- Stellen Sie den Weinkühler entfernt von direkter Sonneneinstrahlung und Wärmequellen (Ofen, Heizung, Heizkörper usw.) auf. Direkte Sonneneinstrahlung kann die Acrylbeschichtung beeinträchtigen und

Wärmequellen können den Stromverbrauch erhöhen. Außerdem können extrem kalte Umgebungstemperaturen dazu führen, dass das Gerät nicht richtig funktioniert.

- Stellen Sie das Gerät nicht an einer feuchten Stelle auf.
- Schließen Sie den Weinkühler an eine separate, ordnungsgemäß installierte und geerdete Wandsteckdose an. Entfernen Sie unter keinen Umständen den dritten (geerdeten) Anschluss des Netzkabels. Alle Fragen zur Stromversorgung und/oder Erdung sollten an einen zertifizierten Elektriker oder ein autorisiertes Produkt-Service-Center gerichtet werden.

Elektrischer Anschluss

⚡Warnung⚡: Bei unsachgemäßer Verwendung des geerdeten Steckers besteht die Gefahr eines Stromschlags. Wenn das Netzkabel beschädigt ist, lassen Sie es von einer autorisierten Reparaturwerkstatt austauschen.

Dieses Gerät sollte zu Ihrer Sicherheit ordnungsgemäß geerdet werden. Das Netzkabel dieses Geräts ist mit einem dreipoligen Stecker ausgestattet, der an normale dreipolige Steckdosen angeschlossen werden kann, um die Gefahr eines Stromschlags zu minimieren.

Entfernen Sie unter keinen Umständen den dritten (geerdeten) Anschluss des mitgelieferten Netzkabels. Zur persönlichen Sicherheit muss das Gerät ordnungsgemäß geerdet werden.

Dieses Gerät benötigt eine Standard-220-V/50-Hz Steckdose mit dreipoligem Stecker. Lassen Sie die Steckdose und den Stromkreis von einem qualifizierten Elektriker überprüfen, um sicherzustellen, dass die Steckdose richtig geerdet ist. Wenn es nur eine 2-polige Standardsteckdose gibt, sind Sie dafür verantwortlich und verpflichtet, diese durch eine ordnungsgemäß geerdete 3-polige

Wandsteckdose zu ersetzen. Das Kabel sollte hinter dem Gerät befestigt werden und nicht frei liegen oder baumeln, um versehentliche Verletzungen zu vermeiden.

Das Gerät sollte immer an eine eigene Steckdose angeschlossen werden, deren Spannung mit dem Typenschild auf dem Gerät übereinstimmt. Dies bietet die beste Leistung und verhindert auch eine Überlastung der Hausstromkreise, die durch Überhitzung zu einer Brandgefahr führen könnte. Ziehen Sie niemals am Netzkabel, um das Gerät vom Stromnetz zu trennen. Fassen Sie den Stecker immer fest an und ziehen Sie ihn gerade aus der Steckdose. Reparieren oder ersetzen Sie sofort alle ausgefranst oder anderweitig beschädigten Netzkabel. Verwenden Sie keine Schnur, die in der Länge oder an einem Ende Risse oder Abriebschäden aufweist. Achten Sie beim Transport des Geräts darauf, dass das Netzkabel nicht beschädigt wird.

Verlängerungskabel

Wegen möglicher Sicherheitsrisiken unter bestimmten Bedingungen wird dringend davon abgeraten, ein Verlängerungskabel mit diesem Gerät zu verwenden. Wenn Sie jedoch ein Verlängerungskabel verwenden müssen, ist es unbedingt erforderlich, dass es sich um ein 3-adriges geerdetes Verlängerungskabel mit einem geerdeten Stecker und einer geerdeten Steckdose handelt und dass das Kabel für 220 V und mindestens 13 A ausgelegt ist.

Stromleiste mit Überspannungsschutz

Die meisten Elektrogeräte arbeiten mit einer Reihe von elektrischen Schaltplatinen. Diese Platinen sind sehr anfällig für Überspannungen und können beschädigt oder zerstört werden.

Wenn das Gerät in einem Gebiet oder in einer Stadt bzw. einem Land verwendet werden soll, in dem es häufig zu Überspannungen bzw. Stromausfällen kommt, sollten Sie einen Überspannungsschutz für alle von Ihnen verwendeten elektrischen Geräte verwenden. Der von Ihnen gewählte Überspannungsschutz muss einen ausreichend hohen Überspannungsschutz aufweisen, um das angeschlossene Gerät zu schützen. Wenn Sie Fragen zur Art und Größe des benötigten Überspannungsschutzes haben, wenden Sie sich an einen zugelassenen Elektriker in Ihrer Nähe.

Schäden, die durch Stromstöße verursacht werden, gelten nicht als vom Hersteller abgedeckter Defekt und führen zum Erlöschen der Produktgarantie.

BETRIEB IHRES WEINKÜHLERS

Es wird empfohlen, den Weinkühler an einem Ort aufzustellen, an dem die Umgebungstemperatur zwischen 19 °C - 24 °C (66 °F - 75 °F) und die Luftfeuchtigkeit unter 60 % liegt. Wenn die Umgebungstemperatur über oder unter den empfohlenen Temperaturen liegt, kann die Leistung des Geräts beeinträchtigt werden. Wenn Sie Ihr Gerät beispielsweise in extrem kalten oder heißen Umgebungen aufstellen, kann die Innentemperatur schwanken. Der Bereich von 5 °C - 18 °C (41 °F - 65 °F) sollte nicht erreicht werden.

Empfohlene Temperatureinstellungen

Aufbewahrung von Weinen: 12 °C - 14 °C (53 °F - 57 °F)

Rosé und Schaumweine: 5 °C - 8 °C (41 °F - 46 °F)




Trockene Weine/Weißweine: 9 °C - 12 °C (48 °F - 53 °F)

Rotweine: 14 °C - 18 °C (59 °F - 65 °F)

*Temperatur in °C kann um ± 2 °C schwanken



Temperatureinstellbereich: 5 - 18 °C(41 - 65 °F)

	Schaltet die Innenbeleuchtung ein oder aus
	Erhöht die Temperatur in 1-Grad-Schritten Verringert die Temperatur in 1-Grad-Schritten
	Schaltet die Temperaturanzeige zwischen Celsius und Fahrenheit um



3 Sekunden lang drücken, um das Gerät ein-/auszuschalten

Lagerung

Viele Flaschen können sich in Größe und Abmessungen unterscheiden. Daher kann die tatsächliche Anzahl der Flaschen, die Sie lagern können, variieren. Sie können 30 Standardflaschen in diesen Weinkühler stellen.

Reinigen Ihres Weinkühlers

Schalten Sie das Gerät aus, ziehen Sie den Netzstecker und entfernen Sie alle Gegenstände einschließlich Einlegeböden. Reinigen Sie die Innenflächen mit einer Lösung aus warmem Wasser und Backpulver. Lösen Sie dazu etwa zwei Esslöffel Natron in einem Viertelliter Wasser auf.

Reinigen Sie die Einlegeböden mit einer milden Spülmittellösung. Wringen Sie überschüssiges Wasser aus dem Schwamm oder Tuch aus, wenn Sie den Bereich der Bedienelemente oder elektrische Teile reinigen.

Reinigen Sie den Außenschrank mit warmem Wasser und einem milden Flüssigwaschmittel. Spülen Sie ihn gut nach und wischen Sie ihn mit einem sauberen, weichen Tuch trocken. Verwenden Sie keine Stahlwolle oder Stahlbürste für den rostfreien Stahl. Diese verunreinigen den rostfreien Stahl mit Stahlpartikeln und es kann zu Rostbildung kommen.

Einlegeböden

Um die Einlegeböden aus der Schiene zu entfernen, ziehen Sie jeden Einlegeboden bis zur Stütze heraus (siehe Abbildung A). Heben Sie den Einlegeboden wieder an und ziehen Sie ihn langsam heraus (siehe Abbildung B).

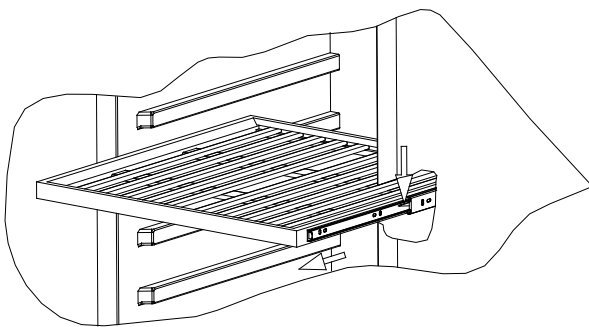


Abbildung A

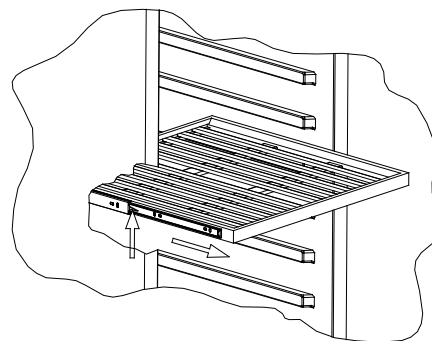


Abbildung B

Stromausfall

Die meisten Stromausfälle werden innerhalb weniger Stunden behoben und sollten keinen Einfluss auf die Temperatur Ihres Geräts haben, wenn Sie die Anzahl der Türöffnungen minimieren. Wenn der Strom für einen längeren Zeitraum ausfällt, müssen Sie die richtigen Maßnahmen ergreifen, um Ihren Wein zu schützen.

Transport Ihres Weinkühlers

- Entfernen Sie den gesamten Inhalt (Flaschen).
- Befestigen Sie alle losen Teile (Einlegeböden) im Inneren des Geräts mit Klebeband.
- Drehen Sie den verstellbaren Fuß nach oben, um Beschädigungen daran zu vermeiden.
- Verschließen Sie die Tür mit Klebeband.
- Achten Sie darauf, das Gerät während des Transports sicher in aufrechter Position zu halten. Wenn Sie das Gerät unbedingt horizontal transportieren müssen, transportieren Sie es auf der Rückseite (Tür nach oben). Schützen Sie die Außenseiten des Geräts mit einer Decke oder Ähnlichem.

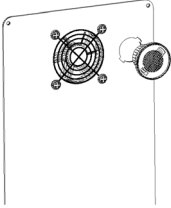
Tipps zum Energiesparen

Der Weinkühler sollte im kühlfsten Bereich des Raumes, weit weg von wärmeerzeugenden Geräten und ohne direkte Sonneneinstrahlung aufgestellt werden.

Aktivkohle-Filtersystem


Ihr Wein ist ein lebendiges Produkt, das durch den Korken seiner Flasche atmet. Um die Qualität und den Geschmack Ihrer edlen Weine zu erhalten, müssen sie bei idealen Temperatur- und Umgebungsbedingungen gelagert werden. Ihr Weinkühler ist mit einem Aktivkohlefiltersystem ausgestattet, um die Reinheit der Luft und die Effizienz der Kühlung zu gewährleisten und einen geruchsfreien Raum für die Lagerung Ihrer edlen Weine zu schaffen. Die Filterbaugruppe befindet sich an der Rückblende im Inneren Ihres Weinkühlers.

Beachten Sie, dass dieser Filter alle zwölf Monate gewechselt werden muss.

1	Entfernen Sie die Weinflaschen, die auf den beiden (2) Einlegeböden vor dem Filter gelagert sind.	 <p>Zum Entfernen des Filters nach links drehen.</p>
2	Entfernen Sie die Ablagen und legen Sie sie beiseite, um sie nach dem Filterwechsel wieder einzusetzen.	
3	Halten Sie den Filter fest, drehen Sie ihn um 45 Grad gegen den Uhrzeigersinn und ziehen Sie ihn dann heraus.	
4	Entfernen Sie den vorhandenen Filter und ersetzen Sie ihn durch einen neuen.	
5	Setzen Sie den neuen Filter in die Öffnung ein und drehen Sie ihn dann um 45 Grad im Uhrzeigersinn.	

ANLEITUNG ZUR FEHLERSUCHE

Viele häufig auftretende Probleme mit dem Weinkühler können Sie leicht selbst lösen und damit die Kosten für einen eventuellen Kundendiensttermin sparen. Probieren Sie die folgenden Vorschläge aus, um zu sehen, ob Sie das Problem lösen können, bevor Sie den Kundendienst anrufen.

PROBLEM	MÖGLICHE URSACHE	LÖSUNG
Der Weinkühler funktioniert nicht.	Das Gerät ist nicht eingesteckt. Das Gerät ist ausgeschaltet. Der Schutzschalter hat ausgelöst oder eine Sicherung ist durchgebrannt.	Schließen Sie das Gerät an. Drücken Sie  , um das Gerät einzuschalten. Prüfen Sie den Leistungsschalter und/oder die Sicherungen.
Der Weinkühler wird nicht kalt genug.	Eine wärmere Umgebung kann eine höhere Einstellung erfordern. Die Tür wurde zu oft geöffnet. Die Tür ist nicht vollständig geschlossen. Die Türdichtung dichtet nicht richtig ab.	Überprüfen Sie die Temperatureinstellung. Schließen Sie die Tür richtig. Prüfen Sie die Türdichtung.
Der Kompressor schaltet sich häufig ein und aus.	Die Raumtemperatur ist höher als normal. Der Weinkühler wurde auf einmal mit vielen Flaschen bestückt. Die Tür wurde zu oft geöffnet. Die Tür ist nicht vollständig geschlossen. Die Temperaturregelung ist nicht richtig eingestellt. Die Türdichtung dichtet nicht richtig ab.	Schließen Sie die Tür richtig. Prüfen Sie die Türdichtung.

<p>Die Ventilatoren schalten sich häufig ein und aus.</p>	<p>Um die Luft umzuwälzen und die eingestellte Temperatur im Schrankinneren aufrechtzuerhalten, müssen die Ventilatoren ein- und ausgeschaltet werden, auch wenn der Kompressor ausgeschaltet ist. Die Gebläse schalten sich etwa alle 10 Sekunden ein und aus, während der Verdichter ausgeschaltet ist. Dies wird als „Semi-Speed-Status“ (Status mit halber Drehzahl) bezeichnet. Dieser Zyklus ist normal und dient sowohl der Luftzirkulation als auch der Sicherstellung der Betriebsbereitschaft der Ventilatoren. Wenn das Gebläse vollständig stoppt und diesen Zyklus nicht abschließt, ist das Gebläse nicht funktionsfähig.</p>	
<p>Die Beleuchtung funktioniert nicht.</p>	<p>Das Gerät ist nicht eingesteckt. Der Schutzschalter hat ausgelöst oder eine Sicherung ist durchgebrannt. Die Lichttaste ist „AUS“.</p>	<p>Schließen Sie das Gerät an. Prüfen Sie den Leistungsschalter und/oder die Sicherungen.</p>

<p>Vibrationen.</p>	<p>Der Weinkühler ist nicht nivelliert. Die Flaschen vibrieren. Unter dem Weinkühler befindet sich ein Gegenstand.</p>	<p>Prüfen Sie, ob der Weinkühler waagrecht steht. Achten Sie darauf, dass sich die Flaschen nicht gegenseitig berühren. Entfernen Sie den Gegenstand.</p>
<p>Der Weinkühler scheint zu laut zu sein.</p>	<p>Der Weinkühler ist nicht nivelliert.</p>	<p>Nivellieren Sie den Kühler. Ein rasselndes Geräusch kann vom Durchfluss des Kältemittels herrühren, was normal ist. Am Ende jedes Zyklus hören Sie möglicherweise gurgelnde Geräusche, die durch den normalen Kältemittelfluss in Ihrem Weinkühler verursacht werden. Das Zusammenziehen und Ausdehnen der Innenwände kann knallende und knisternde Geräusche verursachen.</p>
<p>Die Tür schließt nicht richtig.</p>	<p>Der Weinkühler ist nicht nivelliert. Die Tür wurde umgedreht und dabei nicht ordnungsgemäß installiert. Die Dichtung ist verschmutzt. Die Einlegeböden sind nicht in der richtigen Position.</p>	<p>Nivellieren Sie den Kühler. Schließen Sie die Tür richtig. Reinigen Sie die Türdichtung. Bringen Sie die Einlegeböden richtig an.</p>
<p>Fehlercode: E1-E2-E3- E4-E7-E8</p>	<p>Ein Sensor ist ausgefallen.</p>	<p>Kontaktieren Sie unseren technischen Kundendienst.</p>

TEKA

MANUEL D'INSTRUCTIONS

RVF 10051 GBK

RVF 10032 GBK

TABLE DES MATIÈRES

SÉCURITÉ DES RÉFRIGÉRATEURS À VIN	3
CONSEILS DE SÉCURITÉ IMPORTANTS	4
AVERTISSEMENTS SUR LES GAZ RÉFRIGÉRANTS	5
PANNE DES PIÈCES	6
CONSIGNES DE SÉCURITÉ IMPORTANTES	7
INSTRUCTIONS DE MONTAGE	7
Avant d'utiliser votre réfrigérateur à vin	7
Installation de votre réfrigérateur à vin	7-8
Connexion électrique	8
Rallonge électrique	8
Barre d'alimentation avec protecteur de surtension	8-9
FONCTIONNEMENT DE VOTRE réfrigérateur à VIN	9
Paramètres de température recommandés	9
Stockage	10
Nettoyage de votre réfrigérateur à vin	10
Étagères	10
Panne d'électricité	10
Déplacement de votre réfrigérateur à vin	11
Conseils pour économiser l'énergie	11
Système de filtration à charbon de bois	11
GUIDE DE DÉPANNAGE	12-13

SÉCURITÉ DES RÉFRIGÉRATEURS À VIN

Votre sécurité et celle des autres sont très importantes.

Nous avons fourni de nombreux messages de sécurité importants dans ce manuel et sur votre appareil. Lisez et respectez toujours tous les messages de sécurité.



Il s'agit du symbole d'alerte de sécurité. Ce symbole vous avertit des dangers potentiels qui peuvent mettre en danger votre vie ou celle des autres. Tous les messages de sécurité suivent le symbole d'alerte de sécurité et les mots « DANGER », « AVERTISSEMENT » ou « MISE EN GARDE ».

 **DANGER** 

Danger signifie que le non-respect de cette consigne de sécurité peut entraîner des blessures graves ou la mort.

 **WARNING** 

Avertissement signifie que le non-respect de cette déclaration de sécurité peut entraîner des dommages importants au produit, des blessures graves ou la mort.

CAUTION

Mise en garde signifie que le non-respect de cet énoncé de sécurité peut entraîner des blessures mineures ou modérées, ou des dommages à la propriété ou à l'appareil.

Tous les messages de sécurité vous alertent sur la nature du danger potentiel, vous indiquent comment réduire le risque de blessure et vous informent de ce qui peut se produire si les consignes ne sont pas respectées.

GUIDES DE SÉCURITÉ IMPORTANTS



Avant d'utiliser l'appareil, il faut le positionner et l'installer correctement, comme décrit dans ce manuel, donc lisez-le attentivement. Pour réduire le risque d'incendie, de choc électrique ou de blessure lors de l'utilisation de l'appareil, suivez les précautions de base, notamment les

suivantes :



- Branchez l'appareil dans une prise de courant à 3 broches reliée à la terre, ne retirez pas la broche de mise à la terre, n'utilisez pas d'adaptateur ni de rallonge.
- Remettez tous les panneaux en place avant de faire fonctionner l'appareil.
- Il est recommandé de prévoir un circuit séparé, ne desservant que votre appareil. Utilisez des prises de courant qui ne peuvent pas être éteintes par un interrupteur ou une chaîne de tirage.
- Ne nettoyez jamais les pièces de l'appareil avec des liquides inflammables. Ces fumées peuvent créer un risque d'incendie ou d'explosion. Et ne stockez pas ou n'utilisez pas d'essence ou d'autres vapeurs et liquides inflammables à proximité de cet appareil ou de tout autre appareil. Les vapeurs peuvent créer un risque d'incendie ou d'explosion.
- Avant de procéder aux opérations de nettoyage et d'entretien, assurez-vous que la ligne électrique de l'appareil est débranchée.
- Ne branchez ou ne débranchez pas la fiche électrique lorsque vos mains sont mouillées.
- Débranchez l'appareil ou coupez le courant avant de le nettoyer ou de le réparer. Le non-respect de cette consigne peut entraîner un choc électrique ou la mort.
- N'essayez pas de réparer ou de remplacer une pièce de votre appareil, sauf si cela est spécifiquement recommandé dans ce document. Tout autre entretien doit être confié à un technicien agréé.

WARNING

- Faire appel à deux personnes ou plus pour déplacer et installer l'appareil. Le non-respect de cette consigne peut entraîner des blessures au dos ou ailleurs.
- Pour assurer une bonne ventilation de votre appareil, la façade de celui-ci doit être complètement dégagée. Choisissez un endroit bien ventilé où la température est supérieure à 16°C (60°F) et inférieure à 32°C (90°F). Cet appareil doit être installé dans un endroit protégé des éléments, tels que le vent, la pluie, les projections d'eau ou les gouttes.
- L'appareil ne doit pas être placé à côté d'un four, d'une rôtisserie ou de toute autre source de chaleur élevée.
- L'appareil doit être installé avec tous les raccordements électriques, d'eau et d'évacuation conformément aux codes locaux et nationaux. Une alimentation électrique standard (220V/50Hz), correctement mise à la terre conformément au Code national de l'électricité et aux codes et ordonnances locaux est requise.
- Ne pliez pas et ne pincez pas le cordon d'alimentation de l'appareil.
- La taille du fusible (ou du disjoncteur) doit être de 13 ampères.
- Il est important que l'appareil soit horizontal pour pouvoir fonctionner correctement. Vous devrez peut-être procéder à plusieurs réglages pour le niveler.
- Ne permettez jamais aux enfants de faire fonctionner l'appareil, de jouer avec ou de ramper à l'intérieur.
- N'utilisez pas de produits de nettoyage à base de solvants ou d'abrasifs à l'intérieur. Ces nettoyeurs peuvent endommager ou décolorer l'intérieur.
- N'utilisez pas cet appareil à d'autres fins que celles pour lesquelles il a été conçu.

GAZ RÉFRIGÉRANT INFLAMMABLE

DANGER - Risque d'incendie ou d'explosion. Réfrigérant inflammable utilisé.

NE PAS utiliser de dispositifs mécaniques pour dégivrer le réfrigérateur. Ne PAS percer le tube de réfrigération.

DANGER - Risque d'incendie ou d'explosion. Réfrigérant inflammable utilisé. Les réparations doivent être effectuées uniquement par un personnel de service agréé. Ne PAS percer le tube de réfrigération.

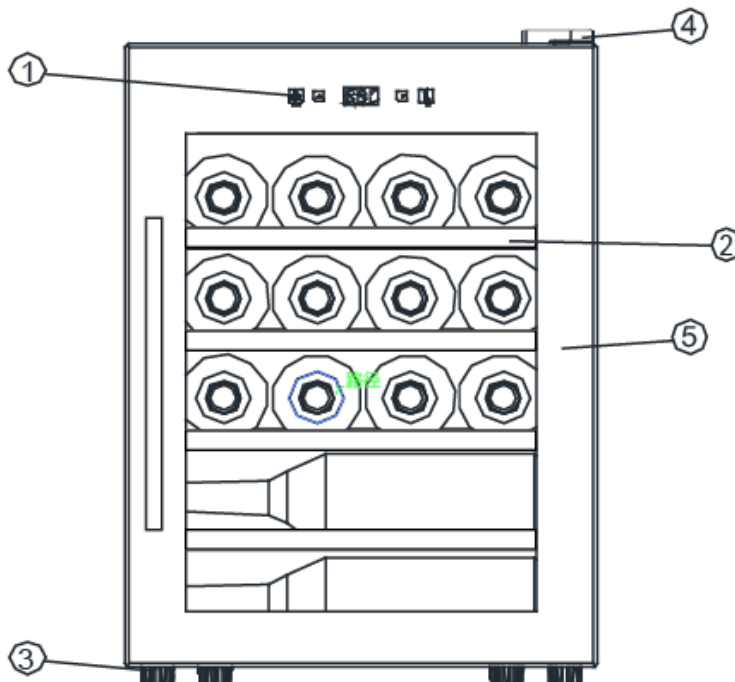
MISE EN GARDE - Risque d'incendie ou d'explosion. Réfrigérant inflammable utilisé. Consultez le manuel de réparation / le guide du propriétaire avant de tenter de réparer cet appareil. Toutes les précautions de sécurité doivent être respectées.

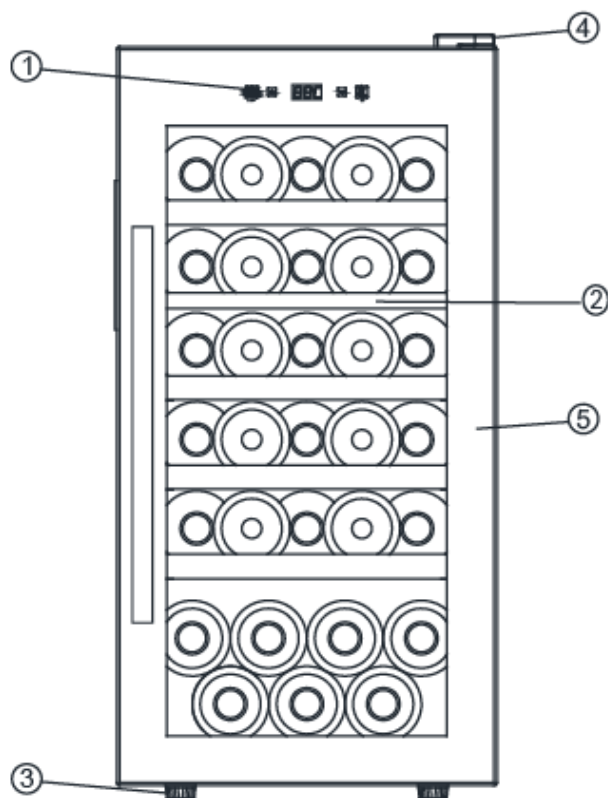
MISE EN GARDE - Risque d'incendie ou d'explosion. Éliminez cet appareil conformément à la réglementation fédérale ou locale. Réfrigérant inflammable utilisé.

MISE EN GARDE - Risque d'incendie ou d'explosion dû à la perforation du tube de réfrigération. Suivez attentivement les consignes de manipulation. Réfrigérant inflammable utilisé.

MISE EN GARDE - Pour éviter qu'un enfant ne soit coincé, gardez-le hors de leur portée et pas à proximité du réfrigérateur.


PANNE DES PIÈCES





- | | | | |
|---|------------------------|---|----------------------|
| 1 | Panneau de commande | 4 | Charnière supérieure |
| 2 | Étagères en bois | 5 | Porte vitrée |
| 3 | Pieds de mise à niveau | | |

CONSIGNES DE SÉCURITÉ IMPORTANTES

⚡ AVERTISSEMENT 	Pour réduire le risque d'incendie, d'électrocution ou de blessure lors de l'utilisation de votre appareil, respectez ces précautions de base :
---	--

- Lisez toutes les consignes avant d'utiliser le réfrigérateur à vin.
- **DANGER ou AVERTISSEMENT** : Risque de coincement des enfants.
Le coincement et la suffocation des enfants ne sont pas des problèmes du passé. Les appareils usagés ou abandonnés sont toujours dangereux.
- Avant de jeter votre vieux réfrigérateur à vin, enlevez la porte mais laissez les étagères en place afin que les enfants ne puissent pas facilement grimper à l'intérieur.
- Ne laissez jamais les enfants utiliser, jouer avec ou ramper pour pénétrer à l'intérieur de l'appareil.
- Ne nettoyez jamais les pièces de l'appareil avec des liquides inflammables. Les vapeurs peuvent créer un risque d'incendie ou d'explosion.
- Ne pas stocker, ni utiliser d'essence ou d'autres vapeurs et liquides inflammables à proximité de cet appareil ou de tout autre appareil. Les vapeurs peuvent créer un risque d'incendie ou d'explosion.

- Conservez ces instructions -

INSTRUCTIONS DE MONTAGE

Avant d'utiliser votre réfrigérateur à vin

- Retirez l'emballage extérieur et intérieur de l'appareil.
- Vérifiez que vous avez toutes les pièces suivantes :
 - o étagères
 - o Poignée en acier inoxydable
 - o Mode d'emploi
- Avant de brancher le réfrigérateur à vin à la source d'alimentation, laissez-le reposer en position verticale pendant environ 2 heures. Cela réduira la possibilité d'un dysfonctionnement du système de refroidissement dû à la manipulation pendant le transport.
- Nettoyez la surface intérieure à l'eau tiède à l'aide d'un chiffon doux.
- Installez la poignée sur le côté gauche de la porte.

Installation de votre réfrigérateur à vin

- Cet appareil est conçu pour être installé en pose libre ou encastré.
- Placez votre réfrigérateur à vin sur un sol suffisamment solide pour le supporter lorsqu'il est entièrement chargé. Pour mettre votre réfrigérateur à vin à niveau, réglez les pieds de mise à niveau avant au bas de celui-ci.
- Placez le réfrigérateur à vin à l'abri de la lumière directe du soleil et des sources de chaleur (poêle, chauffage, radiateur, etc.). La lumière directe du soleil peut affecter le revêtement acrylique et les sources de chaleur peuvent augmenter la consommation électrique. Des températures ambiantes extrêmement froides peuvent

aussi empêcher l'appareil de fonctionner correctement.

- Évitez de placer l'appareil dans des zones humides.
- Branchez le réfrigérateur à vin sur une prise murale exclusive, correctement installée et mise à la terre. La fiche de la mise à la terre ne doit, en aucune circonstance, être coupée ou retirée. Toute question concernant l'alimentation et/ou la mise à la terre doit être adressée à un électricien certifié ou à un centre de service agréé des produits.

Connexion électrique

⚡ **AVERTISSEMENT** ⚡ : L'utilisation incorrecte de la prise de terre peut entraîner un risque de choc électrique. Si le cordon d'alimentation est endommagé, faites-le remplacer dans un centre de service agréé.

Cet appareil doit être correctement mis à la terre pour votre sécurité. Le cordon d'alimentation de cet appareil est équipé d'une fiche à trois broches qui s'adapte aux prises murales standard à trois broches afin de minimiser le risque de choc électrique.

Ne coupez ou ne retirez en aucun cas la troisième broche de terre du cordon d'alimentation fourni. Pour votre sécurité personnelle, cet appareil doit être correctement mis à la terre.

Cet appareil nécessite une prise électrique standard 220V/50Hz avec terre et trois fiches. Faites vérifier la prise murale et le circuit par un électricien qualifié pour vous assurer que la prise est correctement mise à la terre. Lorsque vous rencontrez une prise murale standard à 2 broches, il est de votre responsabilité et de votre obligation de la faire remplacer par une prise correctement mise à la terre.

Prise murale à 3 broches. Le cordon doit être fixé derrière l'appareil et ne doit pas être exposé ou pendre pour éviter toute blessure accidentelle.

L'appareil doit toujours être branché dans sa propre prise électrique individuelle dont la tension correspond à l'étiquette signalétique de celui-ci. Cela permet d'obtenir les meilleures performances et d'éviter de surcharger les circuits électriques de la maison, ce qui pourrait entraîner un risque d'incendie en cas de surchauffe. Ne débranchez jamais l'appareil en tirant sur le cordon d'alimentation. Saisissez toujours fermement la fiche et retirez-la directement du réceptacle. Réparez ou remplacez immédiatement tous les cordons d'alimentation qui se sont effilochés ou endommagés. N'utilisez pas un cordon qui présente des fissures ou des dommages dus à l'abrasion sur sa longueur ou à l'une de ses extrémités. Lorsque vous déplacez l'appareil, veillez à ne pas endommager le cordon d'alimentation.

Rallonge électrique

En raison de risques potentiels pour la sécurité dans certaines conditions, il est fortement conseillé de ne pas utiliser de rallonge avec cet appareil. Toutefois, si vous devez utiliser une rallonge, il est absolument nécessaire qu'il s'agisse d'une rallonge à 3 fils avec mise à la terre, dotée d'une fiche et d'une prise avec mise à la terre, et que la puissance électrique de la rallonge soit de 220 volts et d'au moins 13 ampères.

Barre d'alimentation avec protection contre les surtensions

La plupart des appareils électriques utilisent une série de tableaux de commande électrique pour fonctionner. Ces cartes sont très sensibles aux surtensions et peuvent être endommagées ou détruites.

Si l'appareil doit être utilisé dans une zone ou si votre ville ou votre pays est sujet à des surtensions ou à des pannes de courant, il est recommandé d'utiliser un dispositif de protection contre les surtensions pour tous les appareils électriques que vous utilisez. Le parasurtenseur que vous choisissez doit avoir un blocage de surtension suffisamment élevé pour protéger l'appareil auquel il est connecté. Si vous avez des questions concernant le type et la taille du protecteur de surtension nécessaire, contactez un électricien agréé dans votre région.

Les dommages dus aux surtensions ne sont pas considérés comme un défaut couvert par le fabricant et annulent la garantie de votre appareil.

FONCTIONNEMENT DE VOTRE RÉFRIGÉRATEUR À VIN

Il est recommandé d'installer le réfrigérateur à vin dans un endroit où la température ambiante est comprise entre 19°C et 24°C (66°F-75°F), et l'humidité inférieure à 60%. Si la température ambiante est supérieure ou inférieure aux températures recommandées, les performances de l'appareil peuvent être affectées. Par exemple, le fait de placer votre appareil dans des conditions de froid ou de chaleur extrêmes peut entraîner une fluctuation des températures intérieures. La plage de 5°C-18°C (41°F-65°F) peut ne pas être atteinte.

Paramètres de température recommandés

Conservation du vin : 12°C-14°C (53°F-57°F)

Vins rosés et mousseux : 5°C-8°C (41°F-46°F)

Vins secs/blancs : 9°C-12°C (48°F-53°F)

Vins rouges : 14°C-18°C (59°F-65°F)

*La température en °C peut varier entre $\leq \pm 2$ °C



Plage de réglage de la température : 5-18°C(41-65°F)

	Permet d'allumer ou d'éteindre l'éclairage intérieur
	Réglage de la température par incréments de 1 degré Règle la température par incréments de 1 degré
	Bascule l'affichage de la température entre Celsius et Fahrenheit.



Appuyez pendant 3 secondes pour allumer ou éteindre l'appareil.

Stockage

De nombreuses bouteilles peuvent différer en taille et en dimensions. Ainsi, le nombre réel de bouteilles que vous pouvez stocker peut varier. Vous pouvez placer 30 bouteilles standard dans ce réfrigérateur à vin.

Nettoyage de votre réfrigérateur à vin

Coupez le courant, débranchez l'appareil et retirez tous les articles, y compris les étagères. Lavez les surfaces intérieures à l'aide d'une solution d'eau chaude et de bicarbonate de soude. La solution doit être composée d'environ 2 cuillères à soupe de bicarbonate de soude pour 1 tasse d'eau.

Lavez les étagères avec une solution détergente douce. Essorez l'excès d'eau de l'éponge ou du chiffon lors du nettoyage de la zone des commandes, ou des pièces électriques.

Lavez l'extérieur de l'armoire avec de l'eau tiède et un détergent liquide doux. Rincez bien et essuyez à l'aide d'un chiffon doux et propre. N'utilisez pas de laine d'acier ou de brosse en acier sur l'acier inoxydable. Ces derniers contaminent l'acier inoxydable avec des particules d'acier et la rouille peut se produire.

Étagères

Pour retirer les étagères du rail, tirez chaque étagère jusqu'au montant de l'étagère, comme indiqué sur la figure A. Soulevez-la à nouveau, puis retirez lentement l'étagère, comme indiqué sur la figure B.

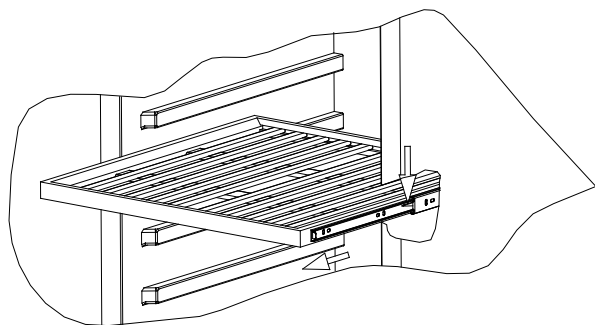


Figure A

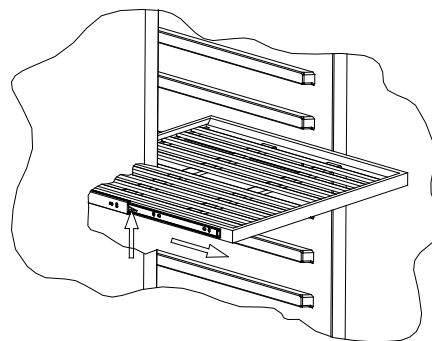


Figure B

Panne d'électricité

La plupart des pannes de courant sont corrigées en quelques heures et ne devraient pas affecter la température de votre appareil si vous minimisez le nombre d'ouvertures de la porte. Si l'électricité doit être coupée pendant une longue période, vous devez prendre les mesures nécessaires pour protéger le contenu de votre réfrigérateur.

Déplacement de votre réfrigérateur à vin

- Retirez tous les éléments (bouteilles)
- Fixez solidement à l'aide de ruban adhésif tous les éléments non fixés (étagères) à l'intérieur de votre appareil.
- Tournez le pied réglable jusqu'à la base pour éviter d'éventuels dégâts.
- Fermez la porte avec du ruban adhésif.
- Assurez-vous que l'appareil reste en position verticale pendant le transport. Si vous devez absolument transporter le réfrigérateur à l'horizontale, transportez-le sur le dos (porte sur le dessus). Protégez également l'extérieur de l'appareil avec une couverture ou un article similaire.

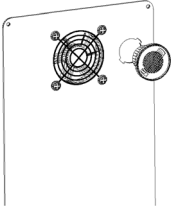
Conseils pour économiser l'énergie

Le réfrigérateur à vin doit être placé dans la zone la plus fraîche de la pièce, loin des appareils produisant de la chaleur et à l'abri de la lumière directe du soleil.

Système de filtration à charbon de bois


Votre vin est un objet vivant qui respire à travers le bouchon de sa bouteille. Afin de préserver la qualité et le goût de vos vins fins, ils doivent être stockés à la température et aux conditions ambiantes idéales. Votre cave est équipée d'un système de filtration à charbon actif pour assurer la pureté de l'air, l'efficacité du refroidissement et le maintien d'un espace inodore pour le stockage de vos grands vins. L'ensemble du filtre est situé sur le panneau arrière à l'intérieur de votre cave.

N'oubliez pas que ce filtre doit être remplacé tous les 12 mois.

1	Retirez les bouteilles de vin stockées sur les deux (2) étagères situées devant le filtre.	 <p>Tournez à gauche pour retirer le filtre.</p>
2	Retirez les étagères et mettez-les de côté pour les remettre en place une fois que vous aurez changé le filtre	
3	Tenez le filtre et tournez-le à 45 degrés dans le sens inverse des aiguilles d'une montre, puis retirez-le.	
4	Retirez le filtre existant et remplacez-le par un nouveau.	
5	Placez le nouveau filtre dans le trou, puis tournez-le à 45 degrés dans le sens des aiguilles d'une montre.	

GUIDE DE DÉPANNAGE

Vous pouvez résoudre facilement de nombreux problèmes courants liés aux réfrigérateurs à vin, ce qui vous évitera le coût d'un éventuel appel de service. Essayez les suggestions ci-dessous pour voir si vous pouvez résoudre le problème avant d'appeler un réparateur.

PROBLÈME	CAUSE PROBABLE	SOLUTION
Le réfrigérateur ne fonctionne pas.	Non branché. L'appareil est éteint. Le disjoncteur s'est déclenché ou un fusible a sauté.	Branchez l'appareil. Appuyez sur  pour allumer l'appareil. Vérifiez le disjoncteur et/ou les fusibles.
Le réfrigérateur n'est pas froid.	L'environnement externe peut nécessiter un réglage plus élevé. La porte s'ouvre trop souvent. La porte ne se ferme pas complètement. Le joint de porte ne se scelle pas correctement.	Vérifiez le réglage du contrôle de la température. Fermez la porte correctement. Vérifiez le joint de la porte.
Le compresseur se met en marche et s'arrête fréquemment.	La température ambiante est supérieure à la normale. Une grande quantité de contenu a été ajoutée au réfrigérateur. La porte s'ouvre trop souvent. La porte ne se ferme pas complètement. Le contrôle de la température n'est pas réglé correctement. Le joint de porte ne se scelle pas correctement.	Fermez la porte correctement. Vérifiez le joint de la porte.

Les ventilateurs s'allument et s'éteignent fréquemment.	Afin de faire circuler l'air et de maintenir la température réglée à l'intérieur de la pièce, les ventilateurs doivent fonctionner par cycles, même lorsque le compresseur est éteint. Les ventilateurs se mettent en MARCHE et S'ARRÊTENT pendant que le compresseur est éteint toutes les 10 secondes environ, c'est ce qu'on appelle le « statut semi-vitesse ». Ce cycle est normal et vise à la fois à faire circuler l'air et à garantir le bon fonctionnement des ventilateurs. Si le ventilateur s'arrête complètement et ne termine pas ce cycle, il n'est pas opérationnel.	
La lumière ne fonctionne pas.	Non branché. Le disjoncteur s'est déclenché ou un fusible a sauté. Le bouton d'éclairage est sur « OFF » (Arrêt).	Branchez l'appareil. Vérifiez le disjoncteur et/ou les fusibles.

Vibrations.	Le réfrigérateur n'est pas en position horizontale Les bouteilles vibrent. Il y a un objet sous le réfrigérateur.	Vérifiez que le réfrigérateur est horizontal. Veillez à ce que les bouteilles ne se touchent pas. Retirez l'objet.
Le réfrigérateur semble faire trop de bruit.	Le réfrigérateur n'est pas horizontal.	Mettez le réfrigérateur en position horizontale. Le bruit de cliquetis peut provenir de l'écoulement du réfrigérant, ce qui est normal. À la fin de chaque cycle, vous pouvez entendre des gargouillis causés par l'écoulement du réfrigérant dans votre réfrigérateur. La contraction et l'expansion des parois intérieures peuvent provoquer des claquements et des crépitements.
La porte ne se ferme pas correctement.	Le réfrigérateur n'est pas horizontal. La porte était inversée et mal installée. Le joint d'étanchéité est sale. Les étagères ne sont pas en place.	Mettez le réfrigérateur en position horizontale. Fermez la porte correctement. Nettoyez le joint de la porte. Placez les étagères correctement.
Code d'erreur : E1-E2-E3- E4-E7-E8	Un capteur est en panne.	Contactez-nous pour un appel de service.



www.teka.com

Asped mos eriatius sit atet hicil et velit