

FMXO 86 S XS

EN	Installation and user manual
DE	Installations- und Gebrauchsanweisung
FR	Manuel d'installation et mode d'emploi
IT	Manuale per l'installazione e l'uso
ES	Manual de instalación y servicio
PT	Manual de instalação e de assistência
EL	Εγκατάσταση και εγχειρίδιο συντήρησης
RO	Manual de instalare și service
TR	Kurulum ve servis kılavuzu
AR	دليل التركيب والاستعمال

Multifunction Oven
Multifunktionsofen
Four multifonction
Forno multifunzione
Horno multifunción
Forno multifunções
Πολυλειτουργικός φούρνος
Cuptor multifuncțional
Çok İşlevli Fırın
فرن متعدد الوظائف

Make
it
Wonderful

FRANKE

TABLE OF CONTENTS

About this manual	3	Operation	11
Intended use	4	Oven functions	11
Safety information	4	The first time you use the oven	12
Installation	7	Removing the oven door	12
Overview	9	Cleaning and maintenance	13
Control panel functions	10	Support	14
		Disposal	15

ABOUT THIS MANUAL

Dear Customer

We thank you and congratulate you on your choice. This new carefully designed product, manufactured with the highest quality materials, has been carefully tested to satisfy all your cooking demands. We would therefore request you to read and follow these easy instructions which will allow you to obtain excellent results right from the start.

This user manual applies to several models of the device. Thus it may be possible that some of the described features and functions are not available on your specific model.

- ▶ Carefully read the user manual before using the device.
- ▶ Keep the user manual.
- ▶ Use the device described in this user manual only according to the intended use.

Franke reserves the right to make modifications to the product without prior notice.
All information correct at time of issuance.

Symbol Meaning



Warning symbol. Warning against risks of injury.



Actions in safety and warning notes to avoid injury or damage.



Action step. Specifies an action to be done.



Result. Result of one or more action steps.

INTENDED USE

The oven was developed exclusively for non-professional, domestic use in the household. The oven is designed to offer professional performance in the household.

It is a highly versatile appliance enabling safe and easy selection of different cooking methods.

SAFETY INFORMATION

▷ Read the user manual and the safety information carefully before using the oven.

▷ Keep the manual for future reference.

The manufacturer can not be made liable for possible damage which may occur due to incorrect installation and incorrect, improper or unreasonable use of the device.

The electrical safety of the oven is guaranteed only when it is connected to an earthing system in compliance with the valid regulations.

To ensure safe and efficient operation of this electrical device:

▷ Only contact authorised service centres.

▷ Do not modify any features of the device.

▷ This appliance can be used by children aged from 8 years and above and persons with reduced physical, sensory or mental capabilities or lack of experience and

knowledge if they have been given supervision or instruction concerning use of the appliance in a safe way and understand the hazards involved. Children shall not play with the appliance. Cleaning and user maintenance shall not be made by children without supervision.

▷ Children under 8 years may not use or clean the device even if supervised.

▷ Children should be supervised to ensure that they do not play with the appliance.

▷ This device is not a toy.

▷ Do not leave children near the device unattended.

▷ Do not let children play with the device.

▷ Do not allow children to touch the device or its controls during and immediately after using it.

- ▷ Ensure that the device is installed in a way that allows to disconnect it from the power supply, with a contact opening distance that ensures complete disconnection in category III overvoltage conditions. Means for disconnection must be incorporated in the fixed wiring in accordance with the wiring rules.
- ▷ Only use the temperature probe recommended for this oven.
- ▷ The appliance shall not be installed behind a decorative door in order to avoid overheating.



Risk of burns!

- ▷ During use the appliance becomes hot. Care should be taken to avoid touching heating elements inside the oven. Children less than 8 years of age shall be kept away unless continuously supervised.



Risk of burns!

The end of the door handle may be hotter due to hot air being vented.

- ▷ Always make sure that the control knobs are in the off position when the oven is not in use.

WARNING: Ensure that the appliance is switched off before replacing the lamp to avoid the possibility of electric shock.

- ▷ Do not use harsh abrasive cleaners or sharp metal scrapers to clean the oven door glass/ the glass of hinged lids of the hob (as appropriate), since they can scratch the surface, which may result in shattering of the glass.
- ▷ Do not use steam cleaners or direct jets of water.
- ▷ If the supply cord is damaged, it must be replaced by the manufacturer, its service agent or similarly qualified persons in order to avoid a hazard.

CAUTION: In order to avoid a hazard due to inadvertent resetting of the thermal cut-out, this appliance must not be supplied through an external switching device, such as a timer, or connected to a circuit that is regularly switched on and off by the utility.

The product contains a light source with energy efficiency class „G“.

Proper installation and placement

- ▷ Keep children away from the device and the packaging material.
- If the oven is to be permanently connected to the power supply:
- ▷ Ensure that the device is installed only by the customer service, an electrician or trained personnel with the appropriate knowledge/education.
 - ▷ Ensure that the device is connected directly to the mains socket. Ensure that no adapters, no multi-sockets and no extension cables are used to connect the device.
 - ▷ Ensure that the device is not exposed to atmospheric agents (rain, sun).



Risk of death!

- ▷ Keep pets away from the device.
- ▷ Packaging materials, e.g. plastic film and polystyrene, can be dangerous for children.
- ▷ Keep packaging material away from children.

Proper use

- ▷ Only use the device to prepare and cook food.
- ▷ Use oven gloves when placing containers in the oven or when taking containers out of the oven.
- ▷ Observe the manuals of the cooking devices that are used with the oven when using the device.
- ▷ Do not place power cables of other electric appliances on hot parts of the oven.
- ▷ Do not use flammable liquids near the oven.



Risk of overheating and malfunction of the oven due to blocked ventilation!

- ▷ Never cover the inside walls of the oven with aluminium foil.
- ▷ Do not block the ventilation of the fan or the cooling openings above the oven door.



Risk of burns!

- ▷ When opening or closing the door, always hold the door handle in the middle.



Risk of electric shock due to damaged device!

- ▷ Do not switch on a damaged device.
- ▷ Switch off the fuse in the fuse box.
- ▷ Contact the customer service.



Risk of electric shock!

- ▷ Do not touch the device with wet parts of your body.
- ▷ Do not use the device when barefoot.
- ▷ Do not pull on the device or power cable to unplug it from the socket.

Maintenance and cleaning

Before maintenance or cleaning:

- ▷ Disconnect the device from the power supply, e.g. switch off the fuse in the fuse box.



Risk of electric shock due to entering liquid!

The device contains electrical components.

- ▷ Make sure that no liquid enters the interior of the device.
- ▷ Do not use pressurised steam to clean the device.
- ▷ Do not use a wet cloth to clean the operating elements.

Repair

- ▷ Do not allow anyone except qualified personnel to install or repair the appliance.
- ▷ Contact a service centre authorised by the manufacturer or qualified personnel in the following cases:
 - Immediately after unpacking, in the event of doubts regarding the integrity of the device
 - During installation (according to the manufacturer's instructions)
 - Doubts regarding the correct operation of the device
 - Malfunction or poor operation
 - Replacing the power socket if incompatible with the power plug of the device.

Taking out of service

If the oven is no longer to be used, call the service centre or qualified personnel to disconnect it from the power supply.

Information for energy saving

Where possible, avoid pre-heating the oven and always try to fill it. Open the oven door as infrequently as possible, because heat from the cavity disperses every time it is opened. For a significant energy saving, switch off the oven between 5 and 10 minutes before the planned end of the cooking time, and use the residual heat that the oven continues to generate. Keep the seals clean and in order, to avoid any heat dispersal outside of the cavity. If you have an electric contract with an hourly tariff, the “delayed cooking” programme makes energy saving more simple, moving the cooking process to start at the reduced tariff time slot.

INSTALLATION

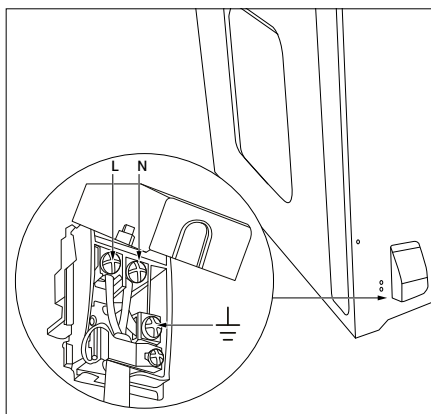
Flush fitting

- ▶ The oven can be installed under a work top or in a cooking column. Figure shows the installation dimensions.
- ▶ Make sure that surrounding materials are heat resistant.
- ▶ Align the oven centrally with respect to the side walls of the units surrounding it and fix it in place with the screws and Allen screws provided.

Electrical connections

- ▷ Before connecting the oven to the mains power supply, make sure that:
 - ▶ The supply voltage corresponds to the specifications on the data plate on the front of the oven.
 - ▶ The mains supply has an efficient earth (ground) connection complying with all applicable laws and regulations. Correct earthing (grounding) is a legal requirement.
- ▷ The power cable should never reach a temperature 50° C above ambient temperature at any point along its length.

- ▷ If a fixed appliance is not provided with a power cable and plug, or some other device permitting it to be disconnected from the mains electricity supply, with a gap between the contacts big enough to guarantee class III overvoltage protection, then such a device must be fitted to the power supply in compliance with the regulations governing electrical installations.
- ▷ The socket or switch must be easily reachable with the oven fully installed.



Cable types and minimal diameters

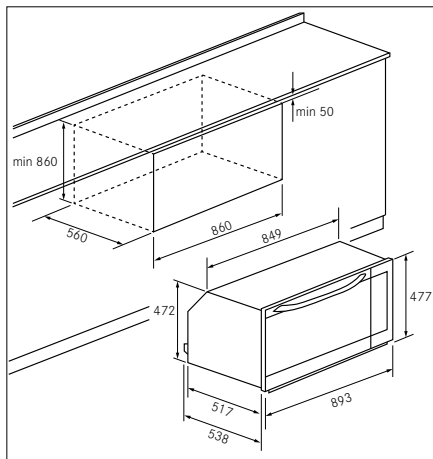
H05RR-F	3x1,5 mm ²
H05VV-F	3x1,5 mm ²
H05RN-F	3x1,5 mm ²
H05V2V2-F	3x1,5 mm ²
SASO	
H05RR-F	3x2,5 mm ²
H05VV-F	3x2,5 mm ²
H05RN-F	3x2,5 mm ²
H05V2V2-F	3x2,5 mm ²



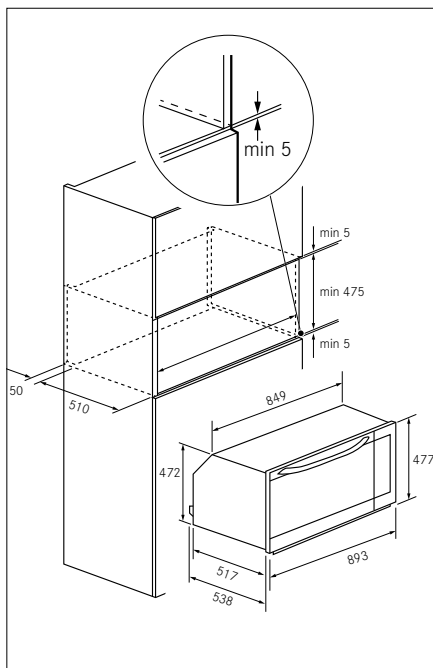
WARNING! The manufacturer declines all responsibility for damage or injury if the above instructions and normal safety precautions are not respected.

Fitting the oven into the cabinet

Built-under type



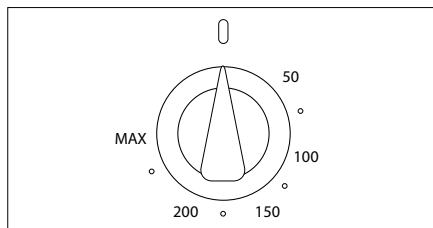
Vertical type



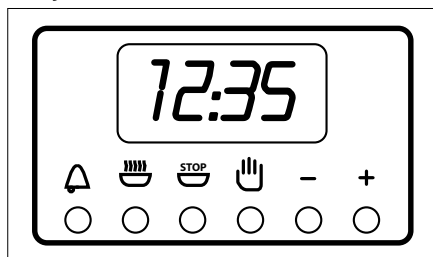
OVERVIEW

Thermostat

- Use the thermostat to set the cooking temperature you need. The thermostat can be adjusted from 50° to 250° C.



6 key electronic timer



Setting the clock

- Press the duration key and the end of cooking key simultaneously, then press the $+/-$ keys to set the time.

Manual operation

- To start cooking without setting end of cooking time, press the manual key .

Setting only the duration of cooking in semi-automatic mode

- To set the duration of cooking, press the duration key and press the $+/-$ keys to set the duration of cooking.
- A buzzer sounds when the cooking period finishes and the oven switches itself off.
- Turn the thermostat and selector knobs back to 0 position and press the manual key.

Setting only the end of cooking time in semi-automatic mode

- To set the end of cooking time, press the end of cooking key and press the $+/-$ keys to set the time at which you want the oven to switch off.
- A buzzer sounds when the clock reaches the set time, and the oven switches itself off.
- Turn the thermostat and selector knobs back to 0 position and press the manual key.

Fully automatic operation

- To set the end of cooking time, press the duration key and press the $+/-$ keys to set the duration of cooking.
- Press the end of cooking key and press the $+/-$ keys to set the time at which you want the oven to switch off.
- When you finish setting these times, the AUTO symbol flashes and the buzzer sounds.
- Press any key to silence it.

Alarm timer

- Press the alarm timer key and press the $+/-$ keys to set the required duration of cooking.
- The buzzer sounds when the cooking time ends.
- Press any key to silence it.

Programming errors

- You cannot program in a cooking period which starts earlier than the time displayed on the clock.
- If you try to do so, the buzzer sounds and the AUTO symbol flashes.
- Simply change the duration or cooking time to correct the error.

Cancelling a cooking programme

- To cancel a cooking programme, simply press the manual key.

Control panel functions

Function symbols on the selector

**Oven light**

Stays on while oven is in use.

**Top and bottom heating elements**

Thermostat setting from 50° C to MAX.

**Top and bottom heating elements with fan**

Thermostat setting from 50° C to MAX.

**Circular heating element with fan**

Thermostat setting from 50° C to MAX.

**Bottom heating element with fan**

Thermostat setting from 50° C to MAX.

**Double top heating element with fan (large area grill)**

Thermostat setting from 50° C to 200° C.

**Top heating element (small, low power grill)**

Thermostat setting from 50° C to 200° C.

**This mode is intended to save energy.**

Ideal for frozen or precooked food, and small portions meals. The preheat time is very short and cooking tends to be slower. It is not recommended for heavy loads e.g. large portions or big meal preparation.

OPERATION

Oven functions



Conventional cooking

Conventional cooking uses top and bottom heat to cook a single dish. Place the food in the oven only once cooking temperature has been reached, i.e. when the heating indicator goes out. If you want to increase top or bottom temperature towards the end of the cooking cycle, set the temperature control to the right position. It is advisable to open the oven door as little as possible during cooking.

Defrosting

By selecting one of the fan cooking functions and setting the thermostat to zero, the fan allows cold air to circulate inside the oven. In this way frozen food can be rapidly defrosted.



Fan cooking

For this type of cooking a fan positioned at the back allows the circulation of hot air inside the oven, creating uniform heat. In this way cooking is more rapid than conventional cooking. It is a suitable method for cooking dishes on more than one shelf, especially when the food is of different types (fish, meat etc.)



Grill cooking

Use the grill to grill or brown foods. Some ovens may be equipped with an electric motor, spit and skewers for turning on the spit. Place the shelf with the food to be cooked in the 1st or 2nd position from the top. Preheat the oven for 5 minutes. Turn the thermostat to a temperature between 50° C and 200° C.

Cooling fan

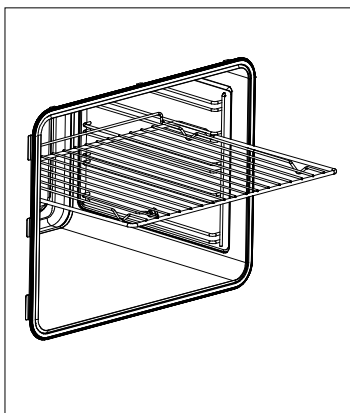
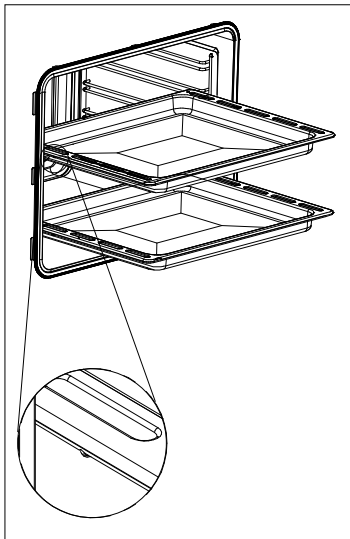
- ▶ The fan is positioned on the upper part of the oven and create a circle of cooling air on the inside of the furniture and through the door of the oven.
- ▶ It is turned on when the temperature of the outer shell of the oven reaches 60° C.
- ▶ By switching on the oven with the thermostat at 200° C the fan starts working after approx. 10 min. It is turned off when the temperature of the outer shell of the oven descends under 60° C.
- ▶ By switching off the oven with the thermostat at 200° C the fan stops working after approx. 30 min.

IMPORTANT: It is not essential to preheat the oven, but you are advised to do so when cooking pastries.

Placement of the grills

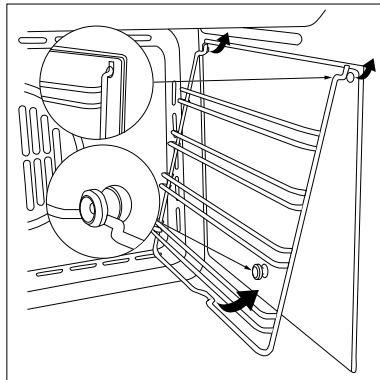
Refer to the figures below for the correct placement of the grills:

Removable guides



The first time you use the oven

- ▶ Clean the oven thoroughly with soapy water and rinse well.
- ▶ To remove the lateral frames from smooth-walled ovens, proceed as shown in the figure.

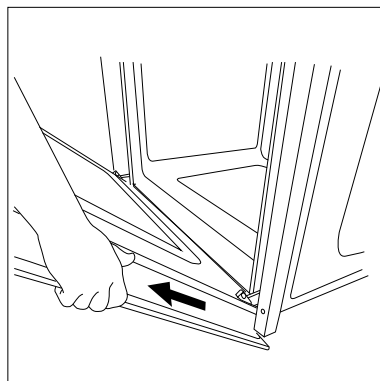
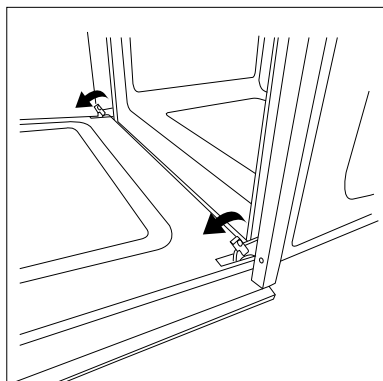


- ▶ Operate the oven for about 30 minutes at maximum temperature to burn off all traces of grease which might otherwise create unpleasant smells when cooking.

Removing the oven door

The oven door can be removed quickly and easily. To do so, proceed as follows:

- ▶ Open the door fully.
- ▶ Lift the two levers shown in figure.
- ▶ Close the door as far as the first stop (caused by the raised levers).
- ▶ Lift the door upwards and outwards to remove it from its mountings.



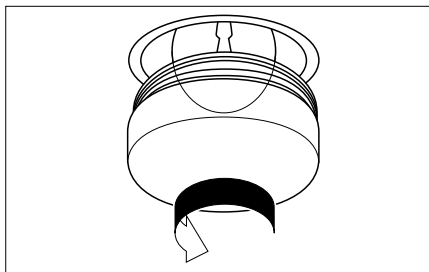
To replace fit the door, fit the hinges in their mountings and lower the two levers.

CLEANING AND MAINTENANCE

Replacing the oven lamp

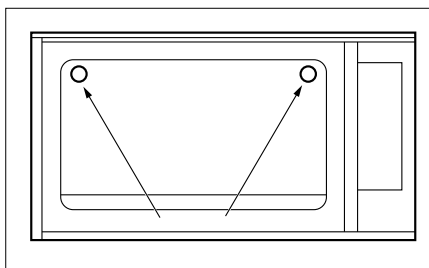
IMPORTANT: The oven light must have these precise features:

- It must be able to resist high temperatures (up to 300° C)
- Power supply: see V/Hz indicated on data plate
- Power 25 W
- E14 connection

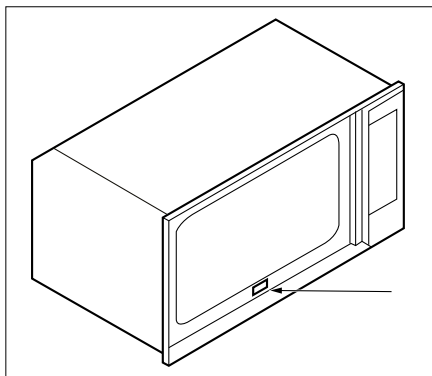


WARNING! Before proceeding, disconnect the appliance from the main electricity supply.

- ▶ To prevent damage, place a tea cloth in the oven.
- ▶ Unscrew the glass cover of the light.
- ▶ Unscrew the old light bulb and replace it with the new one.
- ▶ Put back the glass cover and remove the tea cloth.
- ▶ Connect the appliance to the main electricity supply.



IMPORTANT: The oven's data plate is accessible even with the oven fully installed. The plate is visible simply by opening the door. Always quote the details from it to identify the appliance when ordering spare parts.



SUPPORT

Spare parts

- ▷ Only authorised components should be used when servicing this appliance.
- ▷ Do not repair or replace any part of the oven that has not been recommended by this manual.
- ▷ All work and repairs must be carried out by authorised technical personnel.

Replacement components may be requested on providing the following data:

- Oven model code (MOD.) and serial number (S.N.), which are indicated on the product label located on the lower front part of the oven front.
- Description and number of the spare part; this technical information is only available to the authorised assistance service.
- Lastly, provide details of the distributor who sold the oven and the data of the nearest service centre.

Technical assistance

In the event that your oven requires technical assistance and/or spare parts, contact the nearest authorised dealer or service centre.

Once again in this case, you must provide complete data about the device as indicated on the aluminium product label, such as:

- model (MOD.)
- serial number (S.N.), etc. (label on the lower part of the oven front).

DISPOSAL

Information for users



The symbol on the product or on the packaging indicates that the device must not be disposed of in the domestic waste.

By disposing of the device in a proper way you help to avoid harmful consequences to environment and health.

Further information about recycling the device is available from the competent authority, the local refuse disposal service or the vendor of the device.

Dispose of the device, which is to be discarded, via a specialised waste collection point for electronic and electrical devices.

In accordance with the Directive 2012/19/EU, regarding the reduction of the hazardous substances used in electrical and electronic appliances, and waste disposal.

The barred dustbin symbol on the appliance indicates that at the end of its working life the product must not be disposed of as household waste.

Consequently, when the appliance has reached the end of its working life the user must take it to a suitable recycling centre for electronic and electrotechnical waste, or return it to the dealer when purchasing a new appliance of equivalent type.

Proper separate waste collection of the scrapped appliance for subsequent recycling, treatment and environmentally-friendly disposal helps prevent a potentially negative impact on the environment and health and facilitates recycling of the materials used in appliance construction.

Information for test institutes

To calculate the volume, remove the internal wire side runners, if present (according to standards 2009/60350-50304/EN).

INHALTSVERZEICHNIS

Zu dieser Bedienungsanleitung	16	Bedienung	24
Bestimmungsgemäße Verwendung	17	Funktionen des Backofens	24
Sicherheitshinweise	17	Erstmalige Benutzung	25
Installation	20	Ausbauen der Ofentür	25
Überblick	22	Reinigung/Instandhaltung	26
Bedientafelfunktionen	23	Kundendienst	27
		Entsorgung	28

ZU DIESER BEDIENUNGSANLEITUNG

Sehr geehrter Kunde

Wir danken Ihnen und beglückwünschen Sie zu Ihrer Wahl. Dieses neue Produkt, sorgfältig entworfen und mit erstklassigen Materialien hergestellt, wurde genau geprüft um alle Ihre Forderungen an ein perfektes Kochen zu erfüllen. Wir bitten Sie deshalb die einfachen Anweisungen zu lesen und einzuhalten, damit von der ersten Anwendung an ausgezeichnete Ergebnisse erreicht werden können.

Diese Bedienungsanleitung gilt für verschiedene Modelle des Geräts.

Auf diese Weise ist es möglich, dass einige der beschriebenen Merkmale und Funktionen an Ihrem spezifischen Modell nicht verfügbar sind.

- ▶ Lesen Sie die Bedienungsanleitung durch, bevor Sie das Gerät benutzen.
- ▶ Bewahren Sie die Bedienungsanleitung auf.
- ▶ Benutzen Sie das in dieser Bedienungsanleitung beschriebene Gerät nur gemäß der bestimmungsgemäßen Verwendung.

Franke behält sich das Recht vor, Änderungen am Produkt ohne vorherige Ankündigung vorzunehmen. Alle Informationen waren zum Zeitpunkt der Veröffentlichung korrekt.

Symbol Bedeutung



Warnzeichen. Warnung vor Verletzungsgefahren.



Maßnahmen in Sicherheits- und Warnhinweisen zur Vermeidung von Schäden und Verletzungen.



Handlung. Hier müssen Sie etwas tun.



Resultat. Ergebnis einer oder mehrerer Handlungen.

BESTIMMUNGSGEMÄSSE VERWENDUNG

Der Multifunktionsofen wurde ausschließlich für den nicht gewerblichen, privaten Gebrauch im Haushalt entwickelt. Der Ofen sorgt für Profileistungen im Haushalt.

Mit diesem äußerst vielseitigen Gerät lassen sich verschiedene Garmethoden sicher und einfach auswählen.

SICHERHEITSHINWEISE

▷ Gebrauchsanweisung und Sicherheitshinweise vor der Verwendung des Ofens aufmerksam lesen.

▷ Gebrauchsanweisung sorgfältig aufbewahren, um auch zu einem späteren Zeitpunkt darauf zurückgreifen zu können.

Der Hersteller haftet nicht für etwaige Schäden, die durch fehlerhafte Installation und falschen, unsachgemäßen oder unangemessenen Gebrauch entstehen können.

Die elektrische Sicherheit des Ofens ist nur gewährleistet, wenn er an eine vorschriftsgemäße Erdungsanlage angeschlossen ist. Für den sicheren und effizienten Betrieb dieses Elektrogeräts:

▷ Kontaktieren Sie nur autorisierte Kundendienststellen.

▷ Nehmen Sie keine Änderungen an den Gerätefunktionen vor.

▷ Dieses Gerät kann von Kindern ab 8 Jahren und von Personen mit eingeschränkten physischen, sensorischen oder geistigen Fähigkeiten oder mangelnder Erfahrung oder Kenntnisse im Umgang mit dem Gerät benutzt werden, wenn sie vorher in die sichere Verwendung des Geräts eingewiesen wurden und die damit verbundenen Gefahren verstanden haben.

▷ Kinder dürfen nicht mit dem Gerät spielen.

▷ Unbeaufsichtigte Kinder dürfen das Gerät nicht reinigen oder warten.

▷ Dieses Gerät ist kein Spielzeug.

▷ Lassen Sie Kinder in der Nähe des Geräts nicht unbeaufsichtigt.

▷ Kinder nicht mit dem Gerät spielen lassen.

▷ Kinder dürfen das Gerät oder die Bedienelemente während des Betriebs oder

unmittelbar danach nicht berühren.

- ▷ Das Gerät muss so eingebaut werden, dass die vollständige Trennung von der Stromquelle mit einem Kontaktöffnungsabstand ermöglicht wird (gemäß Überspannungskategorie III). Die Trennvorrichtung ist gemäß den Verkabelungsvorschriften in die feste Verkabelung einzubinden.
- ▷ Nur das für diesen Ofen empfohlene Bratenthermometer verwenden.
- ▷ Das Gerät sollte nicht hinter einer Dekortür installiert werden, um eine Überhitzung zu vermeiden.



Verbrennungsgefahr!

- ▷ Während der Verwendung wird das Gerät heiß. Es sollte sorgfältig vermieden werden, Heizelemente innerhalb des Ofens zu berühren. Kinder unter 8 Jahren dürfen sich dem Gerät nur unter Aufsicht nähern.



Verbrennungsgefahr!

Der Türgriff kann aufgrund austretender Heißluft zum Rand hin heißer sein.

- ▷ Die Bedienknöpfe müssen immer in ausgeschalteter Position sein, wenn der Ofen nicht benutzt wird.

WARNUNG: Vergewissern Sie sich vor dem Auswechseln der Lampe, dass das Gerät ausgeschaltet ist, um die Möglichkeit von Stromschlägen auszuschließen.

- ▷ Verwenden Sie keine scheuernden Reinigungsmittel oder scharfen Metallschaber zum Reinigen der Glastür des Ofens/der Glasflächen von Scharnierdeckeln des Kochfelds (wenn zutreffend), da diese die Oberfläche zerkratzen und zum Glasbruch führen können.
- ▷ Reinigen Sie das Gerät nicht mit Dampfreinigern oder direktem Wasserstrahl.
- ▷ Falls das Netzkabel beschädigt ist, muss es durch den Hersteller, dessen Kundendienstvertreter oder Personen mit ähnlicher Qualifikation ersetzt werden, um Gefahren zu vermeiden.

VORSICHT: Damit es nicht zu einer unbeabsichtigten Rücksetzung des Temperaturbegrenzers kommen kann, darf das Gerät nicht über ein externes Schaltgerät

wie eine Zeitschaltuhr mit Strom versorgt oder an einen elektrischen Stromkreis angeschlossen werden, der regelmäßig von der Anlage ein- und ausgeschaltet wird.

Das Produkt ist mit einer Lichtquelle der Energieeffizienzklasse „G“ ausgestattet.

Korrekte Installation und Aufstellung

- ▷ Halten Sie Kinder vom Gerät und vom Verpackungsmaterial fern.
- Wenn der Backofen dauerhaft an das Stromnetz angeschlossen werden soll:
- ▷ Installation nur vom Kundendienst, einem Elektriker oder entsprechend geschultem Fachpersonal durchführen lassen.
 - ▷ Das Gerät muss direkt an die Netzsteckdose angeschlossen werden. Für den Anschluss des Geräts dürfen keine Adapter, Mehrfachsteckdosen oder Verlängerungskabel verwendet werden.
 - ▷ Achten Sie darauf, dass das Gerät keinen Witterungseinflüssen (Regen, Sonne) ausgesetzt ist.



Lebensgefahr!

- ▷ Halten Sie Haustiere vom Gerät fern.
- ▷ Verpackungsmaterialien, z. B. Plastikfolie und Polystyrol, stellen eine Gefahr für Kinder dar.
- ▷ Halten Sie Kinder vom Verpackungsmaterial fern.

Richtige Verwendung

- ▷ Verwenden Sie das Gerät nur zum Kochen und Zubereiten von Speisen.
- ▷ Backhandschuhe beim Hineinschieben und Herausnehmen von Formen verwenden.

- ▷ Beim Gebrauch des Ofens die Bedienungsanleitungen der Kochgeräte beachten, die zusammen mit dem Ofen verwendet werden.
- ▷ Keine Stromkabel anderer elektrischer Geräte auf heiße Teile des Ofens legen.
- ▷ Keine brennbaren Flüssigkeiten in der Nähe des Ofens verwenden.



Überhitzungsgefahr und Funktionsausfall des Ofens bei blockierter Lüftung!

- ▷ Innenwände des Ofens nie mit Alufolie auskleiden.
- ▷ Nicht die Ventilations- oder Lüftungsschlitze über der Ofentür blockieren.



Verbrennungsgefahr!

- ▷ Beim Öffnen und Schließen der Tür den Türgriff immer in der Mitte anfassen.



Stromschlaggefahr durch defektes Gerät!

- ▷ Defektes Gerät nicht einschalten.
- ▷ Sicherung im Sicherungskasten ausschalten.
- ▷ Kundendienst benachrichtigen.



Stromschlaggefahr!

- ▷ Das Gerät nicht mit nassen Körperteilen berühren.
- ▷ Das Gerät nicht bedienen, wenn Sie barfuß sind.
- ▷ Nicht am Gerät oder Stromkabel ziehen, um den Stecker aus der Steckdose zu ziehen.

Pflege und Reinigung

Vor Reinigungs- oder Instandhaltungsarbeiten:

- ▷ Gerät von der Stromversorgung trennen, z. B. Sicherung im Sicherungskasten ausschalten.



Stromschlaggefahr durch eindringende Flüssigkeit!

Das Gerät enthält elektrische Teile.

- ▷ Stellen Sie sicher, dass keine Flüssigkeit ins Geräteeinnere gelangt.
- ▷ Nicht mit Dampfdruck reinigen.
- ▷ Bedienelemente nicht mit nassem Tuch reinigen.

Reparatur

- ▷ Montage oder Reparatur des Geräts nur vom Fachmann ausführen lassen.
- ▷ Wenden Sie sich in folgenden Fällen unbedingt an eine vom Hersteller autorisierte Kundendienststelle oder einen Fachmann:
 - Falls unmittelbar nach dem Auspacken Zweifel an der Unversehrtheit des Geräts bestehen
 - Während der Installation (nach Anweisungen des Herstellers)
 - Falls Zweifel hinsichtlich des korrekten Betriebs des Geräts bestehen
 - Bei Funktionsausfall oder Funktionsstörung

- Zum Auswechseln der Netzsteckdose, falls die vorhandene nicht zum Gerätestecker passen sollte.

Außerbetriebsetzung

Wenn der Ofen nicht mehr benutzt wird, Kundendienststelle oder Fachmann benachrichtigen, um das Gerät von der Stromversorgung zu trennen

Informationen zum Energiesparen

Nach Möglichkeit ein Vorheizen des Ofens vermeiden und immer versuchen, ihn zu füllen. Die Ofentür nur wenn unbedingt nötig öffnen, da bei jedem Öffnen Wärme aus dem Garraum austritt. Für eine deutliche Energieeinsparung den Backofen 5 bis 10 Minuten vor dem geplanten Ende der Garzeit ausschalten und die Restwärme, die der Backofen weiterhin erzeugt, nutzen. Die Dichtungen sauber und in gutem Zustand halten, um einen Wärmeaustritt aus dem Garraum zu vermeiden. Wenn Sie einen Stromvertrag mit einem Stundentarif haben, hilft das Programm „Verzögerter Kochstart“ bei der Energieeinsparung, indem der Garvorgang auf die Zeitspanne mit reduzierten Stromtarif verschoben wird.

INSTALLATION

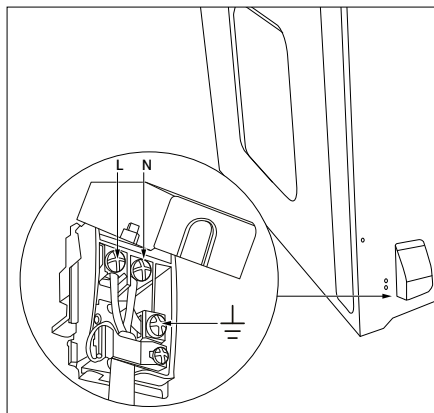
Einbau des Backofens

- ▶ Der Ofen kann unter einem Kochfeld oder in einen Schrank eingebaut werden. Die Einbaumaße müssen den auf der Abbildung dargestellten entsprechen.
- ▶ Das Möbelmaterial muss hitzebeständig sein.
- ▶ Der Backofen muss zu den Möbelwänden zentriert, und mit den mitgelieferten Schrauben und Buchsen befestigt werden.

Stromanschluss

- ▷ Vor der Durchführung des Stromanschluss muss sichergestellt werden, dass:
 - ▶ Die Eigenschaften der Stromnetzes mit den Werten auf dem vorne am Ofen angebrachten Typenschild übereinstimmen.

- ▶ Das Stromnetz gemäß den geltenden Bestimmungen und Rechtsvorschriften geerdet ist. Die Erdung ist gesetzlich vorgeschrieben.
- ▷ Das Kabel darf an keiner Stelle eine Temperatur von über 50° C erreichen.
- ▷ Vorrichtung ausgestattet ist, das die Trennung vom Netz gewährleistet, und dessen Öffnungsweg der Kontakte die vollständige Trennung unter den Bedingungen der Überspannungskategorie III gestattet, so müssen diese Trenneinrichtungen gemäß den Installationsvorschriften im Versorgungsnetz vorgesehen sein.
- ▷ Die Steckdose bzw. der allpolige Schalter müssen bei installiertem Gerät problemlos zugänglich sein.



Kabeltypen und minimale durchmesser

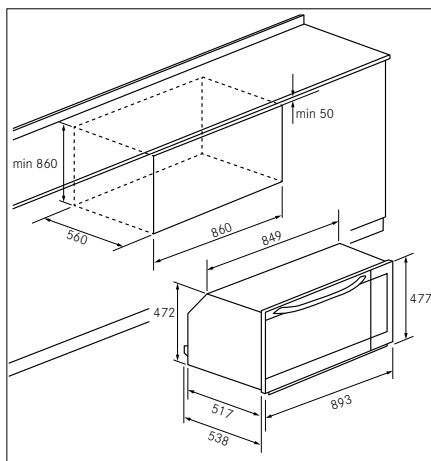
H05RR-F	3x1,5 mm ²
H05VV-F	3x1,5 mm ²
H05RN-F	3x1,5 mm ²
H05V2V2-F	3x1,5 mm ²
SASO	
H05RR-F	3x2,5 mm ²
H05VV-F	3x2,5 mm ²
H05RN-F	3x2,5 mm ²
H05V2V2-F	3x2,5 mm ²



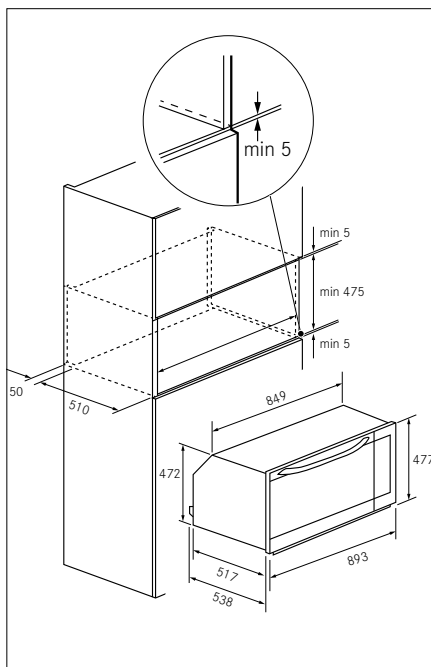
WARNUNG! Der Hersteller ist nicht haftbar, wenn die obigen Anweisungen und die üblichen Unfallverhütungsvorschriften nicht befolgt werden.

Einbau des Backofens

Unter der Theke eingebaut



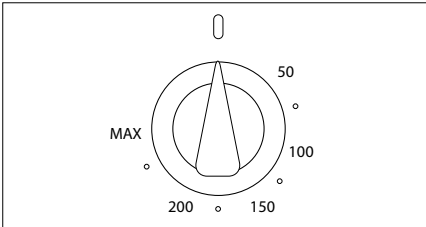
Einbau Hochschrank



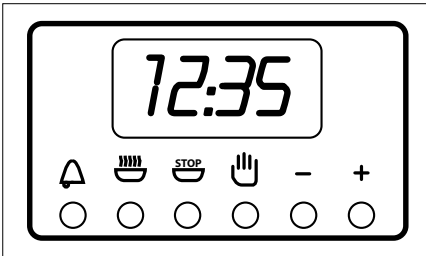
ÜBERBLICK

Thermostat

- ▶ Temperaturregler, mit dem die je nach Gargut geeignete Gartemperatur eingestellt wird, und der auf Temperaturen zwischen 50° und 250° C eingestellt werden kann.



Elektronische Zeitschaltuhr Mit 6 Tasten



Einstellung der Uhr

- ▶ Gleichzeitig die Tasten für Gardauer (Korb) und Garende (Korb mit STOP) drücken und die Tasten + / - betätigen, bis die gewünschte Uhrzeit eingestellt ist.

Manualbetrieb

- ▶ Für unbestimmte Garzeiten die Taste (Hand) Manualbetrieb drücken.

Halbautomatischer Betrieb gardauer

- ▶ Für bestimmte Garzeiten. Die Taste für Gardauer drücken und mit den Tasten + / - die erforderliche Garzeit einstellen.
- ▶ Nach Ablauf der eingestellten Garzeit ertönt der Signalton und der Backofen wird ausgeschaltet.
- ▶ Den Drehgriff des Thermostats und des Umschalters wieder auf 0 stellen und dann die Taste für den Manualbetrieb drücken.

Halbautomatischer Betrieb garende

- ▶ Für bestimmte Garzeiten die Taste (Korb mit STOP) für Garende drücken und mit den Tasten + / - die Uhrzeit einstellen, in der der Backofen ausgeschaltet werden soll.
- ▶ Nach Ablauf der eingestellten Garzeit ertönt der Signalton und der Backofen wird ausgeschaltet.
- ▶ Den Drehgriff des Thermostats und des Umschalters wieder auf 0 stellen und dann die Taste für den Manualbetrieb drücken.

Automatikbetrieb

- ▶ Für bestimmte Garzeiten. Die Taste für Gardauer drücken (Korb) und mit den Tasten + / - die erforderliche Garzeit einstellen.
- ▶ Die Taste für Garende drücken (Korb mit STOP) und die Uhrzeit einstellen, in der der Backofen ausgeschaltet werden soll.
- ▶ Bei Programmende blinkt das Symbol AUTO und es ertönt der Signalton, der durch Drücken einer beliebigen Taste abgestellt wird.

Kurzzeitmesser

- ▶ Die Taste des Kurzzeitmessers drücken und mit der Taste + / - die gewünschte Garzeit einstellen.
- ▶ Nach Ablauf der eingestellten Garzeit ertönt der Signalton, der durch Drücken einer beliebigen Taste abgestellt werden kann.

Programmierungsfehler

- ▶ Ein Programmierungsfehler liegt vor, wenn die von der Uhr angezeigte Uhrzeit zwischen Garbeginn und Garende liegt.
- ▶ Der Fehler wird durch einen Warnton und durch Blinken des Symbols AUTO signalisiert.
- ▶ Der Programmierungsfehler kann durch Änderung der Gardauer oder der Garzeit korrigiert werden.

Löschen eines Programms

- ▶ Ein Programm kann durch Drücken der Manualbetrieb-Taste gelöscht werden.

Bedientafelfunktionen

Funktionssymbole Am schalter



Ofenbeleuchtung

Bleibt während des Betriebs immer eingeschaltet.



Ober- und Unterhitze

Einstellung des Thermostats von 50 °C auf MAX.



Oberhitze, Unterhitze mit Ventilator

Einstellung des Thermostats von 50 °C auf MAX.



Heißluft mit Ventilator

Einstellung des Thermostats von 50 °C auf MAX.



Unterhitze mit Ventilator

Einstellung des Thermostats von 50 °C auf MAX.



Doppelte Oberhitze mit Ventilator (großflächiger Grill)

Einstellung des Thermostats von 50 °C auf 200 °C.



Oberhitze (Grill mit reduzierter Fläche und Leistung)

Einstellung des Thermostats von 50 °C auf 200 °C.



Diese Betriebsart beabsichtigt Energie zu sparen

Besonders bei tiefgefrorenen oder vorgekochten Speisen und kleinen Portionen geeignet. Das Vorheizen ist sehr kurz und das Garen erfolgt langsamer. Es ist nicht für große Mengen oder große Zubereitungen geeignet.

BEDIENUNG

Funktionen des Backofens

Konventionelles Backen



Klassisches System, bei dem Unter- oder Oberhitze verwendet wird, die für das Garen nur eines Gerichts geeignet ist. Die Speisen sollten möglichst eingeschoben werden, wenn der Backofen bereits die vorgegebene Temperatur erreicht hat, das heißt, nach Erlöschen der Kontrolllampe. Wenn die Unter- oder Oberhitze gegen Ende des Backvorgangs erhöht werden muss, ist der Schalter in die jeweilige gewünschte Position zu bringen. Während des Backvorgangs sollte die Ofentür möglichst wenig geöffnet werden.

Auftauen

Falls eine der Umluftfunktionen ausgewählt und der Thermostat auf Null gestellt wird, führt der Ventilator Kaltluft in den Ofen und fördert das schnelle Auftauen der Tiefkühlkost.



Umluft Backen



Bei dieser Garart bringt der Ventilator, der sich im hinteren Ofenteil befindetet, heiße Umluft in den Ofen und verteilt diese gleichmäßig, wobei die Garzeit geringer als beim konventionellen Backen ist. Diese Methode eignet sich zum Garen auf mehreren Einschubhöhen, auch von Speisen unterschiedlicher Art (Fisch, Fleisch usw.).



Grillen



Zum Grillen oder Bräunen der Speisen. Einige Backöfen sind komplett mit Stabmotor und Drehspieß für Spießbraten ausgestattet. Der Rost mit dem Gargut wird in der 1. oder 2. Schiene von oben eingeschoben. Den Backofen 5 Minuten vorheizen. Den Thermostat - Drehgriff auf Temperaturen von 50 °C bis 200 °C drehen.

Kühlventilator

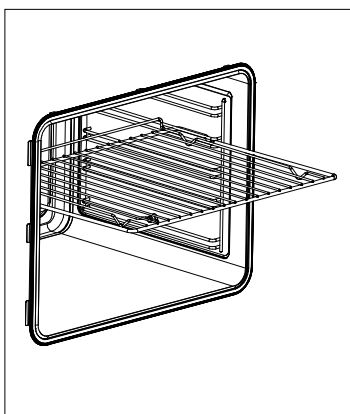
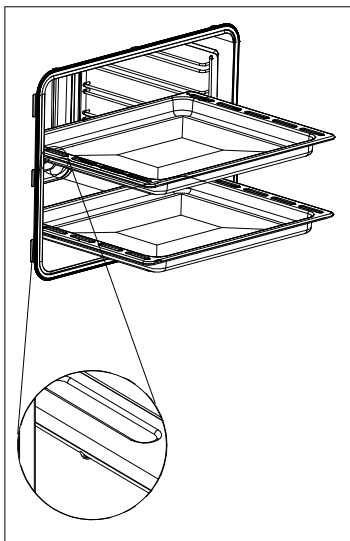
- ▶ Der Kühlventilator befindet sich auf der oberen Seite des Backofens und dient zur Kühlung sowohl des Einbaumöbels als auch der Backofentüre.
- ▶ Der Ventilator schaltet sich selbsttätig ein, wenn das äußere Gehäuse des Backofens eine Temperatur von 60 °C überschreitet.
- ▶ Wird der Backofen z.B. auf 200 °C eingestellt, schaltet sich die Kühlung nach etwa 10 Min ein. Der Ventilator schaltet sich selbsttätig aus, wenn das äußere Gehäuse des Backofens eine Temperatur von 60 °C wieder überschreitet.
- ▶ z.B. schaltet sich die Kühlung nach Betrieb auf 200 °C nach etwa 30 Min. aus.

WICHTIG: Ein Vorheizen des Ofens ist eigentlich nicht notwendig, aber für Patisserie dennoch empfehlenswert.

Platzierung der Grillroste

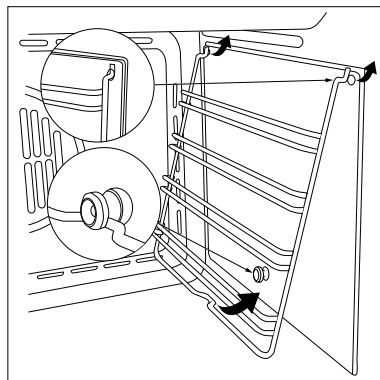
Für das korrekte Einsetzen der Gitter wird auf die darunterliegenden Abbildungen verwiesen:

Ausbaubare schienen



Erstmalige Benutzung

- ▶ Der Backofen muss gründlich mit Seifenwasser gesäubert werden.
- ▶ Wie auf der Abbildung dargestellt vorgehen, um bei den Öfen mit glatten Wänden die seitlichen Backbleche herauszunehmen.

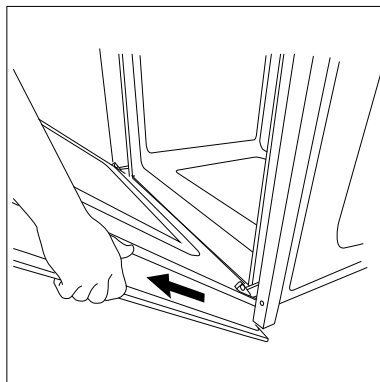
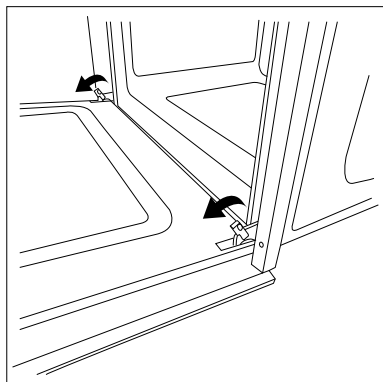


- ▶ Den Backofen für etwa 30 Minuten auf Höchsttemperatur aufheizen; auf diese Weise werden alle fettartigen Bearbeitungsrückstände eliminiert, die beim Backen unangenehme Gerüche verursachen könnten.

Ausbauen der Ofentür

Die Backofentür kann mühelos ausgebaut werden. Dazu folgendermaßen vorgehen:

- ▶ Die Tür ganz öffnen.
- ▶ Die zwei auf Abb. dargestellten Hebel anheben.
- ▶ Die Tür wieder bis zur ersten, von den zwei zuvor angehobenen Hebeln bestimmten Einrastung schließen.
- ▶ Die Tür nach oben und nach außen anheben und herausnehmen.



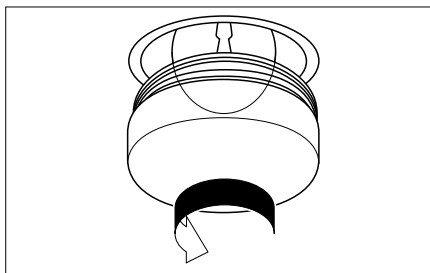
- ▶ Um die Tür wieder einzubauen, die Scharniere wieder einsetzen und dann die zwei Hebel in Schließstellung bringen.

REINIGUNG/INSTANDHALTUNG

Auswechslung der ofenbeleuchtung

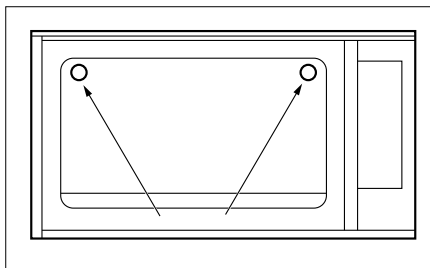
WICHTIG: Die Ofenbeleuchtung muss folgende Merkmale aufweisen:

- Hochtemperatur - beständig (bis zu 300 Grad)
- Stromversorgung: siehe Anschlusswerte V/Hz auf dem Typenschild.
- Leistung 25 W
- Sockel E14

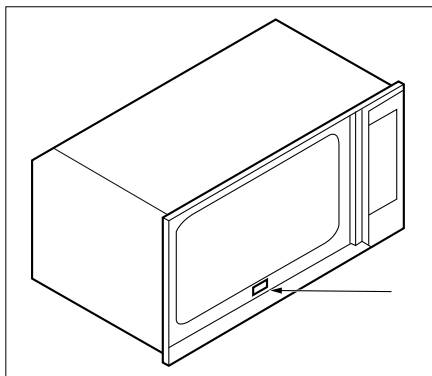


WARNUNG! Das Gerät zuallererst vom Stromnetz abtrennen.

- ▶ Zur Vermeidung von Schadensfällen, ist im Ofen ein Geschirrtuch auszubreiten.
- ▶ Lampenabdeckung aus Glas abschrauben.
- ▶ Alte Lampe abschrauben und mit einer neuen Beleuchtung auswechseln.
- ▶ Lampenabdeckung wieder anmontieren und Geschirrtuch entfernen.
- ▶ Das Gerät erneut an das Stromnetz anschließen.



WICHTIG: Das Typenschild mit den technischen Merkmalen des Backofens ist auch bei installiertem Gerät zugänglich. Auf diesem Typenschild, das bei Öffnen der Ofentür sichtbar ist, sind auch alle Kenndaten des Geräts aufgeführt, die bei eventuellen Ersatzteilbestellungen angegeben werden müssen.



KUNDENDIENST

Ersatzteile

- ▷ Für den Kundendienst am Haushaltsgerät dürfen nur genehmigte Bauteile eingesetzt werden.
- ▷ Keinen Bauteil des Backofens reparieren oder austauschen, wenn dies nicht in dieser Anleitung empfohlen wurde.
- ▷ Alle Eingriffe und Reparaturen müssen durch befugtes technisches Personal ausgeführt werden.

Für die Anforderung eines Ersatzteils sind folgende Daten anzugeben:

- Kürzel des Backofenmodells (MOD.) und Seriennummer (S.N.), die sich auf dem Typenschild befinden, das im unteren, vorderen Bereich der Backofenfront angebracht ist.
- Beschreibung und Nummer des Ersatzteils, technische Information, die nur dem autorisierten Kundendienst zur Verfügung steht.
- Zuletzt sind die Daten des Händlers anzugeben, der den Backofen verkauft hat, sowie die Daten der Ihnen nächstgelegenen Kundendienststelle.

Kundendienst

Falls Sie für Ihren Backofen den technischen Kundendienst und/oder Ersatzteile benötigen, wenden Sie sich an den Händler oder die nächstgelegene Kundendienststelle.

Auch in diesem Fall sind die vollständigen Gerätedaten mitzuteilen, die sich auf dem Aluminium-Typenschild befinden:

- Modell (MOD.)
- Seriennummer (S.N.), usw. (im unteren Bereich der Backofenfront angebrachtes Schild).

ENTSORGUNG

Informationen für Anwender



Das Symbol am Produkt oder auf der Verpackung weist darauf hin, dass das Gerät nicht als normaler Hausmüll entsorgt werden darf.

Mit der vorschriftsmäßigen Entsorgung des Gerätes tragen Sie dazu bei, schädliche Auswirkungen auf Umwelt und Gesundheit zu vermeiden.

Weitere Informationen zum Recycling des Gerätes erhalten Sie bei der zuständigen Behörde, der örtlichen Abfallbeseitigung oder beim Händler, der das Gerät verkauft hat. Entsorgen Sie ausrangiertes Gerät über die speziellen Sammelstellen für elektrische und elektronische Geräte.

Gemäß Richtlinie 2012/19/EU zur Beschränkung der Verwendung gefährlicher Stoffe in Elektro- und Elektronikgeräten sowie Entsorgung von Altgeräten.

Das Symbol einer durchgestrichenen Abfalltonne weist darauf hin, dass das Produkt am Ende seiner Lebensdauer nicht zusammen mit dem Haushaltsmüll entsorgt werden darf.

Daher muss das Gerät am Ende seiner Lebensdauer zu einer geeigneten Sammelstelle für das Recycling elektrischer und elektronischer Geräte gebracht oder beim Kauf eines vergleichbaren Neugeräts beim Händler abgegeben werden.

Die sachgemäße getrennte Sammlung von Altgeräten für eine anschließende Wiederverwendung, Aufbereitung und umweltfreundliche Entsorgung dient der Vorbeugung von potenziellen Umwelt- und Gesundheitsschäden. Sie erleichtert das Recycling der bei der Geräteherstellung eingesetzten Materialien.

Informationen für Prüfstellen

Zur Berechnung des Volumens müssen Sie die im Inneren eventuell vorhandenen seitlichen Drahtschienen entnehmen (gemäß EN-Normen 2009/60350-50304)

SOMMAIRE

À propos de ce manuel	29	Fonctionnement	37
Usage prévu	30	Fonctions du four	37
Informations sur la sécurité	30	Première utilisation	38
Installation	33	Démontage de la porte du four	38
Vue d'ensemble	35	Nettoyage et entretien	39
Conctions du panneau de commande	36	Assistance	40
		Mise au rebut	41

À PROPOS DE CE MANUEL

Chère cliente, Cher client

Merci et sincères félicitations pour le choix que vous avez fait. Ce nouveau produit, conçu avec soin et fabriqué avec des matières de toute première qualité, a été soigneusement testé pour satisfaire toutes vos exigences d'une cuisson parfaite. Nous vous prions de bien vous vouloir lire et suivre des simples instructions, que vous permettront d'atteindre d'excellents résultats dès la première utilisation.

Ce manuel d'utilisation s'applique à plusieurs modèles de cet appareil. Il est donc possible que certaines des fonctions et caractéristiques décrites ne soient pas disponibles sur votre modèle.

- ▶ Lire attentivement le manuel d'utilisation avant d'utiliser l'appareil.
- ▶ Conserver le manuel d'utilisation.
- ▶ Utiliser l'appareil décrit dans ce manuel d'utilisation uniquement pour l'usage prévu.

Franke se réserve le droit d'apporter des modifications au produit sans préavis. Toutes les informations sont correctes au moment de la publication.

Symbole Signification



Symbole d'avertissement. Avertissement contre les risques de blessures.



Actions dans les consignes de sécurité et avertissements pour éviter les blessures et les dommages.



Étape d'action. Indique une action à effectuer.



Résultat. Résultat d'une ou de plusieurs étapes d'action.

USAGE PRÉVU

Le four a été développé pour un usage non professionnel exclusivement et une utilisation domestique par les ménages.

Le four est conçu pour offrir des performances de qualité professionnelle à la maison.

C'est un appareil très polyvalent permettant une sélection facile et sécurisée des divers modes de cuisson.

INFORMATIONS SUR LA SÉCURITÉ

▷ Veuillez lire attentivement le manuel d'utilisation et les informations sur la sécurité avant d'utiliser le four.

▷ Conservez ce manuel pour référence ultérieure.

Le fabricant ne peut être tenu pour responsable des dommages consécutifs à une mauvaise installation ou à une utilisation incorrecte, non conforme ou abusive de l'appareil.

La sécurité électrique du four n'est garantie que s'il est branché à un système de mise à la terre conformément aux réglementations en vigueur.

Pour assurer un fonctionnement efficace et sûr de cet appareil électrique :

- ▷ Contacter uniquement les centres de maintenance agréés.
- ▷ Ne pas modifier les fonctionnalités de l'appareil.
- ▷ Cet appareil peut être utilisé par des enfants âgés de plus de 8 ans et des personnes

ayant des capacités physiques, sensorielles ou mentales réduites ou un manque d'expérience et de connaissances, si elles sont surveillées ou formées à l'utilisation de l'appareil, d'une manière sûre et si elles comprennent les risques impliqués.

- ▷ Ne laissez pas les enfants jouer avec l'appareil.
- ▷ Le nettoyage et la maintenance par l'utilisateur ne doivent pas être effectués par des enfants sans surveillance.
- ▷ Cet appareil n'est pas un jouet.
- ▷ Ne pas laisser les enfants sans surveillance à proximité de l'appareil.
- ▷ Ne pas laisser les enfants jouer avec l'appareil.
- ▷ Ne pas autoriser les enfants à toucher à l'appareil ou à ses commandes pendant l'utilisation et immédiatement après.

- ▷ S'assurer que l'appareil est installé de manière à permettre son débranchement de l'alimentation électrique, avec une distance d'ouverture des contacts garantissant une déconnexion complète dans les conditions de surtension de catégorie III. Les moyens de déconnexion doivent être incorporés dans le câblage fixe conformément aux règles de câblage.
- ▷ Utiliser uniquement la sonde de température recommandée pour ce four.
- ▷ N'installez pas l'appareil derrière une porte décorative afin d'éviter toute surchauffe.



Risque de brûlures !

- ▷ L'appareil chauffe pendant son utilisation. Faire attention à ne pas toucher les éléments chauffants dans le four. Les enfants de moins de 8 ans doivent être tenus à l'écart de l'appareil, à moins d'être sous surveillance constante.



Risque de brûlures !

- L'extrémité de la poignée peut être brûlante à cause de l'air chaud évacué.
- ▷ Toujours s'assurer que les boutons de commande sont en position OFF (éteinte)

quand le four n'est pas en cours d'utilisation.

ATTENTION : s'assurer que l'appareil est hors tension avant de remplacer l'ampoule pour éviter tout risque d'électrocution.

- ▷ Ne pas utiliser de détergents abrasifs ou raclettes métalliques pour nettoyer la vitre de la porte du four / la vitre des couvercles à charnière de la plaque (le cas échéant), car cela risquerait de rayer la surface et causer la dégradation du verre.
- ▷ Ne pas utiliser de nettoyeurs à vapeur ou de jets d'eau directs. Si le câble d'alimentation est endommagé, il doit être remplacé par le fabricant, son technicien agréé ou toute autre personne ayant une qualification semblable afin d'éviter tout risque.

ATTENTION : fin d'éviter un risque dû à une réinitialisation erronée du thermorupteur, cet appareil ne doit pas être alimenté via un appareil de connexion externe, comme un minuteur ou bien connecté à un circuit régulièrement mis en et hors service par la société d'approvisionnement en électricité.

Produsul conține o sursă de iluminare care face parte din clasa de eficiență energetică „G“.

Installation et placement corrects

- ▷ Tenir l'appareil et le matériel d'emballage hors de portée des enfants.
- Si le four doit rester branché en permanence :
 - ▷ S'assurer que l'appareil est exclusivement installé par le service clientèle, un électricien ou du personnel qualifié, ayant les connaissances et la formation appropriées.
 - ▷ Vérifier que l'appareil est connecté directement à la prise secteur. S'assurer qu'aucun adaptateur, multiprise ou autre rallonge ne sont utilisés pour brancher l'appareil.
 - ▷ Assurez-vous que l'appareil n'est pas exposé aux agents atmosphériques (pluie, soleil).



Danger de mort !

- ▷ Tenez vos animaux à l'écart de l'appareil.
- ▷ Les matériaux d'emballage, tels que les films plastiques et le polystyrène, peuvent être dangereux pour les enfants.
- ▷ Conservez le matériel d'emballage hors de portée des enfants.

Utilisation conforme

- ▷ Utilisez l'appareil uniquement pour préparer et cuire des aliments.
- ▷ Utiliser des gants de protection lors de la mise en place ou du retrait de récipients du four.
- ▷ Observer les manuels des appareils de cuisson utilisés avec le four lors de leur utilisation.
- ▷ Ne pas placer les câbles d'alimentation d'autres appareils électriques sur des parties chaudes du four.
- ▷ Ne pas utiliser de liquides inflammables à proximité du four.



Risque de surchauffe et de dysfonctionnement du four en raison de l'obstruction de la ventilation !

- ▷ Ne jamais couvrir les parois intérieures du four avec une feuille d'aluminium.
- ▷ Ne pas obstruer les fentes de ventilation ni les ouvertures permettant le refroidissement au-dessus de la porte du four.



Risque de brûlures !

- ▷ Lors de l'ouverture ou la fermeture de la porte, toujours tenir la poignée de la porte par le centre.



Risque d'électrocution en cas d'appareil endommagé !

- ▷ Ne pas allumer un appareil défectueux.
- ▷ Baisser le fusible dans le tableau électrique.
- ▷ Contacter le service clientèle.



Risque d'électrocution !

- ▷ Ne pas toucher l'appareil avec des doigts ou autres parties du corps mouillés.
- ▷ Ne pas utiliser l'appareil pieds nus.
- ▷ Ne pas tirer sur l'appareil ou le câble d'alimentation pour débrancher la prise.

Maintenance et nettoyage

Avant toute opération de maintenance ou de nettoyage :

- ▷ Débrancher l'appareil de l'alimentation électrique, en baissant par exemple le fusible dans le tableau électrique.



Risque d'électrocution en cas d'infiltration de liquides !

L'appareil contient des composants électriques.

- ▷ S'assurer qu'aucun liquide ne pénètre à l'intérieur de l'appareil.
- ▷ Ne pas utiliser de vapeur sous pression pour nettoyer l'appareil.

- ▷ Ne pas utiliser de chiffon humide pour nettoyer les éléments fonctionnels.

Réparation

- ▷ Ne laisser personne, à l'exception du personnel qualifié, installer ou réparer l'appareil.
- ▷ Contacter un centre de service après-vente agréé par le fabricant ou du personnel qualifié dans les cas suivants :
 - Immédiatement après le déballage, en cas de doutes concernant l'intégrité de l'appareil
 - Lors de l'installation (selon les instructions du fabricant)
 - En cas de doutes sur le bon fonctionnement de l'appareil
 - En cas de dysfonctionnement ou de mauvais fonctionnement
 - Pour le remplacement de la prise de courant si elle est incompatible avec la fiche d'alimentation de l'appareil.

Mise hors service

- ▷ Si vous n'utilisez plus le four, appelez le centre de service après-vente ou du personnel qualifié pour le débrancher de la source d'alimentation.

Informations pour l'économie d'énergie

Dans la mesure du possible, éviter de préchauffer le four et toujours essayer de le remplir. Ouvrir la porte du four le moins souvent possible, car la chaleur de la cavité se disperse chaque fois qu'elle est ouverte. Pour une économie d'énergie significative, éteindre le four entre 5 et 10 minutes avant la fin prévue du temps de cuisson et utiliser la chaleur résiduelle que le four continue à générer. Maintenir les joints propres et en bon état pour éviter toute dispersion de chaleur à l'extérieur de la cavité. Si vous disposez d'un contrat de fourniture électrique à tarif horaire, le programme « delayed cooking » (cuisson différée) simplifie l'économie d'énergie en faisant démarrer le processus de cuisson à la tranche horaire à tarif réduit.

INSTALLATION

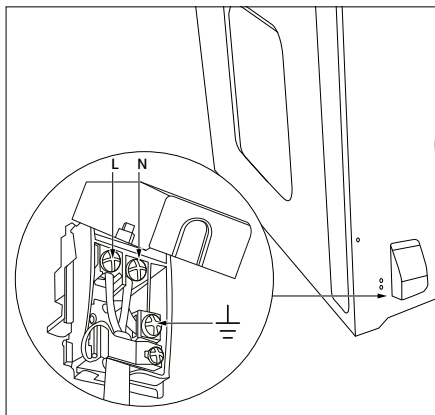
Encastrement du four

- ▶ Le four peut être installé sous un plan de cuisson ou dans une colonne. Les dimensions de l'encastrement doivent correspondre à celles qui sont indiquées sur la figure.
- ▶ Le matériau avec lequel le meuble est réalisé doit être en mesure de résister à la chaleur.
- ▶ Le four doit être centré par rapport aux parois du meuble et fixé avec les vis et les douilles fournies à cet effet.

Branchement électrique

- ▷ Avant d'effectuer le branchement électrique, s'assurer que :
 - ▶ Les caractéristiques de l'installation permettent de respecter ce qui est indiqué sur la plaque d'identification qui est appliquée sur le devant du four.
 - ▶ L'installation est munie d'un raccordement à la prise de terre conforme aux normes et aux dispositions prévues par la loi. La mise à la terre est obligatoire aux termes de la loi.
- ▷ Le câble ne doit en aucun cas atteindre une température supérieure de plus de 50° C par rapport à la température ambiante.

- ▷ Si un appareil fixe n'a pas de cordon d'alimentation et de fiche ou d'autre dispositif assurant la déconnexion du secteur, avec une distance d'ouverture des contacts permettant une déconnexion complète dans les conditions de la catégorie de surtension III, ces dispositifs de déconnexion doivent être prévus dans le réseau d'alimentation conformément aux normes d'installation.
- ▷ La prise ou l'interrupteur omnipolaire doit pouvoir être atteint facilement lorsque l'appareil est installé.



Types et diamètre minimaux des câbles

H05RR-F 3x1,5 mm²

H05VV-F 3x1,5 mm²

H05RN-F 3x1,5 mm²

H05V2V2-F 3x1,5 mm²

SASO

H05RR-F 3x2,5 mm²

H05VV-F 3x2,5 mm²

H05RN-F 3x2,5 mm²

H05V2V2-F 3x2,5 mm²

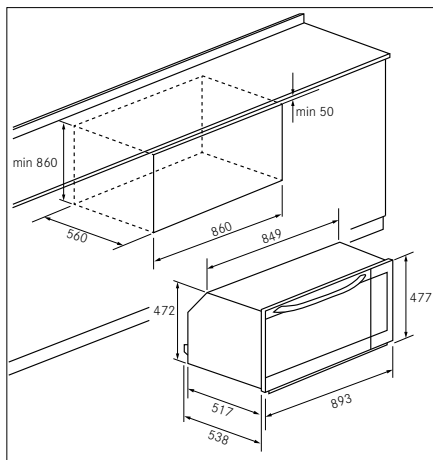


ATTENTION ! Le fabricant décline toute responsabilité si les Indications

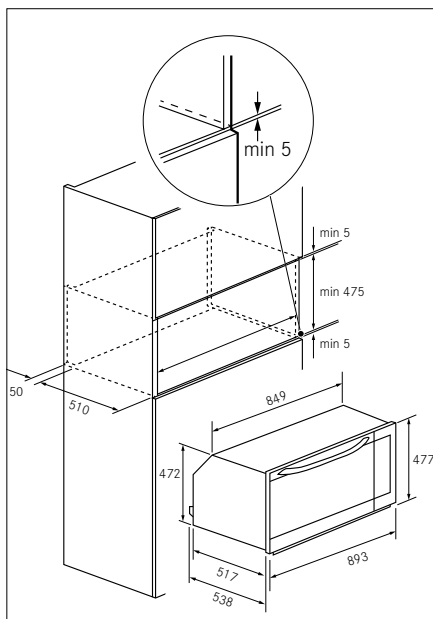
présentées dans ce document et les normes adoptées habituellement en matière de prévention des accidents du travail ne sont pas respectées.

Encastrement du four dans le meuble

Type encastré



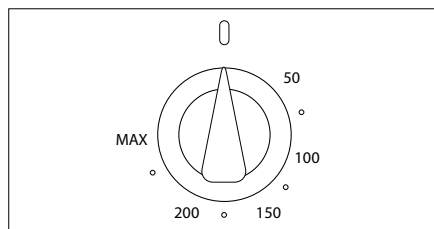
Encastrable à colonne



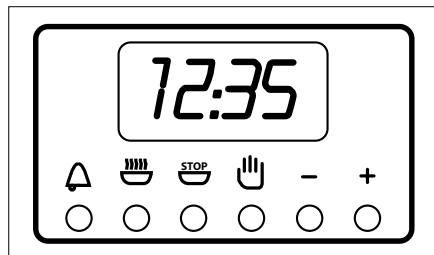
VUE D'ENSEMBLE

Thermostat

- ▶ Dispositif permettant de régler la température de cuisson la plus indiquée pour les aliments et pouvant être réglé de 50 °C à 250 °C.



Temporisateur électronique à 6 touches



Réglage de l'horloge

- ▶ Appuyer en même temps sur les touches de durée de cuisson (bowl with steam) et de fin de cuisson (bowl with STOP) et agir sur les touches + / - jusqu'au réglage de l'heure désirée.

Fonctionnement manuel

- ▶ Pour les cuissons à temps indéfini, appuyer sur la touche Manuel (hand icon).

Fonctionnement semiautomatique de durée de cuisson

- ▶ Pour les cuissons à temps défini. Appuyer sur la touche de durée de cuisson et, à l'aide des touches + / -, régler le temps nécessaire pour la cuisson.
- ▶ Le temps préétabli étant écoulé, le signal sonore retentit et le four s'arrête.

- ▶ Remettre le bouton du thermostat et du commutateur sur la position 0, puis appuyer sur la touche Manuel.

Fonctionnement semiautomatique de fin de cuisson

- ▶ Pour les cuissons à temps défini, appuyer sur la touche de fin de cuisson (STOP) et, à l'aide des touches + / -, régler l'heure où l'on veut que le four cesse de fonctionner.
- ▶ Le temps préétabli étant écoulé, le signal sonore retentit et le four s'arrête.
- ▶ Remettre le bouton du thermostat et du commutateur sur la position 0, puis appuyer sur la touche Manuel.

Fonctionnement Automatique

- ▶ Pour les cuissons à temps défini, appuyer sur la touche de durée cuisson (bowl with steam) et, à l'aide des touches + / -, régler le temps nécessaire à la cuisson.
- ▶ Appuyer sur la touche de fin de cuisson (STOP) et régler l'heure où l'on veut que le four s'arrête.
- ▶ A la fin du programme, le symbole AUTO clignote et le signal sonore qui retentit alors doit être interrompu en appuyant sur n'importe quelle touche.

Minuteur

- ▶ Appuyer sur la touche du minuteur et sélectionner le temps de cuisson désiré avec la touche + / -.
- ▶ Le temps préétabli étant écoulé, le signal sonore qui retentit alors peut être interrompu en appuyant sur n'importe quelle touche.

Erreurs de programmation

- ▶ Il y a erreur de programmation si l'heure indiquée par l'horloge est comprise entre l'heure de début et l'heure de fin de cuisson.
- ▶ L'erreur est indiquée par un signal sonore et par le clignotement du symbole AUTO.

- L'erreur de programmation peut être corrigée en modifiant la durée ou le temps de cuisson.

Annulation du programme

- Un programme peut être annulé en appuyant sur le bouton de fonctionnement manuel.

Conctions du panneau de commande

Symboles des fonctions sur le commutateur



Lampe du four

Reste allumée pendant la marche.



Résistance inférieure et supérieure

Réglage du thermostat de 50 °C à MAX.



Résistance supérieure, inférieure avec ventilateur

Réglage du thermostat de 50 °C à MAX.



Résistance circulaire avec ventilateur

Réglage du thermostat de 50 °C à MAX.



Résistance inférieure avec ventilateur

Thermostat setting from 50 °C to MAX.



Double résistance supérieure avec ventilateur (grill à grande surface)

Réglage du thermostat de 50 °C à MAX.



Résistance supérieure (grill à grande surface et puissance réduite)

Réglage du thermostat de 50 °C à 200 °C.



Ce mode est conçu pour épargner de l'énergie.

Idéal pour les aliments congelés ou pré-cuits et des petites portions. Le temps de préchauffage est très court et la cuisson tend à être plus lente. Ce mode est déconseillé pour les charges importantes, par exemple, des grosses portions ou la préparation de repas imposants.

FONCTIONNEMENT

Fonctions du four

Cuisson conventionnelle



Système classique utilisant la chaleur supérieure et inférieure, indiqué pour la cuisson d'un seul plat. Il convient de n'insérer la nourriture que lorsque le four a atteint la température préétablie, c'est-à-dire quand s'éteint le voyant lumineux. Si, vers la fin de la cuisson, il est nécessaire d'augmenter la température inférieure ou supérieure, il faut placer le commutateur dans la position adéquate. On conseille d'ouvrir le moins possible la porte du four au cours de la cuisson.

Decongelation

En sélectionnant une des fonctions de cuisson ventilée et en réglant le thermostat sur zéro, le ventilateur fera circuler de l'air froid à l'intérieur du four, en provoquant de cette manière une décongélation rapide des aliments congelés.



Cuisson ventilée



Avec ce type de cuisson, un ventilateur placé dans la partie postérieure fait circuler l'air chaud à l'intérieur du four, en le répartissant uniformément.



La cuisson se fait plus rapidement que par rapport à la cuisson conventionnelle.



Le système se prête bien à la cuisson sur plusieurs étages et également d'aliments de différents types (poisson, viande, etc.)

Cuisson au grill



Type de cuisson pour griller ou dorer les aliments. Certains fours peuvent être munis d'un moteur de piques et d'une broche pour la cuisson en rôtissoire. La grille portant l'aliment à cuire doit être insérée à la 1e ou 2e position du dessus. Préchauffer pendant 5'. Tourner le bouton du thermostat sur une température comprise entre 50° C et 200° C.



Ventilateur de refroidissement

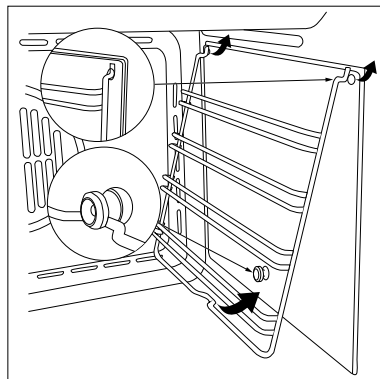
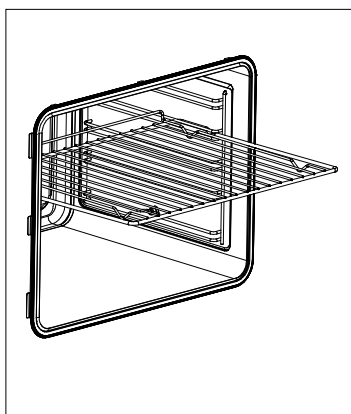
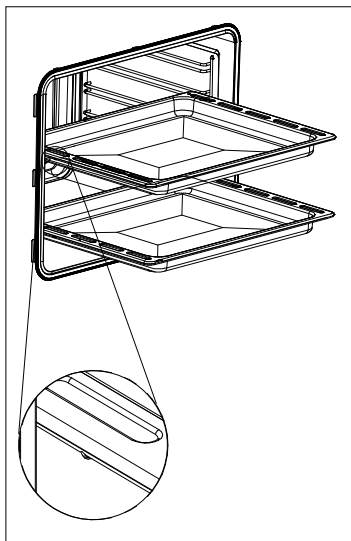
- ▶ Le ventilateur est placé sur la partie supérieure du four et crée une circulation d'air de refroidissement à l'intérieur du meuble et à travers la porte du four lui-même.
 - ▶ Il se met en marche quand la partie externe du four atteint environ 60 °C.
 - ▶ En allumant le four et en programmant le thermostat sur 200 °C, le ventilateur se met en marche après 10 minutes environ. L'extinction du ventilateur se fait quand la partie externe du four descend sous 60 °C.
- ▶ Après une utilisation du four à 200 °C, le ventilateur s'éteint après environ 30 minutes.

IMPORTANT : Le préchauffage n'est pas nécessaire ; il est toutefois préférable d'y recourir pour la pâtisserie.

Placement des grilles

Consulter les figures cidessous pour l'introduction correcte des grilles :

Glissières démontables



- ▶ Il convient de n'insérer la nourriture que lorsque le four a atteint la température préétablie, c'est-à-dire quand s'éteint le voyant lumineux.

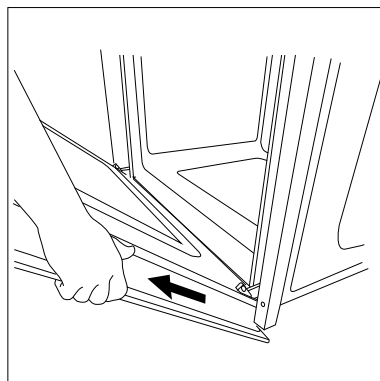
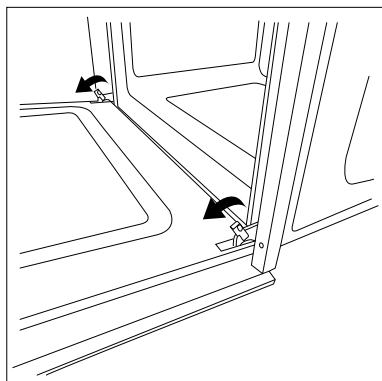
Démontage de la porte du four

Le démontage de la porte du four peut être effectué facilement de la manière suivante :

- ▶ Ouvrir complètement la porte.
- ▶ Lever les deux manettes indiquées sur la fig.
- ▶ Refermer la porte sur le premier cran d'arrêt déterminé par les deux manettes soulevées au préalable.
- ▶ Lever la porte vers le haut et vers l'extérieur du four pour l'ôter de son siège.

Première utilisation

- ▶ Le four doit être nettoyé à fond à l'eau et au savon, puis rincé méticuleusement.
- ▶ Pour enlever les cadres latéraux dans les fours à parois lisses, procéder comme indiqué sur la figure.



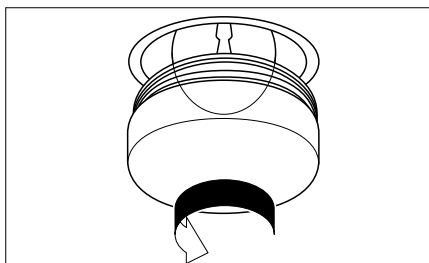
- ▶ Pour remonter la porte, insérer les charnières dans les logements prévus à cet effet, puis remettre les deux manettes en position de fermeture.

NETTOYAGE ET ENTRETIEN

Remplacement de la lampe du four

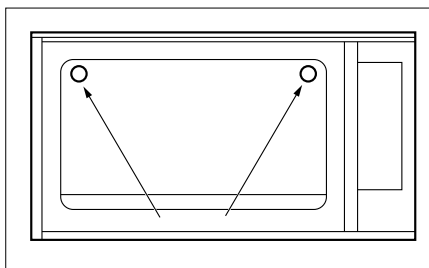
IMPORTANT : La lampe du four doit répondre à des caractéristiques bien précises :

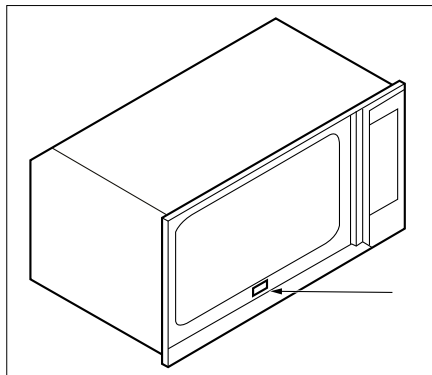
- Structure adaptée à de hautes températures (jusqu'à 300 degrés)
- Alimentation : voir valeur V/Hz indiquée sur la plaquette d'identification.
- Puissance 25 W
- Raccord de type E14



ATTENTION ! Avant de procéder à l'opération de remplacement, débrancher l'appareil du réseau d'alimentation

- ▶ Pour éviter tout endommagement, placer dans le four un essuie de vaisselle.
- ▶ Dévisser la protection en verre de la lampe.
- ▶ Dévisser la lampe usée et la remplacer par une nouvelle.
- ▶ Remonter la protection en verre et enlever l'essuie de vaisselle.
- ▶ Brancher à nouveau l'appareil au réseau d'alimentation.





IMPORTANT : Il est possible d'accéder à la plaque des caractéristiques du four même lorsque l'appareil est installé. Cette plaque, que l'on voit en ouvrant la porte, présente toutes les données d'identification de l'appareil qu'il est nécessaire de citer pour toute demande de pièces de rechange.

ASSISTANCE

Pièces de rechange

- ▷ Seuls des pièces autorisées peuvent être utilisées pour l'assistance technique de l'appareil électroménager.
- ▷ Ne réparer ni remplacer aucune pièce du four si elle n'a pas été indiquée dans ce manuel.
- ▷ Toutes les interventions et réparations doivent être effectuées par du personnel technique autorisé.

Pour demander une pièce de rechange, communiquer les données suivantes :

- Sigle du modèle de four (MOD.) et numéro de série (S.N.), indiqués sur la plaque signalétique du produit, située dans la partie inférieure avant de la façade du four.
- Description et numéro de la pièce de rechange, information technique réservée au service d'assistance technique agréé.
- Enfin, indiquer les coordonnées du distributeur qui a vendu le four et les données du centre d'assistance technique le plus proche.

Assistance technique

Si votre four nécessite une assistance technique et/ou des pièces de rechange, contactez votre revendeur ou le centre d'assistance technique agréé le plus proche.

Dans ce cas également, il est nécessaire de transmettre les données complètes de l'appareil qui figurent sur la plaque signalétique du produit en aluminium, à savoir :

- modèle (MOD.)
- numéro de série (S.N.), etc. (plaque signalétique située dans la partie inférieure de la façade du four).

MISE AU REBUT

Informations pour les utilisateurs



Le symbole sur le produit ou sur l'emballage indique que l'appareil ne doit pas être jeté avec les déchets ménagers.

En éliminant l'appareil correctement, vous contribuez à éviter des conséquences délétères pour l'environnement et la santé.

Des informations complémentaires sur le recyclage de l'appareil sont disponibles auprès des autorités compétentes, du service local de traitement des déchets ou du revendeur de l'appareil.

Éliminer l'appareil via un point de collecte spécialisé dans les déchets électroniques et électriques.

Conformément à la Directive 2012/19/UE relative à la réduction des substances dangereuses utilisées dans les appareils électriques et électroniques et l'élimination des déchets.

Le symbole de poubelle barrée sur l'appareil indique qu'à la fin de sa durée de vie utile, le produit ne doit pas être jeté avec les ordures ménagères. Par conséquent, lorsque l'appareil a atteint la fin de sa vie utile, l'utilisateur doit le porter à un centre de recyclage spécialisé dans les déchets électroniques et électrotechniques ou au revendeur lors de l'achat d'un nouvel appareil de type équivalent.

Le tri des déchets de l'appareil en bonne et due forme à des fins de recyclage ultérieur, traitement et élimination écologique contribuent à éviter l'impact potentiellement négatif sur l'environnement et la santé et facilitent le recyclage des matériaux utilisés dans la construction des appareils.

Informations destinées aux instituts de contrôle

Pour le calcul du volume, enlever les guides latéraux internes, si présents (selon les normes 2009/60350-50304/EN).

INDICE

Informazioni sul manuale	42	Funzionamento	51
Utilizzo previsto	43	Funzioni del forno	51
Informazioni per la sicurezza	43	Primo utilizzo	52
Installazione	47	Smontaggio della porta forno	52
Descrizione del prodotto	48	Manutenzione e pulizia	53
		Assistenza	54
		Smaltimento	55

INFORMAZIONI SUL MANUALE

Caro cliente

Sentitamente La ringraziamo e ci congratuliamo per la scelta da Lei fatta. Questo nuovo prodotto accuratamente progettato e costruito con materiali di primissima qualità, è stato accuratamente collaudato per poter soddisfare tutte le esigenze di una perfetta cottura. La preghiamo pertanto di leggere e rispettare le facili istruzioni che Le permetteranno di raggiungere eccellenti risultati fin dalla primissima utilizzazione.

Queste istruzioni per l'uso sono valide per diversi modelli del dispositivo. È quindi possibile che alcune delle caratteristiche e funzioni qui descritte non siano disponibili nel modello specifico acquistato. Leggere attentamente le istruzioni per l'uso prima di utilizzare il dispositivo.

- ▶ Conservare le istruzioni per l'uso.
- ▶ Utilizzare il dispositivo descritto in queste istruzioni per l'uso solo conformemente all'uso previsto.

Franke si riserva il diritto di apportare modifiche al prodotto senza preavviso. Tutte le informazioni sono corrette al momento della pubblicazione.

Simbolo Significato



Avviso di pericolo. Avviso di pericolo di lesioni.



Azioni in sicurezza e avvertenze per evitare lesioni o danni.



Azione. Specifica un'azione che deve essere compiuta.



Risultato. Risultato di una o più azioni.

UTILIZZO PREVISTO

Il forno è stato progettato esclusivamente per l'utilizzo non professionale in ambito domestico. Il forno è concepito per offrire prestazioni professionali nel contesto domestico.

È un dispositivo altamente versatile che consente di scegliere con facilità e in sicurezza diversi metodi di cottura.

INFORMAZIONI PER LA SICUREZZA

- ▷ Leggere attentamente le istruzioni per l'uso e le informazioni per la sicurezza prima di utilizzare il forno.
- ▷ Conservare le istruzioni per l'uso per consultazioni future.

Il produttore non risponde dei danni che possono verificarsi a causa di un'installazione non corretta e di un utilizzo del dispositivo non corretto, non adeguato o irragionevole. La sicurezza elettrica del forno è garantita solo quando il dispositivo è collegato a un sistema di messa a terra in conformità alle disposizioni vigenti. Per garantire il funzionamento sicuro ed efficiente di questo dispositivo elettrico:

- ▷ Contattare unicamente centri di assistenza autorizzati.
- ▷ Non modificare le funzioni del dispositivo.
- ▷ Questo apparecchio può essere utilizzato da bambini

di età superiore agli 8 anni e da persone con ridotte capacità fisiche, sensoriali o mentali o prive della necessaria esperienza e conoscenza solo se siano sorvegliate o siano state adeguatamente istruite sull'utilizzo sicuro dell'apparecchio e ne comprendano i rischi.

- ▷ Vietare ai bambini di giocare con l'apparecchio.
- ▷ La pulizia e la manutenzione non devono essere effettuate dai bambini senza la supervisione di un adulto.
- ▷ Questo dispositivo non è un giocattolo.
- ▷ Non lasciare bambini incustoditi nelle vicinanze del dispositivo.
- ▷ Non consentire ai bambini di giocare con il dispositivo.
- ▷ Non consentire ai bambini di toccare il dispositivo o i suoi comandi durante o immediatamente dopo l'uso.

- ▷ Accertarsi che il dispositivo sia installato in modo tale da consentirne lo scollegamento dall'alimentazione elettrica con una distanza di apertura dei contatti in grado di assicurare lo scollegamento completo nelle condizioni di sovratensione di categoria III. I collegamenti elettrici fissi devono incorporare i mezzi di disconnessione previsti dai codici vigenti.
- ▷ Utilizzare unicamente la sonda di temperatura consigliata per questo forno.
- ▷ L'apparecchio non deve essere installato dietro una porta decorativa per evitare che possa surriscaldarsi.



Pericolo di ustioni!

- ▷ L'apparecchio diventa molto caldo durante l'uso. Si deve prestare attenzione a non toccare gli elementi riscaldanti all'interno del forno. Tenere lontani i bambini di età inferiore agli 8 anni, a meno che non siano costantemente sorvegliati.



Pericolo di ustioni!

Le estremità della maniglia della porta possono avere una temperatura più elevata a causa dell'aria calda che sfoga all'esterno.

- ▷ Accertarsi sempre che le manopole di comando siano in posizione OFF quando il forno non è in uso.

AVVERTENZA: prima di sostituire la lampada accertarsi che il dispositivo sia spento al fine di evitare scosse elettriche.

- ▷ Non utilizzare detergenti abrasivi aggressivi o raschietti affilati di metallo per pulire il vetro della porta del forno/il vetro dei coperchi incernierati del piano cottura in quanto possono graffiare la superficie e causare la frantumazione del vetro.
- ▷ Non utilizzare pulitrici a vapore o getti diretti di acqua. Se il cavo di alimentazione è danneggiato deve essere sostituito dal costruttore, da un suo tecnico del servizio di assistenza o comunque da una persona con qualifica simile, in modo da prevenire ogni rischio.

ATTENZIONE: Per evitare rischi dovuti ad un reset accidentale della protezione termica, questo apparecchio non deve essere alimentato tramite un dispositivo di commutazione esterno come un timer o collegato ad un circuito che sia inserito e disinserto regolarmente dall'azienda erogatrice.

Il prodotto contiene una sorgente luminosa avente classe di efficienza energetica "G".

Corretta collocazione e installazione

- ▷ Tenere il dispositivo e il materiale di imballaggio lontani dalla portata dei bambini.

Se il forno deve rimanere sempre collegato alla rete di alimentazione elettrica:

- ▷ Accertarsi che il dispositivo sia installato unicamente dal servizio di assistenza, da un elettricista o da personale addestrato in possesso dell'adeguata conoscenza/formazione.
- ▷ Accertarsi che il dispositivo sia collegato direttamente alla presa di alimentazione. Non utilizzare adattatori, prese multiple o cavi di prolunga per collegare il dispositivo.
- ▷ L'apparecchio non deve essere esposto agli agenti atmosferici (pioggia, sole).



Pericolo di morte!

- ▷ Tenere gli animali lontani dal dispositivo.
- ▷ I materiali di imballaggio, per es. il film plastico e il polistirolo, possono essere pericolosi per i bambini.
- ▷ Tenere i materiali di imballaggio lontano dalla portata dei bambini.

Uso corretto

- ▷ Utilizzare il dispositivo solo per preparare e cuocere alimenti.
- ▷ Quando si introducono contenitori all'interno del forno o li si estrae da esso, utilizzare guanti da forno.
- ▷ Se si utilizzano altri dispositivi per la cottura insieme al forno, rispettare le indicazioni contenute nei rispettivi libretti di uso dei dispositivi.
- ▷ Non posizionare cavi elettrici o altri elettrodomestici sulle parti calde del forno.
- ▷ Non utilizzare liquidi infiammabili nelle vicinanze del forno.



Rischio di surriscaldamento e malfunzionamento del forno per via della ventilazione bloccata!

- ▷ Non coprire mai le pareti interne del forno con pellicola di alluminio.
- ▷ Non ostruire la ventilazione della ventola o le aperture di raffreddamento al di sopra della porta del forno.



Pericolo di ustioni!

- ▷ Nell'aprire o nel chiudere la porta afferrare sempre la maniglia al centro.



Rischio di scossa elettrica a causa del dispositivo danneggiato!

- ▷ Non accendere un dispositivo danneggiato.
- ▷ Disattivare il fusibile nella scatola dei fusibili.
- ▷ Contattare il servizio di assistenza.



Rischio di scossa elettrica!

- ▷ Non toccare il dispositivo con parti del corpo bagnate.
- ▷ Non utilizzare il dispositivo a piedi nudi.
- ▷ Non tirare il dispositivo o il cavo di alimentazione per scollegare il dispositivo dalla presa di alimentazione.

Manutenzione e pulizia

Prima di effettuare operazioni di manutenzione o pulizia:

- ▷ Scollegare il dispositivo dall'alimentazione, per es. disattivare il fusibile nella scatola dei fusibili.



Rischio di scossa elettrica a causa della penetrazione di liquidi!

Il dispositivo contiene componenti elettrici.

- ▷ Accertarsi che non penetrino liquidi all'interno del dispositivo.
- ▷ Non utilizzare vapore pressurizzato per pulire il dispositivo.
- ▷ Non utilizzare un panno umido per pulire gli elementi di comando.

Riparazione

- ▷ Consentire solo a personale qualificato di installare o riparare il dispositivo.
- ▷ Contattare un centro di assistenza autorizzato dal produttore o personale qualificato nei casi seguenti:
 - Subito dopo il disimballaggio, nel caso in cui vi siano dubbi in merito all'integrità del dispositivo
 - Durante l'installazione (come da istruzioni del produttore)
 - Dubbi in merito al corretto funzionamento del dispositivo
 - Malfunzionamento o funzionamento non ottimale
 - Sostituzione della presa di corrente se incompatibile con il connettore del dispositivo

Messa fuori servizio

- ▷ Se il forno non verrà più utilizzato, contattare il centro di assistenza o personale qualificato per scollegarlo dall'alimentazione.

Informazioni per il risparmio energetico

Ove possibile, evitare di pre-riscaldare il forno e cercare sempre di riempirlo a sufficienza. Limitare il più possibile l'apertura della porta del forno, perché ad ogni apertura una parte del calore viene dispersa. Per ridurre il consumo di energia, spegnere il forno tra 5 e 10 minuti prima della fine programmata della cottura e usare il calore residuo che il forno continua a generare. Tenere le guarnizioni pulite e in buone condizioni per evitare dispersioni di calore all'esterno. Se il costo dell'energia elettrica varia in funzione della fascia oraria, il programma di "avvio ritardato" rende più semplice la riduzione dei consumi, permettendo di spostare il processo di cottura in una fascia oraria più economica.

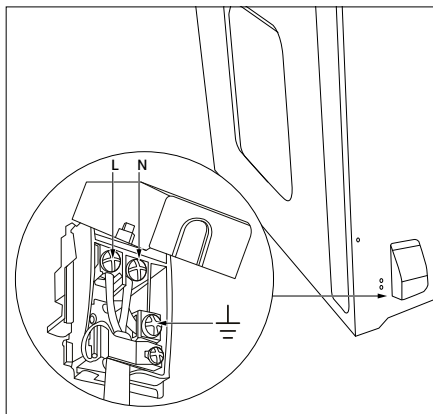
INSTALLAZIONE

Incasso del forno

- ▶ Il forno può essere installato sotto un piano di cottura oppure in colonna. Le dimensioni dell'incasso devono essere come riportato in figura.
- ▶ Il materiale del mobile deve essere in grado di resistere al calore.
- ▶ Il forno deve essere centrato rispetto alle pareti del mobile e fissato con le viti e bussole che sono fornite in dotazione.

Allacciamento elettrico

- ▷ Prima di effettuare l'allacciamento elettrico accertarsi che:
 - ▶ Le caratteristiche dell'impianto siano tali da soddisfare quanto indicato sulla targa matricola applicata sul fronte del forno.
 - ▶ L'impianto sia munito di un efficace collegamento di terra secondo le norme e le disposizioni di legge in vigore. La messa a terra è obbligatoria a termini di legge.
- ▷ Il cavo in nessun punto dovrà raggiungere una temperatura superiore di 50° C quella ambiente.
- ▷ Se un apparecchio fisso non è provvisto di cavo di alimentazione e di spina, o di altro dispositivo che assicuri la disconnessione dalla rete, con una distanza di apertura dei contatti che consenta la disconnessione completa nelle condizioni della categoria di sovratensione III, tali dispositivi di disconnessione devono essere previsti nella rete di alimentazione conformemente alle regole di installazione.
- ▷ La presa o l'interruttore onnipolare devono essere facilmente raggiungibili con l'apparecchiatura installata.



Tipi e diametro minimo dei cavi

H05RR-F	3x1,5 mm ²
---------	-----------------------

H05VV-F	3x1,5 mm ²
---------	-----------------------

H05RN-F	3x1,5 mm ²
---------	-----------------------

H05V2V2-F	3x1,5 mm ²
-----------	-----------------------

SASO

H05RR-F	3x2,5 mm ²
---------	-----------------------

H05VV-F	3x2,5 mm ²
---------	-----------------------

H05RN-F	3x2,5 mm ²
---------	-----------------------

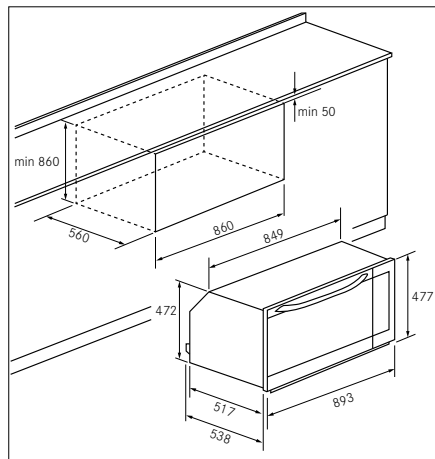
H05V2V2-F	3x2,5 mm ²
-----------	-----------------------



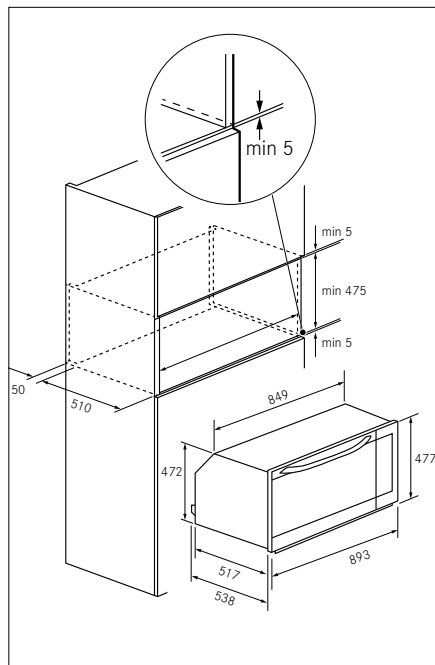
AVVERTENZA: Il costruttore declina ogni responsabilità nel caso che quanto sopra e le usuali norme antinfortunistiche non vengano rispettate.

Inserimento del forno nel mobile

Tipo sottopiano



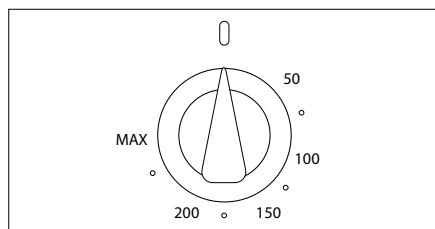
Incasso a colonna



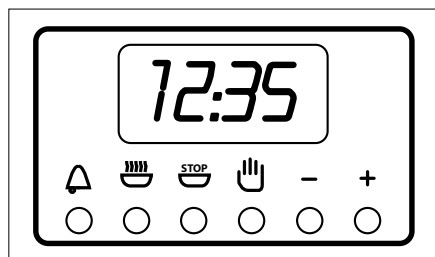
DESCRIZIONE DEL PRODOTTO

Termostato

- Dispositivo che permette di regolare la temperatura di cottura più idonea ai cibi cuocere e può essere regolato da 50° C a 250° C.



Timer elettronico 6 tasti



Regolazione dell'orologio

- Premere contemporaneamente i tasti di durata (pot) e fine cottura (pot con coperchio) ed agire sui tasti + / - fino all'impostazione dell'ora desiderata.


Funzionamento manuale

- ▶ Per cotture a tempo indefinito premere il tasto manuale .



Funzionamento semiautomatico di durata cottura

- ▶ Per cotture a tempo definito. Premere il tasto di durata cottura ed impostare con i tasti **+** / **-** il tempo necessario per la cottura.
- ▶ Trascorso il tempo entra in funzione il segnale acustico ed il forno cessa di funzionare.
- ▶ Riportare la manopola del termostato e del commutatore in posizione 0 quindi premere il tasto manuale.

Funzionamento semiautomatico di fine cottura

- ▶ Per cotture a tempo definito premere il tasto di fine cottura  e impostare con i tasti **+** / **-** l'ora in cui si vuole che il forno cessi di funzionare.
- ▶ Trascorso il tempo entra in funzione il segnalatore acustico e il forno si arresta.
- ▶ Riportare la manopola del termostato e del commutatore in posizione 0 quindi premere il tasto manuale.

Funzionamento automatico

- ▶ Per cotture a tempo definito premere il tasto di durata cottura  e impostare con i tasti **+** / **-** il tempo necessario per la cottura.
- ▶ Premere il tasto di fine cottura  e impostare l'ora in cui si vuole che il forno si arresti.
- ▶ Al termine del programma il simbolo AUTO lampeggia, si mette in funzione il segnale acustico che dovrà essere spento premendo un tasto qualsiasi.

Contaminuti

- ▶ Premere il tasto contaminati e selezionare il tempo di cottura desiderato con il tasto **+** / **-**.
- ▶ Al termine del tempo impostato si mette in funzione il segnale acustico che può essere interrotto premendo uno qualsiasi dei tasti.

Errori di programmazione

- ▶ Si ha un errore di programmazione se l'ora indicata dall'orologio è compresa tra l'ora di inizio e l'ora di fine cottura.
- ▶ L'errore sarà segnalato acusticamente e mediante il lampeggio intermittente del simbolo AUTO.
- ▶ L'errore di impostazione può essere corretto variando la durata o il tempo di cottura.

Annullamento programma

- ▶ Un programma può essere annullato premendo il pulsante del funzionamento manuale.

Funzioni pannello comandi

Simboli funzioni sul commutatorer

**Lampada forno**

Rimane sempre accesa durante il funzionamento.

**Resistenza superiore ed inferiore**

Regolazione del termostato da 50 °C a MAX.

**Resistenza superiore, inferiore con ventilatore**

Regolazione del termostato da 50 °C a MAX.

**Resistenza circolare con ventilatore**

Regolazione del termostato da 50 °C a MAX.

**Resistenza inferiore con ventilatore**

Regolazione del termostato da 50 °C a MAX.

**Doppia resistenza superiore con ventilatore (grill grande superficie)**

Regolazione del termostato da 50 °C a 200 °C.

**Resistenza superiore (grill superficie e potenza ridotta)**

Regolazione del termostato da 50 °C a 200 °C.

**Tale modalità è intesa per il risparmio energetico.**

Ideale per pietanze surgelate o precotte e pasti porzionati di piccole dimensioni. Il tempo di preriscaldamento è molto breve e la cottura tende ad essere più lenta. Non è raccomandato per carichi pesanti, quali grandi porzioni o preparazioni di pasti di grandi dimensioni.

FUNZIONAMENTO

Funzioni del forno

Cottura convenzionale



Sistema classico che utilizza calore superiore ed inferiore adatto per la cottura di un solo piatto. E' bene che il cibo venga inserito quando il forno ha raggiunto la temperatura prestabilita, cioè quando si e' spenta la spia luminosa. Se verso fine cottura si avesse necessità di incrementare la temperatura inferiore o superiore, posizionare il commutatore nella rispettiva posizione. Si consiglia di aprire il meno possibile la porta del forno durante la cottura.

Scongelamento

Selezionando una delle funzioni di cottura ventilato e regolando il termostato sullo zero, il ventilatore farà circolare all'interno del forno aria fredda, favorendo così un rapido scongelamento dei cibi congelati.



Cottura ventilato



Con questo tipo di cottura, un ventilatore posto nella parte posteriore fa circolare l'aria calda all'interno del forno, distribuendola in modo uniforme. La cottura avviene più rapidamente rispetto alla cottura convenzionale. Il sistema risulta idoneo per la cottura su più ripiani ed anche per cibi di natura diversa (pesce, carne ecc.).



Cottura al grill



Tipo di cottura per la grigliatura o doratura dei cibi. Alcuni forni possono essere completi di motorino asta e spiedo per cottura al girarrosto. La griglia con il cibo da cuocere va inserito nella 1° o 2° posizione da sopra. Preriscaldare per 5'.



Ruotare la manopola del termostato con temperature da 50°C a 200°C.

Ventilatore di raffreddamento

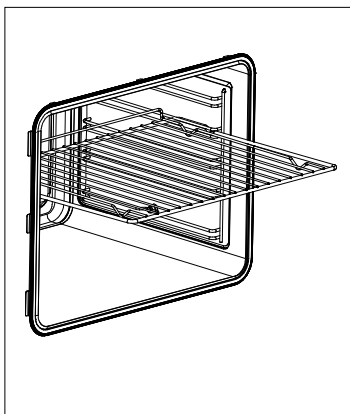
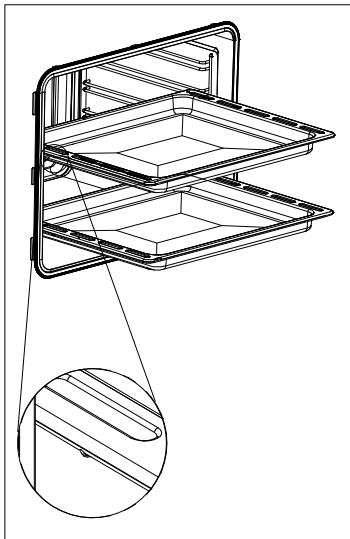
- ▶ Il ventilatore è posto sulla parte superiore del forno e crea un circolo d'aria di raffreddamento all'interno del mobile e attraverso la porta del forno stesso.
- ▶ Entra in funzione quando la parte esteriore del forno raggiunge i 60 °C ca.
- ▶ Accendendo il forno e impostando il termostato a 200 °C, il ventilatore entra in funzione dopo 10 min ca. Lo spegnimento del ventilatore avviene quando la parte esteriore del forno scende sotto i 60 °C.
- ▶ Dopo un utilizzo del forno a 200 °C il ventilatore si spegne dopo 30 min. ca.

IMPORTANTE: Non e' necessario il preriscaldamento, ma per pasticceria e' preferibile farlo.

Posizionamento delle griglie

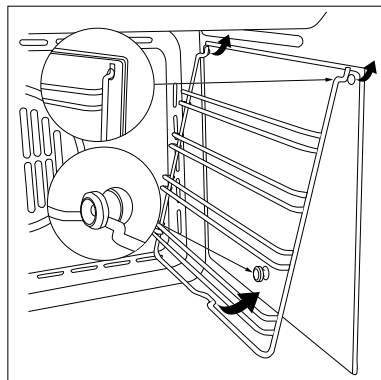
Fare riferimento alle figure sotto per il corretto inserimento delle griglie:

Guide estraibili



Primo utilizzo

- ▶ Il forno va pulito a fondo con acqua e sapone e risciacquato accuratamente.
- ▶ Per togliere i telai laterali nei forni con pareti lisce procedere come illustrato in figura.

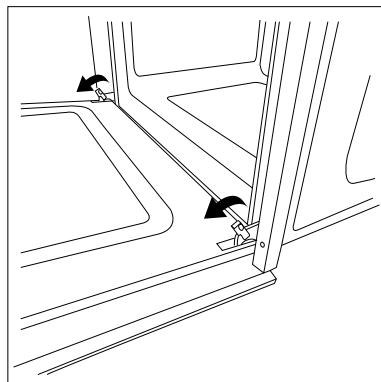


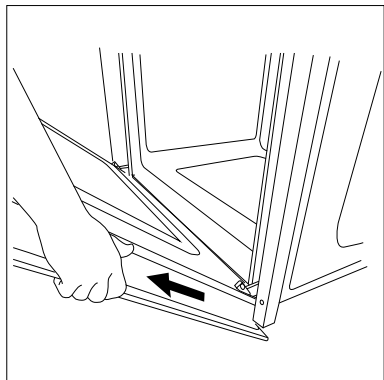
- ▶ Riscaldare il forno per circa 30 minuti alla massima temperatura; verranno così eliminati tutti i residui grassi di lavorazione che potrebbero causare sgradevoli odori in fase di cottura.

Smontaggio della porta forno

Lo smontaggio della porta forno può essere facilmente effettuato operando come segue:

- ▶ Aprire totalmente la porta.
- ▶ Sollevare le due levette indicate in figura.
- ▶ Richiudere la porta sul primo scatto di arresto determinato dalle due levette sollevate in precedenza.
- ▶ Sollevare la porta verso l'alto e verso l'esterno del forno per estrarla dalle sedi.





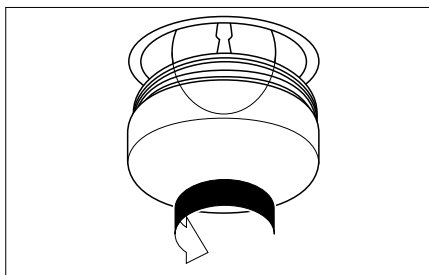
- ▶ Per rimontare la porta, inserire le cerniere nelle apposite sedi e quindi riportare le due levette nella posizione di chiusura.

MANUTENZIONE E PULIZIA

Sostituzione della lampada del forno

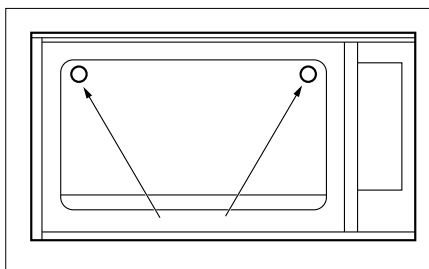
IMPORTANTE: La lampada del forno deve avere precise caratteristiche:

- Struttura adatta alle alte temperature (fino a 300 gradi)
- Alimentazione: vedere valore V/Hz indicato sulla targa matricola
- Potenza 25 W
- Attacco di tipo E 14

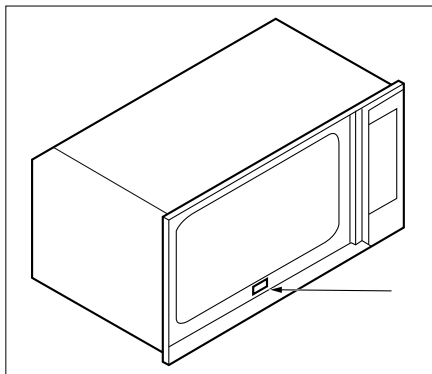


AVVERTENZA: Prima di procedere, staccare l'apparecchio dalla linea di alimentazione.

- ▶ Per evitare danni, stendere nel forno uno strofinaccio per stoviglie.
- ▶ Svitare la protezione in vetro della lampada.
- ▶ Svitare la vecchia lampada e sostituirla con la nuova.
- ▶ Rimontare la protezione in vetro e togliere lo strofinaccio per stoviglie.
- ▶ Collegare nuovamente l'apparecchio alla linea di alimentazione.



IMPORTANTE: La targhetta delle caratteristiche del forno è accessibile anche ad apparecchio installato. In questa targhetta, visibile aprendo la porta, sono riportati tutti i dati di identificazione dell'apparecchio a cui si dovrà fare riferimento per richiesta di ricambi.



ASSISTENZA

Ricambi

- ▷ Per l'assistenza dell'elettrodomestico possono essere utilizzati solo componenti autorizzati.
- ▷ Non riparare o sostituire alcun componente del forno che non sia stato raccomandato da questo manuale.
- ▷ Tutti gli interventi e riparazioni devono essere effettuati da personale tecnico autorizzato.

Per richiedere un componente di ricambio, bisogna indicare i seguenti dati:

- Sigla del modello forno (MOD.) e numero di serie (S.N.), che si trovano sull'etichetta prodotto posizionata sulla parte inferiore frontale della facciata del forno.
- Descrizione e numero del componente di ricambio, informazione tecnica a disposizione solo del servizio di assistenza autorizzato. Per ultimo, indicare i dati del distributore che ha venduto il forno, e i dati del centro di assistenza più vicino a Voi.

Assistenza tecnica

Nel caso in cui il vostro forno abbia bisogno di assistenza tecnica e/o pezzi di ricambio, contattare il rivenditore o il centro di assistenza tecnica autorizzato più vicino. Anche in questo caso è necessario trasmettere i dati completi dell'apparecchio che si trovano sull'etichetta prodotto in alluminio quali:

- modello (MOD.)
- numero di serie (S.N.), etc (etichetta collocata sulla parte bassa della facciata del forno).

SMALTIMENTO

Informazioni per gli utenti



Questo simbolo sul prodotto o sulla confezione indica che il dispositivo non deve essere smaltito con i normali rifiuti domestici.

Lo smaltimento adeguato del dispositivo contribuisce a evitare conseguenze dannose per l'ambiente e la salute.

Maggiori informazioni sul riciclaggio del dispositivo possono essere ottenute dall'autorità competente, dal servizio di smaltimento rifiuti locale o dal fornitore del dispositivo.

Smaltire il dispositivo presso un punto di raccolta rifiuti specializzato per dispositivi elettrici ed elettronici.

Conforme alla direttiva 2012/19/UE, riguardante la riduzione delle sostanze pericolose utilizzate nei dispositivi elettrici ed elettronici e lo smaltimento dei rifiuti. Il simbolo del bidone dei rifiuti barrato presente sul dispositivo indica che al termine della sua vita utile il prodotto non deve essere smaltito insieme ai comuni rifiuti domestici.

Quindi, quando il dispositivo raggiunge la fine della sua vita operativa, l'utilizzatore deve conferirlo a un apposito centro di riciclaggio di rifiuti elettrici ed elettronici oppure restituirlo al negoziante in caso di acquisto di un nuovo dispositivo di tipo equivalente.

L'adeguata raccolta differenziata del dispositivo rottamato per il successivo riciclaggio, trattamento e smaltimento ecocompatibile contribuisce a evitare un impatto potenzialmente negativo sull'ambiente e sulla salute e facilita il riciclaggio dei materiali utilizzati nella produzione del dispositivo.

Informazioni per gli enti di omologazione

Per il calcolo del volume, se presenti, rimuovere le guide in filo laterali interne (secondo gli standard 2009/60350-50304/EN).

ÍNDICE

Acerca de este manual	56	Funcionamiento	65
Uso previsto	57	Funciones del horno	65
Información de seguridad	57	Primera utilización	66
Instalación	61	Desmontaje de la puerta del horno	66
Información general	62	Mantenimiento y limpieza	67
Funciones panel de mandos	64	Servicio técnico	68
		Eliminación	69

ACERCA DE ESTE MANUAL

Estimado cliente

Le agradecemos mucho y le felicitamos por su elección. Este nuevo producto, cuidadosamente estudiado y fabricado con materiales de primera calidad, ha sido probado a conciencia para poder satisfacer todas sus exigencias de una perfecta cocción.

Este manual es aplicable a varios modelos del dispositivo. Por lo tanto, es posible que algunas de las características y funciones descritas no estén disponibles en su modelo concreto.

- ▶ Lea detenidamente el manual del usuario antes de utilizar el dispositivo.
- ▶ Conserve el manual del usuario.
- ▶ Use el dispositivo descrito en este manual del usuario únicamente para su uso previsto.

Franke se reserva el derecho de hacer modificaciones al producto sin previo aviso. Toda la información es correcta en la fecha de su publicación.

Símbolo Significado



Símbolo de advertencia. Advertencia contra riesgos de lesiones.



Medidas de seguridad y notas de advertencia para evitar lesiones o daños.



Paso. Especifica una acción que debe realizarse.



Resultado. Resultado de uno o más pasos.

USO PREVISTO

El horno se ha desarrollado exclusivamente para su uso doméstico, no profesional. El horno está diseñado para ofrecer en casa un rendimiento de nivel profesional.

Se trata de un aparato extraordinariamente versátil, que permite una selección fácil y segura de distintos métodos de cocina.

INFORMACIÓN DE SEGURIDAD

- ▷ Lea detenidamente el manual del usuario y la información de seguridad antes de utilizar el horno.
- ▷ Conserve el manual para poder consultarlo en el futuro.

El fabricante no se hará responsable de ningún daño que pueda producirse como consecuencia de la instalación incorrecta y el uso incorrecto, inadecuado o no razonable del dispositivo.

La seguridad eléctrica del horno solo estará garantizada si se conecta a un sistema de toma a tierra conforme a las regulaciones vigentes en la materia.

Para garantizar un funcionamiento seguro y eficiente de este dispositivo eléctrico:

- ▷ Acuda únicamente a centros de servicio técnico autorizados.
- ▷ No realice modificaciones en el dispositivo.

- ▷ Este aparato lo pueden utilizar niños a partir de 8 años y personas con capacidad motriz, sensorial o mental reducida o que no poseen la experiencia y los conocimientos necesarios siempre que lo utilicen bajo la supervisión de una persona responsable de su seguridad o reciban instrucciones sobre su uso.
- ▷ Los niños no deben jugar con el aparato.
- ▷ Los niños no deben llevar a cabo las tareas de limpieza y mantenimiento sin supervisión.
- ▷ Este dispositivo no es un juguete.
- ▷ No deje a los niños desatendidos cerca del dispositivo.
- ▷ No deje que los niños jueguen con el dispositivo.
- ▷ No deje que los niños toquen el dispositivo o sus controles durante su funcionamiento o inmediatamente después

del mismo. Compruebe que el dispositivo se instale de manera que permita la desconexión de la alimentación eléctrica con una distancia de apertura de contacto que garantice una desconexión completa en condiciones de sobretensión de categoría III. Los medios de desconexión deben estar incorporados en el cableado fijo de acuerdo con las reglas de cableado.

- ▷ Use solo la sonda de temperatura recomendada para este horno.
- ▷ El aparato no debe instalarse detrás de una puerta decorativa para evitar el sobrecalentamiento. Con el objetivo de evitar el sobrecalentamiento, el aparato no deberá instalarse tras una puerta decorativa.



Riesgo de sufrir quemaduras!

- ▷ Durante su uso, el aparato se calienta. Se debe tener precaución para evitar tocar los elementos calefactores dentro del horno. Mantenga alejados a los niños menores 8 años salvo que sean supervisados continuamente.



Riesgo de sufrir quemaduras!

Debido al aire caliente que sale del horno, el extremo del asidero de la puerta puede estar más caliente.

- ▷ Compruebe siempre que los mandos de control estén en su posición de apagado cuando el horno no esté en uso.

ADVERTENCIA: Asegúrese de que el aparato está apagado antes de sustituir la lámpara para evitar la posibilidad de una descarga eléctrica.

- ▷ No use limpiadores abrasivos ni rascadores metálicos afilados para limpiar el cristal de la puerta del horno/ el cristal de la tapa con bisagras de la placa (según proceda), ya que puede rayar la superficie, lo cual podría dar lugar a la rotura del cristal.
- ▷ No use limpiadores a vapor ni chorros de agua directos.
- ▷ Si el cable de alimentación está dañado, debe ser reemplazado por el fabricante, su agente de servicio o personas igualmente cualificadas, para evitar cualquier tipo de riesgo.

PRECAUCIÓN: Para evitar los riesgos derivados de un restablecimiento accidental del disyuntor térmico, este aparato no debe recibir alimentación de un dispositivo de conmutación externo como, por ejemplo, un temporizador, ni ser conectado a un circuito que encienda y apague regularmente la empresa de suministro.

El producto contiene una fuente de luz perteneciente a la clase de eficiencia energética «G».

Instalación y colocación adecuadas

- ▷ Mantenga el dispositivo y el material de embalaje fuera del alcance de los niños. Si el horno va a estar continuamente conectado a una fuente de alimentación eléctrica:
- ▷ Asegúrese de que solo el servicio de asistencia técnica, un electricista o personal especializado con los conocimientos/formación necesarios instale el dispositivo.
- ▷ Asegúrese de que el dispositivo se conecte directamente en el enchufe de la toma de alimentación. Compruebe que no se utilicen alargaderas, adaptadores ni enchufes tipo ladrón para conectar el dispositivo.
- ▷ Asegúrese de que el dispositivo no esté expuesto a los agentes atmosféricos (lluvia, sol).



Riesgo de muerte!

- ▷ Mantenga a las mascotas alejadas del aparato.
- ▷ Los materiales de embalaje, p. ej. hojas de plástico y poliestireno, pueden resultar peligrosos para los niños.
- ▷ Mantenga el material de embalaje fuera del alcance de los niños.

Uso adecuado

- ▷ Use el dispositivo únicamente para preparar y cocinar alimentos.
- ▷ Use guantes para horno para colocar recipientes en el horno o sacarlos de él.
- ▷ Cuando utilice el dispositivo, observe los manuales de los distintos aparatos de cocina que se usen con el horno.
- ▷ No coloque cables de alimentación de otros aparatos eléctricos sobre las piezas calientes del horno.
- ▷ No use líquidos inflamables cerca del horno.



Riesgo de sobrecalentamiento y fallo de funcionamiento del horno en caso de bloqueo de la ventilación!

- ▷ Nunca cubra las paredes interiores del horno con papel de aluminio.
- ▷ No bloquee la ventilación del ventilador o las aberturas de enfriamiento situadas por encima de la puerta del horno.



Riesgo de sufrir quemaduras!

- ▷ Al abrir o cerrar la puerta, sujete siempre el asidero de la puerta por la parte central.



Si el dispositivo está dañado, puede producirse una descarga eléctrica!

- ▷ No encienda el dispositivo si está dañado.
- ▷ Desconecte el fusible en la caja de fusibles.
- ▷ Póngase en contacto con el Servicio de Asistencia Técnica.



Riesgo de descarga eléctrica!

- ▷ No toque el dispositivo con partes del cuerpo mojadas.
- ▷ No use el dispositivo si está descalzo.
- ▷ No tire del dispositivo ni del cable de alimentación para desenchufarlo.

Mantenimiento y limpieza

Antes del mantenimiento o la limpieza:

- ▷ Desconecte el dispositivo de la fuente de alimentación; p. ej., desconecte el fusible en la caja de fusibles.



Riesgo de descarga eléctrica en caso de entrada de líquidos!

El dispositivo contiene componentes eléctricos.

- ▷ Asegúrese de que no entren líquidos en el interior del dispositivo.
- ▷ No use vapor a presión para limpiar el dispositivo.
- ▷ No use un paño húmedo para limpiar los elementos de funcionamiento.

Reparación

- ▷ Asegúrese de que solo personal cualificado realice las tareas de instalación y reparación del aparato.
- ▷ Póngase en contacto con un centro de servicio técnico autorizado por el fabricante o personal cualificado, en los siguientes casos:
 - Inmediatamente después de desembalar y en caso de duda acerca de la integridad del dispositivo
 - Durante la instalación (conforme a las instrucciones del fabricante)
 - En caso de duda acerca del funcionamiento correcto del dispositivo
 - En caso de funcionamiento inadecuado o fallo de funcionamiento
 - En caso de sustitución del enchufe de la toma de alimentación si es incompatible con el enchufe de alimentación del dispositivo.

Puesta fuera de funcionamiento

- ▷ Si el horno ya no se va a usar más, póngase en contacto con el centro de servicio técnico o personal cualificado para desconectarlo de la toma de alimentación.

Información para ahorrar energía

Evitar precalentar el horno si es posible y procurar llenarlo siempre. Abrir la puerta del horno lo menos posible, ya que el calor sale del interior cada vez que se abre. Para un mayor ahorro de energía, apagar el horno entre 5 y 10 minutos antes de que finalice tiempo de cocción previsto y usar el calor residual que sigue generando. Mantener las juntas limpias y en orden para evitar que el calor se salga del interior. En el caso de disponer de una tarifa eléctrica con discriminación horaria, el programa «cocción diferida» ayuda a ahorrar energía al retrasar la cocción a una franja horaria en que la tarifa sea más reducida.

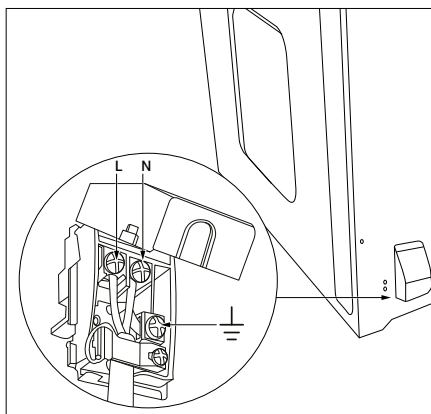
INSTALACIÓN

Encastre del horno

- ▶ El horno puede ser instalado debajo de la encimera o en una columna. Las dimensiones del encastre deben ser como se muestra en figura.
- ▶ El material del mueble debe ser capaz de resistir al calor.
- ▶ El horno debe ser centrado respecto de las paredes del mueble y fijado con los tornillos y casquillos suministrados junto con el producto.

Conexión eléctrica

- ▷ Antes de efectuar la conexión eléctrica cerciorarse de que:
 - ▶ Las características de la instalación se correspondan con las indicadas en la placa situada en la parte frontal del horno.
 - ▶ La instalación esté provista de una eficaz conexión a tierra según las normas y las disposiciones de la ley en vigor. La conexión a tierra es obligatoria según la ley.
- ▷ El cable en ningún punto deberá alcanzar una temperatura superior de 50° C a temperatura ambiente.
- ▷ Si un aparato fijo no está provisto de cable de alimentación con enchufe, en la red de alimentación debe incluirse un dispositivo de corte, instalado con arreglo a las disposiciones vigentes y con una distancia de apertura de los contactos que asegure la desconexión completa en las condiciones estipuladas para la categoría de sobretensión III.
- ▷ La toma o el interruptor omnipolar deben ser de fácil acceso una vez instalado el aparato.



Tipos y diámetro mínimo de los cables

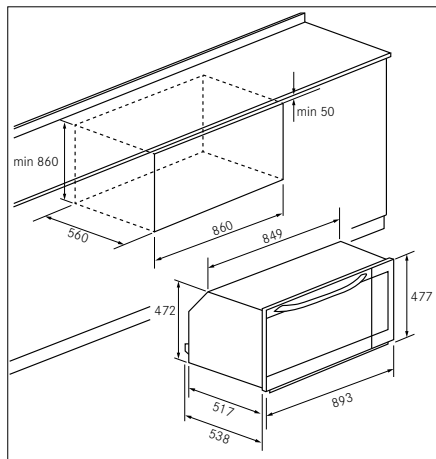
H05RR-F	3x1,5 mm ²
H05VV-F	3x1,5 mm ²
H05RN-F	3x1,5 mm ²
H05V2V2-F	3x1,5 mm ²
SASO	
H05RR-F	3x2,5 mm ²
H05VV-F	3x2,5 mm ²
H05RN-F	3x2,5 mm ²
H05V2V2-F	3x2,5 mm ²



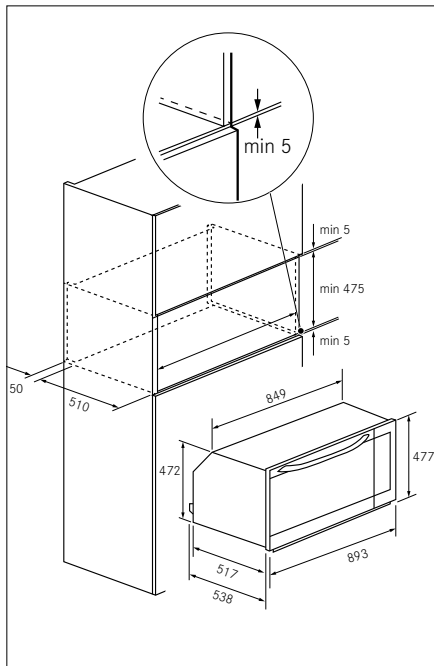
ADVERTENCIA! El fabricante declina toda responsabilidad en el caso de que todo lo mencionado arriba y las usuales normas para la prevención de accidentes no sean respetadas.

Instalacion del horno en el mueble

Tipo empotrado bajo encimera



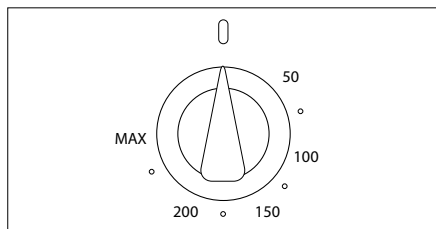
Integrado en columna



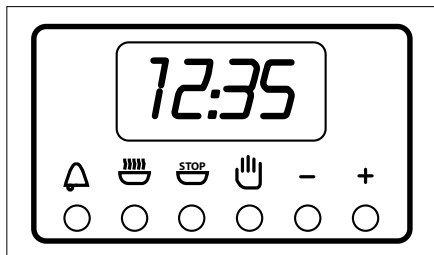
INFORMACIÓN GENERAL

Termostato

- Dispositivo que permite regular la temperatura de cocción más idónea para los alimentos a cocinar y puede ser regulado desde 50° a 250° C.




Temporizador electrónico de 6 teclas



Regulación del reloj

- Apretar simultáneamente las teclas de duración y fin de cocción y pulsar las teclas / hasta la programación de la hora deseada.


Funcionamiento manual

- ▶ Para cocciones con tiempo indefinido apretar la tecla manual .



Funcionamiento semiautomático de duración cocción

- ▶ Para cocciones con tiempo definido. Apretar la tecla de duración cocción y programar con las teclas **+** / **-** el tiempo necesario para la cocción.
- ▶ Transcurrido el tiempo entra en funcionamiento la señal acústica y el horno deja de funcionar.
- ▶ Volver a colocar el mando del termostato y del selector de potencia en posición 0 luego apretar la tecla manual.

Funcionamiento semiautomático de fin cocción

- ▶ Para cocciones con tiempo definido apretar la tecla de fin cocción  y programar con las teclas **+** / **-** la hora en la cual se quiere que el horno deje de funcionar.
- ▶ Transcurrido el tiempo entra en funcionamiento el indicador acústico y el horno se para.
- ▶ Volver a colocar el mando del termostato y del selector de potencia en posición 0, luego apretar la tecla manual.

Funcionamiento automático

- ▶ Para cocciones con tiempo definido apretar la tecla de duración de cocción  y programar con las teclas **+** / **-** el tiempo necesario para la cocción.
- ▶ Apretar la tecla de fin cocción  y programar la hora en la cual se quiere que el horno se pare
- ▶ Al final del programa el símbolo AUTO parpadea, se pone en funcionamiento la señal acústica que deberá ser apagada apretando cualquier tecla.

Minutero

- ▶ Apretar la tecla del minutero y seleccionar el tiempo de cocción deseado con la tecla **+** / **-**.
- ▶ Al final del tiempo programado se pone en funcionamiento la señal acústica que puede ser interrumpida apretando cualquier tecla.

Errores de programación

- ▶ Tenemos un error de programación si la hora indicada por el reloj está comprendida entre la hora de inicio y la hora de fin cocción.
- ▶ El error será señalado acústicamente y mediante el parpadeo intermitente del símbolo AUTO.
- ▶ El error de programación puede ser corregido variando la duración o el tiempo de cocción.

Anulación de un programa

- ▶ Un programa puede ser anulado apretando el botón del funcionamiento manual.

Funciones panel de mandos

Símbolos del panel de control

**Bombilla horno**

Queda siempre encendida durante el funcionamiento.

**Resistencia superior e inferior**

Regulación del termostato entre 50 °C y MAX..

**Resistencia superior, inferior con ventilador**

Regulación del termostato entre 50 °C y MAX.

**Resistencia circular con ventilador.**

Regulación del termostato entre 50 °C y MAX.

**Resistencia inferior con ventilador.**

Regulación del termostato entre 50 °C y MAX.

**Doble resistencia superior con ventilador (grill gran superficie).**

Regulación del termostato entre 50 °C y 200 °C.

**Resistencia superior (grill superficie y potencia reducida).**

Regulación del termostato entre 50 °C y 200 °C.

**Esta función se utiliza para ahorrar energía.**

Ideal para alimentos congelados o precocinados y para comidas en pequeñas porciones. El tiempo de precalentamiento es muy corto y la cocción tiende a ser más lenta. No recomendada para cargas pesadas, como la preparación de grandes porciones o comidas.

FUNCIONAMIENTO

Funciones del horno

Cocción convencional



Sistema clásico que utiliza calor superior e inferior apto para la cocción de un solo plato. Es mejor que el alimento sea introducido cuando el horno haya alcanzado la temperatura preestablecida, es decir, cuando se haya apagado el indicador luminoso. Si hacia el final de la cocción fuese necesario aumentar la temperatura inferior o superior, girar el mando hasta situarlo en la posición correspondiente. Se aconseja abrir lo menos posible la puerta del horno durante la cocción.

Descongelación

Seleccionando una de las funciones de cocción ventilada y ajustando el termostato sobre el cero, el ventilador hace circular aire frío dentro del horno, facilitando de esta manera una descongelación rápida de los alimentos congelados.



Cocción ventilada

Con este tipo de cocción, un ventilador situado en la parte trasera hace circular el aire caliente dentro del horno, distribuyéndolo de manera uniforme. La cocción se produce más rápidamente con respecto a la cocción convencional. El sistema es idóneo para la cocción de alimentos de distintas clases (pescado, carne, etc.) también unos encima de otros.



Cocción al grill

Tipo de cocción para asar al grill o para dorar los alimentos. Nota: Algunos hornos pueden estar equipados con un motor giratorio y un espetón para la cocción en el asador. La parrilla con el alimento a cocinar debe posicionarse en la 1a o 2a posición de arriba. Precalentar durante 5' y girar el termostato hasta situarlo a temperaturas entre 50 °C y 200 °C.



Ventilador de enfriamiento

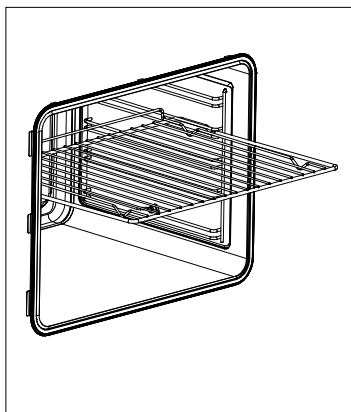
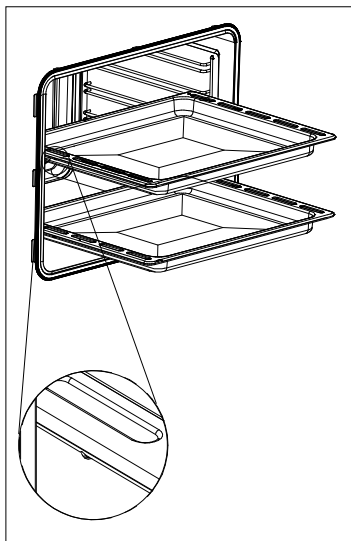
- ▶ El ventilador está situado en la parte superior del horno y crea una circulación de aire de enfriamiento dentro del mueble y a través de la puerta del propio horno.
- ▶ Se pone en marcha cuando la parte exterior del horno alcanza los 60 °C aprox.
- ▶ Encendiendo el horno y llevando el termostato a 200 °C, el ventilador se pone en marcha al cabo de unos 10 minutos.
- ▶ El ventilador se apaga cuando la temperatura de la parte exterior del horno desciende por debajo de los 60 °C.
- ▶ Después de utilizar el horno a 200 °C el ventilador se apaga al cabo de unos 30 minutos.

IMPORTANTE: No es necesario el precalentamiento, pero para la repostería es preferible hacerlo.

Ubicación de las parrillas

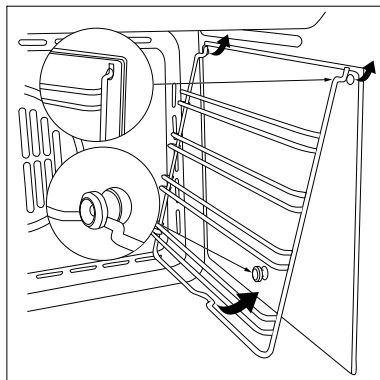
Para la colocación correcta de las rejas, consultar las figuras siguientes:

Guías desmontables



Primera utilización

- ▶ El horno se limpia a fondo con agua y jabón y se enjuaga cuidadosamente
- ▶ Para sacar los armazones laterales en los hornos con paredes lisas proceder como se ilustra en la figura.

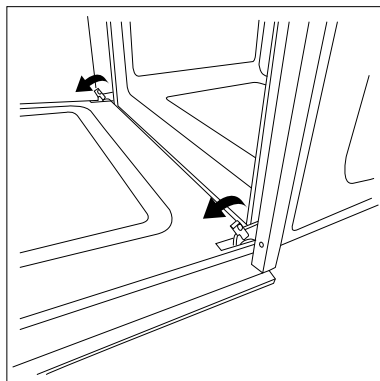


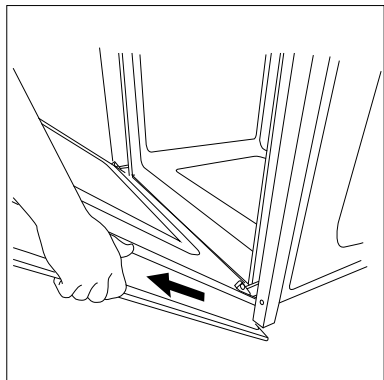
- ▶ Recalentar el horno alrededor de 30 minutos a la máxima temperatura; serán así eliminados todos los residuos grasos ya que podrían causar olores desagradables durante la fase de cocción.

Desmontaje de la puerta del horno

El desmontaje de la puerta del horno puede ser fácilmente efectuado obrando como sigue:

- ▶ Abrir totalmente la puerta.
- ▶ Alzar las dos palanquitas indicas en figura.
- ▶ Volver a cerrar la puerta después de la primera parada, consecuencia de la subida previa de las dos palanquitas.
- ▶ Alzar la puerta hacia arriba y hacia el exterior del horno para extraerla.





- ▶ Para volver a montar la puerta, introducir las bisagras en las apropiadas sedes y luego volver a colocar las dos palanquitas en la posición de cierre.

MANTENIMIENTO Y LIMPIEZA

Cambio de la bombilla del horno

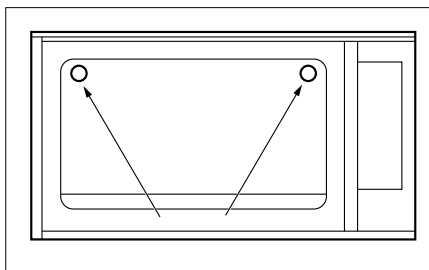
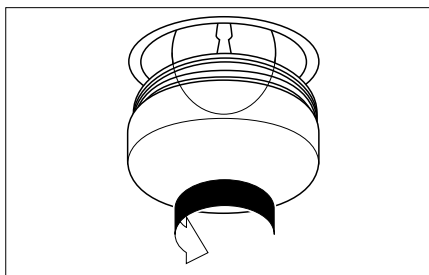
IMPORTANTE: La bombilla del horno debe tener unas características bien determinadas:

- Estructura apta para las altas temperaturas (hasta 300 grados)
- Alimentación: véase el valor V/Hz indicado en la chapa de matrícula
- Potencia 25 W
- Casquillo de tipo E14

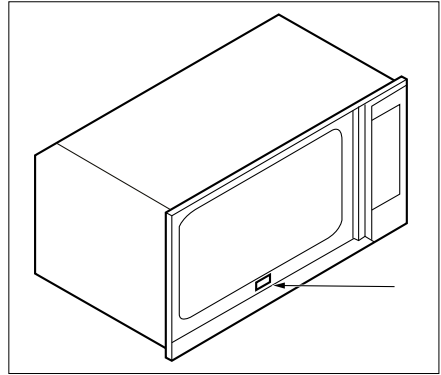


ADVERTENCIA! Antes de proceder con el cambio, se debe desenchufar el aparato de la red eléctrica de alimentación.

- ▶ Para evitar daños, poner en el horno un trapo para vajillas.
- ▶ Desenroscar la protección en vidrio de la bombilla.
- ▶ Desenroscar la vieja bombilla y cambiarla por la nueva.
- ▶ Montar de nuevo la protección en vidrio y quitar el trapo para vajillas.
- ▶ Enchufar de nuevo el aparato a la línea de alimentación.



IMPORTANTE: La placa de características del horno se encuentra disponible junto con el aparato. En esta placa, visible abriendo la puerta, se muestran todos los datos de identificación del aparato a los que se deberá hacer referencia para el pedido de piezas de repuesto.



SERVICIO TÉCNICO

Repuestos

- ▷ Para el mantenimiento del aparato solo se deben utilizar componentes autorizados.
- ▷ No repare ni cambie ninguna pieza del horno que no esté recomendada en este manual.
- ▷ Todas las intervenciones y reparaciones deben ser realizadas por personal técnico autorizado.

Para solicitar una pieza de repuesto, se deben facilitar los siguientes datos:

- Nombre del modelo del horno (MOD.) y número de serie (S.N.), etiqueta del producto que está situada en la pared inferior de la fachada del horno.
- Descripción y número de la pieza de repuesto, información técnica disponible solo para el servicio técnico autorizado.
- Por último, indique los datos del distribuidor que le vendió el horno y los datos del centro de servicio técnico más cercano.

Servicio técnico

Si necesita asistencia técnica y/o piezas de repuesto para el horno, póngase en contacto con su distribuidor o con el centro de servicio técnico autorizado más cercano.

En este caso también es necesario comunicar los datos completos del aparato, que se encuentran en la etiqueta del producto de aluminio y son:

- modelo (MOD.)
- número de serie (S.N.), etc. (etiqueta colocada en la parte inferior de la fachada del horno).

ELIMINACIÓN

Información para usuarios



El símbolo indicado en el producto o en el embalaje indica que el dispositivo no debe desecharse junto con los residuos domésticos.

Al desechar de forma correcta el dispositivo, usted contribuye a evitar efectos nocivos para el medio ambiente y para la salud.

Para más información acerca del reciclaje del dispositivo, consulte a las autoridades competentes, a la empresa encargada de la eliminación de desechos a nivel local, o bien al vendedor del dispositivo.

Si va a desechar definitivamente el dispositivo, hágalo en un punto de recogida de residuos especializado en dispositivos eléctricos y electrónicos.

En cumplimiento con la Directiva 2012/19/UE sobre la reducción de sustancias peligrosas usadas en aparatos eléctricos y electrónicos, y la eliminación de los residuos.

El símbolo de cubo de la basura tachado que hay en el aparato significa que, al final de su vida útil, el producto no debe eliminarse junto con los desechos domésticos normales.

Por lo tanto, cuando el aparato haya alcanzado el final de su vida útil, el usuario debe llevarlo a un centro de reciclaje especializado en residuos electrónicos y electrotécnicos, o bien devolverlo al proveedor al comprar un aparato nuevo de tipo equivalente.

La recogida adecuada de los desechos del aparato debidamente clasificados para su posterior reciclaje, tratamiento y eliminación respetuosa del medio ambiente contribuye a evitar un posible impacto negativo en el medio ambiente y potenciales efectos nocivos para la salud, y además facilita el reciclaje de los materiales usados en la fabricación de aparatos.

Información para las instituciones de pruebas

Para calcular el volumen, desmonte las guías internas laterales si las hay (según los estándares 2009/60350-50304/EN).

ÍNDICE

Acerca deste manual	71	Operação	79
Utilização prevista	72	Funcoes do forno	79
Informação sobre segurança	72	Primeira utilização	80
Instalação	75	Desmontagem da porta forno	80
Vista geral	77	Manutenção e limpeza	81
Funções painel de comandos	78	Assistência	82
		Eliminação	83

ACERCA DESTE MANUAL

Estimado cliente

Agradecemos, muito sinceramente a sua escolha, e aproveitamos a ocasião para o felicitar. Este novo produto, que foi projectado com grande atenção e construído com os melhores materiais, foi verificado e aprovado, de maneira a dar-lhe total satisfação para um cozinhado perfeito.

Este manual do utilizador aplica-se a diversos modelos do aparelho. Assim, algumas das funcionalidades e funções descritas podem não estar disponíveis no seu modelo específico.

- ▶ Leia cuidadosamente o manual do utilizador antes de utilizar o aparelho.
- ▶ Guarde o manual do utilizador.
- ▶ Utilize o aparelho descrito neste manual do utilizador apenas de acordo com a utilização pretendida.

A Franke reserva-se o direito de realizar modificações no produto sem aviso prévio. Todas as informações estão corretas no momento da edição.

Símbolo Significado



Símbolo de aviso. Aviso contra riscos de ferimentos.



Ações nas notas de segurança e de aviso para evitar ferimentos ou danos.



Passo de ação. Especifica uma ação a realizar.



Resultado. Resultado de um ou mais passos de ação.

UTILIZAÇÃO PREVISTA

O forno foi desenvolvido exclusivamente para uso doméstico, não profissional, em casa.

O forno foi concebido para oferecer desempenho profissional em casa.

Trata-se de um aparelho altamente versátil que permite a seleção segura e fácil de diferentes métodos de cozedura.

INFORMAÇÃO SOBRE SEGURANÇA

▷ Leia o manual do utilizador e as informações de segurança cuidadosamente antes de utilizar o forno.

▷ Guarde o manual para consultar futuramente.

O fabricante não pode ser responsabilizado por eventuais danos que possam ocorrer devido a instalação incorreta e utilização incorreta, inadequada ou não razoável do aparelho.

A segurança elétrica do forno é garantida apenas quando está ligado a um sistema de terra de acordo com os regulamentos válidos.

Para garantir a operação segura e eficiente deste aparelho elétrico:

- ▷ Contacte apenas centros de assistência autorizados.
- ▷ Não modifique nenhuma funcionalidades do aparelho.
- ▷ Este aparelho pode ser utilizado por crianças a partir dos 8 anos de idade e por pessoas com capacidades físicas, sensoriais ou

mentais reduzidas ou com pouca experiência ou conhecimentos desde que tenham supervisão ou tenham recebido instruções relativas à utilização do aparelho de forma segura e compreendam os riscos inerentes.

- ▷ As crianças não devem brincar com o aparelho.
- ▷ A limpeza e a manutenção do utilizador não devem ser efetuadas por crianças sem supervisão.
- ▷ Este aparelho não é um brinquedo.
- ▷ Não deixe crianças perto do aparelho sem vigilância.
- ▷ Não deixe crianças brincarem com o aparelho.
- ▷ Não deixe crianças tocarem no aparelho nem nos seus comandos durante e imediatamente após a sua utilização.
- ▷ Certifique-se de que o aparelho é instalado de forma a poder ser desligado da fonte de alimentação,

com uma distância de abertura de contacto que garanta uma desconexão total em condições de sobretensão de categoria III. A fiação fixa deve ter um meio de desconexão incorporado de acordo com as regras de fiação.

- ▷ Use apenas a sonda de temperatura recomendada para este forno.
- ▷ O aparelho não deve ser instalado atrás de uma porta decorativa para evitar sobreaquecimento.



Risco de queimaduras!

- ▷ O aparelho fica quente durante a utilização. Deve ter cuidado para evitar tocar em elementos de aquecimento no interior do forno. Mantenha as crianças com idade inferior a 8 anos afastadas do aparelho a menos que estejam vigiadas permanentemente.



Risco de queimaduras!

A ponta da pega da porta poderá estar mais quente devido ao ar quente que é ventilado.

- ▷ Certifique-se sempre de que os botões de controlo estão na posição off quando

o forno não está a ser utilizado.

AVISO: certifique-se de que o aparelho está desligado antes de substituir a lâmpada, para evitar a possibilidade de choque elétrico.

- ▷ Não use produtos de limpeza agressivos nem raspadores de metal afiados para limpar o vidro da porta do forno/o vidro das tampas com dobradiças da placa (conforme aplicável), uma vez que podem riscar a superfície e provocar o estilhaçamento do vidro.
- ▷ Não use aparelhos de limpeza a vapor nem jatos de água diretos. Se o cabo de alimentação ficar danificado, tem de ser substituído pelo fabricante, pela assistência técnica ou por outra pessoa qualificada para evitar perigo

CUIDADO: Para evitar o risco de reiniciar o corte térmico acidentalmente, este aparelho não deve ser conectado a um interruptor externo como um temporizador, por exemplo, nem a um circuito que seja ligado e desligado regularmente pela rede elétrica.

O produto contém uma fonte de luz com classe de eficiência energética „G“.

Instalação e colocação corretas

- ▷ Mantenha as crianças afastadas do aparelho e do material de embalagem.
- Se o forno tiver de ser ligado de forma permanente à fonte de alimentação:
- ▷ Certifique-se de que o aparelho é instalado apenas pela assistência ao cliente, um electricista ou pessoal qualificado com os conhecimentos/formação apropriados.
 - ▷ Certifique-se de que o aparelho está ligado diretamente à tomada de alimentação. Certifique-se de que não são utilizados adaptadores, tomadas múltiplas ou cabos de extensão para ligar o aparelho.
 - ▷ Certifique-se de que o dispositivo não está exposto a agentes atmosféricos (chuva, sol).



Risco de morte!

- ▷ Mantenha os animais de estimação afastados do aparelho.
- ▷ Os materiais de embalagem como, por exemplo, película de plástico e poliestireno podem ser perigosos para as crianças.
- ▷ Mantenha o material de embalagem afastado das crianças.

Utilização adequada

- ▷ Use apenas o aparelho para preparar e cozinhar alimentos.
- ▷ Use luvas de forno quando colocar ou retirar recipientes no/do forno.
- ▷ Observe os manuais dos equipamentos de cozinha que são usados com o forno quando usar o aparelho.
- ▷ Não coloque cabos de alimentação de outros eletrodomésticos nas zonas quentes do forno.
- ▷ Não use líquidos inflamáveis perto do forno.



Risco de sobreaquecimento e avaria do forno devido a ventilação bloqueada!

- ▷ Nunca cubra as paredes interiores do forno com folha de alumínio.
- ▷ Não bloqueie a ventilação da ventoinha nem as aberturas de arrefecimento por cima da porta do forno.



Risco de queimaduras!

- ▷ Quando abrir ou fechar a porta, segure sempre na pega da porta pelo meio.



Risco de choque elétrico devido a aparelho danificado!

- ▷ Não ligue um aparelho danificado.
- ▷ Desligue o disjuntor no quadro elétrico.
- ▷ Contacte a assistência ao cliente.



Risco de choque elétrico!

- ▷ Não toque no aparelho com partes do seu corpo molhadas.
- ▷ Não use o aparelho se estiver descalço.
- ▷ Não puxe pelo aparelho ou cabo de alimentação para o desligar da tomada.

Manutenção e limpeza

Antes da manutenção ou limpeza:

- ▷ Desligue o aparelho da fonte de alimentação, por ex., desligando o disjuntor no quadro elétrico.



Risco de choque elétrico devido a entrada de líquido!

O aparelho contém componentes elétricos.

- ▷ Certifique-se de que não entra qualquer líquido no aparelho.
- ▷ Não use vapor pressurizado para limpar o aparelho.
- ▷ Não use um pano molhado quando limpar elementos que estejam em funcionamento.

Reparação

- ▷ A instalação ou reparação do aparelho deve ser da competência exclusiva de pessoal qualificado.
- ▷ Contacte um centro de assistência autorizado pelo fabricante ou pessoal qualificado nos seguintes casos:
 - Imediatamente após desembalar, em caso de dúvidas relativamente à integridade do aparelho

- Durante a instalação (de acordo com as instruções do fabricante)
- Dúvidas relativamente à operação correta do aparelho
- Avaria ou mau funcionamento
- Substituição da tomada se for incompatível com a ficha do aparelho.

Retirar de serviço

- ▷ Se já não for utilizar o forno, contacte o centro de assistência ou pessoal qualificado para o desligar da fonte de alimentação.

Informações para economia de energia

Sempre que possível, evite preaquecer o forno e tente sempre enchê-lo. Abra a porta do forno o mais raramente possível, pois o calor da cavidade se dispersa toda vez que é aberto. Para uma significativa economia de energia, desligue o forno entre 5 e 10 minutos antes do final do tempo de cozedura planeado e utilize o calor residual que o forno continua a gerar. Mantenha as vedações limpas e em ordem, para evitar qualquer dispersão de calor fora da cavidade. Se tiver um contrato elétrico com uma tarifa por hora, o programa de „cozedura atrasada“ torna a economia de energia mais simples, movendo o processo de cozedura para iniciar no horário de tarifa reduzida.

INSTALAÇÃO

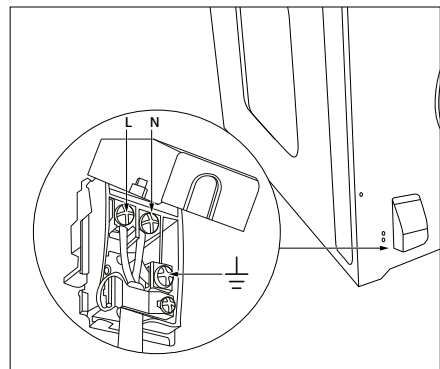
Encastre do forno

- ▶ O forno pode ser instalado debaixo de um plano de cozedura ou então na coluna.
- ▶ As dimensões de encastre devem ser como referido na figura.
- ▶ O material do móvel deve ser capaz de resistir ao calor. O forno deve ser centrado respeito às paredes do móvel e fixado com os parafusos e buchas que são fornecidas em dotação.

Ligação eléctrica

- ▷ Antes de efectuar a ligação eléctrica certificar-se que:
 - ▶ As características da instalação sejam tais que possam satisfazer quanto indicado na placa da matrícula aplicada na frente do forno.
 - ▶ a instalação esteja dotada
 - ▶ De uma eficaz ligação a terra segundo as normas e as disposições de lei em vigor. A ligação a terra é obrigatória nos termos da lei.
- ▷ O cabo em nenhum ponto deverá atingir uma temperatura superior de 50° C aquela ambiente.

- ▷ Se um aparelho fixo não estiver equipado com cabo de alimentação e ficha, ou outro dispositivo que garanta a desactivação da rede, com uma distância de abertura dos contactos que permita a desactivação completa nas condições da categoria de sobretensão III, esses dispositivos de desactivação devem estar previstos na rede de alimentação, em conformidade com as instruções de instalação.
- ▷ A tomada ou o interruptor omnipolar devem-se poder atingir facilmente com a aparelhagem instalada.



Tipos e diâmetro mínimo dos cabos

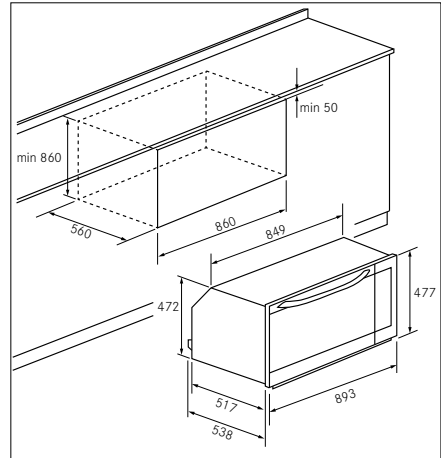
H05RR-F	3x1,5 mm ²
H05VV-F	3x1,5 mm ²
H05RN-F	3x1,5 mm ²
H05V2V2-F	3x1,5 mm ²
SASO	
H05RR-F	3x2,5 mm ²
H05VV-F	3x2,5 mm ²
H05RN-F	3x2,5 mm ²
H05V2V2-F	3x2,5 mm ²



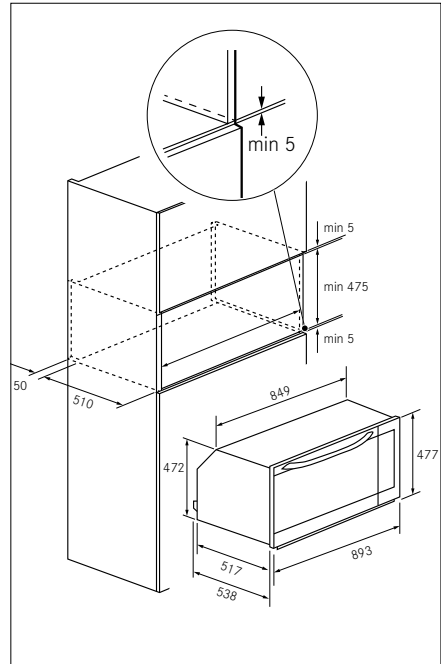
AVISO! O fabricante declina todas as responsabilidades no caso que quanto acima e as usuais normas de prevenção contra os acidentes não sejam respeitadas.

Inserimento do forno no movel

Feito sob o tipo



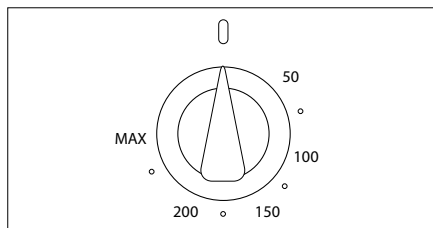
Encaixe em coluna



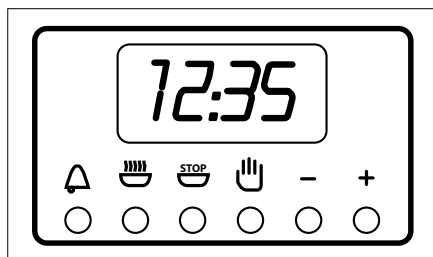
VISTA GERAL

Termóstato

- ▶ Dispositivo que permite regular a temperatura de acordo com o tipo e forma dos alimentos a cozinhar e que pode ser regulado desde 50° C até 250° C.



Timer electrónico 6 teclas



Regulação do relógio

- ▶ Carregar simultaneamente nas teclas de duração (🕒) e fim cozedura (🛑) e agir sobre as teclas + / - até à programação da hora desejada.

Funcionamento manual

- ▶ Para cozinhar a tempo indefinido carregar na tecla manual (👉).

Funcionamento semiautomático de duração de cozinhado

- ▶ Para cozinhar a tempo definido. Carregar na tecla de duração de cozinhado e programar com as teclase + / - o tempo necessário para o cozinhado.
- ▶ Passado o tempo entra em função o sinal acústico e o forno deixa de funcionar.

- ▶ Tornar a levar o botão do termóstato e do comutador à posição 0 em seguida carregar na tecla manual.

Funcionamento semiautomático fim de cozinhado

- ▶ Para cozinhar a tempo definido carregar na tecla fim de cozinhado (🛑) e programar com as teclase + / - a hora na qual se pretende que o forno deixe de funcionar.
- ▶ Passado o tempo entra em função o sinalizador acústico e o forno deixa de funcionar.
- ▶ Tornar a levar o botão do termóstato e do comutador à posição 0 em seguida carregar na tecla manual.

Funcionamento automático

- ▶ Para cozinhar a tempo definido carregar na tecla de duração de cozinhado (🕒) e programar com as teclase + / - o tempo necessário para cozinhar.
- ▶ Carregar na tecla fim de cozinhado (🛑) e programar a hora na qual se deseja que o forno deixe de funcionar.
- ▶ Ao fim do programa o símbolo AUTO lampeja, coloca-se em função o sinal acústico que deverá ser desligado carregando uma tecla qualquer.

Contador de minutos

- ▶ Carregar na tecla conta-minutos e seleccionar o tempo de cozinhado adequado com a tecla + / - keys to set the required duration of cooking.
- ▶ Ao fim do tempo programado, colocase em função o sinal acústico que pode ser interrompido carregando uma das teclas quaisquer.

Erros de programação

- ▶ Tem-se um erro de programação se a hora indicada pelo relógio estiver compreendida entre a hora de início e a hora do fim de cozinhado.
- ▶ O erro será sinalizado acusticamente e mediante o lampejo intermitente do símbolo AUTO. Simply change the duration or cooking time to correct the error.
- ▶ O erro de programação pode ser corrigido variando a duração ou o tempo de cozinhado.

Anulamento programa

- ▶ Um programa pode ser anulado carregando no botão do funcionamento manual.

Funções painel de comandos

Símbolos funções no comutador



Lâmpada do forno

Permanece sempre acesa durante o funcionamento.



Resistência superior e inferior

Regulação do termóstato de 50 °C ao MAX.



Resistência superior, inferior com ventilador.

Regulação do termóstato desde 50 °C ao MAX.



Resistência circular com ventilador.

Regulação do termóstato desde 50 °C ao MAX.



Resistência inferior com ventilador.

Regulação do termóstato desde 50 °C ao MAX.



Dupla resistência superior com ventilador (grill de grande superfície)

Regulação do termóstato desde 50 °C até 200 °C



Resistência superior (grill superfície potência reduzida).

Regulação do termóstato desde 50 °C até 200 °C.



Este modo destina-se a poupar energia..

É ideal para alimentos congelados ou précozinhados, e refeições de porções pequenas. O tempo de pré-aquecimento é muito curto e a cozedura tende a ser mais lenta. Não é recomendável para cargas pesadas, por ex., porções grandes ou uma preparação de refeição grande.

OPERAÇÃO

Funcoes do forno

Modo convencional



Modo clássico que utiliza calor superior e inferior adequado para cozinhar um só prato. É bem que os alimentos sejam introduzidos quando o forno atingiu a temperatura preestabelecida, isto é quando se desligou o visor luminoso. Se para o fim da cozedura se tivesse a necessidade de aumentar a temperatura inferior ou superior, posicionar o comutador na respectiva posição. Aconselha-se de abrir o menos possível a porta do forno durante a cozedura

Descongelação

Seleccionar uma das funções de cozedura ventilada e regulando o termóstato no zero, o ventilador fará circular dentro do forno o ar frio, favorecendo assim uma rápida descongelação dos alimentos congelados.



Modo ventilado



Com este tipo de cozedura, um ventilador colocado na parte posterior faz circular o ar quente dentro do forno, distribuindo-o em modo uniforme. A cozedura faz-se mais rapidamente respeito à cozedura convencional. Modo indicado para cozinhar utilizando várias prateleiras e também para alimentos de natureza diferente (peixe, carne etc.).

Modo grill



Modo indicado para grelhados ou para gratinar alimentos. Alguns fornos podem estar equipados com motor e espeto giratório para assados ou churrasco. Para uma utilização correcta do Grill, inserir sempre a grelha na 1ª ou 2ª posição de cima no forno. Aquecer previamente por 5 minutos. Rodar o botão do termóstato com temperaturas desde 50 °C até 200 °C.

Ventilador de arrefecimento

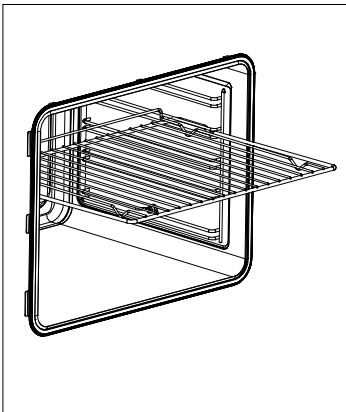
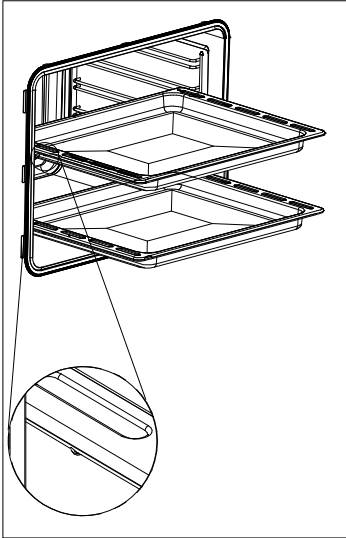
- ▶ O ventilador está situado na parte superior do forno e procura um circulo de ar de arrefecimento dentro do móvel e através da porta do próprio forno.
- ▶ Entra em função quando a parte exterior do forno atinge os 60 °C aprox.
- ▶ Acendendo o forno e programando o termóstato a 200 °C, o ventilador entra em função após 10 min. aprox. A desligação do ventilador efectua-se quando a parte exterior do forno baixa para lá dos 60 °C.
- ▶ Depois de uma utilização do forno a 200 °C o ventilador desliga-se após 30 min. aprox.

IMPORTANTE: Não é necessário o prévio aquecimento, mas para a pastelaria é preferível fazê-lo.

Substituição das grades

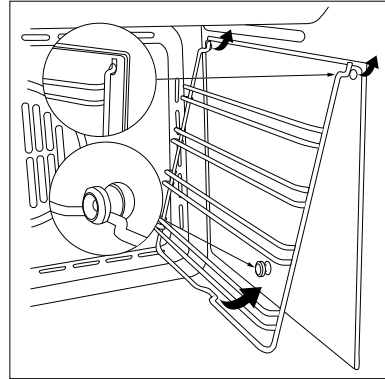
Utilize as figuras abaixo como referência para a correta introdução das grelhas:

Guias removíveis



Primeira utilização

- ▶ O forno deve ser limpo a fundo com água e sabão e depois cuidadosamente secado com um pano.
- ▶ Para tirar as estruturas laterais nos fornos com paredes lisas proceder como ilustrado na figura.

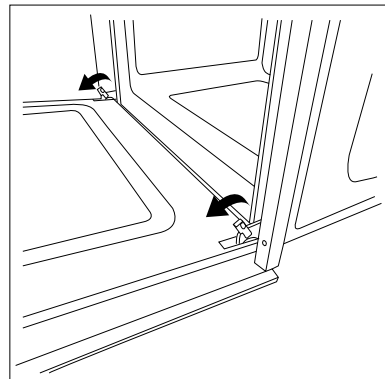


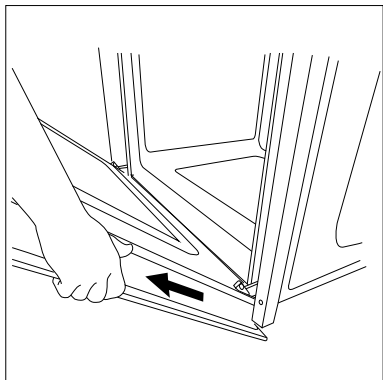
- ▶ Aquecer o forno à máxima temperatura por cerca de 30 minutos; assim serão eliminados todos os resíduos de gorduras de fabrico que poderiam causar cheiros desagradáveis ao cozinhar.

Desmontagem da porta forno

A desmontagem da porta forno pode ser facilmente efectuada operando como a seguir se indica:

- ▶ Abrir totalmente a porta.
- ▶ Elevar as duas alavancas indicadas na figura.
- ▶ Fechar a porta no primeiro disparo de batida determinado pelas duas alavancas levantadas anteriormente.
- ▶ Elevar a porta para cima e para a parte de fora do forno para a extrair das sedes.





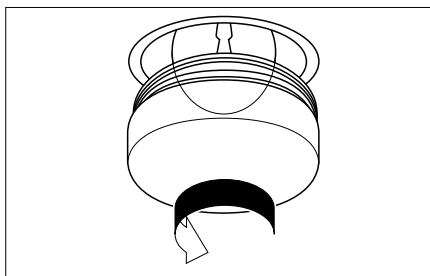
- ▶ Para tornar a montar a porta, inserir as dobradiças nas sedes apropriadas e em seguida tornar a levar as duas alavancas na posição de fecho.

MANUTENÇÃO E LIMPEZA

Substituição da lâmpada do forno

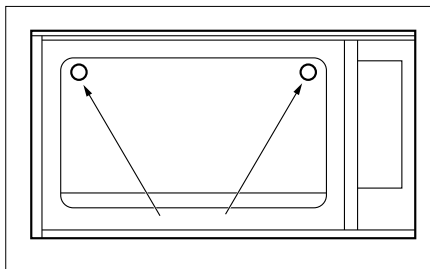
IMPORTANTE: A lâmpada do forno deve haver características exactas:

- Estrutura adequada às altas temperaturas (até 300 graus)
- Alimentação: vide valor V/Hz indicado na placa de matrícula
- Potência 25 W
- Casquilho tipo E 14

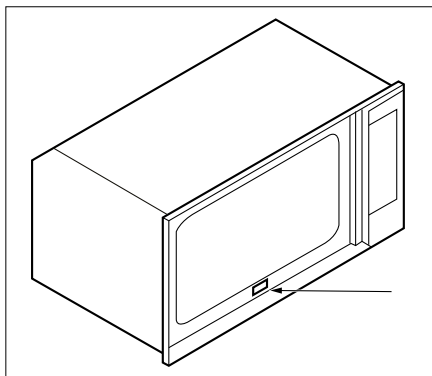


AVISO! Antes de proceder, desligar o aparelho da linha de alimentação.

- ▶ Para evitar danos, estender no forno um pano da louça.
- ▶ Desapertar a protecção em vidro da lâmpada.
- ▶ Desapertar a lâmpada velha e substituí-la com a nova.
- ▶ Tornar a montar a protecção em vidro e tirar o pano da louça.
- ▶ Ligar novamente o aparelho à linha de alimentação.



IMPORTANTE: A placa com as características do forno é acessível também com o aparelho instalado. Nesta placa, visível abrindo a porta, estão referidos todos os dados de identificação do aparelho aos quais se deverá fazer referência para pedidos de peças de substituição.



ASSISTÊNCIA

Peças sobresselentes

- ▷ Para a assistência do eletrodoméstico podem ser utilizados somente componentes autorizados.
- ▷ Não repare ou substitua qualquer componente do forno não recomendado por este manual.
- ▷ Todos os serviços e reparos devem ser realizados por pessoal técnico autorizado.

Para solicitar um componente de substituição, devem ser fornecidos os seguintes dados:

- Sigla do modelo do forno (MOD.) e número de série (S.N.), que estão indicados na etiqueta do produto situada na parte inferior frontal da fachada do forno.
- Descrição e número da peça sobresselente, informações técnicas disponíveis apenas para o serviço de assistência autorizado.
- Por fim, indique os dados do distribuidor que vendeu o forno e os dados do centro de assistência mais próximo.

Assistenza tecnica

Caso seu forno precise de assistência técnica e/ou peças sobresselentes, entre em contacto com o revendedor ou o centro de assistência técnica autorizado mais próximo.

Também neste caso, é necessário fornecer os dados completos do aparelho que estão indicados na etiqueta em alumínio do produto, como:

- modelo (MOD.)
- número de série (S.N.), etc. (etiqueta situada na parte inferior da fachada do forno).

ELIMINAÇÃO

Informação para os utilizadores



O símbolo no produto ou na embalagem indica que o aparelho não deve ser eliminado no lixo doméstico.

Ao eliminar o aparelho de forma adequada está a ajudar a evitar consequências nocivas para o ambiente e para a saúde.

Mais informações sobre como reciclar o aparelho estão disponíveis junto da autoridade competente, do serviço de eliminação de resíduos local ou do fornecedor do aparelho.

Elimine o aparelho recorrendo a um ponto de recolha de resíduos especializado em dispositivos eletrónicos e elétricos.

Em conformidade com a Diretiva 2012/19/UE relativa à redução de substâncias perigosas utilizadas em aparelhos elétricos e eletrónicos e à eliminação de resíduos.

O símbolo do caixote do lixo cortado no aparelho indica que no fim da sua vida útil o produto não deve ser eliminado como lixo doméstico.

Consequentemente, quando o aparelho chegou ao fim da sua vida útil, o utilizador deve levá-lo a um centro de reciclagem adequado para eliminação de resíduos eletrónicos e eletrotécnicos, ou devolvê-lo ao revendedor quando comprar um novo aparelho de tipo equivalente.

Uma recolha de resíduos separada adequada do aparelho eliminado para posterior reciclagem, tratamento e eliminação amiga do ambiente ajuda a evitar um impacto potencialmente negativo no ambiente e na saúde e facilita a reciclagem dos materiais utilizados na construção de aparelhos.

Informação para os centros de testes

Para calcular o volume, retire as corrediças internas do lado do fio, se presentes (de acordo com as normas 2009/60350-50304/EN).

ΠΙΝΑΚΑΣ ΠΕΡΙΕΧΟΜΕΝΩΝ

Πληροφορίες για το παρόν εγχειρίδιο	83	Λειτουργία	92
Προοριζόμενη χρήση	84	Λειτουργίες φούρνου	92
Πληροφορίες ασφάλειας	84	Τοποθέτηση σχαρών	93
Εγκατάσταση	88	Αφαίρεση της πόρτας του φούρνου	93
Περίληψη	89	Καθαρισμός και συντήρηση	94
Λειτουργίες πίνακα ελέγχου	91	Υποστήριξη	95
		Απόρριψη	96

ΠΛΗΡΟΦΟΡΙΕΣ ΓΙΑ ΤΟ ΠΑΡΟΝ ΕΓΧΕΙΡΙΔΙΟ

Αγαπητέ/ή πελάτη/ισσα,

Σας ευχαριστούμε και σας συγχαίρουμε για την επιλογή σας. Το νέο αυτό προσεκτικά σχεδιασμένο προϊόν, κατασκευασμένο με υλικά άριστης ποιότητας, έχει υποστεί διεξοδικούς ελέγχους ώστε να ικανοποιεί όλες τις μαγειρικές σας απαιτήσεις. Συνιστούμε, λοιπόν, να διαβάσετε και να ακολουθήσετε τις εύκολες αυτές οδηγίες, οι οποίες θα επιτρέψουν την απόκτηση εξαιρετικών αποτελεσμάτων ήδη από την πρώτη στιγμή.

Το παρόν εγχειρίδιο χρήσης ισχύει για διαφορετικά μοντέλα της συσκευής. Επομένως, κάποια από τα χαρακτηριστικά και τις λειτουργίες που περιγράφονται πιθανώς να μην είναι διαθέσιμα στο δικό σας μοντέλο.

- ▶ Διαβάστε προσεκτικά το εγχειρίδιο χρήσης πριν χρησιμοποιήσετε τη συσκευή.
- ▶ Φυλάξτε το εγχειρίδιο χρήσης.
- ▶ Χρησιμοποιήστε τη συσκευή που περιγράφεται στο παρόν εγχειρίδιο χρήσης μόνο σύμφωνα με τη χρήση για την οποία προορίζεται.

Η Franke διατηρεί το δικαίωμα να πραγματοποιεί τροποποιήσεις στο προϊόν χωρίς προηγούμενη ειδοποίηση. Όλες οι πληροφορίες είναι σωστές τη στιγμή της έκδοσης.

Σύμβολο Σημασία



Σύμβολο προειδοποίησης. Προειδοποίηση για κινδύνους τραυματισμού.



Μέτρα ασφαλείας και προειδοποιήσεις προς αποφυγή τραυματισμού ή πρόκληση βλάβης.



Βήμα ενέργειας. Καθορίζει ποιες ενέργειες πρέπει να γίνουν.



Αποτέλεσμα. Αποτέλεσμα ενός ή περισσότερων βημάτων ενέργειας.

ΠΡΟΟΡΙΖΟΜΕΝΗ ΧΡΗΣΗ

Ο φούρνος σχεδιάστηκε αποκλειστικά για μη επαγγελματική, οικιακή χρήση σε νοικοκυριό. Ο φούρνος έχει σχεδιαστεί για επαγγελματική απόδοση στο σπίτι.

Είναι μια συσκευή πολλαπλών εφαρμογών που επιτρέπει την ασφαλή και εύκολη επιλογή διαφορετικών μεθόδων μαγειρέματος.

ΠΛΗΡΟΦΟΡΙΕΣ ΑΣΦΑΛΕΙΑΣ

▷ Διαβάστε προσεκτικά το εγχειρίδιο χρήσης και τις πληροφορίες ασφάλειας πριν χρησιμοποιήσετε τον φούρνο.

▷ Φυλάξτε το εγχειρίδιο για μελλοντική αναφορά.

Ο κατασκευαστής δεν φέρει καμία ευθύνη για πιθανή βλάβη που μπορεί να προκύψει εξαιτίας εσφαλμένης εγκατάστασης και εσφαλμένης, ακατάλληλης ή αλόγιστης χρήσης της συσκευής.

Η ασφάλεια του ηλεκτρικού φούρνου διασφαλίζεται μόνο όταν συνδέεται σε γειωμένο σύστημα που συμμορφώνεται με τους ισχύοντες κανονισμούς. Για να διασφαλίσετε την ασφαλή και αποτελεσματική λειτουργία της παρούσας ηλεκτρικής συσκευής:

- ▷ Επικοινωνείτε μόνο με εξουσιοδοτημένα κέντρα τεχνικής εξυπηρέτησης.
- ▷ Μην τροποποιείτε οποιαδήποτε χαρακτηριστικά της συσκευής.
- ▷ Η συσκευή αυτή μπορεί να χρησιμοποιηθεί από παιδιά

ηλικίας 8 ετών και άνω και άτομα με μειωμένες σωματικές, αισθητηριακές ή διανοητικές ικανότητες ή έλλειψη εμπειρίας και γνώσης, εφόσον βρίσκονται υπό επιτήρηση ή έχουν λάβει οδηγίες σχετικά με την ασφαλή χρήση της συσκευής και κατανοούν τους κινδύνους που συνεπάγεται. Τα παιδιά απαγορεύεται να παίζουν με τη συσκευή. Οι εργασίες καθαρισμού και συντήρησης δεν πρέπει να εκτελούνται από παιδιά χωρίς επιτήρηση.

- ▷ Παιδιά κάτω των 8 ετών δεν επιτρέπεται να χρησιμοποιούν ή να καθαρίζουν τη συσκευή ακόμα κι αν βρίσκονται υπό επιτήρηση.
- ▷ Τα παιδιά πρέπει να βρίσκονται υπό επιτήρηση ώστε να διασφαλίζεται ότι δεν παίζουν με τη συσκευή.
- ▷ Αυτή η συσκευή δεν είναι παιχνίδι.

- ▷ Μην αφήνετε παιδιά κοντά στη συσκευή χωρίς επιτήρηση.
- ▷ Μην αφήνετε παιδιά να παίζουν με τη συσκευή.
- ▷ Μην επιτρέπετε σε παιδιά να αγγίζουν τη συσκευή ή τα πλήκτρα λειτουργίας της στη διάρκεια και αμέσως μετά τη χρήση της.
- ▷ Διασφαλίστε ότι η συσκευή είναι εγκατεστημένη με τέτοιο τρόπο, ώστε να μπορεί να αποσυνδεθεί από την παροχή ισχύος με μια απόσταση ανοίγματος επαφής που διασφαλίζει πλήρη αποσύνδεση στην κατηγορία III καταστάσεων υπέρτασης. Τα μέσα για την αποσύνδεση πρέπει να είναι ενσωματωμένα στη σταθερή καλωδίωση σύμφωνα με τους κανόνες καλωδίωσης.
- ▷ Χρησιμοποιείτε μόνο τον αισθητήρα θερμοκρασίας που ενδείκνυται για τον συγκεκριμένο φούρνο.
- ▷ Η συσκευή δεν πρέπει να εγκατασταθεί πίσω από διακοσμητική πόρτα για να αποφευχθεί η υπερθέρμανση.

Κίνδυνος εγκαύματος!

- ▷ Η συσκευή θερμαίνεται κατά τη χρήση της. Πρέπει να προσέχετε και να αποφεύγετε να αγγίζετε τα θερμαντικά στοιχεία στο εσωτερικό του

φούρνου. Κρατήστε τα παιδιά ηλικίας κάτω των 8 ετών μακριά από τη συσκευή εκτός εάν επιτηρούνται διαρκώς.

Κίνδυνος εγκαύματος!

Το άκρο της θυρολαβής μπορεί να καίει πολύ εξαιτίας της εξαέρωσης ζεστού αέρα.

- ▷ Βεβαιωθείτε ότι τα κουμπιά χειρισμού είναι απενεργοποιημένα, όταν ο φούρνος δεν είναι σε λειτουργία.

ΠΡΟΕΙΔΟΠΟΙΗΣΗ:

Βεβαιωθείτε ότι η συσκευή είναι απενεργοποιημένη προτού αντικαταστήσετε τον λαμπτήρα ώστε να αποκλειστεί η πιθανότητα ηλεκτροπληξίας.

- ▷ Μην χρησιμοποιείτε σκληρά λειαντικά καθαριστικά ή αιχμηρές μεταλλικές ξύστρες για να καθαρίσετε το τζάμι της πόρτας του φούρνου/ το τζάμι των καπακιών της εστίας που συγκρατείται με μεντεσέδες (κατά περίπτωση), καθώς ενδέχεται να προκληθούν γρατζουνιές στην επιφάνεια και, κατ' επέκταση, θρυμματισμός του τζαμιού.
- ▷ Μην χρησιμοποιείτε συστήματα ατμοκαθαρισμού ή πλυστικά μηχανήματα υψηλής πίεσης.
- ▷ Εάν το καλώδιο τροφοδοσίας υποστεί ζημιά, πρέπει

να αντικατασταθεί από τον κατασκευαστή, τον αντιπρόσωπο τεχνικής υποστήριξης ή άλλα ομοίως καταρτισμένα άτομα, προς αποφυγή τυχόν κινδύνου.

ΠΡΟΣΟΧΗ: Για την αποφυγή κινδύνου λόγω ακούσιου μηδενισμού της θερμικής διάταξης διακοπής, η συσκευή αυτή δεν πρέπει να τροφοδοτείται μέσω εξωτερικής συσκευής μεταγωγής, όπως μέσω χρονοδιακόπτη, ή να συνδέεται σε κύκλωμα στο οποίο η τροφοδοσία διακόπτεται και επανέρχεται σε τακτά χρονικά διαστήματα από την υπηρεσία κοινής ωφέλειας.

Το προϊόν περιέχει πηγή φωτός με τάξη ενεργειακής απόδοσης «Z».

Ενδεδειγμένη εγκατάσταση και τοποθέτηση

- ▷ Απομακρύνετε τα παιδιά από τη συσκευή και τα υλικά συσκευασίας.

Αν θέλετε ο φούρνος να είναι μόνιμα συνδεδεμένος στην παροχή ισχύος:

- ▷ Βεβαιωθείτε ότι η συσκευή εγκαθίσταται μόνο από το τμήμα εξυπηρέτησης πελατών, έναν ηλεκτρολόγο ή τεχνικά καταρτισμένο προσωπικό με επαρκείς γνώσεις/κατάλληλη κατάρτιση.
- ▷ Βεβαιωθείτε ότι η συσκευή συνδέεται απευθείας στην κεντρική πρίζα. Βεβαιωθείτε ότι δεν χρησιμοποιούνται προσαρμογείς, πολύπριζα και καλώδια πρόεκτασης (μπαλαντέζες) για τη σύνδεση της συσκευής.
- ▷ Βεβαιωθείτε ότι η συσκευή δεν εκτίθεται σε ατμοσφαιρικούς παράγοντες (βροχή, ήλιος).



Κίνδυνος θανάτου!

- ▷ Απομακρύνετε τα κατοικίδια ζώα από τη συσκευή.
- ▷ Τα υλικά συσκευασίας, π.χ. πλαστική μεμβράνη και πολυστυρένιο, μπορεί να είναι επικίνδυνα για τα παιδιά.
- ▷ Απομακρύνετε τα παιδιά από τα υλικά συσκευασίας.

Ενδεδειγμένη χρήση

- ▷ Χρησιμοποιείτε τη συσκευή μόνο για προετοιμασία και μαγείρεμα φαγητού.
- ▷ Χρησιμοποιείτε γάντια φούρνου όταν τοποθετείτε σκεύη μέσα στον φούρνο ή όταν βγάξετε σκεύη από τον φούρνο.
- ▷ Ελέγχετε τα εγχειρίδια λοιπών συσκευών μαγειρέματος που χρησιμοποιούνται ταυτόχρονα με τον φούρνο όταν χρησιμοποιείτε τη συσκευή.
- ▷ Μην τοποθετείτε καλώδια τροφοδοσίας άλλων ηλεκτρικών συσκευών σε θερμά σημεία του φούρνου.
- ▷ Μην χρησιμοποιείτε εύφλεκτα υγρά κοντά στον φούρνο.



Κίνδυνος υπερθέρμανσης και δυσλειτουργίας του φούρνου εξαιτίας φραγμένου εξαερισμού!

- ▷ Μην καλύπτετε ποτέ τα εσωτερικά τοιχώματα του φούρνου με αλουμινοχαρτό.
- ▷ Μην φράσσετε τον εξαερισμό του ανεμιστήρα ή τις θυρίδες ψύξης επάνω από την πόρτα του φούρνου.



Κίνδυνος εγκαύματος!

- ▷ Όταν ανοίγετε ή κλείνετε την πόρτα, να κρατάτε πάντα τη θυρολαβή από το κέντρο της.



Κίνδυνος ηλεκτροπληξίας εξαιτίας συσκευής που έχει υποστεί βλάβη!

- ▷ Μην ενεργοποιείτε συσκευή που έχει υποστεί βλάβη.
- ▷ Κατεβάστε την ασφάλεια στον ηλεκτρικό πίνακα.
- ▷ Επικοινωνήστε με το τμήμα εξυπηρέτησης πελατών.



Κίνδυνος ηλεκτροπληξίας!

- ▷ Μην αγγίζετε τη συσκευή με βρεγμένα μέλη του σώματός σας.
- ▷ Μην χρησιμοποιείτε τη συσκευή με γυμνά πόδια.
- ▷ Μην τραβάτε τη συσκευή ή το καλώδιο τροφοδοσίας για να το αφαιρέσετε από την πρίζα.

Συντήρηση και καθαρισμός

Πριν τις εργασίες συντήρησης ή καθαρισμού:

- ▷ Αποσυνδέστε τη συσκευή από την παροχή ισχύος, π.χ. κατεβάστε την ασφάλεια στον ηλεκτρικό πίνακα.



Κίνδυνος ηλεκτροπληξίας εξαιτίας εισαγωγής υγρού!

Η συσκευή περιλαμβάνει ηλεκτρικά εξαρτήματα.

- ▷ Βεβαιωθείτε ότι δεν εισέρχεται υγρό στο εσωτερικό της συσκευής.
- ▷ Μην χρησιμοποιείτε ατμό υπό πίεση για να καθαρίσετε τη συσκευή.
- ▷ Μην χρησιμοποιείτε βρεγμένο πανί για να καθαρίσετε τα στοιχεία χειρισμού.

Επισκευή

- ▷ Μην επιτρέπετε σε κανέναν εκτός από το εξουσιοδοτημένο προσωπικό να εγκαθιστά ή να επισκευάζει τη συσκευή.
- ▷ Επικοινωνήστε με ένα εγκεκριμένο από τον κατασκευαστή κέντρο τεχνικής εξυπηρέτησης ή εξουσιοδοτημένο προσωπικό στις παρακάτω περιπτώσεις:
 - Αμέσως μετά την αποσυσκευασία, σε περίπτωση αμφιβολιών σχετικά με την ακεραιότητα της συσκευής
 - Κατά την εγκατάσταση (σύμφωνα με τις οδηγίες του κατασκευαστή)
 - Αμφιβολιών σχετικά με τη σωστή λειτουργία της συσκευής
 - Δυσλειτουργίας ή κακής λειτουργίας
 - Αντικατάστασης της πρίζας εάν δεν είναι συμβατή με το βύσμα της συσκευής.

Απόσυρση

Εάν ο φούρνος δεν χρησιμοποιείται πια, επικοινωνήστε με το κέντρο τεχνικής εξυπηρέτησης ή το εξουσιοδοτημένο προσωπικό για να τον αποσυνδέσουν από την παροχή ισχύος.

Πληροφορίες για την εξοικονόμηση ενέργειας

Όποτε είναι δυνατόν, αποφεύγετε την προθέρμανση του φούρνου και προσπαθείτε πάντα να τον γεμίζετε. Ανοίγετε την πόρτα του φούρνου όσο το δυνατό λιγότερο, επειδή η θερμοότητα από την κοιλότητα διαχέεται κάθε φορά που την ανοίγετε. Για σημαντική εξοικονόμηση ενέργειας, απενεργοποιείτε τον φούρνο 5 με 10 λεπτά πριν την προγραμματισμένη λήξη του χρόνου μαγειρέματος και χρησιμοποιείτε την πλεονάζουσα θερμότητα που παράγει ο φούρνος. Διατηρείτε τους δακτυλίους στεγανοποίησης καθαρούς και τακτοποιημένους για να αποφύγετε τυχόν διάχυση θερμότητας έξω από την κοιλότητα του φούρνου. Εάν έχετε σύμβαση προμήθειας ηλεκτρικής ενέργειας με ωριαία τιμή, το πρόγραμμα "μαγειρέμα με καθυστέρηση" καθιστά την εξοικονόμηση ενέργειας πιο απλή, μετακινώντας τη διαδικασία μαγειρέματος ώστε να ξεκινήσει στον διαθέσιμο χρόνο σε μειωμένη τιμή.

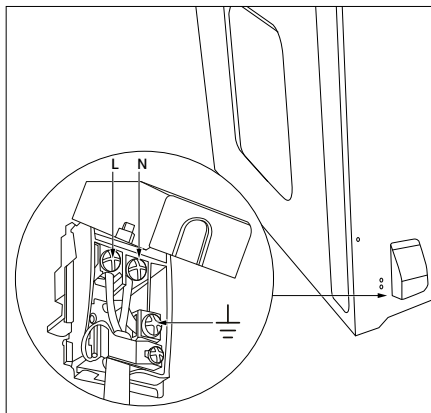
ΕΓΚΑΤΑΣΤΑΣΗ

Ακριβής τοποθέτηση

- ▶ Ο φούρνος μπορεί να εγκατασταθεί κάτω από τον πάγκο εργασίας της κουζίνας ή σε εντοιχισμένη στήλη μαγειρέματος. Στο σχήμα φαίνονται οι διαστάσεις της εγκατάστασης.
- ▶ Βεβαιωθείτε ότι τα περιβάλλοντα υλικά είναι ανθεκτικά στη θερμότητα.
- ▶ Ευθυγραμμίστε τον φούρνο στο κέντρο σε σχέση με τα πλευρικά τοιχώματα των μονάδων που τον περιβάλλουν και στερεώστε τον στη θέση του με τις βίδες και τις βίδες Allen που σας παρέχονται.

Ηλεκτρική ασφάλεια

- ▷ Πριν συνδέσετε τον φούρνο στην κύρια παροχή ισχύος, βεβαιωθείτε ότι:
 - ▶ Η τάση τροφοδοσίας αντιστοιχεί στις προδιαγραφές που αναγράφονται στην πινακίδα με τα στοιχεία στο μπροστινό μέρος του φούρνου.
 - ▶ Η κύρια παροχή ισχύος έχει αποδοτική σύνδεση γείωσης που συμμορφώνεται με όλους τους ισχύοντες νόμους και κανονισμούς. Η σωστή γείωση αποτελεί νομική απαίτηση.
- ▷ Το καλώδιο τροφοδοσίας δεν πρέπει ποτέ να φτάνει σε θερμοκρασία 50° C πάνω από τη θερμοκρασία περιβάλλοντος σε οποιοδήποτε σημείο κατά μήκος του.
- ▷ Εάν μια σταθερή συσκευή δεν διαθέτει καλώδιο τροφοδοσίας και φισ ή κάποια άλλη συσκευή που επιτρέπει την αποσύνδεσή της από την παροχή ηλεκτρικού ρεύματος, με διάκενο μεταξύ των επαφών αρκετά μεγάλο ώστε να διασφαλίζεται η προστασία από υπέρταση κατηγορίας III, τότε η συσκευή αυτή πρέπει να συνδέεται στην παροχή τροφοδοσίας σύμφωνα με τους κανονισμούς που διέπουν τις ηλεκτρικές εγκαταστάσεις.
- ▷ Η πρίζα ή ο διακόπτης πρέπει να είναι εύκολα προσβάσιμα μετά την ολοκλήρωση της εγκατάστασης του φούρνου.



Τύποι καλωδίων και ελάχιστες διαμέτρου

H05RR-F	3x1,5 mm ²
H05VV-F	3x1,5 mm ²
H05RN-F	3x1,5 mm ²
H05V2V2-F	3x1,5 mm ²

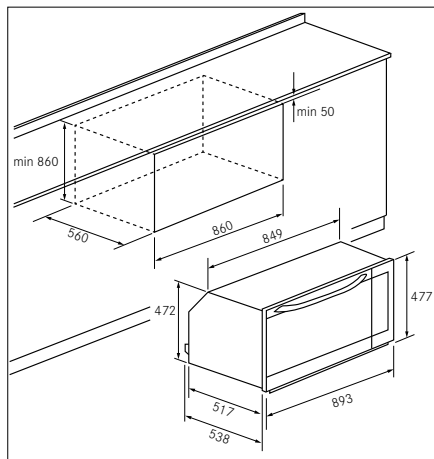
SASO

H05RR-F	3x2,5 mm ²
H05VV-F	3x2,5 mm ²
H05RN-F	3x2,5 mm ²
H05V2V2-F	3x2,5 mm ²

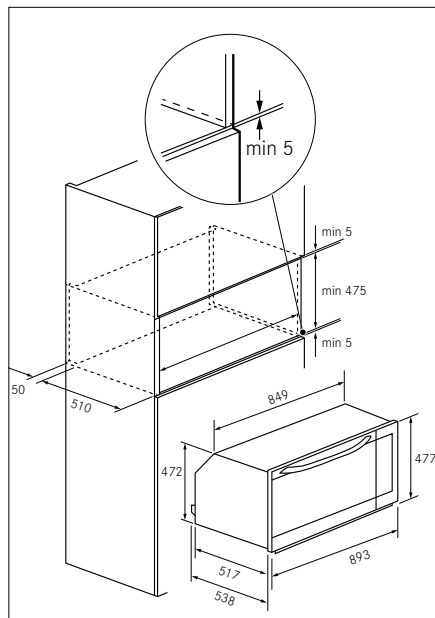
Προειδοποίηση: Ο κατασκευαστής δεν φέρει καμία ευθύνη σε περίπτωση πρόκλησης βλάβης ή τραυματισμού εξαιτίας της μη τήρησης των ανωτέρω οδηγιών και κανονικών συνθηκών ασφαλείας.

Τοποθέτηση φούρνου στο ντουλάπι

Εντοιχιζόμενος φούρνος κάτω από τον πάγκο κουζίνας



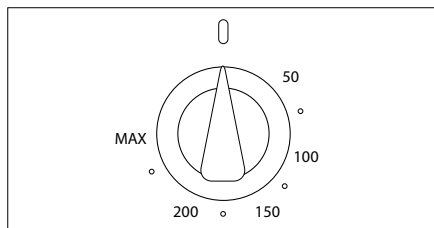
Κάθετος φούρνος



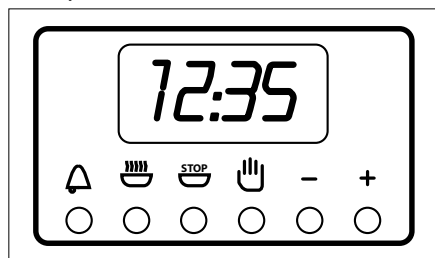
ΠΕΡΙΛΗΨΗ

Θερμοστάτης



- Χρησιμοποιήστε τον θερμοστάτη για να ρυθμίσετε τη θερμοκρασία μαγειρέματος που χρειάζεστε. Ο θερμοστάτης μπορεί να ρυθμιστεί από 50° έως 250° C.




Ηλεκτρονικός χρονοδιακόπτης 6 κουπιών



Ρύθμιση του ρολογιού

- Πατήστε ταυτόχρονα το κουμπί διάρκειας  και το κουμπί λήξης χρόνου μαγειρέματος  και, στη συνέχεια, πατήστε τα κουμπιά **+** / **-** για να ρυθμίσετε την ώρα.


Χειροκίνητη λειτουργία φούρνου

- ▶ Για να ξεκινήσετε το μαγειρέμα χωρίς να ρυθμίσετε την λήξη χρόνου μαγειρέματος, πατήστε το κουμπί χειροκίνητης λειτουργίας .



Ρύθμιση μόνο της διάρκειας μαγειρέματος σε ημιαυτόματη λειτουργία

- ▶ Για να ρυθμίσετε τη διάρκεια του μαγειρέματος, πατήστε το κουμπί διάρκειας και τα κουμπιά **+** / **-** για να ρυθμίσετε τη διάρκεια του μαγειρέματος.
- ▶ Ηχεί ένα ηχητικό σήμα προειδοποίησης στη λήξη χρόνου μαγειρέματος και αφού ο φούρνος σβήνει.
- ▶ Γυρίστε τα κουμπιά του θερμοστάτη και του επιλογέα στο 0 και πατήστε το κουμπί χειροκίνητης λειτουργίας.

Ρύθμιση μόνο της λήξης χρόνου μαγειρέματος σε ημιαυτόματη λειτουργία

- ▶ Για να ρυθμίσετε τη λήξη χρόνου μαγειρέματος, πατήστε το κουμπί λήξης χρόνου μαγειρέματος  και τα κουμπιά **+** / **-** για να ρυθμίσετε την ώρα που θέλετε να σβήσει ο φούρνος.
- ▶ Ηχεί ένα ηχητικό σήμα προειδοποίησης όταν το ρολόι φτάσει στην καθορισμένη ώρα και ο φούρνος απενεργοποιείται.
- ▶ Γυρίστε τα κουμπιά του θερμοστάτη και του επιλογέα στο 0 και πατήστε το κουμπί χειροκίνητης λειτουργίας.

Πλήρως αυτόματη λειτουργία

- ▶ Για να ρυθμίσετε τη λήξη χρόνου μαγειρέματος, πατήστε το κουμπί διάρκειας  και τα κουμπιά **+** / **-** για να ρυθμίσετε τη διάρκεια μαγειρέματος.
- ▶ Πατήστε το κουμπί λήξης χρόνου μαγειρέματος  και τα κουμπιά **+** / **-** για να ρυθμίσετε την ώρα που θέλετε να σβήσει ο φούρνος.
- ▶ Όταν ολοκληρώσετε τη ρύθμιση των χρόνων αυτών, η ένδειξη AUTO αναβοσβήνει και ηχεί το ηχητικό σήμα προειδοποίησης.
- ▶ Πατήστε οποιοδήποτε κουμπί για να σταματήσει να ηχεί.


Χρονοδιακόπτης ηχητικής προειδοποίησης

- ▶ Πατήστε το κουμπί του χρονοδιακόπτη ηχητικής προειδοποίησης και τα κουμπιά **+** / **-** για να ρυθμίσετε την απαιτούμενη διάρκεια μαγειρέματος.
- ▶ Το ηχητικό σήμα προειδοποίησης ηχεί όταν λήξει ο χρόνος μαγειρέματος.
- ▶ Πατήστε οποιοδήποτε κουμπί για να σταματήσει να ηχεί.

Σφάλματα προγραμματισμού

- ▶ Δεν μπορείτε να προγραμματίσετε μια περίοδο μαγειρέματος που ξεκινά νωρίτερα από την ώρα που αναγράφεται στο ρολόι.
- ▶ Εάν προσπαθήσετε να κάνετε κάτι τέτοιο, ηχεί το ηχητικό σήμα προειδοποίησης και αναβοσβήνει η ένδειξη AUTO.
- ▶ Αλλάξτε απλώς τη διάρκεια ή τον χρόνο μαγειρέματος για να διορθώσετε το σφάλμα.

Ακύρωση προγράμματος μαγειρέματος

- ▶ Για να ακυρώσετε ένα πρόγραμμα μαγειρέματος, πατήστε απλώς το κουμπί χειροκίνητης λειτουργίας .

Λειτουργίες πίνακα ελέγχου

Σύμβολα λειτουργιών στον επιλογέα



Λυχνία φούρνου

Παραμένει αναμμένη όση ώρα χρησιμοποιείται ο φούρνος.



Άνω και κάτω θερμαντικά στοιχεία

Ρύθμιση θερμοστάτη από 50 °C έως το MAX.



Άνω και κάτω θερμαντικά στοιχεία με ανεμιστήρα

Ρύθμιση θερμοστάτη από 50 °C έως το MAX.



Κυκλικό θερμαντικό στοιχείο με ανεμιστήρα

Ρύθμιση θερμοστάτη από 50 °C έως το MAX.



Κάτω θερμαντικό στοιχείο με ανεμιστήρα

Ρύθμιση θερμοστάτη από 50 °C έως το MAX.



Διπλό άνω θερμαντικό στοιχείο με ανεμιστήρα (γκριλ μεγάλης επιφάνειας)

Ρύθμιση θερμοστάτη από 50 °C έως 200 °C.



Άνω θερμαντικό στοιχείο (μικρό, χαμηλής ισχύος γκριλ)

Ρύθμιση θερμοστάτη από 50 °C έως 200 °C.



Η λειτουργία αυτή έχει σχεδιαστεί για εξοικονόμηση ενέργειας.

Ενδείκνυται για κατεψυγμένα ή προμαγειρεμένα φαγητά και γεύματα μικρών μερίδων. Ο χρόνος προθέρμανσης είναι πολύ μικρός και το μαγείρεμα τείνει να είναι πιο αργό. Δεν συνιστάται για βαριά φορτία π.χ. μεγάλες μερίδες ή προετοιμασία ενός πλούσιου γεύματος.

ΛΕΙΤΟΥΡΓΙΑ

Λειτουργίες φούρνου

Συμβατικό μαγείρεμα



Στο συμβατικό μαγείρεμα, χρησιμοποιείται θερμότητα που εκπέμπεται από την πάνω και την κάτω αντίσταση για το μαγείρεμα ενός μόνο πιάτου. Τοποθετήστε το φαγητό στον φούρνο μόνο αφότου επιτευχθεί η θερμοκρασία μαγειρέματος, δηλ. όταν η ενδεικτική λυχνία θέρμανσης σβήσει. Εάν θέλετε να αυξήσετε τη θερμοκρασία της επάνω και κάτω αντίστασης προς το τέλος του μαγειρέματος, ρυθμίστε τον ρυθμιστή θερμοκρασίας στη σωστή θέση. Συνιστάται να ανοίγετε την πόρτα του φούρνου όσο το δυνατόν λιγότερο στη διάρκεια του μαγειρέματος.

Απόψυξη

Επιλέγοντας μία από τις λειτουργίες μαγειρέματος με ανεμιστήρα και ρυθμίζοντας τον θερμοστάτη στο μηδέν, ο ανεμιστήρας επιτρέπει την κυκλοφορία ψυχρού αέρα στο εσωτερικό του φούρνου. Με αυτό τον τρόπο τα κατεψυγμένα φαγητά μπορούν να αποψυχθούν γρήγορα.



Μαγείρεμα με ανεμιστήρα



Για αυτό τον τύπο μαγειρέματος, ένας ανεμιστήρας τοποθετημένος στο πίσω μέρος επιτρέπει την κυκλοφορία θερμού αέρα στο εσωτερικό του φούρνου, παρέχοντας ομοιόμορφη θερμότητα. Με αυτό τον τρόπο, το μαγείρεμα είναι πιο γρήγορο συγκριτικά με το συμβατικό μαγείρεμα. Αυτός ο τρόπος μαγειρέματος ενδείκνυται για το μαγείρεμα πιάτων σε περισσότερα από ένα ράφια, ειδικά όταν πρόκειται για διαφορετικές κατηγορίες τροφίμων (ψάρι, κρέας κ.λπ.)

Μαγείρεμα στο γκριλ



Χρησιμοποιήστε το γκριλ για να ψήσετε ή να ροδίσετε τρόφιμα. Ορισμένοι φούρνοι ενδέχεται να είναι εξοπλισμένοι με ηλεκτρικό κινητήρα (μοτέρ), σουβλα και μεταλλικές βέργες για να γυρίζουν στη σουβλα. Τοποθετήστε το ράφι με το φαγητό που θέλετε να μαγειρέψετε στην 1η ή τη 2η θέση από πάνω. Προθερμάνετε τον φούρνο για 5 λεπτά. Ρυθμίστε τον θερμοστάτη σε θερμοκρασία μεταξύ 50 °C και 200 °C.

Ανεμιστήρας ψύξης

- ▶ Ο ανεμιστήρας είναι τοποθετημένος στο επάνω μέρος του φούρνου και δημιουργεί έναν κύκλο αέρα ψύξης στο εσωτερικό του φούρνου και μέσα από την πόρτα του.
- ▶ Ενεργοποιείται όταν η θερμοκρασία του εξωτερικού καλύμματος του φούρνου φτάσει τους 60 °C.
- ▶ Όταν ανάψετε τον φούρνο και ο θερμοστάτης βρίσκεται στους 200 °C, ο ανεμιστήρας αρχίζει να λειτουργεί μετά από περίπου 10 λεπτά.

Σβήνει όταν η θερμοκρασία του εξωτερικού καλύμματος του φούρνου πέσει κάτω από τους 60 °C.

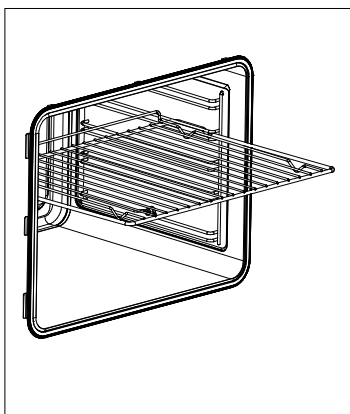
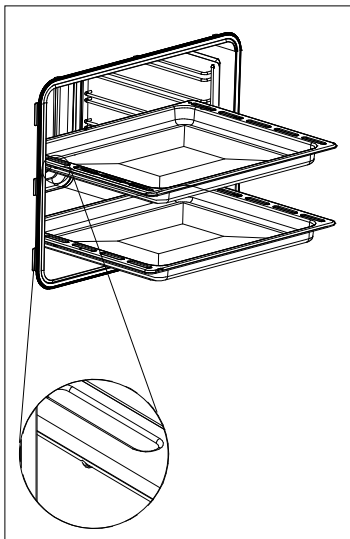
- ▶ Όταν σβήσετε τον φούρνο και ο θερμοστάτης βρίσκεται στους 200 °C, ο ανεμιστήρας σταματά να λειτουργεί μετά από περίπου 30 λεπτά.

ΣΗΜΑΝΤΙΚΟ: Δεν είναι απαραίτητο να προθερμάνετε τον φούρνο, αλλά ενδείκνυται να το κάνετε, όταν ψήνετε γλυκά.

Τοποθέτηση σχαρών

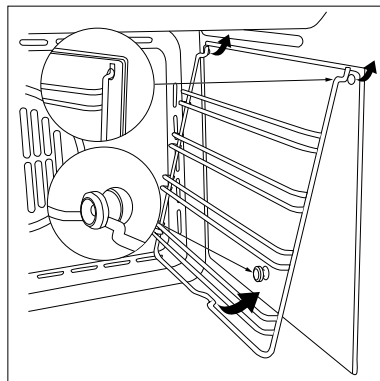
Ανατρέξτε στα παρακάτω σχήματα για τη σωστή τοποθέτηση των σχαρών:

Αφαιρούμενοι οδηγοί



Όταν χρησιμοποιείτε τον φούρνο για πρώτη φορά

- ▶ Καθαρίστε προσεκτικά τον φούρνο με νερό και σαπούνι και ξεπλύνετε καλά.
- ▶ Για να αφαιρέσετε τα πλαϊνά πλαίσια από φούρνους με μαλακά τοιχώματα, ακολουθήστε τα βήματα όπως φαίνονται στην εικόνα.

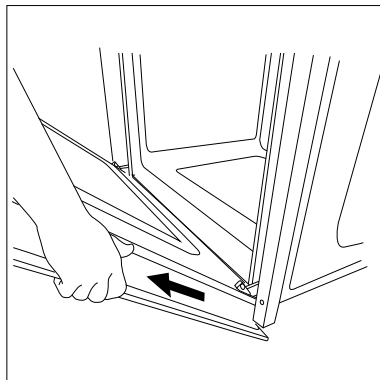
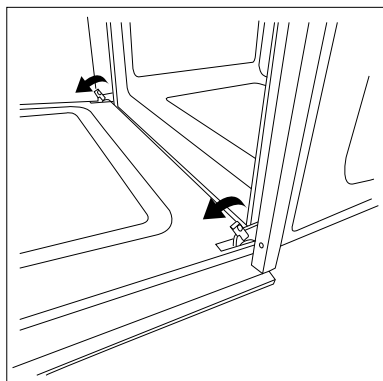


- ▶ Θέστε τον φούρνο σε λειτουργία για περίπου 30 λεπτά στη μέγιστη θερμοκρασία ώστε να λιώσουν όλα τα ίχνη λίπους, τα οποία ειδάλλως ενδέχεται να προκαλέσουν δυσάρεστες οσμές κατά το μαγείρεμα.

Αφαίρεση της πόρτας του φούρνου

Η πόρτα του φούρνου μπορεί να αφαιρεθεί γρήγορα και εύκολα. Για να την αφαιρέσετε, ακολουθήστε τα παρακάτω βήματα:

- ▶ Ανοίξτε πλήρως την πόρτα.
- ▶ Ανασηκώστε τους δύο μοχλούς, όπως φαίνεται στο σχήμα.
- ▶ Κλείστε την πόρτα μέχρι το πρώτο στοπ (που οφείλετε στους ανυψωμένους μοχλούς).
- ▶ Ανυψώστε την πόρτα προς τα επάνω και προς τα έξω για να την αφαιρέσετε από τους μεντεσέδες συγκράτησης.



- ▶ Για να αντικαταστήσετε την πόρτα, τοποθετήστε τους μεντεσέδες στις υποδοχές τους και χαμηλώστε τους δύο μοχλούς.

ΚΑΘΑΡΙΣΜΟΣ ΚΑΙ ΣΥΝΤΗΡΗΣΗ

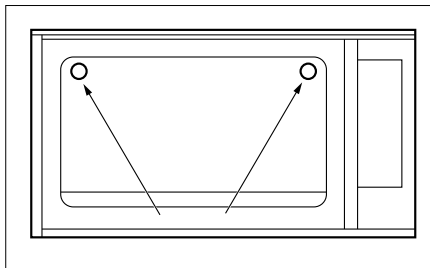
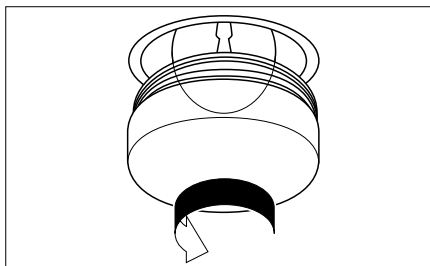
Αντικατάσταση της λάμπας του φούρνου

Σημαντικό: Ο λαμπτήρας του φούρνου πρέπει να έχει τα εξής συγκεκριμένα χαρακτηριστικά:

- Πρέπει να είναι ανθεκτικός σε υψηλές θερμοκρασίες (έως και 300 °C)
- Τροφοδοσία ρεύματος: βλέπε V/Hz που αναγράφονται στην πινακίδα με τα στοιχεία
- Ισχύς: 25 W
- Σύνδεση E14

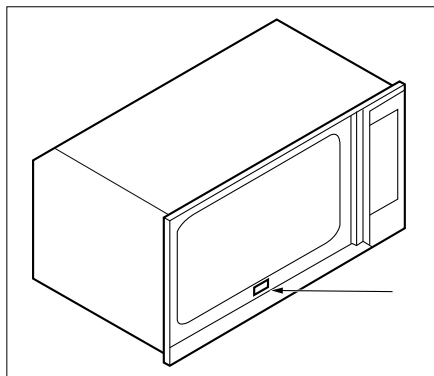
ΠΡΟΕΙΔΟΠΟΙΗΣΗ: Πριν συνεχίσετε, αποσυνδέστε τη συσκευή από την κύρια παροχή ηλεκτρικού ρεύματος.

- ▶ Για να αποφύγετε την πρόκληση τυχόν βλάβης, τοποθετήστε ένα πανί στον φούρνο.
- ▶ Ξεβιδώστε το γυάλινο κάλυμμα του λαμπτήρα.
- ▶ Ξεβιδώστε την παλιά λάμπα και αντικαταστήστε τη με τη νέα.
- ▶ Επανατοποθετήστε το γυάλινο κάλυμμα και αφαιρέστε το πανί.
- ▶ Συνδέστε τη συσκευή στην κύρια παροχή ηλεκτρικού ρεύματος.



Σημαντικό: Η πινακίδα στοιχείων του φούρνου πρέπει να είναι προσβάσιμη ακόμη και όταν ολοκληρωθεί η εγκατάσταση του φούρνου.

Η πλάκα είναι ορατή απλώς με το άνοιγμα της πόρτας. Συνιστάται να καταγράφεται πάντα τις λεπτομέρειες της πινακίδας στοιχείων για να ταυτοποιείται η συσκευή κατά την παραγγελία ανταλλακτικών.



ΥΠΟΣΤΗΡΙΞΗ

Ανταλλακτικά

- ▷ Κατά τις εργασίες συντήρησης της συσκευής πρέπει να χρησιμοποιούνται μόνο εγκεκριμένα εξαρτήματα.
- ▷ Μην επισκευάζετε ή αντικαθιστάτε κανένα εξάρτημα του φούρνου που δεν συνιστάται από το παρόν εγχειρίδιο.
- ▷ Όλες οι εργασίες και οι επισκευές πρέπει να εκτελούνται από εξουσιοδοτημένο τεχνικό προσωπικό.

Μπορείτε να ζητήσετε την αντικατάσταση εξαρτημάτων παρέχοντας τα ακόλουθα στοιχεία:

- Κωδικό μοντέλου φούρνου (MOD) και αριθμό σειράς (S.N.), οι οποίοι αναγράφονται στην ετικέτα προϊόντος που βρίσκεται στο κάτω μπροστινό μέρος της πρόσοψης του φούρνου.
- Περιγραφή και αριθμό του ανταλλακτικού. Οι τεχνικές αυτές πληροφορίες διατίθενται μόνο σε εξουσιοδοτημένα κέντρα τεχνικής εξυπηρέτησης.
- Τέλος, παράσχετε λεπτομέρειες για τον διανομέα που πώλησε τον φούρνο και τα στοιχεία του πλησιέστερου κέντρου τεχνικής εξυπηρέτησης.

Τεχνική υποστήριξη

Σε περίπτωση που ο φούρνος σας απαιτεί τεχνική υποστήριξη ή/και ανταλλακτικά, επικοινωνήστε με τον πλησιέστερο εξουσιοδοτημένο αντιπρόσωπο ή το κέντρο τεχνικής εξυπηρέτησης.

Και πάλι στην περίπτωση αυτή, πρέπει να παράσχετε τα πλήρη στοιχεία για τη συσκευή, όπως υποδεικνύεται στην ετικέτα προϊόντος από αλουμίνιο, δηλαδή:

- το μοντέλο (MOD)
- τον αριθμό σειράς (S.N.) κ.λπ. (η ετικέτα βρίσκεται στο κάτω μέρος της πρόσοψης του φούρνου).

ΑΠΟΡΡΙΨΗ

Πληροφορίες για τους χρήστες



Το σύμβολο στο προϊόν ή τη συσκευασία υποδεικνύει ότι η συσκευή δεν πρέπει να απορρίπτεται στα οικιακά απορρίματα.

Με τη σωστή απόρριψη της συσκευής συμβάλλετε στην αποφυγή επικίνδυνων επιπτώσεων στο περιβάλλον και την υγεία.

Περισσότερες πληροφορίες σχετικά με την ανακύκλωση της συσκευής διατίθενται από την αρμόδια αρχή, την τοπική υπηρεσία διαχείρισης απορριμμάτων ή τον προμηθευτή της συσκευής.

Απορρίψτε τη συσκευή, η οποία πρέπει να απορριφθεί, σε ειδικό σημείο συλλογής απορριμμάτων για ηλεκτρονικές και ηλεκτρικές συσκευές.

Σε συμμόρφωση με την Οδηγία 2012/19/ΕΕ σχετικά με τη μείωση των επικίνδυνων ουσιών που χρησιμοποιούνται σε ηλεκτρικό και ηλεκτρονικό εξοπλισμό, και την απόρριψη αποβλήτων.

Το σύμβολο διαγραμμένου κάδου απορριμμάτων με ρόδες στη συσκευή υποδεικνύει ότι στο τέλος της διάρκειας ζωής του το προϊόν δεν πρέπει να απορριφθεί ως οικιακό απόβλητο.

Συνεπώς, όταν η συσκευή φθάσει στο τέλος της διάρκειας ζωής της, ο χρήστης οφείλει να τη μεταφέρει σε κέντρο ανακύκλωσης κατάλληλο για ηλεκτρονικά και ηλεκτροτεχνικά απόβλητα, ή να την επιστρέψει στον προμηθευτή όταν αγοράσει μια παρόμοια νέα συσκευή.

Η ενδεδειγμένη χωριστή συλλογή άχρηστων συσκευών για επακόλουθη ανακύκλωση, επεξεργασία και φιλική προς το περιβάλλον απόρριψη συμβάλλει στην αποφυγή ενός δυνητικά αρνητικού αντίκτυπου στο περιβάλλον και την υγεία, ενώ διευκολύνει την ανακύκλωση υλικών που χρησιμοποιούνται στην κατασκευή συσκευών.

Πληροφορίες για ινστιτούτα δοκιμών

Για να υπολογίσετε τον όγκο, αφαιρέστε τα εσωτερικά πλευρικά συρμάτινα κανάλια, εάν υπάρχουν (σύμφωνα με τα πρότυπα 2009/60350-50304/EN).

CUPRINS

Informații privind manualul	97	Operare	105
Utilizarea prevăzută	98	Funcțiile cuptorului	105
Informații privind siguranța	98	Utilizarea pentru prima dată a cuptorului	106
Instalare	101	Demontarea ușii cuptorului	106
Privire de ansamblu	103	Curățare și întreținere	107
Funcțiile panoului de comandă	104	Asistență	108
		Evacuare ca deșeu	109

INFORMAȚII PRIVIND MANUALUL

Stimate client,

Vă mulțumim și vă felicităm pentru alegerea făcută. Acest produs nou, proiectat cu atenție, fabricat din materiale de calitate superioară, a fost testat cu minuțiozitate pentru a îndeplini toate cerințele dumneavoastră referitor la procesul de preparare. Prin urmare, vă rugăm să citiți și să urmați aceste instrucțiuni ușor de înțeles, care vă vor permite să obțineți rezultate excelente încă de la început.

Acest manual de utilizare se aplică mai multor modele. Prin urmare, este posibil ca unele dintre dotările și funcțiile descrise să nu fie disponibile pentru modelul dumneavoastră.

- ▶ Înainte de a utiliza aparatul, citiți cu atenție manualul de utilizare.
- ▶ Păstrați manualul de utilizare.
- ▶ Folosiți aparatul descris în manual numai în concordanță cu scopul pentru care a fost creat.

Franke își rezervă dreptul de a efectua modificări la produs fără o notificare prealabilă. Toate informațiile sunt corecte la momentul editării.

Simbol Semnificație



Simbol de avertizare. Avertizare împotriva riscurilor de accidentare.



Acțiuni de siguranță și note de avertizare pentru evitarea producerii accidentelor sau pagubelor.



Acțiune specifică. Descrie acțiunea ce trebuie efectuată.



Rezultat. Rezultatul obținut în urma uneia sau mai multor acțiuni.

UTILIZAREA PREVĂZUTĂ

Cuptorul a fost dezvoltat exclusiv pentru uz casnic, non-profesional. Este un aparat foarte versatil care permite selectarea sigură

și ușoară a diferitelor metode de preparare termică a alimentelor.

INFORMAȚII PRIVIND SIGURANȚA

▷ Înainte de a utiliza cuptorul, citiți cu atenție manualul de utilizare și instrucțiunile de siguranță.

▷ Păstrați manualul pentru o consultare ulterioară.

Producătorul nu poate fi făcut răspunzător pentru posibilele defecțiuni cauzate de erori în procesul de instalare și de utilizare a aparatului în mod incorect, necorespunzător sau nerațional.

Siguranța electrică a cuptorului poate fi garantată numai în cazul în care acesta este conectat la un sistem electric cu împământare, în conformitate cu reglementările în vigoare. Pentru a asigura operarea eficientă și în siguranță a acestui aparat electric:

▷ Contactați numai centrele de service autorizate.

▷ Nu modificați niciuna dintre dotările acestui aparat.

▷ Acest aparat poate fi utilizat de copii cu vârsta mai mare de 8 ani și de persoane cu capacități fizice, senzoriale sau mentale reduse sau cu lipsă de experiență și de cunoștințe, dacă se asigură

supravegherea acestora sau li se dau instrucțiuni referitoare la utilizarea în siguranță a aparatului și dacă înțeleg pericolele aferente.

Copiii nu trebuie să se joace cu aparatul. Curățarea și întreținerea de către utilizator nu se vor efectua de către copii, fără supraveghere.

▷ Nu este permis copiilor sub 8 ani să utilizeze sau curețe aparatul nici sub supraveghere.

▷ Copiii trebuie supravegheați pentru a asigura că nu se joacă cu aparatul.

▷ Acest aparat nu este o jucărie.

▷ Nu lăsați copiii nesupravegheați în apropierea aparatului.

▷ Nu lăsați copiii să se joace cu acest aparat.

▷ Nu lăsați copiii să atingă aparatul sau panoul de comandă al acestuia pe durata utilizării sau imediat după.

▷ Asigurați-vă că aparatul este astfel montat, încât permite deconectarea de la sursa de

curent electric, între contacte fiind o distanță care asigură decuplarea completă în condiții de supratensiune categoria III. Modalitățile de deconectare trebuie să fie încorporate în cablajul fix în conformitate cu regulile de cablare.

- ▷ Utilizați numai sonda de temperatură recomandată pentru acest cuptor.
- ▷ Aparatul nu trebuie instalat în spatele unei uși decorative, pentru a evita supraîncălzirea.



Pericol de arsuri!

- ▷ În timpul utilizării aparatul devine fierbinte. Trebuie acordat atenție să se evite atingerea elementelor de încălzire din interiorul cuptorului. Nu trebuie să se permită accesul copiilor mai mici de 8 ani la aparat, cu excepția cazului în care sunt supravegheați în mod constant.



Pericol de arsuri!

Capătul mânerului ușii poate fi mai fierbinte din cauza ventilării aerului fierbinte.

- ▷ Asigurați-vă întotdeauna că, atunci când cuptorul nu este utilizat, butoanele de comandă sunt în poziția oprit.

AVERTISMENT: Asigurați-vă că aparatul este deconectat înainte de a înlocui lampa pentru a evita posibilitatea unei electrocutări.

- ▷ Nu utilizați agenți de curățare abrazivi sau raclete metalice ascuțite pentru a curăța geamul cuptorului/ geamul capacelor cu balamale ale plitei (în mod adecvat), deoarece pot zgâria suprafața, ceea ce poate avea drept consecință opacizarea sticlei.
- ▷ Nu utilizați aparate de curățare cu aburi sau cu jeturi directe de apă.
- ▷ În cazul în care cablul de alimentare este deteriorat, acesta trebuie înlocuit de către producător, tehnicianul său de service, sau persoane calificate similar, pentru a preveni producerea oricărui accident.

ATENȚIE: pentru a evita orice pericol cauzat de resetarea accidentală a siguranței termice, acest aparat nu trebuie alimentat prin intermediul unui dispozitiv de comutare extern, cum ar fi un temporizator, și nici nu trebuie conectat la un circuit care este pornit și întrerupt cu regularitate de un serviciu public.

Produsul conține o sursă de iluminare care face parte din clasa de eficiență energetică „G”.

Instalare și amplasare corespunzătoare

- ▷ Nu lăsați copiii să se apropie de aparat și de ambalajul acestuia.
- Dacă acest cuptor rămâne permanent conectat la sursa de curent electric:
- ▷ Asigurați-vă ca aparatul este montat numai de service-ul pentru clienți, un electrician sau de către personal instruit care deține cunoștințele/studiile necesare.
 - ▷ Asigurați-vă că aparatul este conectat direct la priză. Asigurați-vă că la conectarea aparatului nu au fost utilizate adaptoare, prize multiple sau prelungitoare.
 - ▷ Asigurați-vă că dispozitivul nu este expus agenților atmosferici (ploaie, soare).



Pericol de moarte!

- ▷ Nu lăsați animalele de companie să se apropie de aparat.
- ▷ Ambalajele, precum folia de plastic și polistiren, pot fi periculoase pentru copii.
- ▷ Nu lăsați ambalajul la îndemâna copiilor.

Utilizarea corespunzătoare

- ▷ Utilizați aparatul numai pentru pregătirea și prepararea termică alimentelor.
- ▷ Utilizați mănuși termorezistente atunci când introduceți sau scoateți recipiente din cuptor.
- ▷ Atunci când utilizați cuptorul, verificați funcțiile dispozitivului de gătit utilizate în timpul funcționării acestuia.
- ▷ Nu puneți cabluri de alimentare sau alte aparate electrice pe componentele fierbinți ale cuptorului.
- ▷ Nu utilizați lichide inflamabile în apropierea cuptorului.



Pericol de supra-încălzire sau de avariere a cuptorului din cauza ventilării blocate!

- ▷ Nu acoperiți niciodată pereții interiori ai cuptorului cu folie de aluminiu.
- ▷ Nu blocați funcționarea ventilatorului sau a deschiderilor de răcire situate deasupra ușii cuptorului.



Pericol de arsuri!

- ▷ Când deschideți sau închideți ușa, prindeți mânerul acesteia de partea din mijloc.



Pericol de electrocutare din cauza aparatului defect!

- ▷ Nu puneți în funcțiune un aparat deteriorat.
- ▷ Deconectați siguranța din cutia de siguranțe.
- ▷ Contactați serviciul asistență clienți.



Pericol de electrocutare!

- ▷ Nu atingeți aparatul cu părți ude ale corpului dumneavoastră.
- ▷ Nu utilizați aparatul atunci când sunteți desculț.
- ▷ Nu trageți dispozitivul sau cablul de alimentare pentru a-l deconecta de la priză.

Întreținere și curățare

Înainte de întreținere sau curățare:

- ▷ Deconectați dispozitivul de la sursa de alimentare, de ex. întrerupeți siguranța din cutia de siguranțe.



Pericol de electrocutare din cauza pătrunderii de lichide!

Aparatul conține componente electrice.

- ▷ Asigurați-vă că niciun lichid nu se scurge în interiorul aparatului.
- ▷ Nu utilizați abur sub presiune pentru a curăța aparatul.
- ▷ Nu utilizați o cârpă umedă pentru a curăța elementele de operare.

Reparații

- ▷ Nu permiteți nimănui, cu excepția personalului calificat, să efectueze operațiuni de montare sau de reparare a aparatului.

- ▷ Contactați un centru de service autorizat de către producător sau personal calificat în următoarele cazuri:
 - Imediat după despachetare, în cazul în care există îndoieli cu privire la integritatea aparatului
 - Pe durata instalării (în conformitate cu instrucțiunile producătorului)
 - Îndoieli cu privire la utilizarea corectă a aparatului
 - Defecțiuni sau utilizare necorespunzătoare
 - Pentru înlocuirea prizei de alimentare, dacă aceasta este incompatibilă cu ștecherul de alimentare a aparatului

Scoaterea din funcțiune

În cazul în care cuptorul nu va mai fi utilizat, contactați centrul de service sau personalul calificat pentru a-l deconecta de la sursa de alimentare.

Informații privind economisirea energiei

Dacă este posibil, evitați preîncălzirea cuptorului și încercați întotdeauna să introduceți alimentele direct. Deschideți ușa cuptorului cât mai frecvent posibil, deoarece, cu fiecare deschidere, este eliberată căldura din cuptor. Pentru economisirea semnificativă a energiei electrice, opriți cuptorul cu între 5 și 10 minute înainte de finalizarea planificată a duratei de preparare, și utilizați căldura reziduală pe care cuptorul continuă să o genereze. Mențineți garniturile curate și îngrijite, pentru a evita disiparea căldurii în afara cavității cuptorului. Dacă ați încheiat un contract de furnizare a energiei electrice cu tarif orar, programul "de preparare întârziată" simplifică procesul de economisire a energiei, decalând procesul de preparare pentru a începe în intervalul orar cu tarif redus.

INSTALARE

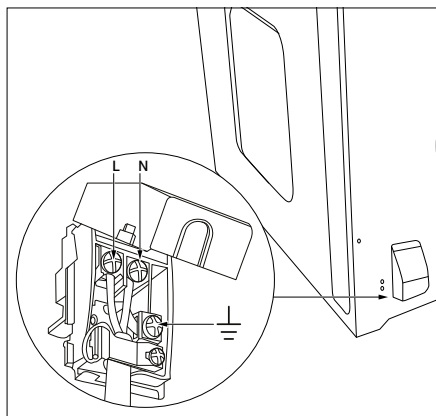
Încastrarea

- ▶ Cuptorul poate fi montat sub un blat sau într-un dulap tip colană. Figura indică dimensiunile de instalare.
- ▶ Asigurați-vă că materialele din jur sunt termorezistente.
- ▶ Aliniați cuptorul central în raport cu pereții laterali ai corpurilor de mobilier din jur și fixați-l în poziție folosind șuruburile și șuruburile cu locaș hexagonal furnizate.

Conexiuni electrice

- ▷ Înainte de conectarea cuptorului la rețeaua de alimentare cu energie electrică, asigurați-vă că:
 - ▶ Tensiunea de alimentare corespunde cu specificațiile de pe plăcuța de date de pe placa frontală a cuptorului.
 - ▶ Rețeaua de alimentare prezintă conexiune cu împământare eficientă, care respectă toate legile și reglementările aplicabile. Împământarea corectă este o cerință legală.

- ▷ Cablul de alimentare nu trebuie să atingă niciodată o temperatură de 50 °C peste temperatura ambientală, oriunde pe lungimea sa.
- ▷ Dacă un aparat fixat nu este prevăzut cu un cablu de alimentare și un ștecher, sau cu un alt dispozitiv care permite deconectarea de la sursa de alimentare, existând un spațiu între contacte suficient pentru a garanta protecție la o supratensiune de clasa III, atunci un astfel de dispozitiv trebuie prevăzut la sursa de alimentare în conformitate cu reglementările referitoare la instalațiile electrice.
- ▷ Priza sau comutatorul trebuie să fie ușor accesibil(ă) atunci când cuptorul este instalat complet.



Tipuri de cabluri și diametre minime

H05RR-F 3x1,5 mm²

H05VV-F 3x1,5 mm²

H05RN-F 3x1,5 mm²

H05V2V2-F 3x1,5 mm²

SASO

H05RR-F 3x2,5 mm²

H05VV-F 3x2,5 mm²

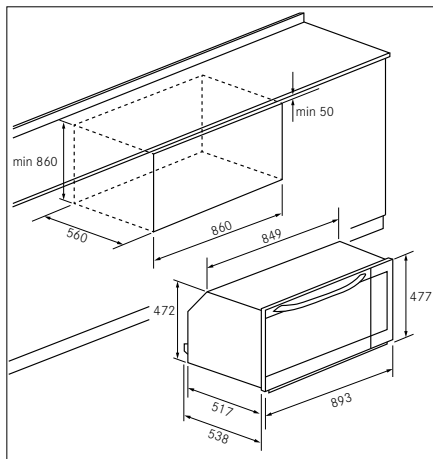
H05RN-F 3x2,5 mm²

H05V2V2-F 3x2,5 mm²

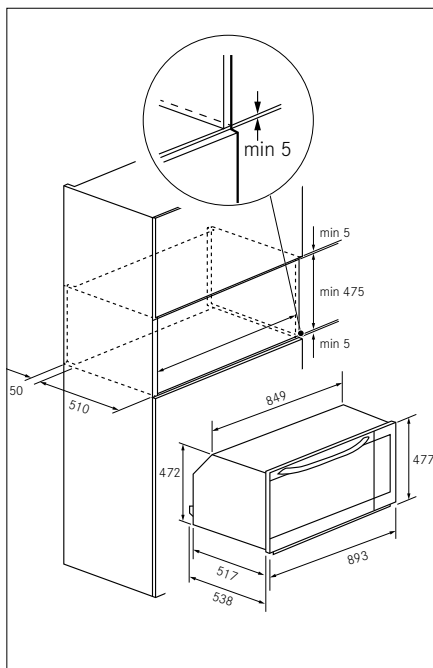
AVERTISMENT: Producătorul nu își asumă răspunderea pentru deteriorări sau vătămări dacă instrucțiunile de mai sus și măsurile obișnuite de siguranță nu sunt respectate.

Montarea cuptorului în dulap

Tip încastat sub blat



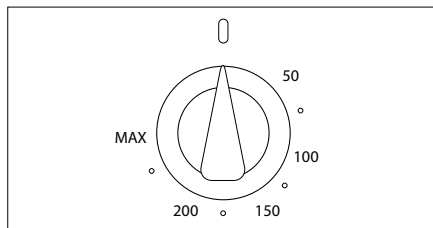
Tip încastat vertical



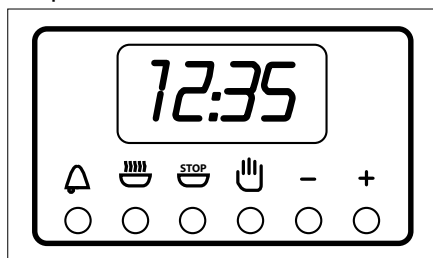
PRIVIRE DE ANSAMBLU

Termostat

- ▶ Utilizați termostatul pentru a seta temperatura de preparare necesară. Termostatul poate fi reglat între 50° și 250 °C.



Temporizator electronic cu 6 taste



Setarea ceasului

- ▶ Apăsați simultan pe tasta aferentă duratei și pe tasta pentru ora de finalizare a preparării , apoi apăsați tastele **+** / **-** pentru a seta ora.

Utilizarea manuală a cuptorului

- ▶ Pentru a începe prepararea fără a seta ora de finalizare a preparării, apăsați tasta modulului manual .

Setarea exclusiv a duratei de preparare în modul semi-automat

- ▶ Pentru a seta durata de preparare, apăsați pe tasta aferentă duratei și apăsați tastele **+** / **-** pentru a seta durata de preparare.
- ▶ Un avertizor sonor este declanșat atunci când se încheie perioada de preparare și cuptorul se oprește singur.

- ▶ Rotiți butonul termostatalui și selectorul înapoi în poziția 0, și apăsați tasta modulului manual.

Setarea exclusivă a orei de finalizate a preparării în modul semi-automat

- ▶ Pentru a seta ora de finalizare a preparării, apăsați pe tasta pentru ora de finalizare a preparării și apăsați tastele **+** / **-** pentru a seta ora la care doriți să se oprească cuptorul.
- ▶ Un avertizor sonor este declanșat atunci când ceasul ajunge la ora setată și cuptorul se oprește singur.
- ▶ Rotiți butonul termostatalui și selectorul înapoi în poziția 0, și apăsați tasta modulului manual.

Funcționarea în modul complet automat

- ▶ Pentru a seta ora de finalizare a preparării, apăsați pe tasta aferentă duratei și apăsați tastele **+** / **-** pentru a seta durata de preparare.
- ▶ Apăsați pe tasta aferentă orei de finalizare a preparării și apăsați tastele **+** / **-** pentru a seta ora la care doriți să se oprească cuptorul.
- ▶ Atunci când terminați de setat aceste ore, simbolul AUTO începe să clipească și este declanșat avertizorul sonor.
- ▶ Apăsați orice tastă pentru dezactivare.


Temporizatorul alarmei

- ▶ Apăsați pe tasta temporizatorului alarmei și apăsați tastele **+** / **-** pentru a seta durata de preparare necesară.
- ▶ Avertizorul sonor este declanșat atunci când durata de preparare se încheie.
- ▶ Apăsați orice tastă pentru dezactivare.

Erori de programare

- ▶ Nu puteți programa o perioadă de preparare care începe înaintea orei afișate de ceas.
- ▶ Dacă încercați o astfel de setare, este declanșat avertizorul sonor și simbolul AUTO începe să clipească.
- ▶ Pur și simplu modificați durata sau ora de preparare pentru a remedia eroarea.

Anularea unui program de preparare

- ▶ Pentru a anula un program de preparare, pur și simplu apăsați tasta modului manual .

Funcțiile panoului de comandă

Simbolurile funcțiilor de pe selector



Lumina cuptorului

Rămâne aprinsă în timp ce cuptorul este în uz.



Rezistențe superioare și inferioare

Setarea termostatului de la 50 °C la MAX.



Rezistențe superioare și inferioare cu ventilator

Setarea termostatului de la 50 °C la MAX.



Rezistență circulară cu ventilator

Setarea termostatului de la 50 °C la MAX.



Rezistență inferioară cu ventilator

Setarea termostatului de la 50 °C la MAX.



Rezistență superioară dublă cu ventilator (grill cu suprafață mare)

Setarea termostatului de la 50 °C la 200 °C.



Rezistență superioară (grill mic, de putere redusă)

Setarea termostatului de la 50 °C la 200 °C.



Acest mod este destinat economisirii energiei electrice.

Ideal pentru alimente congelate sau semi-preparate, și porții mici de alimente.

Durata de preîncălzire este foarte scurtă și procesul se desfășoară mai lent.

Nu se recomandă în cazul cantităților mari, de exemplu, porții mari de alimente sau prepararea unui fel de mâncare voluminos.

OPERARE

Funcțiile cuptorului

Preparare convențională



Prepararea convențională utilizează căldura din partea superioară și din partea inferioară pentru a găti un singur preparat. Introduceți alimentele în cuptor numai odată ce temperatura de preparare a fost atinsă, adică atunci când indicatorul de încălzire se stinge. Dacă doriți să măriți temperatura din partea superioară sau inferioară spre finalul ciclului de preparare, setați comanda temperaturii în poziția corespunzătoare. Se recomandă să deschideți ușa cuptorului cât mai puțin posibil în timpul procesului de preparare.

Dezghetare

Prin selectarea uneia dintre funcțiile de preparare cu ventilator și setarea termostatului la zero, ventilatorul permite aerului rece să circule în interiorul cuptorului. Astfel alimentele congelate pot fi decongelate rapid.



Preparare termică cu ventilator



Pentru acest tip de preparare, un ventilator amplasat în partea din spate permite circularea aerului cald în interiorul cuptorului, generând căldură în mod uniform.



Astfel procesul de preparare este mai rapid decât cel convențional. Este o metodă adecvată de preparare a alimentelor pe mai multe niveluri, în special atunci când este vorba de tipuri diferite de alimente (pește, carne etc.)



Preparare la grill



Utilizați grill-ul pentru a frige pe grill sau a rumeni alimentele. Anumite cuptoare pot fi dotate cu un motor electric, rotisor și frigărui pentru rotirea alimentelor gătite la rotisor. Așezați tava cu alimente care trebuie gătite în poziția 1 sau 2 din partea superioară. Preîncălziți cuptorul timp de 5 minute. Aduceți termostatul la o temperatură cuprinsă între 50 °C și 200 °C.



Ventilator de răcire

- ▶ Ventilatorul este poziționat în partea superioară a cuptorului și creează un circuit de aer rece care circulă în interiorul corpului de mobilier și prin ușa cuptorului.
- ▶ Acesta este activat atunci când temperatura carcasei exterioare a cuptorului atinge 60 °C.
- ▶ Prin pornirea cuptorului cu termostatul la 200 °C, ventilatorul începe să funcționeze după aprox. 10 min. Acesta este oprit atunci când temperatura carcasei exterioare a cuptorului scade sub 60 °C.

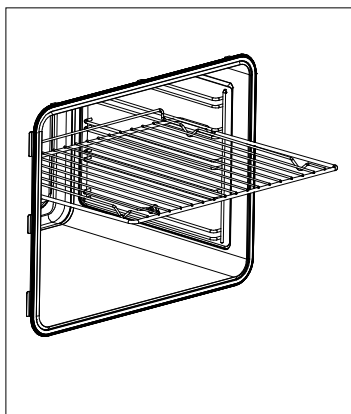
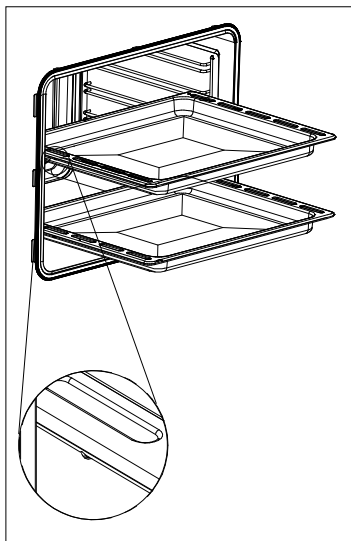
- ▶ Prin oprirea cuptorului cu termostatul la 200 °C, ventilatorul se oprește din funcțiune după aprox. 30 min.

IMPORTANT: Nu este esențial să preîncălziți cuptorul, însă se recomandă să faceți acest lucru atunci când gătiți produse de patiserie.

Amplasarea grill-urilor

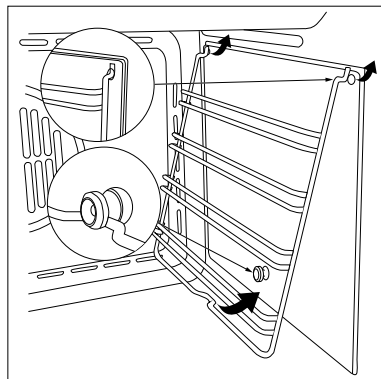
Consultați figurile de mai jos pentru amplasarea corectă a grill-urilor:

Glisiere demontabile



Utilizarea pentru prima dată a cuptorului

- ▶ Curățați bine cuptorul cu apă și săpun, apoi clătiți temeinic.
- ▶ Pentru a demonta cadrele laterale din cuptoarele cu pereți netezi, procedați după cum este prezentat în figură.

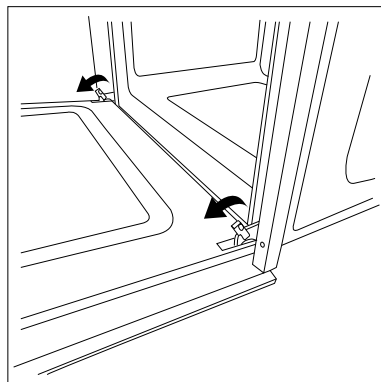


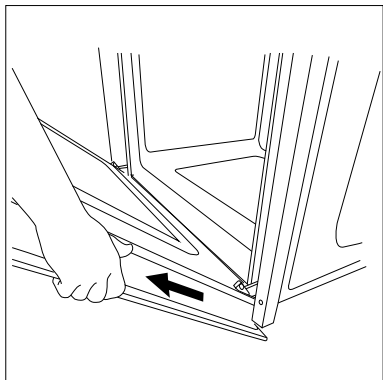
- ▶ Acționați cuptorul timp de aproximativ 30 de minute la temperatură maximă pentru a arde toate resturile de grăsimi care ar putea produce mirosuri neplăcute în timpul preparării.

Demontarea ușii cuptorului

Ușa cuptorului poate fi demontată rapid și ușor. În acest scop, procedați după cum urmează:

- ▶ Deschideți ușa complet.
- ▶ Ridicați cele două manete indicate în figură.
- ▶ Închideți ușa până la primul opritor (sesizat datorită manetelor ridicate).
- ▶ Ridicați ușa în sus și în afară pentru a o demonta din suporturile sale.





- ▶ Pentru a remonta ușa, introduceți balamalele în suporturi și coborâți cele două manete.

CURĂȚARE ȘI ÎNTREȚINERE

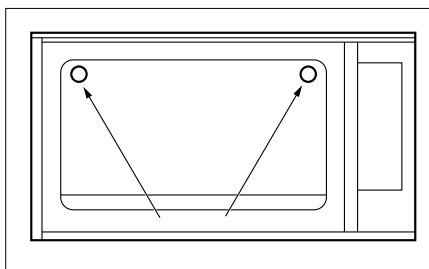
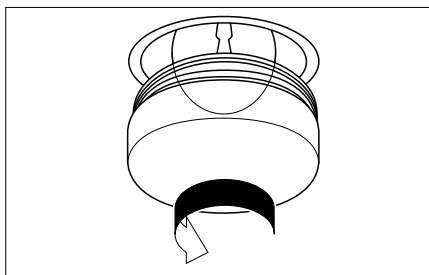
Înlocuirea lămpii cuptorului

IMPORTANT: Lampa cuptorului trebuie să prezinte aceste caracteristici exacte:

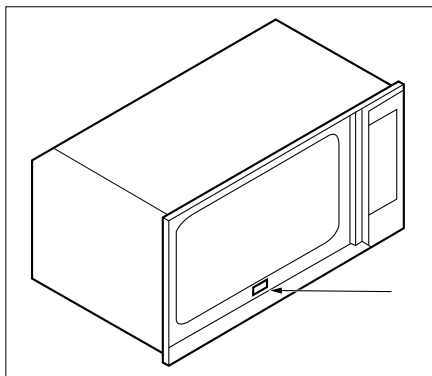
- Trebuie să fie rezistentă la temperaturi înalte (până la 300 °C)
- Alimentare cu energie electrică: consultați valorile V/Hz indicate pe plăcuța de date
- Putere: 25 W
- Dulie E14

AVERTISMENT: Înainte de a începe, deconectați aparatul de la rețeaua de alimentare cu energie electrică.

- ▶ Pentru a preveni deteriorarea, așezați un prosop de bucătărie în cuptor.
- ▶ Deșurubați capacul din sticlă al lămpii.
- ▶ Deșurubați becul vechi și înlocuiți-l cu cel nou.
- ▶ Montați la loc capacul din sticlă și îndepărtați prosopul de bucătărie.
- ▶ Conectați aparatul la rețeaua de alimentare cu energie electrică.



IMPORTANT: Plăcuța de date a cuptorului este accesibilă chiar și atunci când cuptorul este complet instalat. Plăcuța de date este vizibilă prin simpla deschidere a ușii. Comunicați întotdeauna informațiile de pe aceasta pentru a identifica aparatul atunci când comandați piese de schimb.



ASISTENȚĂ

Piese de schimb

- ▷ Trebuie utilizate numai componente autorizate în timpul servisării aparatului.
- ▷ Nu reparați și nu înlocuiți piese ale cuptorului care nu au fost indicate în acest manual.
- ▷ Toate intervențiile și reparațiile trebuie efectuate de personalul tehnic autorizat.

Înlocuirea componentelor poate fi solicitată prin furnizarea următoarelor date:

- Codul modelului cuptorului (MOD.) și numărul de serie (N.S), care sunt indicate pe eticheta produsului, amplasată în partea inferioară a panoului frontal al cuptorului.
- Descrierea și numărul piesei de schimb; aceste informații tehnice sunt disponibile numai pentru serviciul de asistență autorizat.
- În ultimul rând, comunicați datele de contact ale distribuitorului care v-a vândut cuptorul și datele celui mai apropiat centru de service.

Asistență tehnică

În cazul în care cuptorul dumneavoastră necesită asistență tehnică și/sau piese de schimb, contactați cea mai apropiată reprezentanță autorizată sau centrul de service.

Și în acest caz, trebuie să furnizați datele complete ale aparatului, conform indicațiilor de pe eticheta din aluminiu a produsului, cum ar fi:

- modelul (MOD.)
- numărul de serie (N.S.) (eticheta din partea inferioară a panoului frontal al cuptorului).

EVACUARE CA DEȘEU

Informații pentru utilizatori



Simbolul existent pe produs sau pe ambalajul acestuia indică faptul că aparatul nu poate fi reciclat ca deșeu menajer.

Prin reciclarea corespunzătoare a aparatului preveniți orice consecință dăunătoare asupra mediului înconjurător și sănătății.

Informații suplimentare privind reciclarea aparatului pot fi furnizate de către autoritățile competente, serviciul local de reciclare sau de către furnizorul aparatului.

Reciclarea aparatului, care urmează să fie aruncat, se va face printr-un punct de colectare a deșeurilor specializat în aparate electronice și electrice.

În conformitate cu Directiva 2012/19/UE cu privire la reducerea substanțelor periculoase utilizate în aparatura electrică și electronică și la eliminarea deșeurilor.

Simbolul de pe aparat, reprezentând un coș de gunoi barat, indică faptul că, la sfârșitul vieții sale utile, produsul nu poate fi eliminat ca deșeu menajer.

În consecință, atunci când produsul a ajuns la finalul vieții sale utile, utilizatorul trebuie să-l predea unui centru corespunzător de reciclare a deșeurilor electrice și electronice.

Colectarea corespunzătoare și separată a resturilor aparatelor casate pentru reciclare, tratament și reciclare ecologică ajută la prevenirea efectelor negative asupra mediului înconjurător și asupra sănătății și facilitează reciclarea materialelor utilizate la fabricarea aparatelor.

Informații pentru instituțiile de testare

Pentru a calcula volumul, îndepărtați ghidajele laterale interioare din sârmă, dacă sunt prezente (conform standardelor 2009/60350-50304/EN).

İÇİNDEKİLER

Bu kılavuz hakkında	110	Çalıştırma	118
Kullanım amacı	111	Fırın fonksiyonları	118
Güvenlikle ilgili bilgiler	111	Fırını ilk kez kullanırken	119
Kurulum	114	Fırın kapağını çıkarma	119
Genel bakış	116	Temizlik ve bakım	120
Kontrol paneli fonksiyonları	117	Destek	121
		Elden çıkarma	122

BU KILAVUZ HAKKINDA

Değerli müşterimiz,

Seçiminiz için teşekkürlerimizi sunar ve sizi tebrik ederiz. En kaliteli malzemelerle, özenle tasarlanan bu yeni ürün tüm pişirme talepleriniz için titizlikle test edildi. Bu yüzden, başlangıçtan itibaren mükemmel sonuçlar elde etmenizi sağlayacak olan bu kolay talimatları okuyup bunlara uymanızı rica ediyoruz. Bu kullanım kılavuzu ürünün çeşitli modelleri için geçerlidir. Dolayısıyla açıklanan özellik ve işlevlerin bazıları sahip olduğunuz üründe bulunmayabilir.

- ▶ Ürünü kullanmadan önce kullanım kılavuzunu dikkatlice okuyun.
- ▶ Kullanım kılavuzunu saklayın.
- ▶ Bu kullanım kılavuzunda açıklanan ürünü sadece kullanım amacına uygun şekilde kullanın.

Franke, önceden bildirimde bulunmadan değişiklik yapma hakkını saklı tutar. Tüm bilgiler yayınlanma tarihinde doğrudur.

Sembol Anlamı



Uyarı sembolü. Yaralanma risklerine karşı uyarı.



Yaralanma veya hasardan kaçınmak için güvenlik ve uyarı notlarında belirtilen eylemler.



Eylem basamağı. Yapılması gereken bir eylemi belirtir.



Sonuç. Bir veya birden fazla eylem basamağının sonucu.

KULLANIM AMACI

Fırın profesyonel olmayan kullanım amacıyla yalnızca evlerde kullanılmak üzere geliştirilmiştir.

Farklı pişirme yöntemlerinin güvenli ve kolay bir şekilde seçilebilmesini sağlayan çok amaçlı bir ev aletidir.

GÜVENLİKLE İLGİLİ BİLGİLER

- ▷ Fırını kullanmadan önce kullanım kılavuzunu ve güvenlik bilgilerini dikkatlice okuyun.
- ▷ Kılavuzu ileride ihtiyacınız olduğunda bakmak için saklayın.

Ürünün yanlış kurulmasından ve yanlış, uygunsuz veya makul olmayan bir biçimde kullanılmasından kaynaklanabilecek olası hasarlardan üretici sorumlu tutulamaz.

Fırının elektrik güvenliği ancak fırın geçerli düzenlemelere uygun bir topraklama sistemine bağlandığı takdirde garanti edilmektedir.

Bu elektrikli aygıtın güvenli ve etkili bir şekilde çalışmasını sağlamak için:

- ▷ Sadece yetkili servis merkezleriyle irtibata geçin.
- ▷ Ürünün hiçbir özelliğini modifiye etmeyin.
- ▷ Bu ürün 8 yaş ve üzeri çocuklar, fiziksel, duyuşsal veya zihinsel yetkinlikleri sınırlı olan veya sınırlı deneyimi veya bilgisi olan kişiler tarafından ancak

ilgili tehlikeleri anladıkları takdirde ve gözetim altında veya ürünün güvenli bir şekilde kullanımına ilişkin talimatların verilmesi halinde kullanılabilir. Çocuklar ürünle oynamamalıdır. Temizlik ve bakım işlemleri bir yetişkinin gözetimi altında olmayan çocuklar tarafından yapılmamalıdır.

- ▷ 8 yaşın altındaki çocuklar gözetim altında olsalar dahi ürünü kullanmamalı veya temizlememelidirler.
- ▷ Çocukların cihazla oynamadığından emin olmak için gözetim altında olmalıdır.
- ▷ Ürün oyuncak değildir.
- ▷ Çocukların yanlarında bir yetişkin olmadan ürünün yanına yaklaşmalarına izin vermeyin.
- ▷ Çocukların ürünle oynamalarına izin vermeyin.
- ▷ Ürün kullanılırken veya kullanıldıktan hemen sonra çocukların ürüne veya kontrollerine dokunmasına izin vermeyin.

- ▷ Ürünün Kategori III aşırı gerilim koşullarında tamamen kesilmeyi temin eden bir kontak açıklığı mesafesiyle, güç kaynağı bağlantısının kesilmesini sağlayacak şekilde kurulduğundan emin olun. Bağlantı kesme yöntemleri, kablolama kurallarına uygun olarak sabit kablolara dahil edilmelidir.
- ▷ Sadece bu fırın için tavsiye edilen sıcaklık probunu kullanın.
- ▷ Aşırı ısınmayı önlemek için, ürün, dekoratif bir kapının arkasına kurulmamalıdır.



Yanık riski!

- ▷ Kullanım sırasında ürün ısınır. Fırının içindeki ısıtma elemanlarına dokunmaktan kaçının. 8 yaşın altındaki çocuklar sürekli gözetim altında olmamaları halinde uzak tutulmalıdır.



Yanık riski!

- Kapak kolunun ucu, havalandırmadan çıkan sıcak hava nedeniyle daha da sıcak olabilir.
- ▷ Fırın kullanılmıyorken kontrol düğmelerinin kapalı konumda olduklarından daima emin olun.

UYARI: Olası bir elektrik çarpmasından kaçınmak için lamba değiştirilmeden önce ürünün kapatıldığından emin olun.

- ▷ Ocağın cam kapağını/ kapatma klapesinin camını (varsa) temizlerden aşındırıcı temizlik malzemeleri veya keskin metal kazıyıcılar kullanmayın çünkü yüzeyin çizilmesine ve camın çatlamasına neden olabilir.
- ▷ Buharlı temizleyiciler veya doğrudan tazyikli su kullanmayın.
- ▷ Güç kablosu zarar görürse, olası bir tehlikeyi önlemek için üretici, servis sorumlusu veya yetkili servis tarafından değiştirilmelidir.

DİKKAT: Termal şalterin istem dışı sıfırlanma tehlikesinden kaçınmak adına bu cihaz, zamanlayıcı gibi harici bir anahtarlama cihazı üzerinden beslenmemeli veya yardımcı bir yazılım ile düzenli olarak açılıp kapanan bir devreye bağlanmamalıdır.

Ürün, enerji verimliliği sınıfı „G“ olan bir ışık kaynağı içerir.

Doğru kurulum ve yerleştirme

- ▷ Çocukları üründen ve ambalaj malzemesinden uzak tutun.
- Fırın güç kaynağına kalıcı olarak bağlanacaktır:
- ▷ Ürünün sadece müşteri hizmetleri, bir elektrikçi veya uygun bilgiye/eğitime sahip eğitimli personel tarafından kurulduğundan emin olun.
- ▷ Ürünün doğrudan şebekeye bağlı bir prize bağlandığından emin olun. Ürün bağlanırken adaptör, çoklu priz veya uzatma kablosu kullanılmadığından emin olun.
- ▷ Cihazın hava koşullarına (yağmur, güneş) maruz bırakılmadığından emin olun.



Ölüm riski!

- ▷ Ev hayvanlarını üründen uzak tutun.
- ▷ Plastik film ve polistiren gibi ambalaj malzemeleri çocuklar için tehlikeli olabilir.
- ▷ Ambalaj malzemelerini çocuklardan uzak tutun.

Doğru kullanım

- ▷ Ürünü sadece yemek hazırlamak ve pişirmek için kullanın.
- ▷ Kapları fırına yerleştirirken veya fırından çıkarırken fırın eldiveni kullanın.
- ▷ Ürünü kullanırken, fırınla birlikte kullanılan yemek pişirme aletlerinin kılavuzlarında yazanlara uygun hareket edin.
- ▷ Başka elektrikli aletlerin kablolarını fırının sıcak kısımlarının üzerine koymayın.
- ▷ Fırının yakınında yanıcı sıvılar kullanmayın.



Tıkalı havalandırma nedeniyle fırında aşırı ısınma ve arıza riski!

- ▷ Fırının içini asla alüminyum folyo ile kaplamayınız.
- ▷ Fanın havalandırmasını veya fırın kapağının üstündeki soğutma girişlerini tıkamayın.



Yanık riski!

- ▷ Kapağı açık kapatırken daima kapak kolunu ortasından tutun.



Hasarlı ürün nedeniyle elektrik çarpması riski!

- ▷ Hasarlı ürünü çalıştırmayın.
- ▷ Sigortayı sigorta kutusundan kapatın.
- ▷ Müşteri hizmetleriyle irtibata geçin.



Elektrik çarpması riski!

- ▷ Ürüne vücudunuzun ıslak kısımlarıyla dokunmayın.
- ▷ Ürünü yalın ayak kullanmayın.
- ▷ Fişi prizden çıkarırken ürünü veya güç kablosunu çekiştirmeyin.

Bakım ve temizlik

Bakım veya temizlik öncesinde:

- ▷ Ürünün güç kaynağıyla bağlantısını kesin; örn. sigortayı sigorta kutusundan kapatın.



Sıvı girişi nedeniyle elektrik çarpması riski!

Ürün elektrikli bileşenler içermektedir.

- ▷ Ürünün içine sıvı girmediğinden emin olun.
- ▷ Ürünü temizlemek için basınçlı buhar kullanmayın.
- ▷ Çalışan elemanları temizlemek için ıslak bez kullanmayın.

Tamir

- ▷ Kalifiye personel dışında herhangi birinin ürünü kurmasına veya tamir etmesine izin vermeyin.
- ▷ Aşağıdaki durumlarda üretici tarafından yetkilendirilen bir servis merkeziyle veya kalifiye personelle irtibata geçin:
 - Ürünü ambalajından çıkardıktan hemen sonra, ürünün sağlamlığına dair şüphe duymanız durumunda
 - Kurulum sırasında (üretici talimatlarına göre)
 - Ürünün doğru çalışmasına dair şüphe duymanız durumunda
 - Arıza veya kötü çalışma
 - Ürünün fişiyle uyumsuz olması durumunda prizi değiştirirken.

Hizmetten çıkarma

Fırın bir daha kullanılmayacaksa, güç kaynağıyla bağlantısını kesmek için servis merkezini veya kalifiye personeli arayın.

Enerji tasarrufuna yönelik bilgiler

Mümkünse fırını ön ısıtmadan kaçının ve her zaman doldurmaya çalışın. Fırın her açıldığında ısının boşluktan çıkması nedeniyle fırının kapağını açmaktan mümkün olduğunca kaçın.

Önemli bir enerji tasarrufu sağlamak için fırını planlanan pişirme süresi sonundan 5 veya 10 dakika önce kapatın ve fırının üretmeye devam ettiği kalan ısıdan faydalanın. Boşluktan ısının çıkmasını önlemek için contaları temiz tutun. Saatlik tarifeli bir elektrik sözleşmeniz varsa "gecikmeli pişirme" programı, pişirme işleminin başlangıcını tarifenin düşük olduğu zaman aralığına erteleyerek enerji tasarrufunu kolaylaştırır.

KURULUM

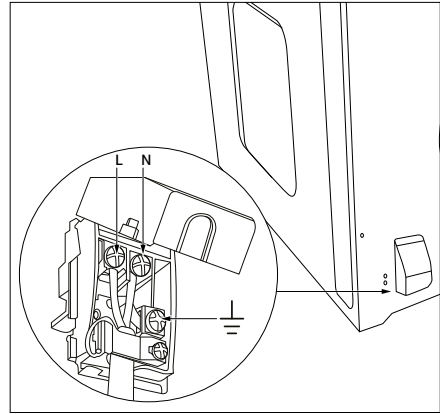
Gömme montaj

- ▶ Fırın, bir çalışma tezgahının altına veya bir pişirme kolonuna kurulabilir. Şekilde kurulum boyutları gösterilmektedir.
- ▶ Çevreleyen malzemelerin ısıya dayanıklı olduğundan emin olun.
- ▶ Fırını, çevreleyen ünitelerin yan duvarlarının ortasına gelecek şekilde hizalayın ve birlikte teslim edilen cıvata ve allen cıvatalarla sabitleyin.

Elektrik bağlantıları

- ▷ Fırını ana güç kaynağına bağlamadan önce şunlardan emin olun:
 - ▶ Besleme gerilimi, fırının önündeki veri plakasında belirtilen özelliklere uygun olmalıdır.
 - ▶ Ana güç kaynağı, tüm kanun ve düzenlemelere uygun şekilde yeterli toprak bağlantısına (topraklama) sahip olmalıdır. Doğru toprak bağlantısı (topraklama) yasal bir gerekliliktir.
- ▷ Güç kablosu, uzunluğu boyunca hiçbir noktada ortam sıcaklığının 50° C üzerine ulaşmamalıdır.

- ▷ Sabitlenmiş ürün bir güç kablosu veya fişi veya elektrik prizinden çekilmesine izin veren başka bir cihazla sağlanmadıysa, kontaklar arasında sınıf III aşırı gerilim korumasını sağlayacak kadar büyük bir boşluk varsa, bu tür bir ürün elektrik tesisatını düzenleyen yönetmeliklere uygun olarak güç kaynağına takılmalıdır.
- ▷ Fırın tamamen kurulduğunda soket veya şalterler kolay erişilebilir durumda olmalıdır.



Kablo tipleri ve minimum çaplar

H05RR-F 3x1,5 mm²H05VV-F 3x1,5 mm²H05RN-F 3x1,5 mm²H05V2V2-F 3x1,5 mm²

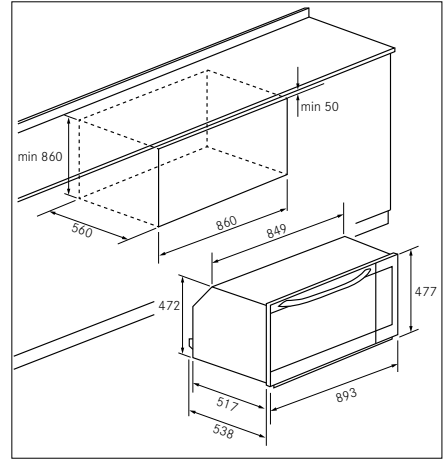
SASO

H05RR-F 3x2,5 mm²H05VV-F 3x2,5 mm²H05RN-F 3x2,5 mm²H05V2V2-F 3x2,5 mm²

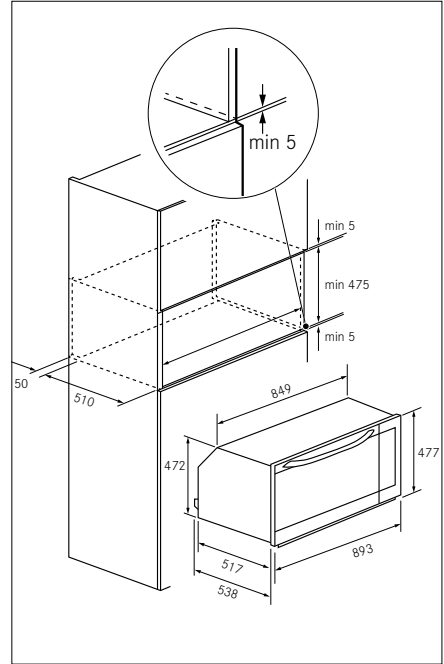
Uyarı: Yukarıdaki talimatlara ve normlara uygun güvenlik önlemlerine uyulmazsa, üretici hasar veya yaralanma ile ilgili tüm sorumluluğu reddeder.

Fırının dolaba montajı

Altına monte tip



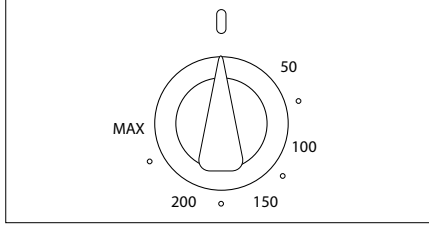
Dikey tip



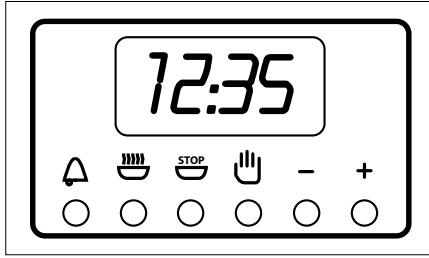
GENEL BAKIŞ

Termostat

- İhtiyacınız olan pişirme sıcaklığını ayarlamak için termostadı kullanın. Termostat 50° - 250° C arasında ayarlanabilir.



6 tuşlu elektronik zamanlayıcı



Saati ayarlama

- Süre (☕) ve pişirme süresi sonu (STOP) tuşuna aynı anda basın, ardından zamanı ayarlamak için + / - tuşlarına basın.

Manuel çalıştırma

- Pişirmeyi, pişirme süresi sonunu ayarlamadan başlatmak için manuel tuşa (☞) basın.

Pişirme süresini sadece yarı otomatik modda ayarlama

- Pişirme süresini ayarlamak için süre tuşuna basın ve pişirme süresini ayarlamak için + / - tuşlarına basın.
- Pişirme süresi sona erdiğinde sesli bir sinyal duyulur ve fırın kendiliğinden kapanır.
- Termostadı açın, seçme düğmelerini tekrar 0 konumuna getirin ve manuel tuşa basın.

Pişirme süresinin sonunu sadece yarı otomatik modda ayarlama

- Pişirme süresinin sonunu ayarlamak için pişirme sonu tuşuna (STOP) basın ve fırının kapanmasını istediğiniz zamanı ayarlamak için + / - tuşlarına basın.
- Zamanlayıcı ayarlanan süreye ulaştığında sesli bir sinyal duyulur ve fırın kendiliğinden kapanır.
- Termostadı açın, seçme düğmelerini tekrar 0 konumuna getirin ve manuel tuşa basın.

Tam otomatik çalıştırma

- Pişirme süresinin sonunu ayarlamak için, süre tuşuna (☕) basın ve pişirme süresini ayarlamak için + / - tuşlarına basın.
- Pişirme (STOP) sonu tuşuna basın ve fırının kapanmasını istediğiniz zamanı ayarlamak için + / - tuşlarına basın.
- Bu süreleri ayarlamayı bitirdiğinizde AUTO sembolü yanıp söner ve sesli bir sinyal duyulur.
- Sesli sinyali kapatmak için herhangi bir tuşa basın.

Alarm zamanlayıcısı

- Alarm zamanlayıcısı tuşuna basın ve gereken pişirme süresini ayarlamak için + / - tuşlarına basın.
- Pişirme süresi sona erdiğinde sesli bir sinyal duyulur.
- Sesli sinyali kapatmak için herhangi bir tuşa basın.

Programlama hataları

- Ekranda görüntülenen saatten daha önce başlayan bir pişirme süresini programlayamazsınız.
- Bunu yapmaya çalıştığınızda, sesli bir sinyal duyulur ve AUTO sembolü yanıp söner.
- Hatayı düzeltmek için süreyi veya pişirme zamanını değiştirmeniz yeterlidir.

Pişirme programını iptal etme

- Bir pişirme programını iptal etmek için manuel tuşa (☞) basın.

Kontrol paneli fonksiyonları

Seçicideki fonksiyon sembolleri



Fırın ışığı

Fırın kullanıldığı sürece açık kalır.



Üst ve alt ısıtma elemanları

50 °C'den MAX'a termostat ayarlama.



Üst ve alt fanlı ısıtma elemanları

50 °C'den MAX'a termostat ayarlama.



Fanlı dairesel ısıtma elemanları

50 °C'den MAX'a termostat ayarlama.



Alt fanlı ısıtma elemanı

50 °C'den MAX'a termostat ayarlama.



Çift üst fanlı ısıtma elemanı (geniş yüzeyli ızgara)

50 °C'den 200 °C'ye termostat ayarlama.



Üst ısıtma elemanı (küçük, düşük güçlü ızgara)

50 °C'den 200 °C'ye termostat ayarlama.



Bu mod enerji tasarrufu için tasarlanmıştır.

Dondurulmuş veya önceden pişirilmiş yiyecekler ve küçük porsiyonlu yiyecekler için idealdir. Ön ısıtma süresi çok kısadır ve pişirme daha yavaş gerçekleşir. Ağır yiyecekler örn. büyük porsiyonlar veya büyük yemekleri hazırlama için tavsiye edilmez.

ÇALIŞTIRMA

Fırın fonksiyonları



Klasik pişirme

Klasik pişirme, tek yemeği pişirmek için üst ve alt ısıtmayı kullanır. Yiyeceği ancak pişirme sıcaklığına ulaştığında, ısıtma göstergesi söndüğünde fırına koyun. Pişirme döngüsünün sonuna doğru üst veya alt sıcaklığı arttırmak istediğinizde, sıcaklık kontrolünü doğru konuma ayarlayın. Pişirme süresi boyunca fırın kapağını mümkün olduğunca az açmanız tavsiye edilir.

Buz çözme

Fanlı pişirme fonksiyonlarından biri seçildiğinde ve termostat sıfırına ayarlandığında, fan fırının içinde soğuk hava dolaşımı sağlar. Bu şekilde dondurulmuş yiyeceklerin buzu hızlıca çözülebilir.



Fanlı pişirme

Bu tip pişirme için arkadaki bir fan, fırının içinde sıcak hava dolaşımı sağlayarak eşit ısı oluşturur. Bu yöntemle pişirme, klasik pişirmeden daha hızlı gerçekleşir. Bu yöntem birden fazla rafta özellikle farklı türlerde yiyecekler (balık, et, vb.) pişirmek için uygundur.



Izgarada pişirme

Yiyecekleri izgara yapmak veya üzerini kızartmak için kullanın. Bazı fırınlar, şişte çevirmek için bir elektrikli motor ve şişle donatılmış olabilir. Pişirilecek yiyeceğin rafını üstten 1. veya 2. konuma yerleştirerek pişirin. Fırında 5 dakika ön ısıtma yapın. Termostatı 50 °C ile 200 °C arasında bir sıcaklığa ayarlayın.

Soğutma fanı

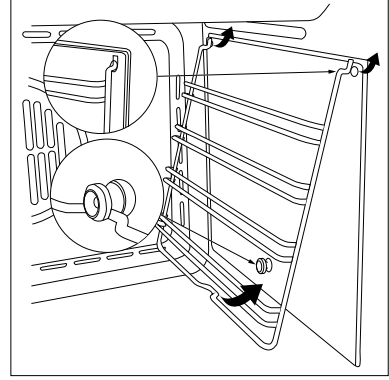
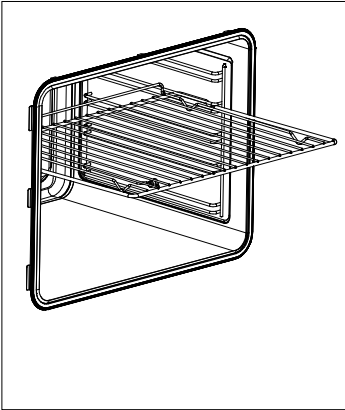
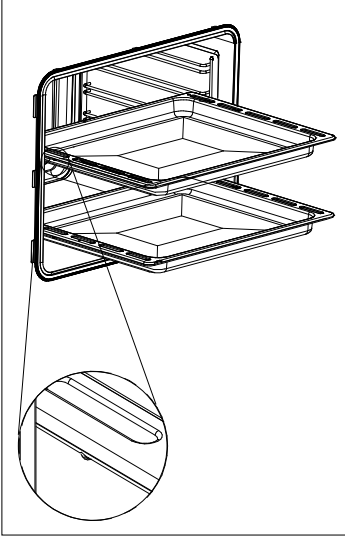
- ▶ Fan, fırının üst kısmındadır ve mobilyaların içinde ve fırının kapısından bir soğutma havası dolaşımı oluşturur.
- ▶ Fırının dış kabuğunun sıcaklığı 60 °C'ye ulaştığında açılır.
- ▶ Fırın 200 °C'de çalıştırıldığında fan yakl. 10 dakika sonra çalışmaya başlar. Fırının dış kabuğunun sıcaklığı 60 °C'nin altına düştüğünde kapatılır.
- ▶ Fırın 200 °C'de çalıştırıldığında yakl. 30 dakika çalıştırdıktan sonra durur.

ÖNEMLİ: Fırında ön ısıtma yapmanız zorunlu olmasa da hamur işleri pişirmeniz için bu tavsiye edilir.

Izgaraları yerleştirme

Izgaraları doğru yerleştirmek için aşağıdaki şekilleri dikkate alın:

Çıkarılabilir kılavuzlar



- Pişirme sırasında hoş olmayan kokuların oluşmasına neden olabilecek yağ kalıntılarını yakmak için fırını yaklaşık 30 dakika maksimum sıcaklıkta çalıştırın.

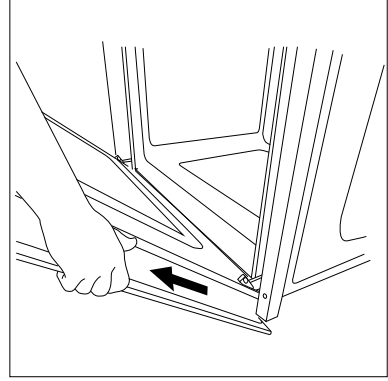
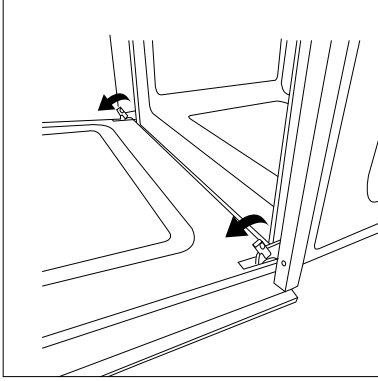
Fırın kapağını çıkarma

Fırın kapağı hızlı ve kolayca çıkarılabilir. Bunun için şu adımları izleyin:

- Kapağı tamamen açın.
- Şekilde gösterilen iki kolu kaldırın.
- Kapağı birinci duruşa kadar kapatın (buna kaldırılan kollar neden olur).
- Kapağı bağlantı yerlerinden çıkarmak için yukarı ve dışarı doğru kaldırın.

Fırını ilk kez kullanırken

- Fırını sabunlu suyla temizleyin ve iyice durulayın.
- Yanal çerçeveleri pürüzsüz duvarlı duvarlardan çıkarmak için şekilde gösterilen adımları izleyin.



- Kapağı yerine takmak için, menteşeleri bağlantı yerlerine oturtun ve iki kolu indirin.

TEMİZLİK VE BAKIM

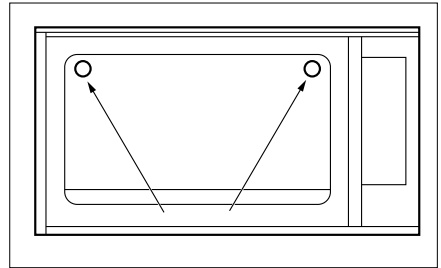
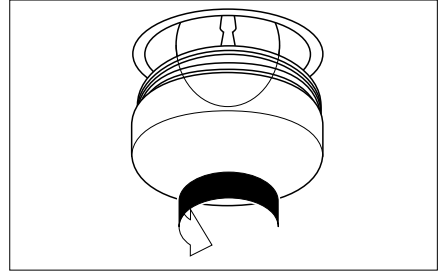
Fırın lambasını değiştirme

Önemli: Fırın lambası bu hassas özelliklere sahip olmalıdır:

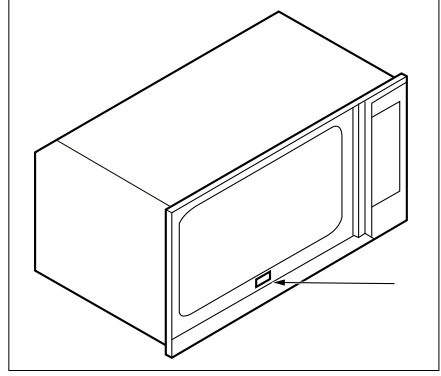
- Yüksek sıcaklıklara karşı dayanıklı olmalıdır (300 °C'ye kadar)
- Güç beslemesi: Bkz. Veri plakasında gösterilen V/Hz
- Güç: 25 W
- E14 bağlantısı

Uyarı: Devam etmeden önce, ürünün ana elektrik beslemesiyle bağlantısını kesin.

- Hasarı önlemek için fırının içine bir kurulama bezi koyun.
- Aydınlatmanın cam kapağının vidalarını sökün.
- Eski ampulü çıkarın ve yerine yenisini takın.
- Cam kapağı tekrar takın ve kurulama bezini çıkarın.
- Ürünü ana elektrik beslemesine bağlayın.



Önemli: Fırının veri plakası, fırın tamamen kurulduğunda da erişilebilir olmalıdır. Kapak açıldığında plaka görülebilmelidir. Yedek parça siparişi ederken ürünü tanımlayabilmek için her zaman bu plakadan faydalanın.



DESTEK

Yedek parçalar

- ▷ Ürüne bakım yapılırken her zaman sadece izin verilen bileşenler kullanılmalıdır.
- ▷ Bu kılavuzda tavsiye edilmediği sürece fırının hiçbir parçasını onarmayın veya değiştirmeyin.
- ▷ Her türlü çalışma ve onarım yetkili teknik personel tarafından gerçekleştirilmelidir.

Bileşenlerin değiştirilmesi aşağıdaki verilerin sağlanmasıyla istenebilir:

- Fırının ön yüzünün alt kısmında bulunan ürün etiketi üzerinde belirtilen fırın model kodu (MOD.) ve seri numarası (S.N.).
- Yedek parçanın tanımı ve numarası: Bu teknik bilgi yalnızca yetkili yardım servisine sunulur.
- Son olarak, fırının satışını gerçekleştiren distribütörle ilgili bilgiler ve en yakın servis merkezinin bilgileri.

Teknik yardım

Fırınız için teknik yardım ve/veya yedek parça gerekirse en yakın yetkili satıcı veya servis merkezi ile iletişime geçin.

Bu durum söz konusu olduğunda da alüminyum ürün etiketi üzerinde gösterilen ürün verilerinin tamamını bildirmeniz gerekir, bunlar:

- model (MOD.)
- seri numarası (S.N.) vb. (fırının ön yüzünün alt kısmındaki etiket).

ELDEN ÇIKARMA

Kullanıcı bilgileri



Ürün veya ambalaj üzerindeki sembol, ürünün evsel atıklarla beraber atılmaması gerektiğini gösterir.

Ürünü uygun bir yolla elden çıkararak, çevre ve sağlık üzerindeki zararlı etkilerden kaçınılmasını sağlamış olursunuz.

Ürünün geri dönüştürülmesi hakkında ayrıntılı bilgi yetkili makamlardan, yerel çöp toplama hizmetlerinden veya ürünü satan bayiden elde edilebilir.

Atılacak ürünü, elektrikli ve elektronik ürünlere özel atık toplama noktası yoluyla elden çıkarın.

Elektrikli ve elektronik cihazlarda kullanılan tehlikeli maddelerin azaltılmasına ve atıkların atılmasına ilişkin 2012/19/EU sayılı Direktifle uyumlu olarak.

Ürünün üzerindeki üstü çizili çöp kutusu sembolü, ürünün kullanım ömrü sona erdiğinde evsel atıklarla beraber atılmaması gerektiğini gösterir.

Bu nedenle, ürünün kullanım ömrü sona erdiğinde, ürün sahibi, ürünü elektronik ve elektroteknik atıklar için uygun bir geri dönüşüm merkezine götürmeli veya benzer tipte yeni bir ürün alırken bayiye iade etmelidir.

Hurdaya çıkarılan ürünün daha sonra geri dönüşüm, arıtım ve çevre dostu bir şekilde bertarafı için bağımsız olarak uygun bir şekilde toplanması, çevre ve sağlık üzerindeki potansiyel olumsuz etkinin önlenmesini sağlar ve ev aleti üretiminde kullanılan malzemelerin geri dönüştürülmesini kolaylaştırır.

Test kurumları hakkında bilgi

Hacmi hesaplamak için varsa dahili kablo tarafındaki kızıkları çıkarın (2009/60350-50304/EN standartları uyarınca).

Make
it
Wonderful

www.franke.com

FRANKE