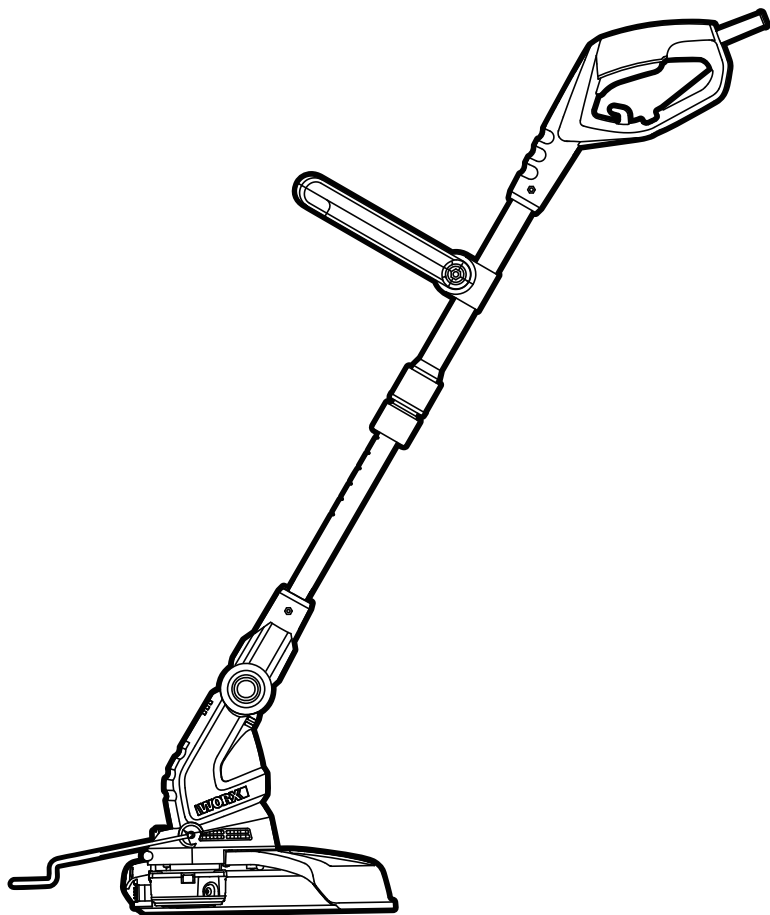


WORX®

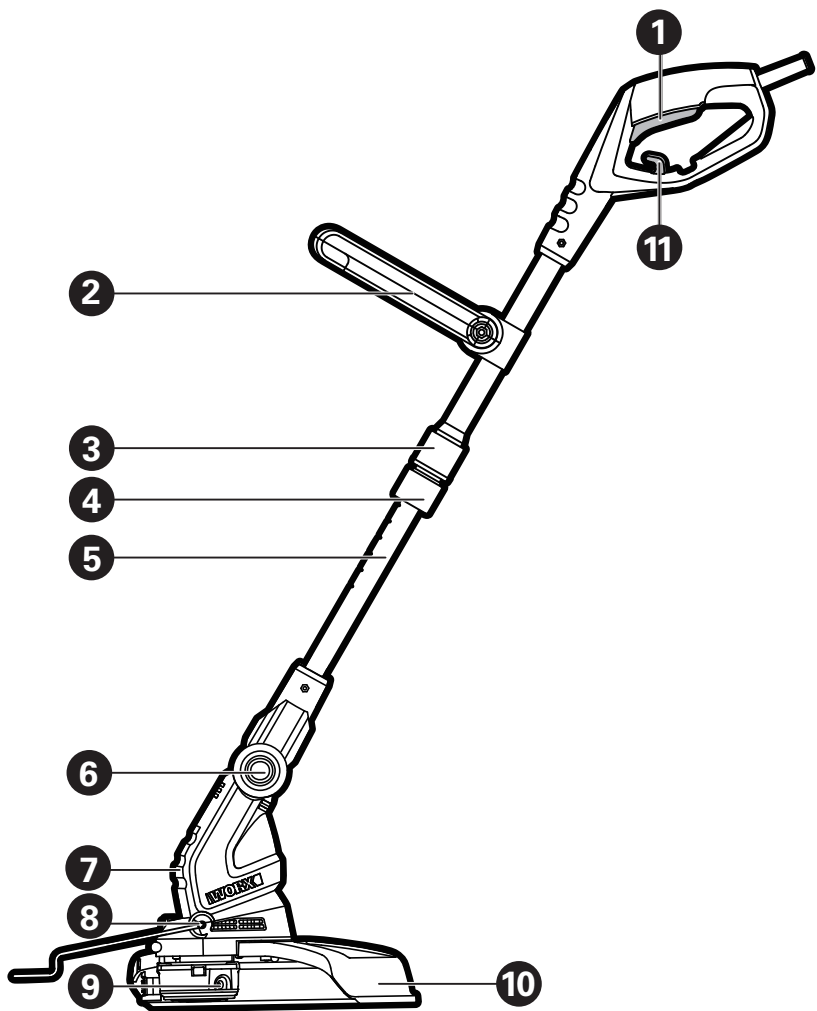


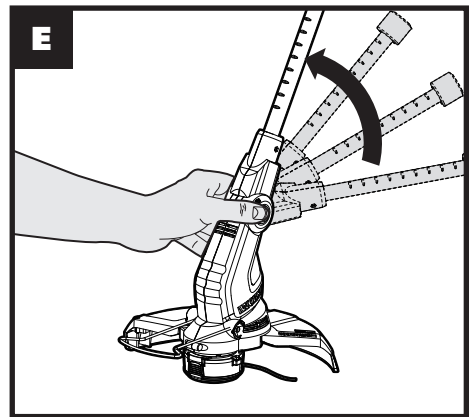
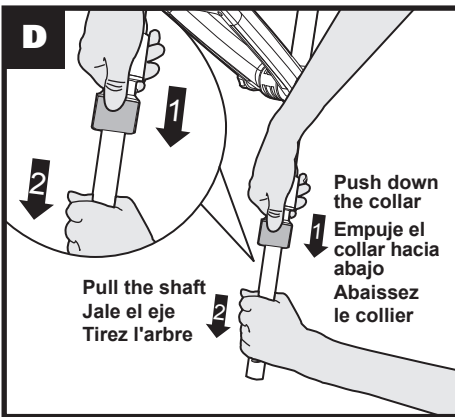
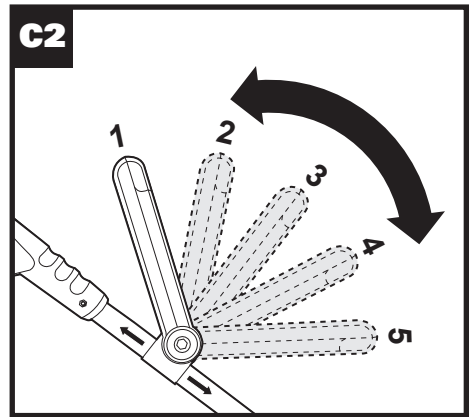
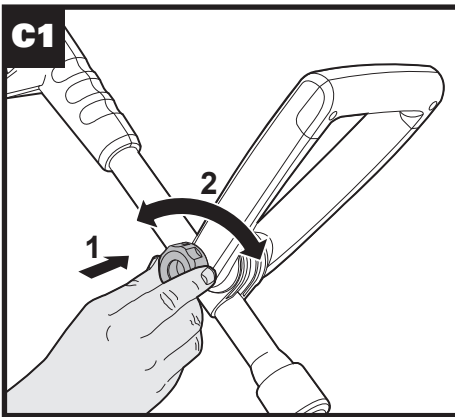
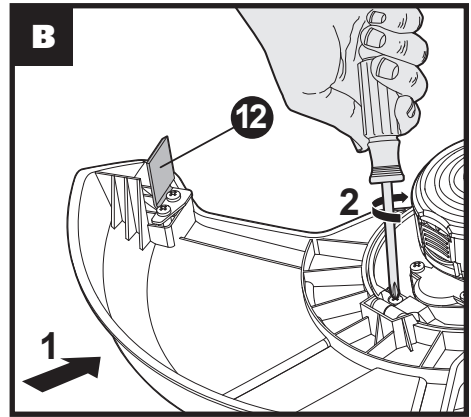
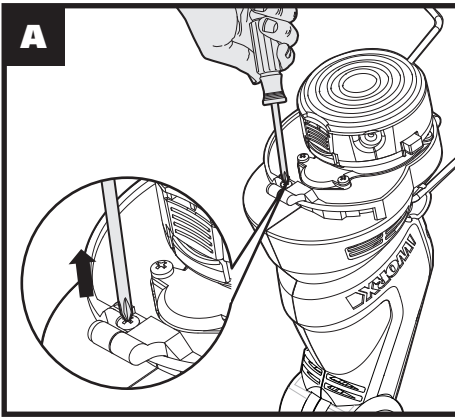
5.5A Electric Grass Trimmer/Edger	EN	P08
Taille-bordure/Coupe-bordure électrique de 5.5A	F	P15
Recortadora/Bordeadora eléctrica de 5.5A	ES	P23

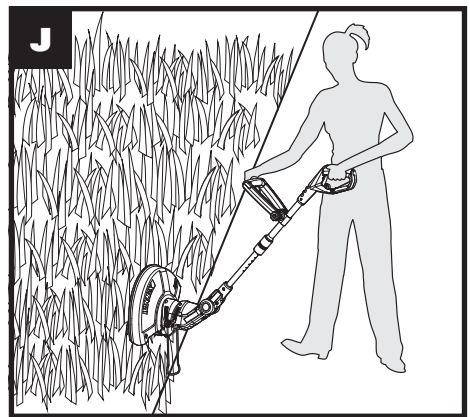
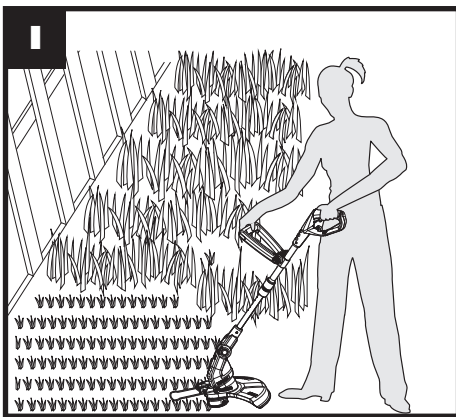
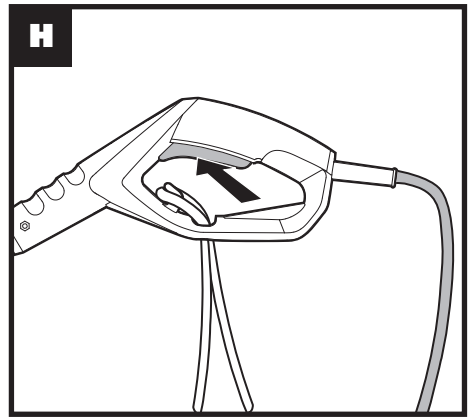
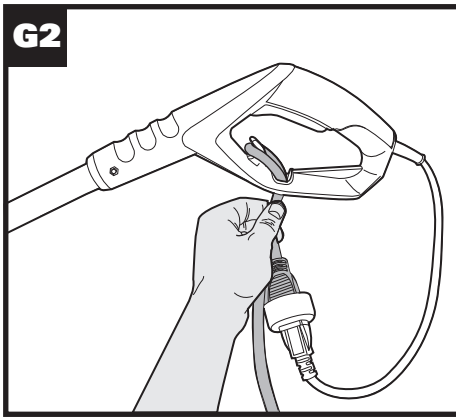
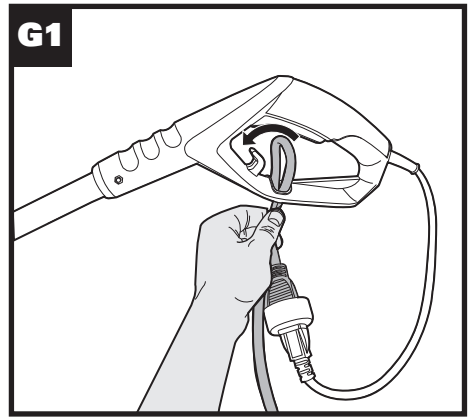
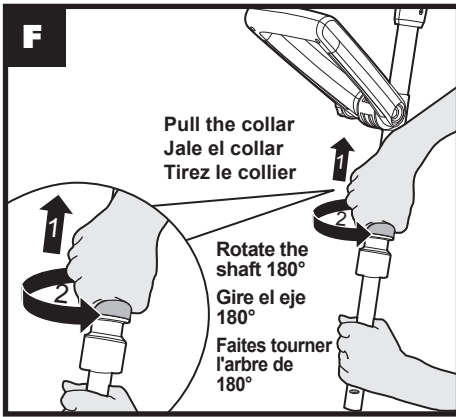


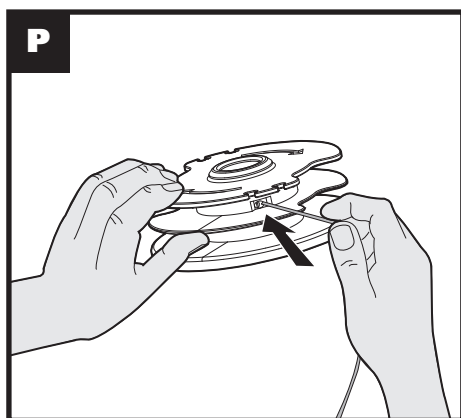
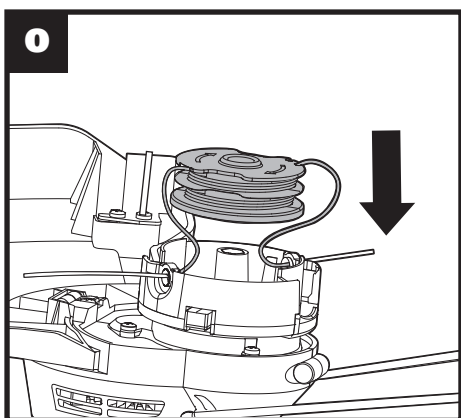
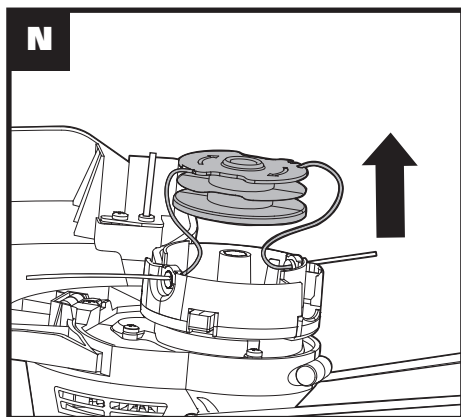
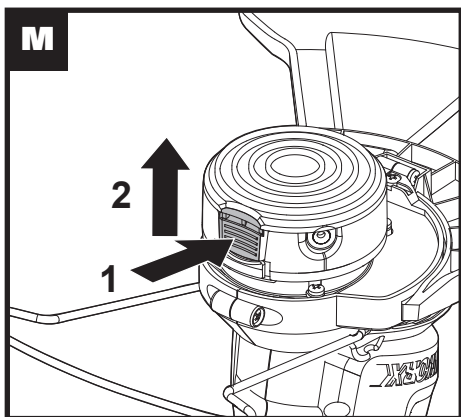
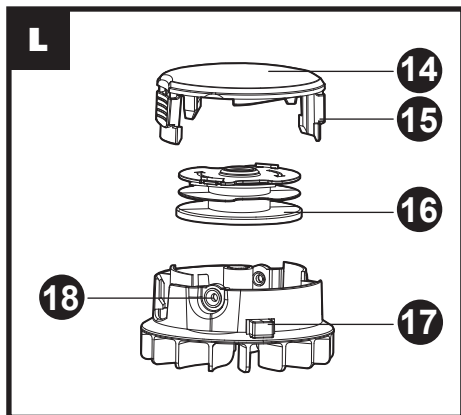
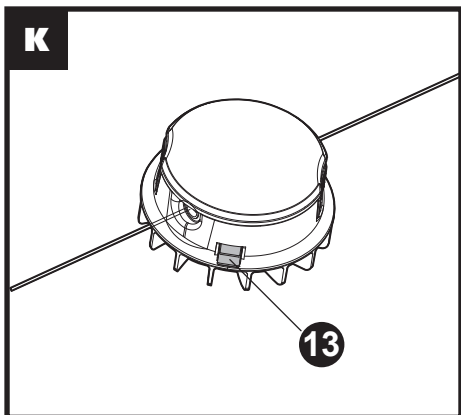
HELPLINE NUMBER
NUMERO DU SERVICE D'ASSISTANCE
NUMERO DE LINEA DE AYUDA
1-866-354-WORX (9679)

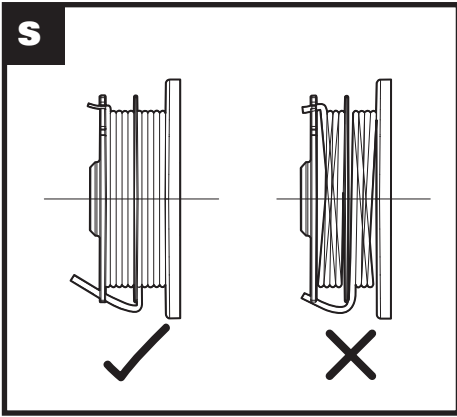
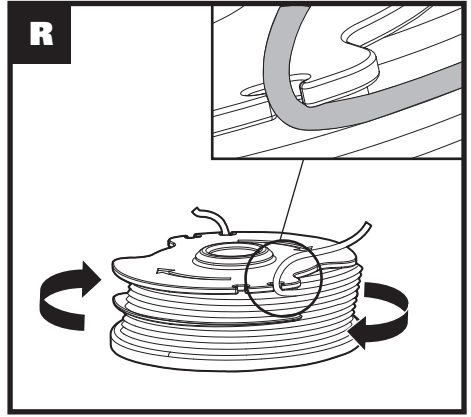
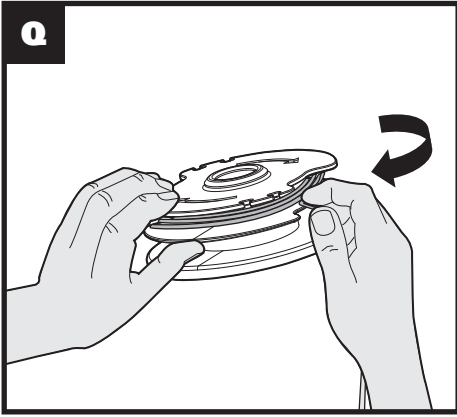
WG119












IMPORTANT SAFETY INSTRUCTIONS

 **WARNING!** When using electric gardening appliances, basic safety precautions should always be followed to reduce the risk of fire, electric shock, and personal injury, including the following:

WARNING: Read all instructions
WARNING: This product can expose you to chemicals including lead, phthalate or bisphenol A which are known to the State of California to cause cancer, birth defects or other reproductive harm. Wash your hands after use. For more information go to www.P65Warnings.ca.gov.

1. FOR ALL DOUBLE- INSULATED APPLIANCES

- a) Replacement parts.** When servicing use only identical replacement parts.
- b) Polarized appliance connections.**
To reduce the risk of electric shock, this appliance has a polarized plug (one blade is wider than the other) and will require the use of a polarized extension cord. The appliance plug will fit into a polarized extension cord only one way. If the plug does not fit fully into the extension cord, reverse the plug. If the plug still does not fit, obtain a correct polarized extension cord. A polarized extension cord will require the use of a polarized wall outlet. This plug will fit into the polarized wall outlet only one way. If the plug does not fit fully into the wall outlet, reverse the plug. If the plug still does not fit, contact a qualified electrician to install the proper wall outlet. Do not change the equipment plug, extension cord receptacle, or extension cord plug in any way.

SAVE THESE INSTRUCTIONS

2. FOR ALL APPLIANCES

- a) Avoid dangerous environment.** Don't use appliances in damp or wet locations.
- b) Don't use in rain.**
- c) Keep children away.** All visitors should be kept at a distance from work area.
- d) Dress properly.** Do not wear loose clothing or jewelry. They can be caught in moving parts. Use of protective gloves and substantial footwear is recommended when

working outdoors. Wear protective hair covering to contain long hair.

- e) Use safety glasses.** Always use face or dust mask if operation is dusty.
- f) Use right appliance.** Do not use appliance for any job except that for which it is intended.
- g) Ground Fault Circuit Interrupter (GFCI) protection** should be provided on the circuit(s) or outlet(s) to be used for the gardening appliance. Receptacles are available having built-in GFCI protection and may be used for an added measure of safety.
- h) WARNING!** To reduce the risk of electric shock, use only with an extension cord intended for outdoor use, such as an extension cord of cord type SW-A, SOW-A, STW-A, STOW-A, SJW-A, SJOW-A, SJTW-A. or SJTOW-A.
- i) Extension cord!** Make sure your extension cord is in good condition. When using an extension cord, be sure to use one heavy enough to carry the current your product will draw. An undersized extension cord will cause a drop in line voltage resulting in loss of power and overheating. Table 1 shows the correct size to use depending on cord length and nameplate ampere rating. If in doubt, use the next heavier gage. The smaller the gage number, the heavier the cord. To reduce the risk of disconnection of appliance cord from the extension cord during operating:
- i) Make a knot as shown in Figure 1
- ii) Use one of the plug-receptacle retaining straps or connectors described in this manual.
- j) Avoid unintentional starting.** Don't carry plugged-in appliance with finger on switch. Be sure switch is off when plugging in.
- k) Don't abuse cord.** Never carry appliance by cord or yank it to disconnect from receptacle. Keep cord from heat, oil, and sharp edges.
- l) Don't grasp the exposed cutting blades or cutting edges when picking up or holding the appliance.**
- m) Don't force appliance.** It will do the job better and with less risk of injury at the rate for which it was designed.
- n) Don't overreach.** Keep proper footing and balance at all times.
- o) Stay alert.** Watch what you are doing. Use common sense. Do not operate appliance when you are tired.

p) Disconnect appliance. Disconnect the appliance from the power supply when not in use, before servicing, when changing accessories such as blades, and the like.

q) Store idle appliances indoors. When not in use, appliances should be stored indoors in dry, and high or locked-up place, out of reach of children.

r) Maintain appliance with care. Keep cutting edge sharp and clean for best performance and to reduce the risk of injury. Follow instructions for lubricating and changing accessories. Inspect appliance cord periodically, and if damaged, have it repaired by an authorized service facility. Inspect extension cords periodically and replace if damaged. Keep handles dry, clean, and free from oil and grease.

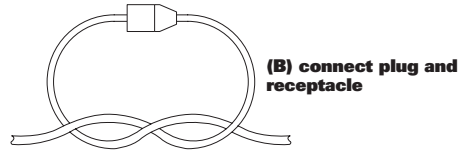
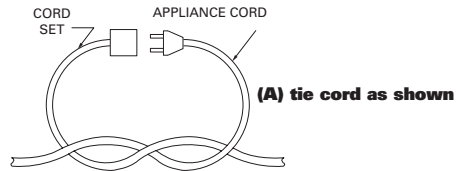
s) Check damaged parts. Before further use of the appliance, a guard or other part that is damaged should be carefully checked to determine that it will operate properly and perform its intended function. Check for alignment of moving parts, binding of moving parts, breakage of parts, mounting, and any other condition that may affect its operation. A guard or other part that is damaged should be properly repaired or replaced by an authorized service center unless indicated elsewhere in this manual.

SAVE THESE INSTRUCTIONS

Table 1 Minimum gauge for extension cords

Volts	Total length of cord in feet			
	25	50	100	150
120V	25	50	100	150
240V	50	100	200	300
Ampere Rating More than Not more than	AWG			
	0-6	18	16	16
6-10	18	16	14	12
10-12	16	16	14	12
12-16	14	12	Not recommended	

Figure 1 Method of securing extension cord



3. EDGER-TRIMMERS

a) Keep guards in place and in working order.

b) Keep blades sharp.

c) Keep hands and feet away from cutting area.

4. Save these instructions. Refer to them frequently and use them to instruct others who may use this tool. If someone borrows this tool, make sure they have these instructions.

ADDITIONAL SAFETY RULES FOR LAWN TRIMMER AND EDGE TRIMMER

1. Keep guards in place and in working order.
2. Do not use this product without the guard being fitted.
3. Keep hands and feet away from cutting area.
4. Do not use heavier lines than recommended in this manual.
5. Do not use line materials of other types – for example, metal wire, rope, and the like.

SAVE THESE INSTRUCTIONS

SYMBOLS



Warning



Read the manual



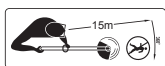
Wear eye protection



Wear ear protection



To avoid possibility of electric shock, do not use in damp or wet conditions



Keep all other people, including children, pets and bystanders outside the 15 meters hazard zone, stop the trimmer immediately if you are approached.



Switch off! Remove plug from mains before adjusting, cleaning or if cable is entangled or damaged.



Double insulation

1. TRIGGER SWITCH

2. AUXILIARY HANDLE

3. HANDLE ROTATION LOCKING MECHANISM

4. HEIGHT ADJUSTMENT LOCKING MECHANISM

5. TELESCOPE TUBE

6. CUTTING HEAD ADJUSTMENT BUTTON

7. MOTOR HOUSING

8. FLOWER GUARD

9. CUTTING HEAD ASSEMBLY

10. SAFETY GUARD

11. CABLE STRAIN RELIEF ARM

12. LINE CUTTER (See Fig. B)

13. LINE FEED BUTTON (See Fig. K)

14. CUTTING HEAD COVER (See Fig. L)

15. CAP RELEASE LATCH (See Fig. L)


16. SPOOL (See Fig. L)

17. CUTTING HEAD (See Fig. L)

18. EYELET (See Fig. L)

Not all the accessories illustrated or described are included in standard delivery.

TECHNICAL DATA

Rated voltage	120V ~ 60Hz
Rated current	5.5A
No load speed	7500/min
Max. cutting diameter	15"
Diameter of line	0.065" (1.65mm)
Line length	2x16' (2x5m)
Weight	6.0lbs (2.7kg)
Protection class	

ACCESSORIES

Flower guard	1
Auxiliary handle	1
Safety guard	1
Spool (WA0007)	1

We recommend that you purchase your accessories from the same store that sold you the tool. Use good quality accessories marked with a well-known brand name. Choose the type according to the work you intend to undertake. Refer to the accessory packaging for further details. Store personnel can assist you and offer advice.

OPERATING INSTRUCTIONS



NOTE: Before using the tool, read the instruction book carefully.

ASSEMBLY / ADJUSTMENT



NOTE: THE GUARD MUST BE ATTACHED to the trimmer head before use.

1. INSTALLING THE SAFETY GUARD (See Fig. A, B)

1) Disconnect the trimmer from the power supply.



WARNING: To avoid injury, ALWAYS turn off and disconnect the trimmer from the power outlet BEFORE installing parts or cleaning the trimmer or making any adjustments.

2) Remove a screw from the guard; attach the safety guard to the trimmer head. Align the guard so it slides into the slots located on the trimmer head. Turn the tool over and secure the safety guard onto the trimmer head with the screw provided.



CAUTION: Line cutter on edge of safety guard is sharp. Use caution when handling.

2. FITTING THE AUXILIARY HANDLE (See Fig. C1)

NOTE: THE AUXILIARY HANDLE MUST BE ATTACHED to the trimmer shaft before use.



WARNING: To avoid injury, ALWAYS turn off and disconnect the trimmer from the power outlet BEFORE installing parts or cleaning the trimmer or making any adjustments.

- 1) Disconnect the trimmer from the power supply.
- 2) Unscrew the auxiliary handle's tightening knob (counterclockwise) and remove from handle.
- 3) Position auxiliary handle onto handle bracket assembly located on trimmer's top-shaft (See Fig. C1).
- 4) Position the knob and screw through the auxiliary handle and bracket, and tighten knob (turn clockwise). (See Fig. C1) Do not tighten completely until you have adjusted

the auxiliary handle to your desired working position.

3. ADJUSTING AUXILIARY HANDLE

(See Fig. C2)

- 1) The auxiliary handle's bracket can be moved up or down on the shaft and the auxiliary handle itself can be moved forward or backward into 5 different locked positions (See Fig.C2).
- 2) When the handle is in desired position, turn knob and tighten securely.

4. ADJUST THE HEIGHT (See Fig. D)


- 1) Disconnect the trimmer from the power supply.
- 2) To adjust the shaft height, hold the upper shaft as shown in Fig D, push the bottom collar with your thumb, then pull the lower shaft with your other hand to the desired height . Release your hands to lock the shaft into place.

5. ADJUST THE CUTTING ANGLE

(See Fig. E)


Your trimmer has a 4-position tilting head that easily adjusts to the desired working angle for optimum operator control and comfort. To adjust the trimmer head angle:

- 1) Disconnect the trimmer from the power supply.

 **WARNING: To avoid injury, ALWAYS turn off and disconnect the trimmer from the power outlet BEFORE installing parts or cleaning the trimmer or making any adjustments.**

- 2) Press the trimmer head adjustment button on the motor housing (See Fig. E).
- 3) Move the trimmer head to one of four different angles and release the button.


Head will click into position. Easily readjust the angle to a more comfortable or efficient position as needed.

 **WARNING: BEFORE connecting your trimmer to the power outlet, BE SURE you are not pressing in on the trigger switch. Failure to do so could result in accidental start-up, which may cause serious personal injury.**

6. ROTATE REAR HANDLE AND UPPER SHAFT 180° (See Fig. F)

- 1) Disconnect the trimmer from the power supply.
- 2) To rotate the upper shaft 180°, hold the lower shaft as shown in Fig F, pull the top collar with your other hand, then rotate the upper shaft 180°. Release your hands to lock the shaft into place.

7. SELECT AN EXTENSION CORD

 **WARNING!** Use only a voltage supply as specified on your unit.

Extension Cord Gauge Cord	
Length of Cord	Gauge
25 Ft. (7.5m)	18 Gauge
50 Ft. (15m)	16 Gauge
100 Ft. (30m)	16 Gauge

Extension cords are available for this unit.

8. PIGTAIL POWER CORD


(See Fig. G1, G2)

Your trimmer/edger has a 12-inch pigtail power cord. This cord must be attached to a proper extension cord. Make a loop in the extension cord. Push loop through hole in the handle (See Fig. G1). Fasten loop around cord retention hook. Plug trimmer's power cord into extension cord plug (See Fig. G2).


OPERATION INSTRUCTIONS

1. ON/OFF TRIGGER (See Fig. H)


Press and hold the trigger to operate the trimmer. Release to stop


 **WARNING:** The cutting head continues to rotate after the trimmer has been switched off. Wait until it stops before laying the trimmer down.

2. OPERATION

 **WARNING: Always wear eye protection and heavy clothing to prevent rocks and debris from hitting you and causing an eye injury or other serious injuries. Use two hands to**

operate the trimmer and hold the unit below waist level. To best ensure that debris is thrown away from your body, work only from the right to left. For optimal trimming and edging results while maintaining comfort, keep the trimmer head parallel to the ground when trimming (perpendicular, when edging). When trimming be sure to keep sufficient distance between the cutting line and the ground.

 **WARNING: Before operating, make sure both trimmer lines are extended. When trimming, make sure motor is running at full speed.**

 **WARNING:** Use only 0.065" (1.65 mm) diameter cutting line. Other line sizes will not properly feed in the trimmer head and could cause serious injury. Never use other materials such as wires, string or rope, as this may break off during cutting and cause serious injury.

1) TRIMMING (See Fig. I)

Hold the bottom of the trimmer head about 8 cm above the ground and at an angle. Allow only the tip of line to make contact. Do not force trimmer line into work area.

2) EDGING (See Fig. J)

To edge, rotate the shaft 180°. Place trimmer head above the surface you are going to edge, as shown in Fig. J.

While edging, allow the tip of the line to make contact. Do not force the line. Take extra caution while edging as objects can be thrown from the trimmer line.

3. AUTOMATIC LINE FEED SYSTEM

When initially switching on the trimmer, a small length of line is fed out.

A 'clattering' noise will be heard for a short time. This is normal and is caused by the line being cut by the line cutter. Once the line is cut to the correct length, the 'clattering' noise will stop and the trimmer motor will run at full speed.

To feed more line, stop the trimmer completely, then restart, allowing the motor to reach full speed. Repeat this until you hear the 'clattering' noise of the line cutting. (Do not repeat this procedure more than 6 times)

4. MANUALLY FEEDING THE LINE (See Fig. K, L)

Press and release manual line feed button (13), whilst gently pull out the lines until the lines reaches the line cutter.

When the required amount of line is fed out, gently pull on the second line (there is no need to press the manual line feed button again). If the line extends past the line cutter, too much line has been fed out.


If too much line is fed out, remove the spool cap and click the spool anti-clockwise until the line is at the desired length.

Removing the Cap (See Fig. M, N)

Press and hold in the two latches (15). Pull cap away from the spool holder. Keep the cap and spool holder clean from debris. To replace the cap, press it firmly towards the spool holder. Ensure that it is correctly connected by trying to remove it without depressing the two latches.

Changing the Line Spool

First take off the cap and remove the old spool. Place new spool into cutting head. Feed one line through the eyelet, then repeat for second line. (See Fig. O) Release line from cleat on the Spool. Reattach the cap.

 **WARNING! Your Trimmer is designed to only use line with a maximum diameter of 0.065". Only use nylon line. IMPORTANT - Always wind the line onto the upper section of the spool first.**

5. TO MANUALLY WIND LINE (See Fig. P, Q, R, S)

Take approximately 16ft (5m) line and insert 5/8" (15mm) of line into one of the holes in the upper section of the spool. (See Fig. P) Wind the line in the direction of the arrows on the top of the spool. (See Fig. Q, R) Leave approximately 4" (100mm) of line unwound and place it into the cleat. Repeat on the lower section of spool.

Care should be taken to ensure that the line is neatly coiled on the spool. (See Fig. S) Failure to do so will impair the efficiency of the automatic line feed.

Then fit the spool as described above in **"Changing the Line Spool"**.

MAINTENANCE

After use, disconnect the machine from the mains and check for damage. Your power tool requires no additional lubrication or maintenance. There are no user serviceable parts in your power tool. Mains powered trimmers should only be repaired by an authorised repairer use only manufacturers recommended replacement parts and accessories.

Never use water or chemical cleaners to clean your power tool. Wipe clean with a dry cloth. Always store your power tool in a dry place out of the reach of children. Keep the motor ventilation slots clean. Keep all working controls free of dust. If you see some sparks flashing in the ventilation slots, this is normal and will not damage your power tool.

CONSIGNES DE SÉCURITÉ



AVERTISSEMENT! Lors de

l'utilisation d'appareils électriques de jardinage, des précautions de base doivent être observées afin de réduire les risques de feu, choc électrique, et blessure grave, incluant ce qui suit :

AVERTISSEMENT ! Lisez toutes les instructions

AVERTISSEMENT : Ce produit peut vous exposer à des produits chimiques, incluant au plomb, au phtalate ou au bisphénol A, qui sont reconnus dans l'État de Californie comme pouvant causer un cancer, des anomalies congénitales ou d'autres dommages à l'appareil reproducteur. Assurez-vous de bien vous laver les mains après usage. Pour en savoir plus, veuillez consulter le site www.P65Warnings.ca.gov.

1. POUR TOUS LES APPAREILS ÉLECTRIQUES À DOUBLE ISOLATION

- a) Pièces de remplacement.** Lors de l'entretien de l'appareil, n'utilisez que des pièces identiques de remplacement.
- b) Connexions polarisées des appareils électriques.** Afin de réduire le risque de choc électrique, cet outil a une fiche de connexion polarisée (une des lames est plus large que l'autre) et requiert l'utilisation d'une rallonge électrique polarisée. La fiche de l'appareil s'accouple seulement dans un sens avec une rallonge électrique polarisée. Si la fiche ne s'accouple pas complètement avec la rallonge électrique, tournez la fiche. Si la fiche ne s'accouple toujours pas, utilisez une rallonge électrique polarisée. Une rallonge électrique polarisée nécessite une prise murale polarisée. Cette fiche entre seulement d'une seule façon à la prise murale polarisée. Si la fiche ne rentre pas complètement dans la prise murale, tournez la fiche. Si la fiche ne rentre toujours pas, contactez un électricien qualifié afin d'installer une prise murale appropriée. Ne changez pas la fiche de l'équipement, ou l'une des fiches de la rallonge électrique, de quelque façon que ce soit.

GARDEZ CES INSTRUCTIONS

2. POUR TOUS LES APPAREILS

- a) Évitez les environnements dangereux.** N'utilisez pas les appareils dans des environnements très humides ou mouillés.
- b) N'utilisez pas sous la pluie.**
- c) Tenez les enfants éloignés.** Tous les visiteurs devraient se tenir éloignés de l'aire de travail.
- d) Habillez-vous convenablement.** Ne portez pas des vêtements lâches ou des bijoux. Ils peuvent se prendre dans les pièces en mouvement. L'utilisation de gants de caoutchouc et chaussures épaisses est recommandée lors de travaux extérieurs. Portez une protection pour cheveux afin de contenir les cheveux longs.
- e) Utilisez des lunettes de sécurité** Toujours porter un masque pour le visage ou pour la poussière si l'opération est poussiéreuse.
- f) Utilisez le bon appareil.** N'utilisez pas l'appareil pour tout autre travail que pour celui auquel il est destiné.
- g) Un disjoncteur différentiel devrait être utilisé sur le(s) circuit(s) et prise(s) murale(s) destinée(s) à l'appareil de jardinage. Des prises de défaut à la terre sont disponibles et peuvent être utilisées également.**
- h) AVERTISSEMENT !** Afin de réduire le risque de choc électrique, utilisez seulement avec une rallonge électrique destinée à un usage extérieur, tel que les rallonges de types SW-A, SOW-A, STW-A, STOW-A, SJW-A, SJOW-A, SJTW-A. ou SJTOW-A.
- i) Rallonge électrique !** Assurez-vous que votre rallonge électrique est en bon état. Lorsque vous utilisez une rallonge électrique, assurez-vous qu'elle puisse soutenir l'intensité du courant demandé par votre produit. Une rallonge électrique trop petite cause une baisse de la tension d'alimentation, entraînant une perte de puissance et une surchauffe. Le tableau 1 montre le calibre approprié en fonction de la longueur de la rallonge électrique et de l'ampérage indiqué sur la plaque signalétique. Dans le doute, utilisez le calibre supérieur. Plus le calibre est petit, plus la rallonge électrique est grosse. Afin de réduire le risque de déconnexion de l'appareil et de la rallonge électrique alors qu'il est en fonction :
- i-1) Faites un nœud tel qu'illustré en Figure 1
- i-2) Utilisez une courroie de retenue ou les connecteurs décrits dans ce manuel.

j) Évitez les démarrages non intentionnels. Ne transportez pas les appareils alors qu'ils sont connectés et que vous avez le doigt sur le commutateur. Soyez certain que le commutateur est en position « OFF » lorsque connecté.

k) Ne soumettez pas le cordon d'alimentation électrique à des abus. Ne transportez jamais l'appareil par le cordon d'alimentation électrique et ne tirez pas d'un coup sec pour le déconnecter. Tenez le cordon d'alimentation électrique éloigné de la chaleur, de l'huile, et des arêtes tranchantes.

l) Ne saisissez pas les lames de coupe exposées ou les arêtes de coupe lorsque vous soulevez ou tenez l'appareil.

m) Ne forcez pas l'appareil. Il fera un meilleur travail et sera moins dangereux en travaillant à la charge pour laquelle il est conçu.

n) N'essayez pas d'utiliser l'appareil hors de votre portée normale. Gardez votre équilibre et les pieds bien ancrés au sol.

o) Restez alerte. Faites attention à ce que vous faites. Utilisez votre bon sens. N'utilisez pas l'appareil lorsque vous êtes fatigué.

p) Déconnectez l'appareil. Déconnectez l'appareil de l'alimentation électrique lorsqu'il n'est pas utilisé, avant d'en faire l'entretien, lors du changement d'accessoires tels que lames, et autres accessoires du même genre.

q) Entreposez à l'intérieur les appareils qui ne sont pas utilisés fréquemment. Lorsqu'inutilisés, les appareils devraient être entreposés à l'intérieur dans un endroit sec, élevé et gardé sous clef, hors de la portée des enfants.

r) Entretenez les appareils avec soin. Gardez les arêtes de coupe aiguisées et propres pour une meilleure performance et risque réduit de blessure. Suivez les instructions pour lubrifier et changer les accessoires. Inspectez le cordon d'alimentation électrique de l'appareil périodiquement, et si endommagé, faites le réparer par un dépôt de service autorisé. Inspectez les cordons prolongateurs périodiquement et remplacez si endommagés. Gardez les poignées sèches, propres, et libres d'huile et de graisse.

s) Vérifier les pièces endommagées. Avant d'employer l'appareil, une garde ou autre pièce endommagée devrait être

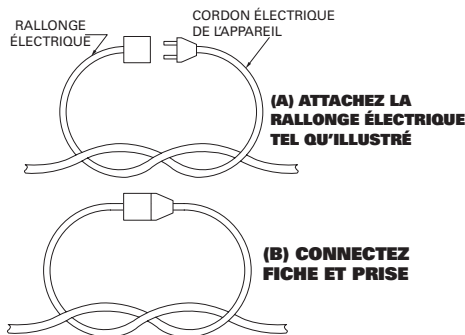
soigneusement vérifiée afin de déterminer qu'elle fonctionnera correctement et exécutera la fonction pour laquelle elle a été conçue. Vérifier l'alignement des parties mobiles, leur pincement, la brisure de pièces, montage, et toute autre condition qui peut affecter son opération. Une garde ou autre pièce endommagée devrait être correctement réparée ou remplacée par un centre de service autorisé à moins d'avis contraire ailleurs dans ce manuel.

GARDEZ CES INSTRUCTIONS

Table 1 Calibre minimum de la rallonge électrique

Tension électrique	Longueur totale de la rallonge électrique, en pieds			
	25	50	100	150
120V	25	50	100	150
240V	50	100	200	300
Ampérage supporté (A)	AWG			
0-6	18	16	16	14
6-10	18	16	14	12
10-12	16	16	14	12
12-16	14	12	Déconseillé	

Figure 1 Méthode pour sécuriser la rallonge électrique



3. SÉCATEURS À BORDURES

- Maintenez les gardes en place et en bon ordre de fonctionnement.**
- Gardez les lames aiguisées**
- Gardez les mains et les pieds hors de l'aire de coupe.**

4. Conservez ces instructions. Reportez-vous y fréquemment et utilisez-les pour

informer d'autres personnes qui pourraient utiliser cet outil. Si une autre personne utilise cet outil, assurez-vous de lui fournir ces instructions.

CONSERVEZ CES INSTRUCTIONS PRÉCAUTIONS SUPPLÉMENTAIRES POUR L'UTILISATION DU COUPE-BORDURES

1. Gardez les carters en place et en bon état de fonctionnement.
2. N'UTILISEZ JAMAIS cet appareil SANS que le dispositif de protection ne soit en place.
3. Gardez les mains et les pieds éloignés de la zone de coupe.
4. N'utilisez pas de fils plus épais que ceux recommandés dans ce manuel.
5. N'utilisez pas d'autres types de matériaux pour les fils- par exemple, fil métallique, corde, etc.

GARDEZ CES INSTRUCTIONS

SYMBOLES



Avertissement



Lisez le manuel



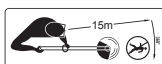
un protecteur oculaire et



Portez une protection auditive



Pour éviter tout choc électrique, n'utilisez pas dans un environnement humide ou mouillé



Éloignez les curieux, les enfants, les animaux et les spectateurs à au moins 15 mètres (50 pieds) de la zone de travail, arrêtez immédiatement le taille-bordure lorsque quelqu'un s'approche de vous.



Éteignez l'alimentation! Retirez la fiche électrique de l'alimentation avant d'effectuer un réglage, un nettoyage ou si le câble est pris ou endommagé.



Double isolation

DONNÉES TECHNIQUES

Tension	120V ~ 60Hz
Ampérage nominal	5.5A
Vitesse à vide	7500/min
Diamètre de coupe	380mm (15po)
Diamètre de cordon de coupe	1.65mm (0.065po)
Longueur des fils de découpe	2x5m (2x16')
Poids	2.7kg (6.0lbs)
Double isolation	<input type="checkbox"/> /II

ACCESSOIRES

Protection des fleurs	1
Poignée auxiliaire	1
Garde de sécurité	1
Bobine (WA0007)	1

Nous vous recommandons d'acheter tous vos accessoires du même magasin qui vous a vendu l'outil. N'utilisez que des accessoires de bonne qualité de marque renommée. Choisissez le type d'outil approprié au travail que vous désirez entreprendre. Pour de plus amples renseignements, consultez l'emballage de l'accessoire. Le personnel du magasin peut également vous conseiller.

1. INTERRUPTEUR D'ALIMENTATION

2. POIGNÉE AUXILIAIRE

3. MÉCANISME DE BLOCAGE DE LA ROTATION DE LA POIGNÉE

4. MÉCANISME DE VERROUILLAGE DE LA ROTATION DE LA TÊTE

5. TUBE TÉLESCOPIQUE

6. BOUTON DE RÉGLAGE DE LA TÊTE

7. ROUE DE COUPE-BORDURES

8. PROTECTION DES FLEURS

9. ASSEMBLAGE DE LA TÊTE DE COUPE

10. GARDE DE SÉCURITÉ

11. RÉDUCTEUR DE TENSION DU CÂBLE

12. COUPE-FIL (Voir Fig. B)

13. BOUTON D'ALIMENTATION DU CORDON DE COUPE (VOIR FIG. K)

14. COUVERCLE DE LA TÊTE DE COUPE (Voir Fig. L)

15. MÉCANISME DE DÉVERROUILLAGE DU COUVERCLE(Voir Fig. L)

16. BOBINE(Voir Fig. L)

17. TÊTE DE COUPE(Voir Fig. L)

18. OEILLET(Voir Fig. L)

Les accessoires illustrés ou décrits ne sont pas tous compris dans le cadre de la livraison standard.

INSTRUCTIONS D'UTILISATION



REMARQUE: Avant d'utiliser cet outil, assurez-vous de lire attentivement le manuel d'utilisation.

ASSEMBLAGE / RÉGLAGE



AVERTISSEMENT! La garde doit toujours être installée sur l'outil pour protéger l'utilisateur.

1. INSTALLATION DU GUIDE DE BORDURE (Voir Fig. A,B)

1) Débranchez la taille-bordure de son alimentation électrique.



AVERTISSEMENT! Retirez la prise de la prise murale avant d'effectuer n'importe quel travail de réglage, de réparation ou d'entretien.

2) Localisez et retirez les vis dans la base de la tête. Glissez la garde de sécurité sur la tête de coupe en employant les cannelures de la tête de coupe. Aligner la garde pour qu'elle se glisse dans les orifices situés sur le coupe-herbe. Sécurisez la garde de sécurité en utilisant la vis fournie à cet effet, localisé à l'intérieure de la garde.



AVERTISSEMENT! Faites très attention en suivant cette étape car la bordure du guide est très affûtée.

2. ASSEMBLAGE DE LA POIGNÉE AUXILIAIRE (Voir Fig. C1)

REMARQUE : Utilisez toujours la poignée avant.



AVERTISSEMENT ! Retirez la prise de la prise murale avant d'effectuer n'importe quel travail de réglage, de réparation ou d'entretien.

- 1) Débranchez la taille-bordure de son alimentation électrique.
- 2) Dévissez le bouton de serrage de la poignée auxiliaire (dans le sens anti-horaire) et retirez-le.
- 3) Placez la poignée auxiliaire sur le support situé sur la partie supérieure du taille-bordure (voir Fig. C1).
- 4) Insérez le bouton et la vis à travers la

poignée auxiliaire et le manche et serrez le bouton (dans le sens horaire). (voir Fig. C1) Ne serrez pas complètement tant que vous n'avez pas réglé la poignée auxiliaire à la position de travail souhaitée.

3. RÉGLAGE DE LA POIGNÉE AUXILIAIRE

- 1) Le support de la poignée auxiliaire peut être déplacé vers le haut ou vers le bas sur le manche et la poignée auxiliaire peut être déplacée vers l'avant ou vers l'arrière dans 5 positions de blocage (voir Fig. C2).
- 2) Lorsque la poignée est dans la position désirée, tournez et serrez le bouton fermement.

4. RÉGLAGE DE LA HAUTEUR (Voir Fig. D)

- 1) Débranchez la taille-bordure de la prise de courant.
- 2) Pour ajuster la longueur du manche pour obtenir la bonne hauteur, tenez la partie supérieure comme l'indique la Fig. D, pressez sur la bride inférieure avec votre pouce et tirez la partie inférieure avec l'autre main jusqu'à ce que vous obteniez la hauteur désirée. Relâchez la pression pour verrouiller le manche en place.

5. RÉGLAGE DE L'ANGLE DE COUPE (Voir Fig. E)

Votre taille-bordure est équipé d'une tête inclinable à 4 positions qui s'ajuste facilement à l'angle de travail désiré pour un confort optimaux. Pour ajuster l'angle de la tête de coupe :

- 1) Débranchez la taille-bordure de son alimentation électrique.
- 2) Appuyez sur le bouton de réglage de la tête de coupe sur le carter du moteur (voir fig. E).
- 3) Déplacez la tête de coupe sur l'un des quatre angles et relâchez le bouton. Vous entendrez un dé clic une fois la tête en position. Réajustez l'angle sur une position plus confortable au besoin.



AVERTISSEMENT: Débranchez toujours la taille-bordure avant de faire un réglage!

6. FAITES PIVOTER LA POIGNÉE ARRIÈRE ET LE MANCHE SUPÉRIEUR DE 180° (Voir Fig. F)

- 1) Débranchez la taille-bordure de la prise de courant.
- 2) Pour tourner la partie supérieure du manche de 180°, tenez la partie inférieure comme l'indique la Fig. F, tirez la bride supérieure avec l'autre main et pivotez la partie supérieure de 180°. Relâchez la pression pour verrouiller le manche en place.

7. CHOISISSEZ UNE RALLONGE ÉLECTRIQUE

 **AVERTISSEMENT!** N'utilisez qu'une rallonge répondant aux besoins de l'appareil.

Grosueur minimum de fil cordons prolongateurs

Longueur totale du cordon prolongateur, en pieds	Jauge
7,5m (25 pi)	18 Jauge
15m (50 pi)	16 Jauge
30m (100 pi)	16 Jauge

Il est possible d'acheter une rallonge électrique pour cet appareil.

8. CORDON EN TIRE-BOUCHON (Voir Fig. G1 et G2)


Votre taille-bordure est équipé d'un cordon électrique en tire-bouchon d'une longueur de 12 pouces. Ce cordon électrique doit être connecté à une rallonge appropriée. Faites une boucle dans la rallonge. Poussez la boucle à travers le trou dans la poignée (voir Fig. G1). Attachez la boucle autour du crochet de retenue du câble. Branchez le cordon du taille-bordure dans la prise de la rallonge (voir Fig. G2).

UTILISATION


1. GÂCHETTE « ON/OFF » (Voir Fig. H)


Pressez et tenez la gâchette pour opérer le


sécateur. Relâchez pour arrêter

 **AVERTISSEMENT:** La tête de coupe continue de tourner après que le sécateur à été commuté à « OFF ». Attendez qu'il arrête avant de le déposer par terre.

2. FAIRE FONCTIONNER VOTRE OUTIL

 **AVERTISSEMENT :** Toujours porter des lunettes de sécurité et des vêtements protecteurs afin d'éviter que des roches et débris vous frappent ou vous causent de sérieuses blessures. Utilisez vos deux mains pour opérer le sécateur et tenez l'unité en bas du niveau de votre taille. Afin de mieux assurer que les débris sont jetés loin de votre corps, travaillez seulement de droite à gauche. Pour des résultats optimaux de tonte et de bordures tout en gardant votre confort, gardez la tête de coupe parallèle au terrain lorsque vous tondez (perpendiculaire, lorsque pour des bordures). Lorsque vous tondez, assurez-vous de garder suffisamment de distance entre le cordon de coupe et le sol.

 **AVERTISSEMENT:** Avant d'opérer, assurez-vous que les deux cordons de coupe sont déployés. Lorsque vous tondez, assurez-vous que le moteur tourne à pleine vitesse.

 **AVERTISSEMENT:** Utilisez seulement un cordon de coupe de 0.065 po (1.65 mm) de diamètre. D'autres grosseurs de cordon de coupe ne feront pas correctement dans la tête de coupe et pourraient causer de sérieuses blessures. Ne jamais utiliser d'autres matériaux tels que fils, ficelle ou corde, parce qu'ils peuvent casser durant la tonte et causer de sérieuses blessures

1) TONTE (Voir Fig. I)

Tenez le bas de la tête de coupe approximativement 8 cm au-dessus du sol et à angle. Permettez seulement à la pointe du cordon de coupe de faire contact. Ne forcez pas le cordon de coupe dans l'aire de travail.

2) TONTE DE BORDURE (Voir Fig. J)

Pour tailler une bordure, tournez le manche de

180°. Placez ensuite la tête de coupe du taille-bordure au-dessus de la surface à tailler, tel qu'illustré sur la Fig. J.

Lors de la tonte de bordure, permettez à la pointe du cordon de coupe de faire contact. Ne forcez pas le cordon de coupe. Soyez extra vigilant lorsque vous tondez en bordure car des objets peuvent être jetés hors de la ligne de bordure.

3. SYSTÈME AUTOMATIQUE D'ALIMENTATION DU CORDON DE COUPE

Lorsqu'initialement vous démarrez le sécateur, une petite longueur de cordon de coupe est alimentée vers l'extérieur.

Un bruit de « clappement » va être entendu pour un court laps de temps. Cela est normal et est causé par le cordon de coupe en train d'être coupé par le coupeur de cordon de coupe. Une fois que le cordon de coupe est coupé à la bonne longueur, le bruit de clappement va cesser et le moteur du sécateur va tourner à pleine vitesse.

Pour donner plus de cordon de coupe, arrêtez complètement le sécateur, puis redémarrez, permettant au moteur d'atteindre sa pleine vitesse. Répétez cela jusqu'à ce que vous entendiez le bruit de « clappement » du coupage du cordon de coupe. Ne répétez pas cette procédure plus de 6 fois.

4. ALIMENTATION MANUELLE DU CORDON DE COUPE (Voir Fig. K)

Pressez et relâchez le bouton d'alimentation manuelle du cordon de coupe, tout en tirant doucement sur le cordon de coupe jusqu'à ce qu'il atteigne le coupeur de cordon de coupe. Lorsque la quantité voulue de cordon de coupe est sortie, tirez doucement sur le deuxième cordon de coupe (il n'est pas nécessaire d'appuyer à nouveau sur le bouton d'alimentation manuelle du cordon de coupe). Si le cordon de coupe dépasse le coupeur de cordon de coupe, trop de cordon de coupe a été sorti.


Si trop de cordon de coupe est sorti, enlevez le couvercle de la bobine et cliquez la bobine en sens inverse des aiguilles d'une montre, jusqu'à ce que le cordon de coupe soit à la longueur désirée.

Enlèvement du couvercle (Voir Fig. M,N)

Appuyez et tenez les deux verrous (15). Enlevez le couvercle du support de la bobine. Gardez le couvercle et le support de la bobine libres de débris. Pour remettre le couvercle, pressez-le fermement vers le support de la bobine.

Changement de la bobine du cordon de coupe

En premier enlevez le couvercle et retirez la vieille bobine. Placez la nouvelle bobine dans la tête de coupe. Passez un cordon de coupe au travers de l'œillet, puis répétez pour le deuxième cordon de coupe. (Voir Fig. O) Libérez la ligne de l'encoche de rétention sur la bobine. Rattachez le couvercle.

 **AVERTISSEMENT ! Votre sécateur est conçu pour utiliser seulement un cordon de coupe ayant un diamètre de 0.065". Utilisez seulement du cordon de coupe en nylon.**

IMPORTANT - Toujours embobiner le cordon de coupe sur la section supérieure de la bobine en premier lieu.

5. POUR EMOBINER LE CORDON DE COUPE MANUELLEMENT

(Voir Fig. P,Q,R,S)

Prenez approximativement 16 pieds (5 m) de cordon de coupe et insérez 3/5 po (15 mm) de cordon de coupe dans un des trous situés à la section supérieure de la bobine. (Voir Fig. P) Embobinez le cordon de coupe dans la direction des flèches situées sur le dessus de la bobine. (Voir Fig. Q,R)

Laissez approximativement 4 po (100 mm) de cordon de coupe et placez-le dans le serre-cordon. Répétez pour la section inférieure de la bobine.

Assurez-vous que le cordon de coupe est bobiné avec soins sur la bobine. (Voir Fig. S) Un manque à faire cela va altérer l'efficacité du fournisseur automatique de cordon de coupe. Ensuite installez la bobine tel que décrit précédemment dans « **Changement de la bobine de cordon de coupe** ».

ENTRETIEN

Après usage, déconnectez la machine de l'alimentation et examinez-la afin de déterminer si elle a des dommages. Votre outil électrique ne requiert pas de lubrification additionnelle ou entretien. À l'intérieur de votre outil électrique, il n'y a pas de pièces qui peuvent être entretenues par l'utilisateur. Les sècheurs électriques devraient être réparés seulement par un dépôt de service qualifié utilisant seulement des pièces et accessoires recommandés par le fabricant.

Ne jamais utiliser d'eau ou des nettoyants chimiques pour nettoyer votre outil. Nettoyez à propre avec un linge sec. Toujours entreposer votre outil électrique dans un endroit sec hors d'atteinte des enfants. Gardez les fentes de ventilation du moteur propres. Gardez tous les contrôles de l'appareil libres de poussière. Si vous voyez des étincelles au travers de fentes de ventilation, cela est normal et n'endommagera pas votre outil électrique.

INSTRUCCIONES DE SEGURIDAD



¡ADVERTENCIA! Cuando se emplean herramientas eléctricas para jardinería, siempre deben seguirse ciertas pautas básicas de seguridad a fin de reducir el riesgo de incendio, descarga eléctrica o lesión seria, incluyendo las siguientes:

¡ADVERTENCIA! Lea y comprenda todas las instrucciones.

ADVERTENCIA: Este producto puede exponerlo a químicos que incluyen plomo, ftalato, o bisfenol A que se sabe en el Estado de California que causan cáncer, defectos de nacimiento u otros daños reproductivos. Lave sus manos después de usarlo. Para más información visite www.PG5Warnings.ca.gov.

1. PARA TODAS LAS HERRAMIENTAS DE DOBLE AISLACIÓN

a) Piezas de repuesto.

Toda vez que efectúe un servicio técnico emplee piezas de repuesto idénticas.

b) Conexiones polarizadas de la herramienta.

Para reducir el riesgo de descarga eléctrica, esta herramienta posee un enchufe polarizado (un perno es más ancho que el otro) y requerirá el uso de un cable prolongador polarizado. El enchufe de la herramienta se inserta en el cable prolongador polarizado de un único modo. Si no encaja completamente, invierta el enchufe. Si aún así no se inserta, adquiera un prolongador polarizado adecuado. Este tipo de prolongadores requiere el uso de un tomacorriente polarizado. El enchufe del prolongador se inserta en el tomacorriente polarizado de un único modo. Si no encaja completamente, invierta el enchufe. Si aún así no se inserta, acuda a un electricista calificado para instalar el tomacorriente apropiado. Bajo ningún concepto cambie el enchufe del equipo ni el enchufe o el receptáculo del prolongador.

CONSERVE ESTAS INSTRUCCIONES

2. PARA TODAS LAS HERRAMIENTAS

a) Evite ambientes peligrosos. No utilice las herramientas en lugares húmedos o mojados.

b) No trabaje bajo la lluvia.

c) Mantenga alejados a los niños. Todos los visitantes deben mantenerse a distancia

del área de trabajo.

d) Vístase apropiadamente. No use ropas sueltas o alhajas, ya que pueden quedar atrapadas en las piezas móviles. Cuando se trabaja al aire libre se recomienda el uso de guantes de goma y calzado resistente. Emplee protección adecuada para contener el cabello largo.

e) Utilice gafas de seguridad. Emplee siempre máscara para la cara o máscara anti-polvo en operaciones donde se emite mucho polvo.

f) Utilice la herramienta correcta. Emplee la herramienta únicamente para la finalidad para la cual fue diseñada.

g) La protección de interruptores de circuito con polo a tierra (GFCI) debe ser proporcionada en todos los circuitos o tomacorrientes a ser empleados para herramientas de jardinería. Se encuentran disponibles receptáculos con protección incorporada GFCI que pueden utilizarse para esta medida de seguridad.

h) ¡ADVERTENCIA! Para reducir el riesgo de descarga eléctrica, utilice únicamente cables prolongadores diseñados para uso al aire libre, del tipo SW-A, SOW-A, STW-A, STOW-A, SJW-A, SJOW-A, SJTW-A o SJTOW-A.

i) ¡Cable prolongador! Cerciórese de que su cable prolongador esté en buenas condiciones. Asegúrese de utilizar un prolongador lo suficientemente resistente como para soportar la corriente que requiere su producto. Un cable pequeño causará una caída de corriente en la línea de voltaje, dando por resultado recalentamiento y pérdida de potencia. La Tabla 1 muestra el calibre correcto a utilizar, dependiendo de la longitud del cable y del amperaje indicado en la placa de identificación. En caso de duda, utilice el tamaño mayor siguiente. Cuanto menor es el calibre, mayor es la capacidad del cable. A fin de evitar la desconexión del cable de la herramienta del prolongador durante el funcionamiento:

- i) Haga un nudo como se muestra en la Figura 1; ó
- ii) Utilice una de las bandas de sujeción del enchufe-receptáculo o conectores descritos en este manual.

j) Evite el arranque accidental. No transporte la herramienta enchufada con el dedo en el interruptor. Cerciórese de que el

interruptor esté apagado cuando enchufe la máquina.

- k) No abuse del cable.** Nunca transporte la herramienta por el cable ni tire de éste para desconectarla del tomacorriente. Proteja el cable del calor, el aceite y los bordes agudos.
- l) No toque las hojas o los bordes filosos expuestos al tomar o sostener la herramienta.**
- m) No fuerce la herramienta.** Hará un trabajo mejor y más seguro a la velocidad para la cual fue diseñada.
- n) No se extralimite.** Manténgase firme y con buen equilibrio en todo momento.
- o) Permanezca alerta.** Ponga siempre atención en lo que está haciendo. Utilice el sentido común. No opere la herramienta cuando esté cansado.
- p) Desconecte la herramienta.** Cuando no se encuentre en uso, antes de hacer mantenimiento o al cambiar accesorios tales como hojas de corte o similares, desenchufe la herramienta del tomacorriente.
- q) Guarde las herramientas que no usa en lugares cerrados.** Cuando no se encuentren en uso, las herramientas deben guardarse en un lugar seco, elevado o cerrado con llave, lejos del alcance de los niños.
- r) Mantenga la herramienta con cuidado.** Conserve los bordes cortantes limpios y bien afilados, a fin de obtener el mejor rendimiento y reducir los riesgos de lesiones. Siga las instrucciones para la lubricación y el cambio de accesorios. Examine periódicamente el cable de la herramienta y si está dañado hágalo reparar por un agente autorizado. Examine periódicamente los prolongadores y sustitúyalos si están dañados. Mantenga los mangos secos, limpios y libres de aceite y grasa.
- s) Verifique las piezas dañadas.** Las guardas protectoras u otras partes dañadas deben verificarse cuidadosamente antes de cualquier uso futuro de la herramienta, a fin de determinar si funcionarán correctamente y realizarán la función prevista. Compruebe que las piezas móviles se encuentren alineadas y correctamente ajustadas, que no haya rotura de piezas, de montaje o cualquier otra condición que pueda afectar su funcionamiento. Una guarda protectora u otra pieza que se encuentre dañada debe

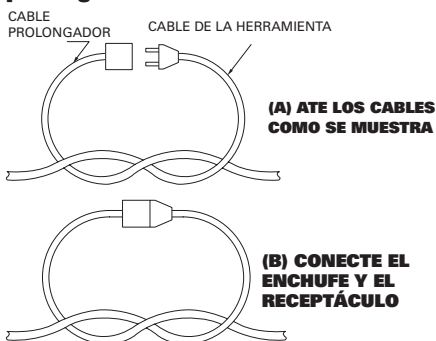
ser reparada o sustituida correctamente en un centro de servicio autorizado, a menos que en este manual de instrucciones se indique lo contrario.

CONSERVE ESTAS INSTRUCCIONES

Tabla 1 - Calibre mínimo para los cables prolongadores

Voltaje	Longitud total del cable en metros			
	25	50	100	150
120V	25	50	100	150
240V	50	100	200	300
Amperaje Mayor de - No Mayor de	AWG			
0-6	18	16	16	14
6-10	18	16	14	12
10-12	16	16	14	12
12-16	14	12	No recomendado	

Figura 1 Método para asegurar el cable prolongador



3. BORDEADORAS

- a) Mantenga la guardas protectoras en su lugar y en condiciones de funcionamiento.**
- b) Mantenga afiladas las hojas de corte.**
- c) Mantenga manos y pies lejos del área de corte.**

4. Conserve estas instrucciones.

Consúltelas con frecuencia y úselas para enseñarles a las otras personas que podrían usar esta herramienta. Si le presta esta herramienta a alguien, asegúrese de que tenga estas instrucciones.

INSTRUCCIONES DE SEGURIDAD INSTRUCCIONES DE SEGURIDAD ADICIONALES PARA LA CORTADORA DE CÉSPED

1. Mantenga las guardas en su ubicación y en condiciones de funcionamiento.
2. NO utilice este producto SIN la guarda instalada.
3. Mantenga las manos y pies alejados del área de corte.
4. No utilice líneas más gruesas que las recomendadas en este manual.
5. No utilice materiales de línea de otro tipo, como cable de metal, cuerda o elemento similar.

CONSERVE ESTAS INSTRUCCIONES

SÍMBOLOS



Advertencia



Lea el manual



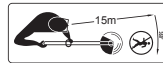
Emplee protección ocular



Emplee protección auditiva



Para evitar el riesgo de descarga eléctrica, no utilice en ambientes húmedos o mojados



Mantenga a todas las demás personas, incluyendo niños, animales y visitantes a 15 metros de la zona de peligro. Detenga inmediatamente la bordeadora si alguien se le aproxima.



¡Apague! Desenchufe la máquina antes de efectuar cualquier ajuste, limpieza, o si el cable está enredado o dañado.



Doble aislamiento

DATOS TÉCNICOS

Voltaje	120V ~ 60Hz
Corriente Nominal	5.5A
Velocidad sin carga	7500/min
Diámetro de Corte	15pulg.(380mm)
Diámetro del Hilo	0.065pulg. (1.65mm)
Longitud del hilo:	2x16' (2x5m)
Peso de la máquina	6.0lbs (2.7kg)
Doble Aislamiento	<input type="checkbox"/> /II

ACCESORIOS

Guarda para flores	1
Mango auxiliar	1
Guarda protectora de seguridad	1
Bobina (WA0007)	1

Recomendamos que usted compre todos los accesorios en el mismo lugar donde adquirió la herramienta. Use accesorios de buena calidad e identificados con una marca reconocida. Refiérase a la sección "consejos de trabajo" de este manual o al empaque del accesorio para más detalles. El personal de la tienda también puede ser de ayuda.

- 1. PALANCA DE ENCENDIDO**
- 2. MANGO AUXILIAR**
- 3. BOTÓN PARA EL AJUSTE DE ALTURA**
- 4. PALANCA DE AJUSTE DE ALTURA DEL MANGO**
- 5. MANGO TELESCÓPICO**
- 6. BOTÓN DE AJUSTE DEL CABEZAL DE CORTE**
- 7. TAPA DEL MOTOR DEL CABEZAL DE LA PODADORA**
- 8. GUARDA PARA FLORES**
- 9. CABEZA**
- 10. GUARDA PROTECTORA DE SEGURIDAD**
- 11. BOQUILLA DE GANCHO**
- 12. CUCHILLA DEL HILO (Ver Fig. B)**
- 13. BOTÓN DE ABASTECIMIENTO DEL HILO (VER FIG. K)**
- 14. CUBIERTA DEL CABEZAL DE CORTE (VER FIG. L)**
- 15. PESTILLO PARA EXTRACCIÓN DE LA TAPA (VER FIG. L)**
- 16. BOBINA (Ver Fig. L)**
- 17. CABEZAL DE CORTE (Ver Fig. L)**
- 18. OJAL (Ver Fig. L)**

No todos los accesorios ilustrados o descritos se incluyen junto con el producto estándar.

INSTRUCCIONES DE FUNCIONAMIENTO



NOTA: Antes de usar la herramienta, lea atentamente el manual de instrucciones

ENSAMBLE/ AJUSTES



NOTA: Mantenga las guardas protectoras en su lugar y en condiciones de funcionamiento.

1. CONEXIÓN DE LA GUARDA DE SEGURIDAD (Véase A & B)

- 1) Cuando no se encuentre en uso, antes de hacer mantenimiento o al cambiar accesorios tales como hojas de corte o similares



ADVERTENCIA: Extraiga el enchufe de la toma eléctrica antes de llevar a cabo cualquier reparación o ajuste.

- 2) Busque los tornillo que se encuentran en la base y extraiga los tornillo. Deslice la guarda de seguridad sobre el cabezal de corte empleando las ranuras del cabezal. Alinee la guarda de tal forma que se deslice por las ranuras ubicadas en el cabezal de la podadora. Ajuste la guarda de seguridad con el tornillo suministrado, localizado en el interior de la guarda.



PRECAUCIÓN: Mantenga manos y pies lejos del área de corte.

2. ENSAMBLE DEL MANGO AUXILIAR (Véase C1)

NOTA: Utilice siempre el mango auxiliar.



ADVERTENCIA: Extraiga el enchufe de la toma eléctrica antes de llevar a cabo cualquier reparación o ajuste.

- 1) Desconecte la cortadora de césped de la fuente de alimentación.
- 2) Desenrosque la perilla de apriete del mango auxiliar (hacia la izquierda) y extráigalo del mango.
- 3) Coloque el mango auxiliar en el conjunto del soporte del mango ubicado en el eje superior de la cortadora de césped (Véase C1)
- 4) Coloque la perilla y el tornillo a través del mango auxiliar y soporte, y apriete la perilla

(hacia la derecha). (Véase C1) No apriete por completo hasta que no haya ajustado el mango auxiliar en la posición de trabajo deseada.

3. AJUSTE DEL MANGO AUXILIAR (Véase C2)

- 1) Se puede mover hacia arriba o abajo en el eje el soporte del mango auxiliar. Además, se puede mover el mango auxiliar hacia delante o atrás en 5 posiciones de bloqueo diferentes (Véase C2).
- 2) Cuando el mango se encuentre en la posición deseada, gire la perilla y ajuste de forma segura.

4. AJUSTE DE LA ALTURA (Véase D)

- 1) Desconecte el podador de la fuente de alimentación.
- 2) Para ajustar la altura del eje, sostenga el eje superior tal como se muestra en la Fig. D, presione el cuello del botón con el pulgar, luego tire del eje inferior con la otra mano hasta alcanzar la altura deseada. Saque las manos para trabar el eje en su lugar.

5. AJUSTE DEL ÁNGULO DE CORTE (Véase E)

La cortadora de césped posee una cabeza de inclinación de 4 posiciones que se ajusta fácilmente al ángulo de trabajo deseado para una comodidad y control óptimos por parte del usuario. Para ajustar el ángulo de la cabeza de la cortadora de césped:

- 1) Desconecte la cortadora de césped de la fuente de alimentación.



ADVERTENCIA: Extraiga el enchufe de la toma eléctrica antes de llevar a cabo cualquier reparación o ajuste.

- 2) Presione el botón de ajuste de la cabeza de la cortadora de césped en el alojamiento del motor (Véase E)
- 3) Mueva la cabeza de la cortadora de césped hacia uno de los cuatro ángulos diferentes y suelte el botón.

La cabeza quedará asegurada en su posición. Vuelva a ajustar fácilmente el ángulo en una posición más cómoda y eficiente, según sea necesario.



ADVERTENCIA: El cabezal de corte sigue girando luego de que la bordeadora ha sido apagada; espere a que se haya detenido antes de soltar la

herramienta.

6. ROTACIÓN DE 180° DEL MANGO INFERIOR Y EJE SUPERIOR (Véase F)

- 1) Desconecte el podador de la fuente de alimentación.
- 2) Para girar el eje superior a 180°, sostenga el eje inferior tal como se muestra en la Fig. F, tire del cuello superior con la otra mano, luego gire el eje superior a 180°. Saque las manos para trabar el eje en su lugar.

7. CABLE PROLONGADOR

 **¡ADVERTENCIA!** Cerciórese de que su cable prolongador esté en buenas condiciones.

Calibre mínimo para los cables prolongadores

Longitud del cable de extensión	Calibre
25 Ft. (7.5m)	18 Calibre
50 Ft. (15m)	16 Calibre
100 Ft. (30m)	16 Calibre

Cuanto menor es el calibre, mayor es la capacidad del cable.

8. CABLE DE ALIMENTACIÓN FLEXIBLE (Véase G1,G2)


La cortadora de césped/bordeadora posee un cable de alimentación flexible de 12 pulgadas (30 cm). Se deberá conectar este cable a un cable de extensión adecuado. Realice un bucle en el cable de extensión. Haga pasar el bucle por el orificio ubicado en el mango (VÉASE G1). Sujete el bucle alrededor del gancho de sujeción del cable. Enchufe el cable de alimentación de la cortadora de césped al enchufe del cable de extensión (VÉASE G2)

INSTRUCCIONES DE FUNCIONAMIENTO


1. GATILLO DE ENCENDIDO/APAGADO (Véase H)


Para poner en funcionamiento la bordeadora, presione y sostenga el gatillo. Suéltelo para


apagar.

 **ADVERTENCIA:** El cabezal de corte sigue girando luego de que la bordeadora ha sido apagada; espere a que se haya detenido antes de soltar la herramienta.

2. FUNCIONAMIENTO

 **ADVERTENCIA:** Siempre use protección ocular y ropa resistente a fin de evitar golpes de piedras o desechos que podrían causarle lesión ocular u otras heridas serias. Utilice ambas manos para manejar la bordeadora y mantenga la unidad por debajo del nivel de la cintura. Trabaje únicamente de derecha a izquierda para asegurarse de que los desechos son arrojados lejos de Ud. Para un desmalezado y bordeado óptimos sin perder su comodidad, mantenga el cabezal de corte paralelo al suelo cuando efectúe desmalezado (perpendicular en operación de bordeado). Durante el desmalezado, asegúrese de mantener suficiente distancia entre el hilo de corte y el suelo.

 **ADVERTENCIA:** Asegúrese de que haya abastecimiento de los dos hilos antes del funcionamiento. Cerciórese de que el motor se encuentre a máxima velocidad durante el desmalezado.

 **ADVERTENCIA:** Emplee únicamente hilo de corte de 1,65 mm de diámetro. Otros tamaños no serán abastecidos apropiadamente en el cabezal de corte y podrían causar lesiones serias. Nunca emplee otros materiales tales como alambre, cordón o soga, ya que podrían romperse durante la operación de corte y causar lesiones serias.

1) DESMALEZADO(Véase I)

Sostenga la parte inferior del cabezal de corte en ángulo y a unos 8 cm por encima del suelo. Permita que sólo el extremo del hilo haga contacto. No fuerce el hilo de corte en el área de trabajo.

2) BORDEADO(Véase J)

Para bordear, rote el eje 180°. Coloque el

cabeza de la cortadora de césped por sobre la superficie que se bordeará, tal como se muestra en la Fig. J. Mientras esté bordeando, permita que el extremo del hilo haga contacto. No fuerce el hilo. Tome mayores precauciones cuando se encuentre en operación de bordeado, ya que ciertos objetos podrían ser arrojados desde el hilo de corte.

3. SISTEMA AUTOMÁTICO DE ABASTECIMIENTO DEL HILO

Cuando se enciende la cortadora se abastece una pequeña longitud de hilo.

Se escuchará un golpeteo durante unos segundos. Esto es normal y se produce cuando la cuchilla corta el hilo. Una vez que el hilo ha sido cortado a la longitud correcta, el golpeteo se detendrá y el motor de la bordeadora alcanzará la velocidad máxima. Para abastecer mayor longitud de hilo, detenga completamente la máquina y luego vuelva a arrancarla, dejando que el motor alcance la máxima velocidad. Reitere esta operación hasta escuchar el golpeteo producido por el corte del hilo (No repita este procedimiento más de 6 veces).

4. ABASTECIMIENTO MANUAL DEL HILO (Véase K,L)

Presione y afloje el botón de abastecimiento manual de hilo (13) mientras tira suavemente de los hilos hasta que estos lleguen a la cuchilla.

Cuando se ha abastecido la longitud requerida de hilo, tire suavemente del segundo hilo (no es necesario presionar nuevamente el botón de abastecimiento manual). Si el hilo se extiende más allá de la cuchilla, se ha suministrado demasiado.

En tal caso, retire la tapa de la bobina y mueva la bobina en sentido anti-horario hasta lograr la longitud de hilo deseada.

Remoción de la tapa (Véase M,N)

Presione y sostenga los dos pestillos (15). Retire la tapa del soporte de la bobina. Mantenga la tapa y el soporte de la bobina libres de desechos

Para volver a colocar la tapa presione firmemente en dirección al soporte de

la bobina. Verifique que la tapa quede correctamente instalada, tratando de retirarla sin presionar los dos pestillos.

Cambio de la bobina de hilo

Primeramente saque la tapa y retire la bobina vieja.

Coloque la nueva bobina en la cabeza de corte. Abastezca hilo a través del ojal y luego repita el procedimiento con el segundo hilo. (Véase O) Suelte la línea de la atadura en el Carretel.

Reinstale la tapa.



¡ADVERTENCIA! Su cortadora está diseñada para el empleo de hilos de un diámetro máximo de 1,65mm. Emplee hilo de nylon únicamente.

IMPORTANTE - Siempre enrolle el hilo comenzando por la parte superior de la bobina.

5. PARA ENROLLAR MANUALMENTE EL HILO (Véase P,Q,R,S)

Tome aproximadamente 5 metros de hilo e inserte 15 mm dentro de uno de los orificios de la parte superior de la bobina. (Véase P) Enrolle el hilo en la dirección de las flechas sobre la parte superior de la bobina. (Véase Q,R)

Deje aproximadamente 100 mm de hilo sin enrollar y colóquelos en el taco. Repita el procedimiento con la parte inferior de la bobina.

Debe ponerse especial cuidado en asegurarse de que el hilo esté prolijamente enrollado alrededor de la bobina. (Véase S) De lo contrario, se deteriorará la eficiencia del abastecimiento automático de hilo.

Luego instale la bobina tal como se describe más arriba en **“Cambio de la bobina de hilo”**.

MANTENIMIENTO

Luego del uso, desconecte la máquina del tomacorriente y verifique si hay daños.

Su herramienta eléctrica no requiere de lubricación ni mantenimiento adicional. No posee piezas en su interior que puedan ser reparadas por el usuario. Las cortadoras eléctricas deben ser reparadas exclusivamente por personal autorizado. Utilice repuestos y accesorios recomendados únicamente por el fabricante.

Nunca emplee agua o productos químicos para limpiar su herramienta. Use simplemente un paño seco. Guarde siempre su herramienta en un lugar seco y fuera del alcance de los niños. Mantenga limpias las ranuras de ventilación del motor. Mantenga todos los controles de funcionamiento libres de polvo.

La observación de chispas que destellan bajo las ranuras de ventilación indica operación normal que no dañará su herramienta.

WORX
it's your nature

www.worx.com

Copyright © 2017, Positec. All Rights Reserved.

Copyright © 2017, Positec. Tous droits réservés.

© Derechos reservados 2017, Positec. Todos los derechos reservados.

AR01145202