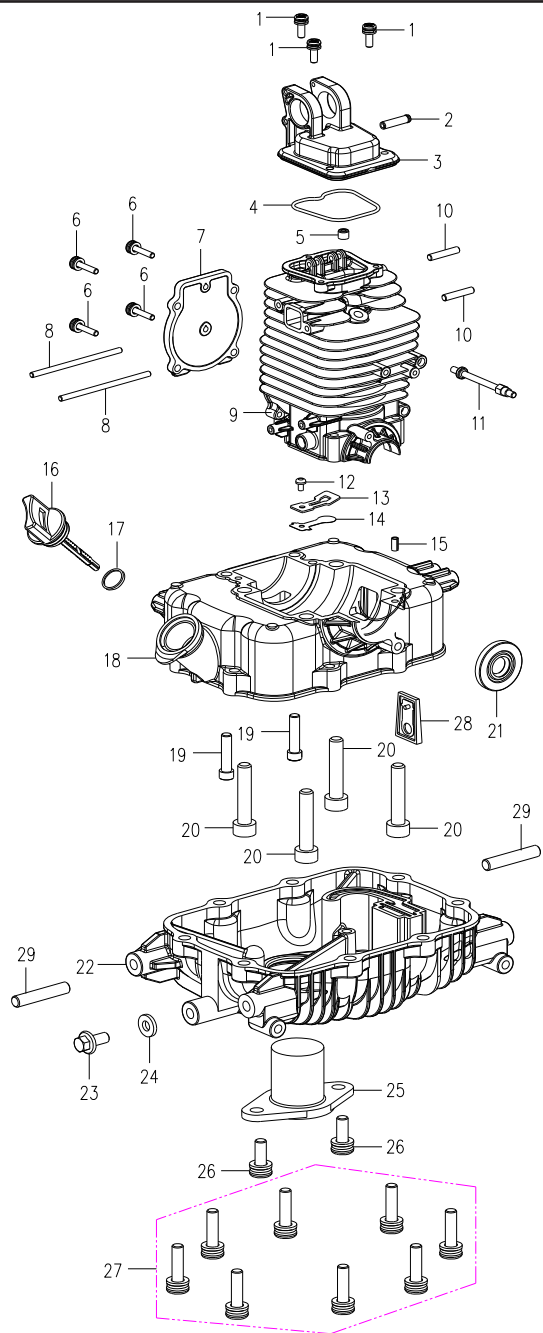


# **DESPIECE** **SPAREPARTS**

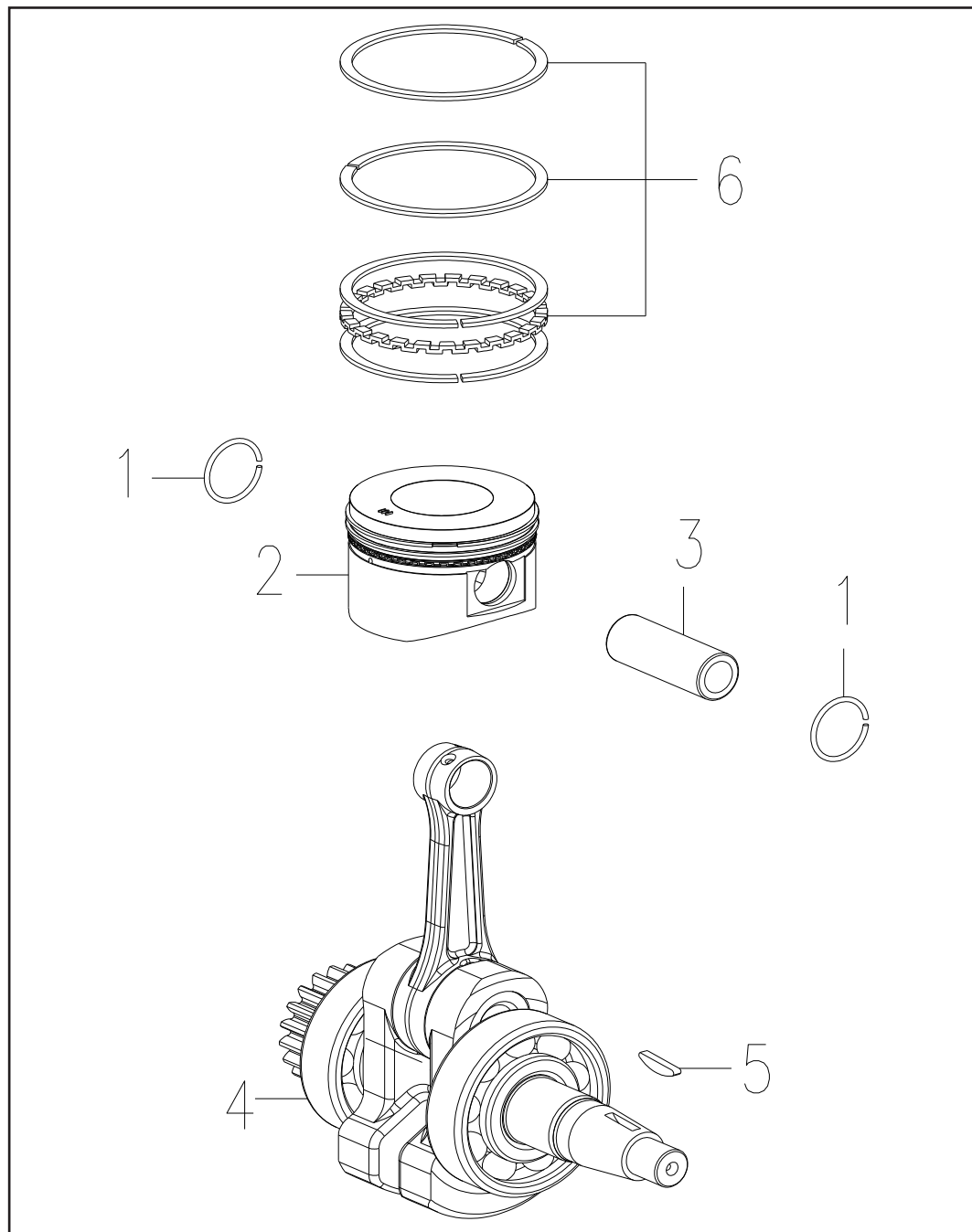
**GENERADOR INVERTER:  
BXGNI2200E**

**MOTOR: XY156F**

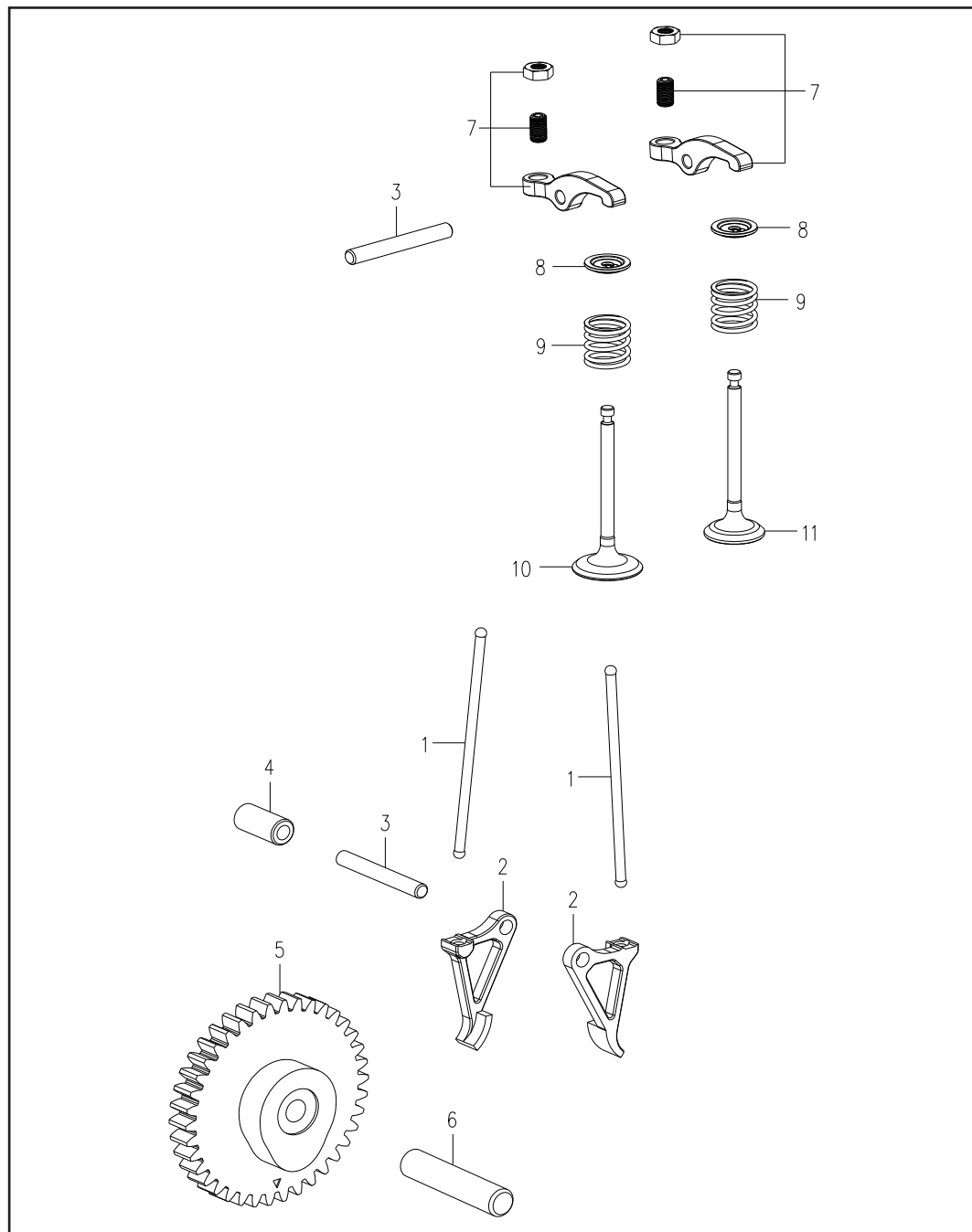




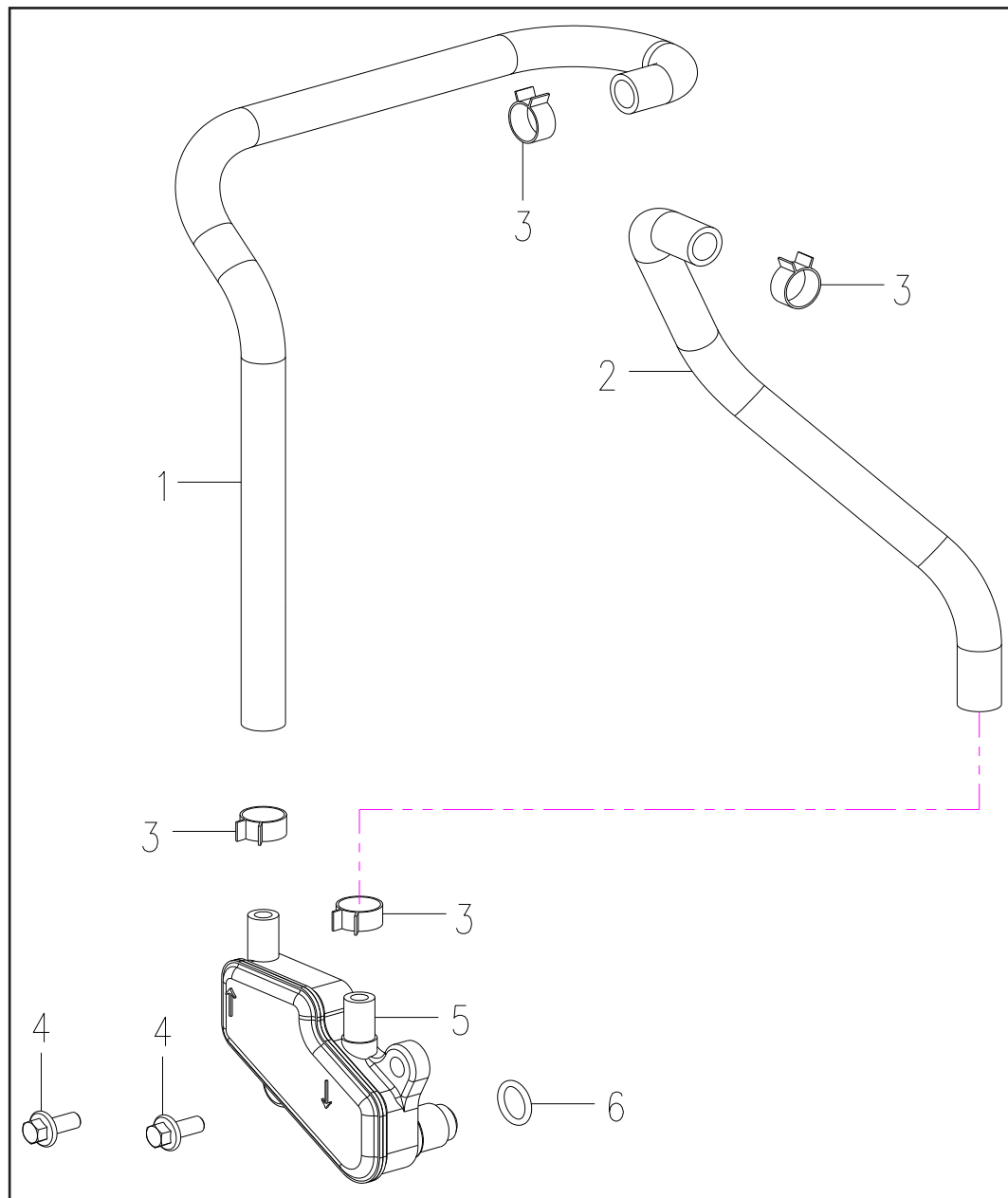
Nº	REF.	DESCRIPCIÓN (ES)	DESCRIPTION (EN)
1	SP-XY156F-A01	TORNILLO M6X9	HEXAGON FLANGE BOLTS M6X9
2	SP-XY156F-A02	BOQUILLA VENTILACION	VENTILATION NOZZLE
3	SP-XY156F-A03	TAPA VALVULAS	CYLINDER HEAD COVER
4	SP-XY156F-A04	JUNTA TAPA VALVULAS	CYLINDER HEAD COVER SEAL
5	SP-XY156F-A05	RETEN VALVULA	VALVE OIL SEAL COMPONENT
6	SP-XY156F-A06	TORNILLO M6X21	HEXAGON FLANGE BOLTS M6X21
7	SP-XY156F-A07	TAPA ALOJAMIENTO LEVAS	CAM CHAMBER COVER
8	SP-XY156F-A08	ESPARRAGO M5X100	STUD BOLT M5X100
9	SP-XY156F-A09	CILINDRO	CYLINDER HEAD
10	SP-XY156F-A10	ESPARRAGO M6X33	STUD BOLT M6X33
11	SP-XY156F-A11	ESPARRAGO	STUD BOLT FOR LOCATION
12	SP-XY156F-A12	TORNILLO M3X6	SCREW M3X6
13	SP-XY156F-A13	PLACA VALVULA	LIMITING BOARD
14	SP-XY156F-A14	VALVULA	VALVE PLATE
15	SP-XY156F-A15	TORNILLO GBT119_1-4X9	BOLT GBT119_1-4X9
16	SP-XY156F-A16	VARILLA NIVEL ACEITE	ENGINE OIL GAUGE
17	SP-XY156F-A17	TORICA 19X3,56	O RING 19X3.56
18	SP-XY156F-A18	BLOQUE MOTOR SUPERIOR	UPPER CRANKCASE
19	SP-XY156F-A19	TORNILLO GB/T70.1 M6X26	INNER HEXAGON SCREW GB/T70.1 M6X26
20	SP-XY156F-A20	TORNILLO GB/T70.1 M8X56	INNER HEXAGON SCREW GB/T70.1 M8X56
21	SP-XY156F-A21	RETEN Ø21XØ32X6	OIL SEAL Ø21XØ32X6
22	SP-XY156F-A22	BLOQUE MOTOR INFERIOR	LOWER CRANKCASE
23	SP-XY156F-A23	TORNILLO M6X13	FLANGE BOLT M6X13
24	SP-XY156F-A24	JUNTA DE ALUMINIO Ø6XØ13X3	ALUMINIUM GASKET Ø6XØ13X3
25	SP-XY156F-A25	SENSOR NIVEL ACEITE	OIL LEVER SENSOR
26	SP-XY156F-A26	TORNILLO M6X19	SCREW M6X19
27	SP-XY156F-A27	TORNILLO M6X26	FLANGE BOLTS M6X26
28	SP-XY156F-A28	VALVULA UNA VIA	ONE-WAY VALVE COMPONENTS
29	SP-XY156F-A29	ESPARRAGO M6X37	STUD BOLT M6X37



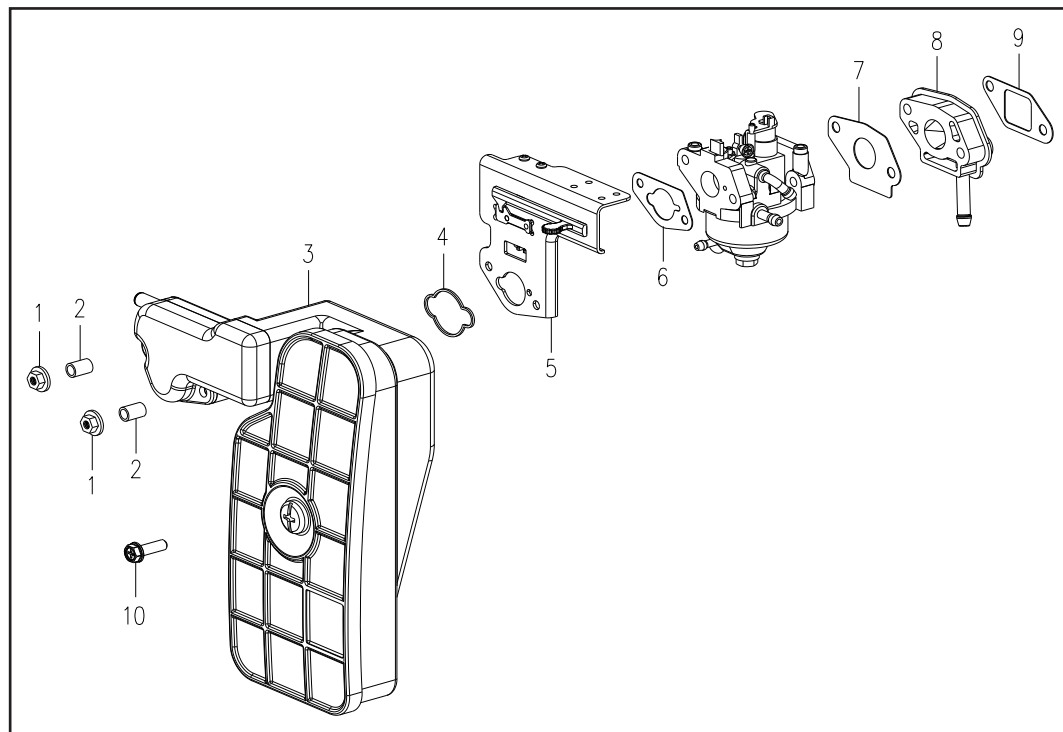
Nº	REF.	DESCRIPCIÓN (ES)	DESCRIPTION (EN)
1	SP-XY156F-B01	CLIP SUJECION BURLON	PISTON PIN CLIP
2	SP-XY156F-B02	PISTON	PISTION
3	SP-XY156F-B03	BURLON PISTON	PISTION PIN
4	SP-XY156F-B04	BIELA COMPLETA	CONNECTING ROD ASSY
5	SP-XY156F-B05	CHAVETA	WOODRUFF KEY
6	SP-XY156F-B06	JUEGO SEGMENTOS	PISTON RING ASSY



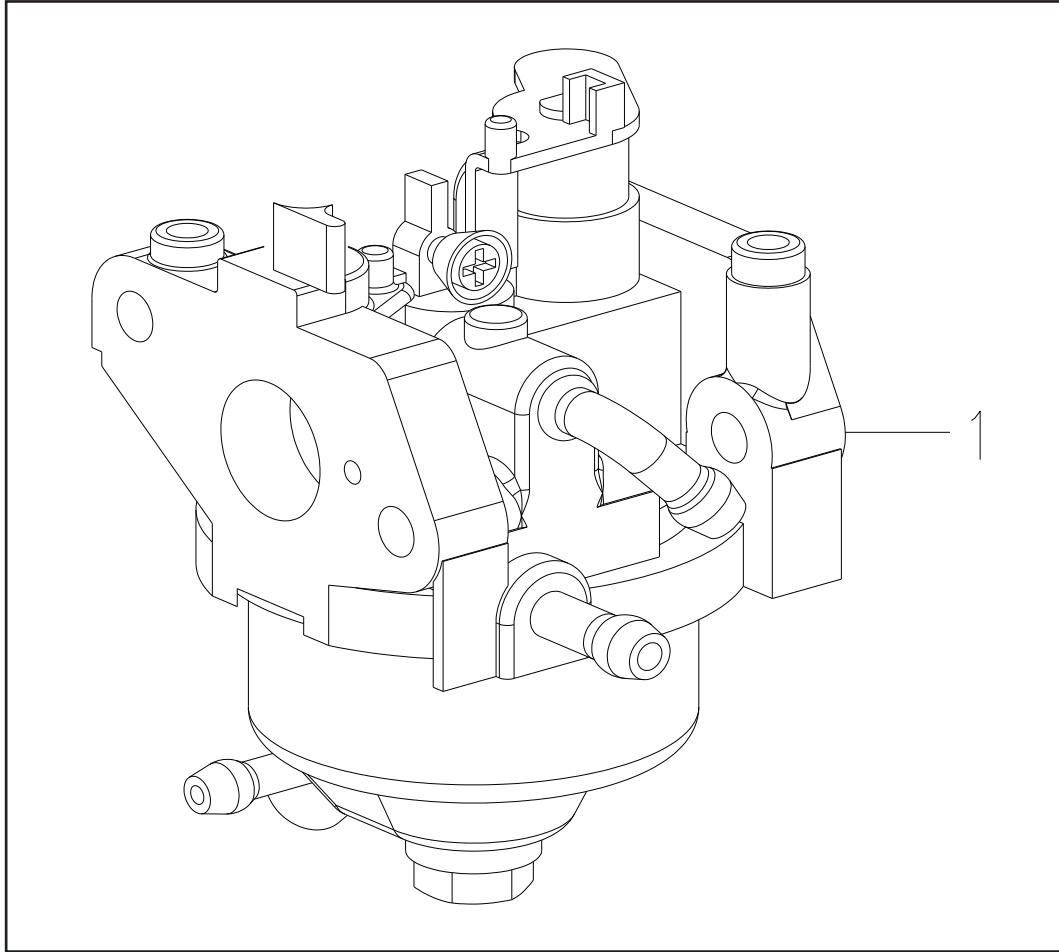
Nº	REF.	DESCRIPCIÓN (ES)	DESCRIPTION (EN)
1	SP-XY156F-C01	VARILLA EMPUJE	TAPPET
2	SP-XY156F-C02	BALANCIN INFERIOR	LOWER ROCKER
3	SP-XY156F-C03	PASADOR	PIN
4	SP-XY156F-C04	CASQUILLO BALANCINES	ROCKER BUSH
5	SP-XY156F-C05	ARBOL LEVAS	CAMSHAFT
6	SP-XY156F-C06	PASADOR	PIN
7	SP-XY156F-C07	BALANCIN SUPERIOR	UPPER ROCKER
8	SP-XY156F-C08	ASIENTO MUELLE VALVULA	VALVE SPRING SEAT
9	SP-XY156F-C09	MUELLE VALVULA	VALVE SPRING
10	SP-XY156F-C10	VALVULA ADMISION	INTAKE VALVE
11	SP-XY156F-C11	VALVULA ESCAPE	EXHAUST VALVE



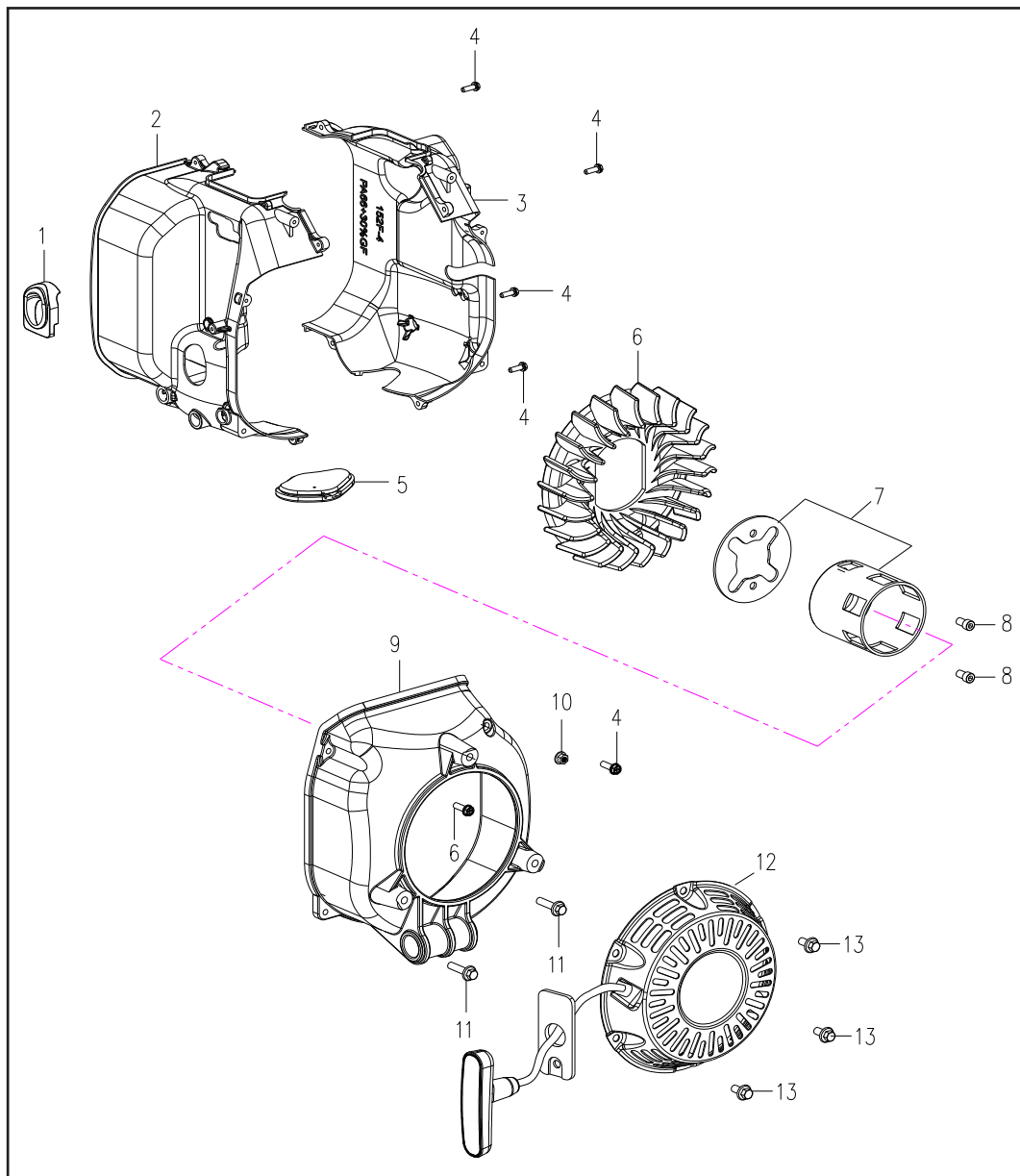
Nº	REF.	DESCRIPCIÓN (ES)	DESCRIPTION (EN)
1	SP-XY156F-D01	TUBO RESPIRADERO	RESPIRATORY TUBE
2	SP-XY156F-D02	TUBO SALIDA	OUTLET TUBE
3	SP-XY156F-D03	ABRAZADERA	PIPE HOOP 9
4	SP-XY156F-D04	TORNILLO M5X16	HEXAGON FLANGE BOLT M5x16
5	SP-XY156F-D05	DESVAORIZADOR	DEAERATOR
6	SP-XY156F-D06	TORICA	O RING



Nº	REF.	DESCRIPCIÓN (ES)	DESCRIPTION (EN)
1	SP-XY156F-E01	TUERCA M5	HEXAGON FLANGE BOLTS M5
2	SP-XY156F-E02	CASQUILLO FILTRO AIRE	AIR CLEANER BUSH
3	SP-XY156F-E03	FILTRO AIRE COMPLETO	AIR CLEANER ASSY.
4	SP-XY156F-E04	JUNTA FILTRO AIRE A	AIR CLEANER GASKET A
5	SP-XY156F-E05	ESTARTER AUTOMATICO	AUTOMATIC CHOKE
6	SP-XY156F-E06	JUNTA FILTRO AIRE B	AIR CLEANER GASKET B
7	SP-XY156F-E07	JUNTA CARBURADOR	CARBURETOR GASKET
8	SP-XY156F-E08	PLACA AISLANTE	INSULATION BOARD COMPONENTS
9	SP-XY156F-E09	JUNTA ADMISION	INSULATION GASKET
10	SP-XY156F-E10	TORNILLO ST4,8X16-F.H	TAP SCREW ST4,8X16-F.H

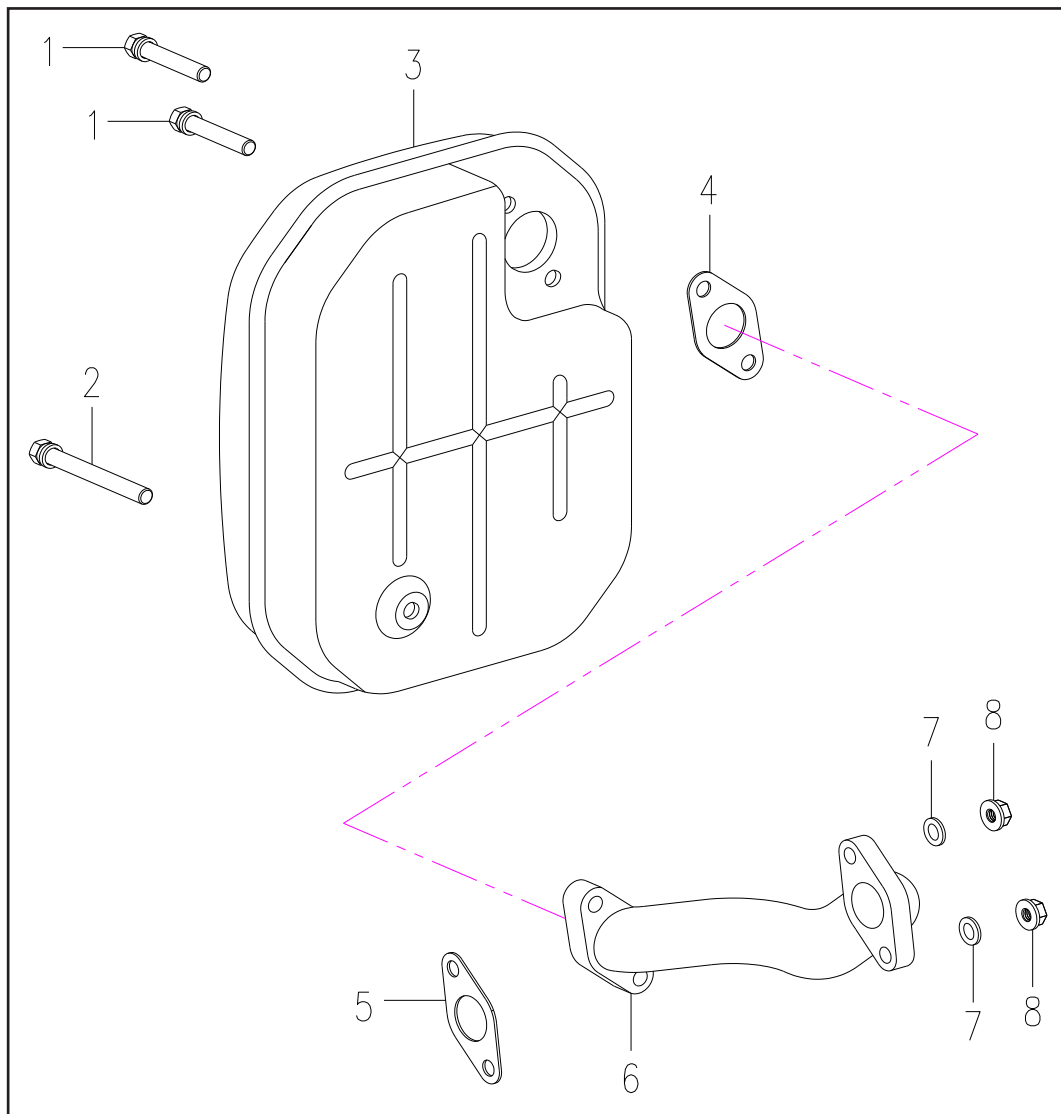


Nº	REF.	DESCRIPCIÓN (ES)	DESCRIPTION (EN)
1	SP-XY156F-F01	CARBURADOR	CARBURETOR ASSY.

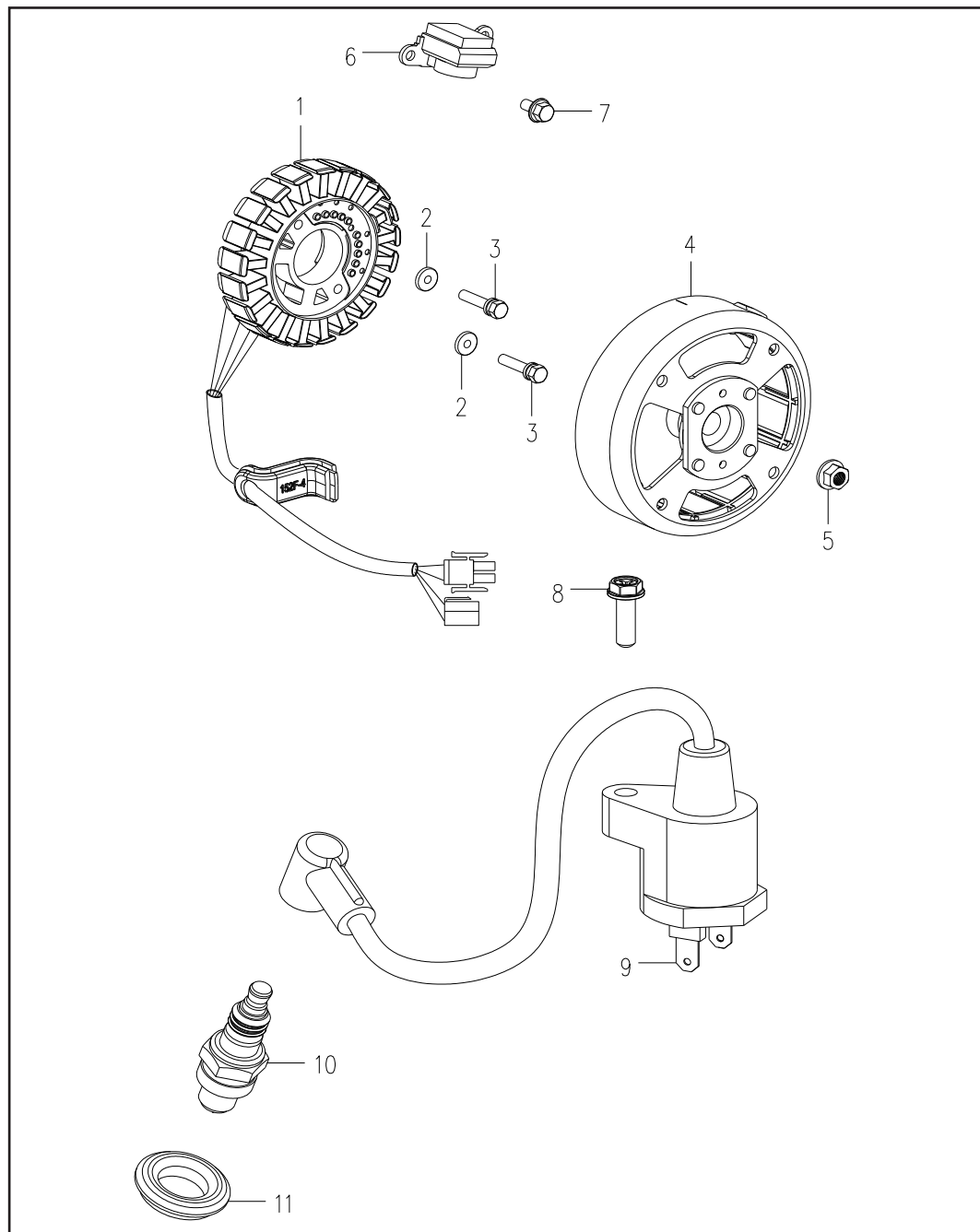


Nº	REF.	DESCRIPCIÓN (ES)	DESCRIPTION (EN)
1	SP-XY156F-G01	ALMOHADILLA LLENADO ACEITE	OIL FILLER HOLE AIRPROOF PAD
2	SP-XY156F-G02	CARCASA A	AIR GUIDE SLEEVE A
3	SP-XY156F-G03	CARCASA B	AIR GUIDE SLEEVE B
4	SP-XY156F-G04	TORNILLO ST4..8X16-F.H	TAP SCREW ST4.8X16-F.H
5	SP-XY156F-G05	TAPA DE GOMA	RUBBER COVER
6	SP-XY156F-G06	VENTILADOR	COOLING FAN
7	SP-XY156F-G07	ACOPLE ARRANCADOR	STARTING HUB
8	SP-XY156F-G08	TORNILLO M6X12	INNER HEXAGON SCREW M6X12
9	SP-XY156F-G09	CARCASA VENTILADOR	FAN VOLUTE
10	SP-XY156F-G10	TUERCA M5	HEXAGON FLANGE NUT M5
11	SP-XY156F-G11	TORNILLO M5X25	HEXAGON FLANGE BOLTS M5X25
12	SP-XY156F-G12	ARRANCADOR MANUAL	RECOIL STARTER PARTS
13	SP-XY156F-G13	TORNILLO M6X12	HEXAGON FLANGE BOLTS M6X12

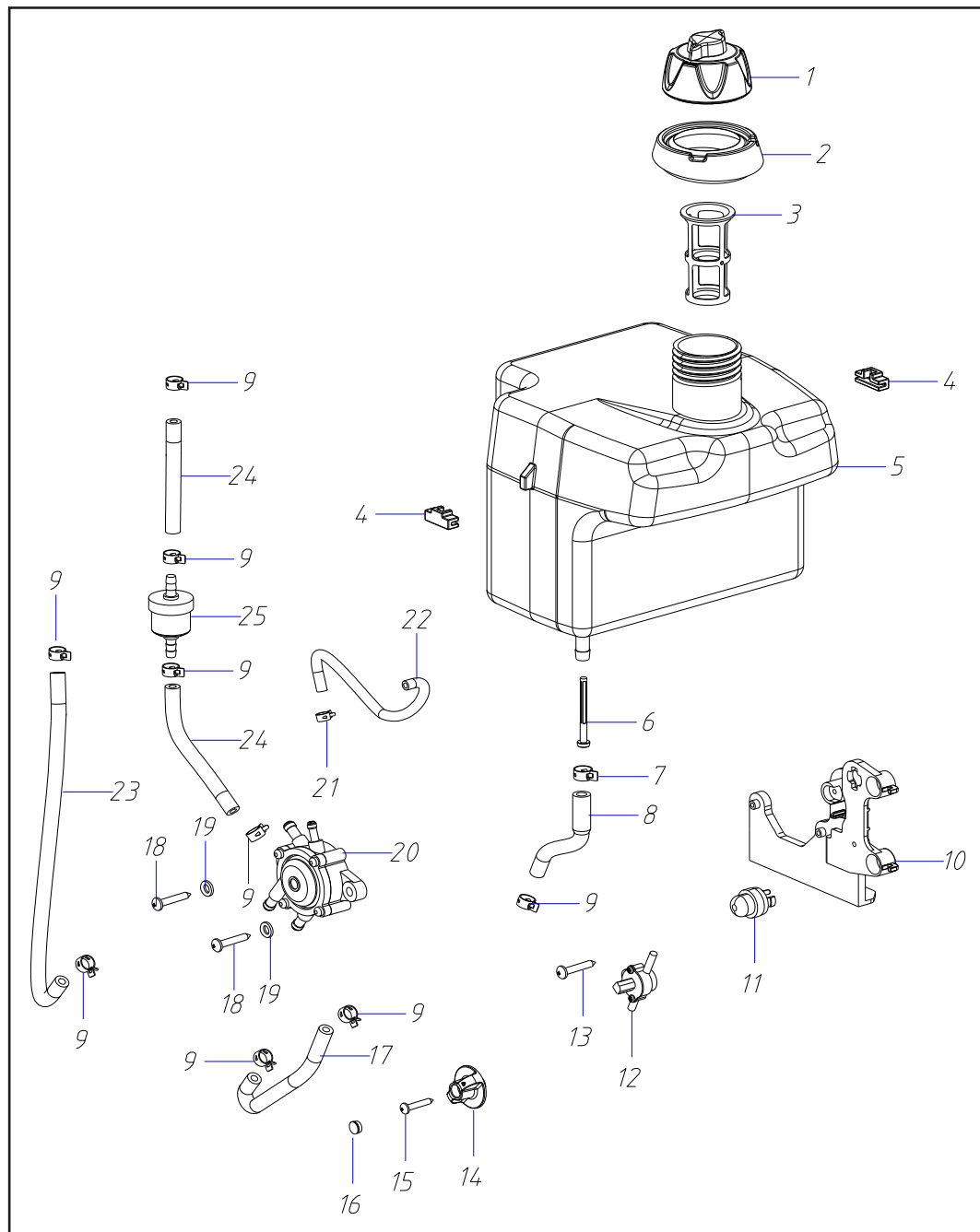




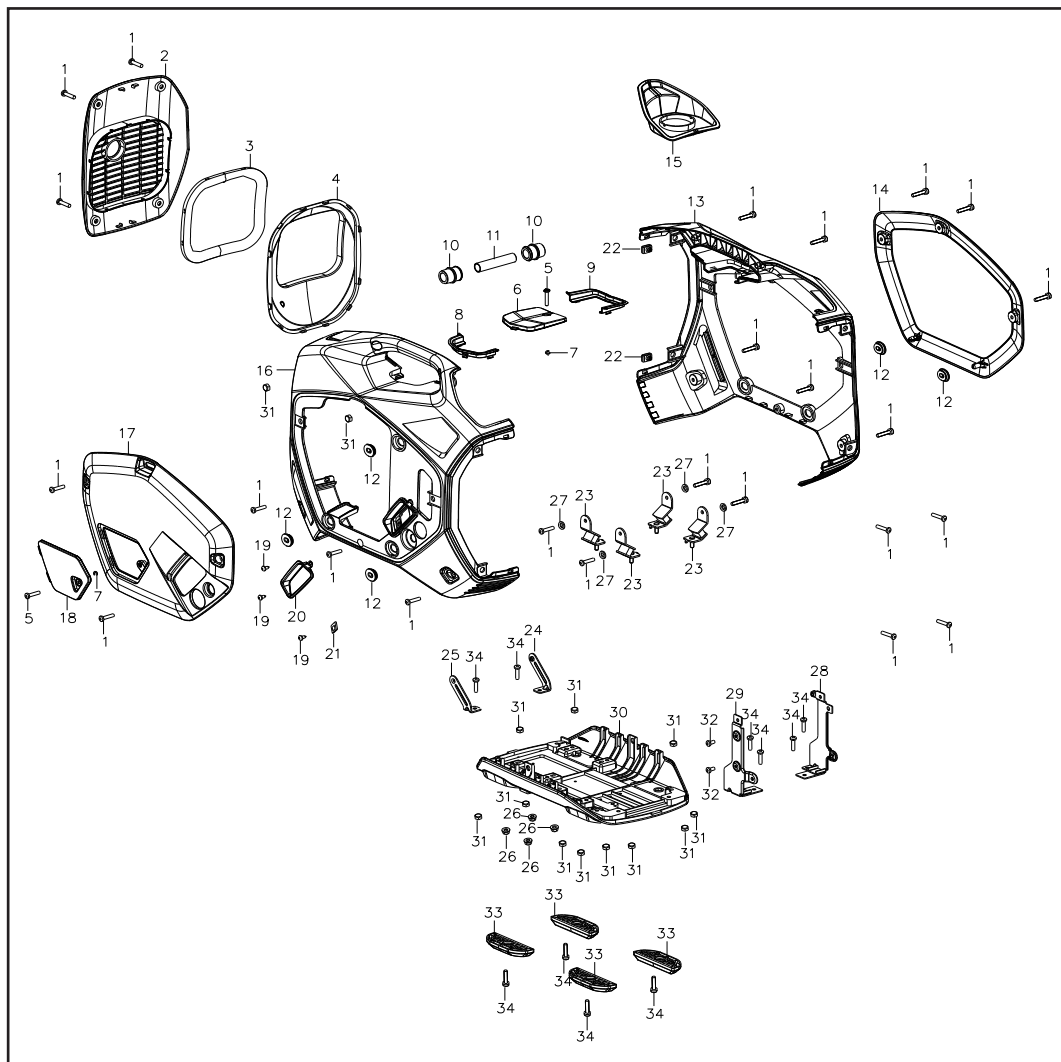
Nº	REF.	DESCRIPCIÓN (ES)	DESCRIPTION (EN)
1	SP-22i-H01	TORNILLO M6X50	BOLT M6X50
2	SP-22i-H02	TORNILLO M6X80	BOLT M6X80
3	SP-22i-H03	ESCAPE	MUFFLER ASSY.
4	SP-22i-H04	JUNTA ESCAPE	MUFFLER GASKET
5	SP-22i-H05	JUNTA TUBO ESCAPE	MUFFLER PIPE GASKET
6	SP-22i-H06	TUBO ESCAPE	MUFFLER PIPE
7	SP-22i-H07	ARANDELA Ø6	WASHER Ø6
8	SP-22i-H08	TUERCA M6	HEXAGON FLANGE NUT M6



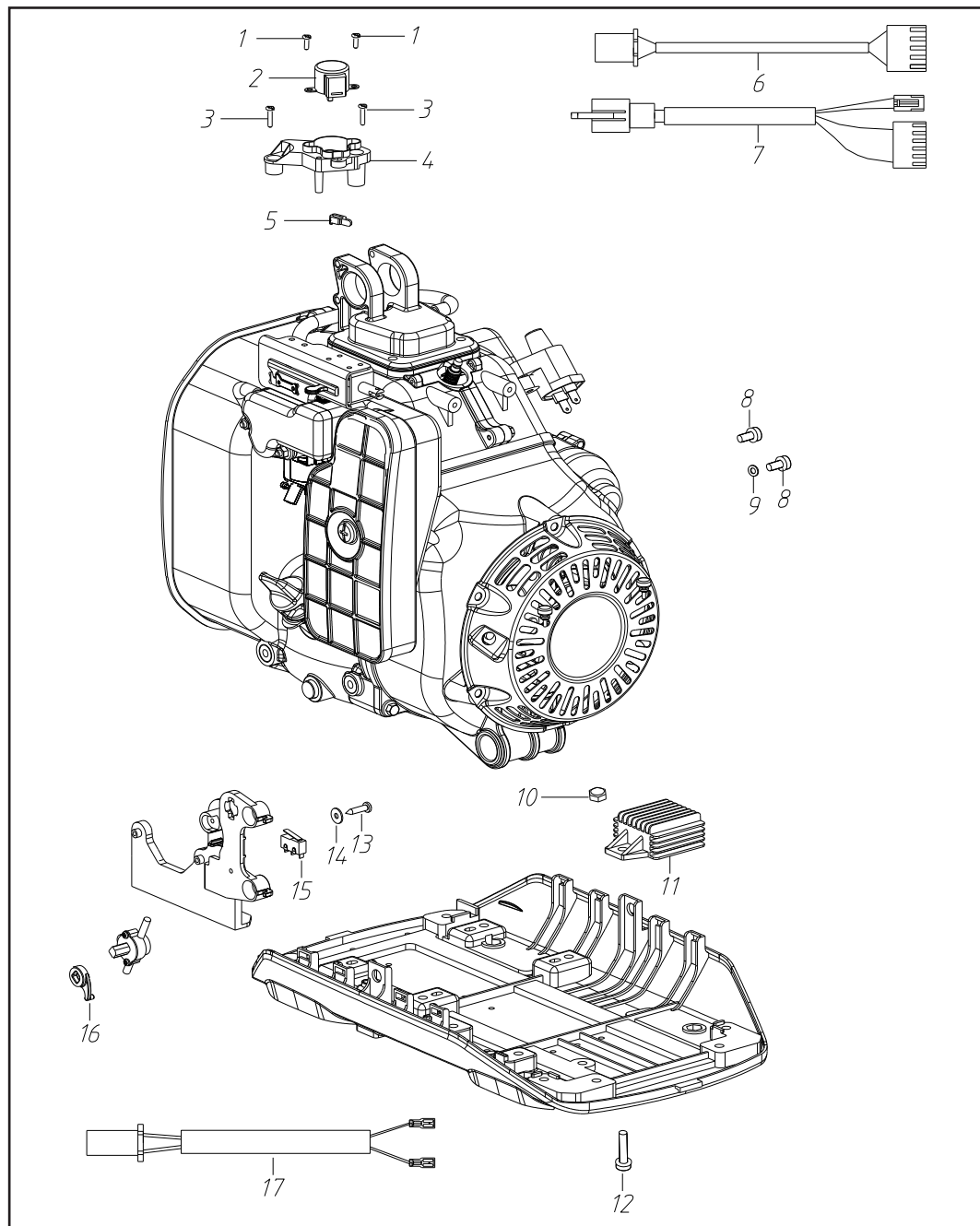
Nº	REF.	DESCRIPCIÓN (ES)	DESCRIPTION (EN)
1	SP-22i-I01	ESTATOR	STATOR
2	SP-22i-I02	ARANDELA Ø5	WASHER Ø5
3	SP-22i-I03	TORNILLO M5X35	HEXAGON FLANGE BOLTS M5X35
4	SP-22i-I04	ROTOR	ROTOR
5	SP-22i-I05	TUERCA M12X1,25	HEXAGON FLANGE NUT M12X1.25
6	SP-22i-I06	SENSOR REVOLUCIONES	REVOLUTION SENSOR
7	SP-22i-I07	TORNILLO M5X12	HEXAGON FLANGE BOLTS M5x12
8	SP-22i-I08	TORNILLO ST4.8X25-F.H	TAP SCREW ST4.8X25-F.H
9	SP-22i-I09	BOBINA BUJIA	IGNITION COIL
10	SP-BUJIA-A5RTC	BUJIA TORCH A5RTC	SPARK PLUG TORCH A5RTC
11	SP-22i-I11	JUNTA BOBINA BUJIA	IGNITION COIL CAP SEAL



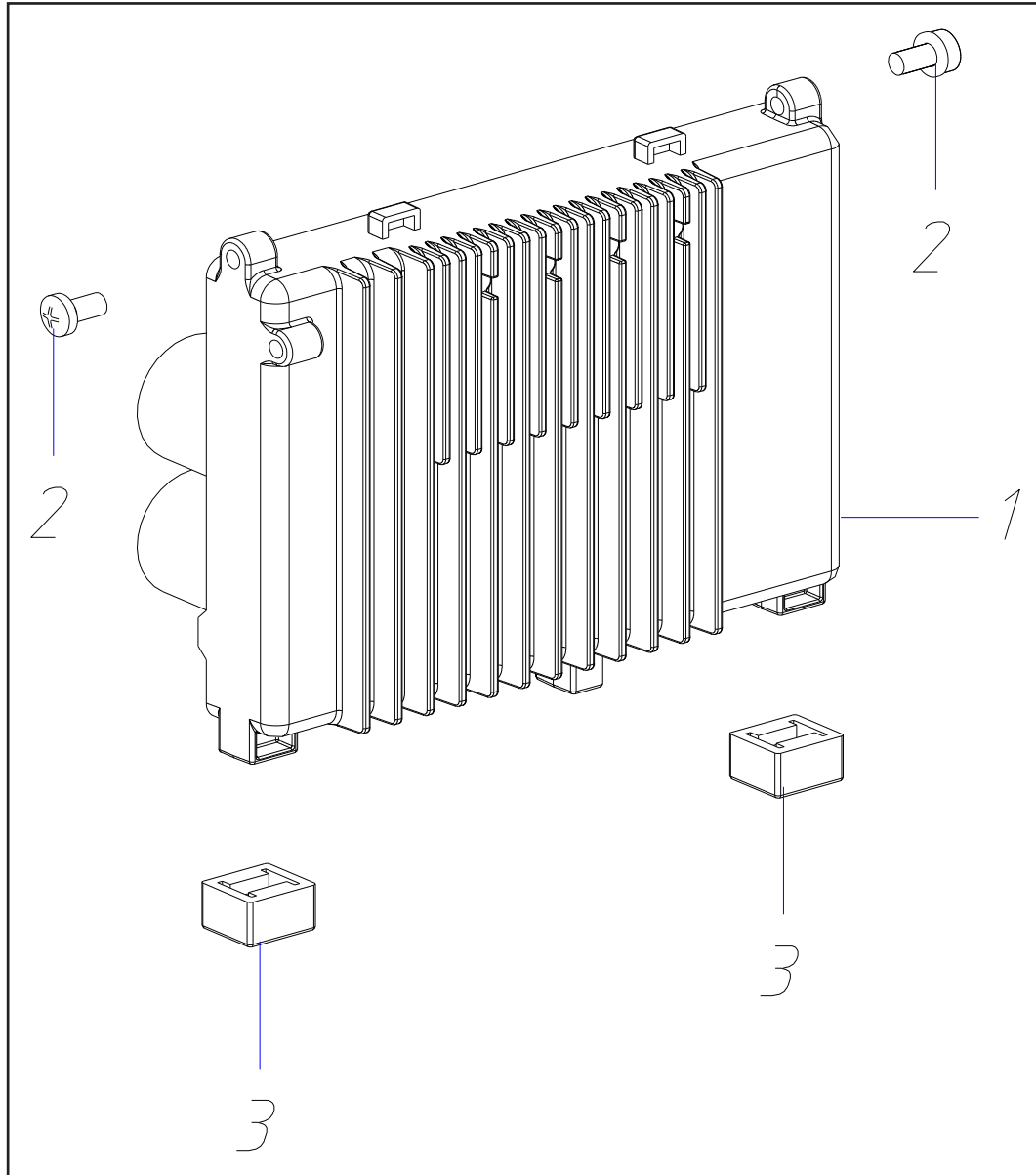
Nº	REF.	DESCRIPCIÓN (ES)	DESCRIPTION (EN)
1	SP-22i-J01-BD	TAPON DEPOSITO B+D	FUEL TANK CAP ASSY. B+D
2	SP-22i-J02	GOMA TAPON DEPOSITO	FUEL TANK PORT RUBBER
3	SP-22i-J03	PRE FILTRO COMBUSTIBLE	FUEL TANK FILTER
4	SP-22i-J04	ALMOHADILLA LATERAL DEPOSITO	FUEL TANK SIDE PAD
5	SP-22i-J05	DEPOSITO COMBUSTIBLE	FUEL TANK
6	SP-22i-J06	FILTRO COMBUSTIBLE	FUEL OUTLET FILTER
7	SP-22i-J07	ABRAZADERA Ø11,5	CLAMP Ø11,5
8	SP-22i-J08	TUBO COMBUSTIBLE	SINGLE-HEAD EXPANSION FUEL HOSE
9	SP-22i-J09	ABRAZADERA Ø9	CLAMP Ø9
10	SP-22i-J10	SOPORTE BOMBA COMBUSTIBLE	GASOLINE PUMP BRACKET
11	SP-22i-J11	CEBADOR	FUEL LUBRICATOR
12	SP-22i-J12	GRIFO GASOLINA	FUEL COCK
13	SP-22i-J13	TORNILLO GBT15856_4-ST4_8X16	TAPPED SCREW GBT15856_4-ST4_8X16
14	SP-22i-J14	MANDO GRIFO GASOLINA	FUEL COCK KNOB
15	SP-22i-J15	TORNILLO M4X16	SCREW M4X16
16	SP-22i-J16	TOPE MANDO	OIL SWITCH KNOB COVER PLATE
17	SP-22i-J17	TUBO COMBUSTIBLE Ø5XØ10X230	FUEL HOSE Ø5XØ10X230
18	SP-22i-J18	TORNILLO GB/T845 ST4,0X19	TAP SCREW GB/T845 ST4.0X19
19	SP-22i-J19	JUNTA GB/T96 Ø4	GASKET GB/T96 Ø4
20	SP-22i-J20	BOMBA COMBUSTIBLE	FUEL PUMP
21	SP-22i-J21	ABRAZADERA Ø8	CLAMP Ø8
22	SP-22i-J22	TUBO ACEITE	OILER TUBE
23	SP-22i-J23	TUBO COMBUSTIBLE Ø5XØ10X285	FUEL HOSE Ø5XØ10X285
24	SP-22i-J24	TUBO COMBUSTIBLE Ø5XØ10X90	FUEL HOSE 5X10X90
25	SP-22i-J25	FILTRO COMBUSTIBLE	FUEL FILTER



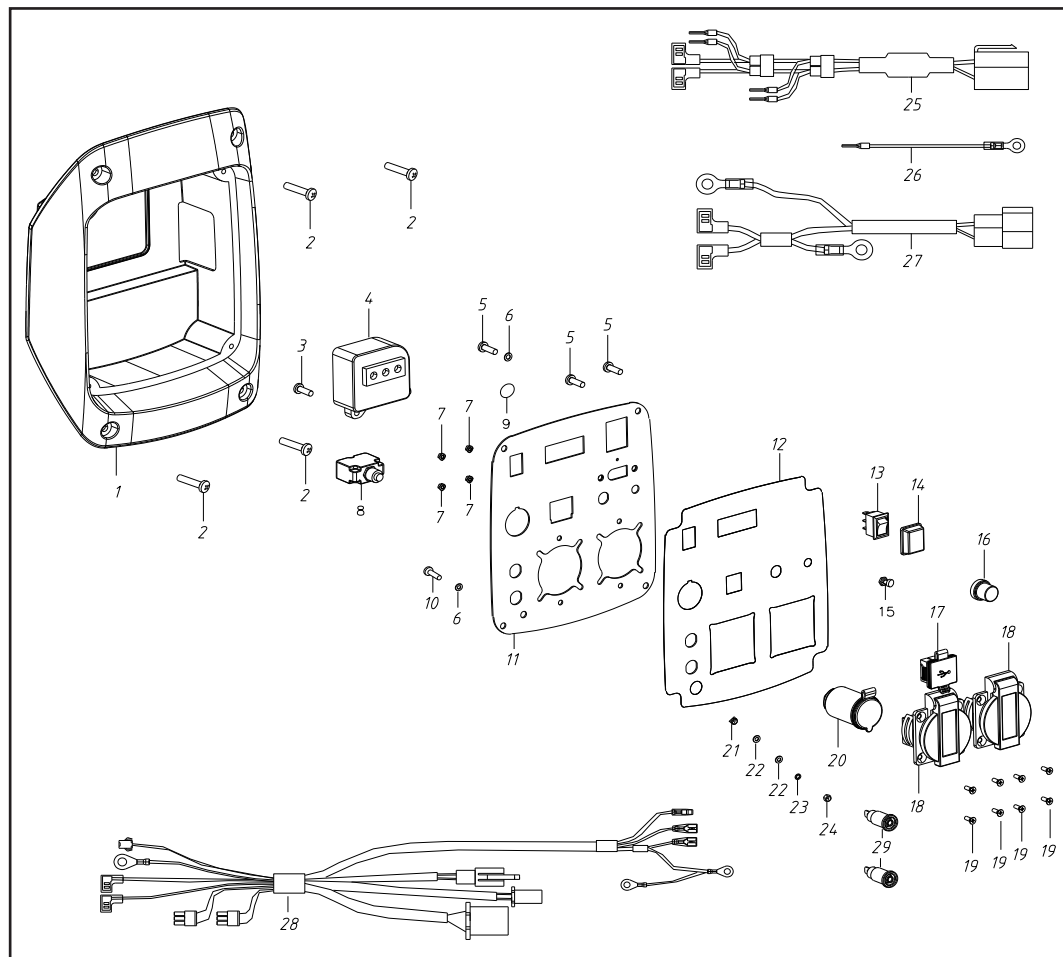
Nº	REF.	DESCRIPCIÓN (ES)	DESCRIPTION (EN)
1	SP-22i-K01	TORNILLO M6X16	SCREW M6X16
2	SP-22i-K02	CUBIERTA ESCAPE	MUFFLER COVER
3	SP-22i-K03	JUNTA CUBIERTA ESCAPE	MUFFLER COVER SEAL
4	SP-22i-K04	CUBIERTA INTERIOR ESCAPE	INNER MUFFLER COVER
5	SP-22i-K05	TORNILLO M5X16	SCREW M5X16
6	SP-22i-K06-BD	TAPA SUPERIOR B+D	UPPER COVER B+D
7	SP-22i-K07	ARANDELA Ø4	SPLIT WASHER Ø4
8	SP-22i-K08-BD	PROTECTOR DERECHO BUJIA B+D	SPARK PLUG HOLE PROTECTOR RIGHT B+D
9	SP-22i-K09-BD	PROTECTOR IZQUIERDO BUJIA B+D	SPARK PLUG HOLE PROTECTOR LEFT B+D
10	SP-22i-K10	GOMA ANTIVIBRACION	RUBBER ABSORBER
11	SP-22i-K11	TUBO METALICO	METALLIC CONDUIT
12	SP-22i-K12	CIERRE	FASTENER
13	SP-22i-K13-BD	CARCASA IZQUIERDA B+D	LEFT COVER OF SHELL B+D
14	SP-22i-K14-BD	TAPA LATERAL IZQUIERDA B+D	LEFT SIDE COVER B+D
15	SP-22i-K15	GOMA DEPOSITO COMBUSTIBLE	RUBBER OF FUEL TANK
16	SP-22i-K16-BD	CARCASA DERECHA B+D	RIGHT COVER OF SHELL B+D
17	SP-22i-K17-BD	TAPA LATERAL DERECHA B+D	RIGHT SIDE COVER B+D
18	SP-22i-K18-BD	TAPA ACEITE B+D	OIL COVER PLATE B+D
19	SP-22i-K19	TORNILLO GB/T845 ST4.8X9.5-F	TAP SCREW GB/T845 ST4.8X9.5-F
20	SP-22i-K20	PROTECTOR	EDGE PROTECTION
21	SP-22i-K21	ALMOHADILLA	SHOCK PAD
22	SP-22i-K22	TUERCA ST4.8	REED NUT ST4.8
23	SP-22i-K23	SILENT BLOCK	SHOCK PAD
24	SP-22i-K24	SOPORTE TRASERO IZQUIERDO	REAR CHASSIS SUPPORT LEFT
25	SP-22i-K25	SOPORTE TRASERO DERECHO	REAR CHASSIS SUPPORT RIGHT
26	SP-22i-K26	TUERCA M6	FLANGE NUT M6
27	SP-22i-K27	ARANDELA GBT96_2-6	WASHER GBT96_2-6
28	SP-22i-K28	SOPORTE DELANTERO IZQUIERDO	CHASSIS FRONT SUPPORT LEFT
29	SP-22i-K29	SOPORTE DELANTERO DERECHO	CHASSIS FRONT SUPPORT RIGHT
30	SP-22i-K30	CHASIS	CHASSIS
31	SP-22i-K31	TUERCA M6	FLANGE NUT M6
32	SP-22i-K32	TORNILLO M5X10	FLANGE BOLT GB5789-M5X10
33	SP-22i-K33	PIE GOMA	VIBRATION ABSORBER
34	SP-22i-K34	TORNILLO GB5789-M6X12	FLANGE BOLT GB5789-M6X12



Nº	REF.	DESCRIPCIÓN (ES)	DESCRIPTION (EN)
1	SP-22i-L01	TORNILLO M3X8	SCREW M3X8
2	SP-22i-L02	MOTOR CARBURADOR	STEPPER MOTOR ASSY.
3	SP-22i-L03	TORNILLO M4X12	SCREW M4X12
4	SP-22i-L04	SOPORTE MOTOR CARBURADOR	STEPPER MOTOR HOLDER
5	SP-22i-L05	BRAZO MOTRIZ	DRIVE ARM
6	SP-22i-L06	CABLE MOTOR CARBURADOR	STEPPER MOTOR CORD
7	SP-22i-L07	CABLE CONTROLADOR	CONTROLLER CORD
8	SP-22i-L08	TORNILLO M5X8	SCREW M5X8
9	SP-22i-L09	ARANDELA GB862_2-5	WASHER GB862_2-5
10	SP-22i-L10	TUERCA M6	FLANGE NUT M6
11	SP-22i-L11	RECTIFICADOR	RECTIFIER REGULATOR
12	SP-22i-L12	TORNILLO M6X16	FLANGE BOLT M6X16
13	SP-22i-L13	TORNILLO GB845-C-ST4.2X13	SCREW GB845-C-ST4.2X13
14	SP-22i-L14	ARANDELA GBT96_2-4	WASHER GBT96_2-4
15	SP-22i-L15	MICROINTERRUPTOR	MICROSWITCH
16	SP-22i-L16	DIAL MICROINTERRUPTOR	MICROSWITCH DIAL
17	SP-22i-L17	CABLE MOTOR	ENGINE FLAMEOUT LINE



Nº	REF.	DESCRIPCIÓN (ES)	DESCRIPTION (EN)
1	SP-22i-M01	PLACA INVERTER	INVERTER
2	SP-22i-M02	TORNILLO M5X10	FLANGE BOLT M5X10
3	SP-22i-M03	GOMAS SUJECION	INVERTER RUBBER BRACKET



Nº	REF.	DESCRIPCIÓN (ES)	DESCRIPTION (EN)
1	SP-22i-N01-BD	CAJA PANEL DE CONTROL B+D	PANEL BOX B+D
2	SP-22i-N02	TORNILLO M5X12	CROSS PAN HEAD SCREW M5X12
3	SP-22i-N03	TORNILLO M5X16	SCREW M5X16
4	SP-22i-N04	CONTROL BOX	IGNITION CONTROLLER
5	SP-22i-N05	TORNILLO M5X8	SCREW M5X8
6	SP-22i-N06	ARANDELA GB862.2 Ø5	LOCK GASKET GB862.2 Ø5
7	SP-22i-N07	TUERCA QCT864-M4	HEXAGON NUT QCT864-M4
8	SP-PC-OVER-4.5A	PROTECTOR SOBRECARGA 4,5A	OVERLOAD PROTECTOR 4.5 A
9	SP-PC-CON-EARTH	TUERCA TOMA DE TIERRA	GROUNDING NUT
10	SP-22i-N10	TORNILLO GB/16674 M5x16	FLANGE BOLT GB/16674 M5x16
11	SP-22i-N11	PLACA PANEL CONTROL	CONTROL PANEL PLATE
12	SP-22i-N12-BD	ADHESIVO PLACA B+D	PANEL STICKER B+D
13	SP-22i-N13	INTERRUPTOR ECO	BOAT SWITCH
14	SP-PC-SWITCH-CUBIERTA	PROTECTOR LLUVIA INTERRUPTOR ECO	WATER-PROOF CAP OF BOAT SWITCH
15	SP-22i-N15	BOTON RESET PBS-102	RESET SWITCH PBS-102
16	SP-PC-OVER-PROTEC	PROTECTOR LLUVIA SOBRECARGA	WATER-PROOF CAP OF OVERLOAD PROTECTOR
17	SP-22i-N17	TOMA USB	USB SOCKET
18	SP-PC-BASE-SCH-16A-IP54	BASE 16A IP54 230V	EUROPEAN SOCKET IP54
19	SP-22i-N19	TORNILLO M4X18	SCREW M4x18
20	SP-22i-N20	TOMA MECHERO	CIGAR LIGHTER SOCKET
21	SP-22i-N21	TUERCA QCT864-M5	HEXAGON NUT QCT864-M5
22	SP-22i-N22	ARANDELA GB/T97 FLAT	FLAT WASHER GB/T97 Ø5
23	SP-22i-N23	ARANDELA GLOVER GB/T9393	SPRING WASHER GB/T93 Ø5
24	SP-22i-N24	TUERCA GB/T61706170	HEXAGON NUT GB/T6170 M5
25	SP-22i-N25	CABLE AC	AC SOCKET WIRE
26	SP-22i-N26	CABLE CONEXION TIERRA	SOCKET GROUND WIRE 100
27	SP-22i-N27	CABLE DE TOMA DC CON ESTABILIZADOR	DC SOCKET WIRE WITH STABILIZER
28	SP-22i-N28	CABLE GENERADOR	GENERATOR WIRE
29	SP-PC-CON-12V-XY	TERMINALES 12V CC (TERMINALES ROJO Y NEGRO)	12V/DC TERMINALS (RED AND BLACK TERMINALS)

# WIRING DIAGRAM

BXGNI2200E (230V)

