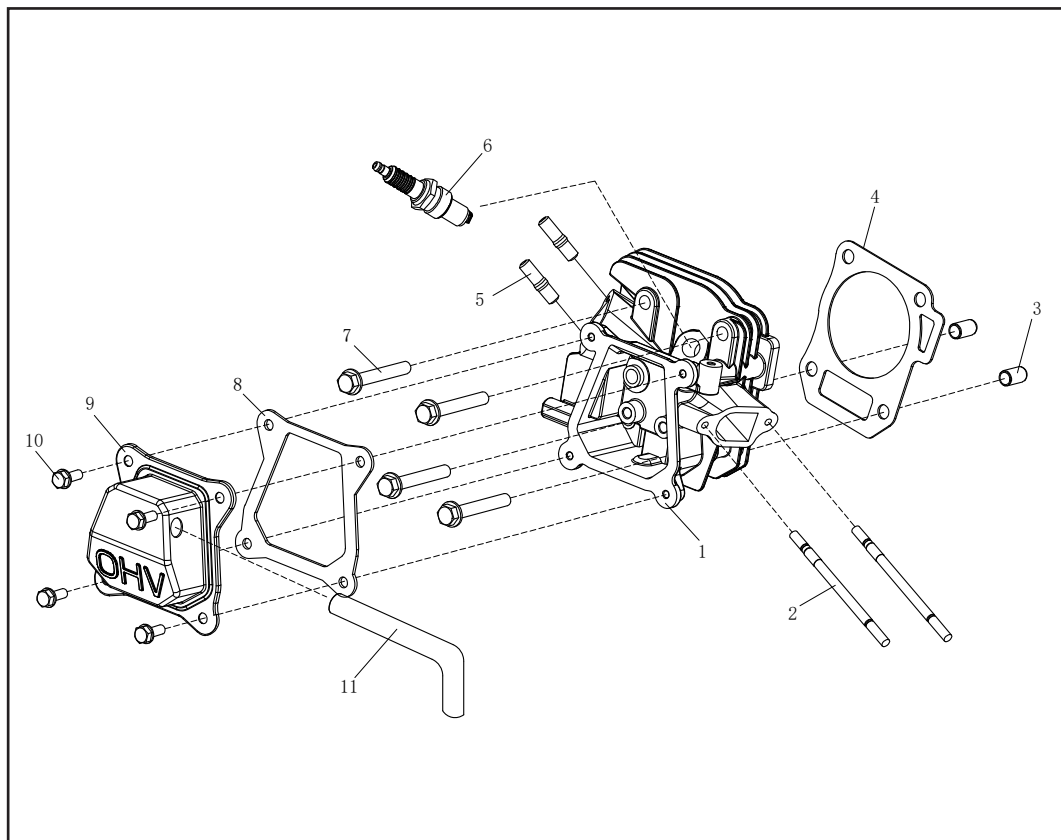


# **DESPIECE** **SPAREPARTS**

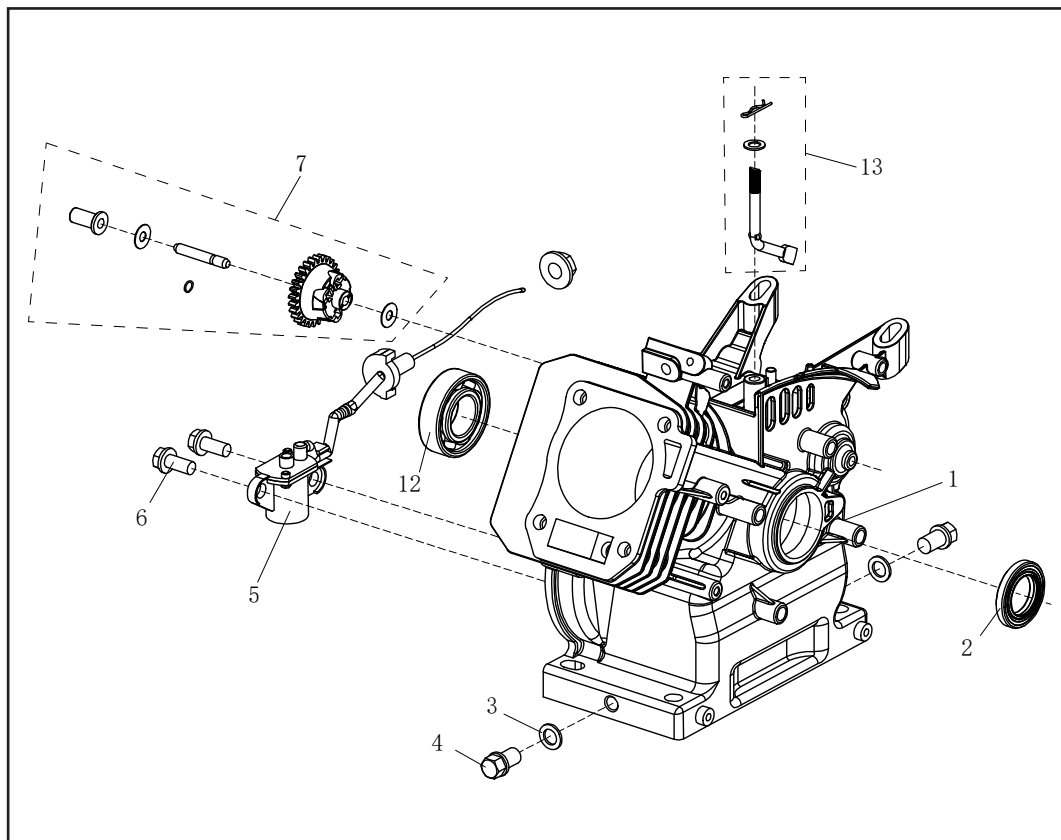
**GENERADOR GASOLINA:  
BXGNP3000E**

**MOTOR: LS208**

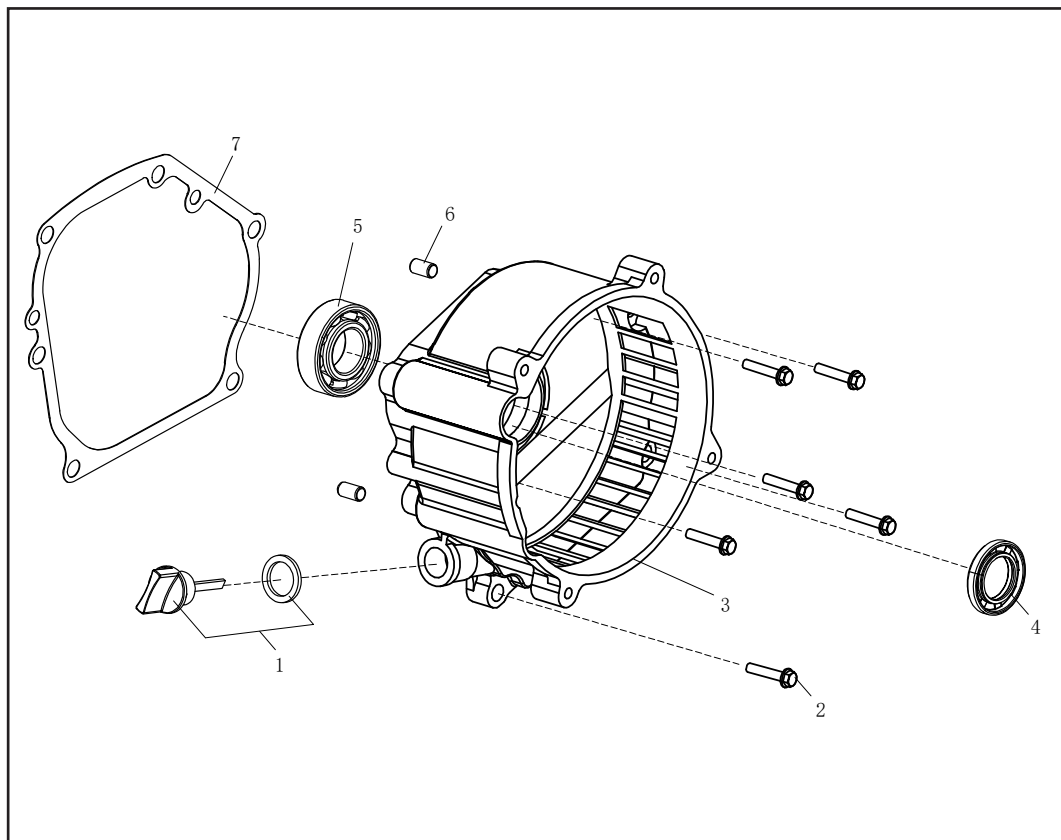




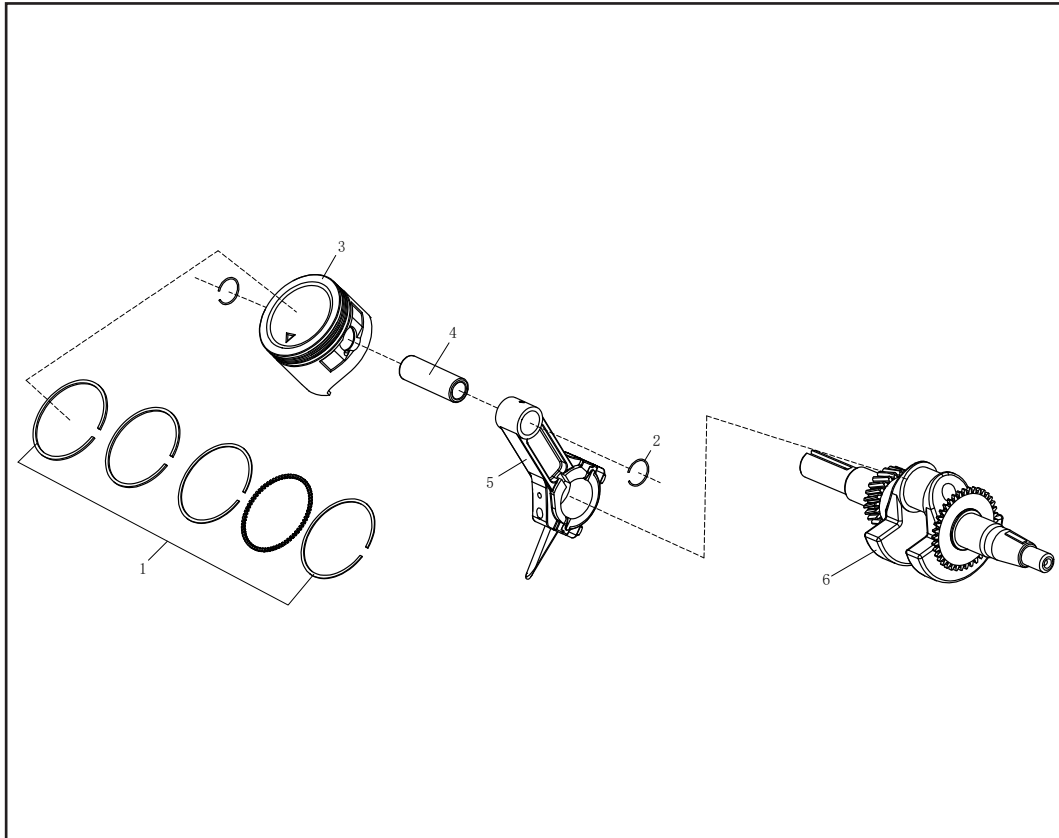
Nº	REF.	DESCRIPCIÓN (ES)	DESCRIPTION (EN)
1	SP-LS208-A01	CULATA LS208	CYLINDER HEAD LS208
2	SP-LS208-A02	ESPARRAGO M6X90	AIR INTAKE BOLT M6X90
3	SP-LS208-A03	CASQUILLO GUIA CULATA Ø10X90	LOCATING PIN Ø10X16
4	SP-LS208-A04	JUNTA CULATA LS208	CYLINDER HEAD GASKET LS208
5	SP-LS208-A05	ESPARRAGO M8X32	AIR EXHAUST BOLT M8X32
6	SP-BUJIA-F6RTC	BUJIA TORCH F6RTC	SPARK PLUG F6RTC
7	SP-LS208-A07	TORNILLO M8X58	HEXAGON FLANGE BOLT M8X58
8	SP-LS208-A08	JUNTA TAPA VALVULAS	BREATHER GASKET
9	SP-LS208-A09	TAPA VALVULAS	BREATHER
10	SP-LS208-A10	TORNILLO M6X12	HEXAGON FLANGE BOLT M6X12
11	SP-LS208-A11	TUBO RESPIRADERO	BREATHER TUBE



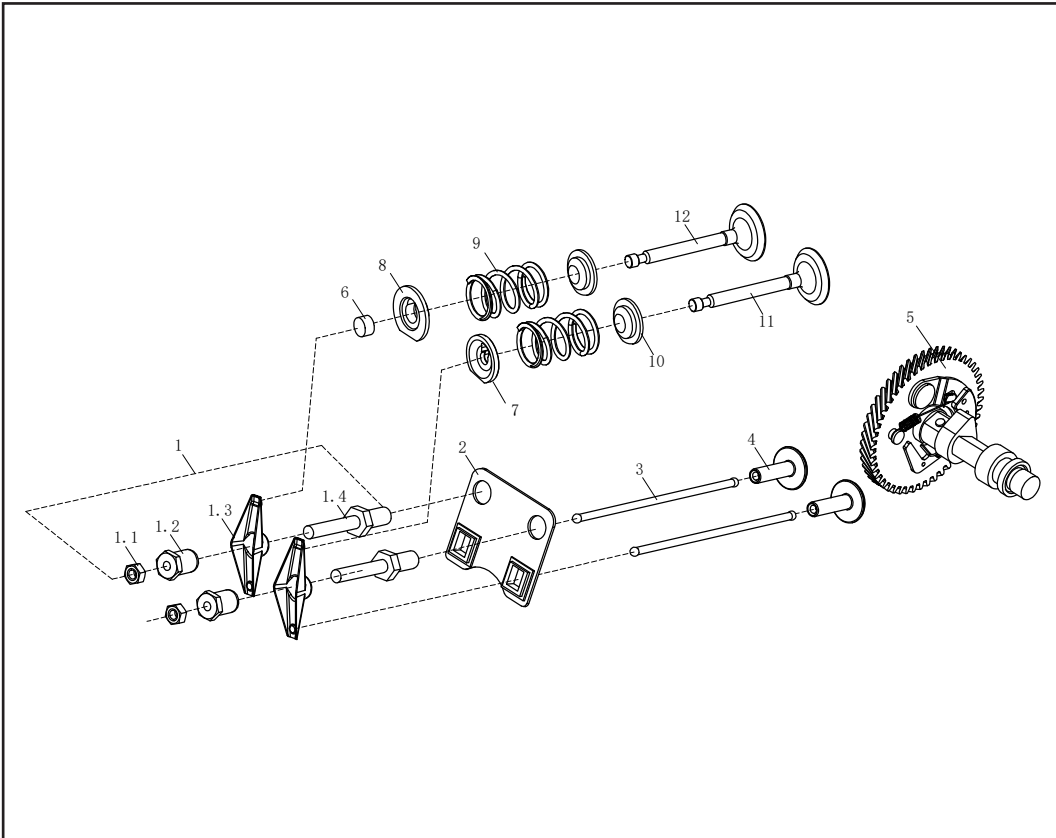
Nº	REF.	DESCRIPCIÓN (ES)	DESCRIPTION (EN)
1	SP-LS208-B01	BLOQUE MOTOR LS208	CRANKCASE LS208
2	SP-LS208-B02	RETEN Ø25XØ41,25X6	OIL SEAL Ø25XØ41.25X6
3	SP-LS208-B03	JUNTA Ø10XØ16X1,5	DRAIN PLUG WASHER Ø10XØ16X1.5
4	SP-LS208-B04	TORNILLO DRENAJE M10X1,25	DRAIN PLUG M10X1.25
5	SP-LS208-B05	SENSOR NIVEL ACEITE	OIL LEVEL SENSOR
6	SP-LS208-B06	TORNILLO M6X12	HEXAGON FLANGE BOLT M6X12
7	SP-LS208-B07	GOBERNADOR	GOVERNOR
8	SP-LS208-B08	ARANDELA Ø6.2XØ13X1	GOVERNOR GEAR WAHSER Ø6.2XØ13X1
12	SP-LS208-B12	COJINETE 6205P53	BEARING 6205P53
13	SP-LS208-B13	PALANCA GOBERNADOR	GOVERNOR ARM



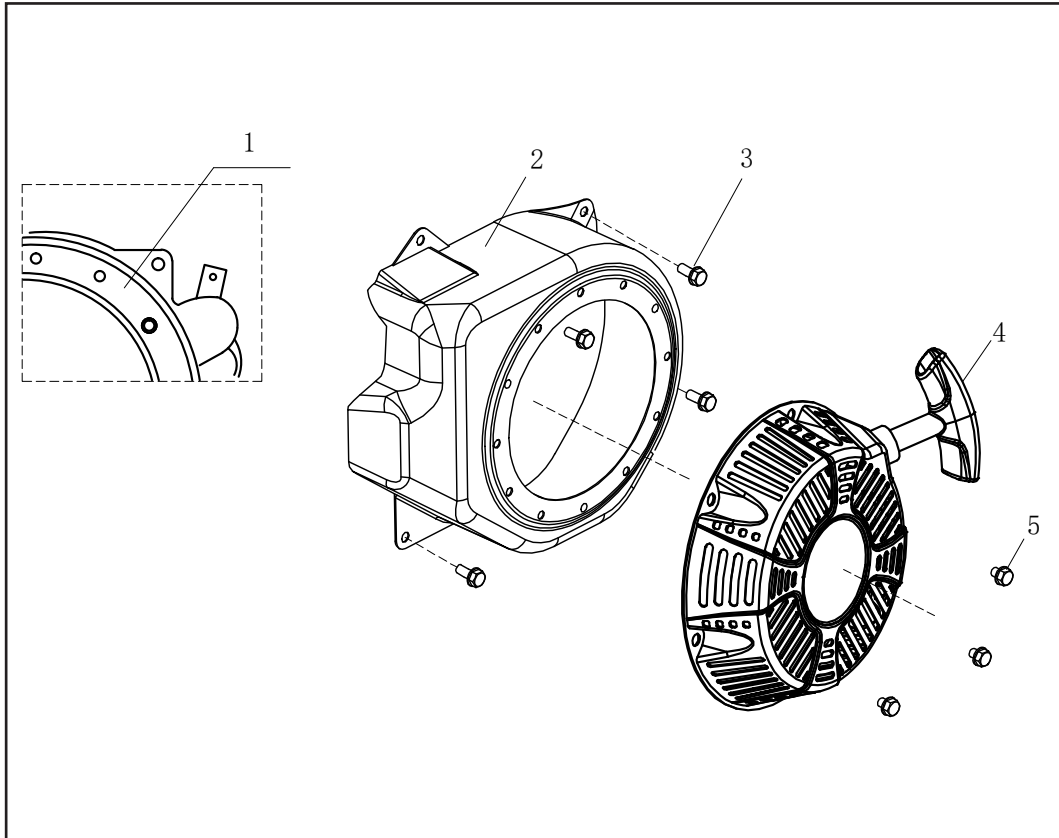
Nº	REF.	DESCRIPCIÓN (ES)	DESCRIPTION (EN)
1	SP-LS208-C01	VARILLA NIVEL ACEITE M18	OIL GAUGE M18
2	SP-LS208-C02	TORNILLO M8X32	HEXAGON FLANGE BOLT M8X32
3	SP-LS208-C03	TAPA BLOQUE MOTOR	CRANKCASE COVER
4	SP-LS208-C04	RETEN Ø25XØ41,25X6	OIL SEAL Ø25XØ41.25X6
5	SP-LS208-C05	COJINETE 6205P53	BEARING 6205P53
6	SP-LS208-C06	CASQUILLO GUIA BLOQUE Ø8X14	LOCATING PIN Ø8X14
7	SP-LS208-C07	JUNTA BLOQUE MOTOR	CRANKCASE GASKET



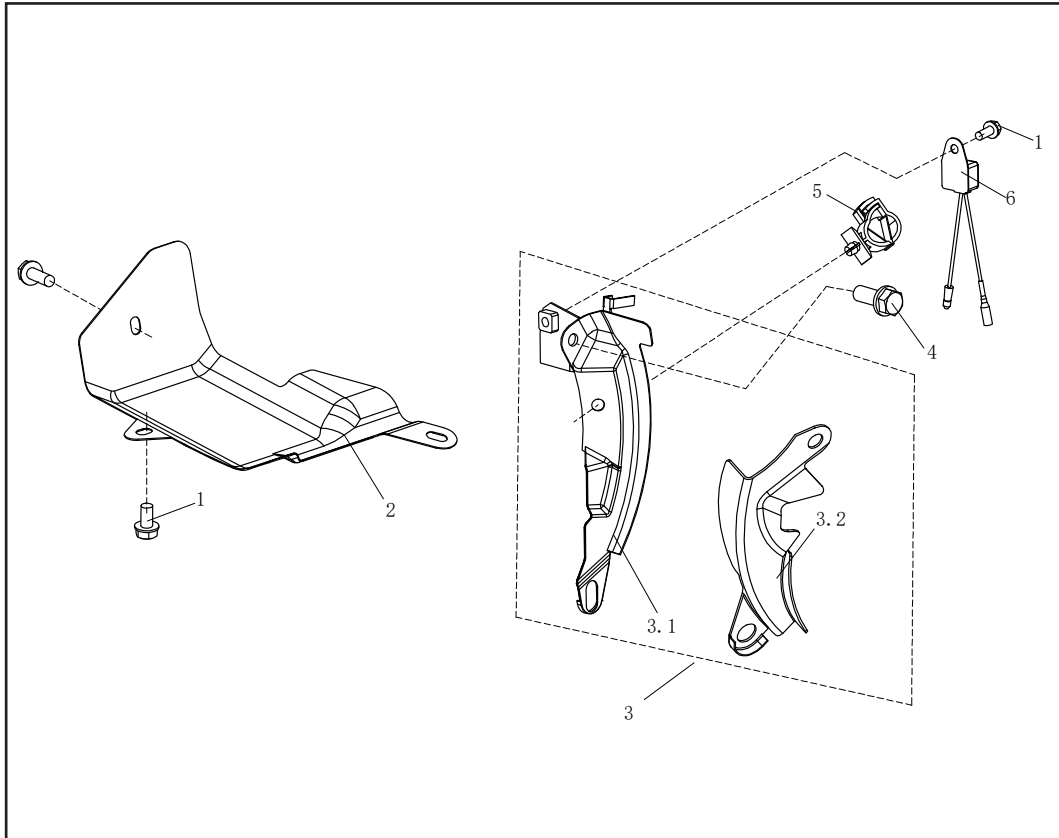
Nº	REF.	DESCRIPCIÓN (ES)	DESCRIPTION (EN)
1	SP-LS208-D01	JUEGO SEGMENTOS LS208	PISTON RING LS208
2	SP-LS208-D02	CLIP SUJECION BURLON	PISTON PIN CLIP
3	SP-LS208-D03	PISTON LS208	PISTON LS208
4	SP-LS208-D04	BURLON PISTON	PISTON PIN
5	SP-LS208-D05	BIELA COMPLETA	CONNECTING ROD
6	SP-LS208-D06	CIGÜEÑAL LS208	CRANKSHAFT LS208



Nº	REF.	DESCRIPCIÓN (ES)	DESCRIPTION (EN)
1	SP-LS208-E01	JUEGO BALANCINES	ROCKER ARM
1-1	SP-LS208-E01-1	TUERCA BLOQUEO VALVULA	VALVE LOCKING NUT
1-2	SP-LS208-E01-2	TUERCA AJUSTE VALVULA	VALVE ADJUSTING NUT
1-3	SP-LS208-E01-3	BALANCIN	VALVE ROCKER
1-4	SP-LS208-E01-4	TORNILLO AJUSTE VALVULA	VALVE ADJUSTING BOLT
2	SP-LS208-E02	GUIA VARILLAS	PUSHING ROD BRACKET
3	SP-LS208-E03	VARILLAS EMPUJE BALANCINES	PUSHING ROD
4	SP-LS208-E04	ASIENTO VARILLAS EMPUJE	LIFTER
5	SP-LS208-E05	ARBOL LEVAS LS208	CAMSHAFT ASSY LS208
6	SP-LS208-E06	TOPE VALVULA	TOP CAP
7	SP-LS208-E07	ASIENTO MUELLE VALVUAL ADMISION	INTAKE VALVE SPRING SEAT
8	SP-LS208-E08	ASIENTO MUELLE VALVULA ESCAPE	EXHAUST VALVE SPRING SEAT
9	SP-LS208-E09	MUELLE VALVULA	VALVE SPRING
10	SP-LS208-E10	RETEN MUELLE	OIL RETAINING CAP
11	SP-LS208-E11	VALVULA ADMISION LS208	INTAKE VALVE LS208
12	SP-LS208-E12	VALVULA ESCAPE LS208	EXHAUST VALVE LS208

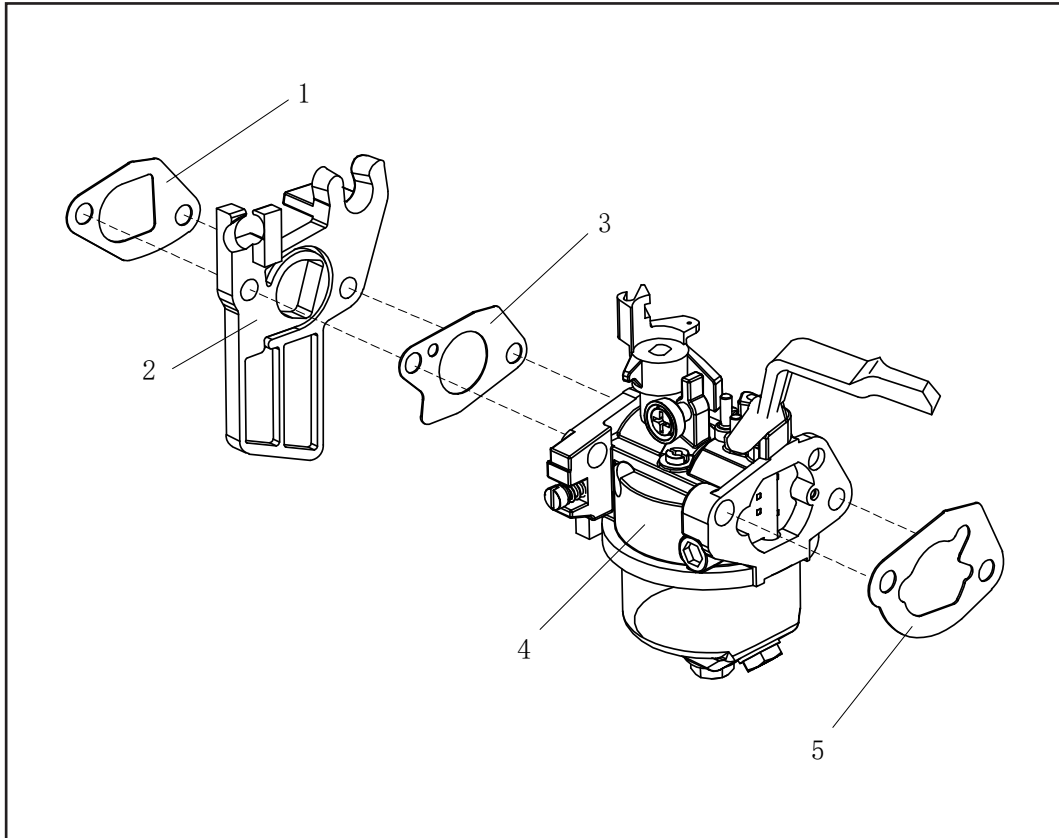


Nº	REF.	DESCRIPCIÓN (ES)	DESCRIPTION (EN)
1	SP-LS208-F01	PROTECTOR VENTILADOR ARRANQUE ELECTRICO	FAN CASE (ELECTRIC START)
2	SP-LS208-F02	PROTECTOR VENTILADOR	FAN CASE
3	SP-LS208-F03	TORNILLO M6X12	HEXAGON FLANGE BOLT M6X12
4	SP-LS208-F04	CONJ. ARRANCADOR MANUAL	RECOIL STARTER ASSEMBLY (GENERATOR)
5	SP-LS208-F05	TORNILLO M6X8	HEXAGON FLANGE BOLT M6X8

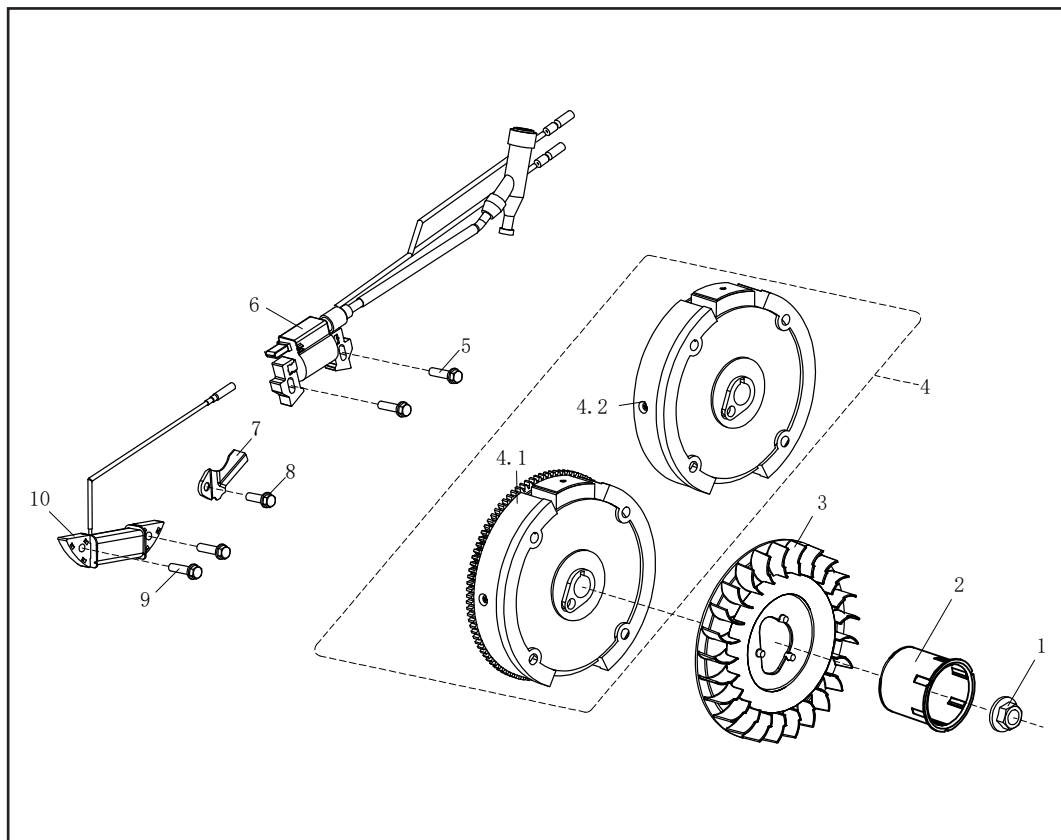


Nº	REF.	DESCRIPCIÓN (ES)	DESCRIPTION (EN)
1	SP-LS208-G01	TORNILLO M6X12	HEXAGON FLANGE BOLT M6X12
2	SP-LS208-G02	PROTECTOR VIENTO	WIND SHIELD
3-1	SP-LS208-G03-1	CUBIERTA VOLANTE INERCIA	FLYWHEEL COVER
4	SP-LS208-G04	TORNILLO M6X22	HEXAGON FLANGE BOLT M6X22
5	SP-LS208-G05	ABRAZADERA CABLE	WIRE CLAMP
6	SP-LS208-G06	DIODE	DIODE

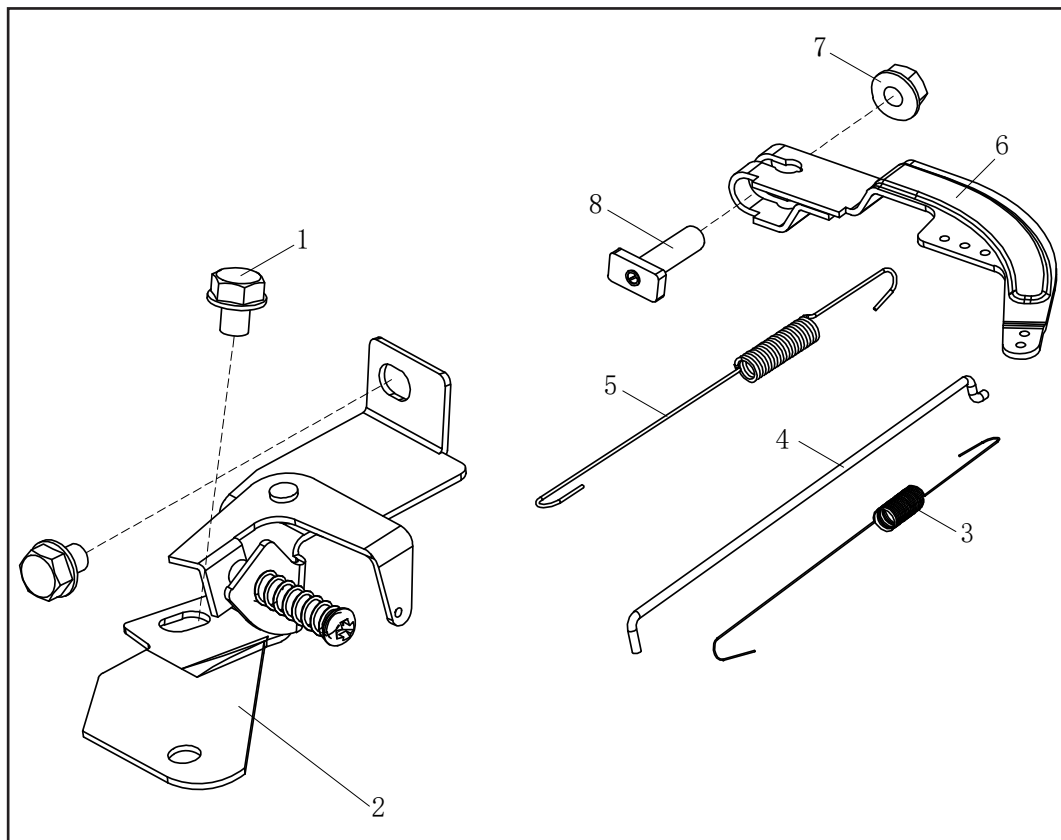




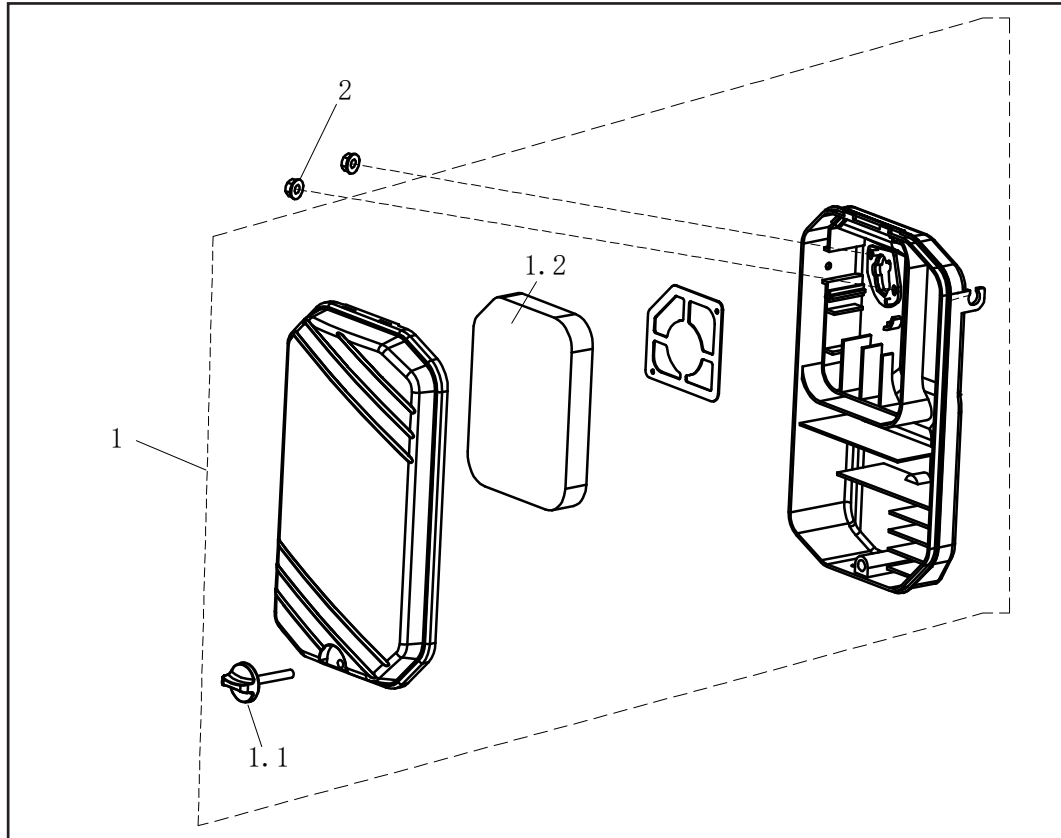
Nº	REF.	DESCRIPCIÓN (ES)	DESCRIPTION (EN)
1	SP-LS208-H01	JUNTA ADMISION AIRE	AIR INLET GASKET
2	SP-LS208-H02	PLACA AISLANTE	INSULATION BOARD
3	SP-LS208-H03	JUNTA PLACA AISLANTE	INSULATION BOARD GASKET
4	SP-LS208-H04	CARBURADOR	CARBURETOR
5	SP-LS208-H05	JUNTA FILTRO AIRE	AIR FILTER GASKET



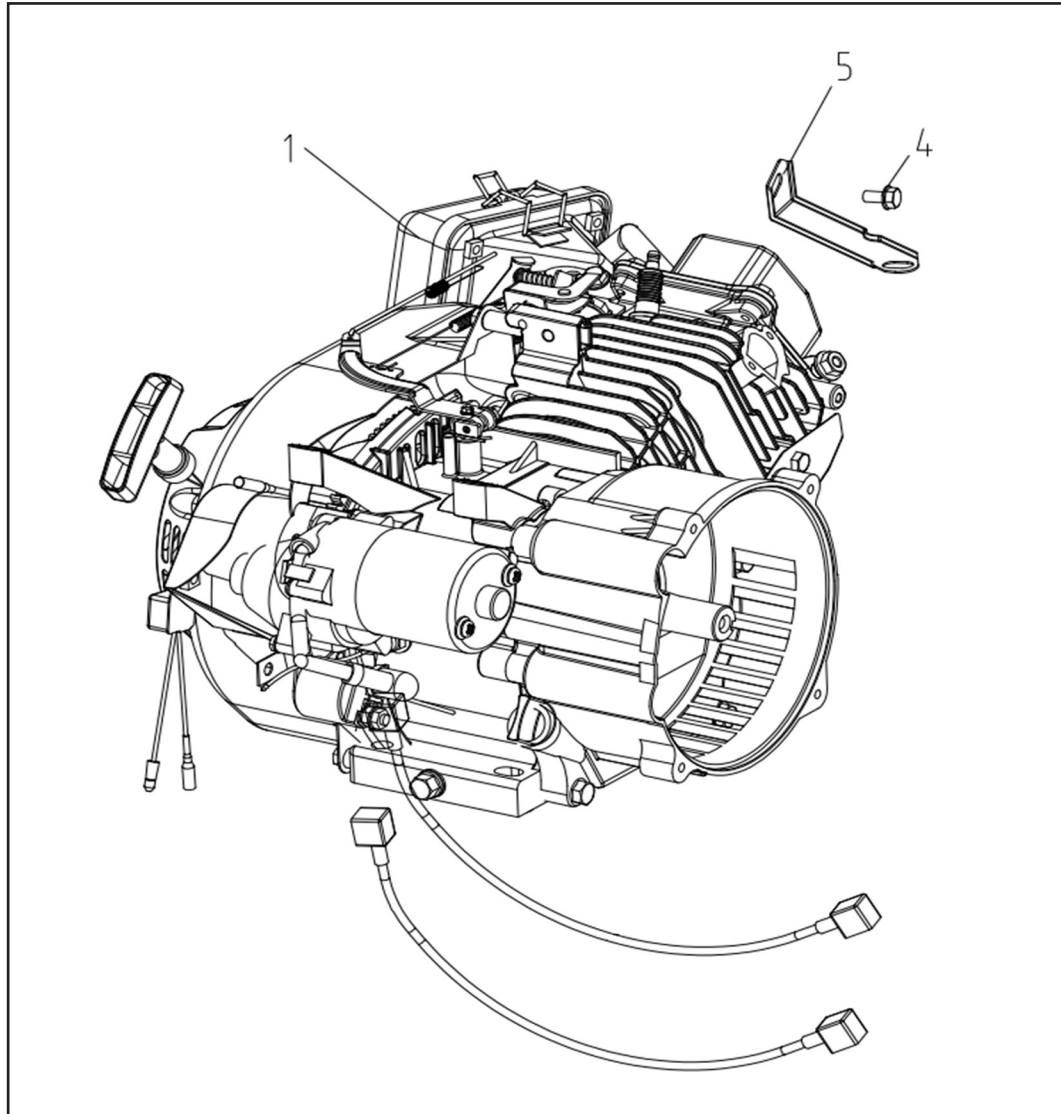
Nº	REF.	DESCRIPCIÓN (ES)	DESCRIPTION (EN)
1	SP-LS208-J01	TUERCA VOLANTE INERCIA	FLYWHEEL NUT
2	SP-LS208-J02	ACOPLE ARRANCADOR	STARTER PULLEY
3	SP-LS208-J03	VENTILADOR	COOLING FAN
4-2	SP-LS208-J04-2	VOLANTE INERCIA (MANUAL)	FLYWHEEL
5	SP-LS208-J05	TORNILLO M6X25	HEXAGON FLANGE BOLT M6X25
6	SP-LS208-J06	BOBINA BUJIA	HIGH VOLTAGE SET
7	SP-LS208-J07	PLACA PRESION CABLES	WIRE PRESSING PLATE
8	SP-LS208-J08	TORNILLO M6X8	HEXAGON FLANGE BOLT M6X8
9	SP-LS208-J09	TORNILLO M6X30	HEXAGON FLANGE BOLT M6X30
10	SP-LS208-J10	BOBINA DE CARGA	CHARGING COIL



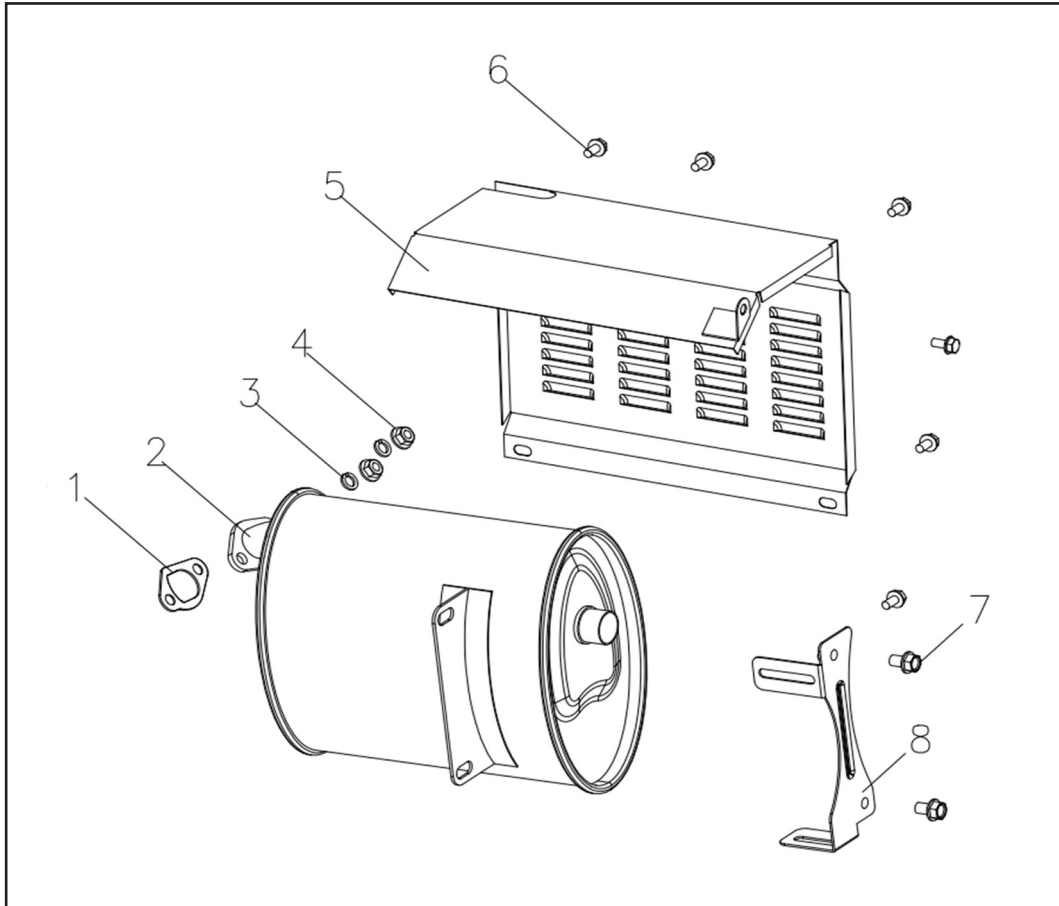
Nº	REF.	DESCRIPCIÓN (ES)	DESCRIPTION (EN)
1	SP-LS208-L01	TORNILLO M6X12	HEXAGON FLANGE BOLT M6X12
2	SP-LS208-L02	CONJ. ACELERADOR	SPEED CONTROL ASSY
3	SP-LS208-L03	MUELLE PALANCA ACELERADOR	FINE TUNING SPRING
4	SP-LS208-L04	VARILLA ACELERADOR	GOVERNOR ROD
5	SP-LS208-L05	MUELLE PALANCA ACELERADOR Ø0,7	OFFSETTING SPRING Ø0.7
6	SP-LS208-L06	PALANCA ACELERADOR	GOVERNOR ARM
7	SP-LS208-L07	TUERCA M6	HEXAGON FLANGE NUT M6
8	SP-LS208-L08	TORNILLO	T-TYPE BOLT



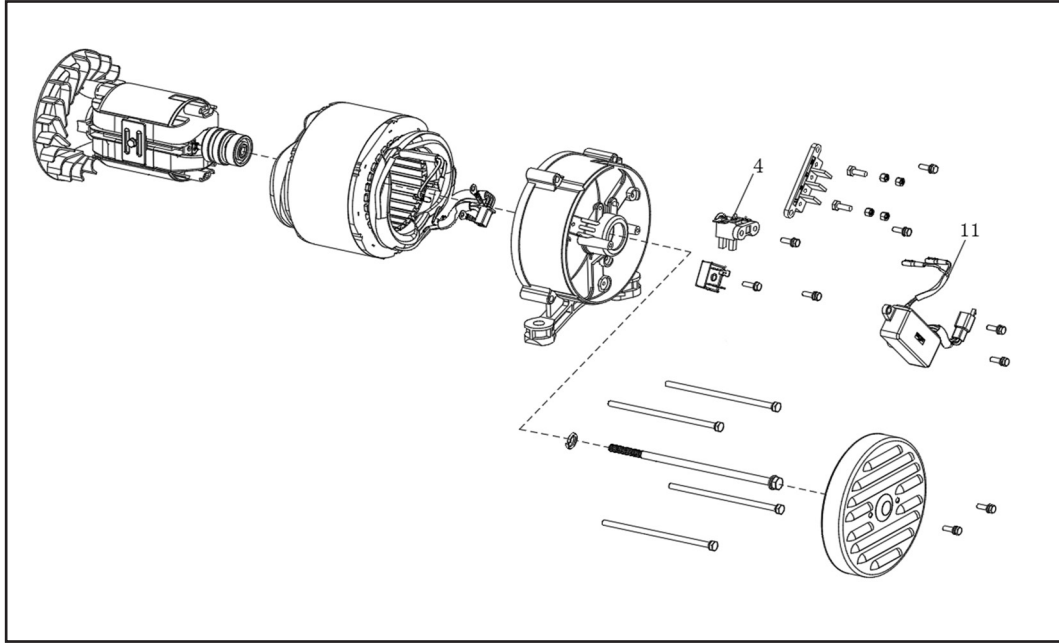
Nº	REF.	DESCRIPCIÓN (ES)	DESCRIPTION (EN)
1	SP-LS208-M01	CONJ. FILTRO AIRE	AIR CLEANER ASSY
1-1	SP-LS208-M01-1	PALOMILLA FILTRO AIRE	AIR CLEANER ASSY BOLT
1-2	SP-LS208-M01-2	ELEMENTO FILTRANTE	AIR CLEANER ELEMENT
2	SP-LS208-M02	TUERCA M6	HEXAGON FLANGE NUT M6



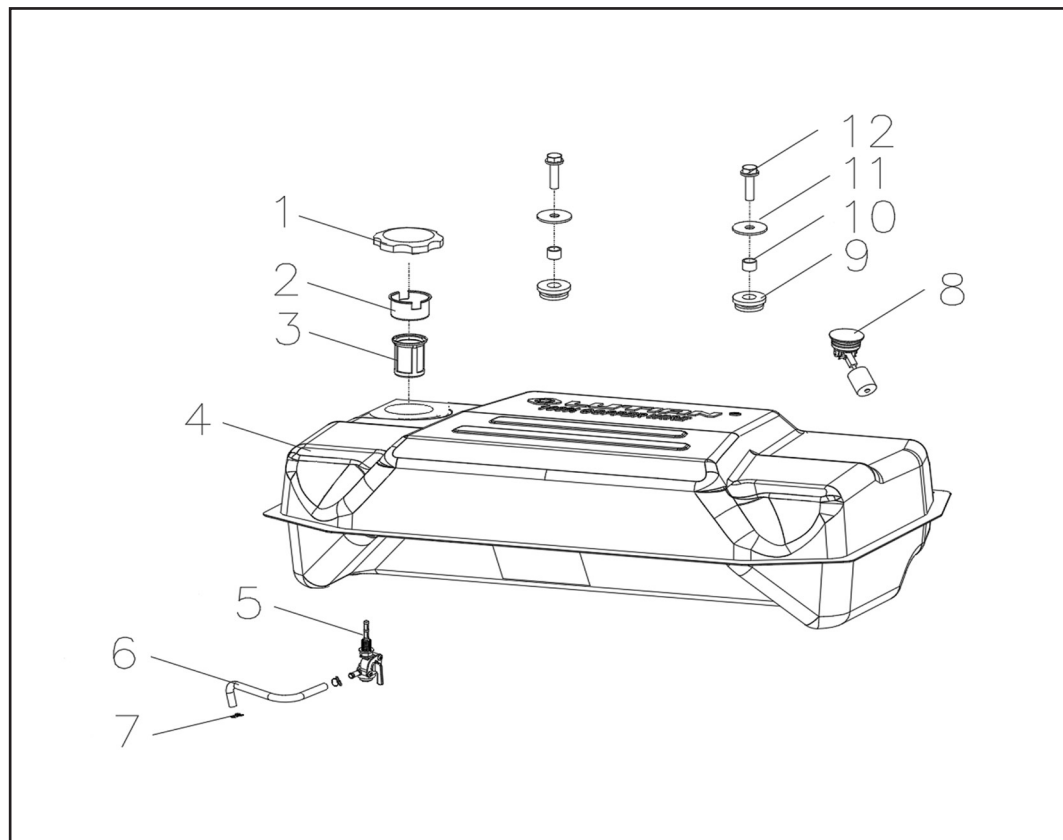
Nº	REF.	DESCRIPCIÓN (ES)	DESCRIPTION (EN)
1	IT-LS208	MOTOR LS208 GASOLINA 208cc - EJE CONICO	ENGINE LS208
4	SP-BD3000E-A04	TORNILLO M6X8	FLANGE BOLT M6X8
5	SP-BD3000E-A05	SOPORTE FILTRO AIRE	AIR CLEANER BRACKET



Nº	REF.	DESCRIPCIÓN (ES)	DESCRIPTION (EN)
1	SP-BD3000E-B01	JUNTA SILENCIADOR	MUFFLER GASKET
2	SP-BD3000E-B02	SILENCIADOR ESCAPE	MUFFLER ASSY
3	SP-BD3000E-B03	ARANDELA GLOVER Ø8	SPRING WASHER Ø8
4	SP-BD3000E-B04	TUERCA M8	FLANGE NUT M8
5	SP-BD3000E-B05	CUBIERTA SILENCIADOR	MUFFLER COVER
6	SP-BD3000E-B06	TORNILLO M6X12	FLANGE BOLT M6X12
7	SP-BD3000E-B07	TORNILLO M8X16	FLANGE BOLT M8X16
8	SP-BD3000E-B08	SOPORTE SILENCIADOR	MUFFLER BRACKETS

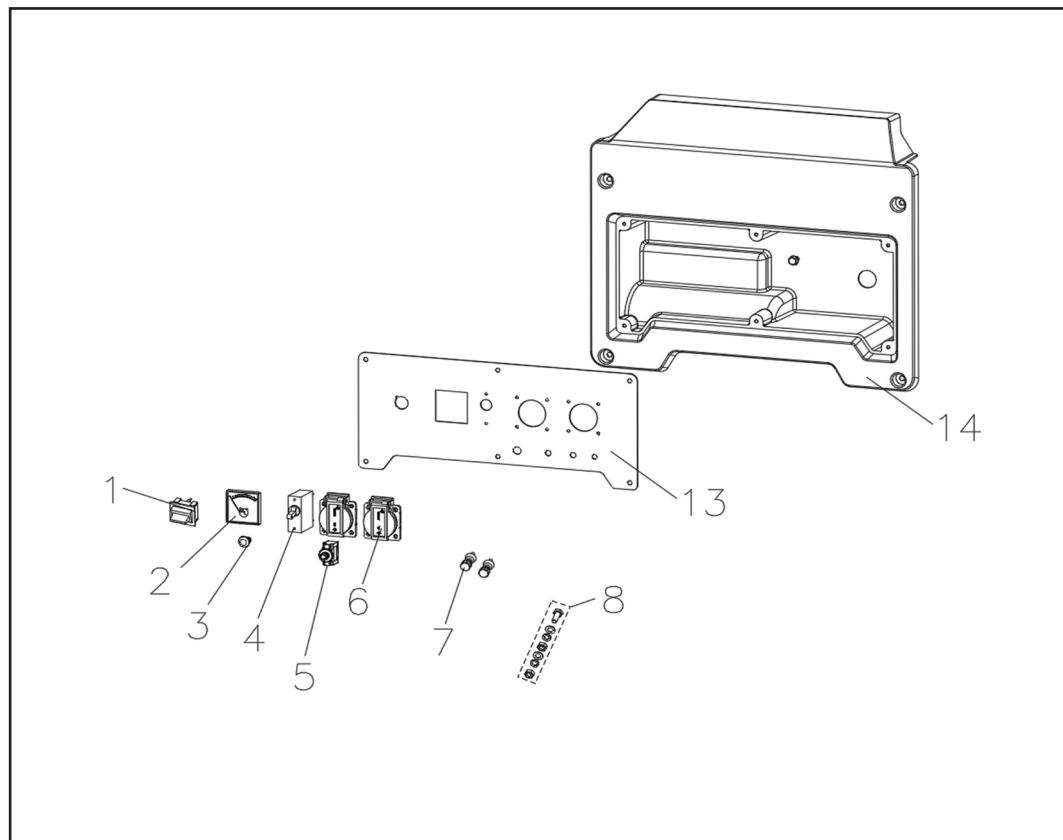


Nº	REF.	DESCRIPCIÓN (ES)	DESCRIPTION (EN)
1	SP-ALT-3	ALTERNADOR 3 KW MONOFÁSICO	3.0 KW MONOPHASE ALTERNATOR ASSY
4	SP-ALT-ESC-3	ESCOBILLAS 3KW	3.0KW CARBON BRUSH
11	SP-ALT-AVR-2	AVR 2/3 KW MONOFASICO	2/3 KW MONOPHASE AVR

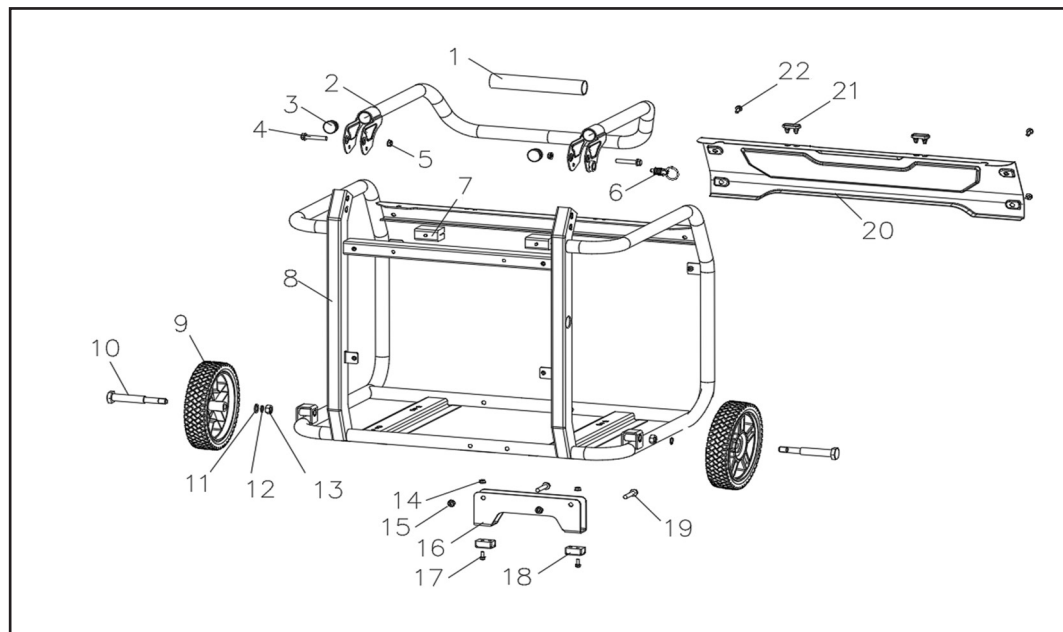


Nº	REF.	DESCRIPCIÓN (ES)	DESCRIPTION (EN)
1	SP-BD3000E-D01	TAPON COMBUSTIBLE	FUEL TANK CAP
2	SP-BD3000E-D02	ANILLO PRE-FILTRO	FUEL TANK IRON RING
3	SP-BD3000E-D03	PRE-FILTRO COMBUSTIBLE	FUEL TANK FILTER
4	SP-BD3000E-D04	DEPOSITO COMBUSTIBLE	FUEL TANK
5	SP-BD3000E-D05	GRIFO COMBUSTIBLE	FUEL TANK SWITCH
6	SP-BD3000E-D06	TUBO Ø4,5X8,5	TUBE Ø4.5X8.5
7	SP-BD3000E-D07	ABRAZADERA	PIPE CLAMP
8	SP-BD3000E-D08	INDICADOR NIVEL COMBUSTIBLE	FUEL LEVEL INDICATOR-ROUND
9	SP-BD3000E-D09	GOMA DEPOSITO COMBUSTIBLE	FUEL TANK RUBBER
10	SP-BD3000E-D10	CASQUILLO	FUEL TANK PIN
11	SP-BD3000E-D11	ARANDELA Ø6X25X1,5	FLAT WASHER Ø6X25X1.5
12	SP-BD3000E-D12	TORNILLO M6X22	HEXAGON FLANGE BOLT M6X22





Nº	REF.	DESCRIPCIÓN (ES)	DESCRIPTION (EN)
1	SP-PC-SWITCH	INTERRUPTOR ON / OFF INVERTER	ON / OFF SWITCH STARTER INVERTER
2	SP-PC-VOLT-1PH	VOLTIMETRO ANALOGICO MONOFASICO CUADRADO	ANALOGIC VOLTMETER SINGLE PHASE
3	SP-BD3000E-E03	INDICADOR 220V 25CM	INDICATOR LIGHT 220V 25CM
4	SP-PC-INT-3P-10A	INTERRUPTOR TERMICO 3P 10A	BLACK TERMIC 3P 10A
5	SP-PC-OVER-5A	PROTECTOR SOBRECARGA 5A	OVERLOAD PROTECTOR 5A
6	SP-PC-BASE-SCH-16A-IP44	BASE 16A 230V IP44	EURO SOCKET IP44
7	SP-PC-CON-12V	TERMINALES 12V CC (TERMINALES ROJO Y NEGRO)	12V/DC TERMINALS (RED AND BLACK TERMINALS)
8	SP-PC-CON-EARTH	TUERCA TOMA DE TIERRA	GROUNDING NUT
13	SP-BD3000E-E13	PLACA PANEL CONTROL	CONTROL PANEL
14	SP-BD3000E-E14	CAJA PANEL CONTROL	CONTROL PANEL BOX



Nº	REF.	DESCRIPCIÓN (ES)	DESCRIPTION (EN)
1	SP-BD3000E-F01	PROTECTOR MANGO Ø26XØ36X210	FOAM STICK Ø26XØ36X210
2	SP-BD3000E-F02	MANGO TRANSPORTE Ø25	HANDLE Ø25
3	SP-BD3000E-F03	TAPON MANGO Ø26	PIPE BLOCKAGE Ø26
4	SP-BD3000E-F04	TORNILLO M8X48	HEXAGON FLANGE BOLT M8X48
5	SP-BD3000E-F05	TUERCA M8	HEXAGONAL FLANGE LOCK NUTS M8
6	SP-BD3000E-F06	PASADOR	HANDLE PIN
7	SP-BD3000E-F07	ALMOHADILLA DEPOSITO COMBUSTIBLE	FUEL TANK OPENING PAD
8	SP-BD3000E-F08	CHASIS	GASOLINE GENERATOR FRAME
9	SP-BD3000E-F09	RUEDA	PLASTIC WHEEL
10	SP-BD3000E-F10	EJE RUEDA	PLASTIC WHEEL SHORT SHAFT
11	SP-BD3000E-F11	ARANDELA Ø12X24X2	FLAT WASHER Ø12X24X2
12	SP-BD3000E-F12	ARANDELA GLOVER Ø12	SPRING WASHER MEDIUM Ø12
13	SP-BD3000E-F13	TUERCA M12	HEX NUTS M12
14	SP-BD3000E-F14	TUERCA M6	HEXAGONAL FLANGE LOCK NUT M6
15	SP-BD3000E-F15	TUERCA M8	HEXAGONAL FLANGE LOCK NUT M8
16	SP-BD3000E-F16	SOPORTE PIES DE APOYO	SUPPORT FEET SPRAYED
17	SP-BD3000E-F17	TORNILLO M6X12	HEXAGON FLANGE BOLTS M6X12
18	SP-BD3000E-F18	PIES DE APOYO	RACK FEET
19	SP-BD3000E-F19	TORNILLO M8X40	HEXAGON FLANGE BOLT M8X40
20	SP-BD3000E-F20	EMBELLECEDOR TRASERO	GASOLINE ENGINE GUARD PLATE SPRAYED
21	SP-BD3000E-F21	ALMOHADILLA EMBELLECEDOR	HANDLE SQUARE PAD
22	SP-BD3000E-F22	TORNILLO M6X12	HEXAGON FLANGE BOLT M6X12