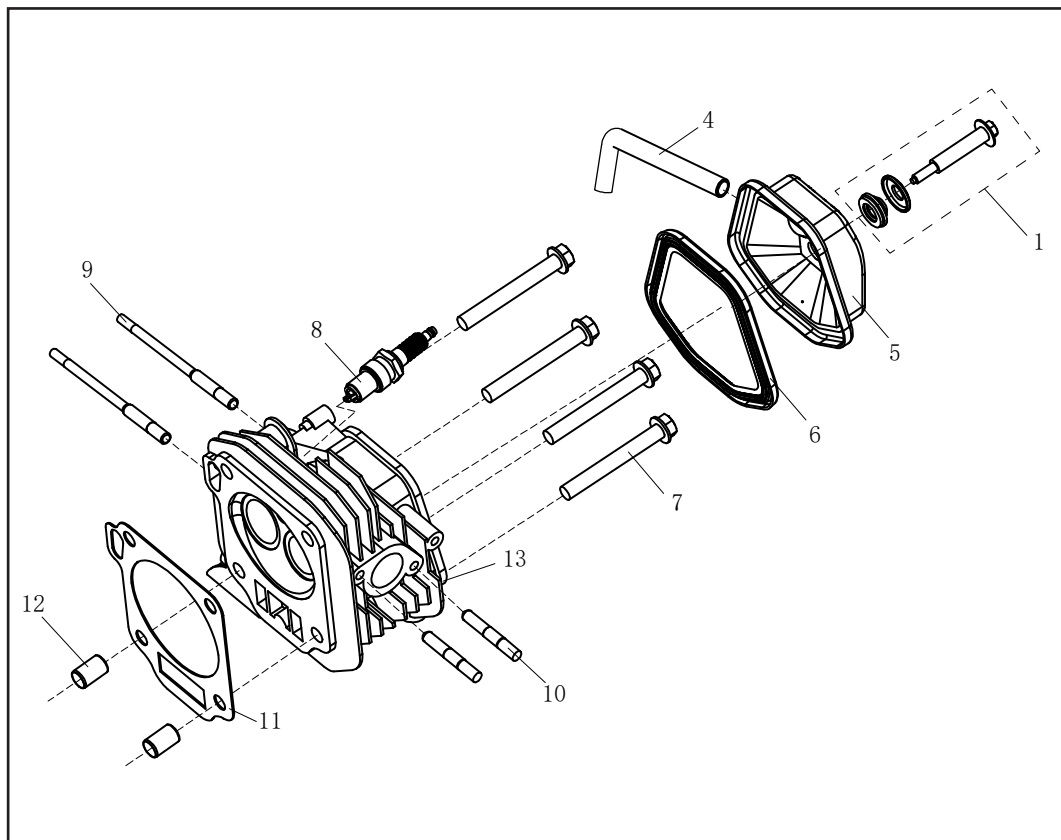


# **DESPIECE** **SPAREPARTS**

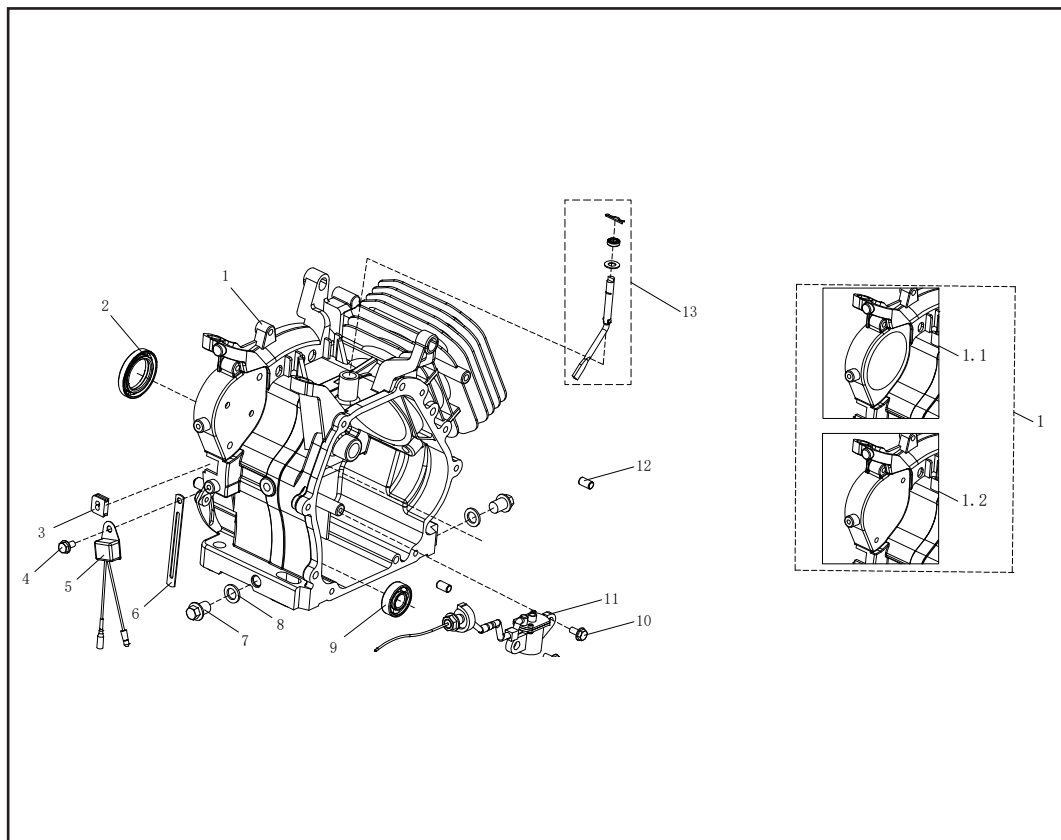
**GENERADOR GASOLINA:  
BXGNP6510E**

**MOTOR: LS420**

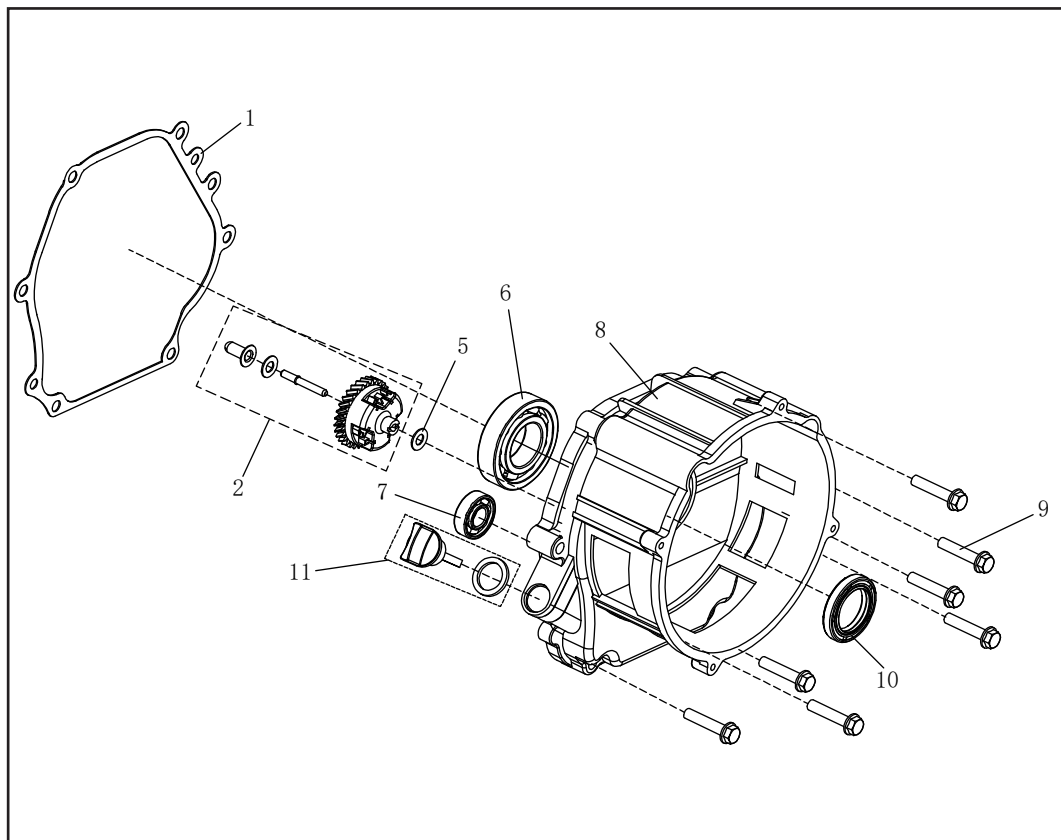




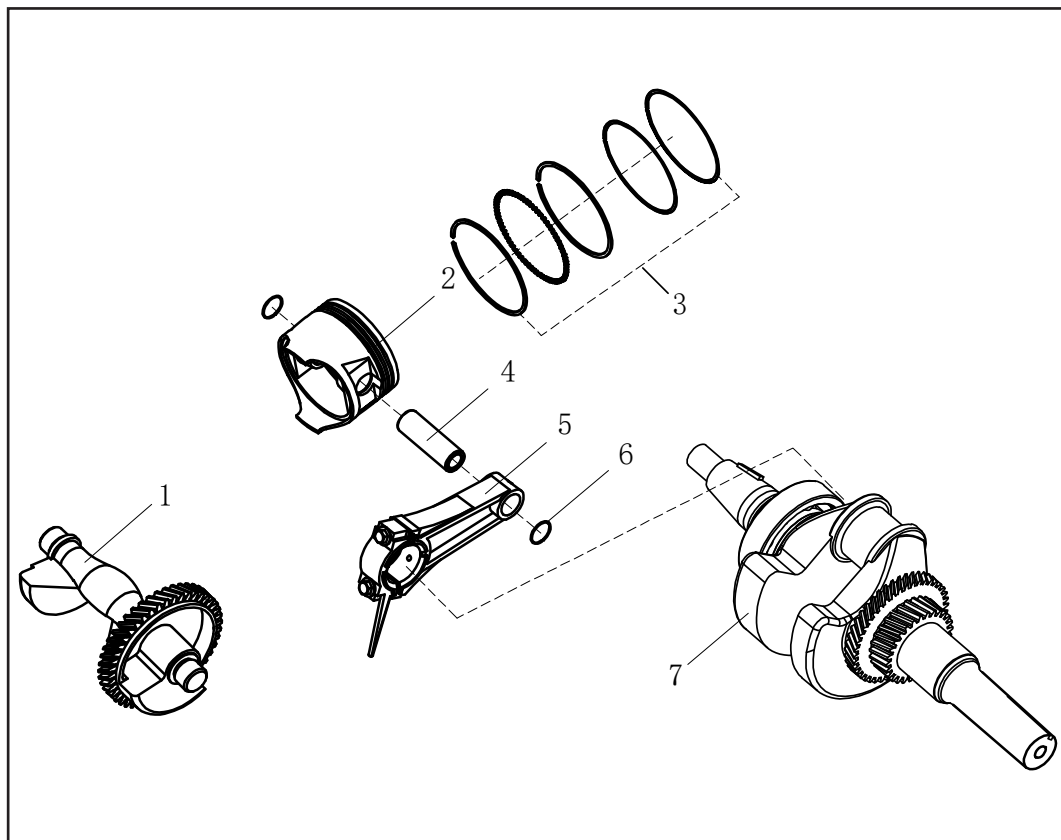
Nº	REF.	DESCRIPCIÓN (ES)	DESCRIPTION (EN)
1	SP-LS420-A01	TORNILLO TAPA VALVULAS	BOLT
4	SP-LS420-A04	TUBO RESPIRADERO	BREATHER TUBE
5	SP-LS420-A05	TAPA VALVULAS	CYLINDER COVER COMP
6	SP-LS420-A06	JUNTA TAPA VALVULAS	HEAD COVER GASKET
7	SP-LS420-A07	TORNILLO M10X80	HEXAGON FLANGE BOLT M10X80
8	SP-BUJIA-F7RTC	BUJIA TORCH F7RTC	SPARK PULG TORCH F7RTC
9-1	SP-LS420-A09-1	ESPARRAGO M6XM8X106	AIR INTAKE BOLT M6XM8X106
9-2	SP-LS420-A09-2	ESPARRAGO M6XM8X111	AIR INTAKE BOLT M6XM8X111
10	SP-LS420-A10	ESPARRAGO M8X32	AIR EXHAUST BOLT M8X32
11	SP-LS420-A11	JUNTA CULATA LS420	CYLINDER HEAD GASKET LS420
12	SP-LS420-A12	CASQUILLO GUIA CULATA Ø12X20	LOCATING PIN Ø12X20
13	SP-LS420-A13	CULATA LS420	CYLINDER HEAD LS420



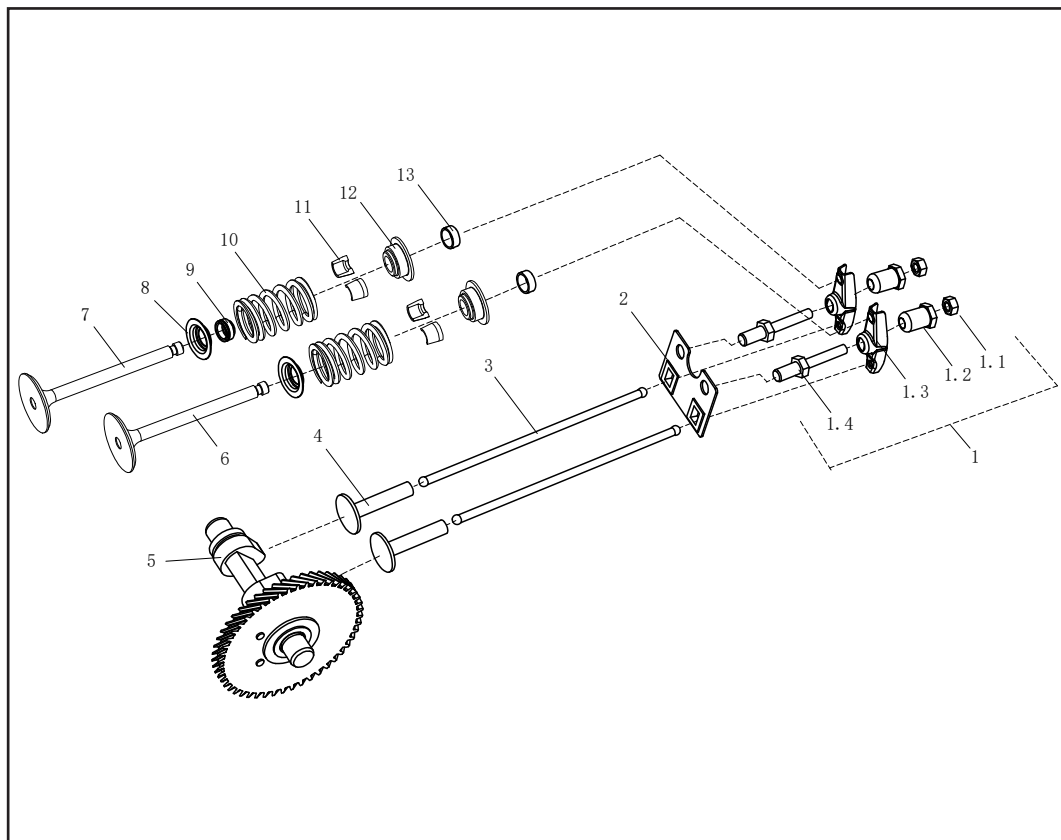
Nº	REF.	DESCRIPCIÓN (ES)	DESCRIPTION (EN)
1-1	SP-LS420-B01-1	BLOQUE MOTOR LS420 (ARRANQUE ELECTRIC)	CRANKCASE (ELECTRIC START) LS420
1-2	SP-LS420-B01-2	BLOQUE MOTOR LS420	CRANKCASE LS420
2	SP-LS420-B02	RETEN Ø35XØ52X8	OIL SEAL Ø35XØ52X8
3	SP-LS420-B03	SELLO DE GOMA	CRANKCASE RUBBER SEALING RING
4	SP-LS420-B04	TORNILLO M6X12	HEXAGON FLANGE BOLT M6X12
5	SP-LS420-B05	DIODE	DIODE
6	SP-LS420-B06	CLIP PARA CABLES	WIRE CLIP
7	SP-LS420-B07	TORNILLO DRENAJE M12X1,5	DRAIN PLUG M12X1.5
8	SP-LS420-B08	JUNTA DRENAJE Ø12XØ20X1,5	DRAIN PLUG WASHER Ø12XØ20X1.5
9	SP-LS420-B09	COJINETE 6202P53	BEARING 6202P53
10	SP-LS420-B10	TORNILLO M6X14	HEXAGON FLANGE BOLT M6X14
11	SP-LS420-B11	SENSOR NIVEL ACEITE	OIL LEVEL SENSOR
12	SP-LS420-B12	CASQUILLO Ø8X14	LOCATING PIN Ø8X14
13	SP-LS420-B13	PALANCA GOBERNADOR	GOVERNOR ARM



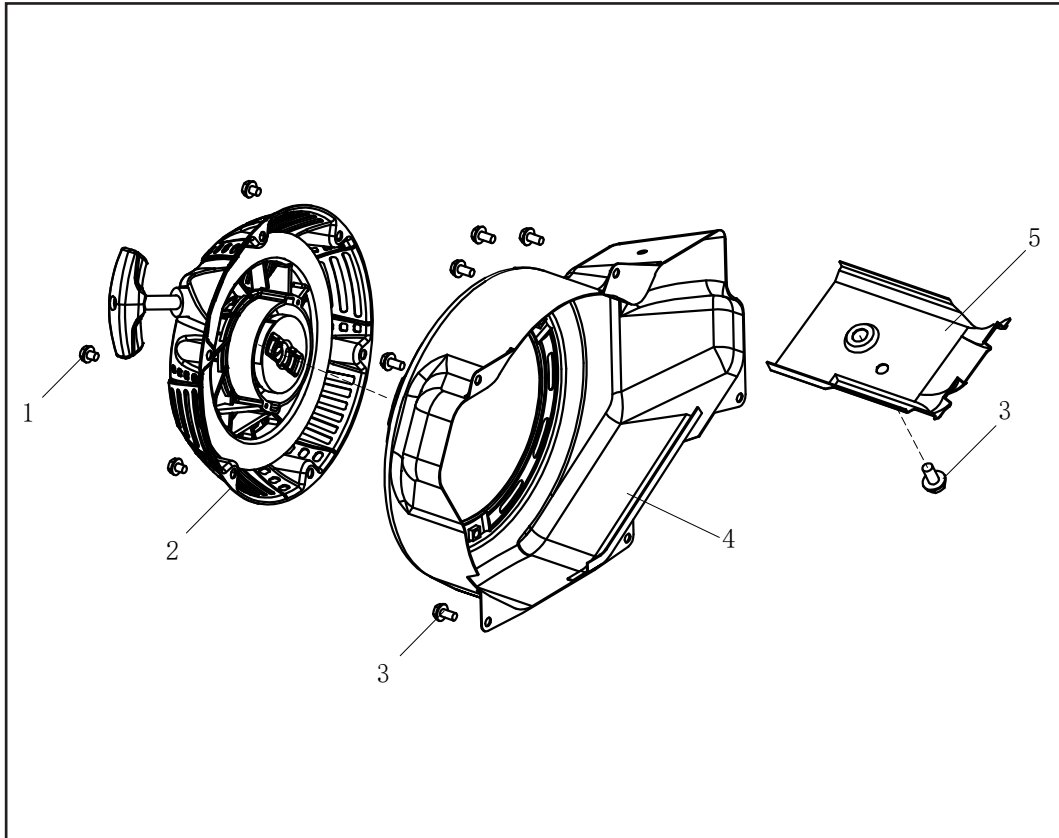
Nº	REF.	DESCRIPCIÓN (ES)	DESCRIPTION (EN)
1	SP-LS420-C01	JUNTA BLOQUE MOTOR	CRANKCASE GASKET
2	SP-LS420-C02	GOBERNADOR	GOVERNOR
5	SP-LS420-C05	ARANDELA Ø6,2XØ13X1	GOVERNOR GEAR WASHER Ø6.2XØ13X1
6	SP-LS420-C06	COJINETE 6207P53	BEARING 6207P53
7	SP-LS420-C07	COJINETE 6202P53	BEARING 6202P53
8	SP-LS420-C08	TAPA BLOQUE MOTOR	CRANKCASE COVER
9	SP-LS420-C09	TORNILLO M8X40	HEXAGON FLANGE BOLT M8X40
10	SP-LS420-C10	RETEN Ø35XØ52X8	OIL SEAL Ø35XØ52X8
11	SP-LS420-C11	VARILLA NIVEL ACEITE M27	OIL GAUGE M27



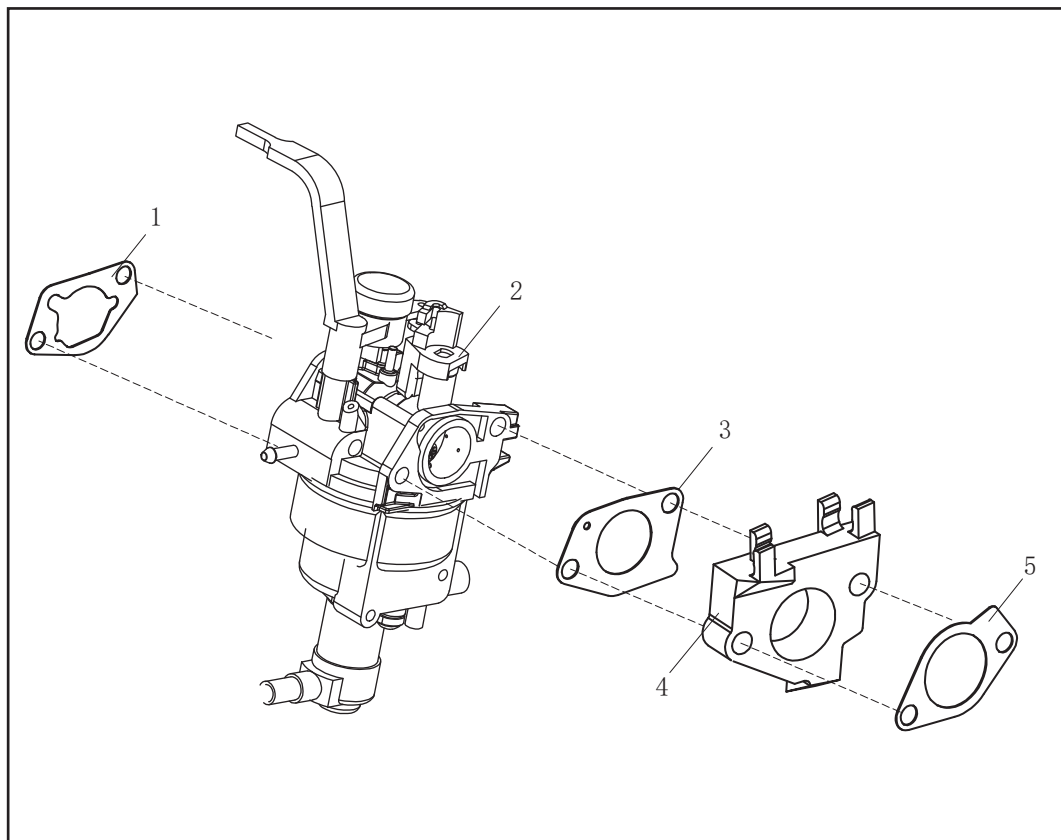
Nº	REF.	DESCRIPCIÓN (ES)	DESCRIPTION (EN)
1	SP-LS420-D01	EJE BALANCIN	BALANCE SHAFT
2	SP-LS420-D02	PISTON LS420	PISTON LS420
3	SP-LS420-D03	JUEGO SEGMENTOS LS420	PISTON RING LS420
4	SP-LS420-D04	BURLON PISTON	PISTON PIN
5	SP-LS420-D05	BIELA COMPLETA	CONNECTING ROD
6	SP-LS420-D06	CLIP SUJECION BURLON	PISTON PIN CLIP
7	SP-LS420-D07	CIGÜEÑAL LS420	CRANKSHAFT LS420



Nº	REF.	DESCRIPCIÓN (ES)	DESCRIPTION (EN)
1	SP-LS420-E01	JUEGO BALANCINES	ROCKER ARM
1-1	SP-LS420-E01-1	TUERCA BLOQUEO VALVULA	VALVE LOCKING NUT
1-2	SP-LS420-E01-2	TUERCA AJUSTE VALVULA	VALVE ADJUSTING NUT
1-3	SP-LS420-E01-3	BALANCIN	VALVE ROCKER
1-4	SP-LS420-E01-4	TORNILLO AJUSTE VALVULA	VALVE ADJUSTING BOLT
2	SP-LS420-E02	GUIA VARILLAS	PUSHING ROD BRACKET
3	SP-LS420-E03	VARILLAS EMPUJE BALANCINES	PUSHING ROD
4	SP-LS420-E04	ASIENTO VARILLAS EMPUJE	LIFTER
5	SP-LS420-E05	ARBOL LEVAS LS420	CAMSHAFT ASSY LS420
6	SP-LS420-E06	VALVULA ESCAPE	EXHAUST VALVE
7	SP-LS420-E07	VALVULA ADMISION	INTAKE VALVE
8	SP-LS420-E08	ASIENTO INFERIOR MUELLE	SPRING UNDER SEAT
9	SP-LS420-E09	RETEN MUELLE VALVULA	VALVE OIL SEAL
10	SP-LS420-E10	MUELLE VALVULA	VALVE SPRING
11	SP-LS420-E11	FIJADOR VALVULA	VALVE LOCK CLIP
12	SP-LS420-E12	ASIENTO MUELLE VALVULA	VALVE SPRING SEAT
13	SP-LS420-E13	TOPE VALVULA	TOP CAP



Nº	REF.	DESCRIPCIÓN (ES)	DESCRIPTION (EN)
1	SP-LS420-F01	TORNILLO M6X8	HEXAGON FLANGE BOLT M6X8
2	SP-LS420-F02	ARRANCADOR MANUAL	RECOIL STARTER ASSY (GENERATOR )
3	SP-LS420-F03	TORNILLO M6X12	HEXAGON FLANGE BOLT M6X12
4	SP-LS420-F04	CUBIERTA VENTILADOR LS420	FAN CASE LS420
5	SP-LS420-F05	PROTECTOR VIENTO	WIND SHIELD



Nº	REF.	DESCRIPCIÓN (ES)	DESCRIPTION (EN)
1	SP-LS420-G01	JUNTA FILTRO AIRE	AIR FILTER GASKET
2	SP-LS420-G02	CARBURADOR LS420	CARBURETOR LS420
3	SP-LS420-G03	JUNTA PLACA AISLANTE	INSULATION BOARD GASKET
4	SP-LS420-G04	PLACA AISLANTE	INSULATION BOARD
5	SP-LS420-G05	JUNTA ADMISION	AIR INLET GASKET
6	SP-LS420-G06	PALANCA CARBURADOR	CARBURETOR LEVER

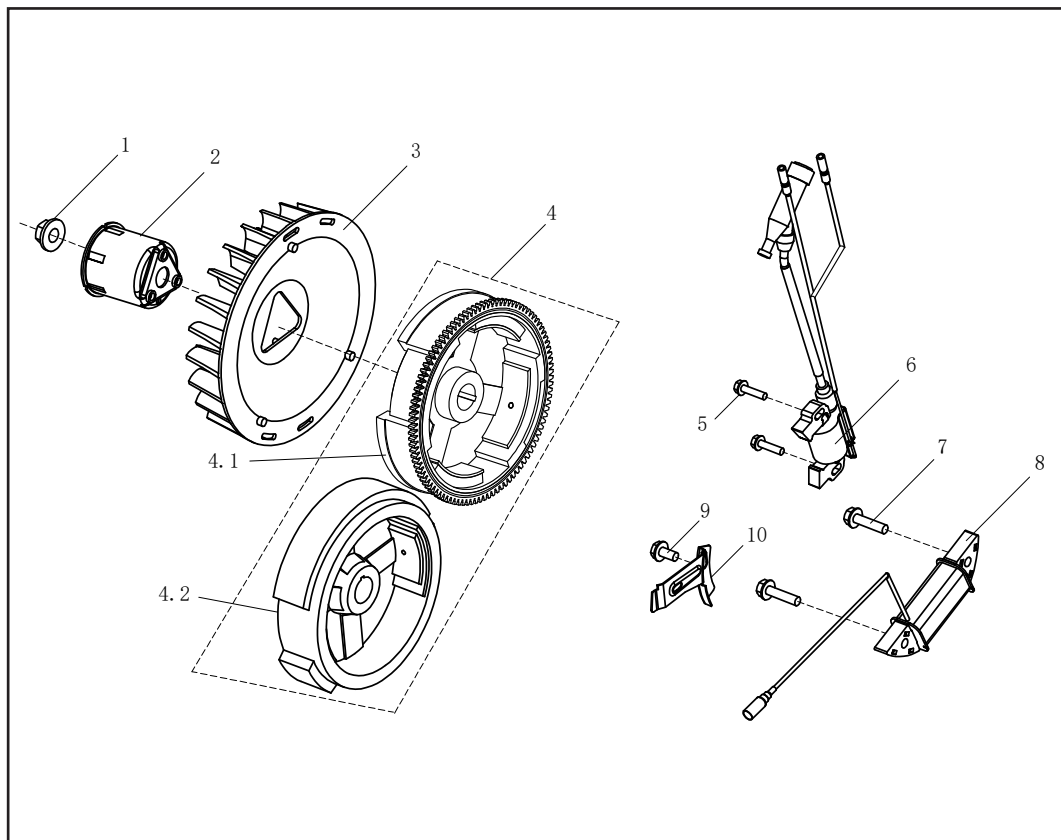


SP-LS420-G02

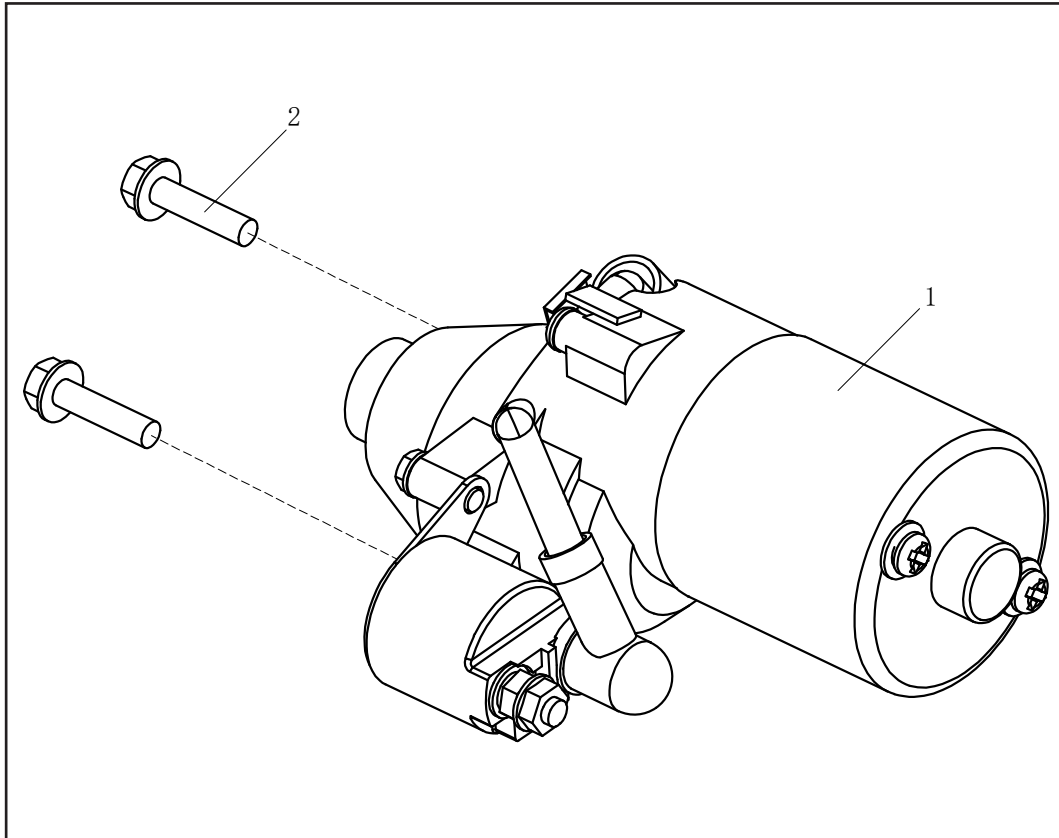


SP-LS420-G06

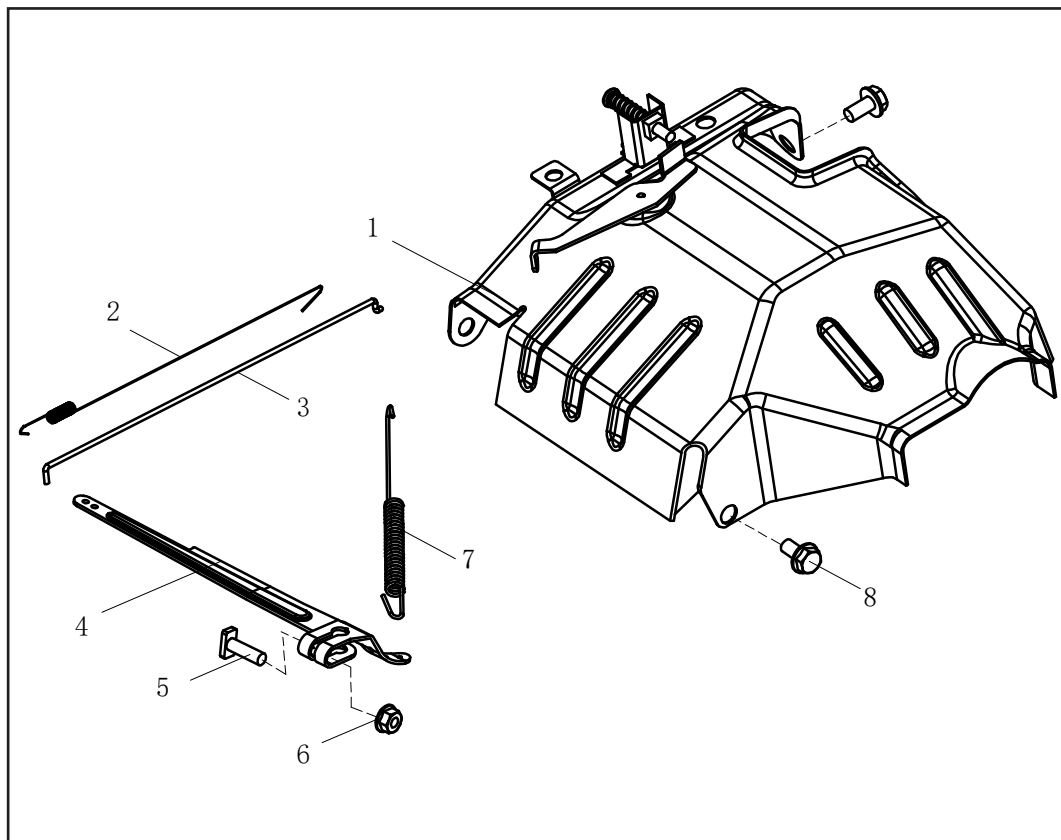




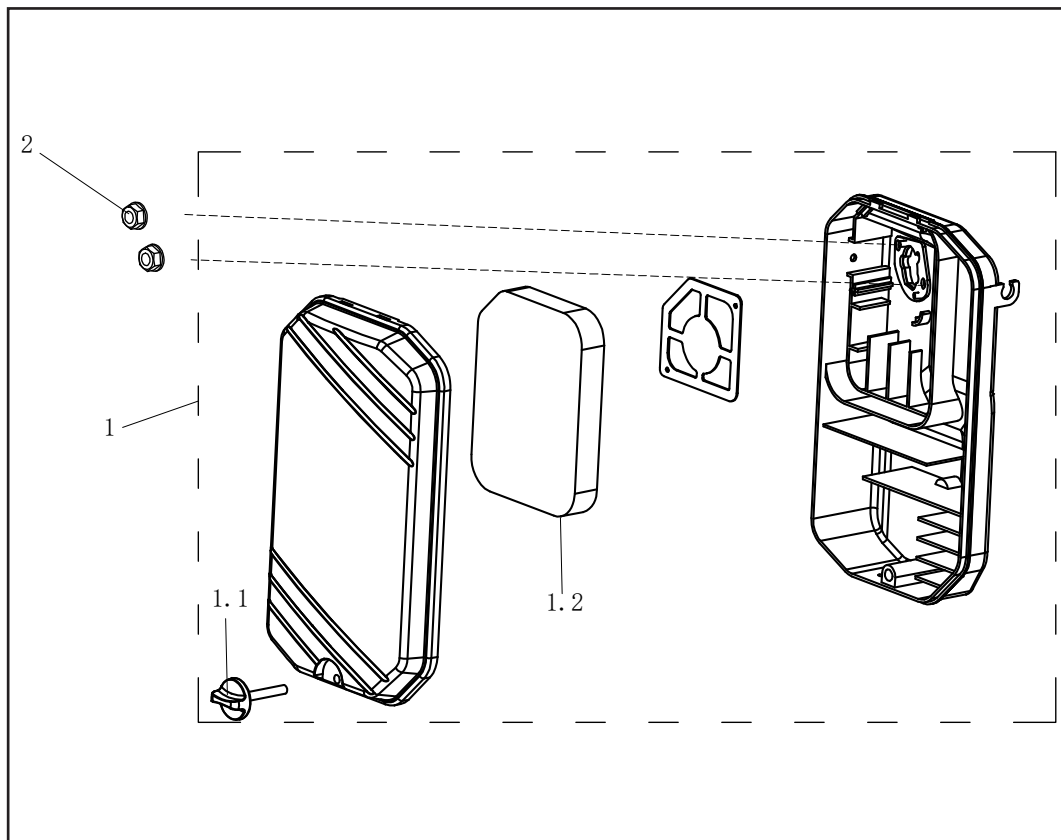
Nº	REF.	DESCRIPCIÓN (ES)	DESCRIPTION (EN)
1	SP-LS420-I01	TUERCA VOLANTE INERCIA	FLYWHEEL NUT
2	SP-LS420-I02	ACOPLE ARRANCADOR	STARTER CUP
3	SP-LS420-I03	VENTILADOR	COOLING FAN
4-1	SP-LS420-I04-1	VOLANTE INERCIA (ELECTRICO)	FLYWHEEL (ELECTRIC START)
4-2	SP-LS420-I04-2	VOLANTE INERCIA (MANUAL)	FLYWHEEL
5	SP-LS420-I05	TORNILLO M6X25	HEXAGON FLANGE BOLT M6X25
6	SP-LS420-I06	BOBINA BUJIA	HIGH VOLTAGE SET
7	SP-LS420-I07	TORNILLO M6X30	HEXAGON FLANGE BOLT M6X30
8	SP-LS420-I08	BOBINA DE CARGA	CHARGING COIL
9	SP-LS420-I09	TORNILLO M6X12	HEXAGON FLANGE BOLT M6X12
10	SP-LS420-I10	SOPORTE CABLE	WIRE CLAMP



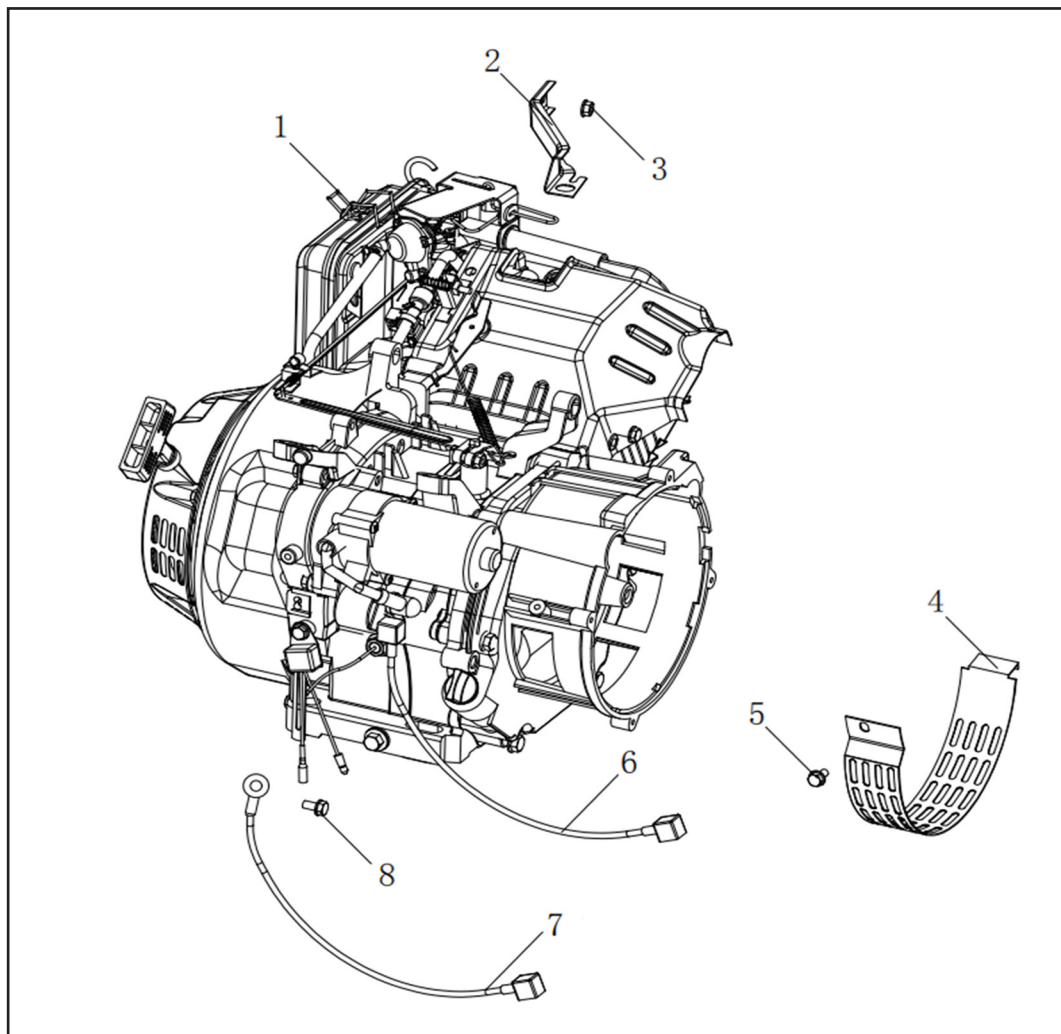
Nº	REF.	DESCRIPCIÓN (ES)	DESCRIPTION (EN)
1	SP-LS420-J01	MOTOR ARRANQUE	STARTING MOTOR
2	SP-LS420-J02	TORNILLO M8X35	HEXAGON FLANGE BOLT M8X35



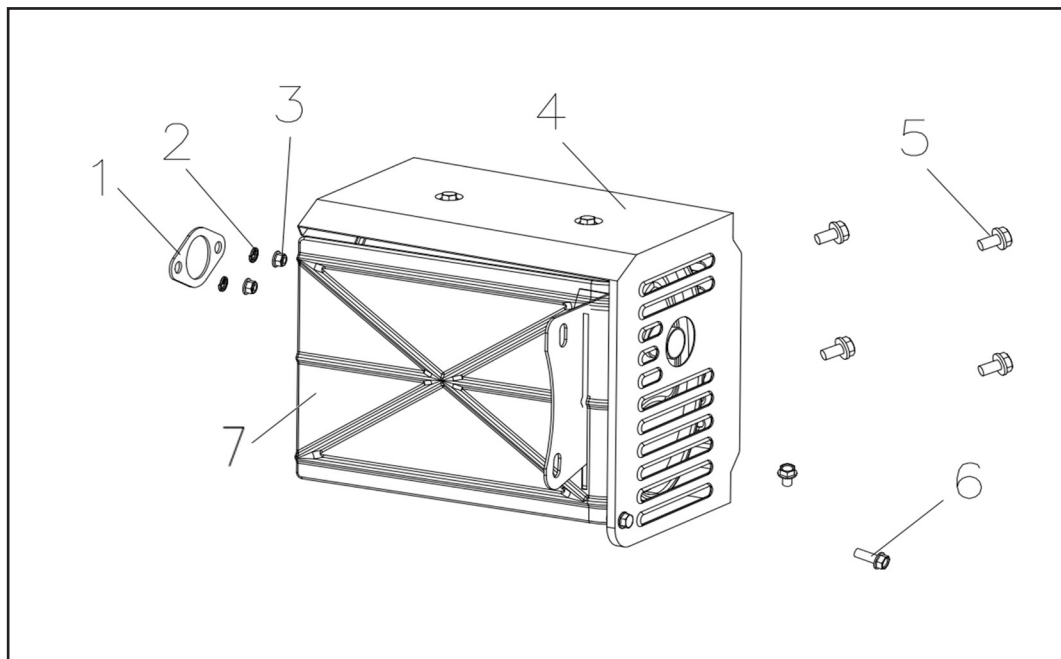
Nº	REF.	DESCRIPCIÓN (ES)	DESCRIPTION (EN)
1	SP-LS420-K01	ASIENTO ACELERADOR LS420	SPEED REGULATING SEAT LS420
2	SP-LS420-K02	MUELLE PALANCA ACELERADOR	FINE ADJUSTING SPRING
3	SP-LS420-K03	VARILLA ACELERADOR	GOVERNOR ROD
4	SP-LS420-K04	PALANCA ACELERADOR	GOVERNOR ARM
5	SP-LS420-K05	TORNILLO TIPO T M6	T-TYPE BOLT
6	SP-LS420-K06	TUERCA M6	HEXAGON FLANGE NUT M6
7	SP-LS420-K07	MUELLE PALANCA ACELERADOR 130MM	OFFSETTING SPRING 130MM
8	SP-LS420-K08	TORNILLO M6X12	HEXAGON BOLT M6X12



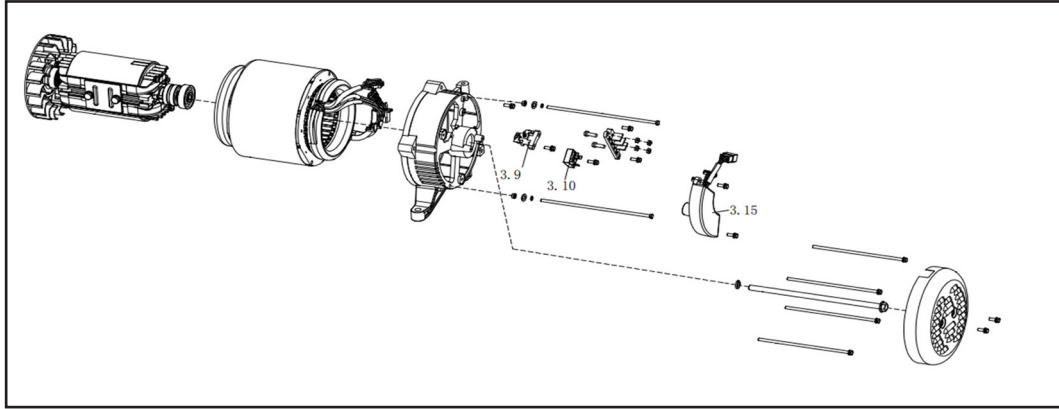
Nº	REF.	DESCRIPCIÓN (ES)	DESCRIPTION (EN)
1	SP-LS420-L01	CONJ. FILTRO AIRE	AIR CLEANER ASSY
1-1	SP-LS420-L01-1	PALOMILLA FILTRO AIRE	AIR CLEANER ASSY BOLT
1-2	SP-LS420-L01-2	ELEMENTO FILTRANTE	AIR CLEANER ELEMENT
2	SP-LS420-L02	TUERCA M6	HEXAGON FLANGE NUT M6



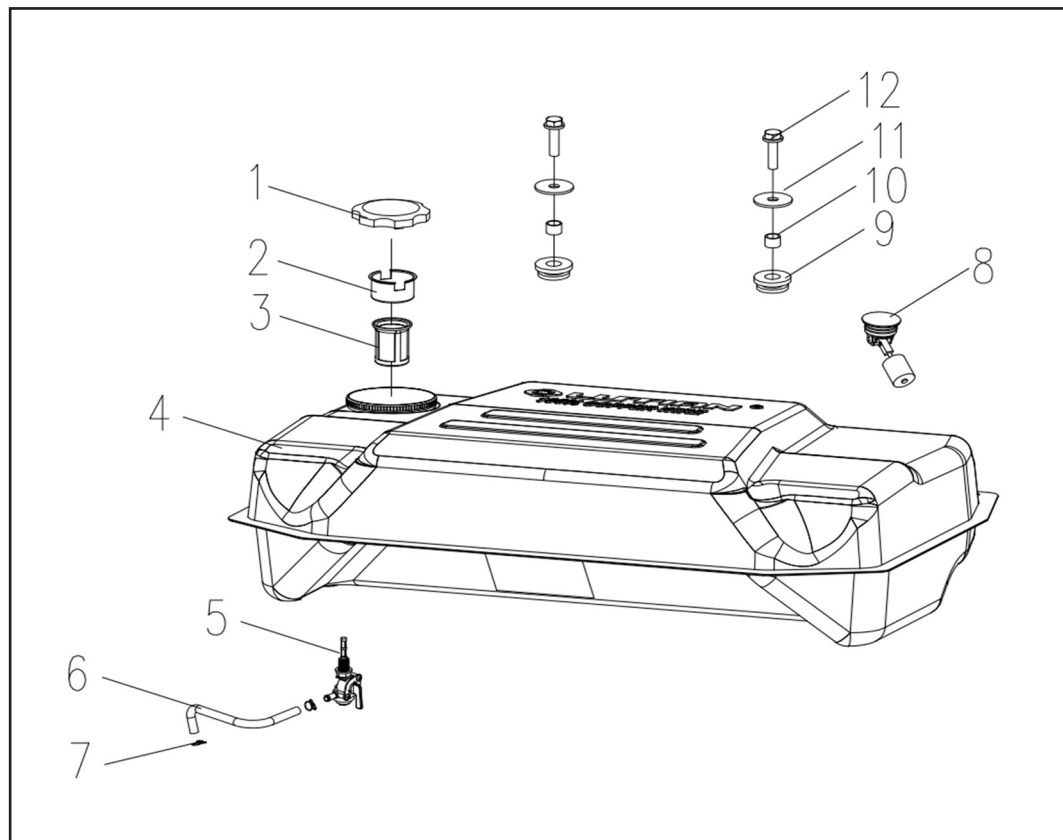
Nº	REF.	DESCRIPCIÓN (ES)	DESCRIPTION (EN)
1	IT-LS420	MOTOR LS420 GASOLINA 420cc - EJE CONICO	ENGINE LS420
2	SP-BD6510E-A02	SOPORTE FILTRO AIRE	AIR FILTER BRACKET
3	SP-BD6510E-A03	TUERCA M6	HEXAGON FLANGE LOCK NUT M6
4	SP-BD6510E-A04	MALLA DEL MOTOR	MOTOR MESH
5	SP-BD6510E-A05	TORNILLO M5X12	HEXAGON FLANGE BOLT M5X12
6	SP-BD6510E-A06	CABLE ROJO L=460MM	RED MOTOR LINE L=460MM
7	SP-BD6510E-A07	CABLE NEGRO L=460MM	BLACK MOTOR LINE L=460MM
8	SP-BD6510E-A08	TORNILLO M6X12	HEXAGON FLANGE BOLT M6X12



Nº	REF.	DESCRIPCIÓN (ES)	DESCRIPTION (EN)
1	SP-BD6510E-B01	JUNTA SILENCIADOR	MUFFLER GASKET
2	SP-BD6510E-B02	ARANDELA GLOVER Ø8	SPRING WASHER Ø8
3	SP-BD6510E-B03	TUERCA M8	HEXAGON FLANGE LOCK NUT M8
4	SP-BD6510E-B04	CARCASA SILENCIADOR	MUFFLER COVER
5	SP-BD6510E-B05	TORNILLO M6X8	HEXAGON FLANGE BOLT M6X8
6	SP-BD6510E-B06	TORNILLO M8X16	HEXAGON FLANGE BOLT M8X16
7	SP-BD6510E-B07	SILENCIADOR ESCAPE	SILENCER

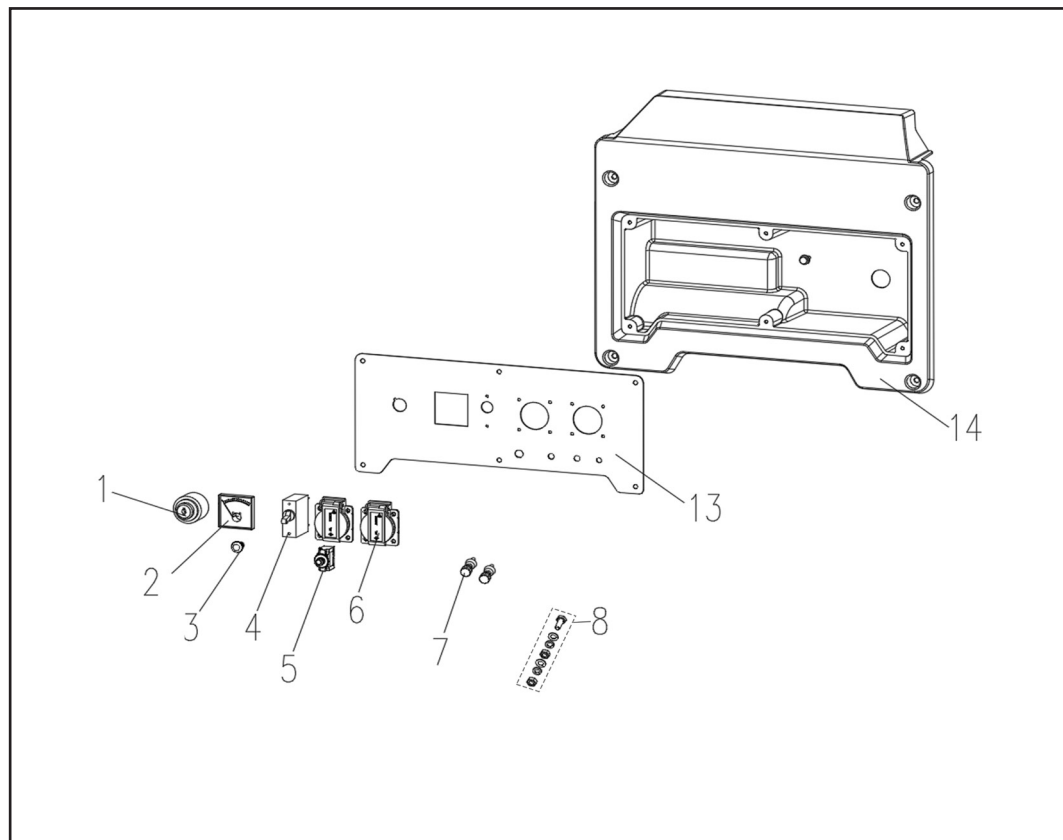


Nº	REF.	DESCRIPCIÓN (ES)	DESCRIPTION (EN)
1	SP-ALT-6-3-230V	ALTERNADOR 6 KW TRIFASICO A 230v	ALTERNATOR 6 KW THREE FASE 230V
9	SP-ALT-ESC-5	ESCOBILLAS 5KW	5KW CARBON BRUSH
15	SP-ALT-AVR-5-3	AVR 5/6KW TRIFASICO 230V	THREE FASE AVR 5/6KW 230V

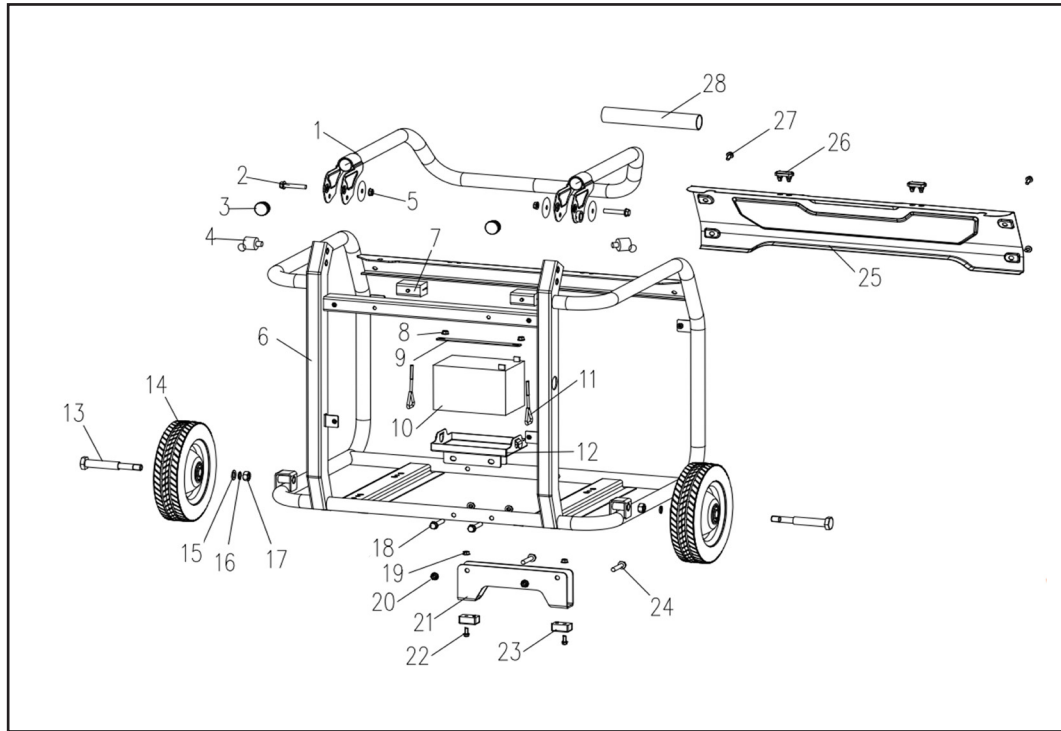


Nº	REF.	DESCRIPCIÓN (ES)	DESCRIPTION (EN)
1	SP-BD6510E-D01	TAPON COMBUSTIBLE	FUEL TANK CAP
2	SP-BD6510E-D02	ANILLO PRE-FILTRO	FUEL TANK IRON RING
3	SP-BD6510E-D03	PRE-FILTRO COMBUSTIBLE	FUEL TANK FILTER
4	SP-BD6510E-D04	DEPOSITO COMBUSTIBLE	FUEL TANK
5	SP-BD6510E-D05	GRIFO COMBUSTIBLE	FUEL TANK SWITCH
6	SP-BD6510E-D06	TUBO Ø4,5X8,5	TUBE Ø4.5X8.5
7	SP-BD6510E-D07	ABRAZADERA	PIPE CLAMP
8	SP-BD6510E-D08	INDICADOR NIVEL COMBUSTIBLE	FUEL LEVEL INDICATOR-ROUND
9	SP-BD6510E-D09	GOMA DEPOSITO COMBUSTIBLE	FUEL TANK RUBBER
10	SP-BD6510E-D10	CASQUILLO	FUEL TANK PIN
11	SP-BD6510E-D11	ARANDELA Ø6X25X1,5	FLAT WASHER Ø6X25X1.5
12	SP-BD6510E-D12	TORNILLO M6X22	HEXAGON FLANGE BOLT M6X22





Nº	REF.	DESCRIPCIÓN (ES)	DESCRIPTION (EN)
1	SP-PC-STARTER-G	ARRANQUE LLAVE GASOLINA RENTAL SERIES	KEY STARTER PETROL RENTAL SERIES
2	SP-PC-VOLT-1PH	VOLTIMETRO ANALOGICO MONOFASICO CUADRADO	ANALOGIC VOLTMETER SINGLE PHASE
3	SP-BD3000E-E03	INDICADOR 220V 25CM	INDICATOR LIGHT 220V 25CM
4	SP-PC-INT-1P-25A	INTERRUPTOR TERMICO 25A	BLACK TERMIC 25A
5	SP-PC-OVER-6A	PROTECTOR SOBRECARGA 6A CC	OVERLOAD PROTECTOR 6A
6	SP-PC-BASE-SCH-16A-IP44	BASE 16A 230V IP44	EURO SOCKET IP44
6-1	SP-PC-BASE-SCH-32A-IP44	BASE 32A 3P IP44 230V	INDUSTRIAL SOCKET 32A
7	SP-PC-CON-12V	TERMINALES 12V CC (TERMINALES ROJO Y NEGRO)	12V/DC TERMINALS (RED AND BLACK TERMINALS)
8	SP-PC-CON-EARTH	TUERCA TOMA DE TIERRA	GROUNDING NUT
13	SP-BD6510E-E13	PLACA PANEL CONTROL	METAL PANEL
14	SP-BD6510E-E14	CAJA PANEL CONTROL	CONTROL PANEL BOX



Nº	REF.	DESCRIPCIÓN (ES)	DESCRIPTION (EN)
1	SP-BD6510E-F01	MANGO TRANSPORTE Ø25	HANDLE Ø28
2	SP-BD6510E-F02	TORNILLO M8X48	HEXAGON FLANGE BOLT M8X48
3	SP-BD6510E-F03	TAPON MANGO Ø25	PIPE BLOCKAGE Ø25
4	SP-BD6510E-F04	PASADOR	HANDLE PIN
5	SP-BD6510E-F05	TUERCA M8	HEXAGON LOCK NUT M8
6	SP-BD6510E-F06	CHASIS	GENERATOR FRAME
7	SP-BD6510E-F07	ALMOHADILLA DEPOSITO COMBUSTIBLE	FUEL TANK OPENING PAD
8	SP-BD6510E-F08	TUERCA M5	HEXAGON FLANGE LOCK NUT M5
9	SP-BD6510E-F09	PLACA SUJECION BATERIA	BATTERY LAYERING
10		BATERIA 12V 10AH	BATTERY 12V 10AH
11	SP-BD6510E-F11	VARILLA FIJACION BATERIA M5	TRIANGLE HOOK BOLT M5
12	SP-BD6510E-F12	BASE BATERIA	BATTERY BOX
13	SP-BD6510E-F13	EJE RUEDA	SEMI-TUBULAR WHEEL SHAFT
14	SP-BD6510E-F14	RUEDA	SEMI-HOLLOW WHEELS
15	SP-BD6510E-F15	ARANDELA Ø12X24X2	FLAT WASHER Ø12X24X2
16	SP-BD6510E-F16	ARANDELA GLOVER Ø12	SPRING WASHER Ø12
17	SP-BD6510E-F17	TUERCA M12	HEXAGON NUT M12
18	SP-BD6510E-F18	TORNILLO M8X40	HEXAGON FLANGE BOLTS M8X40
19	SP-BD6510E-F19	TUERCA M6	HEXAGON FLANGE LOCK NUT M6
20	SP-BD6510E-F20	TUERCA M8	HEXAGON FLANGE LOCK NUT M8
21	SP-BD6510E-F21	SOPORTE PIES DE APOYO	SUPPORT FEET
22	SP-BD6510E-F22	TORNILLO M6X12	HEXAGON FLANGE BOLTS M6X12
23	SP-BD6510E-F23	PIES DE APOYO	RACK FEET
24	SP-BD6510E-F24	TORNILLO M8X40	HEXAGON FLANGE BOLTS M8X40
25	SP-BD6510E-F25	EMBELLECEDOR FRONTAL	ENGINE GUARD PLATE
26	SP-BD6510E-F26	ALMOHADILLA EMBELLECEDOR	HANDLE SQUARE PAD
27	SP-BD6510E-F27	TORNILLO M6X12	HEXAGON FLANGE BOLTS M6X12
28	SP-BD6510E-F28	PROTECTOR MANGO Ø29XØ39X240	FOAM STICK Ø29XØ39X240