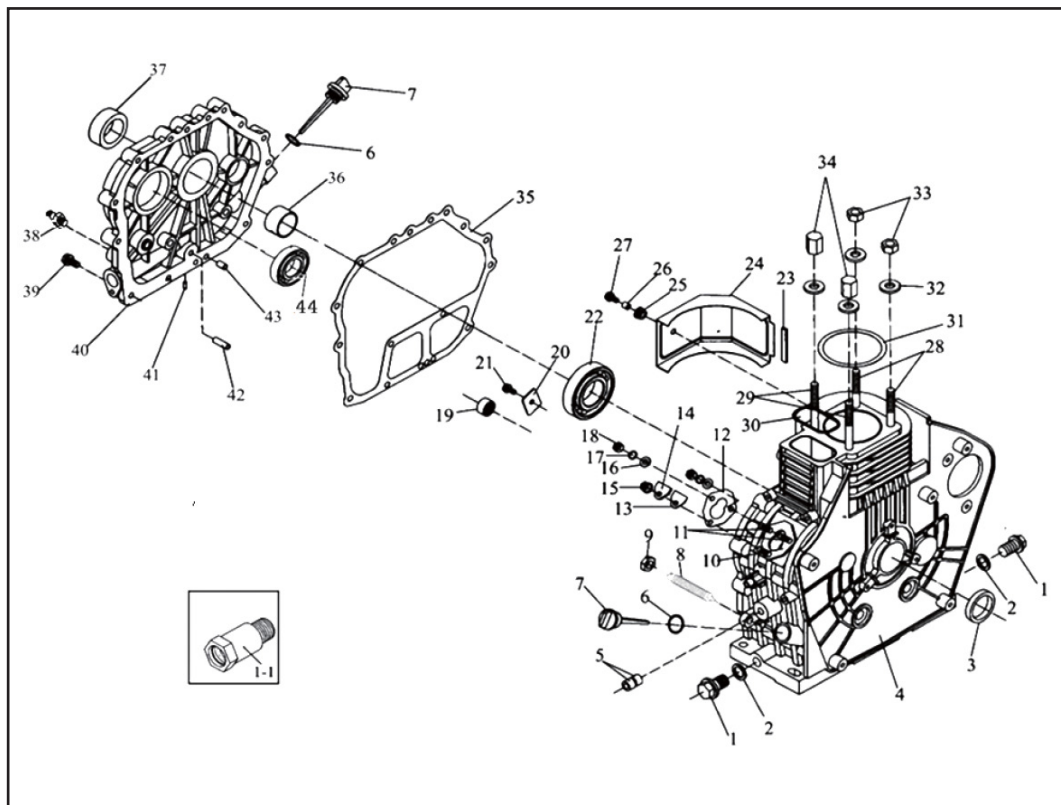


# **DESPIECE** **SPAREPARTS**

**GENERADORES DIÉSEL:  
BXGND5300E / BXGND6300E  
BXGND7900E**

**MOTOR: D400E**

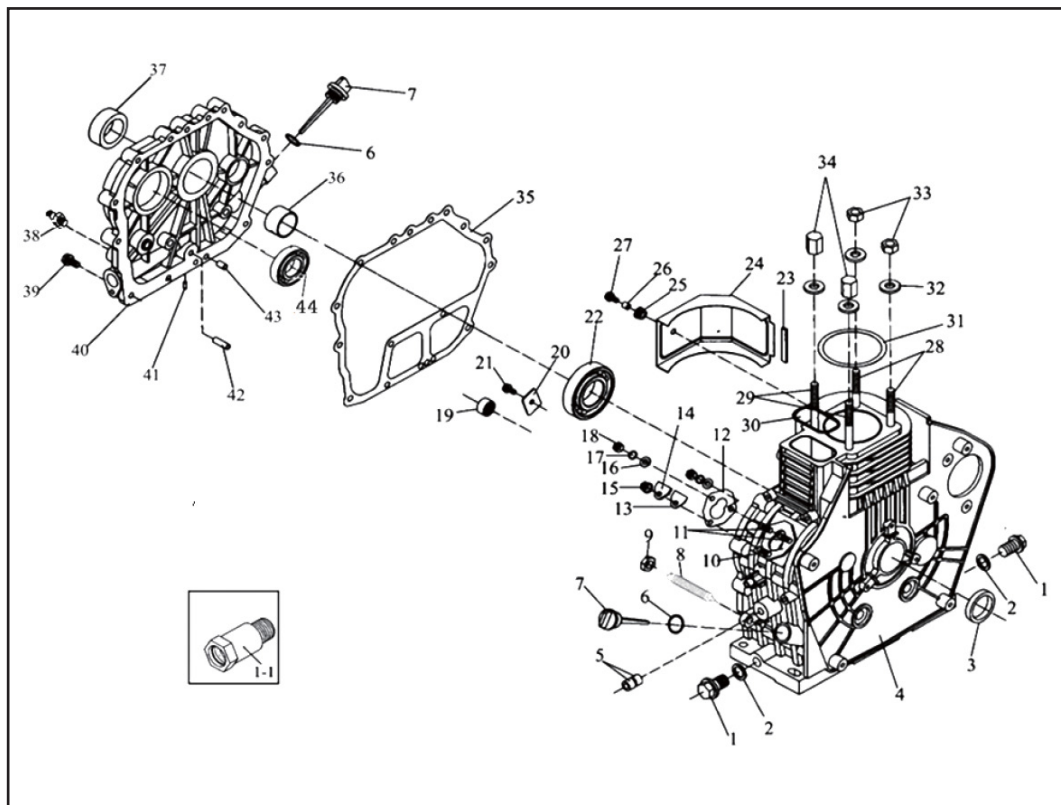




| Nº   | REF.          | DESCRIPCIÓN (ES)                    | DESCRIPTION (EN)                             |
|------|---------------|-------------------------------------|--|
| 1    | SP-D400-A01   | TORNILLO DE DRENAJE M16X16X1,5      | DRAIN PLUG SCREW M16X16X15.5                 |
| 1-1  | SP-D400-A01-1 | PROLONGADOR DEL TORNILLO DE DRENAJE | CONNECTING BOLT OF DRAIN PLUG                |
| 2    | SP-D400-A02   | ARANDELA TORNILLO DRENAJE Ø16,5     | WASHER UNIT OF DRAIN PLUG Ø16.5              |
| 3    | SP-D400-A03   | SELLO DE ACEITE REAL Ø35XØ50X8      | REAL OIL SEAL Ø35xØ50x8                      |
| 4    | SP-D400-A04   | BLOQUE DE MOTOR/CARTER              | ENGINE BLOCK / CRANKCASE                     |
| 4-1  | SP-D450-A04-1 | BLOQUE DE MOTOR/CARTER              | ENGINE BLOCK / CRANKCASE                     |
| 4-2  | SP-D450-A04-2 | BLOQUE DEL CILINDRO                 | CYLINDER BLOCK                               |
| 4-3  | SP-D450-A04-3 | JUNTA DEL BLOQUE DE CILINDRO        | CYLINDER BLOCK GASKET                        |
| 4-4  | SP-D500-A04-4 | BLOQUE DE MOTOR/CARTER              | ENGINE BLOCK / CRANKCASE                     |
| 5    | SP-D400-A05   | COJINETE DE AGUJAS HK081410         | NEEDLE BEARING HK081410                      |
| 6    | SP-D400-A06   | JUNTA Ø24X2.4                       | O-RING Ø24x2.4                               |
| 7    | SP-D400-A07   | VARILLA DE ACEITE                   | OIL DIPSTICK                                 |
| 8    | SP-D400-A08   | TOPE ACELERADOR                     | FUEL CONTROLLER ASSY                         |
| 9    | SP-D400-A09   | TUERCA M10X1,25                     | NUT M10x1.25                                 |
| 10   | SP-D400-A10   | PERNO(CORTO) AM6X30                 | BOLT (SHORT) AM6x30                          |
| 11   | SP-D400-A11   | PERNO(LARGO) AM6X36                 | BOLT (LONG) AM6x36                           |
| 12   | SP-D400-A12   | JUNTA BOMBA COMBUSTIBLE 0,1~0.5MM   | FUEL INJECTION PUMP WASHER 0.1~0.5MM         |
| 13   | SP-D400-A13   | JUNTA BOMBA                         | JOINT WASHER                                 |
| 14   | SP-D400-A14   | PLACA DE SELLO                      | SEAL PLATE                                   |
| 15   | SP-D400-A15   | TUERCA M6                           | NUT M6                                       |
| 16   | SP-D400-A16   | Ø6 ARANDELA PLANA                   | FLAT WASHER Ø6                               |
| 17   | SP-D400-A17   | Ø6 ARANDELA ELASTICA                | SPRING WASHER Ø6                             |
| 18   | SP-D400-A18   | TUERCA M6                           | NUT M6                                       |
| 19   | SP-D400-A19   | IKO COJINETE DE AGUJA TIA1512Z      | IKO NEEDLE BEARING TIA1512Z                  |
| 20   | SP-D400-A20   | PLACA FIJACION                      | THRUST PLATE                                 |
| 21   | SP-D400-A21   | PERNO BRIDA M8X12                   | FLANGE BOLT M8x12                            |
| 22   | SP-D400-A22   | COJINETE DE BOLAS 6308              | BALL BEARING 6308                            |
| 23   | SP-D400-A23   | AMORTIGUADOR DE CHOQUE              | CUSHION SHOCK ABSORBER                       |
| 24   | SP-D400-A24   | DEFLECTOR DEL CILINDRO              | CYLINDER BAFFLE                              |
| 25   | SP-D400-A25   | AMORTIGUADOR DE VIBRACIONES         | VIBRATION ISOLATION CUSHION BLOCK            |
| 26   | SP-D400-A26   | VAINA                               | SHEATH                                       |
| 27   | SP-D400-A27   | TORNILLO DE BRIDA M6X18             | FLANGE BOLT M6x18                            |
| 28   | SP-D400-A28   | TORNILLO DEL CILINDRO AM10X1.5X108  | CYLINDER HEAD STUD BOLT(SHORT) AM10x1.5x108  |
| 28-1 | SP-D450-A28-1 | TORNILLO DEL CILINDRO AM10X1.5X190  | CYLINDER HEAD STUD BOLT (SHORT) AM10x1.5x190 |
| 28-2 | SP-D500-A28-2 | TORNILLO DEL CILINDRO AM12X1.5X108  | CYLINDER HEAD STUD BOLT (SHORT) AM12x1.5x108 |
| 29   | SP-D400-A29   | TORNILLO DEL CILINDRO AM10X1.5X122  | CYLINDER HEAD STUD BOLT(LONG) AM10x1.5x122   |
| 29-1 | SP-D450-A29-1 | TORNILLO DEL CILINDRO AM10X1.5X204  | CYLINDER HEAD STUD BOLT (LONG) AM10x1.5x204  |

FAST MOVING PARTS

RECOMMENDED PARTS

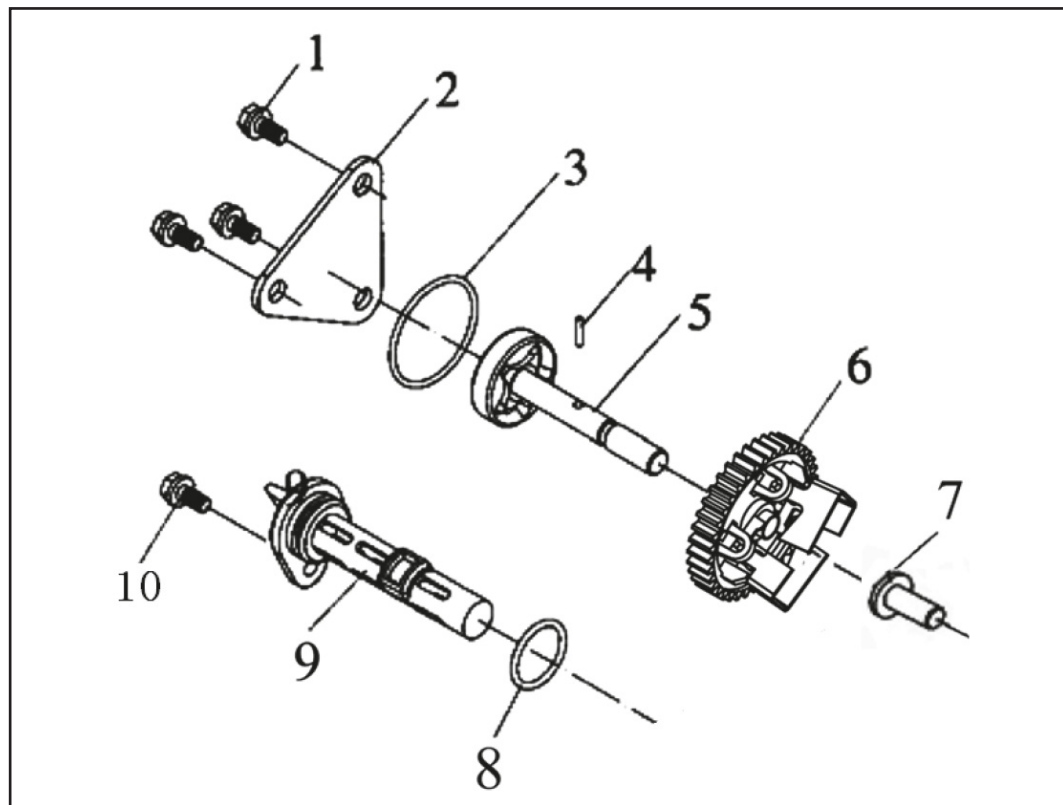


| Nº   | REF.          | DESCRIPCIÓN (ES)                         | DESCRIPTION (EN)                               |
|------|---------------|--|--|
| 29-2 | SP-D500-A29-2 | TORNILLO DEL CILINDRO AM12X1.5X121       | CYLINDER HEAD STUD BOLT (LONG)<br>AM12X1.5X121 |
| 30   | SP-D400-A30   | JUNTA CULATA GOMA RECTANGULAR<br>5.1X2.3 | RECTANGLE RING 5.1x2.3                         |
| 31   | SP-D400-A31   | JUNTA CULATA COBRE 0.1~0.5MM             | CYLINDER HEAD SHIM (0.1~0.5MM)                 |
| 31-1 | SP-D450-A31-1 | JUNTA CULATA COBRE 0.1~0.5MM             | CYLINDER HEAD SHIM (0.1~0.5MM)                 |
| 31-2 | SP-D500-A31-2 | JUNTA CULATA COBRE 0.3MM                 | CYLINDER HEAD SHIM (0.3MM)                     |
| 32   | SP-D400-A32   | ARANDELA DE LA CULATA Ø10.5              | CYLINDER HEAD NUT GASKET Ø10.5                 |
| 32-1 | SP-D500-A32-1 | ARANDELA DE LA CULATA Ø10.5              | CYLINDER HEAD NUT GASKET Ø10.5                 |
| 33   | SP-D400-A33   | TUERCA DE LA CULATA (CORTA)              | CYLINDER HEAD NUT(SHORT)                       |
| 33-1 | SP-D500-A33-1 | TUERCA DE LA CULATA (CORTA)              | CYLINDER HEAD NUT(SHORT)                       |
| 34   | SP-D400-A34   | TUERCA DE LA CULATA (LARGA)              | CYLINDER HEAD NUT(LONG)                        |
| 34-1 | SP-D500-A34-1 | TUERCA DE LA CULATA (LARGA)              | CYLINDER HEAD NUT(LONG)                        |
| 35   | SP-D400-A35   | JUNTA BLOQUE MOTOR                       | CRANKCASE COVER WASHER                         |
| 36   | SP-D400-A36   | CASQUILLO PRINCIPAL                      | MAIN BUSH                                      |
| 37   | SP-D400-A37   | RETEN FRONTAL DE ACEITE Ø35XØ50X10       | FRONT OIL SEAL Ø35xØ50x10                      |
| 38   | SP-D400-A38   | SENSOR PRESIÓN DE ACEITE                 | LOW OIL ALARM                                  |
| 38-1 | SP-D400-A38-1 | TAPÓN ROSCADO HEXAGONAL INTERNO          | HEXAGONAL INTERNAL SCREW PLUG                  |
| 39   | SP-D400-A39   | REMACHE M8X33,5                          | BOLT M8x33.5                                   |
| 40   | SP-D400-A40   | TAPA BLOQUE MOTOR                        | CRANKCASE COVER                                |
| 40-1 | SP-D400-A40-1 | TAPA BLOQUE MOTOR CON DESCOMPRESOR       | CRANKCASE COVER WITH DECOMPRESSOR              |
| 40-2 | SP-D500-A40-2 | TAPA BLOQUE MOTOR CON DESCOMPRESOR       | CRANKCASE COVER WITH DECOMPRESSOR              |
| 41   | SP-D400-A41   | REMACHE 8X8                              | PLUNGER 8x8                                    |
| 42   | SP-D400-A42   | CONDUCTO DE ACEITE                       | OIL CONDUIT                                    |
| 43   | SP-D400-A43   | PIN 8X12                                 | PIN 8x12                                       |
| 44   | SP-D400-A44   | COJINETE DE BOLAS 6207                   | BALL BEARING 6207                              |

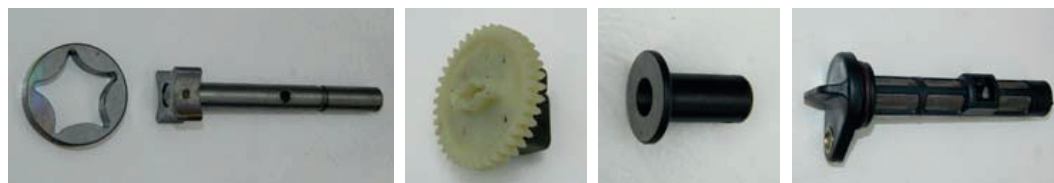


FAST MOVING PARTS

RECOMMENDED PARTS



| Nº | REF.        | DESCRIPCIÓN (ES)                       | DESCRIPTION (EN)            |
|----|-------------|--|-----------------------------|
| 1  | SP-D400-B01 | TORNILLO M6X12                         | BOLT M6×12                  |
| 2  | SP-D400-B02 | TAPA BOMBA DE ACEITE                   | LUBE OIL PUMP COVER         |
| 3  | SP-D400-B03 | JUNTA TORICA Ø34.5X1.8                 | O-RING Ø34.5×1.8            |
| 4  | SP-D400-B04 | PIN 3X16                               | PIN 3×16                    |
| 5  | SP-D400-B05 | UNIDAD DE LA BOMBA DE ACEITE DEL MOTOR | ENGINE OIL PUMP UNIT        |
| 6  | SP-D400-B06 | GOVERNADOR DE LA BOMBA DE ACEITE       | DRIVE GEAR OF LUBE OIL PUMP |
| 7  | SP-D400-B07 | TETON DE EMPUJE DEL REGULADOR          | GOVERNOR PUSH REEL          |
| 8  | SP-D400-B08 | JUNTA TORICA Ø20X2,52                  | O-RING Ø20×2.52             |
| 9  | SP-D400-B09 | CONJUNTO DEL FILTRO DE ACEITE          | LUBE OIL FILTER ASSY        |
| 10 | SP-D400-B10 | TORNILLO M6X14                         | BOLT M6×14                  |

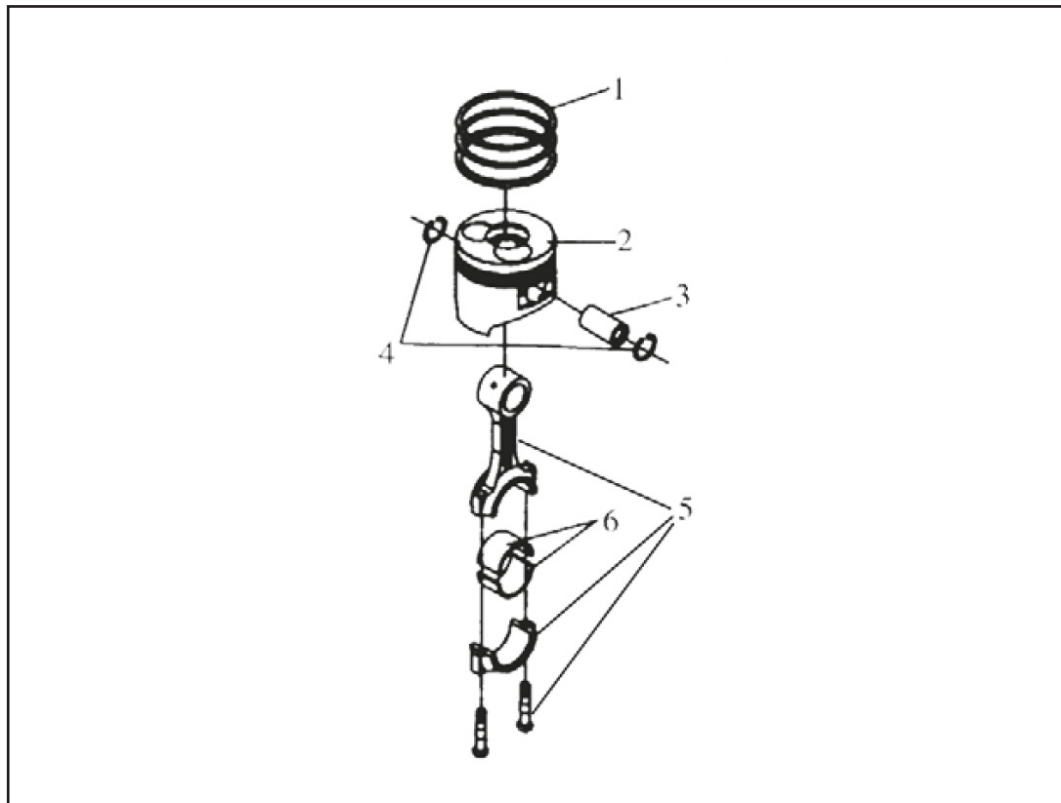


SP-D400-B05

SP-D400-B06

SP-D400-B07

SP-D400-B09



| Nº  | REF.                 | DESCRIPCIÓN (ES)          | DESCRIPTION (EN)          |
|-----|----------------------|---------------------------|---------------------------|
| 1   | SP-D400-C01          | JUEGO SEGMENTOS           | PISTON RING SET           |
| 1-1 | SP-D450-C01-1        | JUEGO SEGMENTOS           | PISTON RING SET           |
| 1-2 | SP-D500-C01-2        | JUEGO SEGMENTOS           | PISTON RING SET           |
| 2   | SP-D400-C02          | PISTON                    | PISTON                    |
| 2-1 | SP-D450-C02-1        | PISTON                    | PISTON                    |
| 2-2 | SP-D500-C02-2        | PISTON                    | PISTON                    |
| 2-3 | SP-D400-C02-NO<br>FA | PISTON NO FA              | PISTON NO FA              |
| 3   | SP-D400-C03          | BURLON DEL PISTON         | PISTON PIN                |
| 3-1 | SP-D450-C03-1        | BURLON DEL PISTON         | PISTON PIN                |
| 3-2 | SP-D500-C03-2        | BURLON DEL PISTON         | PISTON PIN                |
| 4   | SP-D400-C04          | CLIP DEL BULON DEL PISTON | PISTON PIN CLIP           |
| 5   | SP-D400-C05          | CONJUNTO BIELA            | CONNECTING ROD ASSY       |
| 5-1 | SP-D450-C05-1        | CONJUNTO BIELA            | CONNECTING ROD ASSY       |
| 5-2 | SP-D500-C05-2        | CONJUNTO BIELA            | CONNECTING ROD ASSY       |
| 6   | SP-D400-C06          | CASQUILLOS BIELA (JUEGO)  | CONNECTING ROD BUSH (SET) |
| 6-1 | SP-D500-C06-1        | CASQUILLOS BIELA (JUEGO)  | CONNECTING ROD BUSH (SET) |



SP-D450-C01-1



SP-D450-C02-1

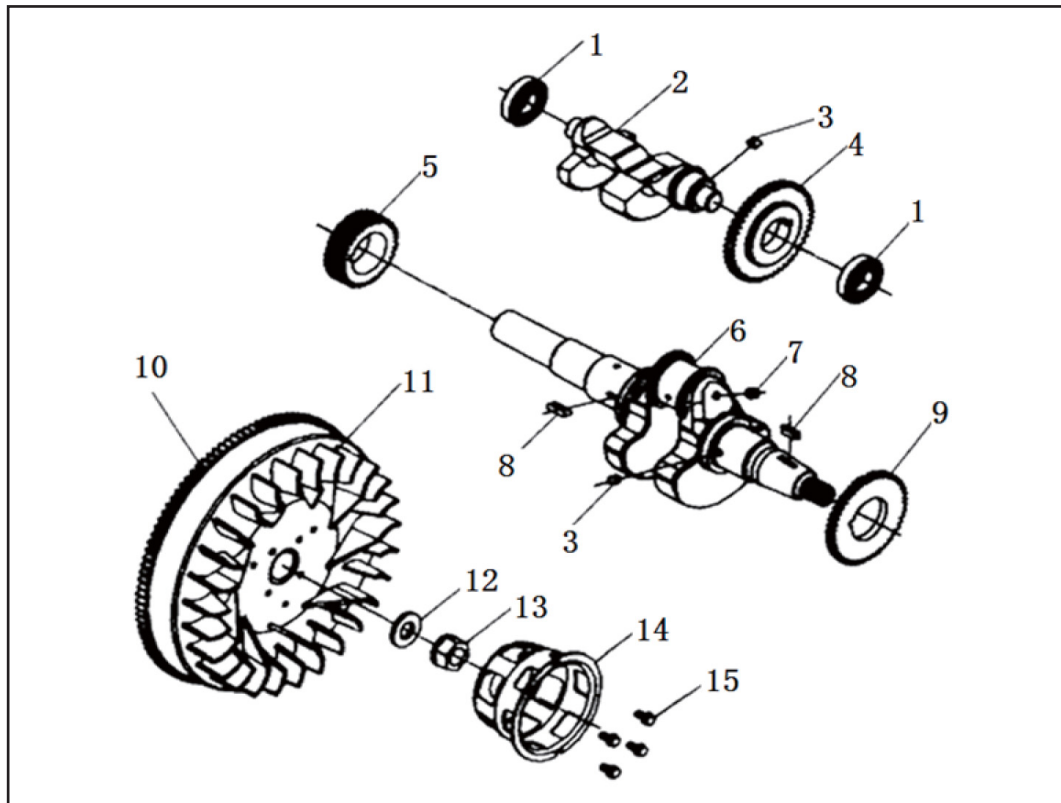


SP-D450-C03-1



SP-D450-C05-1





| Nº   | REF.          | DESCRIPCIÓN (ES)                        | DESCRIPTION (EN)             |
|------|---------------|---|------------------------------|
| 1    | SP-D400-D01   | COJINETE DE BOLAS 6203                  | BALL BEARING 6203            |
| 2    | SP-D400-D02   | EJE DE BALANCE                          | BALANCE SHAFT                |
| 3    | SP-D400-D03   | CHAVETA 5X7                             | KEY 5x7                      |
| 4    | SP-D400-D04   | PIÑÓN EJE BALANCINES                    | TIMING GEAR OF BALANCE SHAFT |
| 5    | SP-D400-D05   | PIÑÓN CIGÜEÑAL                          | CRANKSHAFT TIMING GEAR       |
| 6    | SP-D400-D06   | CIGÜEÑAL                                | CRANKSHAFT                   |
| 6-1  | SP-D450-D06-1 | CIGÜEÑAL                                | CRANKSHAFT                   |
| 6-2  | SP-D500-D06-2 | CIGÜEÑAL                                | CRANKSHAFT                   |
| 7    | SP-D400-D07   | REMACHE DE ACERO Ø6.35                  | STEEL BALL Ø6.35             |
| 8    | SP-D400-D08   | CHAVETA 5X14                            | KEY 5x14                     |
| 9    | SP-D400-D09   | PIÑÓN CIGÜEÑAL BALANCINES               | DRIVE GEAR OF BALANCE SHAFT  |
| 10   | SP-D400-D10   | CORONA DENTADA VOLANTE DE INERCIA MOTOR | FLYWHEEL RING GEAR           |
| 11   | SP-D400-D11   | VOLANTE DE INERCIA                      | FLYWHEEL                     |
| 11-1 | SP-D450-D11-1 | VOLANTE DE INERCIA                      | FLYWHEEL                     |
| 11-2 | SP-D450-D11-2 | VENTILADOR DEL VOLANTE DE INERCIA       | FLYWHEEL FAN                 |
| 11-3 | SP-D450-D11-3 | VOLANTE DE INERCIA                      | FLYWHEEL                     |
| 12   | SP-D400-D12   | ARANDELA Ø18                            | FLYWHEEL NUT WASHER Ø18      |
| 13   | SP-D400-D13   | TUERCA M18X1.5                          | FLYWHEEL NUT M18x1.5         |
| 14   | SP-D400-D14   | CAMPANA DE ARRANQUE                     | STARTING CLAW                |
| 14-1 | SP-D450-D14-1 | CAMPANA DE ARRANQUE                     | STARTING CLAW                |
| 15   | SP-D400-D15   | TORNILLO M6X12                          | FLANG BOLT M6x12             |
| 15-1 | SP-D450-D15-1 | TORNILLO M8X12                          | FLANG BOLT M8x12             |



SP-D400-D02



SP-D400-D06



SP-D400-D11



SP-D450-D11-1



SP-D450-D11-2



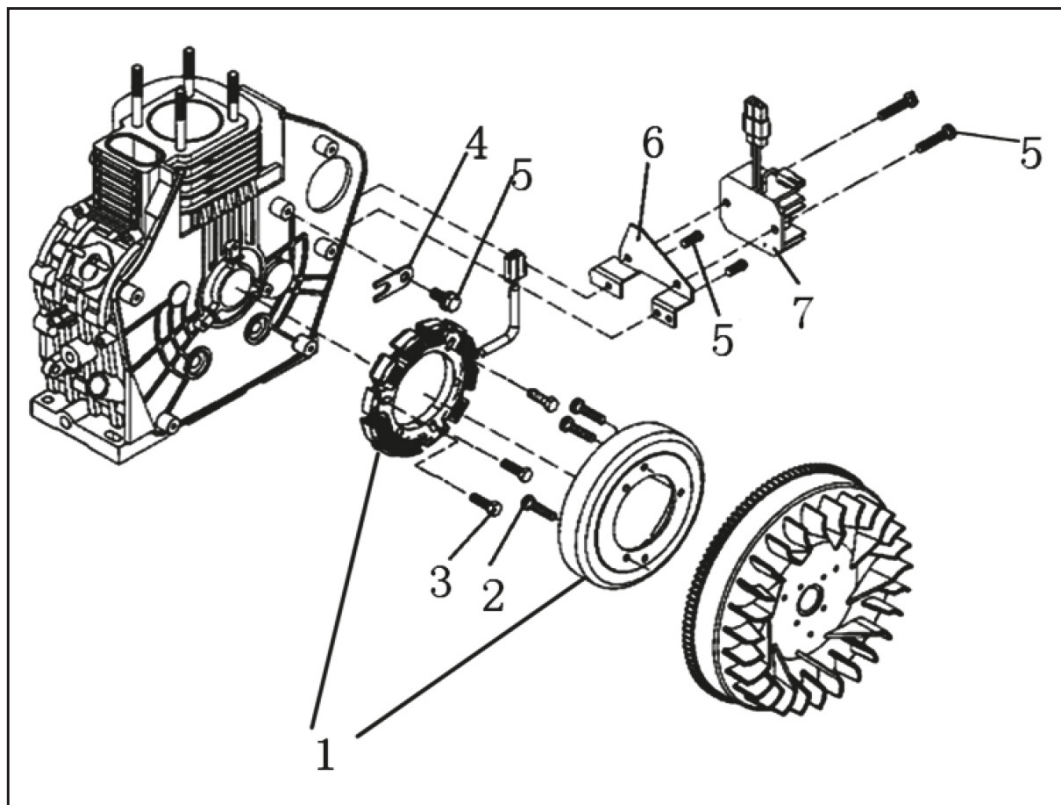
SP-D450-D14-1



SP-D450-D11-3

FAST MOVING PARTS

RECOMMENDED PARTS



| Nº | REF.        | DESCRIPCIÓN (ES)                | DESCRIPTION (EN)             |
|----|-------------|---------------------------------|------------------------------|
| 1  | SP-D400-E01 | BOBINA CARGA MOTOR              | FLYWHEEL ALTERNATOR          |
| 2  | SP-D400-E02 | TORNILLO M6X12                  | SCREW M6x12                  |
| 3  | SP-D400-E03 | TORNILLO M6X22                  | SCREW M6x22                  |
| 4  | SP-D400-E04 | PLACA FIJADOR CABLE             | RETAINER PLATE               |
| 5  | SP-D400-E05 | TORNILLO M6X12                  | SCREW M6x12                  |
| 6  | SP-D400-E06 | SOPORTE DE REGULADOR DE VOLTAJE | SUPPORT OF VOLTAGE REGULATOR |
| 7  | SP-D400-E07 | REGULADOR/RECTIFICADOR DE CARGA | VOLTAGE REGULATOR ASSY       |



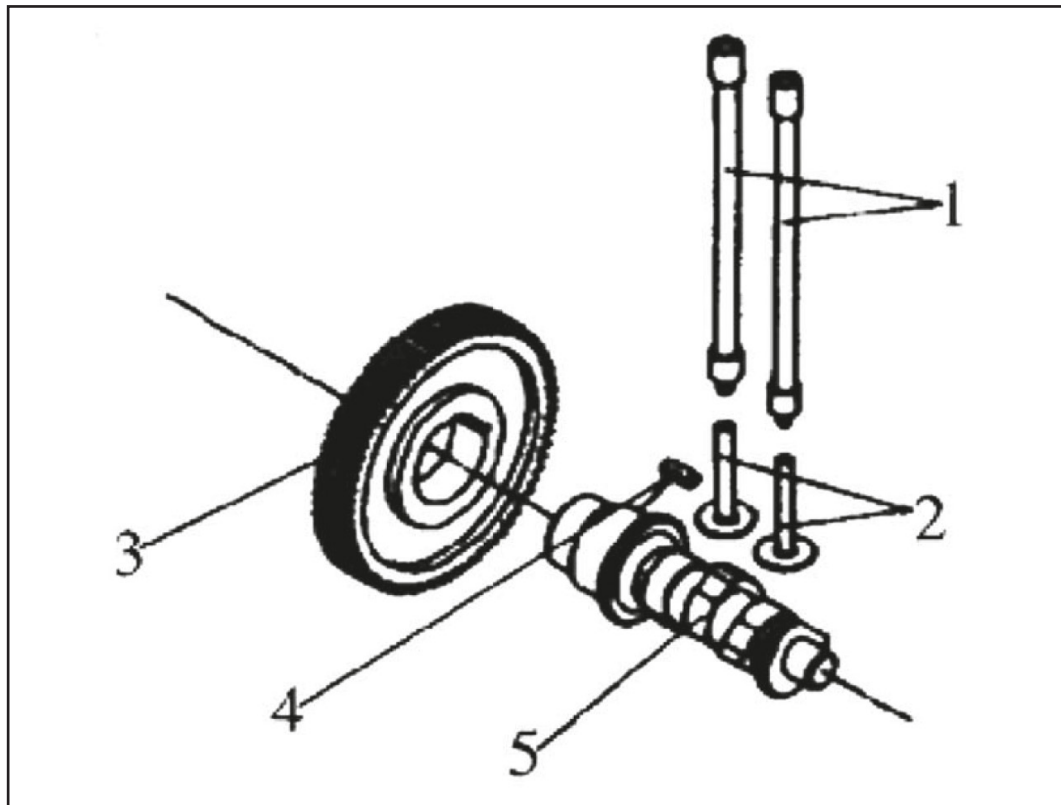
SP-D400-E01



SP-D400-E07

FAST MOVING PARTS

RECOMMENDED PARTS



| Nº  | REF.          | DESCRIPCIÓN (ES)                                    | DESCRIPTION (EN)             |
|-----|---------------|---|------------------------------|
| 1   | SP-D400-F01   | VARILLA DE EMPUJE (JUEGO) L=19,7cm                  | VALVE PUSH ROD ASSY L=19.7cm |
| 1-1 | SP-D450-F01-1 | VARILLA DE EMPUJE (JUEGO) L=22cm                    | VALVE PUSH ROD ASSY L=22cm   |
| 1-2 | SP-D500-F01-1 | VARILLA DE EMPUJE (JUEGO) L=24cm                    | VALVE PUSH ROD ASSY L=24cm   |
| 2   | SP-D400-F02   | ASIENTO EMPUJADOR (JUEGO)                           | VALVE TAPPET                 |
| 3   | SP-D400-F03   | PIÑÓN ARBOL LEVAS                                   | CAMSHAFT TIMING GEAR         |
| 4   | SP-D400-F04   | CHAVETA 5X14  | KEY 5x14                     |
| 5   | SP-D400-F05   | ARBOL DE LEVAS                                      | CAMSHAFT                     |
| 5-1 | SP-D500-F05-1 | ARBOL DE LEVAS                                      | CAMSHAFT                     |
| 5-2 | SP-D500-F05-2 | ARBOL DE LEVAS COMPLETO CON DESCOMPRESOR AUTOMATICO | CAMSHAFT                     |



SP-D400-F01

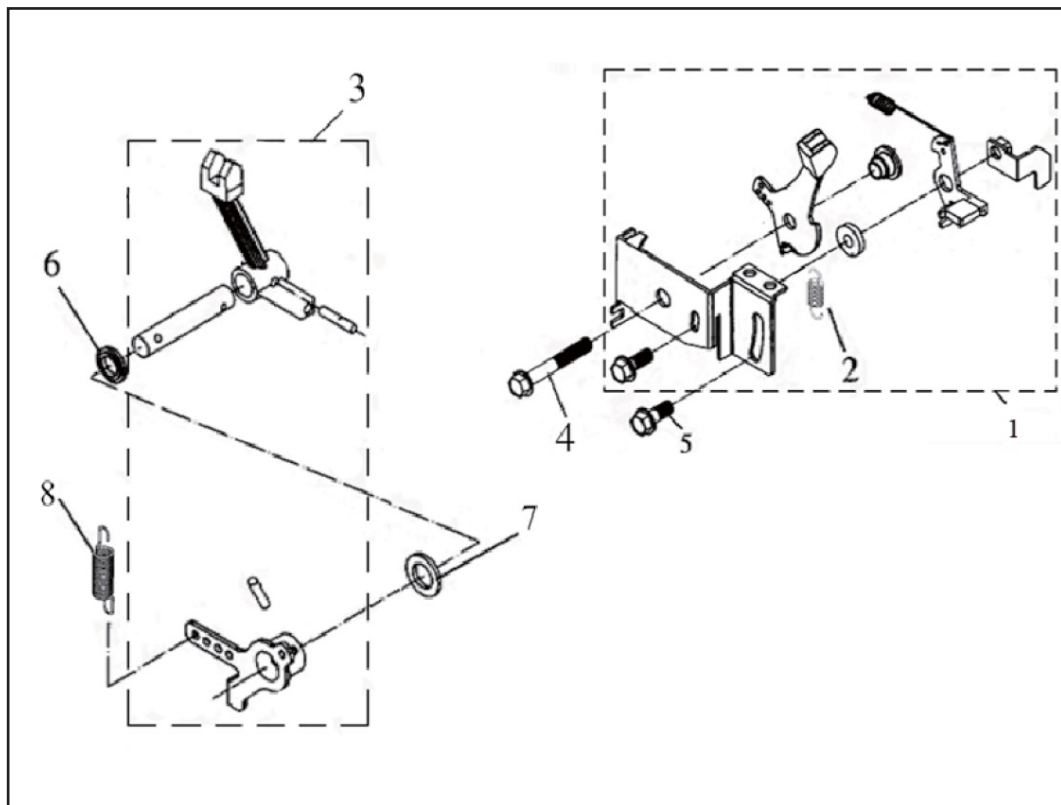


SP-D400-F02



SP-D400-F05





| Nº  | REF.          | DESCRIPCIÓN (ES)                             | DESCRIPTION (EN)               |
|-----|---------------|--|--------------------------------|
| 1   | SP-D400-G01   | CONJUNTO CONTROLADOR DE VELOCIDAD STOP-START | STOP-START SPEED GOVERNOR ASSY |
| 1-1 | SP-D400-G01-1 | CONJUNTO CONTROLADOR DE VELOCIDAD COMÚN      | COMMON SPEED GOVERNOR ASSY     |
| 2   | SP-D400-G02   | MUELLE DE RETROCESO II                       | RETRUN SPRING II               |
| 3   | SP-D400-G03   | HORQUILLA INTERIOR MOTOR GOVERNADOR          | GOVERNOR LEVEL ASSY            |
| 4   | SP-D400-G04   | TORNILLO M6X18                               | FLANGE BOLT M6x18              |
| 5   | SP-D400-G05   | TORNILLO M6X14                               | FLANGE BOLT M6x14              |
| 6   | SP-D400-G06   | RETEN 2,6*14*8                               | LEVEL SHAFT OIL SEAL           |
| 7   | SP-D400-G07   | ARANDELA                                     | LEVEL SHAFT GASKET             |
| 8   | SP-D400-G08   | MUELLE ACELERADOR                            | GOVERNOR SPRING                |
| 9   | SP-D400-G09   | MUELLE DE RETROCESO I                        | RETURN SPRING I                |
| 10  | SP-D400-G10   | MUELLE                                       | SPRING                         |



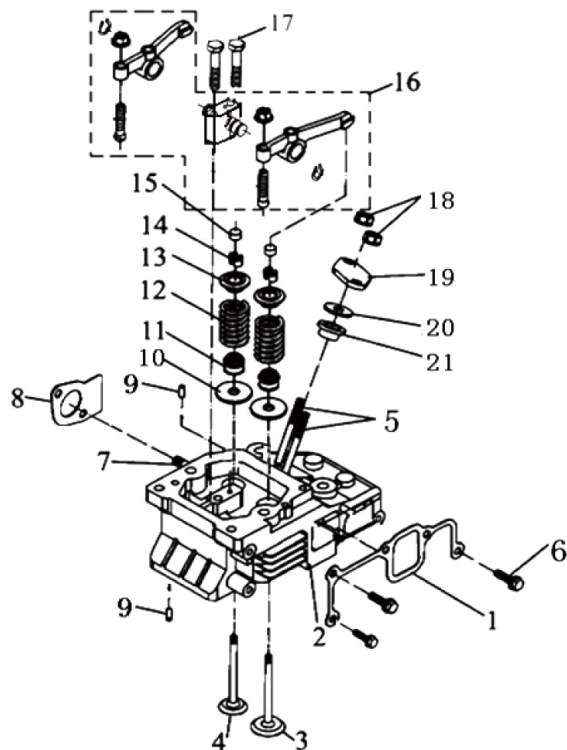
SP-D400-G01



SP-D400-G01-1



SP-D400-G03



SP-D450-H02-1

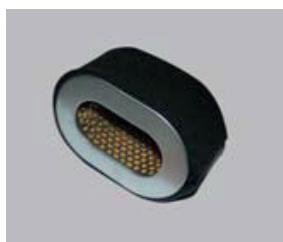
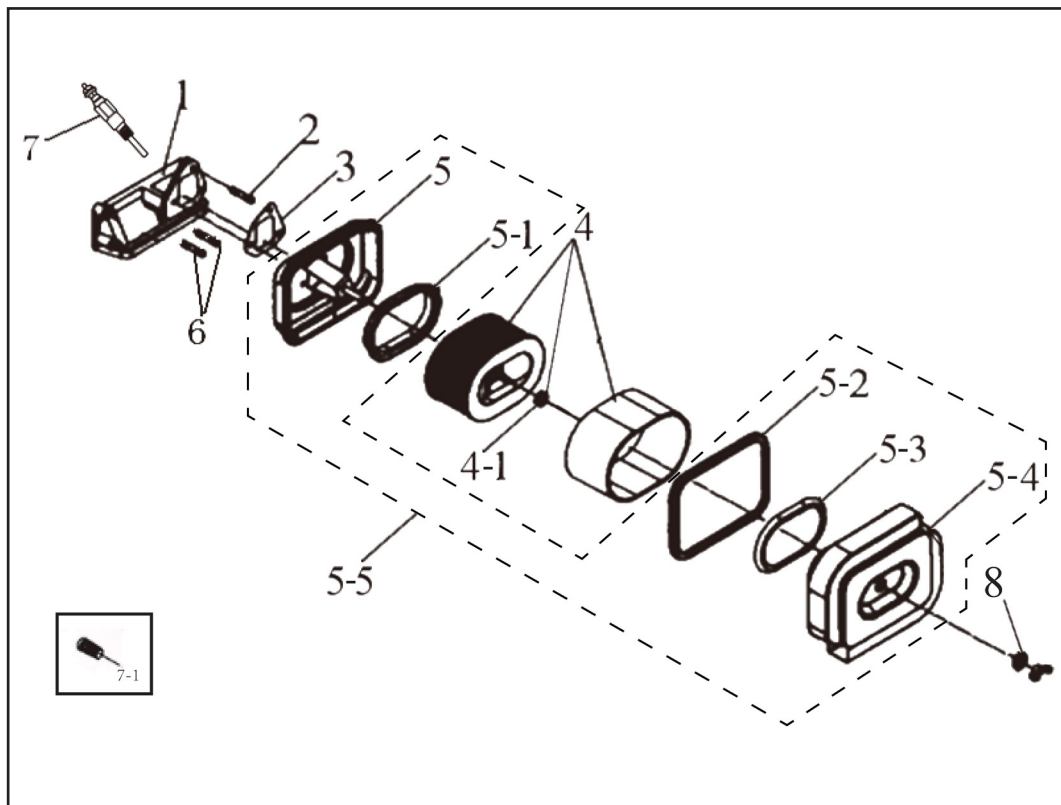


SP-D450-H04-1



SP-D450-H03-1

| Nº   | REF.          | DESCRIPCIÓN (ES)                                    | DESCRIPTION (EN)                                       |
|------|---------------|---|--|
| 1    | SP-D400-H01   | JUNTA COLECTOR ADMISION                             | INTAKE PIPE SHIM                                       |
| 1-1  | SP-D500-H01-1 | JUNTA COLECTOR ADMISION                             | INTAKE PIPE SHIM                                       |
| 2    | SP-D400-H02   | CULATA  | CYLINDER HEAD  |
| 2-1  | SP-D450-H02-1 | CULATA  | CYLINDER HEAD  |
| 2-2  | SP-D500-H02-2 | CULATA  | CYLINDER HEAD  |
| 3    | SP-D400-H03   | VALVULA ADMISION                                    | INTAKE VALVE   |
| 3-1  | SP-D450-H03-1 | VALVULA ADMISION                                    | INTAKE VALVE   |
| 3-2  | SP-D500-H03-2 | VALVULA ADMISION                                    | INTAKE VALVE   |
| 4    | SP-D400-H04   | VALVULA ESCAPE                                      | EXHAUST VALVE  |
| 4-1  | SP-D450-H04-1 | VALVULA ESCAPE                                      | EXHAUST VALVE  |
| 4-2  | SP-D500-H04-2 | VALVULA ESCAPE                                      | EXHAUST VALVE  |
| 5    | SP-D400-H05   | TORNILLO DOBLE ROSCA AM6 x 55                       | STUD AM6x55  |
| 5-1  | SP-D450-H05-1 | TORNILLO DOBLE ROSCA AM6 x 55                       | STUD AM6x55  |
| 6    | SP-D400-H06   | TORNILLO M6 x 25                                    | BOLT M6x25   |
| 7    | SP-D400-H07   | TORNILLO DOBLE ROSCA M8 x 20                        | STUD M8x20   |
| 7-1  | SP-D450-H07-1 | TORNILLO DOBLE ROSCA M10X25                         | STUD M10X25  |
| 8    | SP-D400-H08   | JUNTA ESCAPE CULATA                                 | EXHAUST PIPE WASHER                                    |
| 8-1  | SP-D500-H08-1 | JUNTA ESCAPE CULATA                                 | EXHAUST PIPE WASHER                                    |
| 9    | SP-D400-H09   | PIN 4 x 8   | PIN 4x8  |
| 10   | SP-D400-H10   | ARANDELA BASE MUELLE                                | VALVE SPRING GASKET                                    |
| 10-1 | SP-D500-H10-1 | ARANDELA BASE MUELLE                                | VALVE SPRING GASKET                                    |
| 11   | SP-D400-H11   | RETEN VÁLVULA                                       | VALVE CONDUIT OIL SEAL                                 |
| 12   | SP-D400-H12   | MUELLE VALVULA                                      | VALVE SPRING   |
| 12-1 | SP-D500-H12-1 | MUELLE VALVULA                                      | VALVE SPRING   |
| 13   | SP-D400-H13   | ASIENTO SUPERIOR MUELLE                             | VALVE SPRING SEAT                                      |
| 13-1 | SP-D500-H13-1 | ASIENTO SUPERIOR MUELLE                             | VALVE SPRING SEAT                                      |
| 14   | SP-D400-H14   | CLIP DE RETENCIÓN DE LA VÁLVULA                     | VALVE RETAINING CLIP                                   |
| 14-1 | SP-D500-H14-1 | CLIP DE RETENCIÓN DE LA VÁLVULA                     | VALVE RETAINING CLIP                                   |
| 15   | SP-D400-H15   | TOPE CABEZA DE LA VÁLVULA                           | VALVE ADJUSTING CUSHION                                |
| 15-1 | SP-D500-H15-1 | TOPE CABEZA DE LA VÁLVULA                           | VALVE ADJUSTING CUSHION                                |
| 16   | SP-D400-H16   | CONJUNTO BALANCINES                                 | ROCKER ARM ASSY  |
| 17   | SP-D400-H17   | TORNILLOS DEL CONJUNTO BALANCINES<br>M8 x 1,25 x 50 | SET BOLT OF ROCKER ARM SEAT<br>M8x1.25x50              |
| 18   | SP-D400-H18   | TUERCA M6   | FLANGE NUT M6  |
| 19   | SP-D400-H19   | PLACA FIJACIÓN INYECTOR                             | FUEL INJECTION VALVE RETAINER                          |
| 20   | SP-D400-H20   | ARANDELAS DE AJUSTE DEL INYECTOR<br>0,1~.5MM        | INJECTOR ADJUSTMENT WASHERS<br>(0.1~0.5MM AS OPTIONAL) |
| 21   | SP-D400-H21   | CASQUILLO TERMICO                                   | HEAT INSULATOR   |
| 22   | SP-D400-H22   | CULATA COMPLETA                                     | CYLINDER HEAD ASSEMBLY                                 |



SP-D400-I04

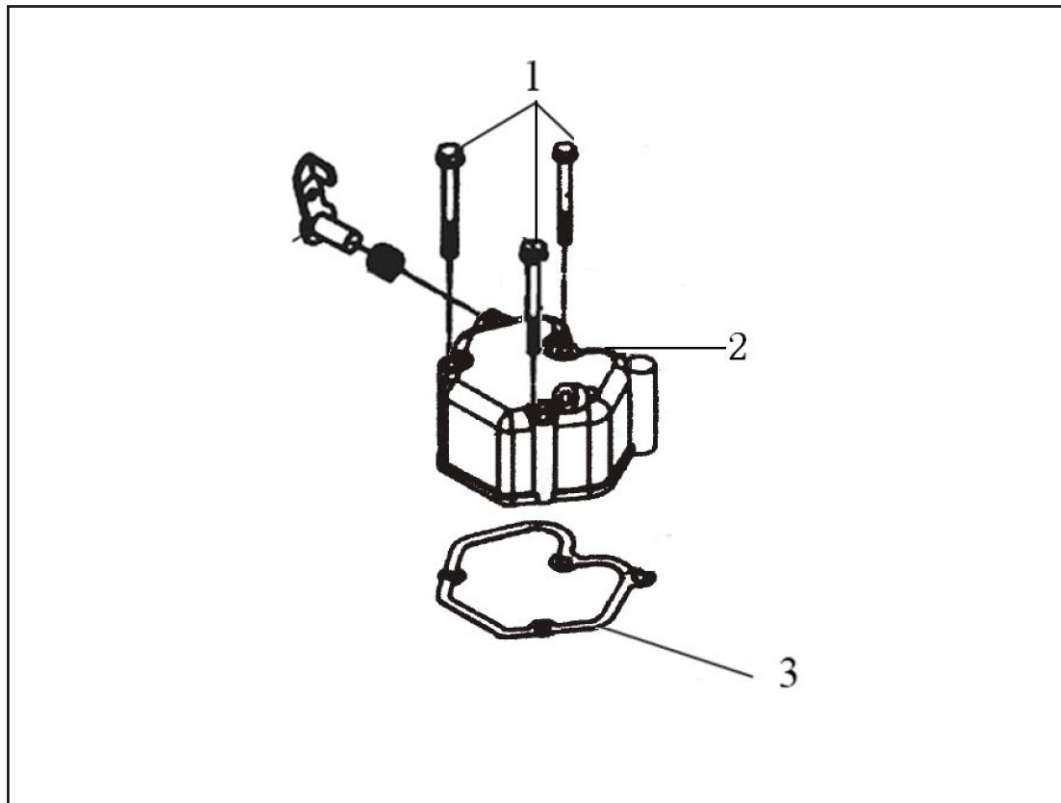


SP-D400-I07

| Nº  | REF.             | DESCRIPCIÓN (ES)                         | DESCRIPTION (EN)              |
|-----|------------------|--|-------------------------------|
| 1   | SP-D400-I01      | TOBERA ADMISION                          | INLET PIPE                    |
| 1-1 | SP-D500-I01-1    | TOBERA ADMISION                          | INLET PIPE                    |
| 2   | SP-D400-I02      | TORNILLO M6X12                           | FLANG BOLT M6X12              |
| 3   | SP-D400-I03      | JUNTA TOBERA ADMISION A FILTRO           | AIR CLEARNER GASKET           |
| 3-1 | SP-D500-I03-1    | JUNTA TOBERA ADMISION A FILTRO           | AIR CLEARNER GASKET           |
| 4   | SP-D400-I04      | FILTRO DE AIRE COMPLETO PAPEL            | AIR CLEANER ELEMENT ASSY AIR  |
| 4-1 | SP-D400-I04-1    | GOMA TORNILLO FIJACION FILTRO            | CLEANER RUBBER                |
| 4-2 | SP-D400-I04-OIL  | FILTRO DE AIRE COMPLETO BAÑADO EN ACEITE | AIR CLEANER ELEMENT ASSY OIL  |
| 5   | SP-D400-I05-LE   | TAPA TRASERA CAJA FILTRO AIRE            | AIR CLEANER FRONT COVER       |
| 5-1 | SP-D400-I05-1-LE | JUNTA GOMA CARCASA TRASERA FILTRO AIRE   | AIR CLEANER FRONT RUBBER      |
| 5-2 | SP-D400-I05-2-LE | JUNTA GOMA CIERRE CAJA FILTRO DE AIRE    | AIR CLEANER JOINT             |
| 5-3 | SP-D400-I05-3-LE | JUNTA GOMA TAPA FILTRO AIRE              | AIR CLEANER BACK RUBBER       |
| 5-4 | SP-D400-I05-4-LE | TAPA DELANTERA DEL FILTRO DE AIRE        | AIR CLEANER BACK COVER        |
| 5-5 | SP-D400-I05-5-LE | CAJA FILTRO AIRE SIN FILTRO              | AIR FILTER CASE (NO FILTER)   |
| 5   | SP-D400-I05-SE   | TAPA TRASERA CAJA FILTRO AIRE            | AIR CLEANER FRONT COVER       |
| 5-1 | SP-D400-I05-1-SE | JUNTA GOMA CARCASA TRASERA FILTRO AIRE   | AIR CLEANER FRONT RUBBER      |
| 5-2 | SP-D400-I05-2-SE | JUNTA GOMA CIERRE CAJA FILTRO DE AIRE    | AIR CLEANER JOINT             |
| 5-3 | SP-D400-I05-3-SE | JUNTA GOMA TAPA FILTRO AIRE              | AIR CLEANER BACK RUBBER       |
| 5-4 | SP-D400-I05-4-SE | TAPA DELANTERA DEL FILTRO DE AIRE        | AIR CLEANER BACK COVER        |
| 5-5 | SP-D400-I05-5-SE | CAJA FILTRO AIRE SIN FILTRO              | AIR FILTER CASE (NO FILTER)   |
| 5   | SP-D500-I05-LE   | TAPA TRASERA CAJA FILTRO AIRE            | AIR CLEANER FRONT COVER       |
| 5-1 | SP-D500-I05-1-LE | JUNTA GOMA CARCASA TRASERA FILTRO AIRE   | AIR CLEANER FRONT RUBBER      |
| 5-2 | SP-D500-I05-2-LE | JUNTA GOMA CIERRE CAJA FILTRO DE AIRE    | AIR CLEANER JOINT             |
| 5-3 | SP-D500-I05-3-LE | JUNTA GOMA TAPA FILTRO AIRE              | AIR CLEANER BACK RUBBER       |
| 5-4 | SP-D500-I05-4-LE | TAPA DELANTERA DEL FILTRO DE AIRE        | AIR CLEANER BACK COVER        |
| 5-5 | SP-D500-I05-5-LE | CAJA FILTRO AIRE SIN FILTRO              | AIR FILTER CASE (NO FILTER)   |
| 5   | SP-D500-I05-SE   | TAPA TRASERA CAJA FILTRO AIRE            | AIR CLEANER FRONT COVER       |
| 5-1 | SP-D500-I05-1-SE | JUNTA GOMA CARCASA TRASERA FILTRO AIRE   | AIR CLEANER FRONT RUBBER      |
| 5-2 | SP-D500-I05-2-SE | JUNTA GOMA CIERRE CAJA FILTRO DE AIRE    | AIR CLEANER JOINT             |
| 5-3 | SP-D500-I05-3-SE | JUNTA GOMA TAPA FILTRO AIRE              | AIR CLEANER BACK RUBBER       |
| 5-4 | SP-D500-I05-4-SE | TAPA DELANTERA DEL FILTRO DE AIRE        | AIR CLEANER BACK COVER        |
| 5-5 | SP-D500-I05-5-SE | CAJA FILTRO AIRE SIN FILTRO              | AIR FILTER CASE (NO FILTER)   |
| 6   | SP-D400-I06      | TORNILLO DOBLE M6X75                     | BOLT M6X75                    |
| 7   | SP-D400-I07      | PRE-CALENTADOR 12V                       | 12V HEATING PLUG              |
| 7-1 | SP-D400-I07-1    | TORNILLO HEXAGONAL INTERNO               | HEXAGONAL INTERNAL SCREW PLUG |
| 8   | SP-D400-I08      | TORNILLO CIERRE CARCASA                  | BACK SCREW                    |

FAST MOVING PARTS

RECOMMENDED PARTS



| Nº  | REF.          | DESCRIPCIÓN (ES)                     | DESCRIPTION (EN)                            |
|-----|---------------|--------------------------------------|---|
| 1   | SP-D400-J01   | TORNILLO M6 x 70                     | BOLT M6x70                                  |
| 2   | SP-D400-J02   | TAPA VALVULAS (MOTORES, GENERADORES) | CYLINDER HEAD COVER ASSY(ENGINE, GENERATOR) |
| 2-1 | SP-D400-J02-1 | TAPA VALVULAS (MOTO BOMBA)           | CYLINDER HEAD COVER ASSY(PUMP SET)          |
| 2-2 | SP-D500-J02-2 | TAPA VALVULAS (GENERADOR)            | CYLINDER HEAD COVER ASSY (GENERATOR SET)    |
| 3   | SP-D400-J03   | JUNTA TAPA VALVULAS                  | CYLINDER HEAD COVER GASKET                  |
| 3-1 | SP-D500-J03-1 | JUNTA TAPA VALVULAS                  | CYLINDER HEAD COVER GASKET                  |



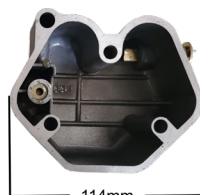
SP-D400-J02



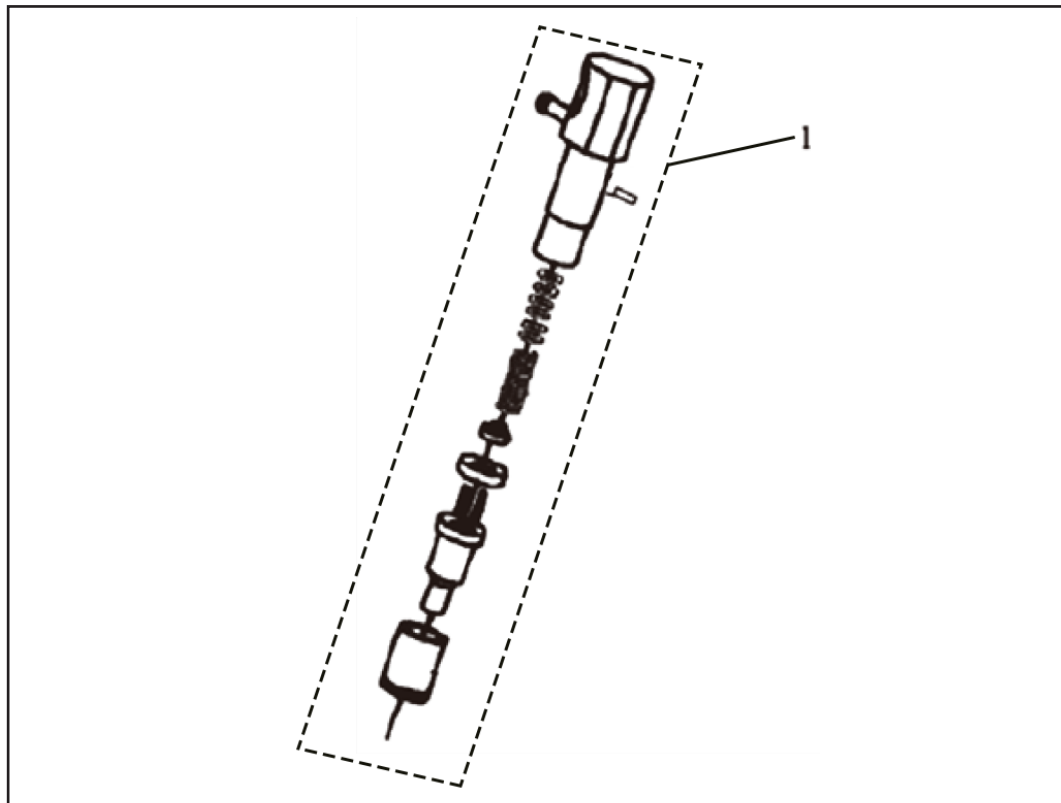
SP-D400-J02-1



SP-D400-J02



SP-D500-J02-2



| Nº  | REF.          | DESCRIPCIÓN (ES)               | DESCRIPTION (EN)    |
|-----|---------------|--------------------------------|---------------------|
| 1   | SP-D400-K01   | INYECTOR CONJUNTO              | INJECTOR ASSY       |
| 1-1 | SP-D400-K01-1 | INYECTOR CONJUNTO MODELO NO FA | INJECTOR ASSY NO FA |
| 1-2 | SP-D450-K01-1 | INYECTOR CONJUNTO              | INJECTOR ASSY       |
| 1-3 | SP-D500-K01-2 | INYECTOR CONJUNTO              | INJECTOR ASSY       |



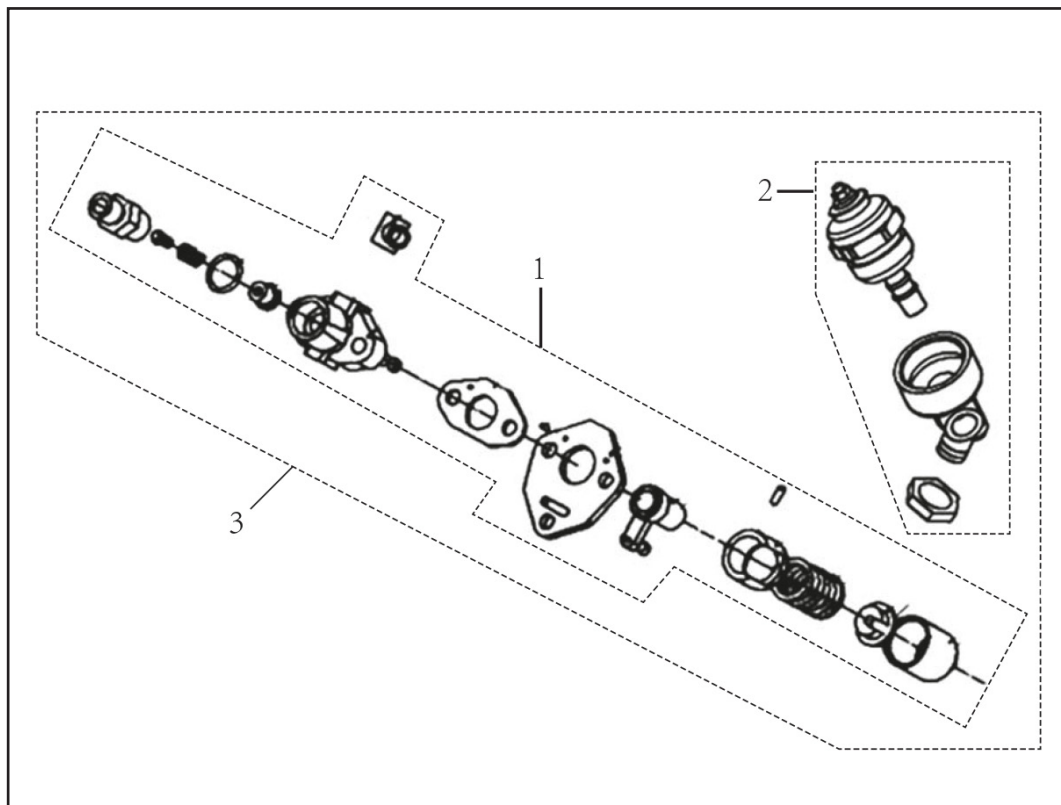
SP-D400-K01



SP-D450-K01-1

SP-D500-K01-2





| Nº  | REF.          | DESCRIPCIÓN (ES)                                      | DESCRIPTION (EN)                                    |
|-----|---------------|---|---|
| 1   | SP-D400-L01   | BOMBA INYECCION (SIN ELECTRO VALVULA) PARA MOTOBOMBAS | INJECTION PUMP ASSY                                 |
| 2   | SP-D400-L02   | VALVULA ELECTROMAGNETICA                              | ELECTROMAGNETIC VALVE                               |
| 3   | SP-D400-L03   | BOMBA INYECCION CON ELECTRO VALVULA                   | INJECTION PUMP ASSY(ELECTROMAGNETIC VALVE INCLUDED) |
| 3-1 | SP-D450-L03-1 | BOMBA INYECCION CON ELECTRO VALVULA                   | INJECTION PUMP ASSY(ELECTROMAGNETIC VALVE INCLUDED) |
| 3-2 | SP-D500-L03-2 | BOMBA INYECCION CON ELECTRO VALVULA                   | INJECTION PUMP ASSY(ELECTROMAGNETIC VALVE INCLUDED) |



SP-D400-L02



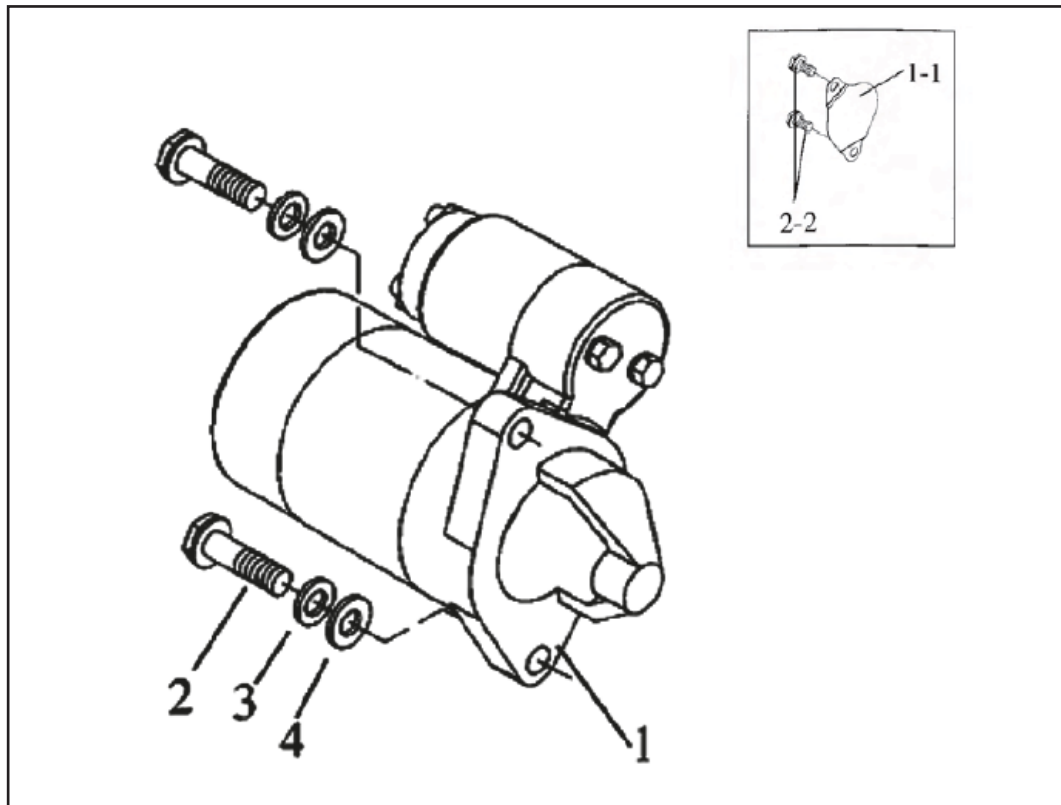
SP-D400-L03



SP-D500-L03-2

FAST MOVING PARTS

RECOMMENDED PARTS



| Nº  | REF.          | DESCRIPCIÓN (ES)               | DESCRIPTION (EN)         |
|-----|---------------|--------------------------------|--------------------------|
| 1   | SP-D400-M01   | MOTOR DE ARRANQUE D400/450/500 | STARTING MOTOR ASSY      |
| 1-1 | SP-D400-M01-1 | MOTOR DE ARRANQUE LE           | STARTING MOTOR           |
| 2   | SP-D400-M02   | TORNILLO M10×35                | BOLT M10×35              |
| 2-1 | SP-D400-M02-1 | TORNILLO M10×20                | BOLT M10×20              |
| 3   | SP-D400-M03   | JUNTA DE MUELLE Ø10            | SPRING GASKET Ø10        |
| 4   | SP-D400-M04   | ARANDELA PLANA Ø10             | FLAT WASHER Ø10          |
| 5   | SP-D400-M05   | RELE MOTOR ARRANQUE 60A        | STARTER ENGINE RELAY 60A |
| 5-1 | SP-D400-M05-1 | RELE MOTOR ARRANQUE 80A        | STARTER ENGINE RELAY 80A |
| 6   | SP-D400-M06   | PORTAFUSIBLES CONJUNTO         | FUSE HOLDER ASSY         |



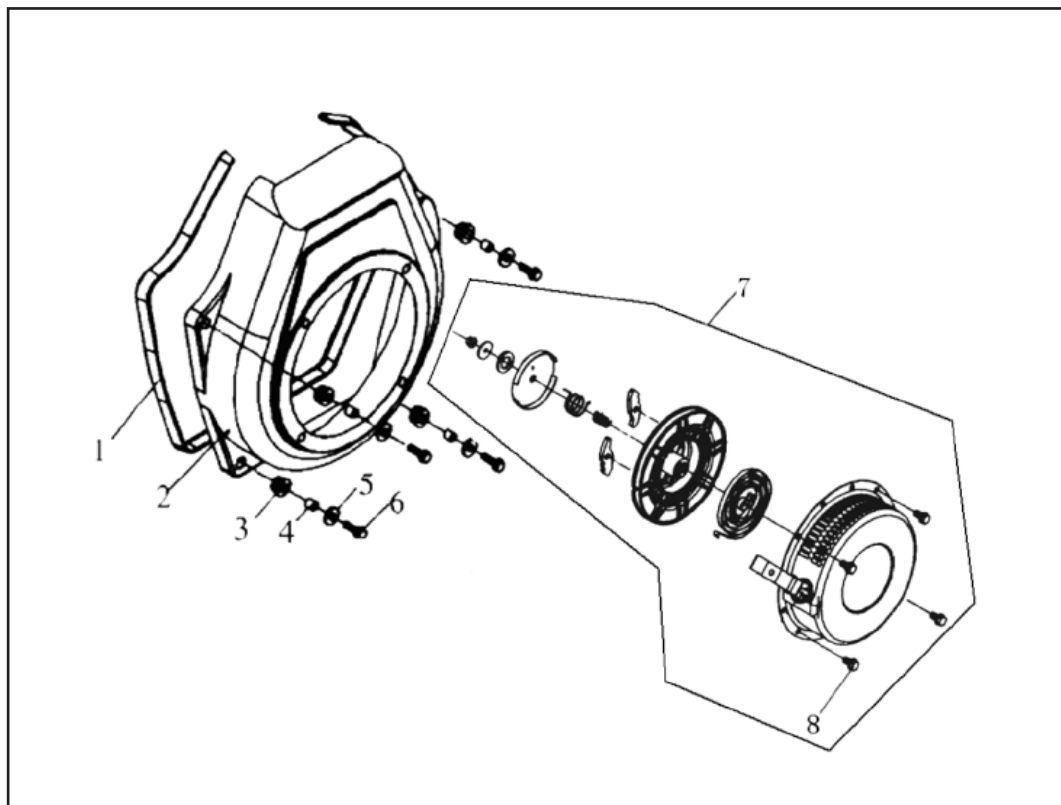
SP-D400-M01



SP-D400-M05



SP-D400-M06



| Nº  | REF.          | DESCRIPCIÓN (ES)                        | DESCRIPTION (EN)                          |
|-----|---------------|---|---|
| 1   | SP-D400-N01   | GOMA PROTECCION CARCASA                 | CUSHION                                   |
| 2   | SP-D400-N02   | CUBIERTA VOLANTE DE INERCIA (MODELO LE) | FAN COVER WELDMENT ASSY (OPEN FRAME TYPE) |
| 2-1 | SP-D400-N02-1 | CUBIERTA VOLANTE DE INERCIA (MODELO SE) | FAN COVER WELDMENT ASSY (SOUNDPROOF TYPE) |
| 2-2 | SP-D450-N02-2 | CUBIERTA VOLANTE DE INERCIA (MODELO LE) | FAN COVER WELDMENT ASSY (OPEN FRAME TYPE) |
| 2-3 | SP-D450-N02-3 | CUBIERTA VOLANTE DE INERCIA (MODELO SE) | FAN COVER WELDMENT ASSY (SOUNDPROOF TYPE) |
| 2-4 | SP-D500-N02-4 | CUBIERTA VOLANTE DE INERCIA (MODELO LE) | FAN COVER WELDMENT ASSY (OPEN FRAME TYPE) |
| 2-5 | SP-D500-N02-5 | CUBIERTA VOLANTE DE INERCIA (MODELO SE) | FAN COVER WELDMENT ASSY (SOUNDPROOF TYPE) |
| 3   | SP-D400-N03   | GOMA ANTIVIBRACION                      | CUSHION SHEATH                            |
| 4   | SP-D400-N04   | CASQUILLO                               | SHEATH                                    |
| 5   | SP-D400-N05   | ARANDELA PLANA Ø6                       | FLAT WASHER Ø6                            |
| 6   | SP-D400-N06   | TORNILLO M6 x 22                        | BOLT M6x22                                |
| 7   | SP-D400-N07   | ARRANCADOR MANUAL COMPLETO              | STARTER ASSY                              |
| 8   | SP-D400-N08   | TORNILLO M6X8                           | SCREW M6X8                                |



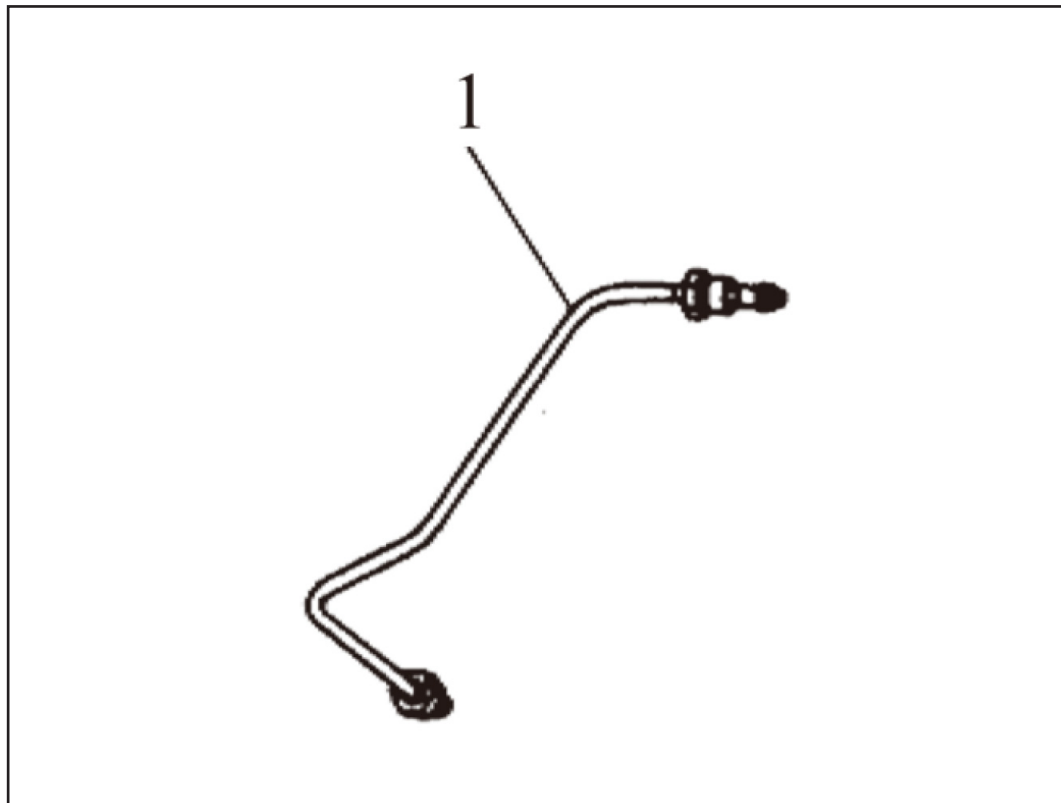
SP-D450-N02-2



SP-D450-N02-3



SP-D400-N07



| Nº  | REF.          | DESCRIPCIÓN (ES)                 | DESCRIPTION (EN)                     |
|-----|---------------|----------------------------------|--------------------------------------|
| 1   | SP-D400-001   | TUBO DE ALTA PRESION (MODELO LE) | HIGH-PRESSURE TUBE (OPEN FRAME TYPE) |
| 1-1 | SP-D400-001-1 | TUBO DE ALTA PRESION (MODELO SE) | HIGH-PRESSURE TUBE(SOUNDPROOF TYPE)  |
| 1   | SP-D450-001   | TUBO DE ALTA PRESION (MODELO LE) | HIGH-PRESSURE TUBE (OPEN FRAME TYPE) |
| 1-1 | SP-D450-001-1 | TUBO DE ALTA PRESION (MODELO SE) | HIGH-PRESSURE TUBE(SOUNDPROOF TYPE)  |



SP-D400-001



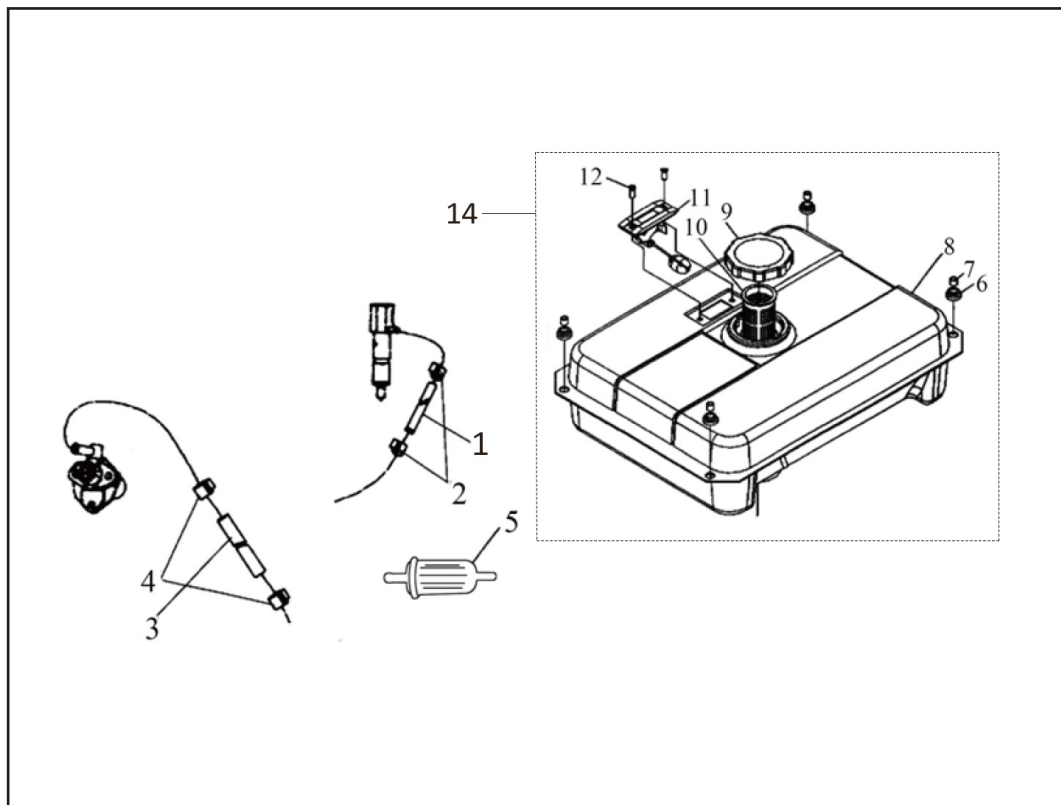
SP-D400-001-1



SP-D450-001



SP-D450-001-1



| Nº   | REF.          | DESCRIPCIÓN (ES)  | DESCRIPTION (EN)                            |
|------|---------------|---|---|
| 1    | SP-D400-R01   | TUBO DE RETORNO DE COMBUSTIBLE Ø5×9.5                     | FUEL RETURN PIPE Ø5×9.5                     |
| 2    | SP-D400-R02   | ABRAZADERA TUBO DE RETORNO DE COMBUSTIBLE Ø9              | FUEL RETURN PIPE CLIP Ø9                    |
| 3    | SP-D400-R03   | TUBO DE COMBUSTIBLE Ø7.5 × 13                             | FUEL PIPE Ø7.5×13                           |
| 4    | SP-D400-R04   | ABRAZADERA TUBO DE COMBUSTIBLE Ø11, Ø13 (OPCIONAL)        | FUEL PIPE CLIP Ø11, Ø13 AS OPTIONAL         |
| 5    | SP-D400-R05   | FILTRO DE COMBUSTIBLE EXTERNO                             | EXTERNAL FUEL FILTER                        |
| 5-1  | SP-D400-R05-1 | FILTRO COMBUSTIBLE ANTIGUO ( VASO )                       |   |
| 6    | SP-D400-R06   | GOMAS ANTIVIBRACION DEPOSITO                              | VIBRATION ISOLATION CUSHION BLOCK           |
| 7    | SP-D400-R07   | CASQUILLO   | SHEATH                                      |
| 8    | SP-D400-R08   | DEPOSITO DE COMBUSTIBLE (TIPO ABIERTO)                    | FUEL TANK (OPEN FRAME TYPE)                 |
| 8-1  | SP-D400-R08-1 | DEPOSITO DE COMBUSTIBLE (TIPO INSONORIZADO)               | FUEL TANK (SOUNDPROOF TYPE)                 |
| 8-2  | SP-D500-R08-2 | DEPOSITO DE COMBUSTIBLE (6600SE-LRS)                      | FUEL TANK (6600SE-LRS)                      |
| 9    | SP-D400-R09   | TAPON COMBUSTIBLE   | FUEL TANK CAP                               |
| 10   | SP-D400-R10   | PRE FILTRO COMBUSTIBLE                                    | FUEL FILLER SCREEN                          |
| 11   | SP-D400-R11   | INDICADOR NIVEL DE COMBUSTIBLE (TIPO ABIERTO)             | FUEL LEVEL INDICATOR ASSY (OPEN FRAME TYPE) |
| 11-1 | SP-D400-R11-1 | INDICADOR NIVEL DE COMBUSTIBLE (TIPO INSONORIZADO)        | FUEL LEVEL INDICATOR ASSY (SOUNDPROOF TYPE) |
| 12   | SP-D400-R12   | TORNILLO M5 × 8   | SCREW M5×8                                  |
| 13   | SP-D400-R13   | TAPA SUPERIOR   | UPPER COVER                                 |
| 14   | SP-D400-R14   | DEPOSITO DE COMBUSTIBLE (TIPO ABIERTO). CONJUNTO COMPLETO | FUEL TANK (OPEN FRAME TYPE) COMPLETE ASSY   |
| 15   | SP-D400-R15   | TAPA GOMA DESCOMPRESOR                                    | DECOMPRESSOR RUBBER COVER                   |



SP-D400-R05



SP-D400-R08

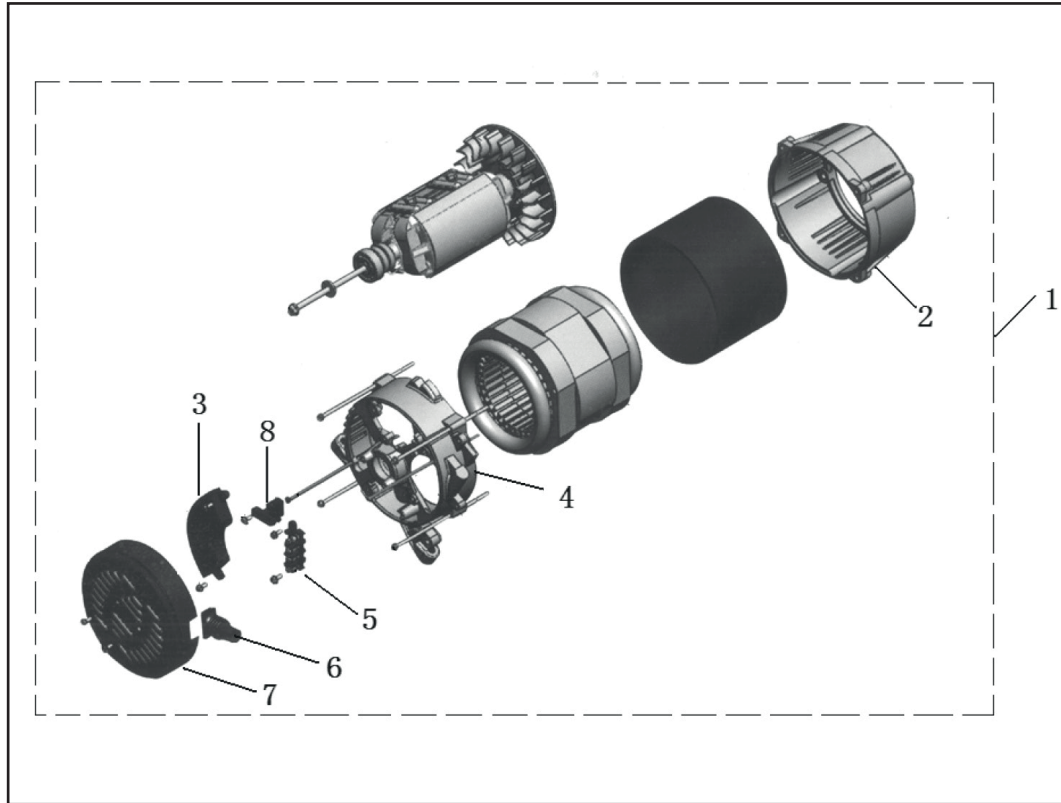


SP-D400-R08-1



SP-D400-R15





| Nº  | REF.               | DESCRIPCIÓN (ES)                                 | DESCRIPTION (EN)                              |
|-----|--------------------|--|---|
| 1   | SP-ALT-5           | ALTERNADOR 5 KW MONOFASICO                       | 5 KW MONOPHASE ALTERNATOR                     |
| 1-1 | SP-ALT-5-3         | ALTERNADOR 5 KW TRIFASICO                        | 5 KW THREE PHASE ALTERNATOR                   |
| 1-2 | SP-ALT-5-C         | ALTERNADOR 5 KW MONOFASICO CORTOS                | 5 KW SHORT MONOPHASE ALTERNATOR               |
| 1-3 | SP-ALT-5-LRS       | ALTERNADOR 5 KW MONOFASICO PARA DHY6600SE-LRS    | 5 KW MONOPHASE ALTERNATOR FOR DHY6600SE-LRS   |
| 1-4 | SP-ALT-6           | ALTERNADOR 6 KW MONOFASICO                       | 6 KW MONOPHASE ALTERNATOR                     |
| 1-5 | SP-ALT-6-3         | ALTERNADOR 6 KW TRIFASICO                        | 6 KW THREE PHASE ALTERNATOR                   |
| 1-6 | SP-ALT-6-3-230V    | ALTERNADOR 6 KW TRIFASICO A 230V                 | 6 KW 230 V THREE PHASE ALTERNATOR             |
| 2   | SP-D400-S02        | CUBIERTA DELANTERA (LE/LE-3) (TIPO ABIERTO)      | FRONT ROUND COVER (LE/LE-3) (OPEN TYPE)       |
| 2-1 | SP-D400-S02-1      | CUBIERTA DELANTERA (SE/SE-3) (TIPO INSONORIZADO) | FRONT ROUND COVER (SE/SE-3) (SOUNDPROOF TYPE) |
| 2-2 | SP-D500-S02-2      | CUBIERTA DELANTERA Ø204 ENCAJE 5MM (LE)          | FRONT COVER Ø204 LACE 5MM (LE)                |
| 2-3 | SP-D500-S02-3      | CUBIERTA DELANTERA Ø204 ENCAJE 5MM (SE)          | FRONT COVER Ø204 LACE 5MM (SE)                |
| 3   | SP-ALT-AVR-5       | AVR 5/6KW MONOFASICO                             | AVR 5/6KW MONOPHASE                           |
| 3-1 | SP-ALT-AVR-5-2C    | AVR 5/6KW TRIFASICO DE 2 CONECTORES-8 CABLES     | AVR 5/6KW THREE PHASE 2 CONNECT- 8 CABLES     |
| 3-2 | SP-ALT-AVR-5-2C-7C | AVR 5/6KW TRIFASICO DE 2 CONECTORES-7 CABLES     | AVR 5/6KW THREE PHASE 2 CONNECT- 7 CABLES     |
| 3-3 | SP-ALT-AVR-5-SE    | AVR 5/6KW MONOFASICO SILENCIOSOS                 | AVR 5/6KW MONOPHASE SOUNDPROOF                |
| 3-4 | SP-ALT-AVR-5-SE-3  | AVR 5/6KW TRIFASICO SILENCIOSOS                  | AVR 5/6KW THREE PHASE SOUNDPROOF              |
| 4   | SP-D400-S04        | TAPA TRASERA Ø190 ENCAJE 3MM                     | REAR COVER Ø190 LACE 3MM                      |
| 4-1 | SP-D400-S04-1      | TAPA TRASERA Ø190 ENCAJE 6MM                     | REAR COVER Ø190 LACE 6MM                      |
| 4-2 | SP-D500-S04-2      | TAPA TRASERA Ø204 ENCAJE 5MM                     | REAR COVER Ø204 LACE 5MM                      |
| 5   | SP-D400-S05        | PLACA TERMINAL                                   | TERMINAL PLATE                                |
| 6   | SP-D400-S06        | CUBIERTA DEL CABLE DE GOMA                       | RUBBER CABLE COVER                            |
| 7   | SP-D400-S07        | CUBIERTA TRASERA                                 | REAR END COVER                                |
| 8   | SP-ALT-ESC-5       | ESCOBILLAS                                       | BRUSH KIT                                     |



SP-D400-S02



SP-ALT-ESC-5



SP-ALT-AVR-5



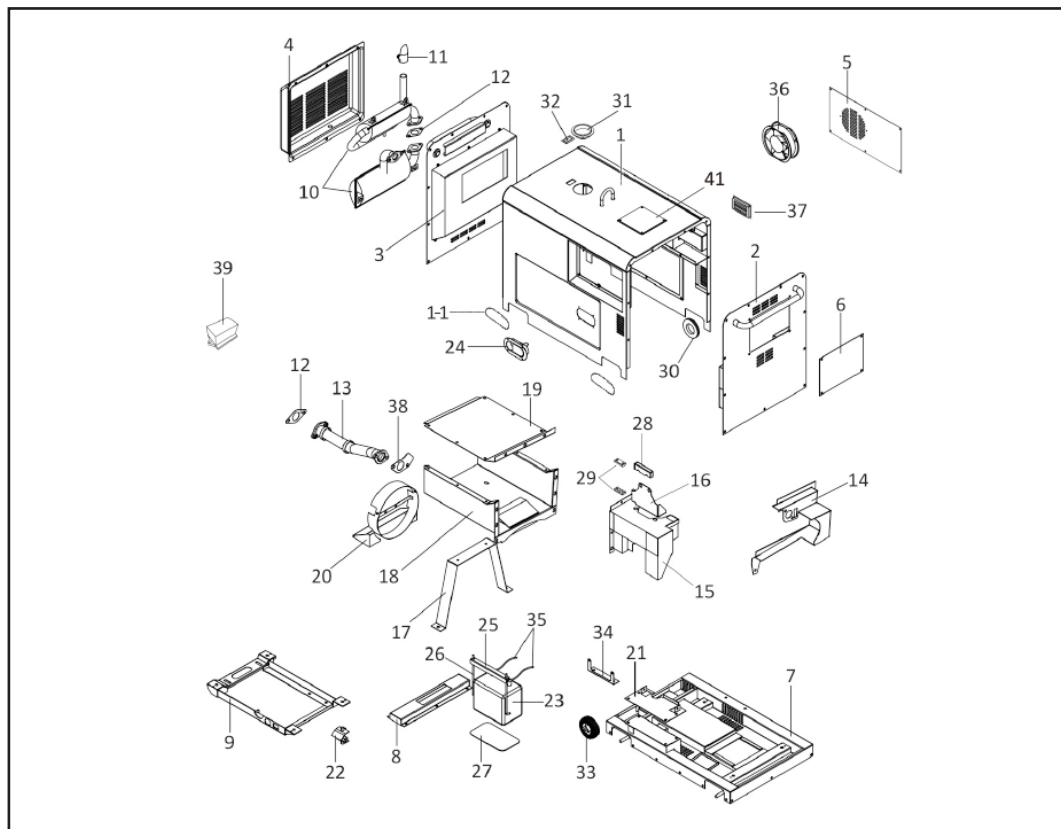
SP-ALT-AVR-5-2C



SP-D500-S04-2

FAST MOVING PARTS

RECOMMENDED PARTS



SP-D400-U01-1



SP-D400-U04



SP-D400-U04-1



SP-D400-U42



SP-D400-U33



SP-D400-U36



SP-D400-U39

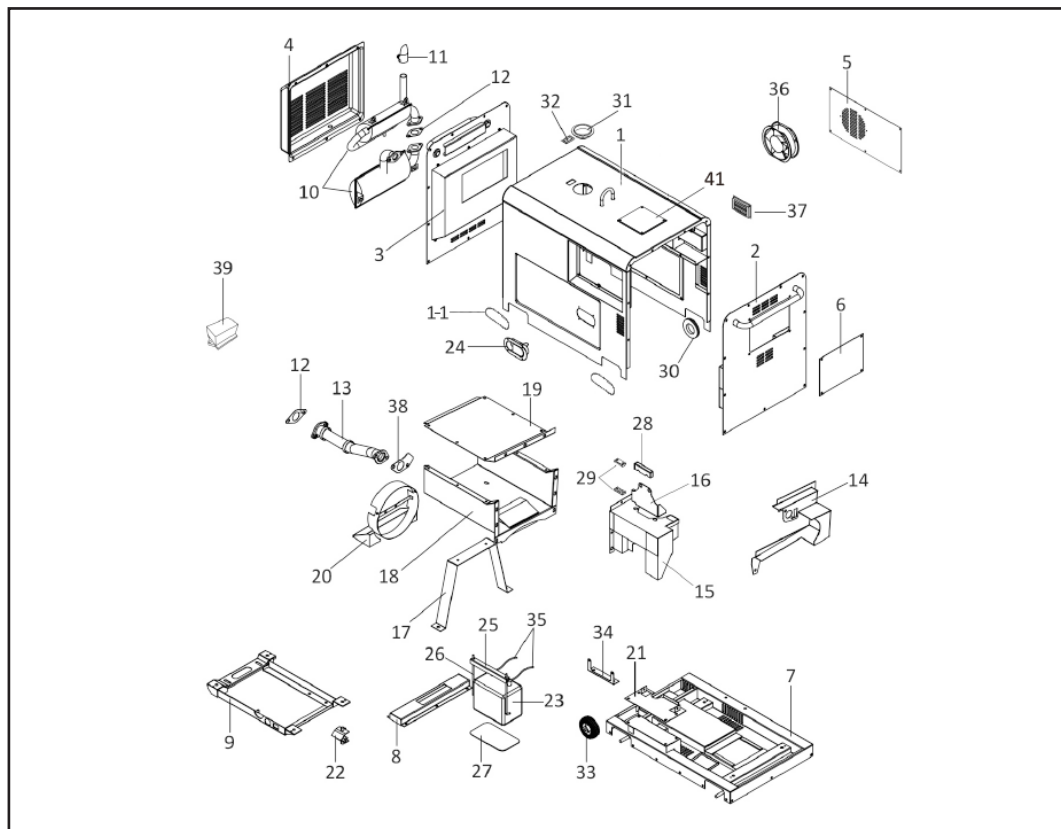


SP-D400-U40

FAST MOVING PARTS

RECOMMENDED PARTS

| Nº   | REF.          | DESCRIPCIÓN (ES)                                 | DESCRIPTION (EN)                      |
|------|---------------|--|---------------------------------------|
| 1    | SP-D400-U01   | CARCASA CARROCERIA SE                            | CANOPY UPPER COVER                    |
| 1-1  | SP-D400-U01-1 | TAPA PROTECTOR RUEDAS                            | WHEEL COVER                           |
| 2    | SP-D400-U02   | TAPA DERECHA                                     | RIGHT COVER                           |
| 3    | SP-D400-U03   | TAPA IZQUIERDA                                   | LEFT COVER                            |
| 4    | SP-D400-U04   | TAPA SILENCIADOR ESCAPE SE                       | MUFFLER COVER                         |
| 4-1  | SP-D400-U04-1 | TAPA SILENCIADOR ESCAPE SE                       | MUFFLER COVER                         |
| 5    | SP-D400-U05   | TAPA LATERAL DE ACCESO                           | REAL DOOR                             |
| 5-1  | SP-D450-U05-1 | TAPA LATERAL DE ACCESO CON REJILLA PARA VENTILAR | REAL DOOR (WITH FAN HOLE)             |
| 6    | SP-D400-U06   | TAPA ACCESO FILTRO AIRE                          | AIR FILTER DOOR                       |
| 7    | SP-D400-U07   | BASE CARROCERIA SE                               | BASE CHASSIS                          |
| 8    | SP-D400-U08   | SOPORTE PARTE TRASERA ALTERNADOR                 | BASE CHASSIS REAL COVER               |
| 9    | SP-D400-U09   | BASE SOPORTE MOTOR                               | ENGINE SUPPORT                        |
| 10   | SP-D400-U10   | SILENCIADOR ESCAPE COMPLETO SE Ø38               | MUFFLER ASSY                          |
| 10-1 | SP-D500-U10-1 | SILENCIADOR ESCAPE COMPLETO SE Ø35               | MUFFLER ASSY                          |
| 11   | SP-D400-U11   | SALIDA ESCAPE DIRECCIONAL                        | MUFFLER END PIPE                      |
| 12   | SP-D400-U12   | JUNTA SILENCIADORES ESCAPE                       | MUFFLER GASKET                        |
| 12-1 | SP-D500-U12-1 | JUNTA SILENCIADORES ESCAPE                       | MUFFLER GASKET                        |
| 13   | SP-D400-U13   | TOBERA FLEXIBLE ESCAPE                           | BELLOWS                               |
| 13-1 | SP-D500-U13-1 | TOBERA FLEXIBLE ESCAPE                           | BELLOWS                               |
| 14   | SP-D400-U14   | PLANCHAS INTERNAS 1                              | INSIDE PART 1                         |
| 14-1 | SP-D500-U14-1 | PLANCHAS INTERNAS 1-1                            | INSIDE PART 1-1                       |
| 15   | SP-D400-U15   | PLANCHAS INTERNAS 2                              | INSIDE PART 2                         |
| 15-1 | SP-D500-U15-1 | PLANCHAS INTERNAS 2-1                            | INSIDE PART 2-1                       |
| 16   | SP-D400-U16   | SOPORTE MOTOR                                    | INSIDE PART 3                         |
| 17   | SP-D400-U17   | PLANCHAS INTERNAS 4                              | INSIDE PART 4                         |
| 18   | SP-D400-U18   | PLANCHAS INTERNAS 5                              | INSIDE PART 5                         |
| 19   | SP-D400-U19   | PLANCHAS INTERNAS 6                              | INSIDE PART 6                         |
| 20   | SP-D400-U20   | PLANCHAS INTERNAS 7                              | INSIDE PART 7                         |
| 20-1 | SP-D400-U20-1 | PLANCHAS INTERNAS 7-1                            | INSIDE PART 7-1                       |
| 20-2 | SP-D400-U20-2 | PLANCHAS INTERNAS 7-2                            | INSIDE PART 7-2                       |
| 20-3 | SP-D400-U20-3 | PLANCHAS INTERNAS 7-3                            | INSIDE PART 7-3                       |
| 21   | SP-D400-U21   | BASE METALICA BATERIA                            | INSIDE PART 8                         |
| 22   | SP-D400-U22   | SILENT BLOCKS                                    | RUBBER ABSORBER                       |
| 24   | SP-D400-U24   | MANETA PUERTA ACCESO                             | FRONT DOOR HANDLE                     |
| 25   | SP-D400-U25   | FIJACION BATERIA                                 | BATTERY FASTENING PLATE               |
| 26   | SP-D400-U26   | JUEGO VARILLAS FIJACION BATERIA                  | BATTERY FASTENING ROD                 |
| 27   | SP-D400-U27   | CAUCHO BASE BATERIA                              | BATTERY RUBBER BASE PLATER            |
| 28   | SP-D400-U28   | JUNTA SILENCIADORES ESCAPE                       | MUFFLER GASKET 1                      |
| 29   | SP-D400-U29   | FIJADOR TUBO PRESION                             | HIGH PRESSURE PIPE CLIP               |
| 30   | SP-D400-U30   | GOMA CAJA FILTRO AIRE                            | RUBBER ROUND COVER FOR AIR INLET PIPE |
| 31   | SP-D400-U31   | GOMA BOCA DEPOSITO                               | RUBBER ROUND COVER FOR FUEL TANK      |



| Nº   | REF.          | DESCRIPCIÓN (ES)                | DESCRIPTION (EN)                      |
|------|---------------|---------------------------------|---------------------------------------|
| 32   | SP-D400-U32   | VISOR EXTERNO NIVEL COMBUSTIBLE | FUEL TANK INDICATOR DOOR              |
| 33   | SP-D400-U33   | RUEDAS MODELO SE                | 4 INCH WHEEL                          |
| 34   | SP-D400-U34   | SOPORTE AVR                     | AVR SUPPORT                           |
| 35   | SP-D400-U35   | JUEGO CABLES BATERIA            | BATTERY CABLE (BOTH OF RED AND BLACK) |
| 36   | SP-D400-U36   | VENTILADOR 35W 220V             | 35W ELECTRIC FAN                      |
| 37   | SP-D400-U37   | REJILLA ADMISION AIRE           | BLIND                                 |
| 38   | SP-D400-U38   | JUNTA SILENCIADORES ESCAPE      | MUFFLER GASKET 2                      |
| 38-1 | SP-D500-U38-1 | JUNTA SILENCIADORES ESCAPE      | MUFFLER GASKET 2                      |
| 39   | SP-D400-U39   | CAJA PORTA FUSIBLES             | FUSE HOLDER BOX                       |
| 40   | SP-D400-U40   | PLACA ACCESO DEPOSITO           | TANK ACCESS PLATE                     |
| 41   | SP-D400-U41   | TAPA ACCESO DESCOMPRESOR        | DECOMPRESSOR ACCESS COVER             |
| 42   | SP-D400-U42   | SILENCIADOR ESCPAE COMPLETO     | MUFFLER ASSY                          |
| 42-1 | SP-D500-U42-1 | SILENCIADOR ESCAPE COMPLETO     | MUFFLER ASSY                          |
| 43   | SP-D400-U43   | CATALIZADOR                     | CATALYST                              |



SP-D400-U01-1



SP-D400-U04



SP-D400-U04-1



SP-D400-U42



SP-D400-U33



SP-D400-U36



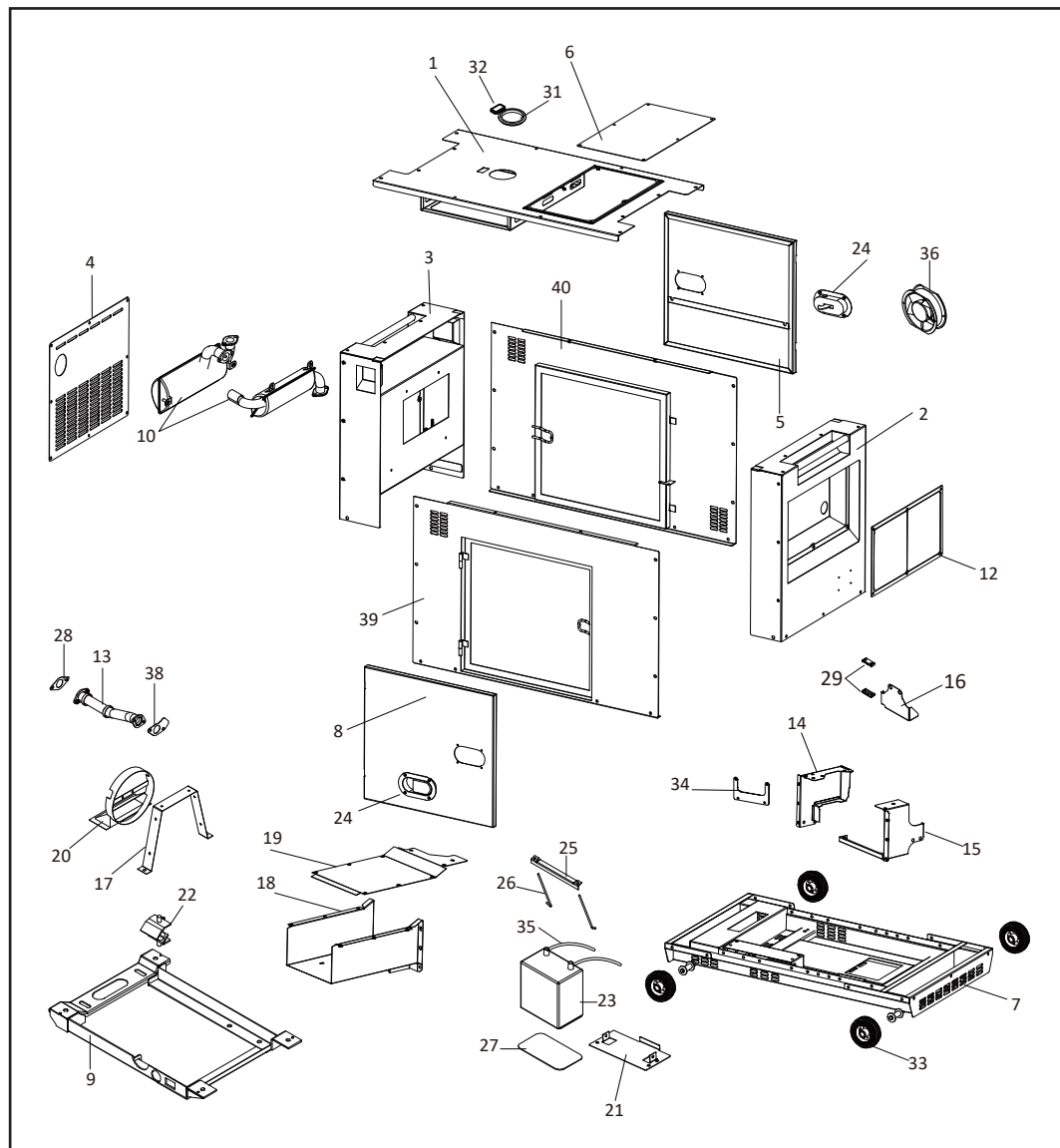
SP-D400-U39



SP-D400-U40

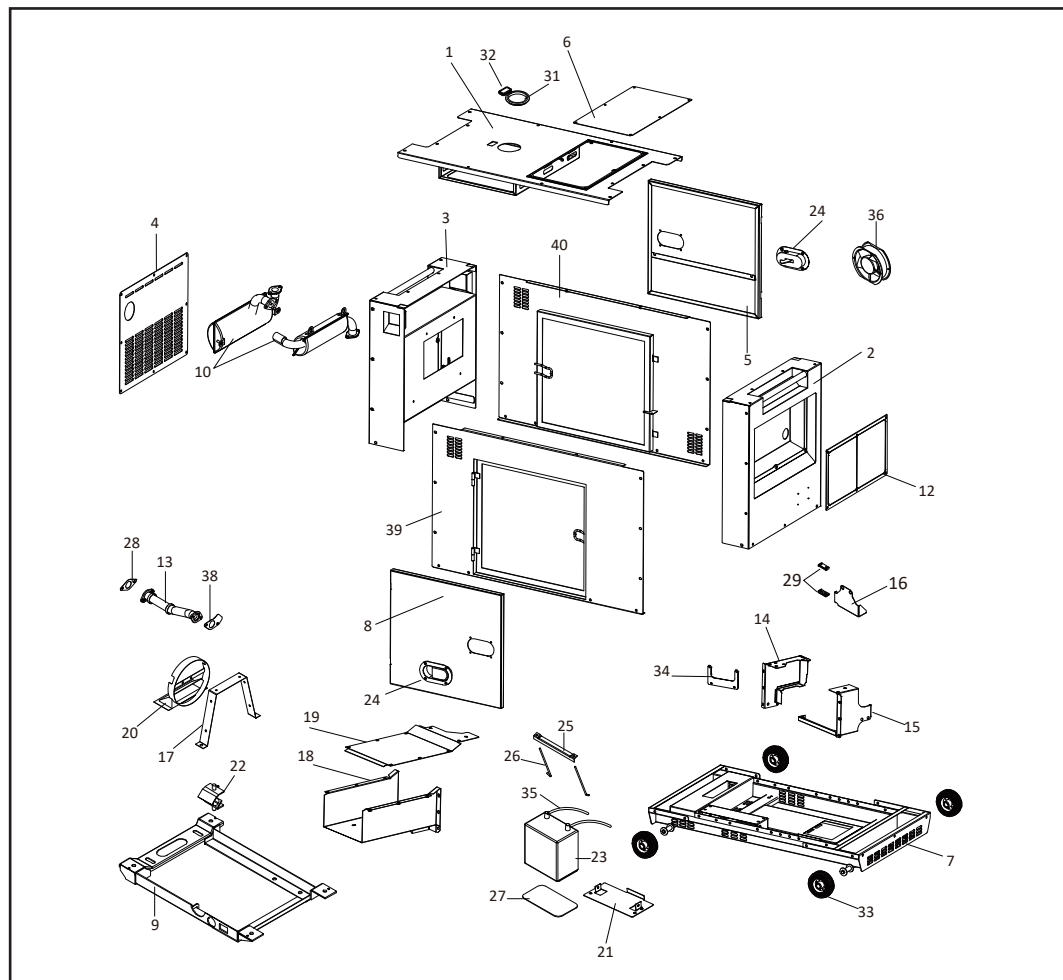
FAST MOVING PARTS

RECOMMENDED PARTS



| Nº   | REF.             | DESCRIPCIÓN (ES)                              | DESCRIPTION (EN)                      |
|------|------------------|---|---------------------------------------|
| 1    | SP-D400-W01-BD   | TECHO CARROCERIA B+D                          | ROOF B+D                              |
| 2    | SP-D400-W02-BD   | TAPA DERECHA B+D                              | RIGHT COVER B+D                       |
| 3    | SP-D400-W03-BD   | TAPA IZQUIERDA B+D                            | LEFT COVER B+D                        |
| 4    | SP-D400-W04-BD   | TAPA SILENCIADOR ESCAPE B+D                   | MUFFLER COVER B+D                     |
| 5    | SP-D400-W05-BD   | TAPA LATERAL DE ACCESO B+D                    | REAL DOOR B+D                         |
| 5-1  | SP-D450-W05-1-BD | TAPA LATERAL DE ACCESO REJILLA VENTILADOR B+D | REAL DOOR (WITH FAN HOLE) B+D         |
| 6    | SP-D400-W06-BD   | TAPA ACCESO FILTRO AIRE B+D                   | AIR FILTER DOOR B+D                   |
| 7    | SP-D400-W07      | BASE CARROCERIA SE                            | BASE CHASSIS                          |
| 8    | SP-D400-W08-BD   | PUERTA MANTENIMIENTO 8600 B+D                 | MAINTENANCE DOOR 8600 B+D             |
| 9    | SP-D400-W09      | BASE SOPORTE MOTOR                            | ENGINE SUPPORT                        |
| 10   | SP-D400-W10      | SILENCIADOR ESCAPE COMPLETO SE                | MUFFLER ASSY                          |
| 10-1 | SP-D500-W10-1    | SILENCIADOR ESCAPE COMPLETO SE                | MUFFLER ASSY                          |
| 11   | SP-D400-W11      | BISAGRA                                       | HINGE                                 |
| 12   | SP-D400-W12-BD   | PANEL DE CONTROL (MONOFASICO) B+D             | CONTROL PANEL (SINGLE PHASE) B+D      |
| 12-1 | SP-D500-W12-1-BD | PANEL DE CONTROL (TRIFASICO) B+D              | CONTROL PANEL (THREE PHASE) B+D       |
| 12-2 | SP-D500-W12-2-BD | PANEL DE CONTROL (FULL POWER) B+D             | CONTROL PANEL (FULL POWER) B+D        |
| 13   | SP-D400-U13      | TOBERA FLEXIBLE ESCAPE                        | BELLOWS                               |
| 13-1 | SP-D500-U13-1    | TOBERA FLEXIBLE ESCAPE                        | BELLOWS                               |
| 14   | SP-D400-U14      | PLANCHAS INTERNAS 1                           | INSIDE PART 1                         |
| 14-1 | SP-D500-U14-1    | PLANCHAS INTERNAS 1-1                         | INSIDE PART 1                         |
| 15   | SP-D400-U15      | PLANCHAS INTERNAS 2                           | INSIDE PART 2                         |
| 15-1 | SP-D500-U15-1    | PLANCHAS INTERNAS 2-1                         | INSIDE PART 2                         |
| 16   | SP-D400-U16      | SOPORTE MOTOR                                 | INSIDE PART 3                         |
| 17   | SP-D400-U17      | PLANCHAS INTERNAS 4                           | INSIDE PART 4                         |
| 18   | SP-D400-U18      | PLANCHAS INTERNAS 5                           | INSIDE PART 5                         |
| 19   | SP-D400-U19      | PLANCHAS INTERNAS 6                           | INSIDE PART 6                         |
| 20   | SP-D400-U20      | PLANCHAS INTERNAS 7                           | INSIDE PART 7                         |
| 20-1 | SP-D400-U20-1    | PLANCHAS INTERNAS 7-1                         | INSIDE PART 7-1                       |
| 20-2 | SP-D400-U20-2    | PLANCHAS INTERNAS 7-2                         | INSIDE PART 7-2                       |
| 20-3 | SP-D400-U20-3    | PLANCHAS INTERNAS 7-3                         | INSIDE PART 7-3                       |
| 21   | SP-D400-U21      | BASE METALICA BATERIA                         | INSIDE PART 8                         |
| 22   | SP-D400-U22      | SILENT BLOCKS                                 | RUBBER ABSORBER                       |
| 23   | SP-BAT-36        | BATERIA                                       | BATTERY                               |
| 24   | SP-D400-U24      | MANETA PUERTA ACCESO                          | FRONT DOOR HANDLE                     |
| 25   | SP-D400-U25      | FIJACION BATERIA                              | BATTERY FASTENING PLATE               |
| 26   | SP-D400-U26      | JUEGO VARILLAS FIJACION BATERIA               | BATTERY FASTENING ROD                 |
| 27   | SP-D400-U27      | CAUCHO BASE BATERIA                           | BATTERY RUBBER BASE PLATER            |
| 28   | SP-D400-U28      | JUNTA SILENCIADORES ESCAPE                    | MUFFLER GASKET 1                      |
| 29   | SP-D400-U29      | FIJADOR TUBO PRESION                          | HIGH PRESSURE PIPE CLIP               |
| 30   | SP-D400-U30      | GOMA CAJA FILTRO AIRE                         | RUBBER ROUND COVER FOR AIR INLET PIPE |





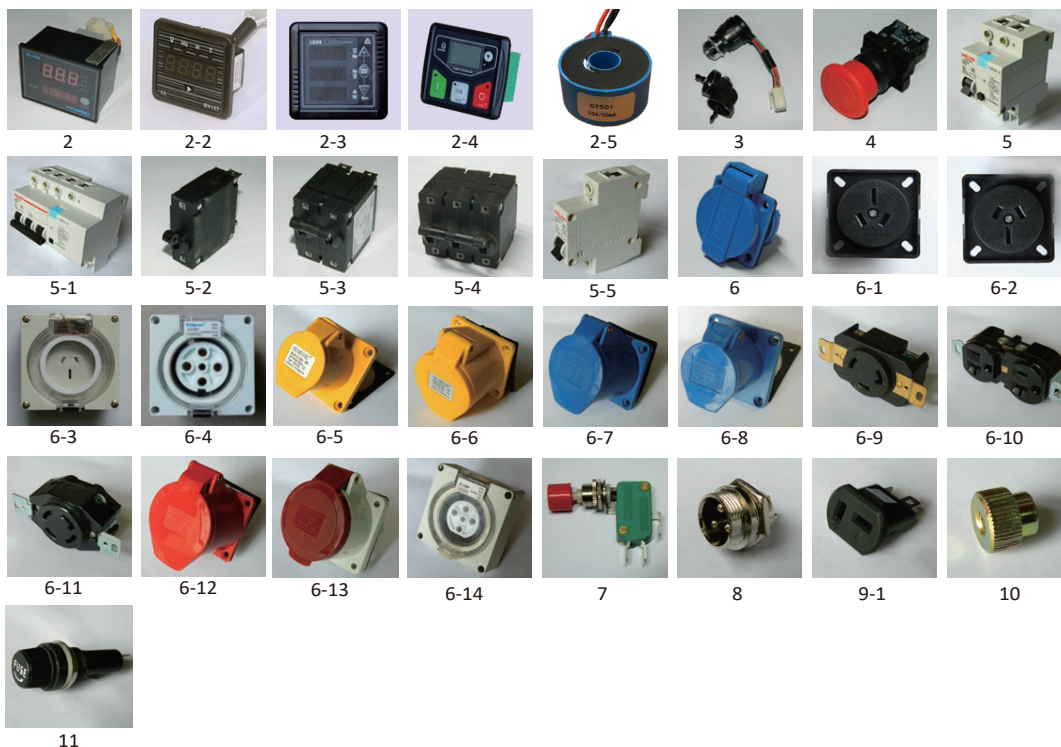
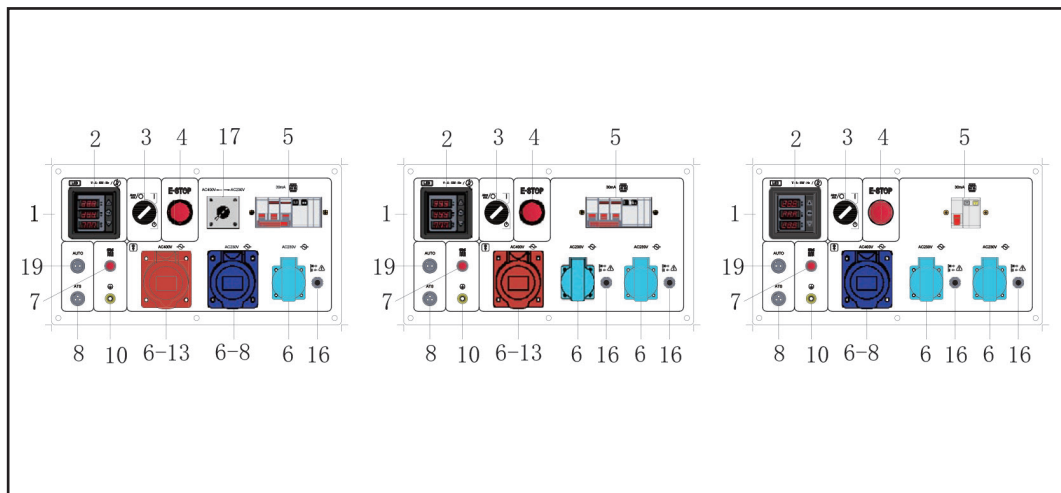
SP-D400-U42

| Nº   | REF.           | DESCRIPCIÓN (ES)                | DESCRIPTION (EN)                      |
|------|----------------|---------------------------------|---------------------------------------|
| 31   | SP-D400-U31    | GOMA BOCA DEPOSITO              | RUBBER ROUND COVER FOR FUEL TANK      |
| 32   | SP-D400-U32    | VISOR EXTERNO NIVEL COMBUSTIBLE | FUEL TANK INDICATOR DOOR              |
| 33   | SP-D400-U33    | RUEDAS MODELO SE                | 4 INCH WHEEL                          |
| 24   | SP-D400-U24    | MANETA PUERTA ACCESO            | FRONT DOOR HANDLE                     |
| 25   | SP-D400-U25    | FIJACION BATERIA                | BATTERY FASTENING PLATE               |
| 26   | SP-D400-U26    | JUEGO VARILLAS FIJACION BATERIA | BATTERY FASTENING ROD                 |
| 27   | SP-D400-U27    | CAUCHO BASE BATERIA             | BATTERY RUBBER BASE PLATER            |
| 28   | SP-D400-U28    | JUNTA SILENCIADORES ESCAPE      | MUFFLER GASKET 1                      |
| 29   | SP-D400-U29    | FIJADOR TUBO PRESION            | HIGH PRESSURE PIPE CLIP               |
| 30   | SP-D400-U30    | GOMA CAJA FILTRO AIRE           | RUBBER ROUND COVER FOR AIR INLET PIPE |
| 31   | SP-D400-U31    | GOMA BOCA DEPOSITO              | RUBBER ROUND COVER FOR FUEL TANK      |
| 32   | SP-D400-U32    | VISOR EXTERNO NIVEL COMBUSTIBLE | FUEL TANK INDICATOR DOOR              |
| 33   | SP-D400-U33    | RUEDAS MODELO SE                | 4 INCH WHEEL                          |
| 38   | SP-D400-U38    | JUNTA SILENCIADORES ESCAPE      | MUFFLER GASKET 2                      |
| 38-1 | SP-D500-U38-1  | JUNTA SILENCIADORES ESCAPE      | MUFFLER GASKET 2                      |
| 39   | SP-D400-W39-BD | TAPA FRONTAL B+D                | CANOPY FRONT COVER B+D                |
| 40   | SP-D400-W40-BD | TAPA TRASERA B+D                | CANOPY BACK COVER B+D                 |
| 42   | SP-D400-U42    | SILENCIADOR ESCPAE COMPLETO     | MUFFLER ASSY                          |
| 42-1 | SP-D500-U42-1  | SILENCIADOR ESCAPE COMPLETO     | MUFFLER ASSY                          |
| 43   | SP-D400-U43    | CATALIZADOR                     | CATALYST                              |

FAST MOVING PARTS

RECOMMENDED PARTS

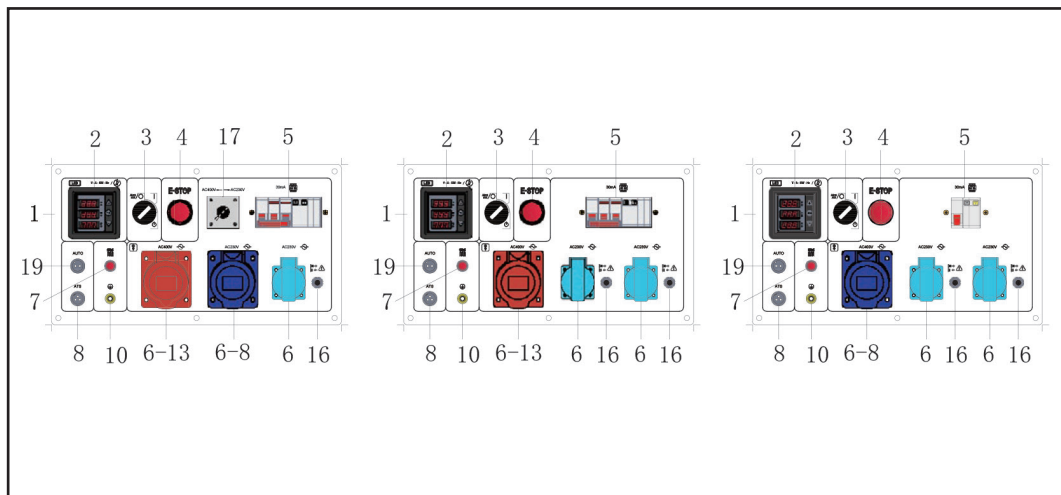




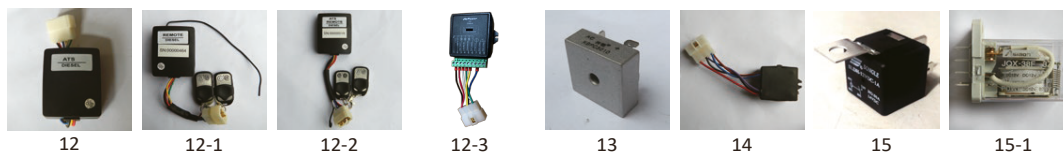
| Nº   | REF.                    | DESCRIPCIÓN (ES)                       | DESCRIPTION (EN)                         |
|------|-------------------------|--|--|
| 1    | SP-PC-PANEL-D500SE      | PANEL DE CONTROL COMPLETO D500SE       | CONTROL PANEL ASSY D500SE                |
| 1-1  | SP-PC-PANEL-D500SET     | PANEL DE CONTROL COMPLETO D500SET      | CONTROL PANEL ASSY D500SET               |
| 2    | SP-PC-LED5-1PH          | LED5 DISPLAY (LE/SE) (MONOFASICO)      | LED5 DISPLAY (LE/SE) (SINGLE PHASE)      |
| 2-1  | SP-PC-LED5-3PH          | LED5 DISPLAY (LE-3/SE-3) (3 PHASE)     | LED5 DISPLAY (LE-3/SE-3) (3 PHASE)       |
| 2-2  | SP-PC-LED5-FULL         | LED5 DISPLAY (LET/SET) (FULL POWER)    | LED5 DISPLAY (LET/SET) (FULL POWER)      |
| 2-3  | SP-PC-LED6              | PANTALLA LED 6                         | LED 6 DISPLAY                            |
| 2-4  | SP-PC-DC30D             | PANTALLA DIGITAL DC30D                 | DIGITAL DISPLAY DC30D                    |
| 2-5  | SP-PC-TOROIDAL-LED6     | TOROIDAL PANTALLA LED 6                | TOROIDAL LED 6 DISPLAY                   |
| 3    | SP-PC-STARTER-D         | BOMBIN DE ARRANQUE DIESEL              | KEY STARTER DIESEL                       |
| 4    | SP-PC-STOP              | PARO DE EMERGENCIA                     | E-STOP BUTTON                            |
| 5    |                         | DIFERENCIAL 1P+N                       | LEAKAGE BREAKER 1P+N                     |
| 5-1  |                         | DIFERENCIAL 3P+N                       | LEAKAGE BREAKER 3P+N                     |
| 5-2  |                         | DIFERENCIAL NEGRO 1P                   | BLACK BREAKER 1P                         |
| 5-3  |                         | DIFERENCIAL NEGRO 2P                   | BLACK BREAKER 2P                         |
| 5-4  |                         | DIFERENCIAL NEGRO 3P                   | BLACK BREAKER 3P                         |
| 5-5  |                         | DIFERENCIAL 1P                         | BREAKER 1P                               |
| 6    | SP-PC-BASE-SCH-16A-IP44 | BASE SCHUKO 16A                        | EUROPE SOCKET 16A SCHUKO                 |
| 6-1  |                         | BASE SCHUKO NEGRO AUSTRALIA 15 A       | BLACK AUSTRALIA SOCKET 15A               |
| 6-2  |                         | BASE SCHUKO NEGRO ARGENTINA 15A        | BLACK ARGENTINA SOCKET 15A               |
| 6-3  |                         | BASE SCHUKO AUSTRALIANA 15A IP67       | IP67 AUSTRALIA SOCKET 15A                |
| 6-4  |                         | BASE SCHUKO AUSTRALIANA 32A IP67       | IP67 AUSTRALIA SOCKET 32A                |
| 6-5  |                         | BASE SCHUKO AMARILLO 110-130V 16A      | 110-130V EUROPE YELLOW SOCKET 16A        |
| 6-6  |                         | BASE SCHUKO AMARILLO 110-130V 32A      | 110-130V EUROPE YELLOW SOCKET 32A        |
| 6-7  |                         | BASE SCHUKO AZUL 220-250V 16A          | 220-250V EUROPE BLUE SOCKET 16A          |
| 6-8  |                         | BASE SCHUKO AZUL 220-250V 32A          | 220-250V EUROPE BLUE SOCKET 32A          |
| 6-9  |                         | BASE SCHUKO AMERICANA 3 PINS 20A       | AMERICAN THREE PINS SOCKET 20A           |
| 6-10 |                         | DOBLE BASE SCHUKO AMERICANA 20A        | AMERICAN DOUBLE SOCKET 20A               |
| 6-11 |                         | BASE SCHUKO AMERICANA 4 PINS 30A       | AMERICAN FOUR HOLES SOCKET 30A           |
| 6-12 | SP-PC-BASE-SCH-32A-IP44 | BASE SCHUKO INDUSTRIAL 3-P 32A         | INDUSTRIAL FOUR HOLES SOCKET 3-PHASE 32A |
| 6-13 | SP-PC-BASE-SCH-16A-IP54 | BASE SCHUKO INDUSTRIAL 3-P 16A         | INDUSTRIAL FIVE HOLES SOCKET 3-PHASE 16A |
| 6-14 |                         | BASE SCHUKO AUSTRALIANA 3 FASES 20A    | IP67 AUSTRALIA SOCKET 3PHASE 20A         |
| 7    | SP-PC-PRE-HEATER        | PULSADOR PRECALENTADOR                 | AIR PRE-HEATER BUTTON                    |
| 8    | SP-PC-ATS-3             | BASE CONECTOR 3 PINS ATS PARA 3000 rpm | 3 PINS ATS SOCKET                        |
| 9    | SP-PC-CON-12V-T         | CONECTOR TIPO T 12V / DC               | T-TYPE 12V/DC CONNECTOR                  |
| 10   | SP-PC-CON-EARTH         | TUERCA DE TIERRA                       | GROUNDING NUT                            |
| 11   | SP-PC-FUSE-8A           | KIT DE FUSIBLES PANEL                  | FUSE KIT                                 |

FAST MOVING PARTS

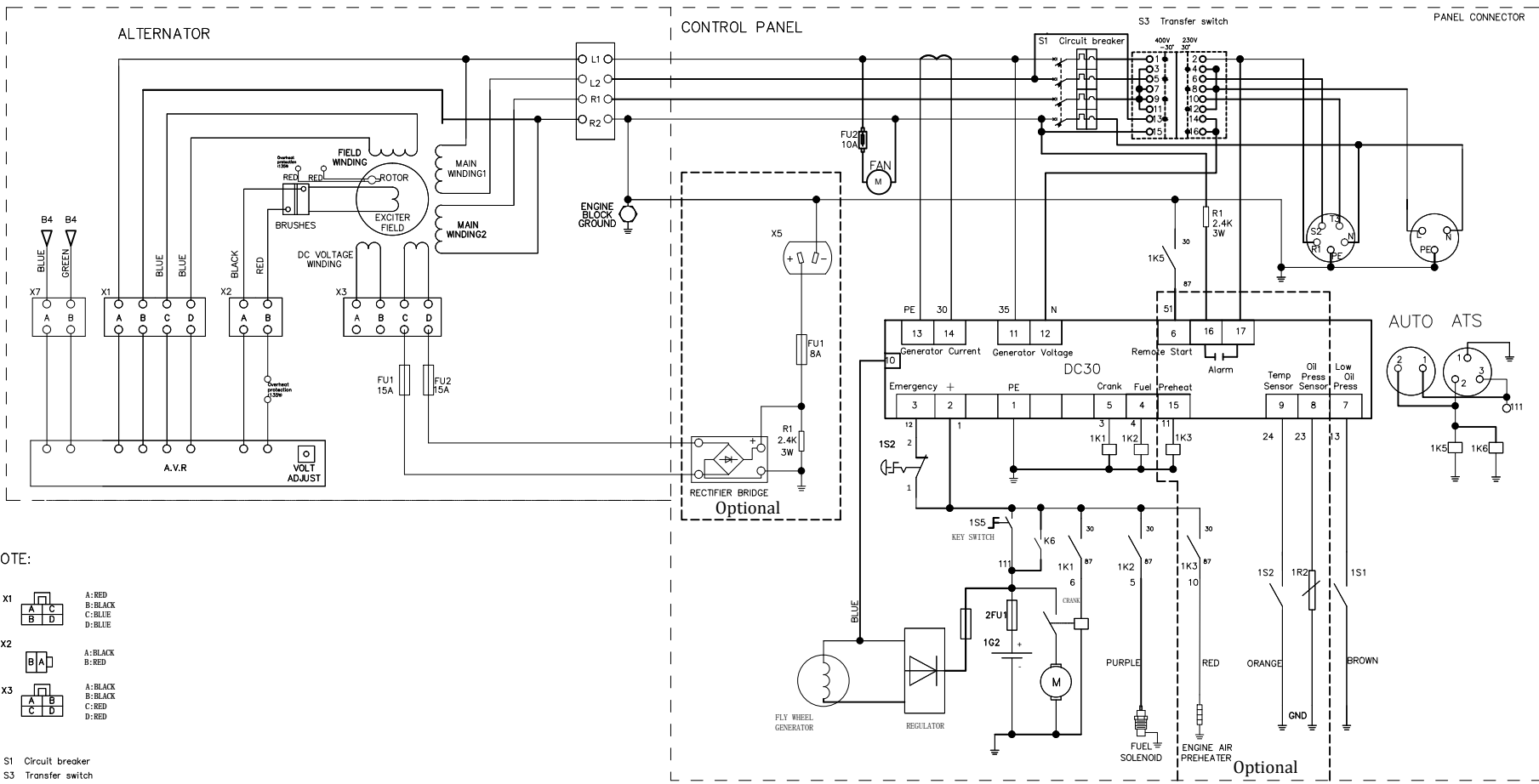
RECOMMENDED PARTS



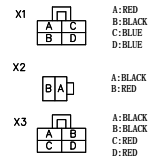
| Nº   | REF.                 | DESCRIPCIÓN (ES)                       | DESCRIPTION (EN)                   |
|------|----------------------|--|------------------------------------|
| 12   | SP-PC-MODUL-ATS      | MODULO ATS DIESEL                      | ATS MODULES                        |
| 12-1 | SP-PC-MODUL-R-D      | MODULO REMOTE DIESEL                   | DIESEL REMOTE CONTROL MODULE       |
| 12-2 | SP-PC-MODULO-ATS-R-D | MODULO ATS - REMOTE - DIESEL           | DIESEL ATS + REMOTE CONTROL MODULE |
| 12-3 | SP-PC-MODUL-ATS-22   | MODULO ATS DIESEL 2022                 | ATS DIESEL MODULE 2022             |
| 13   | SP-PC-RECTI          | RECTIFICADOR 12V                       | RECTIFIER 12V                      |
| 14   | SP-D400-V14          | CAJA RELE                              | RELAY BOX                          |
| 15   | SP-D400-M05-1        | RELE                                   | RELAY                              |
| 16   | SP-PC-OVER-8A        | PROTECTOR 12V 8A                       | OVERLOAD PROTECTOR 8A              |
| 16-1 | SP-PC-OVER-14A       | PROTECTOR 12V 14A                      | OVERLOAD PROTECTOR 14A             |
| 17   | SP-PC-SELEC-T        | INTERRUPTOR UNIVERSAL LW39B-16A D404.4 | UNIVERSAL SWITCH LW39B-16A D404.4  |
| 18   | SP-PC-OIL-LED        | INDICADOR PRESION ACEITE               | LOW OIL PRESSURE INDICATOR         |
| 19   | SP-PC-ATS-2          | BASE CONECTOR 2 PINS ATS PARA 3000 rpm | 2 PINS ATS SOCKET                  |



17



NOTE:



S1 Circuit breaker  
S3 Transfer switch

|         |  |  |           |  |  |           |  |  |           |  |  |                        |  |  |
|---------|--|--|-----------|--|--|-----------|--|--|-----------|--|--|------------------------|--|--|
| SCALE:  |  |  | SCALE     |  |  | MATERIAL: |  |  | QUANTITY: |  |  | WEIGHT:                |  |  |
| 2020    |  |  | DRAWN     |  |  | TITLE:    |  |  | DC30      |  |  |                        |  |  |
| CHECKED |  |  | APPROVED  |  |  | USED ON:  |  |  |           |  |  |                        |  |  |
| SIGN    |  |  | VARIATION |  |  | NAME      |  |  | DATE      |  |  | PART NO.:              |  |  |
|         |  |  |           |  |  |           |  |  |           |  |  | FIRST ANGLE PROJECTION |  |  |
|         |  |  |           |  |  |           |  |  |           |  |  | SIZE: A4               |  |  |
|         |  |  |           |  |  |           |  |  |           |  |  | REV NO.:               |  |  |
|         |  |  |           |  |  |           |  |  |           |  |  | SHEET:                 |  |  |

THIS DOCUMENT IS THE PROPERTY OF ITC POWER GEN. LTD. IT CONTAINS PROPRIETARY AND CONFIDENTIAL INFORMATION WHICH MUST NOT BE DUPLICATED, USED OR DISCLOSED OTHER THAN AS EXPRESSLY AUTHORIZED BY ITC POWER GEN. LTD OR ITS REPRESENTATIVE