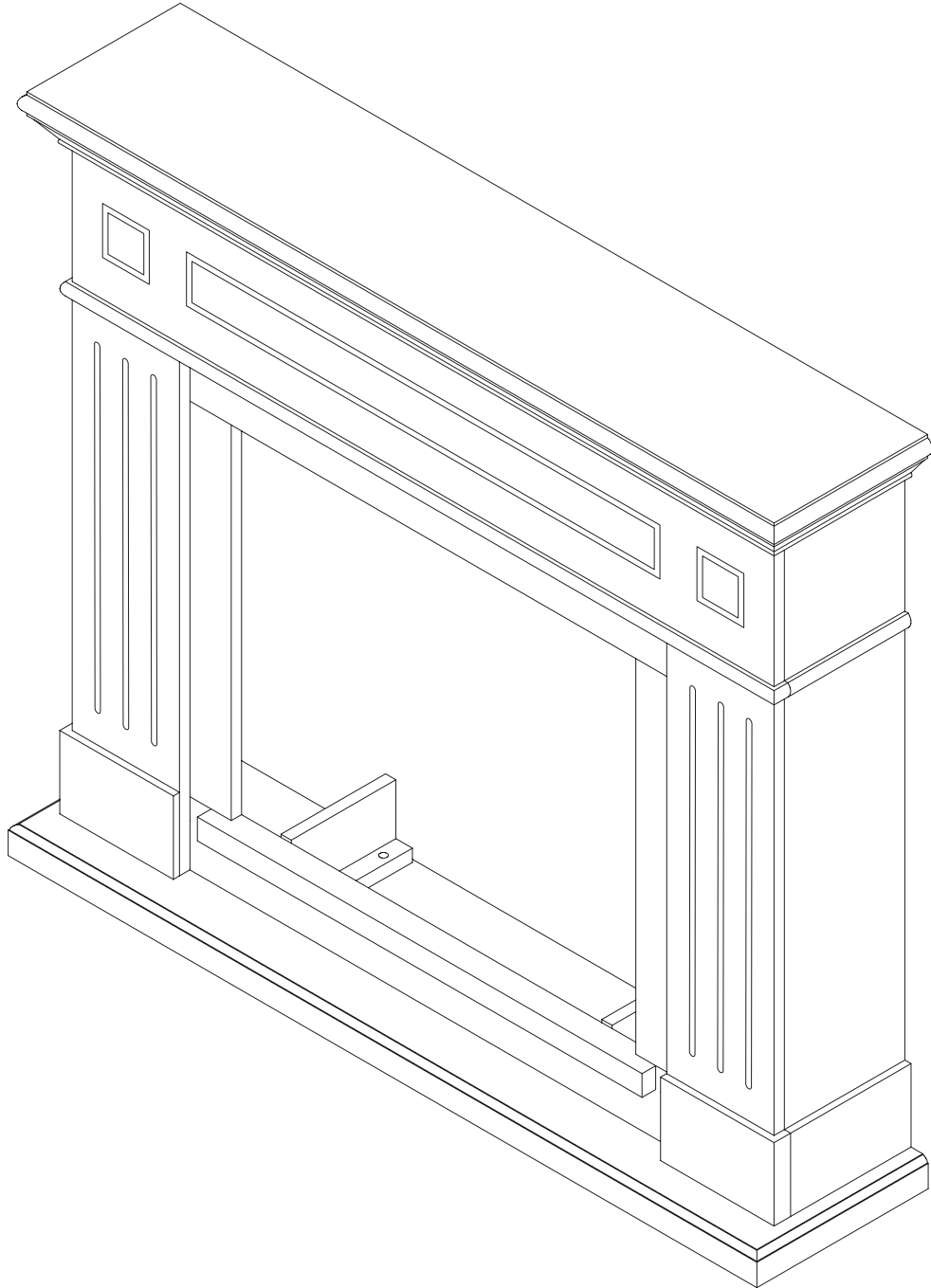
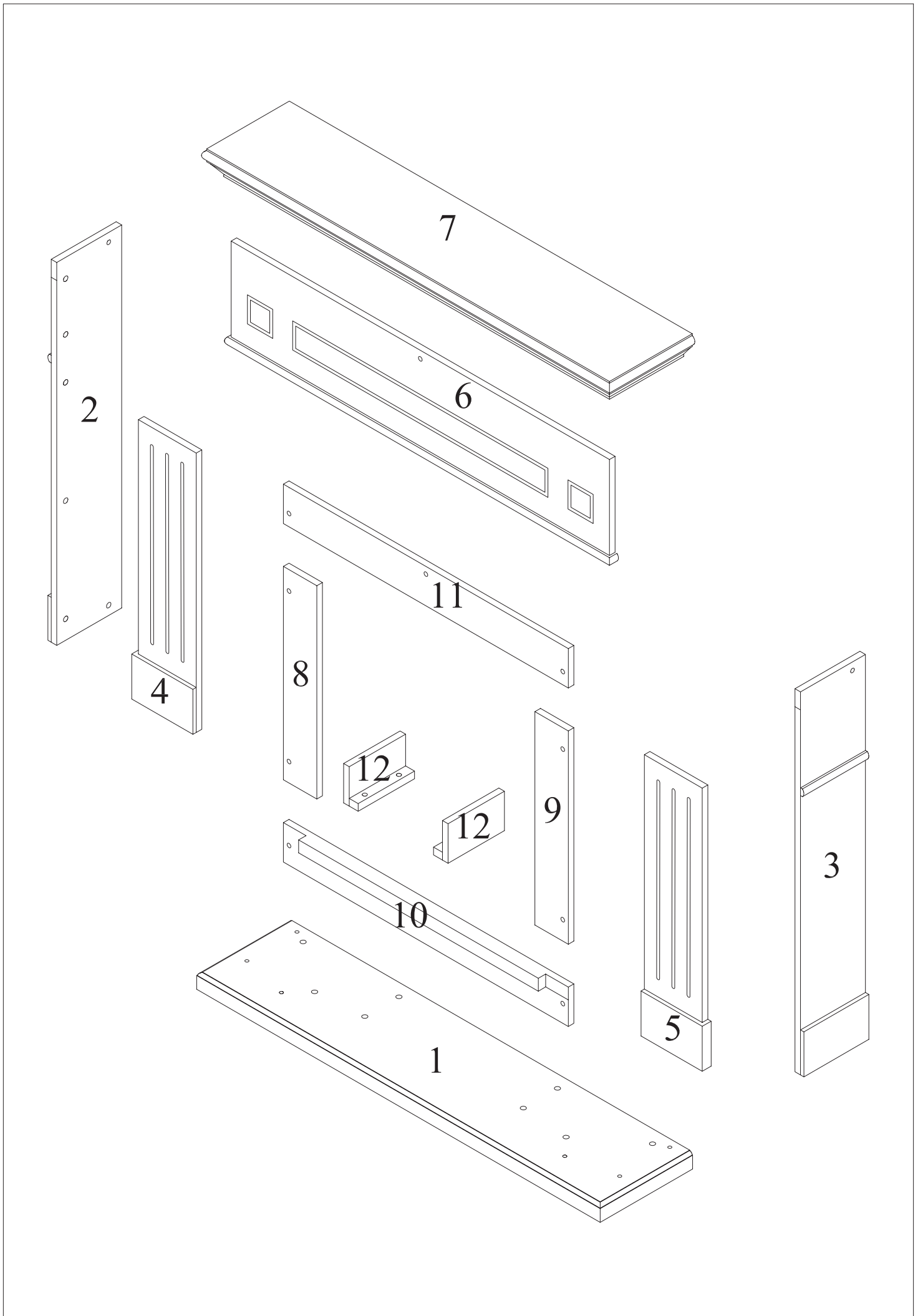
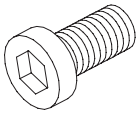
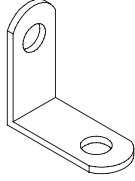
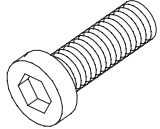
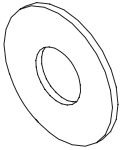
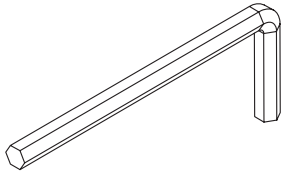
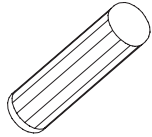


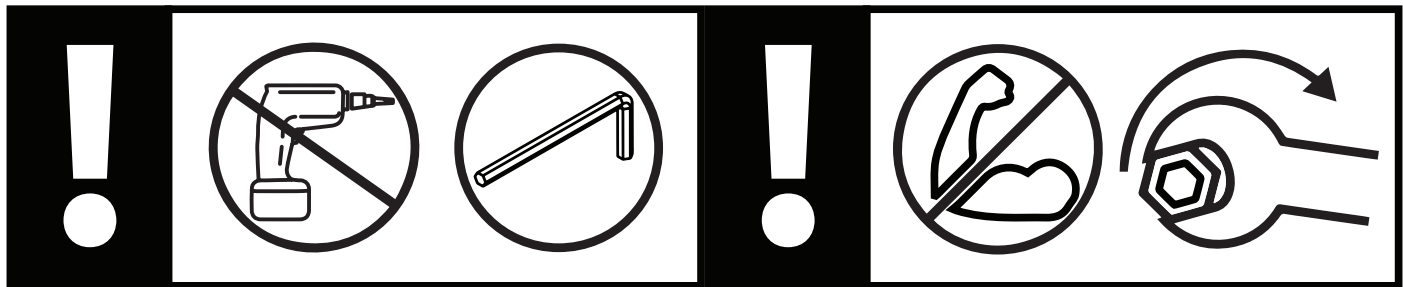
LARSEN

FM462

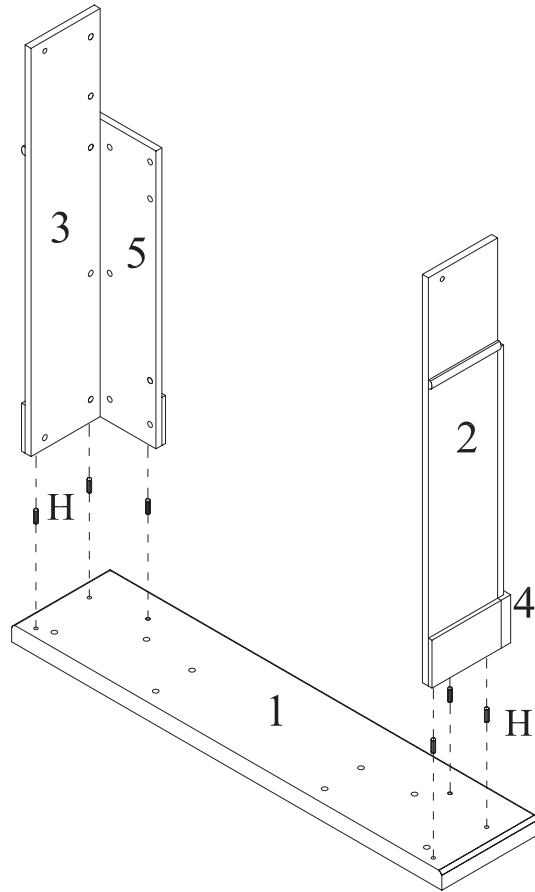




| | | |
|--|---|---|
| <p>A</p>  <p>Ø6 x 12mm x28</p> | <p>B</p>  <p>x 14</p> | <p>C</p>  <p>Ø6 x 28mm x 16</p> |
| <p>D</p>  <p>x 16</p> | <p>E</p>  <p>x 1</p> | <p>H</p>  <p>Ø8 x 30mm x 6</p> |



1



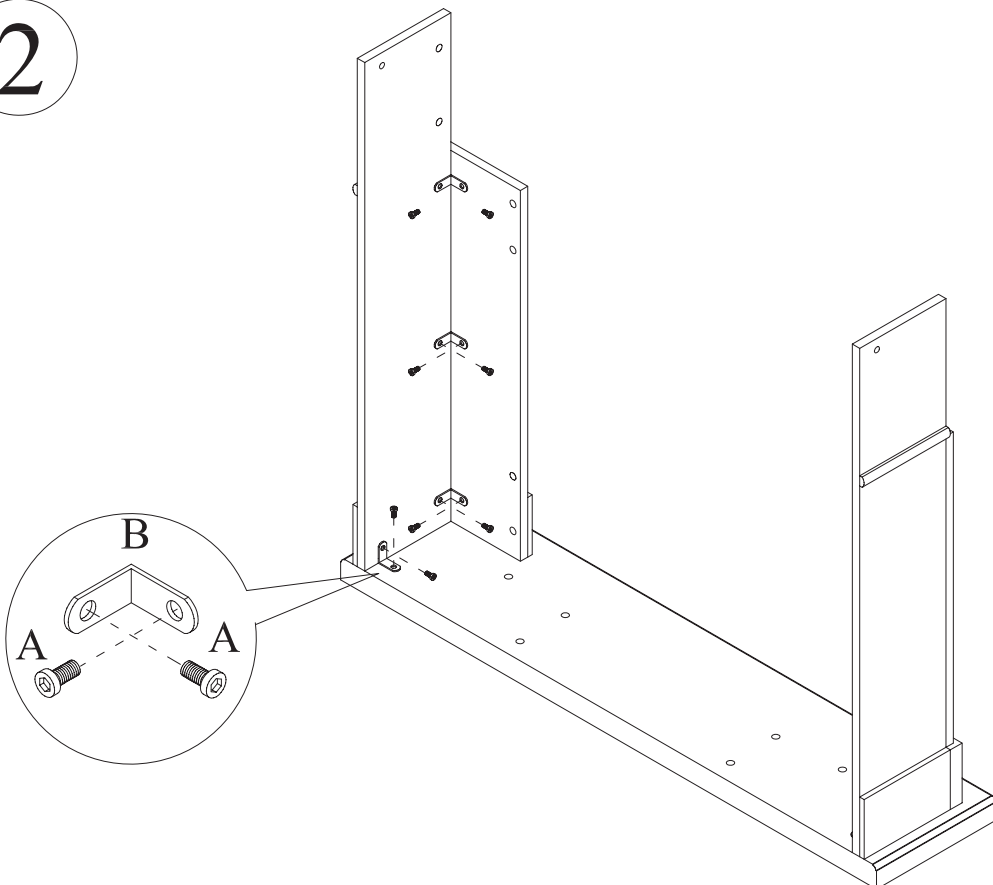
H



Ø8 x 30mm

x 6

2



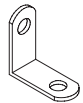
A



Ø6 x 12mm

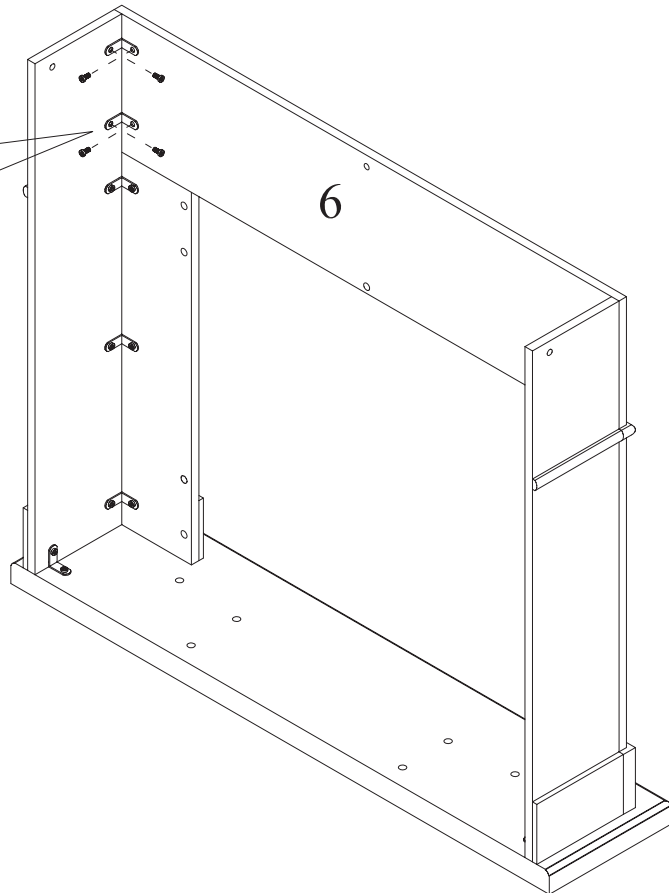
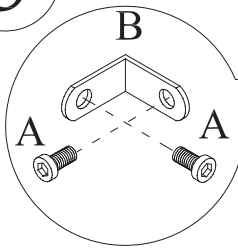
x 16

B



x 8

3

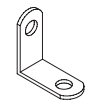


A



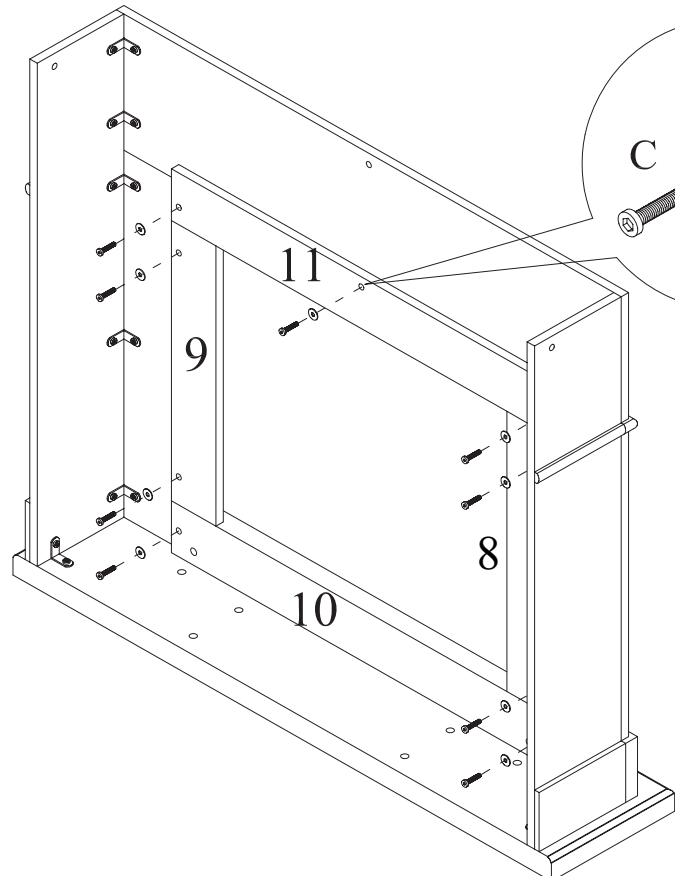
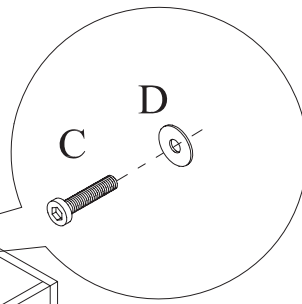
Ø6 x 12mm
x8

B



x4

4



C



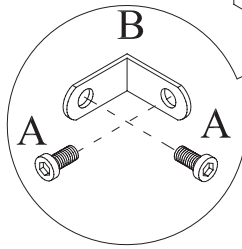
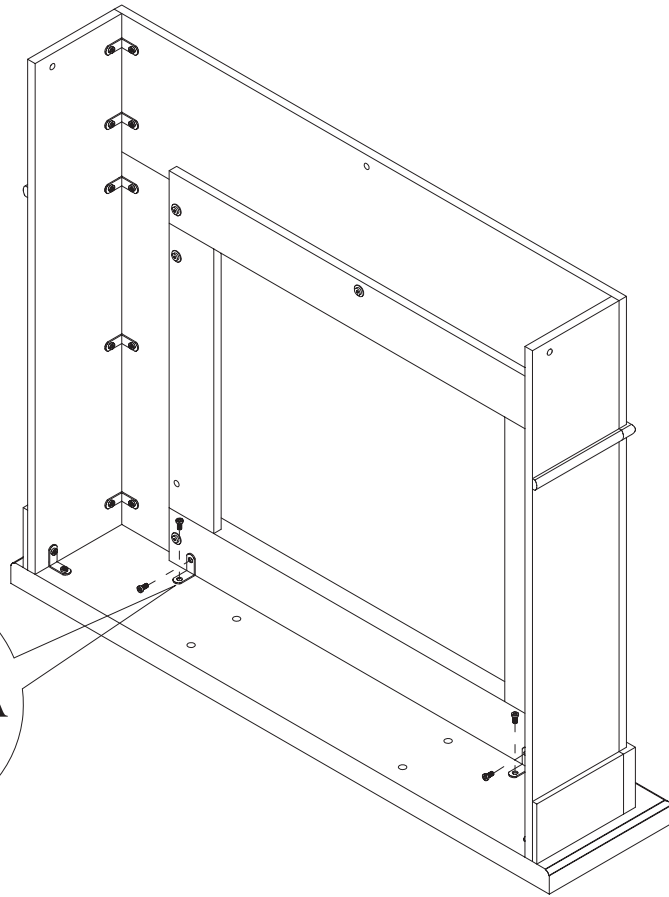
Ø6 x 28mm
x9

D



x9

5

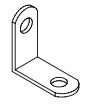


A



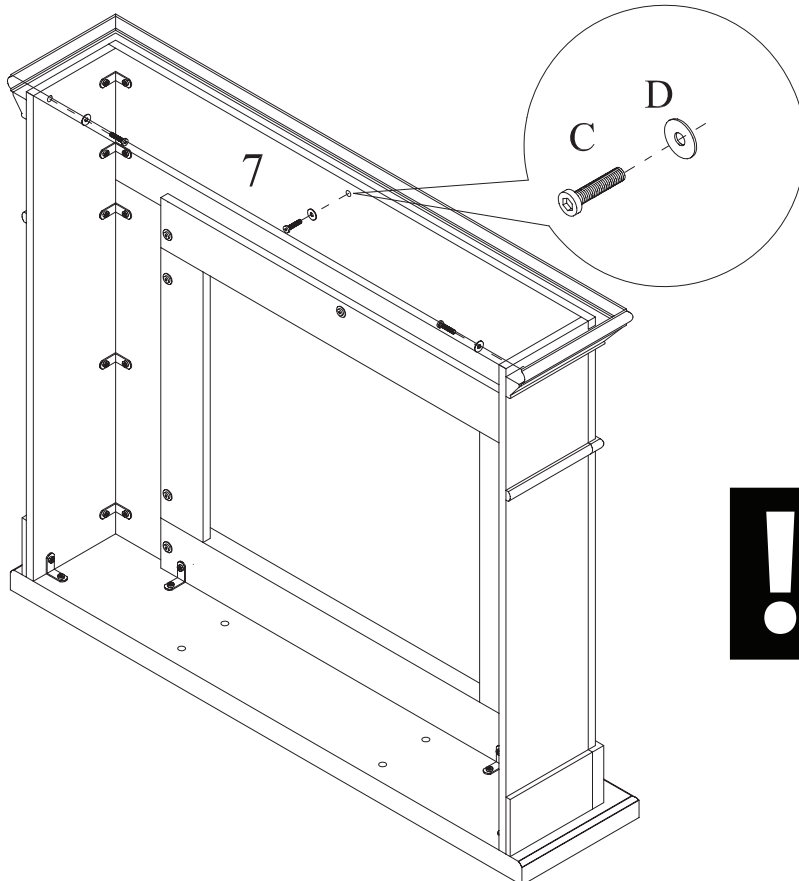
Ø6 x 12mm
x4

B



x2

6



C

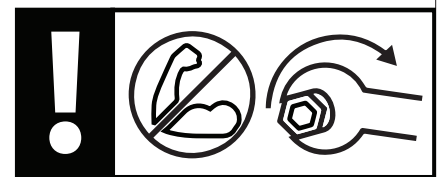


Ø6 x 28mm
x3

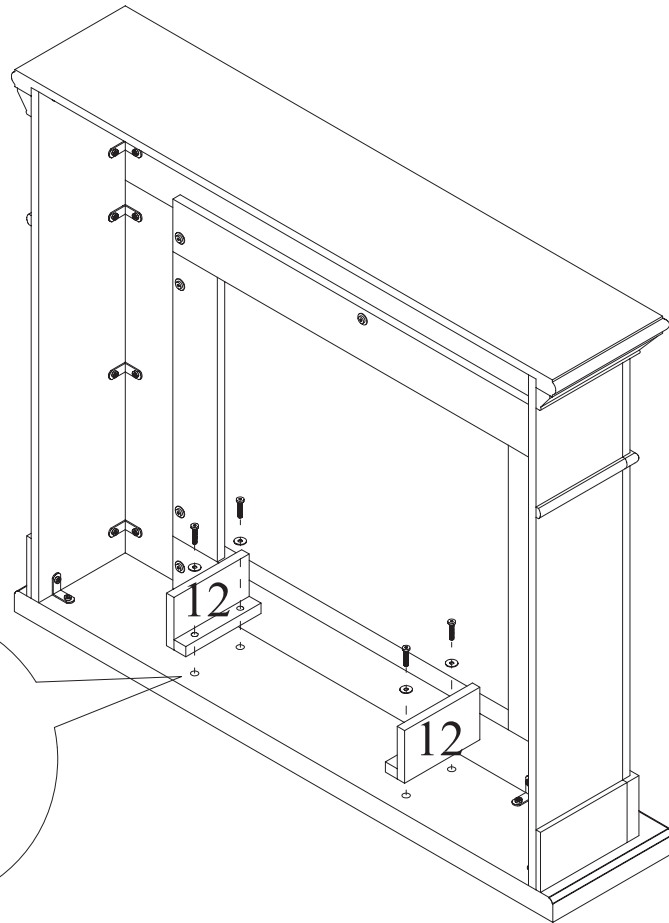
D



x3

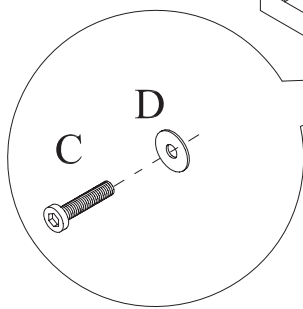


7

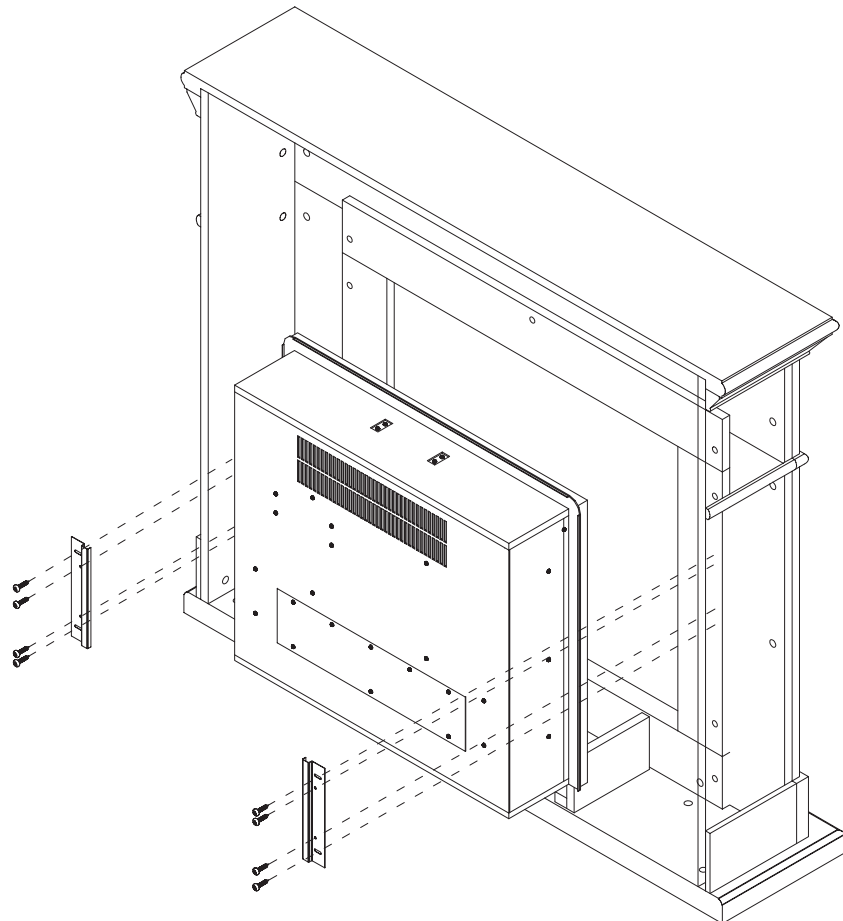


C
Ø6 x 28mm
x 4

D
x 4



8



TAGU
the missing piece