

# Air to Water Heat Pump SUZ-SWM·VA(H) series SUZ-SHWM·VAH series

INSTALLATION MANUAL	FOR INSTALLER	English
INSTALLATIONSHANDBUCH	FÜR INSTALLATEURE	Deutsch
MANUEL D'INSTALLATION	POUR L'INSTALLATEUR	Français
INSTALLATIEHANDLEIDING	VOOR DE INSTALLATEUR	Nederlands
MANUAL DE INSTALACIÓN	PARA EL INSTALADOR	Español
MANUALE DI INSTALLAZIONE	PER L'INSTALLATORE	Italiano
ΕΓΧΕΙΡΙΔΙΟ ΟΔΗΓΙΩΝ ΕΓΚΑΤΑΣΤΑΣΗΣ	ΓΙΑ ΑΥΤΟΝ ΠΟΥ ΚΑΝΕΙ ΤΗΝ ΕΓΚΑΤΑΣΤΑΣΗ	Ελληνικά
MANUAL DE INSTALAÇÃO	PARA O INSTALADOR	Português
INSTALLATIONSMANUAL	TIL INSTALLATØREN	Dansk
INSTALLATIONSMANUAL	FÖR INSTALLATÖREN	Svenska
MONTAJ ELKİTABI	MONTÖR İÇİN	Türkçe
РУКОВОДСТВО ПО УСТАНОВКЕ	ДЛЯ УСТАНОВИТЕЛЯ	Русский
ПОСІБНИК З УСТАНОВЛЕННЯ	ДЛЯ СПЕЦІАЛІСТА З МОНТАЖУ	Українська
РЪКОВОДСТВО ЗА МОНТАЖ	ЗА МОНТАЖНИКА	Български
INSTRUKCJA MONTAŻU	DLA INSTALATORA	Polski
INSTALLASJONSHÅNDBOK	FOR MONTØR	Norsk
ASENNUSOPAS	ASENTAJALLE	Suomi
INSTALAČNÍ PŘÍRUČKA	PRO MONTÁŽNÍ PRACOVNÍKY	Čeština
NÁVOD NA INŠTALÁCIU	PRE MONTÉRA	Slovenčina
TELEPÍTÉSI KÉZIKÖNYV	A TELEPÍTŐ RÉSZÉRE	Magyar
NAMESTITVENI PRIROČNIK	ZA MONTERJA	Slovenščina
MANUAL DE INSTALARE	PENTRU INSTALATOR	Română
PAIGALDUSJUHEND	PAIGALDAJALE	Eesti
MONTĀŽAS ROKASGRĀMATA	UZSTĀDĪŠANAS SPECIĀLISTAM	Latviski
MONTAVIMO VADOVAS	SKIRTA MONTUOTOJUI	Lietuviškai
PRIRUČNIK ZA POSTAVLJANJE	ZA INSTALATERA	Hrvatski
UPUTSTVO ZA UGRADNJU	ZA MONTERA	Srpski

1. Safety precautions .....	1	7. Maintenance .....	10
2. Selecting the installation location .....	3	8. Water piping work .....	11
3. Installation diagram .....	5	9. Pumping down .....	13
4. Drain piping for outdoor unit .....	5	10. Specifications .....	14
5. Refrigerant piping work .....	6	11. Serial number .....	14
6. Electrical work .....	9		



**Note: This symbol mark is for EU countries only.**

This symbol mark is according to the directive 2012/19/EU Article 14 Information for users and Annex IX.

Your MITSUBISHI ELECTRIC product is designed and manufactured with high quality materials and components which can be recycled and reused.

This symbol means that electrical and electronic equipment, at their end-of-life, should be disposed of separately from your household waste.

Please, dispose of this equipment at your local community waste collection/recycling centre.

In the European Union there are separate collection systems for used electrical and electronic product.

Please, help us to conserve the environment we live in!

**CAUTION:**

- Do not vent R32 into the atmosphere.

**1. Safety precautions**

- ▶ Before installing the unit, make sure you read all the "Safety precautions".
- ▶ Please report to or take consent by the supply authority before connection to the system.

After installation work has been completed, explain the "Safety Precautions," use, and maintenance of the unit to the customer according to the information in the Operation Manual and perform the test run to ensure normal operation. Both the Installation Manual and Operation Manual must be given to the user for keeping. These manuals must be passed on to subsequent users.

**WARNING:**

Describes precautions that must be observed to prevent danger of injury or death to the user.

⚡ : Indicates a part which must be grounded.

**CAUTION:**

Describes precautions that must be observed to prevent damage to the unit.

**WARNING:**

Carefully read the labels affixed to the main unit.

⊙ : Indicates warnings and cautions when using R32 refrigerant.

**MEANINGS OF SYMBOLS DISPLAYED ON INDOOR UNIT AND/OR OUTDOOR UNIT**

	<b>WARNING</b> (Risk of fire)	This mark is for R32 refrigerant only. Refrigerant type is written on nameplate of outdoor unit. In case that refrigerant type is R32, this unit uses a flammable refrigerant. If refrigerant leaks and comes in contact with fire or heating part, it will create harmful gas and there is risk of fire.
		Read the OPERATION MANUAL carefully before operation.
		Service personnel are required to carefully read the OPERATION MANUAL and INSTALLATION MANUAL before operation.
		Further information is available in the OPERATION MANUAL, INSTALLATION MANUAL, and the like.

**WARNING:**

- The unit must not be installed by the user. Ask a dealer or an authorized technician to install and repair the unit. If the unit is installed incorrectly, water leakage, electric shock, or fire may result.
- For installation and relocation work, follow the instructions in the Installation Manual and use tools and pipe components specifically made for use with R32 refrigerant. If pipe components not designed for R32 refrigerant are used and the unit is not installed correctly, the pipes may burst and cause damage or injuries. In addition, water leakage, electric shock, or fire may result.
- The unit must be installed according to the instructions in order to minimize the risk of damage from earthquakes, typhoons, or strong winds. An incorrectly installed unit may fall down and cause damage or injuries.
- The unit must be securely installed on a structure that can sustain its weight. If the unit is mounted on an unstable structure, it may fall down and cause damage or injuries.
- If the air to water heat pump is installed in a small room, measures must be taken to prevent the refrigerant concentration in the room from exceeding the safety limit in the event of refrigerant leakage. Consult a dealer regarding the appropriate measures to prevent the allowable concentration from being exceeded. Should the refrigerant leak and cause the concentration limit to be exceeded, hazards due to lack of oxygen in the room may result.
- Ventilate the room if refrigerant leaks during operation. If refrigerant comes into contact with a flame, poisonous gases will be released.
- All electric work must be performed by a qualified technician according to local regulations and the instructions given in this manual. The units must be powered by dedicated power lines and the correct voltage and circuit breakers must be used. Power lines with insufficient capacity or incorrect electrical work may result in electric shock or fire.
- Use C1220 copper phosphorus, for copper and copper alloy seamless pipes, to connect the refrigerant pipes. If the pipes are not connected correctly, the unit will not be properly grounded and electric shock may result.
- This appliance is intended to be used by expert or trained users in shops, in light industry and on farms, or for commercial use by lay persons.
- Use only specified cables for wiring. The wiring connections must be made securely with no tension applied on the terminal connections. Also, never splice the cables for wiring (unless otherwise indicated in this document). Failure to observe these instructions may result in overheating or a fire.
- If the supply cord is damaged, it must be replaced by the manufacturer, its service agent or similarly qualified persons in order to avoid hazard.
- The appliance shall be installed in accordance with national wiring regulations.
- The terminal block cover panel of the outdoor unit must be firmly attached. If the cover panel is mounted incorrectly and dust and moisture enter the unit, electric shock or fire may result.

# 1. Safety precautions

- When installing or relocating, or servicing the air to water heat pump, use only the specified refrigerant (R32) to charge the refrigerant lines. Do not mix it with any other refrigerant and do not allow air to remain in the lines. If air is mixed with the refrigerant, then it can be the cause of abnormal high pressure in the refrigerant line, and may result in an explosion and other hazards.

The use of any refrigerant other than that specified for the system will cause mechanical failure or system malfunction or unit breakdown. In the worst case, this could lead to a serious impediment to securing product safety.

- Use only accessories authorized by Mitsubishi Electric and ask a dealer or an authorized technician to install them. If accessories are incorrectly installed, water leakage, electric shock, or fire may result.
- Do not alter the unit. It may cause fire, electric shock, injury or water leakage.
- The user should never attempt to repair the unit or transfer it to another location. If the unit is installed incorrectly, water leakage, electric shock, or fire may result. If the air to water heat pump must be repaired or moved, ask a dealer or an authorized technician.
- When the refrigeration circuit has a leak, DO NOT execute pump down with the compressor.
- When pumping down the refrigerant, stop the compressor before disconnecting the refrigerant pipes. The compressor may burst if air etc. get into it.
- After installation has been completed, check for refrigerant leaks. If refrigerant leaks into the room and comes into contact with the flame of a heater or portable cooking range, poisonous gases will be released.
- Do not use means to accelerate the defrosting process or to clean, other than those recommended by the manufacturer.
- The appliance shall be stored in a room without continuously operating ignition sources (for example: open flames, an operating gas appliance or an operating electric heater).

- Do not pierce or burn.
- Be aware that refrigerants may not contain an odour.
- ⊙ Pipe-work shall be protected from physical damage.
- The installation of pipe-work shall be kept to a minimum.
- Compliance with national gas regulations shall be observed.
- Keep any required ventilation openings clear of obstruction.
- ⊙ Do not use low temperature solder alloy in case of brazing the refrigerant pipes.
- ⊙ When performing brazing work, be sure to ventilate the room sufficiently. Make sure that there are no hazardous or flammable materials nearby. When performing the work in a closed room, small room, or similar location, make sure that there are no refrigerant leaks before performing the work. If refrigerant leaks and accumulates, it may ignite or poisonous gases may be released.
- ⊙ The appliance shall be stored in a well-ventilated area where the room size corresponds to the room area as specified for operation.
- ⊙ Keep gas-burning appliances, electric heaters, and other fire sources (ignition sources) away from the location where installation, repair, and other air to water heat pump work will be performed. If refrigerant comes into contact with a flame, poisonous gases will be released.
- ⊙ Do not smoke during work and transportation.
- ⊙ Do not add the refrigerant more than maximum amount each outdoor units. If it exceeds the maximum amount of refrigerant, it could result in a fire when the refrigerant leaks.

## 1.1. Before installation



### CAUTION:

- Do not use the unit in an unusual environment. If the air to water heat pump is installed in areas exposed to steam, volatile oil (including machine oil), or sulfuric gas, areas exposed to high salt content such as the seaside, or areas where the unit will be covered by snow, the performance can be significantly reduced and the internal parts can be damaged.
- Do not install the unit where combustible gases may leak, be produced, flow, or accumulate. If combustible gas accumulates around the unit, fire or explosion may result.

- The outdoor unit produces condensation during the heating operation. Make sure to provide drainage around the outdoor unit if such condensation is likely to cause damage.
- When installing the unit in a hospital or communications office, be prepared for noise and electronic interference. Inverters, home appliances, high-frequency medical equipment, and radio communications equipment can cause the air to water heat pump to malfunction or breakdown. The air to water heat pump may also affect medical equipment, disturbing medical care, and communications equipment, harming the screen display quality.

## 1.2. Before installation (relocation)



### CAUTION:

- Be extremely careful when transporting or installing the units. Two or more persons are needed to handle the unit, as it weighs 20 kg or more. Do not grasp the packaging bands. Wear protective gloves to remove the unit from the packaging and to move it, as you can injure your hands on the fins or the edge of other parts.
- Be sure to safely dispose of the packaging materials. Packaging materials, such as nails and other metal or wooden parts may cause stabs or other injuries.

- The base and attachments of the outdoor unit must be periodically checked for looseness, cracks or other damage. If such defects are left uncorrected, the unit may fall down and cause damage or injuries.
- Do not clean the air to water heat pump unit with water. Electric shock may result.
- Tighten all flare nuts to specification using a torque wrench. If tightened too much, the flare nut can break after an extended period and refrigerant can leak out.

## 1.3. Before electric work



### CAUTION:

- Be sure to install circuit breakers. If not installed, electric shock may result.
- For the power lines, use standard cables of sufficient capacity. Otherwise, a short circuit, overheating, or fire may result.
- When installing the power lines, do not apply tension to the cables. If the connections are loosened, the cables can snap or break and overheating or fire may result.

- Be sure to ground the unit. Do not connect the ground wire to gas or water pipes, lightning rods, or telephone grounding lines. If the unit is not properly grounded, electric shock may result.
- Use circuit breakers (ground fault interrupter, isolating switch (+B fuse), and molded case circuit breaker) with the specified capacity. If the circuit breaker capacity is larger than the specified capacity, breakdown or fire may result.

# 1. Safety precautions

## 1.4. Before starting the test run

### ⚠ CAUTION:

- Turn on the main power switch more than 12 hours before starting operation. Starting operation just after turning on the power switch can severely damage the internal parts. Keep the main power switch turned on during the operation season.
- Before starting operation, check that all panels, guards and other protective parts are correctly installed. Rotating, hot, or high voltage parts can cause injuries.

- Do not touch any switch with wet hands. Electric shock may result.
- Do not touch the refrigerant pipes with bare hands during operation. The refrigerant pipes are hot or cold depending on the condition of the flowing refrigerant. If you touch the pipes, burns or frostbite may result.
- After stopping operation, be sure to wait at least five minutes before turning off the main power switch. Otherwise, water leakage or breakdown may result.

## 1.5. Using R32 refrigerant air to water heat pump

### ⚠ CAUTION:

- Use C1220 copper phosphorus, for copper and copper alloy seamless pipes, to connect the refrigerant pipes. Make sure the insides of the pipes are clean and do not contain any harmful contaminants such as sulfuric compounds, oxidants, debris, or dust. Use pipes with the specified thickness. (Refer to 4.1.) Note the following if reusing existing pipes that carried R22 refrigerant.
  - Replace the existing flare nuts and flare the flared sections again.
  - Do not use thin pipes. (Refer to 4.1.)
- Store the pipes to be used during installation indoors and keep both ends of the pipes sealed until just before brazing. (Leave elbow joints, etc. in their packaging.) If dust, debris, or moisture enters the refrigerant lines, oil deterioration or compressor breakdown may result.
- Use ester oil, ether oil, alkylbenzene oil (small amount) as the refrigeration oil applied to the flared sections. If mineral oil is mixed in the refrigeration oil, oil deterioration may result.

- Servicing shall be performed only as recommended by the manufacturer.
- Do not use refrigerant other than R32 refrigerant. If another refrigerant is used, the chlorine will cause the oil to deteriorate.
- Use the following tools specifically designed for use with R32 refrigerant. The following tools are necessary to use R32 refrigerant. Contact your nearest dealer for any questions.

Tools (for R32)	
Gauge manifold	Flare tool
Charge hose	Size adjustment gauge
Gas leak detector	Vacuum pump adapter
Torque wrench	Electronic refrigerant charging scale

- Be sure to use the correct tools. If dust, debris, or moisture enters the refrigerant lines, refrigeration oil deterioration may result.

# 2. Selecting the installation location

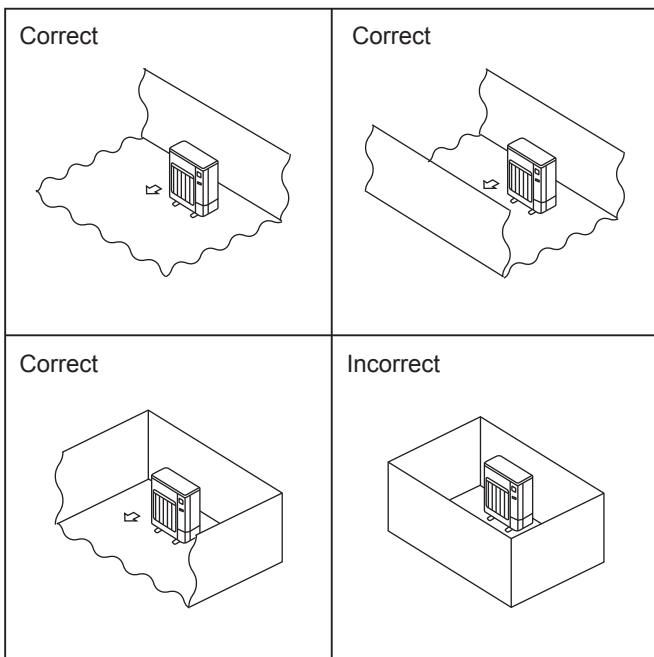


Fig. 2-1

## 2.1. Outdoor unit

- R32 is heavier than air—as well as other refrigerants—so tends to accumulate at the base (in the vicinity of the floor). If R32 accumulates around base, it may reach a flammable concentration in case room is small. To avoid ignition, maintaining a safe work environment is required by ensuring appropriate ventilation. If a refrigerant leak is confirmed in a room or an area where there is insufficient ventilation, refrain from using of flames until the work environment can be improved by ensuring appropriate ventilation.
- Where it is not exposed to strong wind.
- Where airflow is good and dustless.
- Where it is not causing the air short cycle.
- Where neighbours are not annoyed by operation sound or hot air.
- Where rigid wall or support is available to prevent the increase of operation sound or vibration.
- Where there is no risk of combustible gas leakage.
- When installing the unit at a high level, be sure to fix the unit legs.
- Where it is at least 3 m away from the antenna of TV set or radio. (Otherwise, images would be disturbed or noise would be generated.)
- Please install it in an area not affected by snowfall or blowing snow. In areas with heavy snow, please install a canopy, a pedestal and/or some baffle boards.
- Install the unit horizontally.
- Refrigerant pipes connection shall be accessible for maintenance purposes.
- Ⓞ Install outdoor units in a place where at least one of the four sides is open, and in a sufficiently large space without depressions. (Fig. 2-1)

### ⚠ CAUTION:

Avoid the following places for installation where air to water heat pump trouble is liable to occur.

- Where there is too much machine oil.
- Salty environment as seaside areas.
- Hot-spring areas.
- Where sulfide gas exists.
- Other special atmospheric areas.

The outdoor unit produces condensate during the heating operation. Select the installation place to ensure to prevent the outdoor unit and/or the grounds from being wet by drain water or damaged by frozen drain water.

## 2. Selecting the installation location

### 2.2. Minimum installation area

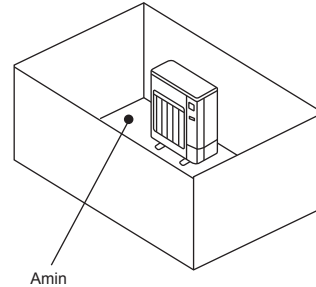
If you unavoidably install a unit in a space where all four sides are blocked or there are depressions, confirm that one of these situations (A, B or C) is satisfied.

**Note: These countermeasures are for keeping safety not for specification guarantee.**

A) Secure sufficient installation space (minimum installation area  $A_{min}$ ).

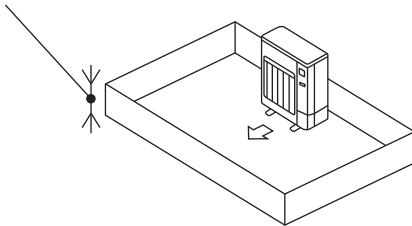
Install in a space with an installation area of  $A_{min}$  or more, corresponding to refrigerant quantity M (factory-charged refrigerant + locally added refrigerant).

M [kg]	$A_{min}$ [m <sup>2</sup> ]
1.0	12
1.5	17
2.0	23
2.5	28
3.0	34
3.5	39
4.0	45
4.5	50
5.0	56
5.5	62
6.0	67
6.5	73
7.0	78
7.5	84

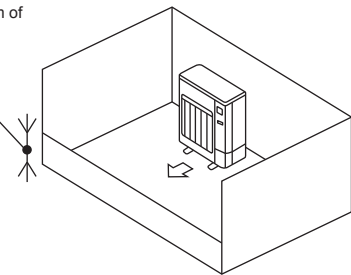


B) Install in a space with a depression height of  $\leq 0.125$  [m].

Height from the bottom of  
0.125 [m] or less



Height from the bottom of  
0.125 [m] or less

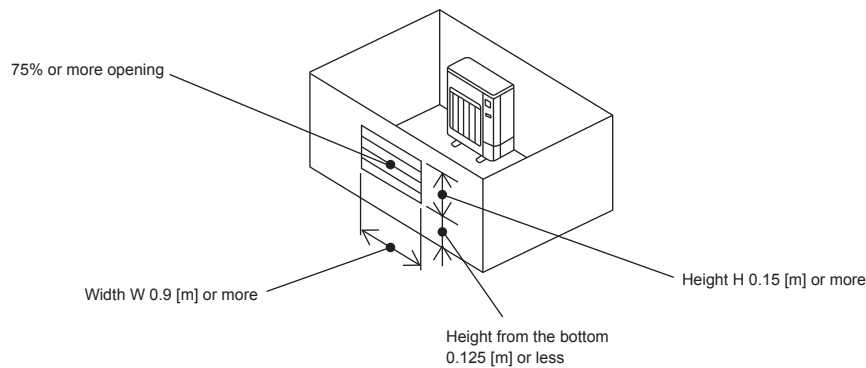


C) Create an appropriate ventilation open area.

Make sure that the width of the open area is 0.9 [m] or more and the height of the open area is 0.15 [m] or more.

However, the height from the bottom of the installation space to the bottom edge of the open area should be 0.125 [m] or less.

Open area should be 75% or more opening.



**Note: About the indoor unit, there are no installation restrictions due to the use of R32 refrigerant. Please refer to the indoor unit installation manual and check the required installation area.**

### 3. Installation diagram

#### 3.1. Outdoor unit (Fig. 3-1)

##### Ventilation and service space

- Ⓐ 100 mm or more
- Ⓑ 350 mm or more
- Ⓒ 500 mm or more

When the piping is to be attached to a wall containing metals (tin plated) or metal netting, use a chemically treated wooden piece 20 mm or thicker between the wall and the piping or wrap 7 to 8 turns of insulation vinyl tape around the piping.

Units should be installed by licensed contractor accordingly to local code requirement.

##### Note:

**When operating the air to water heat pump in low outside temperature, be sure to follow the instructions described below.**

- Never install the outdoor unit in a place where its air inlet/outlet side may be exposed directly to wind.
- To prevent exposure to wind, install the outdoor unit with its air inlet side facing the wall.
- To prevent exposure to wind, it is recommended to install a baffle board on the air outlet side of the outdoor unit.

- SUZ-SWM80VA2, SUZ-SWM80VAH2, SUZ-SWM100VA, SUZ-SWM100VAH, SUZ-SHWM60VAH

- SUZ-SWM30VA, SUZ-SWM40VA2, SUZ-SWM60VA2, SUZ-SHWM30VAH, SUZ-SHWM40VAH

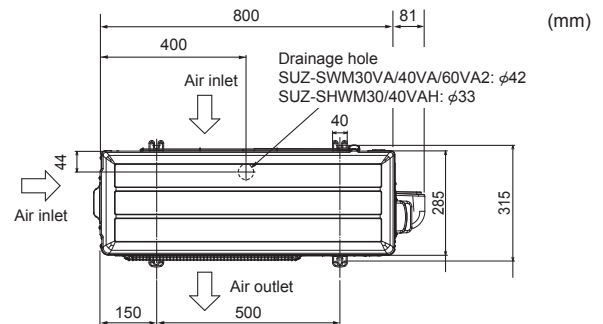
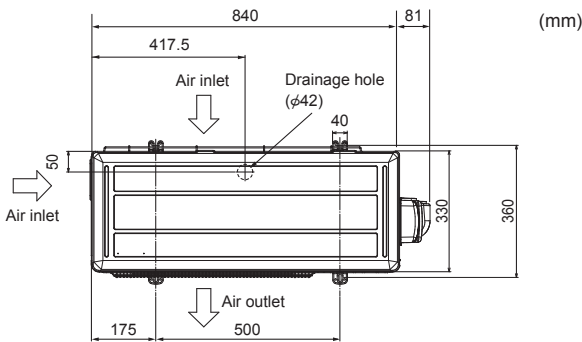
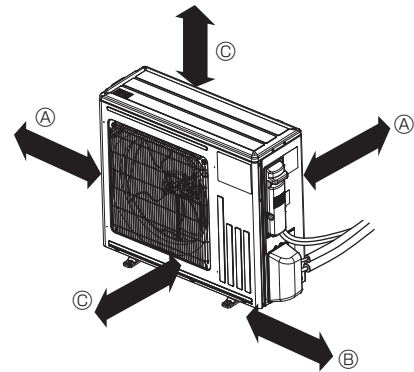
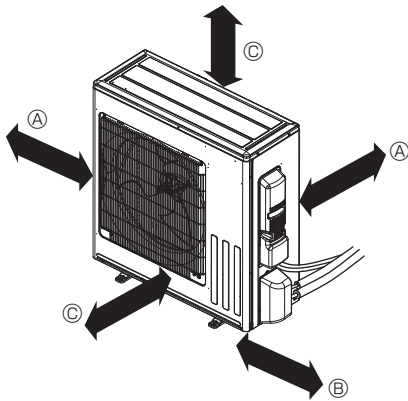


Fig. 3-1

### 4. Drain piping for outdoor unit (Fig. 4-1)

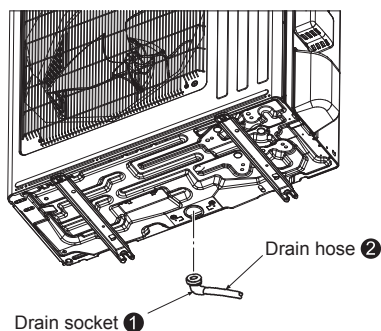


Fig. 4-1

#### 4.1. Accessories

Check the following parts before installation.

<Outdoor unit>

①	Drain socket	1
---	--------------	---

- Provide drain piping before indoor and outdoor piping connection. (It will be hard to install drain socket ① if indoor and outdoor piping connection is conducted prior to drain piping as outdoor unit becomes immovable.)
- Connect the drain hose ② (obtainable at a store, inside diameter: 15 mm) as shown in the figure for drainage.
- Make sure to provide drain piping with a downhill grade for easy drain flow.

##### Note:

**Do not use the drain socket ① in the cold region. Drain may freeze and it makes the fan stop.**

**Drain socket is not included in the SHWM series.**

## 5. Refrigerant piping work

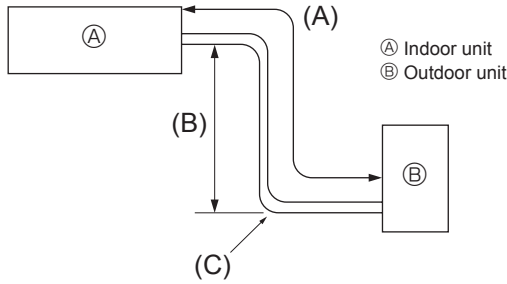


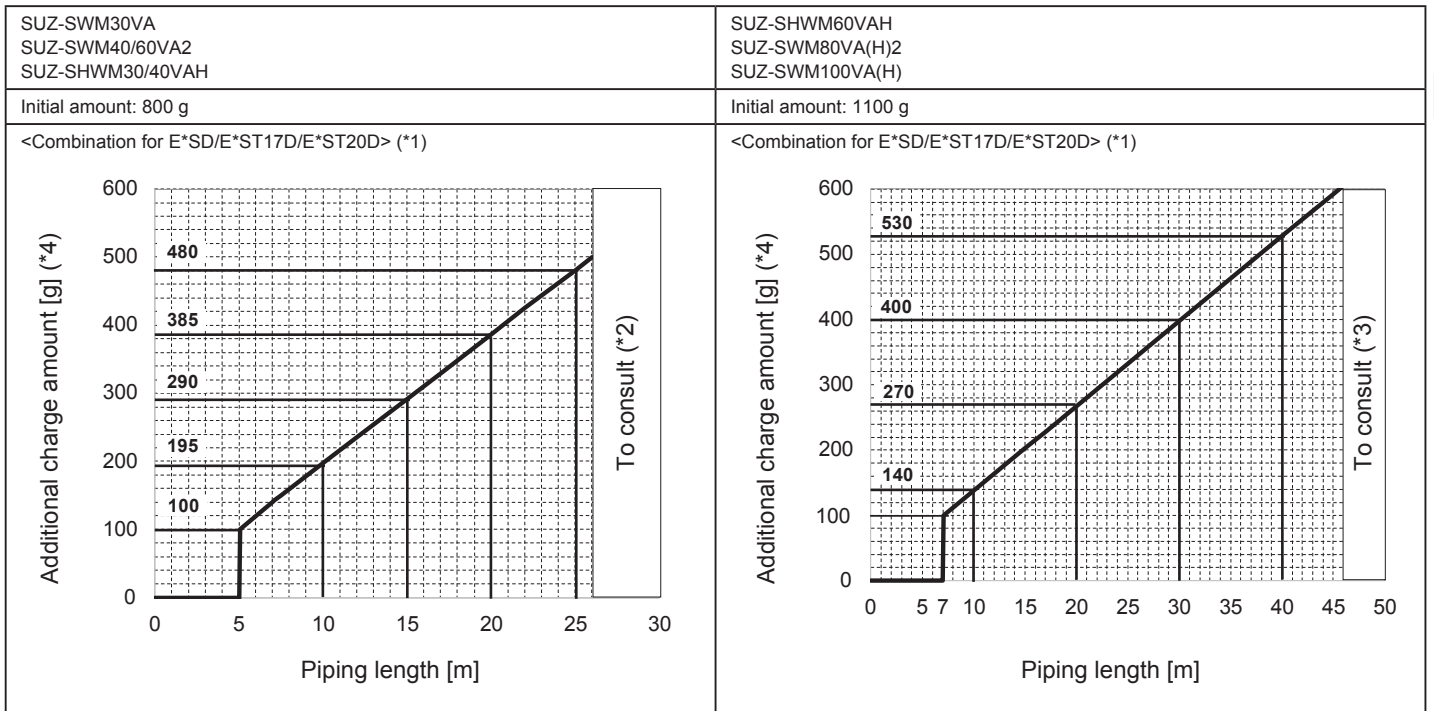
Fig. 5-1

### 5.1. Refrigerant pipe (Fig. 5-1)

► Check that the difference between the heights of the indoor and outdoor units, the length of refrigerant pipe, and the number of bends in the pipe are within the limits shown below.

Models	(A) Pipe length (one way)	(B) Height difference	(C) Number of bends (one way)
SUZ-SWM30VA	2 m - 26 m	Max. 26 m	Max. of 10
SUZ-SHWM30VAH			
SUZ-SWM40VA2			
SUZ-SHWM40VAH			
SUZ-SWM60VA2			
SUZ-SHWM60VAH	2 m - 46 m	Max. 30 m	
SUZ-SWM80VA(H)2			
SUZ-SWM100VA(H)			

• Height difference limitations are binding regardless of which unit, indoor or outdoor, is positioned higher.



\*1. In case of connecting to E\*ST30D, ALWAYS add 50 g on top of the additional charge according to the graphs.

\*2. For the piping length longer than 26 m, make sure to consult with our specialist.

\*3. For the piping length longer than 46 m, make sure to consult with our specialist.

\*4. In case of Full recharge ; Initial + Additional charge amount

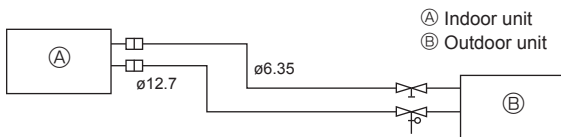


Fig. 5-2

(1) Table below shows the specifications of pipes commercially available. (Fig. 5-2)

Model	Pipe	Outside diameter		Min. wall thickness	Insulation thickness	Insulation material
		mm	inch			
All models	For liquid	6.35	1/4	0.8 mm	8 mm	Heat resisting foam plastic 0.045 specific gravity
	For gas	12.7	1/2	0.8 mm	8 mm	

(2) Ensure that the 2 refrigerant pipes are well insulated to prevent condensation.

(3) Refrigerant pipe bending radius must be 100 mm or more.

### ⚠ CAUTION:

Using careful insulation of specified thickness. Excessive thickness prevents storage behind the indoor unit and smaller thickness causes dew drippage.

- Be sure to have appropriate ventilation in order to prevent ignition. Furthermore, be sure to carry out fire prevention measures that there are no dangerous or flammable objects in the surrounding area.
- R32 maintenance refilling: Before servicing refilling the equipment with R32 to ensure that there is no risk of explosion from electrical sparks it must be ensured that the equipment machine is 100% disconnected from the mains supply.
- The insulation materials should be satisfied the following SPECS.

(1) Heat transfer rate: 0.040 W/mK or less

(2) Insulation thickness: 9 mm or more

(3) Heat resistance: 110 °C or more

If the piping length in the outside is over 15 m, the insulation thickness should be 18 mm or more.

## 5. Refrigerant piping work

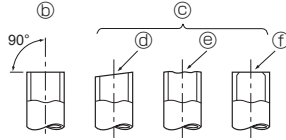
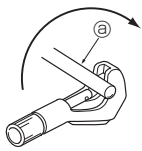


Fig. 5-3

- Ⓐ Copper tubes
- Ⓑ Good
- Ⓒ No good
- Ⓓ Tilted
- Ⓔ Uneven
- Ⓕ Burred

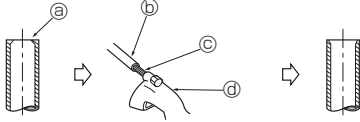


Fig. 5-4

- Ⓐ Burr
- Ⓑ Copper tube/pipe
- Ⓒ Spare reamer
- Ⓓ Pipe cutter

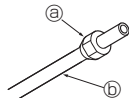


Fig. 5-5

- Ⓐ Flare nut
- Ⓑ Copper tube

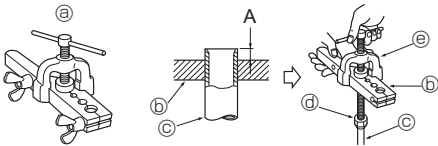


Fig. 5-6

- Ⓐ Flaring tool
- Ⓑ Die
- Ⓒ Copper tube
- Ⓓ Flare nut
- Ⓔ Yoke

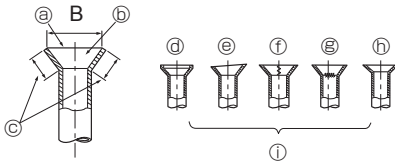


Fig. 5-7

### 5.2. Flaring work

- Main cause of gas leakage is defect in flaring work.
- Carry out correct flaring work in the following procedure.

#### 5.2.1. Pipe cutting (Fig. 5-3)

- Using a pipe cutter cut the copper tube correctly.

#### 5.2.2. Burrs removal (Fig. 5-4)

- Completely remove all burrs from the cut cross section of pipe/tube.
- Put the end of the copper tube/pipe to downward direction as you remove burrs in order to avoid burrs drop in the tubing.

#### 5.2.3. Putting nut on (Fig. 5-5)

- Remove flare nuts attached to indoor and outdoor unit, then put them on pipe/tube having completed burr removal.
- (not possible to put them on after flaring work)

#### 5.2.4. Flaring work (Fig. 5-6)

- Carry out flaring work using flaring tool as shown at the left.

Pipe diameter (mm)	Dimension	
	A (mm)	B <sup>+0</sup> <sub>-0.4</sub> (mm)
	When the tool for R32 is used Clutch type	
6.35	0 - 0.5	9.1
9.52	0 - 0.5	13.2
12.7	0 - 0.5	16.6
15.88	0 - 0.5	19.7

Firmly hold copper tube in a die in the dimension shown in the table at above.

#### 5.2.5. Check (Fig. 5-7)

- Compare the flared work with a figure in left side hand.
- If flare is noted to be defective, cut off the flared section and do flaring work again.

- Ⓐ Smooth all around
- Ⓑ Inside is shining without any scratches
- Ⓒ Even length all around
- Ⓓ Too much
- Ⓔ Tilted
- Ⓕ Scratch on flared plane
- Ⓖ Cracked
- Ⓗ Uneven
- Ⓘ Bad examples

- Apply a thin coat of refrigeration oil on the seat surface of pipe. (Fig. 5-8)
- For connection first align the center, then tighten the first 3 to 4 turns of flare nut.
- Use tightening torque table below as a guideline for indoor unit side union joint section, and tighten using two wrenches. Excessive tightening damages the flare section.

Copper pipe O.D. (mm)	Flare nut O.D. (mm)	Tightening torque (N·m)
ø6.35	17	14 - 18
ø9.52	22	34 - 42
ø12.7	26	49 - 61
ø15.88	29	68 - 82

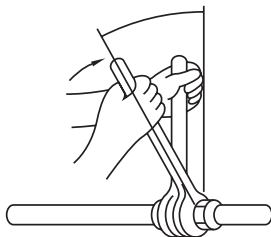


Fig. 5-8

### ! WARNING:

When installing the unit, securely connect the refrigerant pipes before starting the compressor.

### ! WARNING:

Be careful of flying flare nut! (Internally pressurized)

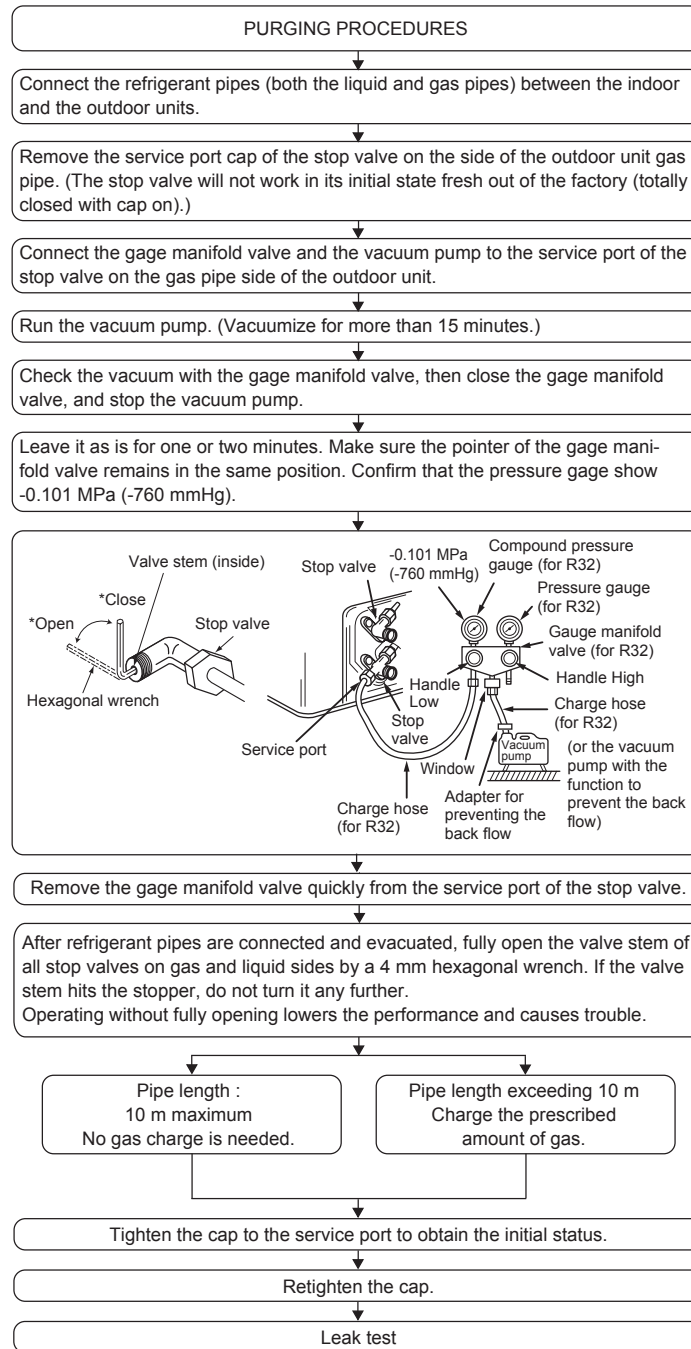
Remove the flare nut as follows:

1. Loosen the nut until you hear a hissing noise.
2. Do not remove the nut until the gas has been completely released (i.e., hissing noise stops).
3. Check that the gas has been completely released, and then remove the nut.



## 5. Refrigerant piping work

### 5.3. Purging procedures leak test

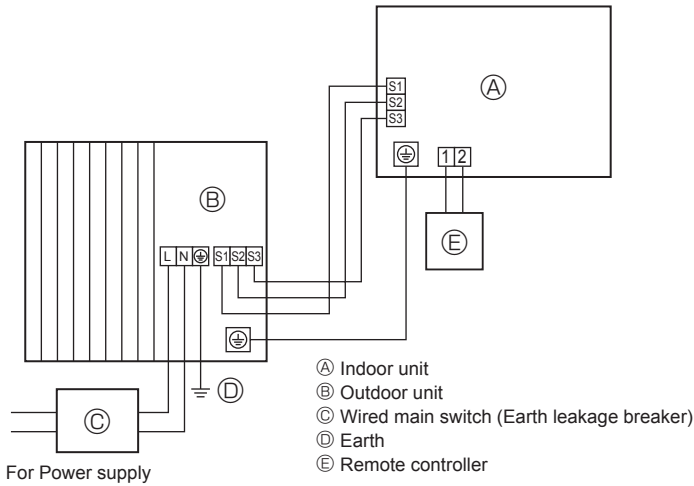


## 6. Electrical work

### 6.1. Outdoor unit (Fig. 6-1, Fig. 6-2, Fig. 6-3)

- ① Remove the service panel.
- ② Wire the cables referring to the Fig. 6-1, Fig. 6-2 and the Fig. 6-3.

#### ■ SUZ-SHWM60VAH, SUZ-SWM80VA(H)2, SUZ-SWM100VA(H)



#### ■ SUZ-SHWM30/40VAH, SUZ-SWM30VA, SUZ-SWM40/60VA2

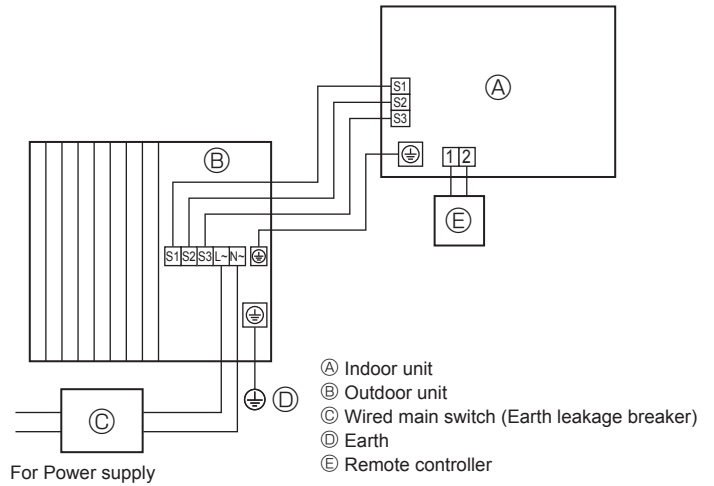


Fig. 6-1

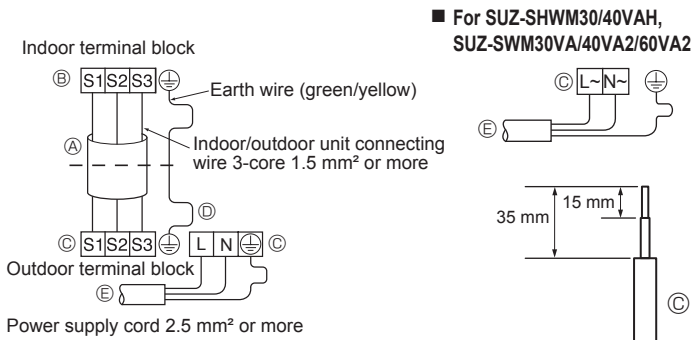
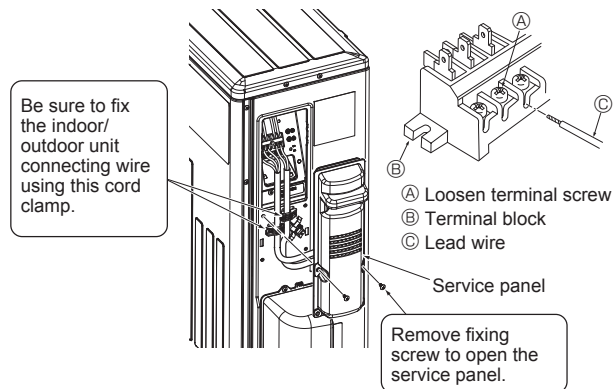


Fig. 6-2

#### ■ SUZ-SWM30VA, SUZ-SWM40VA2, SUZ-SWM60VA2, SUZ-SHWM30VAH, SUZ-SHWM40VAH



#### ■ SUZ-SWM80VA2, SUZ-SWM100VA, SUZ-SWM80VAH2, SUZ-SWM100VAH, SUZ-SHWM60VAH

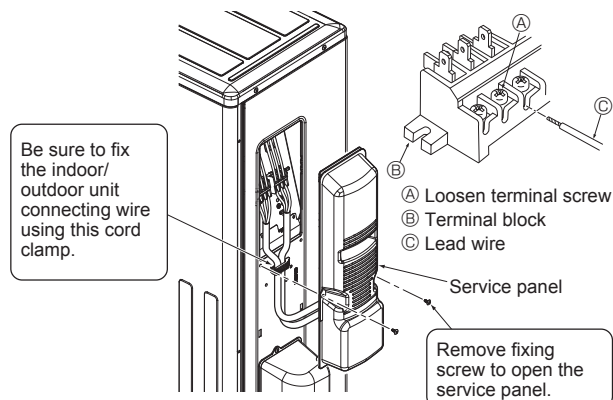


Fig. 6-3

- Perform wiring as shown in the diagram to the lower left. (Procure the cable locally) (Fig. 6-2)

Make sure to use cables of the correct polarity only.

- Ⓐ Connecting cable
- Ⓑ Indoor terminal block
- Ⓒ Outdoor terminal block
- Ⓓ Always install an earth wire longer than other cables.
- Ⓔ Power supply cord
- Ⓕ Lead wire

- Make earth wire a little longer than others. (More than 100 mm)
- For future servicing, give extra length to the connecting wires.
- Be sure to attach each screw to its correspondent terminal when securing the cord and/or the wire to the terminal block.

- Connect cable from the indoor unit correctly on the terminal-block.
- Use the same terminal block and polarity as is used with the indoor unit.
- For aftercare maintenance, give extra length to connecting cable.

- Both end of connecting cable (extension wire) are peeled off. When too long, or connected by cutting off the middle, peel off power supply cable to the size given in the figure.
- Be careful not to contact connecting cable with piping.

### ⚠ CAUTION:

- Use care not to make miswiring.
- Firmly tighten the terminal screws to prevent them from loosening.
- After tightening, pull the wires lightly to confirm that they do not move.

### ⚠ WARNING:

- Be sure to attach the service panel of the outdoor unit securely. If it is not attached correctly, it could result in a fire or an electric shock due to dust, water, etc.
- Tighten terminal screws securely.
- Wiring should be done so that the power lines are not subject to tension. Otherwise, heat may be generated or fire may occur.

## 6. Electrical work

### 6.2. Field electrical wiring

Outdoor unit model	SUZ-SHWM30VAH/40VAH SUZ-SWM30VA/40VA2/60VA2	SUZ-SHWM60VAH SUZ-SWM80VA(H)2/SWM100VA(H)
Outdoor unit power supply	~N (single), 50 Hz, 230 V	~/N (single), 50 Hz, 230 V
Outdoor unit input capacity Main switch (Breaker)	*1 16 A	20 A
Wiring Wire No. × size (mm <sup>2</sup> )	Outdoor unit power supply	2 × Min. 2.5
	Outdoor unit power supply earth	1 × Min. 2.5
	Indoor unit-Outdoor unit	3 × 1.5 (Polar)
	Indoor unit-Outdoor unit earth	1 × Min. 1.5
Circuit rating	Outdoor unit L-N	*2 230 VAC
	Indoor unit-Outdoor unit S1-S2	*2 230 VAC
	Indoor unit-Outdoor unit S2-S3	*2 12 VDC – 24 VDC

\*1. A breaker with at least 3 mm contact separation in each poles shall be provided. Use earth leakage breaker (NV).

Make sure that the current leakage breaker is one compatible with higher harmonics.

Always use a current leakage breaker that is compatible with higher harmonics as this unit is equipped with an inverter.

The use of an inadequate breaker can cause the incorrect operation of inverter.

\*2. The figures are NOT always against the ground.

S3 terminal has 24 VDC against S2 terminal. However between S3 and S1, these terminals are NOT electrically insulated by the transformer or other device.

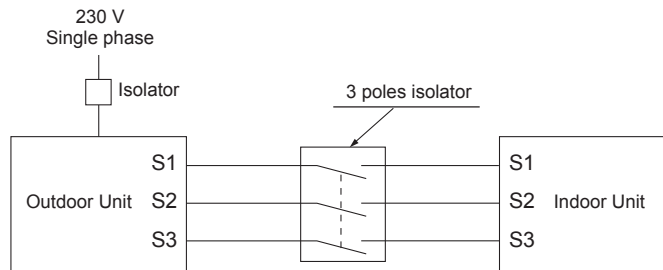
**Notes:** 1. Wiring size must comply with the applicable local and national code.

2. Power supply cords and Indoor/Outdoor unit connecting cords shall not be lighter than polychloroprene sheathed flexible cord. (Design 60245 IEC 57)

3. Install an earth longer than other cables.

4. Use self-extinguishing distribution cables for power supply wiring.

5. Properly route wiring so as not to contact the sheet metal edge or a screw tip.



### ⚠ WARNING:

There is high voltage potential on the S3 terminal caused by electrical circuit design that has no electrical insulation between power line and communication signal line. Therefore, please turn off the main power supply when servicing. And do not touch the S1, S2, S3 terminals when the power is energized. If isolator should be used between indoor unit and outdoor unit, please use 3-poles type.

Never splice the power cable or the indoor-outdoor connection cable, otherwise it may result in a smoke, a fire or communication failure.

Be sure to connect the indoor-outdoor connecting cables directly to the units (no intermediate connections).

Intermediate connections can lead to communication error if water enters the cables and causes insufficient insulation to ground or a poor electrical contact at the intermediate connection point.

## 7. Maintenance

### 7.1. Gas charge (Fig. 7-1)

1. Connect gas cylinder to the service port of stop valve (3-way).
2. Execute air purge of the pipe (or hose) coming from refrigerant gas cylinder.
3. Replenish specified amount of refrigerant, while running the air to water heat pump for cooling.

**Note:**

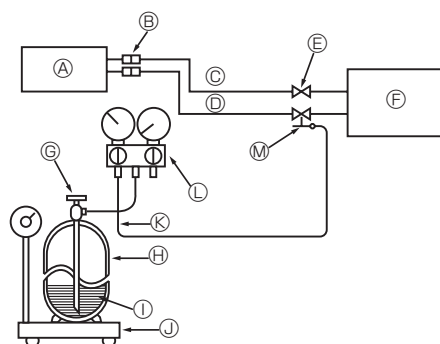
In case of adding refrigerant, comply with the quantity specified for the refrigerating cycle.

### ⚠ CAUTION:

- Do not discharge the refrigerant into the atmosphere. Take care not to discharge refrigerant into the atmosphere during installation, reinstallation, or repairs to the refrigerant circuit.
- For additional charging, charge the refrigerant from liquid phase of the gas cylinder.

If the refrigerant is charged from the gas phase, composition change may occur in the refrigerant inside the cylinder and the outdoor unit. In this case, ability of the refrigerating cycle decreases or normal operation can be impossible. However, charging the liquid refrigerant all at once may cause the compressor to be locked. Thus, charge the refrigerant slowly.

To maintain the high pressure of the gas cylinder, warm the gas cylinder with warm water (under 40°C) during cold season. But never use naked fire or steam.



- Ⓐ Indoor unit
- Ⓑ Union
- Ⓒ Liquid pipe
- Ⓓ Gas pipe
- Ⓔ Stop valve
- Ⓕ Outdoor unit
- Ⓖ Refrigerant gas cylinder operating valve
- Ⓖ Refrigerant gas cylinder for R32 with siphon
- Ⓙ Refrigerant (liquid)
- Ⓚ Electronic scale for refrigerant charging
- Ⓛ Charge hose (for R32)
- Ⓛ Gauge manifold valve (for R32)
- Ⓜ Service port

Fig. 7-1

## 8. Water piping work

### 8.1. Minimum water quantity

Refer to the indoor unit installation manual.

### 8.2. Available range (Water flow rate, return water temp.)

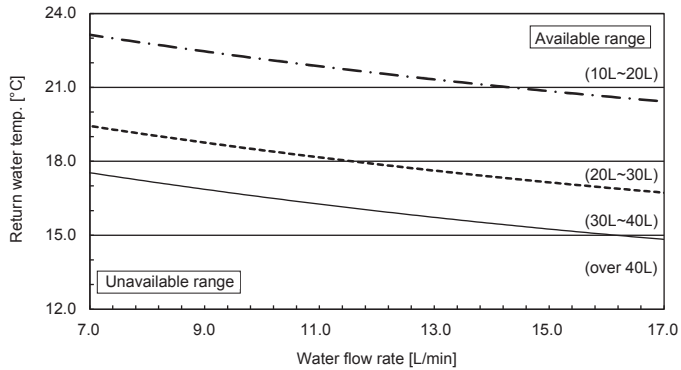
Ensure the following water flow rate and return temperature range in the water circuit.

These curves are related to the water quantity.

#### ■ Heating

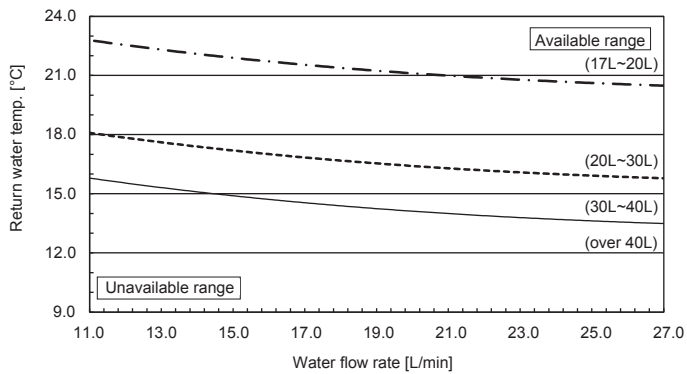
SUZ-SWM30VA SUZ-SHWM30VAH  
SUZ-SWM40VA2 SUZ-SHWM40VAH  
SUZ-SWM60VA2

Minimum return water temperature due to the water quantity of system



SUZ-SWM80VA(H)2  
SUZ-SWM100VA(H)  
SUZ-SHWM60VAH

Minimum return water temperature due to the water quantity of system



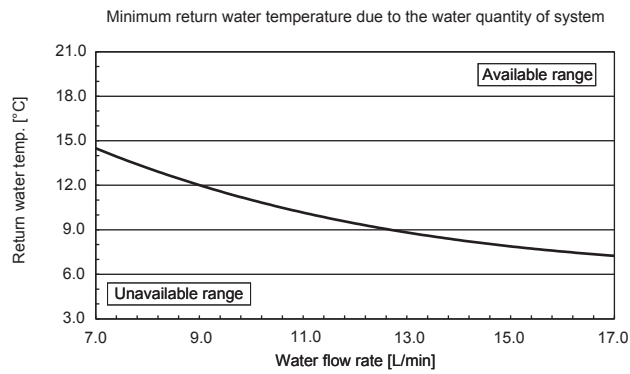
#### Note:

- Be sure to avoid the unavailable range during defrosting. Otherwise, the outdoor unit is insufficiently defrosted and/or the heat exchanger of the indoor unit may freeze.
- Flow temperature MUST always be NO lower than 32 °C when outdoor temperature drops below -15 °C. Potential risks of plate heat exchanger get frozen and damaged, and also outdoor heat exchanger would be frosted due to insufficient defrosting.

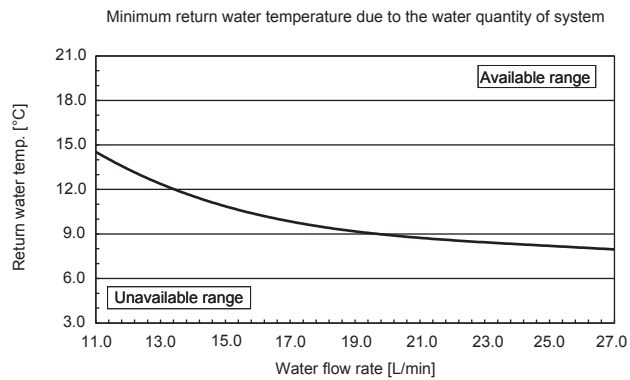
## 8. Water piping work

### ■ Cooling

SUZ-SWM30VA SUZ-SHWM30VAH  
SUZ-SWM40VA2 SUZ-SHWM40VAH  
SUZ-SWM60VA2



SUZ-SWM80VA(H)2  
SUZ-SWM100VA(H)  
SUZ-SHWM60VAH



**Note:**

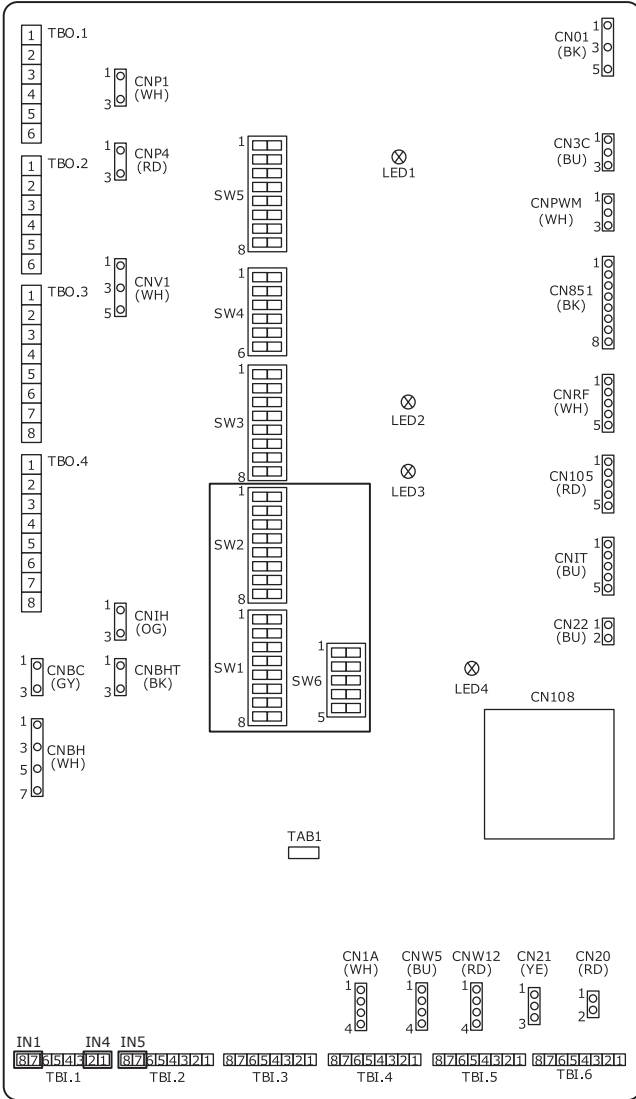
Be sure to avoid the unavailable range during defrosting.

Otherwise, the outdoor unit is insufficiently defrosted and/or the heat exchanger of the indoor unit may freeze.

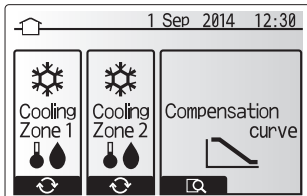
## 9. Pumping down

When relocating or disposing of the outdoor unit, pump down the system following the procedure below so that no refrigerant is released into the atmosphere.

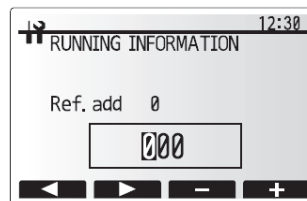
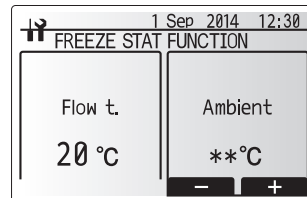
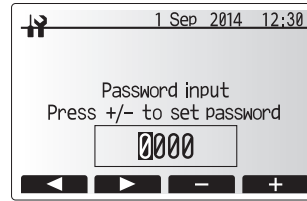
- ① Turn OFF all the supply circuit (including Indoor unit, Heater, Outdoor unit etc.)
- ② Connect the gauge manifold valve to the service port of the stop valve on the gas pipe side of the outdoor unit.
- ③ Fully close the stop valve on the liquid pipe side of the outdoor unit.
- ④ Change the settings on the indoor unit.
  - Set DIP switch SW1-3 to OFF, SW2-1 to OFF, SW2-4 to ON and SW6-3 to OFF on the indoor control board.
  - Disconnect the signal inputs IN1 (room thermostat 1 input), IN4 (Demand control input) and IN5 (Outdoor thermostat input).



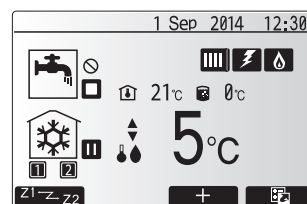
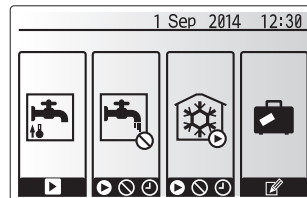
- ⑤ Turn ON all the supply circuit.
- ⑥ From the main menu on the main controller of the indoor unit, select "Heating/cooling mode" → "Cooling flow temp."



- ⑦ From the main menu, select "Service" and change the setting as below. You will be prompted to enter a password. THE FACTORY DEFAULT PASSWORD is "0000".
  - Select "Operation settings" → "Freeze stat function", and then set the minimum outdoor ambient temperature to \*(asterisk).
  - Select "Running information", and then set Reference address to 351.



- ⑧ Perform the refrigerant collecting operation.
  - Push "ON/OFF" button on the main controller.
  - From the option menu, set "Cooling ON".
  - Set the target flow temperature to 5 °C. If the system is controlled by a room temperature thermostat, set the target room temperature to 10 °C. Refrigerant collecting operation starts after 60 seconds.
  - For details or for other information about the main controller settings, refer to the installation manual or operation manual for indoor unit.



Continued on next page.

## 9. Pumping down

- ⑨ Fully close the stop valve on the gas pipe side of the outdoor unit when the pressure gauge shows 0.05 to 0 MPa [Gauge] (approx. 0.5 to 0 kgf/cm<sup>2</sup>) and quickly stop the outdoor unit.
  - Push the "ON/OFF" button on the remote controller to stop the outdoor unit.
  - \* Note that when the extension piping is very long with a large refrigerant amount, it may not be possible to perform a pump down operation. In this case, use refrigerant recovery equipment to collect all of the refrigerant in the system.
- ⑩ Set back the main controller setting changed at the procedure ⑨ above.
- ⑪ Push the "ON/OFF" button for about 3 seconds on the main controller of the indoor unit to stop the unit.
- ⑫ Set back the main controller settings changed at any other procedure except ⑨.
  - \* How to set back "Running information": Set Reference address to 350.
- ⑬ Turn OFF all the supply circuit and set back the DIP switch settings on the indoor circuit board as it were.
- ⑭ Remove the gauge manifold valve, and then disconnect the refrigerant pipes.



### WARNING:

When the refrigeration circuit has a leak, **DO NOT** execute pump down with the compressor.  
 When pumping down the refrigerant, stop the compressor before disconnecting the refrigerant pipes.

- If the refrigerant pipes are disconnected while the compressor is operating and the stop valve (ball valve) is open, the pressure in the refrigeration cycle could become extremely high if air is drawn in, causing the pipes to burst, personal injury, etc.



### CAUTION:

Do **NOT** use this **COOLING** mode when connecting to an indoor unit that does not allow **COOLING** mode for any purpose other than pumping down.

## 10. Specifications

Outdoor model		SUZ-SWM30VA	SUZ-SHWM30VAH	SUZ-SWM40VA2	SUZ-SHWM40VAH	SUZ-SWM60VA2
Power supply	V / Phase / Hz	230 / Single / 50				
Dimensions (W × H × D)	mm	800 × 714 × 285				
Sound Power Level (Heating)	*1 dB(A)	57	57	57	58	60
	*2 dB(A)	54	54	54	55	56

Outdoor model		SUZ-SHWM60VAH	SUZ-SWM80VA(H)2	SUZ-SWM100VA(H)
Power supply	V / Phase / Hz	230 / Single / 50		
Dimensions (W × H × D)	mm	840 × 880 × 330		
Sound Power Level (Heating)	*1 dB(A)	60	60	62
	*2 dB(A)	58	59	60

\*1. Measured under rated operation frequency at ambient 7°C DB/6°C WB and water out 55°C

\*2. Measured with accordance to EN12102 under conditions of the EN14825

## 11. Serial number

■ The serial number is indicated on the SPEC NAME PLATE.



Sequential number for each unit: 00001–99999

P (OUTDOOR UNIT)

Month of manufacture: 1, 2, 3, 4, 5, 6, 7, 8, 9, X (10), Y (11), Z (12)

Year of manufacture (western calendar) : 2022 → 22, 2023 → 23

EU DECLARATION OF CONFORMITY  
EU-KONFORMITÄTSEKTLÄRUNG  
DÉCLARATION DE CONFORMITÉ UE  
EU-CONFORMITEITSVERKLARING  
DECLARACIÓN DE CONFORMIDAD UE  
DICHIARAZIONE DI CONFORMITÀ UE  
ΔΗΛΩΣΗ ΣΥΜΜΟΡΦΩΣΗΣ ΕΕ  
DECLARAÇÃO DE CONFORMIDADE UE  
EU-OVERENSSTEMMELSESEKTLÆRING

EG-DEKLARATION OM ÖVERENSSTÄMMELSE  
AV UYGUNLUK BEYAN  
ДЕКЛАРАЦИЯ СООТВЕТСТВИЯ НОРМАМ ЕС  
ДЕКЛАРАЦІЯ ВІДПОВІДНОСТІ ВИМОГАМ ЄС  
ЕС ДЕКЛАРАЦІЯ ЗА СЪОТВЕТСТВИЕ  
DEKLARACJA ZGODNOŚCI UE  
EU-ERKLÆRING OM SAMSVAR  
EU-VAATIMUSTENMUKAISUUSVAKUUTUS  
EU PROHLÁŠENÍ O SHODĚ

EU VYHLÁŠENIE O ZHODE  
EU MEGFELELŐSÉGI NYILATKOZAT  
IZJAVA EU O SKLADNOSTI  
DECLARAȚIE DE CONFORMITATE UE  
EL-I VASTAVUSDEKLARATSIOON  
ES ATBILSTĪBAS DEKLARĀCIJA  
ES ATITIKTIES DEKLARĀCIJA  
EU IZJAVA O SUKLADNOSTI  
EU IZJAVA O USAGLAŠENOSTI

**MITSUBISHI ELECTRIC CONSUMER PRODUCTS (THAILAND) CO., LTD**  
**700/406 MOO 7, TAMBON DON HUA ROH, AMPHUR MUANG, CHONBURI 20000, THAILAND**

hereby declares under its sole responsibility that the air conditioner(s) and heat pump(s) for use in residential, commercial, and light-industrial environments described below:  
erklärt hiermit auf seine alleinige Verantwortung, dass die Klimaanlage(n) und Wärmepumpe(n) für das häusliche, kommerzielle und leichtindustrielle Umfeld wie unten beschrieben:  
déclare par la présente et sous sa propre responsabilité que le(s) climatiseur(s) et la/les pompe(s) à chaleur destinés à un usage dans des environnements résidentiels, commerciaux et d'industrie légère décrits ci-dessous :  
verklaart hierbij onder eigen verantwoordelijkheid dat de voor huishoudelijke, handels- en lichtindustriële omgevingen bestemde airconditioner(s) en warmtepomp(en) zoals onderstaand beschreven:

por la presente declara, bajo su exclusiva responsabilidad, que el(los) acondicionador(es) de aire y la(s) bomba(s) de calor previsto(s) para su uso en entornos residenciales, comerciales y de industria ligera que se describen a continuación:

conferma con la presente, sotto la sua esclusiva responsabilità, che i condizionatori d'aria e le pompe di calore destinati all'utilizzo in ambienti residenziali, commerciali e semi-industriali e descritti di seguito:

με το παρόν δηλώνει με αποκλειστική ευθύνη ότι το ή τα κλιματιστικά και η ή οι αντλίες θερμότητας για χρήση σε οικιακά, εμπορικά και επαγγελματικά περιβάλλοντα που περιγράφονται παρακάτω:

declara pela presente, e sob sua exclusiva responsabilidade, que o(s) aparelho(s) de ar condicionado e a(s) bomba(s) de calor destinados a utilização em ambientes residenciais, comerciais e de indústria ligeira descritos em seguida:

erklærer hermed under eneansvar, at det/de herunder beskrevne airconditionanlæg og varmepumpe(r) til brug i beboelses- og erhvervsmiljøer samt i miljøer med let industri:

intyggar härmed att luftkonditioneringarna och värmepumparna som beskrivs nedan för användning i bostäder, kommersiella miljöer och lätta industriella miljöer:

ev, ticaret ve hafif sanayi ortamlarında kullanıma yönelik aşağıda açıklanan klima ve ısıtma pompalarıyla ilgili aşağıdaki hususları yalnızca kendi sorumluluğunda olmak üzere beyan eder:

настоящим заявляет под свою исключительную ответственность, что кондиционер (-ы) и тепловой (-ые) насос (-ы) для использования в описанных ниже жилых, коммерческих и небольших складских и промышленных помещениях:

цим заявляю, беручи на себе повну відповідальність за це, що кондиціонер (-и) й тепловий (-и) насос (-и), описані нижче й призначені для використання в житлових приміщеннях, торговельних залах і на підприємствах легкої промисловості:

декларира с настоящата на своя собствена отговорност, че климатикъ(т)е и термомпата(ите), посочени по-долу и предназначени за употреба в жилищни, търговски и лекопромишлени среди:

niniejszym oświadczam na swoją wyłączną odpowiedzialność, że klimatyzatory i pompy ciepła do zastosowań w środowisku mieszkalnym, handlowym i lekko przemysłowym opisane poniżej:

erklærer et fullstendig ansvar for undernevnte klimaapparat og varmepumper ved bruk i boliger, samt kommersielle og lettindustrielle miljøer:

vakuuttaa täten yksinomaista vastuullaan, että jäljempänä kuvutat asuinrakennuksiin, pienteeollisuuskäyttöön ja kaupalliseen käyttöön tarkoitettuihin ilmastointilaitteisiin ja lämpöpumput:

tímto na vlastní odpovědnost prohlašuje, že níže popsané klimatizační jednotky a tepelná čerpadla pro použití v obytných prostředích, komerčních prostředích a prostředích lehkého průmyslu:

týmto na svoju výlučnú zodpovednosť vyhlasuje, že nasledovné klimatizačné jednotky a tepelné čerpadlá určené na používanie v obytných a obchodných priestoroch a v prostredí ľahkého priemyslu:

alulírott kizárólagos felelősségére nyilatkozik, hogy az alábbi lakossági, kereskedelmi és kisipari környezetben való használatra szánt klímaberendezés(ek) és hőszivattyú(k):

na lastno odgovornost izjavlja, da so spodaj opisane klimatske naprave in toplotne črpalke, namenjene za uporabo v stanovanjskih, poslovnih in lahkoindustrijskih okoljih:

declară prin prezenta, pe proprie răspundere, faptul că aparatele de climatizare și pompele de căldură descrise mai jos și destinate utilizării în medii rezidențiale, comerciale și din industria ușoară:

kinnitab oma ainuvastutusest, et allpool toodud elu-, äri- ja kergtööstuskeskkondades kasutamiseks mõeldud kliimaseadmed ja soojuspumbad:

ar šo, vienpersoniski uzņemoties atbildību, paziņo, ka tālāk aprakstītais(-tie) gaisa kondicionētājs(-i) un siltumsūkņis(-i) ir paredzēti lietošanai dzīvojamajās, komercdarbības un vieglās rūpniecības telpās, kas aprakstītas tālāk:

šiuo vien tik savo atsakomybe pareiškia, kad toliau apibūdintas (-i) oro kondicionierius (-iai) ir šilumos siurblys (-iai), skirtas (-i) naudoti toliau apibūdintose gyvenamosiose, komercinėse ir lengvosios pramonės aplinkose:

ovime izjavljuje pod isključivom odgovornošću da je/su klimatizacijski uređaji(i) i toplinska dizalica(e) opisan(i) u nastavku namijenjen(i) za upotrebu u stambenim i poslovnim okruženjima te okruženjima lake industrije:

ovim izjavljuje na svoju isključivu odgovornost da su klima-uređaji i toplotne pumpe za upotrebu u stambenim, komercijalnim okruženjima i okruženjima lake industrije opisani u nastavku:

**MITSUBISHI ELECTRIC, SUZ-SWM30VA\*, SUZ-SWM40VA\*, SUZ-SWM60VA\*, SUZ-SWM80VA\*, SUZ-SWM100VA\***  
**SUZ-SHWM30VAH\*, SUZ-SHWM40VAH\*, SUZ-SHWM60VAH\*, SUZ-SWM80VAH\*, SUZ-SWM100VAH\***  
**\* : , , 1, 2, 3, , , , 9**

is/are in conformity with provisions of the following Union harmonisation legislation.  
die Bestimmungen der folgenden Harmonisierungsrechtsvorschriften der Union erfüllen/

erfüllen.  
est/sont conforme(s) aux dispositions de la législation d'harmonisation de l'Union

suivante.  
voldoet/voldoen aan bepalingen van de volgende harmonisatiewetgeving van de Unie.

cumple(n) con las disposiciones de la siguiente legislación de armonización de la Unión.

sono in conformità con le disposizioni della seguente normativa dell'Unione sull'armonizzazione.

συμμορφώνονται με τις διατάξεις της ακόλουθης νομοθεσίας εναρμόνισης της Ένωσης.

está/estão em conformidade com as disposições da seguinte legislação de harmonização da União.

er i overensstemmelse med bestemmelse i følgende harmoniserede EU-lovgivning.

uppfyller villkoren i följande harmoniserade föreskrifter inom unionen.

აşağıdaki Avrupa Birliği uyumlaştırma mevzuatının hükümlerine uygundur.

соответствуют положениям следующих законодательных актов Союза о гармонизации.

2014/35/EU: Low Voltage Directive  
2006/42/EC: Machinery Directive  
2014/30/EU: Electromagnetic Compatibility Directive  
2011/65/EU, (EU) 2015/863 and (EU) 2017/2102: RoHS Directive  
2009/125/EC: Energy-related Products Directive and Regulation (EU) No 813/2013

відповідають положенням вказаного далі законодавства Союзу щодо гармонізації.  
е/са в съответствие с разпоредбите на следното законодателство на Съюза за

хармонизация.  
są zgodne z przepisami następującego unijnego prawodawstwa harmonizacyjnego.

er i samsvar med forskriftene til følgende EU-lovgivning om harmonisering.

ovat seuraavan unionin yhdenmukaistamislainsäädännön säännösten mukaisia.

jsou v souladu s ustanoveními následujících harmonizačních právních předpisů Unie.

spĺňajú ustanovenia nasledujúcich harmonizovaných noriem EÚ.

megfelel(nek) az Unió alábbi harmonizációs jogszabályi előírásainak.

in skladu z določbami naslednje usklajevalne zakonodaje Unije.

sunt în conformitate cu dispozițiile următoare legislații de armonizare a Uniunii.

vastavad järgmiste Euroopa Liidu ühtlustatud õigusaktide sätetele.

atbilst šādiem ES harmonizētājiem tiesību aktu noteikumiem.

taip pat atitinka kitų toliau išvardytų suderintųjų Sąjungos direktyvų nuostatas.

sukladan(i) odredbama sljedećeg zakonodavstva Unije za sukladnost.

u skladu sa odredbama sledećeg usklađivanja zakonodavstva Unije.



UK DECLARATION OF CONFORMITY

**mitsubishi electric consumer products (thailand) co., ltd**  
**700/406 MOO 7, TAMBON DON HUA ROH, AMPHUR MUANG, CHONBURI 20000, THAILAND**

hereby declares under its sole responsibility that the air conditioner(s) and heat pump(s) for use in residential, commercial, and light-industrial environments described below:

**MITSUBISHI ELECTRIC, SUZ-SWM30VA\*, SUZ-SWM40VA\*, SUZ-SWM60VA\*, SUZ-SWM80VA\*, SUZ-SWM100VA\***  
\* : , , 1, 2, 3, . . . , 9

is/are in conformity with provisions of the following UK legislation

**The Electrical Equipment (Safety) Regulations 2016**  
**The Supply of Machinery (Safety) Regulations 2008**  
**The Electromagnetic Compatibility Regulations 2016**  
**The Restriction of the Use of Certain Hazardous Substances in Electrical and Electronic Equipment Regulations 2012**  
**The Ecodesign for Energy-Related Products and Energy Information (Amendment) (EU Exit) Regulations 2019**

**Issued:**  
**THAILAND**

**1 Apr. 2022**

**Tadashi SAITO**  
**Manager, Quality Assurance Department**

---

## <ENGLISH>

English is original. The other languages versions are translation of the original.

### ▲ CAUTION

- Refrigerant leakage may cause suffocation. Provide ventilation in accordance with EN378-1.
- Be sure to wrap insulation around the piping. Direct contact with the bare piping may result in burns or frostbite.
- Never put batteries in your mouth for any reason to avoid accidental ingestion.
- Battery ingestion may cause choking and/or poisoning.
- Install the unit on a rigid structure to prevent excessive operation sound or vibration.
- The A-weighted sound pressure level is below 70dB.
- This appliance is intended to be used by expert or trained users in shops, in light industry and on farms, or for commercial use by lay persons.

## <DEUTSCH>

Das Original ist in Englisch. Die anderen Sprachversionen sind vom Original übersetzt.

### ▲ VORSICHT

- Wenn Kältemittel austritt, kann dies zu Ersticken führen. Sorgen Sie in Übereinstimmung mit EN378-1 für Durchlüftung.
- Die Leitungen müssen isoliert werden. Direkter Kontakt mit nicht isolierten Leitungen kann zu Verbrennungen oder Erfrierungen führen.
- Nehmen Sie niemals Batterien in den Mund, um ein versehentliches Verschlucken zu vermeiden.
- Durch das Verschlucken von Batterien kann es zu Erstickungen und/oder Vergiftungen kommen.
- Installieren Sie das Gerät auf einem stabilen Untergrund, um übermäßige Betriebsgeräusche oder -schwingungen zu vermeiden.
- Der A-gewichtete Schalldruckpegel ist niedriger als 70dB.
- Dieses Gerät ist vorgesehen für die Nutzung durch Fachleute oder geschultes Personal in Werkstätten, in der Leichtindustrie und in landwirtschaftlichen Betrieben oder für die kommerzielle Nutzung durch Laien.

## <FRANÇAIS>

L'anglais est l'original. Les versions fournies dans d'autres langues sont des traductions de l'original.

### ▲ PRECAUTION

- Une fuite de réfrigérant peut entraîner une asphyxie. Fournissez une ventilation adéquate en accord avec la norme EN378-1.
- Assurez-vous que la tuyauterie est enveloppée d'isolant. Un contact direct avec la tuyauterie nue peut entraîner des brûlures ou des engelures.
- Ne mettez jamais des piles dans la bouche pour quelque raison que ce soit pour éviter de les avaler par accident.
- Le fait d'ingérer des piles peut entraîner un étouffement et/ou un empoisonnement.
- Installez l'appareil sur une structure rigide pour prévenir un bruit de fonctionnement et une vibration excessifs.
- Le niveau de pression acoustique pondéré est en dessous de 70 dB.
- Cet appareil est conçu pour un utilisateur expert ou les utilisateurs formés en magasin, dans l'industrie légère et dans l'agriculture ou dans le commerce par le profane.

## <NEDERLANDS>

Het Engels is het origineel. De andere taalversies zijn vertalingen van het origineel.

### ▲ VOORZICHTIG

- Het lekken van koelvoelstof kan verstikking veroorzaken. Zorg voor ventilatie in overeenstemming met EN378-1.
- Isoleer de leidingen met isolatiemateriaal. Direct contact met de onbedekte leidingen kan leiden tot brandwonden of bevriezing.
- Stop nooit batterijen in uw mond om inslikking te voorkomen.
- Het inslikken van batterijen kan verstikking of vergiftiging veroorzaken.
- Installeer het apparaat op een stabiele structuur om overmatig lawaai of trillingen te voorkomen.
- Het niveau van de geluidsdruk ligt onder 70 dB(A).
- Dit apparaat is bedoeld voor gebruik door ervaren of opgeleide gebruikers in werkplaatsen, in de lichte industrie en op boerderijen, of voor commercieel gebruik door leken.

## <ESPAÑOL>

El idioma original del documento es el inglés. Las versiones en los demás idiomas son traducciones del original.

### ▲ CUIDADO

- Las pérdidas de refrigerante pueden causar asfixia. Se debe proporcionar la ventilación determinada en EN378-1.
- Asegúrese de colocar el aislante alrededor de las tuberías. El contacto directo con la tubería puede ocasionar quemaduras o congelación.
- Para evitar una ingestión accidental, no coloque las pilas en su boca bajo ningún concepto.
- La ingestión de las pilas puede causar asfixia y/o envenenamiento.
- Coloque la unidad en una estructura rígida para evitar que se produzcan sonidos o vibraciones excesivos debidos a su funcionamiento.
- El nivel de presión acústica ponderado A es inferior a 70 dB.
- Este aparato está destinado a su uso por parte de usuarios expertos o capacitados en talleres, industrias ligeras y granjas, o a su uso comercial por parte de personas no expertas.

## <ITALIANO>

Il testo originale è redatto in lingua Inglese. Le altre versioni linguistiche rappresentano traduzioni dell'originale.

### ▲ ATTENZIONE

- Le perdite di refrigerante possono causare asfissia. Prevedere una ventilazione adeguata in conformità con la norma EN378-1.
- Accertarsi di applicare materiale isolante intorno alle tubature. Il contatto diretto con le tubature non schermate può provocare ustioni o congelamento.
- Non introdurre in nessun caso le batterie in bocca onde evitare ingestioni accidentali.
- L'ingestione delle batterie può provocare soffocamento e/o avvelenamento.
- Installare l'unità su una struttura rigida in modo da evitare rumore o vibrazioni eccessivi durante il funzionamento.
- Il livello di pressione del suono ponderato A è inferiore a 70dB.
- Questa apparecchiatura è destinata all'utilizzo da parte di utenti esperti o addestrati in negozi, industria leggera o fattorie oppure a un uso commerciale da parte di persone non esperte.

## <ΕΛΛΗΝΙΚΑ>

Η γλώσσα του πρωτοτύπου είναι η αγγλική. Οι εκδόσεις άλλων γλωσσών είναι μεταφράσεις του πρωτοτύπου.

### ▲ ΠΡΟΣΟΧΗ

- Η διαρροή του ψυκτικού ενδέχεται να προκαλέσει ασφυξία. Φροντίστε για τον εξαερισμό σύμφωνα με το πρότυπο EN378-1.
- Φροντίστε να τυλίξετε με μονωτικό υλικό τη σωλήνωση. Η απευθείας επαφή με τη γυμνή σωλήνωση ενδέχεται να προκαλέσει εγκαύματα ή κρυοπαγήματα.
- Μη βάζετε ποτέ τις μπαταρίες στο στόμα σας για κανένα λόγο ώστε να αποφύγετε την κατά λάθος κατάποσή τους.
- Η κατάποση μπαταριών μπορεί να προκαλέσει πνιγμό ή/και δηλητηρίαση.
- Εγκαταστήστε τη μονάδα σε σταθερή κατασκευή ώστε να αποφύγετε τον έντονο ήχο λειτουργίας ή τους κραδασμούς.
- Η Α-σταθμισμένη στάθμη ηχητικής πίεσης είναι κάτω των 70dB.
- Η Α-σταθμισμένη στάθμη ηχητικής πίεσης είναι κάτω των 70dB.
- Η συσκευή αυτή προορίζεται για χρήση από εμπειρογούς ή εκπαιδευμένους χρήστες σε καταστήματα, στην ελαφριά βιομηχανία και σε αγροκτήματα, ή για εμπορική χρήση από άτομα τα οποία δεν είναι ειδήμονες.

## <PORTUGUÊS>

O idioma original é o inglês. As versões em outros idiomas são traduções do idioma original.

### ▲ CUIDADO

- A fuga de refrigerante pode causar asfixia. Garanta a ventilação em conformidade com a norma EN378-1.
- Certifique-se de que envolve as tubagens com material de isolamento. O contacto directo com tubagens não isoladas pode resultar em queimaduras ou ulcerações provocadas pelo frio.
- Nunca coloque pilhas na boca, por nenhum motivo, para evitar a ingestão accidental.
- A ingestão de uma pilha pode causar obstrução das vias respiratórias e/ou envenenamento.
- Instale a unidade numa estrutura robusta, de forma a evitar ruídos ou vibrações excessivos durante o funcionamento.
- O nível de pressão sonora ponderado A é inferior a 70 dB.
- Este equipamento destina-se a ser utilizado por especialistas ou utilizadores com formação em lojas, na indústria ligeira e em quintas, ou para utilização comercial por leigos.

## <DANSK>

Engels er originalen. De andre sprogversioner er oversættelser af originalen.

### ▲ FORSIGTIG

- Lækage af kølemiddel kan forårsage kvælning. Sørg for udluftning i overensstemmelse med EN378-1.
- Sørg for at pakke rørene ind i isolering. Direkte kontakt med ubeklædte rør kan forårsage forbrændinger eller forfrysninger.
- Batterier må under ingen omstændigheder tages i munden for at forhindre utilsigtet indtagelse.
- Indtagelse af batterier kan forårsage kvælning og/eller forgiftning.
- Installer enheden på en fast struktur for at forhindre for høje driftslyde eller vibrationer.
- Det A-vægtede lydtrykniveau er under 70dB.
- Dette apparat er beregnet til at blive brugt af eksperter eller udlærte brugere i butikker, inden for let industri og på gårde eller til kommerciel anvendelse af lægmænd.

## <SVENSKA>

Engelska är originalspråket. De övriga språkversionerna är översättningar av originalet.

### ▲ FÖRSIKTIGHET

- Köldmedelsläckage kan leda till kvävning. Tillhandahåll ventilation i enlighet med EN378-1.
- Kom ihåg att linda isolering runt rören. Direktkontakt med bara rör kan leda till brännskador eller köldskador.
- Stoppa aldrig batterier i munnen, de kan sväljas av misstag.
- Om ett batteri sväljs kan det leda till kvävning och/eller förgiftning.
- Montera enheten på ett stadigt underlag för att förhindra höga driftljud och vibrationer.
- Den A-vägdade ljudtrycksnivån är under 70dB.
- Denna apparat är ämnad för användning av experter eller utbildade användare i affärer, inom lätt industri och på lanbruk, eller för kommersiell användning av lekmän.

## <TÜRKÇE>

Aslı İngilizce'dir. Diğer dillerdeki sürümler aslının çevirisidir.

### ▲ DİKKAT

- Soğutucu kaçağı boğulmaya neden olabilir. EN378-1 uyarınca uygun havalandırma sağlayın.
- Borular etrafına yalıtım yapıldığından emin olun. Borulara doğrudan çıplak elle dokunulması yanıklara veya soğuk ısırıklarına neden olabilir.
- Kazara yutmamak için, pilleri kesinlikle hiçbir amaçla ağzınızda tutmayın.
- Pillerin yutulması boğulmaya ve/veya zehirlenmeye yol açabilir.
- Aşırı çalıma seslerini veya titreşimi önlemek için, üniteyi sağlam bir yapı üzerine monte edin.
- A ağırıklı ses gücü seviyesi 70dB'nin altındadır.
- Bu cihaz tölöyelerde, hafif endüstriyel tesislerde ve çiftliklerde uzman veya eğitimli kullanıcılar tarafından kullanılmak üzere veya normal kullanıcılar tarafından ticari kullanım için tasarlanmıştır.

## <РУССКИЙ>

Языком оригинала является английский. Версии на других языках являются переводом оригинала.

### ▲ ОСТОРОЖНО

- Утечка хладагента может стать причиной удушья. Обеспечьте вентиляцию в соответствии с EN378-1.
- Обязательно оберните трубы изоляционным материалом. Непосредственный контакт с неизолированным трубопроводом может привести к ожогам или обморожению.
- Запрещается класть элементы питания в рот по каким бы то ни было причинам во избежание случайного проглатывания.
- Попадание элемента питания в пищеварительную систему может стать причиной удушья и/или отравления.
- Устанавливайте устройство на жесткую структуру во избежание чрезмерного шума или чрезмерной вибрации во время работы.
- Уровень звукового давления по шкале A не превышает 70 дБ.
- Данное устройство предназначено для использования специалистами или обученным персоналом в магазинах, на предприятиях легкой промышленности и фермах или для коммерческого применения неспециалистами.

## <УКРАЇНСЬКА>

Переклад оригіналу. Текст іншими мовами є перекладом оригіналу.

### ▲ ОБЕРЕЖНО

- Виток холодоагенту може призвести до удушся. Необхідно забезпечити вентиляцію відповідно до стандарту EN 378-1.
- Труби необхідно обмотати ізоляційним матеріалом. Прямий контакт із непокритою трубою може призвести до опіку або обмороження.
- Забороняється класти елементи живлення в рот із будь-яких причин, оскільки є ризик випадково їх проковтнути.
- Попадання елемента живлення в травну систему може стати причиною задхуки та/або отруєння.
- Встановлюйте блок на міцній конструкції, щоб уникнути надмірного рівня звуку роботи або вібрації.
- Рівень амплітудно зваженого акустичного тиску становить нижче 70 дБ.
- Цей прилад призначається для використання спеціалістами або особами, що пройшли відповідне навчання, у кранницях, легкій промисловості та сільськогосподарських підприємствах, а також для комерційного використання неспеціалістами.

## <БЪЛГАРСКИ>

Оригиналът е текстът на английски език. Версиите на други езици са преводи на оригинала.

### ▲ ВНИМАНИЕ

- Изтичането на хладилен агент може да причини задушаване. Осигурете вентилация съобразно с EN378-1.
- Не забравяйте да уветите изолация около тръбите. Директният контакт с оголени тръби може да причини изгаряне или измръзване.
- При никакви обстоятелства не поставяйте батериите в устата си, за да не ги поглънете по невнимание.
- Това може да доведе до задушаване и/или натравяне.
- Монтирайте тялото върху твърда конструкция, за да предотвратите прекомерен шум или вибрации по време на работа.
- А-претегленото ниво на звуково налягане е под 70 dB.
- Този уред е предназначен за използване от експерти или обучени потребители в магазини, в леката промисленост и във ферми, или за търговска употреба от неспециалисти.

## <POLSKI>

Językiem oryginalu jest język angielski. Inne wersje językowe stanowią tłumaczenie oryginału.

### ▲ UWAGA

- Wyciek czynnika chłodniczego może spowodować uduszenie. Należy zapewnić wentylację zgodnie z normą EN378-1.
- Należy pamiętać, aby owinąć izolację wokół przewodów rurowych. Bezpośredni kontakt z niezabezpieczonymi przewodami rurowymi może doprowadzić do poparzeń lub odmrożeń.
- Nie wolno wkładać baterii do ust z jakiegokolwiek powodu, aby uniknąć przypadkowego poknięcia.
- Poknięcie baterii może spowodować zadławienie i/lub zatrucie.
- Zainstalować urządzenie na sztywnej konstrukcji, aby zapobiec nadmieremu hałasowi i wibracjom.
- Poziom dźwięku A nie przekracza 70 dB.
- W sklepach, w przemyśle lekkim i w gospodarstwach rolnych urządzenie powinni obsługiwać profesjonalni lub przeszkoleni użytkownicy, a w środowisku handlowym mogą to być osoby nieposiadające fachowej wiedzy.

## <NORSK>

Originalspråket er engelsk. De andre språkversjonene er oversettelser av originalen.

### ▲ FORSIKTIG

- Kjølemiddellekkasje kan forårsake kvelning. Sørge for ventilering i samsvar med EN378-1.
- Pass på at isoleringen pakkes godt rundt røret. Direkte kontakt med ukledte rør kan forårsake brannskader eller forfrysninger.
- Aldri plasser batteri i munnen, da dette kan medføre en risiko for at du svelger batteriet ved et uhell.
- Hvis du svelger et batteri, kan du risikere kvelning og/eller forgiftning.
- Installer enheten på en stabil struktur for å forhindre uønsket mye driftsstøy eller vibrering.
- Det A-vektede lydtrykknivået er under 70 dB.
- Dette apparatet er ment for bruk av eksperter eller faglært personell i butikker, lettindustri og på gårder, eller for kommersielt bruk av ikke-fagmenn.

## <SUOMI>

Englanti on alkuperäinen. Muut kieliversiot ovat alkuperäiskappaleen käännöksiä.

### ▲ HUOMIO

- Vuotava kylmäaine voi aiheuttaa tukehtumisen. Ilmanvaihdon on oltava EN378-1-standardin mukainen.
- Kääri putken ympärille eristysmateriaalia. Paljaan putken koskettamisesta voi seurata palon tai paloletumavammoja.
- Älä koskaan laita paristoja suuhun, jotta et vahingossa nielaisisi niitä.
- Paristojen nieleminen voi aiheuttaa tukehtumisen ja/tai myrkytyksen.
- Asenna yksikkö tukeviin rakenteisiin, jotta sen käyttöstä ei syntyisi ylimääräistä ääntä tai värinää.
- A-painotettu äänenpainetaso on alle 70 dB.
- Laite on tarkoitettu asiantuntijoiden tai laitteelle koulutuksen saaneiden käyttöön kauppoissa, pienteollisuudessa ja maataloilla tai maailloille kaupalliseen käyttöön.

## <ČEŠTINA>

Originál je v angličtině. Ostatní jazykové verze jsou překladem originálu.

### ▲ POZOR

- Únik chladicího média může způsobit udušení. Zajistěte větrání v souladu s normou EN 378-1.
- Okolo potrubí vždy omotejte izolaci. Přímý kontakt s obnaženým potrubím může způsobit popálení nebo omrzliny.
- Nikdy nevklaďte baterie do úst, aby nedošlo k jejich poškození.
- Poškození baterie může způsobit zadušení a/nebo otravu.
- Jednotku nainstalujte na pevnou konstrukci, aby nedocházelo ke vzniku nadměrného provozního hluku a vibrací.
- Hladina akustického tlaku A je nižší než 70 dB.
- Toto zařízení je určeno pro prodejny, lehký průmysl a farmy, kde je musí obsluhovat odborníci a školení uživatelé, a pro komerční použití, kde je mohou obsluhovat laici.

## <SLOVENČINA>

Peklad anglického originálu. Všetky jazykové verzie sú preložené z angličtiny.

### ▲ UPOZORNENIE

- Únik chladiva môže spôsobiť udusenie. Zabezpečte vetranie podľa normy EN 378-1.
- Nezabudnite potrubie obaliť izoláciou. Priamy kontakt s nezabaleným potrubím môže spôsobiť popálenie alebo omrzliny.
- Batérie si nikdy z akéhokoľvek dôvodu nekladte do úst, aby nedošlo k ich náhodnému poškodeniu.
- Poškodenie batérie môže vyvolať dusenie a/alebo otravu.
- Nainštalujte jednotku na pevný konštrukčný prvok, aby ste obmedzili nadmerný prevádzkový hluk a vibrácie.
- Hladina akustického tlaku A je nižšia ako 70 dB.
- Toto zariadenie je určené na používanie odborníkmi alebo zaškolenými používateľmi v komerčných priestoroch, v prostredí ľahkého priemyslu, na farmách, alebo na komerčné použitie bežnými používateľmi.

## <MAGYAR>

Az angol változat az eredeti. A többi nyelvi változat az eredeti fordítása.

### ▲ VIGYÁZAT

- A hűtőközeg szivárgása fulladást okozhat. Gondoskodjon az EN378-1 szabvány előírásai szerinti szellőztetésről.
- Feltétlenül szigetelje körbe a csöveket. A csupasaz cső megértése égési vagy fagyási sérülést okozhat.
- Ne vegyen a szájába elemet semmilyen célból, mert véletlenül lenyelheti!
- A lenyelt elem fulladást és/vagy mérgezést okozhat.
- A készüléket merev szerkezetre szerelje fel, hogy megakadályozza a túlzott üzemi zajt és vibrációt.
- Az A-súlyozott hangnyomásszint 70 dB alatt van.
- A készülék üzletek, a könnyűipar és gazdaságok szakértői vagy képzett felhasználói, valamint laikus felhasználók általi kereskedelmi használatra készült.

## <SLOVENŠČINA>

Izvirnik je v angleščini. Druge jezikovne različice so prevodi izvirnika.

### ▲ POZOR

- Puščanje hladiva lahko povzroči zadušitev. Zagotovite prezračevanje po standardu EN378-1.
- Cevi ovijte z izolacijo. Neposredni stik z golimi cevmi lahko povzroči opekline ali ozeblino.
- Nikoli in iz nobenega razloga ne vstavljajte baterij v usta, da jih po nesreči ne pogoltnete.
- Če baterije pogoltnete, se lahko zadušite in/ali zastrupite.
- Enoto namestite na togo konstrukcijo, da preprečite pretiran zvok ali tresljaje med delovanjem.
- A-utežena raven zvočnega tlaka je pod 70 dB.
- Naprava je namenjena za uporabo s strani strokovnih ali ustrezno usposobljenih uporabnikov v trgovinah, lahki industriji in na kmetijah ter za komercialno uporabo s strani nestrokovnih uporabnikov.

## <ROMÂNĂ>

Textul original este în limba engleză. Versiunile pentru celelalte limbi sunt traduceri ale originalului.

### ▲ ATENȚIE

- Scurgerea de agent frigorific poate cauza asfixierea. Asigurați o ventilație corespunzătoare, conform standardului EN378-1.
- Asigurați-vă că înfașurați materialul izolator în jurul conductelor. Contactul direct cu conductele neizolate se poate solda cu arsuri sau degerături.
- Nu introduceți niciodată și pentru niciun motiv bateriile în gură, pentru a evita ingerarea accidentală a acestora.
- Ingerarea bateriilor poate cauza sufocarea și/sau intoxicația.
- Instalați unitatea pe o structură rigidă pentru a preveni producerea unui nivel excesiv de sunete sau vibrații.
- Nivelul de presiune acustică ponderată în A este mai mic de 70 dB.
- Acest aparat este destinat utilizării de către utilizatori specializați sau instruiți în cadrul spațiilor comerciale, spațiilor din cadrul industriei ușoare și al fermelor sau în scopuri comerciale de către nespecialiști.

## <EESTI>

Originaaljuhend on ingliskeelne. Muudes keeltes versioonid on originaali tõlked.

### ▲ ETTEVAATUST!

- Külmaaine leke võib põhjustada lämbumist. Tuulutamine standardi EN378-1 kohaselt.
- Mähkige torude ümber kindlasti isolatsiooni. Vahegi kontakt paljaste torudega võib põhjustada põletusi või külmakahjustusi.
- Hoiduge patareidest tahmatust allaneelamisest, ärge kunagi pange ühelgi põhjusel patareid suhu.
- Patareid allaneelamine võib põhjustada lämbumist ja/või mürgitust.
- Paigaldage seade järgale struktuurile, et vältida ülemäärast tööhet ja vibreerimist.
- A-filtriga helirõhu tase on madalam kui 70 dB.
- Seade on mõeldud kasutamiseks asjatundjatele ja väljaõppe läbinud kasutajatele poodides, kergtööstuses ja taludes ning komertskasutuseks tavaisikute poolt.

## <LATVISKI>

Orīģināls ir angļu valodā. Versijas citās valodās ir oriģināla tulkojums.

### ▲ UZMANĪBU

- Aukstumaģenta noplūdes gadījumā pastāv nosmakšanas risks. Ir jānodrošina standartam EN378-1 atbilstoša ventilācija.
- Aptiniet caurules ar izolējošu materiālu. Pieskaroties neatītiām caurulēm, var gūt apdegumus vai apsaldējumus.
- Aizliegts ievietot baterijas mutē; pastāv norīšanas risks.
- Bateriju norīšana var izraisīt aizrīšanas un/vai saindēšanas.
- Uzstādiet iekārtu uz izturīgas struktūras, lai izvairītos no pārlietu liela darbības trokšņa vai vibrācijas.
- A — izsvārotais skaņas spiediena līmenis ir mazāks par 70 dB.
- Šo iekārtu paredzēts lietot speciālistiem vai apmācītiem lietotājiem veikalos, vieglās rūpniecības telpās un lauksaimniecības fermās, kā arī to var lietot nespeciālisti komerciālām vajadzībām.

## <LIETUVIŠKAI>

Originalas yra angly k. Versijos kitomis kalbomis yra originalo vertimas.

### ▲ ATSARGIAI

- Dėl šaltesio nuotekio galima užduštis. Išvėdinkite patalpą pagal EN378-1.
- Būtinai vamzdelius apvyniokite izoliacija. Prisilietus prie plikų vamzdelių galima nusideginti arba nušalti.
- Siekdami išvėgti atsiktinio prarjimo, niekada nedėkite baterijų į burną.
- Prarijus bateriją galima užspringti ir / arba apsinuođyti.
- Įrenginį sumontuokite ant tvirtos struktūros, kad nesigirdėtų pernelyg didelio veikimo triukšmo ar vibracijos.
- A svertinis garso slėgio lygis nesiekia 70 dB;
- Šis prietaisas skirtas naudoti specialistui ar išmokytiems naudotojams dirbtuvėse, lengvojoje pramonėje arba komerciniam naudojimui nespecialistams.

## <HRVATSKI>

Tekst je izvorno napisan na engleskom jeziku. Tekst na ostalim jezicima predstavlja prijevod izvorno napisanog teksta.

### ▲ OPREZ

- Curenje rashladnog sredstva može uzrokovati gušenje. Osigurajte ventilaciju u skladu s normom HR EN378-1.
- Obavezno stavite izolaciju oko položenih cijevi. Izravni doticaj s golim cijevima može dovesti do opekline ili smrzavanja.
- Nikada ne stavljajte baterije u usta ni zbog kojeg razloga kako biste izbjegli slučajno gutanje.
- Gutanje baterija može prouzročiti gušenje i/ili trovanje.
- Postavite jedinicu na čvrstu strukturu kako biste izbjegli prebučan zvuk tijekom rada ili pojavu vibracija.
- Razina zvučnog tlaka A niža je od 70dB.
- Ovak uređaj mogu upotrebljavati stručnjaci ili osposobljeni korisnici u trgovinama, lakoj industriji i na poljoprivrednim gospodarstvima ili laici u komercijalne svrhe.

## <SRPSKI>

Prevod originala. Verzije na drugim jezicima su prevodi originala.

### ▲ OPREZ

- Curenje rashladne tečnosti može da dovede do gušenja. Obezbedite ventilaciju u skladu sa EN378-1.
- Obavezno obmotajte izolaciju oko cevi. Direktni kontakt sa golom cevii može izazvati opekotine ili promrzline.
- Nikada nemojte stavljati baterije u usta iz bilo kog razloga, kako bi se sprečilo slučajno gutanje.
- Gutanje baterija može da izazove gušenje i/ili trovanje.
- Ugradite jedinicu na čvrstu strukturu kako biste sprečili previše jak zvuk rada ili vibracije.
- A-ponderisani nivo jačine pritiska zvuka je ispod 70 dB.
- Ovak uređaj je namenjen za upotrebu od strane stručnih ili obučениh korisnika u prodavnicama, u lakoj industriji i na farmama ili za komercijalnu upotrebu od strane nekvalifikovanih lica.

Please be sure to put the contact address/telephone number on this manual before handing it to the customer.

**mitsubishi** ELECTRIC CORPORATION

HEAD OFFICE: TOKYO BUILDING, 2-7-3, MARUNOUCHI, CHIYODA-KU, TOKYO 100-8310, JAPAN

# Air to Water Heat Pump SUZ-SWM·VA(H) series SUZ-SHWM·VAH series

INSTALLATION MANUAL	FOR INSTALLER	English
INSTALLATIONSHANDBUCH	FÜR INSTALLATEURE	Deutsch
MANUEL D'INSTALLATION	POUR L'INSTALLATEUR	Français
INSTALLATIEHANDLEIDING	VOOR DE INSTALLATEUR	Nederlands
MANUAL DE INSTALACIÓN	PARA EL INSTALADOR	Español
MANUALE DI INSTALLAZIONE	PER L'INSTALLATORE	Italiano
ΕΓΧΕΙΡΙΔΙΟ ΟΔΗΓΙΩΝ ΕΓΚΑΤΑΣΤΑΣΗΣ	ΓΙΑ ΑΥΤΟΝ ΠΟΥ ΚΑΝΕΙ ΤΗΝ ΕΓΚΑΤΑΣΤΑΣΗ	Ελληνικά
MANUAL DE INSTALAÇÃO	PARA O INSTALADOR	Português
INSTALLATIONSMANUAL	TIL INSTALLATØREN	Dansk
INSTALLATIONSMANUAL	FÖR INSTALLATÖREN	Svenska
MONTAJ ELKİTABI	MONTÖR İÇİN	Türkçe
РУКОВОДСТВО ПО УСТАНОВКЕ	ДЛЯ УСТАНОВИТЕЛЯ	Русский
ПОСІБНИК З УСТАНОВЛЕННЯ	ДЛЯ СПЕЦІАЛІСТА З МОНТАЖУ	Українська
РЪКОВОДСТВО ЗА МОНТАЖ	ЗА МОНТАЖНИКА	Български
INSTRUKCJA MONTAŻU	DLA INSTALATORA	Polski
INSTALLASJONSHÅNDBOK	FOR MONTØR	Norsk
ASENNUSOPAS	ASENTAJALLE	Suomi
INSTALAČNÍ PŘÍRUČKA	PRO MONTÁŽNÍ PRACOVNÍKY	Čeština
NÁVOD NA INŠTALÁCIU	PRE MONTÉRA	Slovenčina
TELEPÍTÉSI KÉZIKÖNYV	A TELEPÍTŐ RÉSZÉRE	Magyar
NAMESTITVENI PRIROČNIK	ZA MONTERJA	Slovenščina
MANUAL DE INSTALARE	PENTRU INSTALATOR	Română
PAIGALDUSJUHEND	PAIGALDAJALE	Eesti
MONTĀŽAS ROKASGRĀMATA	UZSTĀDĪŠANAS SPECIĀLISTAM	Latviski
MONTAVIMO VADOVAS	SKIRTA MONTUOTOJUI	Lietuviškai
PRIRUČNIK ZA POSTAVLJANJE	ZA INSTALATERA	Hrvatski
UPUTSTVO ZA UGRADNJU	ZA MONTERA	Srpski

1. Sicherheitsvorkehrungen . . . . .	1	6. Elektroarbeiten . . . . .	9
2. Wahl des aufstellortes . . . . .	3	7. Wartung . . . . .	10
3. Installationszeichnung . . . . .	5	8. Wasserrohrarbeiten . . . . .	11
4. Abflußrohr für Außeneinheit . . . . .	5	9. Leerpumpen . . . . .	13
5. Arbeiten an den Kältemittelrohrleitungen . . . . .	6	10. Technische Daten . . . . .	14



**Hinweis: Dieses Symbolzeichen ist nur für EU-Länder bestimmt.**

**Dieses Symbol entspricht der Richtlinie 2012/19/EU Artikel 14 Informationen für Nutzer und Anhang IX.**

Ihr MITSUBISHI ELECTRIC-Produkt wurde unter Einsatz von qualitativ hochwertigen Materialien und Komponenten konstruiert und gefertigt, die für Recycling geeignet sind.

Dieses Symbol bedeutet, dass elektrische und elektronische Geräte am Ende ihrer Nutzungsdauer von Hausmüll getrennt zu entsorgen sind.

Bitte entsorgen Sie dieses Gerät bei Ihrer kommunalen Sammelstelle oder im örtlichen Recycling-Zentrum.

In der Europäischen Union gibt es unterschiedliche Sammelsysteme für gebrauchte Elektrik- und Elektronikgeräte.

Bitte helfen Sie uns, die Umwelt zu erhalten, in der wir leben!

## VORSICHT:

- Lassen Sie R32 nicht in die Atmosphäre ab.

## 1. Sicherheitsvorkehrungen

- ▶ Vor dem Einbau der Anlage vergewissern, dass Sie alle Informationen über "Sicherheitsvorkehrungen" gelesen haben.
- ▶ Vor Anschluss an das System Mitteilung an Stromversorgungsunternehmen machen oder dessen Genehmigung einholen.

Erläutern Sie dem Kunden nach Abschluss der Installationsarbeiten die "Sicherheitsvorkehrungen" sowie die Nutzung und Wartung der Anlage entsprechend den Informationen in der Bedienungsanleitung und führen Sie einen Testlauf durch, um sicherzustellen, dass die Anlage ordnungsgemäß funktioniert. Geben Sie dem Benutzer sowohl die Installations- als auch die Bedienungsanleitung zur Aufbewahrung. Diese Anleitungen sind auch den nachfolgenden Besitzern der Anlage weiterzugeben.

: Verweist auf einen Teil der Anlage, der geerdet werden muss.

## WARNUNG:

Beschreibt Vorkehrungen, die beachtet werden müssen, um den Benutzer vor der Gefahr von Verletzungen oder tödlichen Unfällen zu bewahren.

## WARNUNG:

Sorgfältig die auf der Hauptanlage aufgebrachten Aufschriften lesen.

- : Weist auf Warnungen und Vorsichtshinweise bei der Verwendung des Kältemittels R32 hin.

## VORSICHT:

Beschreibt Vorkehrungen, die beachtet werden müssen, damit an der Anlage keine Schäden entstehen.

### BEDEUTUNG DER AUF DEM INNENGERÄT UND/ODER AUSSENGERÄT ANGEBRACHTEN SYMBOLE

	<b>WARNUNG</b> (Brandgefahr)	Dieses Symbol gilt nur für das Kältemittel R32. Der Kältemitteltyp ist auf dem Typenschild des Außengeräts angegeben. Falls der Kältemitteltyp dieses Geräts R32 ist, ist das Kältemittel des Geräts entzündlich. Wenn Kältemittel austritt und mit Feuer oder heißen Teilen in Berührung kommt, entsteht schädliches Gas und es besteht Brandgefahr.
		Lesen Sie vor dem Betrieb sorgfältig das BEDIENUNGSHANDBUCH.
		Servicetechniker müssen vor dem Betrieb das BEDIENUNGSHANDBUCH und die INSTALLATIONSANLEITUNG sorgfältig lesen.
		Weitere Informationen sind im BEDIENUNGSHANDBUCH, in der INSTALLATIONSANLEITUNG usw. enthalten.

## WARNUNG:

- Das Gerät darf nicht vom Benutzer installiert werden. Bitten Sie Ihren Fachhändler oder einen geprüften Fachtechniker, die Installation und Reparatur der Anlage vorzunehmen. Wenn das Gerät unsachgemäß installiert wurde, kann dies Wasseraustritt, Stromschläge oder einen Brand zur Folge haben.
- Folgen Sie bei der Installation und Umsetzung den Anweisungen der Installationsanleitung und verwenden Sie Werkzeuge und Rohrleitungskomponenten, die ausdrücklich für den Einsatz von Kältemittel R32 ausgelegt sind. Wenn Rohrleitungskomponenten verwendet werden, die nicht für das Kältemittel R32 ausgelegt sind und die Anlage falsch installiert wird, können Rohrleitungen platzen und Sachschäden oder Verletzungen verursachen. Außerdem kann dies zu Wasseraustritt, Stromschlag oder einen Brand zur Folge haben.
- Die Anlage muss entsprechend der Anweisungen installiert werden, um das Schadensrisiko bei Erdbeben, Taifunen oder starken Winden zu minimieren. Ein falsch installiertes Gerät kann herabfallen und Sachschäden oder Verletzungen verursachen.
- Die Anlage muss sicher an einem Bauteil installiert werden, das das Gewicht der Anlage tragen kann. Wenn die Anlage an einem zu schwachen Bauteil befestigt wird, besteht die Gefahr, dass sie herabfällt und Sachschäden oder Verletzungen verursacht.
- Wenn die Luft-Wasser-Wärmepumpe in einem kleinen Raum installiert wird, müssen Maßnahmen ergriffen werden, um die Kältemittelkonzentration im Raum im Falle eines Kältemittellecks unterhalb der Sicherheitsgrenzen zu halten. Wenden Sie bezüglich geeigneter Maßnahmen zur Einhaltung der zulässigen Konzentrationen an einen Fachhändler. Bei Kühlmittelaustritt und daraus resultierender Überschreitung des Grenzwerts können in dem Raum Gefahren aufgrund von Sauerstoffmangel auftreten.
- Lüften Sie den Raum, wenn bei Betrieb Kältemittel austritt. Wenn das Kältemittel mit einer Flamme in Kontakt kommt, werden giftige Gase freigesetzt.
- Alle Elektroarbeiten sind von einem qualifizierten Fachelektriker gemäß der örtlichen Vorschriften und der Anweisungen dieser Anleitung auszuführen. Die Geräte müssen über eigene Stromkreise verfügen und es müssen die richtige Betriebsspannung und die richtigen Leistungsschalter verwendet werden. Stromleitungen mit unzureichender Kapazität oder falsch ausgeführte Elektroarbeiten können Stromschläge oder Brände verursachen.
- Verwenden Sie zur Verbindung der Kältemittelrohrleitungen für nahtlose Rohre aus Kupfer und Kupferlegierungen Kupfer-Phosphor C1220. Wenn die Rohrleitungen nicht korrekt verbunden sind, ist das Gerät nicht ordnungsgemäß geerdet, was Stromschläge zur Folge haben kann.
- Dieses Gerät ist für die Verwendung durch Fachleute oder geschultes Personal in Geschäften, in der Leichtindustrie und auf Bauernhöfen oder für die kommerzielle Verwendung durch Laien geeignet.
- Verwenden Sie zur Verdrahtung nur die angegebenen Kabel. Die Anschlüsse müssen fest und sicher ohne Zugbelastung auf den Klemmen vorgenommen werden. Spleißen Sie außerdem niemals die Kabel für die Verdrahtung (außer es wird in diesem Dokument entsprechend angegeben). Wenn die Kabel falsch angeschlossen oder installiert sind, kann dies Überhitzung oder einen Brand zur Folge haben.
- Wenn das Netzkabel beschädigt ist, muss er vom Hersteller, dem entsprechenden Kundendienstmitarbeiter oder einer ähnlich qualifizierten Person ersetzt werden, um Gefahrensituationen zu vermeiden.
- Das Gerät muss entsprechend den örtlichen Vorschriften zur Verkabelung eingebaut werden.
- Die Abdeckplatte der Klemmleiste der Außenanlage muss fest angebracht werden. Wenn die Abdeckplatte falsch montiert ist und Staub und Feuchtigkeit in die Anlage eindringen, kann dies einen Stromschlag oder Brand zur Folge haben.

# 1. Sicherheitsvorkehrungen

- Beim Installieren oder Umsetzen oder Warten der Luft-Wasser-Wärmepumpe darf nur das angegebene Kältemittel (R32) zur Befüllung der Kältemittelleitungen verwendet werden. Vermischen Sie es nicht mit anderem Kältemittel und lassen Sie nicht zu, dass Luft in den Leitungen zurückbleibt. Wenn sich Luft mit dem Kältemittel vermischt, kann dies zu einem ungewöhnlich hohen Druck in der Kältemittelleitung führen und eine Explosion oder andere Gefahren verursachen. Die Verwendung eines anderen als des für das System angegebenen Kältemittels führt zu mechanischem Versagen, einer Fehlfunktion des Systems oder einer Beschädigung des Geräts. Im schlimmsten Fall kann sie ein schwerwiegendes Hindernis für die Aufrechterhaltung der Produktsicherheit darstellen.
- Verwenden Sie nur von Mitsubishi Electric zugelassenes Zubehör und lassen Sie dieses durch Ihren Fachhändler oder einen autorisierten Techniker einbauen. Wenn Zubehör falsch installiert wurde, kann dies zu Wasseraustritt, Stromschlag oder einem Brand führen.
- Verändern Sie die Anlage nicht. Dies könnte einen Brand, einen elektrischen Schlag, Verletzungen oder Wasserleckagen verursachen.
- Der Benutzer darf niemals versuchen, die Anlage zu reparieren oder an einem anderen Ort aufzustellen. Wenn das Gerät unsachgemäß installiert wurde, kann dies Wasseraustritt, Stromschläge oder einen Brand zur Folge haben. Wenn die Luft-Wasser-Wärmepumpe repariert oder bewegt werden muss, fragen Sie einen Händler oder autorisiertes Fachpersonal.
- Wenn der Kältemittelkreislauf ein Leck aufweist, NICHT mit dem Kompressor abpumpen.
- Beim Abspumpen des Kältemittels, schalten Sie den Kompressor ab, bevor die Kältemittelleitungen getrennt werden. Der Kompressor kann zerplatzen, wenn Luft etc. eindringt.
- Prüfen Sie die Anlage nach Abschluss der Installation auf Kältemittelaustritt. Wenn Kältemittel in den Raum gelangt und mit der Flamme einer Heizung oder einer transportablen Kochstelle in Berührung kommt, werden giftige Gase freigesetzt.
- Verwenden Sie keine anderen als vom Hersteller empfohlenen Mittel, um das Abtauen zu beschleunigen oder das Gerät zu reinigen.
- Das Gerät muss in einem Raum ohne kontinuierlich betriebene Zündquellen (zum Beispiel: offenes Feuer, ein in Betrieb befindliches Gasgerät oder eine in Betrieb befindliche Elektroheizung) aufbewahrt werden.
- Nicht durchstechen oder verbrennen.
- Bedenken Sie, dass Kältemittel geruchslos sein können.
- Rohrleitungen müssen vor physischen Beschädigungen geschützt werden.
- Die Installation von Rohrleitungen muss auf ein Mindestmaß beschränkt werden.
- Die Einhaltung nationaler Gasverordnungen muss sichergestellt werden.
- Halten Sie alle erforderlichen Lüftungsöffnungen stets frei.
- Verwenden Sie beim Löten der Kältemittelleitungen keine Niedrigtemperatur-Lötlegierung.
- Bei Lötarbeiten muss der Raum ausreichend belüftet werden. Achten Sie darauf, dass sich keine gefährlichen oder entzündlichen Materialien in der Nähe befinden. Vergewissern Sie sich vor dem Arbeiten in einem geschlossenen oder kleinen Raum oder an ähnlichen Örtlichkeiten, dass nirgendwo Kältemittel austritt. Austretendes Kältemittel, das sich ansammelt, kann sich entzünden oder giftige Gase freisetzen.
- Das Gerät muss in einem gut belüfteten Bereich aufbewahrt werden, dessen Raumgröße der für den Betrieb vorgegebenen Raumfläche entspricht.
- Halten Sie Gasbrenner, elektrische Heizungen und andere Feuerquellen (Zündquellen) von dem Ort fern, an dem Installations-, Reparatur- oder sonstige Arbeiten an der Luft-Wasser-Wärmepumpe durchgeführt werden. Wenn das Kältemittel mit einer Flamme in Kontakt kommt, werden giftige Gase freigesetzt.
- Während der Arbeiten und des Transports nicht rauchen.
- Fügen Sie bei den jeweiligen Außenanlage nicht mehr als die maximale Menge des Kältemittels hinzu. Falls die maximale Menge des Kältemittels überschritten wird, könnte dies beim Auslaufen des Kältemittels ein Feuer verursachen.

de

## 1.1. Vor der Installation



### VORSICHT:

- Setzen Sie die Anlage nicht in unüblichem Umfeld ein. Wenn die Luft-Wasser-Wärmepumpe in Bereichen installiert ist, in denen sie Dampf, austretendem Öl (einschließlich Maschinenöl) oder Schwefeldämpfen ausgesetzt ist, oder in Gegenden mit hohem Salzgehalt, etwa am Meer, oder in Bereichen, in denen die Anlage mit Schnee bedeckt wird, kann dies erhebliche Leistungsbeeinträchtigungen und Schäden an den Geräteteilen im Inneren der Anlage zur Folge haben.
- Installieren Sie die Anlage nicht in Bereichen, in denen entzündliche Gase austreten, hergestellt werden, ausströmen oder sich ansammeln können. Wenn sich entzündliche Gase im Bereich der Anlage ansammeln, kann dies zu einem Brand oder einer Explosion führen.
- Während des Heizens entsteht an der Außenanlage Kondenswasser. Sorgen Sie für eine Wasserableitung rund um die Außenanlage, wenn Kondenswasser Schäden verursachen kann.
- Bei der Installation der Anlage in Krankenhäusern oder Kommunikationseinrichtungen müssen Sie mit Lärmbelastung und elektronischen Störungen rechnen. Inverter, Haushaltsgeräte, medizinische Hochfrequenzapparate und Telekommunikationseinrichtungen können Fehlfunktionen oder den Ausfall der Luft-Wasser-Wärmepumpe verursachen. Die Luft-Wasser-Wärmepumpe kann auch medizinische Geräte in Mitleidenschaft ziehen, die medizinische Versorgung sowie Kommunikationseinrichtungen durch Beeinträchtigung der Bildschirmdarstellung stören.

## 1.2. Vor der Installation (Transport)



### VORSICHT:

- Beim Transportieren oder Einbauen der Anlagen besondere Sorgfalt walten lassen. Zum Transport der Anlage sind mindestens zwei Personen nötig, da die Anlage 20 kg oder mehr wiegt. Tragen Sie die Anlage nicht an den Verpackungsbändern. Beim Entnehmen der Anlage aus der Verpackung und beim Aufstellen Schutzhandschuhe tragen, um Verletzungen durch Rippen oder scharfe Kanten anderer Teile zu vermeiden.
- Sorgen Sie für eine ordnungsgemäße Entsorgung der Verpackungsmaterialien. Verpackungsmaterialien wie Nägel sowie andere metallene oder hölzerne Teile können Verletzungen verursachen.
- Die Bodenplatte und die Befestigungsteile der Außenanlage müssen regelmäßig auf Festigkeit, Risse und andere Schäden geprüft werden. Wenn solche Schäden nicht behoben werden, kann die Anlage herabfallen und dabei Verletzungen oder Sachschäden verursachen.
- Reinigen Sie die Luft-Wasser-Wärmepumpe nicht mit Wasser. Dadurch besteht die Gefahr eines Stromschlags.
- Alle Konusmuttern müssen mit einem Drehmomentschlüssel entsprechend den technischen Anweisungen angezogen werden. Wenn die Muttern zu fest angezogen werden, besteht die Gefahr, dass die Konusmutter nach einer gewissen Zeit bricht und Kältemittel austritt.

## 1.3. Vor den Elektroarbeiten



### VORSICHT:

- Installieren Sie auf jeden Fall Leistungsschalter. Andernfalls besteht die Gefahr von Stromschlägen.
- Verwenden Sie für die Netzleitungen handelsübliche Kabel mit ausreichender Kapazität. Andernfalls besteht die Gefahr von Kurzschlüssen, Überhitzung oder eines Brandes.
- Achten Sie bei der Installation der Netzleitungen darauf, dass keine Zugspannung für die Kabel entsteht. Wenn sich die Anschlüsse lösen, besteht die Gefahr, dass die Kabel aus den Klemmen rutschen oder brechen; dies kann Überhitzung oder einen Brand verursachen.
- Die Anlage muss geerdet werden. Schließen Sie die Erdungsleitung nicht an Gas- oder Wasserleitungen, Blitzableitern oder Telefonerdungsleitungen an. Wenn die Anlage nicht ordnungsgemäß geerdet ist, besteht die Gefahr von Stromschlägen.
- Verwenden Sie Leistungsschalter (Erdschlussunterbrecher, Trennschalter (+B-Sicherung) und gussgekapselte Leistungsschalter) mit der angegebenen Kapazität. Wenn die Leistungsschalterkapazität größer ist als vorgeschrieben, kann dies einen Ausfall der Klimaanlage oder einen Brand zur Folge haben.

# 1. Sicherheitsvorkehrungen

## 1.4. Vor dem Testlauf

### VORSICHT:

- Schalten Sie den Netzschalter mehr als 12 Stunden vor Betriebsbeginn ein. Ein Betriebsbeginn unmittelbar nach Einschalten des Netzschalters kann zu schwerwiegenden Schäden der Innenteile führen. Lassen Sie während der Betriebsperiode den Netzschalter eingeschaltet.
- Prüfen Sie vor Betriebsbeginn, ob alle Platten, Sicherungen und weitere Schutzvorrichtungen ordnungsgemäß installiert sind. Rotierende, heiße oder unter Hochspannung stehende Bauteile können Verletzungen verursachen.

- Berühren Sie Schalter nicht mit nassen Händen. Dadurch besteht die Gefahr eines Stromschlags.
- Berühren Sie die Kältemittelrohre während des Betriebs nicht mit bloßen Händen. Die Kältemittelrohrleitungen sind je nach Zustand des durchfließenden Kältemittels heiß oder kalt. Beim Berühren der Rohre besteht die Gefahr von Verbrennungen oder Erfrierungen.
- Nach Beendigung des Betriebs müssen mindestens fünf Minuten verstreichen, ehe der Hauptschalter ausgeschaltet wird. Andernfalls besteht die Gefahr von Wasseraustritt oder Ausfall der Anlage.

## 1.5. Luft-Wasser-Wärmepumpe mit Kältemittel R32 betreiben

### VORSICHT:

- Verwenden Sie zur Verbindung der Kältemittelrohrleitungen für nahtlose Rohre aus Kupfer und Kupferlegierungen Kupfer-Phosphor C1220. Vergewissern Sie sich, dass die Rohre von innen sauber sind und keine schädlichen Verunreinigungen wie Schwefelverbindungen, Oxidationsmittel, Fremdkörper oder Staub enthalten. Verwenden Sie Rohre mit der vorgeschriebenen Stärke. (Siehe 4.1.) Beachten Sie die folgenden Hinweise, wenn Sie vorhandene Rohre wiederverwenden, mit denen das Kältemittel R22 transportiert wurde.
  - Ersetzen Sie die vorhandenen Konusmuttern, und weiten Sie die zur Aufweitung bestimmten Bereiche erneut auf.
  - Verwenden Sie keine dünnen Rohre. (Siehe 4.1.)
- Lagern Sie die für die Installation benötigten Rohre in einem geschlossenen Raum, und lassen Sie beide Enden der Rohre bis unmittelbar vor dem Hartlöten abgedichtet. (Belassen Sie Winkelstücke usw. in ihren Verpackungen.) Wenn Staub, Fremdkörper oder Feuchtigkeit in die Kältemittelleitungen eindringen, besteht die Gefahr, dass sich das Öl zersetzt oder der Kompressor ausfällt.
- Tragen Sie eine kleine Menge Esteröl/Etheröl oder Alkylbenzol als Kältemittelöl auf die Konusanschlüsse auf. Wenn das Kältemittelöl mit Mineralöl gemischt wird, besteht die Gefahr, dass sich das Öl zersetzt.

- Wartungsarbeiten dürfen nur wie vom Hersteller empfohlen durchgeführt werden.
- Verwenden Sie kein anderes Kältemittel als das Kältemittel R32. Wenn ein anderes Kältemittel verwendet wird, führt das Chlor dazu, dass sich das Öl zersetzt.
- Verwenden Sie die folgenden Werkzeuge, die speziell für die Verwendung mit Kältemittel R32 ausgelegt sind. Die folgenden Werkzeuge sind für die Verwendung des Kältemittels R32 erforderlich. Wenden Sie sich bei weiteren Fragen an Ihren Fachhändler.

Werkzeuge (für R32)	
Kaliber des Rohrverteilers	Aufweitungs Werkzeug
Füllschlauch	Lehre für die Größenanpassung
Gasleckdetektor	Netzteil der Vakuumpumpe
Drehmomentschlüssel	Elektronische Kältemittelfüllstandsanzeige

- Verwenden Sie unbedingt die richtigen Werkzeuge. Wenn Staub, Fremdkörper oder Feuchtigkeit in die Kältemittelleitungen eindringen, besteht die Gefahr, dass sich das Kältemittelöl zersetzt.

## 2. Wahl des aufstellortes

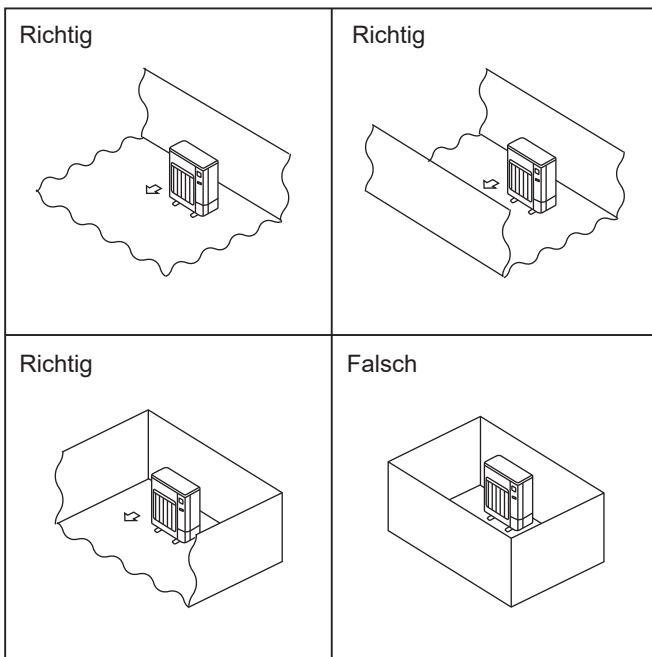


Fig. 2-1

### 2.1. Aussenanlage

- R32 ist schwerer als Luft (und andere Kältemittel) und sammelt sich daher eher an der Basis (in Bodennähe). Wenn sich R32 an der Basis sammelt, kann es in einem kleinen Raum eine entflammare Konzentration erreichen. Um eine Entzündung zu vermeiden, muss durch ausreichende Belüftung für einen sicheren Arbeitsbereich gesorgt werden. Wird in einem Raum oder Bereich mit unzureichender Belüftung ein Kältemittelaustritt festgestellt, dürfen keine Flammen benutzt werden, bis eine ausreichende Belüftung des Arbeitsbereichs sichergestellt wurde.
- Einen Ort wählen, der keinem starken Wind ausgesetzt ist.
- Einen Ort wählen, an dem ein guter Luftstrom sichergestellt und der frei von Staub ist.
- Einen Ort wählen, an dem kein Luftkurzschluss verursacht wird.
- Einen Ort wählen, an dem die Nachbarn nicht durch Betriebsgeräusche oder heiße Luft gestört werden.
- Einen Ort wählen, an dem eine feste Wand oder eine feste Abstützung vorhanden ist, um eine Zunahme der Betriebsgeräusche und Vibrationen zu vermeiden.
- Einen Ort wählen, an dem keine brennbaren Gase austreten.
- Wenn die Einheit an einem hohen Ort installiert wird, unbedingt Stützbeine an der Einheit anbringen.
- Wo wenigstens 3 m Abstand zu einer Fernseh- oder Radioantenne vorhanden ist. (da sonst Bildstörungen oder Geräusche auftreten.)
- Installieren Sie die Anlage an keinem Ort, der Schneefall oder Schneetreiben ausgesetzt sein könnte. In Gegenden mit starkem Schneefall bitte ein Vordach, einen Sockel und/oder einige Prallwände anbringen.
- Die Anlage waagrecht installieren.
- Die Anschlüsse der Kältemittelleitungen müssen zu Wartungszwecken zugänglich sein.
- Installieren Sie Außenanlagen an einem Ort, an dem wenigstens eine der vier Seiten offen ist, und in einem ausreichend großen Raum ohne Senken. (Fig. 2-1)

### VORSICHT:

Die folgenden Orte bei der Installation vermeiden, da es sonst zu Störungen der Luft-Wasser-Wärmepumpe kommen kann.

- Orte mit zu viel Maschinenöl.
- Orte mit salzhaltiger Luft in Meeresnähe.
- Orte mit Thermalbädern.
- Orte, an welchen schwefelige Gase auftreten.
- Orte mit andere speziellen Luftbedingungen.

Das Außengerät produziert Kondenswasser beim Heizvorgang. Wählen Sie einen Installationsort aus, an dem (gefrorenes) Abwasser das Außengerät und/oder den Boden nicht beschädigen kann.



## 2. Wahl des aufstellortes

### 2.2. Mindestinstallationsfläche

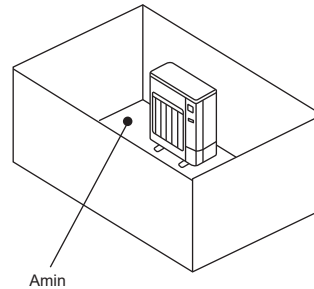
Wenn Sie das Gerät in einem Raum installieren müssen, an dem alle vier Seiten blockiert sind oder Senken vorhanden sind, vergewissern Sie sich, dass eine der folgenden Bedingungen (A, B oder C) erfüllt ist.

**Hinweis:** Diese Maßnahmen dienen zur Gewährleistung der Sicherheit, die Leistung könnte jedoch beeinträchtigt werden.

A) Ausreichend Installationsraum (Mindestinstallationsfläche  $A_{min}$ ).

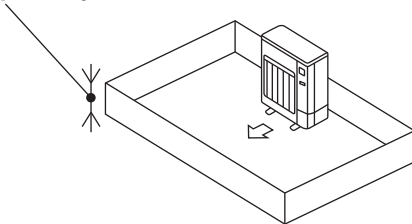
In einem Raum mit einer Installationsfläche von  $A_{min}$  oder mehr aufstellen, was einer Kältemittelmenge  $M$  entspricht (werkseitig eingefülltes Kältemittel + vor Ort hinzugefügte Kältemittel).

M [kg]	$A_{min}$ [m <sup>2</sup> ]
1,0	12
1,5	17
2,0	23
2,5	28
3,0	34
3,5	39
4,0	45
4,5	50
5,0	56
5,5	62
6,0	67
6,5	73
7,0	78
7,5	84

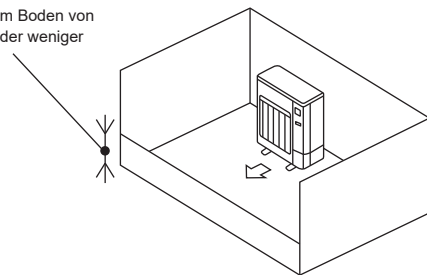


B) In einem Raum mit einer Absenkung von  $\leq 0,125$  [m] installieren.

Abstand vom Boden von  
0,125 [m] oder weniger



Abstand vom Boden von  
0,125 [m] oder weniger

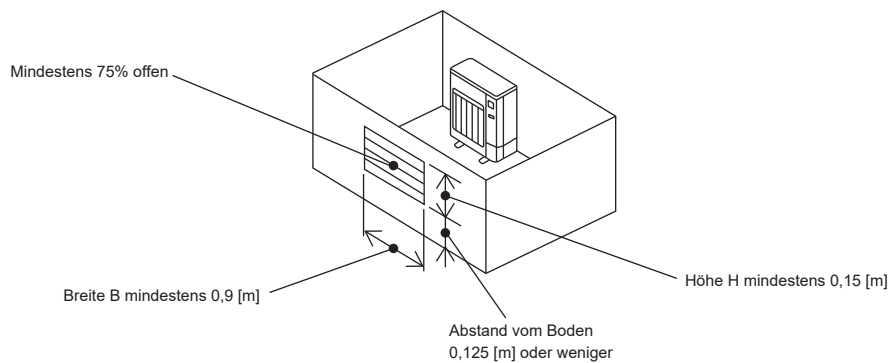


C) Für eine ausreichend große Belüftungsöffnung sorgen.

Achten Sie darauf, dass die Öffnung mindestens 0,9 [m] breit und 0,15 [m] hoch ist.

Der Abstand vom Boden des Installationsraums bis zur Unterkante der Öffnung darf jedoch höchstens 0,125 [m] betragen.

Die Öffnung sollte zu mindestens 75% offen sein.



**Hinweis:** Für die Innenanlage gibt es aufgrund der Verwendung des Kältemittels R32 keine Installationsbeschränkungen.

Schlagen Sie bitte in der Installationsanleitung der Innenanlage nach und überprüfen Sie den erforderlichen Installationsbereich.

### 3. Installationszeichnung

#### 3.1. Aussenanlage (Fig. 3-1)

##### Freiraum für Belüftung und Bedienung

- Ⓐ 100 mm oder mehr
- Ⓑ 350 mm oder mehr
- Ⓒ 500 mm oder mehr

Wenn die Rohrleitung an einer Mauer, in der sich Metalle (Zinkbleche) oder Metallmatten befinden, angebracht werden muß, ein chemisch behandeltes Holzstück von 20 mm oder stärker zwischen Mauer und Rohrleitung einfügen oder Rohrleitung mit 7 bis 8 Lagen Vinylisolierband umwickeln.

Anlagen sind von einem staatlich geprüften Fachtechniker gemäß den vor Ort geltenden gesetzlichen Bestimmungen aufzustellen und zu installieren.

- SUZ-SWM80VA2, SUZ-SWM80VAH2, SUZ-SWM100VA, SUZ-SWM100VAH, SUZ-SHWM60VAH

##### Hinweis:

Beim Betrieb der Luft-Wasser-Wärmepumpe bei niedriger Außentemperatur darauf achten, die nachstehend beschriebenen Anweisungen zu befolgen.

- Die Außeneinheit niemals an einem Ort installieren, an dem die Lufteingangs-/ausgangsseite unmittelbar Luftzug ausgesetzt ist.
- Die Außeneinheit so installieren, dass die Lufteingangsseite zur Wand hin zeigt, um sie vor Zugluft zu schützen.
- Um die Luftausgangsseite der Außeneinheit vor Zugluft zu schützen, wird empfohlen, eine Abschirmung zu installieren.

- SUZ-SWM30VA, SUZ-SWM40VA2, SUZ-SWM60VA2, SUZ-SHWM30VAH, SUZ-SHWM40VAH

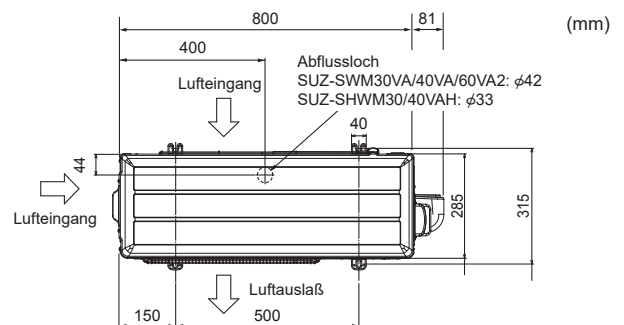
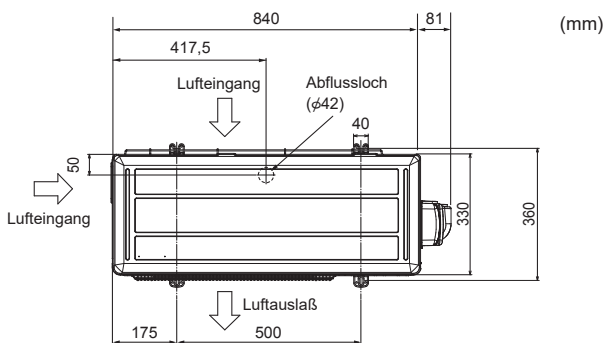
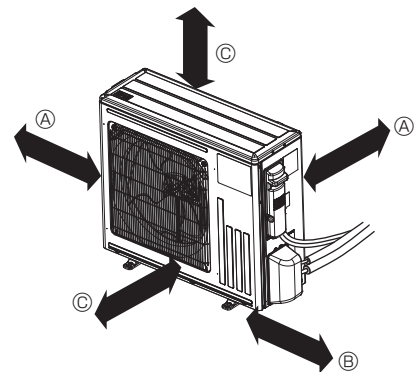
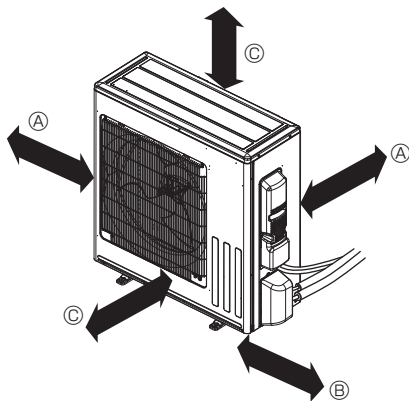


Fig. 3-1

### 4. Abflußrohr für Außeneinheit (Fig. 4-1)

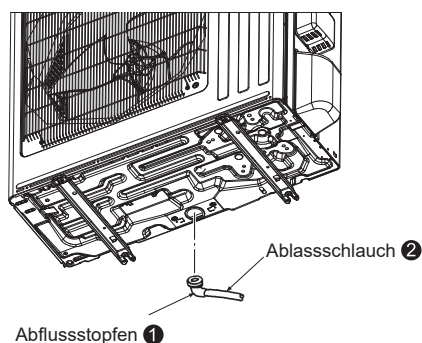


Fig. 4-1

#### 4.1. Zubehör

Vor der Installation sicherstellen, daß die folgenden Teile vorhanden sind.  
<Außeneinheit>

①	Abflusstopfen	1
---	---------------	---

- Das Abflußrohr vor Anschluss der Rohrleitung für die Innen- und Außeneinheit anbringen. (Wenn der Rohrleitungsanschluss für die Innen- und Außeneinheit vor Anbringen der Abflußrohrleitung ausgeführt wurde, ist es schwierig, den Abflusstopfen ① zu installieren, da sich die Außeneinheit nicht mehr bewegen lässt).
- Zur Dränung den Ablassschlauch ② anschließen (im Handel erhältlich, Innendurchmesser: 15 mm), wie in der Abbildung dargestellt.
- Für einen einwandfreien Abfluss sicherstellen, dass die Abflußrohrleitung mit der richtigen Neigung nach unten versehen wird.

##### Hinweis:

Den Abflusstopfen ① nicht in einer kalten Region einsetzen. Der Abfluß kann einfrieren und das Gebläse zum Abschalten bringen. Die SHWM-Serie enthält keinen Abflusstopfen.

## 5. Arbeiten an den Kältemittelrohrleitungen

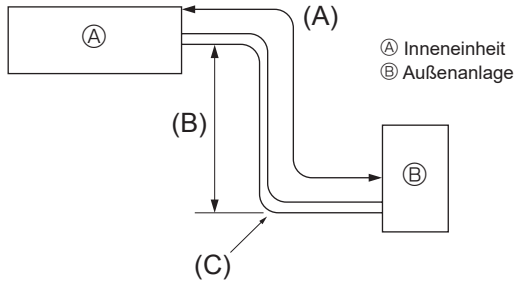


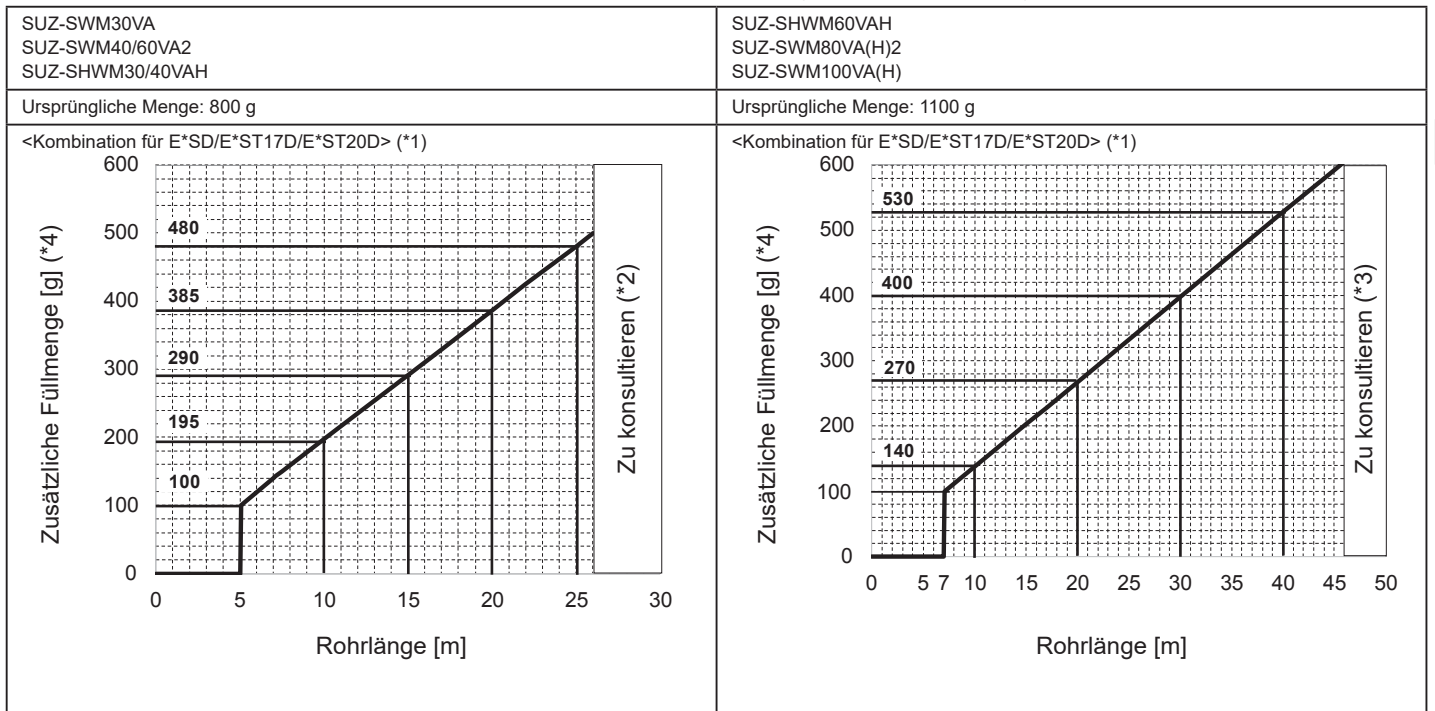
Fig. 5-1

### 5.1. Rohrleitung für Kältemittel (Fig. 5-1)

► Vergewissern, dass der Höhenunterschied zwischen Innen- und Außenanlage, die Länge der Kältemittelrohrleitung und die Anzahl der Krümmen in der Rohrleitung innerhalb der Grenzwerte der nachstehenden Tabelle liegen.

Modelle	(A) Länge Rohrleitung (eine Richtung)	(B) Höhenunterschied	(C) Zahl der Krümmen (eine Richtung)
SUZ-SWM30VA	2 m - 26 m	Max. 26 m	Max. 10
SUZ-SHWM30VAH			
SUZ-SWM40VA2			
SUZ-SHWM40VAH			
SUZ-SWM60VA2	2 m - 46 m	Max. 30 m	
SUZ-SHWM60VAH			
SUZ-SWM80VA(H)2			
SUZ-SWM100VA(H)			

• Die Begrenzung der Höhenunterschiede ist verbindlich, gleichgültig welche Anlage, Innen- oder Außenanlage, sich in der höheren Position befindet.



\*1. Bei Anschluss an E\*ST30D bitte IMMER 50 g extra zur zusätzlichen Füllmenge entsprechend den Grafiken hinzufügen.

\*2. Bei einer Rohrlänge von mehr als 26 m bitte unseren Spezialisten konsultieren.

\*3. Bei einer Rohrlänge von mehr als 46 m bitte unseren Spezialisten konsultieren.

\*4. Bei vollständiger Füllmenge; ursprüngliche + zusätzliche Füllmenge

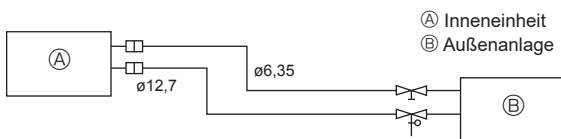


Fig. 5-2

(1) Nachstehende Tabelle zeigt die technischen Daten für im Handel erhältliche Rohrleitungen. (Fig. 5-2)

Modell	Rohrleitung	Außendurchmesser		Mindestwandstärke	Isolationsstärke	Isolationsmaterial
		mm	Zoll			
Alle Modelle	Für Flüssigkeit	6,35	1/4	0,8 mm	8 mm	Hitzebeständiger Kunststoffschaum spezifisches Gewicht 0,045
	Für Gas	12,7	1/2	0,8 mm	8 mm	

(2) Dafür sorgen, daß die beiden Kältemittelrohrleitungen zur Verhinderung der Kondenswasserbildung gut isoliert sind.

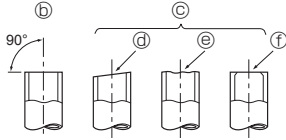
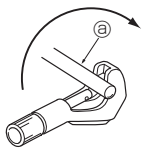
(3) Biegeradius der Kältemittelrohrleitung muß 100 mm oder mehr betragen.

### ⚠ VORSICHT:

Sorgfältig darauf achten, daß die Isolierung die angegebene Stärke hat. Übermäßige Stärke verhindert Lagerung hinter der Inneneinheit und geringere Stärke verursacht Heruntertropfen von Kondenswasser.

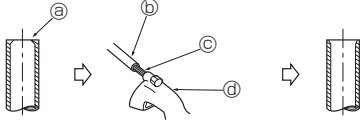
- Sorgen Sie für ausreichende Belüftung, um ein Entzünden zu verhindern. Führen Sie außerdem Brandschutzmaßnahmen aus, derart, dass sich keine gefährlichen oder entflammenden Objekte in der Umgebung befinden.
- Nachfüllen von R32 bei der Wartung: Vergewissern Sie sich vor dem Nachfüllen von R32 bei der Wartung, dass die Ausrüstung zu 100 % vom Stromnetz getrennt ist. Sonst liegt Explosionsgefahr durch elektrischen Funkenschlag vor.
- Die Dämmmaterialien müssen die folgenden Spezifikationen erfüllen.
  - (1) Wärmeübertragungsrate: 0,040 W/mK oder weniger
  - (2) Dicke der Isolierung: 9 mm oder mehr
  - (3) Wärmewiderstand: 110 °C oder mehr
 Wenn die Rohrleitungslänge im Außenbereich über 15 m beträgt, muss die Dicke der Isolierung 18 mm oder mehr betragen.

## 5. Arbeiten an den Kältemittelrohrleitungen



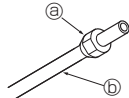
- Ⓐ Kupferrohre
- Ⓑ Gut
- Ⓒ Nicht gut
- Ⓓ Schräg
- Ⓔ Ungerade
- Ⓕ Mit Schnittgraten

Fig. 5-3



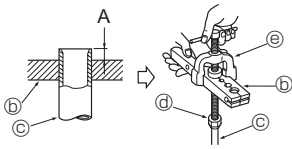
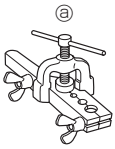
- Ⓐ Schnittgrat
- Ⓑ Kupferrohr/  
Rohrleitung
- Ⓒ Zusätzliche  
Reibahle
- Ⓓ Rohrschneider

Fig. 5-4



- Ⓐ Konusmutter
- Ⓑ Kupferrohr

Fig. 5-5



- Ⓐ Aufbiegewerkzeug
- Ⓑ Gewindeschneidbacke
- Ⓒ Kupferrohr
- Ⓓ Konusmutter
- Ⓔ Yoke

Fig. 5-6

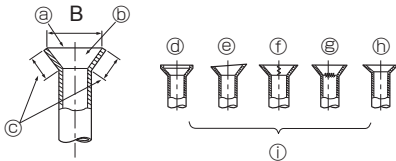


Fig. 5-7

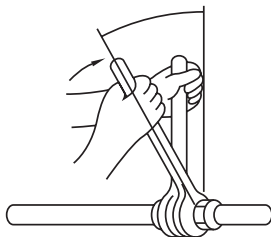


Fig. 5-8

### 5.2. Ausführung der konischen aufbiegung

- Hauptursache für Gasaustritt ist unsachgemäße konische Aufbiegung der Rohrleitungen.
- Zur sachgemäßen Ausführung der konischen Aufbiegung der Rohrleitung folgende Verfahren anwenden.

#### 5.2.1. Abschneiden des Rohres (Fig. 5-3)

- Mit einem Rohrschneider das Kupferrohr sachgerecht abtrennen.

#### 5.2.2. Schnittgrate entfernen (Fig. 5-4)

- Alle Schnittgrate vollständig vom Querschnitt der Rohrleitung/des Rohres entfernen.
- Ende des Kupferrohres/der Rohrleitung beim Entfernen der Schnittgrate nach unten neigen, um zu vermeiden, dass Metallteilchen in das Rohr fallen.

#### 5.2.3. Mutter aufsetzen (Fig. 5-5)

- An der Innen- und der Außenanlage angebrachte Konusmuttern abnehmen und sie dann nach der Schnittgratbeseitigung auf das Rohr aufsetzen.  
(Nach Abschluß der Aufbiegung können sie nicht mehr aufgesetzt werden)

#### 5.2.4. Aufbiegungsarbeiten (Fig. 5-6)

- Aufbiegungsarbeiten mit einem Aufbiegewerkzeug, wie links gezeigt, ausführen.

Rohrdurchmesser (mm)	Abmessungen	
	A (mm)	B <sup>+0</sup> <sub>-0.4</sub> (mm)
	Wenn das Werkzeug für R32 verwendet wird	
	Kupplungstyp	
6,35	0 - 0,5	9,1
9,52	0 - 0,5	13,2
12,7	0 - 0,5	16,6
15,88	0 - 0,5	19,7

Kupferrohr fest in eine Gewindeschneidbacke, die in der obigen Tabelle angegebenen Abmessungen aufweist, einklemmen.

#### 5.2.5. Prüfung (Fig. 5-7)

- Aufbiegung mit der Abbildung links vergleichen.
- Wenn festgestellt wird, dass die Aufbiegung/der konisch aufgebogene Bereich nicht einwandfrei ist, aufgebogenen Teil abschneiden und Aufbiegung erneut vornehmen.

- Ⓐ Rundherum glatt
- Ⓑ Innenseite ist blank ohne Kratzer
- Ⓒ Ringsherum gleiche Länge
- Ⓓ Zu stark
- Ⓔ Schräg
- Ⓕ Kratzer auf Aufbiegungsfläche
- Ⓖ Gerissen
- Ⓗ Uneben
- Ⓘ Beispiele für schlechte Ausführung

- Kältemittelöl dünn auf der Sitzfläche des Rohrs auftragen. (Fig. 5-8)
- Zum Anschließen zunächst die Mitte ausrichten, dann die Konusmutter mit den ersten 3 bis 4 Umdrehungen anziehen.
- Die in der nachfolgenden Tabelle ausgeführten Anzugsmomente an der Rohrverbindungen an der Inneneinheit einhalten und für das Festziehen zwei Schlüssel verwenden. Nicht zu fest anziehen, da sonst der Kelchabschnitt beschädigt werden kann.

Kupferrohr O.D. (mm)	Konusmutter O.D. (mm)	Anzugsdrehmoment (N·m)
ø6,35	17	14 - 18
ø9,52	22	34 - 42
ø12,7	26	49 - 61
ø15,88	29	68 - 82

### ! WARNUNG:

Schließen Sie die Kältemittelleitungen beim Installieren des Geräts fest an, bevor Sie den Kompressor einschalten.

### ! WARNUNG:

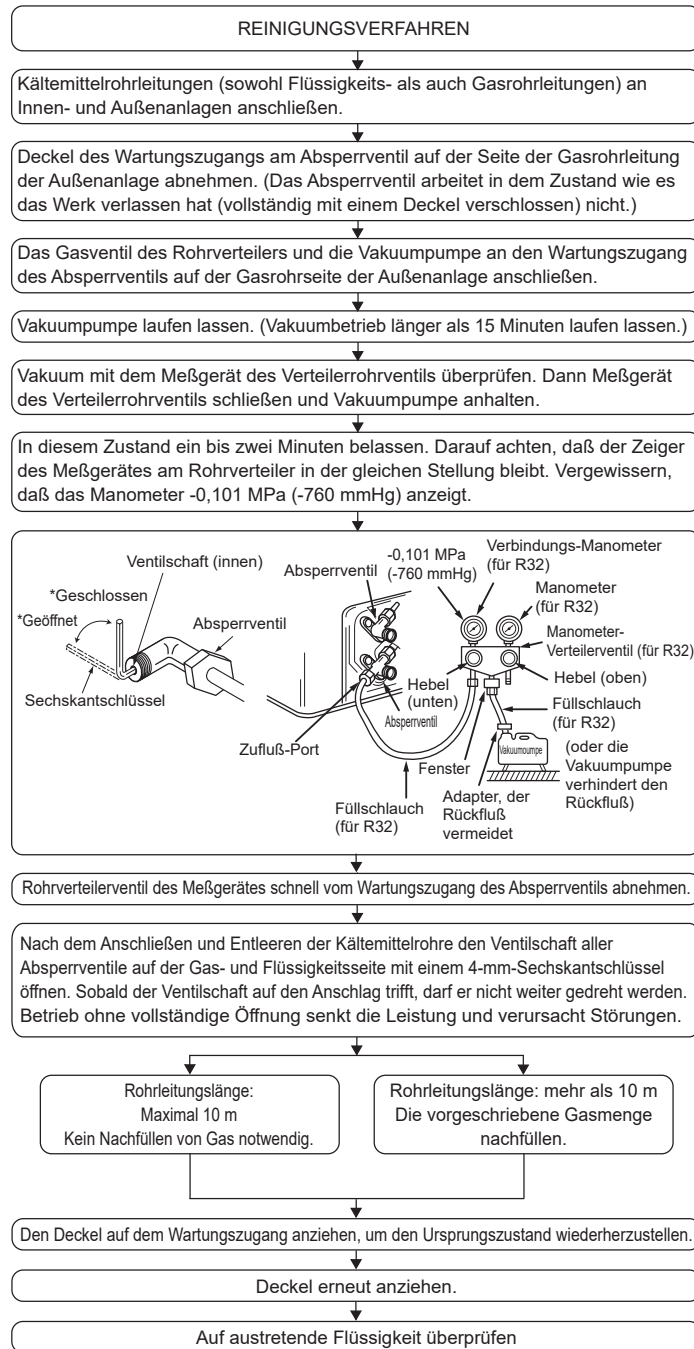
Sorgfältig darauf achten, die Konusmutter nicht gewaltsam zu öffnen! (Steht unter Innendruck)

Die Konusmutter wie folgt abnehmen:

1. Die Mutter lockern bis ein zischendes Geräusch zu hören ist.
2. Die Mutter nicht abnehmen bis das Gas vollständig ausgetreten ist (z.B. zischendes Geräusch hört auf).
3. Vergewissern, daß das Gas vollständig ausgetreten ist und dann die Mutter abnehmen.

## 5. Arbeiten an den Kältemittelrohrleitungen

### 5.3. Reinigungsverfahren/prüfung auf austretende flüssigkeit

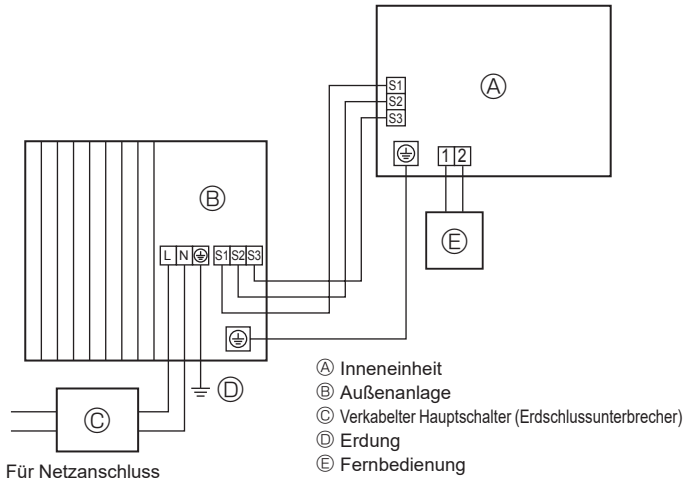


## 6. Elektroarbeiten

### 6.1. Außeneinheit (Fig. 6-1, Fig. 6-2, Fig. 6-3)

- ① Die Wartungstafel entfernen.
- ② Die Kabel wie in den Fig. 6-1, Fig. 6-2 und Fig. 6-3 gezeigt verlegen.

#### ■ SUZ-SHWM60VAH, SUZ-SWM80VA(H)2, SUZ-SWM100VA(H)



#### ■ SUZ-SHWM30/40VAH, SUZ-SWM30VA, SUZ-SWM40/60VA2

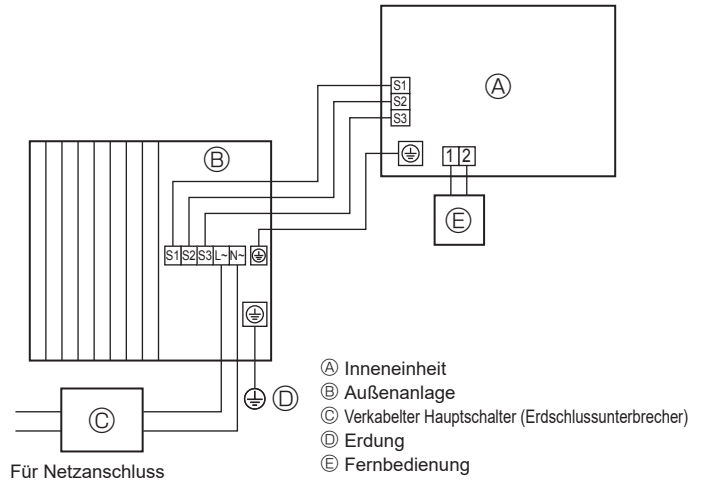
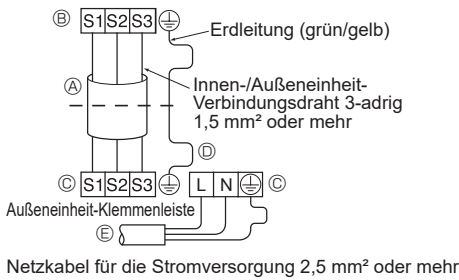


Fig. 6-1

#### Inneneinheit-Klemmenleiste



#### ■ Bei SUZ-SHWM30/40VAH, SUZ-SWM30VA/40VA2/60VA2

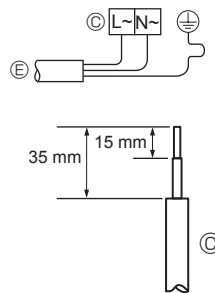
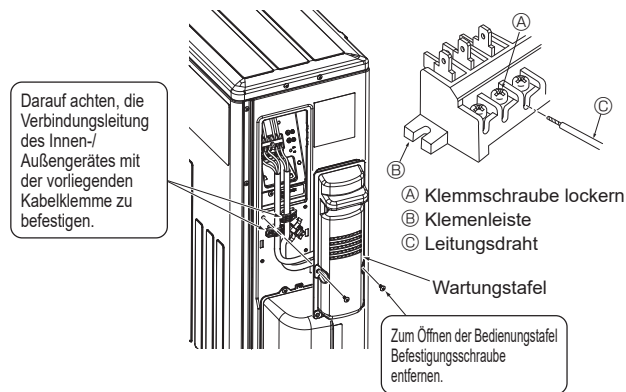


Fig. 6-2

#### ■ SUZ-SWM30VA, SUZ-SWM40VA2, SUZ-SWM60VA2, SUZ-SHWM30VAH, SUZ-SHWM40VAH



#### ■ SUZ-SWM80VA2, SUZ-SWM100VA, SUZ-SWM80VAH2, SUZ-SWM100VAH, SUZ-SHWM60VAH

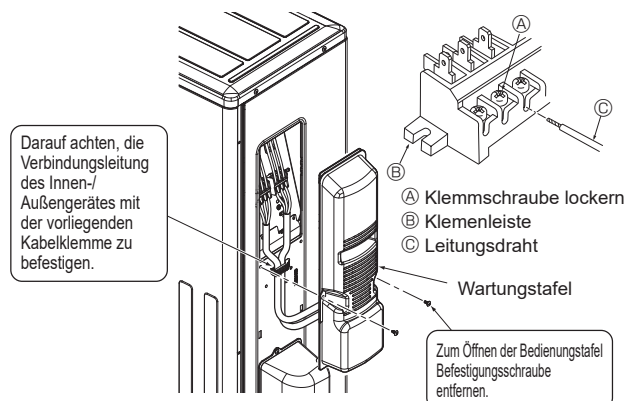


Fig. 6-3

- Verdrahtung wie in der Abbildung links unten dargestellt vornehmen. (Kabel ist vor Ort zu beschaffen) (Fig. 6-2)
- Darauf achten, daß nur Kabel mit der richtigen Polarität verwendet werden.

- (A) Anschlusskabel
- (B) Innenanlage-Klemmenleiste
- (C) Außenanlage-Klemmenleiste
- (D) Achten Sie darauf, dass das Erdungskabel länger ist als die anderen, spannungsführenden Kabel.
- (E) Netzkabel für die Stromversorgung
- (F) Leitungsdraht

- Führen Sie die Erdungsleitung etwas länger aus als die übrigen. (Mehr als 100 mm)
- Lassen Sie die Anschlusskabel für zukünftige Wartungszwecke etwas länger als erforderlich.
- Beim Befestigen der Kabel und/oder Drähte am Anschlussblock darauf achten, dass jede Schraube in ihre entsprechende Klemme eingeschraubt ist.

- Kabel von der Innenanlage einwandfrei an den Klemmenblock anschließen.
- Den gleichen Klemmenblock und die gleiche Polarität wie bei der Innenanlage verwenden.
- Zur späteren Wartung Anschlusskabel etwas länger lassen.

- Beide Enden des Anschlusskabels (Verlängerungskabel) sind abisoliert. Wenn das Stück zu lang ist oder wenn beim Anschluß Kabel in der Mitte abgeschnitten werden muß, Netzkabel auf die in der Abbildung rechts angegebenen Maße abisolieren.
- Darauf achten, dass das Anschlusskabel nicht mit der Rohrleitung in Kontakt kommt.

### ! VORSICHT:

- Sorgfältig darauf achten, Fehlverdrahtung zu verhindern.
- Klemmschrauben fest anziehen, damit sie sich nicht lockern können.
- Nach dem Anziehen leicht an den Leitungsdrähten ziehen, um sicherzustellen, dass sie nicht locker sind.

### ! WARNUNG:

- Darauf achten, dass die Bedienungsplatte der Außenanlage sicher angebracht wird. Bei nicht einwandfreier Anbringung könnte durch Staub, Wasser etc. ein Brand oder ein Stromschlag ausgelöst werden.
- Klemmschrauben fest anziehen.
- Bei der Verdrahtung darauf achten, dass die Netzstromleitungen keiner Zugspannung ausgesetzt sind. Anderenfalls kann sich Hitze entwickeln und Feuer ausbrechen.

## 6. Elektroarbeiten

### 6.2. Elektrische Anschlußwerte

Außeneinheit Modell	SUZ-SHWM30VAH/40VAH SUZ-SWM30VA/40VA2/60VA2	SUZ-SHWM60VAH SUZ-SWM80VA(H)2/SWM100VA(H)
Stromversorgung Außeneinheit	~N (einzeln), 50 Hz, 230 V	~N (einzeln), 50 Hz, 230 V
Eingangskapazität Außeneinheit Hauptschalter (Unterbrecher)	*1	16 A
Drähte Anzahl × Durchmesser (mm <sup>2</sup> )	Stromversorgung Außeneinheit	2 × Min. 2,5
	Außeneinheit Erdung	1 × Min. 2,5
	Innen-/Außeneinheit	3 × 1,5 (Polar)
	Innen-/Außeneinheit Erdung	1 × Min. 1,5
Spannungswerte	Außeneinheit L-N	*2
	Innen-/Außeneinheit S1-S2	*2
	Innen-/Außeneinheit S2-S3	*2

\*1. Es sollte ein Unterbrecher mit mindestens 3 mm Kontakttrennung in jedem Pol vorhanden sein. Einen Fehlerstromschutzschalter (NV) verwenden.

Darauf achten, dass der Stromunterbrecher mit harmonischen Oberschwingungen kompatibel ist.

Stets einen Stromunterbrecher verwenden, der mit harmonischen Oberschwingungen kompatibel ist, da dieses Gerät einen Umwandler besitzt.

Wird ein ungeeigneter Unterbrecher verwendet, kann dies zu einem mangelhaften Betrieb des Umwandlers führen.

\*2. Die Werte sind NICHT immer auf Erdung anwendbar.

An der Anschlußklemme S3 liegen 24 V DC gegen S2 an. Zwischen S3 und S1 sind diese Anschlußklemmen NICHT durch einen Transformator oder ein anderes Gerät isoliert.

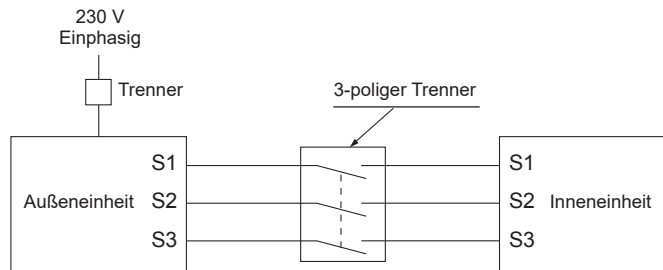
**Hinweise:** 1. Der Durchmesser der Drähte muß den örtlichen und nationalen Vorschriften entsprechen.

2. Netzanschlußkabel und Verbindungskabel von Innen-/Außeneinheit sollten nicht leichter als Polychloropren-ummantelte flexible Kabel sein. (Konstruktionsrichtlinie 60245 IEC 57)

3. Bei der Installation beachten, daß das Erdkabel länger ist als die anderen Kabel.

4. Verwenden Sie flammwidrige Verteilerkabel für die Spannungszuleitung.

5. Verlegen Sie die Leitung ordnungsgemäß, so dass sie nicht mit der Blechkante oder einer Schraubenspitze in Berührung kommt.



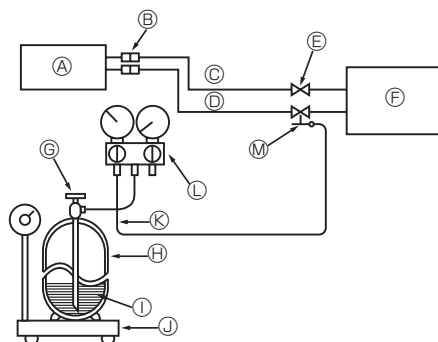
### ⚠️ WARNUNG:

An der Anschlußklemme S3 liegt Hochspannung aufgrund der Schaltkreisstruktur an, die keine Isolierung zwischen Netz- und Signalkabel vorsieht. Daher ist vor der Wartung unbedingt die Hauptstromversorgung abzuschalten. Beim Einschalten des Geräts auf keinen Fall die Anschlußklemmen S1, S2, S3 berühren. Wenn ein Trenner zwischen Innen- und Außeneinheit verwendet wird, sollte dieser 3-polig sein.

Spleißen Sie niemals das Netzkabel oder das Verbindungskabel zwischen Innenaggregat und Außengerät, da es andernfalls zu Rauchentwicklung, einem Brand oder einem Kommunikationsfehler kommen kann.

Darauf achten, die Verbindungskabel zwischen Außen- und Innenanlage direkt an die Geräte anzuschließen. (Keine Zwischenanschlüsse). Zwischenanschlüsse können Kommunikationsfehler verursachen, wenn Wasser in die Kabel eindringt und unzureichende Isolierung zur Erdung oder schlechten Stromkontakt am Zwischenanschlusspunkt zur Folge hat.

## 7. Wartung



- (A) Inneneinheit
- (B) Rohrverbindung
- (C) Flüssigkeitsrohr
- (D) Gasrohr
- (E) Absperrventil
- (F) Außenanlage
- (G) Kältemittelgasflaschen-ventil
- (H) Kältemittelgasflasche für R32 mit Siphon
- (I) Kältemittel (flüssig)
- (J) Elektronische Waage für Kältemittelfüllung
- (K) Nachfüllschlauch (für R32)
- (L) Unterdruckmesser-Rohrver-zweigungsventil (für R32)
- (M) Wartungsöffnung

Fig. 7-1

### 7.1. Gasfüllung (Fig. 7-1)

- Den Gaszylinder an die Wartungseinheit der Absperrarmatur (3-Wege) anschließen.
- Luftreinigung der von der Kältemittelgasflasche kommenden Rohrleitung (oder des Schlauchs).
- Angegebene Menge Kältemittel nachfüllen, während die Luft-Wasser-Wärmepumpe im Kühlbetrieb läuft.

**Hinweis:**

Beim Nachfüllen von Kältemittel die für den Kältemittelkreislauf angegebene Menge einhalten.

### ⚠️ VORSICHT:

- Das Kältemittel nicht in die Atmosphäre freilassen. Während der Installation, der Neuinstallation oder bei Reparaturen am Kältemittelkreislauf dafür sorgen, daß kein Kältemittel in die Atmosphäre gelangt.
- Das Kältemittel aus einer mit Kältemittel gefüllten Gasflasche im flüssigen Zustand nachfüllen. Falls sich das Kältemittel während des Nachfüllens im gasförmigen Zustand befindet, kann sich die Zusammensetzung des Kältemittels in der Flasche oder in der Außenanlage ändern. In diesem Fall ist die Leistungsfähigkeit des Kältemittelkreislaufs beeinträchtigt oder der Normalbetrieb wird gegebenenfalls unmöglich. Um ein Blockieren des Kompressors zu verhindern, muss das flüssige Kältemittel langsam nachgefüllt werden.

Bei kaltem Wetter den Gaszylinder mit warmem Wasser (unter 40°C) anwärmen, um den hohen Druck des Gaszylinders beizubehalten. Auf keinen Fall jedoch eine offene Flamme oder Dampf verwenden.

## 8. Wasserrohrarbeiten

### 8.1. Minimale Wassermenge

Lesen Sie das Installationshandbuch des Innengeräts.

### 8.2. Verfügbarer Bereich (Wasserdurchflussrate, Rücklaufwassertemp.)

Stellen Sie sicher, dass Wasserdurchflussmenge und Rücklauftemperaturbereich im Wasserkreislauf wie folgt sind.

Diese Kurven stehen mit der Wassermenge in Beziehung.

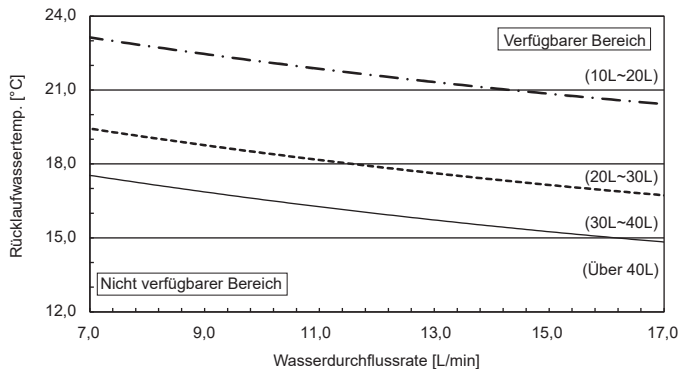
#### ■ Heizen

SUZ-SWM30VA SUZ-SHWM30VAH

SUZ-SWM40VA2 SUZ-SHWM40VAH

SUZ-SWM60VA2

Mindesttemperatur des Rücklaufwassers aufgrund der Wassermenge im System

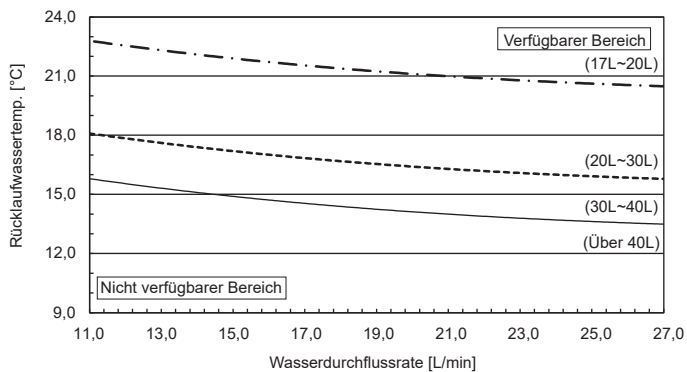


SUZ-SWM80VA(H)2

SUZ-SWM100VA(H)

SUZ-SHWM60VAH

Mindesttemperatur des Rücklaufwassers aufgrund der Wassermenge im System



#### Hinweis:

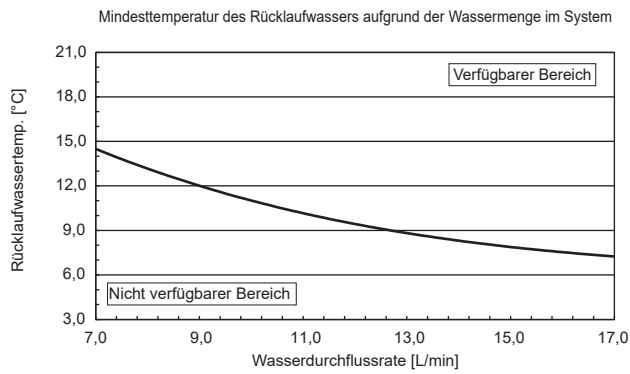
- Vermeiden Sie während des Abtauens unbedingt den nicht verfügbaren Bereich. Anderenfalls wird das Außengerät unzureichend abgetaut und/oder der Wärmetauscher des Innengeräts kann einfrieren.
- Die Durchflusstemperatur MUSS bei einer Außentemperatur unter  $-15^{\circ}\text{C}$  stets MINDESTENS  $32^{\circ}\text{C}$  betragen. Anderenfalls besteht die Gefahr, dass die Wärmetauscherplatte einfriert und beschädigt wird; auch kann aufgrund unzureichender Abtauung der Außenwärmetauscher einfrieren.



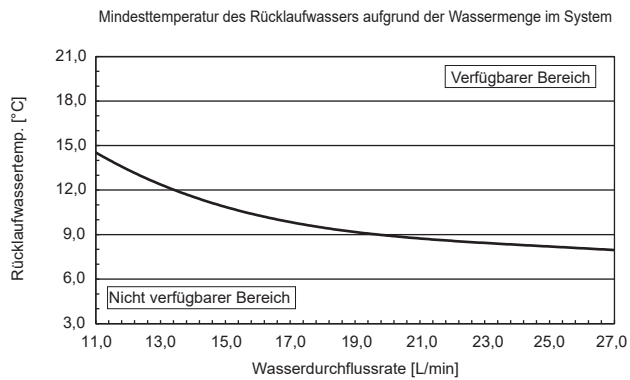
## 8. Wasserrohrarbeiten

### ■ Kühlen

SUZ-SWM30VA SUZ-SHWM30VAH  
SUZ-SWM40VA2 SUZ-SHWM40VAH  
SUZ-SWM60VA2



SUZ-SWM80VA(H)2  
SUZ-SWM100VA(H)  
SUZ-SHWM60VAH



#### Hinweis:

Vermeiden Sie während des Abtauens unbedingt den nicht verfügbaren Bereich.

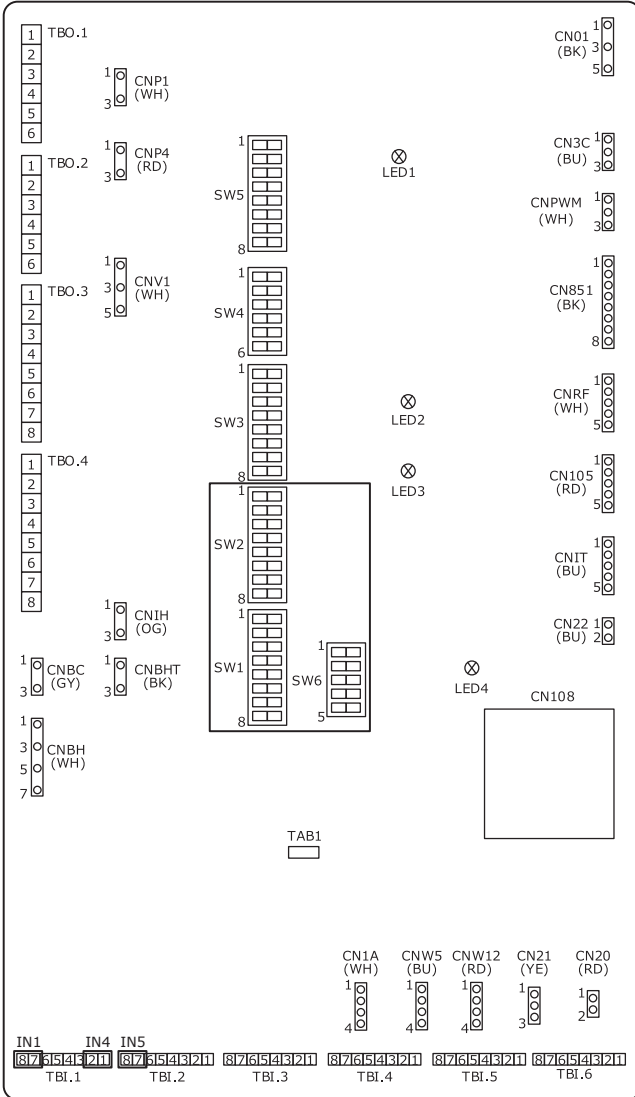
Anderenfalls wird das Außengerät unzureichend abgetaut und/oder der Wärmetauscher des Innengeräts kann einfrieren.

de

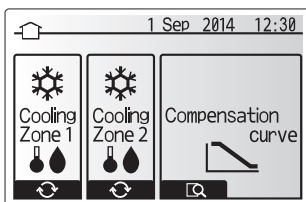
## 9. Leerpumpen

Wenn Sie die Außenanlage für eine Neuaufstellung oder Entsorgung abmontieren, pumpen Sie das System mit folgenden Bedienungsschritten leer, sodass kein Kühlmittel in die Atmosphäre gelangt.

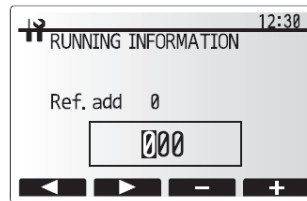
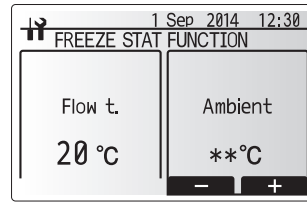
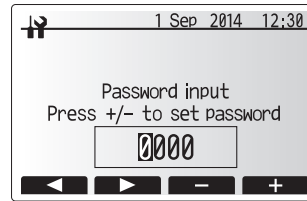
- ① UNTERBRECHEN Sie die Stromzufuhr (einschließlich Innengerät, Heizung, Außengerät usw.)
- ② Verbinden Sie das Unterdruckmesser-Rohrverzweigungsventil mit dem Wartungsanschluss des Absperrventils an der Gasrohr-Seite des Außengerätes.
- ③ Schließen Sie das Absperrventil auf der Flüssigkeitsrohr-Seite des Außengerätes vollständig.
- ④ Ändern Sie die Einstellungen am Innengerät.
  - Stellen Sie an der Steuerplatine des Innengeräts die DIP-Schalter SW1-3 auf OFF, SW2-1 auf OFF, SW2-4 auf ON und SW6-3 auf OFF.
  - Trennen Sie die Signaleingänge IN1 (Raumthermostateingang 1), IN4 (Anforderung-Steuerungseingang (Demand)) und IN5 (Außenthermostateingang).



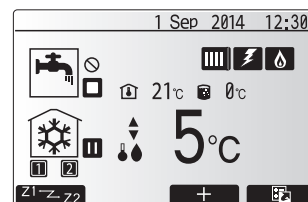
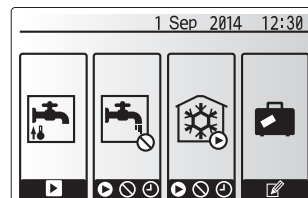
- ⑤ Schalten Sie die Stromversorgung EIN.
- ⑥ Wählen Sie im Hauptmenü am Hauptsteuergerät des Innengeräts „Heating/cooling mode“ → „Cooling flow temp.“.



- ⑦ Wählen Sie im Hauptmenü die Option „Service“ und ändern Sie die Einstellungen wie unten beschrieben. Sie werden aufgefordert, ein Passwort einzugeben. DAS WERKSSEITIG VORGEGEBENE PASSWORT ist „0000“.
  - Wählen Sie im Hauptmenü die Option „Operation settings“ → „Freeze stat function“ und stellen Sie dann die minimale Außenlufttemperatur auf \*(Sternchen) ein.
  - Wählen Sie „Running information“ und setzen Sie die Referenzadresse auf 351.



- ⑧ Führen Sie den Kältemittelsammelvorgang durch.
  - Drücken Sie die Taste „ON/OFF“ am Hauptsteuergerät.
  - Wählen Sie im Option-Menü den Eintrag „Cooling ON“.
  - Stellen Sie die Zieltemperatur für das Kältemittel auf 5 °C ein. Wenn die Anlage durch einen Raumthermostaten gesteuert wird, stellen Sie die Zieltemperatur des Raums auf 10 °C ein. Der Kältemittelsammelvorgang beginnt nach 60 Sekunden.
  - Details oder weitere Informationen über die Einstellungen am Hauptsteuergerät erhalten Sie in der Installationsanleitung oder der Bedienungsanleitung des Innengeräts.



Fortsetzung nächste Seite.

## 9. Leerpumpen

- ⑨ Schließen Sie das Absperrventil am seitlichen Gasrohr an der Außenanlage vollständig, wenn das Druckmessgerät einen Druck von 0,05 bis 0 MPa [Gauge] anzeigt (etwa 0,5 bis 0 kgf/cm<sup>2</sup>), und schalten Sie die Außenanlage sofort aus.
- Drücken Sie die Taste „ON/OFF“ an der Fernbedienung, um die Außenanlage auszuschalten.
  - \* Beachten Sie, dass bei langen Verlängerungsrohren und einer großen Kältemittelmenge möglicherweise kein Abpumpen durchgeführt werden kann. Verwenden Sie in diesem Fall eine Kältemittelsammelvorrichtung, um das gesamte Kältemittel im System zu sammeln.
- ⑩ Setzen Sie die im Schritt ⑨ weiter oben geänderte Einstellung wieder zurück.
- ⑪ Drücken Sie am Hauptsteuergerät des Innengeräts die Taste „ON/OFF“ etwa 3 Sekunden lang, um das Gerät zu stoppen.
- ⑫ Setzen Sie die Einstellungen am Hauptsteuergerät zurück, die Sie in anderen Schritten als ⑨ geändert hatten.
- \* So setzen Sie „Running information“ zurück: Referenzadresse auf 350 zurücksetzen.
- ⑬ Schalten Sie die gesamte Stromversorgung AUS, und stellen Sie die DIP-Schalter an der Platine des Innengeräts wieder so ein, wie sie vorher waren.
- ⑭ Entfernen Sie das Gasventil des Rohrverteilers, und trennen Sie dann die Kältemittelleitungen.

### **WARNUNG:**

Wenn der Kältemittelkreislauf ein Leck aufweist, NICHT mit dem Kompressor abpumpen.  
Schalten Sie beim Abpumpen des Kältemittels den Kompressor ab, bevor die Kältemittelleitungen getrennt werden.

- Wenn die Kältemittelleitungen bei laufendem Kompressor getrennt werden und das Absperrventil (Kugelventil) geöffnet ist, könnte der Druck im Kältemittelkreislauf extrem hoch werden, wenn Luft angesaugt wird, sodass die Leitungen platzen, Personen verletzt werden usw.

### **VORSICHT:**

Verwenden Sie diesen Kühlmodus für KEINE anderen Zwecke als zum Abpumpen, wenn eine Verbindung zu einem Innengerät besteht, das den Kühlmodus nicht zulässt.

## 10. Technische Daten

Außenanlage		SUZ-SWM30VA	SUZ-SHWM30VAH	SUZ-SWM40VA2	SUZ-SHWM40VAH	SUZ-SWM60VA2
Stromversorgung	V / Phase / Hz	230 / Einzeln / 50				
Abmessungen (B × H × T)	mm	800 × 714 × 285				
Schalleistungspegel (Heizen)	*1 dB(A)	57	57	57	58	60
	*2 dB(A)	54	54	54	55	56

Außenanlage		SUZ-SHWM60VAH	SUZ-SWM80VA(H)2	SUZ-SWM100VA(H)
Stromversorgung	V / Phase / Hz	230 / Einzeln / 50		
Abmessungen (B × H × T)	mm	840 × 880 × 330		
Schalleistungspegel (Heizen)	*1 dB(A)	60	60	62
	*2 dB(A)	58	59	60

\*1. Gemessen bei angegebener Betriebsfrequenz bei einer Umgebungstemperatur von 7 °C Trockenkugelttemperatur/6 °C Feuchtkugelttemperatur und einer Wasserauslasstemperatur von 55 °C

\*2. Gemessen nach EN12102 unter den Bedingungen der EN14825

EU DECLARATION OF CONFORMITY  
EU-KONFORMITÄTSEKTLÄRUNG  
DÉCLARATION DE CONFORMITÉ UE  
EU-CONFORMITEITSVERKLARING  
DECLARACIÓN DE CONFORMIDAD UE  
DICHIARAZIONE DI CONFORMITÀ UE  
ΔΗΛΩΣΗ ΣΥΜΜΟΡΦΩΣΗΣ ΕΕ  
DECLARAÇÃO DE CONFORMIDADE UE  
EU-OVERENSSTEMMELSESEKTLÆRING

EG-DEKLARATION OM ÖVERENSSTÄMMELSE  
AV UYGUNLUK BEYAN  
ДЕКЛАРАЦИЯ СООТВЕТСТВИЯ НОРМАМ ЕС  
ДЕКЛАРАЦІЯ ВІДПОВІДНОСТІ ВИМОГАМ ЄС  
ЕС ДЕКЛАРАЦІЯ ЗА СЪОТВЕТСТВИЕ  
DEKLARACJA ZGODNOŚCI UE  
EU-ERKLÆRING OM SAMSVAR  
EU-VAATIMUSTENMUKAISUUSVAKUUTUS  
EU PROHLÁŠENÍ O SHODĚ

EU VYHLÁŠENIE O ZHODE  
EU MEGFELELŐSÉGI NYILATKOZAT  
IZJAVA EU O SKLADNOSTI  
DECLARAȚIE DE CONFORMITATE UE  
EL-I VASTAVUSDEKLARATSIOON  
ES ATBILSTĪBAS DEKLARĀCIJA  
ES ATITIKTIES DEKLARACIJA  
EU IZJAVA O SUKLADNOSTI  
EU IZJAVA O USAGLAŠENOSTI

**MITSUBISHI ELECTRIC CONSUMER PRODUCTS (THAILAND) CO., LTD**  
**700/406 MOO 7, TAMBON DON HUA ROH, AMPHUR MUANG, CHONBURI 20000, THAILAND**

hereby declares under its sole responsibility that the air conditioner(s) and heat pump(s) for use in residential, commercial, and light-industrial environments described below:  
erklärt hiermit auf seine alleinige Verantwortung, dass die Klimaanlage(n) und Wärmepumpe(n) für das häusliche, kommerzielle und leichtindustrielle Umfeld wie unten beschrieben:  
déclare par la présente et sous sa propre responsabilité que le(s) climatiseur(s) et la/les pompe(s) à chaleur destinés à un usage dans des environnements résidentiels, commerciaux et d'industrie légère décrits ci-dessous :  
verklaart hierbij onder eigen verantwoordelijkheid dat de voor huishoudelijke, handels- en lichtindustriële omgevingen bestemde airconditioner(s) en warmtepomp(en) zoals onderstaand beschreven:

por la presente declara, bajo su exclusiva responsabilidad, que el(los) acondicionador(es) de aire y la(s) bomba(s) de calor previsto(s) para su uso en entornos residenciales, comerciales y de industria ligera que se describen a continuación:

conferma con la presente, sotto la sua esclusiva responsabilità, che i condizionatori d'aria e le pompe di calore destinati all'utilizzo in ambienti residenziali, commerciali e semi-industriali e descritti di seguito:

με το παρόν δηλώνει με αποκλειστική ευθύνη ότι το ή τα κλιματιστικά και η ή οι αντλίες θερμότητας για χρήση σε οικιακά, εμπορικά και επαγγελματικά περιβάλλοντα που περιγράφονται παρακάτω:

declara pela presente, e sob sua exclusiva responsabilidade, que o(s) aparelho(s) de ar condicionado e a(s) bomba(s) de calor destinados a utilização em ambientes residenciais, comerciais e de indústria ligeira descritos em seguida:

erklærer hermed under eneansvar, at det/de herunder beskrevne airconditionanlæg og varmepumpe(r) til brug i beboelses- og erhvervs miljøer samt i miljøer med let industri:

intyggar härmed att luftkonditioneringarna och värmepumparna som beskrivs nedan för användning i bostäder, kommersiella miljöer och lätta industriella miljöer:

ev, ticaret ve hafif sanayi ortamlarında kullanıma yönelik aşağıda açıklanan klima ve ısıtma pompalarıyla ilgili aşağıdaki hususları yalnızca kendi sorumluluğunda olmak üzere beyan eder:

настоящим заявляет под свою исключительную ответственность, что кондиционер (-ы) и тепловой (-ые) насос (-ы) для использования в описанных ниже жилых, коммерческих и небольших складских и промышленных помещениях:

цим заявляю, беручи на себе повну відповідальність за це, що кондиціонер (-и) й тепловий (-и) насос (-и), описані нижче й призначені для використання в житлових приміщеннях, торговельних залах і на підприємствах легкої промисловості:

декларира с настоящата на своя собствена отговорност, че климатикъ(те) и термомпата(ите), посочени по-долу и предназначени за употреба в жилищни, търговски и лекопромишлени среди:

niniejszym oświadczam na swoją wyłączną odpowiedzialność, że klimatyzatory i pompy ciepła do zastosowań w środowisku mieszkalnym, handlowym i lekko przemysłowym opisane poniżej:

erklærer et fullstendig ansvar for undernevnte klimaapparat og varmepumper ved bruk i boliger, samt kommersielle og lettindustrielle miljøer:

vakuuttaa täten yksinomaista vastuutaan, että jäljempänä kuvutat asuinrakennuksiin, pientaloisuuskäyttöön ja kaupalliseen käyttöön tarkoitettuihin ilmastointilaitteisiin ja lämpöpumput:

tímto na vlastní odpovědnost prohlašuje, že níže popsané klimatizační jednotky a tepelná čerpadla pro použití v obytných prostředích, komerčních prostředích a prostředích lehkého průmyslu:

týmto na svoju výlučnú zodpovednosť vyhlasuje, že nasledovné klimatizačné jednotky a tepelné čerpadlá určené na používanie v obytných a obchodných priestoroch a v prostredí ľahkého priemyslu:

alulírott kizárólagos felelősségére nyilatkozik, hogy az alábbi lakossági, kereskedelmi és kisipari környezetben való használatra szánt klímaberendezés(ek) és hőszivattyú(k):

na lastno odgovornost izjavlja, da so spodaj opisane klimatske naprave in toplotne črpalke, namenjene za uporabo v stanovanjskih, poslovnih in lahkoindustrijskih okoljih:

declară prin prezenta, pe proprie răspundere, faptul că aparatele de climatizare și pompele de căldură descrise mai jos și destinate utilizării în medii rezidențiale, comerciale și din industria ușoară:

kinnitab oma ainuvastutusest, et allpool toodud elu-, äri- ja kergtööstuskeskkondades kasutamiseks mõeldud kliimaseadmed ja soojuspumbad:

ar šo, vienpersoniski uzņemoties atbildību, paziņo, ka tālāk aprakstītais(-tie) gaisa kondicionētājs(-i) un siltumsūkņis(-i) ir paredzēti lietošanai dzīvojamajās, komercdarbības un vieglās rūpniecības telpās, kas aprakstītas tālāk:

šiuo vien tik savo atsakomybe pareiškia, kad toliau apibūdintas (-i) oro kondicionierius (-iai) ir šilumos siurblys (-iai), skirtas (-i) naudoti toliau apibūdintose gyvenamosiose, komercinėse ir lengvosios pramonės aplinkose:

ovime izjavljuje pod isključivom odgovornošću da je/su klimatizacijski uređaji(i) i toplinska dizalica(e) opisan(i) u nastavku namijenjen(i) za upotrebu u stambenim i poslovnim okruženjima te okruženjima lake industrije:

ovim izjavljuje na svoju isključivu odgovornost da su klima-uređaji i toplotne pumpe za upotrebu u stambenim, komercijalnim okruženjima i okruženjima lake industrije opisani u nastavku:

**MITSUBISHI ELECTRIC, SUZ-SWM30VA\*, SUZ-SWM40VA\*, SUZ-SWM60VA\*, SUZ-SWM80VA\*, SUZ-SWM100VA\***  
**SUZ-SHWM30VAH\*, SUZ-SHWM40VAH\*, SUZ-SHWM60VAH\*, SUZ-SWM80VAH\*, SUZ-SWM100VAH\***  
**\* : , , 1, 2, 3, . . . , 9**

is/are in conformity with provisions of the following Union harmonisation legislation.  
die Bestimmungen der folgenden Harmonisierungsrechtsvorschriften der Union erfüllen/

erfüllen.  
est/sont conforme(s) aux dispositions de la législation d'harmonisation de l'Union

suivante.  
voldoet/voldoen aan bepalingen van de volgende harmonisatiewetgeving van de Unie.

cumple(n) con las disposiciones de la siguiente legislación de armonización de la Unión.

sono in conformità con le disposizioni della seguente normativa dell'Unione sull'armonizzazione.

συμμορφώνονται με τις διατάξεις της ακόλουθης νομοθεσίας εναρμόνισης της Ένωσης.

está/estão em conformidade com as disposições da seguinte legislação de harmonização da União.

er i overensstemmelse med bestemmelse i følgende harmoniserede EU-lovgivning.

uppfyller villkoren i följande harmoniserade föreskrifter inom unionen.

აşağıdaki Avrupa Birliği uyumlaştırma mevzuatının hükümlerine uygundur.

соответствуют положениям следующих законодательных актов Союза о гармонизации.

2014/35/EU: Low Voltage Directive  
2006/42/EC: Machinery Directive  
2014/30/EU: Electromagnetic Compatibility Directive  
2011/65/EU, (EU) 2015/863 and (EU) 2017/2102: RoHS Directive  
2009/125/EC: Energy-related Products Directive and Regulation (EU) No 813/2013

відповідають положенням вказаного далі законодавства Союзу щодо гармонізації.  
е/са в съответствие с разпоредбите на следното законодателство на Съюза за

хармонизация.  
są zgodne z przepisami następującego unijnego prawodawstwa harmonizacyjnego.

er i samsvar med forskriftene til følgende EU-lovgivning om harmonisering.

ovat seuraavan unionin yhdenmukaistamislainsäädännön säännösten mukaisia.

jsou v souladu s ustanoveními následujících harmonizačních právních předpisů Unie.

spĺňajú ustanovenia nasledujúcich harmonizovaných noriem EÚ.

megfelel(nek) az Unió alábbi harmonizációs jogszabályi előírásainak.

v skladu z določbami naslednje usklajevalne zakonodaje Unije.

sunt în conformitate cu dispozițiile următoare legislații de armonizare a Uniunii.

vastavad järgmiste Euroopa Liidu ühtlustatud õigusaktide sätetele.

atbilst šādiem ES harmonizētājiem tiesību aktu noteikumiem.

taip pat atitinka kitų toliau išvardytų suderintųjų Sąjungos direktyvų nuostatas.

sukladan(i) odredbama sljedećeg zakonodavstva Unije za sukladnost.

u skladu sa odredbama sledećeg usklađivanja zakonodavstva Unije.

## <ENGLISH>

English is original. The other languages versions are translation of the original.

### ▲ CAUTION

- Refrigerant leakage may cause suffocation. Provide ventilation in accordance with EN378-1.
- Be sure to wrap insulation around the piping. Direct contact with the bare piping may result in burns or frostbite.
- Never put batteries in your mouth for any reason to avoid accidental ingestion.
- Battery ingestion may cause choking and/or poisoning.
- Install the unit on a rigid structure to prevent excessive operation sound or vibration.
- The A-weighted sound pressure level is below 70dB.
- This appliance is intended to be used by expert or trained users in shops, in light industry and on farms, or for commercial use by lay persons.

## <DEUTSCH>

Das Original ist in Englisch. Die anderen Sprachversionen sind vom Original übersetzt.

### ▲ VORSICHT

- Wenn Kältemittel austritt, kann dies zu Ersticken führen. Sorgen Sie in Übereinstimmung mit EN378-1 für Durchlüftung.
- Die Leitungen müssen isoliert werden. Direkter Kontakt mit nicht isolierten Leitungen kann zu Verbrennungen oder Erfrierungen führen.
- Nehmen Sie niemals Batterien in den Mund, um ein versehentliches Verschlucken zu vermeiden.
- Durch das Verschlucken von Batterien kann es zu Erstickungen und/oder Vergiftungen kommen.
- Installieren Sie das Gerät auf einem stabilen Untergrund, um übermäßige Betriebsgeräusche oder -schwingungen zu vermeiden.
- Der A-gewichtete Schalldruckpegel ist niedriger als 70dB.
- Dieses Gerät ist vorgesehen für die Nutzung durch Fachleute oder geschultes Personal in Werkstätten, in der Leichtindustrie und in landwirtschaftlichen Betrieben oder für die kommerzielle Nutzung durch Laien.

## <FRANÇAIS>

L'anglais est l'original. Les versions fournies dans d'autres langues sont des traductions de l'original.

### ▲ PRECAUTION

- Une fuite de réfrigérant peut entraîner une asphyxie. Fournissez une ventilation adéquate en accord avec la norme EN378-1.
- Assurez-vous que la tuyauterie est enveloppée d'isolant. Un contact direct avec la tuyauterie nue peut entraîner des brûlures ou des engelures.
- Ne mettez jamais des piles dans la bouche pour quelque raison que ce soit pour éviter de les avaler par accident.
- Le fait d'ingérer des piles peut entraîner un étouffement et/ou un empoisonnement.
- Installez l'appareil sur une structure rigide pour prévenir un bruit de fonctionnement et une vibration excessifs.
- Le niveau de pression acoustique pondéré est en dessous de 70 dB.
- Cet appareil est conçu pour un utilisateur expert ou les utilisateurs formés en magasin, dans l'industrie légère et dans l'agriculture ou dans le commerce par le profane.

## <NEDERLANDS>

Het Engels is het origineel. De andere taalversies zijn vertalingen van het origineel.

### ▲ VOORZICHTIG

- Het lekken van koelvloeistof kan verstikking veroorzaken. Zorg voor ventilatie in overeenstemming met EN378-1.
- Isoleer de leidingen met isolatiemateriaal. Direct contact met de onbedekte leidingen kan leiden tot brandwonden of bevriezing.
- Stop nooit batterijen in uw mond om inslikking te voorkomen.
- Het inslikken van batterijen kan verstikking of vergiftiging veroorzaken.
- Installeer het apparaat op een stabiele structuur om overmatig lawaai of trillingen te voorkomen.
- Het niveau van de geluidsdruk ligt onder 70 dB(A).
- Dit apparaat is bedoeld voor gebruik door ervaren of opgeleide gebruikers in werkplaatsen, in de lichte industrie en op boerderijen, of voor commercieel gebruik door leken.

## <ESPAÑOL>

El idioma original del documento es el inglés. Las versiones en los demás idiomas son traducciones del original.

### ▲ CUIDADO

- Las pérdidas de refrigerante pueden causar asfixia. Se debe proporcionar la ventilación determinada en EN378-1.
- Asegúrese de colocar el aislante alrededor de las tuberías. El contacto directo con la tubería puede ocasionar quemaduras o congelación.
- Para evitar una ingestión accidental, no coloque las pilas en su boca bajo ningún concepto.
- La ingestión de las pilas puede causar asfixia y/o envenenamiento.
- Coloque la unidad en una estructura rígida para evitar que se produzcan sonidos o vibraciones excesivos debidos a su funcionamiento.
- El nivel de presión acústica ponderado A es inferior a 70 dB.
- Este aparato está destinado a su uso por parte de usuarios expertos o capacitados en talleres, industrias ligeras y granjas, o a su uso comercial por parte de personas no expertas.

## <ITALIANO>

Il testo originale è redatto in lingua Inglese. Le altre versioni linguistiche rappresentano traduzioni dell'originale.

### ▲ ATTENZIONE

- Le perdite di refrigerante possono causare asfissia. Prevedere una ventilazione adeguata in conformità con la norma EN378-1.
- Accertarsi di applicare materiale isolante intorno alle tubature. Il contatto diretto con le tubature non schermate può provocare ustioni o congelamento.
- Non introdurre in nessun caso le batterie in bocca onde evitare ingestioni accidentali.
- L'ingestione delle batterie può provocare soffocamento e/o avvelenamento.
- Installare l'unità su una struttura rigida in modo da evitare rumore o vibrazioni eccessivi durante il funzionamento.
- Il livello di pressione del suono ponderato A è inferiore a 70dB.
- Questa apparecchiatura è destinata all'utilizzo da parte di utenti esperti o addestrati in negozi, industria leggera o fattorie oppure a un uso commerciale da parte di persone non esperte.

## <ΕΛΛΗΝΙΚΑ>

Η γλώσσα του πρωτοτύπου είναι η αγγλική. Οι εκδόσεις άλλων γλωσσών είναι μεταφράσεις του πρωτοτύπου.

### ▲ ΠΡΟΣΟΧΗ

- Η διαρροή του ψυκτικού ενδέχεται να προκαλέσει ασφυξία. Φροντίστε για τον εξαερισμό σύμφωνα με το πρότυπο EN378-1.
- Φροντίστε να τυλίξετε με μονωτικό υλικό τη σωλήνωση. Η απευθείας επαφή με τη γυμνή σωλήνωση ενδέχεται να προκαλέσει εγκαύματα ή κρυοπαγήματα.
- Μη βάζετε ποτέ τις μπαταρίες στο στόμα σας για κανένα λόγο ώστε να αποφύγετε την κατά λάθος κατάποσή τους.
- Η κατάποση μπαταριών μπορεί να προκαλέσει πνιγμό ή/και δηλητηρίαση.
- Εγκαταστήστε τη μονάδα σε σταθερή κατασκευή ώστε να αποφύγετε τον έντονο ήχο λειτουργίας ή τους κραδασμούς.
- Η Α-σταθμισμένη στάθμη ηχητικής πίεσης είναι κάτω των 70dB.
- Η Α-σταθμισμένη στάθμη ηχητικής πίεσης είναι κάτω των 70dB.
- Η συσκευή αυτή προορίζεται για χρήση από εμπειροπρόσωπους ή εκπαιδευμένους χρήστες σε καταστήματα, στην ελαφριά βιομηχανία και σε αγροκτήματα, ή για εμπορική χρήση από άτομα τα οποία δεν είναι ειδήμονες.

## <PORTUGUÊS>

O idioma original é o inglês. As versões em outros idiomas são traduções do idioma original.

### ▲ CUIDADO

- A fuga de refrigerante pode causar asfixia. Garanta a ventilação em conformidade com a norma EN378-1.
- Certifique-se de que envolve as tubagens com material de isolamento. O contacto directo com tubagens não isoladas pode resultar em queimaduras ou ulcerações provocadas pelo frio.
- Nunca coloque pilhas na boca, por nenhum motivo, para evitar a ingestão accidental.
- A ingestão de uma pilha pode causar obstrução das vias respiratórias e/ou envenenamento.
- Instale a unidade numa estrutura robusta, de forma a evitar ruídos ou vibrações excessivos durante o funcionamento.
- O nível de pressão sonora ponderado A é inferior a 70 dB.
- Este equipamento destina-se a ser utilizado por especialistas ou utilizadores com formação em lojas, na indústria ligeira e em quintas, ou para utilização comercial por leigos.

## <DANSK>

Engels er originalen. De andre sprogversioner er oversættelser af originalen.

### ▲ FORSIGTIG

- Lækage af kølemiddel kan forårsage kvælning. Sørg for udluftning i overensstemmelse med EN378-1.
- Sørg for at pakke rørene ind i isolering. Direkte kontakt med ubeklædte rør kan forårsage forbrændinger eller forfrysninger.
- Batterier må under ingen omstændigheder tages i munden for at forhindre utilsigtet indtagelse.
- Indtagelse af batterier kan forårsage kvælning og/eller forgiftning.
- Installer enheden på en fast struktur for at forhindre for høje driftslyde eller vibrationer.
- Det A-vægtede lydtrykniveau er under 70dB.
- Dette apparat er beregnet til at blive brugt af eksperter eller udlærte brugere i butikker, inden for let industri og på gårde eller til kommerciel anvendelse af lægmænd.

## <SVENSKA>

Engelska är originalspråket. De övriga språkversionerna är översättningar av originalet.

### ▲ FÖRSIKTIGHET

- Köldmedelsläckage kan leda till kvävning. Tillhandahåll ventilation i enlighet med EN378-1.
- Kom ihåg att linda isolering runt rören. Direktkontakt med bara rör kan leda till brännskador eller köldskador.
- Stoppa aldrig batterier i munnen, de kan sväljas av misstag.
- Om ett batteri sväljs kan det leda till kvävning och/eller förgiftning.
- Montera enheten på ett stadigt underlag för att förhindra höga driftljud och vibrationer.
- Den A-vägdade ljudtrycksnivån är under 70dB.
- Denna apparat är ämnad för användning av experter eller utbildade användare i affärer, inom lätt industri och på lanbruk, eller för kommersiell användning av lekmän.

## <TÜRKÇE>

Aslı İngilizce'dir. Diğer dillerdeki sürümler aslının çevirisidir.

### ▲ DİKKAT

- Soğutucu kaçağı boğulmaya neden olabilir. EN378-1 uyarınca uygun havalandırma sağlayın.
- Borular etrafına yalıtım yapıldığından emin olun. Borulara doğrudan çıplak elle dokunulması yanıklara veya soğuk ısırıklarına neden olabilir.
- Kazara yutmamak için, pilleri kesinlikle hiçbir amaçla ağzınızda tutmayın.
- Pillerin yutulması boğulmaya ve/veya zehirlenmeye yol açabilir.
- Aşırı çalıma seslerini veya titreşimi önlemek için, üniteyi sağlam bir yapı üzerine monte edin.
- A ağırıklı ses gücü seviyesi 70dB'nin altındadır.
- Bu cihaz tıbbiyleerde, hafif endüstriyel tesislerde ve çiftliklerde uzman veya eğitimli kullanıcılar tarafından kullanılmak üzere veya normal kullanıcılar tarafından ticari kullanım için tasarlanmıştır.

## <РУССКИЙ>

Языком оригинала является английский. Версии на других языках являются переводом оригинала.

### ▲ ОСТОРОЖНО

- Утечка хладагента может стать причиной удушья. Обеспечьте вентиляцию в соответствии с EN378-1.
- Обязательно оберните трубы изоляционным материалом. Непосредственный контакт с неизолированным трубопроводом может привести к ожогам или обморожению.
- Запрещается класть элементы питания в рот по каким бы то ни было причинам во избежание случайного проглатывания.
- Попадание элемента питания в пищеварительную систему может стать причиной удушья и/или отравления.
- Устанавливайте устройство на жесткую структуру во избежание чрезмерного шума или чрезмерной вибрации во время работы.
- Уровень звукового давления по шкале A не превышает 70 дБ.
- Данное устройство предназначено для использования специалистами или обученным персоналом в магазинах, на предприятиях легкой промышленности и фермах или для коммерческого применения не-профессионалами.

## <УКРАЇНСЬКА>

Переклад оригіналу. Текст іншими мовами є перекладом оригіналу.

### ▲ ОБЕРЕЖНО

- Виток холодагента може призвести до удушся. Необхідно забезпечити вентиляцію відповідно до стандарту EN 378-1.
- Труби необхідно обмотати ізоляційним матеріалом. Прямий контакт із непокритою трубою може призвести до опіку або обмороження.
- Забороняється класти елементи живлення в рот із будь-яких причин, оскільки є ризик випадково їх проковтнути.
- Попадання елемента живлення в травну систему може стати причиною задхуки та/або отруєння.
- Встановлюйте блок на міцній конструкції, щоб уникнути надмірного рівня звуку роботи або вібрації.
- Рівень амплітудно зваженого акустичного тиску становить нижче 70 дБ.
- Цей прилад призначається для використання спеціалістами або особами, що пройшли відповідне навчання, у кранницях, легкій промисловості та сільськогосподарських підприємствах, а також для комерційного використання неспеціалістами.

## <БЪЛГАРСКИ>

Оригиналът е текстът на английски език. Версиите на други езици са преводи на оригинала.

### ▲ ВНИМАНИЕ

- Изтичането на хладилен агент може да причини задушаване. Осигурете вентилация съобразно с EN378-1.
- Не забравяйте да уветите изолация около тръбите. Директният контакт с оголени тръби може да причини изгаряне или измръзване.
- При никакви обстоятелства не поставяйте батериите в устата си, за да не ги поглънете по невнимание.
- Това може да доведе до задушаване и/или натравяне.
- Монтирайте тялото върху твърда конструкция, за да предотвратите прекомерен шум или вибрации по време на работа.
- А-претегленото ниво на звуково налягане е под 70 dB.
- Този уред е предназначен за използване от експерти или обучени потребители в магазини, в леката промисленост и във ферми, или за търговска употреба от неспециалисти.



Please be sure to put the contact address/telephone number on this manual before handing it to the customer.

**mitsubishi** **ELECTRIC CORPORATION**

HEAD OFFICE: TOKYO BUILDING, 2-7-3, MARUNOUCHI, CHIYODA-KU, TOKYO 100-8310, JAPAN

# Air to Water Heat Pump SUZ-SWM·VA(H) series SUZ-SHWM·VAH series

INSTALLATION MANUAL	FOR INSTALLER	English
INSTALLATIONSHANDBUCH	FÜR INSTALLATEURE	Deutsch
MANUEL D'INSTALLATION	POUR L'INSTALLATEUR	Français
INSTALLATIEHANDLEIDING	VOOR DE INSTALLATEUR	Nederlands
MANUAL DE INSTALACIÓN	PARA EL INSTALADOR	Español
MANUALE DI INSTALLAZIONE	PER L'INSTALLATORE	Italiano
ΕΓΧΕΙΡΙΔΙΟ ΟΔΗΓΙΩΝ ΕΓΚΑΤΑΣΤΑΣΗΣ	ΓΙΑ ΑΥΤΟΝ ΠΟΥ ΚΑΝΕΙ ΤΗΝ ΕΓΚΑΤΑΣΤΑΣΗ	Ελληνικά
MANUAL DE INSTALAÇÃO	PARA O INSTALADOR	Português
INSTALLATIONSMANUAL	TIL INSTALLATØREN	Dansk
INSTALLATIONSMANUAL	FÖR INSTALLATÖREN	Svenska
MONTAJ ELKİTABI	MONTÖR İÇİN	Türkçe
РУКОВОДСТВО ПО УСТАНОВКЕ	ДЛЯ УСТАНОВИТЕЛЯ	Русский
ПОСІБНИК З УСТАНОВЛЕННЯ	ДЛЯ СПЕЦІАЛІСТА З МОНТАЖУ	Українська
РЪКОВОДСТВО ЗА МОНТАЖ	ЗА МОНТАЖНИКА	Български
INSTRUKCJA MONTAŻU	DLA INSTALATORA	Polski
INSTALLASJONSHÅNDBOK	FOR MONTØR	Norsk
ASENNUSOPAS	ASENTAJALLE	Suomi
INSTALAČNÍ PŘÍRUČKA	PRO MONTÁŽNÍ PRACOVNÍKY	Čeština
NÁVOD NA INŠTALÁCIU	PRE MONTÉRA	Slovenčina
TELEPÍTÉSI KÉZIKÖNYV	A TELEPÍTŐ RÉSZÉRE	Magyar
NAMESTITVENI PRIROČNIK	ZA MONTERJA	Slovenščina
MANUAL DE INSTALARE	PENTRU INSTALATOR	Română
PAIGALDUSJUHEND	PAIGALDAJALE	Eesti
MONTĀŽAS ROKASGRĀMATA	UZSTĀDĪŠANAS SPECIĀLISTAM	Latviski
MONTAVIMO VADOVAS	SKIRTA MONTUOTOJUI	Lietuviškai
PRIRUČNIK ZA POSTAVLJANJE	ZA INSTALATERA	Hrvatski
UPUTSTVO ZA UGRADNJU	ZA MONTERA	Srpski



1. Consignes de sécurité	1	6. Installations électriques	9
2. Choisir l'emplacement de l'installation	3	7. Entretien	10
3. Schéma d'installation	5	8. Pose des tuyauteries d'eau	11
4. Tuyaux de vidange de l'appareil extérieur	5	9. Purge	13
5. Mise en place des tuyaux de réfrigérant	6	10. Caractéristiques techniques	14



**Remarque: Ce symbole est utilisé uniquement pour les pays de l'UE.**  
**Ce symbole est conforme à la directive 2012/19/UE Article 14 Informations pour les utilisateurs et à l'Annexe IX.**  
 Votre produit Mitsubishi Electric est conçu et fabriqué avec des matériels et des composants de qualité supérieure qui peuvent être recyclés et réutilisés.  
 Ce symbole signifie que les équipements électriques et électroniques, à la fin de leur durée de service, doivent être éliminés séparément des ordures ménagères.  
 Nous vous prions donc de confier cet équipement à votre centre local de collecte/recyclage.  
 Dans l'Union Européenne, il existe des systèmes sélectifs de collecte pour les produits électriques et électroniques usagés.  
 Aidez-nous à conserver l'environnement dans lequel nous vivons !

## ⚠ PRÉCAUTION :

- Ne libérez pas le R32 dans l'atmosphère.

## 1. Consignes de sécurité

- ▶ Avant d'installer le climatiseur, lire attentivement toutes les "Consignes de sécurité".
- ▶ Veuillez consulter ou obtenir la permission votre compagnie d'électricité avant de connecter votre système.

## ⚠ AVERTISSEMENT :

Précautions à suivre pour éviter tout danger de blessure ou de décès de l'utilisateur.

## ⚠ PRÉCAUTION :

Décrit les précautions qui doivent être prises pour éviter d'endommager l'appareil.

Une fois l'installation terminée, expliquer les "Consignes de sécurité", l'utilisation et l'entretien de l'appareil au client conformément aux informations du mode d'emploi et effectuer l'essai de fonctionnement en continu pour garantir un fonctionnement normal. Le manuel d'installation et le mode d'emploi doivent être fournis à l'utilisateur qui doit les conserver. Ces manuels doivent également être transmis aux nouveaux utilisateurs.

⚡ : Indique un élément qui doit être mis à la terre.

## ⚠ AVERTISSEMENT :

Prendre soin de lire les étiquettes se trouvant sur l'appareil principal.

Ⓢ : Indique des avertissements et des conseils de prudence concernant l'utilisation du réfrigérant R32.

## SIGNIFICATION DES SYMBOLES AFFICHÉS SUR L'UNITÉ INTERNE ET/OU SUR L'UNITÉ EXTERNE

	<b>AVERTISSEMENT</b> (Risque d'incendie)	Ce symbole est utilisé uniquement pour le réfrigérant R32. Le type de réfrigérant est indiqué sur la plaque signalétique de l'appareil extérieur. Si le type de réfrigérant est le R32, cet appareil utilise un réfrigérant inflammable. Si le réfrigérant fuit et entre en contact avec une flamme ou une pièce chaude, il produira un gaz toxique et un incendie risque de se déclencher.
	Veuillez lire le MANUEL D'INSTALLATION avec soin avant utilisation.	
	Le personnel d'entretien est tenu de lire avec soin le MANUEL D'UTILISATION et le MANUEL D'INSTALLATION avant utilisation.	
	De plus amples informations sont disponibles dans le MANUEL D'UTILISATION, le MANUEL D'INSTALLATION et documents similaires.	

## ⚠ AVERTISSEMENT :

- L'appareil ne doit pas être installé par l'utilisateur. Contacter un revendeur ou un technicien agréé pour installer et réparer le climatiseur. Si l'appareil n'est pas correctement installé, des fuites d'eau, des chocs électriques ou des incendies peuvent se produire.
- Pour l'installation et le déplacement, respecter les instructions du manuel d'installation et utiliser des outils et des composants de tuyau spécialement conçus pour une utilisation avec le réfrigérant R32. Si des composants de tuyau non adaptés au réfrigérant R32 sont utilisés et si l'appareil n'est pas correctement installé, les tuyaux peuvent éclater et provoquer des dommages ou des blessures. Des fuites d'eau, des chocs électriques et des incendies peuvent également se produire.
- L'appareil doit être installé conformément aux instructions pour réduire les risques de dommages liés à des tremblements de terre, des typhons ou des vents violents. Une installation incorrecte peut entraîner la chute de l'appareil et provoquer des dommages ou des blessures.
- L'appareil doit être solidement installé sur une structure pouvant supporter son poids. Si l'appareil est fixé sur une structure instable, il risque de tomber et de provoquer des dommages ou des blessures.
- Si la pompe thermique air/eau est installée dans une petite pièce, certaines mesures doivent être prises pour éviter que la concentration de réfrigérant dans la pièce ne dépasse le seuil de sécurité en cas de fuite. Consulter un revendeur pour obtenir les mesures adéquates et ainsi éviter de dépasser la concentration autorisée. En cas de fuite de réfrigérant et de dépassement du seuil de concentration, des risques liés au manque d'oxygène dans la pièce peuvent survenir.
- Aérer la pièce en cas de fuite de réfrigérant lors de l'utilisation. Le contact du réfrigérant avec une flamme peut provoquer des émanations de gaz toxiques.
- Toutes les installations électriques doivent être effectuées par un technicien qualifié conformément aux réglementations locales et aux instructions fournies dans ce manuel. Les appareils doivent être alimentés par des lignes électriques adaptées. Utiliser la tension correcte et des coupe-circuits. Des lignes électriques de capacité insuffisante ou des installations électriques incorrectes peuvent provoquer un choc électrique ou un incendie.
- Utiliser le cuivre phosphoreux C1220, pour des tuyaux sans soudure en cuivre et en alliage de cuivre, pour raccorder les tuyaux de réfrigérant. Si les tuyaux ne sont pas correctement raccordés, la mise à la terre de l'appareil ne sera pas conforme et des chocs électriques peuvent se produire.
- Cet appareil est conçu pour être utilisé par des utilisateurs experts ou spécialement formés dans des ateliers, dans l'industrie légère ou des exploitations agricoles, ou pour une utilisation commerciale par des non-spécialistes.
- N'utiliser que les câbles spécifiés pour les raccordements. Les raccordements doivent être réalisés correctement sans tension sur les bornes. Ne jamais effectuer de jonction sur les câbles (sauf en cas d'indications contraires). Le non respect de cette consigne peut entraîner une surchauffe ou un incendie.
- Si le cordon d'alimentation est endommagé, il doit être remplacé par le fabricant, ses revendeurs ou un technicien qualifié pour éviter tout danger de choc électrique.
- L'appareil doit être installé conformément aux réglementations nationales relatives au câblage.
- Le couvercle du bloc de sortie de l'appareil extérieur doit être solidement fixé. S'il n'est pas correctement installé et si des poussières et de l'humidité s'infiltrent dans l'appareil, un choc électrique ou un incendie peut se produire.

# 1. Consignes de sécurité

- Lors de l'installation, du déplacement ou de l'entretien de la pompe à chaleur air-eau, n'utiliser que le réfrigérant spécifié (R32) pour remplir les tuyaux de réfrigérant. Ne pas le mélanger avec un autre réfrigérant et faire le vide d'air dans les tuyaux.

Si du réfrigérant est mélangé avec de l'air, cela peut provoquer des pointes de pression dans les tuyaux de réfrigérant et entraîner une explosion et d'autres risques.

L'utilisation d'un réfrigérant différent de celui spécifié pour le climatiseur peut entraîner des défaillances mécaniques, des dysfonctionnements du système ou une panne de l'appareil. Dans le pire des cas, cela peut entraîner un obstacle à la mise en sécurité du produit.

- N'utiliser que les accessoires agréés par Mitsubishi Electric et contacter un revendeur ou un technicien agréé pour les installer. Si les accessoires ne sont pas correctement installés, une fuite d'eau, un choc électrique ou un incendie peut se produire.
- Ne pas modifier l'appareil. Cela pourrait provoquer un risque d'incendie, d'électrocution, de blessure ou de fuite d'eau.
- L'utilisateur ne doit jamais essayer de réparer ou de déplacer l'appareil. Si l'appareil n'est pas correctement installé, des fuites d'eau, des chocs électriques ou des incendies peuvent se produire. Si la pompe thermique air/eau doit être réparée ou déplacée, contacter un revendeur ou un technicien agréé.
- Lorsque le circuit de réfrigération présente une fuite, NE PAS purger à l'aide du compresseur.
- Pendant la purge du réfrigérant, arrêter le compresseur avant de débrancher les tuyaux de réfrigérant. Le compresseur peut éclater si de l'air, etc. pénètre à l'intérieur.
- Une fois l'installation terminée, vérifier les éventuelles fuites de réfrigérant. Si le réfrigérant fuit dans la pièce et entre en contact avec la flamme d'un chauffage ou d'une cuisinière, des gaz toxiques peuvent se dégager.
- Ne faites usage d'aucun moyen visant à accélérer le processus de dégivrage ou à nettoyer autre que ceux recommandés par le fabricant.
- L'appareil doit être rangé dans une pièce ne contenant aucune source d'allumage continue (exemple : flammes nues, appareil à gaz ou chauffage électrique).

- Ne percez pas et ne brûlez pas l'appareil.
- Sachez que les réfrigérants peuvent être inodores.
- ⊙ La tuyauterie doit être protégée contre tout dommage physique.
- L'installation de tuyauterie doit être limitée au strict minimum.
- Les réglementations nationales sur les gaz doivent être respectées.
- Gardez les ouvertures de ventilation libres d'obstruction.
- ⊙ Ne pas utiliser d'alliage de soudure à basse température pour le brasage des tuyaux de réfrigérant.
- ⊙ Lors de travaux de soudure, veiller à assurer une ventilation suffisante de la pièce.  
Veiller à ce qu'aucun matériau dangereux ou inflammable ne se trouve à proximité.  
Si le travail est effectué dans une pièce fermée, de petite taille ou un endroit similaire, vérifier l'absence de toute fuite de réfrigérant avant de commencer le travail.  
Si le réfrigérant fuit et s'accumule, il risque de s'enflammer et des gaz toxiques peuvent se dégager.
- ⊙ L'appareil sera stocké dans une zone bien ventilée où la taille des pièces correspond à la surface des pièces spécifiée pour le fonctionnement.
- ⊙ Tenir les appareils à gaz, les radiateurs électriques et autres sources d'incendie (sources d'inflammation) à l'écart des lieux où l'installation, les réparations et autres travaux sur la pompe à chaleur air-eau seront effectués.  
Tout contact du réfrigérant avec une flamme libre des gaz toxiques.
- ⊙ Ne pas fumer pendant le travail et le transport.
- ⊙ Ne pas ajouter de réfrigérant au-delà de la quantité maximale de chaque appareil extérieur. Si la quantité dépasse la limite maximale de réfrigérant, cela risque de provoquer un incendie en cas de fuite de réfrigérant.

## 1.1. Avant l'installation

### PRÉCAUTION :

- Ne pas utiliser l'appareil dans un environnement inhabituel. Si la pompe thermique air/eau est installée dans des endroits exposés à la vapeur, à l'huile volatile (notamment l'huile de machine), au gaz sulfurique, à une forte teneur en sel, par exemple à la mer, ou dans des endroits où l'appareil sera recouvert de neige, les performances peuvent considérablement diminuer et les pièces internes de l'appareil être endommagées.
- Ne pas installer l'appareil dans des endroits où des gaz de combustion peuvent s'échapper, se dégager ou s'accumuler. L'accumulation de gaz de combustion autour de l'appareil peut provoquer un incendie ou une explosion.
- L'appareil extérieur produit de la condensation lors du fonctionnement du chauffage. Prévoir un système de drainage autour de l'appareil extérieur au cas où la condensation provoquerait des dommages.
- Lors de l'installation de l'appareil dans un hôpital ou un centre de communications, se préparer au bruit et aux interférences électroniques. Les inverseurs, les appareils électroménagers, les équipements médicaux haute fréquence et de communications radio peuvent provoquer un dysfonctionnement ou une défaillance de la pompe thermique air/eau. La pompe thermique air/eau peut également endommager les équipements médicaux et de communications, perturbant ainsi les soins et réduisant la qualité d'affichage des écrans.

## 1.2. Avant l'installation (déplacement)

### PRÉCAUTION :

- Transportez et installez les appareils avec précaution. L'appareil doit être transporté par deux personnes ou plus, car il pèse 20 kg minimum. Ne pas tirer les rubans d'emballage. Portez des gants de protection pour sortir l'appareil de son emballage et pour le déplacer, car vous risquez de vous blesser les mains sur les ergots ou les arêtes des autres pièces.
- Veiller à éliminer le matériel d'emballage en toute sécurité. Le matériel d'emballage (clous et autres pièces en métal ou en bois) peut provoquer des blessures.
- La base et les fixations de l'appareil extérieur doivent être vérifiées régulièrement pour éviter qu'elles ne se desserrent, se fissent ou subissent d'autres dommages. Si ces défauts ne sont pas corrigés, l'appareil peut tomber et provoquer des dommages ou des blessures.
- Ne pas nettoyer la pompe thermique air/eau à l'eau. Un choc électrique pourrait se produire.
- Serrer les écrous évasés, conformément aux spécifications, à l'aide d'une clé dynamométrique. Si les écrous sont trop serrés, ils peuvent se casser après un certain temps et provoquer une fuite de réfrigérant.

## 1.3. Avant l'installation électrique

### PRÉCAUTION :

- Veiller à installer des coupe-circuits. Dans le cas contraire, un choc électrique peut se produire.
- Pour les lignes électriques, utiliser des câbles standard de capacité suffisante. Dans le cas contraire, un court-circuit, une surchauffe ou un incendie peut se produire.
- Lors de l'installation des lignes électriques, ne pas mettre les câbles sous tension. Si les connexions sont desserrées, les câbles peuvent se rompre et provoquer une surchauffe ou un incendie.
- Veiller à mettre l'appareil à la terre. Ne pas relier le fil de terre aux conduites de gaz ou d'eau, aux paratonnerres ou aux lignes de terre téléphoniques. Une mise à la terre incorrecte de l'appareil peut provoquer un choc électrique.
- Utiliser des coupe-circuits (disjoncteur de fuite à la terre, interrupteur d'isolement (fusible +B) et disjoncteur à boîtier moulé) à la capacité spécifiée. Si la capacité du coupe-circuit est supérieure à celle spécifiée, une défaillance ou un incendie peut se produire.

# 1. Consignes de sécurité

## 1.4. Avant la marche d'essai

### ⚠ PRÉCAUTION :

- Activer l'interrupteur principal au moins 12 heures avant la mise en fonctionnement de l'appareil. L'utilisation de l'appareil juste après sa mise sous tension peut endommager sérieusement les pièces internes. Laisser l'interrupteur activé pendant la période d'utilisation.
- Avant d'utiliser l'appareil, vérifier que tous les panneaux, toutes les protections et les autres pièces de sécurité sont correctement installés. Les pièces tournantes, chaudes ou à haute tension peuvent provoquer des blessures.

- Ne pas toucher les interrupteurs les mains humides au risque de provoquer un choc électrique.
- Ne pas toucher les tuyaux de réfrigérant les mains nues lors de l'utilisation. Les tuyaux de réfrigérant sont chauds ou froids en fonction de l'état du réfrigérant qu'ils contiennent. Toucher les tuyaux peut provoquer des brûlures ou des gelures.
- A la fin de l'utilisation de l'appareil, attendre au moins cinq minutes avant de désactiver l'interrupteur principal. Dans le cas contraire, une fuite d'eau ou une défaillance peut se produire.

## 1.5. Utilisation du réfrigérant R32 pour la pompe thermique air/eau

### ⚠ PRÉCAUTION :

- Utiliser le cuivre phosphoreux C1220, pour des tuyaux sans soudure en cuivre et en alliage de cuivre, pour raccorder les tuyaux de réfrigérant. Vérifier que l'intérieur des tuyaux est propre et dépourvu de tout agent nocif tel que des composés sulfuriques, des oxydants, des débris ou des saletés. Utiliser des tuyaux d'épaisseur spécifiée. (Se reporter à la 4.1.). Respecter les instructions suivantes en cas de réutilisation de tuyaux de réfrigérant R22 existants.
  - Remplacer les écrous évasés existants et évaser de nouveau les sections évasées.
  - Ne pas utiliser de tuyaux fins. (Se reporter à la 4.1.)
- Stocker à l'intérieur les tuyaux à utiliser pendant l'installation et couvrir les deux extrémités jusqu'au processus de brasage. (Laisser les joints de coude, etc. dans leur emballage.) L'infiltration de poussières, de débris ou d'humidité dans les tuyaux de réfrigérant peut affecter la qualité de l'huile et endommager le compresseur.
- Appliquer une petite quantité d'huile ester, éther ou alkylbenzène comme huile réfrigérante sur les sections évasées. Le mélange d'huile minérale et d'huile réfrigérante peut affecter la qualité de l'huile.

- L'entretien sera effectué exclusivement conformément aux recommandations du fabricant.
- Ne pas utiliser un réfrigérant autre que le réfrigérant R32. Si c'est le cas, le chlore peut affecter la qualité de l'huile.
- Utiliser les outils suivants spécialement conçus pour une utilisation avec le réfrigérant R32. Les outils suivants sont nécessaires pour utiliser le réfrigérant R32. En cas de questions, contacter le revendeur le plus proche.

Outils (pour R32)	
Collecteur jauge	Outil d'évasement
Tuyau de charge	Jauge de réglage de la taille
Détecteur de fuite de gaz	Adaptateur pour pompe à vide
Clé dynamométrique	Echelle électronique de charge de réfrigérant

- Veiller à utiliser les outils adaptés. L'infiltration de poussières, de débris ou d'humidité dans les tuyaux de réfrigérant peut affecter la qualité de l'huile réfrigérante.

## 2. Choisir l'emplacement de l'installation

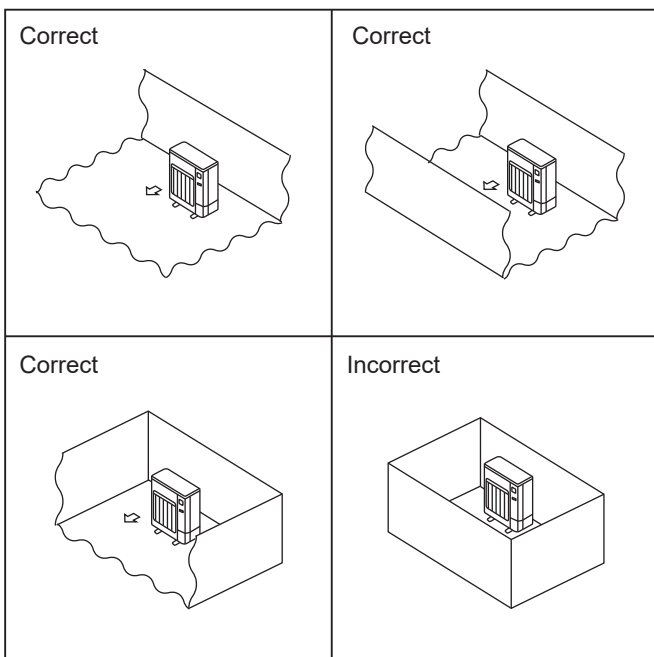


Fig. 2-1

### 2.1. Appareil extérieur

- Le R32 est plus lourd que l'air, tout comme les autres réfrigérants, et tend donc à s'accumuler à la base (à proximité du sol). Si le R32 s'accumule autour de la base, il peut atteindre une concentration à laquelle il est inflammable, si le local est petit. Pour éviter l'inflammation, il est indispensable d'assurer une ventilation appropriée pour maintenir un environnement de travail sûr. Si une fuite de réfrigérant est constatée dans un local ou une zone où la ventilation est insuffisante, ne pas utiliser de flammes jusqu'à ce que la sécurité de l'environnement de travail soit assurée par une ventilation appropriée.
  - Emplacement ne favorisant pas une exposition aux rafales de vent.
  - Emplacement favorisant une bonne circulation d'air sans poussière.
  - Lorsque cela ne provoque pas de cycle court de l'air.
  - Emplacement ne suscitant pas une nuisance par le bruit de fonctionnement de l'appareil et la pulsion d'air chaud pour le voisinage.
  - Emplacement avec un mur solide ou un support ferme empêchant la propagation du bruit de fonctionnement et de vibrations.
  - Emplacement où il n'y a aucun risque de fuites de gaz combustibles.
  - Lorsque l'appareil est installé en hauteur, les pieds de support doivent être installés.
  - A 3 m au moins de l'antenne d'un téléviseur ou d'une radio. (Autrement il pourrait y avoir du brouillage sonore ou visuel.)
  - Installer dans un endroit à l'abri du vent et de la neige. Dans des zones à fortes chutes de neige, veuillez installer un abri, un socle et/ou des écrans de protection.
  - Installer l'appareil à l'horizontale.
  - La connexion des tuyaux de réfrigérant doit être accessible aux fins de maintenance.
- © Installer l'appareil extérieur à un endroit où l'une des quatre faces au moins est libre, et dans un espace suffisamment grand sans dépressions. (Fig. 2-1)

### ⚠ PRÉCAUTION :

Les emplacements sous-mentionnés doivent être évités pour effectuer l'installation s'il existe un risque de panne pour la pompe à chaleur air-eau.

- Emplacement où il existe une grande quantité d'huile de machine.
- Sites salins.
- Stations thermales.
- En présence de gaz sulfurique.
- Autres types de conditions climatiques spéciales.

L'unité extérieure produit de la condensation lors du mode de chauffage. Choisir l'endroit où le climatiseur sera monté de façon à éviter à l'unité extérieure et/ou aux sols d'être mouillés par les condensats ou endommagés par le gel des condensats.

## 2. Choisir l'emplacement de l'installation

### 2.2. Zone d'installation minimum

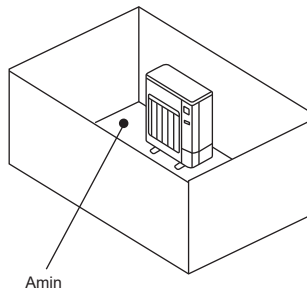
Si un appareil doit obligatoirement être installé dans un espace où les quatre côtés sont fermés ou qui présente des dépressions, il convient de vérifier que l'une des situations suivantes (A, B ou C) est réalisée.

**Remarque: Ces contre-mesures sont destinées à assurer la sécurité, non pas à garantir les spécifications.**

A) Espace d'installation suffisant et sûr (zone d'installation minimum  $A_{min}$ ).

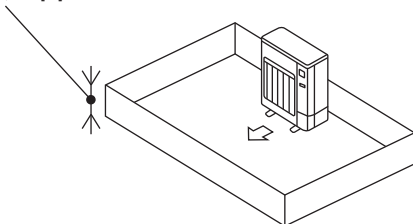
Installer dans un espace dont la zone d'installation est égale ou supérieure à  $A_{min}$ , en fonction de la quantité de réfrigérant M (réfrigérant chargé en usine + réfrigérant ajouté sur site).

M [kg]	$A_{min}$ [m <sup>2</sup> ]
1,0	12
1,5	17
2,0	23
2,5	28
3,0	34
3,5	39
4,0	45
4,5	50
5,0	56
5,5	62
6,0	67
6,5	73
7,0	78
7,5	84

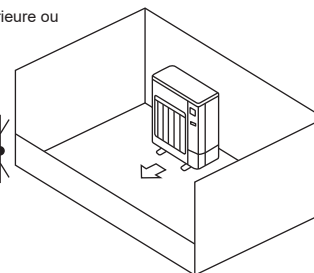


B) Installer dans un espace dont la hauteur de dépression est de  $\leq 0,125$  [m].

Hauteur depuis le sol inférieure ou égale à 0,125 [m]



Hauteur depuis le sol inférieure ou égale à 0,125 [m]

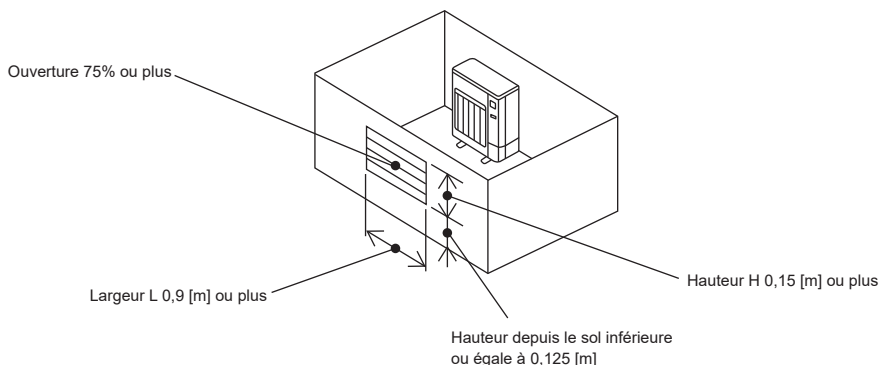


C) Créer une zone de ventilation ouverte adéquate.

S'assurer que la largeur de la zone ouverte est égale ou supérieure à 0,9 [m] et sa hauteur égale ou supérieure à 0,15 [m].

Cependant, la hauteur entre le bas de l'espace d'installation et le bord inférieur de la zone ouverte doit être inférieure ou égale à 0,125 [m].

La zone ouverte doit présenter une ouverture d'au moins 75%.



**Remarque : En ce qui concerne l'appareil intérieur, il n'y a aucune restriction d'installation liée à l'utilisation du réfrigérant R32. Consulter le manuel d'installation de l'appareil intérieur et contrôler la surface d'installation requise.**

### 3. Schéma d'installation

#### 3.1. Appareil extérieur (Fig. 3-1)

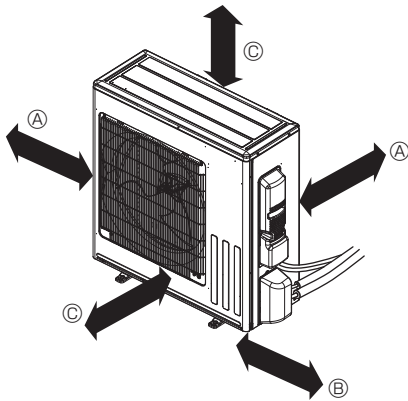
##### Espace pour la ventilation et le service

- Ⓐ 100 mm ou plus
- Ⓑ 350 mm ou plus
- Ⓒ 500 mm ou plus

Lorsque les tuyaux seront attachés à un mur contenant des métaux (fer-blanc) ou du grillage en métal, utiliser un morceau de bois traité chimiquement de 20 mm ou plus entre le mur et les tuyaux ou envelopper les tuyaux de 7 ou 8 couches d'isolant en vinyle.

Les appareils doivent être installés par un technicien qualifié suivant les réglementations locales en vigueur.

- SUZ-SWM80VA2, SUZ-SWM80VAH2, SUZ-SWM100VA, SUZ-SWM100VAH, SUZ-SHWM60VAH



##### Remarque:

Si vous utilisez la pompe à chaleur air-eau alors que la température extérieure est basse, veillez à observer les instructions décrites ci-dessous.

- Ne jamais installer l'appareil extérieur dans un endroit où le côté présentant l'entrée/la sortie d'air risque d'être directement exposé au vent.
- Pour protéger l'appareil extérieur du vent, l'installer de sorte que l'entrée d'air soit face au mur.
- Pour éviter toute exposition au vent, il est recommandé d'installer un écran de protection du côté de la sortie d'air de l'appareil extérieur.

- SUZ-SWM30VA, SUZ-SWM40VA2, SUZ-SWM60VA2, SUZ-SHWM30VAH, SUZ-SHWM40VAH

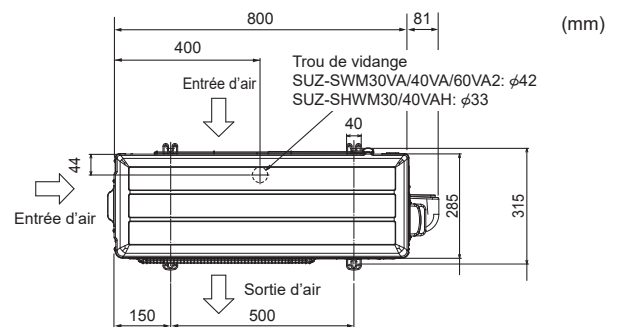
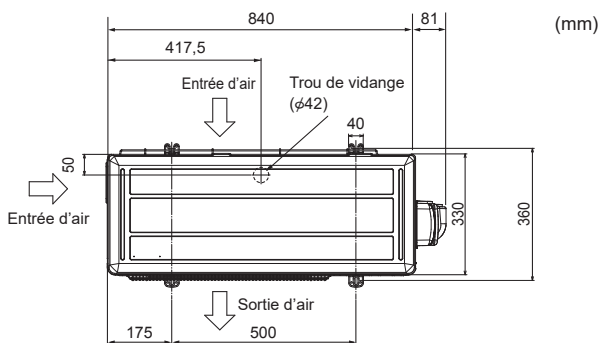
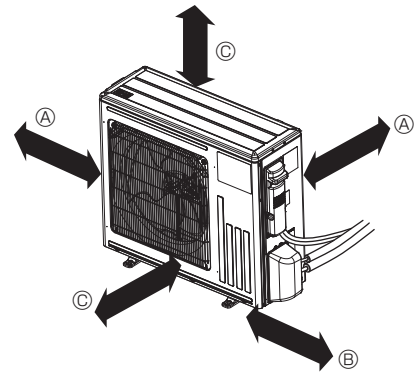


Fig. 3-1

### 4. Tuyaux de vidange de l'appareil extérieur (Fig. 4-1)

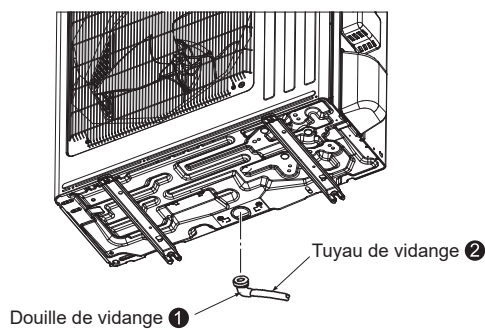


Fig. 4-1

#### 4.1. Accessoires

Veillez contrôler les pièces suivantes avant l'installation.

<Appareil extérieur>

①	Douille de vidange	1
---	--------------------	---

- Installer les tuyaux de vidange avant les tuyaux des appareils intérieur et extérieur. (Il sera difficile d'installer la douille de vidange ① si les tuyaux des appareils intérieur et extérieur sont raccordés avant les tuyaux de vidange car l'appareil extérieur ne pourra plus être déplacé.)
- Raccorder le tuyau de vidange ② (en vente en magasin, diamètre intérieur de 15 mm) comme le montre l'illustration.
- Veiller à incliner les tuyaux de vidange vers le bas pour faciliter le flux de vidange.

##### Remarque:

Ne pas utiliser la douille de vidange ① dans les régions froides. Le liquide vidangé pourrait geler et provoquer l'arrêt du ventilateur.

La douille de vidange n'est pas incluse dans la série SHWM.

## 5. Mise en place des tuyaux de réfrigérant

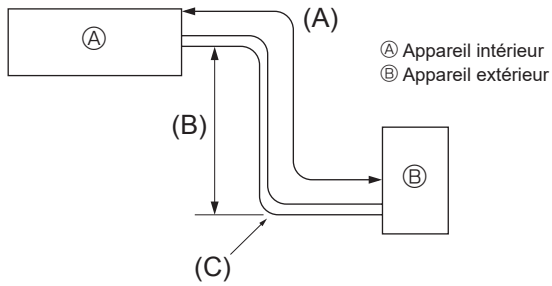


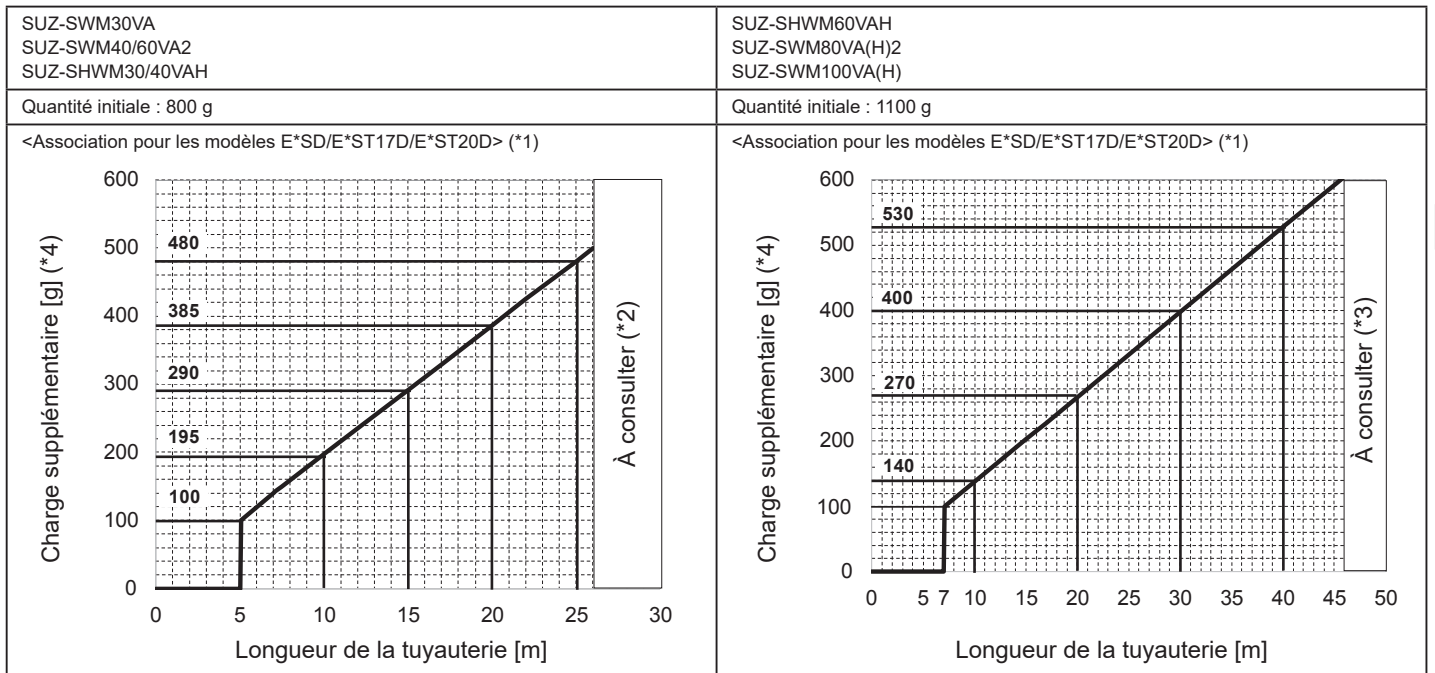
Fig. 5-1

### 5.1. Tuyaux de réfrigérant (Fig. 5-1)

► Vérifier que la différence de hauteur entre les appareils intérieur et extérieur, la longueur du tuyau de réfrigérant et le nombre de coudes permis dans le tuyau se situent au sein des limites indiquées ci-dessous.

Modèles	(A) Longueur de tuyauterie (un sens)	(B) Différence de hauteur	(C) Nombre de coudes (un sens)
SUZ-SWM30VA	2 m - 26 m	max. 26 m	max. de 10
SUZ-SHWM30VAH			
SUZ-SWM40VA2			
SUZ-SHWM40VAH			
SUZ-SWM60VA2	2 m - 46 m	max. 30 m	
SUZ-SHWM60VAH			
SUZ-SWM80VA(H)2			
SUZ-SWM100VA(H)			

• Les spécifications concernant la différence de hauteur s'appliquent à toutes dispositions des appareils intérieurs et extérieurs, sans tenir compte de celui qui est le plus élevé.



\*1. En cas de raccordement au modèle E\*ST30D, ajoutez TOUJOURS 50 g à la charge supplémentaire indiquée sur les schémas.

\*2. Pour les tuyauteries de plus de 26 m, veuillez à consulter notre spécialiste.

\*3. Pour les tuyauteries de plus de 46 m, veuillez à consulter notre spécialiste.

\*4. En cas de recharge complète, quantité initiale + charge supplémentaire

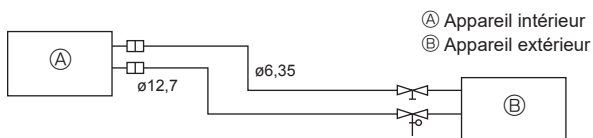


Fig. 5-2

(1) Le tableau ci-dessous montre les spécifications des tuyaux disponibles en commerce. (Fig. 5-2)

Modèle	Tuyau	Diamètre extérieur		Épaisseur min. du mur	Épaisseur de l'isolation	Matériau d'isolation
		mm	pouce			
Tous les modèles	à liquide	6,35	1/4	0,8 mm	8 mm	Plastique mousse résistant à la chaleur gravité spécifique de 0,045
	à gaz	12,7	1/2	0,8 mm	8 mm	

(2) Vous assurer que les deux tuyaux à réfrigérant sont bien isolés contre la condensation.

(3) Le rayon du coude du tuyau à réfrigérant doit mesurer au moins 100 mm.

### ⚠ PRÉCAUTION :

Utiliser un isolant de l'épaisseur spécifiée. Trop d'épaisseur empêchera le stockage derrière l'appareil intérieur et un isolant trop mince ne pourra éviter le suintage de condensation.

- Veiller à assurer une ventilation adéquate afin de prévenir tout risque d'inflammation. De plus, pour prévenir tout risque d'incendie, veiller à ce qu'aucun objet dangereux ou inflammable ne se trouve dans la zone environnante.
- Appoint de maintenance de R32 : Avant de faire l'appoint de maintenance de R32, il convient de prévenir tout risque d'explosion dû à des étincelles électriques en déconnectant entièrement l'équipement de l'alimentation secteur.
- Les matériaux d'isolation doivent être conformes aux spécifications suivantes.

(1) Taux de transfert thermique : 0,040 W/mK ou moins

(2) Épaisseur de l'isolation : 9 mm ou plus

(3) Résistance thermique : 110 °C ou plus

Si la longueur de la tuyauterie à l'extérieur est supérieure à 15 m, l'épaisseur de l'isolation doit être de 18 mm ou plus.

## 5. Mise en place des tuyaux de réfrigérant

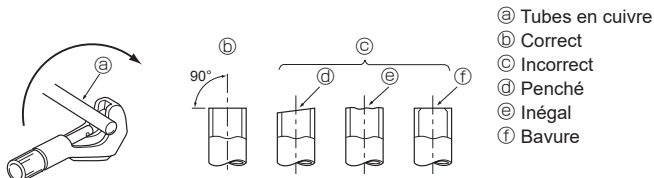


Fig. 5-3

- Ⓐ Tubes en cuivre
- Ⓑ Correct
- Ⓒ Incorrect
- Ⓓ Penché
- Ⓔ Inégal
- Ⓕ Bavure

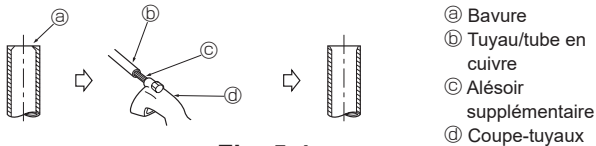


Fig. 5-4

- Ⓐ Bavure
- Ⓑ Tuyau/tube en cuivre
- Ⓒ Alésoir supplémentaire
- Ⓓ Coupe-tuyaux

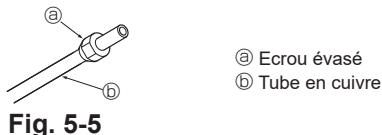


Fig. 5-5

- Ⓐ Ecrou évasé
- Ⓑ Tube en cuivre

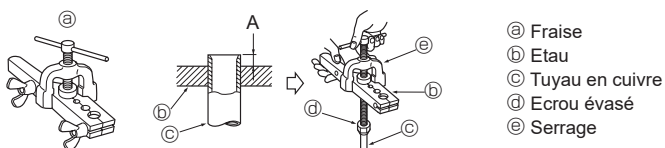


Fig. 5-6

- Ⓐ Fraise
- Ⓑ Etai
- Ⓒ Tuyau en cuivre
- Ⓓ Ecrou évasé
- Ⓔ Serrage

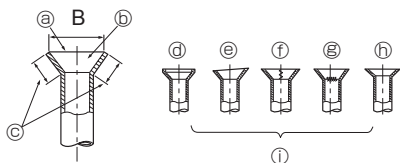


Fig. 5-7

- Ⓐ Lisse tout autour
- Ⓑ L'intérieur brille et n'est pas rayé
- Ⓒ La même longueur partout
- Ⓓ Trop
- Ⓔ Penché
- Ⓕ Rayure sur la surface évasée
- Ⓖ Craqué
- Ⓖ Inégal
- Ⓖ Exemples de mauvais spécimens

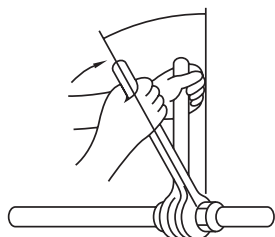


Fig. 5-8

### 5.2. Evasement

- La cause principale de fuite de gaz est un évasement défectueux. Veuillez effectuer l'évasement selon la méthode suivante.

#### 5.2.1. Couper le tuyau (Fig. 5-3)

- Utiliser un coupe-tuyaux pour couper le tube en cuivre correctement.

#### 5.2.2. Enlever les bavures (Fig. 5-4)

- Enlever toutes les bavures du tube/tuyau coupé.
- Tenir le tuyau/tube en cuivre avec le bout orienté vers le bas pendant que vous enlevez les bavures pour éviter qu'elles ne tombent à l'intérieur du tuyau.

#### 5.2.3. Mettre l'écrou en place (Fig. 5-5)

- Enlever les écrous évasés situés sur les appareils intérieur et extérieur, puis les mettre sur le tube/tuyau une fois toutes les bavures enlevées. (il n'est pas possible de les mettre en place après le fraisage)

#### 5.2.4. Le fraisage (Fig. 5-6)

- Effectuer les travaux d'évasement à l'aide de l'outil à évaser comme indiqué à gauche.

Diamètre de tuyau (mm)	Dimension	
	A (mm)	B <sup>+0</sup> <sub>-0,4</sub> (mm)
	Lors de l'utilisation de l'outil pour le R32	
	Type d'embrayage	
6,35	0 - 0,5	9,1
9,52	0 - 0,5	13,2
12,7	0 - 0,5	16,6
15,88	0 - 0,5	19,7

Coincer fermement le tube en cuivre dans un étai aux dimensions indiquées ci-dessus.

#### 5.2.5. Vérification (Fig. 5-7)

- Comparer l'évasement avec le croquis ci-contre à gauche.
- Si le fraisage est défectueux, couper la section fraisée et refaire le fraisage.

- Appliquer une fine couche d'huile de réfrigérant sur la surface du siège de tuyau. (Fig. 5-8)
- Le raccordement est réalisé en alignant d'abord le centre, puis en serrant les 3 ou 4 premiers tours de l'écrou évasé.
- Appliquer les couples de serrage spécifiés dans le tableau ci-dessous comme référence pour les raccords de tuyauterie de l'appareil intérieur et serrer avec deux clés. Un serrage endommage la partie évasée.

Diam. ext. Tuyau en cuivre (mm)	Diam. ext. raccord conique (mm)	Couple de serrage (N·m)
ø6,35	17	14 - 18
ø9,52	22	34 - 42
ø12,7	26	49 - 61
ø15,88	29	68 - 82

### ⚠ AVERTISSEMENT :

Pendant l'installation de l'appareil, branchez correctement les tuyaux de réfrigérant avant de lancer le compresseur.

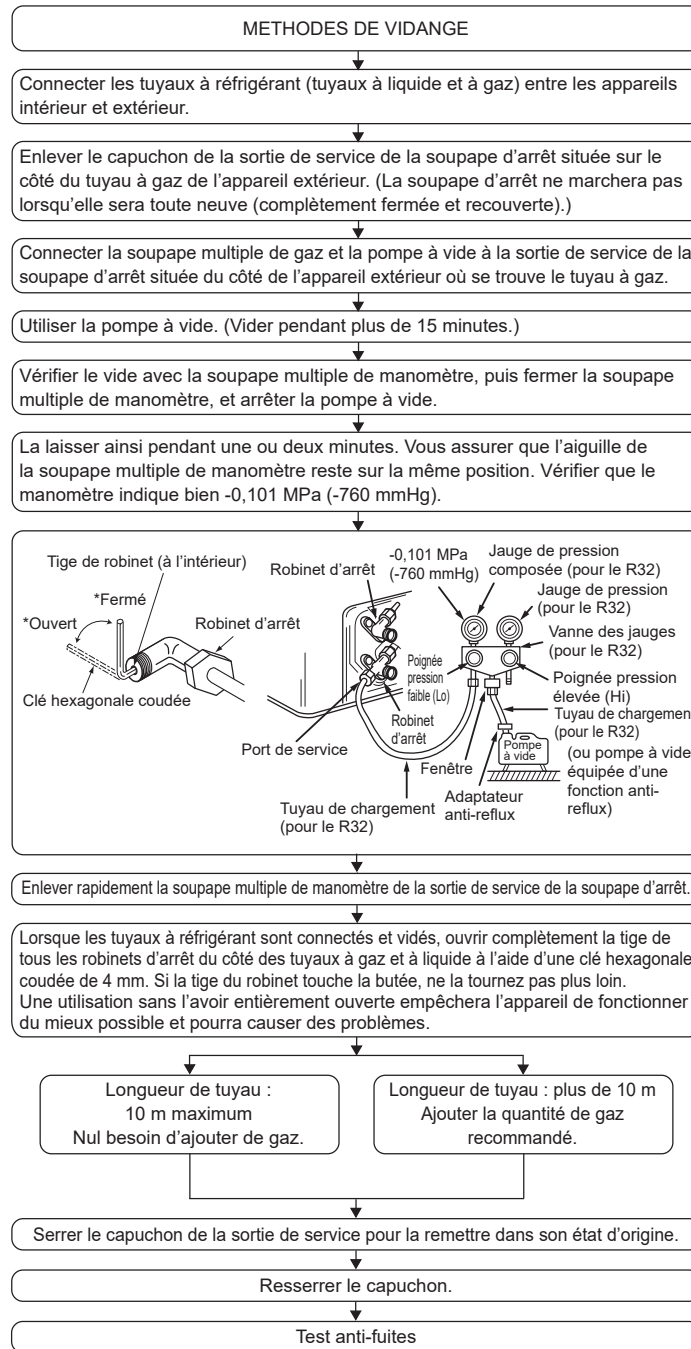
### ⚠ AVERTISSEMENT :

Attention aux écrous évasés volants! (pressurisation interne)  
Retirer l'écrou évasé en procédant comme suit:

1. Desserrer l'écrou jusqu'à ce qu'un sifflement se fasse entendre.
2. Ne jamais retirer l'écrou tant que tout le gaz ne s'est pas échappé (c'est-à-dire lorsque le sifflement s'arrête).
3. Vérifier si tout le gaz s'est échappé avant de retirer l'écrou.

## 5. Mise en place des tuyaux de réfrigérant

### 5.3. Test anti-fuites et méthodes de vidange



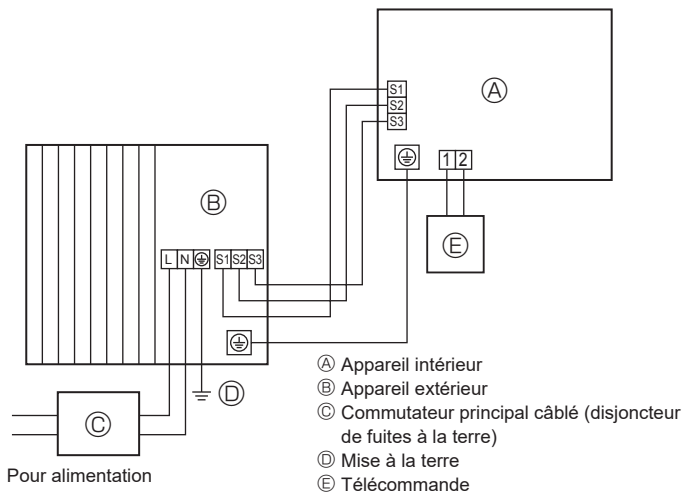


## 6. Installations électriques

### 6.1. Appareil extérieur (Fig. 6-1, Fig. 6-2, Fig. 6-3)

- ① Déposer le panneau de service.
- ② Raccorder les câbles conformément aux Fig. 6-1, Fig. 6-2 et Fig. 6-3.

#### ■ SUZ-SHWM60VAH, SUZ-SWM80VA(H)2, SUZ-SWM100VA(H)



#### ■ SUZ-SHWM30/40VAH, SUZ-SWM30VA, SUZ-SWM40/60VA2

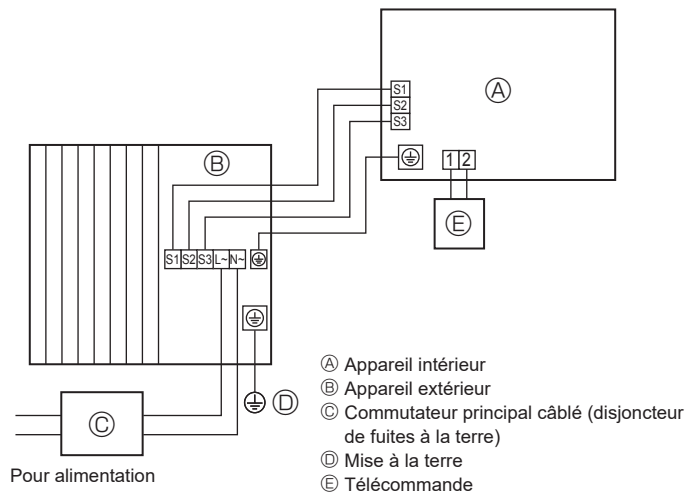


Fig. 6-1

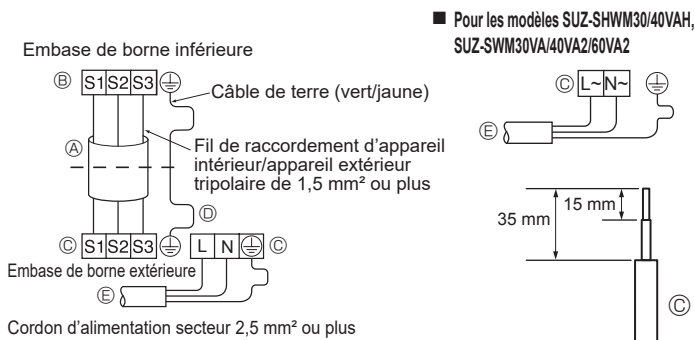
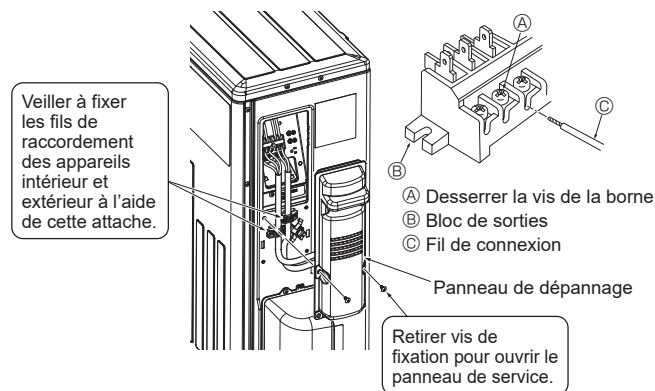


Fig. 6-2

#### ■ SUZ-SWM30VA, SUZ-SWM40VA2, SUZ-SWM60VA2, SUZ-SHWM30VAH, SUZ-SHWM40VAH



#### ■ SUZ-SWM80VA2, SUZ-SWM100VA, SUZ-SWM80VAH2, SUZ-SWM100VAH, SUZ-SHWM60VAH

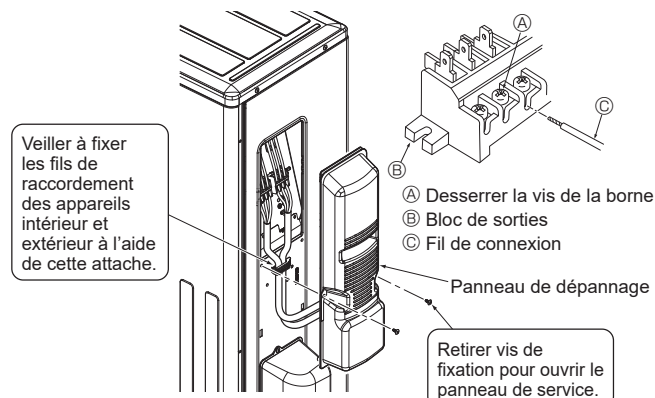


Fig. 6-3

- Effectuer le câblage selon le diagramme en bas et à gauche. (Se procurer le câble localement) (Fig. 6-2)

Assurez-vous que les câbles utilisés sont de la polarité correcte.

- (A) Câble de connexion
- (B) Bloc de sorties intérieur
- (C) Bloc de sorties extérieur
- (D) Toujours poser un câble de mise à la terre plus long que les autres câbles.
- (E) Cordon d'alimentation secteur
- (F) Fil de connexion

- Veiller à ce que le fil de terre soit plus long que les autres. (plus de 100 mm)
- Prévoir une longueur de câble de connexion supplémentaire en vue d'entretiens.
- Lors du raccordement du cordon et/ou du fil au bloc de sorties, veiller à fixer chaque vis à la borne correspondante.

- Connecter le câble de l'appareil intérieur au bloc de sorties.
- Utiliser le même bloc de sorties et la même polarité que pour l'appareil intérieur.
- Pour pouvoir effectuer des révisions dans le futur, laisser un peu de jeu dans le câble de connexion.

- Les deux extrémités du câble de connexion (rallonge) doivent être dénudées. Lorsque le câble est trop long ou lorsqu'il est relié à partir du milieu, dénuder le câble d'alimentation en respectant les dimensions indiquées à droite.
- Faire attention que le câble de connexion n'entre pas en contact avec les tuyaux.

### ⚠ PRÉCAUTION :

- Veiller à brancher les fils correctement.
- Serrer fermement les vis des bornes pour les empêcher de se desserrer.
- Puis tirer légèrement sur les fils pour s'assurer qu'ils ne bougent pas.

### ⚠ AVERTISSEMENT :

- Veiller à visser correctement le panneau de service à l'appareil extérieur. Si le panneau de service n'est pas bien installé, de l'eau, des poussières, etc. pourraient pénétrer à l'intérieur de l'appareil, entraînant un risque d'incendie ou de décharge électrique.
- Resserrer convenablement les vis des bornes.
- Le câblage doit être effectué de sorte que les lignes d'alimentation électrique ne soient soumises à aucune tension. Sinon, il pourrait y avoir surchauffe, voire un risque d'incendie.

## 6. Installations électriques

### 6.2. Raccordez les câbles électriques

Modèle de l'appareil extérieur		SUZ-SHWM30VAH/40VAH SUZ-SWM30VA/40VA2/60VA2	SUZ-SHWM60VAH SUZ-SWM80VA(H)2/SWM100VA(H)
Alimentation de l'appareil extérieur		~N (monophasé), 50 Hz, 230 V	~/N (monophasé), 50 Hz, 230 V
Capacité d'entrée de l'appareil extérieur Commutateur principal (Disjoncteur) *1		16 A	20 A
Raccordement du câble N° x taille (mm <sup>2</sup> )	Alimentation de l'appareil extérieur	2 x Min.2,5	2 x Min.2,5
	Alimentation de l'appareil extérieur, mise à la terre	1 x Min.2,5	1 x Min.2,5
	Appareil intérieur-Appareil extérieur	3 x 1,5 (Polarisé)	3 x 1,5 (Polarisé)
	Appareil intérieur-Appareil extérieur, mise à la terre	1 x Min.1,5	1 x Min.1,5
Valeur nominale du circuit	Appareil extérieur L-N *2	230 Vca	230 Vca
	Appareil intérieur-Appareil extérieur S1-S2 *2	230 Vca	230 Vca
	Appareil intérieur-Appareil extérieur S2-S3 *2	12 Vcc – 24 Vcc	12 Vcc – 24 Vcc

\*1. Un disjoncteur présentant une séparation de contact de 3 mm minimum à chaque pôle doit être installé. Utilisez un disjoncteur de fuites à la terre (NV). S'assurer que le disjoncteur de fuite de courant est compatible avec les harmoniques les plus élevées.

Veiller à toujours utiliser un disjoncteur de fuite de courant compatible avec les harmoniques les plus élevées car cet appareil est équipé d'un inverseur. L'utilisation d'un disjoncteur inapproprié peut provoquer un dysfonctionnement de l'onduleur.

\*2. Les chiffres NE sont PAS toujours en rapport avec la terre.

La borne S3 présente 24 Vcc par rapport à la borne S2. Cependant entre les bornes S3 et S1, l'isolation électrique n'est PAS assurée par un transformateur ou tout autre dispositif.

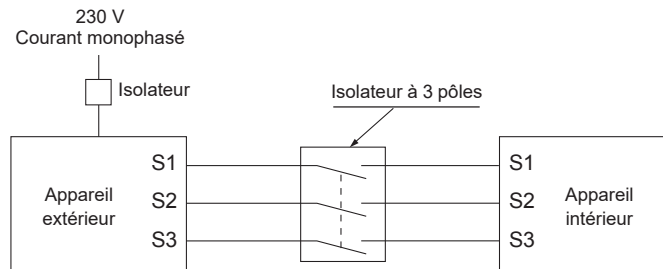
Remarques: 1. La taille du câblage doit être conforme aux réglementations locales et nationales en vigueur.

2. Les cordons d'alimentation et les cordons de raccordement des appareils intérieur/extérieur ne doivent pas être plus fins qu'un cordon souple à gaine de polychloroprène. (Modèle 60245 IEC 57)

3. Posez un câble de mise à la masse plus long que les autres câbles.

4. Utiliser des câbles de distribution auto-extinguibles pour le câblage de l'alimentation.

5. Acheminer correctement le câblage de manière à ne pas entrer en contact avec le bord métallique de la feuille ou l'extrémité d'une vis.



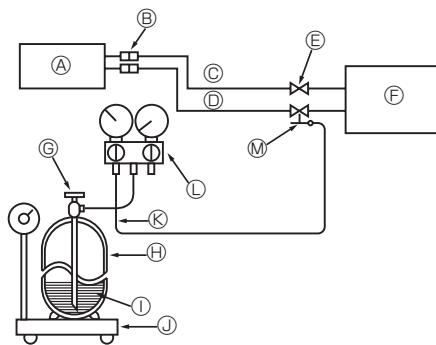
### ⚠ AVERTISSEMENT :

Il est possible que la borne S3 reçoive une tension élevée en raison du schéma du circuit électrique qui ne présente aucune isolation entre le câble d'alimentation et les câbles de signaux de communication. Ainsi, veuillez couper l'alimentation principale pendant l'entretien. Et ne touchez pas aux bornes S1, S2, S3 lorsque le circuit est alimenté. Si un isolateur doit être utilisé entre l'appareil intérieur et l'appareil extérieur, veuillez utiliser un isolateur à 3 pôles.

Ne jamais effectuer de jonction du câble d'alimentation ou du câble de raccordement intérieur-extérieur car cela peut entraîner une surchauffe, un incendie ou un raccordement défaillant.

Assurez-vous de brancher les câbles de raccordement intérieur-extérieur directement aux appareils (pas de raccordements intermédiaires). Les raccordements intermédiaires peuvent entraîner des erreurs de communication si de l'eau entre dans les câbles et provoquer une isolation insuffisante à la terre ou un mauvais contact électrique au point de raccordement intermédiaire.

## 7. Entretien



- (A) Appareil intérieur
- (B) Raccord
- (C) Tuyau de liquide
- (D) Tuyau de gaz
- (E) Robinet d'arrêt
- (F) Appareil extérieur
- (G) Vanne de fonctionnement du cylindre de gaz réfrigérant
- (H) Cylindre de gaz réfrigérant pour R32 avec siphon
- (I) Réfrigérant (liquide)
- (J) Echelle électronique pour la charge de réfrigérant
- (K) Conduite flexible de chargement (pour le R32)
- (L) Jauge collectrice (pour le R32)
- (M) Ouverture de service

Fig. 7-1

### 7.1. Charge de Gaz (Fig. 7-1)

- Raccorder le tuyau de gaz au port de service de la vanne d'arrêt (à 3 voies).
- Purger l'air du tuyau raccordé au tuyau de gaz réfrigérant.
- Ajouter la quantité spécifiée de réfrigérant, pendant que la pompe à chaleur air-eau fonctionne en mode rafraîchissement.

Remarque:

En cas d'ajout de réfrigérant, respecter la quantité précisée pour le cycle de réfrigération.

### ⚠ PRÉCAUTION :

- Ne pas décharger le réfrigérant dans l'atmosphère. Faire attention de ne pas décharger le réfrigérant dans l'atmosphère durant l'installation, une nouvelle installation ou la réparation du circuit réfrigérant.
- En cas de supplément de charge, charger le réfrigérant sous sa forme liquide à partir d'un cylindre de gaz. Si le réfrigérant est chargé sous sa forme gazeuse, sa composition risque de se modifier à l'intérieur du cylindre et dans l'appareil extérieur. Dans ce cas, la capacité de refroidissement du réfrigérant diminue ou le fonctionnement normal peut même s'avérer impossible. Attention : une charge trop rapide de tout le réfrigérant liquide risque de bloquer le compresseur. Dès lors, nous conseillons de charger le réfrigérant lentement.

Pour maintenir une pression élevée dans le cylindre de gaz, le réchauffer avec de l'eau chaude (d'une température inférieure à 40°C) pendant la saison froide. Ne jamais utiliser une flamme vive ou de la vapeur pour effectuer cette opération.

## 8. Pose des tuyauteries d'eau

### 8.1. Quantité d'eau minimum

Consulter le manuel d'installation de l'appareil intérieur.

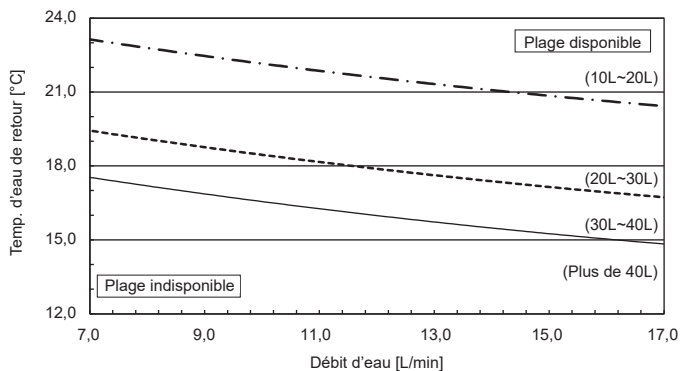
### 8.2. Plage disponible (débit d'eau, temp. d'eau de retour)

S'assurer que le débit d'eau et la plage de température de retour dans le circuit d'eau sont les suivants. Ces courbes sont liées à la quantité d'eau.

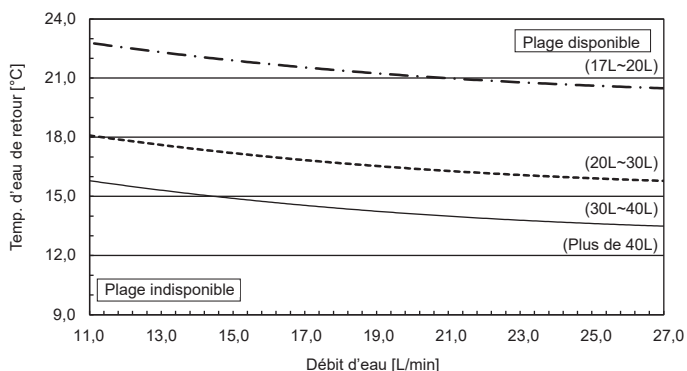
#### ■ Chauffage

SUZ-SWM30VA SUZ-SHWM30VAH  
SUZ-SWM40VA2 SUZ-SHWM40VAH  
SUZ-SWM60VA2

Température minimale de l'eau de retour en raison de la quantité d'eau du système



Température minimale de l'eau de retour en raison de la quantité d'eau du système



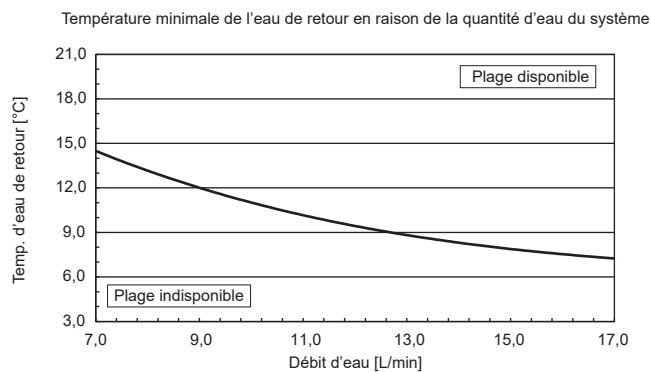
#### Remarque :

- Veiller à éviter la plage indisponible pendant le dégivrage. Sinon, l'appareil extérieur n'est pas suffisamment dégivré et/ou l'échangeur thermique de l'appareil intérieur risque de geler.
- La température du flux NE PEUT jamais être INFÉRIEURE à 32 °C lorsque la température extérieure descend sous -15 °C. Risques potentiels de gel et d'endommagement de l'échangeur thermique à plaques, ainsi que de gel de l'échangeur thermique extérieur en raison d'un dégivrage insuffisant.

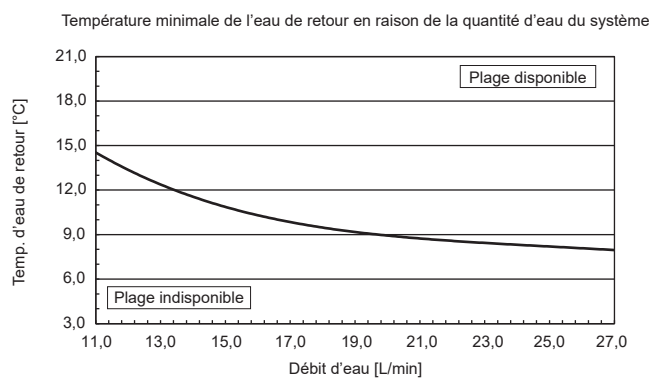
## 8. Pose des tuyauteries d'eau

### ■ Refroidissement

SUZ-SWM30VA SUZ-SHWM30VAH  
SUZ-SWM40VA2 SUZ-SHWM40VAH  
SUZ-SWM60VA2



SUZ-SWM80VA(H)2  
SUZ-SWM100VA(H)  
SUZ-SHWM60VAH



#### Remarque :

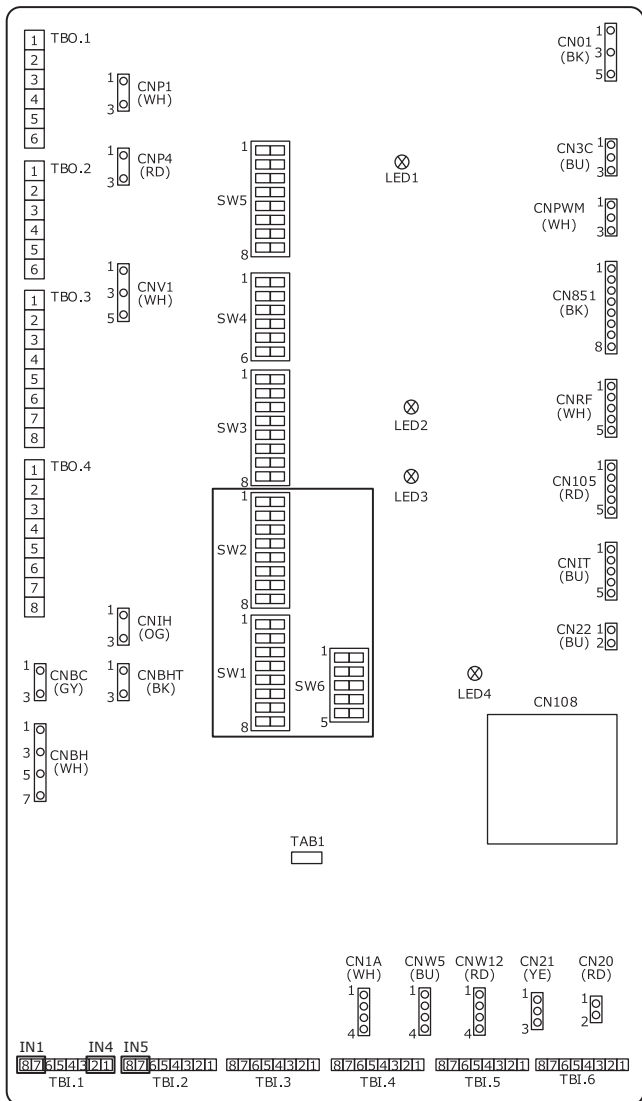
Veiller à éviter la plage indisponible pendant le dégivrage.

Sinon, l'appareil extérieur n'est pas suffisamment dégivré et/ou l'échangeur thermique de l'appareil intérieur risque de geler.

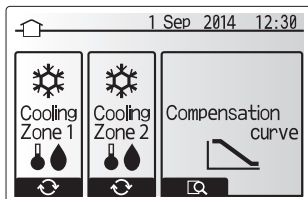
## 9. Purge

Lors du déplacement ou de la mise au rebut de l'appareil extérieur, il est nécessaire de purger le système en suivant la procédure ci-dessous de façon à ne pas libérer le réfrigérant dans l'atmosphère.

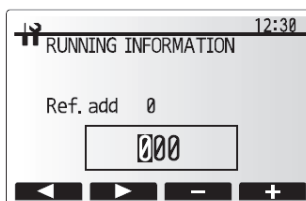
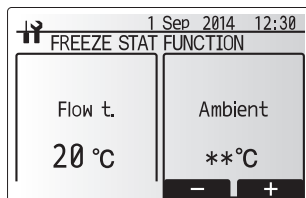
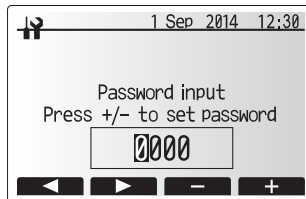
- ① Couper le circuit électrique (y compris appareil intérieur, chauffage, appareil extérieur, etc.)
- ② Raccorder la vanne du collecteur à jauge à l'ouverture de service du robinet d'arrêt du côté du tuyau de gaz de l'appareil extérieur.
- ③ Fermer complètement le robinet d'arrêt du côté du tuyau de liquide de l'appareil extérieur.
- ④ Modifier les réglages sur l'appareil intérieur.
  - Mettre le commutateur DIP SW1-3 sur OFF, le SW2-1 sur OFF, le SW2-4 sur ON et le SW6-3 sur OFF sur le panneau de commande de l'appareil intérieur.
  - Débrancher les entrées de signaux IN1 (entrée thermostat d'ambiance 1), IN4 (entrée contrôle de demande) et IN5 (entrée thermostat extérieur).



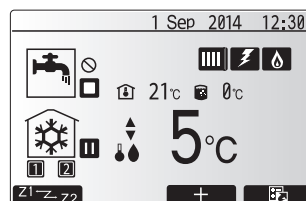
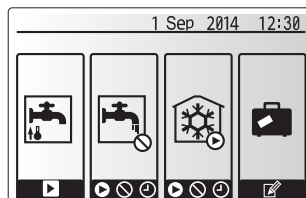
- ⑤ Rétablir le circuit électrique.
- ⑥ Dans le menu principal de la commande principale de l'appareil intérieur, sélectionner "Heating/cooling mode" → "Cooling flow temp."



- ⑦ Dans le menu principal, sélectionner "Service" et modifier le réglage comme ci-dessous. Un mot de passe vous sera demandé. LE MOT DE PASSE D'USINE PAR DEFALT est "0000".
  - Sélectionner "Operation settings" → "Freeze stat function", puis régler la température ambiante extérieure minimum sur \* (astérisque).
  - Sélectionner "Running information", puis régler Reference address sur 351.



- ⑧ Collecter le réfrigérant.
  - Appuyer sur la touche "ON/OFF" de la commande principale.
  - Dans le menu des options, sélectionner "Cooling ON".
  - Régler la température cible du flux sur 5 °C. Si le système est commandé par un thermostat d'ambiance, régler la température ambiante cible sur 10 °C. La collecte de réfrigérant commence après 60 secondes.
  - Pour plus de détails ou d'autres informations sur les réglages de la commande principale, se reporter au manuel d'installation ou au manuel d'utilisation de l'appareil intérieur.



Suite page suivante

## 9. Purge

- ⑨ Fermer complètement le robinet d'arrêt du côté du tuyau de gaz de l'appareil extérieur lorsque le manomètre indique 0,05 à 0 MPa [jauge] (environ 0,5 à 0 kgf/cm<sup>2</sup>) et arrêter rapidement l'appareil extérieur.
- Appuyer sur la touche "ON/OFF" de la télécommande pour arrêter l'appareil extérieur.
  - \* Attention : si le tuyau de rallonge est très long et contient une grande quantité de réfrigérant, il peut être impossible d'effectuer une purge. Dans ce cas, utiliser un équipement de récupération du réfrigérant pour récupérer tout le réfrigérant du système.
- ⑩ Rétablir le réglage de la commande principale modifié à la procédure ⑨ ci-dessus.
- ⑪ Appuyer pendant environ 3 secondes sur la touche "ON/OFF" de la commande principale de l'appareil intérieur pour arrêter ce dernier.
- ⑫ Rétablir les réglages de la commande principale modifiés dans toutes les procédures sauf ⑨.
- \* Comment remettre "Running information" à l'état initial : Régler Reference address sur 350.
- ⑬ Couper le circuit électrique et remettre les commutateurs DIP du panneau de commande de l'appareil intérieur dans leur position initiale.
- ⑭ Retirer la vanne du collecteur à jauge, puis débrancher les tuyaux de réfrigérant.



### AVERTISSEMENT :

Lorsque le circuit de réfrigération présente une fuite, **NE PAS purger à l'aide du compresseur.**

**Pendant la purge du réfrigérant, arrêter le compresseur avant de débrancher les tuyaux de réfrigérant.**

- **Si les tuyaux de réfrigérant sont débranchés avant l'arrêt du compresseur et lorsque le robinet d'arrêt (clapet à bille) est ouvert, la pression du cycle de réfrigération pourrait s'élever excessivement si de l'air était aspiré, provoquant l'explosion des tuyaux, des blessures, etc.**



### PRÉCAUTION :

**Ne PAS utiliser ce mode REFROIDISSEMENT en cas de raccordement à une unité intérieure qui n'autorise pas le mode REFROIDISSEMENT à d'autres fins que la purge.**

## 10. Caractéristiques techniques

Modèle extérieur		SUZ-SWM30VA	SUZ-SHWM30VAH	SUZ-SWM40VA2	SUZ-SHWM40VAH	SUZ-SWM60VA2
Alimentation	V / Phase / Hz	230 / monophasée / 50				
Dimensions (l × H × P)	mm	800 × 714 × 285				
Niveau de puissance sonore (chauffage)	*1 dB(A)	57	57	57	58	60
	*2 dB(A)	54	54	54	55	56

Modèle extérieur		SUZ-SHWM60VAH	SUZ-SWM80VA(H)2	SUZ-SWM100VA(H)
Alimentation	V / Phase / Hz	230 / monophasée / 50		
Dimensions (l × H × P)	mm	840 × 880 × 330		
Niveau de puissance sonore (chauffage)	*1 dB(A)	60	60	62
	*2 dB(A)	58	59	60

\*1. Mesuré à la fréquence nominale de fonctionnement à une température ambiante de 7 °C DB/6 °C WB et à une température d'eau de 55 °C

\*2. Mesuré selon la norme EN12102 dans les conditions de la norme EN14825

EU DECLARATION OF CONFORMITY  
EU-KONFORMITÄTSEKTLÄRUNG  
DÉCLARATION DE CONFORMITÉ UE  
EU-CONFORMITEITSVERKLARING  
DECLARACIÓN DE CONFORMIDAD UE  
DICHIARAZIONE DI CONFORMITÀ UE  
ΔΗΛΩΣΗ ΣΥΜΜΟΡΦΩΣΗΣ ΕΕ  
DECLARAÇÃO DE CONFORMIDADE UE  
EU-OVERENSSTEMMELSESEKTLÆRING

EG-DEKLARATION OM ÖVERENSSTÄMMELSE  
AV UYGUNLUK BEYAN  
ДЕКЛАРАЦИЯ СООТВЕТСТВИЯ НОРМАМ ЕС  
ДЕКЛАРАЦІЯ ВІДПОВІДНОСТІ ВИМОГАМ ЄС  
ЕС ДЕКЛАРАЦІЯ ЗА СЪОТВЕТСТВИЕ  
DEKLARACJA ZGODNOŚCI UE  
EU-ERKLÆRING OM SAMSVAR  
EU-VAATIMUSTENMUKAISUUSVAKUUTUS  
EU PROHLÁŠENÍ O SHODĚ

EÚ VYHLÁŠENIE O ZHODE  
EU MEGFELELŐSÉGI NYILATKOZAT  
IZJAVA EU O SKLADNOSTI  
DECLARAȚIE DE CONFORMITATE UE  
EL-I VASTAVUSDEKLARATSIOON  
ES ATBILSTĪBAS DEKLARĀCIJA  
ES ATITIKTIES DEKLARACIJA  
EU IZJAVA O SUKLADNOSTI  
EU IZJAVA O USAGLAŠENOSTI

**MITSUBISHI ELECTRIC CONSUMER PRODUCTS (THAILAND) CO., LTD**  
**700/406 MOO 7, TAMBON DON HUA ROH, AMPHUR MUANG, CHONBURI 20000, THAILAND**

hereby declares under its sole responsibility that the air conditioner(s) and heat pump(s) for use in residential, commercial, and light-industrial environments described below:  
erklärt hiermit auf seine alleinige Verantwortung, dass die Klimaanlage(n) und Wärmepumpe(n) für das häusliche, kommerzielle und leichtindustrielle Umfeld wie unten beschrieben:  
déclare par la présente et sous sa propre responsabilité que le(s) climatiseur(s) et la/les pompe(s) à chaleur destinés à un usage dans des environnements résidentiels, commerciaux et d'industrie légère décrits ci-dessous :  
verklaart hierbij onder eigen verantwoordelijkheid dat de voor huishoudelijke, handels- en lichtindustriële omgevingen bestemde airconditioner(s) en warmtepomp(en) zoals onderstaand beschreven:

por la presente declara, bajo su exclusiva responsabilidad, que el(los) acondicionador(es) de aire y la(s) bomba(s) de calor previsto(s) para su uso en entornos residenciales, comerciales y de industria ligera que se describen a continuación:

conferma con la presente, sotto la sua esclusiva responsabilità, che i condizionatori d'aria e le pompe di calore destinati all'utilizzo in ambienti residenziali, commerciali e semi-industriali e descritti di seguito:

με το παρόν δηλώνει με αποκλειστική ευθύνη ότι το ή τα κλιματιστικά και η ή οι αντλίες θερμότητας για χρήση σε οικιακά, εμπορικά και επαγγελματικά περιβάλλοντα που περιγράφονται παρακάτω:

declara pela presente, e sob sua exclusiva responsabilidade, que o(s) aparelho(s) de ar condicionado e a(s) bomba(s) de calor destinados a utilização em ambientes residenciais, comerciais e de indústria ligeira descritos em seguida:

erklærer hermed under eneansvar, at det/de herunder beskrevne airconditionanlæg og varmepumpe(r) til brug i beboelses- og erhvervs miljøer samt i miljøer med let industri:

intyggar härmed att luftkonditioneringarna och värmepumparna som beskrivs nedan för användning i bostäder, kommersiella miljöer och lätta industriella miljöer:

ev, ticaret ve hafif sanayi ortamlarında kullanıma yönelik aşağıda açıklanan klima ve ısıtma pompalarıyla ilgili aşağıdaki hususları yalnızca kendi sorumluluğunda olmak üzere beyan eder:

настоящим заявляет под свою исключительную ответственность, что кондиционер (-ы) и тепловой (-ые) насос (-ы) для использования в описанных ниже жилых, коммерческих и небольших складских и промышленных помещениях:

цим заявляю, беручи на себе повну відповідальність за це, що кондиціонер (-и) й тепловий (-и) насос (-и), описані нижче й призначені для використання в житлових приміщеннях, торговельних залах і на підприємствах легкої промисловості:

декларира с настоящата на своя собствена отговорност, че климатикъ(т)е и термомпата(ите), посочени по-долу и предназначени за употреба в жилищни, търговски и лекопромишлени среди:

niniejszym oświadczam na swoją wyłączną odpowiedzialność, że klimatyzatory i pompy ciepła do zastosowań w środowisku mieszkalnym, handlowym i lekko przemysłowym opisane poniżej:

erklærer et fullstendig ansvar for undernevnte klimaapparat og varmepumper ved bruk i boliger, samt kommersielle og lettindustrielle miljøer:

vakuuttaa täten yksinomaista vastuutaan, että jäljempänä kuvutat asuinrakennuksiin, pienteeollisuuskäyttöön ja kaupalliseen käyttöön tarkoitettuihin ilmastointilaitteisiin ja lämpöpumpuihin:

tímto na vlastní odpovědnost prohlašuje, že níže popsané klimatizační jednotky a tepelná čerpadla pro použití v obytných prostředích, komerčních prostředích a prostředích lehkého průmyslu:

týmto na svoju výlučnú zodpovednosť vyhlasuje, že nasledovné klimatizačné jednotky a tepelné čerpadlá určené na používanie v obytných a obchodných priestoroch a v prostredí ľahkého priemyslu:

alulírott kizárólagos felelősségére nyilatkozik, hogy az alábbi lakossági, kereskedelmi és kisipari környezetben való használatra szánt klímaberendezés(ek) és hőszivattyú(k):

na lastno odgovornost izjavlja, da so spodaj opisane klimatske naprave in toplotne črpalke, namenjene za uporabo v stanovanjskih, poslovnih in lahkoindustrijskih okoljih:

declară prin prezenta, pe proprie răspundere, faptul că aparatele de climatizare și pompele de căldură descrise mai jos și destinate utilizării în medii rezidențiale, comerciale și din industria ușoară:

kinnitab oma ainuvastutust, et allpool toodud elu-, äri- ja kergtööstuskeskkondades kasutamiseks mõeldud kliimaseadmed ja soojuspumbad:

ar šo, vienpersoniski uzņemoties atbildību, paziņo, ka tālāk aprakstītais(-tie) gaisa kondicionētājs(-i) un siltumsūkņis(-i) ir paredzēti lietošanai dzīvojamajās, komercdarbības un vieglās rūpniecības telpās, kas aprakstītas tālāk:

šiuo vien tik savo atsakomybe pareiškia, kad toliau apibūdintas (-i) oro kondicionierius (-iai) ir šilumos siurblys (-iai), skirtas (-i) naudoti toliau apibūdintose gyvenamosiose, komercinėse ir lengvosios pramonės aplinkose:

ovime izjavljuje pod isključivom odgovornošću da je/su klimatizacijski uređaji(i) i toplinska dizalica(e) opisan(i) u nastavku namijenjen(i) za upotrebu u stambenim i poslovnim okruženjima te okruženjima lake industrije:

ovim izjavljuje na svoju isključivu odgovornost da su klima-uređaji i toplotne pumpe za upotrebu u stambenim, komercijalnim okruženjima i okruženjima lake industrije opisani u nastavku:

**MITSUBISHI ELECTRIC, SUZ-SWM30VA\*, SUZ-SWM40VA\*, SUZ-SWM60VA\*, SUZ-SWM80VA\*, SUZ-SWM100VA\***  
**SUZ-SHWM30VAH\*, SUZ-SHWM40VAH\*, SUZ-SHWM60VAH\*, SUZ-SWM80VAH\*, SUZ-SWM100VAH\***  
**\* : , , 1, 2, 3, . . . , 9**

is/are in conformity with provisions of the following Union harmonisation legislation.  
die Bestimmungen der folgenden Harmonisierungsrechtsvorschriften der Union erfüllen/

erfüllen.  
est/sont conforme(s) aux dispositions de la législation d'harmonisation de l'Union

suivante.  
voldoet/voldoen aan bepalingen van de volgende harmonisatiewetgeving van de Unie.

cumple(n) con las disposiciones de la siguiente legislación de armonización de la Unión.

sono in conformità con le disposizioni della seguente normativa dell'Unione sull'armonizzazione.

συμμορφώνονται με τις διατάξεις της ακόλουθης νομοθεσίας εναρμόνισης της Ένωσης.

está/estão em conformidade com as disposições da seguinte legislação de harmonização da União.

er i overensstemmelse med bestemmelse i følgende harmoniserede EU-lovgivning.

uppfyller villkoren i följande harmoniserade föreskrifter inom unionen.

აşağıdaki Avrupa Birliği uyumlaştırma mevzuatının hükümlerine uygundur.

соответствуют положениям следующих законодательных актов Союза о гармонизации.

2014/35/EU: Low Voltage Directive  
2006/42/EC: Machinery Directive  
2014/30/EU: Electromagnetic Compatibility Directive  
2011/65/EU, (EU) 2015/863 and (EU) 2017/2102: RoHS Directive  
2009/125/EC: Energy-related Products Directive and Regulation (EU) No 813/2013

відповідають положенням вказаного далі законодавства Союзу щодо гармонізації.  
е/са в съответствие с разпоредбите на следното законодателство на Съюза за

хармонизация.  
są zgodne z przepisami następującego unijnego prawodawstwa harmonizacyjnego.

er i samsvar med forskriftene til følgende EU-lovgivning om harmonisering.

ovat seuraavan unionin yhdenmukaistamislainsäädännön säännösten mukaisia.

jsou v souladu s ustanoveními následujících harmonizačních právních předpisů Unie.

spĺňajú ustanovenia nasledujúcich harmonizovaných noriem EÚ.

megfelel(nek) az Unió alábbi harmonizációs jogszabályi előírásainak.

in skladu z določbami naslednje usklajevalne zakonodaje Unije.

sunt în conformitate cu dispozițiile următoare legislații de armonizare a Uniunii.

vastavad järgmiste Euroopa Liidu ühtlustatud õigusaktide sätetele.

atbilst šādiem ES harmonizētājiem tiesību aktu noteikumiem.

taip pat atitinka kitų toliau išvardytų suderintųjų Sąjungos direktyvų nuostatas.

sukladan(i) odredbama sljedećeg zakonodavstva Unije za sukladnost.

u skladu sa odredbama sledećeg usklađivanja zakonodavstva Unije.

## <ENGLISH>

English is original. The other languages versions are translation of the original.

### ▲ CAUTION

- Refrigerant leakage may cause suffocation. Provide ventilation in accordance with EN378-1.
- Be sure to wrap insulation around the piping. Direct contact with the bare piping may result in burns or frostbite.
- Never put batteries in your mouth for any reason to avoid accidental ingestion.
- Battery ingestion may cause choking and/or poisoning.
- Install the unit on a rigid structure to prevent excessive operation sound or vibration.
- The A-weighted sound pressure level is below 70dB.
- This appliance is intended to be used by expert or trained users in shops, in light industry and on farms, or for commercial use by lay persons.

## <DEUTSCH>

Das Original ist in Englisch. Die anderen Sprachversionen sind vom Original übersetzt.

### ▲ VORSICHT

- Wenn Kältemittel austritt, kann dies zu Ersticken führen. Sorgen Sie in Übereinstimmung mit EN378-1 für Durchlüftung.
- Die Leitungen müssen isoliert werden. Direkter Kontakt mit nicht isolierten Leitungen kann zu Verbrennungen oder Erfrierungen führen.
- Nehmen Sie niemals Batterien in den Mund, um ein versehentliches Verschlucken zu vermeiden.
- Durch das Verschlucken von Batterien kann es zu Erstickungen und/oder Vergiftungen kommen.
- Installieren Sie das Gerät auf einem stabilen Untergrund, um übermäßige Betriebsgeräusche oder -schwingungen zu vermeiden.
- Der A-gewichtete Schalldruckpegel ist niedriger als 70dB.
- Dieses Gerät ist vorgesehen für die Nutzung durch Fachleute oder geschultes Personal in Werkstätten, in der Leichtindustrie und in landwirtschaftlichen Betrieben oder für die kommerzielle Nutzung durch Laien.

## <FRANÇAIS>

L'anglais est l'original. Les versions fournies dans d'autres langues sont des traductions de l'original.

### ▲ PRECAUTION

- Une fuite de réfrigérant peut entraîner une asphyxie. Fournissez une ventilation adéquate en accord avec la norme EN378-1.
- Assurez-vous que la tuyauterie est enveloppée d'isolant. Un contact direct avec la tuyauterie nue peut entraîner des brûlures ou des engelures.
- Ne mettez jamais des piles dans la bouche pour quelque raison que ce soit pour éviter de les avaler par accident.
- Le fait d'ingérer des piles peut entraîner un étouffement et/ou un empoisonnement.
- Installez l'appareil sur une structure rigide pour prévenir un bruit de fonctionnement et une vibration excessifs.
- Le niveau de pression acoustique pondéré est en dessous de 70 dB.
- Cet appareil est conçu pour un utilisateur expert ou les utilisateurs formés en magasin, dans l'industrie légère et dans l'agriculture ou dans le commerce par le profane.

## <NEDERLANDS>

Het Engels is het origineel. De andere taalversies zijn vertalingen van het origineel.

### ▲ VOORZICHTIG

- Het lekken van koelvoelstof kan verstikking veroorzaken. Zorg voor ventilatie in overeenstemming met EN378-1.
- Isoleer de leidingen met isolatiemateriaal. Direct contact met de onbedekte leidingen kan leiden tot brandwonden of bevriezing.
- Stop nooit batterijen in uw mond om inslikking te voorkomen.
- Het inslikken van batterijen kan verstikking of vergiftiging veroorzaken.
- Installeer het apparaat op een stabiele structuur om overmatig lawaai of trillingen te voorkomen.
- Het niveau van de geluidsdruk ligt onder 70 dB(A).
- Dit apparaat is bedoeld voor gebruik door ervaren of opgeleide gebruikers in werkplaatsen, in de lichte industrie en op boerderijen, of voor commercieel gebruik door leken.

## <ESPAÑOL>

El idioma original del documento es el inglés. Las versiones en los demás idiomas son traducciones del original.

### ▲ CUIDADO

- Las pérdidas de refrigerante pueden causar asfixia. Se debe proporcionar la ventilación determinada en EN378-1.
- Asegúrese de colocar el aislante alrededor de las tuberías. El contacto directo con la tubería puede ocasionar quemaduras o congelación.
- Para evitar una ingestión accidental, no coloque las pilas en su boca bajo ningún concepto.
- La ingestión de las pilas puede causar asfixia y/o envenenamiento.
- Coloque la unidad en una estructura rígida para evitar que se produzcan sonidos o vibraciones excesivos debidos a su funcionamiento.
- El nivel de presión acústica ponderado A es inferior a 70 dB.
- Este aparato está destinado a su uso por parte de usuarios expertos o capacitados en talleres, industrias ligeras y granjas, o a su uso comercial por parte de personas no expertas.

## <ITALIANO>

Il testo originale è redatto in lingua Inglese. Le altre versioni linguistiche rappresentano traduzioni dell'originale.

### ▲ ATTENZIONE

- Le perdite di refrigerante possono causare asfissia. Prevedere una ventilazione adeguata in conformità con la norma EN378-1.
- Accertarsi di applicare materiale isolante intorno alle tubature. Il contatto diretto con le tubature non schermate può provocare ustioni o congelamento.
- Non introdurre in nessun caso le batterie in bocca onde evitare ingestioni accidentali.
- L'ingestione delle batterie può provocare soffocamento e/o avvelenamento.
- Installare l'unità su una struttura rigida in modo da evitare rumore o vibrazioni eccessivi durante il funzionamento.
- Il livello di pressione del suono ponderato A è inferiore a 70dB.
- Questa apparecchiatura è destinata all'utilizzo da parte di utenti esperti o addestrati in negozi, industria leggera o fattorie oppure a un uso commerciale da parte di persone non esperte.

## <ΕΛΛΗΝΙΚΑ>

Η γλώσσα του πρωτοτύπου είναι η αγγλική. Οι εκδόσεις άλλων γλωσσών είναι μεταφράσεις του πρωτοτύπου.

### ▲ ΠΡΟΣΟΧΗ

- Η διαρροή του ψυκτικού ενδέχεται να προκαλέσει ασφυξία. Φροντίστε για τον εξαερισμό σύμφωνα με το πρότυπο EN378-1.
- Φροντίστε να τυλίξετε με μονωτικό υλικό τη σωλήνωση. Η απευθείας επαφή με τη γυμνή σωλήνωση ενδέχεται να προκαλέσει εγκαυματα ή κρυοπαγήματα.
- Μη βάζετε ποτέ τις μπαταρίες στο στόμα σας για κανένα λόγο ώστε να αποφύγετε την κατά λάθος κατάποσή τους.
- Η κατάποση μπαταριών μπορεί να προκαλέσει πνιγμό ή/και δηλητηρίαση.
- Εγκαταστήστε τη μονάδα σε σταθερή κατασκευή ώστε να αποφύγετε τον έντονο ήχο λειτουργίας ή τους κραδασμούς.
- Η Α-σταθμισμένη στάθμη ηχητικής πίεσης είναι κάτω των 70dB.
- Η Α-σταθμισμένη στάθμη ηχητικής πίεσης είναι κάτω των 70dB.
- Η συσκευή αυτή προορίζεται για χρήση από εμπειρογούς ή εκπαιδευμένους χρήστες σε καταστήματα, στην ελαφριά βιομηχανία και σε αγροκτήματα, ή για εμπορική χρήση από άτομα τα οποία δεν είναι ειδήμονες.

## <PORTUGUÊS>

O idioma original é o inglês. As versões em outros idiomas são traduções do idioma original.

### ▲ CUIDADO

- A fuga de refrigerante pode causar asfixia. Garanta a ventilação em conformidade com a norma EN378-1.
- Certifique-se de que envolve as tubagens com material de isolamento. O contacto directo com tubagens não isoladas pode resultar em queimaduras ou ulcerações provocadas pelo frio.
- Nunca coloque pilhas na boca, por nenhum motivo, para evitar a ingestão accidental.
- A ingestão de uma pilha pode causar obstrução das vias respiratórias e/ou envenenamento.
- Instale a unidade numa estrutura robusta, de forma a evitar ruídos ou vibrações excessivos durante o funcionamento.
- O nível de pressão sonora ponderado A é inferior a 70 dB.
- Este equipamento destina-se a ser utilizado por especialistas ou utilizadores com formação em lojas, na indústria ligeira e em quintas, ou para utilização comercial por leigos.

## <DANSK>

Engels er originalen. De andre sprogversioner er oversættelser af originalen.

### ▲ FORSIGTIG

- Lækage af kølemiddel kan forårsage kvælning. Sørg for udluftning i overensstemmelse med EN378-1.
- Sørg for at pakke rørene ind i isolering. Direkte kontakt med ubeklædte rør kan forårsage forbrændinger eller forfrysninger.
- Batterier må under ingen omstændigheder tages i munden for at forhindre utilsigtet indtagelse.
- Indtagelse af batterier kan forårsage kvælning og/eller forgiftning.
- Installer enheden på en fast struktur for at forhindre for høje driftslyde eller vibrationer.
- Det A-vægtede lydtrykniveau er under 70dB.
- Dette apparat er beregnet til at blive brugt af eksperter eller udlærte brugere i butikker, inden for let industri og på gårde eller til kommerciel anvendelse af lægmænd.

## <SVENSKA>

Engelska är originalspråket. De övriga språkversionerna är översättningar av originalet.

### ▲ FÖRSIKTIGHET

- Köldmedelsläckage kan leda till kvävning. Tillhandahåll ventilation i enlighet med EN378-1.
- Kom ihåg att linda isolering runt rören. Direktkontakt med bara rör kan leda till brännskador eller köldskador.
- Stoppa aldrig batterier i munnen, de kan sväljas av misstag.
- Om ett batteri sväljs kan det leda till kvävning och/eller förgiftning.
- Montera enheten på ett stadigt underlag för att förhindra höga driftljud och vibrationer.
- Den A-vägdade ljudtrycksnivån är under 70dB.
- Denna apparat är ämnad för användning av experter eller utbildade användare i affärer, inom lätt industri och på lanbruk, eller för kommersiell användning av lekmän.

## <TÜRKÇE>

Aslı İngilizce'dir. Diğer dillerdeki sürümler aslının çevirisidir.

### ▲ DİKKAT

- Soğutucu kaçağı boğulmaya neden olabilir. EN378-1 uyarınca uygun havalandırma sağlayın.
- Borular etrafına yalıtım yapıldığından emin olun. Borulara doğrudan çıplak elle dokunulması yanıklara veya soğuk ısırıklarına neden olabilir.
- Kazara yutmamak için, pilleri kesinlikle hiçbir amaçla ağzınızda tutmayın.
- Pillerin yutulması boğulmaya ve/veya zehirlenmeye yol açabilir.
- Aşırı çalıma seslerini veya titreşimi önlemek için, üniteyi sağlam bir yapı üzerine monte edin.
- A ağırıklı ses gücü seviyesi 70dB'nin altındadır.
- Bu cihaz tıbbiyleerde, hafif endüstriyel tesislerde ve çiftliklerde uzman veya eğitimli kullanıcılar tarafından kullanılmak üzere veya normal kullanıcılar tarafından ticari kullanım için tasarlanmıştır.

## <РУССКИЙ>

Языком оригинала является английский. Версии на других языках являются переводом оригинала.

### ▲ ОСТОРОЖНО

- Утечка хладагента может стать причиной удушья. Обеспечьте вентиляцию в соответствии с EN378-1.
- Обязательно оберните трубы изоляционным материалом. Непосредственный контакт с неизолированным трубопроводом может привести к ожогам или обморожению.
- Запрещается класть элементы питания в рот по каким бы то ни было причинам во избежание случайного проглатывания.
- Попадание элемента питания в пищеварительную систему может стать причиной удушья и/или отравления.
- Устанавливайте устройство на жесткую структуру во избежание чрезмерного шума или чрезмерной вибрации во время работы.
- Уровень звукового давления по шкале A не превышает 70 дБ.
- Данное устройство предназначено для использования специалистами или обученным персоналом в магазинах, на предприятиях легкой промышленности и фермах или для коммерческого применения неспециалистами.

## <УКРАЇНСЬКА>

Переклад оригіналу. Текст іншими мовами є перекладом оригіналу.

### ▲ ОБЕРЕЖНО

- Виток холодагента може призвести до удушся. Необхідно забезпечити вентиляцію відповідно до стандарту EN 378-1.
- Труби необхідно обмотати ізоляційним матеріалом. Прямий контакт із непокритою трубою може призвести до опіку або обмороження.
- Забороняється класти елементи живлення в рот із будь-яких причин, оскільки є ризик випадково їх проковтнути.
- Попадання елемента живлення в травну систему може стати причиною задхуки та/або отруєння.
- Встановлюйте блок на міцній конструкції, щоб уникнути надмірного рівня звуку роботи або вібрації.
- Рівень амплітудно зваженого акустичного тиску становить нижче 70 дБ.
- Цей прилад призначається для використання спеціалістами або особами, що пройшли відповідне навчання, у кранницях, легкій промисловості та сільськогосподарських підприємствах, а також для комерційного використання неспеціалістами.

## <БЪЛГАРСКИ>

Оригиналът е текстът на английски език. Версиите на други езици са преводи на оригинала.

### ▲ ВНИМАНИЕ

- Изтичането на хладилен агент може да причини задушаване. Осигурете вентилация съобразно с EN378-1.
- Не забравяйте да уветите изолация около тръбите. Директният контакт с оголени тръби може да причини изгаряне или измръзване.
- При никакви обстоятелства не поставяйте батериите в устата си, за да не ги поглънете по невнимание.
- Това може да доведе до задушаване и/или натравяне.
- Монтирайте тялото върху твърда конструкция, за да предотвратите прекомерен шум или вибрации по време на работа.
- А-претегленото ниво на звуково налягане е под 70 dB.
- Този уред е предназначен за използване от експерти или обучени потребители в магазини, в леката промисленост и във ферми, или за търговска употреба от неспециалисти.





Please be sure to put the contact address/telephone number on this manual before handing it to the customer.

**mitsubishi electric corporation**

HEAD OFFICE: TOKYO BUILDING, 2-7-3, MARUNOUCHI, CHIYODA-KU, TOKYO 100-8310, JAPAN

# Air to Water Heat Pump SUZ-SWM·VA(H) series SUZ-SHWM·VAH series

INSTALLATION MANUAL	FOR INSTALLER	English
INSTALLATIONSHANDBUCH	FÜR INSTALLATEURE	Deutsch
MANUEL D'INSTALLATION	POUR L'INSTALLATEUR	Français
INSTALLATIEHANDLEIDING	VOOR DE INSTALLATEUR	Nederlands
MANUAL DE INSTALACIÓN	PARA EL INSTALADOR	Español
MANUALE DI INSTALLAZIONE	PER L'INSTALLATORE	Italiano
ΕΓΧΕΙΡΙΔΙΟ ΟΔΗΓΙΩΝ ΕΓΚΑΤΑΣΤΑΣΗΣ	ΓΙΑ ΑΥΤΟΝ ΠΟΥ ΚΑΝΕΙ ΤΗΝ ΕΓΚΑΤΑΣΤΑΣΗ	Ελληνικά
MANUAL DE INSTALAÇÃO	PARA O INSTALADOR	Português
INSTALLATIONSMANUAL	TIL INSTALLATØREN	Dansk
INSTALLATIONSMANUAL	FÖR INSTALLATÖREN	Svenska
MONTAJ ELKİTABI	MONTÖR İÇİN	Türkçe
РУКОВОДСТВО ПО УСТАНОВКЕ	ДЛЯ УСТАНОВИТЕЛЯ	Русский
ПОСІБНИК З УСТАНОВЛЕННЯ	ДЛЯ СПЕЦІАЛІСТА З МОНТАЖУ	Українська
РЪКОВОДСТВО ЗА МОНТАЖ	ЗА МОНТАЖНИКА	Български
INSTRUKCJA MONTAŻU	DLA INSTALATORA	Polski
INSTALLASJONSHÅNDBOK	FOR MONTØR	Norsk
ASENNUSOPAS	ASENTAJALLE	Suomi
INSTALAČNÍ PŘÍRUČKA	PRO MONTÁŽNÍ PRACOVNÍKY	Čeština
NÁVOD NA INŠTALÁCIU	PRE MONTÉRA	Slovenčina
TELEPÍTÉSI KÉZIKÖNYV	A TELEPÍTŐ RÉSZÉRE	Magyar
NAMESTITVENI PRIROČNIK	ZA MONTERJA	Slovenščina
MANUAL DE INSTALARE	PENTRU INSTALATOR	Română
PAIGALDUSJUHEND	PAIGALDAJALE	Eesti
MONTĀŽAS ROKASGRĀMATA	UZSTĀDĪŠANAS SPECIĀLISTAM	Latviski
MONTAVIMO VADOVAS	SKIRTA MONTUOTOJUI	Lietuviškai
PRIRUČNIK ZA POSTAVLJANJE	ZA INSTALATERA	Hrvatski
UPUTSTVO ZA UGRADNJU	ZA MONTERA	Srpski

1. Veiligheidsvoorschriften . . . . .	1	6. Elektrische aansluitingen . . . . .	9
2. De installatieplaats kiezen . . . . .	3	7. Onderhoud . . . . .	10
3. Installatieschema . . . . .	5	8. Waterleidingwerk . . . . .	11
4. Afvoerleidingen voor buitenunit . . . . .	5	9. Leegpompen . . . . .	13
5. Koelleidingwerk . . . . .	6	10. Specificaties . . . . .	14



**Opmerking:** Dit symbool is alleen van toepassing voor EU-landen.

Dit symbool wordt gebruikt overeenkomstig richtlijn 2012/19/EU, artikel 14 "Informatie voor de gebruikers" en Bijlage IX.

Mitsubishi Electric producten zijn ontwikkeld en gefabriceerd uit eerste kwaliteit materialen. De onderdelen kunnen worden gerecycled en worden hergebruikt.

Het symbool betekent dat de elektrische en elektronische onderdelen op het einde van de gebruiksduur gescheiden van het huishoudelijk afval moeten worden ingezameld. Breng deze apparatuur dan naar het gemeentelijke afvalinzamelingspunt.

In de Europese Unie worden elektrische en elektronische producten afzonderlijk ingezameld.

Help ons mee het milieu te beschermen!

## VOORZICHTIG:

- Zorg ervoor dat geen R32 in de atmosfeer terecht komt.

## 1. Veiligheidsvoorschriften

- ▶ Lees alle "Veiligheidsvoorschriften" voordat u het apparaat installeert.
- ▶ Stel de aanleverende instantie op de hoogte of vraag om toestemming voordat u het systeem aansluit op het net.

### WAARSCHUWING:

Beschrijft maatregelen die genomen moeten worden om het risico van verwonding of dood van de gebruiker te voorkomen.

### VOORZICHTIG:

Beschrijft maatregelen die genomen moeten worden om schade aan het apparaat te voorkomen.

Informeer de klant na voltooiing van de installatie over de "Veiligheidsvoorschriften", het gebruik en het onderhoud van het apparaat en laat het apparaat proefdraaien om de werking ervan te controleren. Zowel de installatie- als de gebruikershandleiding dienen ter bewaring aan de gebruiker te worden gegeven. Deze handleidingen dienen te worden doorgegeven aan latere gebruikers.

: Geeft een onderdeel aan dat geaard moet worden.

### WAARSCHUWING:

Lees de stickers die op het apparaat zitten zorgvuldig.

: geeft waarschuwingen en aanwijzingen aan voor het gebruik van R32-koelmiddel.

## BETEKENIS VAN DE PICTOGRAMMEN OP DE BINNENUNIT EN/OF BUITENUNIT

	<b>WAARSCHUWING</b> (Brandgevaar)	Dit symbool geldt alleen voor het koelmiddel R32. Het type koelmiddel is te vinden op het typeplaatje van de buitenunit. Als het type koelmiddel R32 is, gebruikt dit apparaat een ontvlambaar koelmiddel. Als er koelmiddel lekt en dit in contact komt met vuur of een warmtebron, ontstaat er een schadelijk gas en bestaat er brandgevaar.
		Lees de <b>BEDIENINGSHANDLEIDING</b> zorgvuldig vóór ingebruikname.
		Onderhoudsmonteurs zijn verplicht om de <b>BEDIENINGSHANDLEIDING</b> en de <b>INSTALLATIEHANDLEIDING</b> zorgvuldig te lezen vóór ingebruikname.
		Raadpleeg voor meer informatie de <b>BEDIENINGSHANDLEIDING</b> , de <b>INSTALLATIEHANDLEIDING</b> en dergelijke.

### WAARSCHUWING:

- Het apparaat mag niet door de gebruiker zelf worden geïnstalleerd. Vraag een dealer of een erkende installateur om het apparaat te installeren en te repareren. Als het apparaat niet correct wordt geïnstalleerd, kan dit leiden tot waterlekkage, elektrische schokken of brand.
- Volg voor installatie en verplaatsing de instructies in de installatiehandleiding en gebruik gereedschap en pijpmateriaal dat speciaal is gemaakt voor gebruik met R32-koelmiddel. Wanneer niet voor R32-koelstof ontworpen pijpdelen worden gebruikt en het apparaat onjuist wordt geïnstalleerd, kunnen de pijpen knappen waardoor schade of letsel kan ontstaan. Daarnaast kunnen waterlekkage, elektrische schokken of brand optreden.
- Het apparaat dient volgens de instructies te worden geïnstalleerd om het risico op beschadiging bij een aardbeving of storm te beperken. Een onjuist geïnstalleerd apparaat kan vallen en schade of letsel veroorzaken.
- Het apparaat moet worden geïnstalleerd op een constructie die het gewicht ervan kan dragen. Als het apparaat wordt geïnstalleerd op een instabiele constructie, kan het vallen en schade of letsel veroorzaken.
- Als de lucht-naar-water warmtepomp in een kleine ruimte wordt geïnstalleerd, moeten maatregelen worden genomen tegen het weglekken van koelstof. De concentratie weggelekte koelstof in de lucht mag de grenswaarden niet overschrijden. Vraag de dealer wat u tegen het overmatig weglekken van koelstof kunt doen. Als de concentratie koelstof in de lucht te hoog wordt, kan zuurstofgebrek in de ruimte optreden.
- Ventileer de ruimte als er koelstof weglekt wanneer het apparaat in werking is. Als de koelstof in contact komt met vuur, komen giftige gassen vrij.
- De installatie van de elektrische onderdelen moet worden uitgevoerd door een gediplomeerde elektriciën in overeenstemming met de lokale regelgeving en de instructies in deze handleiding. Installeer stroomonderbrekers en zorg voor een juiste voedingsspanning. Sluit geen andere apparatuur aan op de voedingsleidingen van de apparaten. Onjuist geïnstalleerde of ongeschikte voedingsleidingen kunnen elektrische schokken of brand veroorzaken.
- Gebruik fosforhoudende, zuurstofarme, naadloze C1220-pijpen van koper of koperlegeringen als koelstofpijpen. Als de pijpen onjuist worden aangesloten, is het apparaat niet goed geaard en kunnen elektrische schokken optreden.
- Dit toestel is bedoeld voor gebruik door deskundige of getrainde gebruikers in winkels, in de lichte industrie en op boerderijen, of voor commercieel gebruik door leken.
- Gebruik uitsluitend de gespecificeerde kabels voor het verbinden. De aansluitingen moeten stevig vastzitten zonder druk op de aansluitpunten. Splijt de kabels nooit voor het bedraden (tenzij in deze handleiding anders wordt aangegeven). Het niet opvolgen van deze aanwijzingen kan leiden tot oververhitting of brand.
- Als de voedingskabel beschadigd is, moet die worden vervangen door de fabrikant, diens serviceverlener of een vergelijkbaar gekwalificeerde persoon, om gevaren te vermijden.
- Installeer het apparaat conform de nationaal geldende regels.
- Het deksel van het aansluitblok van het buitenapparaat moet stevig worden vastgemaakt. Bij onjuiste montage van het deksel kunnen stof en vocht in het apparaat komen, wat een elektrische schok of brand kan veroorzaken.

# 1. Veiligheidsvoorschriften

- Gebruik bij het installeren of verplaatsen van het apparaat uitsluitend de voorgeschreven koelstof (R32) voor het vullen van de koelstofpijpen. Meng de koelstof niet met andere koelstoffen en let erop dat er geen lucht in de pijpen achterblijft. Als de koelstof wordt gemengd met lucht, kan dit een uitzonderlijk hoge druk in de koelstofpijp tot gevolg hebben. Dit kan resulteren in explosiegevaar en andere gevaren.

Als er een andere koelstof wordt gebruikt dan de voorgeschreven koelstof, heeft dit mechanische storingen, storingen van het systeem of uitval van het apparaat tot gevolg. In het ergste geval kan de veiligheid van het product ernstig in gevaar komen.

- Gebruik uitsluitend door Mitsubishi Electric goedgekeurde accessoires en vraag de dealer of een erkende installateur deze te installeren. Onjuiste installatie van accessoires kan leiden tot waterlekage, elektrische schokken of brand.
- Breng geen wijzigingen aan het apparaat aan. Dit kan brand, elektrische schokken, letsel en waterlekages veroorzaken.
- De gebruiker mag nooit proberen het apparaat zelf te repareren of te verplaatsen. Onjuiste installatie van het apparaat kan leiden tot waterlekage, elektrische schokken of brand. Als de lucht-naar-water warmtepomp moet worden gerepareerd of verplaatst, neem dan contact op met de dealer of een erkende installateur.
- Pomp NIET leeg met de compressor als het koelcircuit een lek heeft.
- Als u het koelmiddel uit het apparaat pompt, schakel de compressor dan uit voordat u de koelmiddelleidingen loskoppelt. De compressor kan barsten als er lucht etc. in komt.
- Controleer na voltooiing van de installatie op koelstoflekage. Als koelstof naar de ruimte lekt en in contact komt met de vlam van een verwarmings- of kookapparaat, komen giftige gassen vrij.
- Gebruik geen middelen om het ontdooiingsproces te versnellen of om te reinigen die niet zijn aanbevolen door de fabrikant.
- Het apparaat moet zich in een kamer bevinden zonder continu functionerende ontstekingsbronnen (zoals open vuur, een functionerend gastoestel of een functionerende elektrische kachel).

- Niet doorboren of verbranden.
- Houd er rekening mee dat koelmiddelen geurloos kunnen zijn.
- De leidingen moeten beschermd zijn tegen fysieke schade.
- De aanleg van leidingen moet tot een minimum worden beperkt.
- Er moet worden voldaan aan de nationale gasverordeningen.
- Blokkeer geen van de vereiste ventilatie-openingen.
- Gebruik geen lage-temperatuurlegering bij het solderen van de koelleidingen.
- Zorg bij het uitvoeren van soldeerwerkzaamheden dat de ruimte goed geventileerd is.  
Houd gevaarlijke en ontvlambare materialen uit de buurt.  
Wanneer u werkzaamheden in een kleine of afgesloten ruimte of een vergelijkbare plaats verricht, dient u vooraf te controleren of er geen koelmiddel is gelekt.  
Als koelmiddel lekt en zich verzamelt, kan het ontvlammen of kunnen er giftige gassen ontsnappen.
- Bewaar het apparaat in een goed geventileerde ruimte waarvan de afmetingen overeenkomen met het oppervlak dat voor gebruik is voorgeschreven.
- Houd gastoestellen, elektrische verwarmingstoestellen en andere brandhaarden (ontstekingsbronnen) uit de buurt van de plaats waar installatie-, reparatie- en andere werkzaamheden aan de lucht-naar water warmtepomp worden uitgevoerd.  
Als koelmiddel met vuur in contact komt, komen er giftige gassen vrij.
- Rook niet bij werkzaamheden en vervoer.
- Voeg niet meer koelmiddel toe dan de maximale hoeveelheid voor elke buiteenheid. Als de maximale hoeveelheid koelmiddel wordt overschreden, kan dit tot een brand leiden wanneer het koelmiddel lekt.

## 1.1. Voor de installatie



### VOORZICHTIG:

- Gebruik het apparaat niet in bijzondere omgevingen. Installeer de lucht-naar-water warmtepomp niet in ruimtes waarin deze wordt blootgesteld aan stoom, vluchtige olie (inclusief machineolie) of zwavelgas, gebieden met een zout klimaat zoals de kust of gebieden waar de warmtepomp kan worden bedekt door sneeuw, omdat hierdoor de prestaties aanzienlijk kunnen verminderen en schade kan ontstaan aan de interne onderdelen.
- Installeer het apparaat niet in ruimtes waar brandbare gassen worden geproduceerd of kunnen lekken, stromen of samenstromen. Ophoping van brandbare gassen rond het apparaat kan leiden tot brand of een explosie.

- Het buitenapparaat produceert condens tijdens de verwarmingsfase. Zorg voor afvoer rond het buitenapparaat als dergelijk condensvocht schade kan veroorzaken.
- Houd rekening met geluid en elektrische storingen bij installatie van het apparaat in een ziekenhuis of communicatieruimte. Stroomomzetters, huishoudelijke apparaten, hoogfrequente medische apparatuur en radiocommunicatieapparatuur kunnen storingen in de lucht-naar-water warmtepomp veroorzaken. Omgekeerd kan de lucht-naar-water warmtepomp medische apparatuur en daardoor de medische zorg negatief beïnvloeden, evenals de communicatieapparatuur met verminderde weergavekwaliteit van beeldschermen tot gevolg.

## 1.2. Voor de installatie (verplaatsing)



### VOORZICHTIG:

- Wees uitermate voorzichtig bij het vervoeren of installeren van de behuizingen. Het apparaat dient door twee of meer personen te worden getild, aangezien het 20 kg of meer weegt. Til het apparaat niet op aan de verpakingsbanden. Draag beschermende handschoenen als u de behuizing uit de verpakking haalt en bij het vervoeren ervan, omdat u uw handen kunt bezeren aan de ventilatoren, de randen of andere delen.
- Zorg dat het verpakkingsmateriaal op een veilige manier wordt weggevoerd. Verpakkingsmaterialen zoals klemmen en andere metalen of houten onderdelen kunnen snijwonden of ander letsel veroorzaken.

- Controleer de dragende constructie en bevestiging van het buitenapparaat regelmatig op loszitten, scheuren of andere beschadigingen. Als dergelijke problemen niet worden verholpen, kan het apparaat vallen en schade of letsel veroorzaken.
- Gebruik geen water om de lucht-naar-water warmtepomp te reinigen. Hierdoor kunnen elektrische schokken optreden.
- Trek alle flensmoeren aan tot het opgegeven aanhaalmoment met een momentsleutel. Bij overmatig aantrekken kan de flensmoer na enige tijd breken waardoor koelstof kan weglekken.

## 1.3. Voor de installatie van de elektrische bedrading



### VOORZICHTIG:

- Installeer stroomonderbrekers. Als er geen stroomonderbrekers worden geïnstalleerd, kunnen elektrische schokken optreden.
- Gebruik voor de voedingsleidingen standaardkabels met voldoende capaciteit. Te lichte kabels kunnen kortsluiting, oververhitting of brand veroorzaken.
- Oefen bij de installatie van de voedingsleidingen geen trekkracht uit op de kabels. Als de aansluitingen loszitten, kunnen de kabels loskomen of breken en oververhitting of brand veroorzaken.

- Zorg ervoor dat het apparaat goed is geaard. Sluit de aardleiding niet aan op een gas- of waterleiding, bliksemafleider of aardleiding voor de telefoon. Onjuiste aarding van het apparaat kan elektrische schokken veroorzaken.
- Gebruik stroomonderbrekers (aardlekschakelaar, isolatieschakelaar (+B-zekering) en onderbreker met gegoten behuizing) met de opgegeven capaciteit. Het gebruik van stroomonderbrekers met een te hoge capaciteit

# 1. Veiligheidsvoorschriften

## 1.4. Voor het proefdraaien

### **VOORZICHTIG:**

- Zet de netspanningsschakelaar ten minste 12 uur voordat u het apparaat gaat gebruiken aan. Als u het apparaat direct na het aanzetten van de netspanningsschakelaar inschakelt, kunnen de interne onderdelen ernstig beschadigd raken. Laat de netspanningsschakelaar altijd aanstaan gedurende het seizoen waarin u het apparaat gebruikt.
- Controleer voordat u begint met proefdraaien of alle panelen, beveiligingen en andere beschermende onderdelen goed zijn geïnstalleerd. Draaiende of warme onderdelen of onderdelen onder hoge spanning kunnen letsel veroorzaken.

- Raak de schakelaars nooit met natte vingers aan. Hierdoor kan een elektrische schok optreden.
- Raak de koelstofpijpen niet met blote handen aan als het apparaat in werking is. De koelstofpijpen zijn heet of koud afhankelijk van de toestand van de koelstof. Bij het aanraken van de pijpen kunt u brandwonden of bevriezingen oplopen.
- Wacht nadat het apparaat is uitgeschakeld ten minste vijf minuten voordat u de netspanningsschakelaar uitzet. Eerder uitzetten kan waterlekage of storingen veroorzaken.

## 1.5. Lucht-naar-water warmtepomp met R32-koelmiddel gebruiken

### **VOORZICHTIG:**

- Gebruik fosforhoudende, zuurstofarme, naadloze C1220-pijpen van koper of koperlegeringen als koelstofpijpen. Controleer of de binnenkant van de pijpen schoon is en vrij van schadelijke stoffen zoals zwavelverbindingen, oxidanten, vuil of stof. Gebruik pijpen van de opgegeven dikte. (Zie 4.1.) Let bij hergebruik van pijpen waarin R22-koelstof heeft gezeten op het volgende.
  - Vervang de bestaande flensmoeren en tromp de aansluitingsoppervlakken opnieuw op.
  - Gebruik geen dunne pijpen. (Zie 4.1.)
- Bewaar de pijpen die voor de installatie zullen worden gebruikt binnenshuis en laat de verzegeling aan beide uiteinden intact tot vlak voor het solderen. (Laat kniestukken, etc. in hun verpakking.) Het binnendringen van stof, vuil of vocht in de koelstofpijpen kan leiden tot achteruitgang van de olie of compressorstoringen.
- Gebruik esterolie, etherolie of alkylbenzeen (in kleine hoeveelheden) als koelolie om de aansluitingsoppervlakken af te dicht. Vermenging van de koelolie met mineraalolie kan leiden tot achteruitgang van de koelolie.

- Het onderhoud moet uitsluitend worden uitgevoerd conform de aanbevelingen van de fabrikant.
- Gebruik uitsluitend R32-koelstof. Bij gebruik van andere koelstoffen veroorzaakt de chloor achteruitgang van de koelolie.
- Gebruik gereedschap dat speciaal is ontworpen voor gebruik met R32-koelstof. Het volgende gereedschap is vereist om koelmiddel R32 te gebruiken. Neem voor vragen contact op met de dichtstbijzijnde dealer.

Gereedschap (voor R32)	
Verdeelventiel	Optrompgereedschap
Vulslang	Maatafstemmingsmeter
Gaslekdetector	Vacuumpompadapter
Momentsleutel	Elektronische koelstofdrukmeter

- Gebruik uitsluitend de juiste gereedschappen. Het binnendringen van stof, vuil of vocht in de koelstofpijpen kan leiden tot achteruitgang van de koelolie.

## 2. De installatieplaats kiezen

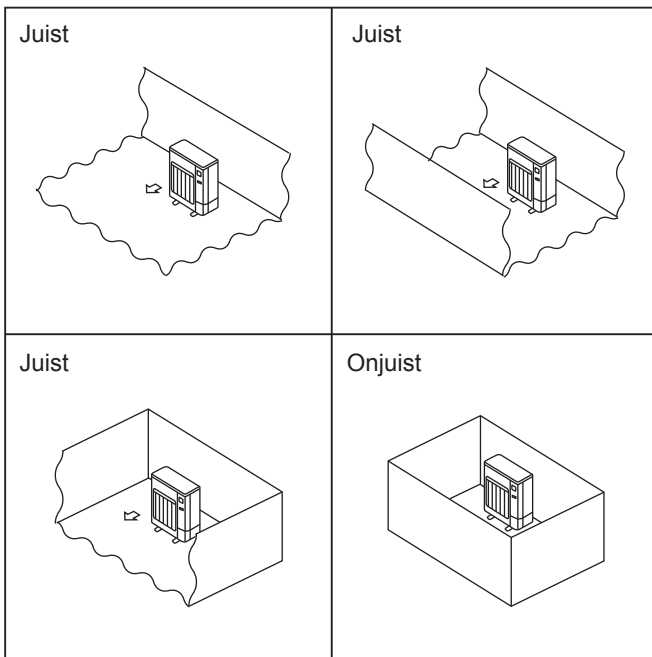


Fig. 2-1

### 2.1. Buitenunit

- R32 is zwaarder dan lucht—en andere koelmiddelen—dus zal het zich ophopen aan de onderkant (vlak bij de vloer). Als R32 zich ophoopt rond de onderkant, kan de concentratie ervan in een kleine ruimte oplopen tot een brandbaar niveau. Ter voorkoming van ontsteking moet een adequate ventilatie zorgen voor een veilige gebruiksomgeving. Als er koelmiddel lekt in een onvoldoende geventileerde ruimte, mag er geen open vuur worden gebruikt totdat adequate ventilatie de gebruiksomgeving heeft verbeterd.
  - Waar deze niet wordt blootgesteld aan harde wind.
  - Waar de luchtstroom voldoende en stofvrij is.
  - Waar de unit geen thermische kortsluiting veroorzaakt.
  - Waar de burens geen last hebben van het geluid of de warme lucht van de unit.
  - Aan een stevige muur of houder, zodat het werken van de unit geen extra geluid of trillingen veroorzaakt.
  - Waar geen gevaar bestaat dat brandbare gassen gaan lekken.
  - Bevestig de pootjes van de unit wanneer u de unit hoog installeert.
  - Op ten minste 3 meter afstand van een antenne voor radio of televisie. (De unit kan storen op het beeld of geluid van uw televisie of radio.)
  - Installeer het apparaat op een plaats die niet aan sneeuwval of stuifneeuw blootstaat. Op plaatsen met zware sneeuwval dient u een afdak, een verhoging en/of enkele schotten aan te brengen.
  - Installeer de unit horizontaal.
  - De aansluitingen van koelleidingen moeten toegankelijk zijn voor onderhoudswerkzaamheden.
- © Installeer buitenapparaten op een plaats met minimaal een van de vier zijden open en in een ruimte zonder verhogingen die voldoende groot is. (Fig. 2-1)

### **VOORZICHTIG:**

Vermijd de volgende plaatsen, omdat daar mogelijk problemen met de lucht-naar-water warmtepomp zullen optreden.

- Ruimten met veel machineolie.
- Een zoute omgeving, zoals aan zee.
- De omgeving van warme bronnen.
- Plaatsen met zwaveldampen.
- Andere plaatsen met een bijzondere luchtgesteldheid.

De buitenunit produceert condensatie tijdens het verwarmen. Bepalen van de installatieplaats om te voorkomen dat de buitenunit en/of de grond nat worden door afvoerwater of beschadigd door bevroren afvoerwater.

## 2. De installatieplaats kiezen

### 2.2. Minimaal installatie-oppervlak

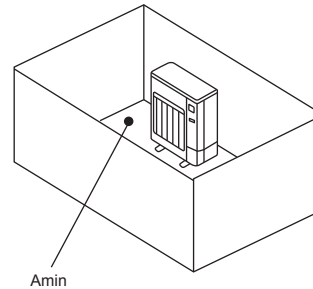
Als de installatie van een apparaat in een ruimte met vier gesloten zijden of met verlagingen onontkoombaar is, zorg er dan voor dat er wordt voldaan aan een van de omstandigheden (A, B of C).

**Opmerking:** Deze tegenmaatregelen zijn slechts ten behoeve van de veiligheid, maar ze garanderen geen optimale prestaties.

A) Zorg voor voldoende installatieruimte (minimaal installatie-oppervlak  $A_{min}$ ).

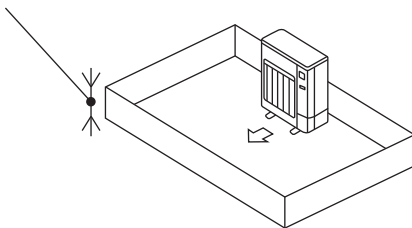
Installeer in een ruimte met een installatie-oppervlak van minimaal  $A_{min}$ , overeenkomend met koelmiddelhoeveelheid M (koelmiddel af fabriek + op locatie toegevoegd koelmiddel).

M [kg]	$A_{min}$ [m <sup>2</sup> ]
1,0	12
1,5	17
2,0	23
2,5	28
3,0	34
3,5	39
4,0	45
4,5	50
5,0	56
5,5	62
6,0	67
6,5	73
7,0	78
7,5	84

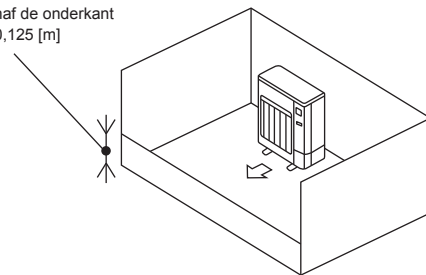


B) Installeer in een ruimte met een verlagingshoogte van  $\leq 0,125$  [m].

Hoogte vanaf de onderkant  
maximaal 0,125 [m]



Hoogte vanaf de onderkant  
maximaal 0,125 [m]

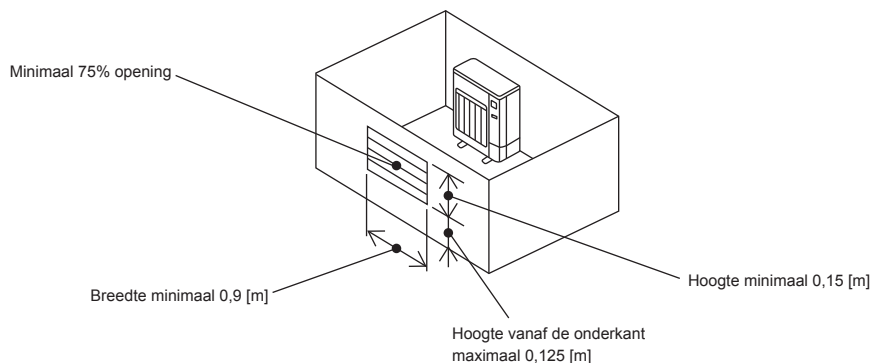


C) Zorg voor een adequate ventilatie-opening.

Zorg ervoor dat de breedte van de ventilatie-opening minimaal 0,9 [m] en de hoogte van de ventilatie-opening minimaal 0,15 [m] is.

De hoogte vanaf de onderkant van de installatieruimte tot de onderrand van de ventilatie-opening mag echter maximaal 0,125 [m] zijn.

De ventilatie-opening moet minimaal 75% opening bieden.



**Opmerking:** Voor de binneneenheid gelden geen installatiebeperkingen als gevolg van het gebruik van R32-koelmiddel.

Raadpleeg de installatiehandleiding van de binneneenheid en controleer het minimale installatie-oppervlak.

### 3. Installatieschema

#### 3.1. Buitenunit (Fig. 3-1)

##### Ruimte voor ventilatie en ruimte

- Ⓐ 100 mm of meer
- Ⓑ 350 mm of meer
- Ⓒ 500 mm of meer

Wanneer de leidingen aan een muur worden bevestigd die een metalen afdekking of rooster bevat, moet u een geïmpregneerde houten lat met een dikte van minimaal 20 mm tussen de muur en de leidingen plaatsen of ten minste 7 of 8 lagen vinyl isolatietape om de leiding wikkelen.

De units moeten door een gekwalificeerd vakman worden geïnstalleerd, in overeenstemming met plaatselijke regelgeving.

- SUZ-SWM80VA2, SUZ-SWM80VAH2, SUZ-SWM100VA, SUZ-SWM100VAH, SUZ-SHWM60VAH

##### Opmerking:

Bij het werken met de lucht-naar-water warmtepomp bij lage buitentemperaturen dient u de onderstaande instructies op te volgen.

- Plaats de buitenunit nooit op een locatie waarbij de zijde van de luchtinlaat of -uitlaat rechtstreeks aan de wind bloot kan staan.
- Om blootstelling aan de wind te voorkomen dient u de buitenunit met de luchtinlaat naar de muur gericht te plaatsen.
- Om blootstelling aan de wind te voorkomen wordt aanbevolen aan de zijde van de luchtuitlaat van de buitenunit een schotplaat aan te brengen.

- SUZ-SWM30VA, SUZ-SWM40VA2, SUZ-SWM60VA2, SUZ-SHWM30VAH, SUZ-SHWM40VAH

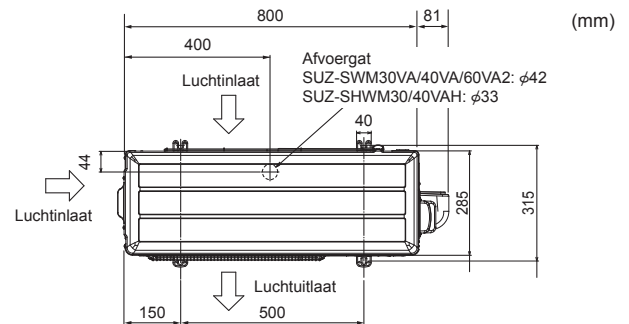
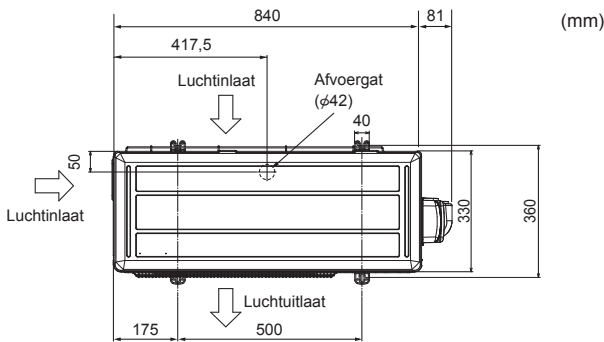
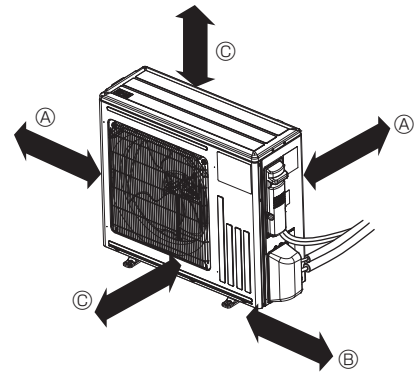
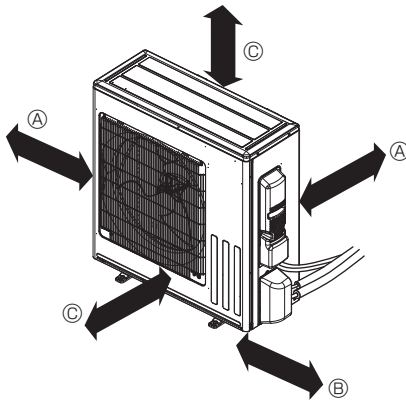


Fig. 3-1

### 4. Afvoerleidingen voor buitenunit (Fig. 4-1)

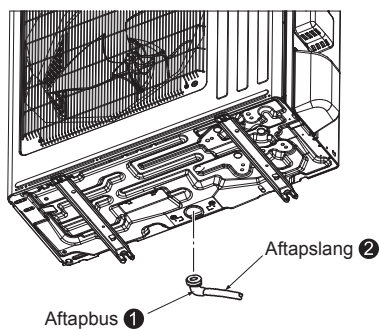


Fig. 4-1

#### 4.1. Accessoires

Controleer voordat u met installeren begint de volgende onderdelen.

<Buitenunit>

①	Aftapbus	1
---	----------	---

- Plaats de afvoerleidingen voordat u de verbindingleidingen tussen binnenunit en buitenunit aansluit. (Wanneer de verbindingleidingen tussen binnenunit en buitenunit zijn aangesloten voordat aftapbus ① wordt geïnstalleerd, bemoeilijkt dit de installatie van de aftapbus omdat de buitenunit dan niet meer kan worden verplaatst.)
- Sluit de aftapslang ② aan (los verkrijgbaar, binnendiameter: 15 mm) zoals wordt weergegeven in de afbeelding van de afvoer.
- Plaats afvoerleidingen in neerwaartse richting. Dit vergemakkelijkt de afvoer.

##### Opmerking:

Gebruik de aftapbus ① niet in een koude omgeving. Dit kan namelijk leiden tot de bevroering in de afvoerleidingen waardoor de ventilator tot stilstand komt.

De SHWM-serie wordt zonder aftapbus geleverd.



## 5. Koelleidingwerk

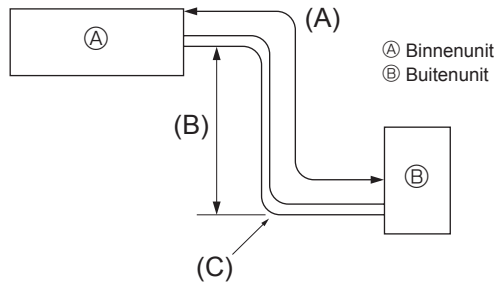


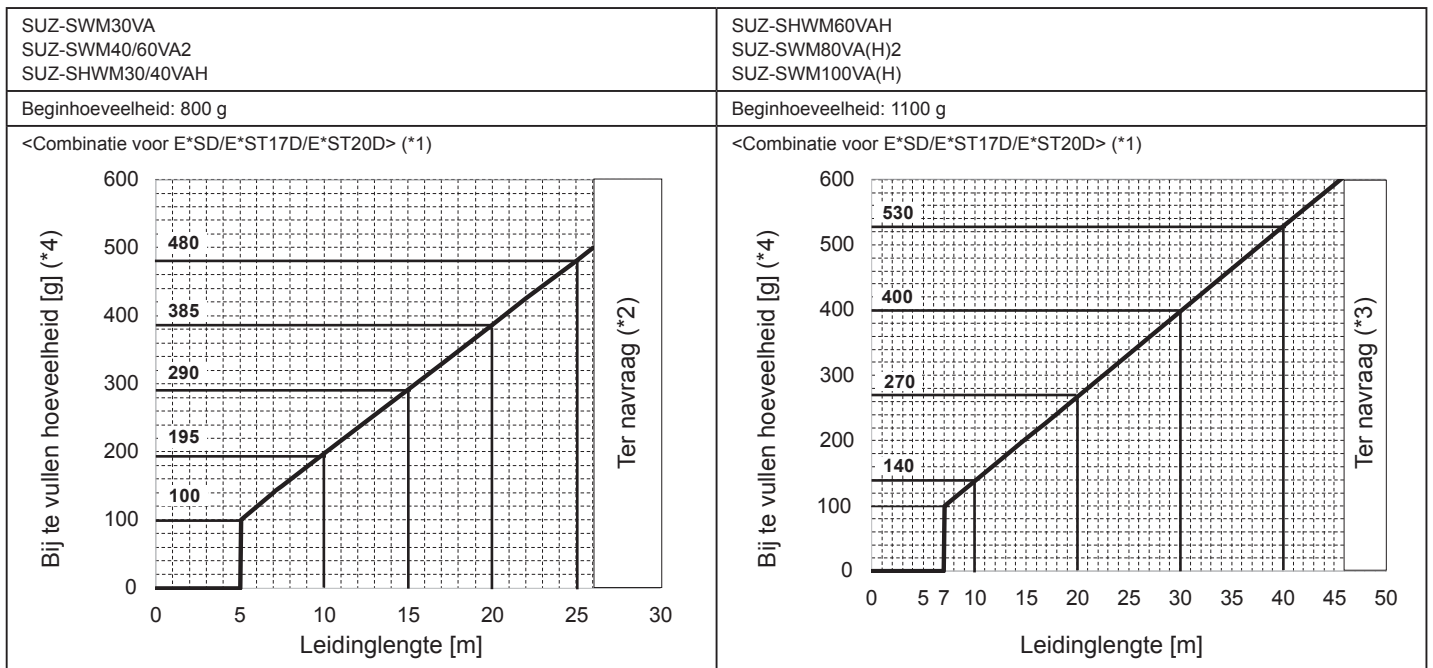
Fig. 5-1

### 5.1. Koelpijpen (Fig. 5-1)

► Controleer dat het verschil in hoogte tussen het binnen- en het buitenapparaat, de lengte van de koelpijpen en het aantal bochten in de leidingen binnen de limieten zoals in onderstaande tabel aangegeven vallen.

Modellen	(A) Pijplengte (1 richting)	(B) Hoogteverschil	(C) Aantal bochten (1 richting)
SUZ-SWM30VA	2 m - 26 m	max. 26 m	max. 10
SUZ-SHWM30VAH			
SUZ-SWM40VA2			
SUZ-SHWM40VAH			
SUZ-SWM60VA2	2 m - 46 m	max. 30 m	
SUZ-SHWM60VAH			
SUZ-SWM80VA(H)2			
SUZ-SWM100VA(H)			

• De begrenzings voor het hoogteverschil zijn voor alle opstellingen van binnen- en buitenapparaten bindend, onafhankelijk van het feit welk apparaat hoger opgesteld wordt.



\*1. Als u aansluit op E\*ST30D, dient u ALTIJD 50 g op te tellen bij de bij te vullen hoeveelheid, overeenkomstig de diagrammen.

\*2. Als de leidinglengte groter is dan 26 m, dient u onze specialist te raadplegen.

\*3. Als de leidinglengte groter is dan 46 m, dient u onze specialist te raadplegen.

\*4. In het geval van volledig bijvullen: beginhoeveelheid + bij te vullen hoeveelheid

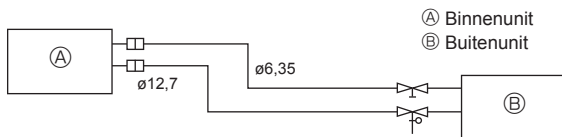


Fig. 5-2

(1) Onderstaande tabel geeft de specificaties voor leidingen die in de handel verkrijgbaar zijn. (Fig. 5-2)

Model	Leiding	Buitenste diameter		Min. muurdikte	Isolatie-dikte	Isolatie-materiaal
		mm	inch			
Alle modellen	Voor vloeistof	6,35	1/4	0,8 mm	8 mm	Hittebestendig schuimplastic 0,045 specifieke dichtheid
	Voor gas	12,7	1/2	0,8 mm	8 mm	

(2) Controleer of de 2 koelleidingen goed geïsoleerd zijn zodat condensvorming wordt voorkomen.

(3) De buigzaamheidsradius van de koelleiding moet 100 mm of meer zijn.



### VOORZICHTIG:

Gebruik isolatie van de juiste dikte. Te dikke isolatie veroorzaakt plaatsgebrek achter de binnenunit en te dunne isolatie kan leiden tot condensvorming.

- Zorg voor adequate ventilatie ter voorkoming van ontsteking. Voer ook brandpreventiemaatregelen uit zodat er zich geen gevaarlijke of brandbare objecten in de omgeving bevinden.
- R32 bijvullen bij onderhoud: Zorg ervoor dat elektrische vonken geen explosiegevaar kunnen vormen, voordat de apparatuur bij onderhoud wordt bijgevuld met R32. De apparatuur moet voordien volledig worden losgekoppeld van de stroomtoevoer.
- Het isolatiemateriaal moet voldoen aan de volgende SPECIFICATIES.
  - (1) Warmteoverdrachtssnelheid: 0,040 W/mK of minder
  - (2) Dikte van isolatie: 9 mm of meer
  - (3) Hittebestendigheid: 110 °C of meer
 Als de leidinglengte in de buitenunit meer dan 15 m bedraagt, moet de dikte van de isolatie 18 mm of meer zijn.

## 5. Koelleidingwerk

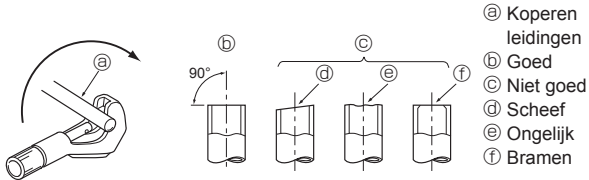


Fig. 5-3

- Ⓐ Koperen leidingen
- Ⓑ Goed
- Ⓒ Niet goed
- Ⓓ Scheef
- Ⓔ Ongelijk
- Ⓕ Bramen

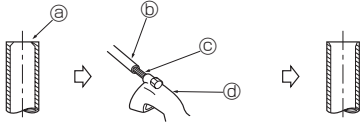


Fig. 5-4

- Ⓐ Braam
- Ⓑ Koperen buis/leiding
- Ⓒ Opruimer
- Ⓓ Pijpsnijder

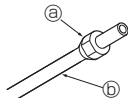


Fig. 5-5

- Ⓐ Optrompmoer
- Ⓑ Koperen leiding

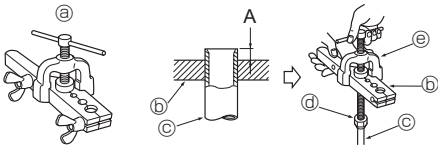


Fig. 5-6

- Ⓐ Optrompgereedschap
- Ⓑ Matrijs
- Ⓒ Koperen leiding
- Ⓓ Optrompmoer
- Ⓔ Span

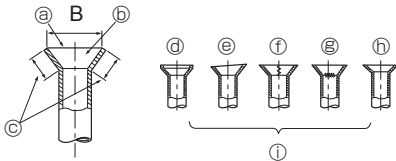


Fig. 5-7

- Ⓐ Rondom glad
- Ⓑ Binnenkant glimt overall, zonder krassen
- Ⓒ Rondom even lang
- Ⓓ Te veel
- Ⓔ Scheef
- Ⓕ Kras op het opgetrompte vlak
- Ⓖ Gebarsten
- Ⓗ Ongelijk
- Ⓘ Voorbeelden van ondeugdelijk optrompen

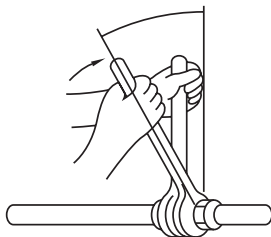


Fig. 5-8

### 5.2. Optrompen

- De belangrijkste oorzaak van gaslekken is een fout bij het optrompen. Voer het optrompen op de volgende manier correct uit.

#### 5.2.1. Leidingen snijden (Fig. 5-3)

- Snijd de koperen leiding recht af met een pijpsnijder.

#### 5.2.2. Bramen verwijderen (Fig. 5-4)

- Verwijder zorgvuldig alle bramen uit de doorsnede van de buis/leiding.
- Houd het uiteinde van de buis/leiding naar beneden om te voorkomen dat kopervijzel in de leiding vallen.

#### 5.2.3. Moeren bevestigen (Fig. 5-5)

- Verwijder de optrompmoeren die aan de binnen- en buitenunit zijn bevestigd en bevestig deze aan de buis/leiding nadat de bramen zijn verwijderd. (Het is niet mogelijk deze na het optrompen te bevestigen.)

#### 5.2.4. Optrompen (Fig. 5-6)

- Gebruik optrompgereedschap voor het optrompen (zie links).

Leidingdiameter (mm)	Afmetingen	
	A (mm)	B <sup>+0</sup> <sub>-0,4</sub> (mm)
	Bij het gebruik van het gereedschap voor R32	
	Type koppeling	
6,35	0 - 0,5	9,1
9,52	0 - 0,5	13,2
12,7	0 - 0,5	16,6
15,88	0 - 0,5	19,7

Houd de koperen leiding stevig vast in de matrijs met de maat uit bovenstaande tabel.

#### 5.2.5. Controleren (Fig. 5-7)

- Vergelijk de opgetrompte leiding met de afbeelding links.
- Snijd het opgetrompte stuk af en tromp de leiding opnieuw op wanneer deze ondeugdelijk is opgetrompt.

- Ⓐ Rondom glad
- Ⓑ Binnenkant glimt overall, zonder krassen
- Ⓒ Rondom even lang
- Ⓓ Te veel
- Ⓔ Scheef
- Ⓕ Kras op het opgetrompte vlak
- Ⓖ Gebarsten
- Ⓗ Ongelijk
- Ⓘ Voorbeelden van ondeugdelijk optrompen

- Breng een dun laagje koelolie aan op het verbingsvlak van de leiding. (Fig. 5-8)
- Voor de aansluiting moet u eerst het midden uitlijnen. Vervolgens draait u de optrompmoer 3 tot 4 slagen aan.
- Gebruik de onderstaande tabel met aandraaimomenten als richtlijn voor het verbingspunt op de aansluitzijde van de binnenunit en draai de aansluiting vast met twee sleutels. Wanneer u een optrompmoer te stevig aandraait, kan dit het getrompte deel beschadigen.

Buitendiameter koperen pijp (mm)	Buitendiameter flensmoer (mm)	Aanhaalmoment (N·m)
ø6,35	17	14 - 18
ø9,52	22	34 - 42
ø12,7	26	49 - 61
ø15,88	29	68 - 82



### WAARSCHUWING:

Als u het apparaat installeert, zet de koelmiddelleidingen dan stevig vast voordat u de compressor start.



### WAARSCHUWING:

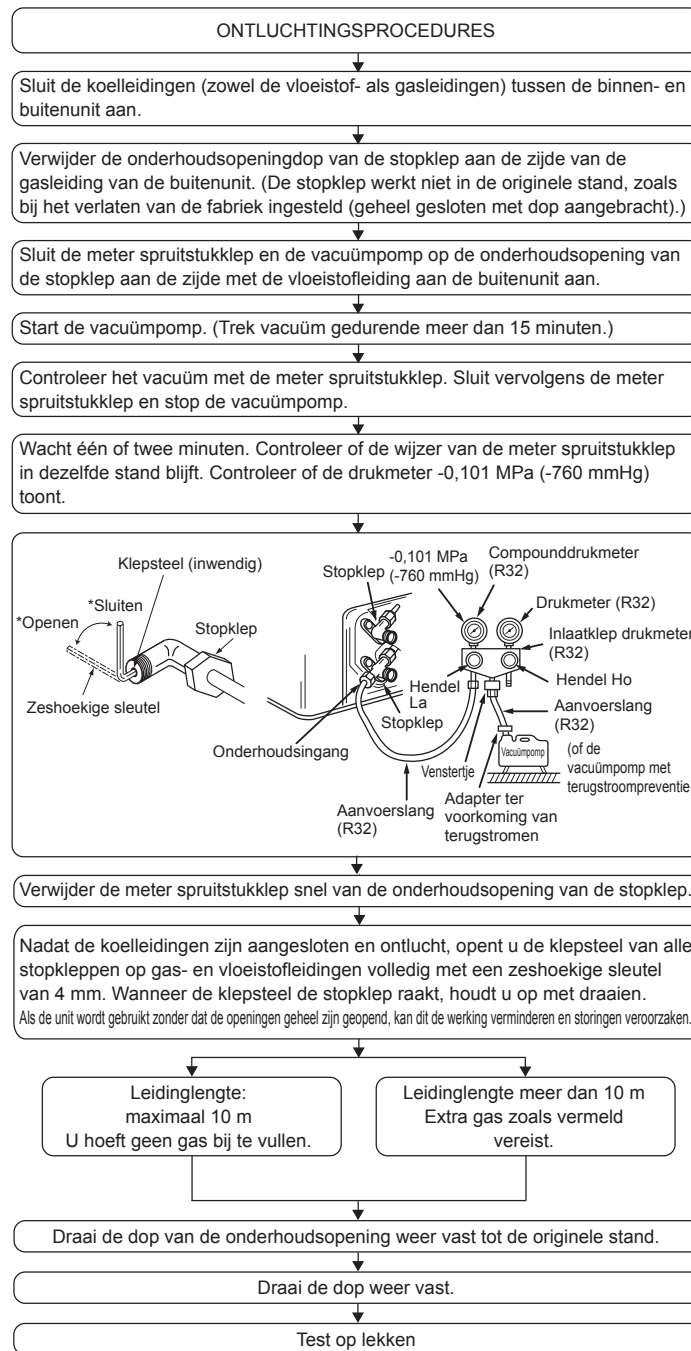
De optrompmoer kan er afvliegen! (door interne druk)

Verwijder de optrompmoer als volgt:

1. Draai de moer los totdat een sissend geluid hoorbaar is.
2. Verwijder de moer niet voordat het gas geheel is vrijgekomen (het sissende geluid is gestopt).
3. Controleer of het gas geheel is vrijgekomen en verwijder vervolgens de moer.

## 5. Koelleidingwerk

### 5.3. Ontluchttingsprocedures en de lektest

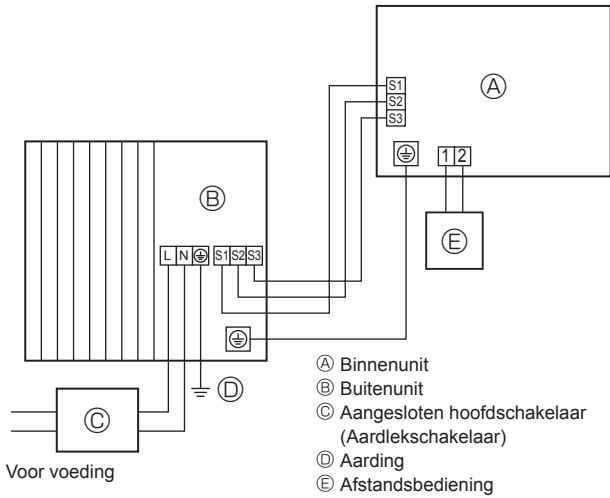


## 6. Elektrische aansluitingen

### 6.1. Buitenunit (Fig. 6-1, Fig. 6-2, Fig. 6-3)

- ① Verwijder het onderhoudspaneel.
- ② Sluit de kabels aan volgens Fig.6-1, Fig.6-2 en Fig. 6-3.

#### ■ SUZ-SHWM60VAH, SUZ-SWM80VA(H)2, SUZ-SWM100VA(H)



#### ■ SUZ-SHWM30/40VAH, SUZ-SWM30VA, SUZ-SWM40/60VA2

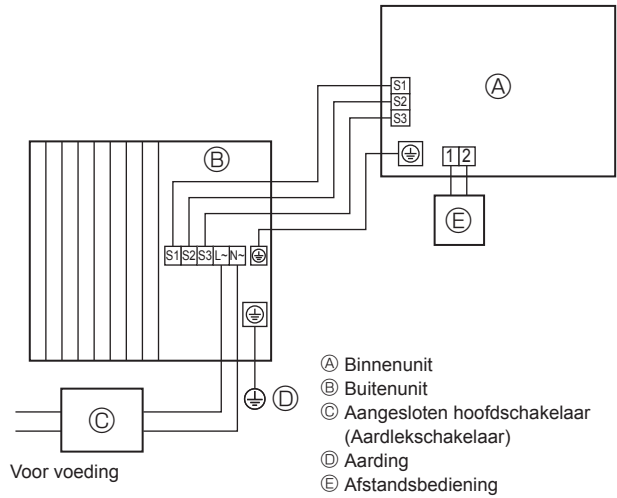


Fig. 6-1

- Leg de bedrading aan zoals aangegeven in het diagram links onderaan. (Schaf de kabel ter plaatse aan) (Fig. 6-2)

Zorg dat er alleen kabels van de juiste polariteit worden gebruikt.

- Ⓐ Aansluitkabel
- Ⓑ Aansluitblok voor binnenunit
- Ⓒ Aansluitblok voor buitenunit
- Ⓓ Sluit altijd een aardingsdraad aan die langer is dan de andere kabels.
- Ⓔ Voedingskabel
- Ⓕ Stroomdraad

- Maak de aardingsdraad iets langer dan de andere draden. (langer dan 100 mm)
- Geef de verbindingkabels wat extra lengte voor later onderhoud.
- Zorg ervoor dat u elke schroef op de overeenkomende aansluiting vastdraait.

- Sluit de kabel van binnenunit goed aan op het aansluitblok.
- Gebruik hetzelfde aansluitblok en dezelfde polariteit als die van de binnenunit.
- Zorg dat de verbindingkabel wat langer is voor later onderhoud.

- Beide uiteinden van de verbindingkabel (verlengsnoer) moeten worden gestript. Zorg dat de voedingskabel net zo lang is als aangegeven in de afbeelding door deze tot de juiste lengte te strippen.
- Zorg dat de verbindingkabel niet in contact komt met de leidingen.

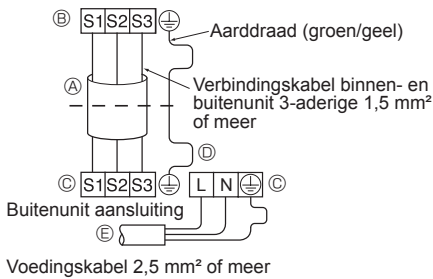
### ⚠ VOORZICHTIG:

- Zorg dat de kabels goed worden aangesloten.
- Draai de aansluitblokschroeven stevig vast om te voorkomen dat deze lostrillen.
- Trek na het aandraaien van de schroeven zachtjes aan de kabels om zeker te zijn dat deze niet kunnen schuiven.

### ⚠ WAARSCHUWING:

- Zorg dat het onderhoudspaneel van de buitenunit stevig is bevestigd. Als dit niet goed is bevestigd, kan dit leiden tot brand of een elektrische schok, veroorzaakt door stof, water enzovoort.
- Draai de aansluitblokschroeven stevig vast.
- Zorg bij het aanleggen van de bedrading dat er geen spanning wordt uitgeoefend op de stroomkabels. Anders kan er hitte worden gegenereerd of brand ontstaan.

#### Binnenunit aansluiting



#### ■ Voor SUZ-SHWM30/40VAH, SUZ-SWM30VA/40VA2/60VA2

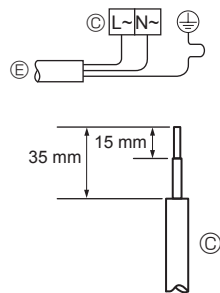
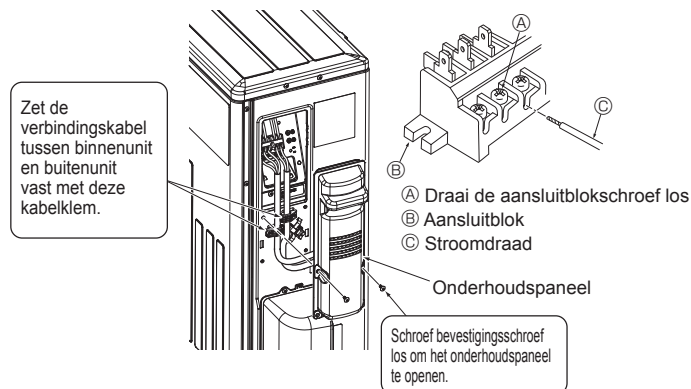


Fig. 6-2

#### ■ SUZ-SWM30VA, SUZ-SWM40VA2, SUZ-SWM60VA2, SUZ-SHWM30VAH, SUZ-SHWM40VAH



#### ■ SUZ-SWM80VA2, SUZ-SWM100VA, SUZ-SWM80VAH2, SUZ-SWM100VAH, SUZ-SHWM60VAH

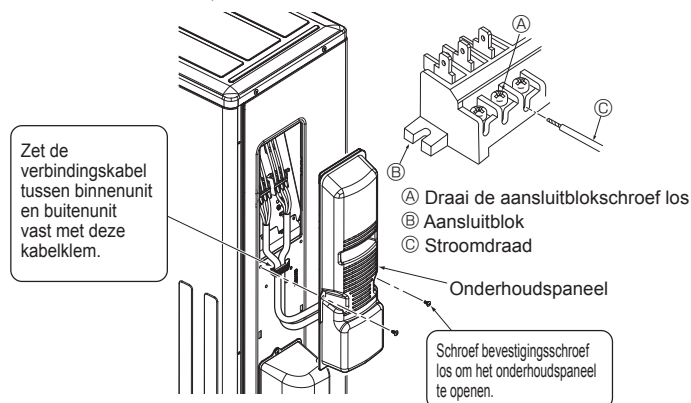


Fig. 6-3

## 6. Elektrische aansluitingen

### 6.2. Elektrische aansluitingen in het veld

Model buitenunit		SUZ-SHWM30VAH/40VAH SUZ-SWM30VA/40VA2/60VA2	SUZ-SHWM60VAH SUZ-SWM80VA(H)2/SWM100VA(H)
Voeding buitenunit		~N (enkelfasig), 50 Hz, 230 V	~N (enkelfasig), 50 Hz, 230 V
Stroomopnamecapaciteit buitenunit	Hoofdschakelaar (Onderbreker)	*1	16 A
	Voeding buitenunit		2 × Min. 2,5
Aansluitdraad aantal × diameter (mm <sup>2</sup> )	Aarde voeding buitenunit		1 × Min. 2,5
	Binnenunit-Buitenunit		3 × 1,5 (Polair)
	Aarde binnenunit-Buitenunit		1 × Min. 1,5
Spanning van het circuit	Buitenunit L-N	*2	230 V AC
	Binnenunit-Buitenunit S1-S2	*2	230 V AC
	Binnenunit-Buitenunit S2-S3	*2	12 V DC – 24 V DC

\*1. Er dient te worden voorzien in een onderbreker met een contactscheiding van minimaal 3 mm. Gebruik een aardlekschakelaar (NV).

Let erop dat de stroomonderbreker geschikt is voor de aanwezigheid van hogere harmonischen.

Gebruik altijd een stroomonderbreker die geschikt is voor de aanwezigheid van hogere harmonischen, aangezien dit apparaat is uitgerust met een omvormer.

Een onjuiste stroomonderbreker kan leiden tot verkeerde werking van de omvormer.

\*2. De waarden zijn NIET altijd van toepassing op aarde.

Aansluiting S3 heeft een spanning van 24 V DC ten opzichte van aansluiting S2. S3 en S1 zijn echter NIET door de transformator of anderszins onderling elektrisch gescheiden.

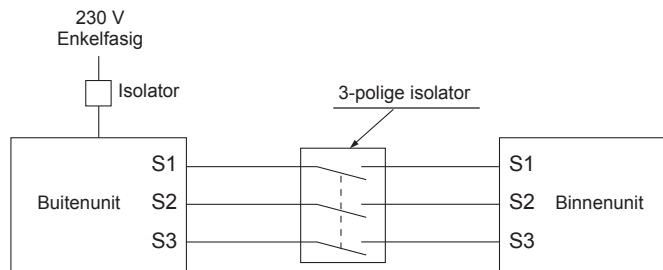
**Opmerkingen:** 1. De draaddiameter dient overeen te komen met de van toepassing zijnde plaatselijke en nationale richtlijn.

2. De aansluitkabels van de voeding en de binnen-/buitenunits dienen minimaal flexibele polychloropreenkabels te zijn. (Ontwerp 60245 IEC 57)

3. De aardingskabel moet langer zijn dan de andere kabels.

4. Gebruik zelf-dovende distributiekabels voor de bedrading van de stroomtoevoer.

5. Leid de bedrading zodanig dat er geen contact wordt gemaakt met de metalen rand of punten van schroeven.



### ⚠ WAARSCHUWING:

Door het elektrische ontwerp staat een hoge spanning op aansluitklem S3, waarbij geen elektrische isolatie aanwezig is tussen de voedingsspanning en de communicatie-signaalleidingen. Schakel daarom bij onderhoudswerkzaamheden de voedingsspanning uit. Raak bovendien nooit aansluitklemmen S1, S2 en S3 aan als de spanning is ingeschakeld. Indien u tussen de binnen- en buitenunit een isolator wilt aanbrengen, gebruik dan een 3-polige scheider.

V voorkom rookvorming, brand en communicatiestoringen en spltj derhalve de voedingskabel en de kabel tussen het binnen- en buitenapparaat niet.

Zorg ervoor dat de verbindende kabels voor het binnen-buitenapparaat altijd direct met de eenheden verbonden zijn (geen tussentijdse verbindingen).

Tussentijdse verbindingen kunnen leiden tot communicatiefouten in geval van water in de kabels en onvoldoende isolatie met de grond veroorzaken of tot een slecht elektrisch contact bij het tussentijdse verbindingpunt.

## 7. Onderhoud

### 7.1. Gas bijvullen (Fig. 7-1)

1. Sluit de gascilinder aan op de dienstopening van de afsluitkraan (3 wegafsluiter).
2. Ontlucht de leiding (of slang) van de gascilinder met koelstof.
3. Vul de aangegeven hoeveelheid koelstof bij terwijl de lucht-naar-water warmtepomp in de koelmodus is ingeschakeld.

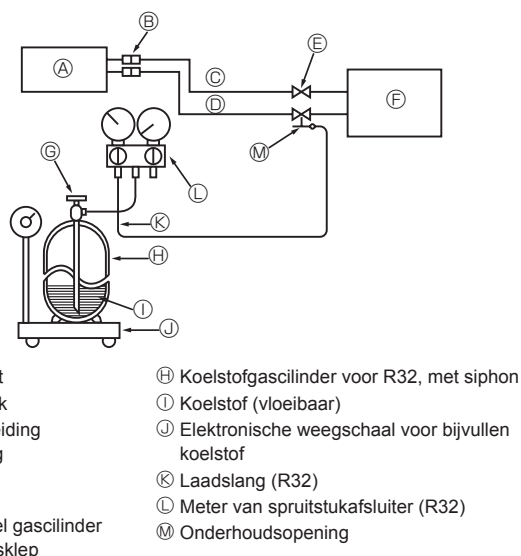
**Opmerking:**

Wanneer u koelvloeistof bijvult, dient u zich te houden aan de hoeveelheid die voor het specifieke koelcircuit is opgegeven.

### ⚠ VOORZICHTIG:

- Laat geen koelgas in de ruimte ontsnappen. Zorg ervoor dat er tijdens installatie, demontage of reparaties aan het koelcircuit geen koelgas in de ruimte ontsnapt.
- Maak voor het bijvullen van koelstof gebruik van een gascilinder met vloeibare koelstof. Indien de koelstof als gas wordt bijgevuld, kan er een wijziging optreden in de samenstelling van de koelstof binnen de cilinder en het buitenapparaat. In dit geval neemt het koelvermogen van het apparaat af of de normale werking wordt onmogelijk. Echter, alle vloeibare koelstof in één keer bijvullen kan ervoor zorgen dat de compressor blokkeert. Vul de koelstof daarom langzaam bij.

Voor het behouden van een hoge druk van de cilinders, dient u deze bij koude omstandigheden met warm water (onder 40°C) te verwarmen. Gebruik echter nooit vuur of stoom.



- |   |  |
|---|--|
| Ⓐ Binnenunit                            | Ⓓ Koelstofgascilinder voor R32, met siphon         |
| Ⓑ Koppelstuk                            | Ⓔ Koelstof (vloeibaar)                             |
| Ⓒ Vloeistofleiding                      | Ⓕ Elektronische weegschaal voor bijvullen koelstof |
| Ⓓ Gasleiding                            | Ⓖ Laadslang (R32)                                  |
| Ⓔ Stopklep                              | Ⓗ Meter van spruitstukafsluiter (R32)              |
| Ⓕ Buitenunit                            | Ⓜ Onderhoudsopening                                |
| Ⓖ Koelmiddel gascilinder bedieningsklep |  |

Fig. 7-1

## 8. Waterleidingwerk

### 8.1. Minimumhoeveelheid water

Raadpleeg de installatiehandleiding van de binneneenheid.

### 8.2. Mogelijk bereik (waterdebiet, retourwatertemp.)

Zorg binnen het watercircuit voor de waterstroomsnelheid en het retourtemperatuurbereik zoals hieronder aangegeven.

Deze curves zijn gerelateerd aan de hoeveelheid water.

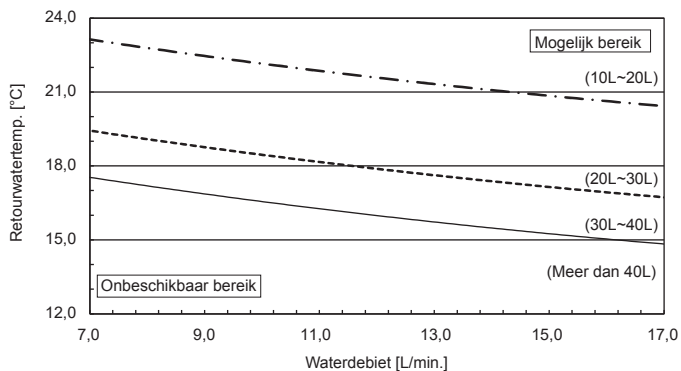
#### ■ Verwarmen

SUZ-SWM30VA SUZ-SHWM30VAH

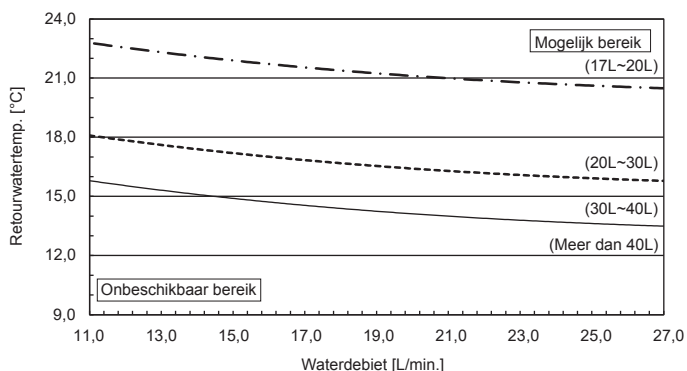
SUZ-SWM40VA2 SUZ-SHWM40VAH

SUZ-SWM60VA2

Minimale retourwatertemperatuur als gevolg van hoeveelheid water in systeem



Minimale retourwatertemperatuur als gevolg van hoeveelheid water in systeem



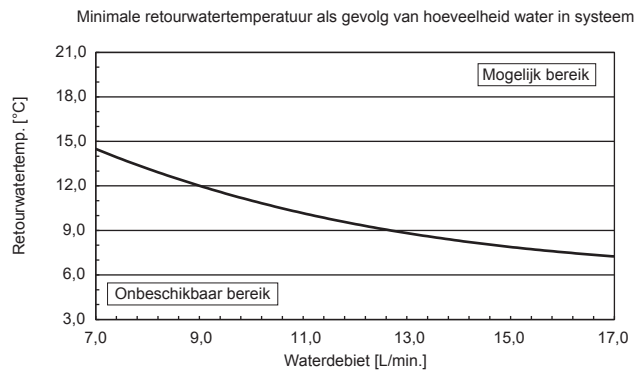
#### Opmerking:

- Blijf buiten het onbeschikbare bereik tijdens het ontdooien.  
Anders wordt de buitenunit onvoldoende ontdooid en/of kan de warmtewisselaar van de binneneenheid bevroren.
- Debiettemperatuur MAG NOOIT lager dan 32°C zijn wanneer buitentemperatuur tot onder -15°C daalt.  
Het risico bestaat dat de platenwarmtewisselaar bevroren en beschadigd raakt en dat de platenwarmtewisselaar buitenshuis bevroren raakt vanwege ontoereikende ontdooiing.

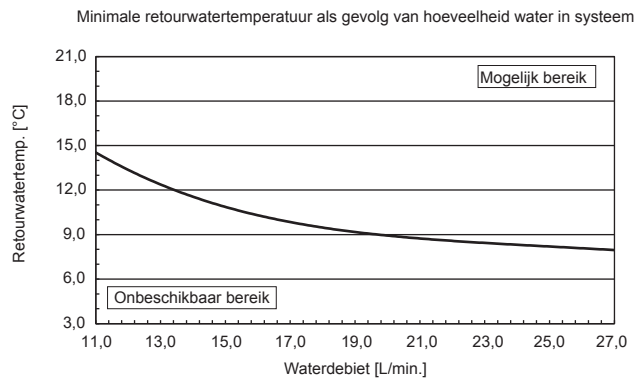
## 8. Waterleidingwerk

### ■ Koelen

SUZ-SWM30VA SUZ-SHWM30VAH  
SUZ-SWM40VA2 SUZ-SHWM40VAH  
SUZ-SWM60VA2



SUZ-SWM80VA(H)2  
SUZ-SWM100VA(H)  
SUZ-SHWM60VAH



#### Opmerking:

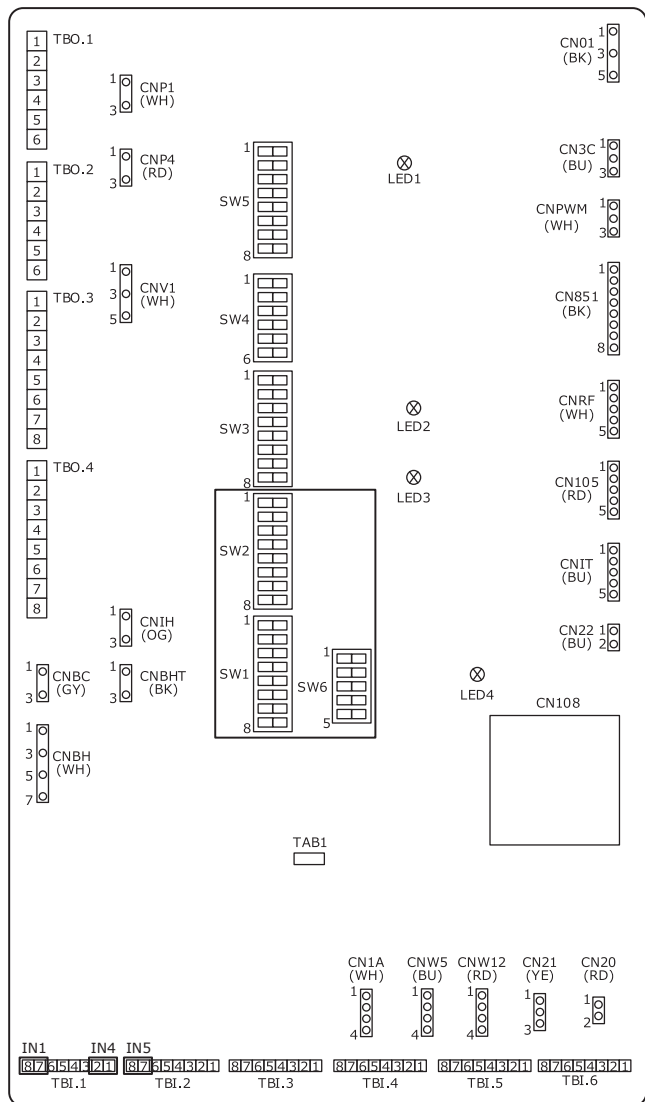
Blijf buiten het onbeschikbare bereik tijdens het ontdooien.

Anders wordt de buitenunit onvoldoende ontdooit en/of kan de warmtewisselaar van de binnenunit bevroren.

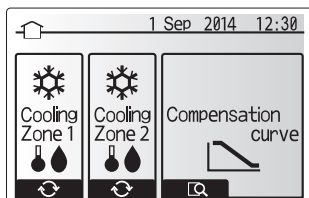
## 9. Leegpompen

Bij verplaatsen of verwijderen van buitenunit dient het systeem volgens de onderstaande procedure te worden leeggepompt, zodat geen koelmiddel in de atmosfeer terecht kan komen.

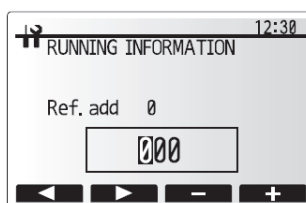
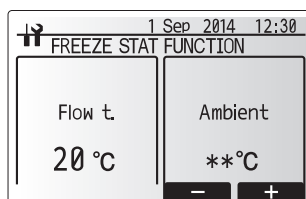
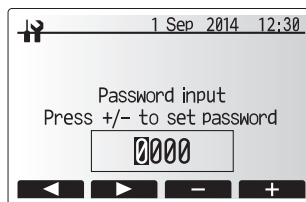
- ① Schakel het gehele voedingscircuit (met inbegrip van de binnenunit, verwarmers, buitenunit enzovoort) UIT.
- ② Sluit het meetverdeelstuk aan op de onderhoudsopening van de afsluitkraan in de gasleiding aan de buitenunit.
- ③ Draai de afsluitkraan in de vloeistofleiding aan de buitenunit volledig dicht.
- ④ Wijzig de instellingen op de binnenunit.
  - Zet DIP-schakelaar SW1-3 op OFF, SW2-1 op OFF, SW2-4 op ON en SW6-3 op OFF op het schakelbord van de binnenunit.
  - Ontkoppel de signaalgangen IN1 (ingang voor kamerthermostaat 1), IN4 (ingang voor belastingsregeling) en IN5 (ingang voor buitenthermostaat).



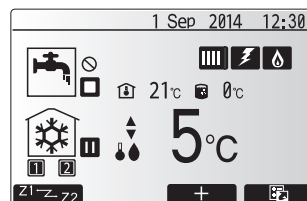
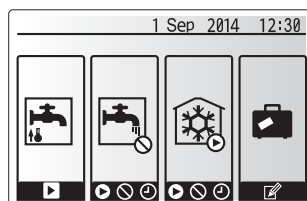
- ⑤ Schakel het gehele voedingscircuit IN.
- ⑥ Selecteer op de hoofdcontroller van de binnenunit "Heating/cooling mode" → "Cooling flow temp." in het hoofdmenu.



- ⑦ Selecteer "Service" in het hoofdmenu en wijzig de instelling zoals hieronder aangegeven. U wordt om een wachtwoord gevraagd. HET STANDAARDFABRIEKSWACHTWOORD is "0000".
  - Selecteer "Operation settings" → "Freeze stat function" en stel de minimale buitentemperatuur op \* (sterretje) in.
  - Selecteer "Running information" en stel het referentieadres op 351 in.



- ⑧ Vang het koelmiddel op.
  - Druk op de knop "ON/OFF" op de hoofdcontroller.
  - Stel "Cooling ON" in via het optiemenu.
  - Stel de doelstroomtemperatuur in op 5 °C. Als het systeem door een kamertemperatuurthermostaat wordt bestuurd, stel de doelkamertemperatuur dan in op 10 °C.
  - Na 60 seconden wordt begonnen met het opvangen van het koelmiddel.
  - Raadpleeg de installatiehandleiding of bedieningshandleiding van de binnenunit voor details of voor meer informatie over de instellingen van de hoofdcontroller.



Vervolg op volgende pagina.



## 9. Leegpompen

- ⑨ Draai de afsluitkraan in de gasleiding aan de buitenunit volledig dicht zodra de manometer 0,05 tot 0 MPa [Meter] aangeeft (ongeveer 0,5 tot 0 kgf/cm<sup>2</sup>) en stop de buitenunit snel.
- Druk op de knop "ON/OFF" op de afstandsbediening om de buitenunit te stoppen.
  - \* Houd er rekening mee dat leegpompen misschien niet kan als de verlengstukken erg lang zijn en er grote hoeveelheden koelmiddel in de verlengstukken zit. Gebruik in dit geval onderdelen voor koelmiddelrecuperatie om al het koelmiddel uit het systeem te verzamelen.
- ⑩ Zet de hoofdcontroller-instelling die u hierboven bij procedure ⑨ hebt gewijzigd, terug op de oorspronkelijke waarde.
- ⑪ Druk op de knop "ON/OFF" op de hoofdcontroller van de binnenunit ongeveer 3 seconden ingedrukt om de unit te stoppen.
- ⑫ Zet de hoofdcontroller-instellingen die u bij andere procedures dan ⑨ hebt gewijzigd, terug op de oorspronkelijke waarden.
- \* "Running information" terugzetten op de oorspronkelijke waarde: Stel het referentieadres op 350 in.
- ⑬ Schakel het gehele voedingscircuit OFF en zet de DIP-schakelaars op de printplaat van de binnenunit terug in de oorspronkelijke stand.
- ⑭ Verwijder het meterverdeelstuk en koppel de koelmiddelleidingen los.



### WAARSCHUWING:

- Pomp NIET leeg met de compressor als het koelcircuit een lek heeft. Als u het koelmiddel uit het apparaat pompt, schakel de compressor dan uit voordat u de koelmiddelleidingen loskoppelt.**
- Als u de koelmiddelleidingen loskoppelt terwijl de compressor werkt en de afsluitkraan (kogelklep) geopend is, kan de druk in het koelmiddelcircuit extreem hoog worden als er lucht wordt aangezogen, waardoor de leidingen kunnen barsten, mensen gewond kunnen raken, enz.



### VOORZICHTIG:

- Gebruik deze koelmodus NIET wanneer u aansluit op een binnenunit waarop de koelmodus alleen is toegestaan voor leegpompen.**

## 10. Specificaties

Buitenunit		SUZ-SWM30VA	SUZ-SHWM30VAH	SUZ-SWM40VA2	SUZ-SHWM40VAH	SUZ-SWM60VA2
Voedingsspanning	V / Fase / Hz	230 / Enkelvoudig / 50				
Afmetingen (B × H × D)	mm	800 × 714 × 285				
Geluidsvermogensniveau (Verwarming)	*1 dB(A)	57	57	57	58	60
	*2 dB(A)	54	54	54	55	56

Buitenunit		SUZ-SHWM60VAH	SUZ-SWM80VA(H)2	SUZ-SWM100VA(H)
Voedingsspanning	V / Fase / Hz	230 / Enkelvoudig / 50		
Afmetingen (B × H × D)	mm	840 × 880 × 330		
Geluidsvermogensniveau (Verwarming)	*1 dB(A)	60	60	62
	*2 dB(A)	58	59	60

\*1. Gemeten bij nominale werkingfrequentie op een omgevingstemperatuur van 7°C DB/6°C WB en uitgaande-watertemperatuur van 55°C

\*2. Gemeten in overeenstemming met EN12102 onder de voorwaarden van EN14825

EU DECLARATION OF CONFORMITY  
EU-KONFORMITÄTSEKTLÄRUNG  
DÉCLARATION DE CONFORMITÉ UE  
EU-CONFORMITEITSVERKLARING  
DECLARACIÓN DE CONFORMIDAD UE  
DICHIARAZIONE DI CONFORMITÀ UE  
ΔΗΛΩΣΗ ΣΥΜΜΟΡΦΩΣΗΣ ΕΕ  
DECLARAÇÃO DE CONFORMIDADE UE  
EU-OVERENSSTEMMELSESEKTLÆRING

EG-DEKLARATION OM ÖVERENSSTÄMMELSE  
AV UYGUNLUK BEYAN  
ДЕКЛАРАЦИЯ СООТВЕТСТВИЯ НОРМАМ ЕС  
ДЕКЛАРАЦІЯ ВІДПОВІДНОСТІ ВИМОГАМ ЄС  
ЕС ДЕКЛАРАЦІЯ ЗА СЪОТВЕТСТВИЕ  
DEKLARACJA ZGODNOŚCI UE  
EU-ERKLÆRING OM SAMSVAR  
EU-VAATIMUSTENMUKAISUUSVAKUUTUS  
EU PROHLÁŠENÍ O SHODĚ

EÚ VYHLÁSENIE O ZHODE  
EU MEGFELELŐSÉGI NYILATKOZAT  
IZJAVA EU O SKLADNOSTI  
DECLARAȚIE DE CONFORMITATE UE  
EL-I VASTAVUSDEKLARATSIOON  
ES ATBILSTĪBAS DEKLARĀCIJA  
ES ATITIKTIES DEKLARĀCIJA  
EU IZJAVA O SUKLADNOSTI  
EU IZJAVA O USAGLAŠENOSTI

**MITSUBISHI ELECTRIC CONSUMER PRODUCTS (THAILAND) CO., LTD**  
**700/406 MOO 7, TAMBON DON HUA ROH, AMPHUR MUANG, CHONBURI 20000, THAILAND**

hereby declares under its sole responsibility that the air conditioner(s) and heat pump(s) for use in residential, commercial, and light-industrial environments described below:  
erklärt hiermit auf seine alleinige Verantwortung, dass die Klimaanlage(n) und Wärmepumpe(n) für das häusliche, kommerzielle und leichtindustrielle Umfeld wie unten beschrieben:  
déclare par la présente et sous sa propre responsabilité que le(s) climatiseur(s) et la/les pompe(s) à chaleur destinés à un usage dans des environnements résidentiels, commerciaux et d'industrie légère décrits ci-dessous :  
verklaart hierbij onder eigen verantwoordelijkheid dat de voor huishoudelijke, handels- en lichtindustriële omgevingen bestemde airconditioner(s) en warmtepomp(en) zoals onderstaand beschreven:

por la presente declara, bajo su exclusiva responsabilidad, que el(los) acondicionador(es) de aire y la(s) bomba(s) de calor previsto(s) para su uso en entornos residenciales, comerciales y de industria ligera que se describen a continuación:

conferma con la presente, sotto la sua esclusiva responsabilità, che i condizionatori d'aria e le pompe di calore destinati all'utilizzo in ambienti residenziali, commerciali e semi-industriali e descritti di seguito:

με το παρόν δηλώνει με αποκλειστική ευθύνη ότι το ή τα κλιματιστικά και η ή οι αντλίες θερμότητας για χρήση σε οικιακά, εμπορικά και επαγγελματικά περιβάλλοντα που περιγράφονται παρακάτω:

declara pela presente, e sob sua exclusiva responsabilidade, que o(s) aparelho(s) de ar condicionado e a(s) bomba(s) de calor destinados a utilização em ambientes residenciais, comerciais e de indústria ligeira descritos em seguida:

erklærer hermed under eneansvar, at det/de herunder beskrevne airconditionanlæg og varmepumpe(r) til brug i beboelses- og erhvervs miljøer samt i miljøer med let industri:

intyggar härmed att luftkonditioneringarna och värmepumparna som beskrivs nedan för användning i bostäder, kommersiella miljöer och lätta industriella miljöer:

ev, ticaret ve hafif sanayi ortamlarında kullanıma yönelik aşağıda açıklanan klima ve ısıtma pompalarıyla ilgili aşağıdaki hususları yalnızca kendi sorumluluğunda olmak üzere beyan eder:

настоящим заявляет под свою исключительную ответственность, что кондиционер (-ы) и тепловой (-ые) насос (-ы) для использования в описанных ниже жилых, коммерческих и небольших складских и промышленных помещениях:

цим заявляю, беручи на себе повну відповідальність за це, що кондиціонер (-и) й тепловий (-и) насос (-и), описані нижче й призначені для використання в житлових приміщеннях, торговельних залах і на підприємствах легкої промисловості:

декларира с настоящата на своя собствена отговорност, че климатикъ(т)е и термомпата(ите), посочени по-долу и предназначени за употреба в жилищни, търговски и лекопромишлени среди:

niniejszym oświadczam na swoją wyłączną odpowiedzialność, że klimatyzatory i pompy ciepła do zastosowań w środowisku mieszkalnym, handlowym i lekko przemysłowym opisane poniżej:

erklærer et fullstendig ansvar for undernevnte klimaapparat og varmepumper ved bruk i boliger, samt kommersielle og lettindustrielle miljøer:

vakuuttaa täten yksinomaista vastuutaan, että jäljempänä kuvutat asuinrakennuksiin, pienteeollisuuskäyttöön ja kaupalliseen käyttöön tarkoitettuihin ilmastointilaitteisiin ja lämpöpumpuihin:

tímto na vlastní odpovědnost prohlašuje, že níže popsané klimatizační jednotky a tepelná čerpadla pro použití v obytných prostředích, komerčních prostředích a prostředích lehkého průmyslu:

týmto na svoju výlučnú zodpovednosť vyhlasuje, že nasledovné klimatizačné jednotky a tepelné čerpadlá určené na používanie v obytných a obchodných priestoroch a v prostredí ľahkého priemyslu:

alulírott kizárólagos felelősségére nyilatkozik, hogy az alábbi lakossági, kereskedelmi és kisipari környezetben való használatra szánt klímaberendezés(ek) és hőszivattyú(k):

na lastno odgovornost izjavlja, da so spodaj opisane klimatske naprave in toplotne črpalke, namenjene za uporabo v stanovanjskih, poslovnih in lahkoindustrijskih okoljih:

declară prin prezenta, pe proprie răspundere, faptul că aparatele de climatizare și pompele de căldură descrise mai jos și destinate utilizării în medii rezidențiale, comerciale și din industria ușoară:

kinnitab oma ainuvastutust, et allpool toodud elu-, äri- ja kergtööstuskeskkondades kasutamiseks mõeldud kliimaseadmed ja soojuspumbad:

ar šo, vienpersoniski uzņemoties atbildību, paziņo, ka tālāk aprakstītais(-tie) gaisa kondicionētājs(-i) un siltumsūkņis(-i) ir paredzēti lietošanai dzīvojamajās, komercdarbības un vieglās rūpniecības telpās, kas aprakstītas tālāk:

šiuo vien tik savo atsakomybe pareiškia, kad toliau apibūdintas (-i) oro kondicionierius (-iai) ir šilumos siurblys (-iai), skirtas (-i) naudoti toliau apibūdintose gyvenamosiose, komercinėse ir lengvosios pramonės aplinkose:

ovime izjavljuje pod isključivom odgovornošću da je/su klimatizacijski uređaji(i) i toplinska dizalica(e) opisan(i) u nastavku namijenjen(i) za upotrebu u stambenim i poslovnim okruženjima te okruženjima lake industrije:

ovim izjavljuje na svoju isključivu odgovornost da su klima-uređaji i toplotne pumpe za upotrebu u stambenim, komercijalnim okruženjima i okruženjima lake industrije opisani u nastavku:

**MITSUBISHI ELECTRIC, SUZ-SWM30VA\*, SUZ-SWM40VA\*, SUZ-SWM60VA\*, SUZ-SWM80VA\*, SUZ-SWM100VA\***  
**SUZ-SHWM30VAH\*, SUZ-SHWM40VAH\*, SUZ-SHWM60VAH\*, SUZ-SWM80VAH\*, SUZ-SWM100VAH\***  
**\* : , , 1, 2, 3, , , , 9**

is/are in conformity with provisions of the following Union harmonisation legislation.  
die Bestimmungen der folgenden Harmonisierungsrechtsvorschriften der Union erfüllen/

erfüllen.  
est/sont conforme(s) aux dispositions de la législation d'harmonisation de l'Union

suivante.  
voldoet/voldoen aan bepalingen van de volgende harmonisatiewetgeving van de Unie.

cumple(n) con las disposiciones de la siguiente legislación de armonización de la Unión.

sono in conformità con le disposizioni della seguente normativa dell'Unione sull'armonizzazione.

συμμορφώνονται με τις διατάξεις της ακόλουθης νομοθεσίας εναρμόνισης της Ένωσης.

está/estão em conformidade com as disposições da seguinte legislação de harmonização da União.

er i overensstemmelse med bestemmelse i følgende harmoniserede EU-lovgivning.

uppfyller villkoren i följande harmoniserade föreskrifter inom unionen.

აşağıdaki Avrupa Birliği uyumlaştırma mevzuatının hükümlerine uygundur.

соответствуют положениям следующих законодательных актов Союза о гармонизации.

2014/35/EU: Low Voltage Directive  
2006/42/EC: Machinery Directive  
2014/30/EU: Electromagnetic Compatibility Directive  
2011/65/EU, (EU) 2015/863 and (EU) 2017/2102: RoHS Directive  
2009/125/EC: Energy-related Products Directive and Regulation (EU) No 813/2013

відповідають положенням вказаного далі законодавства Союзу щодо гармонізації.  
е/са в съответствие с разпоредбите на следното законодателство на Съюза за

хармонизация.  
są zgodne z przepisami następującego unijnego prawodawstwa harmonizacyjnego.

er i samsvar med forskriftene til følgende EU-lovgivning om harmonisering.

ovat seuraavan unionin yhdenmukaistamislainsäädännön säännösten mukaisia.

jsou v souladu s ustanoveními následujících harmonizačních právních předpisů Unie.

spĺňajú ustanovenia nasledujúcich harmonizovaných noriem EÚ.

megfelel(nek) az Unió alábbi harmonizációs jogszabályi előírásainak.

in skladu z določbami naslednje usklajevalne zakonodaje Unije.

sunt în conformitate cu dispozițiile următoare legislații de armonizare a Uniunii.

vastavad järgmiste Euroopa Liidu ühtlustatud õigusaktide sätetele.

atbilst šādiem ES harmonizētajiem tiesību aktu noteikumiem.

taip pat atitinka kitų toliau išvardytų suderintųjų Sąjungos direktyvų nuostatas.

sukladan(i) odredbama sljedećeg zakonodavstva Unije za sukladnost.

u skladu sa odredbama sledećeg usklađivanja zakonodavstva Unije.

## <ENGLISH>

English is original. The other languages versions are translation of the original.

### ▲ CAUTION

- Refrigerant leakage may cause suffocation. Provide ventilation in accordance with EN378-1.
- Be sure to wrap insulation around the piping. Direct contact with the bare piping may result in burns or frostbite.
- Never put batteries in your mouth for any reason to avoid accidental ingestion.
- Battery ingestion may cause choking and/or poisoning.
- Install the unit on a rigid structure to prevent excessive operation sound or vibration.
- The A-weighted sound pressure level is below 70dB.
- This appliance is intended to be used by expert or trained users in shops, in light industry and on farms, or for commercial use by lay persons.

## <DEUTSCH>

Das Original ist in Englisch. Die anderen Sprachversionen sind vom Original übersetzt.

### ▲ VORSICHT

- Wenn Kältemittel austritt, kann dies zu Ersticken führen. Sorgen Sie in Übereinstimmung mit EN378-1 für Durchlüftung.
- Die Leitungen müssen isoliert werden. Direkter Kontakt mit nicht isolierten Leitungen kann zu Verbrennungen oder Erfrierungen führen.
- Nehmen Sie niemals Batterien in den Mund, um ein versehentliches Verschlucken zu vermeiden.
- Durch das Verschlucken von Batterien kann es zu Erstickungen und/oder Vergiftungen kommen.
- Installieren Sie das Gerät auf einem stabilen Untergrund, um übermäßige Betriebsgeräusche oder -schwingungen zu vermeiden.
- Der A-gewichtete Schalldruckpegel ist niedriger als 70dB.
- Dieses Gerät ist vorgesehen für die Nutzung durch Fachleute oder geschultes Personal in Werkstätten, in der Leichtindustrie und in landwirtschaftlichen Betrieben oder für die kommerzielle Nutzung durch Laien.

## <FRANÇAIS>

L'anglais est l'original. Les versions fournies dans d'autres langues sont des traductions de l'original.

### ▲ PRECAUTION

- Une fuite de réfrigérant peut entraîner une asphyxie. Fournissez une ventilation adéquate en accord avec la norme EN378-1.
- Assurez-vous que la tuyauterie est enveloppée d'isolant. Un contact direct avec la tuyauterie nue peut entraîner des brûlures ou des engelures.
- Ne mettez jamais des piles dans la bouche pour quelque raison que ce soit pour éviter de les avaler par accident.
- Le fait d'ingérer des piles peut entraîner un étouffement et/ou un empoisonnement.
- Installez l'appareil sur une structure rigide pour prévenir un bruit de fonctionnement et une vibration excessifs.
- Le niveau de pression acoustique pondéré est en dessous de 70 dB.
- Cet appareil est conçu pour un utilisateur expert ou les utilisateurs formés en magasin, dans l'industrie légère et dans l'agriculture ou dans le commerce par le profane.

## <NEDERLANDS>

Het Engels is het origineel. De andere taalversies zijn vertalingen van het origineel.

### ▲ VOORZICHTIG

- Het lekken van koelvloeistof kan verstikking veroorzaken. Zorg voor ventilatie in overeenstemming met EN378-1.
- Isoleer de leidingen met isolatiemateriaal. Direct contact met de onbedekte leidingen kan leiden tot brandwonden of bevriezing.
- Stop nooit batterijen in uw mond om inslikking te voorkomen.
- Het inslikken van batterijen kan verstikking of vergiftiging veroorzaken.
- Installeer het apparaat op een stabiele structuur om overmatig lawaai of trillingen te voorkomen.
- Het niveau van de geluidsdruk ligt onder 70 dB(A).
- Dit apparaat is bedoeld voor gebruik door ervaren of opgeleide gebruikers in werkplaatsen, in de lichte industrie en op boerderijen, of voor commercieel gebruik door leken.

## <ESPAÑOL>

El idioma original del documento es el inglés. Las versiones en los demás idiomas son traducciones del original.

### ▲ CUIDADO

- Las pérdidas de refrigerante pueden causar asfixia. Se debe proporcionar la ventilación determinada en EN378-1.
- Asegúrese de colocar el aislante alrededor de las tuberías. El contacto directo con la tubería puede ocasionar quemaduras o congelación.
- Para evitar una ingestión accidental, no coloque las pilas en su boca bajo ningún concepto.
- La ingestión de las pilas puede causar asfixia y/o envenenamiento.
- Coloque la unidad en una estructura rígida para evitar que se produzcan sonidos o vibraciones excesivos debidos a su funcionamiento.
- El nivel de presión acústica ponderado A es inferior a 70 dB.
- Este aparato está destinado a su uso por parte de usuarios expertos o capacitados en talleres, industrias ligeras y granjas, o a su uso comercial por parte de personas no expertas.

## <ITALIANO>

Il testo originale è redatto in lingua Inglese. Le altre versioni linguistiche rappresentano traduzioni dell'originale.

### ▲ ATTENZIONE

- Le perdite di refrigerante possono causare asfissia. Prevedere una ventilazione adeguata in conformità con la norma EN378-1.
- Accertarsi di applicare materiale isolante intorno alle tubature. Il contatto diretto con le tubature non schermate può provocare ustioni o congelamento.
- Non introdurre in nessun caso le batterie in bocca onde evitare ingestioni accidentali.
- L'ingestione delle batterie può provocare soffocamento e/o avvelenamento.
- Installare l'unità su una struttura rigida in modo da evitare rumore o vibrazioni eccessivi durante il funzionamento.
- Il livello di pressione del suono ponderato A è inferiore a 70dB.
- Questa apparecchiatura è destinata all'utilizzo da parte di utenti esperti o addestrati in negozi, industria leggera o fattorie oppure a un uso commerciale da parte di persone non esperte.

## <ΕΛΛΗΝΙΚΑ>

Η γλώσσα του πρωτοτύπου είναι η αγγλική. Οι εκδόσεις άλλων γλωσσών είναι μεταφράσεις του πρωτοτύπου.

### ▲ ΠΡΟΣΟΧΗ

- Η διαρροή του ψυκτικού ενδέχεται να προκαλέσει ασφυξία. Φροντίστε για τον εξαερισμό σύμφωνα με το πρότυπο EN378-1.
- Φροντίστε να τυλίξετε με μονωτικό υλικό τη σωλήνωση. Η απευθείας επαφή με τη γυμνή σωλήνωση ενδέχεται να προκαλέσει εγκαυμάτα ή κρυοπαγήματα.
- Μη βάζετε ποτέ τις μπαταρίες στο στόμα σας για κανένα λόγο ώστε να αποφύγετε την κατά λάθος κατάποσή τους.
- Η κατάποση μπαταριών μπορεί να προκαλέσει πνιγμό ή/και δηλητηρίαση.
- Εγκαταστήστε τη μονάδα σε σταθερή κατασκευή ώστε να αποφύγετε τον έντονο ήχο λειτουργίας ή τους κραδασμούς.
- Η Α-σταθμισμένη στάθμη ηχητικής πίεσης είναι κάτω των 70dB.
- Η Α-σταθμισμένη στάθμη ηχητικής πίεσης είναι κάτω των 70dB.
- Η συσκευή αυτή προορίζεται για χρήση από εμπειρογέρτες ή εκπαιδευμένους χρήστες σε καταστήματα, στην ελαφριά βιομηχανία και σε αγροκτήματα, ή για εμπορική χρήση από άτομα τα οποία δεν είναι ειδήμονες.

## <PORTUGUÊS>

O idioma original é o inglês. As versões em outros idiomas são traduções do idioma original.

### ▲ CUIDADO

- A fuga de refrigerante pode causar asfíxia. Garanta a ventilação em conformidade com a norma EN378-1.
- Certifique-se de que envolve as tubagens com material de isolamento. O contacto directo com tubagens não isoladas pode resultar em queimaduras ou ulcerações provocadas pelo frio.
- Nunca coloque pilhas na boca, por nenhum motivo, para evitar a ingestão accidental.
- A ingestão de uma pilha pode causar obstrução das vias respiratórias e/ou envenenamento.
- Instale a unidade numa estrutura robusta, de forma a evitar ruídos ou vibrações excessivos durante o funcionamento.
- O nível de pressão sonora ponderado A é inferior a 70 dB.
- Este equipamento destina-se a ser utilizado por especialistas ou utilizadores com formação em lojas, na indústria ligeira e em quintas, ou para utilização comercial por leigos.

## <DANSK>

Engels er originalen. De andre sprogversioner er oversættelser af originalen.

### ▲ FORSIGTIG

- Lækage af kølemiddel kan forårsage kvælning. Sørg for udluftning i overensstemmelse med EN378-1.
- Sørg for at pakke rørene ind i isolering. Direkte kontakt med ubeklædte rør kan forårsage forbrændinger eller forfrysninger.
- Batterier må under ingen omstændigheder tages i munden for at forhindre utilsigtet indtagelse.
- Indtagelse af batterier kan forårsage kvælning og/eller forgiftning.
- Installer enheden på en fast struktur for at forhindre for høje driftslyde eller vibrationer.
- Det A-vægtede lydtrykniveau er under 70dB.
- Dette apparat er beregnet til at blive brugt af eksperter eller udlærte brugere i butikker, inden for let industri og på gårde eller til kommerciel anvendelse af lægmænd.

## <SVENSKA>

Engelska är originalspråket. De övriga språkversionerna är översättningar av originalet.

### ▲ FÖRSIKTIGHET

- Köldmedelsläckage kan leda till kvävning. Tillhandahåll ventilation i enlighet med EN378-1.
- Kom ihåg att linda isolering runt rören. Direktkontakt med bara rör kan leda till brännskador eller köldskador.
- Stoppa aldrig batterier i munnen, de kan sväljas av misstag.
- Om ett batteri sväljs kan det leda till kvävning och/eller förgiftning.
- Montera enheten på ett stadigt underlag för att förhindra höga driftljud och vibrationer.
- Den A-vägdade ljudtrycksnivån är under 70dB.
- Denna apparat är ämnad för användning av experter eller utbildade användare i affärer, inom lätt industri och på lanbruk, eller för kommersiell användning av lekmän.

## <TÜRKÇE>

Aslı İngilizce'dir. Diğer dillerdeki sürümler aslının çevirisidir.

### ▲ DİKKAT

- Soğutucu kaçağı boğulmaya neden olabilir. EN378-1 uyarınca uygun havalandırma sağlayın.
- Borular etrafına yalıtım yapıldığından emin olun. Borulara doğrudan çıplak elle dokunulması yanıklara veya soğuk ısırıklarına neden olabilir.
- Kazara yutmamak için, pilleri kesinlikle hiçbir amaçla ağzınızda tutmayın.
- Pillerin yutulması boğulmaya ve/veya zehirlenmeye yol açabilir.
- Aşırı çalışma seslerini veya titreşimi önlemek için, üniteyi sağlam bir yapı üzerine monte edin.
- A ağırıklı ses gücü seviyesi 70dB'nin altındadır.
- Bu cihaz tükütülerde, hafif endüstriyel tesislerde ve çiftliklerde uzman veya eğitimli kullanıcılar tarafından kullanılmak üzere veya normal kullanıcılar tarafından ticari kullanım için tasarlanmıştır.

## <РУССКИЙ>

Языком оригинала является английский. Версии на других языках являются переводом оригинала.

### ▲ ОСТОРОЖНО

- Утечка хладагента может стать причиной удушья. Обеспечьте вентиляцию в соответствии с EN378-1.
- Обязательно оберните трубы изоляционным материалом. Непосредственный контакт с неизолированным трубопроводом может привести к ожогам или обморожению.
- Запрещается класть элементы питания в рот по каким бы то ни было причинам во избежание случайного проглатывания.
- Попадание элемента питания в пищеварительную систему может стать причиной удушья и/или отравления.
- Устанавливайте устройство на жесткую структуру во избежание чрезмерного шума или чрезмерной вибрации во время работы.
- Уровень звукового давления по шкале A не превышает 70 дБ.
- Данное устройство предназначено для использования специалистами или обученным персоналом в магазинах, на предприятиях легкой промышленности и фермах или для коммерческого применения непрофессионалами.

## <УКРАЇНСЬКА>

Переклад оригіналу. Текст іншими мовами є перекладом оригіналу.

### ▲ ОБЕРЕЖНО

- Виток холодагента може призвести до удушся. Необхідно забезпечити вентиляцію відповідно до стандарту EN 378-1.
- Труби необхідно обмотати ізоляційним матеріалом. Прямий контакт із непокритою трубою може призвести до опіку або обмороження.
- Забороняється класти елементи живлення в рот із будь-яких причин, оскільки є ризик випадково їх проковтнути.
- Попадання елемента живлення в травну систему може стати причиною задхуку та/або отруєння.
- Встановлюйте блок на міцній конструкції, щоб уникнути надмірного рівня звуку роботи або вібрації.
- Рівень амплітудно зваженого акустичного тиску становить нижче 70 дБ.
- Цей прилад призначється для використання спеціалістами або особами, що пройшли відповідне навчання, у кранницях, легкій промисловості та сільськогосподарських підприємствах, а також для комерційного використання неспеціалістами.

## <БЪЛГАРСКИ>

Оригиналът е текстът на английски език. Версиите на други езици са преводи от оригинала.

### ▲ ВНИМАНИЕ

- Изтичането на хладилен агент може да причини задушаване. Осигурете вентилация съобразно с EN378-1.
- Не забравяйте да увиете изолация около тръбите. Директният контакт с оголени тръби може да причини изгаряне или измръзване.
- При никакви обстоятелства не поставяйте батериите в устата си, за да не ги поглънете по невнимание.
- Това може да доведе до задушаване и/или натравяне.
- Монтирайте тялото върху твърда конструкция, за да предотвратите прекомерен шум или вибрации по време на работа.
- А-преглетено ниво на звуково налягане е под 70 dB.
- Този уред е предназначен за използване от експерти или обучени потребители в магазини, в леката промисленост и във ферми, или за търговска употреба от неспециалисти.



Please be sure to put the contact address/telephone number on this manual before handing it to the customer.

**mitsubishi electric corporation**

HEAD OFFICE: TOKYO BUILDING, 2-7-3, MARUNOUCHI, CHIYODA-KU, TOKYO 100-8310, JAPAN

# Air to Water Heat Pump SUZ-SWM·VA(H) series SUZ-SHWM·VAH series

INSTALLATION MANUAL	FOR INSTALLER	English
INSTALLATIONSHANDBUCH	FÜR INSTALLATEURE	Deutsch
MANUEL D'INSTALLATION	POUR L'INSTALLATEUR	Français
INSTALLATIEHANDLEIDING	VOOR DE INSTALLATEUR	Nederlands
MANUAL DE INSTALACIÓN	PARA EL INSTALADOR	Español
MANUALE DI INSTALLAZIONE	PER L'INSTALLATORE	Italiano
ΕΓΧΕΙΡΙΔΙΟ ΟΔΗΓΙΩΝ ΕΓΚΑΤΑΣΤΑΣΗΣ	ΓΙΑ ΑΥΤΟΝ ΠΟΥ ΚΑΝΕΙ ΤΗΝ ΕΓΚΑΤΑΣΤΑΣΗ	Ελληνικά
MANUAL DE INSTALAÇÃO	PARA O INSTALADOR	Português
INSTALLATIONSMANUAL	TIL INSTALLATØREN	Dansk
INSTALLATIONSMANUAL	FÖR INSTALLATÖREN	Svenska
MONTAJ ELKİTABI	MONTÖR İÇİN	Türkçe
РУКОВОДСТВО ПО УСТАНОВКЕ	ДЛЯ УСТАНОВИТЕЛЯ	Русский
ПОСІБНИК З УСТАНОВЛЕННЯ	ДЛЯ СПЕЦІАЛІСТА З МОНТАЖУ	Українська
РЪКОВОДСТВО ЗА МОНТАЖ	ЗА МОНТАЖНИКА	Български
INSTRUKCJA MONTAŻU	DLA INSTALATORA	Polski
INSTALLASJONSHÅNDBOK	FOR MONTØR	Norsk
ASENNUSOPAS	ASENTAJALLE	Suomi
INSTALAČNÍ PŘÍRUČKA	PRO MONTÁŽNÍ PRACOVNÍKY	Čeština
NÁVOD NA INŠTALÁCIU	PRE MONTÉRA	Slovenčina
TELEPÍTÉSI KÉZIKÖNYV	A TELEPÍTŐ RÉSZÉRE	Magyar
NAMESTITVENI PRIROČNIK	ZA MONTERJA	Slovenščina
MANUAL DE INSTALARE	PENTRU INSTALATOR	Română
PAIGALDUSJUHEND	PAIGALDAJALE	Eesti
MONTĀŽAS ROKASGRĀMATA	UZSTĀDĪŠANAS SPECIĀLISTAM	Latviski
MONTAVIMO VADOVAS	SKIRTA MONTUOTOJUI	Lietuviškai
PRIRUČNIK ZA POSTAVLJANJE	ZA INSTALATERA	Hrvatski
UPUTSTVO ZA UGRADNJU	ZA MONTERA	Srpski

# Contenido

Para un uso correcto y seguro, lea detalladamente este manual y el manual de instalación de la unidad interior antes de instalar la unidad exterior. El idioma original del documento es el inglés. Las versiones en los demás idiomas son traducciones del original.

1. Medidas de Seguridad.....	1	6. Trabajo eléctrico.....	9
2. Selección del lugar de instalación.....	3	7. Mantenimiento.....	10
3. Diagrama de instalación.....	5	8. Trabajo de las tuberías de agua.....	11
4. Tubería de drenaje de la unidad exterior.....	5	9. Bombeo de vaciado.....	13
5. Colocación de los tubos de refrigerante.....	6	10. Características.....	14



**Nota: Este símbolo sólo es aplicable para la UE.**

**Este símbolo es conforme a la directiva 2012/19/UE, artículo 14, Información para usuarios y Anexo IX.**

Su producto MITSUBISHI ELECTRIC está diseñado y fabricado con materiales y componentes de alta calidad que pueden ser reciclados y reutilizados.

Este símbolo significa que el aparato eléctrico y electrónico, al final de su ciclo de vida, se debe tirar separadamente del resto de sus residuos domésticos.

Por favor, deposite este aparato en el centro de recogida/reciclado de residuos de su comunidad local cuando quiera tirarlo.

En la Unión Europea existen sistemas de recogida específicos para productos eléctricos y electrónicos usados.

¡Ayúdenos a conservar el medio ambiente!

## ! CUIDADO:

- No expulse R32 a la atmósfera.

## 1. Medidas de Seguridad

- ▶ Antes de instalar la unidad, asegúrese de haber leído el capítulo de "Medidas de seguridad".
- ▶ Antes de conectar el sistema, informe al servicio de suministro o pídales permiso para efectuar la conexión.

## ! ATENCIÓN:

Describe las precauciones que deben tenerse en cuenta para evitar el riesgo de lesiones o muerte del usuario.



: Indica una pieza que debe estar conectada a tierra.

## ! ATENCIÓN:

Lea atentamente las etiquetas adheridas a la unidad principal.

⊕ : Indica advertencias y precauciones a seguir cuando se utiliza refrigerante R32.

## ! CUIDADO:

Describe las precauciones que deben tenerse en cuenta para evitar daños en la unidad.

## SIGNIFICADO DE LOS SÍMBOLOS QUE APARECEN EN LA UNIDAD INTERIOR Y/O EN LA UNIDAD EXTERIOR

	<b>ATENCIÓN</b> (Riesgo de incendio)	Esta marca se refiere únicamente al refrigerante R32. El tipo de refrigerante está escrito en la placa de identificación de la unidad exterior. Si el tipo de refrigerante es R32, quiere decir que esta unidad utiliza un refrigerante inflamable. Si hay fugas de refrigerante y este entra en contacto con fuego o con fuentes de calor, se generarán gases perjudiciales y puede causarse un incendio.
		Lea detenidamente el MANUAL DE INSTRUCCIONES antes de utilizar el equipo.
		El personal de mantenimiento deberá leer detenidamente el MANUAL DE INSTRUCCIONES y el MANUAL DE INSTALACIÓN antes de utilizar el equipo.
		Encontrará más información en el MANUAL DE INSTRUCCIONES, en el MANUAL DE INSTALACIÓN y en documentos similares.

## ! ATENCIÓN:

- El usuario no debe instalar la unidad. La instalación y reparación de la unidad debe realizarlas un distribuidor o un técnico autorizado. Si la unidad se instala incorrectamente pueden producirse escapes de agua, descargas eléctricas o incendios.
- Para los trabajos de instalación y reubicación, siga las instrucciones del Manual de instalación y utilice herramientas y componentes para tuberías fabricados específicamente para su uso con el refrigerante R32. Si los accesorios de fontanería que se instalan no están fabricados para el refrigerante R32, los tubos se pueden quemar y causar daños o lesiones. Además, pueden producirse escapes de agua, descargas eléctricas o incendios.
- La unidad debe instalarse según las instrucciones para reducir posibles daños en caso de terremoto, huracán o vientos fuertes. Si no se instala correctamente, la unidad podría caerse y provocar daños o lesiones.
- La unidad debe instalarse firmemente sobre una estructura capaz de soportar su peso. Si la unidad se instala sobre una estructura inestable, podría caerse y provocar daños o lesiones.
- Si la bomba de calor aire-agua se instala en una sala pequeña, deberán tomarse medidas para prevenir que la concentración de refrigerante exceda los límites de seguridad en caso de fugas. Pregunte a un distribuidor por las medidas adecuadas para evitar que la concentración exceda los límites. Si se produce una fuga de refrigerante que sobrepase los límites de concentración, la estancia en la sala puede ser peligrosa por falta de oxígeno.
- Si se produce una fuga de refrigerante durante el funcionamiento, ventile la sala. Si el refrigerante entra en contacto con una llama, se desprenderán gases nocivos.
- Todas las conexiones eléctricas deberán ser realizadas por un técnico cualificado según la normativa local y las instrucciones de este manual. Cada unidad debe tener su línea eléctrica y se deben usar disyuntores y un voltaje correcto. El uso de líneas eléctricas con una capacidad insuficiente o una conexión eléctrica incorrecta puede provocar descargas eléctricas o incendios.
- Utilice tubos de cobre fosforoso del tipo C1220 y tubos de aleación de cobre sin costuras para conectar los tubos del refrigerante. Si los tubos no se conectan correctamente, la unidad no estará bien puesta a tierra y puede provocar descargas eléctricas.
- Este equipo se ha diseñado para ser utilizado por usuarios expertos o cualificados en comercios, industrias ligeras y granjas, o para su uso comercial por personas no expertas.
- Utilice solo cables especificados para el cableado. Las conexiones del cableado se deben realizar con seguridad sin que se ejerza tensión en las conexiones de los terminales. Asimismo, no empalme nunca los cables al realizar el cableado (a menos que se indique lo contrario en este documento). El hecho de no seguir estas instrucciones puede provocar un sobrecalentamiento o un incendio.
- Si el cable de alimentación sufre daños, debe ser sustituido por el fabricante, su servicio técnico o personal con una cualificación equivalente para evitar cualquier peligro.
- El aparato eléctrico debe instalarse siguiendo las regulaciones vigentes del país en materia de cableado.
- La cubierta del bloque de terminales de la unidad exterior tiene que estar bien sujeta. Si la cubierta no se instala correctamente y el polvo y la humedad entran en la unidad, se pueden producir una descarga eléctrica o un incendio.

# 1. Medidas de Seguridad

- Cuando instale, mueva o revise la bomba de calor aire-agua, utilice solo el refrigerante indicado (R32) para cargar los tubos del refrigerante. No lo mezcle con otro tipo de refrigerante y vacíe completamente de aire los tubos. Si el aire se mezcla con el refrigerante, podría producir una tensión anormalmente alta en el tubo del refrigerante y ocasionar una explosión u otros peligros. Usar un refrigerante distinto al indicado para el sistema provocará un fallo mecánico, un funcionamiento defectuoso del sistema o la avería de la unidad. En el peor de los casos, podría suponer un grave impedimento para garantizar la seguridad del producto.
- Utilice sólo accesorios autorizados por Mitsubishi Electric y pida a su distribuidor o a un técnico autorizado que se los instale. Si los accesorios no se instalan correctamente, pueden producirse escapes de agua, descargas eléctricas o incendios.
- No modifique la unidad. Podría producirse fuego, una descarga eléctrica, lesiones o escape de agua.
- El usuario nunca debe intentar reparar la unidad o moverla de sitio. Si la unidad no se instala correctamente, pueden producirse escapes de agua, descargas eléctricas o incendios. Si debe reparar o mover la bomba de calor aire-agua, acuda a un distribuidor o técnico autorizado.
- Cuando el circuito de refrigeración tiene una fuga, NO realice el bombeo de vaciado con el compresor.
- Al bombear el refrigerante, detenga el compresor antes de desconectar las tuberías de refrigerante. El compresor podría explotar si entra aire, etc. en su interior.
- Tras haber realizado la instalación, compruebe si hay fugas de refrigerante. Si en caso de fuga el refrigerante entra en contacto con las llamas de un calentador o de un equipo de cocina portátil, se desprenderán gases nocivos.
- Para acelerar el proceso de descongelación o para limpiar el aparato, utilice únicamente los medios recomendados por el fabricante.
- El aparato debe guardarse en una habitación sin fuentes de ignición en funcionamiento continuo (por ejemplo: llamas abiertas, un aparato de gas en funcionamiento o un calentador eléctrico en funcionamiento).
- No perforo ni queme el equipo.
- Tenga en cuenta que es posible que los refrigerantes no emitan olores.
- Las tuberías deben protegerse de posibles daños físicos.
- Las tuberías instaladas deben ser las mínimas.
- Deben observarse las normativas nacionales relativas al gas.
- Mantenga las aberturas de ventilación necesarias libres de obstáculos.
- No utilice una aleación para soldadura de baja temperatura si decide soldar los tubos de refrigerante.
- Cuando realice trabajos de soldadura, procure que la habitación esté bien ventilada. Compruebe que no haya materiales peligrosos o inflamables cerca de la zona de trabajo. Si trabaja en una habitación cerrada o pequeña, o en un lugar similar, compruebe que no haya fugas de refrigerante antes de realizar el trabajo. Si se producen fugas de refrigerante y este se acumula, puede encontrarse o liberar gases tóxicos.
- El aparato debe guardarse en una zona bien ventilada, y la habitación debe tener el tamaño especificado para un funcionamiento correcto.
- Mantenga los aparatos que utilizan combustibles gaseosos, calefactores eléctricos y otros elementos inflamables (fuentes de ignición) apartados del lugar donde se llevará a cabo la instalación, reparación y otras tareas en la bomba de calor aire-agua. Si el refrigerante entra en contacto con una llama, se liberarán gases tóxicos.
- No fume durante el trabajo y el transporte.
- No añada más refrigerante del máximo especificado para cada una de las unidades exteriores. Si se excede la cantidad máxima de refrigerante especificada, podría producirse un incendio si hubiera fugas de refrigerante.

## 1.1. Cuestiones previas a la instalación

### CUIDADO:

- No utilice la unidad en un ambiente enrarecido. Esta bomba de calor aire-agua no se puede instalar en áreas expuestas al vapor, aceite esencial (incluyendo el aceite para máquinas) o gas sulfúrico, ni en áreas con alto contenido en sal, como playas, o en zonas donde la nieve pueda cubrir la unidad, ya que pueden reducir significativamente su rendimiento y dañar las piezas internas.
- No instale la unidad donde se puedan verter, producir, circular o acumular gases inflamables. Si se acumula gas inflamable en zonas próximas a la unidad, se podría producir un incendio o una explosión.
- La unidad exterior produce condensación cuando funciona como calefacción. Asegúrese de habilitar drenaje alrededor de la unidad exterior si la condensación puede provocar daños.
- Si instala la unidad en un hospital o en un centro de comunicaciones, recuerde que la unidad produce ruidos e interferencias electrónicas. Los conmutadores, aparatos domésticos, equipos médicos de alta frecuencia y equipos de comunicaciones de radio pueden provocar un funcionamiento defectuoso o la avería de la bomba de calor aire-agua. La bomba de calor aire-agua también puede producir efectos en los equipos médicos, e interferir en los cuidados médicos, y en los equipos de comunicaciones, dañando la calidad de la visualización en la pantalla.

## 1.2. Cuestiones previas a la instalación (reubicación)

### CUIDADO:

- Extremar las precauciones al transportar o instalar las unidades. Se necesitan dos o más personas para llevar la unidad porque pesa 20 kg o más. No la sujete por las bandas de embalaje. Utilice guantes protectores para sacar la unidad de la caja y para moverla, ya que se podría lastimar las manos con las aletas o con los bordes de alguna de las piezas.
- Guarde los embalajes en un lugar seguro. Los materiales de embalaje, como clavos y otras piezas de metal o de madera pueden producir pinchazos y otras lesiones.
- La base y los aditamentos de fijación de la unidad exterior deben comprobarse periódicamente para detectar posibles roturas, tuercas flojas o cualquier otro daño que hayan podido sufrir. Si no se solucionan esos problemas, la unidad podría caerse y causar daños o lesiones.
- No limpie con agua la bomba de calor aire-agua. Puede sufrir una descarga eléctrica.
- Apriete las tuercas de abocardado a los niveles recomendados mediante una llave dinamométrica. Si las aprieta demasiado, se pueden romper al cabo de un tiempo y producirse fugas de refrigerante.

## 1.3. Antes de la instalación eléctrica

### CUIDADO:

- Asegúrese de instalar disyuntores. Si no se instalan, se podrían producir descargas eléctricas.
- Use cables estándar de suficiente capacidad para las líneas eléctricas. Si no lo hace así, se podría producir un cortocircuito, un sobrecalentamiento o un incendio.
- Cuando instale las líneas eléctricas, los cables no deben tener corriente. Si las conexiones se aflojan, los cables se podrían cruzar o romper y se podría producir un incendio o un sobrecalentamiento.
- Asegúrese de instalar una toma de tierra. No conecte el cable de tierra a las tomas de tierra de las tuberías de gas o de agua, de postes de iluminación o de teléfono. Si la unidad no está bien conectada a la línea de tierra, se puede producir una descarga eléctrica.
- Utilice disyuntores (interruptor de falta de tierra, interruptor aislante (+fusible B) e interruptores en caja moldeada) con la potencia especificada. Si la potencia del interruptor es mayor que la especificada, puede ocurrir un incendio o una avería.



# 1. Medidas de Seguridad

## 1.4. Antes de realizar las pruebas de funcionamiento

### ⚠ CUIDADO:

- Conecte la corriente al menos 12 horas antes de que empiece a funcionar el equipo. Si se acciona inmediatamente después de haberlo conectado a la corriente, pueden producirse daños graves en las piezas internas. Mantenga la unidad conectada a la corriente durante la temporada de funcionamiento.
- Antes de que comience a funcionar el equipo, compruebe que todos los paneles y protectores están instalados correctamente. Las piezas giratorias, calientes o de alto voltaje pueden provocar lesiones.
- No toque ningún interruptor con las manos mojadas. Puede sufrir una descarga eléctrica.

- No toque la tubería del refrigerante sin guantes mientras durante el funcionamiento. La tubería del refrigerante está caliente o frío según las condiciones de la corriente de refrigerante. Si toca la tubería puede sufrir quemaduras por el calor o por el frío.
- Una vez deje de funcionar el aparato, espere cinco minutos antes de apagar el interruptor principal. De lo contrario, se puede producir un goteo de agua o una avería.

## 1.5. Utilizar el refrigerante R32 para la bomba de calor aire-agua

### ⚠ CUIDADO:

- Utilice tubos de cobre fosforoso del tipo C1220 y tubos de aleación de cobre sin costuras para conectar los tubos del refrigerante. Asegúrese de que el interior de las tuberías está limpio y que no contienen ningún contaminante dañino como compuestos sulfúricos, oxidantes, impurezas o polvo. Utilice tuberías con el grosor especificado. (Consulte la sección 4.1.) Tenga en cuenta lo siguiente si reutiliza tuberías que contenían refrigerante R22.
  - Sustituya las tuercas de abocardado existentes y vuelva a abocardar las secciones abocardadas.
  - No use tuberías de poco grosor. (Consulte la sección 4.1.)
- Almacene las tuberías que se deban instalar en el interior y mantenga los orificios tapados hasta el momento de instalarlas. (Deje las juntas articuladas y otras piezas en sus embalajes.) Si el polvo, los restos o la humedad entran en las tuberías de refrigeración, se puede producir el deterioro del aceite o una avería en el aparato.
- Utilice aceite de éster, de éter o alquilobenceno (en pequeñas cantidades) para recubrir las secciones abocardadas. Si se mezcla aceite mineral con aceite de refrigeración se puede deteriorar el aceite.
- Las operaciones de mantenimiento deben realizarse únicamente de la forma recomendada por el fabricante.

- No utilice otro refrigerante que no sea R32. Si utiliza otro refrigerante, el cloro provocará el deterioro del aceite.
- Utilice las siguientes herramientas especialmente diseñadas para usar con el refrigerante R32. Se necesitan las siguientes herramientas para utilizar el refrigerante R32. Si tiene alguna duda, consulte con su distribuidor más cercano.

Herramientas (para R32)	
Manómetro	Abocardador
Manguera de carga	Ajustador del tamaño
Detector de fugas de gas	Adaptador de la bomba de vacío
Llave dinamométrica	Báscula electrónica de carga del refrigerante

- Asegúrese de utilizar las herramientas adecuadas. Si el polvo, los restos o la humedad entran en las tuberías de refrigeración, se puede producir el deterioro del aceite de refrigeración.

## 2. Selección del lugar de instalación

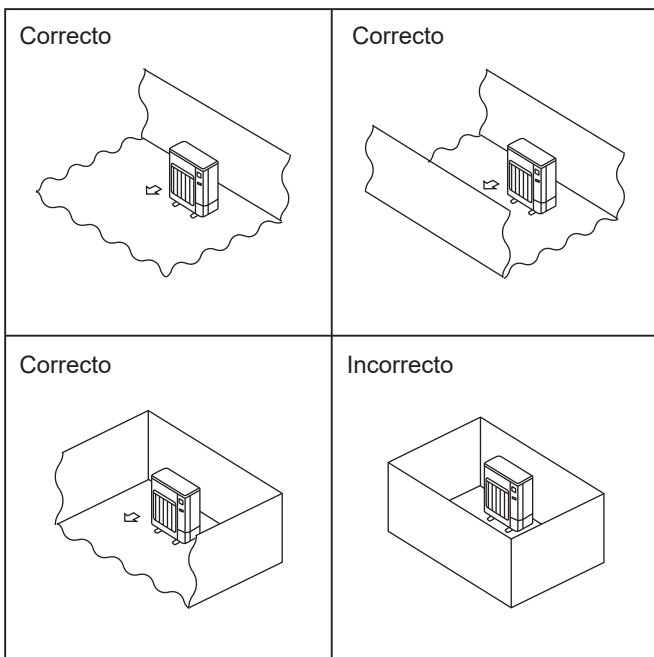


Fig. 2-1

### 2.1. Unidad exterior

- El R32 es más pesado que el aire, igual que los otros refrigerantes, por lo que suele acumularse en la base (cerca del suelo). Si el R32 se acumula alrededor de la base, la concentración puede llegar a resultar inflamable si la habitación es pequeña. Para evitar la ignición, es necesario trabajar en un entorno laboral seguro y con una ventilación adecuada. Si se detecta una fuga de refrigerante en una sala o en una zona con poca ventilación, procure no utilizar llamas hasta que pueda ventilarse adecuadamente el entorno laboral.
- Donde no esté expuesta a un viento fuerte.
- Donde haya un buen flujo de aire sin polvo.
- Donde no realice el ciclo corto del aire.
- Donde el ruido o el aire caliente causados por el funcionamiento no moleste a los vecinos.
- Donde haya una pared o un punto de apoyo firme para evitar un mayor ruido o vibración durante el funcionamiento.
- Donde no existan riesgo de fugas de gas combustible.
- Si se instala la unidad en alto, asegúrese de fijar las patas de la unidad.
- Donde esté a una distancia mínima de 3 m de cualquier antena de televisión o radio. (Ya que puede provocar interferencias en las imágenes o ruidos.)
- Instálelo en un área donde no sufra el efecto provocado por una nevada, viento y nieve. En zonas de intensa nieve, le rogamos que instale un toldo, pedestal y/o algunas pantallas acústicas planas.
- Instale la unidad horizontalmente.
- La conexión de los tubos de refrigerante debe encontrarse en un lugar accesible para poder realizar las operaciones de mantenimiento.
- Instale las unidades exteriores en un lugar donde al menos uno de los cuatro lados esté abierto, y en un espacio lo suficientemente grande y no elevado. (Fig. 2-1)

### ⚠ CUIDADO:

Para instalar la bomba de calor aire-agua evite los lugares siguientes donde es más probable que ocurran problemas.

- Donde haya demasiado aceite para maquinaria.
- Ambientes salobres como las zonas costeras.
- Zonas de baños termales.
- Donde haya gas sulfúrico.
- Otras zonas con características atmosféricas especiales.

La unidad exterior provoca condensación durante la función de calefacción. Seleccione un lugar para la instalación en el que la unidad exterior y las tomas de tierra no se humedezcan con agua de drenaje ni se dañen debido a la congelación de este agua de drenaje.

## 2. Selección del lugar de instalación

### 2.2. Requisitos mínimos de la zona de instalación

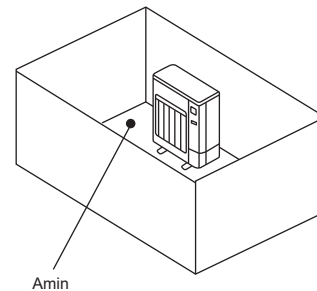
Si debe instalarse forzosamente la unidad en un espacio con los cuatro lados cerrados o elevado, compruebe que se cumpla una de estas situaciones (A, B o C).

**Nota:** Estas contramedidas son para mantener la seguridad y no pueden aplicarse como garantía de las especificaciones.

A) Procure el espacio suficiente para la instalación (requisitos mínimos de la zona de instalación  $A_{min}$ ).

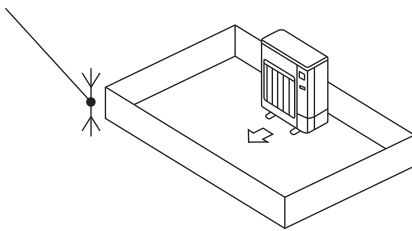
Instale el equipo en un espacio cuya zona de instalación sea como mínimo la indicada en  $A_{min}$ , correspondiente a una cantidad de refrigerante M (refrigerante cargado de fábrica + refrigerante añadido por cada cliente).

M [kg]	$A_{min}$ [m <sup>2</sup> ]
1,0	12
1,5	17
2,0	23
2,5	28
3,0	34
3,5	39
4,0	45
4,5	50
5,0	56
5,5	62
6,0	67
6,5	73
7,0	78
7,5	84

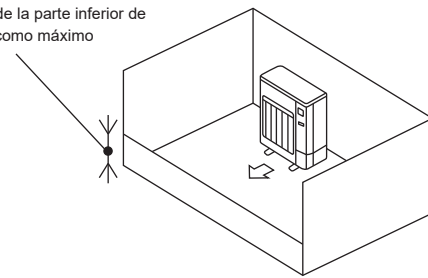


B) Instale el equipo en un espacio elevado con una altura máxima de  $\leq 0,125$  [m].

Altura desde la parte inferior de 0,125 [m] como máximo



Altura desde la parte inferior de 0,125 [m] como máximo

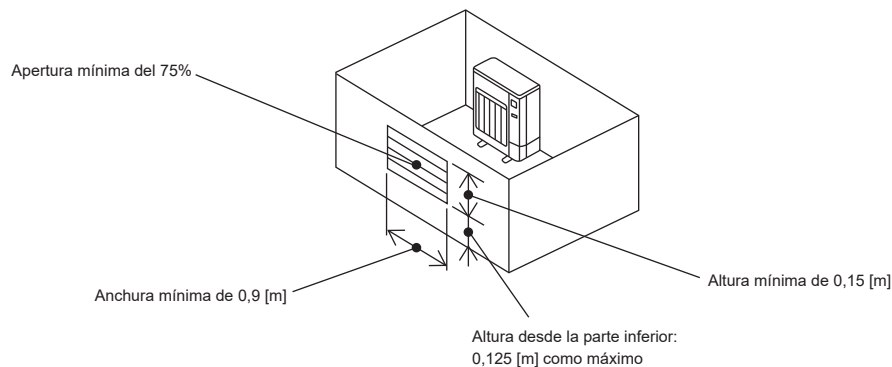


C) Cree una zona abierta para procurar una ventilación adecuada.

Compruebe que la zona abierta tenga una anchura mínima de 0,9 [m] y una altura mínima de 0,15 [m].

No obstante, la altura desde la parte inferior del espacio de instalación hasta el borde inferior de la zona abierta debe ser como máximo de 0,125 [m].

La zona abierta debe tener una apertura mínima del 75%.



**Nota:** En cuanto a la unidad interior, no existen restricciones de instalación debido al uso del refrigerante R32.

Consulte el manual de instalación de la unidad interior y compruebe la zona de instalación necesaria.

### 3. Diagrama de instalación

#### 3.1. Unidad exterior (Fig. 3-1)

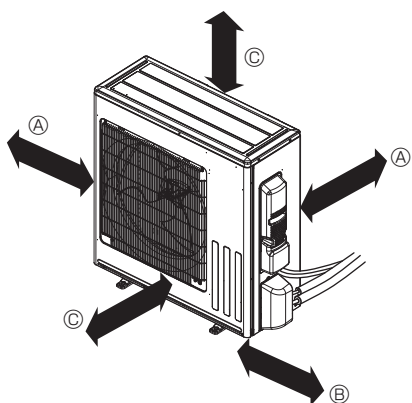
##### Ventilación y espacio de servicio

- Ⓐ 100 mm o más
- Ⓑ 350 mm o más
- Ⓒ 500 mm o más

Cuando tenga que instalar la tubería en una pared que contenga metales (no metalizada) o una malla metálica, coloque una pieza de madera tratada químicamente de 20 mm o más de grosor entre la pared y la tubería o proteja a ésta última con 7 u 8 vueltas de cinta de vinilo aislante.

Las unidades deberán ser instaladas por una persona titulada, de acuerdo a las normas locales.

- SUZ-SWM80VA2, SUZ-SWM80VAH2, SUZ-SWM100VA, SUZ-SWM100VAH, SUZ-SHWM60VAH



##### Nota:

Si utiliza la bomba de calor aire-agua cuando la temperatura exterior es baja, observe las instrucciones siguientes.

- No instale nunca la unidad exterior en un lugar en el que el lado de la entrada/salida de aire quede expuesto directamente al viento.
- Para evitar la exposición al viento, instale la unidad exterior con el lado de la entrada de aire hacia la pared.
- Para evitar la exposición al viento, se recomienda instalar una placa deflectora en el lado de salida de aire de la unidad exterior.

- SUZ-SWM30VA, SUZ-SWM40VA2, SUZ-SWM60VA2, SUZ-SHWM30VAH, SUZ-SHWM40VAH

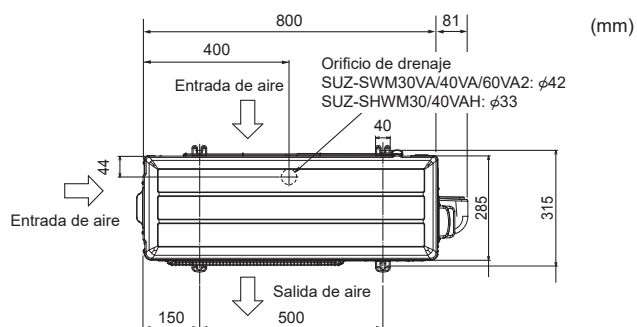
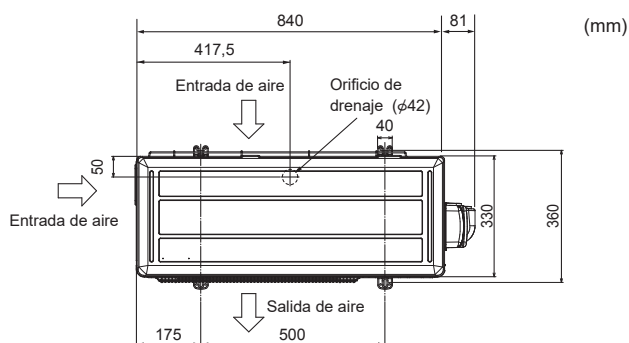
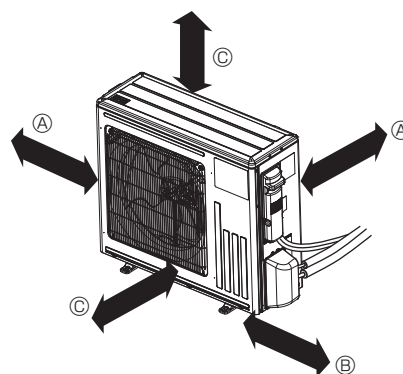


Fig. 3-1

### 4. Tubería de drenaje de la unidad exterior (Fig. 4-1)

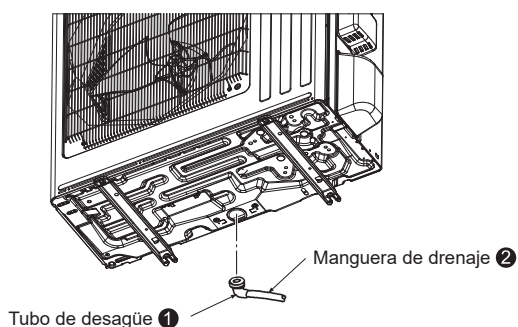


Fig. 4-1

#### 4.1. Accesorios

Antes de la instalación, compruebe que tiene las siguientes piezas.

<Unidad exterior>

①	Tubo de desagüe	1
---	-----------------	---

- Disponga los tubos de desagüe antes de proceder a la conexión de los tubos interiores y exteriores. (Resultará difícil instalar el tubo de desagüe ① si se realiza la conexión de los tubos interiores y exteriores antes que los tubos de desagüe, dado que la unidad exterior no se podrá mover).
- Conecte la manguera de drenaje ② (se puede obtener en una tienda, diámetro interior: 15 mm) como se muestra en la ilustración.
- El tubo de desagüe debe tener una pendiente descendente para facilitar el flujo.

##### Nota:

No utilice el tubo de desagüe ① en regiones frías. El desagüe se puede congelar y provocar la parada del ventilador. La serie SHWM no incluye el tubo de desagüe.

## 5. Colocación de los tubos de refrigerante

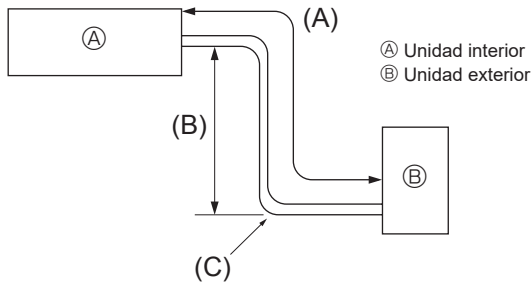


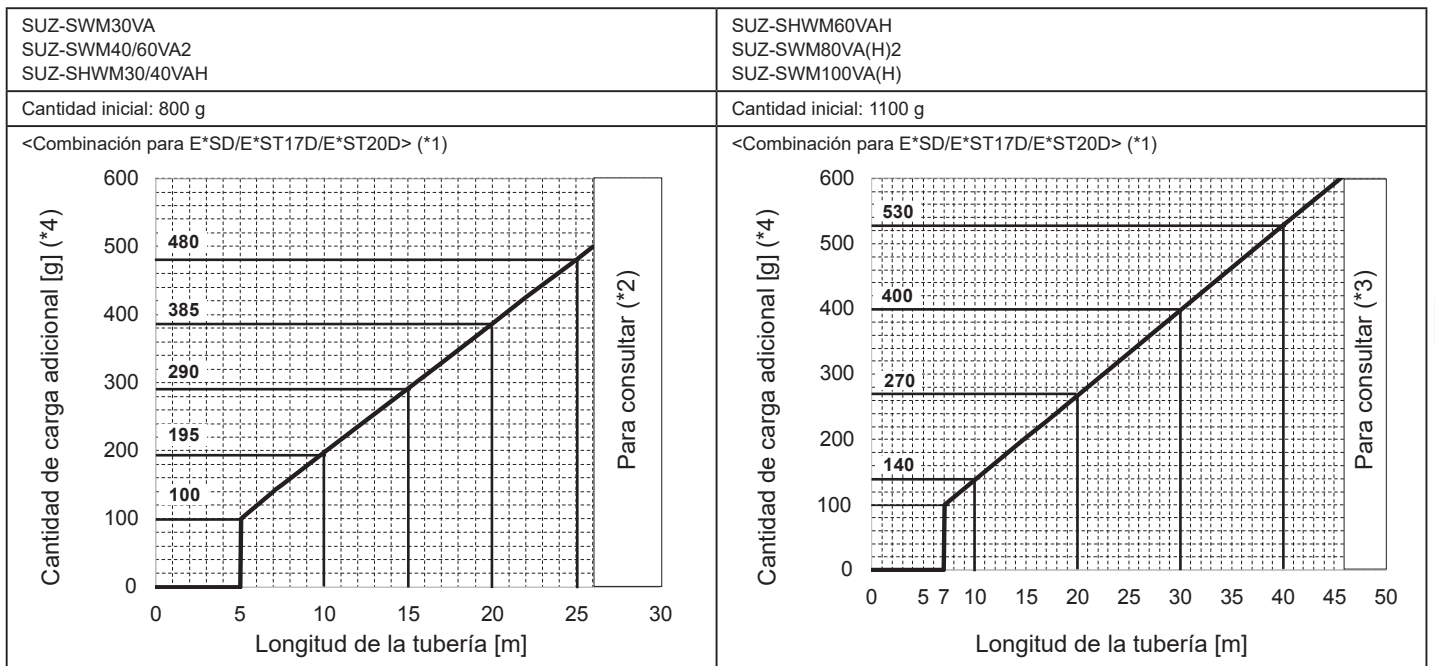
Fig. 5-1

### 5.1. Tubería de refrigerante (Fig. 5-1)

► Compruebe que la diferencia de altura entre las unidades interior y exterior, la longitud del tubo de refrigerante y la cantidad de codos en la tubería se encuentren dentro de los límites que se indican a continuación.

Modelos	(A) Longitud de tubería (un sentido)	(B) Diferencia de altura	(C) Número de codos (un sentido)
SUZ-SWM30VA	2 m - 26 m	Màx. 26 m	Màx. de 10
SUZ-SHWM30VAH			
SUZ-SWM40VA2			
SUZ-SHWM40VAH			
SUZ-SWM60VA2	2 m - 46 m	Màx. 30 m	
SUZ-SHWM60VAH			
SUZ-SWM80VA(H)2			
SUZ-SWM100VA(H)			

• Las limitaciones de diferencia de altura son obligatorias sin importar qué unidad, la interior o la exterior, está colocada más alta.



\*1. En caso de conectarse al E\*ST30D, añada SIEMPRE 50 g además de la carga adicional según los gráficos.

\*2. Si la longitud de la tubería es superior a 26 m, consulte siempre con nuestro especialista.

\*3. Si la longitud de la tubería es superior a 46 m, consulte siempre con nuestro especialista.

\*4. En caso de recarga completa; cantidad de carga inicial + adicional

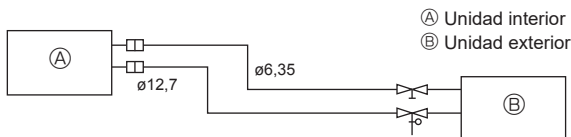


Fig. 5-2

(1) La tabla siguiente muestra las especificaciones de los tubos comercialmente disponibles. (Fig. 5-2)

Modelo	Tubo	Diámetro exterior		Grosor mínimo de la pared	Grosor de aislamiento	Material de aislamiento
		mm	pulg.			
Todos los modelos	Para líquido	6,35	1/4	0,8 mm	8 mm	Plástico celular resistente al calor con una gravedad específica de 0,045
	Para gas	12,7	1/2	0,8 mm	8 mm	

(2) Asegúrese de que los dos tubos de refrigerante estén bien aislados para evitar la condensación.

(3) El radio de flexión del tubo de refrigerante debe ser de 100 mm o más.

### ⚠ CUIDADO:

Asegúrese de utilizar el aislamiento del grosor especificado. Un grosor excesivo impide el almacenamiento detrás de la unidad interior y un menor grosor produce un goteo por condensación.

- Disponga siempre de una ventilación adecuada para evitar posibles incendios. Además, observe las medidas adecuadas para la prevención de incendios, comprobando que no haya objetos peligrosos o inflamables en la zona circundante.
- Recarga de mantenimiento del R32: Antes de rellenar el equipo con R32, debe comprobarse que el equipo está totalmente desconectado de la red eléctrica para garantizar que no existe riesgo de explosión debido a chispas eléctricas.
- Los materiales de aislamiento deben cumplir las siguientes especificaciones.
  - (1) Velocidad de transferencia térmica: 0,040 W/mK como máximo
  - (2) Grosor de aislamiento: 9 mm como mínimo
  - (3) Resistencia térmica: 110 °C como mínimo
 Si la longitud de la tubería en el exterior es superior a 15 m, el grosor de aislamiento debería ser como mínimo de 18 mm.

## 5. Colocación de los tubos de refrigerante

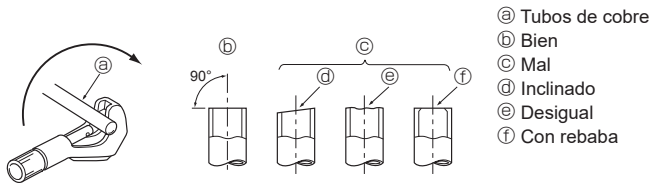


Fig. 5-3

- Ⓐ Tubos de cobre
- Ⓑ Bien
- Ⓒ Mal
- Ⓓ Inclinado
- Ⓔ Desigual
- Ⓕ Con rebaba

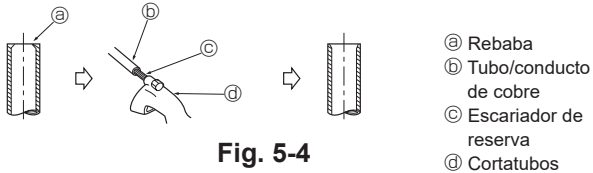


Fig. 5-4

- Ⓐ Rebaba
- Ⓑ Tubo/conducto de cobre
- Ⓒ Escariador de reserva
- Ⓓ Cortatubos

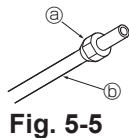


Fig. 5-5

- Ⓐ Tuerca cónica
- Ⓑ Tubo de cobre

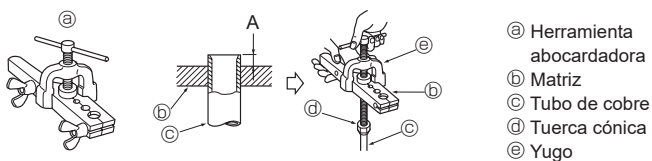


Fig. 5-6

- Ⓐ Herramienta abocardadora
- Ⓑ Matriz
- Ⓒ Tubo de cobre
- Ⓓ Tuerca cónica
- Ⓔ Yugo

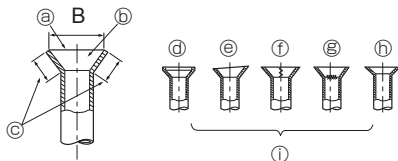


Fig. 5-7

### 5.2. Trabajo de abocinamiento

- La causa principal de las fugas de gas es un trabajo de abocinamiento defectuoso. Lleve a cabo el trabajo de abocinamiento según el procedimiento siguiente.

#### 5.2.1. Corte del tubo (Fig. 5-3)

- Utilizando un cortatubos, corte correctamente el tubo de cobre.

#### 5.2.2. Extracción de las rebabas (Fig. 5-4)

- Extraiga completamente todas las rebabas de la sección de corte transversal del tubo/conducto.
- Mientras extrae las rebabas, ponga el extremo del tubo/conducto de cobre en dirección descendente para evitar que éstas penetren en el mismo.

#### 5.2.3. Colocación de las tuercas (Fig. 5-5)

- Extraiga las tuercas cónicas fijadas en las unidades interior y exterior y, a continuación, póngalas en el tubo/conducto una vez finalizada la extracción de las rebabas.
- (no es posible ponerlas tras el trabajo de abocinamiento)

#### 5.2.4. Trabajo de abocinamiento (Fig. 5-6)

- Realice el trabajo de abocinamiento utilizando una herramienta abocardadora, tal como se muestra a la izquierda.

Diámetro del tubo (mm)	Dimensiones	
	A (mm)	
	Cuando se utiliza la herramienta para R32	B <sup>+0</sup> <sub>-0,4</sub> (mm)
	Tipo embrague	
6,35	0 - 0,5	9,1
9,52	0 - 0,5	13,2
12,7	0 - 0,5	16,6
15,88	0 - 0,5	19,7

Sujete firmemente el tubo de cobre con una matriz según las dimensiones indicadas en la tabla anterior.

#### 5.2.5. Comprobación (Fig. 5-7)

- Compare el trabajo de abocinamiento con una de las imágenes que se muestran a la izquierda.
- Si observa que es defectuoso, corte la sección abocinada y realice de nuevo el trabajo de abocinamiento.

- Ⓐ Completamente uniforme
- Ⓑ El interior es pulido sin ninguna estría
- Ⓒ Nivelado en toda su longitud
- Ⓓ Demasiado
- Ⓔ Inclinado
- Ⓕ Estrías en la superficie abocinada
- Ⓖ Agrietado
- Ⓗ Desigual
- Ⓘ Malos ejemplos

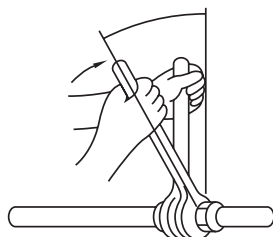


Fig. 5-8

- Aplique una capa fina de aceite refrigerante en la superficie de asiento de la tubería. (Fig. 5-8)
- Para hacer la conexión, alinee primero el centro y luego dele a la tuerca abocinada las primeras 3 o 4 vueltas.
- Utilice la siguiente tabla de pares de torsión como guía para la sección de unión lateral de la unidad interior y apriete empleando dos llaves. Procure no apretar demasiado, ya que podría deteriorar la sección abocinada.

Tubo de cobre D.E. (mm)	Tuerca de abocardado (mm)	Torsión de apriete (N·m)
ø6,35	17	14 - 18
ø9,52	22	34 - 42
ø12,7	26	49 - 61
ø15,88	29	68 - 82

### ⚠ ATENCIÓN:

Al instalar la unidad, conecte las tuberías de refrigerante de forma fija antes de poner en marcha el compresor.

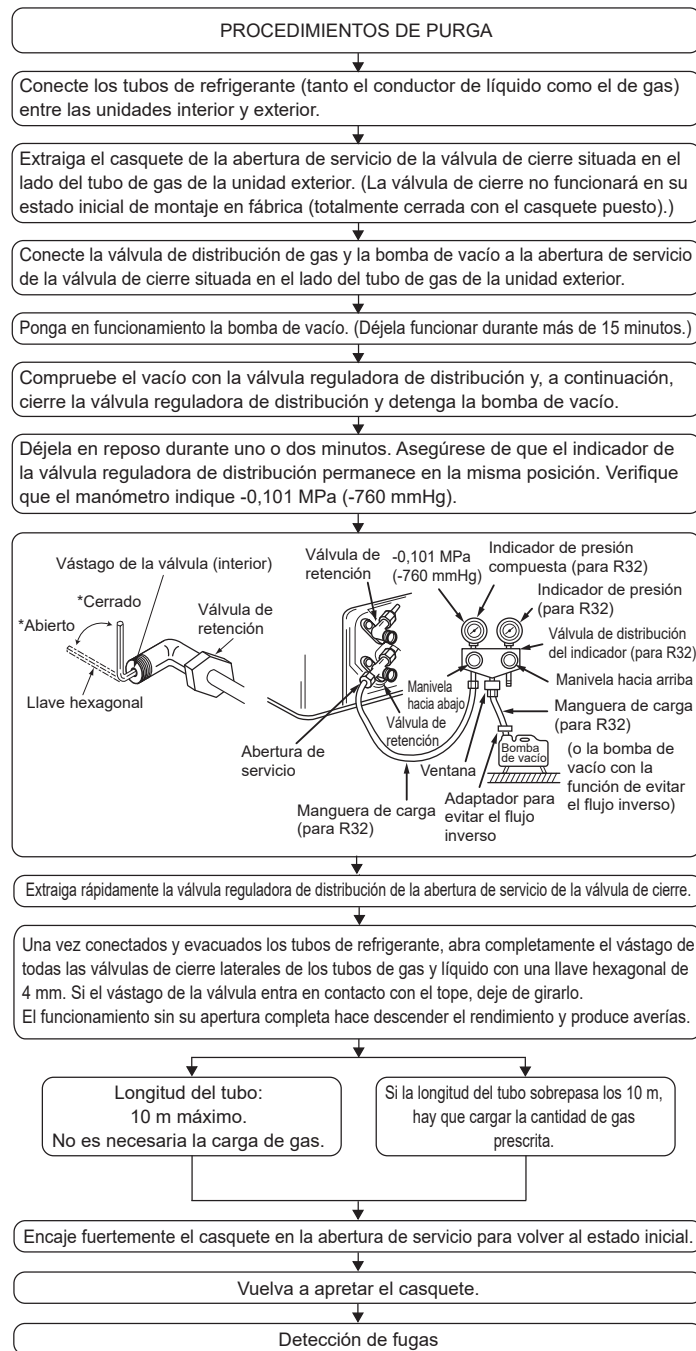
### ⚠ ATENCIÓN:

Tenga cuidado de no soltar la tuerca de abocardado. (Presurización interna) Extraiga la tuerca de abocardado tal y como se indica:

1. Afloje la tuerca hasta que escuche un silbido.
2. No extraiga la tuerca hasta que se haya liberado completamente el gas (es decir, hasta que se detenga el silbido).
3. Compruebe que se haya liberado completamente el gas y extraiga la tuerca.

## 5. Colocación de los tubos de refrigerante

### 5.3. Detección de fugas en el procedimiento de purga

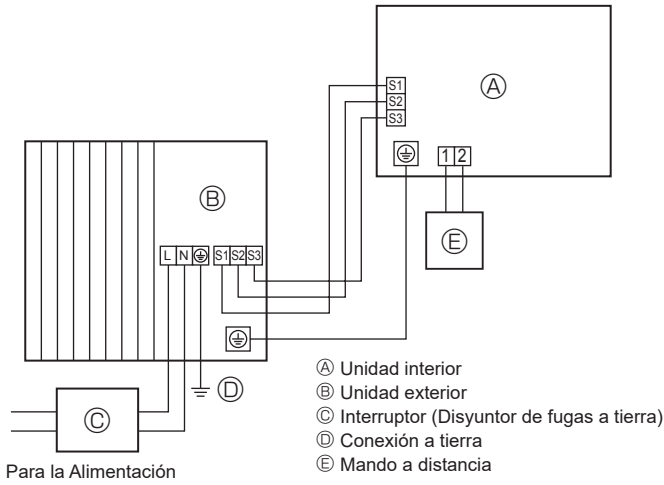


## 6. Trabajo eléctrico

### 6.1. Unidad exterior (Fig. 6-1, Fig. 6-2, Fig. 6-3)

- ① Retire el panel de servicio.
- ② Conecte los cables de acuerdo con la Fig. 6-1, Fig. 6-2 y la Fig. 6-3.

#### ■ SUZ-SHWM60VAH, SUZ-SWM80VA(H)2, SUZ-SWM100VA(H)



#### ■ SUZ-SHWM30/40VAH, SUZ-SWM30VA, SUZ-SWM40/60VA2

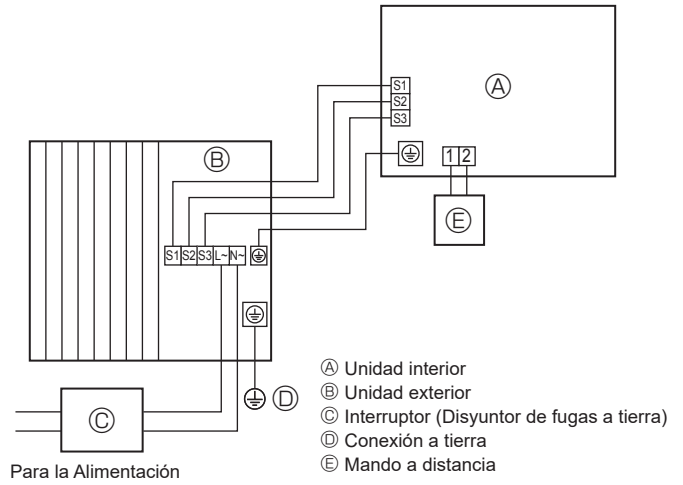


Fig. 6-1

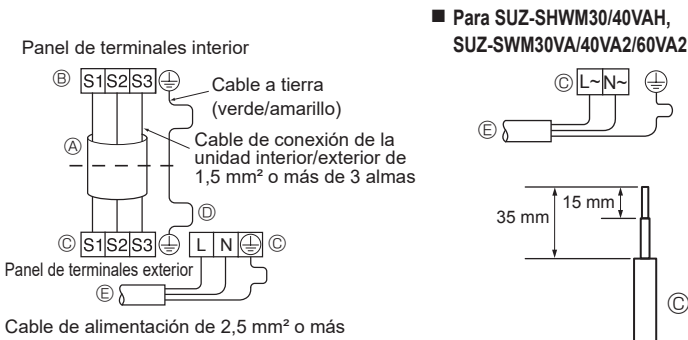
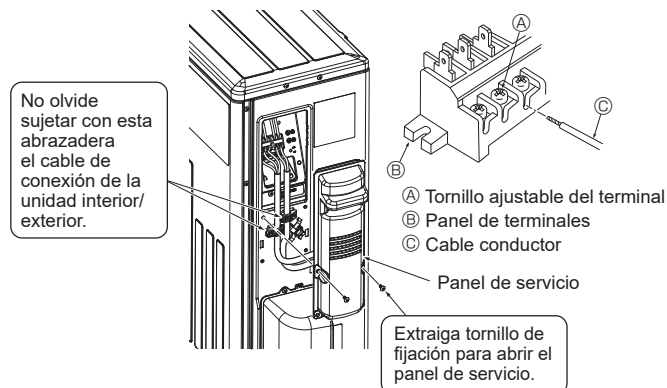


Fig. 6-2

#### ■ SUZ-SWM30VA, SUZ-SWM40VA2, SUZ-SWM60VA2, SUZ-SHWM30VAH, SUZ-SHWM40VAH



#### ■ SUZ-SWM80VA2, SUZ-SWM100VA, SUZ-SWM80VAH2, SUZ-SWM100VAH, SUZ-SHWM60VAH

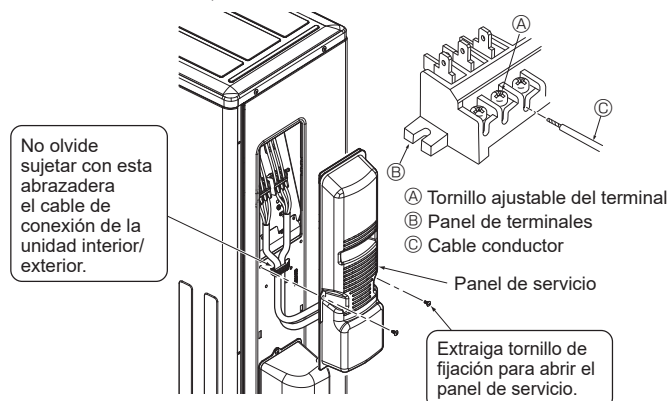


Fig. 6-3

- Realice el tendido eléctrico como muestra el diagrama inferior izquierdo (los cables no vienen incluidos). (Fig. 6-2)
- Asegúrese de emplear únicamente cables que tengan la polaridad correcta.

- (A) Cable de conexión
- (B) Panel de terminales interior
- (C) Panel de terminales exterior
- (D) Instale siempre un cable de tierra más largo que el resto de cables.
- (E) Cable de alimentación
- (F) Cable conductor

- El cable de tierra tiene que ser un poco más largo que los otros (más de 100 mm).
- Con vistas a un futuro mantenimiento, prolongue los cables de conexión.
- Asegúrese de conectar cada tornillo con su terminal correspondiente cuando fije los cables al panel de terminales.

- Conecte correctamente el cable de la unidad interior al bloque del terminal.
- Utilice el mismo bloque de terminal y la misma polaridad empleada en la unidad interior.
- Para el mantenimiento posterior, dele una longitud adicional al cable de conexión.

- Ambos extremos del cable de conexión (cordón de extensión) están pelados. Cuando sea demasiado largo o se conecte mediante un corte por la mitad, pele el cable de la fuente de alimentación según las medidas que aparecen en la figura.
- Tenga cuidado de que el cable de conexión no haga contacto con los tubos.

### ⚠ CUIDADO:

- Asegúrese de no realizar un mal cableado.
- Apriete firmemente los tornillos del terminal para evitar que se aflojen.
- Tras apretarlos, tire ligeramente de los cables para confirmar que no se muevan.

### ⚠ ATENCIÓN:

- Asegúrese de fijar firmemente el panel de servicio de la unidad exterior. Si no se monta correctamente, podría producirse un incendio o un electrochoque a causa del polvo, el agua, etc.
- Apriete firmemente los tornillos de cada terminal.
- Realice el cableado de modo que los cables de alimentación no estén en tensión, ya que se podría recalentar o causar un incendio.

## 6. Trabajo eléctrico

### 6.2. Cableado eléctrico de campo

Modelo de unidad exterior	SUZ-SHWM30VAH/40VAH SUZ-SWM30VA/40VA2/60VA2	SUZ-SHWM60VAH SUZ-SWM80VA(H)2/SWM100VA(H)
Alimentación de la unidad exterior	~N (simple), 50 Hz, 230 V	~N (simple), 50 Hz, 230 V
Capacidad de entrada de la unidad exterior Interruptor principal (Fusible) *1	16 A	20 A
Cable de Cableado N.º × tamaño (mm²)	Alimentación de la unidad exterior	2 × Min. 2,5
	Tierra de alimentación de la unidad exterior	1 × Min. 2,5
	Unidad interior-Unidad exterior	3 × 1,5 (polarizado)
	Unidad interior- Tierra de unidad exterior	1 × Min. 1,5
Valor nominal del circuito	Unidad exterior L-N *2	230 VCA
	Unidad interior-Unidad exterior S1-S2 *2	230 VCA
	Unidad interior-Unidad exterior S2-S3 *2	12 VCC – 24 VCC

\*1. Se debe disponer de un disyuntor con al menos 3 mm de separación de contacto en cada polo. Utilice un interruptor de toma de tierra (NV).

Asegúrese de que el disyuntor de corriente es compatible con corrientes armónicas más altas.

Utilice siempre un disyuntor de corriente compatible con corrientes armónicas más altas ya que esta unidad está equipada con un conmutador.

El uso de un disyuntor inadecuado puede hacer que el conmutador no funcione correctamente.

\*2. Las figuras NO siempre presentan toma de tierra.

El terminal S3 tiene 24 VCC contra el terminal S2. Sin embargo, entre S3 y S1, estos terminales NO están aislados eléctricamente por el transformador u otro dispositivo.

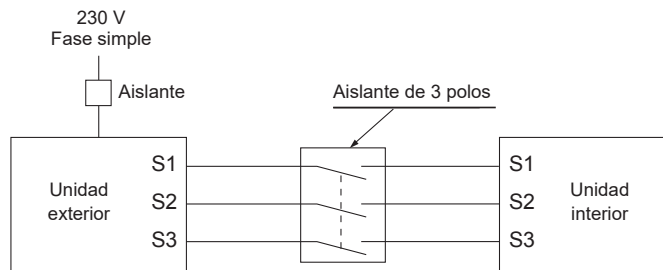
**Notas:** 1. El tamaño de cableado debe cumplir la normativa local y nacional.

2. Los cables de alimentación y los cables de conexión de la unidad interior/externa no deben ser más ligeros que cables flexibles revestidos de policloropreno. (Diseño 60245 IEC 57)

3. Instale un cable de tierra más largo que el resto de cables.

4. Utilice cables de distribución autoextinguibles para el cableado eléctrico.

5. Tienda con cuidado los cables para evitar el contacto con el borde metálico de la tapa o con la punta de un tornillo.



### ⚠ ATENCIÓN:

El terminal S3 presenta un potencial de alto voltaje provocado por el diseño del circuito eléctrico que no presenta aislamiento eléctrico entre la línea de alimentación y la línea de señal de comunicación. Así pues, desconecte la alimentación principal cuando realice el servicio. Y no toque los terminales S1, S2, S3 cuando reciban alimentación. Si es necesario utilizar un aislante entre la unidad interior y la unidad exterior, utilícelo de 3 polos.

No empalme nunca el cable de corriente o el cable de la conexión interior-externa, de lo contrario se podrían provocar humo, un incendio o un fallo en la comunicación.

Asegúrese de conectar directamente los cables de conexión interior-externa a las unidades (no hay conexiones intermedias).

Las conexiones intermedias pueden dar lugar a errores de comunicación si entra agua en los cables y ocasionar que el aislamiento a tierra sea insuficiente o que el contacto eléctrico sea deficiente en el punto de conexión intermedio.

## 7. Mantenimiento

### 7.1. Carga de gas (Fig. 7-1)

1. Conecte el cilindro de gas a la abertura de servicio de la válvula de parada (de 3 vías).
2. Purgue el aire del tubo (o conducto) procedente del cilindro de gas refrigerante.
3. Vuelva a llenar la cantidad de refrigerante especificada mientras la bomba de calor aire-agua esté funcionando en modo de refrigeración.

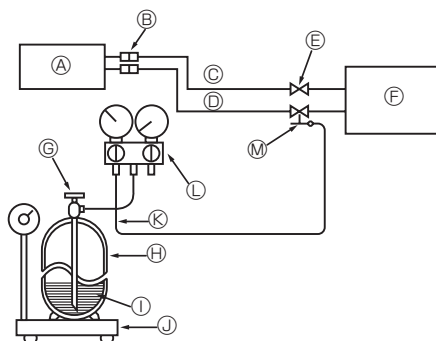
**Nota:**

Si añade refrigerante, no sobrepase la cantidad especificada para el ciclo de refrigeración.

### ⚠ CUIDADO:

- No descargue el refrigerante en el ambiente. Tenga cuidado en no descargar el refrigerante en el ambiente durante la instalación, reinstalación o reparaciones en el circuito refrigerante.
- Para añadir más refrigerante, utilice un cilindro de gas a presión y cargue el refrigerante en estado líquido. Recuerde que si carga el refrigerante en estado gaseoso, su composición puede alterarse en el interior del cilindro y en la unidad exterior. Si esto ocurriera, la capacidad del ciclo de refrigeración disminuiría e incluso podría ser que el aparato no funcionase. Cargue el líquido refrigerante poco a poco, porque si lo carga de una sola vez puede bloquear el compresor.

Para mantener alta la presión del cilindro de gas, caliente el cilindro de gas con agua caliente (a menos de 40°C) en las estaciones frías. Nunca utilice fuego o vapor.



- |   |   |
|---|---|
| (A) Unidad interior   | (H) Cilindro de gas refrigerante del R32 con sifón    |
| (B) Unión   | (I) Refrigerante (líquido)                            |
| (C) Tubería de líquido  | (J) Balanza electrónica para la carga de refrigerante |
| (D) Tubería de gas  | (K) Manguera de carga (para R32)                      |
| (E) Válvula de retención                                      | (L) Válvula múltiple del manómetro (para R32)         |
| (F) Unidad exterior   | (M) Abertura de servicio                              |
| (G) Válvula de accionamiento del cilindro de gas refrigerante |   |

Fig. 7-1



## 8. Trabajo de las tuberías de agua

### 8.1. Cantidad mínima de agua

Consulte el manual de instalación de la unidad interior.

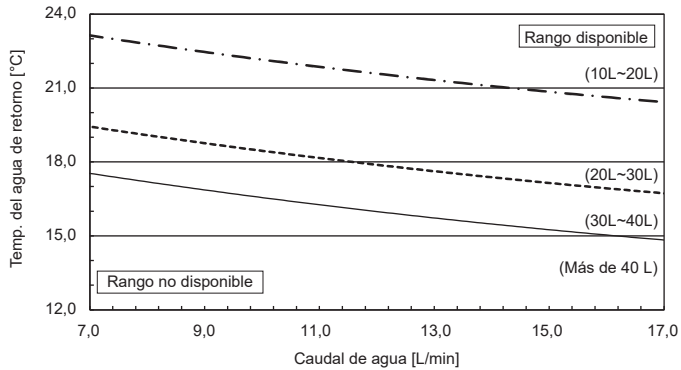
### 8.2. Rango disponible (caudal de agua, temperatura del agua de retorno)

Compruebe que el caudal de agua y el rango de temperatura de retorno en el circuito de agua sean los indicados a continuación. Estas curvas están relacionadas con la cantidad de agua.

#### ■ Calefacción

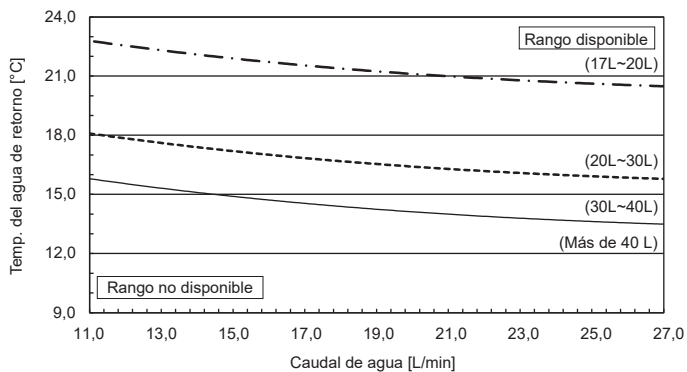
SUZ-SWM30VA SUZ-SHWM30VAH  
SUZ-SWM40VA2 SUZ-SHWM40VAH  
SUZ-SWM60VA2

Mínima temperatura del agua de retorno debido a la cantidad de agua del sistema



SUZ-SWM80VA(H)2  
SUZ-SWM100VA(H)  
SUZ-SHWM60VAH

Mínima temperatura del agua de retorno debido a la cantidad de agua del sistema



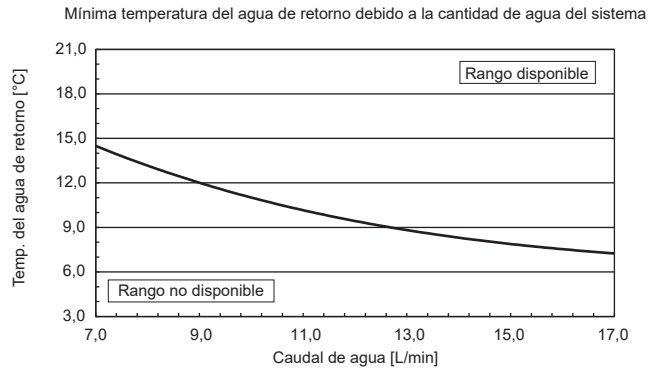
#### Nota:

- Evite siempre el rango no disponible durante la descongelación. En caso contrario, la unidad exterior no se descongela lo suficiente y/o puede congelarse el intercambiador de calor de la unidad interior.
- La temperatura de flujo NO DEBE ser nunca inferior a 32°C cuando la temperatura exterior sea inferior a -15°C. Riesgos potenciales de que el intercambiador de calor de la placa se congele y resulte dañado, y también que el intercambiador de calor exterior se congele debido a una descongelación insuficiente.

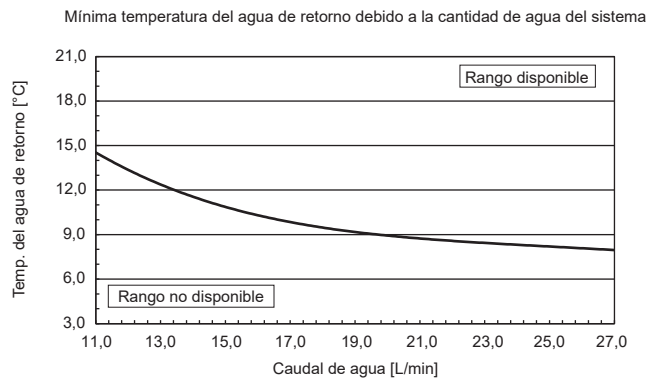
## 8. Trabajo de las tuberías de agua

### ■ Refrigeración

SUZ-SWM30VA    SUZ-SHWM30VAH  
SUZ-SWM40VA2    SUZ-SHWM40VAH  
SUZ-SWM60VA2



SUZ-SWM80VA(H)2  
SUZ-SWM100VA(H)  
SUZ-SHWM60VAH



**Nota:**

Evite siempre el rango no disponible durante la descongelación.

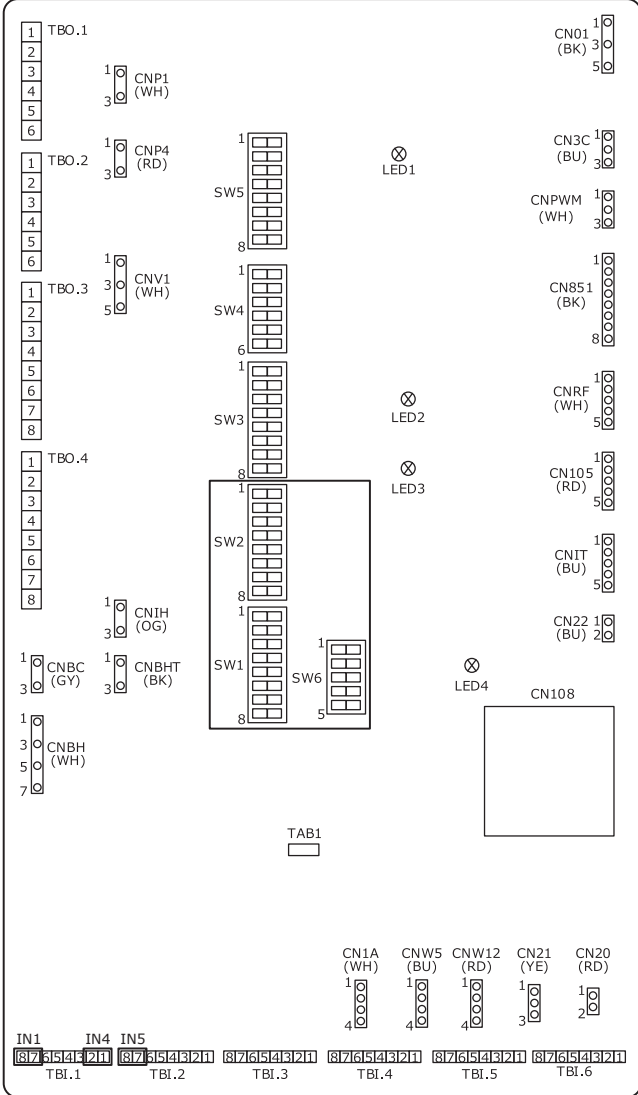
En caso contrario, la unidad exterior no se descongela lo suficiente y/o puede congelarse el intercambiador de calor de la unidad interior.

es

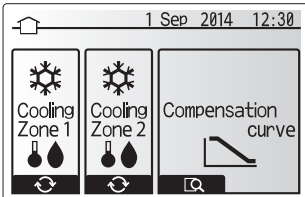
## 9. Bombeo de vaciado

Cuando traslade o se deshaga de la unidad exterior, bombee para vaciar el sistema siguiendo el procedimiento indicado a continuación para que no escape nada de refrigerante a la atmósfera.

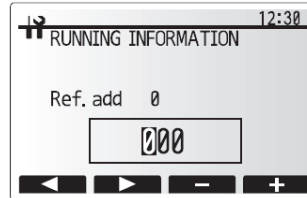
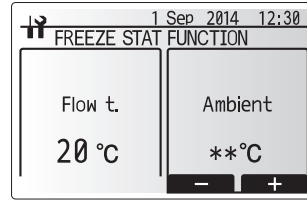
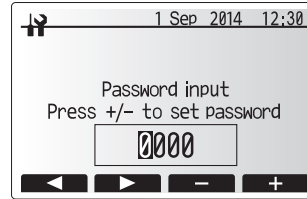
- ① Apague todo el circuito de alimentación (incluida la unidad interior, el calefactor, la unidad exterior, etc.)
- ② Conecte la válvula colectora de manómetro al puerto de servicio de la válvula de retención en el lado de la tubería del gas de la unidad exterior.
- ③ Cierre completamente la válvula de retención en el lado de la tubería de líquido de la unidad exterior.
- ④ Cambie los ajustes de la unidad interior.
  - Establezca el interruptor DIP SW1-3 en OFF, SW2-1 en OFF, SW2-4 en ON y SW6-3 en OFF en el panel de control de la unidad interior.
  - Desconecte las entradas de señal IN1 (entrada 1 de termostato de habitación), IN4 (entrada de control de demanda) e IN5 (entrada de termostato exterior).



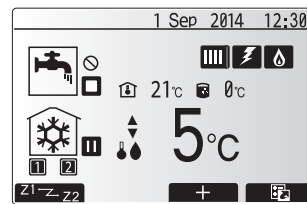
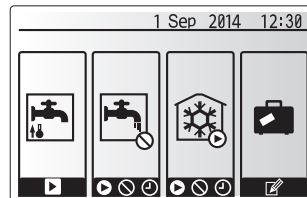
- ⑤ Encienda el circuito de alimentación al completo.
- ⑥ En el menú principal del controlador principal de la unidad interior, seleccione "Heating/cooling mode" (Modo de calefacción/refrigeración) → "Cooling flow temp." (Temperatura de flujo de refrigeración).



- ⑦ En el menú principal, seleccione "Service" (Servicio) y cambie el ajuste de la forma indicada a continuación. Se le pedirá que introduzca una contraseña. LA CONTRASEÑA PREDETERMINADA DE FÁBRICA es "0000".
  - Seleccione "Operation settings" (Ajustes de funcionamiento) → "Freeze stat function" (Función de termostato de congelación) y establezca la temperatura ambiente exterior mínima en \*(asterisco).
  - Seleccione "Running information" (Información de funcionamiento) y, a continuación, ajuste la dirección de referencia a 351.



- ⑧ Lleve a cabo la operación de recuperación del refrigerante.
  - Presione el botón "ON/OFF" del controlador principal.
  - En el menú de opciones, establezca "Cooling ON" (Refrigeración en ON).
  - Establezca la temperatura de flujo de destino en 5 °C. Si el sistema está controlado por un termostato de temperatura de la habitación, establezca la temperatura de destino de la habitación en 10 °C. La operación de recuperación de refrigerante comienza transcurridos 60 segundos.
  - Para obtener más detalles o información adicional acerca de la configuración del controlador principal, consulte el manual de instalación o el manual de instrucciones de la unidad interior.



Continúa en la página siguiente.

## 9. Bombeo de vaciado

- ⑨ Cierre por completo la válvula de retención en el lado de la tubería de gas de la unidad exterior cuando el indicador de presión muestre de 0,05 a 0 MPa [manómetro] (aproximadamente 0,5 a 0 kgf/cm<sup>2</sup>) y detenga rápidamente el funcionamiento de la unidad exterior.
- Presione el botón "ON/OFF" del controlador remoto para detener la unidad exterior.
  - \* Tenga en cuenta que cuando la tubería de extensión es muy larga y contiene una gran cantidad de refrigerante, es posible que no se pueda realizar una operación de bombeo. En ese caso, utilice un equipo de recuperación de refrigerante para recuperar todo el refrigerante del sistema.
- ⑩ Restablezca los ajustes del controlador principal que cambió en el procedimiento ⑧ anterior.
- ⑪ Presione el botón "ON/OFF" durante unos 3 segundos en el controlador principal de la unidad interior para detener el funcionamiento.
- ⑫ Restablezca los ajustes del controlador principal que haya cambiado en otro procedimiento diferente al ⑧.
- \* Cómo restablecer "Running information" (Información de funcionamiento): Establezca la dirección de referencia en 350.
- ⑬ Apague todo el circuito de alimentación y restablezca los ajustes del interruptor DIP en el cuadro de mandos de la unidad interior en los valores anteriores.
- ⑭ Retire la válvula colectora de manómetro y, a continuación, desconecte las tuberías de refrigerante.

### ATENCIÓN:

Cuando el circuito de refrigeración tiene una fuga, **NO** realice el bombeo de vaciado con el compresor.

Al realizar el vaciado del refrigerante, detenga el compresor antes de desconectar las tuberías de refrigerante.

- Si las tuberías de refrigerante se desconectan estando el compresor en funcionamiento y la válvula de retención (válvula de bola) abierta, la presión del ciclo de refrigeración podría aumentar excesivamente si entra aire y hacer que revienten las tuberías o provocar lesiones, etc.

### CUIDADO:

**NO** utilice este modo de REFRIGERACIÓN si conecta una unidad interior que no permite el modo de REFRIGERACIÓN para ninguna otra finalidad que no sea la de bombeo de vaciado.

## 10. Características

Modelo exterior		SUZ-SWM30VA	SUZ-SHWM30VAH	SUZ-SWM40VA2	SUZ-SHWM40VAH	SUZ-SWM60VA2
Alimentación	V / Fase / Hz	230 / Monofásico / 50				
Tamaño (Ancho × Alto × Largo)	mm	800 × 714 × 285				
Nivel de potencia acústica (calefacción)	*1 dB(A)	57	57	57	58	60
	*2 dB(A)	54	54	54	55	56

Modelo exterior		SUZ-SHWM60VAH	SUZ-SWM80VA(H)2	SUZ-SWM100VA(H)
Alimentación	V / Fase / Hz	230 / Monofásico / 50		
Tamaño (Ancho × Alto × Largo)	mm	840 × 880 × 330		
Nivel de potencia acústica (calefacción)	*1 dB(A)	60	60	62
	*2 dB(A)	58	59	60

\*1. Medido con la frecuencia de funcionamiento nominal a una temperatura ambiente de 7 °C DB/6 °C WB y una salida de agua de 55 °C

\*2. Medido con arreglo a la norma EN12102 en las condiciones de la norma EN14825

es

EU DECLARATION OF CONFORMITY  
EU-KONFORMITÄTSEKTLÄRUNG  
DÉCLARATION DE CONFORMITÉ UE  
EU-CONFORMITEITSVERKLARING  
DECLARACIÓN DE CONFORMIDAD UE  
DICHIARAZIONE DI CONFORMITÀ UE  
ΔΗΛΩΣΗ ΣΥΜΜΟΡΦΩΣΗΣ ΕΕ  
DECLARAÇÃO DE CONFORMIDADE UE  
EU-OVERENSSTEMMELSESEKTLÆRING

EG-DEKLARATION OM ÖVERENSSTÄMMELSE  
AV UYGUNLUK BEYAN  
ДЕКЛАРАЦИЯ СООТВЕТСТВИЯ НОРМАМ ЕС  
ДЕКЛАРАЦІЯ ВІДПОВІДНОСТІ ВИМОГАМ ЄС  
ЕС ДЕКЛАРАЦІЯ ЗА СЪОТВЕТСТВИЕ  
DEKLARACJA ZGODNOŚCI UE  
EU-ERKLÆRING OM SAMSVAR  
EU-VAATIMUSTENMUKAISUUSVAKUUTUS  
EU PROHLÁŠENÍ O SHODĚ

EU VYHLÁŠENIE O ZHODE  
EU MEGFELELŐSÉGI NYILATKOZAT  
IZJAVA EU O SKLADNOSTI  
DECLARAȚIE DE CONFORMITATE UE  
EL-I VASTAVUSDEKLARATSIOON  
ES ATBILSTĪBAS DEKLARĀCIJA  
ES ATITIKTIES DEKLARACIJA  
EU IZJAVA O SUKLADNOSTI  
EU IZJAVA O USAGLAŠENOSTI

**MITSUBISHI ELECTRIC CONSUMER PRODUCTS (THAILAND) CO., LTD**  
**700/406 MOO 7, TAMBON DON HUA ROH, AMPHUR MUANG, CHONBURI 20000, THAILAND**

hereby declares under its sole responsibility that the air conditioner(s) and heat pump(s) for use in residential, commercial, and light-industrial environments described below:  
erklärt hiermit auf seine alleinige Verantwortung, dass die Klimaanlage(n) und Wärmepumpe(n) für das häusliche, kommerzielle und leichtindustrielle Umfeld wie unten beschrieben:  
déclare par la présente et sous sa propre responsabilité que le(s) climatiseur(s) et la/les pompe(s) à chaleur destinés à un usage dans des environnements résidentiels, commerciaux et d'industrie légère décrits ci-dessous :  
verklaart hierbij onder eigen verantwoordelijkheid dat de voor huishoudelijke, handels- en lichtindustriële omgevingen bestemde airconditioner(s) en warmtepomp(en) zoals onderstaand beschreven:

por la presente declara, bajo su exclusiva responsabilidad, que el(los) acondicionador(es) de aire y la(s) bomba(s) de calor previsto(s) para su uso en entornos residenciales, comerciales y de industria ligera que se describen a continuación:

conferma con la presente, sotto la sua esclusiva responsabilità, che i condizionatori d'aria e le pompe di calore destinati all'utilizzo in ambienti residenziali, commerciali e semi-industriali e descritti di seguito:

με το παρόν δηλώνει με αποκλειστική ευθύνη ότι το ή τα κλιματιστικά και η ή οι αντλίες θερμότητας για χρήση σε οικιακά, εμπορικά και επαγγελματικά περιβάλλοντα που περιγράφονται παρακάτω:

declara pela presente, e sob sua exclusiva responsabilidade, que o(s) aparelho(s) de ar condicionado e a(s) bomba(s) de calor destinados a utilização em ambientes residenciais, comerciais e de indústria ligeira descritos em seguida:

erklærer hermed under eneansvar, at det/de herunder beskrevne airconditionanlæg og varmepumpe(r) til brug i beboelses- og erhvervs miljøer samt i miljøer med let industri:

intyggar härmed att luftkonditioneringarna och värmepumparna som beskrivs nedan för användning i bostäder, kommersiella miljöer och lätta industriella miljöer:

ev, ticaret ve hafif sanayi ortamlarında kullanıma yönelik aşağıda açıklanan klima ve ısıtma pompalarıyla ilgili aşağıdaki hususları yalnızca kendi sorumluluğunda olmak üzere beyan eder:

настоящим заявляет под свою исключительную ответственность, что кондиционер (-ы) и тепловой (-ые) насос (-ы) для использования в описанных ниже жилых, коммерческих и небольших складских и промышленных помещениях:

цим заявляю, беручи на себе повну відповідальність за це, що кондиціонер (-и) й тепловий (-и) насос (-и), описані нижче й призначені для використання в житлових приміщеннях, торговельних залах і на підприємствах легкої промисловості:

декларира с настоящата на своя собствена отговорност, че климатикъ(т)е и термомпата(ите), посочени по-долу и предназначени за употреба в жилищни, търговски и лекопромишлени среди:

niniejszym oświadczam na swoją wyłączną odpowiedzialność, że klimatyzatory i pompy ciepła do zastosowań w środowisku mieszkalnym, handlowym i lekko przemysłowym opisane poniżej:

erklærer et fullstendig ansvar for undernevnte klimaapparat og varmepumper ved bruk i boliger, samt kommersielle og lettindustrielle miljøer:

vakuuttaa täten yksinomaista vastuutaan, että jäljempänä kuvutat asuinrakennuksiin, pienteeollisuuskäyttöön ja kaupalliseen käyttöön tarkoitettuihin ilmastointilaitteisiin ja lämpöpumpuihin:

tímto na vlastní odpovědnost prohlašuje, že níže popsané klimatizační jednotky a tepelná čerpadla pro použití v obytných prostředích, komerčních prostředích a prostředích lehkého průmyslu:

týmto na svoju výlučnú zodpovednosť vyhlasuje, že nasledovné klimatizačné jednotky a tepelné čerpadlá určené na používanie v obytných a obchodných priestoroch a v prostredí ľahkého priemyslu:

alulírott kizárólagos felelősségére nyilatkozik, hogy az alábbi lakossági, kereskedelmi és kisipari környezetben való használatra szánt klímaberendezés(ek) és hőszivattyú(k):

na lastno odgovornost izjavlja, da so spodaj opisane klimatske naprave in toplotne črpalke, namenjene za uporabo v stanovanjskih, poslovnih in lahkoindustrijskih okoljih:

declară prin prezenta, pe proprie răspundere, faptul că aparatele de climatizare și pompele de căldură descrise mai jos și destinate utilizării în medii rezidențiale, comerciale și din industria ușoară:

kinnitab oma ainuvastutust, et allpool toodud elu-, äri- ja kergtööstuskeskkondades kasutamiseks mõeldud kliimaseadmed ja soojuspumbad:

ar šo, vienpersoniski uzņemoties atbildību, paziņo, ka tālāk aprakstītais(-tie) gaisa kondicionētājs(-i) un siltumsūkņis(-i) ir paredzēti lietošanai dzīvojamajās, komercdarbības un vieglās rūpniecības telpās, kas aprakstītas tālāk:

šiuo vien tik savo atsakomybe pareiškia, kad toliau apibūdintas (-i) oro kondicionierius (-iai) ir šilumos siurblys (-iai), skirtas (-i) naudoti toliau apibūdintose gyvenamosiose, komercinėse ir lengvosios pramonės aplinkose:

ovime izjavljuje pod isključivom odgovornošću da je/su klimatizacijski uređaji(i) i toplinska dizalica(e) opisan(i) u nastavku namijenjen(i) za upotrebu u stambenim i poslovnim okruženjima te okruženjima lake industrije:

ovim izjavljuje na svoju isključivu odgovornost da su klima-uređaji i toplotne pumpe za upotrebu u stambenim, komercijalnim okruženjima i okruženjima lake industrije opisani u nastavku:

**MITSUBISHI ELECTRIC, SUZ-SWM30VA\*, SUZ-SWM40VA\*, SUZ-SWM60VA\*, SUZ-SWM80VA\*, SUZ-SWM100VA\***  
**SUZ-SHWM30VAH\*, SUZ-SHWM40VAH\*, SUZ-SHWM60VAH\*, SUZ-SWM80VAH\*, SUZ-SWM100VAH\***  
**\* : , , 1, 2, 3, , , , 9**

is/are in conformity with provisions of the following Union harmonisation legislation.  
die Bestimmungen der folgenden Harmonisierungsrechtsvorschriften der Union erfüllen/

erfüllen.  
est/sont conforme(s) aux dispositions de la législation d'harmonisation de l'Union

suivante.  
voldoet/voldoen aan bepalingen van de volgende harmonisatiewetgeving van de Unie.

cumple(n) con las disposiciones de la siguiente legislación de armonización de la Unión.

sono in conformità con le disposizioni della seguente normativa dell'Unione sull'armonizzazione.

συμμορφώνονται με τις διατάξεις της ακόλουθης νομοθεσίας εναρμόνισης της Ένωσης.

está/estão em conformidade com as disposições da seguinte legislação de harmonização da União.

er i overensstemmelse med bestemmelse i følgende harmoniserede EU-lovgivning.

uppfyller villkoren i följande harmoniserade föreskrifter inom unionen.

აşağıdaki Avrupa Birliği uyumlaştırma mevzuatının hükümlerine uygundur.

соответствуют положениям следующих законодательных актов Союза о гармонизации.

2014/35/EU: Low Voltage Directive  
2006/42/EC: Machinery Directive  
2014/30/EU: Electromagnetic Compatibility Directive  
2011/65/EU, (EU) 2015/863 and (EU) 2017/2102: RoHS Directive  
2009/125/EC: Energy-related Products Directive and Regulation (EU) No 813/2013

відповідають положенням вказаного далі законодавства Союзу щодо гармонізації.  
е/са в соответствии с разпредбите на следното законодателство на Съюза за

хармонизация.  
są zgodne z przepisami następującego unijnego prawodawstwa harmonizacyjnego.

er i samsvar med forskriftene til følgende EU-lovgivning om harmonisering.

ovat seuraavan unionin yhdenmukaistamislainsäädännön säännösten mukaisia.

jsou v souladu s ustanoveními následujících harmonizačních právních předpisů Unie.

spĺňajú ustanovenia nasledujúcich harmonizovaných noriem EÚ.

megfelel(nek) az Unió alábbi harmonizációs jogszabályi előírásainak.

in skladu z določbami naslednje usklajevalne zakonodaje Unije.

sunt în conformitate cu dispozițiile următoare legislații de armonizare a Uniunii.

vastavad järgmiste Euroopa Liidu ühtlustatud õigusaktide sätetele.

atbilst šādiem ES harmonizētājiem tiesību aktu noteikumiem.

taip pat atitinka kitų toliau išvardytų suderintųjų Sąjungos direktyvų nuostatas.

sukladan(i) odredbama sljedećeg zakonodavstva Unije za sukladnost.

u skladu sa odredbama sledećeg usklađivanja zakonodavstva Unije.

## <ENGLISH>

English is original. The other languages versions are translation of the original.

### ▲ CAUTION

- Refrigerant leakage may cause suffocation. Provide ventilation in accordance with EN378-1.
- Be sure to wrap insulation around the piping. Direct contact with the bare piping may result in burns or frostbite.
- Never put batteries in your mouth for any reason to avoid accidental ingestion.
- Battery ingestion may cause choking and/or poisoning.
- Install the unit on a rigid structure to prevent excessive operation sound or vibration.
- The A-weighted sound pressure level is below 70dB.
- This appliance is intended to be used by expert or trained users in shops, in light industry and on farms, or for commercial use by lay persons.

## <DEUTSCH>

Das Original ist in Englisch. Die anderen Sprachversionen sind vom Original übersetzt.

### ▲ VORSICHT

- Wenn Kältemittel austritt, kann dies zu Ersticken führen. Sorgen Sie in Übereinstimmung mit EN378-1 für Durchlüftung.
- Die Leitungen müssen isoliert werden. Direkter Kontakt mit nicht isolierten Leitungen kann zu Verbrennungen oder Erfrierungen führen.
- Nehmen Sie niemals Batterien in den Mund, um ein versehentliches Verschlucken zu vermeiden.
- Durch das Verschlucken von Batterien kann es zu Erstickungen und/oder Vergiftungen kommen.
- Installieren Sie das Gerät auf einem stabilen Untergrund, um übermäßige Betriebsgeräusche oder -schwingungen zu vermeiden.
- Der A-gewichtete Schalldruckpegel ist niedriger als 70dB.
- Dieses Gerät ist vorgesehen für die Nutzung durch Fachleute oder geschultes Personal in Werkstätten, in der Leichtindustrie und in landwirtschaftlichen Betrieben oder für die kommerzielle Nutzung durch Laien.

## <FRANÇAIS>

L'anglais est l'original. Les versions fournies dans d'autres langues sont des traductions de l'original.

### ▲ PRECAUTION

- Une fuite de réfrigérant peut entraîner une asphyxie. Fournissez une ventilation adéquate en accord avec la norme EN378-1.
- Assurez-vous que la tuyauterie est enveloppée d'isolant. Un contact direct avec la tuyauterie nue peut entraîner des brûlures ou des engelures.
- Ne mettez jamais des piles dans la bouche pour quelque raison que ce soit pour éviter de les avaler par accident.
- Le fait d'ingérer des piles peut entraîner un étouffement et/ou un empoisonnement.
- Installez l'appareil sur une structure rigide pour prévenir un bruit de fonctionnement et une vibration excessifs.
- Le niveau de pression acoustique pondéré est en dessous de 70 dB.
- Cet appareil est conçu pour un utilisateur expert ou les utilisateurs formés en magasin, dans l'industrie légère et dans l'agriculture ou dans le commerce par le profane.

## <NEDERLANDS>

Het Engels is het origineel. De andere taalversies zijn vertalingen van het origineel.

### ▲ VOORZICHTIG

- Het lekken van koelvlloeistof kan verstikking veroorzaken. Zorg voor ventilatie in overeenstemming met EN378-1.
- isoleer de leidingen met isolatiemateriaal. Direct contact met de onbedekte leidingen kan leiden tot brandwonden of bevriezing.
- Stop nooit batterijen in uw mond om inslikking te voorkomen.
- Het inslikken van batterijen kan verstikking of vergiftiging veroorzaken.
- Installeer het apparaat op een stabiele structuur om overmatig lawaai of trillingen te voorkomen.
- Het niveau van de geluidsdruk ligt onder 70 dB(A).
- Dit apparaat is bedoeld voor gebruik door ervaren of opgeleide gebruikers in werkplaatsen, in de lichte industrie en op boerderijen, of voor commercieel gebruik door leken.

## <ESPAÑOL>

El idioma original del documento es el inglés. Las versiones en los demás idiomas son traducciones del original.

### ▲ CUIDADO

- Las pérdidas de refrigerante pueden causar asfisia. Se debe proporcionar la ventilación determinada en EN378-1.
- Asegúrese de colocar el aislante alrededor de las tuberías. El contacto directo con la tubería puede ocasionar quemaduras o congelación.
- Para evitar una ingestión accidental, no coloque las pilas en su boca bajo ningún concepto.
- La ingestión de las pilas puede causar asfisia y/o envenenamiento.
- Coloque la unidad en una estructura rígida para evitar que se produzcan sonidos o vibraciones excesivos debidos a su funcionamiento.
- El nivel de presión acústica ponderado A es inferior a 70 dB.
- Este aparato está destinado a su uso por parte de usuarios expertos o capacitados en talleres, industrias ligeras y granjas, o a su uso comercial por parte de personas no expertas.

## <ITALIANO>

Il testo originale è redatto in lingua Inglese. Le altre versioni linguistiche rappresentano traduzioni dell'originale.

### ▲ ATTENZIONE

- Le perdite di refrigerante possono causare asfissia. Prevedere una ventilazione adeguata in conformità con la norma EN378-1.
- Accertarsi di applicare materiale isolante intorno alle tubature. Il contatto diretto con le tubature non schermate può provocare ustioni o congelamento.
- Non introdurre in nessun caso le batterie in bocca onde evitare ingestioni accidentali.
- L'ingestione delle batterie può provocare soffocamento e/o avvelenamento.
- Installare l'unità su una struttura rigida in modo da evitare rumore o vibrazioni eccessivi durante il funzionamento.
- Il livello di pressione del suono ponderato A è inferiore a 70dB.
- Questa apparecchiatura è destinata all'utilizzo da parte di utenti esperti o addestrati in negozi, industria leggera o fattorie oppure a un uso commerciale da parte di persone non esperte.

## <ΕΛΛΗΝΙΚΑ>

Η γλώσσα του πρωτοτύπου είναι η αγγλική. Οι εκδόσεις άλλων γλωσσών είναι μεταφράσεις του πρωτοτύπου.

### ▲ ΠΡΟΣΟΧΗ

- Η διαρροή του ψυκτικού ενδέχεται να προκαλέσει ασφυξία. Φροντίστε για τον εξερισμό σύμφωνα με το πρότυπο EN378-1.
- Φροντίστε να τυλίξετε με μονωτικό υλικό τη σωλήνωση. Η απευθείας επαφή με τη γυμνή σωλήνωση ενδέχεται να προκαλέσει εγκαύματα ή κρυοπαγήματα.
- Μη βάζετε ποτέ τις μπαταρίες στο στόμα σας για κανένα λόγο ώστε να αποφύγετε την κατά λάθος κατάποσή τους.
- Η κατάποση μπαταριών μπορεί να προκαλέσει πνιγμό ή/και δηλητηρίαση.
- Εγκαταστήστε τη μονάδα σε σταθερή κατασκευή ώστε να αποφύγετε τον έντονο ήχο λειτουργίας ή τους κραδασμούς.
- Η Α-σταθμισμένη στάθμη ηχητικής πίεσης είναι κάτω των 70dB.
- Η Α-σταθμισμένη στάθμη ηχητικής πίεσης είναι κάτω των 70dB.
- Η συσκευή αυτή προορίζεται για χρήση από εμπειρογνώστες ή εκπαιδευμένους χρήστες σε καταστήματα, στην ελαφριά βιομηχανία και σε αγροκτήματα, ή για εμπορική χρήση από άτομα τα οποία δεν είναι ειδήμονες.

## <PORTUGUÊS>

O idioma original é o inglês. As versões em outros idiomas são traduções do idioma original.

### ▲ CUIDADO

- A fuga de refrigerante pode causar asfíxia. Garanta a ventilação em conformidade com a norma EN378-1.
- Certifique-se de que envolve as tubagens com material de isolamento. O contacto directo com tubagens não isoladas pode resultar em queimaduras ou ulcerações provocadas pelo frio.
- Nunca coloque pilhas na boca, por nenhum motivo, para evitar a ingestão accidental.
- A ingestão de uma pilha pode causar obstrução das vias respiratórias e/ou envenenamento.
- Instale a unidade numa estrutura robusta, de forma a evitar ruídos ou vibrações excessivos durante o funcionamento.
- O nível de pressão sonora ponderado A é inferior a 70 dB.
- Este equipamento destina-se a ser utilizado por especialistas ou utilizadores com formação em lojas, na indústria ligeira e em quintas, ou para utilização comercial por leigos.

## <DANSK>

Engels er originalen. De andre sprogversioner er oversættelser af originalen.

### ▲ FORSIGTIG

- Lækage af kølemiddel kan forårsage kvælning. Sørg for udluftning i overensstemmelse med EN378-1.
- Sørg for at pakke rørene ind i isolering. Direkte kontakt med ubeklædte rør kan forårsage forbrændinger eller forfrysninger.
- Batterier må under ingen omstændigheder tages i munden for at forhindre utilsigtet indtagelse.
- Indtagelse af batterier kan forårsage kvælning og/eller forgiftning.
- Installer enheden på en fast struktur for at forhindre for høje driftslyde eller vibrationer.
- Det A-vægtede lydtrykniveau er under 70dB.
- Dette apparat er beregnet til at blive brugt af eksperter eller udlærte brugere i butikker, inden for let industri og på gårde eller til kommerciel anvendelse af lægmænd.

## <SVENSKA>

Engelska är originalspråket. De övriga språkversionerna är översättningar av originalet.

### ▲ FÖRSIKTIGHET

- Köldmedelsläckage kan leda till kvävning. Tillhandahåll ventilation i enlighet med EN378-1.
- Kom ihåg att linda isolering runt rören. Direktkontakt med bara rör kan leda till brännskador eller köldskador.
- Stoppa aldrig batterier i munnen, de kan sväljas av misstag.
- Om ett batteri sväljs kan det leda till kvävning och/eller förgiftning.
- Montera enheten på ett stadigt underlag för att förhindra höga drift ljud och vibrationer.
- Den A-vägdade ljudtrycksnivån är under 70dB.
- Denna apparat är ämnad för användning av experter eller utbildade användare i affärer, inom lätt industri och på lanbruk, eller för kommersiell användning av lekmän.

## <TÜRKÇE>

Aslı İngilizce'dir. Diğer dillerdeki sürümler aslının çevirisidir.

### ▲ DİKKAT

- Soğutucu kaçağı boğulmaya neden olabilir. EN378-1 uyarınca uygun havalandırma sağlayın.
- Borular etrafına yalıtım yapıldığından emin olun. Borulara doğrudan çıplak elle dokunulması yanıklara veya soğuk ısırıklarına neden olabilir.
- Kazara yutmamak için, pilleri kesinlikle hiçbir amaçla ağzınızda tutmayın.
- Pillerin yutulması boğulmaya ve/veya zehirlenmeye yol açabilir.
- Aşırı çalışma seslerini veya titreşimi önlemek için, üniteyi sağlam bir yapı üzerine monte edin.
- A ağırıklı ses gücü seviyesi 70dB'nin altındadır.
- Bu cihaz tıbbiyeleerde, hafif endüstriyel tesislerde ve çiftliklerde uzman veya eğitimli kullanıcılar tarafından kullanılmak üzere veya normal kullanıcılar tarafından ticari kullanım için tasarlanmıştır.

## <РУССКИЙ>

Языком оригинала является английский. Версии на других языках являются переводом оригинала.

### ▲ ОСТОРОЖНО

- Утечка хладагента может стать причиной удушья. Обеспечьте вентиляцию в соответствии с EN378-1.
- Обязательно оберните трубы изоляционным материалом. Непосредственный контакт с неизолированным трубопроводом может привести к ожогам или обморожению.
- Запрещается класть элементы питания в рот по каким бы то ни было причинам во избежание случайного проглатывания.
- Попадание элемента питания в пищеварительную систему может стать причиной удушья и/или отравления.
- Устанавливайте устройство на жесткую структуру во избежание чрезмерного шума или чрезмерной вибрации во время работы.
- Уровень звукового давления по шкале А не превышает 70 дБ.
- Данное устройство предназначено для использования специалистами или обученным персоналом в магазинах, на предприятиях легкой промышленности и фермах или для коммерческого применения неспециалистами.

## <УКРАЇНСЬКА>

Переклад оригіналу. Текст іншими мовами є перекладом оригіналу.

### ▲ ОБЕРЕЖНО

- Виток холодоагенту може призвести до удушся. Необхідно забезпечити вентиляцію відповідно до стандарту EN 378-1.
- Труби необхідно обмотати ізоляційним матеріалом. Прямий контакт із непокритою трубою може привести до опіку або обмороження.
- Забороняється класти елементи живлення в рот із будь-яких причин, оскільки є ризик випадково їх проковтнути.
- Попадання елемента живлення в травну систему може стати причиною задиху та/або отруєння.
- Встановлюйте блок на міцній конструкції, щоб уникнути надмірного рівня звуку роботи або вібрації.
- Рівень амплітудно зваженого акустичного тиску становить нижче 70 дБ.
- Цей прилад призначається для використання спеціалістами або особами, що пройшли відповідне навчання, у кранницях, легкій промисловості та сільськогосподарських підприємствах, а також для комерційного використання неспеціалістами.

## <БЪЛГАРСКИ>

Оригиналът е текстът на английски език. Версиите на други езици са преводи на оригинала.

### ▲ ВНИМАНИЕ

- Изтичането на хладилен агент може да причини задушаване. Осигурете вентилация съобразно с EN378-1.
- Не забравяйте да увиете изолация около тръбите. Директният контакт с оголени тръби може да причини изгаряне или измръзване.
- При никакви обстоятелства не поставяйте батериите в устата си, за да не ги поглънете по невнимание.
- Това може да доведе до задушаване и/или натравяне.
- Монтирайте тялото върху твърда конструкция, за да предотвратите прекомерен шум или вибрации по време на работа.
- А-преглетното ниво на звуково налягане е под 70 dB.
- Този уред е предназначен за използване от експерти или обучени потребители в магазини, в леката промисленост и във ферми, или за търговска употреба от неспециалисти.



Please be sure to put the contact address/telephone number on this manual before handing it to the customer.

**mitsubishi electric corporation**

HEAD OFFICE: TOKYO BUILDING, 2-7-3, MARUNOUCHI, CHIYODA-KU, TOKYO 100-8310, JAPAN



# Air to Water Heat Pump SUZ-SWM·VA(H) series SUZ-SHWM·VAH series

INSTALLATION MANUAL	FOR INSTALLER	English
INSTALLATIONSHANDBUCH	FÜR INSTALLATEURE	Deutsch
MANUEL D'INSTALLATION	POUR L'INSTALLATEUR	Français
INSTALLATIEHANDLEIDING	VOOR DE INSTALLATEUR	Nederlands
MANUAL DE INSTALACIÓN	PARA EL INSTALADOR	Español
MANUALE DI INSTALLAZIONE	PER L'INSTALLATORE	Italiano
ΕΓΧΕΙΡΙΔΙΟ ΟΔΗΓΙΩΝ ΕΓΚΑΤΑΣΤΑΣΗΣ	ΓΙΑ ΑΥΤΟΝ ΠΟΥ ΚΑΝΕΙ ΤΗΝ ΕΓΚΑΤΑΣΤΑΣΗ	Ελληνικά
MANUAL DE INSTALAÇÃO	PARA O INSTALADOR	Português
INSTALLATIONSMANUAL	TIL INSTALLATØREN	Dansk
INSTALLATIONSMANUAL	FÖR INSTALLATÖREN	Svenska
MONTAJ ELKİTABI	MONTÖR İÇİN	Türkçe
РУКОВОДСТВО ПО УСТАНОВКЕ	ДЛЯ УСТАНОВИТЕЛЯ	Русский
ПОСІБНИК З УСТАНОВЛЕННЯ	ДЛЯ СПЕЦІАЛІСТА З МОНТАЖУ	Українська
РЪКОВОДСТВО ЗА МОНТАЖ	ЗА МОНТАЖНИКА	Български
INSTRUKCJA MONTAŻU	DLA INSTALATORA	Polski
INSTALLASJONSHÅNDBOK	FOR MONTØR	Norsk
ASENNUSOPAS	ASENTAJALLE	Suomi
INSTALAČNÍ PŘÍRUČKA	PRO MONTÁŽNÍ PRACOVNÍKY	Čeština
NÁVOD NA INŠTALÁCIU	PRE MONTÉRA	Slovenčina
TELEPÍTÉSI KÉZIKÖNYV	A TELEPÍTŐ RÉSZÉRE	Magyar
NAMESTITVENI PRIROČNIK	ZA MONTERJA	Slovenščina
MANUAL DE INSTALARE	PENTRU INSTALATOR	Română
PAIGALDUSJUHEND	PAIGALDAJALE	Eesti
MONTĀŽAS ROKASGRĀMATA	UZSTĀDĪŠANAS SPECIĀLISTAM	Latviski
MONTAVIMO VADOVAS	SKIRTA MONTUOTOJUI	Lietuviškai
PRIRUČNIK ZA POSTAVLJANJE	ZA INSTALATERA	Hrvatski
UPUTSTVO ZA UGRADNJU	ZA MONTERA	Srpski

1. Misure di sicurezza .....	1	6. Collegamenti elettrici .....	9
2. Scelta del luogo di installazione .....	3	7. Manutenzione .....	10
3. Schema d'installazione .....	5	8. Installazione delle tubazioni dell'acqua .....	11
4. Tubazioni di scarico per l'unità esterna .....	5	9. Pompaggio .....	13
5. Installazione della tubazione del refrigerante .....	6	10. Specifiche .....	14



**Nota:** Questo simbolo è destinato solo ai paesi dell'UE.

Il simbolo è conforme alla direttiva 2012/19/UE, Articolo 14, "Informazioni per utenti" e Allegato IX.

Questo prodotto MITSUBISHI ELECTRIC è stato fabbricato con materiali e componenti di alta qualità, che possono essere riciclati e riutilizzati.

Questo simbolo significa che i prodotti elettrici ed elettronici devono essere smaltiti separatamente dai rifiuti casalinghi alla fine della loro vita di servizio.

Per disfarsi di questo prodotto, portarlo al centro di raccolta/riciclaggio dei rifiuti solidi urbani locale.

Nell'Unione Europea ci sono sistemi di raccolta differenziata per i prodotti elettrici ed elettronici usati.

Aiutateci a conservare l'ambiente in cui viviamo!

## CAUTELA:

- Non scaricare R32 nell'atmosfera.

## 1. Misure di sicurezza

- ▶ Leggere attentamente la sezione "Misure di sicurezza" prima di far funzionare l'unità.
- ▶ Prima di collegare l'equipaggiamento alla rete di alimentazione, contattare o chiedere l'autorizzazione dell'autorità competente.

## AVVERTENZA:

Descrive le precauzioni da prendere per evitare il rischio di lesioni, anche mortali, per l'utente.

## CAUTELA:

Descrive le precauzioni da prendere per evitare il danneggiamento dell'unità.

Terminata l'installazione, spiegare le "Misure di sicurezza", l'uso e la manutenzione dell'unità al cliente conformemente alle informazioni riportate nel manuale d'uso ed eseguire il ciclo di prova per accertare che l'impianto funzioni normalmente. Consegnare il Manuale d'uso ed il Manuale di installazione al cliente, che li dovrà conservare e, in futuro, consegnarli ad eventuali nuovi utenti.

 : Indica la necessità di collegare un componente a massa.





## AVVERTENZA:

Leggere attentamente le etichette attaccate all'unità principale.

 : Indica avvertenze e cautele durante l'utilizzo del refrigerante R32.

it

## SIGNIFICATI DEI SIMBOLI ESPOSTI NELL'UNITÀ INTERNA E/O NELL'UNITÀ ESTERNA

	<b>AVVERTENZA</b> (Rischio di incendio)	Questo marchio è riservato unicamente al refrigerante R32. Il tipo di refrigerante è scritto sulla targhetta dell'unità esterna. Nel caso in cui il tipo di refrigerante sia R32, questa unità utilizza un refrigerante infiammabile. Qualora dovesse fuoriuscire o entrare in contatto con il fuoco o con una fonte di calore, il refrigerante darà origine a gas nocivo e rischio di incendio.
		Prima dell'utilizzo, leggere attentamente le ISTRUZIONI DI FUNZIONAMENTO.
		Prima dell'utilizzo, il personale di assistenza deve leggere le ISTRUZIONI DI FUNZIONAMENTO e il MANUALE DI INSTALLAZIONE.
		È possibile trovare ulteriori informazioni nelle ISTRUZIONI DI FUNZIONAMENTO, nel MANUALE DI INSTALLAZIONE e documenti simili.

## AVVERTENZA:

- L'unità non deve essere montata dall'utente. Chiedere a un distributore o a una società autorizzata di installare e riparare l'unità. Se l'unità è stata installata in modo non corretto, possono verificarsi perdite d'acqua, scosse elettriche o incendi.
- Per le attività di installazione e spostamento, seguire le istruzioni nel Manuale d'installazione e utilizzare gli strumenti e i componenti dei tubi specificamente previsti per il refrigerante R32. L'utilizzo di componenti dei tubi non adatti al refrigerante di tipo R32 e un'installazione scorretta dell'unità possono causare lo scoppio dei tubi, provocando danni e lesioni. Inoltre, si possono verificare perdite di acqua, scosse elettriche o incendi.
- L'unità deve essere montata conformemente alle istruzioni, riducendo al minimo il rischio di possibili danni causati da terremoti, tifoni o forti raffiche di vento. Se installata in maniera scorretta, può cadere e provocare danni e lesioni.
- Installare l'unità in maniera sicura su una struttura in grado di sostenerne il peso. Se montata su una struttura instabile, l'unità potrebbe cadere e provocare danni e lesioni.
- Qualora la pompa di calore aria acqua venga installata in un ambiente piccolo, è necessario prendere i dovuti accorgimenti per evitare che, in caso di perdita di refrigerante, nella stanza si formi una concentrazione di refrigerante superiore ai limiti di sicurezza. Per maggiori informazioni sulle misure adatte ad evitare il superamento dei limiti di concentrazione stabiliti, consultare un rivenditore. Eventuali perdite di refrigerante o il superamento dei limiti di concentrazione possono causare situazioni di pericolo imputabili alla mancanza di ossigeno nella stanza.
- In presenza di perdite di refrigerante durante il funzionamento, aerare la stanza. A contatto con una fiamma, il refrigerante può rilasciare gas tossici.
- Tutti gli interventi elettrici devono essere eseguiti da un tecnico qualificato, rispettando le normative locali e le istruzioni riportate nel presente manuale. Le unità devono essere alimentate da linee elettriche dedicate e con il voltaggio corretto; è inoltre necessario utilizzare appositi interruttori di circuito. Le linee elettriche con una capacità insufficiente o un'attività elettrica non idonee possono provocare scosse elettriche o incendi.
- Per tutti i tubi continui in rame e lega di rame, per collegare i tubi di refrigerazione, utilizzare rame fosforoso C1220. Nel caso di errato collegamento dei tubi, l'unità non sarà messa a terra correttamente, con un conseguente rischio di scossa elettrica.
- Questo apparecchio deve essere utilizzato da utenti esperti o appositamente formati, per negozi, industria leggera e aziende agricole, oppure da persone comuni nell'ambito di un uso commerciale.
- Utilizzare esclusivamente i cablaggi specificati. I collegamenti devono essere fatti in condizioni di sicurezza, senza tensione sui connettori. Inoltre, non giungere mai i cablaggi (se non diversamente indicato nel presente documento). La mancata osservanza di queste istruzioni può essere causa di surriscaldamento o incendio.
- Se il cavo di alimentazione è danneggiato, deve essere sostituito dal fabbricante, dal responsabile addetto all'assistenza o da personale ugualmente qualificato, in modo da scongiurare pericoli.
- L'apparecchio deve essere installato in conformità con gli standard normativi nazionali sul cablaggio.
- Il pannello di copertura della morsettiaria dell'unità esterna deve essere fissato saldamente. Se il pannello di copertura non è montato correttamente e nell'unità penetrano polvere ed umidità, vi è il rischio di scosse elettriche o di incendio.

# 1. Misure di sicurezza

- Durante l'installazione o il trasloco, o quando si sottopone ad assistenza il condizionatore d'aria, utilizzare solo il refrigerante specificato (R32) per ricaricare i tubi del refrigerante. Non mescolarlo con nessun altro tipo di refrigerante e non consentire all'aria di restare all'interno dei tubi. Qualora dell'aria si mescoli con il refrigerante, potrebbe far innalzare in modo anomalo la pressione nel tubo del refrigerante, il che potrebbe provocare un'esplosione o altri pericoli. L'uso di refrigeranti diversi da quello specificato per il sistema provocherà guasti meccanici, malfunzionamenti del sistema o la rottura dell'unità. Nel peggiore dei casi, questo potrebbe impedire seriamente di garantire la messa in sicurezza del prodotto.
- Utilizzare soltanto gli accessori autorizzati dalla Mitsubishi Electric e richiedere a un rivenditore o a un tecnico autorizzato di provvedere all'installazione. Un montaggio non corretto degli accessori può causare perdite di acqua, scosse elettriche o incendi.
- Non apportare modifiche all'unità. Ciò potrebbe dar luogo a incendi, scosse elettriche, lesioni personali o perdite d'acqua.
- L'utente non dovrebbe mai tentare di riparare l'unità o spostarla in un'altra sede. Un montaggio scorretto dell'unità può essere causa di perdite di acqua, scosse elettriche o incendi. Per riparare o spostare la pompa di calore aria acqua, rivolgersi al rivenditore o a un tecnico specializzato.
- Quando il circuito refrigerante presenta una perdita, NON eseguire il pompaggio con il compressore.
- Durante il pompaggio del refrigerante, arrestare il compressore prima di scollegare i tubi del refrigerante. Il compressore potrebbe esplodere se aria ecc. vi penetra all'interno.
- Terminata l'installazione, accertarsi che non vi siano perdite di refrigerante. Eventuali perdite di refrigerante nella stanza a contatto con una fiamma possono causare la formazione di gas tossici.
- Non utilizzare mezzi diversi da quelli consigliati dal produttore per accelerare il processo sbrinamento o per la pulizia.
- Questo apparecchio deve essere conservato in una stanza priva di fonti di accensione in continuo funzionamento (ad esempio: fiamme libere, un apparecchio a gas in funzione o una stufa elettrica in funzione).

- Non forare né bruciare.
- Si tenga presente che i refrigeranti potrebbero essere inodori.
  - ⊙ I tubi devono essere protetti dai danni fisici.
- L'installazione dei tubi deve essere mantenuta al minimo.
- È necessario osservare la conformità con i regolamenti nazionali in materia di gas.
- Mantenere le aperture di ventilazione libere da ostruzioni.
  - ⊙ Non utilizzare una lega di saldatura a bassa temperatura per la brasatura di tubi del refrigerante.
  - ⊙ Durante i lavori di brasatura, assicurarsi di ventilare a sufficienza la stanza. Assicurarsi che non siano presenti materiali pericolosi o infiammabili nelle vicinanze. Quando si effettuano lavori in una stanza chiusa, in un ambiente ristretto o simili, assicurarsi che non vi siano perdite di refrigerante prima di iniziare il lavoro. Se il refrigerante perde e crea accumuli, può incendiarsi o sprigionare gas velenosi.
  - ⊙ Riporre l'apparecchiatura in un'area ben ventilata le cui dimensioni corrispondano alla superficie della stanza, in base a quanto indicato per il funzionamento.
  - ⊙ Tenere apparecchiature a gas, stufe elettriche e altre fonti di fiamme (fonti di accensione) lontano dal luogo in cui vengono effettuate le operazioni di installazione, riparazione e altri interventi alla pompa di calore aria acqua. Se il refrigerante viene a contatto con una fiamma, si potrebbero generare gas velenosi.
  - ⊙ Non fumare durante il lavoro e il trasporto.
  - ⊙ Non aggiungere refrigerante oltre la quantità massima di ogni unità esterna. Se si supera la quantità massima di refrigerante, eventuali perdite possono causare incendi.

## 1.1. Prima dell'installazione

### CAUTELA:

- Non utilizzare l'unità in un ambiente insolito. Se la pompa di calore viene installata in zone esposte a vapore, olio volatile (compreso l'olio per macchine) o gas sulfureo, in zone a elevato contenuto salino, come le località marittime, o in aree in cui rischia di venire ricoperta dalla neve, le sue prestazioni potrebbero risultare notevolmente ridotte e i componenti interni potrebbero danneggiarsi.
- Non installare l'unità dove si possono verificare perdite, produzione, flusso o accumulo di gas. Nel caso di accumulo di gas attorno all'unità, si possono verificare incendi ed esplosioni.

- Durante la fase di riscaldamento, l'unità esterna produce condensa. Provvedere a un apposito sistema di scarico attorno all'unità esterna nel caso questa condensa possa provocare dei danni.
- Qualora l'unità venisse installata in un ospedale o in uffici aperti al pubblico, considerare che essa potrà essere fonte di rumorosità ed interferenze con le apparecchiature elettroniche. Inverter, elettrodomestici, attrezzature mediche ad alta frequenza e apparecchiature di radiocomunicazione possono provocare problemi di funzionamento o guasti alla pompa di calore aria acqua. La pompa di calore aria acqua può inoltre influire sul funzionamento e le prestazioni delle attrezzature mediche, nonché sul funzionamento delle apparecchiature di comunicazione, pregiudicando la qualità di visualizzazione sullo schermo.

## 1.2. Prima dell'installazione (spostamento)

### CAUTELA:

- Durante il trasporto o l'installazione delle unità, prestare estrema attenzione. L'unità pesa oltre 20 kg, quindi per poterla maneggiare sono necessarie due o più persone. Non afferrare l'unità dai nastri di imballaggio. Per estrarre l'unità dalla confezione e per spostarla indossare appositi guanti protettivi, per scongiurare il ferimento dei palmi delle mani o di altre estremità del corpo.
- Smaltire in maniera sicura il materiale di imballaggio. Il materiale di imballaggio, tra cui i chiodi e altre parti in metallo o legno, possono causare ferite da punta o altri tipi di lesione.

- La base e gli elementi di fissaggio dell'unità esterna devono essere sottoposti a controlli periodici, accertando che non siano allentati, fessurati o danneggiati in altro modo. Se non si eliminano questi difetti, l'unità può cadere e causare danni e lesioni.
- Non utilizzare acqua per pulire la pompa di calore aria acqua. Rischio di scossa elettrica.
- Stringere tutti i dadi svasati utilizzando una chiave dinamometrica. Se stretto troppo, il dado svasato dopo un periodo prolungato si può rompere, causando una perdita di refrigerante.

## 1.3. Prima dell'esecuzione degli interventi elettrici

### CAUTELA:

- Accertarsi di aver installato gli interruttori di circuito. In caso contrario, esiste il rischio di scossa elettrica.
- Per le linee di alimentazione utilizzare cavi standard di capacità sufficiente. In caso contrario, rischio di cortocircuito, surriscaldamento o incendio.
- Durante l'installazione delle linee di alimentazione, non mettere i cavi sotto tensione. In presenza di connessioni lente, i cavi possono fuoriuscire e rompersi, causando surriscaldamento o incendio.

- Mettere a terra l'unità. Non collegare il cavo di messa a terra alle linee del gas o dell'acqua, ai parafulmini o alle linee di messa a terra telefoniche. Se non messa a terra correttamente, l'unità può causare scosse elettriche.
- Usare interruttori di circuito (interruttore di guasti a terra, sezionatore (fusibile +B) e interruttore di circuito a corpo sagomato) con la capacità specificata. Una capacità dell'interruttore di circuito superiore a quella specificata può causare guasti o incendi.

## 1. Misure di sicurezza

### 1.4. Prima di iniziare il ciclo di prova

#### ⚠ CAUTELA:

- Azionare l'interruttore principale almeno 12 ore prima di avviare l'impianto. L'avvio dell'impianto immediatamente dopo l'azionamento dell'interruttore principale può danneggiare gravemente le parti interne. Mantenere l'interruttore principale azionato per l'intera stagione operativa.
- Prima di avviare l'impianto, accertarsi che tutti i pannelli, le protezioni ed altri elementi di sicurezza siano installati correttamente. Gli elementi rotanti, caldi o ad alta tensione possono provocare lesioni.
- Non toccare nessun interruttore con le mani umide. Rischio di scossa elettrica.
- Non toccare i tubi del refrigerante a mani nude durante il funzionamento. I tubi del refrigerante possono essere estremamente caldi o freddi, secondo le condizioni del flusso del refrigerante. Il contatto con i tubi può quindi provocare ustioni o congelamento.
- A funzionamento terminato, attendere almeno cinque minuti prima di spegnere l'interruttore principale. Diversamente, si possono verificare perdite di acqua o guasti.

### 1.5. Utilizzo del refrigerante R32 per la pompa di calore aria acqua

#### ⚠ CAUTELA:

- Per tutti i tubi continui in rame e lega di rame, per collegare i tubi di refrigerazione, utilizzare rame fosforoso C1220. Accertarsi che le parti interne dei tubi siano pulite e che non contengano agenti contaminanti dannosi, tra cui composti solfurei, ossidanti, detriti o polvere. Usare tubi dello spessore specificato. (Vedere a 4.1.) Nel caso si intenda riutilizzare i tubi già esistenti con i quali sia stato utilizzato il refrigerante R22, notare quanto segue.
  - Sostituire i dadi svasati presenti e svasare nuovamente le sezioni svasate.
  - Non utilizzare tubi sottili. (Vedere a 4.1.)
- Conservare i tubi da utilizzare durante l'installazione in un ambiente chiuso e mantenere sigillate entrambe le estremità dei tubi fino a poco prima di procedere con la brasatura. (Lasciare le giunzioni a gomito ecc. nella confezione.) La presenza di polvere, detriti o umidità nelle linee dei refrigeranti, può causare il deterioramento dell'olio e guastare il compressore.
- Come olio di refrigerazione da applicare alle sezioni svasate, usare olio eterico, eterico, olio di alchilbenzolo (in quantità limitate). Mescolando l'olio minerale con l'olio di refrigerazione si può provocare un deterioramento dell'olio.
- La manutenzione deve essere effettuata solo in base alle raccomandazioni del produttore.
- Non utilizzare altri refrigeranti diversi dal tipo R32. Utilizzando un refrigerante diverso, il cloro provoca un deterioramento dell'olio.
- Per il refrigerante R32, usare i seguenti strumenti appositi. Con il refrigerante R32 sono richiesti i seguenti strumenti. Per qualsiasi informazione aggiuntiva, contattare il rivenditore più vicino.

Strumenti (per R32)	
Calibro tubo	Utensile di svasatura
Tubo di caricamento	Calibro di regolazione misura
Rilevatore di perdite di gas	Adattatore pompa a vuoto
Chiave dinamometrica	Bilancia elettronica di caricamento refrigerante

- Accertarsi di utilizzare gli strumenti adatti. La presenza di polvere, detriti o umidità nelle linee dei refrigeranti, può causare il deterioramento dell'olio.

it

## 2. Scelta del luogo di installazione

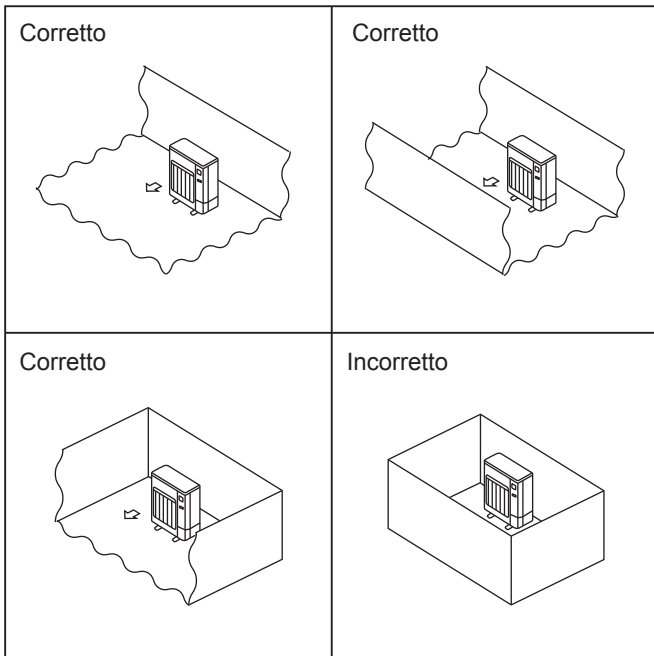


Fig. 2-1

### 2.1. Sezione esterna

- L'R32, come gli altri refrigeranti, è più pesante dell'aria e pertanto tende ad accumularsi alla base (in prossimità del pavimento). Se l'R32 si accumula attorno alla base, può raggiungere una concentrazione infiammabile se l'ambiente è piccolo. Per evitare l'ignizione, è necessario mantenere un ambiente di lavoro sicuro, garantendo una corretta aerazione. Se viene constatata una perdita di refrigerante in un ambiente o un'area in cui l'aerazione è insufficiente, evitare di utilizzare fiamme fino a quando non è possibile migliorare l'ambiente di lavoro garantendo una corretta aerazione.
  - Dove non sia esposta a forte vento.
  - Dove il flusso dell'aria è sufficiente e senza polvere.
  - Quando non causa un flusso d'aria breve.
  - Dove non disturbi i vicini con il rumore o l'aria calda.
  - Dove è disponibile un muro o supporto rigido per limitare il rumore e le vibrazioni.
  - Dove non vi siano rischi di perdite di combustibili o gas.
  - Quando si installa l'unità in posizione elevata, accertarsi di fissare saldamente le gambe dell'unità stessa.
  - Ad almeno 3 m di distanza dall'antenna della TV o della radio. (In caso contrario, potrebbero esservi interferenze nelle immagini o rumore).
  - Installare in un'area non esposta a vento e neve. In zone soggette a forti neviccate, installare una copertura, un piedistallo e/o eventuali pannelli protettivi.
  - Installare orizzontalmente l'unità.
  - Il collegamento dei tubi del refrigerante deve essere accessibile a scopo di manutenzione.
- © Installare unità esterne in un luogo con almeno un lato aperto su quattro e in uno spazio di grandezza sufficiente e privo di depressioni. (Fig. 2-1)

#### ⚠ CAUTELA:

Evitare le seguenti posizioni di installazione che possono causare problemi di funzionamento alla pompa di calore aria acqua.

- Dove possa esservi troppo olio per macchina.
- Ambienti salini come aree marine.
- Aree termali.
- In presenza di solfuri.
- Altre aree con condizioni atmosferiche particolari.

In modalità riscaldamento, l'unità esterna produce condensa. Scegliere un luogo di installazione tale da evitare che l'acqua di scarico penetri nell'unità esterna e/o nel suolo o possa causarvi danni se ghiacciata.

## 2. Scelta del luogo di installazione

### 2.2. Area di installazione minima

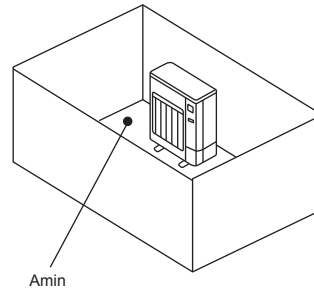
Se un'unità viene inevitabilmente installata in uno spazio in cui tutti e quattro i lati sono bloccati o in presenza di depressioni, verificare che venga soddisfatta una di queste situazioni (A, B o C).

**Nota:** Queste contromisure sono mirate al mantenimento della sicurezza, ma non sono a garanzia delle specifiche.

A) Garantire uno spazio di installazione sufficiente (area minima di installazione  $A_{min}$ ).

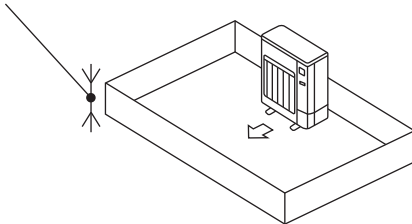
Effettuare l'installazione in uno spazio con un'area di installazione  $A_{min}$  o superiore, corrispondente alla quantità di refrigerante M (refrigerante caricato in fabbrica + refrigerante aggiunto localmente).

M [kg]	$A_{min}$ [m <sup>2</sup> ]
1,0	12
1,5	17
2,0	23
2,5	28
3,0	34
3,5	39
4,0	45
4,5	50
5,0	56
5,5	62
6,0	67
6,5	73
7,0	78
7,5	84

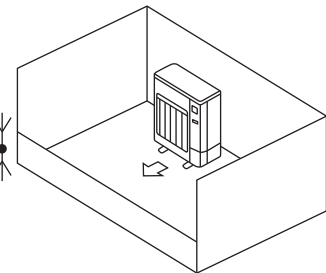


B) Effettuare l'installazione in uno spazio con un'altezza di depressione pari a  $\leq 0,125$  [m].

Altezza dal fondo pari a 0,125 [m] o inferiore



Altezza dal fondo pari a 0,125 [m] o inferiore

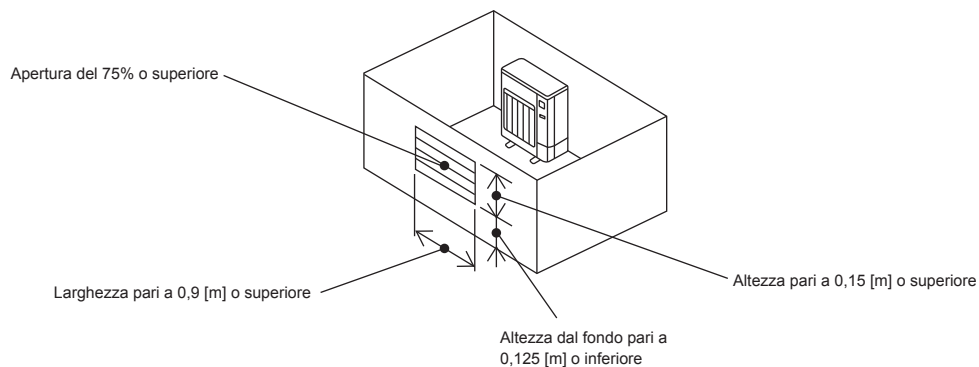


C) Predisporre un'area aperta opportunamente ventilata.

Assicurarsi che la larghezza dell'area aperta sia pari o superiore a 0,9 [m] e che l'altezza dell'area aperta sia pari o superiore a 0,15 [m].

Tuttavia, l'altezza dal fondo dello spazio di installazione al bordo inferiore dell'area aperta deve essere pari a 0,125 [m] o inferiore.

L'area aperta deve essere pari o superiore al 75%.



**Nota:** Per quanto riguarda l'unità interna, non sussistono restrizioni di installazione legate all'uso del refrigerante R32. Fare riferimento al manuale di installazione dell'unità interna e controllare l'area di installazione richiesta.

### 3. Schema d'installazione

#### 3.1. Sezione esterna (Fig. 3-1)

Spazio per la ventilazione e l'assistenza

- Ⓐ 100 mm o più
- Ⓑ 350 mm o più
- Ⓒ 500 mm o più

Se le tubazioni vanno installate su pareti contenenti metalli (lamiera stagnata) o su una rete metallica, interponete un pezzo di legno trattato chimicamente da 20 mm di spessore o più tra la parete e la tubazione, oppure fasciate le tubazioni con 7-8 giri di nastro vinilico isolante.

L'installazione degli apparecchi va affidata a installatori autorizzati in conformità alle norme locali.

■ SUZ-SWM80VA2, SUZ-SWM80VAH2, SUZ-SWM100VA, SUZ-SWM100VAH, SUZ-SHWM60VAH

Nota:

Quando la temperatura esterna è bassa, utilizzare la pompa di calore aria acqua attenendosi alle seguenti istruzioni.

- Non installare mai l'unità esterna con il lato di ingresso/uscita aria direttamente esposto al vento.
- Per evitare l'esposizione al vento, installare l'unità esterna posizionando il lato di ingresso aria di fronte a un muro.
- Per evitare l'esposizione al vento, si consiglia di installare un pannello protettivo sul lato di uscita aria dell'unità esterna.

■ SUZ-SWM30VA, SUZ-SWM40VA2, SUZ-SWM60VA2, SUZ-SHWM30VAH, SUZ-SHWM40VAH

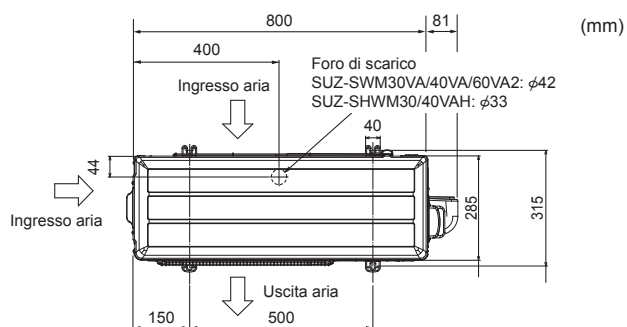
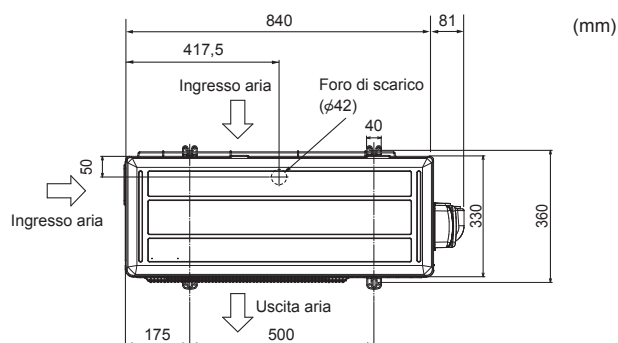
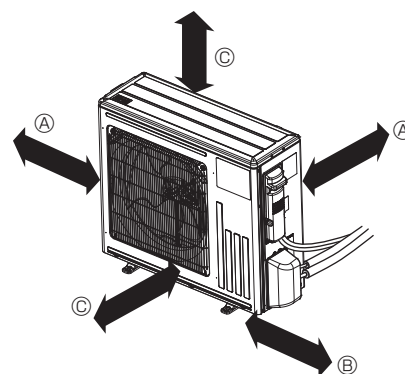
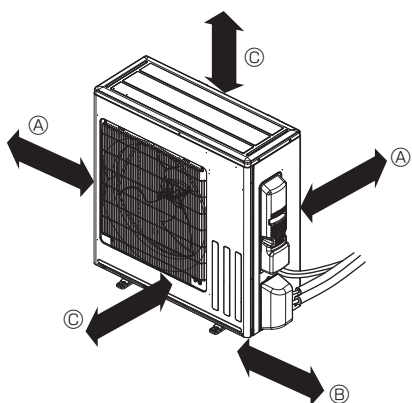


Fig. 3-1

### 4. Tubazioni di scarico per l'unità esterna (Fig. 4-1)

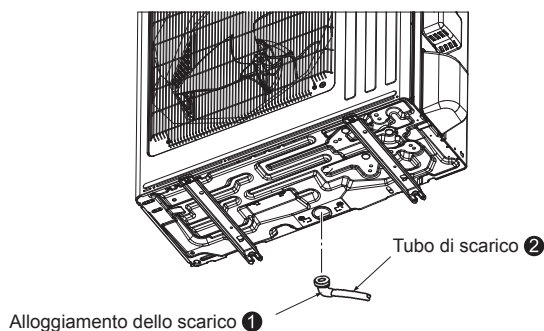


Fig. 4-1

#### 4.1. Accessori

Controllare le parti indicate di seguito prima dell'installazione.

<Unità esterna>

❶	Alloggiamento dello scarico	1
---	-----------------------------	---

- Installare la tubazione di scarico prima di eseguire il collegamento delle tubazioni alle unità interna ed esterna. (Se il collegamento delle tubazioni alle unità interna ed esterna viene effettuato prima dell'installazione della tubazione di scarico ❶ sarà difficile installare l'alloggiamento dello scarico poiché l'unità esterna sarà fissa.)
- Collegare il tubo di scarico ❷ (acquistabile in negozio, diametro interno: 15 mm) come mostrato nella figura.
- La tubazione di scarico deve risultare un po' inclinata per facilitare il flusso dello scarico.

Nota:

Non utilizzare l'alloggiamento dello scarico ❶ in zone fredde. Lo scarico potrebbe gelare e provocare l'arresto della ventola. Nella serie SHWM, la presa di scarico non è inclusa.

## 5. Installazione della tubazione del refrigerante

### 5.1. Tubazione del refrigerante (Fig. 5-1)

► Verificare che il dislivello fra le sezioni interna ed esterna, la lunghezza della tubazione del refrigerante e il numero di pieghe sulla stessa siano entro i limiti indicati nella tabella sottostante.

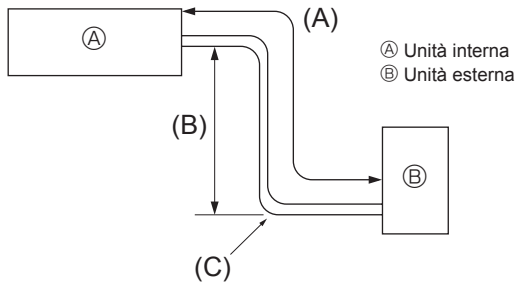
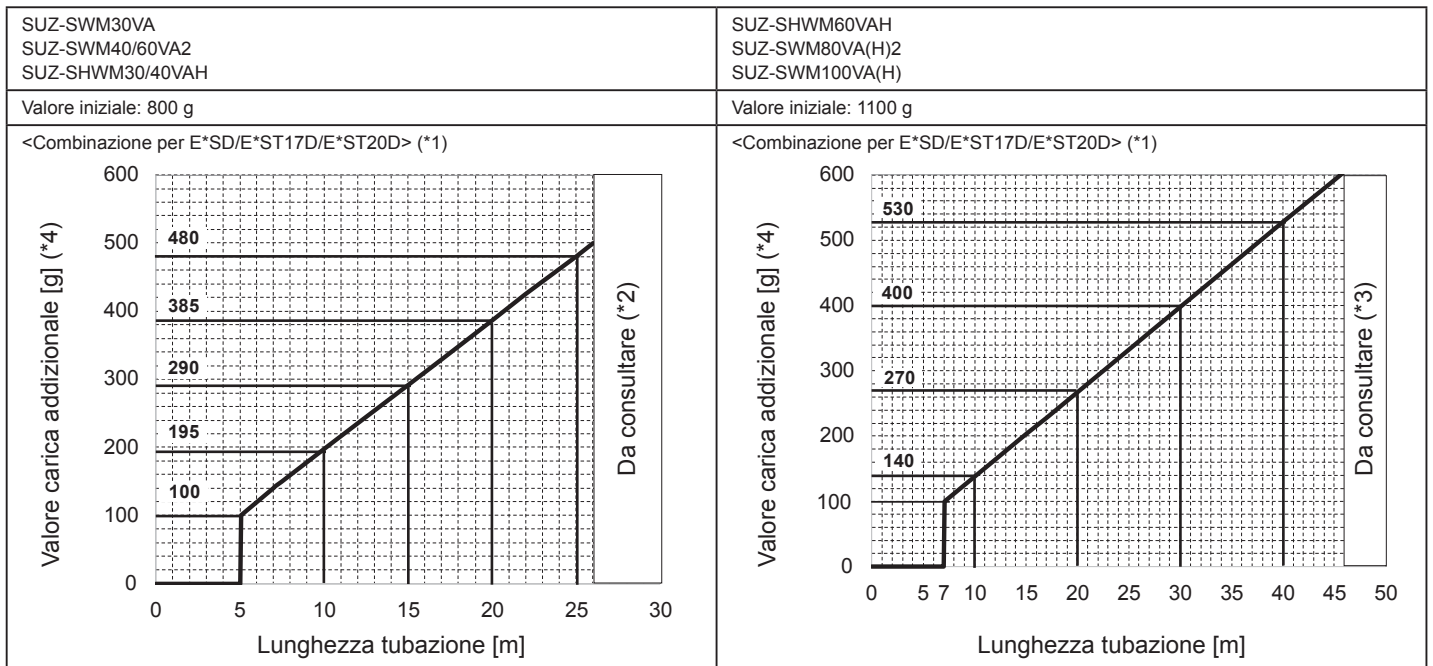


Fig. 5-1

Modelli	(A) Lunghezza tubazione (una direzione)	(B) Dislivello	(C) Numero di pieghe (una direzione)
SUZ-SWM30VA	2 m - 26 m	max. 26 m	max. de 10
SUZ-SHWM30VAH			
SUZ-SWM40VA2			
SUZ-SHWM40VAH			
SUZ-SWM60VA2	2 m - 46 m	max. 30 m	
SUZ-SHWM60VAH			
SUZ-SWM80VA(H)2			
SUZ-SWM100VA(H)			

• Le specifiche del dislivello sono valide per qualsiasi installazione delle sezioni interna ed esterna, indipendentemente da quale unità si trova in posizione più elevata.



\*1. In caso di collegamento a E\*ST30D, aggiungere SEMPRE 50 g alla carica addizionale secondo i grafici.

\*2. Per le tubazioni di lunghezza superiore a 26 m, consultare il nostro specialista.

\*3. Per le tubazioni di lunghezza superiore a 46 m, consultare il nostro specialista.

\*4. In caso di ricarica completa; valore iniziale + valore carica addizionale

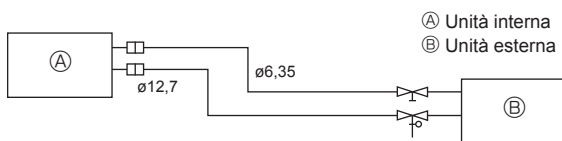


Fig. 5-2

(1) La tabella che segue illustra le specifiche dei tubi normalmente reperibili dal commercio. (Fig. 5-2)

Modello	Tubo	Diametro esterno		Spessore minimo del muro	Spessore isolamento	Materiale isolamento
		mm	pollice			
Tutti i modelli	Per liquido	6,35	1/4	0,8 mm	8 mm	Espanso resistente al calore, peso specifico 0,045
	Per gas	12,7	1/2	0,8 mm	8 mm	

(2) Verificate che i due tubi del refrigerante siano isolati bene per prevenire la formazione di condensa.

(3) Il raggio di curvatura dei tubi del refrigerante deve essere di 100 mm o più.

### CAUTELA:

Applicate con cura il materiale isolante dello spessore specificato. Uno spessore eccessivo occupa troppo spazio dietro all'apparecchio interno, mentre uno spessore scarso provoca sgocciolamenti di condensa.

- Assicurarsi che sia presente un'aerazione idonea per evitare l'ignizione. Inoltre, assicurarsi di implementare misure di prevenzione degli incendi e che non siano presenti oggetti pericolosi o infiammabili nell'area circostante.
- Riempimento di manutenzione con R32: Prima di riempire l'apparecchiatura con l'R32, per far sì che non sussista il rischio di esplosione causato da scintille elettriche, è necessario assicurarsi che l'attrezzatura sia scollegata al 100% dall'alimentazione di rete.
- I materiali isolanti devono soddisfare le seguenti specifiche.

(1) Conduttività termica: 0,040 W/mK o meno

(2) Spessore isolamento: 9 mm o più

(3) Resistenza termica: 110 °C o più

Se la lunghezza del tubo all'esterno è superiore a 15 m, lo spessore isolamento deve essere di 18 mm o più.

## 5. Installazione della tubazione del refrigerante

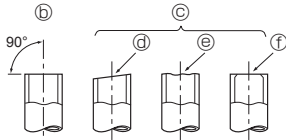
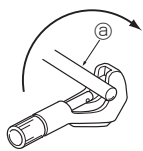


Fig. 5-3

- a) Tubi di rame
- b) Corretto
- c) Non corretto
- d) Obliquo
- e) Irregolare
- f) Con bave

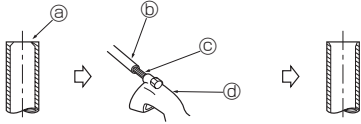


Fig. 5-4

- a) Bave
- b) Tubo/Tubazione di rame
- c) Alesatore
- d) Tagliatubi

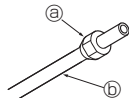


Fig. 5-5

- a) Dado svasato
- b) Tubo di rame

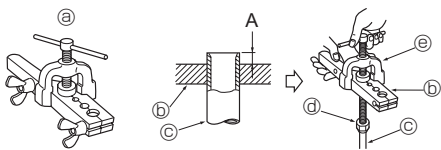


Fig. 5-6

- a) Svasatore
- b) Piastra dello svasatore
- c) Tubo di rame
- d) Dado svasato
- e) Maschio svasatore

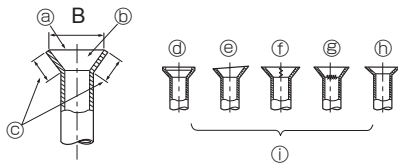


Fig. 5-7

### 5.2. Svasatura

- I difetti nell'esecuzione della svasatura sono la causa principale delle perdite. Eseguite correttamente la svasatura secondo la procedura che segue.

#### 5.2.1. Taglio (Fig. 5-3)

- Tagliate correttamente i tubi di rame con un tagliatubi.

#### 5.2.2. Sbavatura (Fig. 5-4)

- Asportate completamente le bave dalla sezione trasversale di taglio del tubo.
- Mentre eseguite la sbavatura, tenete il tubo di rame con l'estremità rivolta verso il basso, per evitare di fare entrare pezzi di metallo nella tubazione.

#### 5.2.3. Montaggio dei dadi svasati (Fig. 5-5)

- Al termine della sbavatura, togliete i dadi svasati montati sulla sezione interna ed esterna e montateli sui tubi. (non è possibile montarli dopo la svasatura)

#### 5.2.4. Svasatura (Fig. 5-6)

- Eseguire la svasatura con l'apposito utensile come nella figura a sinistra.

Diametro delle tubazioni (mm)	Dimensioni	
	A (mm)	B <sup>+0</sup> <sub>-0,4</sub> (mm)
	Quando viene utilizzato l'attrezzo per l'R32	
	Tipo frizione	
6,35	0 - 0,5	9,1
9,52	0 - 0,5	13,2
12,7	0 - 0,5	16,6
15,88	0 - 0,5	19,7

Bloccate bene il tubo in un foro della piastra dello svasatore delle dimensioni della tabella di cui sopra.

#### 5.2.5. Controllo (Fig. 5-7)

- Confrontare la svasatura con la figura a sinistra.
- Se non è conforme, asportate la parte svasata e ripetete l'operazione.

- a) Superficie liscia tutto intorno
- b) Interno lucido, senza graffi
- c) Altezza uniforme sull'intera circonferenza
- d) Troppo
- e) Inclinato
- f) Graffi sulla superficie svasata
- g) Con incrinature
- h) Irregolare
- i) Esempi di svasatura non corretta

- Applicare una piccola quantità di refrigerante sulla superficie di posa della tubazione. (Fig. 5-8)
- Per eseguire il collegamento, allineare correttamente il centro e quindi stringere il dado svasato per 3 o 4 giri.
- Utilizzare le coppie di serraggio indicate nella tabella in basso per la giunzione sull'unità interna e stringere utilizzando due chiavi. Un serraggio eccessivo può danneggiare la sezione svasata.

D.E. del tubo di rame (mm)	D.E. del dado a cartella (mm)	Coppia di serraggio (N·m)
ø6,35	17	14 - 18
ø9,52	22	34 - 42
ø12,7	26	49 - 61
ø15,88	29	68 - 82

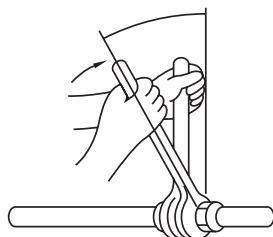


Fig. 5-8

### ! AVVERTENZA:

Installando l'unità, collegare saldamente i tubi del refrigerante prima di azionare il compressore.

### ! AVVERTENZA:

Fare attenzione al dado svasato provvisorio! (pressione interna elevata)

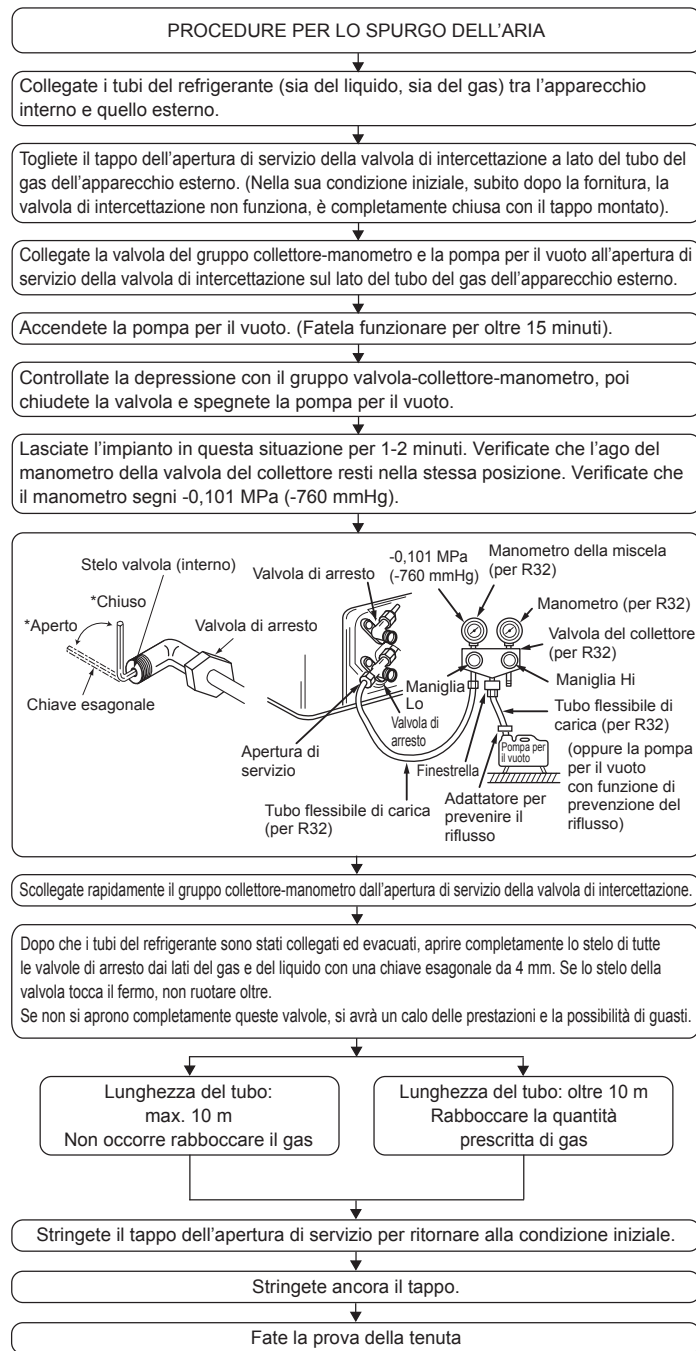
Togliere il dado svasato come segue:

1. Allentare il dado fino a quando non si avverte un sibilo.
2. Non togliere il dado fino a quando il gas non è fuoriuscito del tutto (p.e. non si avverte più il sibilo).
3. Verificare che non vi sia più gas, quindi togliere il dado.



## 5. Installazione della tubazione del refrigerante

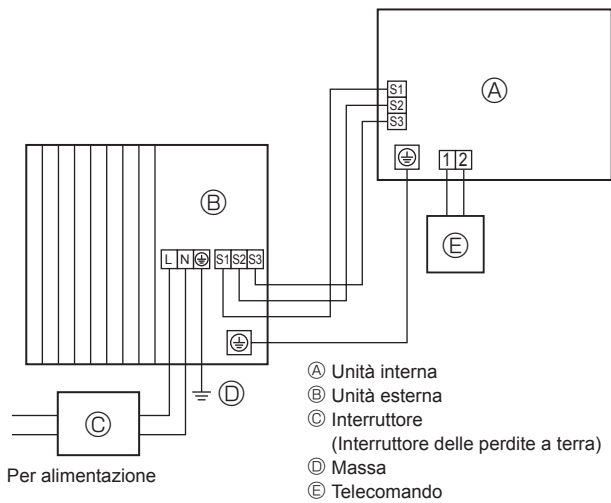
### 5.3. Spurgo dell'aria e verifica della tenuta



## 6. Collegamenti elettrici

### 6.1. Unità esterna (Fig. 6-1, Fig. 6-2, Fig. 6-3)

- ① Rimuovere il pannello di servizio.
  - ② Collegare i cavi facendo riferimento alla Fig. 6-1, Fig. 6-2 e Fig. 6-3.
- SUZ-SHWM60VAH, SUZ-SWM80VA(H)2, SUZ-SWM100VA(H)



■ SUZ-SHWM30/40VAH, SUZ-SWM30VA, SUZ-SWM40/60VA2

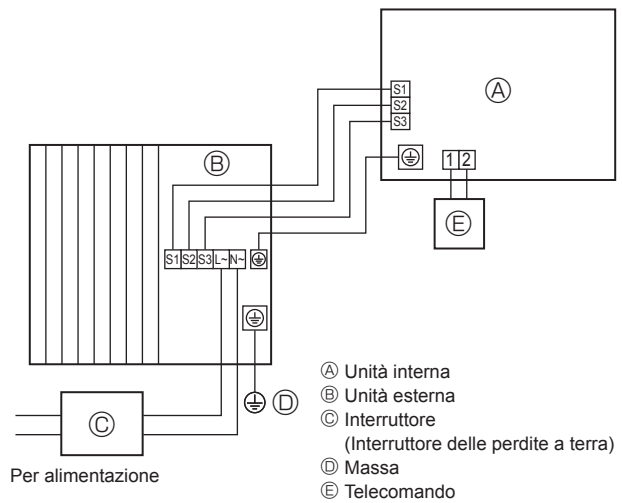


Fig. 6-1

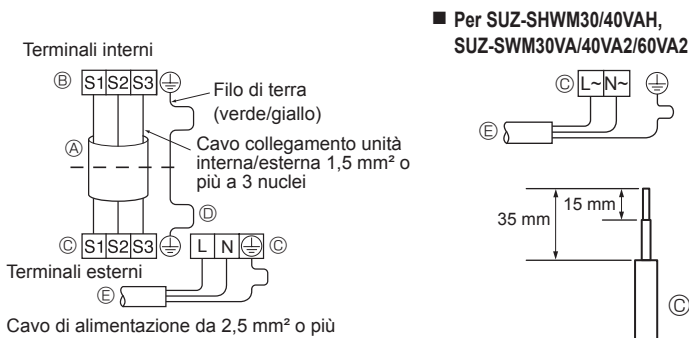
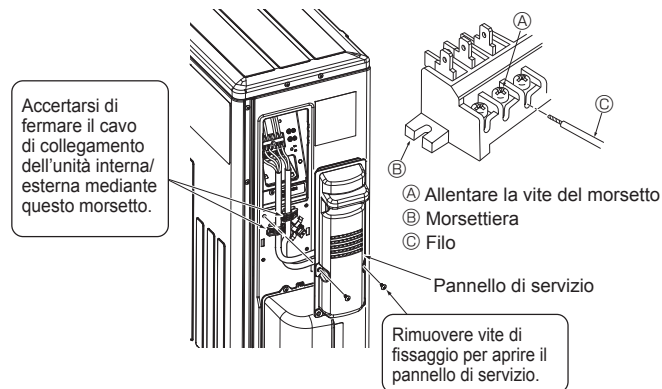


Fig. 6-2

■ SUZ-SWM30VA, SUZ-SWM40VA2, SUZ-SWM60VA2, SUZ-SHWM30VAH, SUZ-SHWM40VAH



■ SUZ-SWM80VA2, SUZ-SWM100VA, SUZ-SWM80VAH2, SUZ-SWM100VAH, SUZ-SHWM60VAH

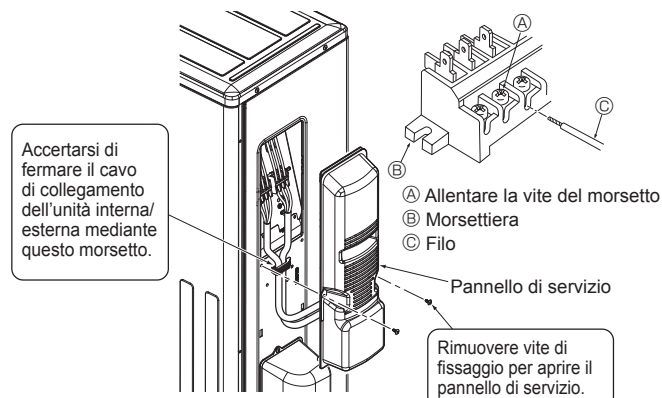


Fig. 6-3

- Eseguire i collegamenti elettrici seguendo lo schema ripreso qui sotto a sinistra. (Procurarsi il cavo localmente) (Fig. 6-2)
- Assicurarsi di usare cavi dalla polarità corretta.

- A Cavo di collegamento
- B Morsettiera interna
- C Morsettiera esterna
- D Installare sempre un filo di terra più lungo degli altri cavi.
- E Cavo di alimentazione
- F Filo

- Il cavo di terra deve essere un po' più lungo degli altri. (Più di 100 mm)
- Lasciare una lunghezza extra ai cavi di collegamento per permettere la manutenzione futura.
- Fissare il cavo e/o il filo alla morsettiera facendo attenzione a fissare tutte le viti.

- Collegare correttamente alla morsettiera il cavo proveniente dalla sezione interna.
- Utilizzare la stessa morsettiera e seguire la stessa polarità dell'unità interna.
- Lasciare il cavo di collegamento un po' più lungo per eventuali lavori di manutenzione.

- Entrambe le estremità del cavo di collegamento (prolunga) sono spelate. Se sono troppo lunghe, o collegate senza il neutro, spelate il cavo di alimentazione corrente rispettando le lunghezze riportate nella figura qui a destra.
- Evitare il contatto tra i cavi di collegamento e i tubi.

### CAUTELA:

- Non invertire i fili.
- Stringete bene le viti dei morsetti per prevenire allentamenti.
- Dopo il serraggio, tirate leggermente i fili per verificare che non si stacchino.

### AVVERTENZA:

- Accertatevi di chiudere bene il pannello di servizio dell'apparecchio esterno. Se non è chiuso bene, potrebbero verificarsi incendi e scosse elettriche dovuti alla polvere, all'acqua ecc.
- Serrare saldamente le viti terminali.
- I cablaggi devono essere eseguiti stando attenti a non tendere troppo i fili di alimentazione, per evitare la generazione di calore o un incendio.

## 6. Collegamenti elettrici

### 6.2. Collegamenti elettrici sul campo

Modello unità esterna	SUZ-SHWM30VAH/40VAH SUZ-SWM30VA/40VA2/60VA2	SUZ-SHWM60VAH SUZ-SWM80VA(H)2/SWM100VA(H)
Alimentazione unità esterna	~N (singolo), 50 Hz, 230 V	~N (singolo), 50 Hz, 230 V
Capacità unità esterna Interruttore principale (Salvavita)	*1 16 A	20 A
Collegamento Filo No. × dimensione (mm <sup>2</sup> )	Alimentazione unità esterna	2 × Min. 2,5
	Messa a terra alimentazione unità esterna	1 × Min. 2,5
	Unità interna-Unità esterna	3 × 1,5 (Polare)
	Unità interna-Messa a terra unità esterna	1 × Min. 1,5
Capacità del circuito	Unità esterna L-N	*2 230 V CA
	Unità interna-Unità esterna S1-S2	*2 230 V CA
	Unità interna-Unità esterna S2-S3	*2 12 VCC – 24 VCC

\*1. Viene fornito un interruttore salvavita con separazione di contatto di almeno 3 mm in ciascun polo. Utilizzare un interruttore delle perdite a terra (NV). Accertarsi che l'interruttore del circuito di dispersione sia compatibile con armoniche più alte.

Utilizzare sempre un interruttore del circuito di dispersione compatibile con armoniche più alte in quanto questa unità è dotata di inverter.

L'uso di un interruttore inadeguato può compromettere il funzionamento dell'inverter.

\*2. Le cifre NON fanno sempre riferimento alla messa a terra.

Il terminale S3 è dotato di 24 V CC rispetto al terminale S2. Tuttavia tra i terminali S3 e S1 NON vi è alcun isolamento elettrico mediante il trasformatore o un altro dispositivo.

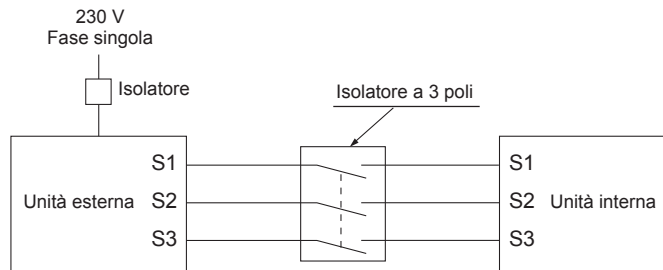
**Nota: 1. Le dimensioni dei cavi devono rispettare le normative locali e nazionali vigenti.**

**2. I cavi di alimentazione e i cavi di collegamento delle unità interna ed esterna non devono essere più leggeri di un cavo flessibile in policloroprene con guaina. (Modello 60245 IEC 57)**

**3. Installare un cavo di messa a terra più lungo degli altri cavi.**

**4. Utilizzare cavi di distribuzione autoestinguenti per il cablaggio di alimentazione.**

**5. Posare il cablaggio prestando attenzione a evitare il contatto con margini taglienti di lamiere o punte di viti.**



### ⚠ AVVERTENZA:

È presente alta tensione sul terminale S3 a causa del tipo di circuito elettrico, poiché non vi è alcun isolamento elettrico tra il cavo di alimentazione e il cavo segnale comunicazioni. Pertanto disattivare l'alimentazione durante gli interventi di manutenzione. Inoltre evitare di toccare i terminali S1, S2 e S3 quando l'alimentazione è sotto tensione. Qualora sia necessario utilizzare un isolatore tra l'unità interna e l'unità esterna, usare un tipo a 3 poli.

Non giuntare mai il cavo dell'alimentazione o il cavo di collegamento interno-esterno, diversamente ciò potrebbe essere causa di fumo, incendio o mancato collegamento.

Assicurarsi di collegare i cavi di collegamento esterni-interni direttamente alle unità (senza collegamenti intermedi).

I collegamenti intermedi possono provocare errori di comunicazione se dell'acqua penetra nei cavi e causare un insufficiente isolamento a terra o uno scarso contatto elettrico nel punto di collegamento intermedio.

## 7. Manutenzione

### 7.1. Carica gas (Fig. 7-1)

- Collegare il cilindro del gas all'apertura di servizio della valvola di arresto (a 3 vie).
- Effettuare lo spurgo dell'aria del tubo (o del flessibile) proveniente dal cilindro del gas refrigerante.
- Rabboccate la quantità specificata di refrigerante facendo funzionare la pompa aria acqua per il raffreddamento.

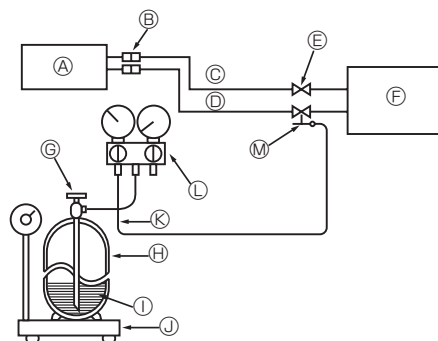
**Nota:**

In caso d'aggiunta di refrigerante, usare la quantità specificata per il ciclo refrigerante.

### ⚠ CAUTELA:

- Non disperdere il refrigerante nell'atmosfera. Fare attenzione a non far uscire il refrigerante nell'atmosfera durante il montaggio, il rimontaggio o la riparazione del circuito refrigerante.
- Per quanto riguarda la carica aggiuntiva, caricare il refrigerante da una bombola di gas allo stato liquido. Se il refrigerante viene caricato allo stato gassoso, si può verificare una modifica della composizione del refrigerante all'interno della bombola e dell'unità esterna. In tal caso, la capacità operativa del ciclo refrigerante diminuisce o può essere impossibile riprendere il funzionamento normale. Tuttavia, se si carica il refrigerante tutto assieme, si può provocare il bloccaggio del compressore. Quindi, caricare lentamente il refrigerante.

Per mantenere una pressione elevata nelle bombole, scaldare le bombole in acqua calda (40°C) durante la stagione fredda. Non usare mai fiamme libere o vapore.



- |  |  |
|--|--|
| (A) Unità interna  | (H) Bombola di gas refrigerante per R32 con sifone     |
| (B) Giunto   | (I) Refrigerante (liquido)                             |
| (C) Tubo liquido   | (J) Bilancia elettronica per la carica di refrigerante |
| (D) Tubo gas   | (K) Tubo di carica (per R32)                           |
| (E) Valvola di arresto                                   | (L) Valvola del raccordo del manometro (per R32)       |
| (F) Unità esterna  | (M) Passaggio di servizio                              |
| (G) Valvola di funzionamento bombola di gas refrigerante |  |

Fig. 7-1

## 8. Installazione delle tubazioni dell'acqua

### 8.1. Quantità minima di acqua

Fare riferimento al manuale di installazione dell'unità interna.

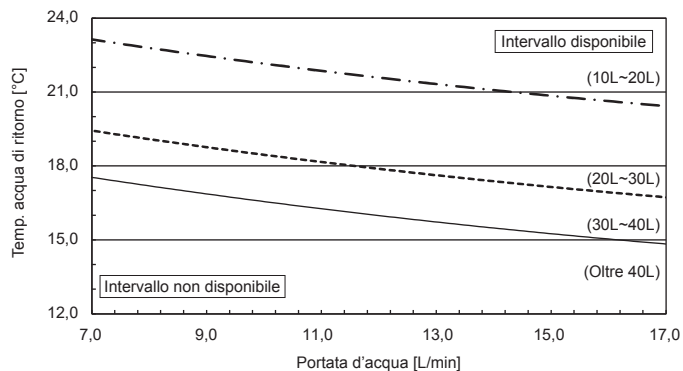
### 8.2. Intervallo disponibile (portata acqua, temp. acqua di ritorno)

Accertarsi che la portata del flusso d'acqua e l'intervallo della temperatura di ritorno nel circuito idrico corrispondano a quanto illustrato di seguito. Queste curve si riferiscono alla quantità di acqua.

#### ■ Riscaldamento

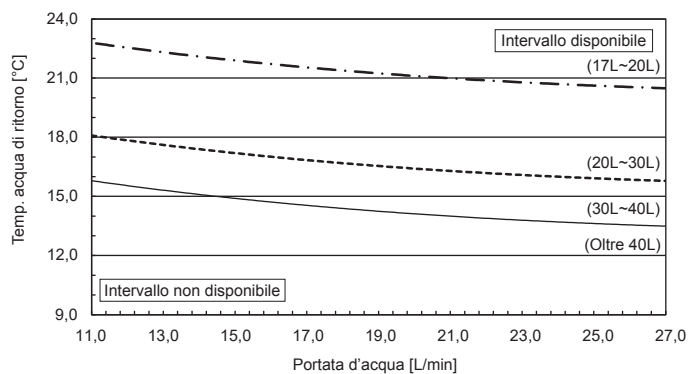
SUZ-SWM30VA SUZ-SHWM30VAH  
SUZ-SWM40VA2 SUZ-SHWM40VAH  
SUZ-SWM60VA2

Temperatura acqua di ritorno minima dovuta alla quantità d'acqua all'interno del sistema



SUZ-SWM80VA(H)2  
SUZ-SWM100VA(H)  
SUZ-SHWM60VAH

Temperatura acqua di ritorno minima dovuta alla quantità d'acqua all'interno del sistema



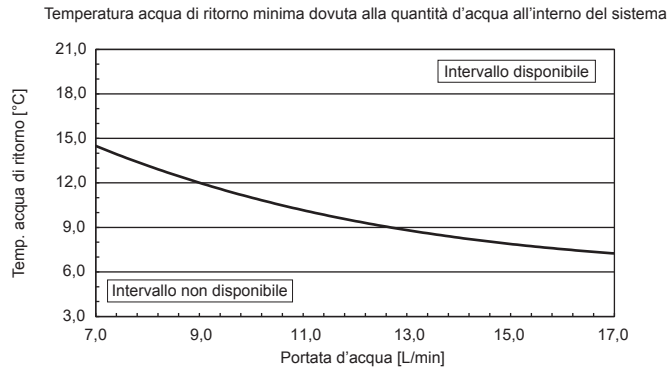
#### Nota:

- Evitare l'intervallo non disponibile durante lo scongelamento del sistema.
- In caso contrario, non sarà possibile scongelare completamente l'unità esterna e/o lo scambiatore di calore dell'unità interna potrebbe congelarsi.
- La temperatura del flusso NON DEVE mai essere inferiore a 32°C quando la temperatura esterna scende al di sotto dei -15°C. La piastra dello scambiatore di calore presenterebbe rischi di congelamento e danni e anche lo scambiatore di calore esterno si congelerebbe a causa di congelamento insufficiente.

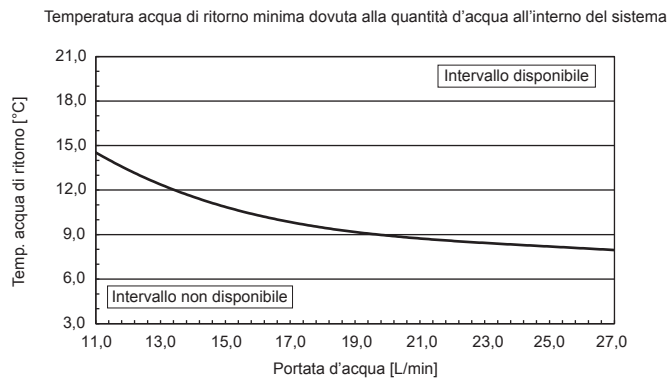
## 8. Installazione delle tubazioni dell'acqua

### ■ Raffreddamento

SUZ-SWM30VA SUZ-SHWM30VAH  
SUZ-SWM40VA2 SUZ-SHWM40VAH  
SUZ-SWM60VA2



SUZ-SWM80VA(H)2  
SUZ-SWM100VA(H)  
SUZ-SHWM60VAH



#### Nota:

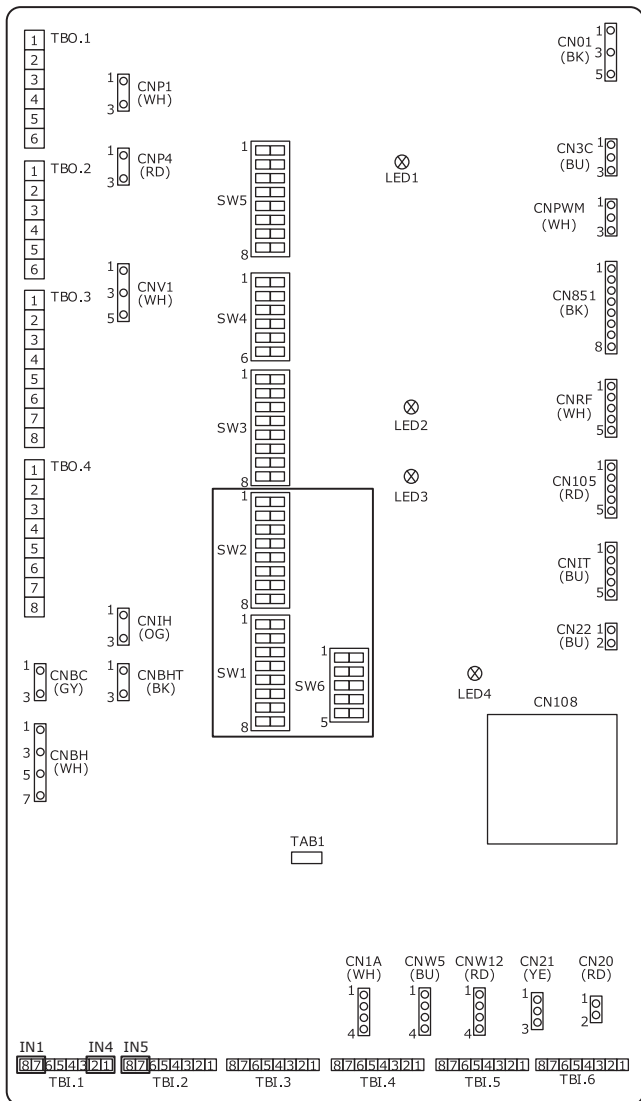
Evitare l'intervallo non disponibile durante lo scongelamento del sistema.

In caso contrario, non sarà possibile scongelare completamente l'unità esterna e/o lo scambiatore di calore dell'unità interna potrebbe congelarsi.

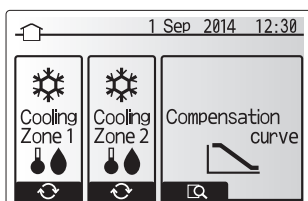
## 9. Pompaggio

Quando si desidera spostare o smaltire l'unità esterna, eseguire il pompaggio del sistema attenendosi alla procedura riportata di seguito, affinché non venga emesso refrigerante nell'atmosfera.

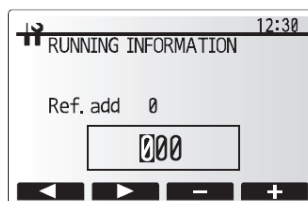
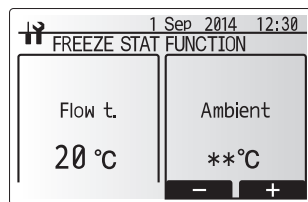
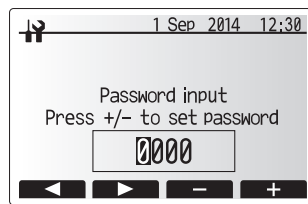
- ① DISATTIVARE l'intero circuito di alimentazione (ivi compresi unità interna, unità esterna, ecc.)
- ② Collegare la valvola del raccordo del manometro all'apertura di servizio della valvola di arresto sul lato del tubo del gas dell'unità esterna.
- ③ Chiudere completamente la valvola di arresto sul lato del tubo del liquido dell'unità esterna.
- ④ Modificare le impostazioni sull'unità interna.
  - Posizionare il DIP switch SW1-3 su OFF, SW2-1 su OFF, SW2-4 su ON e SW6-3 su OFF sulla scheda di controllo dell'unità interna.
  - Staccare gli ingressi dei segnali IN1 (ingresso 1 termostato stanza), IN4 (ingresso controllo domanda) e IN5 (ingresso termostato esterno).



- ⑤ ATTIVARE l'intero circuito di alimentazione.
- ⑥ Dal menu principale del controller principale dell'unità interna, selezionare "Heating/cooling mode" (Modalità riscaldamento/raffreddamento) → "Cooling flow temp." (Temp. flusso raffreddamento).



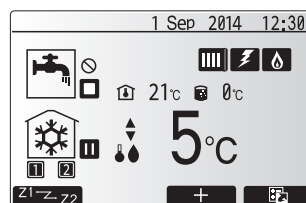
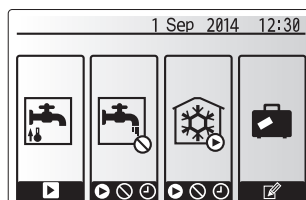
- ⑦ Dal menu principale, selezionare "Service" (Manutenzione) e modificare le impostazioni come sotto indicato. Si sarà invitati ad immettere la password. LA PASSWORD PREDEFINITA IN FABBRICA è "0000".
  - Selezionare "Operation settings" (Impostazioni di funzionamento) → "Freeze stat function" (Funzione stat congelamento), quindi impostare la temperatura esterna minima a \*(asterisco).
  - Selezionare "Running information" (Informazioni di funzionamento), quindi impostare l'indirizzo di Reference a 351.



- ⑧ Eseguire l'operazione di raccolta del refrigerante.
  - Premere il tasto "ON/OFF" sul controller principale.
  - Dal menu delle opzioni, impostare "Cooling ON" (Raffreddamento ATTIVATO).
  - Impostare la temperatura di flusso desiderata su 5 °C. Se il sistema è controllato da un termostato di temperatura ambiente, impostare la temperatura ambiente desiderata a 10 °C.

L'operazione di raccolta del refrigerante inizia dopo 60 secondi.

  - Per ulteriori informazioni sulle impostazioni del controller principale, consultare il manuale d'installazione o il manuale di istruzioni dell'unità interna.



Continua alla pagina successiva.

## 9. Pompaggio

- ⑨ Chiudere completamente la valvola di arresto sul lato del tubo del gas dell'unità esterna quando il manometro indica da 0,05 a 0 MPa [manometro] (da 0,5 a 0 kgf/cm<sup>2</sup> circa) ed arrestarla rapidamente.
- Per arrestare l'unità esterna, premere il tasto "ON/OFF" sul telecomando.
  - \* Tenere presente che quando i tubi di prolunga sono molto lunghi e vi è una grande quantità di refrigerante, può accadere che non si riesca ad eseguire l'operazione di pompaggio. In questo caso, per raccogliere tutto il refrigerante che si trova all'interno del sistema, utilizzare un dispositivo di recupero refrigerante.
- ⑩ Ristabilire l'impostazione del controller principale modificata durante la procedura ⑧ sopra descritta.
- ⑪ Premere per circa 3 secondi il tasto "ON/OFF" del controller principale dell'unità interna per arrestare l'unità.
- ⑫ Ristabilire le impostazioni del controller principale modificate durante qualsiasi altra procedura ad eccezione della procedura ⑧.
- \* Come reimpostare "Running information" (Informazioni di funzionamento): Impostare l'indirizzo di Reference a 350.
- ⑬ DISATTIVARE l'intero circuito di alimentazione e riportare nella posizione in cui si trovavano i DIP switch della scheda a circuiti stampati dell'unità interna.
- ⑭ Rimuovere la valvola del raccordo del manometro, quindi staccare i tubi del refrigerante.



### AVVERTENZA:

Quando il circuito refrigerante presenta una perdita, **NON** eseguire il pompaggio con il compressore.

Quando si esegue il pompaggio del refrigerante, arrestare il compressore prima di scollegare i tubi del refrigerante.

- Se si scollegano i tubi del refrigerante mentre il compressore è in funzione e la valvola di arresto (valvola a sfera) è aperta, durante il ciclo frigorifico la pressione potrebbe giungere ad un livello estremamente alto in caso di aspirazione di aria, con il rischio di scoppio dei tubi e conseguenti lesioni personali, ecc.



### CAUTELA:

**NON** utilizzare questa modalità di RAFFREDDAMENTO durante il collegamento a un'unità interna che non consente l'utilizzo della modalità di RAFFREDDAMENTO per scopi diversi dal pompaggio.

## 10. Specifiche

Modello esterno		SUZ-SWM30VA	SUZ-SHWM30VAH	SUZ-SWM40VA2	SUZ-SHWM40VAH	SUZ-SWM60VA2
Alimentazione	V / fase / Hz	230 / singola / 50				
Dimensioni (L × A × P)	mm	800 × 714 × 285				
Livello acustico (riscaldamento)	*1 dB(A)	57	57	57	58	60
	*2 dB(A)	54	54	54	55	56

Modello esterno		SUZ-SHWM60VAH	SUZ-SWM80VA(H)2	SUZ-SWM100VA(H)
Alimentazione	V / fase / Hz	230 / singola / 50		
Dimensioni (L × A × P)	mm	840 × 880 × 330		
Livello acustico (riscaldamento)	*1 dB(A)	60	60	62
	*2 dB(A)	58	59	60

\*1. Misurato secondo la frequenza di funzionamento nominale alla temperatura ambientale di 7 °C DB/6 °C WB e dell'acqua in uscita di 55 °C

\*2. Misurato secondo la normativa EN12102 alle condizioni della normativa EN14825

EU DECLARATION OF CONFORMITY  
EU-KONFORMITÄTSEKTLÄRUNG  
DÉCLARATION DE CONFORMITÉ UE  
EU-CONFORMITEITSVERKLARING  
DECLARACIÓN DE CONFORMIDAD UE  
DICHIARAZIONE DI CONFORMITÀ UE  
ΔΗΛΩΣΗ ΣΥΜΜΟΡΦΩΣΗΣ ΕΕ  
DECLARAÇÃO DE CONFORMIDADE UE  
EU-OVERENSSTEMMELSESEKTLÆRING

EG-DEKLARATION OM ÖVERENSSTÄMMELSE  
AV UYGUNLUK BEYAN  
ДЕКЛАРАЦИЯ СООТВЕТСТВИЯ НОРМАМ ЕС  
ДЕКЛАРАЦІЯ ВІДПОВІДНОСТІ ВИМОГАМ ЄС  
ЕС ДЕКЛАРАЦІЯ ЗА СЪОТВЕТСТВИЕ  
DEKLARACJA ZGODNOŚCI UE  
EU-ERKLÆRING OM SAMSVAR  
EU-VAATIMUSTENMUKAISUUSVAKUUTUS  
EU PROHLÁŠENÍ O SHODĚ

EÚ VYHLÁŠENIE O ZHODE  
EU MEGFELELŐSÉGI NYILATKOZAT  
IZJAVA EU O SKLADNOSTI  
DECLARAȚIE DE CONFORMITATE UE  
EL-I VASTAVUSDEKLARATSIOON  
ES ATBILSTĪBAS DEKLARĀCIJA  
ES ATITIKTIES DEKLARĀCIJA  
EU IZJAVA O SUKLADNOSTI  
EU IZJAVA O USAGLAŠENOSTI

**MITSUBISHI ELECTRIC CONSUMER PRODUCTS (THAILAND) CO., LTD**  
**700/406 MOO 7, TAMBON DON HUA ROH, AMPHUR MUANG, CHONBURI 20000, THAILAND**

hereby declares under its sole responsibility that the air conditioner(s) and heat pump(s) for use in residential, commercial, and light-industrial environments described below:  
erklärt hiermit auf seine alleinige Verantwortung, dass die Klimaanlage(n) und Wärmepumpe(n) für das häusliche, kommerzielle und leichtindustrielle Umfeld wie unten beschrieben:  
déclare par la présente et sous sa propre responsabilité que le(s) climatiseur(s) et la/les pompe(s) à chaleur destinés à un usage dans des environnements résidentiels, commerciaux et d'industrie légère décrits ci-dessous :  
verklaart hierbij onder eigen verantwoordelijkheid dat de voor huishoudelijke, handels- en lichtindustriële omgevingen bestemde airconditioner(s) en warmtepomp(en) zoals onderstaand beschreven:

por la presente declara, bajo su exclusiva responsabilidad, que el(los) acondicionador(es) de aire y la(s) bomba(s) de calor previsto(s) para su uso en entornos residenciales, comerciales y de industria ligera que se describen a continuación:

conferma con la presente, sotto la sua esclusiva responsabilità, che i condizionatori d'aria e le pompe di calore destinati all'utilizzo in ambienti residenziali, commerciali e semi-industriali e descritti di seguito:

με το παρόν δηλώνει με αποκλειστική ευθύνη ότι το ή τα κλιματιστικά και η ή οι αντλίες θερμότητας για χρήση σε οικιακά, εμπορικά και επαγγελματικά περιβάλλοντα που περιγράφονται παρακάτω:

declara pela presente, e sob sua exclusiva responsabilidade, que o(s) aparelho(s) de ar condicionado e a(s) bomba(s) de calor destinados a utilização em ambientes residenciais, comerciais e de indústria ligeira descritos em seguida:

erklærer hermed under eneansvar, at det/de herunder beskrevne airconditionanlæg og varmepumpe(r) til brug i beboelses- og erhvervs miljøer samt i miljøer med let industri:

intyggar härmed att luftkonditioneringarna och värmepumparna som beskrivs nedan för användning i bostäder, kommersiella miljöer och lätta industriella miljöer:

ev, ticaret ve hafif sanayi ortamlarında kullanıma yönelik aşağıda açıklanan klima ve ısıtma pompalarıyla ilgili aşağıdaki hususları yalnızca kendi sorumluluğunda olmak üzere beyan eder:

настоящим заявляет под свою исключительную ответственность, что кондиционер (-ы) и тепловой (-ые) насос (-ы) для использования в описанных ниже жилых, коммерческих и небольших складских и промышленных помещениях:

цим заявляю, беручи на себе повну відповідальність за це, що кондиціонер (-и) й тепловий (-и) насос (-и), описані нижче й призначені для використання в житлових приміщеннях, торговельних залах і на підприємствах легкої промисловості:

декларира с настоящата на своя собствена отговорност, че климатикъ(т)е и термомпата(ите), посочени по-долу и предназначени за употреба в жилищни, търговски и лекопромишлени среди:

niniejszym oświadczam na swoją wyłączną odpowiedzialność, że klimatyzatory i pompy ciepła do zastosowań w środowisku mieszkalnym, handlowym i lekko przemysłowym opisane poniżej:

erklærer et fullstendig ansvar for undernevnte klimaapparat og varmepumper ved bruk i boliger, samt kommersielle og lettindustrielle miljøer:

vakuuttaa täten yksinomaista vastuutaan, että jäljempänä kuvutat asuinrakennuksiin, pienteeollisuuskäyttöön ja kaupalliseen käyttöön tarkoitettuihin ilmastointilaitteisiin ja lämpöpumput:

tímto na vlastní odpovědnost prohlašuje, že níže popsané klimatizační jednotky a tepelná čerpadla pro použití v obytných prostředích, komerčních prostředích a prostředích lehkého průmyslu:

týmto na svoju výlučnú zodpovednosť vyhlasuje, že nasledovné klimatizačné jednotky a tepelné čerpadlá určené na používanie v obytných a obchodných priestoroch a v prostredí ľahkého priemyslu:

alulírott kizárólagos felelősségére nyilatkozik, hogy az alábbi lakossági, kereskedelmi és kisipari környezetben való használatra szánt klímaberendezés(ek) és hőszivattyú(k):

na lastno odgovornost izjavlja, da so spodaj opisane klimatske naprave in toplotne črpalke, namenjene za uporabo v stanovanjskih, poslovnih in lahkoindustrijskih okoljih:

declară prin prezenta, pe proprie răspundere, faptul că aparatele de climatizare și pompele de căldură descrise mai jos și destinate utilizării în medii rezidențiale, comerciale și din industria ușoară:

kinnitab oma ainuvastutust, et allpool toodud elu-, äri- ja kergtööstuskeskkondades kasutamiseks mõeldud kliimaseadmed ja soojuspumbad:

ar šo, vienpersoniski uzņemoties atbildību, paziņo, ka tālāk aprakstītais(-tie) gaisa kondicionētājs(-i) un siltumsūkņis(-i) ir paredzēti lietošanai dzīvojamajās, komercdarbības un vieglās rūpniecības telpās, kas aprakstītas tālāk:

šiuo vien tik savo atsakomybe pareiškia, kad toliau apibūdintas (-i) oro kondicionierius (-iai) ir šilumos siurblys (-iai), skirtas (-i) naudoti toliau apibūdintose gyvenamosiose, komercinėse ir lengvosios pramonės aplinkose:

ovime izjavljuje pod isključivom odgovornošću da je/su klimatizacijski uređaji(i) i toplinska dizalica(e) opisan(i) u nastavku namijenjen(i) za upotrebu u stambenim i poslovnim okruženjima te okruženjima lake industrije:

ovim izjavljuje na svoju isključivu odgovornost da su klima-uređaji i toplotne pumpe za upotrebu u stambenim, komercijalnim okruženjima i okruženjima lake industrije opisani u nastavku:

**MITSUBISHI ELECTRIC, SUZ-SWM30VA\*, SUZ-SWM40VA\*, SUZ-SWM60VA\*, SUZ-SWM80VA\*, SUZ-SWM100VA\***  
**SUZ-SHWM30VAH\*, SUZ-SHWM40VAH\*, SUZ-SHWM60VAH\*, SUZ-SWM80VAH\*, SUZ-SWM100VAH\***  
**\* : , , 1, 2, 3, , , , 9**

is/are in conformity with provisions of the following Union harmonisation legislation.  
die Bestimmungen der folgenden Harmonisierungsrechtsvorschriften der Union erfüllen/

erfüllen.  
est/sont conforme(s) aux dispositions de la législation d'harmonisation de l'Union

suivante.  
voldoet/voldoen aan bepalingen van de volgende harmonisatiewetgeving van de Unie.

cumple(n) con las disposiciones de la siguiente legislación de armonización de la Unión.

sono in conformità con le disposizioni della seguente normativa dell'Unione sull'armonizzazione.

συμμορφώνονται με τις διατάξεις της ακόλουθης νομοθεσίας εναρμόνισης της Ένωσης.

está/estão em conformidade com as disposições da seguinte legislação de harmonização da União.

er i overensstemmelse med bestemmelse i følgende harmoniserede EU-lovgivning.

uppfyller villkoren i följande harmoniserade föreskrifter inom unionen.

აşağıdaki Avrupa Birliği uyumlaştırma mevzuatının hükümlerine uygundur.

соответствуют положениям следующих законодательных актов Союза о гармонизации.

2014/35/EU: Low Voltage Directive  
2006/42/EC: Machinery Directive  
2014/30/EU: Electromagnetic Compatibility Directive  
2011/65/EU, (EU) 2015/863 and (EU) 2017/2102: RoHS Directive  
2009/125/EC: Energy-related Products Directive and Regulation (EU) No 813/2013

відповідають положенням вказаного далі законодавства Союзу щодо гармонізації.  
е/са в съответствие с разпоредбите на следното законодателство на Съюза за

хармонизация.  
są zgodne z przepisami następującego unijnego prawodawstwa harmonizacyjnego.

er i samsvar med forskriftene til følgende EU-lovgivning om harmonisering.

ovat seuraavan unionin yhdenmukaistamislainsäädännön säännösten mukaisia.

jsou v souladu s ustanoveními následujících harmonizačních právních předpisů Unie.

spĺňajú ustanovenia nasledujúcich harmonizovaných noriem EÚ.

megfelel(nek) az Unió alábbi harmonizációs jogszabályi előírásainak.

in skladu z določbami naslednje usklajevalne zakonodaje Unije.

sunt în conformitate cu dispozițiile următoare legislații de armonizare a Uniunii.

vastavad järgmiste Euroopa Liidu ühtlustatud õigusaktide sätetele.

atbilst šādiem ES harmonizētājiem tiesību aktu noteikumiem.

taip pat atitinka kitų toliau išvardytų suderintųjų Sąjungos direktyvų nuostatas.

sukladan(i) odredbama sljedećeg zakonodavstva Unije za sukladnost.

u skladu sa odredbama sledećeg usklađivanja zakonodavstva Unije.



## <ENGLISH>

English is original. The other languages versions are translation of the original.

### ▲ CAUTION

- Refrigerant leakage may cause suffocation. Provide ventilation in accordance with EN378-1.
- Be sure to wrap insulation around the piping. Direct contact with the bare piping may result in burns or frostbite.
- Never put batteries in your mouth for any reason to avoid accidental ingestion.
- Battery ingestion may cause choking and/or poisoning.
- Install the unit on a rigid structure to prevent excessive operation sound or vibration.
- The A-weighted sound pressure level is below 70dB.
- This appliance is intended to be used by expert or trained users in shops, in light industry and on farms, or for commercial use by lay persons.

## <DEUTSCH>

Das Original ist in Englisch. Die anderen Sprachversionen sind vom Original übersetzt.

### ▲ VORSICHT

- Wenn Kältemittel austritt, kann dies zu Ersticken führen. Sorgen Sie in Übereinstimmung mit EN378-1 für Durchlüftung.
- Die Leitungen müssen isoliert werden. Direkter Kontakt mit nicht isolierten Leitungen kann zu Verbrennungen oder Erfrierungen führen.
- Nehmen Sie niemals Batterien in den Mund, um ein versehentliches Verschlucken zu vermeiden.
- Durch das Verschlucken von Batterien kann es zu Erstickungen und/oder Vergiftungen kommen.
- Installieren Sie das Gerät auf einem stabilen Untergrund, um übermäßige Betriebsgeräusche oder -schwingungen zu vermeiden.
- Der A-gewichtete Schalldruckpegel ist niedriger als 70dB.
- Dieses Gerät ist vorgesehen für die Nutzung durch Fachleute oder geschultes Personal in Werkstätten, in der Leichtindustrie und in landwirtschaftlichen Betrieben oder für die kommerzielle Nutzung durch Laien.

## <FRANÇAIS>

L'anglais est l'original. Les versions fournies dans d'autres langues sont des traductions de l'original.

### ▲ PRECAUTION

- Une fuite de réfrigérant peut entraîner une asphyxie. Fournissez une ventilation adéquate en accord avec la norme EN378-1.
- Assurez-vous que la tuyauterie est enveloppée d'isolant. Un contact direct avec la tuyauterie nue peut entraîner des brûlures ou des engelures.
- Ne mettez jamais des piles dans la bouche pour quelque raison que ce soit pour éviter de les avaler par accident.
- Le fait d'ingérer des piles peut entraîner un étouffement et/ou un empoisonnement.
- Installez l'appareil sur une structure rigide pour prévenir un bruit de fonctionnement et une vibration excessifs.
- Le niveau de pression acoustique pondéré est en dessous de 70 dB.
- Cet appareil est conçu pour un utilisateur expert ou les utilisateurs formés en magasin, dans l'industrie légère et dans l'agriculture ou dans le commerce par le profane.

## <NEDERLANDS>

Het Engels is het origineel. De andere taalversies zijn vertalingen van het origineel.

### ▲ VOORZICHTIG

- Het lekken van koelvloeistof kan verstikking veroorzaken. Zorg voor ventilatie in overeenstemming met EN378-1.
- Isoleer de leidingen met isolatiemateriaal. Direct contact met de onbedekte leidingen kan leiden tot brandwonden of bevriezing.
- Stop nooit batterijen in uw mond om inslikking te voorkomen.
- Het inslikken van batterijen kan verstikking of vergiftiging veroorzaken.
- Installeer het apparaat op een stabiele structuur om overmatig lawaai of trillingen te voorkomen.
- Het niveau van de geluidsdruk ligt onder 70 dB(A).
- Dit apparaat is bedoeld voor gebruik door ervaren of opgeleide gebruikers in werkplaatsen, in de lichte industrie en op boerderijen, of voor commercieel gebruik door leken.

## <ESPAÑOL>

El idioma original del documento es el inglés. Las versiones en los demás idiomas son traducciones del original.

### ▲ CUIDADO

- Las pérdidas de refrigerante pueden causar asfixia. Se debe proporcionar la ventilación determinada en EN378-1.
- Asegúrese de colocar el aislante alrededor de las tuberías. El contacto directo con la tubería puede ocasionar quemaduras o congelación.
- Para evitar una ingestión accidental, no coloque las pilas en su boca bajo ningún concepto.
- La ingestión de las pilas puede causar asfixia y/o envenenamiento.
- Coloque la unidad en una estructura rígida para evitar que se produzcan sonidos o vibraciones excesivos debidos a su funcionamiento.
- El nivel de presión acústica ponderado A es inferior a 70 dB.
- Este aparato está destinado a su uso por parte de usuarios expertos o capacitados en talleres, industrias ligeras y granjas, o a su uso comercial por parte de personas no expertas.

## <ITALIANO>

Il testo originale è redatto in lingua Inglese. Le altre versioni linguistiche rappresentano traduzioni dell'originale.

### ▲ ATTENZIONE

- Le perdite di refrigerante possono causare asfissia. Prevedere una ventilazione adeguata in conformità con la norma EN378-1.
- Accertarsi di applicare materiale isolante intorno alle tubature. Il contatto diretto con le tubature non schermate può provocare ustioni o congelamento.
- Non introdurre in nessun caso le batterie in bocca onde evitare ingestioni accidentali.
- L'ingestione delle batterie può provocare soffocamento e/o avvelenamento.
- Installare l'unità su una struttura rigida in modo da evitare rumore o vibrazioni eccessivi durante il funzionamento.
- Il livello di pressione del suono ponderato A è inferiore a 70dB.
- Questa apparecchiatura è destinata all'utilizzo da parte di utenti esperti o addestrati in negozi, industria leggera o fattorie oppure a un uso commerciale da parte di persone non esperte.

## <ΕΛΛΗΝΙΚΑ>

Η γλώσσα του πρωτοτύπου είναι η αγγλική. Οι εκδόσεις άλλων γλωσσών είναι μεταφράσεις του πρωτοτύπου.

### ▲ ΠΡΟΣΟΧΗ

- Η διαρροή του ψυκτικού ενδέχεται να προκαλέσει ασφυξία. Φροντίστε για τον εξαερισμό σύμφωνα με το πρότυπο EN378-1.
- Φροντίστε να τυλίξετε με μονωτικό υλικό τη σωλήνωση. Η απευθείας επαφή με τη γυμνή σωλήνωση ενδέχεται να προκαλέσει εγκαυμάτα ή κρυοπαγήματα.
- Μη βάζετε ποτέ τις μπαταρίες στο στόμα σας για κανένα λόγο ώστε να αποφύγετε την κατά λάθος κατάποσή τους.
- Η κατάποση μπαταριών μπορεί να προκαλέσει πνιγμό ή/και δηλητηρίαση.
- Εγκαταστήστε τη μονάδα σε σταθερή κατασκευή ώστε να αποφύγετε τον έντονο ήχο λειτουργίας ή τους κραδασμούς.
- Η Α-σταθμισμένη στάθμη ηχητικής πίεσης είναι κάτω των 70dB.
- Η Α-σταθμισμένη στάθμη ηχητικής πίεσης είναι κάτω των 70dB.
- Η συσκευή αυτή προορίζεται για χρήση από εμπειρογούς ή εκπαιδευμένους χρήστες σε καταστήματα, στην ελαφριά βιομηχανία και σε αγροκτήματα, ή για εμπορική χρήση από άτομα τα οποία δεν είναι ειδήμονες.

## <PORTUGUÊS>

O idioma original é o inglês. As versões em outros idiomas são traduções do idioma original.

### ▲ CUIDADO

- A fuga de refrigerante pode causar asfixia. Garanta a ventilação em conformidade com a norma EN378-1.
- Certifique-se de que envolve as tubagens com material de isolamento. O contacto directo com tubagens não isoladas pode resultar em queimaduras ou ulcerações provocadas pelo frio.
- Nunca coloque pilhas na boca, por nenhum motivo, para evitar a ingestão accidental.
- A ingestão de uma pilha pode causar obstrução das vias respiratórias e/ou envenenamento.
- Instale a unidade numa estrutura robusta, de forma a evitar ruídos ou vibrações excessivos durante o funcionamento.
- O nível de pressão sonora ponderado A é inferior a 70 dB.
- Este equipamento destina-se a ser utilizado por especialistas ou utilizadores com formação em lojas, na indústria ligeira e em quintas, ou para utilização comercial por leigos.

## <DANSK>

Engels er originalen. De andre sprogversioner er oversættelser af originalen.

### ▲ FORSIGTIG

- Lækage af kølemiddel kan forårsage kvælning. Sørg for udluftning i overensstemmelse med EN378-1.
- Sørg for at pakke rørene ind i isolering. Direkte kontakt med ubeklædte rør kan forårsage forbrændinger eller forfrysninger.
- Batterier må under ingen omstændigheder tages i munden for at forhindre utilsigtet indtagelse.
- Indtagelse af batterier kan forårsage kvælning og/eller forgiftning.
- Installer enheden på en fast struktur for at forhindre for høje driftslyde eller vibrationer.
- Det A-vægtede lydtrykniveau er under 70dB.
- Dette apparat er beregnet til at blive brugt af eksperter eller udlærte brugere i butikker, inden for let industri og på gårde eller til kommerciel anvendelse af lægmænd.

## <SVENSKA>

Engelska är originalspråket. De övriga språkversionerna är översättningar av originalet.

### ▲ FÖRSIKTIGHET

- Köldmedelsläckage kan leda till kvävning. Tillhandahåll ventilation i enlighet med EN378-1.
- Kom ihåg att linda isolering runt rören. Direktkontakt med bara rör kan leda till brännskador eller köldskador.
- Stoppa aldrig batterier i munnen, de kan sväljas av misstag.
- Om ett batteri sväljs kan det leda till kvävning och/eller förgiftning.
- Montera enheten på ett stadigt underlag för att förhindra höga driftljud och vibrationer.
- Den A-vägdade ljudtrycksnivån är under 70dB.
- Denna apparat är ämnad för användning av experter eller utbildade användare i affärer, inom lätt industri och på lanbruk, eller för kommersiell användning av lekmän.

## <TÜRKÇE>

Aslı İngilizce'dir. Diğer dillerdeki sürümler aslının çevirisidir.

### ▲ DİKKAT

- Soğutucu kaçağı boğulmaya neden olabilir. EN378-1 uyarınca uygun havalandırma sağlayın.
- Borular etrafına yalıtım yapıldığından emin olun. Borulara doğrudan çıplak elle dokunulması yanıklara veya soğuk ısırıklarına neden olabilir.
- Kazara yutmamak için, pilleri kesinlikle hiçbir amaçla ağzınızda tutmayın.
- Pillerin yutulması boğulmaya ve/veya zehirlenmeye yol açabilir.
- Aşırı çalıma seslerini veya titreşimi önlemek için, üniteyi sağlam bir yapı üzerine monte edin.
- A ağırıklı ses gücü seviyesi 70dB'nin altındadır.
- Bu cihaz tıbbiyleerde, hafif endüstriyel tesislerde ve çiftliklerde uzman veya eğitimli kullanıcılar tarafından kullanılmak üzere veya normal kullanıcılar tarafından ticari kullanım için tasarlanmıştır.

## <РУССКИЙ>

Языком оригинала является английский. Версии на других языках являются переводом оригинала.

### ▲ ОСТОРОЖНО

- Утечка хладагента может стать причиной удушья. Обеспечьте вентиляцию в соответствии с EN378-1.
- Обязательно оберните трубы изоляционным материалом. Непосредственный контакт с неизолированным трубопроводом может привести к ожогам или обморожению.
- Запрещается класть элементы питания в рот по каким бы то ни было причинам во избежание случайного проглатывания.
- Попадание элемента питания в пищеварительную систему может стать причиной удушья и/или отравления.
- Устанавливайте устройство на жесткую структуру во избежание чрезмерного шума или чрезмерной вибрации во время работы.
- Уровень звукового давления по шкале A не превышает 70 дБ.
- Данное устройство предназначено для использования специалистами или обученным персоналом в магазинах, на предприятиях легкой промышленности и фермах или для коммерческого применения неспециалистами.

## <УКРАЇНСЬКА>

Переклад оригіналу. Текст іншими мовами є перекладом оригіналу.

### ▲ ОБЕРЕЖНО

- Виток холодоагенту може призвести до удушся. Необхідно забезпечити вентиляцію відповідно до стандарту EN 378-1.
- Труби необхідно обмотати ізоляційним матеріалом. Прямий контакт із непокритою трубою може призвести до опіку або обмороження.
- Забороняється класти елементи живлення в рот із будь-яких причин, оскільки є ризик випадково їх проковтнути.
- Попадання елемента живлення в травну систему може стати причиною задхуки та/або отруєння.
- Встановлюйте блок на міцній конструкції, щоб уникнути надмірного рівня звуку роботи або вібрації.
- Рівень амплітудно зваженого акустичного тиску становить нижче 70 дБ.
- Цей прилад призначається для використання спеціалістами або особами, що пройшли відповідне навчання, у кранницях, легкій промисловості та сільськогосподарських підприємствах, а також для комерційного використання неспеціалістами.

## <БЪЛГАРСКИ>

Оригиналът е текстът на английски език. Версиите на други езици са преводи на оригинала.

### ▲ ВНИМАНИЕ

- Изтичането на хладилен агент може да причини задушаване. Осигурете вентилация съобразно с EN378-1.
- Не забравяйте да уветите изолация около тръбите. Директният контакт с оголени тръби може да причини изгаряне или измръзване.
- При никакви обстоятелства не поставяйте батериите в устата си, за да не ги поглънете по невнимание.
- Това може да доведе до задушаване и/или натравяне.
- Монтирайте тялото върху твърда конструкция, за да предотвратите прекомерен шум или вибрации по време на работа.
- А-претегленото ниво на звуково налягане е под 70 dB.
- Този уред е предназначен за използване от експерти или обучени потребители в магазини, в леката промисленост и във ферми, или за търговска употреба от неспециалисти.



Please be sure to put the contact address/telephone number on this manual before handing it to the customer.

**mitsubishi electric corporation**

HEAD OFFICE: TOKYO BUILDING, 2-7-3, MARUNOUCHI, CHIYODA-KU, TOKYO 100-8310, JAPAN

# Air to Water Heat Pump SUZ-SWM·VA(H) series SUZ-SHWM·VAH series

INSTALLATION MANUAL	FOR INSTALLER	English
INSTALLATIONSHANDBUCH	FÜR INSTALLATEURE	Deutsch
MANUEL D'INSTALLATION	POUR L'INSTALLATEUR	Français
INSTALLATIEHANDLEIDING	VOOR DE INSTALLATEUR	Nederlands
MANUAL DE INSTALACIÓN	PARA EL INSTALADOR	Español
MANUALE DI INSTALLAZIONE	PER L'INSTALLATORE	Italiano
ΕΓΧΕΙΡΙΔΙΟ ΟΔΗΓΙΩΝ ΕΓΚΑΤΑΣΤΑΣΗΣ	ΓΙΑ ΑΥΤΟΝ ΠΟΥ ΚΑΝΕΙ ΤΗΝ ΕΓΚΑΤΑΣΤΑΣΗ	Ελληνικά
MANUAL DE INSTALAÇÃO	PARA O INSTALADOR	Português
INSTALLATIONSMANUAL	TIL INSTALLATØREN	Dansk
INSTALLATIONSMANUAL	FÖR INSTALLATÖREN	Svenska
MONTAJ ELKİTABI	MONTÖR İÇİN	Türkçe
РУКОВОДСТВО ПО УСТАНОВКЕ	ДЛЯ УСТАНОВИТЕЛЯ	Русский
ПОСІБНИК З УСТАНОВЛЕННЯ	ДЛЯ СПЕЦІАЛІСТА З МОНТАЖУ	Українська
РЪКОВОДСТВО ЗА МОНТАЖ	ЗА МОНТАЖНИКА	Български
INSTRUKCJA MONTAŻU	DLA INSTALATORA	Polski
INSTALLASJONSHÅNDBOK	FOR MONTØR	Norsk
ASENNUSOPAS	ASENTAJALLE	Suomi
INSTALAČNÍ PŘÍRUČKA	PRO MONTÁŽNÍ PRACOVNÍKY	Čeština
NÁVOD NA INŠTALÁCIU	PRE MONTÉRA	Slovenčina
TELEPÍTÉSI KÉZIKÖNYV	A TELEPÍTŐ RÉSZÉRE	Magyar
NAMESTITVENI PRIROČNIK	ZA MONTERJA	Slovenščina
MANUAL DE INSTALARE	PENTRU INSTALATOR	Română
PAIGALDUSJUHEND	PAIGALDAJALE	Eesti
MONTĀŽAS ROKASGRĀMATA	UZSTĀDĪŠANAS SPECIĀLISTAM	Latviski
MONTAVIMO VADOVAS	SKIRTA MONTUOTOJUI	Lietuviškai
PRIRUČNIK ZA POSTAVLJANJE	ZA INSTALATERA	Hrvatski
UPUTSTVO ZA UGRADNJU	ZA MONTERA	Srpski

1. Προφυλακτικά Μέτρα Ασφαλείας	1	6. Ηλεκτρικές εργασίες	9
2. Επιλογή της θέσης εγκατάστασης	3	7. Συντήρηση	10
3. Διάγραμμα εγκατάστασης	5	8. Εργασίες σωληνώσεων νερού	11
4. Σωληνώσεις αποστράγγισης για την εξωτερική μονάδα	5	9. Συμπιεστής	13
5. Εργασίες στις σωληνώσεις ψυκτικού	6	10. Προδιαγραφές	14



**Σημείωση:** Το σύμβολο αυτό αφορά μόνο τις χώρες της ΕΕ.

Αποτελεί το σύμβολο σήμανσης της Οδηγίας 2012/19/ΕΕ Άρθρο 14 “Ενημέρωση των χρηστών” και Παράρτημα ΙΧ.

Το προϊόν MITSUBISHI ELECTRIC που διαθέτετε είναι σχεδιασμένο και κατασκευασμένο από υλικά και εξαρτήματα υψηλής ποιότητας, τα οποία μπορούν να ανακυκλωθούν και να χρησιμοποιηθούν ξανά.

Το σύμβολο αυτό σημαίνει ότι ο ηλεκτρολογικός και ηλεκτρικός εξοπλισμός, στο τέλος της διάρκειας ζωής του, θα πρέπει να απορριφτεί ξεχωριστά από τα υπόλοιπα οικιακά απορρίμματα σας.

Παρακαλούμε διαβάστε (εξαλείψτε) τον εξοπλισμό αυτό στον τοπικό σας κοινοτικό κέντρο συλλογής/ανακύκλωσης απορριμμάτων.

Στην Ευρωπαϊκή Ένωση υπάρχουν ξεχωριστά συστήματα συλλογής για τα χρησιμοποιημένα ηλεκτρολογικά και ηλεκτρικά προϊόντα.

Βοηθήστε μας να προστατεύσουμε το περιβάλλον στο οποίο ζούμε!

## ΠΡΟΣΟΧΗ:

- Το R32 δεν πρέπει να διαχέεται στην ατμόσφαιρα.

## 1. Προφυλακτικά Μέτρα Ασφαλείας

- ▶ Πριν κάνετε την εγκατάσταση της μονάδας, βεβαιωθείτε ότι διαβάσατε όλα τα “Προφυλακτικά Μέτρα Ασφαλείας”.
- ▶ Πριν κάνετε τη σύνδεση στο σύστημα, παρακαλούμε να αναφέρετε ή να ζητήσετε επιβεβαίωση από τον αρμόδιο οργανισμό ανεφοδιασμού.

## ΠΡΟΕΙΔΟΠΟΙΗΣΗ:

Περιγράφει τα μέτρα ασφαλείας που πρέπει να λαμβάνονται για την πρόληψη του κινδύνου τραυματισμού ή και θανάτου του χρήστη.

## ΠΡΟΣΟΧΗ:

Περιγράφει προφυλακτικά μέτρα που πρέπει να λαμβάνονται για ν' αποφεύγεται βλάβη στη μονάδα.

Αφού ολοκληρωθούν οι εργασίες για την εγκατάσταση, περιγράψτε στον πελάτη τα “Προφυλακτικά Μέτρα Ασφαλείας”, τη χρήση και τη συντήρηση της μονάδας σύμφωνα με τις πληροφορίες στο Εγχειρίδιο Λειτουργίας και εκτελέστε τη δοκιμαστική λειτουργία για να σιγουρευτείτε ότι η μονάδα λειτουργεί κανονικά. Το Εγχειρίδιο Εγκατάστασης και το Εγχειρίδιο Λειτουργίας πρέπει να δοθούν στο χρήστη για αναφορά. Τα εγχειρίδια αυτά πρέπει να δίνονται και στους επόμενους χρήστες της μονάδας.

⚠ : Δείχνει μέρος της συσκευής που πρέπει να γειώνεται.

## ΠΡΟΕΙΔΟΠΟΙΗΣΗ:

Διαβάστε προσεκτικά τις ετικέτες που είναι κολλημένες πάνω στην κύρια μονάδα.

⚠ : Υποδεικνύει προειδοποιήσεις και επισημαίνονται προσοχής κατά τη χρήση του ψυκτικού R32.

## ΕΡΜΗΝΕΙΑ ΤΩΝ ΣΥΜΒΟΛΩΝ ΠΟΥ ΕΜΦΑΝΙΖΟΝΤΑΙ ΣΤΗΝ ΕΣΩΤΕΡΙΚΉ Ή/ΚΑΙ ΣΤΗΝ ΕΞΩΤΕΡΙΚΉ ΜΟΝΑΔΑ

	<b>ΠΡΟΕΙΔΟΠΟΙΗΣΗ</b> (Κίνδυνος πυρκαγιάς)	Αυτό το σύμβολο αφορά μόνο το ψυκτικό υγρό R32. Ο τύπος του ψυκτικού υγρού αναγράφεται στην πινακίδα της εξωτερικής μονάδας. Σε περίπτωση που ο τύπος του ψυκτικού υγρού είναι R32, αυτή η μονάδα χρησιμοποιεί εύφλεκτο ψυκτικό υγρό. Αν το ψυκτικό υγρό διαρρέει και έρθει σε επαφή με φωτιά ή πηγή θερμότητας, θα δημιουργηθεί επικίνδυνο αέριο και υπάρχει κίνδυνος πρόκλησης πυρκαγιάς.
	Διαβάστε προσεκτικά το ΕΓΧΕΙΡΙΔΙΟ ΛΕΙΤΟΥΡΓΙΑΣ πριν από τη χρήση.	
	Το προσωπικό συντήρησης θα πρέπει να διαβάσει προσεκτικά το ΕΓΧΕΙΡΙΔΙΟ ΛΕΙΤΟΥΡΓΙΑΣ και το ΕΓΧΕΙΡΙΔΙΟ ΕΓΚΑΤΑΣΤΑΣΗΣ πριν από τη χρήση.	
	Περισσότερες πληροφορίες θα βρείτε στο ΕΓΧΕΙΡΙΔΙΟ ΛΕΙΤΟΥΡΓΙΑΣ, στο ΕΓΧΕΙΡΙΔΙΟ ΕΓΚΑΤΑΣΤΑΣΗΣ και στα υπόλοιπα σχετικά έγγραφα.	

## ΠΡΟΕΙΔΟΠΟΙΗΣΗ:

- Η εγκατάσταση της μονάδας δεν πρέπει να γίνεται από τον χρήστη. Η εγκατάσταση και η επισκευή της μονάδας πρέπει να πραγματοποιούνται από τον αντιπρόσωπο ή από εξουσιοδοτημένο τεχνικό. Αν η μονάδα εγκατασταθεί εσφαλμένα, ενδέχεται να σημειωθεί διαρροή νερού, ηλεκτροπληξία ή πυρκαγιά.
- Όταν πραγματοποιείτε εργασίες εγκατάστασης και μετακίνησης σε άλλη θέση, ακολουθήστε τις οδηγίες του Εγχειριδίου εγκατάστασης και χρησιμοποιήστε εργαλεία και εξαρτήματα σωληνώσεων ειδικά κατασκευασμένα για χρήση με το ψυκτικό R32. Αν χρησιμοποιηθούν εξαρτήματα σωλήνων που δεν προορίζονται για χρήση με το ψυκτικό R32 και η εγκατάσταση της μονάδας δεν γίνει σωστά, οι σωλήνες μπορεί να σπάσουν και να προκαλέσουν ζημιές ή τραυματισμούς. Επίσης, μπορεί να προκληθεί διαρροή νερού, ηλεκτροπληξία ή πυρκαγιά.
- Η εγκατάσταση της μονάδας πρέπει να γίνει σύμφωνα με τις οδηγίες προκειμένου να ελαχιστοποιηθεί ο κίνδυνος ζημιών από σεισμούς, τυφώνες ή δυνατούς ανέμους. Όταν η μονάδα δεν είναι σωστά εγκατεστημένη, μπορεί να πέσει και να προκαλέσει ζημιά ή τραυματισμό.
- Η μονάδα πρέπει να εγκατασταθεί και να στερεωθεί καλά σε μια επιφάνεια που μπορεί να αντέξει το βάρος της. Αν η μονάδα τοποθετηθεί σε ασαφή επιφάνεια, μπορεί να πέσει και να προκαλέσει τραυματισμούς.
- Αν η αντλία θερμότητας αέρα-νερού πρόκειται να εγκατασταθεί σε μικρό χώρο, πρέπει να ληφθούν μέτρα προκειμένου να αποτραπεί η συγκέντρωση ψυκτικού στο δωμάτιο επάνω από το όριο ασφαλείας σε περίπτωση που σημειωθεί διαρροή. Συμβουλευτείτε τον αντιπρόσωπο για τα κατάλληλα μέτρα που πρέπει να λάβετε προκειμένου να αποτρέψετε την υπέρβαση των ορίων ασφαλείας όσον αφορά τη συγκέντρωση ψυκτικού. Αν σημειωθεί διαρροή ψυκτικού και υπέρβαση του ορίου συγκέντρωσης, υπάρχει σοβαρός κίνδυνος για την υγεία εξαιτίας της έλλειψης οξυγόνου στο δωμάτιο.
- Αερίστε το χώρο σε περίπτωση διαρροής ψυκτικού κατά τη λειτουργία της μονάδας. Αν το ψυκτικό έρθει σε επαφή με φλόγα, θα απελευθερωθούν δηλητηριώδη αέρια.
- Όλες οι ηλεκτρικές εργασίες πρέπει να εκτελούνται από εκπαιδευμένο τεχνικό και σύμφωνα με τους τοπικούς κανονισμούς και τις οδηγίες που δίνονται σε αυτό το εγχειρίδιο. Τα κλιματιστικά πρέπει να τροφοδοτούνται από ξεχωριστές γραμμές και να χρησιμοποιείται η σωστή τάση καθώς και οι κατάλληλοι ασφαλειοδιακόπτες. Οι γραμμές τροφοδοσίας με ανεπαρκή ισχύ ή οι εσφαλμένες ηλεκτρικές συνδέσεις μπορεί να προκαλέσουν ηλεκτροπληξία ή πυρκαγιά.
- Χρησιμοποιήστε φωσφορούχο κρατέρωμα C1220 για τη σύνδεση των σωληνώσεων ψυκτικού, όταν έχετε χαλκοσωλήνες και σωλήνες κράματος χαλκού χωρίς ενώσεις. Αν η σύνδεση των σωληνώσεων δεν γίνει σωστά, η μονάδα δεν θα είναι κατάλληλα γειωμένη και μπορεί να προκληθεί ηλεκτροπληξία.
- Η παρούσα συσκευή προορίζεται για χρήση από εξειδικευμένους ή εκπαιδευμένους χρήστες σε καταστήματα, στην ελαφρά βιομηχανία και σε φάρμες ή για εμπορική χρήση από μη εξειδικευμένους χρήστες.
- Χρησιμοποιείτε μόνο τα συνιστώμενα καλώδια για την καλωδίωση. Οι συνδέσεις της καλωδίωσης πρέπει να γίνονται σωστά χωρίς να ασκείται πίεση στις συνδέσεις των τερματικών. Επίσης, ποτέ μη συγκολλήσετε τα καλώδια για την καλωδίωση (εκτός αν αναφέρεται διαφορετικά σε αυτό το έγγραφο). Σε περίπτωση που δεν ακολουθήσετε αυτές τις οδηγίες μπορεί να προκληθεί υπερθέρμανση ή πυρκαγιά.
- Εάν το καλώδιο τροφοδοσίας έχει υποστεί ζημιά, πρέπει να αντικατασταθεί από τον κατασκευαστή, τον αντιπρόσωπο σέρβις ή παρόμοια καταρτισμένο τεχνικό για να αποφευχθεί ενδεχόμενος κίνδυνος.
- Η συσκευή πρέπει να εγκατασταθεί σύμφωνα με τους εθνικούς κανονισμούς περί καλωδίωσης.
- Το κάλυμμα της πλακέτας ακροδεκτών της εξωτερικής μονάδας πρέπει να είναι καλά στερεωμένο στη θέση του. Αν το κάλυμμα δεν τοποθετηθεί σωστά και εισχωρήσει στη μονάδα σκόνη και υγρασία, μπορεί να προκληθεί ηλεκτροπληξία ή πυρκαγιά.

# 1. Προφυλακτικά Μέτρα Ασφαλείας

- Κατά την εγκατάσταση ή τη μετακίνηση της αντλίας θερμότητας αέρα νερού, χρησιμοποιείτε μονό το συνιστώμενο ψυκτικό (R32) για την πλήρωση των γραμμών ψυκτικού. Μην το αναμινγύετε με άλλο ψυκτικό μέσο και μην αφήνετε τον αέρα να παραμένει μέσα στις γραμμές. Εάν αναμιχθεί αέρας με το ψυκτικό, ενδέχεται να προκαλέσει ασυνήθιστα υψηλή πίεση στη γραμμή ψυκτικού, με ενδεχόμενο έκρηξης και άλλους κινδύνους. Η χρήση ψυκτικού διαφορετικού από αυτό που καθορίζεται για το σύστημα θα προκαλέσει μηχανική βλάβη ή δυσλειτουργία του συστήματος ή ζημιά στο σύστημα. Στη χειρότερη περίπτωση, μια τέτοια ενέργεια ενδέχεται να υπονομεύσει την ασφάλεια του προϊόντος.
- Χρησιμοποιείτε μόνο εγκεκριμένα εξαρτήματα από την Mitsubishi Electric και για την εγκατάστασή τους καλέστε τον αντιπρόσωπο ή εξουσιοδοτημένο τεχνικό. Αν τα εξαρτήματα δεν εγκατασταθούν σωστά, μπορεί να προκληθεί διαρροή νερού, ηλεκτροπληξία ή πυρκαγιά.
- Μην πραγματοποιείτε τροποποιήσεις στη μονάδα. Ενδέχεται να προκληθεί πυρκαγιά, ηλεκτροπληξία, τραυματισμός ή διαρροή νερού.
- Ο χρήστης δεν πρέπει ποτέ να επιχειρήσει να επισκευάσει τη μονάδα ή να τη μεταφέρει σε άλλη θέση χωρίς τη βοήθεια ειδικού προσωπικού. Αν η μονάδα δεν εγκατασταθεί σωστά, μπορεί να προκληθεί διαρροή νερού, ηλεκτροπληξία ή πυρκαγιά. Αν η αντλία θερμότητας αέρα-νερού πρέπει να επισκευαστεί ή να μεταφερθεί, ζητήστε τη βοήθεια του αντιπροσώπου ή ενός εξουσιοδοτημένου τεχνικού.
- Όταν το κύκλωμα ψύξης έχει διαρροή, ΜΗΝ εκτελείτε εκκένωση με τον συμπιεστή.
- Κατά την εκκένωση του ψυκτικού, σταματήστε το συμπιεστή πριν αποσυνδέσετε τις ψυκτικές σωληνώσεις. Ο συμπιεστής ενδέχεται να εκραγεί εάν μέσα του εισέλθει αέρας κτλ.
- Αφού ολοκληρωθεί η εγκατάσταση, ελέγξτε για τυχόν διαρροές ψυκτικού. Αν υπάρχει διαρροή ψυκτικού στο δωμάτιο και έρθει σε επαφή με τη φλόγα μιας ηλεκτρικής θερμάστρας ή μιας φορητής εστίας μαγειρέματος, υπάρχει κίνδυνος να απελευθερωθούν δηλητηριώδη αέρια.
- Για την επιτάχυνση της διαδικασίας απόψυξης ή τον καθαρισμό, μη χρησιμοποιείτε άλλα μέσα από αυτά που συνιστά ο κατασκευαστής.
- Η συσκευή πρέπει να αποθηκεύεται σε χώρο όπου δεν υπάρχουν πηγές ανάφλεξης σε συνεχή λειτουργία (για παράδειγμα: γυμνές φλόγες, ενεργή συσκευή αερίου ή ενεργό ηλεκτρικό αερόθερμο).
- Μην τρυπάτε ή καίτε τη συσκευή.
- Έχετε υπόψη ότι τα ψυκτικά υγρά ενδέχεται να είναι άοσμα.
- Η σωλήνωση πρέπει να προστατεύεται από υλικές ζημιές.
- Η σωλήνωση πρέπει να διατηρείται στο ελάχιστο μήκος.
- Πρέπει να τηρούνται οι εθνικοί κανονισμοί σχετικά με το αέριο.
- Μη φράζετε τα απαιτούμενα ανοίγματα αερισμού.
- Μην χρησιμοποιείτε συγκολλητικό κράμα χαμηλής θερμοκρασίας σε περίπτωση συγκόλλησης των σωλήνων ψυκτικού.
- Όταν εκτελείτε εργασίες ετερογενούς συγκόλλησης, βεβαιωθείτε ότι το δωμάτιο αερίζεται επαρκώς. Βεβαιωθείτε ότι δεν υπάρχουν κοντά επικίνδυνα ή εύφλεκτα υλικά. Όταν εκτελείτε εργασίες σε κλειστό δωμάτιο, μικρό δωμάτιο ή παρόμοιο χώρο, βεβαιωθείτε ότι δεν υπάρχουν διαρροές ψυκτικού προτού εκτελέσετε την εργασία. Εάν διαρρεύσει και συσσωρευτεί ψυκτικό, μπορεί να αναφλεγεί ή να εκλυθούν δηλητηριώδη αέρια.
- Η συσκευή πρέπει να φυλάσσεται σε καλά αεριζόμενο χώρο, όπου το μέγεθος του δωματίου αντιστοιχεί στο εμβαδόν του δωματίου που έχει καθοριστεί για τη λειτουργία.
- Κρατήστε μακριά συσκευές καύσης αερίου, ηλεκτρικές θερμάστρες και άλλες πηγές φωτιάς (πηγές ανάφλεξης) από το χώρο όπου πρόκειται να πραγματοποιηθούν εργασίες εγκατάστασης, επισκευής και άλλες εργασίες στην αντλία θερμότητας αέρα νερού.
- Αν το ψυκτικό έρθει σε επαφή με φλόγα, θα εκλυθούν δηλητηριώδη αέρια. Μην καπνίζετε κατά τη διάρκεια των εργασιών και της μεταφοράς.
- Μην προσθέτετε το ψυκτικό πάνω από το μέγιστο επιτρεπόμενο όριο για κάθε εξωτερική μονάδα. Αν υπερβεί το μέγιστο επιτρεπόμενο όριο ψυκτικού, ενδέχεται να προκληθεί πυρκαγιά κατά την διαρροή του ψυκτικού.

## 1.1. Προετοιμασία για την εγκατάσταση



### ΠΡΟΣΟΧΗ:

- Μην χρησιμοποιείτε τη μονάδα σε ασυνήθιστους χώρους. Αν η αντλία θερμότητας αέρα-νερού εγκατασταθεί σε χώρους όπου υπάρχουν ατμοί, πτητικό λάδι (συμπεριλαμβανομένων των λαδιών μηχανημάτων) ή θειικά αέρια, σε περιοχές όπου υπάρχει υψηλή περιεκτικότητα σε αλάτι όπως οι παράκτιες περιοχές ή σε χώρους όπου υπάρχει ενδεχόμενο η μονάδα να σκεπαστεί με χιόνι, η απόδοσή της μπορεί να μειωθεί σημαντικά και τα εσωτερικά της μέρη να καταστραφούν.
- Μην εγκαθιστάτε τη μονάδα σε σημεία όπου υπάρχει κίνδυνος διαρροής, απελευθέρωσης, κυκλοφορίας ή συγκέντρωσης εύφλεκτων αερίων. Αν γύρω από τη μονάδα συγκεντρωθούν εύφλεκτα αέρια, υπάρχει κίνδυνος πυρκαγιάς ή έκρηξης.
- Στην εξωτερική μονάδα δημιουργείται συμπύκνωση νερού κατά τη λειτουργία θέρμανσης. Φροντίστε για την αποστράγγιση του νερού που βγαίνει γύρω από την εξωτερική μονάδα εάν υπάρχει κίνδυνος να προκαλέσει ζημιές.
- Όταν πρόκειται να εγκαταστήσετε τη μονάδα σε νοσοκομεία ή σε σταθμούς τηλεπικοινωνιών, πρέπει να γνωρίζετε ότι κάνει θόρυβο και προκαλεί ηλεκτρονικές παρεμβολές. Οι μετασχηματιστές συνεχούς ρεύματος, οι οικιακές συσκευές, τα ιατρικά μηχανήματα υψηλής συχνότητας και οι πομποί ραδιοσυχνότητας μπορεί να προκαλέσουν δυσλειτουργία ή βλάβη της αντλίας θερμότητας αέρα-νερού. Η αντλία θερμότητας αέρα-νερού μπορεί επίσης να επηρεάσει τη σωστή λειτουργία των ιατρικών μηχανημάτων, παρεμποδίζοντας την ιατρική περίθαλψη, και του τηλεπικοινωνιακού εξοπλισμού, επηρεάζοντας την ποιότητα της τηλεοπτικής εικόνας.

## 1.2. Προετοιμασία για την εγκατάσταση (μεταφορά)



### ΠΡΟΣΟΧΗ:

- Να είστε ιδιαίτερα προσεκτικοί κατά την μεταφορά ή την εγκατάσταση των μονάδων. Για τη μεταφορά της μονάδας, η οποία ζυγίζει τουλάχιστον 20 kg, χρειάζονται δύο ή και περισσότερα άτομα. Μην τη σηκώνετε από τις ταινίες συσκευασίας. Να φοράτε προστατευτικά γάντια κατά την αφαίρεση της μονάδας από την συσκευασία και κατά την μεταφορά της, επειδή μπορεί να τραυματίσετε τα χέρια σας πάνω στα πτερύγια ή στα άκρα άλλων εξαρτημάτων.
- Βεβαιωθείτε ότι τα υλικά συσκευασίας έχουν πεταχτεί σε ασφαλές μέρος. Τα υλικά συσκευασίας, όπως τα καρφιά και άλλα μεταλλικά ή ξύλινα μέρη, μπορεί να προκαλέσουν κοψίματα ή άλλους τραυματισμούς.
- Η βάση και τα σημεία στήριξης της εξωτερικής μονάδας πρέπει να ελέγχονται περιοδικά μήπως έχουν χαλαρώσει, σπάσει ή έχουν υποστεί άλλη ζημιά. Αν δεν διορθώσετε τις ζημιές αυτές, η μονάδα μπορεί να πέσει προκαλώντας ζημιά ή τραυματισμούς.
- Μην καθαρίζετε την αντλία θερμότητας αέρα-νερού με νερό. Μπορεί να πάθετε ηλεκτροπληξία.
- Σφίξτε όλα τα περικόχλια εκχείλωσης σύμφωνα με τις προδιαγραφές χρησιμοποιώντας ένα δυναμόκλειδο. Αν τα σφίξτε πάρα πολύ, μπορεί να σπάσουν μετά από ορισμένο χρονικό διάστημα και να σημειωθεί διαρροή ψυκτικού.

## 1.3. Προετοιμασία για τις ηλεκτρικές εργασίες



### ΠΡΟΣΟΧΗ:

- Φροντίστε να τοποθετήσετε διακόπτες κυκλώματος. Διαφορετικά, μπορεί να προκληθεί ηλεκτροπληξία.
- Για τις γραμμές τροφοδοσίας, χρησιμοποιήστε καλώδια του εμπορίου επαρκούς ισχύος. Διαφορετικά, μπορεί να προκληθεί βραχυκύκλωμα, υπερθέρμανση ή πυρκαγιά.
- Όταν συνδέετε τις γραμμές τροφοδοσίας, μην τεντώνετε υπερβολικά τα καλώδια. Αν οι συνδέσεις χαλαρώσουν, τα καλώδια μπορεί να σπάσουν με συνέπεια να προκληθεί υπερθέρμανση ή πυρκαγιά.
- Φροντίστε να γειώσετε τη μονάδα. Μην συνδέετε το καλώδιο γείωσης σε σολήνες αερίου ή υγρού, κολώνες ρεύματος ή τηλεφωνικές γραμμές. Αν η μονάδα δεν είναι κατάλληλα γειωμένη, μπορεί να προκληθεί ηλεκτροπληξία.
- Χρησιμοποιήστε διακόπτες κυκλώματος (διακόπτης κυκλώματος βλάβης γείωσης, διακόπτης απομόνωσης κυκλώματος (ασφάλεια +B), και διακόπτης κυκλώματος σε χυτευτό κουτί) με την ενδεδειγμένη χωρητικότητα. Αν η χωρητικότητα του διακόπτη κυκλώματος είναι μεγαλύτερη από την ενδεδειγμένη, μπορεί να προκληθεί βλάβη ή πυρκαγιά.

# 1. Προφυλακτικά Μέτρα Ασφαλείας

## 1.4. Πριν τη δοκιμαστική λειτουργία

### ⚠ ΠΡΟΣΟΧΗ:

- Ανοίξτε τον κεντρικό διακόπτη τροφοδοσίας 12 ώρες τουλάχιστον πριν την έναρξη της λειτουργίας. Η έναρξη λειτουργίας της μονάδας αμέσως αφού ανοίξετε τον κεντρικό διακόπτη τροφοδοσίας μπορεί να προκαλέσει σοβαρή ζημιά στα εσωτερικά της μέρη. Μην κλείνετε τον κεντρικό διακόπτη τροφοδοσίας την περίοδο λειτουργίας του κλιματιστικού.
- Πριν την έναρξη της λειτουργίας, ελέγξτε ότι όλα τα πλαίσια, οι διατάξεις ασφαλείας και άλλα προστατευτικά μέρη είναι σωστά τοποθετημένα. Μέρη που περιστρέφονται, έχουν υψηλή θερμοκρασία ή υψηλή τάση μπορεί να προκαλέσουν τραυματισμούς.

- Μην αγγίζετε τους διακόπτες με βρεγμένα χέρια. Μπορεί να πάθετε ηλεκτροπληξία.
- Μην αγγίζετε τους σωλήνες ψυκτικού με γυμνά χέρια όταν λειτουργεί το κλιματιστικό. Οι σωλήνες ψυκτικού είναι πολύ ζεστοί ή πολύ κρύοι ανάλογα με την κατάσταση του κυκλοφορούντος ψυκτικού μέσου. Αν αγγίζετε τους σωλήνες, μπορεί να πάθετε εγκαύματα ή κρουαπήματα.
- Αφού σταματήσει να λειτουργεί το κλιματιστικό, περιμένετε τουλάχιστον πέντε λεπτά πριν κλείσετε τον κεντρικό διακόπτη τροφοδοσίας. Διαφορετικά, μπορεί να προκληθεί διαρροή ή βλάβη.

## 1.5. Χρήση αντλίας θερμότητας αέρα-νερού με ψυκτικό R32

### ⚠ ΠΡΟΣΟΧΗ:

- Χρησιμοποιήστε φωσφορούχο κρατέρωμα C1220 για τη σύνδεση των σωληνώσεων ψυκτικού, όταν έχετε χαλκοσωλήνες και σωλήνες κράματος χαλκού χωρίς ενώσεις. Βεβαιωθείτε ότι οι εσωτερικές επιφάνειες των σωληνών είναι καθαρές και δεν περιέχουν επικίνδυνες προσμίξεις όπως θειικές ενώσεις, οξειδωτικά, ρινίσματα ή σκόνη. Χρησιμοποιείτε σωλήνες με το συνιστώμενο πάχος. (Ανατρέξτε στη 4.1.) Αν πρόκειται να χρησιμοποιήσετε ξανά παλιούς σωλήνες που περιείχαν ψυκτικό R22, προσέξτε τα παρακάτω.
  - Αντικαταστήστε τα παλιά περικόχλια εκχείλωσης και εκχειλώστε ξανά τα διαπλατυσμένα τμήματα.
  - Μην χρησιμοποιείτε σωλήνες με πολύ μικρό πάχος. (Ανατρέξτε στη 4.1.)
- Φυλάξτε τους σωλήνες που θα χρησιμοποιήσετε στην εγκατάσταση σε εσωτερικό χώρο και σφραγίστε και τα δύο άκρα των σωληνών μέχρι να εκτελέσετε τις εργασίες χαλκοκόλλησης. (Μην βγάλετε τα γωνιακά ρακόρ κτλ. από τη συσκευασία τους.) Αν στις σωληνώσεις ψυκτικού μπουν σκόνη, ρινίσματα ή υγρασία, υπάρχει κίνδυνος να προκληθεί αλλοίωση της ποιότητας του λαδιού ή βλάβη του συμπιεστή.
- Χρησιμοποιήστε λάδι εστέρα, λάδι αιθέρα ή αλκυλιοβενζόλη (μικρή ποσότητα) σαν ψυκτικό λάδι για την εφαρμογή στα διαπλατυσμένα τμήματα. Το ψυκτικό λάδι αν αναμιχθεί με ορυκτέλαιο, θα αλλοιωθεί.

- Οι εργασίες συντήρησης θα πρέπει να εκτελούνται μόνο σύμφωνα με τις συστάσεις του κατασκευαστή.
- Μην χρησιμοποιείτε άλλο ψυκτικό από το R32. Αν χρησιμοποιήσετε άλλο ψυκτικό, το χλώριο στο ψυκτικό μπορεί να προκαλέσει αλλοίωση στην ποιότητα του λαδιού.
- Χρησιμοποιήστε τα παρακάτω εργαλεία που προορίζονται ειδικά για χρήση με το ψυκτικό R32. Τα παρακάτω εργαλεία είναι απαραίτητα για τη χρήση ψυκτικού R32. Για τυχόν απορίες, απευθυνθείτε στον πλησιέστερο αντιπρόσωπο.

Εργαλεία (για R32)	
Πολλαπλός μετρητής	Εργαλείο διαπλάτυνσης
Σωλήνας πλήρωσης	Μετρητής διαστάσεων
Ανιχνευτής διαρροής αερίου	Σωλήνας αντλίας κενού
Δυναμόκλειδο	Ηλεκτρονικός ζυγός πλήρωσης ψυκτικού

- Χρησιμοποιείτε πάντα τα κατάλληλα εργαλεία. Αν στις σωληνώσεις ψυκτικού μπουν σκόνη, ρινίσματα ή υγρασία, υπάρχει κίνδυνος να προκληθεί αλλοίωση του ψυκτικού λαδιού.

## 2. Επιλογή της θέσης εγκατάστασης

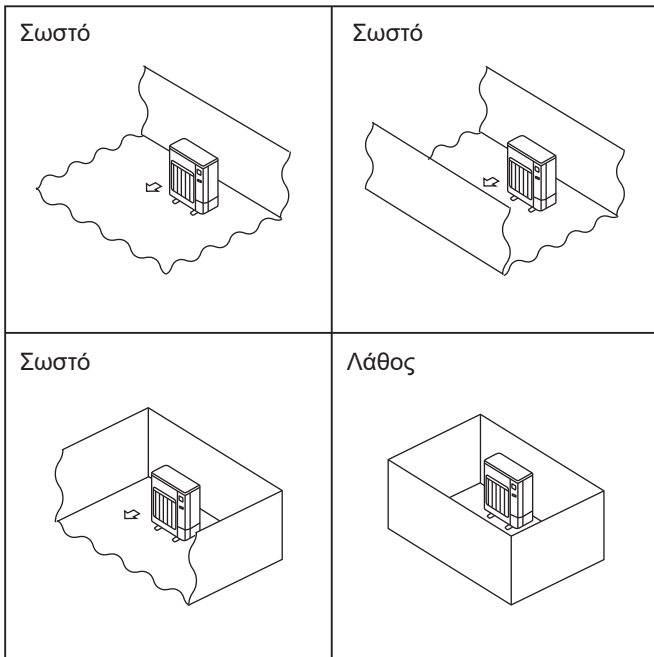


Fig. 2-1

### 2.1. Εξωτερική μονάδα

- Το R32 είναι βαρύτερο από τον αέρα — όπως και τα άλλα ψυκτικά — επομένως τείνει να συσσωρεύεται στη βάση (κοντά στο δάπεδο). Αν το R32 συσσωρευτεί γύρω από τη βάση, ενδέχεται να φτάσει σε μια εύφλεκτη συγκέντρωση σε περίπτωση που το δωμάτιο είναι μικρό. Προς αποφυγή τυχόν ανάφλεξης, απαιτείται η διατήρηση ασφαλούς περιβάλλοντος εργασίας μέσω διασφάλισης κατάλληλου εξαερισμού. Αν επιβεβαιωθεί διαρροή ψυκτικού σε ένα δωμάτιο ή μια περιοχή όπου ο εξαερισμός είναι ανεπαρκής, αποφεύγετε τη χρήση φλόγας έως ότου βελτιωθούν οι συνθήκες στο περιβάλλον εργασίας μέσω διασφάλισης κατάλληλου εξαερισμού.
  - Σε θέση που δεν είναι εκτεθειμένη σε ισχυρό άνεμο.
  - Σε θέση που δεν συγκεντρώνει σκόνη και στην οποία εξασφαλίζεται η σωστή ροή αέρα.
  - Σε θέση όπου δεν προκαλείται σύντομος κύκλος αέρα.
  - Σε θέση στην οποία ο ήχος λειτουργίας ή ο θερμός αέρας που εξέρχεται δεν ενοχλεί τους γείτονες.
  - Σε θέση όπου υπάρχει συμπαγής τοίχος ή στήριγμα, προκειμένου να αποτρέπεται η αύξηση του θορύβου κατά τη λειτουργία ή οι κραδασμοί.
  - Σε θέση όπου δεν υπάρχει κίνδυνος διαρροής εύφλεκτου αερίου.
  - Όταν εγκαθιστάτε τη μονάδα ψηλά, βεβαιωθείτε ότι στερεώσατε καλά τα πόδια στήριξης της μονάδας.
  - Σε θέση που απέχει τουλάχιστον 3 μέτρα μακριά από την κεραία της τηλεόρασης ή του ραδιοφώνου. (Διαφορετικά, οι εικόνες θα παραμορφώνονται ή θα δημιουργείται θόρυβος).
  - Η εγκατάσταση πρέπει να γίνει σε σημεία που δεν είναι εκτεθειμένα στη χιονόπτωση ή στον αέρα. Σε περιοχές όπου χιονίζει συχνά, τοποθετήστε ένα υπόστεγο ή μια τέντα, μια βάση και/ή προστατευτικά πλαίσια.
  - Τοποθετήστε τη μονάδα οριζοντίως.
  - Η σύνδεση των σωληνών ψυκτικού πρέπει να είναι προσβάσιμη για σκοπούς συντήρησης.
- © Εγκαθιστάτε τις εξωτερικές μονάδες σε χώρους όπου τουλάχιστον μία από τις τέσσερις πλευρές είναι ανοικτή και σε επαρκώς μεγάλους χώρους χωρίς συμπίεσεις. (Fig. 2-1)

### ⚠ ΠΡΟΣΟΧΗ:

Να αποφεύγετε τα παρακάτω σημεία για την εγκατάσταση της αντλίας θερμότητας αέρα νερού διότι ενδέχεται να προκύψει πρόβλημα.

- Σε χώρους όπου υπάρχουν υπερβολικές ποσότητες λιπαντικών μηχανής.
- Σε περιβάλλον όπου υπάρχουν μεγάλες ποσότητες αλατιού, όπως οι παράκτιες περιοχές.
- Σε περιοχές θερμών πηγών.
- Σε περιοχές όπου υπάρχει θειούχο αέριο.
- Σε περιοχές όπου επικρατούν άλλες ειδικές συνθήκες στην ατμόσφαιρα.

Η εξωτερική μονάδα παράγει συμπύκνωμα κατά τη διάρκεια της λειτουργίας θέρμανσης. Επιλέξτε το χώρο εγκατάστασης ώστε να διασφαλίσετε να μη βραχούν η εξωτερική μονάδα και/το πάτωμα από το νερό αποστράγγισης ή να καταστραφούν από το παγωμένο νερό αποστράγγισης.

## 2. Επιλογή της θέσης εγκατάστασης

### ©2.2. Ελάχιστη περιοχή εγκατάστασης

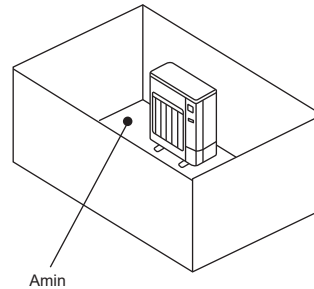
Αν πρέπει οπωσδήποτε να εγκαταστήσετε μια μονάδα σε χώρο όπου και οι τέσσερις πλευρές αποκλείονται ή ασκούνται συμπίεσεις, επιβεβαιώστε ότι ικανοποιείται μία από τις παρακάτω καταστάσεις (Α, Β ή C).

**Σημείωση:** Αυτά τα αντίμετρα προορίζονται για τη διατήρηση της ασφάλειας, όχι για την εγγύηση των προδιαγραφών.

A) Εξασφαλίστε επαρκή χώρο εγκατάστασης (ελάχιστο εμβαδόν εγκατάστασης  $A_{min}$ ).

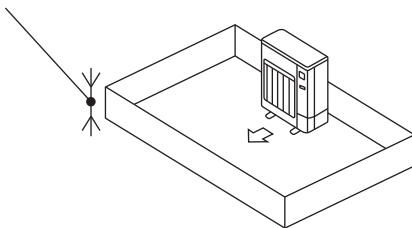
Εγκαταστήστε τη μονάδα σε χώρο με εμβαδόν εγκατάστασης  $A_{min}$  ή μεγαλύτερο, που αντιστοιχεί σε ποσότητα ψυκτικού M (ψυκτικό που έχει πληρωθεί από το εργοστάσιο + ψυκτικό που προστίθεται τοπικά).

M [kg]	$A_{min}$ [m <sup>2</sup> ]
1,0	12
1,5	17
2,0	23
2,5	28
3,0	34
3,5	39
4,0	45
4,5	50
5,0	56
5,5	62
6,0	67
6,5	73
7,0	78
7,5	84

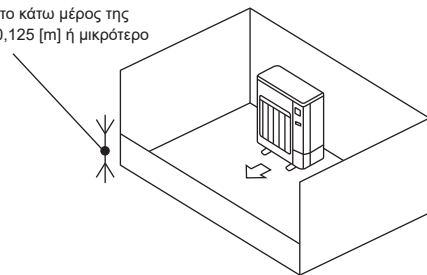


B) Εγκαταστήστε τη μονάδα σε χώρο με ύψος συμπίεσης της τάξης των  $\leq 0,125$  [m].

Ύψος από το κάτω μέρος της τάξης των 0,125 [m] ή μικρότερο



Ύψος από το κάτω μέρος της τάξης των 0,125 [m] ή μικρότερο

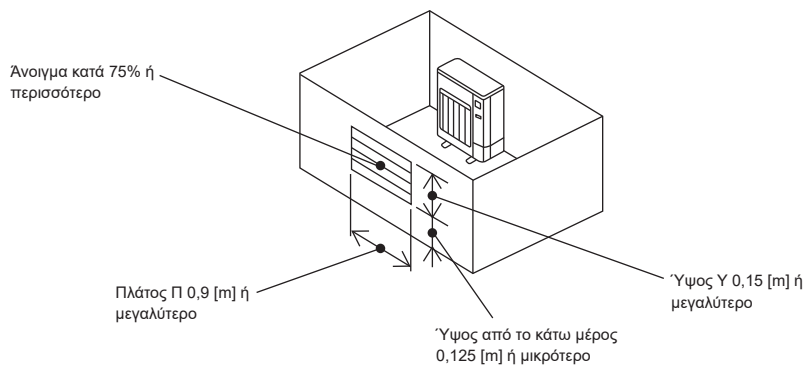


C) Δημιουργήστε κατάλληλη ανοικτή περιοχή εξαερισμού.

Βεβαιωθείτε ότι το πλάτος της ανοικτής περιοχής είναι 0,9 [m] ή μεγαλύτερο και το ύψος της ανοικτής περιοχής είναι 0,15 [m] ή μεγαλύτερο.

Ωστόσο, το ύψος από το κάτω μέρος του χώρου εγκατάστασης έως το κάτω άκρο της ανοικτής περιοχής θα πρέπει να είναι 0,125 [m] ή μικρότερο.

Η ανοικτή περιοχή θα πρέπει να έχει άνοιγμα κατά 75% ή περισσότερο.



**Σημείωση:** Σχετικά με την εσωτερική μονάδα, δεν υπάρχουν περιορισμοί εγκατάστασης λόγω της χρήσης ψυκτικού R32.

Ανατρέξτε στο εγχειρίδιο εγκατάστασης της εσωτερικής μονάδας και ελέγξτε τον απαιτούμενο χώρο εγκατάστασης.



### 3. Διάγραμμα εγκατάστασης

#### 3.1. Εξωτερική μονάδα (Fig. 3-1)

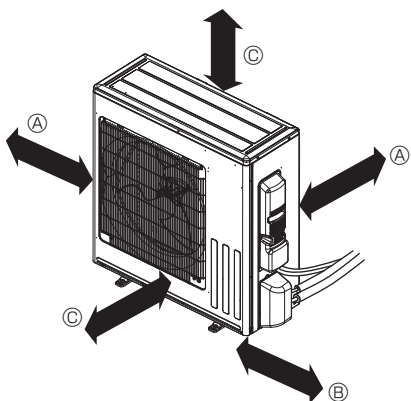
Χώρος εξαερισμού και επισκευών

- Ⓐ 100 mm ή περισσότερο
- Ⓑ 350 mm ή περισσότερο
- Ⓒ 500 mm ή περισσότερο

Όταν η σωλήνωση πρόκειται να τοποθετηθεί σε τοίχο που περιέχει μέταλλο (είναι επικασσιπερωμένος) ή μεταλλικό πλέγμα, χρησιμοποιήστε ένα χημικά επεξεργασμένο κομμάτι από ξύλο, πάχους 20 mm ή περισσότερο, ανάμεσα στον τοίχο και τη σωλήνωση ή τυλίξτε 7 έως 8 φορές τη σωλήνωση με μονωτική ταινία βινυλίου.

Οι μονάδες θα πρέπει να εγκαθίστανται από εξουσιοδοτημένο εργολάβο, σύμφωνα με τους τοπικούς κανονισμούς.

■ SUZ-SWM80VA2, SUZ-SWM80VAH2, SUZ-SWM100VA, SUZ-SWM100VAH, SUZ-SHWM60VAH

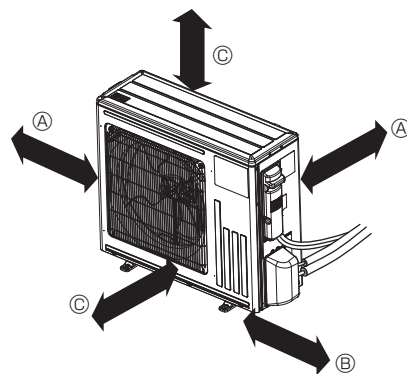


Σημείωση:

Όταν η αντλία θερμότητας αέρα νερού λειτουργεί σε χαμηλή εξωτερική θερμοκρασία, βεβαιωθείτε ότι ακολουθείτε τις παρακάτω οδηγίες.

- Ποτέ μην τοποθετείτε την εξωτερική μονάδα σε μέρος όπου η πλευρά εισόδου/εξόδου αέρα είναι άμεσα εκτεθειμένη στον άνεμο.
- Για να αποτρέψετε την έκθεση στον άνεμο, τοποθετήστε την εξωτερική μονάδα με την πλευρά εισόδου αέρα στραμμένη προς τον τοίχο.
- Για να αποτρέψετε την έκθεση στον άνεμο, συνιστάται η εγκατάσταση διαφράγματος στην πλευρά εξόδου αέρα της εξωτερικής μονάδας.

■ SUZ-SWM30VA, SUZ-SWM40VA2, SUZ-SWM60VA2, SUZ-SHWM30VAH, SUZ-SHWM40VAH



el

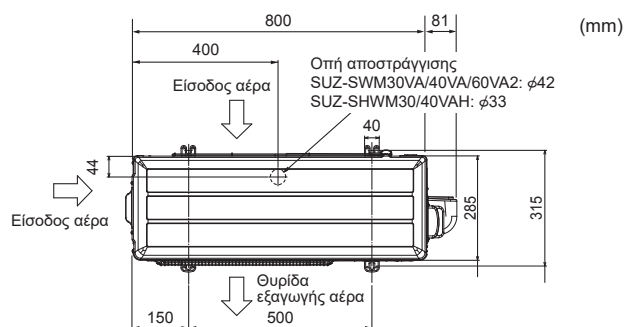
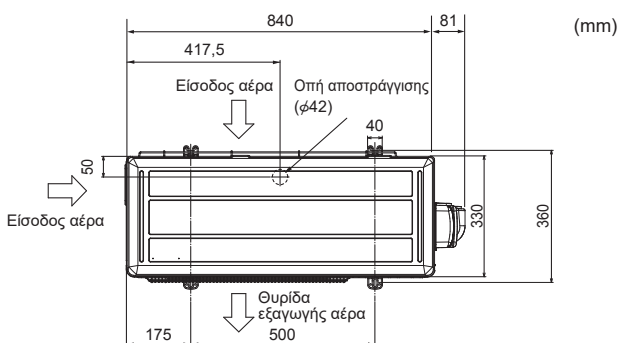


Fig. 3-1

### 4. Σωληνώσεις αποστράγγισης για την εξωτερική μονάδα (Fig. 4-1)

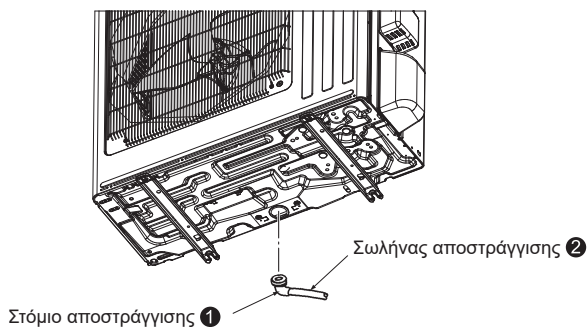


Fig. 4-1

#### 4.1. Εξαρτήματα

Ελέγξτε τα παρακάτω αναφερόμενα εξαρτήματα πριν την εγκατάσταση.  
<Εξωτερική μονάδα>

1	Στόμιο αποστράγγισης	1
---	----------------------	---

- Τοποθετήστε σωληνώσεις αποστράγγισης πριν συνδέσετε τις σωληνώσεις σύνδεσης της εσωτερικής και εξωτερικής μονάδας. (Είναι δύσκολη η τοποθέτηση του στομίου αποστράγγισης 1 εάν εγκατασταθεί η σωλήνωση σύνδεσης της εσωτερικής και εξωτερικής μονάδας πριν από τη σωλήνωση αποστράγγισης, καθώς η εξωτερική μονάδα δεν θα μπορεί να μετακινηθεί.)
- Συνδέστε τον εύκαμπτο σωλήνα αποστράγγισης 2 (διατίθεται στο εμπόριο, εσωτερική διάμετρος: 15 mm) όπως φαίνεται στην εικόνα, για αποστράγγιση.
- Βεβαιωθείτε ότι η σωλήνωση αποστράγγισης έχει κλίση προς τα κάτω για εύκολη ροή των υγρών αποστράγγισης.

Σημείωση:

Μην χρησιμοποιείτε το στόμιο αποστράγγισης 1 σε ψυχρές περιοχές. Τα υγρά της αποστράγγισης ενδέχεται να ψυχθούν και να προκαλέσουν τη διακοπή της λειτουργίας του ανεμιστήρα.

Ο ακροσύνδεσμος αποστράγγισης δεν περιλαμβάνεται στη σειρά SHWM.

## 5. Εργασίες στις σωληνώσεις ψυκτικού

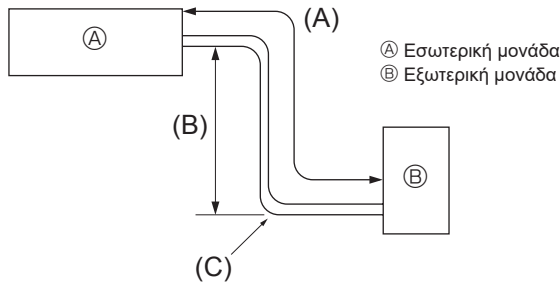


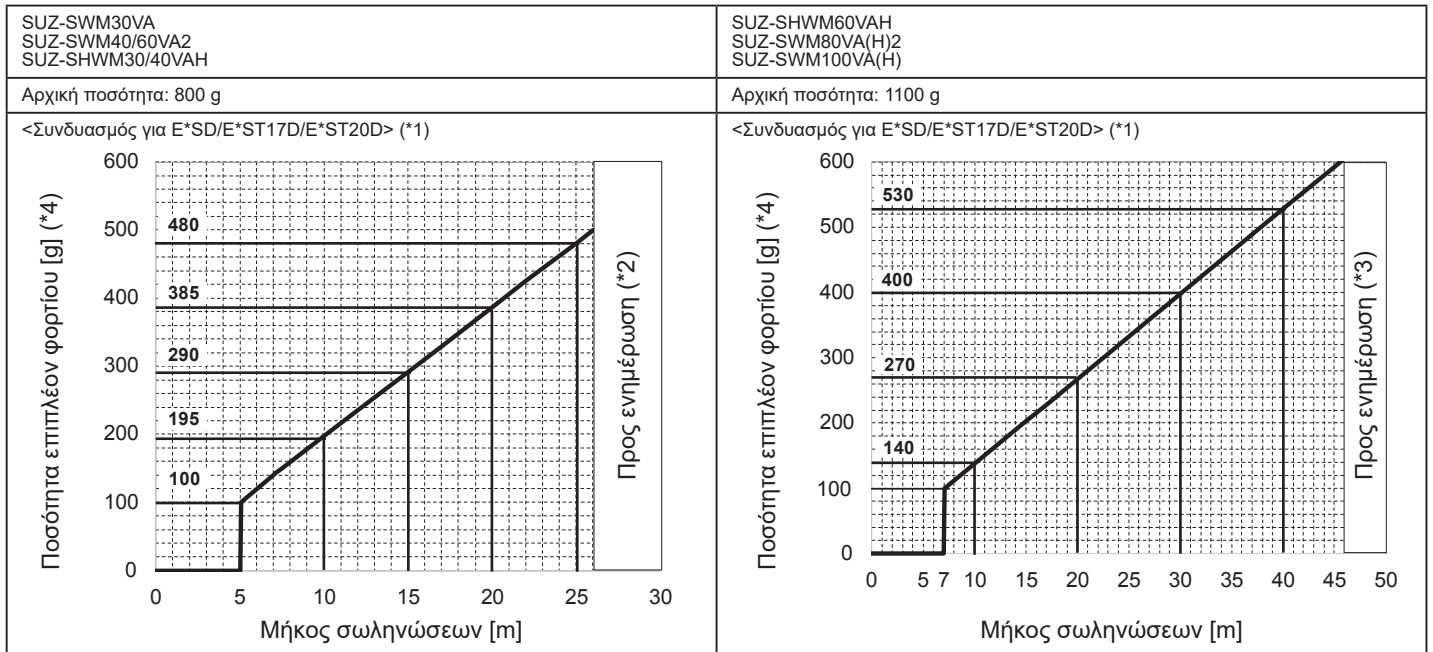
Fig. 5-1

### 5.1. Σωλήνες ψυκτικού (Fig. 5-1)

► Ελέγξτε ότι η υψομετρική διαφορά μεταξύ της εσωτερικής και της εξωτερικής μονάδας, το μήκος της σωληνώσεως για το ψυκτικό και ο αριθμός όπου κάμπτονται οι σωληνώσεις, βρίσκονται εντός των ορίων που καθορίζονται στον πίνακα πιο κάτω.

Μοντέλα	(A) Μήκος σωληνώσεως (μιας κατεύθυνσης)	(B) Υψομετρική διαφορά	(C) Αριθμός κάμψεων (μία κατεύθυνση)
SUZ-SWM30VA	2 m - 26 m	Μέγ. 26 m	Μέγ. 10
SUZ-SHWM30VAH			
SUZ-SWM40VA2			
SUZ-SHWM40VAH			
SUZ-SWM60VA2	2 m - 46 m	Μέγ. 30 m	
SUZ-SHWM60VAH			
SUZ-SWM80VA(H)2			
SUZ-SWM100VA(H)			

• Οι περιορισμοί στην υψομετρική διαφορά είναι δεσμευτικοί ανεξάρτητα από το ποια μονάδα, εσωτερική ή εξωτερική, τοποθετείται υψηλότερα.



\*1. Σε περίπτωση σύνδεσης με το E\*ST30D, προσθέτετε PANTA 50 g πάνω από το επιπλέον φορτίο, σύμφωνα με τα γραφήματα.

\*2. Για μήκος σωληνώσεων μεγαλύτερο από 26 m, φροντίστε να συμβουλευέστε τον ειδικό μας.

\*3. Για μήκος σωληνώσεων μεγαλύτερο από 46 m, φροντίστε να συμβουλευέστε τον ειδικό μας.

\*4. Σε περίπτωση Πλήρους αναπλήρωσης: Αρχική ποσότητα + Ποσότητα επιπλέον φορτίου

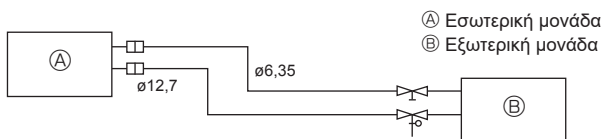


Fig. 5-2

(1) Ο παρακάτω πίνακας παρουσιάζει τις προδιαγραφές των αγωγών που διατίθενται στο εμπόριο. (Fig. 5-2)

Μοντέλα	Σωλήνες	Εξωτερική διάμετρος		Ελάχιστο πάχος τοίχου	Πάχος μόνωσης	Μονωτικό υλικό
		mm	ίντσα			
Όλα τα μοντέλα	Για υγρό	6,35	1/4	0,8 mm	8 mm	Θερμοαν-θεκτικός πλαστικός αφρός Ειδική βαρύτης 0,045
	Για αέριο	12,7	1/2	0,8 mm	8 mm	

(2) Βεβαιωθείτε ότι οι δύο ψυκτικές σωληνώσεις είναι καλά μονωμένες ώστε να αποφύγετε συμπυκνώσεις.

(3) Η ακτίνα καμπύλωσης των ψυκτικών σωληνώσεων πρέπει να είναι 100 mm ή περισσότερο.

### ⚠ ΠΡΟΣΟΧΗ:

Χρησιμοποιήστε μόνωση του καθορισμένου πάχους. Η χρήση μόνωσης υπερβολικού πάχους δεν επιτρέπει την αποθήκευση της σωληνώσεως πίσω από την εσωτερική μονάδα, ενώ η χρήση μόνωσης πολύ μικρού πάχους δημιουργεί υδρατμούς.

- Φροντίστε να υπάρχει κατάλληλος εξαερισμός, προκειμένου να αποτρέπεται τυχόν ανάφλεξη. Επιπλέον, φροντίστε να εφαρμόζετε μέτρα πυροπρόληψης ώστε να μην υπάρχουν επικίνδυνα ή εύφλεκτα αντικείμενα στη γύρω περιοχή.
- Αναπλήρωση συντήρησης R32: Πριν από την αναπλήρωση με R32 κατά τη συντήρηση του εξοπλισμού, για να διασφαλιστεί ότι δεν υπάρχει κίνδυνος έκρηξης από ηλεκτρικούς σπινθήρες, πρέπει να διασφαλιστεί ότι ο μηχανικός εξοπλισμός είναι 100% αποσυνδεδεμένος από την κεντρική παροχή.
- Για τα μονωτικά υλικά, θα πρέπει να ικανοποιούνται οι ακόλουθες προδιαγραφές.
  - (1) Ρυθμός μεταφοράς θερμότητας: 0,040 W/mK ή χαμηλότερος
  - (2) Πάχος μόνωσης: 9 mm ή περισσότερο
  - (3) Αντοχή στη θερμότητα: 110 °C ή περισσότερο
 Αν το μήκος της σωληνώσεως στον εξωτερικό χώρο είναι πάνω από 15 m, το πάχος της μόνωσης θα πρέπει να είναι 18 mm ή περισσότερο.

## 5. Εργασίες στις σωληνώσεις ψυκτικού

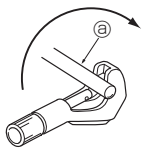


Fig. 5-3

- Ⓐ Χάλκινοι σωλήνες
- Ⓑ Σωστοί
- Ⓒ Λανθασμένοι
- Ⓓ Κεκλιμένοι
- Ⓔ Μη επίπεδοι
- Ⓕ Τραχείς

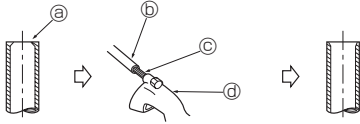


Fig. 5-4

- Ⓐ Γλύφανο
- Ⓑ Χάλκινος αγωγός/σωλήνας
- Ⓒ Διευρυντήρας
- Ⓓ Κόπτης σωλήνα

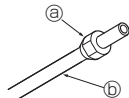


Fig. 5-5

- Ⓐ Παξιμάδι διεύρυνσης
- Ⓑ Χαλκοσωλήνας

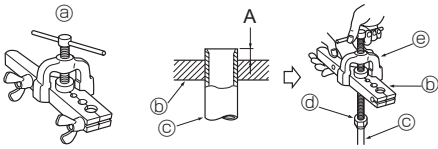


Fig. 5-6

- Ⓐ Εργαλείο διεύρυνσης
- Ⓑ Βιδολόγος
- Ⓒ Χαλκοσωλήνας
- Ⓓ Παξιμάδι διεύρυνσης
- Ⓔ Συνδετήρας

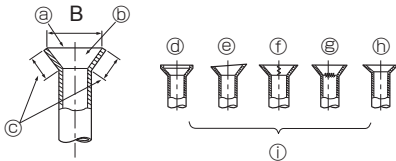


Fig. 5-7

### 5.2. Εργασίες διεύρυνσης

- Η κυριότερη αιτία για τη διαρροή αερίου είναι κάποιο ελάττωμα στη διεύρυνση. Για να διενεργήσετε σωστή διεύρυνση, ακολουθήστε την παρακάτω διαδικασία.

#### 5.2.1. Κοπή αγωγών (Fig. 5-3)

- Χρησιμοποιώντας κόπτη αγωγών, κόψτε σωστά το χάλκινο αγωγό.

#### 5.2.2. Αφαίρεση ανωμαλιών (Fig. 5-4)

- Αφαιρέστε πλήρως όλες τις ανωμαλίες από το σημείο διατομής αγωγού/σωλήνα.
- Τοποθετήστε το άκρο του χάλκινου αγωγού/σωλήνα προς τα κάτω, καθώς αφαιρείτε τις ανωμαλίες, για να αποφύγετε την πτώση των ρινισμάτων στη σωλήνωση.

#### 5.2.3. Τοποθέτηση του παξιμαδιού (Fig. 5-5)

- Αφαιρέστε τα παξιμάδια διεύρυνσης που έχουν προσαρτηθεί στην εσωτερική και την εξωτερική μονάδα και τοποθετήστε τα στον αγωγό/σωλήνα, αφού τον λειάνετε πλήρως.  
(είναι αδύνατη η τοποθέτηση μετά την εργασία διεύρυνσης)

#### 5.2.4. Διεύρυνση (Fig. 5-6)

- Πραγματοποιήστε την εργασία εκχείλωσης χρησιμοποιώντας το εργαλείο όπως φαίνεται στα αριστερά.

Διάμετρος σωλήνα (mm)	Διάσταση	
	A (mm)	B <sup>+0</sup> <sub>-0,4</sub> (mm)
	Όταν χρησιμοποιείται το εργαλείο για R32 Τύπος συμπλέκτη	
6,35	0 - 0,5	9,1
9,52	0 - 0,5	13,2
12,7	0 - 0,5	16,6
15,88	0 - 0,5	19,7

Συγκρατήστε στέρεα το χαλκοσωλήνα σε έναν βιδολόγο των διαστάσεων που παρουσιάζονται στον παραπάνω πίνακα.

#### 5.2.5. Ελέγξτε τα παρακάτω (Fig. 5-7)

- Συγκρίνετε την εργασία εκχείλωσης με μια εικόνα στα αριστερά.
- Εάν υπάρχει κάποιο ελάττωμα στη διεύρυνση, αποκόψτε το διευρυνμένο τμήμα και επαναλάβετε τη διεύρυνση.

- Ⓐ Λειάνετε την περιφέρεια
- Ⓑ Το εσωτερικό δεν θα πρέπει να έχει καμία αμυχή
- Ⓒ Αποκαταστήστε ίσο μήκος σε όλη την περιφέρεια
- Ⓓ Υπερβολικό
- Ⓔ Κεκλιμένοι
- Ⓕ Αμυχή στο πεδίο διεύρυνσης
- Ⓖ Ραγισμένοι
- Ⓗ Μη επίπεδοι
- Ⓘ Κακά παραδείγματα

- Απλώστε ένα λεπτό στρώμα ψυκτικού λιπαντικού στην επιφάνεια έδρασης του αγωγού. (Fig. 5-8)
- Για να κάνετε τη σύνδεση, πρώτα ευθυγραμμίστε το κέντρο και έπειτα σφίξτε τις πρώτες 3 έως 4 στροφές του παξιμαδιού διεύρυνσης.
- Χρησιμοποιήστε τον πίνακα ροπών στρέψης ως οδηγό για το πλευρικό τμήμα συνδέσεων της εσωτερικής μονάδας και σφίξτε, χρησιμοποιώντας δύο κλειδιά. Εάν σφίχτε υπερβολικά, θα προκληθεί βλάβη στο τμήμα διεύρυνσης.

Διάμετρος χαλκοσωλήνα (mm)	Διάμετρος περικοχλίου εκχείλωσης O.D. (mm)	Ροπή σύσφιξης (N·m)
ø6,35	17	14 - 18
ø9,52	22	34 - 42
ø12,7	26	49 - 61
ø15,88	29	68 - 82

### ⚠ ΠΡΟΕΙΔΟΠΟΙΗΣΗ:

Κατά την εγκατάσταση της μονάδας, συνδέστε με ασφάλεια τους ψυκτικούς σωλήνες πριν θέσετε σε λειτουργία το συμπιεστή.

### ⚠ ΠΡΟΕΙΔΟΠΟΙΗΣΗ:

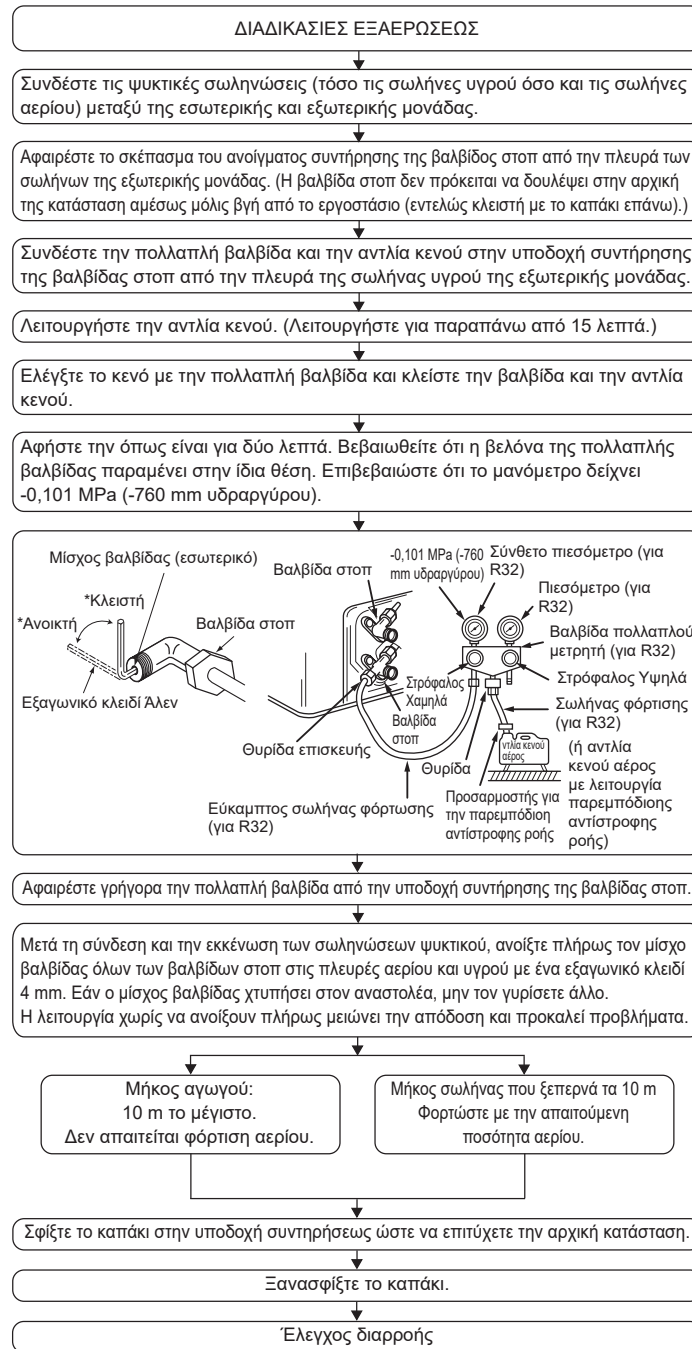
Προσέξτε το παξιμάδι διεύρυνσης! (Συμπιέζεται εσωτερικά)

Αφαιρέστε το παξιμάδι διεύρυνσης ως εξής:

1. Ξεβιδώστε το παξιμάδι, ωστόσο να ακούσετε έναν συρικό ήχο.
2. Μην αφαιρέσετε το παξιμάδι ωστόσο να ελευθερωθεί πλήρως το αέριο (δηλαδή ωστόσο να σταματήσει ο συρικός ήχος).
3. Βεβαιωθείτε ότι το αέριο έχει ελευθερωθεί πλήρως και έπειτα αφαιρέστε το παξιμάδι.

## 5. Εργασίες στις σωληνώσεις ψυκτικού

### 5.3. Δοκιμή διαρροών στις διαδικασίες καθαρισμού

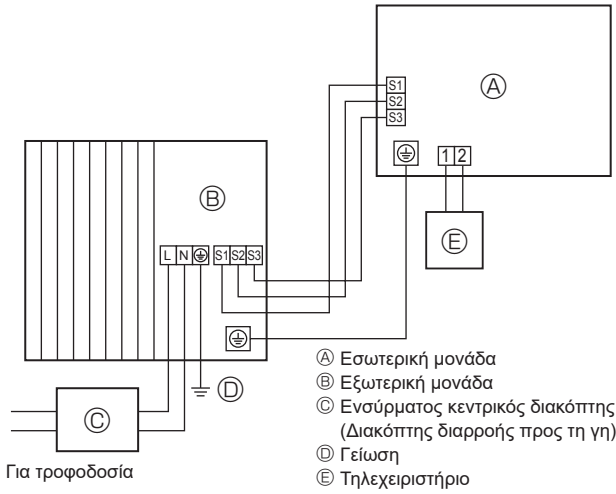


## 6. Ηλεκτρικές εργασίες

### 6.1. Εξωτερική μονάδα (Fig. 6-1, Fig. 6-2, Fig. 6-3)

- 1 Βγάλτε το καπάκι συντήρησης.
- 2 Συνδέστε τα καλώδια σύμφωνα με τις Fig. 6-1, Fig. 6-2 και την Fig. 6-3.

#### ■ SUZ-SHWM60VAH, SUZ-SWM80VA(H)2, SUZ-SWM100VA(H)



#### ■ SUZ-SHWM30/40VAH, SUZ-SWM30VA, SUZ-SWM40/60VA2

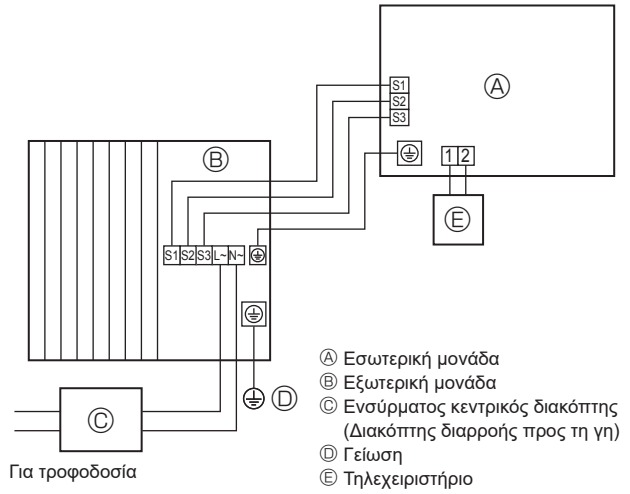


Fig. 6-1

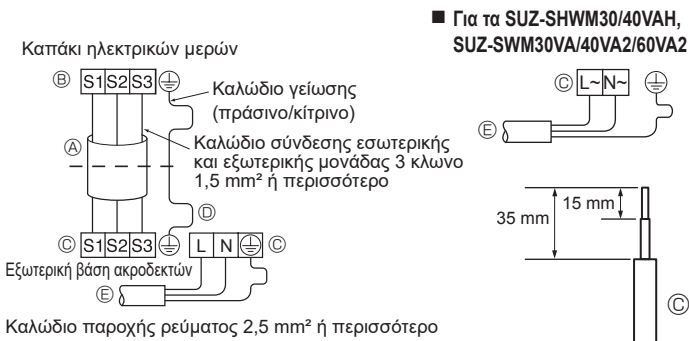
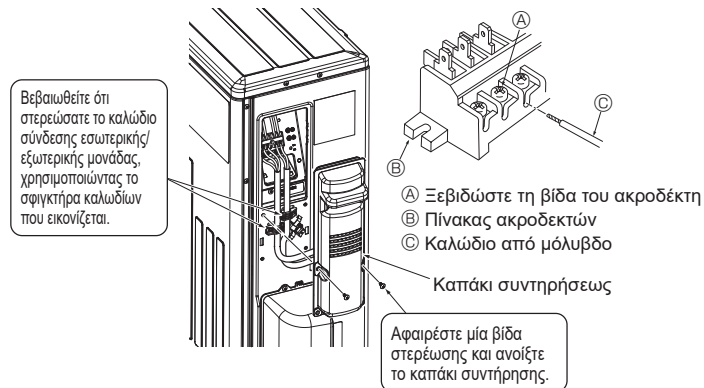


Fig. 6-2

#### ■ SUZ-SWM30VA, SUZ-SWM40VA2, SUZ-SWM60VA2, SUZ-SHWM30VAH, SUZ-SHWM40VAH



#### ■ SUZ-SWM80VA2, SUZ-SWM100VA, SUZ-SWM80VAH2, SUZ-SWM100VAH, SUZ-SHWM60VAH

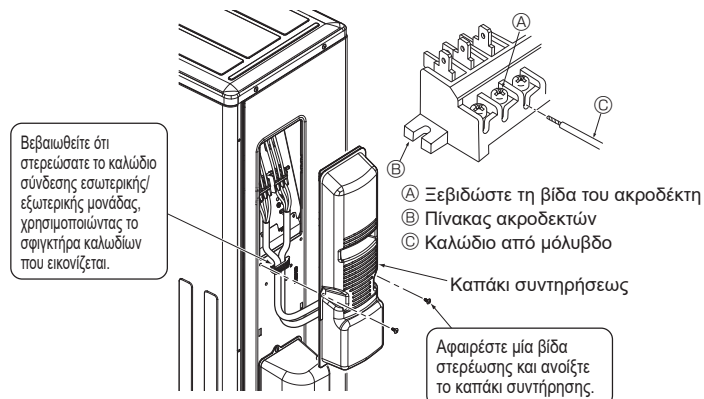


Fig. 6-3

- Εκτελέστε την καλωδίωση, όπως φαίνεται στο διάγραμμα κάτω αριστερά. (Προμηθευτείτε το καλώδιο επί τόπου) (Fig. 6-2)
- Βεβαιωθείτε ότι χρησιμοποιείται αποκλειστικά καλώδια με τη σωστή πολικότητα.

- Α Καλώδιο σύνδεσης
- Β Πίνακας ακροδεκτών εσωτερικής μονάδας
- Γ Πίνακας ακροδεκτών εξωτερικής μονάδας
- Δ Πάντα να τοποθετείτε καλώδιο γείωσης μεγαλύτερου μήκους από τα υπόλοιπα καλώδια.
- Ε Καλώδιο παροχής ρεύματος
- Φ Καλώδιο από μολύβδο

- Το καλώδιο γείωσης θα πρέπει να είναι λίγο μακρύτερο από τα υπόλοιπα. (Περισσότερο από 100 mm)
- Αφήστε μεγαλύτερο μήκος στα καλώδια σύνδεσης, για μελλοντική συντήρηση.
- Βεβαιωθείτε ότι έχετε στερεώσει όλες τις βίδες στους αντίστοιχους ακροδέκτες όταν στερεώνετε το σύρμα και/ή το καλώδιο στον πίνακα ακροδεκτών.

- Συνδέστε σωστά τα καλώδια από την εσωτερική μονάδα στο κιβώτιο ακροδεκτών.
- Χρησιμοποιήστε το ίδιο κιβώτιο ακροδεκτών και την ίδια πολικότητα με την εσωτερική μονάδα.
- Για τη μετέπειτα συντήρηση, δώστε επιπλέον μήκος στο καλώδιο σύνδεσης.

- Και τα δύο άκρα του καλωδίου σύνδεσης (καλώδιο προέκτασης) γυμνώνονται. Όταν είναι υπερβολικά μακρύ ή συνδεθεί με κοπή στο μέσο, γυμνώστε το καλώδιο παροχής ρεύματος στο μήκος που φαίνεται στην εικόνα.
- Προσέξτε ώστε το καλώδιο να μην έλθει σε επαφή με τη σωλήνωση.

### ⚠ ΠΡΟΣΟΧΗ:

- Προσέξτε να μην κάνετε κακή σύνδεση των καλωδίων.
- Σφίξτε καλά τις βίδες των ακροδεκτών, ώστε να μην χαλαρώνουν.
- Αφού τις σφίξετε, τραβήξτε ελαφρά τα καλώδια για να μην κινούνται.

### ⚠ ΠΡΟΕΙΔΟΠΟΙΗΣΗ:

- Φροντίστε να στερεώσετε καλά τον πίνακα σέρβις της εξωτερικής μονάδας. Εάν η σύνδεση είναι λανθασμένη, θα μπορούσε να προκληθεί πυρκαγιά ή ηλεκτροπληξία, λόγω εισόδου σκόνης, νερού κ.λπ.
- Σφίξτε καλά τις βίδες των ακροδεκτών.
- Η καλωδίωση θα πρέπει να γίνει έτσι ώστε οι αγωγοί ρεύματος να μην υφίστανται έλξη. Διαφορετικά, ενδέχεται να εκλυθεί θερμότητα ή να εκδηλωθεί πυρκαγιά.

## 6. Ηλεκτρικές εργασίες

### 6.2. Ηλεκτρικά καλώδια που πρέπει να προμηθευτείτε

Μοντέλο εξωτερικής μονάδας	SUZ-SHWM30VAH/40VAH SUZ-SWM30VA/40VA2/60VA2	SUZ-SHWM60VAH SUZ-SWM80VA(H)2/SWM100VA(H)
Τροφοδοσία εξωτερικής μονάδας	~/N (μονοφασικό), 50 Hz, 230 V	~/N (μονοφασικό), 50 Hz, 230 V
Ρεύμα εισόδου του διακόπτη κυκλώματος (ασφαλειοδιακόπτης) εξωτερικής μονάδας *1	16 A	20 A
Αρ. καλωδίων × μέγεθος (mm <sup>2</sup> )	Τροφοδοσία εξωτερικής μονάδας	2 × 2,5 Ελάχιστο
	Γείωση εξωτερικής μονάδας	1 × 2,5 Ελάχιστο
	Εσωτερική μονάδα-Εξωτερική μονάδα	3 × 1,5 (πολικό)
	Εσωτερική μονάδα-Γείωση εξωτερικής μονάδας	1 × 1,5 Ελάχιστο
Ονομαστική ισχύς κυκλώματος	Εξωτερική μονάδα L-N *2	230 VAC
	Εσωτερική μονάδα-Εξωτερική μονάδα S1-S2 *2	230 VAC
	Εσωτερική μονάδα-Εξωτερική μονάδα S2-S3 *2	12 VDC – 24 VDC

\*1. Πρέπει να τοποθετηθεί ένας διακόπτης με τουλάχιστον 3 mm διάκενο επαφών σε κάθε πόλο. Χρησιμοποιήστε διακόπτη διαρροής προς γη (NV).

Βεβαιωθείτε ότι ο διακόπτης διαρροής είναι συμβατός με υψηλές συχνότητες.

Πάντα να χρησιμοποιείτε διακόπτη διαρροής συμβατό με υψηλές συχνότητες καθώς αυτή η μονάδα είναι εξοπλισμένη με αναστροφή.

Η χρήση ανεπαρκούς διακόπτη ενδέχεται να οδηγήσει σε λανθασμένη λειτουργία του αναστροφέα.

\*2. Οι τιμές ΔΕΝ λαμβάνονται ως προς τη γείωση.

Ο ακροδέκτης S3 έχει 24 VDC έναντι του ακροδέκτη S2. Ωστόσο, μεταξύ των ακροδεκτών S3 και S1, ΔΕΝ υπάρχει ηλεκτρική μόνωση από το μετασχηματιστή ή άλλη συσκευή.

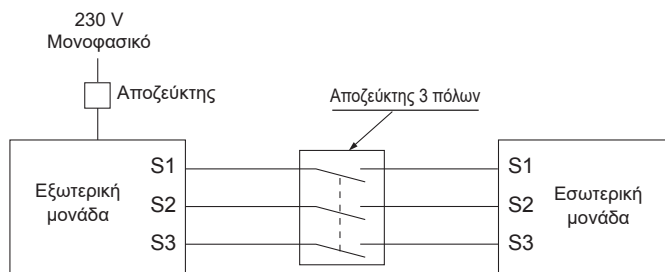
**Σημειώσεις:** 1. Το μέγεθος των καλωδίων πρέπει να πληροί τους ισχύοντες τοπικούς και εθνικούς κανονισμούς.

2. Τα καλώδια τροφοδοσίας και τα καλώδια σύνδεσης εσωτερικής μονάδας/εξωτερικής μονάδας δεν πρέπει να είναι ελαφρύτερα από το εύκαμπτο καλώδιο με περίβλημα πολυχλωροπρενίου. (Πρότυπο 60245 IEC 57)

3. Το καλώδιο γείωσης πρέπει να είναι μακρύτερο από τα άλλα καλώδια.

4. Χρησιμοποιήστε αυτοσβενόμενα καλώδια διανομής για την καλωδίωση τροφοδοσίας.

5. Δρομολογήστε σωστά την καλωδίωση έτσι ώστε να μην έρχεται σε επαφή με την άκρη του μεταλλικού ελάσματος ή με τις αιχμές των βιδών.



### ΠΡΟΕΙΔΟΠΟΙΗΣΗ:

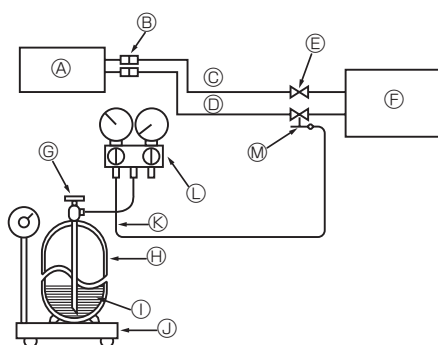
Υπάρχει κίνδυνος υψηλής τάσης στο τερματικό S3 που προκαλείται όταν το ηλεκτρικό κύκλωμα δεν παρέχει μόνωση μεταξύ της γραμμής τροφοδοσίας και της γραμμής μετάδοσης σήματος. Επομένως, στη διάρκεια συντήρησης ή επισκευών, αποσυνδέστε την κύρια πηγή τροφοδοσίας. Μην αγγίζετε τα τερματικά S1, S2, S3 όταν επανέλθει η τροφοδοσία. Αν πρέπει να χρησιμοποιηθεί αποξεύκτης μεταξύ εσωτερικής μονάδας και εξωτερικής μονάδας, συνιστάται να είναι τριπολικού τύπου.

Ποτέ μη συγκολλήσετε το καλώδιο τροφοδοσίας ή το καλώδιο σύνδεσης εσωτερικής-εξωτερικής μονάδας, διαφορετικά μπορεί να προκληθεί καπνός, πυρκαγιά ή σφάλμα επικοινωνίας.

Προσέξτε να συνδέσετε τα εσωτερικά-εξωτερικά καλώδια σύνδεσης κατευθείαν στις μονάδες (χωρίς ενδιάμεση σύνδεση).

Οι ενδιάμεσες συνδέσεις μπορεί να οδηγήσουν σε σφάλματα επικοινωνίας αν εισχωρήσει νερό στα καλώδια και προκαλέσει ανεπαρκή μόνωση γείωσης ή κακή ηλεκτρική επαφή στο σημείο της ενδιάμεσης σύνδεσης.

## 7. Συντήρηση



- |   |   |
|---|---|
| (A) Εσωτερική μονάδα                                  | (H) Ψυκτικός κύλινδρος αερίου R32 με σιφόν          |
| (B) Ένωση   | (I) Ψυκτικό (υγρό)                                  |
| (C) Σωλήνας υγρού                                     | (J) Ηλεκτρονική κλίμακα για την τροφοδοσία ψυκτικού |
| (D) Σωλήνας αερίου                                    | (K) Εύκαμπτος σωλήνας φόρτισης (για R32)            |
| (E) Βαλβίδα στοπ                                      | (L) Μετρητής πολλαπλών διόδων (για R32)             |
| (F) Εξωτερική μονάδα                                  | (M) Άνοιγμα συντήρησης                              |
| (G) Βαλβίδα λειτουργίας αερίου του ψυκτικού κυλίνδρου |   |

Fig. 7-1

### 7.1. Ποσότητα αερίου (Fig. 7-1)

1. Συνδέστε τον κύλινδρο αερίου στη θύρα επισκευών της βαλβίδας διακοπής (3 δρόμων).
2. Εξαερώστε το σωλήνα (ή τον εύκαμπτο σωλήνα) που βγαίνει από τον κύλινδρο αερίου.
3. Γεμίστε συγκεκριμένη ποσότητα ψυκτικού, ενόσω η αντλία θερμότητας αέρα νερού βρίσκεται στη λειτουργία ψύξης.

**Σημείωση:**

Στην περίπτωση που θα προσθέσετε ψυκτικό μέσο, να τηρήσετε την ποσότητα που προσδιορίζεται για τον ψυκτικό κύκλο.

### ΠΡΟΣΟΧΗ:

- Μην αφήνετε το ψυκτικό να εκφορτιστεί στην ατμόσφαιρα. Προσέξτε να μην εκφορτιστεί ψυκτικό στην ατμόσφαιρα κατά την εγκατάσταση, την επανεγκατάσταση ή στη διάρκεια επισκευών στο κύκλωμα ψυκτικού.
- Για επιπρόσθετη φόρτιση, αλλάξτε το ψυκτικό από τη φάση υγρού του κυλίνδρου αερίου. Εάν το ψυκτικό φορτισθεί ενώ βρίσκεται στη φάση αερίου, μπορεί να πραγματοποιηθεί αλλοίωση στη σύνθεση του ψυκτικού που ήδη βρίσκεται μέσα στον κύλινδρο και στην εξωτερική μονάδα. Στην περίπτωση αυτή, η ικανότητα του κύκλου ψύξης μειώνεται, διαφορετικά δεν είναι δυνατή η ομαλή λειτουργία. Εν τούτοις, συμπληρώνοντας το υγρό ψυκτικό όλο μονομιάς μπορεί να φράξει το συμπιεστή. Γι' αυτό συμπληρώστε το ψυκτικό σιγά-σιγά.

Κατά την διάρκεια των ψυχρών μηνών για να διατηρήσετε την υψηλή πίεση στον κύλινδρο αερίου, ζεστανέτε τον με χλιαρό νερό (κάτω των 40°C). Ποτέ όμως μην χρησιμοποιήσετε φωτιά ή ατμό.

## 8. Εργασίες σωληνώσεων νερού

### 8.1. Ελάχιστη ποσότητα νερού

Ανατρέξτε στο εγχειρίδιο εγκατάστασης της εσωτερικής μονάδας.

### 8.2. Διαθέσιμο εύρος (Παροχή νερού, θερμοκρ. νερού επιστροφής)

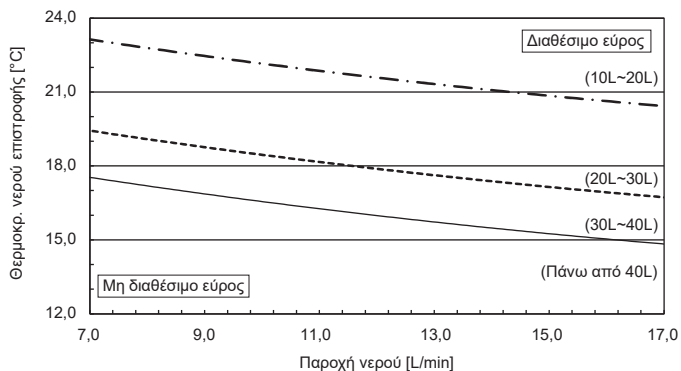
Διασφαλίστε την ακόλουθη παροχή νερού και το ακόλουθο εύρος θερμοκρασίας νερού επιστροφής στο κύκλωμα νερού.

Αυτές οι καμπύλες σχετίζονται με την ποσότητα νερού.

#### ■ Θέρμανση

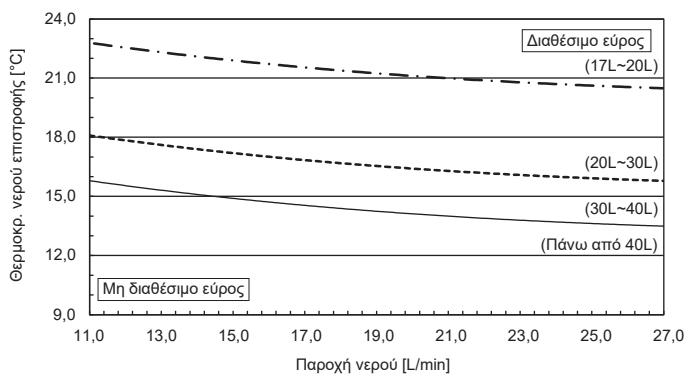
SUZ-SWM30VA SUZ-SHWM30VAH  
SUZ-SWM40VA2 SUZ-SHWM40VAH  
SUZ-SWM60VA2

Ελάχιστη θερμοκρασία νερού επιστροφής λόγω της ποσότητας νερού του συστήματος



SUZ-SWM80VA(H)2  
SUZ-SWM100VA(H)  
SUZ-SHWM60VAH

Ελάχιστη θερμοκρασία νερού επιστροφής λόγω της ποσότητας νερού του συστήματος



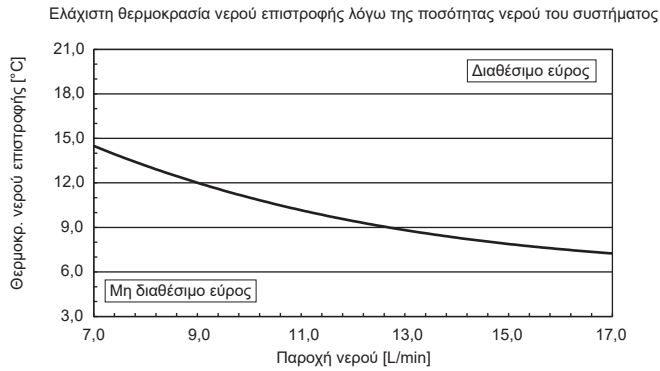
#### Σημείωση:

- Αποφύγετε το μη διαθέσιμο εύρος κατά την απόψυξη.
- Διαφορετικά, η απόψυξη της εξωτερικής μονάδας δεν θα γίνει επαρκώς ή/και ο εναλλάκτης θερμότητας της εσωτερικής μονάδας μπορεί να παγώσει.
- Η θερμοκρασία ροής ΠΡΕΠΕΙ πάντα να είναι 32°C ή υψηλότερη όταν η εξωτερική θερμοκρασία πέφτει κάτω από τους -15°C.
- Υπάρχει κίνδυνος ο πλακοειδής εναλλάκτης θερμότητας να παγώσει και να υποστεί ζημιά. Επίσης, ο εξωτερικός εναλλάκτης θερμότητας ενδέχεται να παγώσει επειδή δεν αποψύχεται επαρκώς.

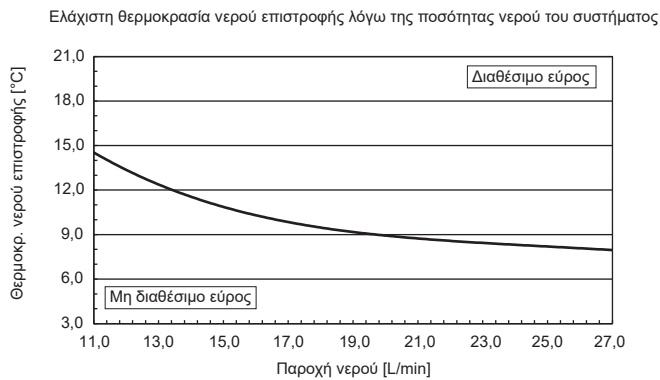
## 8. Εργασίες σωληνώσεων νερού

### ■ Ψύξη

SUZ-SWM30VA    SUZ-SHWM30VAH  
SUZ-SWM40VA2    SUZ-SHWM40VAH  
SUZ-SWM60VA2



SUZ-SWM80VA(H)2  
SUZ-SWM100VA(H)  
SUZ-SHWM60VAH



#### Σημείωση:

Αποφύγετε το μη διαθέσιμο εύρος κατά την απόψυξη.

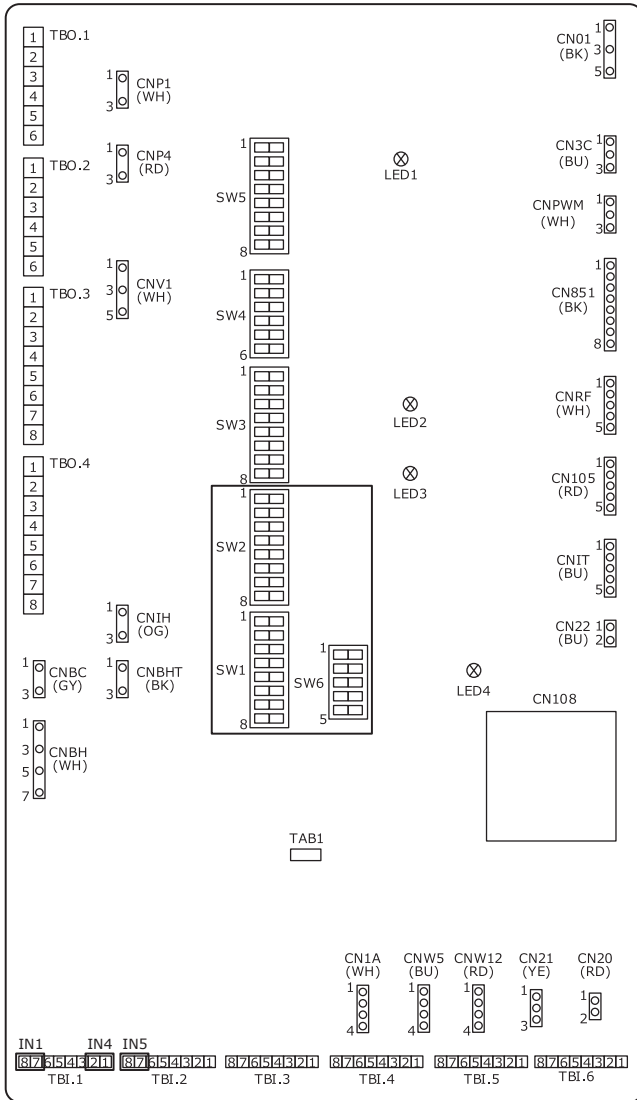
Διαφορετικά, η απόψυξη της εξωτερικής μονάδας δεν θα γίνει επαρκώς ή/και ο εναλλάκτης θερμότητας της εσωτερικής μονάδας μπορεί να παγώσει.



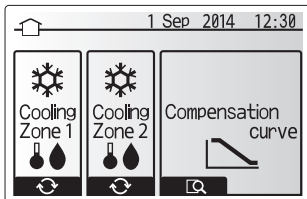
## 9. Συμπιεση

Αν πρόκειται να αλλάξετε θέση ή να απορρίψετε την εξωτερική μονάδα, αδειάστε το σύστημα ακολουθώντας την παρακάτω διαδικασία έτσι ώστε να μην απελευθερωθεί ψυκτικό στην ατμόσφαιρα.

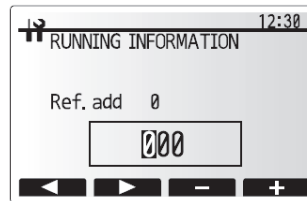
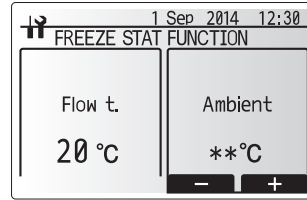
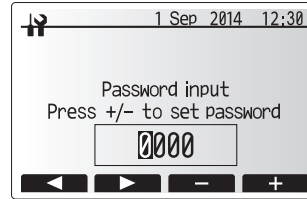
- ① ΑΠΕΝΕΡΓΟΠΟΙΗΣΤΕ πλήρως το κύκλωμα παροχής (συμπεριλαμβανόμενης της εσωτερικής μονάδας, της εξωτερικής μονάδας κ.ά.)
- ② Συνδέστε τη βαλβίδα του πολλαπλού μετρητή στη θύρα συντήρησης της ανασταλτικής βαλβίδας στην πλευρά του σωλήνα αερίου της εξωτερικής μονάδας.
- ③ Κλείστε πλήρως την ανασταλτική βαλβίδα στην πλευρά του σωλήνα ψυκτικού υγρού της εξωτερικής μονάδας.
- ④ Αλλάξτε τις ρυθμίσεις στην εσωτερική μονάδα.
  - Ρυθμίστε το διακόπτη DIP SW1-3 στη θέση OFF, τον SW2-1 στη θέση OFF, τον SW2-4 στη θέση ON και τον SW6-3 στη θέση OFF τον εσωτερικό πίνακα ελέγχου.
  - Αποσυνδέστε τις εισόδους σήματος IN1 (είσοδος θερμοστάτη δωματίου 1), IN4 (είσοδος ελέγχου ρύθμισης) και IN5 (είσοδος εξωτερικού θερμοστάτη).



- ⑤ ΕΝΕΡΓΟΠΟΙΗΣΤΕ πλήρως το κύκλωμα παροχής.
- ⑥ Από το κύριο μενού του βασικού τηλεχειριστηρίου της εσωτερικής μονάδας, επιλέξτε "Heating/cooling mode" → "Cooling flow temp."



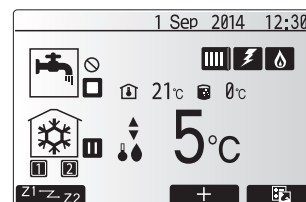
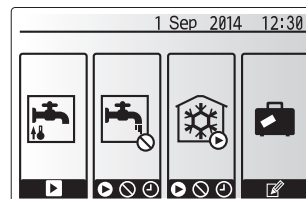
- ⑦ Από το κύριο μενού, επιλέξτε "Service" και αλλάξτε τη ρύθμιση όπως παρακάτω. Θα σας ζητηθεί να καταχωρίσετε έναν κωδικό πρόσβασης. Ο ΠΡΟΕΠΙΛΕΓΜΕΝΟΣ ΕΡΓΟΣΤΑΣΙΑΚΟΣ ΚΩΔΙΚΟΣ ΠΡΟΣΒΑΣΗΣ είναι "0000".
  - Επιλέξτε "Operation settings" → "Freeze stat function" και, στη συνέχεια, ορίστε την ελάχιστη θερμοκρασία εξωτερικού περιβάλλοντος σε \*(αστερίσκος).
  - Επιλέξτε "Running information" και, στη συνέχεια, ορίστε τη διεύθυνση αναφοράς σε 351.



- ⑧ Εκτελέστε τη διαδικασία συλλογής ψυκτικού υγρού.
  - Πιέστε το κουμπί "ON/OFF" στο βασικό τηλεχειριστήριο.
  - Από το μενού επιλογών, επιλέξτε "Cooling ON".
  - Ορίστε την επιθυμητή ροή θερμοκρασίας στους 5 °C. Αν το σύστημα ελέγχεται από κάποιον θερμοστάτη δωματίου, ορίστε την επιθυμητή θερμοκρασία δωματίου στους 10 °C.

Η διαδικασία συλλογής ψυκτικού υγρού ξεκινά μετά από 60 δευτερόλεπτα.

  - Για λεπτομέρειες ή άλλες πληροφορίες σχετικά με τις ρυθμίσεις του βασικού τηλεχειριστηρίου, ανατρέξτε στο εγχειρίδιο εγκατάστασης ή λειτουργίας της εσωτερικής μονάδας.



Συνεχίζεται στην επόμενη σελίδα.

## 9. Συμπίεση

- ⑨ Κλείστε πλήρως τη βαλβίδα στοπ στην πλευρά σωλήνα αερίου της εξωτερικής μονάδας όταν το πιεσόμετρο δείξει 0,05 έως 0 MPa [Μετρητής] (περίπου 0,5 έως 0 kgf/cm<sup>2</sup>) και διακόψτε γρήγορα τη λειτουργία της εξωτερικής μονάδας.
- Πιέστε το κουμπί "ON/OFF" στο τηλεχειριστήριο, για να διακόψετε τη λειτουργία της εξωτερικής μονάδας.
  - \* Λάβετε υπόψη σας ότι όταν οι σωληνώσεις επέκτασης είναι πολύ μακριές και έχουν μεγάλες ποσότητες ψυκτικού υγρού, ενδέχεται να μην είναι δυνατή η εκτέλεση της διαδικασίας εκκένωσης. Σε αυτήν την περίπτωση, χρησιμοποιήστε εξοπλισμό ανάκτησης ψυκτικού υγρού, για να συλλέξετε όλο το ψυκτικό υγρό του συστήματος.
- ⑩ Επαναφέρατε τη ρύθμιση του βασικού τηλεχειριστηρίου που αλλάξατε στην παραπάνω διαδικασία ⑧.
- ⑪ Πιέστε το κουμπί "ON/OFF" για περίπου 3 δευτερόλεπτα στο βασικό τηλεχειριστήριο της εσωτερικής μονάδας, για να διακόψετε τη λειτουργία της μονάδας.
- ⑫ Επαναφέρατε τις ρυθμίσεις του βασικού τηλεχειριστηρίου που αλλάξατε σε άλλες διαδικασίες εκτός της διαδικασίας ⑧.
- \* Τρόπος επαναφοράς ρύθμισης "Running information": Ορίστε τη διεύθυνση αναφοράς σε 350.
- ⑬ ΑΠΕΝΕΡΓΟΠΟΙΗΣΤΕ πλήρως το κύκλωμα παροχής και επαναφέρατε τις αρχικές ρυθμίσεις των διακοπών DIP στην πλακέτα της εσωτερικής μονάδας.
- ⑭ Αφαιρέστε τη βαλβίδα του μετρητή πολλαπλών διόδων και, στη συνέχεια, αποσυνδέστε τους σωλήνες ψυκτικού.



### ΠΡΟΕΙΔΟΠΟΙΗΣΗ:

Όταν το κύκλωμα ψύξης έχει διαρροή, ΜΗΝ εκτελείτε εκκένωση με τον συμπιεστή.

Κατά την εκκένωση του ψυκτικού, σταματήστε το συμπιεστή πριν αποσυνδέσετε τους σωλήνες ψυκτικού.

- Αν οι σωλήνες ψυκτικού αποσυνδεθούν ενώ λειτουργεί ο συμπιεστής και η βαλβίδα διακοπής (σφαιρική βαλβίδα) είναι ανοιχτή, η πίεση του κύκλου ψύξης μπορεί να φτάσει σε πολύ υψηλά επίπεδα καθώς εισέρχεται ο αέρας, γεγονός που μπορεί να προκαλέσει έκρηξη των σωλήνων, τραυματισμό κ.τ.λ.



### ΠΡΟΣΟΧΗ:

ΜΗΝ χρησιμοποιείτε αυτήν τη λειτουργία ΨΥΞΗΣ κατά τη σύνδεση σε εσωτερική μονάδα που δεν επιτρέπει τη λειτουργία ΨΥΞΗΣ για οποιονδήποτε άλλο σκοπό εκτός από την εκκένωση.

## 10. Προδιαγραφές

Εξωτερικό μοντέλο		SUZ-SWM30VA	SUZ-SHWM30VAH	SUZ-SWM40VA2	SUZ-SHWM40VAH	SUZ-SWM60VA2
Παροχή ρεύματος	V / Φάση / Hz	230 / Μονό / 50				
Διαστάσεις (Π × Υ × Μ)	mm	800 × 714 × 285				
Επίπεδο ισχύος ήχου (Θέρμανση)	*1 dB(A)	57	57	57	58	60
	*2 dB(A)	54	54	54	55	56

Εξωτερικό μοντέλο		SUZ-SHWM60VAH	SUZ-SWM80VA(H)2	SUZ-SWM100VA(H)
Παροχή ρεύματος	V / Φάση / Hz	230 / Μονό / 50		
Διαστάσεις (Π × Υ × Μ)	mm	840 × 880 × 330		
Επίπεδο ισχύος ήχου (Θέρμανση)	*1 dB(A)	60	60	62
	*2 dB(A)	58	59	60

\*1. Μετρήθηκε υπό ονομαστική συχνότητα λειτουργίας σε θερμοκρασία περιβάλλοντος ξηρού βολβού 7°C/υγρού βολβού 6°C και εξόδου νερού 55°C

\*2. Μετρήθηκε σύμφωνα με το EN12102 υπό τις συνθήκες του EN14825

EU DECLARATION OF CONFORMITY  
EU-KONFORMITÄTSEKTLÄRUNG  
DÉCLARATION DE CONFORMITÉ UE  
EU-CONFORMITEITSVERKLARING  
DECLARACIÓN DE CONFORMIDAD UE  
DICHIARAZIONE DI CONFORMITÀ UE  
ΔΗΛΩΣΗ ΣΥΜΜΟΡΦΩΣΗΣ ΕΕ  
DECLARAÇÃO DE CONFORMIDADE UE  
EU-OVERENSSTEMMELSESEKTLÆRING

EG-DEKLARATION OM ÖVERENSSTÄMMELSE  
AV UYGUNLUK BEYAN  
ДЕКЛАРАЦИЯ СООТВЕТСТВИЯ НОРМАМ ЕС  
ДЕКЛАРАЦІЯ ВІДПОВІДНОСТІ ВИМОГАМ ЄС  
ЕС ДЕКЛАРАЦІЯ ЗА СЪОТВЕТСТВИЕ  
DEKLARACJA ZGODNOŚCI UE  
EU-ERKLÆRING OM SAMSVAR  
EU-VAATIMUSTENMUKAISUUSVAKUUTUS  
EU PROHLÁŠENÍ O SHODĚ

EÚ VYHLÁSENIE O ZHODE  
EU MEGFELELŐSÉGI NYILATKOZAT  
IZJAVA EU O SKLADNOSTI  
DECLARAȚIE DE CONFORMITATE UE  
EL-I VASTAVUSDEKLARATSIOON  
ES ATBILSTĪBAS DEKLARĀCIJA  
ES ATITIKTIES DEKLARACIJA  
EU IZJAVA O SUKLADNOSTI  
EU IZJAVA O USAGLAŠENOSTI

**MITSUBISHI ELECTRIC CONSUMER PRODUCTS (THAILAND) CO., LTD**  
**700/406 MOO 7, TAMBON DON HUA ROH, AMPHUR MUANG, CHONBURI 20000, THAILAND**

hereby declares under its sole responsibility that the air conditioner(s) and heat pump(s) for use in residential, commercial, and light-industrial environments described below:  
erklärt hiermit auf seine alleinige Verantwortung, dass die Klimaanlage(n) und Wärmepumpe(n) für das häusliche, kommerzielle und leichtindustrielle Umfeld wie unten beschrieben:  
déclare par la présente et sous sa propre responsabilité que le(s) climatiseur(s) et la/les pompe(s) à chaleur destinés à un usage dans des environnements résidentiels, commerciaux et d'industrie légère décrits ci-dessous :  
verklaart hierbij onder eigen verantwoordelijkheid dat de voor huishoudelijke, handels- en lichtindustriële omgevingen bestemde airconditioner(s) en warmtepomp(en) zoals onderstaand beschreven:

por la presente declara, bajo su exclusiva responsabilidad, que el(los) acondicionador(es) de aire y la(s) bomba(s) de calor previsto(s) para su uso en entornos residenciales, comerciales y de industria ligera que se describen a continuación:

conferma con la presente, sotto la sua esclusiva responsabilità, che i condizionatori d'aria e le pompe di calore destinati all'utilizzo in ambienti residenziali, commerciali e semi-industriali e descritti di seguito:

με το παρόν δηλώνει με αποκλειστική ευθύνη ότι το ή τα κλιματιστικά και η ή οι αντλίες θερμότητας για χρήση σε οικιακά, εμπορικά και επαγγελματικά περιβάλλοντα που περιγράφονται παρακάτω:

declara pela presente, e sob sua exclusiva responsabilidade, que o(s) aparelho(s) de ar condicionado e a(s) bomba(s) de calor destinados a utilização em ambientes residenciais, comerciais e de indústria ligeira descritos em seguida:

erklærer hermed under eneansvar, at det/de herunder beskrevne airconditionanlæg og varmepumpe(r) til brug i beboelses- og erhvervs miljøer samt i miljøer med let industri:

intyggar härmed att luftkonditioneringarna och värmepumparna som beskrivs nedan för användning i bostäder, kommersiella miljöer och lätta industriella miljöer:

ev, ticaret ve hafif sanayi ortamlarında kullanıma yönelik aşağıda açıklanan klima ve ısıtma pompalarıyla ilgili aşağıdaki hususları yalnızca kendi sorumluluğunda olmak üzere beyan eder:

настоящим заявляет под свою исключительную ответственность, что кондиционер (-ы) и тепловой (-ые) насос (-ы) для использования в описанных ниже жилых, коммерческих и небольших складских и промышленных помещениях:

цим заявляю, беручи на себе повну відповідальність за це, що кондиціонер (-и) й тепловий (-и) насос (-и), описані нижче й призначені для використання в житлових приміщеннях, торговельних залах і на підприємствах легкої промисловості:

декларира с настоящата на своя собствена отговорност, че климатикъ(т)е и термомпата(ите), посочени по-долу и предназначени за употреба в жилищни, търговски и лекопромишлени среди:

niniejszym oświadczam na swoją wyłączną odpowiedzialność, że klimatyzatory i pompy ciepła do zastosowań w środowisku mieszkalnym, handlowym i lekko przemysłowym opisane poniżej:

erklærer et fullstendig ansvar for undernevnte klimaapparat og varmepumper ved bruk i boliger, samt kommersielle og lettindustrielle miljøer:

vakuuttaa täten yksinomaista vastuutaan, että jäljempänä kuvutat asuinrakennuksiin, pienteeollisuuskäyttöön ja kaupalliseen käyttöön tarkoitettuihin ilmastointilaitteisiin ja lämpöpumpuihin:

tímto na vlastní odpovědnost prohlašuji, že níže popsané klimatizační jednotky a tepelná čerpadla pro použití v obytných prostředích, komerčních prostředích a prostředích lehkého průmyslu:

týmto na svoju výlučnú zodpovednosť vyhlasuje, že nasledovné klimatizačné jednotky a tepelné čerpadlá určené na používanie v obytných a obchodných priestoroch a v prostredí ľahkého priemyslu:

alulírott kizárólagos felelősségére nyilatkozik, hogy az alábbi lakossági, kereskedelmi és kisipari környezetben való használatra szánt klímaberendezés(ek) és hőszivattyú(k):

na lastno odgovornost izjavlja, da so spodaj opisane klimatske naprave in toplotne črpalke, namenjene za uporabo v stanovanjskih, poslovnih in lahkoindustrijskih okoljih:

declară prin prezenta, pe proprie răspundere, faptul că aparatele de climatizare și pompele de căldură descrise mai jos și destinate utilizării în medii rezidențiale, comerciale și din industria ușoară:

kinnitab oma ainuvastutust, et allpool toodud elu-, äri- ja kergtööstuskeskkondades kasutamiseks mõeldud kliimaseadmed ja soojuspumbad:

ar šo, vienpersoniski uzņemoties atbildību, paziņo, ka tālāk aprakstītais(-tie) gaisa kondicionētājs(-i) un siltumsūkņis(-i) ir paredzēti lietošanai dzīvojamajās, komercdarbības un vieglās rūpniecības telpās, kas aprakstītas tālāk:

šiuo vien tik savo atsakomybe pareiškia, kad toliau apibūdintas (-i) oro kondicionierius (-iai) ir šilumos siurblys (-iai), skirtas (-i) naudoti toliau apibūdintose gyvenamosiose, komercinėse ir lengvosios pramonės aplinkose:

ovime izjavljuje pod isključivom odgovornošću da je/su klimatizacijski uređaji(i) i toplinska dizalica(e) opisan(i) u nastavku namijenjen(i) za upotrebu u stambenim i poslovnim okruženjima te okruženjima lake industrije:

ovim izjavljuje na svoju isključivu odgovornost da su klima-uređaji i toplotne pumpe za upotrebu u stambenim, komercijalnim okruženjima i okruženjima lake industrije opisani u nastavku:

**MITSUBISHI ELECTRIC, SUZ-SWM30VA\*, SUZ-SWM40VA\*, SUZ-SWM60VA\*, SUZ-SWM80VA\*, SUZ-SWM100VA\***  
**SUZ-SHWM30VAH\*, SUZ-SHWM40VAH\*, SUZ-SHWM60VAH\*, SUZ-SWM80VAH\*, SUZ-SWM100VAH\***  
**\* : , , 1, 2, 3, , , , 9**

is/are in conformity with provisions of the following Union harmonisation legislation.  
die Bestimmungen der folgenden Harmonisierungsrechtsvorschriften der Union erfüllen/

erfüllen.  
est/sont conforme(s) aux dispositions de la législation d'harmonisation de l'Union

suivante.  
voldoet/voldoen aan bepalingen van de volgende harmonisatiewetgeving van de Unie.

cumple(n) con las disposiciones de la siguiente legislación de armonización de la Unión.

sono in conformità con le disposizioni della seguente normativa dell'Unione sull'armonizzazione.

συμμορφώνονται με τις διατάξεις της ακόλουθης νομοθεσίας εναρμόνισης της Ένωσης.

está/estão em conformidade com as disposições da seguinte legislação de harmonização da União.

er i overensstemmelse med bestemmelse i følgende harmoniserede EU-lovgivning.

uppfyller villkoren i följande harmoniserade föreskrifter inom unionen.

აşağıdaki Avrupa Birliği uyumlaştırma mevzuatının hükümlerine uygundur.

соответствуют положениям следующих законодательных актов Союза о гармонизации.

2014/35/EU: Low Voltage Directive  
2006/42/EC: Machinery Directive  
2014/30/EU: Electromagnetic Compatibility Directive  
2011/65/EU, (EU) 2015/863 and (EU) 2017/2102: RoHS Directive  
2009/125/EC: Energy-related Products Directive and Regulation (EU) No 813/2013

відповідають положенням вказаного далі законодавства Союзу щодо гармонізації.  
е/са в съответствие с разпоредбите на следното законодателство на Съюза за

хармонизация.  
są zgodne z przepisami następującego unijnego prawodawstwa harmonizacyjnego.

er i samsvar med forskriftene til følgende EU-lovgivning om harmonisering.

ovat seuraavan unionin yhdenmukaistamislainsäädännön säännösten mukaisia.

jsou v souladu s ustanoveními následujících harmonizačních právních předpisů Unie.

spĺňajú ustanovenia nasledujúcich harmonizovaných noriem EÚ.

megfelel(nek) az Unió alábbi harmonizációs jogszabályi előírásainak.

in skladu z določbami naslednje usklajevalne zakonodaje Unije.

sunt în conformitate cu dispozițiile următoare legislații de armonizare a Uniunii.

vastavad järgmiste Euroopa Liidu ühtlustatud õigusaktide sätetele.

atbilst šādiem ES harmonizētājiem tiesību aktu noteikumiem.

taip pat atitinka kitų toliau išvardytų suderintųjų Sąjungos direktyvų nuostatas.

sukladan(i) odredbama sljedećeg zakonodavstva Unije za sukladnost.

u skladu sa odredbama sledećeg usklađivanja zakonodavstva Unije.

## <ENGLISH>

English is original. The other languages versions are translation of the original.

### ▲ CAUTION

- Refrigerant leakage may cause suffocation. Provide ventilation in accordance with EN378-1.
- Be sure to wrap insulation around the piping. Direct contact with the bare piping may result in burns or frostbite.
- Never put batteries in your mouth for any reason to avoid accidental ingestion.
- Battery ingestion may cause choking and/or poisoning.
- Install the unit on a rigid structure to prevent excessive operation sound or vibration.
- The A-weighted sound pressure level is below 70dB.
- This appliance is intended to be used by expert or trained users in shops, in light industry and on farms, or for commercial use by lay persons.

## <DEUTSCH>

Das Original ist in Englisch. Die anderen Sprachversionen sind vom Original übersetzt.

### ▲ VORSICHT

- Wenn Kältemittel austritt, kann dies zu Ersticken führen. Sorgen Sie in Übereinstimmung mit EN378-1 für Durchlüftung.
- Die Leitungen müssen isoliert werden. Direkter Kontakt mit nicht isolierten Leitungen kann zu Verbrennungen oder Erfrierungen führen.
- Nehmen Sie niemals Batterien in den Mund, um ein versehentliches Verschlucken zu vermeiden.
- Durch das Verschlucken von Batterien kann es zu Ersticken und/oder Vergiftungen kommen.
- Installieren Sie das Gerät auf einem stabilen Untergrund, um übermäßige Betriebsgeräusche oder -schwingungen zu vermeiden.
- Der A-gewichtete Schalldruckpegel ist niedriger als 70dB.
- Dieses Gerät ist vorgesehen für die Nutzung durch Fachleute oder geschultes Personal in Werkstätten, in der Leichtindustrie und in landwirtschaftlichen Betrieben oder für die kommerzielle Nutzung durch Laien.

## <FRANÇAIS>

L'anglais est l'original. Les versions fournies dans d'autres langues sont des traductions de l'original.

### ▲ PRECAUTION

- Une fuite de réfrigérant peut entraîner une asphyxie. Fournissez une ventilation adéquate en accord avec la norme EN378-1.
- Assurez-vous que la tuyauterie est enveloppée d'isolant. Un contact direct avec la tuyauterie nue peut entraîner des brûlures ou des engelures.
- Ne mettez jamais des piles dans la bouche pour quelque raison que ce soit pour éviter de les avaler par accident.
- Le fait d'ingérer des piles peut entraîner un étouffement et/ou un empoisonnement.
- Installez l'appareil sur une structure rigide pour prévenir un bruit de fonctionnement et une vibration excessifs.
- Le niveau de pression acoustique pondéré est en dessous de 70 dB.
- Cet appareil est conçu pour un utilisateur expert ou les utilisateurs formés en magasin, dans l'industrie légère et dans l'agriculture ou dans le commerce par le profane.

## <NEDERLANDS>

Het Engels is het origineel. De andere taalversies zijn vertalingen van het origineel.

### ▲ VOORZICHTIG

- Het lekken van koelvoelstof kan verstikking veroorzaken. Zorg voor ventilatie in overeenstemming met EN378-1.
- isoleer de leidingen met isolatiemateriaal. Direct contact met de onbedekte leidingen kan leiden tot brandwonden of bevriezing.
- Stop nooit batterijen in uw mond om inslikking te voorkomen.
- Het inslikken van batterijen kan verstikking of vergiftiging veroorzaken.
- Installeer het apparaat op een stabiele structuur om overmatig lawaai of trillingen te voorkomen.
- Het niveau van de geluidsdruk ligt onder 70 dB(A).
- Dit apparaat is bedoeld voor gebruik door ervaren of opgeleide gebruikers in werkplaatsen, in de lichte industrie en op boerderijen, of voor commercieel gebruik door leken.

## <ESPAÑOL>

El idioma original del documento es el inglés. Las versiones en los demás idiomas son traducciones del original.

### ▲ CUIDADO

- Las pérdidas de refrigerante pueden causar asfixia. Se debe proporcionar la ventilación determinada en EN378-1.
- Asegúrese de colocar el aislante alrededor de las tuberías. El contacto directo con la tubería puede ocasionar quemaduras o congelación.
- Para evitar una ingestión accidental, no coloque las pilas en su boca bajo ningún concepto.
- La ingestión de las pilas puede causar asfixia y/o envenenamiento.
- Coloque la unidad en una estructura rígida para evitar que se produzcan sonidos o vibraciones excesivos debidos a su funcionamiento.
- El nivel de presión acústica ponderado A es inferior a 70 dB.
- Este aparato está destinado a su uso por parte de usuarios expertos o capacitados en talleres, industrias ligeras y granjas, o a su uso comercial por parte de personas no expertas.

## <ITALIANO>

Il testo originale è redatto in lingua Inglese. Le altre versioni linguistiche rappresentano traduzioni dell'originale.

### ▲ ATTENZIONE

- Le perdite di refrigerante possono causare asfissia. Prevedere una ventilazione adeguata in conformità con la norma EN378-1.
- Accertarsi di applicare materiale isolante intorno alle tubature. Il contatto diretto con le tubature non schermate può provocare ustioni o congelamento.
- Non introdurre in nessun caso le batterie in bocca onde evitare ingestioni accidentali.
- L'ingestione delle batterie può provocare soffocamento e/o avvelenamento.
- Installare l'unità su una struttura rigida in modo da evitare rumore o vibrazioni eccessivi durante il funzionamento.
- Il livello di pressione del suono ponderato A è inferiore a 70dB.
- Questa apparecchiatura è destinata all'utilizzo da parte di utenti esperti o addestrati in negozi, industria leggera o fattorie oppure a un uso commerciale da parte di persone non esperte.

## <ΕΛΛΗΝΙΚΑ>

Η γλώσσα του πρωτοτύπου είναι η αγγλική. Οι εκδόσεις άλλων γλωσσών είναι μεταφράσεις του πρωτοτύπου.

### ▲ ΠΡΟΣΟΧΗ

- Η διαρροή του ψυκτικού ενδέχεται να προκαλέσει ασφυξία. Φροντίστε για τον εξαερισμό σύμφωνα με το πρότυπο EN378-1.
- Φροντίστε να τυλίξετε με μονωτικό υλικό τη σωλήνωση. Η απευθείας επαφή με τη γυμνή σωλήνωση ενδέχεται να προκαλέσει εγκαυματα ή κρυοπαγήματα.
- Μη βάζετε ποτέ τις μπαταρίες στο στόμα σας για κανένα λόγο ώστε να αποφύγετε την κατά λάθος κατάποσή τους.
- Η κατάποση μπαταριών μπορεί να προκαλέσει πνιγμό ή/και δηλητηρίαση.
- Εγκαταστήστε τη μονάδα σε σταθερή κατασκευή ώστε να αποφύγετε τον έντονο ήχο λειτουργίας ή τους κραδασμούς.
- Η Α-σταθμισμένη στάθμη ηχητικής πίεσης είναι κάτω των 70dB.
- Η Α-σταθμισμένη στάθμη ηχητικής πίεσης είναι κάτω των 70dB.
- Η συσκευή αυτή προορίζεται για χρήση από εμπειροπρόσωπους ή εκπαιδευμένους χρήστες σε καταστήματα, στην ελαφριά βιομηχανία και σε αγροκτήματα, ή για εμπορική χρήση από άτομα τα οποία δεν είναι ειδήμονες.

## <PORTUGUÊS>

O idioma original é o inglês. As versões em outros idiomas são traduções do idioma original.

### ▲ CUIDADO

- A fuga de refrigerante pode causar asfíxia. Garanta a ventilação em conformidade com a norma EN378-1.
- Certifique-se de que envolve as tubagens com material de isolamento. O contacto directo com tubagens não isoladas pode resultar em queimaduras ou ulcerações provocadas pelo frio.
- Nunca coloque pilhas na boca, por nenhum motivo, para evitar a ingestão accidental.
- A ingestão de uma pilha pode causar obstrução das vias respiratórias e/ou envenenamento.
- Instale a unidade numa estrutura robusta, de forma a evitar ruídos ou vibrações excessivos durante o funcionamento.
- O nível de pressão sonora ponderado A é inferior a 70 dB.
- Este equipamento destina-se a ser utilizado por especialistas ou utilizadores com formação em lojas, na indústria ligeira e em quintas, ou para utilização comercial por leigos.

## <DANSK>

Engels er originalen. De andre sprogversioner er oversættelser af originalen.

### ▲ FORSIGTIG

- Lækage af kølemiddel kan forårsage kvælning. Sørg for udluftning i overensstemmelse med EN378-1.
- Sørg for at pakke rørene ind i isolering. Direkte kontakt med ubeklædte rør kan forårsage forbrændinger eller forfrysninger.
- Batterier må under ingen omstændigheder tages i munden for at forhindre utilsigtet indtagelse.
- Indtagelse af batterier kan forårsage kvælning og/eller forgiftning.
- Installer enheden på en fast struktur for at forhindre for høje driftslyde eller vibrationer.
- Det A-vægtede lydtrykniveau er under 70dB.
- Dette apparat er beregnet til at blive brugt af eksperter eller udlærte brugere i butikker, inden for let industri og på gårde eller til kommerciel anvendelse af lægmænd.

## <SVENSKA>

Engelska är originalspråket. De övriga språkversionerna är översättningar av originalet.

### ▲ FÖRSIKTIGHET

- Köldmedelsläckage kan leda till kvävning. Tillhandahåll ventilation i enlighet med EN378-1.
- Kom ihåg att linda isolering runt rören. Direktkontakt med bara rör kan leda till brännskador eller köldskador.
- Stoppa aldrig batterier i munnen, de kan sväljas av misstag.
- Om ett batteri sväljs kan det leda till kvävning och/eller förgiftning.
- Montera enheten på ett stadigt underlag för att förhindra höga drift ljud och vibrationer.
- Den A-vägdade ljudtrycksnivån är under 70dB.
- Denna apparat är ämnad för användning av experter eller utbildade användare i affärer, inom lätt industri och på lanbruk, eller för kommersiell användning av lekmän.

## <TÜRKÇE>

Aslı İngilizce'dir. Diğer dillerdeki sürümler aslının çevirisidir.

### ▲ DİKKAT

- Soğutucu kaçağı boğulmaya neden olabilir. EN378-1 uyarınca uygun havalandırma sağlayın.
- Borular etrafına yalıtım yapıldığından emin olun. Borulara doğrudan çıplak elle dokunulması yanıklara veya soğuk ısırıklarına neden olabilir.
- Kazara yutmamak için, pilleri kesinlikle hiçbir amaçla ağzınızda tutmayın.
- Pillerin yutulması boğulmaya ve/veya zehirlenmeye yol açabilir.
- Aşırı çalıma seslerini veya titreşimi önlemek için, üniteyi sağlam bir yapı üzerine monte edin.
- A ağırıklı ses gücü seviyesi 70dB'nin altındadır.
- Bu cihaz tölöyelerde, hafif endüstriyel tesislerde ve çiftliklerde uzman veya eğitimli kullanıcılar tarafından kullanılmak üzere veya normal kullanıcılar tarafından ticari kullanım için tasarlanmıştır.

## <РУССКИЙ>

Языком оригинала является английский. Версии на других языках являются переводом оригинала.

### ▲ ОСТОРОЖНО

- Утечка хладагента может стать причиной удушья. Обеспечьте вентиляцию в соответствии с EN378-1.
- Обязательно оберните трубы изоляционным материалом. Непосредственный контакт с неизолированным трубопроводом может привести к ожогам или обморожению.
- Запрещается класть элементы питания в рот по каким бы то ни было причинам во избежание случайного проглатывания.
- Попадание элемента питания в пищеварительную систему может стать причиной удушья и/или отравления.
- Устанавливайте устройство на жесткую структуру во избежание чрезмерного шума или чрезмерной вибрации во время работы.
- Уровень звукового давления по шкале А не превышает 70 дБ.
- Данное устройство предназначено для использования специалистами или обученным персоналом в магазинах, на предприятиях легкой промышленности и фермах или для коммерческого применения неспециалистами.

## <УКРАЇНСЬКА>

Переклад оригіналу. Текст іншими мовами є перекладом оригіналу.

### ▲ ОБЕРЕЖНО

- Виток холодагента може призвести до удушся. Необхідно забезпечити вентиляцію відповідно до стандарту EN 378-1.
- Труби необхідно обмотати ізоляційним матеріалом. Прямий контакт із непокритою трубою може призвести до опіку або обмороження.
- Забороняється класти елементи живлення в рот із будь-яких причин, оскільки є ризик випадково їх проковтнути.
- Попадання елемента живлення в травну систему може стати причиною задхуки та/або отруєння.
- Встановлюйте блок на міцній конструкції, щоб уникнути надмірного рівня звуку роботи або вібрації.
- Рівень амплітудно зваженого акустичного тиску становить нижче 70 дБ.
- Цей прилад призначається для використання спеціалістами або особами, що пройшли відповідне навчання, у крамницях, легкій промисловості та сільськогосподарських підприємствах, а також для комерційного використання неспеціалістами.

## <БЪЛГАРСКИ>

Оригиналът е текстът на английски език. Версиите на други езици са преводи на оригинала.

### ▲ ВНИМАНИЕ

- Изтичането на хладилен агент може да причини задушаване. Осигурете вентилация съобразно с EN378-1.
- Не забравяйте да уветите изолация около тръбите. Директният контакт с оголени тръби може да причини изгаряне или измръзване.
- При никакви обстоятелства не поставяйте батериите в устата си, за да не ги поглънете по невнимание.
- Това може да доведе до задушаване и/или натравяне.
- Монтирайте тялото върху твърда конструкция, за да предотвратите прекомерен шум или вибрации по време на работа.
- А-претегленото ниво на звуково налягане е под 70 dB.
- Този уред е предназначен за използване от експерти или обучени потребители в магазини, в леката промисленост и във ферми, или за търговска употреба от неспециалисти.

## <POLSKI>

Językiem oryginału jest język angielski. Inne wersje językowe stanowią tłumaczenie oryginału.

### ▲ UWAGA

- Wyciek czynnika chłodniczego może spowodować uduszenie. Należy zapewnić wentylację zgodnie z normą EN378-1.
- Należy pamiętać, aby owinąć izolację wokół przewodów rurowych. Bezpośredni kontakt z niezabezpieczonymi przewodami rurowymi może doprowadzić do poparzeń lub odmrożeń.
- Nie wolno wkładać baterii do ust z jakiegokolwiek powodu, aby uniknąć przypadkowego połknięcia.
- Połknięcie baterii może spowodować zadławienie i/lub zatrucie.
- Zainstalować urządzenie na sztywnej konstrukcji, aby zapobiec nadmieremu hałasowi i wibracjom.
- Poziom dźwięku A nie przekracza 70 dB.
- W sklepach, w przemyśle lekkim i w gospodarstwach rolnych urządzenia powinni obsługiwać profesjonaliści lub przeszkoleni użytkownicy, a w środowisku handlowym mogą to być osoby nieposiadające fachowej wiedzy.

## <NORSK>

Originalspråket er engelsk. De andre språkversjonene er oversettelser av originalen.

### ▲ FORSIKTIG

- Kjølemiddellekkasje kan forårsake kveldning. Sørg for ventilering i samsvar med EN378-1.
- Pass på at isoleringen pakkes godt rundt røret. Direkte kontakt med ukledte rør kan forårsake brannskader eller forfrysninger.
- Aldri plasser batteri i munnen, da dette kan medføre en risiko for at du svelger batteriet ved et uheld.
- Hvis du svelger et batteri, kan du risikere kveldning og/eller forgiftning.
- Installer enheten på en stabil struktur for å forhindre uønsket mye driftsstøy eller vibrering.
- Det A-vektede lydtryknivået er under 70 dB.
- Dette apparatet er ment for bruk av eksperter eller faglært personell i butikker, lettindustri og på gårder, eller for kommersielt bruk av ikke-fagmenn.

## <SUOMI>

Englanti on alkuperäinen. Muut kieliversiot ovat alkuperäiskappaleen käännöksiä.

### ▲ HUOMIO

- Vuotava kylmäaine voi aiheuttaa tukehtumisen. Ilmanvaihdon on oltava EN378-1-standardin mukainen.
- Kääri putken ympärille eristysmateriaalia. Paljaan putken koskettamisesta voi seurata palo- tai paleltumavammoja.
- Älä koskaan laita paristoja suuhun, jotta et vahingossa niekaisisi niitä.
- Paristojen nieleminen voi aiheuttaa tukehtumisen ja/tai myrkytyksen.
- Asenna yksikkö tukeviin rakenteisiin, jotta sen käytöstä ei syntyisi ylimääräistä ääntä tai värinää.
- A-painotettu äänenpainetaso on alle 70 dB.
- Laite on tarkoitettu asiantuntijoiden tai laitteelle koulutuksen saaneiden käyttöön kauppoissa, pienteollisuudessa ja maailloilla tai maailloille kaupalliseen käyttöön.

## <ČEŠTINA>

Originál je v angličtině. Ostatní jazykové verze jsou překladem originálu.

### ▲ POZOR

- Únik chladicího média může způsobit udušení. Zajistěte větrání v souladu s normou EN 378-1.
- Okolo potrubí vždy omotejte izolací. Přímý kontakt s obnaženým potrubím může způsobit popálení nebo omrzliny.
- Nikdy nevkładějte baterie do úst, aby nedošlo k jejich polknutí.
- Polknutí baterie může způsobit zadušení a/nebo otrávu.
- Jednotku nainstalujte na pevnou konstrukci, aby nedocházelo ke vzniku nadměrného provozního hluku a vibrací.
- Hladina akustického tlaku A je nižší než 70 dB.
- Toto zařízení je určeno pro prodejny, lehký průmysl a farmy, kde je musí obsluhovat odborníci a školení uživatelé, a pro komerční použití, kde je mohou obsluhovat laici.

## <SLOVENČINA>

Peklad anglického originálu. Všetky jazykové verzie sú preložené z angličtiny.

### ▲ UPOZORNENIE

- Únik chladiva môže spôsobiť udusenie. Zabezpečte vetranie podľa normy EN 378-1.
- Nezabudnite potrubie obaliť izoláciou. Priamy kontakt s nezabaleným potrubím môže spôsobiť popálenie alebo omrzliny.
- Batérie si nikdy z akéhokoľvek dôvodu nekladte do úst, aby nedošlo k ich náhodnému požitiu.
- Požitie batérií môže vyvolať dusenie a/alebo otrávu.
- Nainštalujte jednotku na pevný konštrukčný prvok, aby ste obmedzili nadmerný prevádzkový hluk a vibrácie.
- Hladina akustického tlaku A je nižšia podľa krivky A je nižšia ako 70 dB.
- Toto zariadenie je určené na používanie odborníkmi alebo zaškolenými používateľmi v komerčných priestoroch, v prostredí ľahkého priemyslu, na farmách, alebo na komerčné použitie bežnými používateľmi.

## <MAGYAR>

Az angol változat az eredeti. A többi nyelvi változat az eredeti fordítása.

### ▲ VIGYÁZAT

- A hűtőközeg szivárgása fulladást okozhat. Gondoskodjon az EN378-1 szabvány előírásai szerinti szellőzéssről.
- Feltétlenül szigetelje körbe a csöveket. A csupasz cső megérintése égési vagy fagyási sérülést okozhat.
- Ne vegyen a szájába elemet semmilyen célból, mert véletlenül lenyelheti!
- A lenyelt elem fulladást és/vagy mérgezést okozhat.
- A készüleket merev szerkezetre szerelje fel, hogy megakadályozza a túlzott üzemi zajt és vibrációt.
- Az A-súlyozott hangnyomásszint 70 dB alatt van.
- A készülék üzletek, a könnyűipar és gazdaságok szakértő vagy képzett felhasználói, valamint laikus felhasználók általi kereskedelmi használatra készült.

## <SLOVENŠČINA>

Izvirnik je v angleščini. Druge jezikovne različice so prevodi izvirnika.

### ▲ POZOR

- Puščanje hladiva lahko povzroči zadušenje. Zagotovite prezračevanje po standardu EN378-1.
- Cevi ovijte z izolacijo. Neposredni stik z golimi cevmi lahko povzroči opekline ali ozebline.
- Nikoli in iz nobenega razloga ne vstavljajte baterij v usta, da jih po nesreči ne pogoltnete.
- Če baterije pogoltnete, se lahko zadušite in/ali zastrupite.
- Enoto namestite na togo konstrukcijo, da preprečite pretiran zvok ali tresljaje med delovanjem.
- A-utežena raven zvočnega tlaka je pod 70 dB.
- Naprava je namenjena za uporabo s strani strokovnih ali ustrezno usposobljenih uporabnikov v trgovinah, lahki industriji in na kmetijah ter za komercialno uporabo s strani nestrokovnih uporabnikov.

## <ROMÂNĂ>

Textul original este în limba engleză. Versiunile pentru celelalte limbi sunt traduceri ale originalului.

### ▲ ATENȚIE

- Scurgerea de agent frigorific poate cauza asfixierea. Asigurați o ventilație corespunzătoare, conform standardului EN378-1.
- Asigurați-vă că înfășurați materialul izolator în jurul conductelor. Contactul direct cu conductele neizolate se poate solda cu arsuri sau degerături.
- Nu introduceți niciodată și pentru niciun motiv bateriile în gură, pentru a evita ingerarea accidentală a acestora.
- Ingerarea bateriilor poate cauza sufocarea și/sau intoxicația.
- Instalați unitatea pe o structură rigidă pentru a preveni producerea unui nivel excesiv de sunete sau vibrații.
- Nivelul de presiune acustică ponderată în A este mai mic de 70 dB.
- Acest aparat este destinat utilizării de către utilizatori specializați sau instruiți în cadrul spațiilor comerciale, spațiilor din cadrul industriei ușoare și al fermelor sau în scopuri comerciale de către nespecialiști.

## <EESTI>

Originaaljuhend on ingliskeelne. Muudes keeltes versioonid on originaali tõlked.

### ▲ ETTEVAATUST!

- Külmaaine leke võib põhjustada lämbumist. Tuulutamine standardi EN378-1 kohaselt.
- Märkige torude ümber kindlasti isolatsiooni. Vahetu kontakt paljaste torudega võib põhjustada põletusi või külmakahjustusi.
- Hoiduge patareide tahtmatust allaneelamisest, ärge kunagi pange ühelgi põhjusele patareisid suhu.
- Patarei allaneelamine võib põhjustada lämbumist ja/või mürgitust.
- Paigaldage seade järgale struktuurile, et vältida ülemäärast tööhet ja vibreerimist.
- A-filtriga helirõhu tase on madalam kui 70 dB.
- Seade on mõeldud kasutamiseks asjatundjatele ja väljaõppe läbinud kasutajatele poodides, kergtööstuses ja taludes ning kommertskasutuseks tavaisikute poolt.

## <LATVIŠKI>

Orīgīnāls ir angļu valodā. Versijas citās valodās ir orīgīnāla tulkojums.

### ▲ UZMANĪBU

- Aukstumaģenta noplūdes gadījumā pastāv nosmakšanas risks. Ir jānodrošina standartam EN378-1 atbilstoša ventilācija.
- Aptiniet caurules ar izolējošu materiālu. Pieskaroties neapitām caurulēm, var būt apdegumus vai apsaldējumus.
- Aizliegts ievietot baterijas mutē; pastāv norīšanas risks.
- Bateriju norīšana var izraisīt aizrīšanas un/vai saindēšanas.
- Uzstādiet iekārtu uz izturīgas struktūras, lai izvairītos no pārlietu liela darbības trokšņa vai vibrācijas.
- A — izsvārotais skaņas spiediena līmenis ir mazāks par 70 dB.
- Šo iekārtu paredzēts lietot speciālistiem vai apmācītiem lietotājiem veikalos, vieglās rūpniecības telpās un lauksaimniecības fermās, kā arī to var lietot nespeciālisti komerciālam vajadzībām.

## <LIETUVIŠKAI>

Originalas yra anglų k. Versijos kitomis kalbomis yra originalo vertimas.

### ▲ ATSARGIAI

- Dėl šaltnešio nuotėkio galima uždušti. Išvėdinkite patalpą pagal EN378-1.
- Būtinai vamzdelius apvyniokite izoliacija. Prisilietus prie plikų vamzdelių galima nusideginti arba nušalti.
- Siekdami išvengti atsistiktinio prarijimo, niekada nedėkite baterijų į burną.
- Prarijus bateriją galima užspringti ir / arba apsinuodyti.
- Įrenginį sumontuokite ant tvirtos struktūros, kad nesigirdėtų pernelyg didelio veikimo triukšmo ar vibracijos.
- A svertinis garso slėgio lygis nesiekia 70 dB;
- Šis prietaisas skirtas naudoti specialistui ar išmokytiems naudotojams dirbtuvėse, lengvojoje pramonėje ar ūkiuose arba komerciniam naudojimui nespecialistams.

## <HRVATSKI>

Tekst je izvorno napisan na engleskom jeziku. Tekst na ostalim jezicima predstavlja prijevod izvorno napisanog teksta.

### ▲ OPREZ

- Čurenje rashladnog sredstva može uzrokovati gušenje. Osigurajte ventilaciju u skladu s normom HR EN378-1.
- Obavezno stavite izolaciju oko položenih cijevi. Izravni doticaj s golim cijevima može dovesti do opekline ili smrzanja.
- Nikada ne stavljajte baterije u usta ni zbog kojeg razloga kako biste izbjegli slučajno gutanje.
- Gutanje baterija može prouzročiti gušenje i/ili trovanje.
- Postavite jedinicu na čvrstu strukturu kako biste izbjegli prebučan zvuk tijekom rada ili pojavu vibracija.
- Razina zvučnog tlaka A niža je od 70dB.
- Ovak uređaj mogu upotrebljavati stručnjaci ili osposobljeni korisnici u trgovinama, lakoj industriji i na poljoprivrednim gospodarstvima ili laici u komercijalne svrhe.

## <SRPSKI>

Prevod originala. Verzije na drugim jezicima su prevodi originala.

### ▲ OPREZ

- Čurenje rashladne tečnosti može da dovede do gušenja. Obezbedite ventilaciju u skladu sa EN378-1.
- Obavezno obmotajte izolaciju oko cevi. Direktna kontakta sa golom cevju može izazvati opekotine ili promrzline.
- Nikada nemojte stavljati baterije u usta iz bilo kog razloga, kako bi se sprečilo slučajno gutanje.
- Gutanje baterija može da izazove gušenje i/ili trovanje.
- Ugradite jedinicu na čvrstu strukturu kako biste sprečili previše jak zvuk rada ili vibracije.
- A-ponderisani nivo jačine pritiska zvuka je ispod 70 dB.
- Ovak uređaj je namenjen za upotrebu od strane stručnjaka ili obučeni korisnika u prodavnicama, u lakoj industriji i na farmama ili za komercijalnu upotrebu od strane nekvalifikovanih lica.

Please be sure to put the contact address/telephone number on this manual before handing it to the customer.

**mitsubishi electric corporation**

HEAD OFFICE: TOKYO BUILDING, 2-7-3, MARUNOUCHI, CHIYODA-KU, TOKYO 100-8310, JAPAN

# Air to Water Heat Pump SUZ-SWM·VA(H) series SUZ-SHWM·VAH series

INSTALLATION MANUAL	FOR INSTALLER	English
INSTALLATIONSHANDBUCH	FÜR INSTALLATEURE	Deutsch
MANUEL D'INSTALLATION	POUR L'INSTALLATEUR	Français
INSTALLATIEHANDLEIDING	VOOR DE INSTALLATEUR	Nederlands
MANUAL DE INSTALACIÓN	PARA EL INSTALADOR	Español
MANUALE DI INSTALLAZIONE	PER L'INSTALLATORE	Italiano
ΕΓΧΕΙΡΙΔΙΟ ΟΔΗΓΙΩΝ ΕΓΚΑΤΑΣΤΑΣΗΣ	ΓΙΑ ΑΥΤΟΝ ΠΟΥ ΚΑΝΕΙ ΤΗΝ ΕΓΚΑΤΑΣΤΑΣΗ	Ελληνικά
MANUAL DE INSTALAÇÃO	PARA O INSTALADOR	Português
INSTALLATIONSMANUAL	TIL INSTALLATØREN	Dansk
INSTALLATIONSMANUAL	FÖR INSTALLATÖREN	Svenska
MONTAJ ELKİTABI	MONTÖR İÇİN	Türkçe
РУКОВОДСТВО ПО УСТАНОВКЕ	ДЛЯ УСТАНОВИТЕЛЯ	Русский
ПОСІБНИК З УСТАНОВЛЕННЯ	ДЛЯ СПЕЦІАЛІСТА З МОНТАЖУ	Українська
РЪКОВОДСТВО ЗА МОНТАЖ	ЗА МОНТАЖНИКА	Български
INSTRUKCJA MONTAŻU	DLA INSTALATORA	Polski
INSTALLASJONSHÅNDBOK	FOR MONTØR	Norsk
ASENNUSOPAS	ASENTAJALLE	Suomi
INSTALAČNÍ PŘÍRUČKA	PRO MONTÁŽNÍ PRACOVNÍKY	Čeština
NÁVOD NA INŠTALÁCIU	PRE MONTÉRA	Slovenčina
TELEPÍTÉSI KÉZIKÖNYV	A TELEPÍTŐ RÉSZÉRE	Magyar
NAMESTITVENI PRIROČNIK	ZA MONTERJA	Slovenščina
MANUAL DE INSTALARE	PENTRU INSTALATOR	Română
PAIGALDUSJUHEND	PAIGALDAJALE	Eesti
MONTĀŽAS ROKASGRĀMATA	UZSTĀDĪŠANAS SPECIĀLISTAM	Latviski
MONTAVIMO VADOVAS	SKIRTA MONTUOTOJUI	Lietuviškai
PRIRUČNIK ZA POSTAVLJANJE	ZA INSTALATERA	Hrvatski
UPUTSTVO ZA UGRADNJU	ZA MONTERA	Srpski

1. Precauções de Segurança	1	6. Trabalho de electricidade	9
2. Selecção do local de instalação	3	7. Manutenção	10
3. Diagrama de instalação	5	8. Trabalho de tubagem de água	11
4. Tubagem de drenagem da unidade exterior	5	9. Bombagem	13
5. Instalação da tubagem do refrigerante	6	10. Especificações	14



**Nota: Este símbolo destina-se apenas aos países da UE.**

**Este símbolo encontra-se em conformidade com a Informação do Artigo 14 da directiva 2012/19/UE para utilizadores e Anexo IX.**

O seu produto MITSUBISHI ELECTRIC foi concebido e produzido com materiais e componentes de alta qualidade que podem ser reciclados e reutilizados.

Este símbolo significa que o equipamento eléctrico e electrónico no final da sua vida útil deve ser deitado fora separadamente do lixo doméstico.

Por favor, entregue este equipamento no seu ponto local de recolha/reciclagem.

Na União Europeia existem sistemas de recolha separados para produtos eléctricos e electrónicos usados.

Por favor, ajude-nos a conservar o ambiente em que vivemos!

## ! CUIDADO:

- Não libertar o R32 para a atmosfera.

## 1. Precauções de Segurança

- ▶ Antes de instalar a unidade, leia atentamente as “Precauções de Segurança”.
- ▶ Reporte-se ou peça autorização à autoridade responsável pelo fornecimento antes de proceder à ligação do sistema.

### ! AVISO:

Descreve as precauções a observar para evitar riscos de ferimentos ou morte ao utilizador.

### ! CUIDADO:

Descreve os cuidados a ter para não danificar a unidade.

Após ter concluído a instalação, explique as “Precauções de Segurança”, a utilização e a manutenção da unidade ao cliente, de acordo com as informações do Manual de Funcionamento, e efectue um ensaio para verificar se a unidade está a funcionar correctamente. O Manual de Instalação e o Manual de Funcionamento devem ser fornecidos ao utilizador, para que este os guarde. Os referidos manuais deverão ser fornecidos a utilizadores futuros.

⊕ : Indica uma peça a ligar à terra.

### ! AVISO:

Leia atentamente os rótulos afixados na unidade principal.

⊙ : Indica avisos e cuidados a ter em conta na utilização do refrigerante R32.

## SIGNIFICADO DOS SÍMBOLOS APRESENTADOS NA UNIDADE INTERIOR E/OU UNIDADE EXTERIOR

	<b>AVISO</b> (Risco de incêndio)	Este símbolo destina-se apenas ao refrigerante R32. O tipo de refrigerante está indicado na placa de identificação da unidade exterior. Se o tipo de refrigerante for o R32, esta unidade utiliza um refrigerante inflamável. Se ocorrer uma fuga de refrigerante e este entrar em contacto com fogo ou uma peça de aquecimento, irá criar um gás nocivo e existe o risco de incêndio.
		Leia atentamente o MANUAL DE OPERAÇÃO antes da utilização.
		É necessário que o pessoal de assistência técnica leia atentamente o MANUAL DE OPERAÇÃO e o MANUAL DE INSTALAÇÃO antes da utilização.
		Está disponível informação mais pormenorizada no MANUAL DE OPERAÇÃO, no MANUAL DE INSTALAÇÃO e em documentação semelhante.

### ! AVISO:

- A unidade não deve ser instalada pelo utilizador. Peça a um revendedor ou a um técnico autorizado que instale e repare a unidade. Se a unidade for instalada de forma incorrecta, poderá ocorrer uma fuga de água, um choque eléctrico ou um incêndio.
- Para proceder à instalação e mudança de sítio, siga as instruções do Manual de Instalação e utilize ferramentas e componentes da tubagem especificamente concebidos para utilização com o refrigerante R32. Se forem utilizados componentes da tubagem que não tenham sido concebidos especificamente para o refrigerante R32 ou se a unidade não tiver sido instalada correctamente, a tubagem pode rebentar e provocar danos ou ferimentos. Para além disso, podem ainda ocorrer fugas de água, choques eléctricos ou incêndios.
- A unidade deve ser instalada de acordo com as instruções, para minimizar o risco de danos sofridos devido a tremores de terra ou ventos fortes. Uma unidade instalada incorrectamente pode cair e provocar danos ou ferimentos.
- A unidade deve ser instalada com segurança numa estrutura que suporte o seu peso. Se a unidade for montada numa estrutura instável, poderá cair e provocar danos ou ferimentos.
- Se a bomba de calor ar-água for instalada num compartimento pequeno, deverão ser tomadas medidas por forma a evitar que a concentração do refrigerante exceda o limite de segurança em caso de fuga de refrigerante. Consulte um concessionário relativamente às medidas a adoptar no sentido de evitar que a concentração permitida seja excedida. Em caso de fuga de refrigerante e de ultrapassagem do limite de concentração, poderá haver potenciais perigos devido à falta de oxigénio no compartimento.
- Ventile o compartimento em caso de fuga de refrigerante durante o funcionamento. Se o refrigerante entrar em contacto com fogo, serão libertados gases tóxicos.
- Todos os trabalhos de electricidade devem ser levados a cabo por um electricista qualificado e em conformidade com a regulamentação local e as instruções fornecidas neste manual. As unidades devem ser alimentadas através de cabos de alimentação dedicados e deve utilizar-se a voltagem correcta e os disjuntores adequados. Caso sejam usados cabos de alimentação com capacidade insuficiente ou haja trabalhos de electricidade mal efectuados, tal poderá originar choques eléctricos ou incêndios.
- Utilize fósforo de cobre C1220, para tubagens de cobre ou de liga de cobre sem juntas, para ligar a tubagem do refrigerante. Se a tubagem não for ligada correctamente, a unidade não será devidamente ligada à terra, o que poderá provocar choques eléctricos.
- Este aparelho destina-se a ser utilizado por utilizadores experientes ou formados em fábricas, indústrias ligeiras ou explorações, ou para uso comercial por leigos.
- Utilize apenas os cabos eléctricos indicados. As ligações devem ser efectuadas de modo seguro e sem tensão nos terminais. Do mesmo modo, nunca una os cabos para ligação (salvo especificado em contrário neste documento). A inobservância destas instruções pode resultar num sobreaquecimento ou num incêndio.
- No caso de danificação do cabo de alimentação, este deve ser substituído pelo fabricante, agente de assistência ou pessoas de qualificação semelhante para evitar um perigo.
- O dispositivo será instalado de acordo com os regulamentos nacionais de instalações eléctricas.
- O painel da tampa do bloco terminal da unidade externa deve estar bem fixo. Se o painel da tampa for montado incorrectamente e entrar poeira e humidade na unidade, podem ocorrer choques eléctricos ou incêndio.



# 1. Precauções de Segurança

- Ao instalar ou mudar a bomba de calor ar-água de sítio, utilize apenas o refrigerante especificado (R32) para carregar as linhas de refrigerante. Não o misture com qualquer outro refrigerante e assegure-se de que não fica ar nas linhas.  
Se o ar for misturado com o refrigerante, tal pode causar uma pressão alta anómala na linha do refrigerante, o que pode resultar numa explosão e outros perigos.  
O uso de qualquer refrigerante diferente do especificado para o sistema causará uma falha mecânica ou avaria do sistema ou falta da unidade. No pior dos casos, isto pode comprometer seriamente a segurança do produto.
- Utilize só acessórios autorizados pela Mitsubishi Electric e peça ao seu distribuidor ou a uma empresa autorizada que os instale. Se os acessórios não forem correctamente instalados, podem ocorrer fugas de água, choques eléctricos ou incêndios.
- Não altere a unidade. Isto pode provocar um incêndio, um choque eléctrico, ferimentos ou uma fuga de água.
- O utilizador nunca deve tentar reparar a unidade ou transferi-la para outro local. Se a unidade for instalada incorrectamente, podem ocorrer fugas de água, choques eléctricos ou incêndios. Se a bomba de calor ar-água tiver de ser reparada ou deslocada, contacte um revendedor ou um técnico autorizado.
- Quando ocorre uma fuga no circuito de refrigerante, NÃO proceda à bombagem com o compressor.
- Quando proceder à bombagem do refrigerante, desligue o compressor antes de desligar os tubos de refrigerante. O compressor pode rebentar se ar etc. entrar nele.
- Depois de a instalação estar concluída, verifique se não existem fugas de refrigerante. Se ocorrer uma fuga de refrigerante no compartimento e entrar em contacto com uma chama proveniente de outro dispositivo, serão libertados gases tóxicos.
- Não utilize meios para acelerar o processo de descongelamento ou para limpeza diferentes dos recomendados pelo fabricante.
- O aparelho deve ser armazenado numa divisão onde não existam fontes de ignição em funcionamento contínuo (por exemplo: chamas abertas, um aparelho a gás ou um aquecedor eléctrico em funcionamento).

- Não fure ou queime.
- Tenha em atenção que os refrigerantes podem ser inodoros.
- ⊙ As tubagens devem estar protegidas de danos físicos.
- A instalação das tubagens deve ser reduzida ao mínimo.
- Devem ser observados os regulamentos nacionais relativos ao gás.
- Mantenha sem obstruções as entradas de ventilação necessárias.
- ⊙ Não utilize uma liga de solda de baixa temperatura se for necessário efectuar a brasagem da tubagem do refrigerante.
- ⊙ Quando proceder à brasagem, ventile suficientemente a divisão.  
Certifique-se de que não existem materiais perigosos ou inflamáveis nas proximidades.  
Quando realizar a operação numa divisão fechada, numa divisão pequena ou num local semelhante, certifique-se de que não existem fugas de refrigerante antes de efectuar a operação.  
Se ocorrer uma fuga de refrigerante e este se acumular, poderá entrar em combustão ou poderão ser libertados gases tóxicos.
- ⊙ O aparelho deve ser guardado numa área bem ventilada cujas dimensões correspondam às da área especificada para o funcionamento.
- ⊙ Mantenha aparelhos de combustão a gás, aquecedores eléctricos e outras fontes de ignição (fogo) afastados do local de instalação, de reparação e de outras operações da bomba de calor ar-água.  
Se o refrigerante entrar em contacto com uma chama, serão libertados gases tóxicos.
- ⊙ Não fume durante o trabalho e o transporte.
- ⊙ Não adicione refrigerante mais do que a quantidade máxima em cada unidade exterior. Se exceder a quantidade máxima de refrigerante, pode resultar num incêndio em caso de fuga de refrigerante.

## 1.1. Antes da instalação



### ⚠ CUIDADO:

- Não utilize a unidade num ambiente invulgar. Se a bomba de calor ar-água for instalada em áreas expostas a vapor, óleo volátil (incluindo óleo de máquinas) ou a gás sulfúrico, áreas expostas a uma grande concentração de sal, tal como à beira-mar, ou áreas onde a unidade possa ser coberta por neve, o rendimento poderá ser significativamente reduzido e as peças internas podem ser danificadas.
- Não instale a unidade onde possam ocorrer fugas, produção, fluxo ou acumulação de gases combustíveis. Em caso de acumulação de gás combustível em torno da unidade, podem ocorrer incêndios ou explosões.

- A unidade exterior produz condensação durante a operação de aquecimento. Assegure-se de que existe drenagem suficiente em torno da unidade exterior caso a referida condensação possa causar danos.
- Ao instalar a unidade num hospital ou gabinete de comunicações, não estranhe se se verificar ruído e interferência eléctrica. Inversores, electrodomésticos, equipamento médico de alta frequência e equipamento de comunicação por rádio podem provocar mau funcionamento ou avaria da bomba de calor ar-água. A bomba de calor ar-água também pode afectar equipamento médico, perturbando a prestação dos serviços médicos, e equipamento de comunicações, comprometendo a qualidade da imagem de ecrãs.

pt

## 1.2. Antes da instalação (transferência)



### ⚠ CUIDADO:

- Ter muito cuidado durante o transporte ou instalação das unidades. São precisas duas ou mais pessoas para transportar a unidade, uma vez que esta pesa 20 kg ou mais. Não agarre nas bandas da embalagem. Usar luvas de protecção para retirar a unidade da respectiva embalagem e deslocá-la, pois pode ferir as mãos nas alhetas ou nas arestas de outros componentes.
- Assegure-se de que elimina com segurança os materiais de embalagem. Materiais de embalagem tais como pregos e outras peças em metal ou madeira podem provocar cortes ou outros ferimentos.

- A base e os acessórios da unidade exterior devem ser verificados periodicamente, a fim de detectar possíveis folgas, fendas ou outros danos. Se tais danos não forem corrigidos, a unidade poderá cair e provocar acidentes ou ferimentos.
- Não limpe a unidade de bomba de calor ar-água com água. Poderá provocar choques eléctricos.
- Aperte bem todas as porcas afuniladas, utilizando uma chave dinamómetro. Se as porcas forem demasiadamente apertadas, podem quebrar passado algum tempo e originar uma fuga de refrigerante.

## 1.3. Antes do trabalho de electricidade



### ⚠ CUIDADO:

- Assegure-se de que instala disjuntores. Se não forem instalados disjuntores, podem ocorrer choques eléctricos.
- Para as linhas de alta tensão, utilize cabos normalizados de capacidade suficiente. De outro modo, poderá ocorrer um curto-circuito, sobreaquecimento ou incêndio.
- Ao instalar as linhas de alimentação, não aplique tensão nos cabos. Se existir mau contacto nas ligações, os cabos podem rebentar ou partir, originando sobreaquecimento ou incêndio.

- Assegure-se de que liga a unidade à terra. Não ligue o fio terra a canos de gás ou de água, pára-raios ou linhas telefónicas de ligação à terra. Se a unidade não for devidamente ligada à terra, poderão ocorrer choques eléctricos.
- Utilize disjuntores (interruptor de falha de ligação à terra, interruptor de isolamento (fusível +B) e disjuntor com protecção moldada) com a capacidade especificada. Se a capacidade do disjuntor for superior à capacidade especificada, podem ocorrer avarias ou incêndios.

# 1. Precauções de Segurança

## 1.4. Antes de iniciar o ensaio

### ⚠ CUIDADO:

- Ligue o interruptor principal de corrente mais de 12 horas antes de dar início ao funcionamento. Se o funcionamento tiver início imediatamente depois de ligar o interruptor principal, tal poderá danificar seriamente as peças internas. Mantenha o interruptor ligado durante a estação operacional.
- Antes de o funcionamento ter início, verifique se todos os painéis e outras peças de protecção foram correctamente instalados. Peças rotativas, quentes ou de alta tensão podem causar ferimentos.

- Não toque em nenhum interruptor com as mãos molhadas. Poderá provocar choques eléctricos.
- Quando o aparelho de ar condicionado estiver a funcionar, não toque nos tubos do refrigerante sem qualquer protecção nas mãos. Os tubos do refrigerante podem estar quentes ou frios, dependendo do estado do refrigerante em circulação. Se tocar nos tubos, poderá sofrer queimaduras.
- Após interromper o funcionamento, espere pelo menos cinco minutos antes de desligar o interruptor principal. De outro modo, poderá originar fugas de água ou avarias.

## 1.5. Utilização da bomba de calor ar-água com refrigerante R32

### ⚠ CUIDADO:

- Utilize fósforo de cobre C1220, para tubagens de cobre ou de liga de cobre sem juntas, para ligar a tubagem do refrigerante. Certifique-se de que o interior da tubagem está limpo e não contém substâncias tóxicas, tais como compostos de enxofre, oxidantes, sujidade ou poeira. Utilize tubos com a espessura indicada. (Consulte a 4.1.) Considere as indicações que se seguem se reutilizar tubos que transportavam refrigerante R22.
  - Substitua as porcas afuniladas existentes e afunile as secções apertadas novamente.
  - Não utilize tubos finos. (Consulte a 4.1.)
- Mantenha os tubos a utilizar na instalação protegidos e ambas as extremidades tapadas até ao momento de serem soldadas. (Deixe as juntas curvas, etc., na embalagem.) Se entrar poeira, sujidade ou humidade nas linhas do refrigerante, poderá ocorrer deterioração do óleo ou avaria do compressor.
- Utilize óleo de éster, de éter ou de alquilbenzeno (pequenas quantidades) como óleo de refrigeração para revestir as secções afuniladas. Se se misturar óleo mineral com o óleo de refrigeração, pode ocorrer uma deterioração do óleo.

- As operações de manutenção devem ser realizadas apenas da forma recomendada pelo fabricante.
- Utilize unicamente refrigerante R32. Se utilizar outro refrigerante, o cloro provocará a deterioração do óleo.
- Utilize as ferramentas que se seguem, especificamente concebidas para serem utilizadas com o refrigerante R32. As ferramentas que se seguem são necessárias para a utilização do refrigerante R32. Contacte o seu distribuidor caso tenha alguma questão a colocar.

Ferramentas (para R32)	
Colector do manómetro	Instrumento de afunilamento
Tubo flexível de carga	Manómetro de ajuste de tamanho
Detector de fugas de gás	Adaptador da bomba de vácuo
Chave dinamómetro	Escala electrónica de abastecimento de refrigerante

- Assegure-se de que utiliza as ferramentas correctas. Se entrar poeira, sujidade ou humidade nas linhas do refrigerante, poderá ocorrer deterioração do óleo de refrigeração.

## 2. Selecção do local de instalação

pt

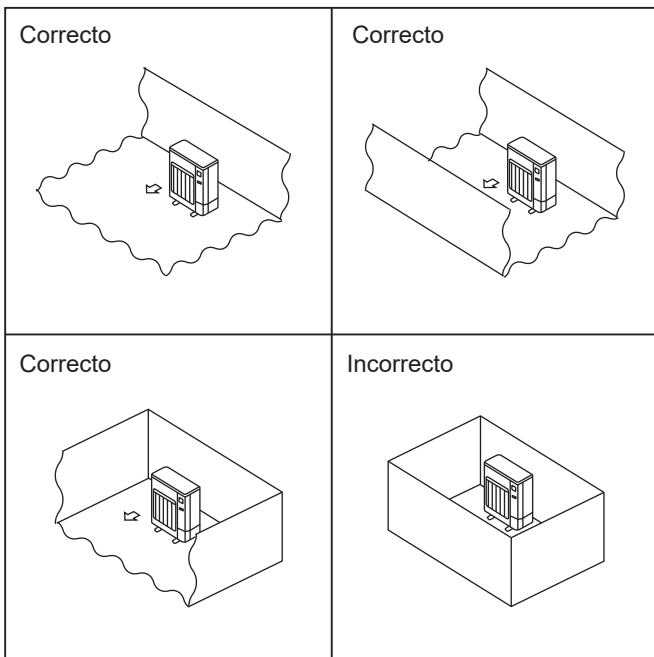


Fig. 2-1

### 2.1. Unidade exterior

- O R32 é mais pesado do que o ar - assim como qualquer outro refrigerante - pelo que tende a acumular-se na base (nas proximidades do piso). Se o R32 se acumular à volta da base e a divisão for pequena, pode atingir um nível de concentração inflamável. Para evitar ignição, é necessário manter um ambiente de trabalho seguro garantindo uma ventilação adequada. Se ocorrer uma fuga de refrigerante numa divisão ou área onde a ventilação não é suficiente, evite o uso de chamas até que seja possível melhorar as condições do ambiente de trabalho garantindo uma ventilação adequada.
  - Onde a unidade não fique exposta a ventos fortes.
  - Onde o fluxo de ar seja bom e sem poeira.
  - Num local onde não provoque o curto-circuito de ar.
  - Onde os vizinhos não sejam perturbados pelo som de operação ou ar quente.
  - Onde haja uma parede ou suporte rígido para evitar o aumento do som da operação ou vibração.
  - Onde não haja risco de fuga de combustível ou gás.
  - Ao instalar a unidade num nível alto, fixe os apoios da unidade.
  - Onde fique a pelo menos 3 m de distância de um televisor ou de um rádio. (Se não, poderia afectar a qualidade das imagens ou gerar ruídos.)
  - Instale-o numa área não sujeita à queda de neve ou a vento gelado. Nas áreas sujeitas a fortes nevões, instale um resguardo, um pedestal e/ou algumas divisórias.
  - Instale a unidade horizontalmente.
  - A ligação da tubagem do refrigerante deve ser acessível para efeitos de manutenção.
- © Instale as unidades exteriores num local onde, pelo menos, uma das quatro laterais seja aberta e cujo espaço seja suficientemente amplo e não tenha depressões. (Fig. 2-1)

### ⚠ CUIDADO:

Evite os seguintes lugares para instalação, propensos a causar problemas com a bomba de calor ar-água.

- Onde haja muito óleo de máquina.
- Ambientes salgados como em áreas a beira-mar.
- Áreas de estações térmicas.
- Onde existe gás sulfuroso.
- Outras áreas atmosféricas especiais.

A unidade exterior produz condensação durante a operação de aquecimento. Selecione o local de instalação de forma a evitar que a unidade exterior e/ou o chão fiquem húmidos devido à água de drenagem ou danificados por água de drenagem congelada.

## 2. Selecção do local de instalação

### 2.2. Área mínima de instalação

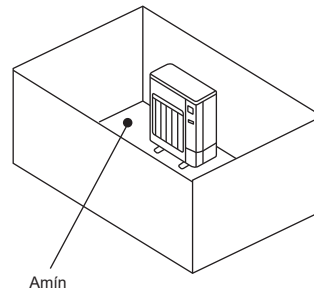
Se tiver de instalar uma unidade num espaço onde todas as quatro laterais ficam bloqueadas ou no qual existem depressões, confirme que se verifica uma das situações (A, B ou C) seguintes.

**Nota:** Estas contramedidas destinam-se a manter a segurança e não constituem nenhuma garantia de desempenho.

A) Assegure um espaço de instalação suficiente (Amín - área mínima de instalação).

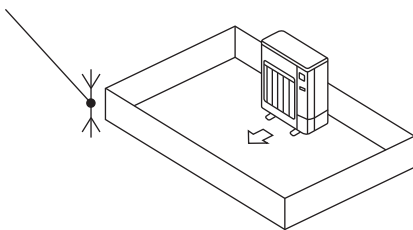
Instale num espaço com uma área de instalação de Amín ou mais, equivalente à quantidade de refrigerante M (refrigerante abastecido de fábrica + refrigerante adicionado localmente).

M [kg]	Amín [m <sup>2</sup> ]
1,0	12
1,5	17
2,0	23
2,5	28
3,0	34
3,5	39
4,0	45
4,5	50
5,0	56
5,5	62
6,0	67
6,5	73
7,0	78
7,5	84

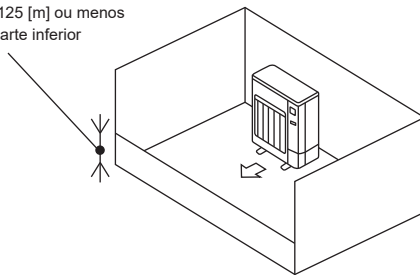


B) Instale num espaço com uma profundidade de  $\leq 0,125$  [m].

Altura de 0,125 [m] ou menos a partir da parte inferior



Altura de 0,125 [m] ou menos a partir da parte inferior

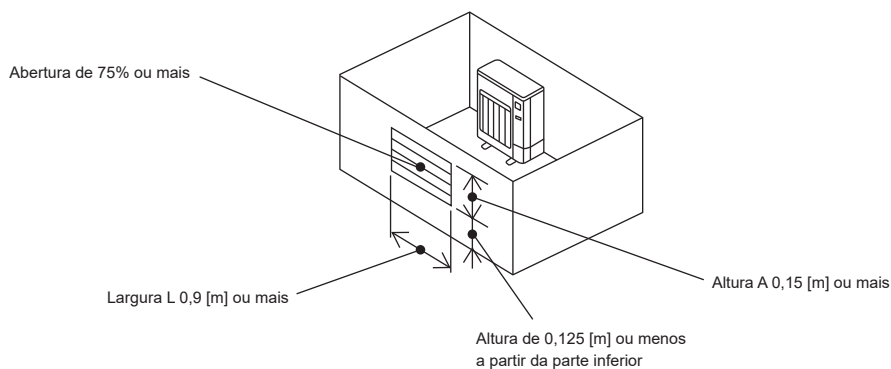


C) Crie uma área aberta para ventilação adequada.

Certifique-se de que a largura da área aberta é de 0,9 [m] ou mais e que a altura da área aberta é de 0,15 [m] ou mais.

No entanto, a altura entre a parte inferior do espaço de instalação e a extremidade inferior da área aberta deve ser de 0,125 [m] ou menos.

A área aberta deve ter uma abertura de 75% ou mais.



**Nota:** Para a unidade interior, não existem restrições de instalação relativas à utilização do refrigerante R32. Consulte o manual de instalação da unidade interior e confirme a área de instalação necessária.

### 3. Diagrama de instalação

#### 3.1. Unidade exterior (Fig. 3-1)

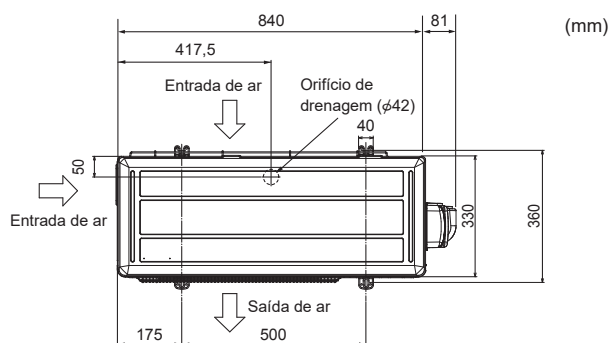
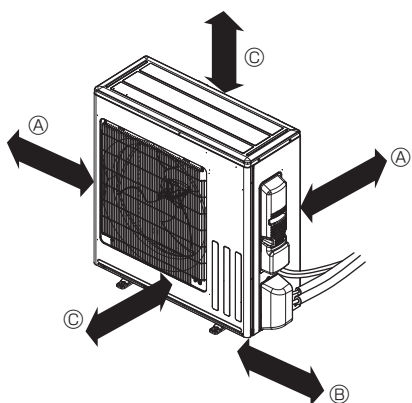
##### Espaço de ventilação e de serviço

- Ⓐ 100 mm ou mais
- Ⓑ 350 mm ou mais
- Ⓒ 500 mm ou mais

Quando a tubagem é para fixar numa parede com metais (revestidos de estanho) ou rede metálica, utilize uma peça de madeira quimicamente tratada com uma espessura de 20 mm ou mais entre a parede e a tubagem, ou dê 7 a 8 voltas de vinilo isolante em torno da tubagem.

As unidades devem ser montadas por um instalador licenciado, de acordo com os requisitos locais.

- SUZ-SWM80VA2, SUZ-SWM80VAH2, SUZ-SWM100VA, SUZ-SWM100VAH, SUZ-SHWM60VAH



##### Nota:

Ao utilizar a bomba de calor ar-água a uma temperatura exterior baixa, siga as instruções abaixo indicadas.

- Nunca instale a unidade exterior num local onde a saída/entrada de ar fique directamente exposta ao vento.
- Para evitar a exposição ao vento, instale a unidade exterior com o lado da entrada de ar virada para a parede.
- Para evitar a exposição ao vento, recomenda-se a instalação de uma placa deflectora no lado da saída de ar da unidade exterior.

- SUZ-SWM30VA, SUZ-SWM40VA2, SUZ-SWM60VA2, SUZ-SHWM30VAH, SUZ-SHWM40VAH

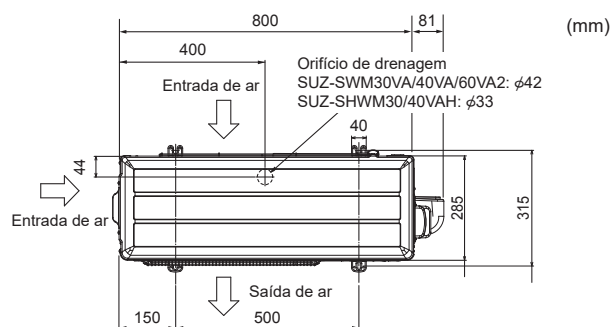
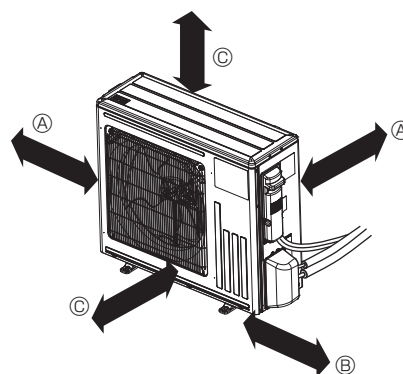


Fig. 3-1

### 4. Tubagem de drenagem da unidade exterior (Fig. 4-1)

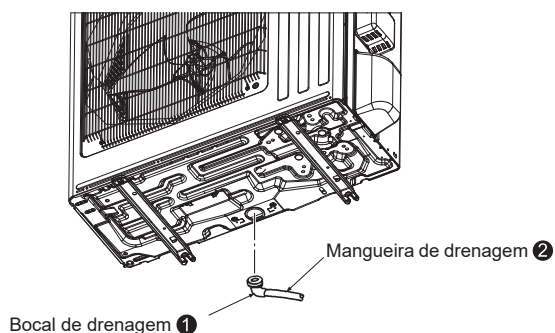


Fig. 4-1

#### 4.1. Acessórios

Verifique as seguintes peças antes da instalação.

<Unidade exterior>

①	Bocal de drenagem	1
---	-------------------	---

- Providencie tubagem de drenagem antes da ligação da tubagem interior e exterior. (Será difícil instalar o bocal de drenagem ① se a ligação da tubagem interior e exterior for efectuada antes da tubagem de drenagem, isto porque a unidade exterior se torna imóvel.)
- Ligue a mangueira de drenagem ② (que pode ser adquirida numa loja, diâmetro interno: 15 mm) como indicado na figura para drenagem.
- Certifique-se de que dispõe de tubagem de drenagem com um certo grau de inclinação para facilitar o fluxo de drenagem.

##### Nota:

Não use o bocal de drenagem ① em regiões frias. A drenagem pode congelar, o que faz que a ventoinha pare.

O bocal de drenagem não é fornecido na série SHWM.

## 5. Instalação da tubagem do refrigerante

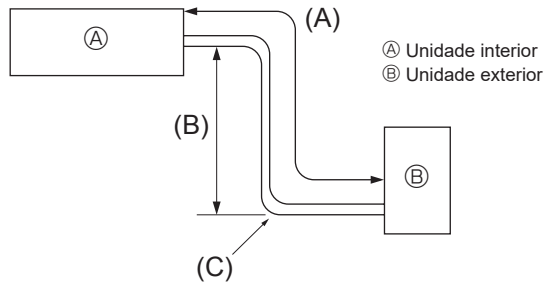


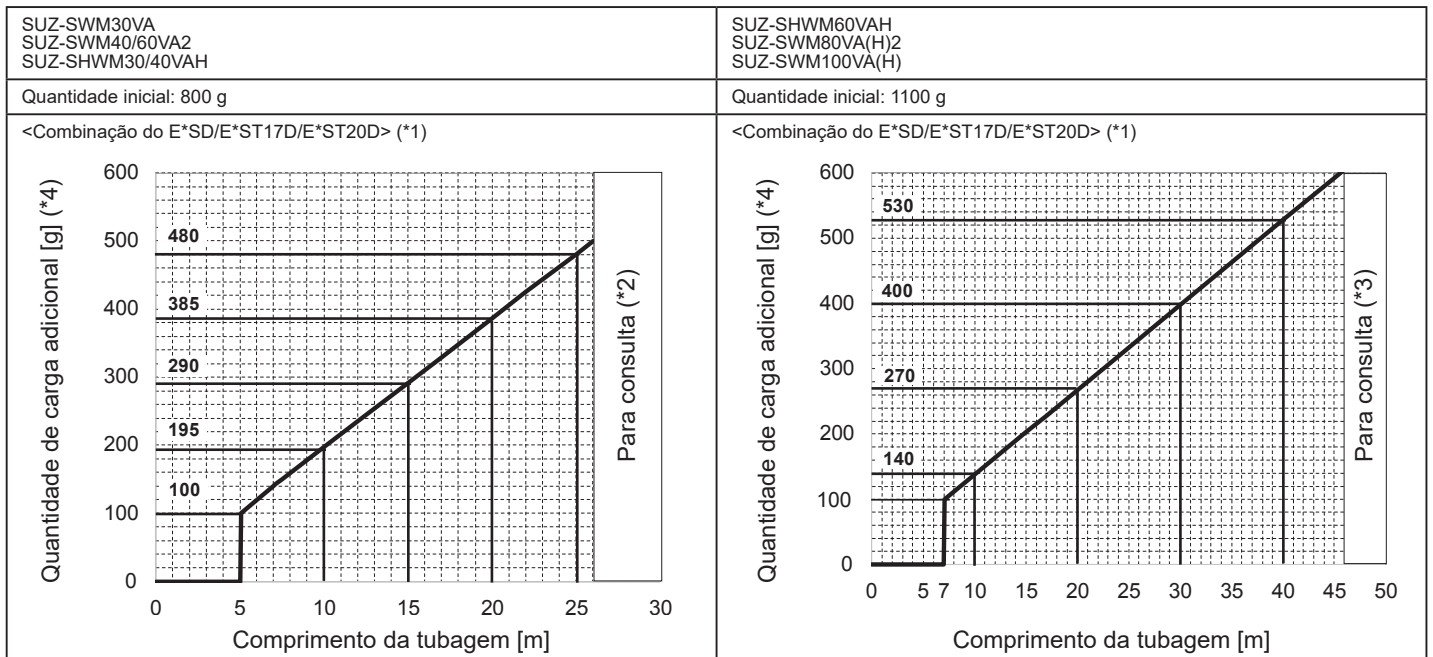
Fig. 5-1

### 5.1. Tubo de refrigerante (Fig. 5-1)

► Verifique se a diferença entre as alturas das unidades interior e exterior, o comprimento da tubagem de refrigeração e o número de curvas na tubagem se encontram dentro dos limites abaixo indicados.

Modelos	(A) Comprimento do tubo (um só sentido)	(B) Diferença de altura	(C) Número de curvas (um só sentido)
SUZ-SWM30VA	2 m - 26 m	Máx. 26 m	Máx. de 10
SUZ-SHWM30VAH			
SUZ-SWM40VA2			
SUZ-SHWM40VAH			
SUZ-SWM60VA2	2 m - 46 m	Máx. 30 m	Máx. de 10
SUZ-SHWM60VAH			
SUZ-SWM80VA(H)2			
SUZ-SWM100VA(H)			

• Os limites de diferença de altura são impostos, independentemente de qual das unidades, interior ou exterior, estiver colocada mais alto.



\*1. Se ligar ao E\*ST30D, adicione SEMPRE 50 g ao valor da carga adicional indicada nos gráficos.

\*2. Para comprimentos de tubagens superiores a 26 m, consulte o nosso especialista.

\*3. Para comprimentos de tubagens superiores a 46 m, consulte o nosso especialista.

\*4. Em caso de recarga completa: quantidade inicial + quantidade de carga adicional

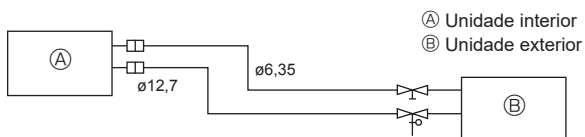


Fig. 5-2

(1) A tabela abaixo mostra as especificações de tubos existentes no comércio. (Fig. 5-2)

Modelo	Tubo	Diâmetro externo		Espessura mín. da parede	Espessura da isolamento	Material de isolamento
		mm	polegada			
Todos os modelos	Para líquido	6,35	1/4	0,8 mm	8 mm	Plástico de espuma resistente ao calor 0,045 gravidade específica
	Para gás	12,7	1/2	0,8 mm	8 mm	

(2) Assegure-se de que os 2 tubos de refrigerante estão bem isolados para impedir a condensação.

(3) O raio de curva do tubo de refrigerante deve ser de 100 mm ou mais.

### ⚠ CUIDADO:

Utilize cuidadosamente a isolamento com a espessura prevista. Espessura a mais impede o armazenamento atrás da unidade interior e espessura a menos provoca a formação de gotas.

- Certifique-se de que existe ventilação adequada para evitar ignição. Além disso, para evitar a ocorrência de incêndios, certifique-se de que não existem objectos perigosos ou inflamáveis na área circundante.
- Reabastecimento de manutenção do R32: Antes de reabastecer o equipamento com R32 e para garantir que não existe risco de explosão devido a faíscas eléctricas, é necessário garantir que o aparelho está 100% desligado da corrente eléctrica.
- Os materiais de isolamento devem estar em conformidade com as seguintes ESPECIFICAÇÕES.

(1) Média de transferência de calor: 0,040 W/mK ou menos

(2) Espessura da isolamento: 9 mm ou mais

(3) Resistência ao calor: 110 °C ou mais

Se o comprimento da tubagem externa for superior a 15 m, a espessura da isolamento deve ser de 18 mm ou mais.

## 5. Instalação da tubagem do refrigerante

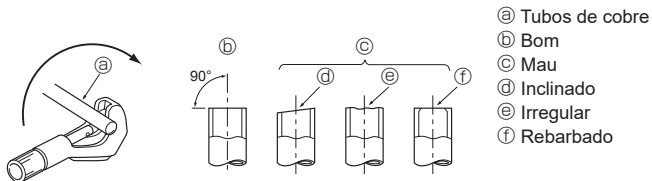


Fig. 5-3

- Ⓐ Tubos de cobre
- Ⓑ Bom
- Ⓒ Mau
- Ⓓ Inclinado
- Ⓔ Irregular
- Ⓕ Rebarbado

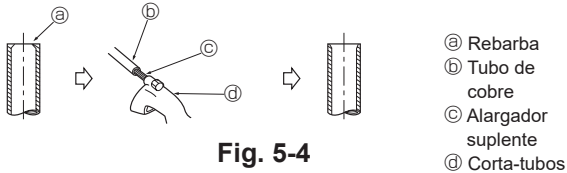


Fig. 5-4

- Ⓐ Rebarba
- Ⓑ Tubo de cobre
- Ⓒ Alargador suplente
- Ⓓ Corta-tubos

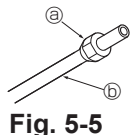


Fig. 5-5

- Ⓐ Porca de dilatação
- Ⓑ Tubo de cobre

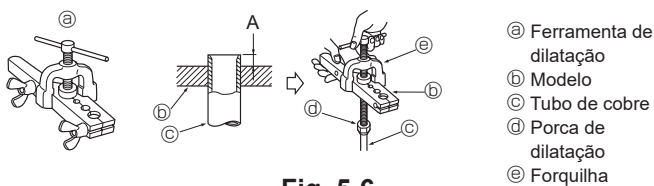


Fig. 5-6

- Ⓐ Ferramenta de dilatação
- Ⓑ Modelo
- Ⓒ Tubo de cobre
- Ⓓ Porca de dilatação
- Ⓔ Forquilha

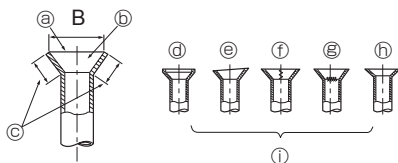


Fig. 5-7

### 5.2. Trabalho de dilatação

- A principal causa de fuga de gás reside num defeito do trabalho de dilatação. Execute correctamente o trabalho de dilatação segundo o procedimento seguinte.

#### 5.2.1. Corte do tubo (Fig. 5-3)

- Corte o tubo de cobre correctamente com um corta-tubos.

#### 5.2.2. Remoção das rebarbas (Fig. 5-4)

- Remova completamente todas as rebarbas da secção de corte cruzado do tubo.
- Ao remover as rebarbas, coloque a extremidade do tubo de cobre voltado para baixo, a fim de evitar que elas entrem na tubagem.

#### 5.2.3. Colocação da porca (Fig. 5-5)

- Remova as porcas de dilatação fornecidas na unidade interior e exterior e coloque-as, depois, no tubo após a remoção das rebarbas. (Não é possível colocá-las após o trabalho de dilatação)

#### 5.2.4. Trabalho de dilatação (Fig. 5-6)

- Efetue o trabalho de abocardamento com um abocardador, conforme ilustrado à esquerda.

Diâmetro do tubo (mm)	Dimensões	
	A (mm)	B <sup>+0</sup> <sub>-0,4</sub> (mm)
	Quando é utilizada a ferramenta para o R32	
Tipo garra		
6,35	0 - 0,5	9,1
9,52	0 - 0,5	13,2
12,7	0 - 0,5	16,6
15,88	0 - 0,5	19,7

Fixe bem o tubo de cobre num molde com as dimensões apresentadas na tabela que precede.

#### 5.2.5. Verificação (Fig. 5-7)

- Compare o abocardamento com uma figura à esquerda.
- Se a dilatação for defeituosa, corte a secção dilatada e efectue novamente o trabalho de dilatação.

- Ⓐ Alise tudo à volta
- Ⓑ Dentro está tudo a brilhar sem arranhadelas
- Ⓒ Uniformize o comprimento à volta
- Ⓓ Demasiado
- Ⓔ Inclinado
- Ⓕ Arranhe a parte dilatada
- Ⓖ Rachada
- Ⓗ Irregular
- Ⓘ Maus exemplos

- Aplique uma camada fina de óleo refrigerante na superfície de encaixe do tubo. (Fig. 5-8)
- Para a ligação, primeiro alinhe o centro e depois aperte as primeiras 3 ou 4 voltas da porca.
- Utilize a tabela de torque de aperto abaixo como um guia para a secção de união do lado da unidade interior, e aperte usando duas chaves. Um aperto excessivo causará danos à secção afunilada.

Tubo de cobre D.E. (mm)	Porca afunilada D.E. (mm)	Binário de Aperto (N·m)
ø6,35	17	14 - 18
ø9,52	22	34 - 42
ø12,7	26	49 - 61
ø15,88	29	68 - 82

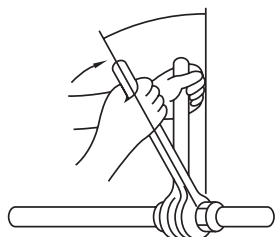


Fig. 5-8

### ⚠ AVISO:

Quando instalar a unidade, ligue os tubos de refrigerante firmemente antes de ligar o compressor.

### ⚠ AVISO:

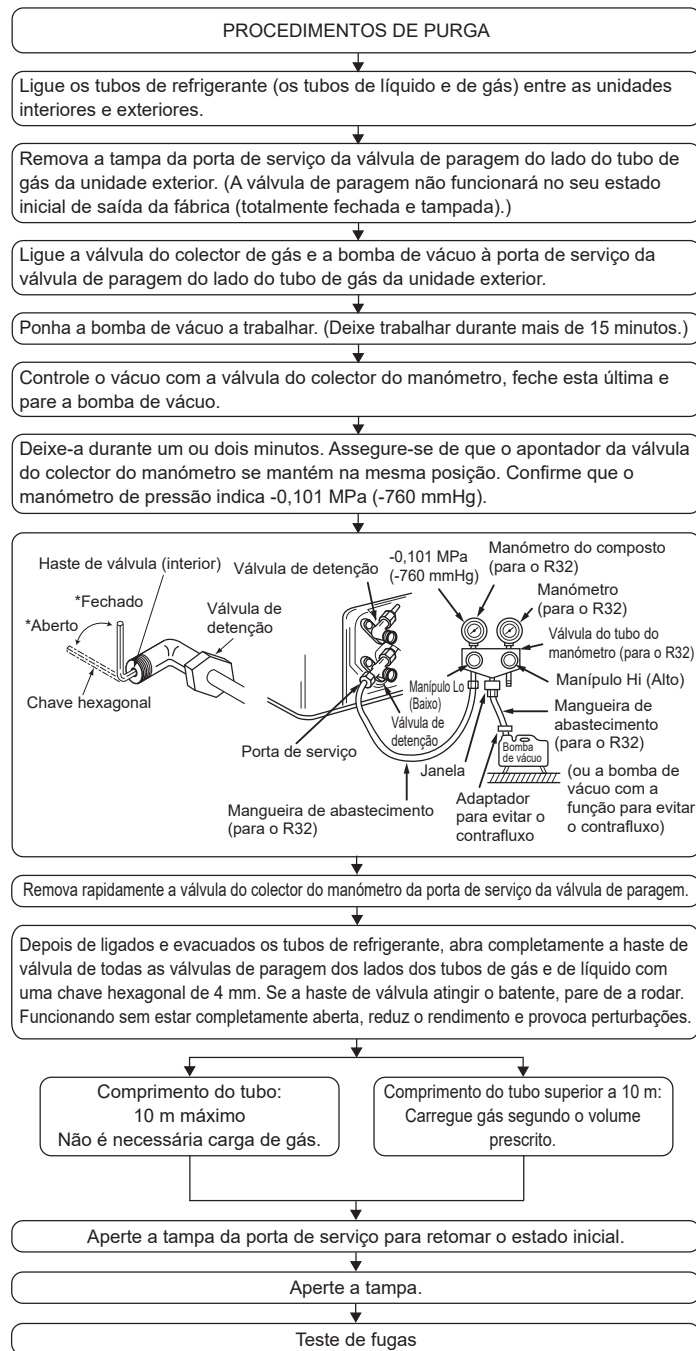
Tenha cuidado com a porca do tubo! (Internamente pressurizada)

Retire a porca do tubo da seguinte maneira:

1. Solte a porca até que ouça um som de assobio.
2. Não retire a porca até que o gás tenha sido completamente liberto (isto é, até o som de assobio parar).
3. Verifique se o gás foi completamente liberto e depois retire a porca.

## 5. Instalação da tubagem do refrigerante

### 5.3. Teste de fugas dos procedimentos de purga

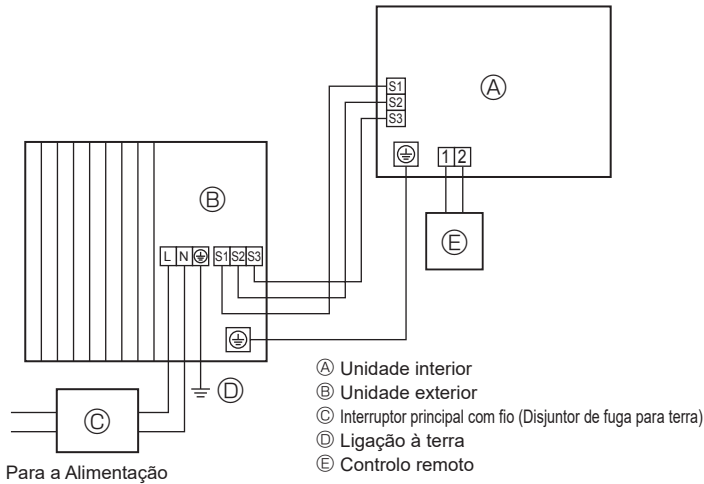


## 6. Trabalho de electricidade

### 6.1. Unidade exterior (Fig. 6-1, Fig. 6-2, Fig. 6-3)

- ① Retire o painel de serviço.
- ② Ligue os cabos referentes à Fig. 6-1, Fig. 6-2 e Fig. 6-3.

#### ■ SUZ-SHWM60VAH, SUZ-SWM80VA(H)2, SUZ-SWM100VA(H)



#### ■ SUZ-SHWM30/40VAH, SUZ-SWM30VA, SUZ-SWM40/60VA2

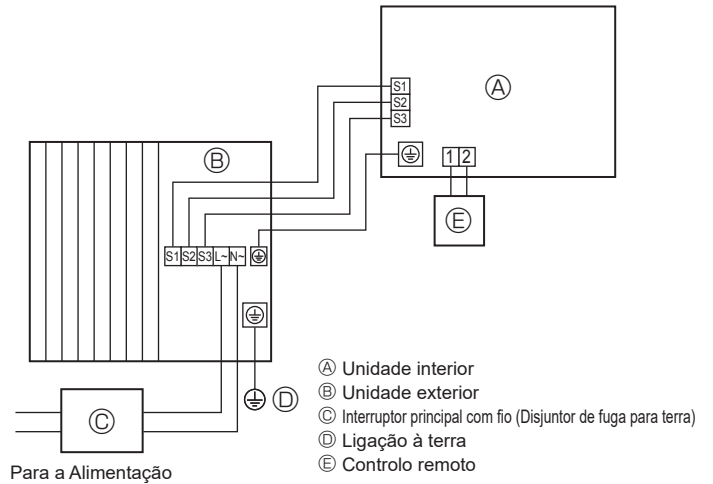


Fig. 6-1

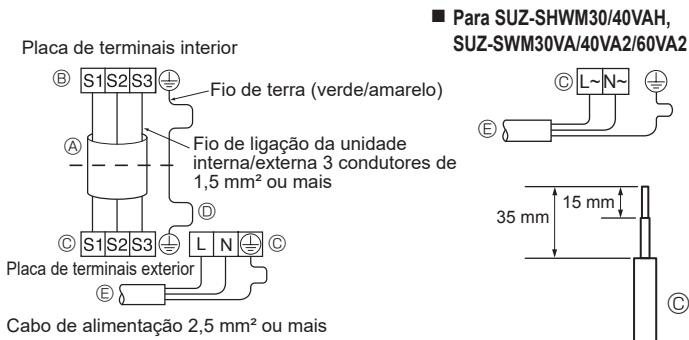
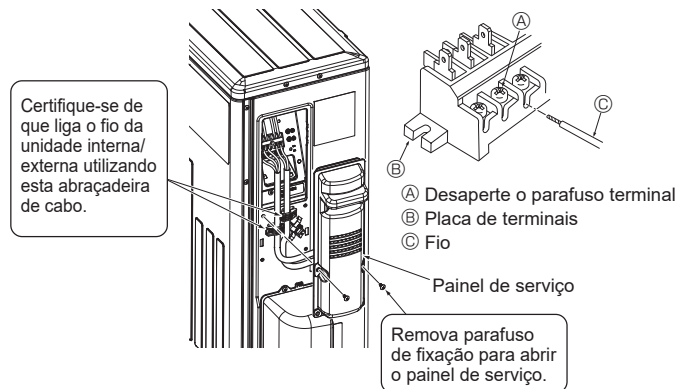


Fig. 6-2

#### ■ SUZ-SWM30VA, SUZ-SWM40VA2, SUZ-SWM60VA2, SUZ-SHWM30VAH, SUZ-SHWM40VAH



#### ■ SUZ-SWM80VA2, SUZ-SWM100VA, SUZ-SWM80VAH2, SUZ-SWM100VAH, SUZ-SHWM60VAH

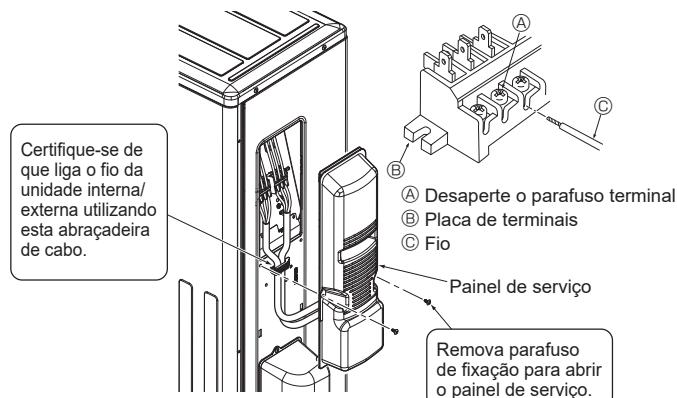


Fig. 6-3

- Faça as ligações tal como demonstrado no diagrama, na parte inferior esquerda. (Obtenha o cabo a nível local) (Fig. 6-2)
- Certifique-se de que utiliza apenas cabos com a devida polaridade.

- A Cabo de ligação  
 B Placa de terminais interior  
 C Placa de terminais exterior  
 D Instale sempre um fio de terra que seja mais comprido do que os outros cabos.  
 E Cabo de alimentação  
 F Fio

- O fio de terra deve ser mais comprido do que os outros. (Mais de 100 mm)
- Para manutenção futura, os fios de ligação devem ficar com um comprimento extra.
- Certifique-se de que aperta cada parafuso no respectivo terminal quando fixar o cabo e/ou o fio ao bloco de terminais.

- Ligue o cabo da unidade interior correctamente ao bloco de terminais.
- Utilize o mesmo bloco de terminais e a mesma polaridade utilizados para a unidade interior.
- Para a manutenção posterior dê comprimento extra para ligar o cabo.

- Ambas as pontas do cabo de ligação (extensão) estão descarnadas. Quando compridas de mais ou ligadas pelo corte do meio descarne o cabo de alimentação conforme o tamanho indicado na figura.
- Tenha cuidado para não encostar o cabo de ligação à tubagem.

### ⚠ CUIDADO:

- Seja prudente para não trocar a cablagem.
- Aperte bem os parafusos do terminal para evitar que se desapertem.
- Após o aperto, puxe ligeiramente os fios para confirmar que não se mexem.

### ⚠ AVISO:

- Fixe bem o painel de serviço da unidade exterior. Se não for fixo correctamente, pode causar incêndio ou choques eléctricos devido a poeira, água, etc.
- Aperte bem os parafusos do terminal.
- A cablagem deve ser feita de tal modo que as linhas eléctricas não sejam submetidas a tensão. De outro modo, pode gerar-se calor ou ocorrer incêndios.



## 6. Trabalho de electricidade

### 6.2. Instalação eléctrica de campo

Modelo da unidade exterior		SUZ-SHWM30VAH/40VAH SUZ-SWM30VA/40VA2/60VA2	SUZ-SHWM60VAH SUZ-SWM80VA(H)2/SWM100VA(H)
Fonte de alimentação da unidade exterior		~N (individual), 50 Hz, 230 V	~N (individual), 50 Hz, 230 V
Capacidade de entrada da unidade exterior Disjuntor de circuito (Disjuntor)	*1	16 A	20 A
N.º × tamanho (mm²) do cabo de ligação eléctrica	Fonte de alimentação da unidade exterior	2 × 2,5 no mín.	2 × 2,5 no mín.
	Ligação à terra da fonte de alimentação da unidade exterior	1 × 2,5 no mín.	1 × 2,5 no mín.
	Unidade interior-Unidade exterior	3 × 1,5 (Polarizado)	3 × 1,5 (Polarizado)
Valor nominal do circuito	Ligação à terra da unidade interior-unidade exterior	1 × 1,5 no mín.	1 × 1,5 no mín.
	Unidade exterior L-N	*2 230 V CA	230 V CA
	S1-S2 da unidade interior-unidade exterior	*2 230 V CA	230 V CA
	S2-S3 da unidade interior-unidade exterior	*2 12 V CC – 24 V CC	12 V CC – 24 V CC

\*1. Deverá dispor de um disjuntor com, pelo menos, 3 mm de distância entre os contactos dos pólos. Utilize um disjuntor de fuga à terra (NV).

Certifique-se de que o disjuntor de corrente de fuga é compatível com harmónicos mais altos.

Utilize sempre um disjuntor de corrente de fuga que seja compatível com harmónicos mais altos, uma vez que esta unidade está equipada com um inversor.

A utilização de um disjuntor inadequado pode provocar o mau funcionamento do inversor.

\*2. Os valores NÃO se aplicam sempre em relação à terra.

O terminal S3 tem uma diferença de 24 V CC em relação ao terminal S2. Contudo, entre os terminais S3 e S1, a ligação NÃO está isolada electricamente pelo transformador ou por outro dispositivo.

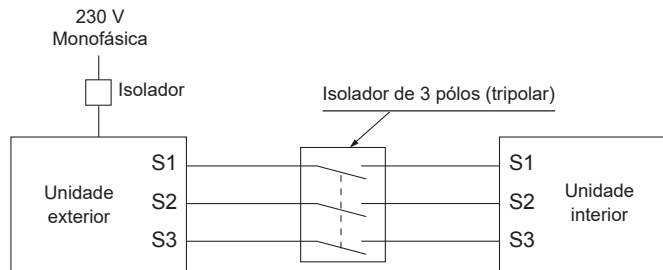
**Notas: 1. A dimensão da cablagem deve estar em conformidade com a legislação local e nacional aplicável.**

**2. Os cabos de alimentação e os cabos de ligação da unidade interior/unidade exterior não devem ser mais leves do que os cabos flexíveis revestidos a policloropreno. (Tipo 60245 IEC 57)**

**3. Instale um fio de terra mais comprido do que os outros cabos.**

**4. Utilize cabos de distribuição auto-extinguíveis para a cablagem da fonte de alimentação.**

**5. Encaminhe adequadamente a cablagem de modo a não fi car em contacto com a extremidade da folha de metal ou a ponta de um parafuso.**



### ⚠ AVISO:

Existe potencial de alta tensão no terminal S3, provocado pelo tipo de circuito eléctrico sem qualquer isolamento entre a linha de tensão e a linha de sinal de comunicação. Por conseguinte, desligue a fonte de alimentação principal ao fazer qualquer reparação. Além disso, não toque nos terminais S1, S2 e S3 enquanto a corrente estiver ligada. Se tiver de utilizar um isolador entre a unidade interior e a exterior, utilize um de 3 pólos (tripolar).

Nunca use o cabo de alimentação ou o cabo de ligação interior-exterior, caso contrário pode resultar em fumo, incêndio ou uma falha de comunicação.

Certifique-se de que liga os cabos de ligação interior/exterior directamente às unidades (sem ligações intermédias).

As ligações intermédias podem provocar erros de comunicação caso se dê a entrada de água nos cabos e provocar isolamento à terra insuficiente ou um mau contacto eléctrico no ponto de ligação intermédio.

## 7. Manutenção

### 7.1. Carregamento de gás (Fig. 7-1)

1. Ligue a botija de gás à porta de serviço da válvula de paragem (3-vias).
2. Purgue o ar do tubo (ou mangueira) proveniente do cilindro de gás refrigerante.
3. Refaça o volume de refrigerante especificado, enquanto a bomba de calor ar-água funciona em modo de arrefecimento.

Nota:

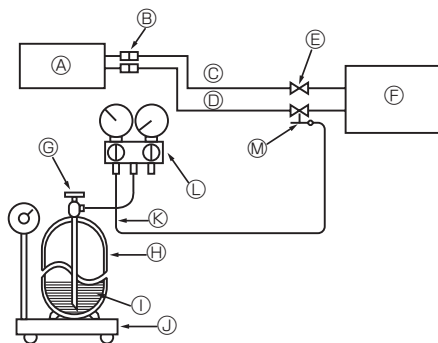
No caso de adicionar refrigerante, adicione de acordo com a quantidade especificada para o ciclo de refrigerante.

### ⚠ CUIDADO:

- Não descarregue o refrigerante na atmosfera. Tenha cuidado para não descarregar refrigerante para a atmosfera durante a instalação, reinstalação, ou reparações no circuito de refrigerante.
- Para o abastecimento adicional, adicione o refrigerante no estado líquido da botija de gás.

Se o refrigerante for adicionado a partir do estado gasoso, poderá verificarse uma alteração na composição do mesmo no interior da botija e na unidade exterior. Neste caso, a capacidade do ciclo de refrigeração diminui ou não é possível funcionar normalmente. Contudo, o abastecimento do refrigerante líquido de uma só vez poderá ocasionar o bloqueio do compressor. Por isso, adicione o refrigerante lentamente.

Para manter a pressão do cilindro de gás alta durante a época fria, aqueça-o com água morna (menos de 40°C). Nunca use fogo ou vapor.



- (A) Unidade interior
- (B) União
- (C) Tubo de líquido
- (D) Tubo de gás
- (E) Válvula de detenção
- (F) Unidade exterior
- (G) Válvula de operação do cilindro de gás refrigerante
- (H) Cilindro de gás refrigerante para o R32 com sifão
- (I) Refrigerante (líquido)
- (J) Balança electrónica para carregamento de refrigerante
- (K) Mangueira de abastecimento (para o R32)
- (L) Válvula de borboleta do manómetro (para o R32)
- (M) Porta de serviço

Fig. 7-1

## 8. Trabalho de tubagem de água

### 8.1. Quantidade mínima da água

Consulte o manual de instalação da unidade interior.

### 8.2. Intervalo disponível (caudal de água, temp. da água de retorno)

Assegure a média de fluxo de água seguinte e o intervalo de temperatura de retorno no circuito de água. Estas curvas referem-se à quantidade de água.

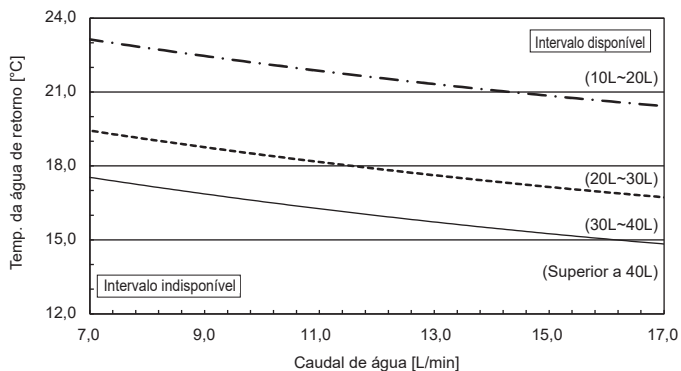
#### ■ Aquecimento

SUZ-SWM30VA SUZ-SHWM30VAH

SUZ-SWM40VA2 SUZ-SHWM40VAH

SUZ-SWM60VA2

Temperatura mínima da água de retorno devido à quantidade de água do sistema

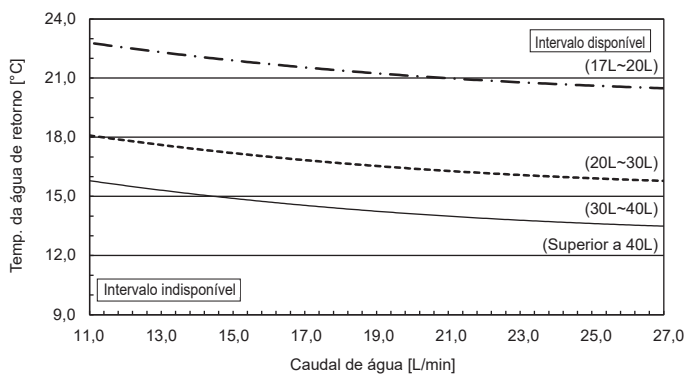


SUZ-SWM80VA(H)2

SUZ-SWM100VA(H)

SUZ-SHWM60VAH

Temperatura mínima da água de retorno devido à quantidade de água do sistema



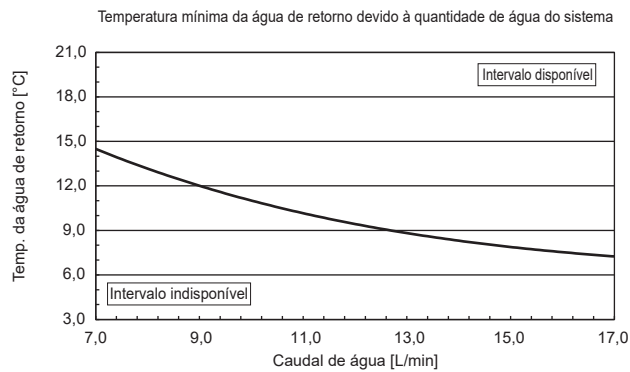
#### Nota:

- Evite o intervalo indisponível durante o processo de descongelamento. Caso contrário, a unidade exterior não descongelará o suficiente e/ou o permutador de calor da unidade interior poderá congelar.
- A temperatura do fluxo NUNCA DEVE ser inferior a 32°C quando a temperatura exterior desce abaixo dos -15°C. Potenciais riscos do permutador de calor de placas congelar e ficar danificada, e também do permutador de calor de placas externo congelar devido a descongelação insuficiente.

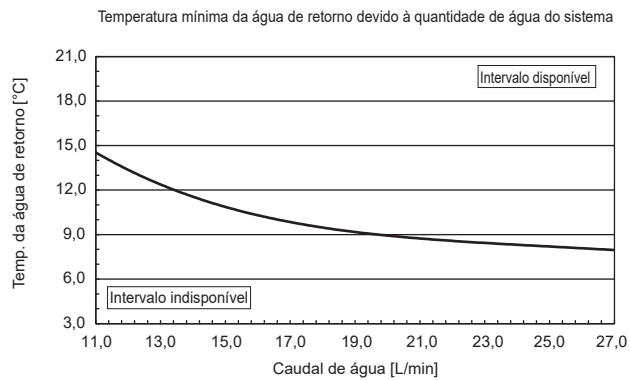
## 8. Trabalho de tubagem de água

### ■ Arrefecimento

SUZ-SWM30VA SUZ-SHWM30VAH  
SUZ-SWM40VA2 SUZ-SHWM40VAH  
SUZ-SWM60VA2



SUZ-SWM80VA(H)2  
SUZ-SWM100VA(H)  
SUZ-SHWM60VAH



#### Nota:

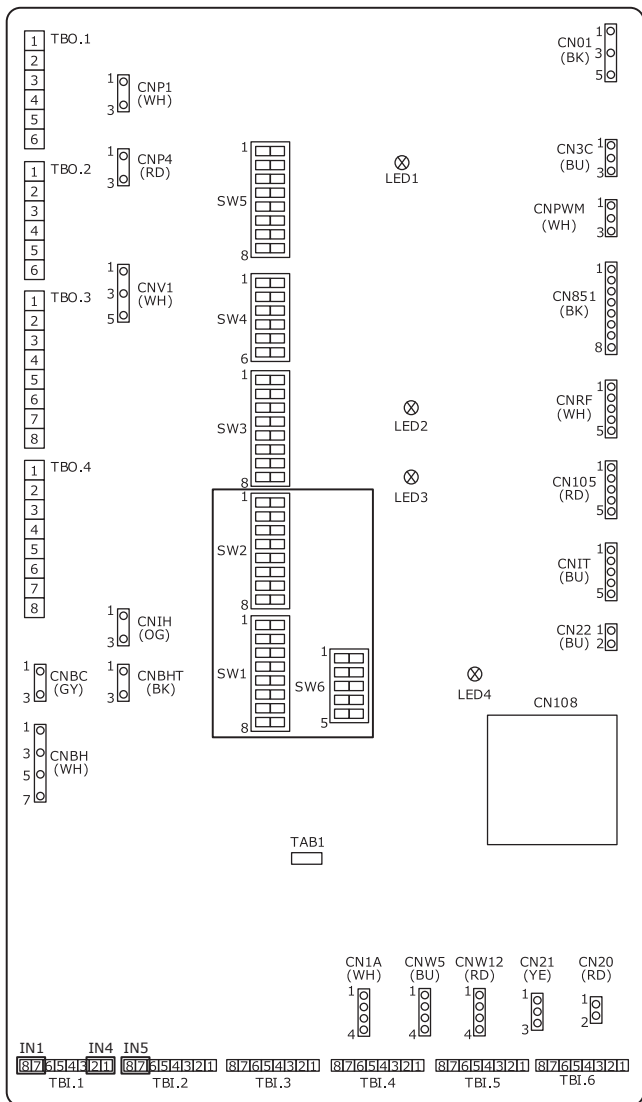
Evite o intervalo indisponível durante o processo de descongelamento.

Caso contrário, a unidade exterior não descongelará o suficiente e/ou o permutador de calor da unidade interior poderá congelar.

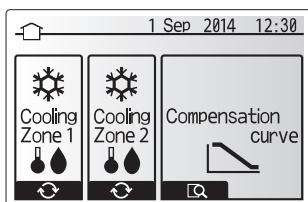
## 9. Bombagem

Quando mudar a unidade exterior de sítio ou quando se desfizer desta, bombeie o sistema efectuando o procedimento apresentado em seguida, de modo a que não seja libertado refrigerante para a atmosfera.

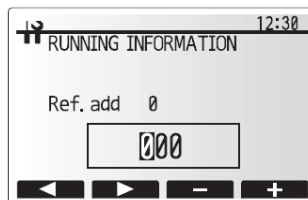
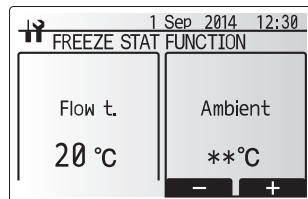
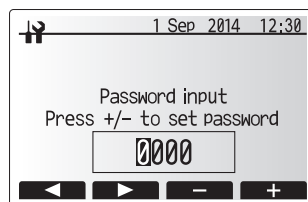
- ① Desligue todo o circuito de alimentação (incluindo a unidade interior, o aquecedor, a unidade exterior, etc.)
- ② Ligue a válvula de borboleta do manómetro à porta de serviço da válvula de retenção do lado do tubo do gás da unidade exterior.
- ③ Feche completamente a válvula de retenção do lado do tubo do líquido da unidade exterior.
- ④ Altere as definições da unidade interior.
  - No painel de controlo interior, defina o interruptor DIP SW1-3 para OFF, SW2-4 para OFF, SW5-6 para ON e SW6-3 para OFF.
  - Desligue as entradas dos sinais IN1 (entrada do termóstato interior 1), IN4 (entrada de controlo de pedido) e IN5 (entrada do termóstato exterior).



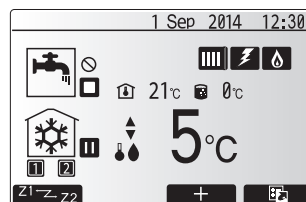
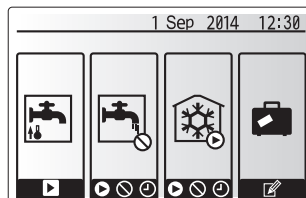
- ⑤ Ligue todo o circuito de alimentação.
- ⑥ No menu principal do controlador principal da unidade interior, seleccione "Heating/cooling mode" (Modo de aquecimento/arrefecimento) → "Cooling flow temp." (Temperatura do fluxo de arrefecimento).



- ⑦ No menu principal, seleccione "Service" (Serviço) e altere a definição da forma apresentada em seguida. Ser-lhe-á solicitada uma palavra-passe. A PALAVRA-PASSE DE FÁBRICA é "0000".
  - Seleccione "Operation settings" (Definições de funcionamento) → "Freeze stat function" (Função de estado de congelamento) e, em seguida, defina a temperatura ambiente exterior mínima para \* (asterisco).
  - Seleccione "Running information" (Informações de funcionamento) e, em seguida, defina o endereço de referência para 351.



- ⑧ Efectue a operação de recolha de refrigerante.
  - Prima o botão "ON/OFF" do controlador principal.
  - No menu de opções, defina "Cooling ON" (Ligar arrefecimento).
  - Defina a temperatura de fluxo pretendida para 5 °C. Se o sistema for controlado por um termostato de temperatura ambiente, defina a temperatura ambiente pretendida para 10 °C.
  - A operação de recolha de refrigerante é iniciada após 60 segundos.
  - Para mais detalhes ou outras informações sobre as definições do controlador principal, consulte o manual de instalação ou o manual de utilização da unidade interior.



Continua na página seguinte.

## 9. Bombagem

- ⑨ Feche completamente a válvula de retenção do lado do tubo do gás da unidade exterior quando o manómetro de pressão apresentar a indicação 0,05 para 0 MPa [Manómetro] (aprox. 0,5 para 0 kgf/cm<sup>2</sup>) e pare rapidamente a unidade exterior.
- Prima o botão "ON/OFF" no controlo remoto para interromper o funcionamento da unidade exterior.
  - \* Tenha em atenção que, quando a tubagem de extensão é demasiado comprida e existe uma grande quantidade de refrigerante, poderá não ser possível efectuar uma operação de bombagem. Neste caso, utilize um equipamento de recuperação de refrigerante para recuperar todo o refrigerante presente no sistema.
- ⑩ Volte a definir o controlador principal para as definições originais que foram alteradas no procedimento ⑨ acima.
- ⑪ Para parar a unidade, prima o botão "ON/OFF" durante cerca de 3 segundos no controlador principal da unidade interior.
- ⑫ Volte a definir o controlador principal para as definições originais que foram alteradas em qualquer outro procedimento, excepto ⑩.
- \* Como repor a definição "Running information" (Informações de funcionamento): Defina o endereço de referência para 350.
- ⑬ Desligue todo o circuito de alimentação e volte a definir o interruptor DIP na placa de circuitos interior para as definições originais.
- ⑭ Retire a válvula do colector do manómetro e desligue os tubos de refrigerante.



### AVISO:

Quando ocorre uma fuga no circuito de refrigerante, **NÃO** proceda à bombagem com o compressor.

Quando proceder à bombagem do refrigerante, desligue o compressor antes de desligar os tubos de refrigerante.

- Se os tubos de refrigerante forem desligados durante o funcionamento do compressor com a válvula de paragem (válvula de esfera) aberta, a pressão no ciclo de refrigeração poderá aumentar excessivamente em caso de aspiração de ar e provocar o rebentamento dos tubos, ferimentos, etc.



### CUIDADO:

**NÃO** utilize este modo de ARREFECIMENTO quando pretender ligar uma unidade interior que não permita o funcionamento no modo de ARREFECIMENTO para qualquer outra finalidade que não a bombagem.

## 10. Especificações

Modelo exterior		SUZ-SWM30VA	SUZ-SHWM30VAH	SUZ-SWM40VA2	SUZ-SHWM40VAH	SUZ-SWM60VA2
Alimentação	V/Fase/Hz	230/Monofásico/50				
Dimensões (L x A x P)	mm	800 x 714 x 285				
Nível de potência sonora (Aquecimento)	*1 dB(A)	57	57	57	58	60
	*2 dB(A)	54	54	54	55	56

Modelo exterior		SUZ-SHWM60VAH	SUZ-SWM80VA(H)2	SUZ-SWM100VA(H)
Alimentação	V/Fase/Hz	230/Monofásico/50		
Dimensões (L x A x P)	mm	840 x 880 x 330		
Nível de potência sonora (Aquecimento)	*1 dB(A)	60	60	62
	*2 dB(A)	58	59	60

\*1. Medido sob a frequência de funcionamento nominal - temperatura ambiente de 7 °C DB/6 °C WB e temperatura de saída de água de 55 °C

\*2. Medido de acordo com a norma EN12102 sob as condições da EN14825

EU DECLARATION OF CONFORMITY  
EU-KONFORMITÄTSEKTLÄRUNG  
DÉCLARATION DE CONFORMITÉ UE  
EU-CONFORMITEITSVERKLARING  
DECLARACIÓN DE CONFORMIDAD UE  
DICHIARAZIONE DI CONFORMITÀ UE  
ΔΗΛΩΣΗ ΣΥΜΜΟΡΦΩΣΗΣ ΕΕ  
DECLARAÇÃO DE CONFORMIDADE UE  
EU-OVERENSSTEMMELSESEKTLÆRING

EG-DEKLARATION OM ÖVERENSSTÄMMELSE  
AV UYGUNLUK BEYAN  
ДЕКЛАРАЦИЯ СООТВЕТСТВИЯ НОРМАМ ЕС  
ДЕКЛАРАЦІЯ ВІДПОВІДНОСТІ ВИМОГАМ ЄС  
ЕС ДЕКЛАРАЦІЯ ЗА СЪОТВЕТСТВИЕ  
DEKLARACJA ZGODNOŚCI UE  
EU-ERKLÆRING OM SAMSVAR  
EU-VAATIMUSTENMUKAISUUSVAKUUTUS  
EU PROHLÁŠENÍ O SHODĚ

EÚ VYHLÁŠENIE O ZHODE  
EU MEGFELELŐSÉGI NYILATKOZAT  
IZJAVA EU O SKLADNOSTI  
DECLARAȚIE DE CONFORMITATE UE  
EL-I VASTAVUSDEKLARATSIOON  
ES ATBILSTĪBAS DEKLARĀCIJA  
ES ATITIKTIES DEKLARACIJA  
EU IZJAVA O SUKLADNOSTI  
EU IZJAVA O USAGLAŠENOSTI

**MITSUBISHI ELECTRIC CONSUMER PRODUCTS (THAILAND) CO., LTD**  
**700/406 MOO 7, TAMBON DON HUA ROH, AMPHUR MUANG, CHONBURI 20000, THAILAND**

hereby declares under its sole responsibility that the air conditioner(s) and heat pump(s) for use in residential, commercial, and light-industrial environments described below:  
erklärt hiermit auf seine alleinige Verantwortung, dass die Klimaanlage(n) und Wärmepumpe(n) für das häusliche, kommerzielle und leichtindustrielle Umfeld wie unten beschrieben:  
déclare par la présente et sous sa propre responsabilité que le(s) climatiseur(s) et la/les pompe(s) à chaleur destinés à un usage dans des environnements résidentiels, commerciaux et d'industrie légère décrits ci-dessous :  
verklaart hierbij onder eigen verantwoordelijkheid dat de voor huishoudelijke, handels- en lichtindustriële omgevingen bestemde airconditioner(s) en warmtepomp(en) zoals onderstaand beschreven:

por la presente declara, bajo su exclusiva responsabilidad, que el(los) acondicionador(es) de aire y la(s) bomba(s) de calor previsto(s) para su uso en entornos residenciales, comerciales y de industria ligera que se describen a continuación:

conferma con la presente, sotto la sua esclusiva responsabilità, che i condizionatori d'aria e le pompe di calore destinati all'utilizzo in ambienti residenziali, commerciali e semi-industriali e descritti di seguito:

με το παρόν δηλώνει με αποκλειστική ευθύνη ότι το ή τα κλιματιστικά και η ή οι αντλίες θερμότητας για χρήση σε οικιακά, εμπορικά και επαγγελματικά περιβάλλοντα που περιγράφονται παρακάτω:

declara pela presente, e sob sua exclusiva responsabilidade, que o(s) aparelho(s) de ar condicionado e a(s) bomba(s) de calor destinados a utilização em ambientes residenciais, comerciais e de indústria ligeira descritos em seguida:

erklærer hermed under eneansvar, at det/de herunder beskrevne airconditionanlæg og varmepumpe(r) til brug i beboelses- og erhvervs miljøer samt i miljøer med let industri:

intyggar härmed att luftkonditioneringarna och värmepumparna som beskrivs nedan för användning i bostäder, kommersiella miljöer och lätta industriella miljöer:

ev, ticaret ve hafif sanayi ortamlarında kullanıma yönelik aşağıda açıklanan klima ve ısıtma pompalarıyla ilgili aşağıdaki hususları yalnızca kendi sorumluluğunda olmak üzere beyan eder:

настоящим заявляет под свою исключительную ответственность, что кондиционер (-ы) и тепловой (-ые) насос (-ы) для использования в описанных ниже жилых, коммерческих и небольших складских и промышленных помещениях:

цим заявляю, беручи на себе повну відповідальність за це, що кондиціонер (-и) й тепловий (-и) насос (-и), описані нижче й призначені для використання в житлових приміщеннях, торговельних залах і на підприємствах легкої промисловості:

декларира с настоящата на своя собствена отговорност, че климатикъ(т)е и термомпата(ите), посочени по-долу и предназначени за употреба в жилища, търговски и лекопромишлени среди:

niniejszym oświadczam na swoją wyłączną odpowiedzialność, że klimatyzatory i pompy ciepła do zastosowań w środowisku mieszkalnym, handlowym i lekko przemysłowym opisane poniżej:

erklærer et fullstendig ansvar for undernevnte klimaapparat og varmepumper ved bruk i boliger, samt kommersielle og lettindustrielle miljøer:

vakuuttaa täten yksinomaista vastuutaan, että jäljempänä kuvutat asuinrakennuksiin, pienteeollisuuskäyttöön ja kaupalliseen käyttöön tarkoitettuihin ilmastointilaitteisiin ja lämpöpumput:

tímto na vlastní odpovědnost prohlašuje, že níže popsané klimatizační jednotky a tepelná čerpadla pro použití v obytných prostředích, komerčních prostředích a prostředích lehkého průmyslu:

týmto na svoju výlučnú zodpovednosť vyhlasuje, že nasledovné klimatizačné jednotky a tepelné čerpadlá určené na používanie v obytných a obchodných priestoroch a v prostredí ľahkého priemyslu:

alulírott kizárólagos felelősségére nyilatkozik, hogy az alábbi lakossági, kereskedelmi és kisipari környezetben való használatra szánt klímaberendezés(ek) és hőszivattyú(k):

na lastno odgovornost izjavlja, da so spodaj opisane klimatske naprave in toplotne črpalke, namenjene za uporabo v stanovanjskih, poslovnih in lahkoindustrijskih okoljih:

declară prin prezenta, pe proprie răspundere, faptul că aparatele de climatizare și pompele de căldură descrise mai jos și destinate utilizării în medii rezidențiale, comerciale și din industria ușoară:

kinnitab oma ainuvastutustel, et allpool toodud elu-, äri- ja kergtööstuskeskkondades kasutamiseks mõeldud kliimaseadmed ja soojuspumbad:

ar šo, vienpersoniski uzņemoties atbildību, paziņo, ka tālāk aprakstītais(-tie) gaisa kondicionētājs(-i) un siltumsūkņis(-i) ir paredzēti lietošanai dzīvojamajās, komercdarbības un vieglās rūpniecības telpās, kas aprakstītas tālāk:

šiuo vien tik savo atsakomybe pareiškia, kad toliau apibūdintas (-i) oro kondicionierius (-iai) ir šilumos siurblys (-iai), skirtas (-i) naudoti toliau apibūdintose gyvenamosiose, komercinėse ir lengvosios pramonės aplinkose:

ovime izjavljuje pod isključivom odgovornošću da je/su klimatizacijski uređaji(i) i toplinska dizalica(e) opisan(i) u nastavku namijenjen(i) za upotrebu u stambenim i poslovnim okruženjima te okruženjima lake industrije:

ovim izjavljuje na svoju isključivu odgovornost da su klima-uređaji i toplotne pumpe za upotrebu u stambenim, komercijalnim okruženjima i okruženjima lake industrije opisani u nastavku:

**MITSUBISHI ELECTRIC, SUZ-SWM30VA\*, SUZ-SWM40VA\*, SUZ-SWM60VA\*, SUZ-SWM80VA\*, SUZ-SWM100VA\***  
**SUZ-SHWM30VAH\*, SUZ-SHWM40VAH\*, SUZ-SHWM60VAH\*, SUZ-SWM80VAH\*, SUZ-SWM100VAH\***  
**\* : , , 1, 2, 3, . . . , 9**

is/are in conformity with provisions of the following Union harmonisation legislation.  
die Bestimmungen der folgenden Harmonisierungsrechtsvorschriften der Union erfüllen/

erfüllen.  
est/sont conforme(s) aux dispositions de la législation d'harmonisation de l'Union

suivante.  
voldoet/voldoen aan bepalingen van de volgende harmonisatiewetgeving van de Unie.

cumple(n) con las disposiciones de la siguiente legislación de armonización de la Unión.

sono in conformità con le disposizioni della seguente normativa dell'Unione sull'armonizzazione.

συμμορφώνονται με τις διατάξεις της ακόλουθης νομοθεσίας εναρμόνισης της Ένωσης.

está/estão em conformidade com as disposições da seguinte legislação de harmonização da União.

er i overensstemmelse med bestemmelse i følgende harmoniserede EU-lovgivning.

uppfyller villkoren i följande harmoniserade föreskrifter inom unionen.

აşağıdaki Avrupa Birliği uyumlaştırma mevzuatının hükümlerine uygundur.

соответствуют положениям следующих законодательных актов Союза о гармонизации.

2014/35/EU: Low Voltage Directive  
2006/42/EC: Machinery Directive  
2014/30/EU: Electromagnetic Compatibility Directive  
2011/65/EU, (EU) 2015/863 and (EU) 2017/2102: RoHS Directive  
2009/125/EC: Energy-related Products Directive and Regulation (EU) No 813/2013

відповідають положенням вказаного далі законодавства Союзу щодо гармонізації.  
е/са в съответствие с разпоредбите на следното законодателство на Съюза за

хармонизация.  
są zgodne z przepisami następującego unijnego prawodawstwa harmonizacyjnego.

er i samsvar med forskriftene til følgende EU-lovgivning om harmonisering.

ovat seuraavan unionin yhdenmukaistamislainsäädännön säännösten mukaisia.

jsou v souladu s ustanoveními následujících harmonizačních právních předpisů Unie.

spĺňajú ustanovenia nasledujúcich harmonizovaných noriem EÚ.

megfelel(nek) az Unió alábbi harmonizációs jogszabályi előírásainak.

in skladu z določbami naslednje usklajevalne zakonodaje Unije.

sunt în conformitate cu dispozițiile următoare legislații de armonizare a Uniunii.

vastavad järgmiste Euroopa Liidu ühtlustatud õigusaktide sätetele.

atbilst šādiem ES harmonizētajiem tiesību aktu noteikumiem.

taip pat atitinka kitų toliau išvardytų suderintųjų Sąjungos direktyvų nuostatas.

sukladan(i) odredbama sljedećeg zakonodavstva Unije za sukladnost.

u skladu sa odredbama sledećeg usklađivanja zakonodavstva Unije.

## <ENGLISH>

English is original. The other languages versions are translation of the original.

### ▲ CAUTION

- Refrigerant leakage may cause suffocation. Provide ventilation in accordance with EN378-1.
- Be sure to wrap insulation around the piping. Direct contact with the bare piping may result in burns or frostbite.
- Never put batteries in your mouth for any reason to avoid accidental ingestion.
- Battery ingestion may cause choking and/or poisoning.
- Install the unit on a rigid structure to prevent excessive operation sound or vibration.
- The A-weighted sound pressure level is below 70dB.
- This appliance is intended to be used by expert or trained users in shops, in light industry and on farms, or for commercial use by lay persons.

## <DEUTSCH>

Das Original ist in Englisch. Die anderen Sprachversionen sind vom Original übersetzt.

### ▲ VORSICHT

- Wenn Kältemittel austritt, kann dies zu Ersticken führen. Sorgen Sie in Übereinstimmung mit EN378-1 für Durchlüftung.
- Die Leitungen müssen isoliert werden. Direkter Kontakt mit nicht isolierten Leitungen kann zu Verbrennungen oder Erfrierungen führen.
- Nehmen Sie niemals Batterien in den Mund, um ein versehentliches Verschlucken zu vermeiden.
- Durch das Verschlucken von Batterien kann es zu Erstickungen und/oder Vergiftungen kommen.
- Installieren Sie das Gerät auf einem stabilen Untergrund, um übermäßige Betriebsgeräusche oder -schwingungen zu vermeiden.
- Der A-gewichtete Schalldruckpegel ist niedriger als 70dB.
- Dieses Gerät ist vorgesehen für die Nutzung durch Fachleute oder geschultes Personal in Werkstätten, in der Leichtindustrie und in landwirtschaftlichen Betrieben oder für die kommerzielle Nutzung durch Laien.

## <FRANÇAIS>

L'anglais est l'original. Les versions fournies dans d'autres langues sont des traductions de l'original.

### ▲ PRECAUTION

- Une fuite de réfrigérant peut entraîner une asphyxie. Fournissez une ventilation adéquate en accord avec la norme EN378-1.
- Assurez-vous que la tuyauterie est enveloppée d'isolant. Un contact direct avec la tuyauterie nue peut entraîner des brûlures ou des engelures.
- Ne mettez jamais des piles dans la bouche pour quelque raison que ce soit pour éviter de les avaler par accident.
- Le fait d'ingérer des piles peut entraîner un étouffement et/ou un empoisonnement.
- Installez l'appareil sur une structure rigide pour prévenir un bruit de fonctionnement et une vibration excessifs.
- Le niveau de pression acoustique pondéré est en dessous de 70 dB.
- Cet appareil est conçu pour un utilisateur expert ou les utilisateurs formés en magasin, dans l'industrie légère et dans l'agriculture ou dans le commerce par le profane.

## <NEDERLANDS>

Het Engels is het origineel. De andere taalversies zijn vertalingen van het origineel.

### ▲ VOORZICHTIG

- Het lekken van koelvloeistof kan verstikking veroorzaken. Zorg voor ventilatie in overeenstemming met EN378-1.
- Isoleer de leidingen met isolatiemateriaal. Direct contact met de onbedekte leidingen kan leiden tot brandwonden of bevriezing.
- Stop nooit batterijen in uw mond om inslikking te voorkomen.
- Het inslikken van batterijen kan verstikking of vergiftiging veroorzaken.
- Installeer het apparaat op een stabiele structuur om overmatig lawaai of trillingen te voorkomen.
- Het niveau van de geluidsdruk ligt onder 70 dB(A).
- Dit apparaat is bedoeld voor gebruik door ervaren of opgeleide gebruikers in werkplaatsen, in de lichte industrie en op boerderijen, of voor commercieel gebruik door leken.

## <ESPAÑOL>

El idioma original del documento es el inglés. Las versiones en los demás idiomas son traducciones del original.

### ▲ CUIDADO

- Las pérdidas de refrigerante pueden causar asfixia. Se debe proporcionar la ventilación determinada en EN378-1.
- Asegúrese de colocar el aislante alrededor de las tuberías. El contacto directo con la tubería puede ocasionar quemaduras o congelación.
- Para evitar una ingestión accidental, no coloque las pilas en su boca bajo ningún concepto.
- La ingestión de las pilas puede causar asfixia y/o envenenamiento.
- Coloque la unidad en una estructura rígida para evitar que se produzcan sonidos o vibraciones excesivos debidos a su funcionamiento.
- El nivel de presión acústica ponderado A es inferior a 70 dB.
- Este aparato está destinado a su uso por parte de usuarios expertos o capacitados en talleres, industrias ligeras y granjas, o a su uso comercial por parte de personas no expertas.

## <ITALIANO>

Il testo originale è redatto in lingua Inglese. Le altre versioni linguistiche rappresentano traduzioni dell'originale.

### ▲ ATTENZIONE

- Le perdite di refrigerante possono causare asfissia. Prevedere una ventilazione adeguata in conformità con la norma EN378-1.
- Accertarsi di applicare materiale isolante intorno alle tubature. Il contatto diretto con le tubature non schermate può provocare ustioni o congelamento.
- Non introdurre in nessun caso le batterie in bocca onde evitare ingestioni accidentali.
- L'ingestione delle batterie può provocare soffocamento e/o avvelenamento.
- Installare l'unità su una struttura rigida in modo da evitare rumore o vibrazioni eccessivi durante il funzionamento.
- Il livello di pressione del suono ponderato A è inferiore a 70dB.
- Questa apparecchiatura è destinata all'utilizzo da parte di utenti esperti o addestrati in negozi, industria leggera o fattorie oppure a un uso commerciale da parte di persone non esperte.

## <ΕΛΛΗΝΙΚΑ>

Η γλώσσα του πρωτοτύπου είναι η αγγλική. Οι εκδόσεις άλλων γλωσσών είναι μεταφράσεις του πρωτοτύπου.

### ▲ ΠΡΟΣΟΧΗ

- Η διαρροή του ψυκτικού ενδέχεται να προκαλέσει ασφυξία. Φροντίστε για τον εξαερισμό σύμφωνα με το πρότυπο EN378-1.
- Φροντίστε να τυλίξετε με μονωτικό υλικό τη σωλήνωση. Η απευθείας επαφή με τη γυμνή σωλήνωση ενδέχεται να προκαλέσει εγκαυμάτα ή κρυοπαγήματα.
- Μη βάζετε ποτέ τις μπαταρίες στο στόμα σας για κανένα λόγο ώστε να αποφύγετε την κατά λάθος κατάποσή τους.
- Η κατάποση μπαταριών μπορεί να προκαλέσει πνιγμό ή/και δηλητηρίαση.
- Εγκαταστήστε τη μονάδα σε σταθερή κατασκευή ώστε να αποφύγετε τον έντονο ήχο λειτουργίας ή τους κραδασμούς.
- Η Α-σταθμισμένη στάθμη ηχητικής πίεσης είναι κάτω των 70dB.
- Η Α-σταθμισμένη στάθμη ηχητικής πίεσης είναι κάτω των 70dB.
- Η συσκευή αυτή προορίζεται για χρήση από εμπειρογούς ή εκπαιδευμένους χρήστες σε καταστήματα, στην ελαφριά βιομηχανία και σε αγροκτήματα, ή για εμπορική χρήση από άτομα τα οποία δεν είναι ειδήμονες.

## <PORTUGUÊS>

O idioma original é o inglês. As versões em outros idiomas são traduções do idioma original.

### ▲ CUIDADO

- A fuga de refrigerante pode causar asfixia. Garanta a ventilação em conformidade com a norma EN378-1.
- Certifique-se de que envolve as tubagens com material de isolamento. O contacto directo com tubagens não isoladas pode resultar em queimaduras ou ulcerações provocadas pelo frio.
- Nunca coloque pilhas na boca, por nenhum motivo, para evitar a ingestão accidental.
- A ingestão de uma pilha pode causar obstrução das vias respiratórias e/ou envenenamento.
- Instale a unidade numa estrutura robusta, de forma a evitar ruídos ou vibrações excessivos durante o funcionamento.
- O nível de pressão sonora ponderado A é inferior a 70 dB.
- Este equipamento destina-se a ser utilizado por especialistas ou utilizadores com formação em lojas, na indústria ligeira e em quintas, ou para utilização comercial por leigos.

## <DANSK>

Engels er originalen. De andre sprogversioner er oversættelser af originalen.

### ▲ FORSIGTIG

- Lækage af kølemiddel kan forårsage kvælning. Sørg for udluftning i overensstemmelse med EN378-1.
- Sørg for at pakke rørene ind i isolering. Direkte kontakt med ubeklædte rør kan forårsage forbrændinger eller forfrysninger.
- Batterier må under ingen omstændigheder tages i munden for at forhindre utilsigtet indtagelse.
- Indtagelse af batterier kan forårsage kvælning og/eller forgiftning.
- Installer enheden på en fast struktur for at forhindre for høje driftslyde eller vibrationer.
- Det A-vægtede lydtrykniveau er under 70dB.
- Dette apparat er beregnet til at blive brugt af eksperter eller udlærte brugere i butikker, inden for let industri og på gårde eller til kommerciel anvendelse af lægmænd.

## <SVENSKA>

Engelska är originalspråket. De övriga språkversionerna är översättningar av originalet.

### ▲ FÖRSIKTIGHET

- Köldmedelsläckage kan leda till kvävning. Tillhandahåll ventilation i enlighet med EN378-1.
- Kom ihåg att linda isolering runt rören. Direktkontakt med bara rör kan leda till brännskador eller köldskador.
- Stoppa aldrig batterier i munnen, de kan sväljas av misstag.
- Om ett batteri sväljs kan det leda till kvävning och/eller förgiftning.
- Montera enheten på ett stadigt underlag för att förhindra höga driftljud och vibrationer.
- Den A-vägdade ljudtrycksnivån är under 70dB.
- Denna apparat är ämnad för användning av experter eller utbildade användare i affärer, inom lätt industri och på lanbruk, eller för kommersiell användning av lekmän.

## <TÜRKÇE>

Aslı İngilizce'dir. Diğer dillerdeki sürümler aslının çevirisidir.

### ▲ DİKKAT

- Soğutucu kaçağı boğulmaya neden olabilir. EN378-1 uyarınca uygun havalandırma sağlayın.
- Borular etrafına yalıtım yapıldığından emin olun. Borulara doğrudan çıplak elle dokunulması yanıklara veya soğuk ısırıklarına neden olabilir.
- Kazara yutmamak için, pilleri kesinlikle hiçbir amaçla ağzınızda tutmayın.
- Pillerin yutulması boğulmaya ve/veya zehirlenmeye yol açabilir.
- Aşırı çalıma seslerini veya titreşimi önlemek için, üniteyi sağlam bir yapı üzerine monte edin.
- A ağırıklı ses gücü seviyesi 70dB'nin altındadır.
- Bu cihaz tölöyelerde, hafif endüstriyel tesislerde ve çiftliklerde uzman veya eğitimli kullanıcılar tarafından kullanılmak üzere veya normal kullanıcılar tarafından ticari kullanım için tasarlanmıştır.

## <РУССКИЙ>

Языком оригинала является английский. Версии на других языках являются переводом оригинала.

### ▲ ОСТОРОЖНО

- Утечка хладагента может стать причиной удушья. Обеспечьте вентиляцию в соответствии с EN378-1.
- Обязательно оберните трубы изоляционным материалом. Непосредственный контакт с неизолированным трубопроводом может привести к ожогам или обморожению.
- Запрещается класть элементы питания в рот по каким бы то ни было причинам во избежание случайного проглатывания.
- Попадание элемента питания в пищеварительную систему может стать причиной удушья и/или отравления.
- Устанавливайте устройство на жесткую структуру во избежание чрезмерного шума или чрезмерной вибрации во время работы.
- Уровень звукового давления по шкале A не превышает 70 дБ.
- Данное устройство предназначено для использования специалистами или обученным персоналом в магазинах, на предприятиях легкой промышленности и фермах или для коммерческого применения неспециалистами.

## <УКРАЇНСЬКА>

Переклад оригіналу. Текст іншими мовами є перекладом оригіналу.

### ▲ ОБЕРЕЖНО

- Виток холодагента може призвести до удушся. Необхідно забезпечити вентиляцію відповідно до стандарту EN 378-1.
- Труби необхідно обмотати ізоляційним матеріалом. Прямий контакт із непокритою трубою може призвести до опіку або обмороження.
- Забороняється класти елементи живлення в рот із будь-яких причин, оскільки є ризик випадково їх проковтнути.
- Попадання елемента живлення в травну систему може стати причиною задхуки та/або отруєння.
- Встановлюйте блок на міцній конструкції, щоб уникнути надмірного рівня звуку роботи або вібрації.
- Рівень амплітудно зваженого акустичного тиску становить нижче 70 дБ.
- Цей прилад призначається для використання спеціалістами або особами, що пройшли відповідне навчання, у кранницях, легкій промисловості та сільськогосподарських підприємствах, а також для комерційного використання неспеціалістами.

## <БЪЛГАРСКИ>

Оригиналът е текстът на английски език. Версиите на други езици са преводи на оригинала.

### ▲ ВНИМАНИЕ

- Изтичането на хладилен агент може да причини задушаване. Осигурете вентилация съобразно с EN378-1.
- Не забравяйте да уветите изолация около тръбите. Директният контакт с оголени тръби може да причини изгаряне или измръзване.
- При никакви обстоятелства не поставяйте батериите в устата си, за да не ги поглънете по невнимание.
- Това може да доведе до задушаване и/или натравяне.
- Монтирайте тялото върху твърда конструкция, за да предотвратите прекомерен шум или вибрации по време на работа.
- А-претегленото ниво на звуково налягане е под 70 dB.
- Този уред е предназначен за използване от експерти или обучени потребители в магазини, в леката промисленост и във ферми, или за търговска употреба от неспециалисти.





Please be sure to put the contact address/telephone number on this manual before handing it to the customer.

**mitsubishi electric corporation**

HEAD OFFICE: TOKYO BUILDING, 2-7-3, MARUNOUCHI, CHIYODA-KU, TOKYO 100-8310, JAPAN

# Air to Water Heat Pump SUZ-SWM·VA(H) series SUZ-SHWM·VAH series

INSTALLATION MANUAL	FOR INSTALLER	English
INSTALLATIONSHANDBUCH	FÜR INSTALLATEURE	Deutsch
MANUEL D'INSTALLATION	POUR L'INSTALLATEUR	Français
INSTALLATIEHANDLEIDING	VOOR DE INSTALLATEUR	Nederlands
MANUAL DE INSTALACIÓN	PARA EL INSTALADOR	Español
MANUALE DI INSTALLAZIONE	PER L'INSTALLATORE	Italiano
ΕΓΧΕΙΡΙΔΙΟ ΟΔΗΓΙΩΝ ΕΓΚΑΤΑΣΤΑΣΗΣ	ΓΙΑ ΑΥΤΟΝ ΠΟΥ ΚΑΝΕΙ ΤΗΝ ΕΓΚΑΤΑΣΤΑΣΗ	Ελληνικά
MANUAL DE INSTALAÇÃO	PARA O INSTALADOR	Português
INSTALLATIONSMANUAL	TIL INSTALLATØREN	Dansk
INSTALLATIONSMANUAL	FÖR INSTALLATÖREN	Svenska
MONTAJ ELKİTABI	MONTÖR İÇİN	Türkçe
РУКОВОДСТВО ПО УСТАНОВКЕ	ДЛЯ УСТАНОВИТЕЛЯ	Русский
ПОСІБНИК З УСТАНОВЛЕННЯ	ДЛЯ СПЕЦІАЛІСТА З МОНТАЖУ	Українська
РЪКОВОДСТВО ЗА МОНТАЖ	ЗА МОНТАЖНИКА	Български
INSTRUKCJA MONTAŻU	DLA INSTALATORA	Polski
INSTALLASJONSHÅNDBOK	FOR MONTØR	Norsk
ASENNUSOPAS	ASENTAJALLE	Suomi
INSTALAČNÍ PŘÍRUČKA	PRO MONTÁŽNÍ PRACOVNÍKY	Čeština
NÁVOD NA INŠTALÁCIU	PRE MONTÉRA	Slovenčina
TELEPÍTÉSI KÉZIKÖNYV	A TELEPÍTŐ RÉSZÉRE	Magyar
NAMESTITVENI PRIROČNIK	ZA MONTERJA	Slovenščina
MANUAL DE INSTALARE	PENTRU INSTALATOR	Română
PAIGALDUSJUHEND	PAIGALDAJALE	Eesti
MONTĀŽAS ROKASGRĀMATA	UZSTĀDĪŠANAS SPECIĀLISTAM	Latviski
MONTAVIMO VADOVAS	SKIRTA MONTUOTOJUI	Lietuviškai
PRIRUČNIK ZA POSTAVLJANJE	ZA INSTALATERA	Hrvatski
UPUTSTVO ZA UGRADNJU	ZA MONTERA	Srpski

1. Sikkerhedsforanstaltninger	1	6. Elarbejde	9
2. Valg af installationssted	3	7. Vedligeholdelse	10
3. Installationsdiagram	5	8. Arbejde på vandledning	11
4. Afløbsrør til udendørsenhed	5	9. Tømning	13
5. Rørføring for kølerør	6	10. Specifikationer	14



**Bemærk:** Dette symbol gælder kun for EU-lande.  
**Dette symbol er i overensstemmelse med direktiv 2012/19/EU paragraf 14 Oplysninger til brugere og tillæg IX.**  
 Dit produkt fra MITSUBISHI ELECTRIC er designet og fremstillet med kvalitetsmaterialer og -komponenter, der kan genbruges.  
 Dette symbol viser, at elektrisk eller elektronisk udstyr ikke må bortskaffes sammen med almindeligt husholdningsaffald efter endt levetid.  
 Bortskaf dette udstyr på en lokal genbrugsplads.  
 I EU er der særskilte indsamlingsordninger for elektriske og elektroniske produkter.  
 Hjælp os med at bevare det miljø, vi lever i!

**⚠ FORSIGTIG:**

- Udluft ikke R32 til atmosfæren.

**1. Sikkerhedsforanstaltninger**

▶ Læs alle "Sikkerhedsforanstaltninger", før De installerer enheden.  
 ▶ De skal forhøre Dem hos forsyningskilden før tilslutning til systemet.

**⚠ ADVARSEL:**

Beskriver sikkerhedsforanstaltninger, der skal træffes, for at undgå personskade eller dødsfald.

**⚠ FORSIGTIG:**

Beskriver forholdsregler, der skal træffes, for at forhindre at enheden bliver beskadiget.

Efter afslutning af installationsarbejdet skal "Sikkerhedsforanstaltninger", brugen og vedligeholdelsen af enheden forklares for kunden ifølge betjeningsvejledningen. Desuden skal der foretages en testkørsel for at sikre normal funktion. Både installations- og betjeningsvejledningen skal overdrages til brugeren. Disse vejledninger skal gives videre til efterfølgende brugere.

⚡ : Angiver en del, der skal jordforbindes.

**⚠ ADVARSEL:**

Læs etiketterne på hovedenheden omhyggeligt.  
 Ⓞ : Indikerer advarsler under brug af R32-kølemiddel.

**BETYDNINGEN AF DE SYMBOLER, DER VISES PÅ INDENDØRSENHEDEN OG/ELLER UDENDØRSENHEDEN**

	<b>ADVARSEL</b> (Risiko for brand)	Dette symbol gælder kun for R32-kølemiddel. Kølemiddeltypen står på udendørsenhedens navneplade. Hvis kølemiddeltypen er R32, anvender denne enhed et brændbart kølemiddel. Hvis kølemiddel lækker og kommer i kontakt med ild eller varmeenheder, dannes der skadelig gas, og der opstår risiko for brand.
	Læs omhyggeligt BETJENINGSVEJLEDNINGEN før drift.	
	Servicepersonale skal omhyggeligt læse BETJENINGSVEJLEDNINGEN og INSTALLATIONSVEJLEDNINGEN før drift.	
	Yderligere oplysninger fremgår af BETJENINGSVEJLEDNINGEN, INSTALLATIONSVEJLEDNINGEN osv.	

**⚠ ADVARSEL:**

- Enheden må ikke installeres af brugeren. Lad en forhandler eller autoriseret tekniker installere og reparere enheden. Hvis enheden ikke installeres korrekt, kan det resultere i vandlækage, elektrisk stød eller brand.
- Foretag installation og flytning i overensstemmelse med installationsmanualen, og brug værktøj og rørdel, der er specielt beregnet til anvendelse sammen med R32-kølemiddel. Hvis der anvendes rørdel, der ikke er konstrueret til R32 kølemiddel og enheden ikke installeres korrekt, kan rørene sprænges og forårsage beskadigelse eller kvæstelse. Der kan desuden opstå vandlækage, elektrisk stød eller brand.
- For at minimere risikoen for beskadigelse som følge af jordskælv, tyfoner eller kraftigt stormvejr skal enheden installeres ifølge vejledningen. En ukorrekt installeret enhed kan falde ned og forårsage beskadigelse eller kvæstelser.
- Enheden skal monteres fast og sikkert på en underkonstruktion, der kan bære dens vægt. Hvis enheden monteres på en ustabil konstruktion, kan den falde ned og forårsage beskadigelse og kvæstelser.
- Hvis luft til vand-pumpen installeres i et lille rum, skal der træffes forholdsregler til at forhindre, at kølemiddelkoncentrationen i rummet overstiger sikkerhedsgrænsen i tilfælde af kølemiddellækage. Kontakt en forhandler mht. de passende forholdsregler til forhindring af, at den tilladte koncentration overskrides. Hvis der opstår lækage af kølemidlet, som forårsager overskridelse af koncentrationsgrænsen, kan der opstå livsfare på grund af manglende ilt i rummet.
- Ventiler rummet hvis der opstår kølemiddellækage under driften. Hvis kølemidlet kommer i kontakt med åben ild, afgives der giftige gasser.
- Alle elinstallationsarbejder skal udføres af en faguddannet elinstallatør og ifølge de lokale bestemmelser og instruktionerne i denne vejledning. Enheden skal forsynes med strøm fra dertil beregnede forsyningsledninger og med den korrekte spænding og korrekte hovedafbrydere. Strømforsyningsledninger med utilstrækkelig kapacitet eller ukorrekt udført elinstallationsarbejde kan medføre elektrisk stød eller brand.
- Brug C1220 kobber-fosfor legering, for sømløse rør af kobber og kobberlegering, til at samle kølemiddelrør. Hvis rørene ikke samles korrekt, bliver enheden ikke ordentligt jordet, hvilket kan resultere i elektrisk stød.
- Dette apparat er beregnet til at blive brugt af en ekspert eller udlært bruger i butikker, belysningsindustrien, på gårde eller af en ikke-faglært person til kommercielt brug.
- Brug kun de anviste kabler til kabelføring. Kabelforbindelserne skal være sikre, så der ikke er belastning af terminalforbindelserne. Undgå desuden at sammensplejse kabler til kabelføring (medmindre andet er anvist i dette dokument). Manglende overholdelse af disse instruktioner kan medføre overophedning eller brand.
- Hvis forsyningsledningen er beskadiget, skal den udskiftes af producenten, serviceteknikeren eller en lignende kvalificere person for at undgå fare.
- Apparatet skal installeres i overensstemmelse med nationale lovbestemmelser for elektrisk installation.
- Klemkassens dæksel på den udvendige enhed skal skrues godt fast. Hvis dækslet monteres ukorrekt og der kommer støv og fugt ind i enheden, kan der opstå elektrisk stød eller brand.

# 1. Sikkerhedsforanstaltninger

- Ved installation, flytning eller serviceeftersyn af luft-til-vand-varmepumpen må der kun anvendes det specificerede kølemiddel (R32) til fyldning af kølemiddellørene. Det må ikke blandes med nogen anden type kølemiddel, og der må ikke være luft tilbage i rørene. Hvis der blandes luft sammen med kølemidlet, kan det forårsage et unormalt højt tryk i kølemiddelløret og resultere i en eksplosion og andre farlige situationer. Hvis der bruges andre kølemidler end det, der er specificeret for systemet, forårsager det mekanisk driftssvigt eller funktionsfejl i systemet eller nedbrud af enheden. I værste fald kan det føre til en alvorlig hindring for produktsikkerheden.
- Brug kun tilbehør, der er godkendt af Mitsubishi Electric og lad en forhandler eller en autoriseret tekniker installere dem. Hvis tilbehøret ikke installeres korrekt, kan det resultere i vandlækage, elektrisk stød eller brand.
- Enheden må ikke modificeres. Det kan forårsage brand, elektrisk stød, tilskadekomst eller vandlækage.
- Brugeren bør aldrig forsøge at reparere enheden eller flytte den til en anden placering. Hvis enheden ikke installeres korrekt, kan det resultere i vandlækage, elektrisk stød eller brand. Hvis luft til vand-pumpen skal repareres eller flyttes, skal det gøres af en forhandler eller en autoriseret tekniker.
- Hvis der er en lækage i kølemiddelløbet, må der IKKE udføres en tømning med kompressoren.
- Ved tømning af kølemiddel skal kompressoren stoppes, før kølerørene afmonteres. Kompressoren kan revne, hvis der kommer luft eller lignende ind i den.
- Når installationen er afsluttet, kontrolleres for kølemiddellækager. Hvis kølemiddel løber ud i rummet og kommer i kontakt med åben ild (f.eks. flammen på en opvarmingsenhed eller et transportabelt kogeudstyr), vil der opstå giftige gasser.
- Forsøg ikke at fremskynde afrimningsprocessen eller at rengøre på andre måder end dem, der er anbefalet af producenten.
- Udstyret skal opbevares i et lokale uden kontinuerlige antændelseskilder (f.eks. åben ild, et tændt gasapparat eller et tændt, elektrisk varmeapparat).

- Må ikke gennembøres eller brændes.
- Vær opmærksom på, at kølemiddel muligvis ikke kan lugtes.
- Rørledninger skal beskyttes mod fysisk skade.
- Installation af rørledning skal være minimal.
- Nationale gasbestemmelser skal overholdes.
- Hold de nødvendige ventilationsåbninger fri for forhindringer.
- Brug ikke lodmetal til lav temperatur ved lodning af kølemiddellørene.
- Udluft rummet tilstrækkeligt under lodning. Kontroller, at der ikke befinder sig farlige eller brændbare materialer i nærheden. Ved udførelse af arbejdet i et lukket eller lille rum eller på et lignende sted skal det før arbejdet sikres, at der ikke er kølemiddellækager. Hvis kølemiddellækager akkumuleres, kan de antændes, eller giftig gas kan blive frigivet.
- Apparatet skal opbevares på et godt ventileret sted, hvor rumstørrelsen svarer til det rumareal, der er specificeret for drift.
- Hold gasbrændere, elektriske varmeapparater og andre brandkilder (antændelseskilder) væk fra det sted, hvor installation, reparation og andet arbejde på luft-til-vand-varmepumpen udføres. Hvis kølemiddel kommer i kontakt med åben ild, frigives giftige gasser.
- Undgå at ryge under arbejde på og transport af enheden.
- Tilføj ikke mere end maksimal mængde kølemiddel for hver udendørsenhed. Hvis den overstiger den maksimale mængde kølemiddel, kan det resultere i en brand, når kølemidlet lækker.

## 1.1. Inden installationen

### FORSIGTIG:

- Brug ikke enheden i usædvanlige omgivelser. Hvis luft til vand-pumpen installeres i områder, hvor den udsættes for damp, flygtig olie (inklusive maskinolie) eller svovlholdige gasser, områder med højt saltindhold, f.eks. ved havet, eller områder, hvor enheden kan blive dækket af sne, kan ydelsen blive betydeligt nedsat, og de indvendige dele kan blive beskadiget.
- Installer ikke enheden på steder, hvor brændbare gasser kan slippe ud, opstå, strømme eller samle sig. Hvis der samler sig brændbare gasser omkring enheden, kan det medføre brand eller eksplosion.

- Udendørs enheden danner kondensvand under opvarmningsdriften. Sørg for at der er afløb omkring den udvendige enhed, hvis denne kondensdannelse kan forårsage skader.
- Hvis enheden installeres i et hospital eller et kommunikationsrum, skal man være forberedt på støj og elektronisk interferens. Omformere, husholdningsapparater, højfrekvent medicinaludstyr og radiokommunikationsudstyr kan forårsage, at luft til vand-pumpen fungerer forkert eller ødelægges. Luft til vand-pumpen kan også påvirke medicinaludstyr, kommunikationsudstyr, kvaliteten af skærbilleder og influere på medicinsk behandling.

## 1.2. Inden installation (flytning)

### FORSIGTIG:

- Udvis stor omhyggelighed ved transport eller montering af enhederne. Der skal mindst to personer til at håndtere enheden, da den vejer 20 kg eller mere. Løft ikke i emballagebåndene. Anvend beskyttelseshandsker, når enheden tages ud af emballagen eller flyttes, da hænderne kan blive kvæstet af ribberne eller andre deles kanter.
- Sørg for at bortskaffe emballagen efter gældende regler. Emballagematerialer, som f.eks. søm og andre metal- eller trædele kan forårsage rifter eller andre kvæstelser.

- Grundenheden og tilbehør på udendørsenheden skal regelmæssigt kontrolleres for løse forbindelser, revner eller anden skade. Hvis sådanne defekter ikke repareres, kan enheden falde ned og forårsage skade eller kvæstelser.
- Luft til vand-pumpen må ikke rengøres med vand. Dette kan medføre elektrisk stød.
- Spænd alle brystmøtrikker efter specifikationerne med en momentnøgle. Hvis den spændes for stramt, kan brystmøtrikken knække efter et stykke tid og kølemidlet kan løbe ud.

## 1.3. Inden el-arbejde

### FORSIGTIG:

- Sørg for at installere hovedafbrydere. Hvis de ikke installeres, kan der opstå elektrisk stød.
- Brug standard kabler med tilstrækkelig kapacitet til forsyningsledningerne. Ellers kan der opstå kortslutning, overophedning eller brand.
- Ved installation af forsyningsledningerne må der ikke være træk i kablerne. Hvis tilslutningerne løsnes, kan kablerne springe tilbage eller knække, hvilket kan forårsage overophedning eller brand.

- Sørg for at jordforbinde enheden. Forbind ikke jordledningen til gas- eller vandrør, lynafledere eller telefonjordledninger. Hvis enheden ikke er korrekt jordet, kan det resultere i elektrisk stød.
- Brug mekaniske effektafbrydere (HFI-relæ, hovedafbryder (+B sikring) og effektafbryder i støbt hus) med den specificerede kapacitet. Hvis effektafbryderens kapacitet er større end den specificerede kapacitet, kan det resultere i nedbrud eller brand.

## 1. Sikkerhedsforanstaltninger

### 1.4. Inden start af testkørsel

#### **FORSIGTIG:**

- Tænd hovedafbryderen mere end 12 timer før start af driften. Hvis driften startes straks efter, at hovedafbryderen er tændt, kan der opstå alvorlige skader på de indvendige dele. Sørg for at hovedafbryderen er tændt i hele driftssæsonen.
- Inden start af driften skal det kontrolleres, at alle paneler, beskyttelsesdæksler og andre beskyttelsesdele er korrekt monteret. Roterende, varme eller højspændings dele kan forårsage kvæstelser.

### 1.5. Brug af luft til vand-pumpen med R32-kølemiddel

#### **FORSIGTIG:**

- Brug C1220 kobber-fosfor legering, for sømløse rør af kobber og kobberlegering, til at samle kølemiddele. Kontrollér at det indvendige af rørene er rene og ikke indeholder skadelige forureninger som f.eks. svovlholdige blandinger, oxidanter, affald eller støv. Brug rør med den specificerede tykkelse. (Se 4.1.) Bemærk følgende, hvis eksisterende rør, der har været brugt til R22 kølemiddel, genanvendes.
  - Udskift de eksisterende brystmøtrikker og opkrav de opkravede sektioner igen.
  - Anvend ikke tynde rør. (Se 4.1.)
- Opbevar de rør, der skal anvendes, indendørs og hold begge ender af rørene lukkede indtil lige før lodningen. (Lad knæsamlinger osv. forblive i deres emballage.) Hvis der kommer støv, affald eller fugt ind i kølemiddele, kan det medføre forringelse af olien eller nedbrud af kompressoren.
- Brug ester-olie, ether-olie eller alkylbenzen-olie (i lille mængde) som kølemiddelolie til at smøre på de opkravede sektioner. Hvis mineralolie blandes med kølemiddelolien, kan det forringe olien.

- Rør ikke ved nogen kontakt med våde eller fugtige hænder. Dette kan medføre elektrisk stød.
- Berør ikke kølemiddele med de bare hænder under driften. Kølemiddele er varme eller kolde afhængig af tilstanden af det gennemstrømmende kølemiddel. Hvis rørene berøres, kan der opstå forbrændinger eller forfrysninger.
- Efter standsning af driften skal der ventes i mindst 5 minutter, inden der slukkes på hovedafbryderen. Ellers kan det resultere i vandlækage eller nedbrud.

- Serviceeftersyn skal udføres efter producentens anvisninger.
- Der må ikke anvendes andre kølemidler end R32 kølemiddel. Hvis der anvendes andre kølemidler, vil klorindholdet forringe olien.
- Brug følgende værktøj, der er specielt beregnet til anvendelse sammen med R32 kølemiddel. Følgende værktøj er nødvendigt ved anvendelse af R32 kølemiddel. Ved spørgsmål kontaktes den nærmeste forhandler.

Værktøj (til R32)	
Målermanifold	Opkravningsværktøj
Påfyldningsslange	Størrelsesmåler
Gaslækage detektor	Vakuumpumpeadapter
Momentnøgle	Elektronisk kølemidelpåfyldningsskala

- Sørg for at anvende det korrekte værktøj. Hvis der kommer støv, affald eller fugt ind i kølemiddele, kan det medføre forringelse af kølemiddelolien.

## 2. Valg af installationssted

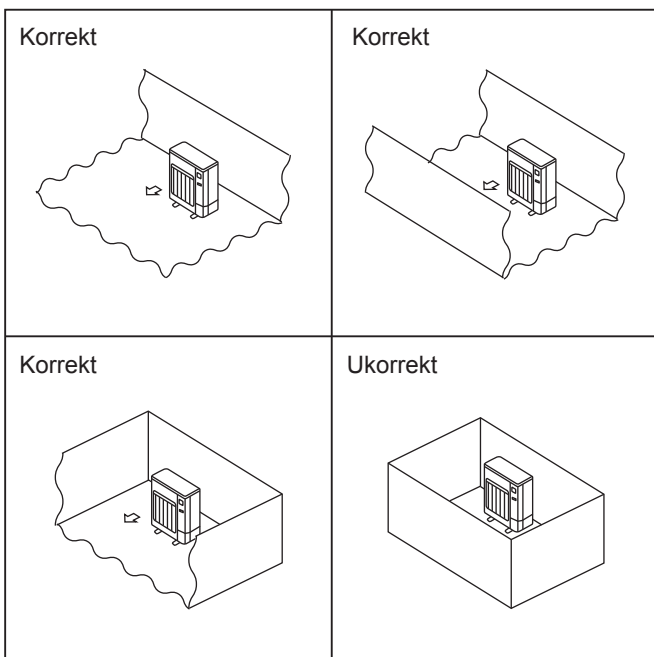


Fig. 2-1

### 2.1. Udendørsenhed

- R32 er – lige som andre typer kølemiddel – tungere end luft, og derfor kan det samle sig ved monteringspladen (nær gulvet). Hvis der samles R32 nær monteringspladen, kan det medføre en brændbar kølemiddelkoncentration, hvis enheden er placeret i et lille rum. Sørg derfor for, at enheden er placeret i et sikkert miljø med passende ventilation for at undgå antændelse. Hvis der konstateres kølemiddellækage i et rum eller område uden tilstrækkelig ventilation, må der ikke anvendes åben ild, før arbejdsmiljøet kan forbedres ved at sikre en passende ventilation.
- Hvor den ikke udsættes for kraftig blæst.
- Hvor luftstrømmen er god og støvfri.
- Hvor den ikke forårsager en kort luftcyklus.
- Hvor naboerne ikke generes af lyd eller varm luft.
- Hvor der forefindes en solid væg eller støtte, der kan forebygge driftsstøj og vibrationer.
- Hvor der ikke er risiko for brandfarlig gasudsving.
- Husk at fastgøre enhedens ben, når den installeres højt.
- Hvor der er mindst 3 m til fjernsyns- eller radioantenne. (Ellers kan der komme forstyrrelser eller støj på billedet).
- Installer det et sted, der ikke påvirkes af snefald eller snefygning. I områder med kraftigt snefald skal der monteres et tag over, en sokkel og/eller nogle skærmpåklædere.
- Monter altid enheden vandret.
- Kølemiddelsrørtilslutninger skal være tilgængelige for vedligeholdelse.
- Installer udendørsenheder på et tilstrækkeligt stort område, hvor mindst én af enhedens fire sider ikke er blokeret, og hvor der ikke er fordybninger. (Fig. 2-1)

#### **FORSIGTIG:**

Undgå installation på følgende steder, hvor der nemt kan opstå problemer med luft-til-vand-varmepumpen.

- Hvor der er for meget maskinolie.
- Hvor der forekommer salt, f.eks. i kystområder.
- I områder med varme kilder.
- Hvor der er sulfidgas.
- Andre steder med særlige atmosfæriske forhold.

Udendørsenheden producerer kondensat under opvarmningsfunktionen. Vælg et installationssted, hvor det sikres, at udendørsenheden og/eller jorden under den ikke bliver våd af drænvand eller beskadiget af frosset drænvand.

## 2. Valg af installationssted

### 2.2. Minimumsområde for installation

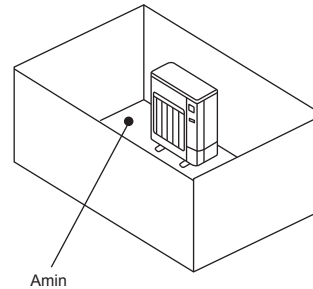
Hvis det ikke kan undgås, at enheden installeres på et sted, hvor alle fire sider er blokeret, eller hvor der er fordybninger, skal det bekræftes, at en af disse situationer (A, B eller C) er gældende.

**Bemærk: Overholdelse af disse forholdsregler garanterer sikker brug af enheden, men ikke optimal ydelse.**

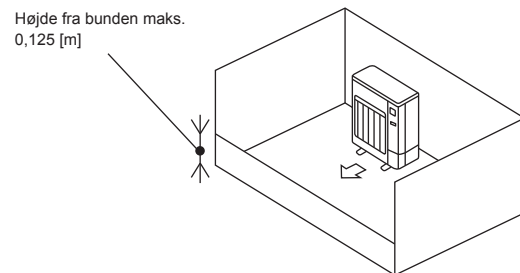
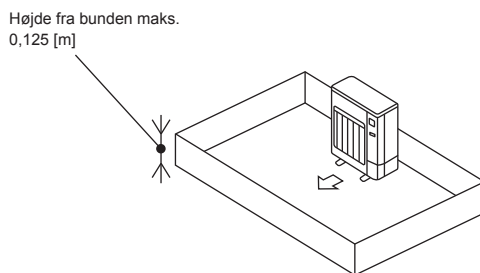
A) Sørg for, at installationsområdet er tilstrækkeligt stort (minimumsområde for installation, Amin).

Installer enheden på et sted, hvor installationsområdet er mindst Amin svarende til kølemiddelmængde M (kølemiddel påfyldt af producenten + kølemiddel tilføjet lokalt).

M [kg]	Amin [m <sup>2</sup> ]
1,0	12
1,5	17
2,0	23
2,5	28
3,0	34
3,5	39
4,0	45
4,5	50
5,0	56
5,5	62
6,0	67
6,5	73
7,0	78
7,5	84



B) Installer på et sted med en fordybning på  $\leq 0,125$  [m].

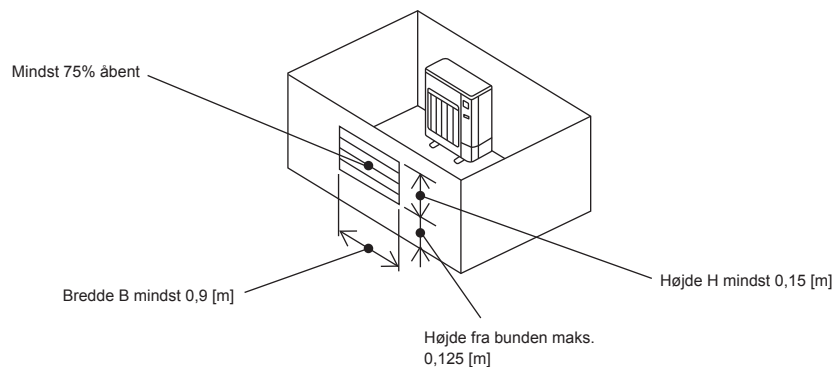


C) Sørg for, at der er et åbent område med tilstrækkelig ventilation.

Sørg for, at det åbne område er mindst 0,9 [m] bredt og mindst 0,15 [m] højt.

Højden fra bunden af installationsområdet til den nederste kant af det åbne område bør dog være maks. 0,125 [m].

Det åbne område skal være mindst 75% åbent.



**Bemærk: Med hensyn til indendørsenheden er der ingen installationsbegrænsninger som følge af brugen af R32-kølemiddel. Se installationsmanualen til indendørsenheden, og kontrollér det påkrævede installationsområde.**

### 3. Installationsdiagram

#### 3.1. Udendørsenhed (Fig. 3-1)

##### Ventilation og serviceplads

- Ⓐ 100 mm eller mere
- Ⓑ 350 mm eller mere
- Ⓒ 500 mm eller mere

Når rørene skal fastgøres på en væg, som er belagt med metal (tin) eller metalnet, anvendes et kemisk behandlet træstykke på mindst 20 mm mellem væggen og røret, eller der vikles 7-8 omgange isolerende vintape rundt om rørene.

Enhederne skal installeres af en autoriseret leverandør i overensstemmelse med de lokale lovkra.

##### Bemærk:

Når luft-til-vand-varmepumpen anvendes ved lave udendørstemperaturer, skal nedenstående instruktioner følges.

- Udendørsenheden må aldrig monteres et sted, hvor luftindtags-/udtagssiden er udsat for direkte blæst.
- For at forhindre, at udendørsenheden udsættes for blæst, monteres den med luftindtagssiden ind mod væggen.
- For at forhindre, at udendørsenheden udsættes for blæst, anbefales det at montere en skærmsplade på luftudtagssiden.

- SUZ-SWM80VA2, SUZ-SWM80VAH2, SUZ-SWM100VA, SUZ-SWM100VAH, SUZ-SHWM60VAH

- SUZ-SWM30VA, SUZ-SWM40VA2, SUZ-SWM60VA2, SUZ-SHWM30VAH, SUZ-SHWM40VAH

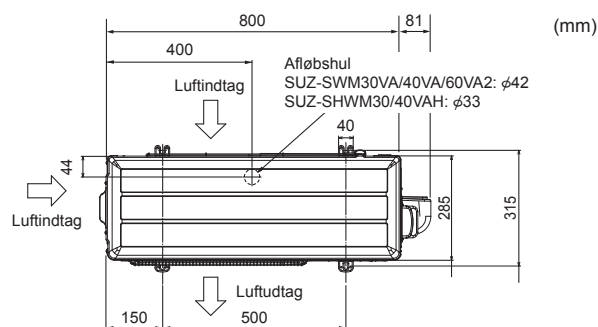
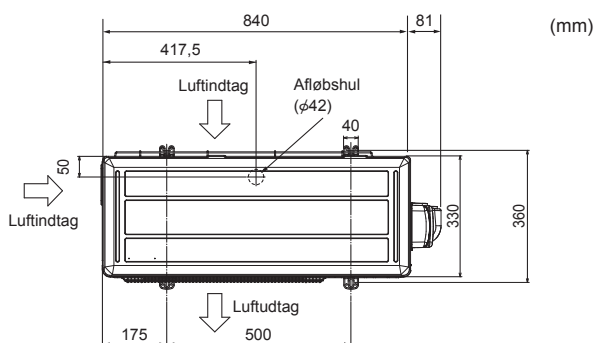
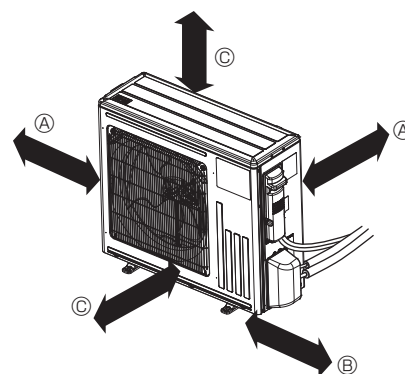
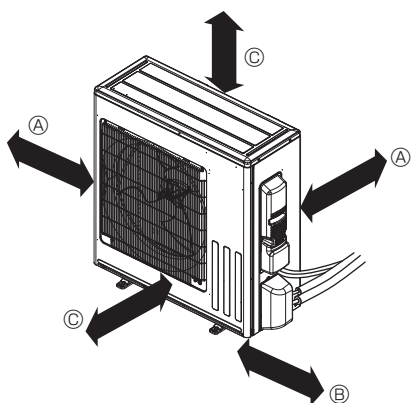


Fig. 3-1

### 4. Afløbsrør til udendørsenhed (Fig. 4-1)

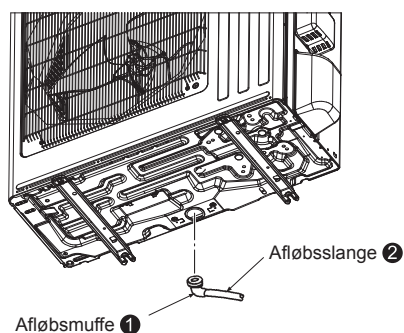


Fig. 4-1

#### 4.1. Tilbehør

Kontroller følgende dele før installation.

<Udendørsenhed>

❶	Afløbssmuffe	1
---	--------------	---

- Monter afløbsrør, før inden- og udendørsenhedens rør tilsluttes. (Det er vanskeligt at installere afløbssmuffen ❶, hvis inden- og udendørsenhedens rørtilslutning udføres før montering af afløbsrørene, fordi udendørsenheden derefter er fastmonteret).
- Tilslut afløbsslangen ❷ (købes i forretning, indvendig diameter: 15 mm) som vist i figuren for afløbet.
- Sørg for, at afløbsrørene har nedadgående fald, så afløbet flyder let.

##### Bemærk:

Afløbssmuffen ❶ må ikke anvendes i kolde områder. Afløbet kan fryse til, og det får ventilatoren til at stoppe.

Afløbssmuffe medfølger ikke i SHWM-serien.

## 5. Rørføring for kølerør

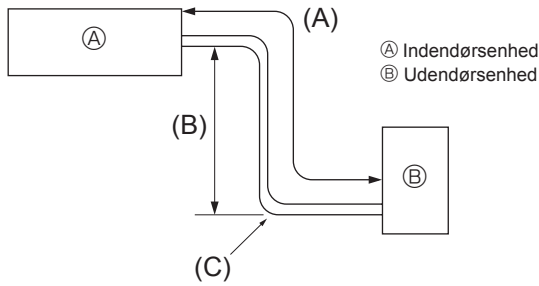


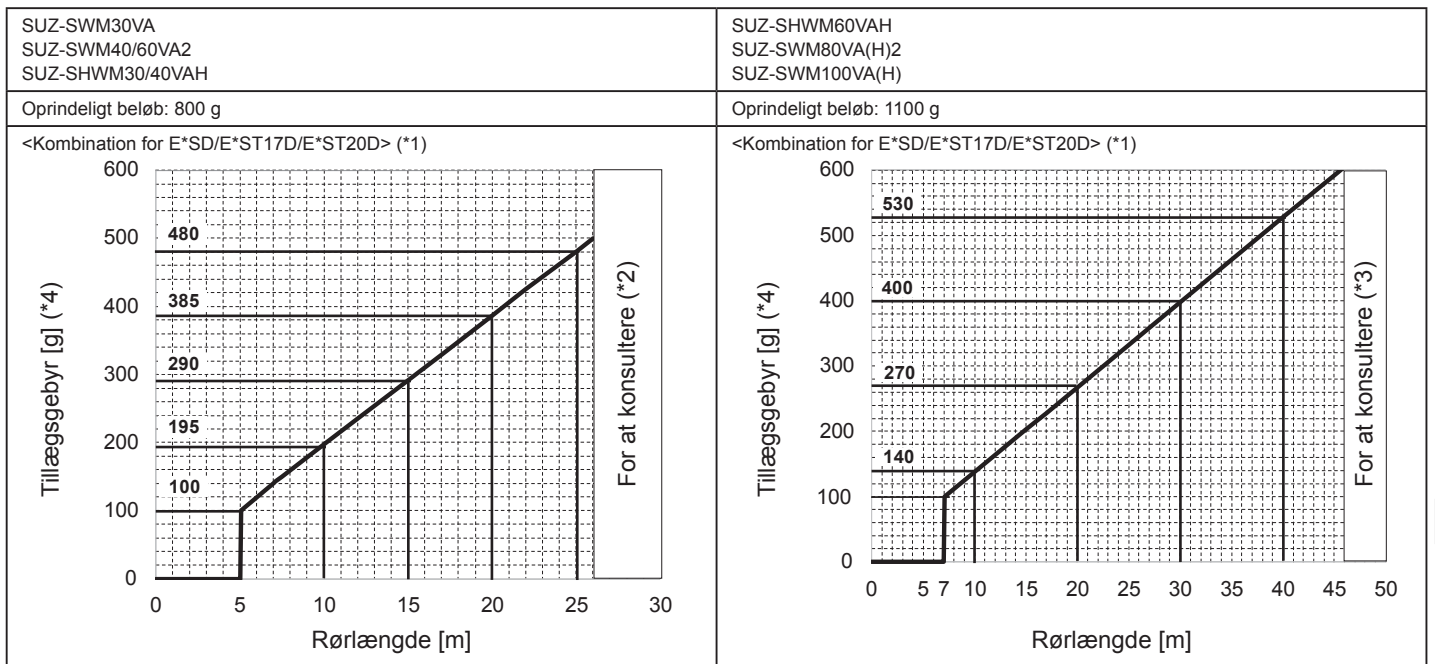
Fig. 5-1

### 5.1. Kølerør (Fig. 5-1)

► Kontroller, at højdeforskellen mellem indendørs- og udendørsenhederne, kølerørets længde og antal krumninger på røret ligger inden for nedenstående grænser.

Modeller	(A) Rørlængde (envejs)	(B) Højde forskel	(C) Antal krumninger (envejs)
SUZ-SWM30VA	2 m - 26 m	Maks. 26 m	Maks. 10
SUZ-SHWM30VAH			
SUZ-SWM40VA2			
SUZ-SHWM40VAH			
SUZ-SWM60VA2	2 m - 46 m	Maks. 30 m	
SUZ-SHWM60VAH			
SUZ-SWM80VA(H)2			
SUZ-SWM100VA(H)			

- Begrænsningerne i højdeforskel gælder, uanset hvilken enhed, inden- eller udendørs, der placeres højest.



\*1. I tilfælde af tilslutning til E\*ST30D skal du ALTID tilføje 50 g oven i tillægsgebyret i henhold til graferne.

\*2. For rørlængder længere end 26 m skal du rådføre dig med vores specialist.

\*3. For rørlængder længere end 46 m skal du rådføre dig med vores specialist.

\*4. I tilfælde af fuld genopladning; oprindeligt beløb + tillægsgebyr

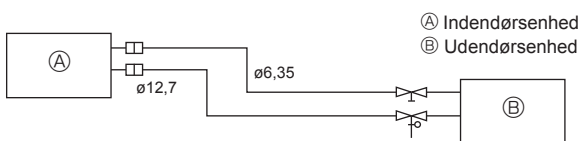


Fig. 5-2

(1) Nedenstående tabel viser specifikationerne for de rør, der er tilgængelige i handelen. (Fig. 5-2)

Model	Rør	Udvendig diameter		Min. væg tykkelse	Isolering tykkelse	Isolering materiale
		mm	tomme			
Alle modeller	Til væske	6,35	1/4	0,8 mm	8 mm	Varmebestandig skumplast med en specifik massefylde på 0,045
	Til gas	12,7	1/2	0,8 mm	8 mm	

(2) Sørg for, at de 2 kølemiddelrør er godt isoleret for at forhindre kondensdannelse.  
(3) Kølerørets rundingsradius skal være 100 mm eller derover.

### ⚠ FORSIGTIG:

Husk at anvende omhyggelig isolering i den angivne tykkelse. For tykt isoleringsmateriale forhindrer korrekt installation af indendørsenheden, og for tyndt isoleringsmateriale skaber kondens.

- Sørg for tilstrækkelig ventilation for at forhindre antændelse. Sørg desuden for at udføre foranstaltninger til brandsikring, så der ikke findes farlige eller brandbare genstande i nærheden af enheden.
- Vedligeholdende genopfyldning af R32: Før enheden genopfyldes med R32, skal det sikres, at strømmen til enheden er fuldstændigt afbrudt for at forhindre eksplosion som følge af elektriske gnister.
- Isoleringsmaterialerne skal opfylde nedenstående specifikationer.
  - (1) Varmeoverførelshastighed: 0,040 W/mK eller derunder
  - (2) Isoleringstykkelse: 9 mm eller derover
  - (3) Varmebestandighed: 110 °C eller derover
 Hvis den udendørs rørlængde overstiger 15 m, skal isoleringstykkelsen være på 18 mm eller derover.



## 5. Rørføring for kølerør

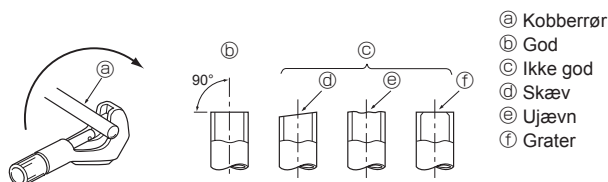


Fig. 5-3

- Ⓐ Kobberrør
- Ⓑ God
- Ⓒ Ikke god
- Ⓓ Skæv
- Ⓔ Ujævn
- Ⓕ Grater

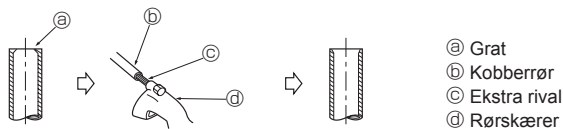


Fig. 5-4

- Ⓐ Grat
- Ⓑ Kobberrør
- Ⓒ Ekstra rival
- Ⓓ Rørskærer

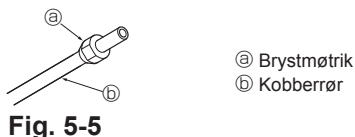


Fig. 5-5

- Ⓐ Brystmøtrik
- Ⓑ Kobberrør

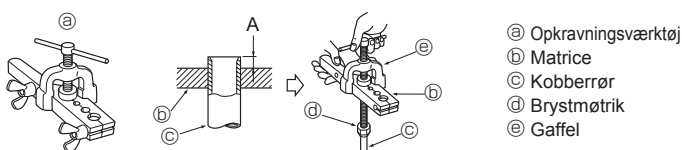


Fig. 5-6

- Ⓐ Opkravningsværktøj
- Ⓑ Matrice
- Ⓒ Kobberrør
- Ⓓ Brystmøtrik
- Ⓔ Gaffel

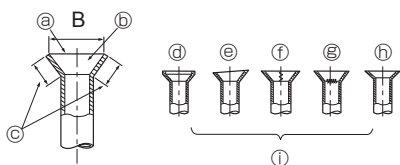


Fig. 5-7

### 5.2. Opkravningsarbejde

- Den vigtigste årsag til gaslækage er ufuldstændigt opkravningsarbejde. Udfør korrekt opkravningsarbejde, idet følgende procedure følges.

#### 5.2.1. Tilskæring af rør (Fig. 5-3)

- Tilskær kobberrøret korrekt ved hjælp af en rørskærer.

#### 5.2.2. Fjernelse af grater (Fig. 5-4)

- Fjern alle grater i rørets tværsnit.
- Placer kobberrørets ende, så den vender nedad, når graterne fjernes. Derved undgås det, at der falder grater ned i røret.

#### 5.2.3. Montering af møtrik (Fig. 5-5)

- Fjern brystmøtrikker på inden- og udendørsenheden, og sæt dem på røret, når graterne er fjernet. (De kan ikke sættes på efter endt opkravningsarbejde).

#### 5.2.4. Opkravningsarbejde (Fig. 5-6)

- Udfør opkravningsarbejdet vha. opkravningsværktøj som vist til venstre.

Rørdiameter (mm)	Dimension	
	A (mm)	B <sup>+0</sup> <sub>-0,4</sub> (mm)
	Når værktøjet til R32 anvendes	
	Koblingstype	
6,35	0 - 0,5	9,1
9,52	0 - 0,5	13,2
12,7	0 - 0,5	16,6
15,88	0 - 0,5	19,7

Hold kobberrøret fast i en matrice med den dimension, som er vist i ovenstående tabel.

#### 5.2.5. Kontrol (Fig. 5-7)

- Sammenlign opkravningsarbejdet med illustrationen til venstre.
- Hvis opkravningen ser ud til at være forkert, skæres den opkravede sektion af, og opkravningsarbejdet udføres igen.

- Ⓐ Glat hele vejen rundt
- Ⓑ Skinnende inderside uden ridser
- Ⓒ Ensartet længde hele vejen rundt
- Ⓓ For meget
- Ⓔ Skæv
- Ⓕ Ridse på opkravning
- Ⓖ Revnet
- Ⓗ Ujævn
- Ⓘ Dårlige eksempler

- Påfør et tyndt lag køleolie på rørets sædeoverflade. (Fig. 5-8)
- Ved tilslutning skal røret først centreres, hvorefter brystmøtrikken spændes 3 til 4 omgange.
- Brug spændingsmomenttabellen nedenfor som en retningslinje for spændingen af samlingerne på indendørsenheden, og spænd ved hjælp af to nøgler. Spænd ikke for hårdt, da det beskadiger den opkravede sektion.

Kobberrør U.D. (mm)	Brystmøtrik U.D. (mm)	Spændingsmoment (N·m)
ø6,35	17	14 - 18
ø9,52	22	34 - 42
ø12,7	26	49 - 61
ø15,88	29	68 - 82

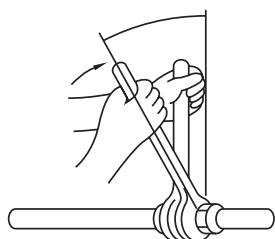


Fig. 5-8

### ⚠ ADVARSEL:

Tilslut omhyggeligt rørene, før kompressoren startes, når enheden installeres.

### ⚠ ADVARSEL:

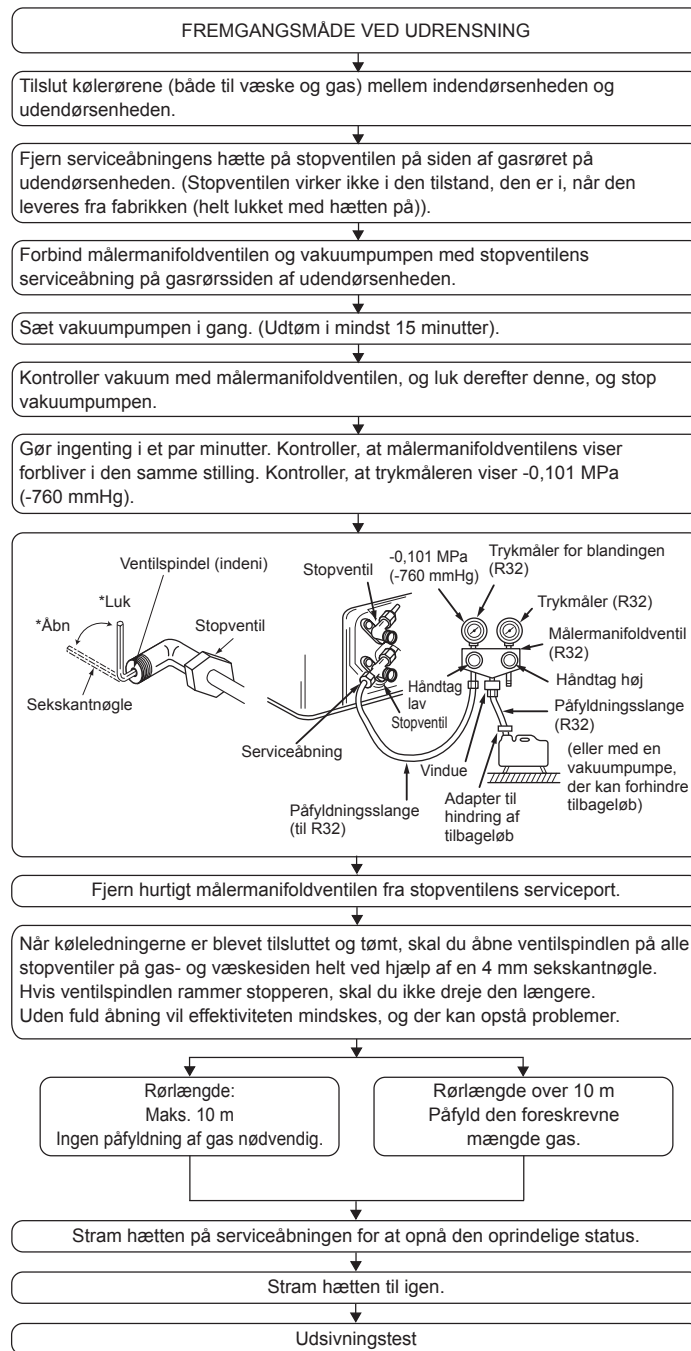
Pas på flyvende brystmøtrik! (Indvendigt tryk)

Brystmøtrikken fjernes, som følger:

1. Møtrikken løsnes, indtil der høres en hvæsende lyd.
2. Møtrikken må først fjernes, når al gassen er væk (dvs. når den hvæsende lyd er ophørt).
3. Kontroller, at gassen er helt væk, og tag derefter møtrikken af.

## 5. Rørføring for kølerør

### 5.3. Fremgangsmåde ved udrensning – udsivningstest



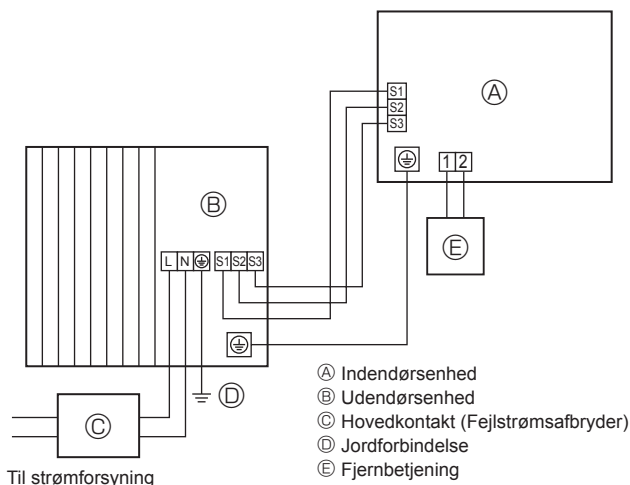
## 6. Elarbejde

### 6.1. Udendørsenhed (Fig. 6-1, Fig. 6-2, Fig. 6-3)

① Fjern servicepanelet.

② Træk kablerne som vist i Fig. 6-1, Fig. 6-2, og Fig. 6-3.

■ SUZ-SHWM60VAH, SUZ-SWM80VA(H)2, SUZ-SWM100VA(H)



■ SUZ-SHWM30/40VAH, SUZ-SWM30VA, SUZ-SWM40/60VA2

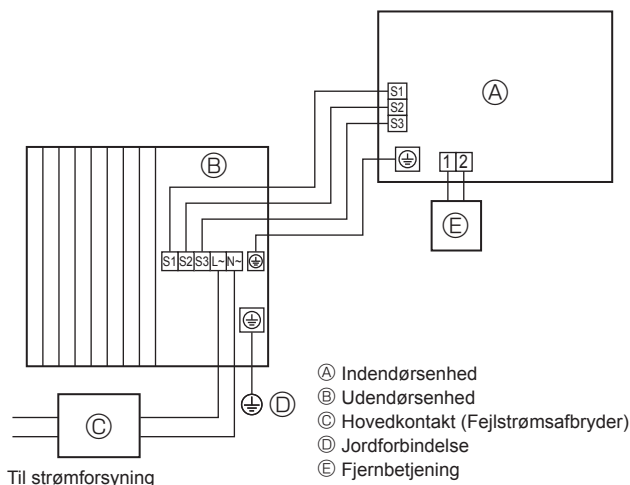


Fig. 6-1

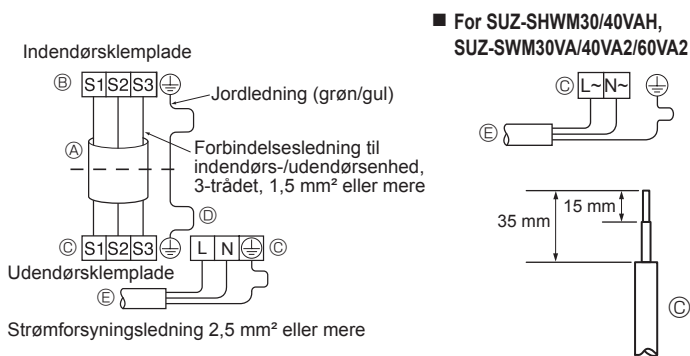
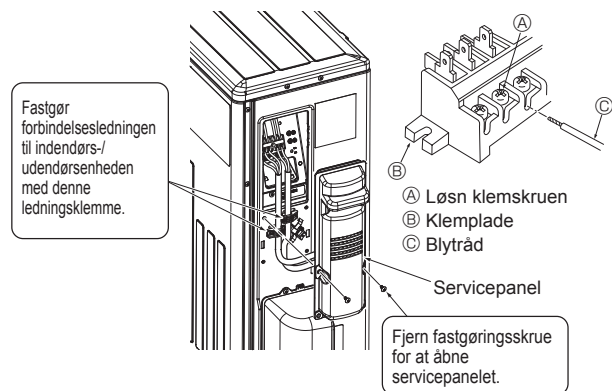


Fig. 6-2

■ SUZ-SWM30VA, SUZ-SWM40VA2, SUZ-SWM60VA2, SUZ-SHWM30VAH, SUZ-SHWM40VAH



■ SUZ-SWM80VA2, SUZ-SWM100VA, SUZ-SWM80VAH2, SUZ-SWM100VAH, SUZ-SHWM60VAH

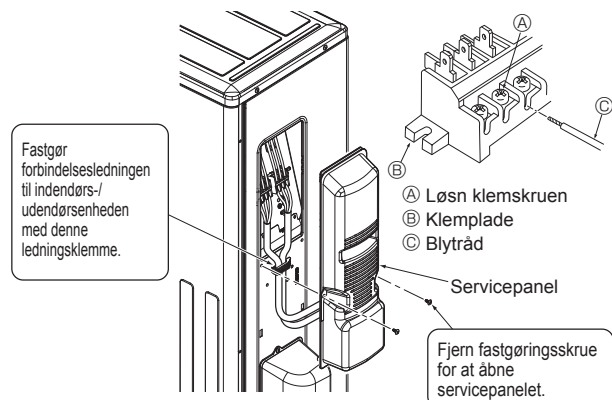


Fig. 6-3

• Ledningerne trækkes som vist nederst til venstre i diagrammet. (Kabel fremskaffes lokalt) (Fig. 6-2)

Sørg for kun at anvende kablerne med den korrekte polaritet.

- A Forbindelseskabel
- B Indendørs klemplade
- C Udendørs klemplade
- D Installer altid et jordkabel, der er længere end andre kabler.
- E Netledning
- F Blytråd

- Gør jordledningen lidt længere end de andre. (Længere end 100 mm)
- Lad ikke forbindelsesledningerne være for korte. Det gør vedligeholdelsen nemmere.
- Sørg for at montere hver skrue på dens tilsvarende klemme, når ledningen og/eller kablet fastgøres til klemkassen.

- Slut kablet fra indendørsenheden korrekt til klempladen.
- Brug den samme klemplade og polaritet som til indendørsenheden.
- Afsæt ekstra kabellængde til service på et senere tidspunkt.

- Begge ender af forbindelseskablet (forlængerledning) fjernes. Når det er for langt eller forbindes ved at skære midten af, fjernes en del af netledningen til den størrelse, som er angivet i figuren.
- Pas på ikke at røre ved rørene med tilslutningskablet.

### ⚠ FORSIGTIG:

- Pas på ikke at udføre forkerte tilslutninger.
- Stram klemeskruerne for at undgå, at de løsnes.
- Træk let i kablerne, når de er strammet, for at kontrollere, at de ikke bevæger sig.

### ⚠ ADVARSEL:

- Sørg for at fastgøre servicepanelet på udendørsenheden. Hvis det monteres forkert, kan det resultere i brand eller elektrisk stød på grund af støv, vand m.m.
- Stram klemeskruerne godt.
- Netledningerne skal trækkes, så de ikke er under spænding. Ellers kan der udvikles varme, eller der kan opstå brand.

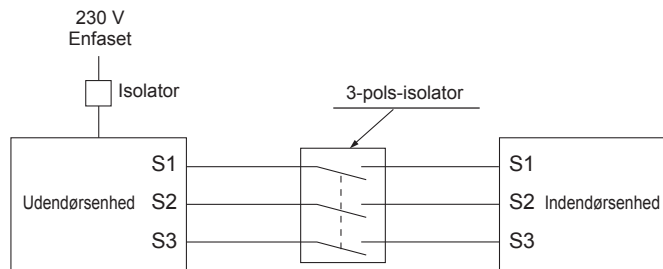
## 6. Elarbejde

### 6.2. Elinstallation på stedet

Udendørsenhed, model		SUZ-SHWM30VAH/40VAH SUZ-SWM30VA/40VA2/60VA2	SUZ-SHWM60VAH SUZ-SWM80VA(H)2/SWM100VA(H)
Strømforsyning til udendørsenhed		~N (enkelt), 50 Hz, 230 V	~N (enkelt), 50 Hz, 230 V
Udendørsenheds indgangskapacitet Hovedkontakt (afbryder)		*1 16 A	20 A
Ledning Ledningsnr. × størrelse (mm <sup>2</sup> )	Strømforsyning til udendørsenhed	2 × min. 2,5	2 × min. 2,5
	Strømforsyning til udendørsenhed, jord	1 × min. 2,5	1 × min. 2,5
	Indendørsenhed-Udendørsenhed	3 × 1,5 (polær)	3 × 1,5 (polær)
Kredsløbsklassifikation	Indendørsenhed-Udendørsenhed, jord	1 × min. 1,5	1 × min. 1,5
	Udendørsenhed L-N	*2 230 VAC	230 VAC
	Indendørsenhed-Udendørsenhed S1-S2	*2 230 VAC	230 VAC
Indendørsenhed-Udendørsenhed S2-S3		*2 12 VDC – 24 VDC	12 VDC – 24 VDC

- \*1. Der skal være en afbryder med mindst 3 mm kontaktadskillelse. Brug en jordet lækageafbryder (NV). Sørg for, at strømledningsafbryderen er kompatibel med højere harmoni. Brug altid en strømledningsafbryder, der er kompatibel med højere harmoni, da denne enhed er udstyret med en omformer. Anvendelse af en utilstrækkelig afbryder kan forårsage ukorrekt funktion af vekselretteren.
- \*2. Tallene er IKKE altid mod jorden. S3-klemmen har 24 VDC mod S2-klemmen. Mellem S3 og S1 er disse klemmer IKKE elektrisk isoleret af transformeren eller andre enheder.

- Bemærk:**
1. Kabelstørrelsen skal overholde den gældende lokale og nationale lovgivning.
  2. Strømforsyningsledningerne og tilslutningsledningerne til indendørs-/udendørsenhedens forbindelsesledning må ikke være lettere end polychloropren-gummibeklædte bøjelige ledninger. (Design 60245 IEC 57)
  3. Installer et jordkabel, der er længere end andre kabler.
  4. Brug selvslukkende distributionskabler til strømforsyningsledninger.
  5. Før ledninger korrekt, så de ikke kommer i kontakt med plademetalkanten eller en skruespids.



### ⚠ ADVARSEL:

Der er højspændingspotentiale på S3-klemmen forårsaget af et design af det elektriske kredsløb, der ikke har elektrisk isolering mellem stærkstrømsledningen og kommunikationssignaledningen. Derfor skal hovedstrømforsyningen altid afbrydes ved udførelse af service og vedligeholdelse. Berør ikke S1, S2 eller S3-klemmerne, når der er strøm på. Hvis isolatoren skal bruges mellem indendørs- og udendørsenheden, skal der bruges en 3-poltype.

Sammensplejs aldrig netkablet eller kablet til indendørs-udendørs-forbindelsen, da dette kan medføre røgudvikling, brand eller kommunikationsfejl.

Sørg for at forbinde indendørs-udendørs forbindelseskablerne direkte til enhederne (ingen mellemliggende forbindelser). Mellemliggende forbindelser kan medføre kommunikationsfejl, hvis der kommer vand ind i kablerne og forårsager utilstrækkelig isolering imod jord eller ringe elektrisk kontakt ved det mellemliggende forbindelsespunkt.

## 7. Vedligeholdelse

### 7.1. Gasladning (Fig. 7-1)

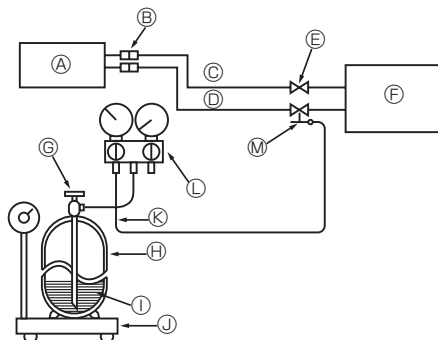
1. Tilslut gascylinderen til stopventilens serviceåbning (3-vejs).
2. Tøm luften ud af røret (eller slangen) fra kølegascylinderen.
3. Påfyld den foreskrevne mængde kølemiddel, mens luft-til-vand-varmepumpen kører med afkøling.

**Bemærk:** Hvis der tilføjes kølemiddel, skal den mængde, der er specificeret for kølekredsløbet, overholdes.

### ⚠ FORSIGTIG:

- Kølemidlet må ikke udledes i atmosfæren. Pas på, at der ikke udledes kølemiddel i atmosfæren under installation, geninstallation, eller reparationer på rørsystemet.
- Ved efterfyldning påfyldes kølemidlet fra gascylinderen i flydende tilstand. Hvis kølemidlet påfyldes som gas, kan kølemidlets sammensætning ændres i cylinderen og udendørsenheden. Sker det, mindskes kølemidlets effekt, eller normal drift kan være umulig. Men hvis alt flydende kølemiddel påfyldes på én gang, kan kompressoren blokeres. Påfyld derfor kølemidlet langsomt.

For at cylinderen til stadighed kan holde et højt tryk, skal den varmes i varmt vand (under 40° C) om vinteren. Der må aldrig anvendes åben ild eller damp.



- |  |   |
|--|---|
| (A) Indendørsenhed                     | (H) Kølegascylinder til R32 med hævert            |
| (B) Forskrining                        | (I) Kølemiddel (væske)                            |
| (C) Væskerør                           | (J) Elektronisk vægt til påfyldning af kølemiddel |
| (D) Gasrør                             | (K) Påfyldningsslange (til R32)                   |
| (E) Stopventil                         | (L) Målermanifoldventil (til R32)                 |
| (F) Udendørsenhed                      | (M) Serviceåbning                                 |
| (G) Kølevæske-gascylinder driftsventil |   |

Fig. 7-1

## 8. Arbejde på vandledninger

### 8.1. Minimum vandmængde

Referer til indendørs enhedens installationsmanual.

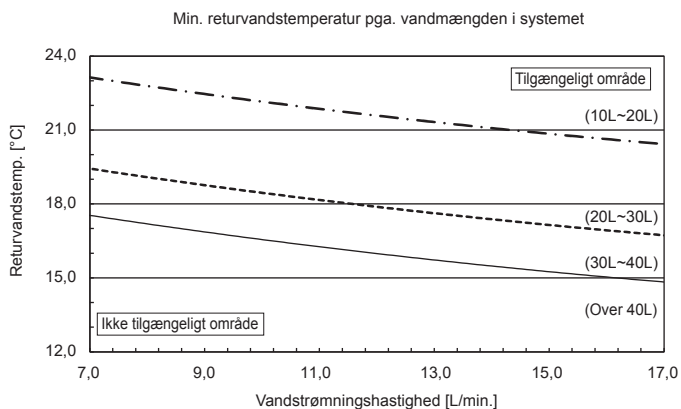
### 8.2. Tilgængeligt område (vandstrømningshastighed, returvandstemp.)

Sørg for følgende vandgenennemstrømningshastighed og returtemperaturområde i vandkredsløbet.

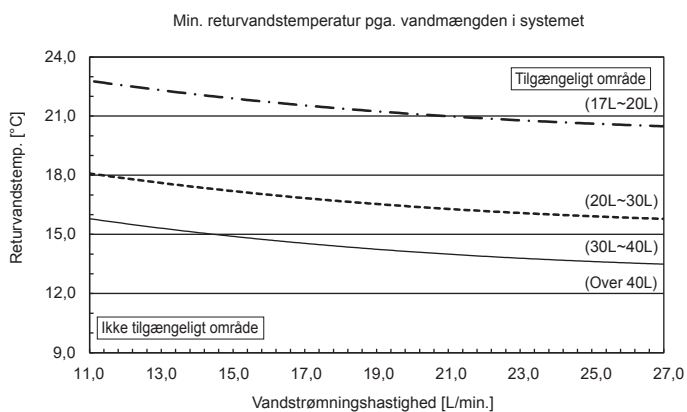
Disse kurver er relateret til vandmængden.

#### ■ Opvarmning

SUZ-SWM30VA SUZ-SHWM30VAH  
SUZ-SWM40VA2 SUZ-SHWM40VAH  
SUZ-SWM60VA2



SUZ-SWM80VA(H)2  
SUZ-SWM100VA(H)  
SUZ-SHWM60VAH



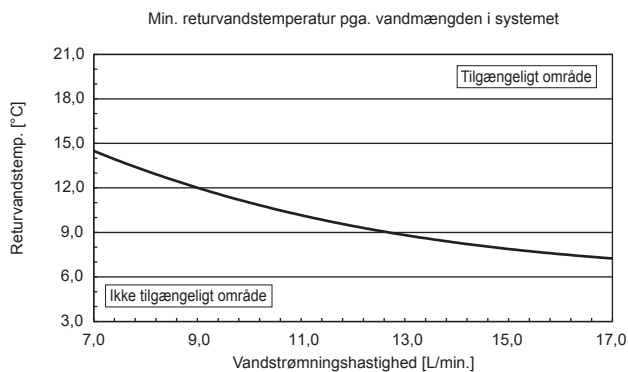
#### Bemærk:

- Sørg for at undgå det ikke tilgængelige område under optøning. Ellers optøes udendørsenheden utilstrækkeligt, og/eller indendørsenhedens varmeveksler kan fryse til.
- Strømningstemperaturen SKAL altid være MINDST 32°C, når udetemperaturen falder til under -15°C. Potentielle risici for, at pladevarmeveksler fryser og beskadiges, samt at udendørs pladevarmeveksler fryser til på grund af utilstrækkelig afrimning.

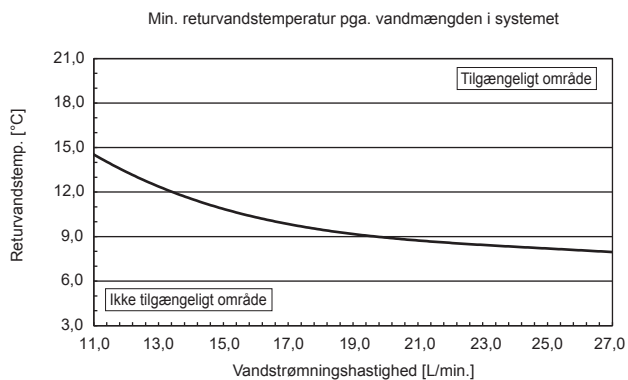
## 8. Arbejde på vandledninger

### ■ Køling

SUZ-SWM30VA SUZ-SHWM30VAH  
SUZ-SWM40VA2 SUZ-SHWM40VAH  
SUZ-SWM60VA2



SUZ-SWM80VA(H)2  
SUZ-SWM100VA(H)  
SUZ-SHWM60VAH



#### Bemærk:

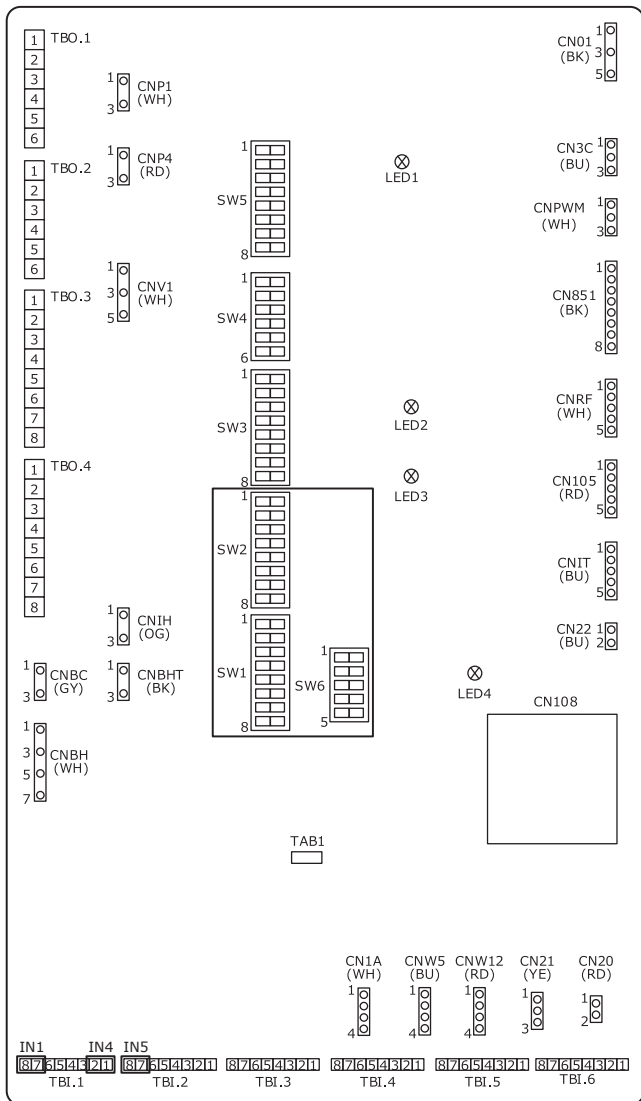
Sørg for at undgå det ikke tilgængelige område under optøning.

Ellers optøes udendørsenheden utilstrækkeligt, og/eller indendørsenhedens varmeveksler kan fryse til.

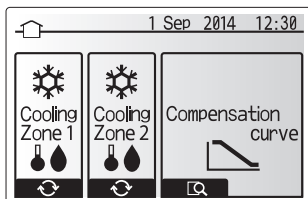
## 9. Tømning

Ved flytning eller bortskaffelse af udendørsenheden skal systemet tømmes ved hjælp af følgende procedure, så der ikke udledes kølemiddel til atmosfæren.

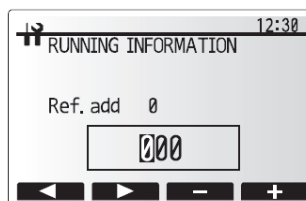
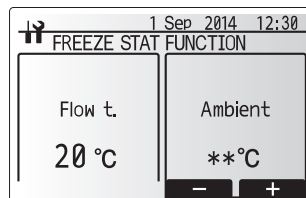
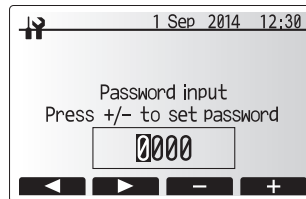
- ① Sluk alle forsyningskredsløb (herunder indendørsenhed, varmeenhed, udendørsenhed osv.).
- ② Forbind målermanifoldventilen til stopventilens serviceåbning på gasrørsiden af udendørsenheden.
- ③ Luk stopventilen helt på udendørsenhedens væskerør.
- ④ Skift indstillinger på indendørsenheden.
  - Indstil DIP-kontakt SW1-3 til FRA, SW2-1 til FRA og SW2-4 til TIL og SW6-3 til FRA på det indendørs kontrolpanel.
  - Frakobl signalindgange IN1 (indgang rumtermostat 1), IN4 (indgang behovsstyring) og IN5 (indgang udendørstermostat).



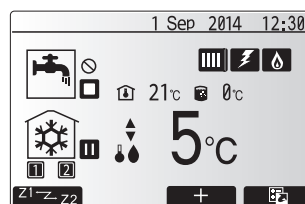
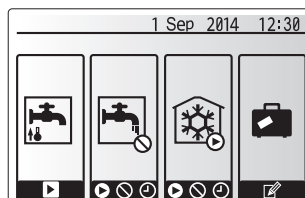
- ⑤ Tænd alle forsyningskredsløb.
- ⑥ I hovedmenuen på indendørsenhedens hovedkontrolenhed skal du vælge "Heating/cooling mode" (Varme/køle-tilstand) → "Cooling flow temp." (Temp. kølestrøm.).



- ⑦ Vælg "Service" i hovedmenuen, og skift indstillingen som vist nedenfor. Du bliver bedt om at indtaste en adgangskode. STANDARDADGANGSKODEN er "0000".
  - Vælg "Operation settings" (Driftsindstillinger) → "Freeze stat function" (Frys. tilst.funkt.), og indstil derefter den minimale udendørstermostat til \* (stjerne).
  - Vælg "Running information" (Kørselsinformation), og indstil derefter referenceadressen til 351.



- ⑧ Udfør kølemiddelsamledrift.
  - Tryk på knappen "ON/OFF" (TIL/FRA) på hovedkontrolenheden.
  - Indstil til "Cooling ON" (Køling TIL) i valgmenuen.
  - Indstil målet for flowtemperaturen til 5 °C. Hvis systemet er styret af en stuetemperatur-termostat, indstilles målet for stuetemperaturen til 10 °C. Kølemiddelsamledrift startes efter 60 sekunder.
  - Du kan finde flere oplysninger om indstillingerne på hovedkontrolenheden i installationsvejledningen eller betjeningsvejledningen til indendørsenheden.



Fortsættes på næste side.

## 9. Tømning

- ⑨ Luk stopventilen helt på gasrørssiden af udendørsenheden, når trykmåleren viser 0,05 til 0 MPa [Manometer] (ca. 0,5 til 0 kgf/cm<sup>2</sup>), og sluk straks for udendørsenheden.
- Tryk på "ON/OFF"-knappen på fjernbetjeningen for at stoppe udendørsenheden.
  - \* Bemærk, at en nedpumpning muligvis ikke kan udføres, hvis forlængerrøret er meget langt og indeholder en stor mængde kølemiddel. I så fald skal du bruge opsamlingsudstyr til at opsamle alt kølemidlet i systemet.
- ⑩ Stil indstillingen af hovedkontrolenheden, som du ændrede i procedure ⑨ ovenfor.
- ⑪ Tryk på knappen "ON/OFF" (TIL/FRA) i ca. 3 sekunder på indendørsenhedens hovedkontrolenhed for at stoppe enheden.
- ⑫ Stil indstillingen af hovedkontrolenheden, som du ændrede i en anden procedure, tilbage undtagen ⑨.
- \* Sådan stilles "Running information" (Kørselsinformation) tilbage: Indstil referenceadressen til 350.
- ⑬ Sluk alle forsyningskredsløb, og stil DIP-kontaktindstillingerne på indendørskredsløbskortet tilbage til det oprindelige.
- ⑭ Afmonter målemanifoldventilen, og frakobl derefter kølemiddelrørene.



### ADVARSEL:

Hvis der er en lækage i kølemiddelkredsløbet, må der IKKE udføres en tømning med kompressoren.

Ved nedpumpning af kølemiddel skal kompressoren stoppes, før kølerørene afmonteres.

- Hvis kølerørene afmonteres, mens kompressoren er i drift, og stopventilen (kugleventil) er åben, kan trykket i afkølingscyklussen blive ekstremt højt, hvis der trækkes luft ind, hvilket kan medføre sprængte rør, personskader osv.



### FORSIGTIG:

Brug IKKE denne KØLING-funktion ved tilslutning til en indendørsenhed, der ikke tillader KØLING-funktion til andre formål end tømning.

## 10. Specifikationer

Udendørsmodel		SUZ-SWM30VA	SUZ-SHWM30VAH	SUZ-SWM40VA2	SUZ-SHWM40VAH	SUZ-SWM60VA2
Strømforsyning	V / Fase / Hz	230 / Enkelt / 50				
Mål (B × H × D)	mm	800 × 714 × 285				
Lydstyrkeniveau (opvarmning)	*1 dB(A)	57	57	57	58	60
	*2 dB(A)	54	54	54	55	56

Udendørsmodel		SUZ-SHWM60VAH	SUZ-SWM80VA(H)2	SUZ-SWM100VA(H)
Strømforsyning	V / Fase / Hz	230 / Enkelt / 50		
Mål (B × H × D)	mm	840 × 880 × 330		
Lydstyrkeniveau (opvarmning)	*1 dB(A)	60	60	62
	*2 dB(A)	58	59	60

\*1. Målt ved normeret driftsfrekvens med en omgivende temperatur på 7 °C DB/6 °C WB og vand ud på 55 °C

\*2. Målt i henhold til EN12102 under betingelserne for EN14825



EU DECLARATION OF CONFORMITY  
EU-KONFORMITÄTSEKTLÄRUNG  
DÉCLARATION DE CONFORMITÉ UE  
EU-CONFORMITEITSVERKLARING  
DECLARACIÓN DE CONFORMIDAD UE  
DICHIARAZIONE DI CONFORMITÀ UE  
ΔΗΛΩΣΗ ΣΥΜΜΟΡΦΩΣΗΣ ΕΕ  
DECLARAÇÃO DE CONFORMIDADE UE  
EU-OVERENSSTEMMELSESEKTLÆRING

EG-DEKLARATION OM ÖVERENSSTÄMMELSE  
AV UYGUNLUK BEYAN  
ДЕКЛАРАЦИЯ СООТВЕТСТВИЯ НОРМАМ ЕС  
ДЕКЛАРАЦІЯ ВІДПОВІДНОСТІ ВИМОГАМ ЄС  
ЕС ДЕКЛАРАЦІЯ ЗА СЪОТВЕТСТВИЕ  
DEKLARACJA ZGODNOŚCI UE  
EU-ERKLÆRING OM SAMSVAR  
EU-VAATIMUSTENMUKAISUUSVAKUUTUS  
EU PROHLÁŠENÍ O SHODĚ

EÚ VYHLÁŠENIE O ZHODE  
EU MEGFELELŐSÉGI NYILATKOZAT  
IZJAVA EU O SKLADNOSTI  
DECLARAȚIE DE CONFORMITATE UE  
EL-I VASTAVUSDEKLARATSIOON  
ES ATBILSTĪBAS DEKLARĀCIJA  
ES ATITIKTIES DEKLARĀCIJA  
EU IZJAVA O SUKLADNOSTI  
EU IZJAVA O USAGLAŠENOSTI

**MITSUBISHI ELECTRIC CONSUMER PRODUCTS (THAILAND) CO., LTD**  
**700/406 MOO 7, TAMBON DON HUA ROH, AMPHUR MUANG, CHONBURI 20000, THAILAND**

hereby declares under its sole responsibility that the air conditioner(s) and heat pump(s) for use in residential, commercial, and light-industrial environments described below:  
erklärt hiermit auf seine alleinige Verantwortung, dass die Klimaanlage(n) und Wärmepumpe(n) für das häusliche, kommerzielle und leichtindustrielle Umfeld wie unten beschrieben:  
déclare par la présente et sous sa propre responsabilité que le(s) climatiseur(s) et la/les pompe(s) à chaleur destinés à un usage dans des environnements résidentiels, commerciaux et d'industrie légère décrits ci-dessous :  
verklaart hierbij onder eigen verantwoordelijkheid dat de voor huishoudelijke, handels- en lichtindustriële omgevingen bestemde airconditioner(s) en warmtepomp(en) zoals onderstaand beschreven:

por la presente declara, bajo su exclusiva responsabilidad, que el(los) acondicionador(es) de aire y la(s) bomba(s) de calor previsto(s) para su uso en entornos residenciales, comerciales y de industria ligera que se describen a continuación:

conferma con la presente, sotto la sua esclusiva responsabilità, che i condizionatori d'aria e le pompe di calore destinati all'utilizzo in ambienti residenziali, commerciali e semi-industriali e descritti di seguito:

με το παρόν δηλώνει με αποκλειστική ευθύνη ότι το ή τα κλιματιστικά και η ή οι αντλίες θερμότητας για χρήση σε οικιακά, εμπορικά και επαγγελματικά περιβάλλοντα που περιγράφονται παρακάτω:

declara pela presente, e sob sua exclusiva responsabilidade, que o(s) aparelho(s) de ar condicionado e a(s) bomba(s) de calor destinados a utilização em ambientes residenciais, comerciais e de indústria ligeira descritos em seguida:

erklærer hermed under eneansvar, at det/de herunder beskrevne airconditionanlæg og varmepumpe(r) til brug i beboelses- og erhvervs miljøer samt i miljøer med let industri:

intyggar härmed att luftkonditioneringarna och värmepumparna som beskrivs nedan för användning i bostäder, kommersiella miljöer och lätta industriella miljöer:  
ev, ticaret ve hafif sanayi ortamlarında kullanıma yönelik aşağıda açıklanan klima ve ısıtma pompalarıyla ilgili aşağıdaki hususları yalnızca kendi sorumluluğunda olmak üzere beyan eder:

настоящим заявляет под свою исключительную ответственность, что кондиционер (-ы) и тепловой (-ые) насос (-ы) для использования в описанных ниже жилых, коммерческих и небольших складских и промышленных помещениях:

цим заявляю, беручи на себе повну відповідальність за це, що кондиціонер (-и) й тепловий (-и) насос (-и), описані нижче й призначені для використання в житлових приміщеннях, торговельних залах і на підприємствах легкої промисловості:

декларира с настоящата на своя собствена отговорност, че климатикъ(т)е и термомпата(ите), посочени по-долу и предназначени за употреба в жилища, търговски и лекопромишлени среди:

niniejszym oświadczam na swoją wyłączną odpowiedzialność, że klimatyzatory i pompy ciepła do zastosowań w środowisku mieszkalnym, handlowym i lekko przemysłowym opisane poniżej:

erklærer et fullstendig ansvar for undernevnte klimaapparat og varmepumper ved bruk i boliger, samt kommersielle og lettindustrielle miljøer:

vakuuttaa täten yksinomaista vastuutaan, että jäljempänä kuvutat asuinrakennuksiin, pientaloisuuskäyttöön ja kaupalliseen käyttöön tarkoitettuihin ilmastointilaitteisiin ja lämpöpumpuihin:

tímto na vlastní odpovědnost prohlašuje, že níže popsané klimatizační jednotky a tepelná čerpadla pro použití v obytných prostředích, komerčních prostředích a prostředích lehkého průmyslu:

týmto na svoju výlučnú zodpovednosť vyhlasuje, že nasledovné klimatizačné jednotky a tepelné čerpadlá určené na používanie v obytných a obchodných priestoroch a v prostredí ľahkého priemyslu:

alulírott kizárólagos felelősségére nyilatkozik, hogy az alábbi lakossági, kereskedelmi és kisipari környezetben való használatra szánt klímaberendezés(ek) és hőszivattyú(k):

na lastno odgovornost izjavlja, da so spodaj opisane klimatske naprave in toplotne črpalke, namenjene za uporabo v stanovanjskih, poslovnih in lahkoindustrijskih okoljih:  
declară prin prezenta, pe proprie răspundere, faptul că aparatele de climatizare și pompele de căldură descrise mai jos și destinate utilizării în medii rezidențiale, comerciale și din industria ușoară:

kinnitab oma ainuvastutust, et allpool toodud elu-, äri- ja kergtööstuskeskkondades kasutamiseks mõeldud kliimaseadmed ja soojuspumbad:

ar šo, vienpersoniski uzņemoties atbildību, paziņo, ka tālāk aprakstītais(-tie) gaisa kondicionētājs(-i) un siltumsūkņis(-i) ir paredzēti lietošanai dzīvojamajās, komercdarbības un vieglās rūpniecības telpās, kas aprakstītas tālāk:

šiuo vien tik savo atsakomybe pareiškia, kad toliau apibūdintas (-i) oro kondicionierius (-iai) ir šilumos siurblys (-iai), skirtas (-i) naudoti toliau apibūdintose gyvenamosiose, komercinėse ir lengvosios pramonės aplinkose:

ovime izjavljuje pod isključivom odgovornošću da je/su klimatizacijski uređaji(i) i toplinska dizalica(e) opisan(i) u nastavku namijenjen(i) za upotrebu u stambenim i poslovnim okruženjima te okruženjima lake industrije:

ovim izjavljuje na svoju isključivu odgovornost da su klima-uređaji i toplotne pumpe za upotrebu u stambenim, komercijalnim okruženjima i okruženjima lake industrije opisani u nastavku:

**MITSUBISHI ELECTRIC, SUZ-SWM30VA\*, SUZ-SWM40VA\*, SUZ-SWM60VA\*, SUZ-SWM80VA\*, SUZ-SWM100VA\***  
**SUZ-SHWM30VAH\*, SUZ-SHWM40VAH\*, SUZ-SHWM60VAH\*, SUZ-SWM80VAH\*, SUZ-SWM100VAH\***  
**\* : , , 1, 2, 3, . . . , 9**

is/are in conformity with provisions of the following Union harmonisation legislation.  
die Bestimmungen der folgenden Harmonisierungsrechtsvorschriften der Union erfüllen/

erfüllen.  
est/sont conforme(s) aux dispositions de la législation d'harmonisation de l'Union

suivante.  
voldoet/voldoen aan bepalingen van de volgende harmonisatiewetgeving van de Unie.

cumple(n) con las disposiciones de la siguiente legislación de armonización de la Unión.

sono in conformità con le disposizioni della seguente normativa dell'Unione sull'armonizzazione.

συμμορφώνονται με τις διατάξεις της ακόλουθης νομοθεσίας εναρμόνισης της Ένωσης.

está/estão em conformidade com as disposições da seguinte legislação de harmonização da União.

er i overensstemmelse med bestemmelse i følgende harmoniserede EU-lovgivning.

uppfyller villkoren i följande harmoniserade föreskrifter inom unionen.

აşağıdaki Avrupa Birliği uyumlaştırma mevzuatının hükümlerine uygundur.

соответствуют положениям следующих законодательных актов Союза о гармонизации.

2014/35/EU: Low Voltage Directive  
2006/42/EC: Machinery Directive  
2014/30/EU: Electromagnetic Compatibility Directive  
2011/65/EU, (EU) 2015/863 and (EU) 2017/2102: RoHS Directive  
2009/125/EC: Energy-related Products Directive and Regulation (EU) No 813/2013

відповідають положенням вказаного далі законодавства Союзу щодо гармонізації.  
е/са в съответствие с разпоредбите на следното законодателство на Съюза за

хармонизация.  
są zgodne z przepisami następującego unijnego prawodawstwa harmonizacyjnego.

er i samsvar med forskriftene til følgende EU-lovgivning om harmonisering.

ovat seuraavan unionin yhdenmukaistamislainsäädännön säännösten mukaisia.

jsou v souladu s ustanoveními následujících harmonizačních právních předpisů Unie.

splňají ustanovenia nasledujúcich harmonizovaných noriem EÚ.

megfelel(nek) az Unió alábbi harmonizációs jogszabályi előírásainak.

in skladu z določbami naslednje usklajevalne zakonodaje Unije.

sunt în conformitate cu dispozițiile următoare legislații de armonizare a Uniunii.

atbilst šādiem ES harmonizētajiem tiesību aktu noteikumiem.

taip pat atitinka kitų toliau išvardytų suderintųjų Sąjungos direktyvų nuostatas.

sukladan(i) odredbama sljedećeg zakonodavstva Unije za sukladnost.

u skladu sa odredbama sledećeg usklađivanja zakonodavstva Unije.

<ENGLISH>

English is original. The other languages versions are translation of the original.

**▲ CAUTION**

- Refrigerant leakage may cause suffocation. Provide ventilation in accordance with EN378-1.
- Be sure to wrap insulation around the piping. Direct contact with the bare piping may result in burns or frostbite.
- Never put batteries in your mouth for any reason to avoid accidental ingestion.
- Battery ingestion may cause choking and/or poisoning.
- Install the unit on a rigid structure to prevent excessive operation sound or vibration.
- The A-weighted sound pressure level is below 70dB.
- This appliance is intended to be used by expert or trained users in shops, in light industry and on farms, or for commercial use by lay persons.

<DEUTSCH>

Das Original ist in Englisch. Die anderen Sprachversionen sind vom Original übersetzt.

**▲ VORSICHT**

- Wenn Kältemittel austritt, kann dies zu Erstickten führen. Sorgen Sie in Übereinstimmung mit EN378-1 für Durchlüftung.
- Die Leitungen müssen isoliert werden. Direkter Kontakt mit nicht isolierten Leitungen kann zu Verbrennungen oder Erfrierungen führen.
- Nehmen Sie niemals Batterien in den Mund, um ein versehentliches Verschlucken zu vermeiden.
- Durch das Verschlucken von Batterien kann es zu Erstickungen und/oder Vergiftungen kommen.
- Installieren Sie das Gerät auf einem stabilen Untergrund, um übermäßige Betriebsgeräusche oder -schwingungen zu vermeiden.
- Der A-gewichtete Schalldruckpegel ist niedriger als 70dB.
- Dieses Gerät ist vorgesehen für die Nutzung durch Fachleute oder geschultes Personal in Werkstätten, in der Leichtindustrie und in landwirtschaftlichen Betrieben oder für die kommerzielle Nutzung durch Laien.

<FRANÇAIS>

L'anglais est l'original. Les versions fournies dans d'autres langues sont des traductions de l'original.

**▲ PRECAUTION**

- Une fuite de réfrigérant peut entraîner une asphyxie. Fournissez une ventilation adéquate en accord avec la norme EN378-1.
- Assurez-vous que la tuyauterie est enveloppée d'isolant. Un contact direct avec la tuyauterie nue peut entraîner des brûlures ou des engelures.
- Ne mettez jamais des piles dans la bouche pour quelque raison que ce soit pour éviter de les avaler par accident.
- Le fait d'ingérer des piles peut entraîner un étouffement et/ou un empoisonnement.
- Installez l'appareil sur une structure rigide pour prévenir un bruit de fonctionnement et une vibration excessifs.
- Le niveau de pression acoustique pondérée est en dessous de 70 dB.
- Cet appareil est conçu pour un utilisateur expert ou les utilisateurs formés en magasin, dans l'industrie légère et dans l'agriculture ou dans le commerce par le profane.

<NEDERLANDS>

Het Engels is het origineel. De andere taalversies zijn vertalingen van het origineel.

**▲ VOORZICHTIG**

- Het lekken van koelvloeistof kan verstikking veroorzaken. Zorg voor ventilatie in overeenstemming met EN378-1.
- Isoleer de leidingen met isolatiemateriaal. Direct contact met de onbedekte leidingen kan leiden tot brandwonden of bevriezing.
- Stop nooit batterijen in uw mond om inslikking te voorkomen.
- Het inslikken van batterijen kan verstikking of vergiftiging veroorzaken.
- Installeer het apparaat op een stabiele structuur om overmatig lawaai of trillingen te voorkomen.
- Het niveau van de geluidsdruk ligt onder 70 dB(A).
- Dit apparaat is bedoeld voor gebruik door ervaren of opgeleide gebruikers in werkplaatsen, in de lichte industrie en op boerderijen, of voor commercieel gebruik door leken.

<ESPAÑOL>

El idioma original del documento es el inglés. Las versiones en los demás idiomas son traducciones del original.

**▲ CUIDADO**

- Las pérdidas de refrigerante pueden causar asfixia. Se debe proporcionar la ventilación determinada en EN378-1.
- asegúrese de colocar el aislante alrededor de las tuberías. El contacto directo con la tubería puede ocasionar quemaduras o congelación.
- Para evitar una ingestión accidental, no coloque las pilas en su boca bajo ningún concepto.
- La ingestión de las pilas puede causar asfixia y/o envenenamiento.
- Coloque la unidad en una estructura rígida para evitar que se produzcan sonidos o vibraciones excesivos debidos a su funcionamiento.
- El nivel de presión acústica ponderado A es inferior a 70 dB.
- Este aparato está destinado a su uso por parte de usuarios expertos o capacitados en talleres, industrias ligeras y granjas, o a su uso comercial por parte de personas no expertas.

<ITALIANO>

Il testo originale è redatto in lingua Inglese. Le altre versioni linguistiche rappresentano traduzioni dell'originale.

**▲ ATTENZIONE**

- Le perdite di refrigerante possono causare asfissia. Prevedere una ventilazione adeguata in conformità con la norma EN378-1.
- Accertarsi di applicare materiale isolante intorno alle tubature. Il contatto diretto con le tubature non schermate può provocare ustioni o congelamento.
- Non introdurre in nessun caso le batterie in bocca onde evitare ingestioni accidentali.
- l'ingestione delle batterie può provocare soffocamento e/o avvelenamento.
- Installare l'unità su una struttura rigida in modo da evitare rumore o vibrazioni eccessivi durante il funzionamento.
- Il livello di pressione del suono ponderato A è inferiore a 70dB.
- Questa apparecchiatura è destinata all'utilizzo da parte di utenti esperti o addestrati in negozi, industria leggera o fattorie oppure a un uso commerciale da parte di persone non esperte.

<ΕΛΛΗΝΙΚΑ>

Η γλώσσα του πρωτοτύπου είναι η αγγλική. Οι εκδόσεις άλλων γλωσσών είναι μεταφράσεις του πρωτοτύπου.

**▲ ΠΡΟΣΟΧΗ**

- Η διαρροή του ψυκτικού ενδέχεται να προκαλέσει ασφυξία. Φροντίστε για τον εξαερισμό σύμφωνα με το πρότυπο EN378-1.
- Φροντίστε να τυλίξετε με μονωτικό υλικό τη σωλήνωση. Η απευθείας επαφή με τη γυμνή σωλήνωση ενδέχεται να προκαλέσει εγκαυμάτα ή κρυοπαγήματα.
- Μη βάζετε ποτέ τις μπαταρίες στο στόμα σας για κανένα λόγο ώστε να αποφεύγετε την κατά λάθος κατάποσή τους.
- Η κατάποση μπαταριών μπορεί να προκαλέσει πνιγμό ή/και δηλητηρίαση.
- Εγκαταστήστε τη μονάδα σε σταθερή κατασκευή ώστε να αποφεύγετε τον έντονο ήχο λειτουργίας ή τους κραδασμούς.
- Η Α-σταθμισμένη στάθμη ηχητικής πίεσης είναι κάτω των 70dB.
- Η Α-σταθμισμένη στάθμη ηχητικής πίεσης είναι κάτω των 70dB.
- Η συσκευή αυτή προορίζεται για χρήση από εμπειρογούς ή εκπαιδευμένους χρήστες σε καταστήματα, στην ελαφριά βιομηχανία και σε αγροκτήματα, ή για εμπορική χρήση από άτομα τα οποία δεν είναι ειδικευμένοι.

<PORTUGUÊS>

O idioma original é o inglês. As versões em outros idiomas são traduções do idioma original.

**▲ CUIDADO**

- A fuga de refrigerante pode causar asfixia. Garanta a ventilação em conformidade com a norma EN378-1.
- Certifique-se de que envolve as tubagens com material de isolamento. O contacto directo com tubagens não isoladas pode resultar em queimaduras ou ulcerações provocadas pelo frio.
- Nunca coloque pilhas na boca, por nenhum motivo, para evitar a ingestão accidental.
- A ingestão de uma pilha pode causar obstrução das vias respiratórias e/ou envenenamento.
- Instale a unidade numa estrutura robusta, de forma a evitar ruídos ou vibrações excessivos durante o funcionamento.
- O nível de pressão sonora ponderado A é inferior a 70 dB.
- Este equipamento destina-se a ser utilizado por especialistas ou utilizadores com formação em lojas, na indústria ligeira e em quintas, ou para utilização comercial por leigos.

<DANSK>

Engels er originalen. De andre sprogversioner er oversættelser af originalen.

**▲ FORSIGTIG**

- Lækage af kølemiddel kan forårsage kvælning. Sørg for udluftning i overensstemmelse med EN378-1.
- Sørg for at pakke rørene ind i isolering. Direkte kontakt med ubeklædte rør kan forårsage forbrændinger eller forfrysninger.
- Batterier må under ingen omstændigheder tages i munden for at forhindre utilsigtet indtagelse.
- Indtagelse af batterier kan forårsage kvælning og/eller forgiftning.
- Installér enheden på en fast struktur for at forhindre for høje driftslyde eller vibrationer.
- Det A-vægtede lydtrykniveau er under 70dB.
- Dette apparat er beregnet til at blive brugt af eksperter eller udlærte brugere i butikker, inden for let industri og på gårde eller til kommerciel anvendelse af lægmænd.

<SVENSKA>

Engelska är originalspråket. De övriga språkversionerna är översättningar av originalet.

**▲ FÖRSIKTIGHET**

- Köldmedelsläckage kan leda till kvävning. Tillhandahåll ventilation i enlighet med EN378-1.
- Kom ihåg att linda isolering runt rören. Direktkontakt med bara rör kan leda till brännskador eller köldskador.
- Stoppa aldrig batterier i munnen, de kan sväljas av misstag.
- Om ett batteri sväljs kan det leda till kvävning och/eller förgiftning.
- Montera enheten på ett stadigt underlag för att förhindra höga driftljud och vibrationer.
- Den A-vägdade ljudtrycksnivån är under 70dB.
- Denna apparat är ämnad för användning av experter eller utbildade användare i affärer, inom lätt industri och på lanbruk, eller för kommersiell användning av lekmän.

<TÜRKÇE>

Aslı İngilizce'dir. Diğer dillerdeki sürümler aslının çevirisidir.

**▲ DİKKAT**

- Soğutucu kaçağı boğulmaya neden olabilir. EN378-1 uyarınca uygun havalandırma sağlayın.
- Borular etrafına yalıtım yapıldığından emin olun. Borulara doğrudan çıplak elle dokunulması yanıklara veya soğuk ısırıklarına neden olabilir.
- Kazara yutmamak için, pilleri kesinlikle hiçbir amaçla ağzınızda tutmayın.
- Pillerin yutulması boğulmaya ve/veya zehirlenmeye yol açabilir.
- Aşırı çalışma seslerini veya titreşimi önlemek için, üniteyi sağlam bir yapı üzerine monte edin.
- A ağırıklı ses gücü seviyesi 70dB'nin altındadır.
- Bu cihaz tüküleyelerde, hafif endüstriyel tesislerde ve çiftliklerde uzman veya eğitilmiş kullanıcılar tarafından kullanılabilir. Üzere veya normal kullanıcılar tarafından ticari kullanım için tasarlanmıştır.

<РУССКИЙ>

Языком оригинала является английский. Версии на других языках являются переводом оригинала.

**▲ ОСТОРОЖНО**

- Утечка хладагента может стать причиной удушья. Обеспечьте вентиляцию в соответствии с EN378-1.
- Обязательно оберните трубы изоляционным материалом. Непосредственный контакт с неизолированным трубопроводом может привести к ожогам или обморожению.
- Запрещается класть элементы питания в рот по каким бы то ни было причинам во избежание случайного проглатывания.
- Попадание элемента питания в пищеварительную систему может стать причиной удушья и/или отравления.
- Устанавливайте устройство на жесткую структуру во избежание чрезмерного шума или чрезмерной вибрации во время работы.
- Уровень звукового давления по шкале A не превышает 70 дБ.
- Данное устройство предназначено для использования специалистами или обученным персоналом в магазинах, на предприятиях легкой промышленности и фермах или для коммерческого применения неспециалистами.

<УКРАЇНСЬКА>

Переклад оригіналу. Текст іншими мовами є перекладом оригіналу.

**▲ ОБЕРЕЖНО**

- Виток холодоагенту може призвести до удушся. Необхідно забезпечити вентиляцію відповідно до стандарту EN 378-1.
- Труби необхідно обмотати ізоляційним матеріалом. Прямий контакт із непокритою трубою може призвести до опіку або обмороження.
- Забороняється класти елементи живлення в рот із будь-яких причин, оскільки є ризик випадков- во їх проковтнути.
- Попадання елемента живлення в травну систему може стати причиною задхуи та/або отруєння.
- Встановлюйте блок на міцній конструкції, щоб уникнути надмірного рівня звуку роботи або ві- брації.
- Рівень амплітудно зваженого акустичного тиску становить нижче 70 дБ.
- Цей прилад призначається для використання спеціалістами або особами, що пройшли відпо- відне навчання, у кранницях, легкій промисловості та сільськогосподарських підприємствах, а також для комерційного використання неспеціалістами.

<БЪЛГАРСКИ>

Оригиналът е текстът на английски език. Версиите на други езици са преводи на оригинала.

**▲ ВНИМАНИЕ**

- Изтичането на хладилен агент може да причини задушаване. Осигурете вентилация съобразно с EN378-1.
- Не забравяйте да уветите изолация около тръбите. Директният контакт с оголени тръби може да причини изгаряне или измръзване.
- При никакви обстоятелства не поставяйте батериите в устата си, за да не ги поглънете по невнимание.
- Това може да доведе до задушаване и/или натравяне.
- Монтирайте тялото върху твърда конструкция, за да предотвратите прекомерен шум или вибрации по време на работа.
- Равень амплитудно зважено акустично налягане е под 70 dB.
- Този уред е предназначен за използване от експерти или обучени потребители в магази- ни, в леката промисленост и във ферми, или за търговска употреба от неспециалисти.



Please be sure to put the contact address/telephone number on this manual before handing it to the customer.

**mitsubishi electric corporation**

HEAD OFFICE: TOKYO BUILDING, 2-7-3, MARUNOUCHI, CHIYODA-KU, TOKYO 100-8310, JAPAN

# Air to Water Heat Pump SUZ-SWM·VA(H) series SUZ-SHWM·VAH series

INSTALLATION MANUAL	FOR INSTALLER	English
INSTALLATIONSHANDBUCH	FÜR INSTALLATEURE	Deutsch
MANUEL D'INSTALLATION	POUR L'INSTALLATEUR	Français
INSTALLATIEHANDLEIDING	VOOR DE INSTALLATEUR	Nederlands
MANUAL DE INSTALACIÓN	PARA EL INSTALADOR	Español
MANUALE DI INSTALLAZIONE	PER L'INSTALLATORE	Italiano
ΕΓΧΕΙΡΙΔΙΟ ΟΔΗΓΙΩΝ ΕΓΚΑΤΑΣΤΑΣΗΣ	ΓΙΑ ΑΥΤΟΝ ΠΟΥ ΚΑΝΕΙ ΤΗΝ ΕΓΚΑΤΑΣΤΑΣΗ	Ελληνικά
MANUAL DE INSTALAÇÃO	PARA O INSTALADOR	Português
INSTALLATIONSMANUAL	TIL INSTALLATØREN	Dansk
INSTALLATIONSMANUAL	FÖR INSTALLATÖREN	Svenska
MONTAJ ELKİTABI	MONTÖR İÇİN	Türkçe
РУКОВОДСТВО ПО УСТАНОВКЕ	ДЛЯ УСТАНОВИТЕЛЯ	Русский
ПОСІБНИК З УСТАНОВЛЕННЯ	ДЛЯ СПЕЦІАЛІСТА З МОНТАЖУ	Українська
РЪКОВОДСТВО ЗА МОНТАЖ	ЗА МОНТАЖНИКА	Български
INSTRUKCJA MONTAŻU	DLA INSTALATORA	Polski
INSTALLASJONSHÅNDBOK	FOR MONTØR	Norsk
ASENNUSOPAS	ASENTAJALLE	Suomi
INSTALAČNÍ PŘÍRUČKA	PRO MONTÁŽNÍ PRACOVNÍKY	Čeština
NÁVOD NA INŠTALÁCIU	PRE MONTÉRA	Slovenčina
TELEPÍTÉSI KÉZIKÖNYV	A TELEPÍTŐ RÉSZÉRE	Magyar
NAMESTITVENI PRIROČNIK	ZA MONTERJA	Slovenščina
MANUAL DE INSTALARE	PENTRU INSTALATOR	Română
PAIGALDUSJUHEND	PAIGALDAJALE	Eesti
MONTĀŽAS ROKASGRĀMATA	UZSTĀDĪŠANAS SPECIĀLISTAM	Latviski
MONTAVIMO VADOVAS	SKIRTA MONTUOTOJUI	Lietuviškai
PRIRUČNIK ZA POSTAVLJANJE	ZA INSTALATERA	Hrvatski
UPUTSTVO ZA UGRADNJU	ZA MONTERA	Srpski

1. Säkerhetsåtgärder .....	1	6. Elektriska arbeten .....	9
2. Välja plats för installationen .....	3	7. Underhåll .....	10
3. Installationsmall .....	5	8. Vattenrör .....	11
4. Dräneringsrör för utomhusenhet .....	5	9. Urpumpning .....	13
5. Kylmedelsrörsarbeten .....	6	10. Specifikationer .....	14



**Obs:** Den här symbolen gäller enbart EU-länder.

Denna symbol är i enlighet med direktiv 2012/19/EU artikel 14, Information till användarna, och bilaga IX.

Denna produkt från MITSUBISHI ELECTRIC är designad och tillverkad av material och komponenter med hög kvalitet som kan återvinnas och återanvändas.

Denna symbol betyder att elektriska och elektroniska produkter, efter slutanvändande, skall sorteras och hanteras separat från Ditt hushållsavfall.

Var snäll och lämna denna produkt hos Din lokala mottagningstation för avfall och återvinning.

Inom den Europeiska Unionen finns det separata insamlingsystem för begagnade elektriska och elektroniska produkter.

Var snäll och hjälp oss att bevara miljön vi lever i!

## ⚠ FÖRSIKTIGHET:

- Släpp inte ut R32 i atmosfären.

## 1. Säkerhetsåtgärder

- ▶ Innan du installerar enheten bör du läsa igenom samtliga "Säkerhetsåtgärder".
- ▶ Se till att elsystemets ansvarige underrättas och ger sitt godkännande innan systemet kopplas in.

### ⚠ VARNING:

Anger försiktighetsmått som bör vidtas för att förhindra att användaren utsätts för fara eller risk.

### ⚠ FÖRSIKTIGHET:

Beskriver säkerhetsåtgärder som bör följas för att undvika att enheten skadas.

När installationen är klar, förklara "Säkerhetsåtgärder" för enheten, hur den används och underhålls för kunden enligt informationen i bruksanvisningen och utför provkörningen för att kontrollera att den fungerar som den ska. Användaren ska behålla både installationsanvisningen och bruksanvisningen. Dessa manualer ska lämnas över till kommande användare.

⌚ : Indikerar en del som måste jordas.

### ⚠ VARNING:

Läs noga texten på alla dekaler på huvudenheten.

Ⓢ : Indikerar varningar och försiktighetsåtgärder vid användning av köldmedlet R32.

## FÖRKLARING TILL DE SYMBOLER SOM VISAS PÅ INOMHUS- OCH/ELLER UTMOMHUSENHETEN

	<b>VARNING</b> (Brandrisk)	Denna märkning gäller bara för köldmediet R32. Köldmedietypen är skriven på utomhusenhetens namnplåt. Ifall köldmedietypen är R32 används ett lättantändligt köldmedium i denna enhet. Om köldmediet läcker ut och kommer i kontakt med eld eller uppvärmningskomponenterna kommer det att bildas en farlig gas och brandrisk föreligger.
	Läs DRIFTSMANUALEN noggrant före användning.	
	Servicepersonal måste läsa DRIFTSMANUALEN och INSTALLATIONSHANDBOKEN noggrant före användning.	
	Mer information finns i DRIFTSMANUALEN, INSTALLATIONSHANDBOKEN och liknande.	

### ⚠ VARNING:

- Enheten får inte installeras av användaren. Be en återförsäljare eller behörig tekniker installera och reparera enheten. Felaktig installation av enheten kan orsaka vattenläckage, elektriska stötar eller brand.
- Vid installation eller flytt, följ anvisningarna i installationsanvisningen och använd verktyg och rörkomponenter som är gjorda för att användas med köldmedlet R32. Om man använder rörkomponenter som inte är konstruerade för köldmedlet R32 och enheterna inte installerats på rätt sätt, kan rören spricka och orsaka person- och maskinskador. Dessutom kan detta orsaka vattenläckage, elektriska stötar eller brand.
- Enheten ska installeras enligt anvisningarna för att risken för skador från jordbävningar, tyfoner och kraftig vind ska minimeras. En felaktigt installerad enhet kan falla ned och orsaka person- och maskinskador.
- Enheten måste fästas säkert på en konstruktion som kan bära dess vikt. Om enheten monteras på en instabil konstruktion, kan den falla ned och orsaka person- och maskinskador.
- Om värmepumpen installeras i ett litet rum, måste man vidta åtgärder för att förhindra att köldmedelskoncentrationen i rummet överskrider säkerhetsgränsen i händelse av läckage. Rådfråga en återförsäljare om vilka åtgärder som måste vidtas för att förhindra att den tillåtna koncentrationen överskrider. Om köldmedlet läcker ut och gör att koncentrationen överskrider gränsen, kan risker uppstå på grund av syrebrist i rummet.
- Vädra rummet om köldmedel läcker ur vid drift. Om köldmedel kommer i kontakt med öppen låga kan giftiga gaser utvecklas.
- Alla elarbeten måste utföras av behörig tekniker enligt lokala föreskrifter och anvisningarna i denna manual. Enheterna måste matas via därför avsedda elledningar. Rätt spänning och överspänningsskydd måste användas. För klara elledningar eller felaktiga elinstallationer kan orsaka elektriska stötar eller brand.
- Använd C1220 koppar/fosfor till skarvfria rör av koppar eller kopparlegering för anslutning av kylmedelsrören. Om rören inte ansluts på rätt sätt, blir enheten inte ordentligt jordad och detta kan orsaka elektriska stötar.
- Denna apparat är avsedd att användas av kunniga eller utbildade personer i butiker, lättare industrier, inom lantbruk eller kommersiellt av lekmän.
- Använd endast angivna kablar för anslutningar. Anslutningarna måste göras på ett säkert sätt utan spänningar i terminalanslutningarna. Kablarna får aldrig skarvas (om inget annat anges i detta dokument). Om instruktionerna inte följs kan det leda till överhettning eller brand.
- Om nätströmssladden skadas måste den bytas av tillverkaren, dennes serviceombud eller annan person med liknande kvalifikationer för att undvika risker.
- Anläggningen ska installeras i enlighet med de nationella bestämmelserna rörande ledningsdragning.
- Skyddet för kopplingsplinten på utomhusenheten måste fästas ordentligt. Om skyddet monteras på fel sätt och om damm och fukt tränger in i enheten, kan detta orsaka elektriska stötar eller brand.

# 1. Säkerhetsåtgärder

- När du installerar, flyttar eller utför service på luftkonditioneringen får endast det angivna kylmedlet (R32) användas för att ladda kylmedelsrören. Blanda inte med andra kylmedel och låt inte luft vara kvar i rören. Om luft blandas med kylmedel kan det orsaka onormalt högt tryck i kylmedelsrören, vilket kan leda till explosion och andra faror. Användning av annat kylmedel än det som specificeras för systemet orsakar mekaniska fel, systemfel eller haveri. I värsta fall kan det leda till en allvarig brist som hotar produktens säkerhet.
- Använd endast tillbehör som är godkända av Mitsubishi Electric och be en återförsäljare eller behörig tekniker installera dem. Felaktig installation av tillbehör kan orsaka vattenläckage, elektriska stötar eller brand.
- Modifiera inte enheten. Det kan orsaka brand, elektriska stötar, skador eller vattenläckor.
- Användaren ska aldrig försöka reparera eller flytta enheten själv. Felaktig installation av enheten kan orsaka vattenläckage, elektriska stötar eller brand. Om värmepumpen måste repareras eller flyttas ska du kontakta en återförsäljare eller behörig tekniker.
- Samla INTE upp kylmedel via kompressorn om det finns en läcka i kylmedelskretsen.
- Vid utpumpning av kylmedel ska kompressorn stoppas innan kylningsrören kopplas bort. Kompressorn kan spricka om luft osv. tränger in i den.
- När installationen är klar, kontrollera att det inte läcker ut köldmedel. Om det läcker ut köldmedel i rummet och det kommer i kontakt med lågan i en värmare eller campingkök, utvecklas giftiga gaser.
- Försök inte accelerera avfrostningsförloppet eller rengöra på något annat sätt än de som rekommenderas av tillverkaren.
- Utrustningen ska förvaras i ett rum utan antändningskällor som är i kontinuerlig drift (till exempel: öppen låga, gasanordningar eller elektriska värmeanordningar).
- Får inte punkteras eller brännas.
- Var uppmärksam på att köldmediet kan vara luktfritt.
- ⊙ Rörsystem ska skyddas från fysiska skador.
- Installationen av rörsystem bör hållas till ett minimum.
- Nationella gasförordningar måste efterlevas.
- Blockera inga nödvändiga ventilationsöppningar.
- ⊙ Använd inte lödlegering av lågtemperatursort vid lödning av köldmedelsrören.
- ⊙ Se till att ventiler rummet tillräckligt då du utför lödningsarbete. Se till så att det inte finns några farliga eller lättantändliga material i närheten. Om du utför arbetet i ett stängt rum, litet rum, eller på en liknande plats, se till så att det inte finns några köldmedelsläckor innan du utför arbetet. Om köldmedelsgaser läcker ut och ansamlas kan de antändas eller ge upphov till giftiga gaser.
- ⊙ Enheten skall förvaras på en välventilerad yta där rumsstorleken motsvarar den rumsyta som specificeras vid drift.
- ⊙ Håll enheter med brinnande gas, elvärmare och andra eldkällor (gnistkällor) borta från den plats där installation, reparation och annat arbete på värmepumpen kommer att utföras.
- Om köldmedel kommer i kontakt med öppen låga kommer giftiga gaser att utvecklas.
- ⊙ Rök inte vid arbete eller transport.
- ⊙ Tillsätt inte mer kylmedel än den maximala tillåtna mängden till utomhusenheterna. Om den maximala mängden kylmedel överskrids kan det leda till brand när kylmedlet läcker.

## 1.1. Före installationen



### FÖRSIKTIGHET:

- Använd inte enheten på ovanliga ställen. Om värmepumpen installeras på en plats som utsätts för ånga, flyktiga oljor (inklusive maskinolja) eller svavelhaltiga gaser, områden med hög saltkoncentration, som kustområden eller områden där enheten kommer att täckas av snö, kan dess prestanda försämrats avsevärt och dess inre delar kan skadas.
- Installera inte enheten där brännbara gaser kan läcka ut, skapas, strömma ut eller ansamlas. Om brännbara gaser ansamlas runt enheten kan det orsaka brand eller explosion.
- Utomhusenheten skapar kondens vid värmning. Se till att det finns dränering runt utomhusenheten om det finns risk för att sådan kondens orsakar skador.
- Vid installation av enheten i ett sjukhus eller där det finns datakommunikation, var beredd på störande ljud och elektriska störningar. Växelriktare, hushållsapparater, medicinsk högfrekvensutrustning och radiokommunikationsutrustning kan leda till fel på värmepumpen eller haveri. Värmepumpen kan också påverka medicinsk utrustning, så att behandlingen störs, samt kommunikationsutrustning, så att kvaliteten på skärmbilder försämrats.

## 1.2. Före installationen (flyttning)



### FÖRSIKTIGHET:

- Var mycket försiktig när du transporterar eller installera enheter. Det krävs två eller flera personer för att hantera enheten, eftersom den väger 20 kg eller mer. Lyft inte i packbanden. Använd skyddshandskar för att ta ut enheten från emballaget och flytta den, då du kan skada dina händer på fenor eller kanterna på andra delar.
- Gör dig av med förpackningsmaterialet på ett säkert sätt. Förpackningsmaterial, som spikar och andra delar av metall eller trä, kan orsaka sticksår och andra skador.
- Utomhusenhetens fundament och fästen ska kontrolleras regelbundet så att de inte är lösa, har sprickor eller andra skador. Om sådana felaktigheter inte korrigeras, kan enheten falla ned och orsaka person- eller maskinskador.
- Rengör inte värmepumpen med vatten. Det kan orsaka elektriska stötar.
- Dra åt alla fläsmuttrar med en momentnyckel enligt specifikationen. Om de dras åt för hårt, kan fläsmuttrarna gå sönder efter en tid och köldmedel kan läcka ut.

## 1.3. Före elarbeten



### FÖRSIKTIGHET:

- Montera överspänningsskydd. Om sådana inte monteras, kan det orsaka elektriska stötar.
- Använd tillräckligt grova standardkablar för elledningarna. Annars kan det orsaka kortslutning, överhettning eller brand.
- Vid installation av elledningarna, belasta inte kablarna. Om anslutningarna lossas kan kablarna gå av och det kan orsaka överhettning eller brand.
- Jorda enheten. Anslut inte jordledningen till gas- eller vattenledningar, åskledare eller telefonens jordledning. Felaktig jordning av enheten kan orsaka elektriska stötar.
- Använd överspänningsskydd (jordfelsbrytare, fränkskiljare (+B-säkring) och helgjutna överspänningsskydd) med angiven kapacitet. Om kapaciteten för överspänningsskyddet är större än angiven kapacitet, kan detta orsaka haveri eller brand.

# 1. Säkerhetsåtgärder

## 1.4. Innan du startar provkörningen

### ⚠ FÖRSIKTIGHET:

- Slå på strömmen minst 12 timmar innan provkörningen startas. Om provkörningen startas omedelbart efter det att strömmen slagits på, kan interna delar skadas allvarligt. Låt strömbrytaren vara inkopplad under driftssäsongen.
- Innan du startar provkörningen, kontrollera att alla paneler, skydd och annan skyddsutrustning är korrekt monterad. Roterande eller heta delar eller högspänningsdelar kan orsaka personskador.

- Rör inte vid några omkopplare med svettiga händer. Det kan orsaka elektriska stötar.
- Rör inte vid köldmedelsrören med bara händer när enheten är igång. Köldmedelsrören är varma eller kalla beroende på det köldmedel som strömmar genom dem. Om du rör vid rören kan du få frost- eller brännskador.
- Efter körningen, vänta minst fem minuter innan du slår från strömbrytaren. Annars kan det uppstå vattenläckage eller haveri.

## 1.5. Använda R32-köldmedel i värmepumpen

### ⚠ FÖRSIKTIGHET:

- Använd C1220 koppar/fosfor till skarvfria rör av koppar eller kopparlegering för anslutning av kylmedelsrören. Kontrollera att rörens insidor är rena och inte innehåller skadliga föroreningar som svavelhaltiga föreningar, oxider, skräp eller damm. Använd rör med angiven tjocklek. (se 4.1.) Observera följande om du återanvänder befintliga rör som innehållit köldmedlet R22.
  - Byt befintliga flänsmuttrar och flänsa ut flänsarna igen.
  - Använd inte tunna rör. (Se 4.1.)
- Lagra de rör som ska användas vid installationen inomhus och håll båda ändarna av rören förseglade tills strax innan du ska löda dem. (Låt knärör osv ligga kvar i förpackningen.) Om damm, skräp eller fukt kommer in i köldmedelsrören, kan detta orsaka försämring av oljan eller kompressorhaveri.
- Använd olja med ester, eter, alkylbensen (liten mängd) som den köldmedelsolja som används på flänsarna. Om mineralolja blandas med köldmedelsolja kan detta orsaka försämring av oljan.

- Underhåll ska endast utföras enligt tillverkarens rekommendationer.
- Använd inget annat köldmedel än R32. Om något annat köldmedel används, gör kloret att oljan försämras.
- Använd följande verktyg, som är specialkonstruerade för att användas med köldmedlet R32. Det är nödvändigt att använda följande verktyg med köldmedlet R32. Kontakta närmaste återförsäljare om du har några frågor.

Verktyg (till R32)	
Mätlocka	Flänsverktyg
Påfyllingsslang	Instrument för storleksinställning
Gasläckagedetektor	Vakuumpumpadapter
Momentnyckel	Elektronisk väg för köldmedelspåfyllning

- Använd rätt verktyg. Om damm, skräp eller fukt kommer in i köldmedelsrören, kan detta orsaka försämring av köldmedelsoljan.

# 2. Välja plats för installationen

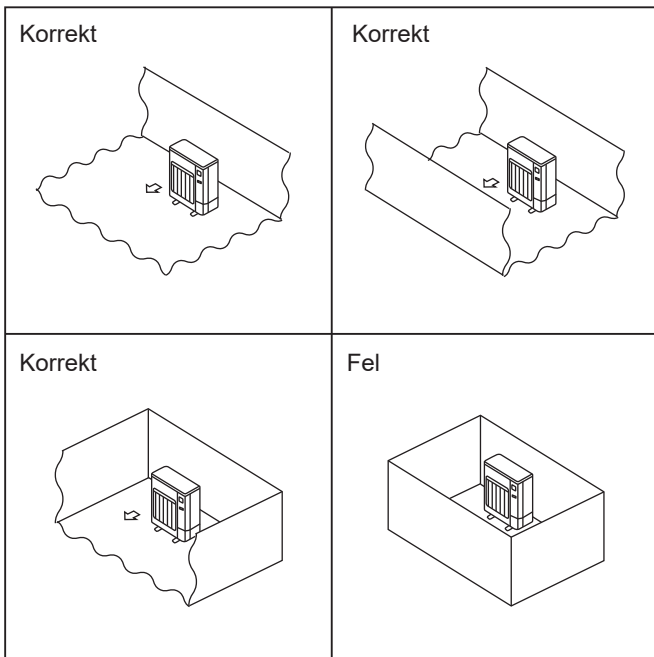


Fig. 2-1

## 2.1. Utomhusenhet

- R32 är tyngre än luft - och även andra kylmedel - så det tenderar att ansamlas vid fundamentet (nära golvet). Om R32 ansamlas vid fundamentet kan det uppnå en brandfarlig koncentration ifall rummet är litet. Säkerställ lämplig ventilation, så att enheten inte antänds och arbetsmiljön är säker. Om kylmedelsläckage konstateras i ett rum eller ett område med otillräcklig ventilation ska öppna lågor inte användas förrän lämplig ventilation säkerställts i arbetsmiljön.
  - Där den inte utsätts för kraftig vind.
  - Där luftflödet är tillräckligt och inte innehåller damm.
  - Där luften inte har för kort cykel.
  - Där grannarna inte störs av driftsljud eller varm luft.
  - Där det finns en styv vägg eller stöd som förhindrar förstärkning av driftsljud och vibrationer.
  - Där det inte finns någon risk för att brännbara gaser läcker ut.
  - När du installerar enheten högt, fäst enhetens ben.
  - Minst 3 m från TV- och radioantennor. (Annars kan bilden störas eller radiostörningar skapas.)
  - Installera luftkonditioneringen på en plats som inte utsätts för snö eller blåsande snö. På platser med mycket snö ska en baldakin, sockel och/eller skärmar monteras.
  - Installera enheten horisontellt.
  - Kylmedelsrörens anslutningar skall vara åtkomliga för underhåll.
- Ⓢ Installera utomhusenheter på en tillräckligt stor plats där minst en av de fyra sidiorna är öppen och det inte finns några nedsänkningar. (Fig. 2-1)

### ⚠ FÖRSIKTIGHET:

Undvik att installera värmepumpen på följande platser, där det finns risk att det uppstår problem.

- Där det finns för mycket maskinolja.
- Salt miljö, som vid havet.
- Områden med heta källor.
- Där det finns sulfidgas.
- Övriga platser med speciell luft.

Utomhusenheten producerar kondensation under uppvärmning. Välj en installationsplats där utomhusenheten och/eller marken inte kan blötas ned av dräneringsvatten eller skadas av fryst dräneringsvatten.



## 2. Välja plats för installationen

### 2.2. Minsta installationsområde

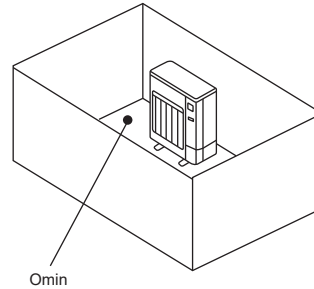
Om du måste installera en enhet på en plats där alla fyra sidor är blockerade eller där det finns nedsänkningar bekräftar du att en av följande situationer (A, B eller C) gäller.

**Obs: De här motåtgärderna är till för att upprätthålla säkerheten, men garanterar inte enhetens prestanda enligt inte för att garantera specifikationerna.**

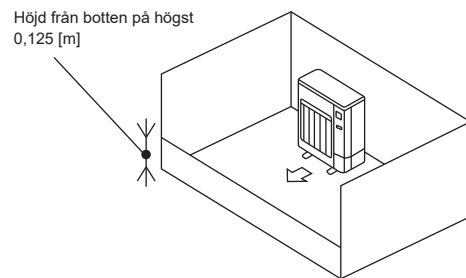
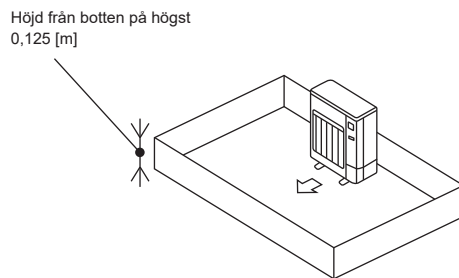
A) Se till att du har ett tillräckligt stort installationsutrymme (minsta installationsområde,  $O_{min}$ ).

Installera enheten på ett utrymme där installationsområdet är  $O_{min}$  eller större.  $O_{min}$  motsvarar kvantitet M av kylmedlet (kylmedel som fyllts på i fabriken + lokalt tillfört kylmedel).

M [kg]	$O_{min}$ [m <sup>2</sup> ]
1,0	12
1,5	17
2,0	23
2,5	28
3,0	34
3,5	39
4,0	45
4,5	50
5,0	56
5,5	62
6,0	67
6,5	73
7,0	78
7,5	84



B) Installera på en plats som inte är djupare nedsänkt än  $\leq 0,125$  [m].

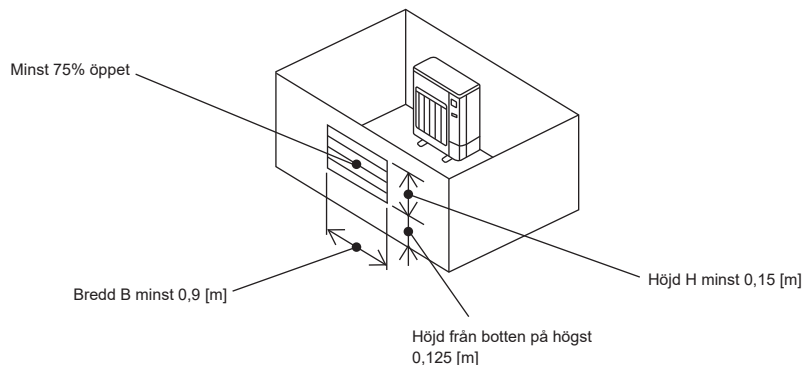


C) Skapa ett öppet område som ger lämplig ventilation.

Kontrollera att det öppna området är minst 0,9 [m] brett och minst 0,15 [m] högt.

Höjden från botten av installationsområdet till nederkanten på det öppna området ska emellertid vara högst 0,125 [m].

Det öppna området ska vara minst 75% öppet.



**Obs: För inomhusenheten finns inga installationsbegränsningar på grund av att R32-köldmedel används. Se inomhusenhetens installationshandbok och kontrollera monteringsplatsen som krävs.**

## 3. Installationsmall

### 3.1. Utomhusenhet (Fig. 3-1)

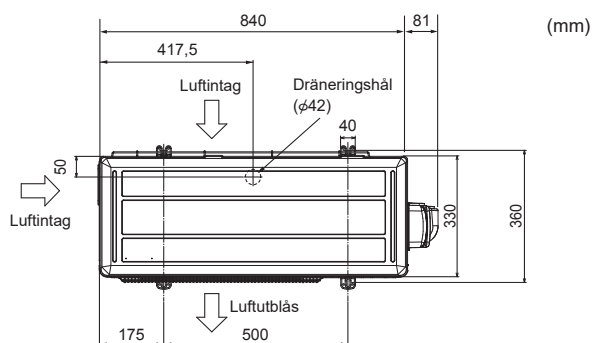
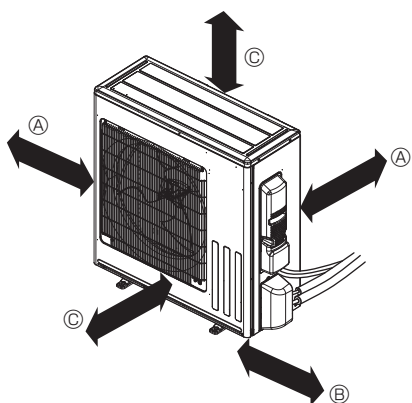
#### Ventilation och serviceavstånd

- Ⓐ 100 mm eller mer
- Ⓑ 350 mm eller mer
- Ⓒ 500 mm eller mer

När rörledningen ska fästas på vägg som innehåller metall (metallöverdragen) eller metallnät, använd en impregnerad träbit som är 20 mm eller tjockare mellan väggen och rörledningen eller tejp 7 till 8 varv eltejp runt rörledningen.

Enheter bör installeras av behörig installatör enligt lokala föreskrifter.

- SUZ-SWM80VA2, SUZ-SWM80VAH2, SUZ-SWM100VA, SUZ-SWM100VAH, SUZ-SHWM60VAH



#### Obs:

Följ instruktionerna nedan när värmepumpen används vid låga utomhustemperaturer.

- Installera aldrig utomhusenheten på en plats där luftintaget/luftutblåset direkt kan utsättas för bläst.
- För att förhindra att utomhusenheten utsätts för bläst ska den installeras med luftintagets sida riktad mot en vägg.
- För att förhindra att utomhusenheten utsätts för bläst rekommenderar vi att en skärm monterats på luftutblåsets sida.

- SUZ-SWM30VA, SUZ-SWM40VA2, SUZ-SWM60VA2, SUZ-SHWM30VAH, SUZ-SHWM40VAH

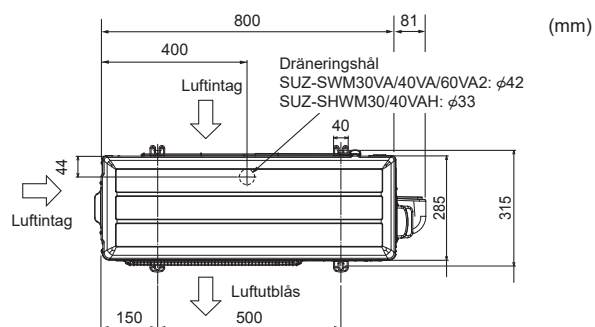
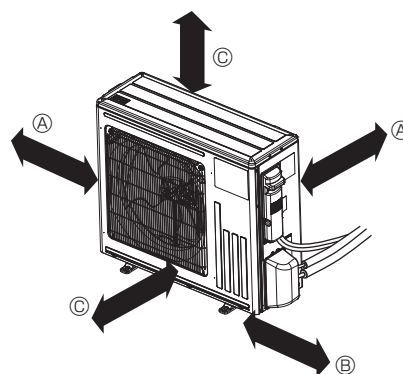


Fig. 3-1

## 4. Dräneringsrör för utomhusenhet (Fig. 4-1)

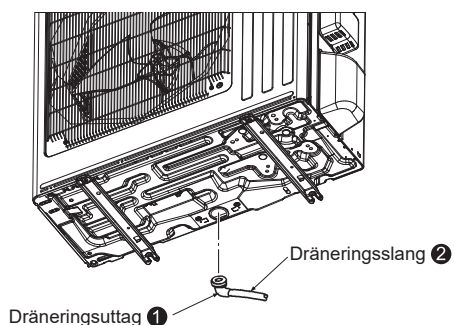


Fig. 4-1

### 4.1. Tillbehör

Kontrollera följande delar före installationen.

<Utomhusenhet>

①	Dräneringsuttag	1
---	-----------------	---

- Montera dräneringsrör innan inom- och utomhusenheternas rör ansluts. (Det är svårt att installera dräneringsuttag ① om inom- och utomhusenheternas rör ansluts före dräneringsrören eftersom utomhusenheten inte kan flyttas.)
- Anslut dräneringsslang ② (inhandlas i butik, inre diameter: 15 mm) så som visas på bilden för dränering.
- Se till att dräneringsrören lutar nedåt för att underlätta dräneringen.

#### Obs:

Använd inte dräneringsuttag ① på kalla platser. Dräneringen kan frysa vilket gör att fläkten stannar.

Dräneringsuttag ingår inte i SHWM-serien.

## 5. Kylmedelsrörsarbeten

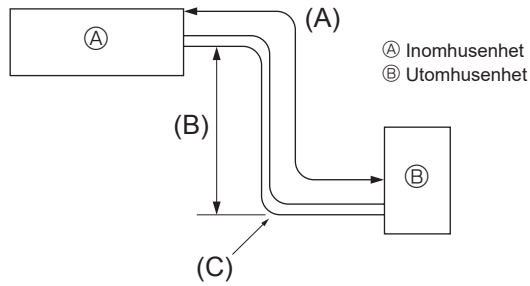


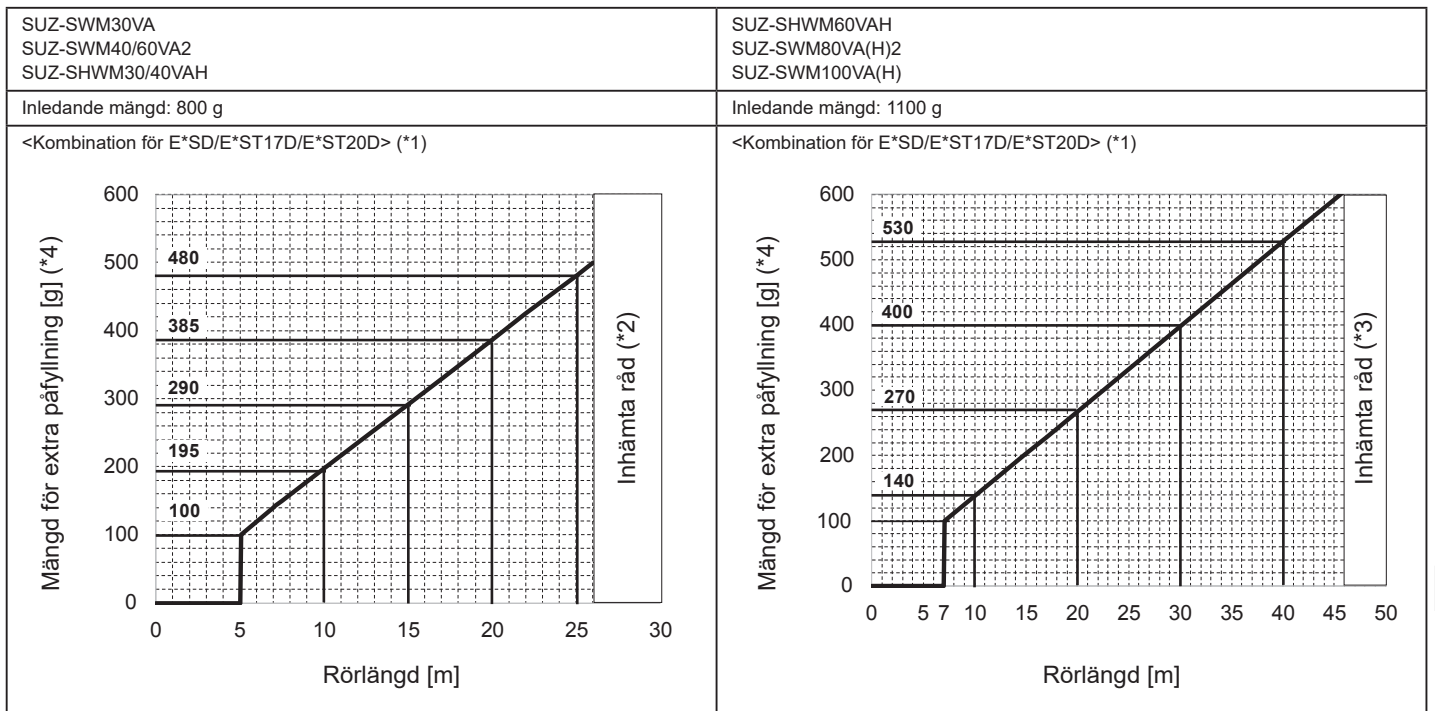
Fig. 5-1

### 5.1. Kylmedelsrör (Fig. 5-1)

► Kontrollera att höjdskillnaden mellan inomhus- och utomhusenheterna, längden på kylmedelsrören och antalet krökar på rören är inom de gränser som visas nedan.

Modeller	(A) Rörlängd (en riktning)	(B) Höjdskillnad	(C) Antal krökar (en riktning)
SUZ-SWM30VA	2 m - 26 m	Max. 26 m	Max. 10 st.
SUZ-SHWM30VAH			
SUZ-SWM40VA2			
SUZ-SHWM40VAH			
SUZ-SWM60VA2	2 m - 46 m	Max. 30 m	
SUZ-SHWM60VAH			
SUZ-SWM80VA(H)2			
SUZ-SWM100VA(H)			

• Gränserna för höjdskillnaderna är bindande oavsett vilken enhet, inomhus- eller utomhusenheten, som är positionerad högst.



\*1. Vid anslutning till E\*ST30D ska ALLTID 50 g läggas till utöver den extra påfyllningsmängden enligt diagrammen.

\*2. Kontakta vår specialist för rörlängder som är längre än 26 m.

\*3. Kontakta vår specialist för rörlängder som är längre än 46 m.

\*4. Vid full påfyllning: inledande + mängd för extra påfyllning

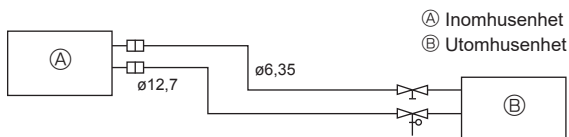


Fig. 5-2

(1) Tabellen nedan visar specifikationer för vanliga rör. (Fig. 5-2)

Modell	Rör	Yttre diameter		Minsta vägg-tjocklek	Isolerings-tjocklek	Isolerings-material
		mm	tum			
Alla modeller	För vätska	6,35	1/4	0,8 mm	8 mm	Värmebeständig skumplast
	För gas	12,7	1/2	0,8 mm	8 mm	0,045 specifik vikt

(2) Se till att de två kylningsrören är väl isolerade för att undvika kondensation.

(3) Kylningsrörens böjningsradie måste vara 100 mm eller mer.



### FÖRSIKTIGHET:

Isolera noggrant med isolering med angiven tjocklek. För tjock tjocklek gör att de inte går att lagra bakom inomhusenheten och för tunn tjocklek orsakar daggdroppar.

- Säkerställ lämplig ventilation, så att enheten inte antänds. Se dessutom till att vidta brandförebyggande åtgärder och kontrollera att det inte finns några farliga eller lättantändliga föremål i närheten.
- Påfyllning av R32 vid underhåll: Innan utrustningen fylls på med R32 vid underhåll måste det säkerställas att enheten är helt och hållet bortkopplad från elnätet så att det inte förekommer någon explosionsrisk vid elektriska stötar.
- Isoleringmaterialen bör uppfylla följande SPECIFIKATIONER.
  - (1) Värmeöverföring: 0,040 W/mK eller lägre
  - (2) Isoleringstjocklek: 9 mm eller mer
  - (3) Värmetålighet: 110 °C eller mer
 Om rörlängden på utsidan överstiger 15 m ska isoleringens tjocklek vara 18 mm eller mer.

## 5. Kylmedelsrörsarbeten

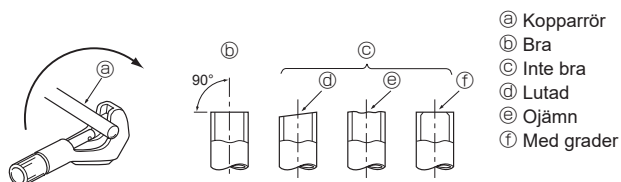


Fig. 5-3

- Ⓐ Kopparrör
- Ⓑ Bra
- Ⓒ Inte bra
- Ⓓ Lutad
- Ⓔ Ojämn
- Ⓕ Med grader

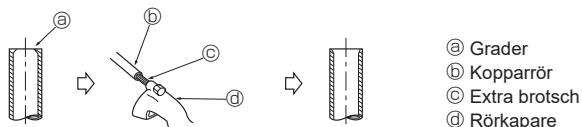


Fig. 5-4

- Ⓐ Grader
- Ⓑ Kopparrör
- Ⓒ Extra brotsch
- Ⓓ Rörkapare

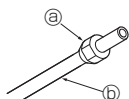


Fig. 5-5

- Ⓐ Flänsmutter
- Ⓑ Kopparrör

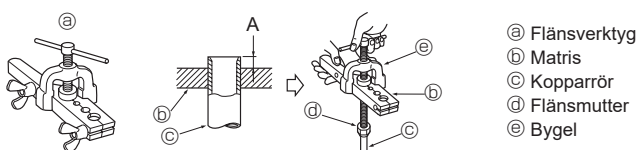


Fig. 5-6

- Ⓐ Flänsverktyg
- Ⓑ Matris
- Ⓒ Kopparrör
- Ⓓ Flänsmutter
- Ⓔ Bygel

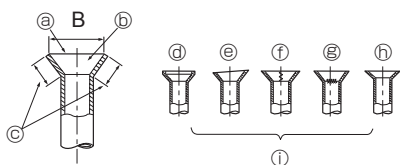


Fig. 5-7

### 5.2. Flänsning

- Huvudorsaken till gasläckage är undermålig flänsning. Utför korrekt flänsning enligt följande.

#### 5.2.1. Skära av rör (Fig. 5-3)

- Skär av kopparröret på rätt sätt med en rörkapare.

#### 5.2.2. Avgradning (Fig. 5-4)

- Ta bort alla grader från rörets avskurna tvärsnitt.
- Placera kopparrörets ände nedåt när du tar bort grader för att förhindra att grader faller ned i röret.

#### 5.2.3. Sätta på mutter (Fig. 5-5)

- Ta bort de flänsmuttrar som sitter på inom- och utomhusenheterna. Placera dem på röret när avgradningen är klar. (det går inte att sätta på dem efter flänsningen)

#### 5.2.4. Flänsning (Fig. 5-6)

- Utför flänsningen med ett flänsverktyg så som visas till vänster.

Rördiameter (mm)	Mått	
	A (mm)	B <sup>+0</sup> <sub>-0,4</sub> (mm)
	När verktyget för R32 används	
	Kopplingstyp	
6,35	0 - 0,5	9,1
9,52	0 - 0,5	13,2
12,7	0 - 0,5	16,6
15,88	0 - 0,5	19,7

Håll fast kopparröret i en matris med den dimension som visas i tabellen ovan.

#### 5.2.5. Kontrollera (Fig. 5-7)

- Jämför flänsningen med en figur till vänster.
- Om flänsen är dålig, skär av den flänsade delen och utför flänsningen igen.

- Ⓐ Jämn hela vägen runt
- Ⓑ Insidan är blank utan repor
- Ⓒ Jämn längd hela vägen runt
- Ⓓ För mycket
- Ⓔ Lutad
- Ⓕ Repa på flänsytan
- Ⓖ Sprucken
- Ⓗ Ojämn
- Ⓘ Dåliga exempel

- Sätt på ett tunt lager kylmedelsolja på rörets anslutningsyta. (Fig. 5-8)
- Centra först vid anslutningen, och dra sedan åt flänsmuttern de första 3 till 4 varven.
- Använd tabellen över åtdragningsmoment nedan som riktlinje för anslutningar på inomhussidan, och dra åt med två nycklar. Om du drar åt för mycket skadas flänsdelen.

Kopparrör Y.D. (mm)	Flänsmutter Y.D. (mm)	Åtdragningsmoment (N·m)
ø6,35	17	14 - 18
ø9,52	22	34 - 42
ø12,7	26	49 - 61
ø15,88	29	68 - 82

### ! VARNING:

Vid installation av enheten ska kylningsrören anslutas ordentligt innan kompressorn startas.

### ! VARNING:

Se upp för flygande flänsmuttrar! (på grund av internt tryck)

Ta bort flänsmuttern enligt följande:

1. Lossa muttern tills du hör ett väsande.
2. Ta inte bort muttern innan all gas släppts ut (dvs när väsandet upphör).
3. Kontrollera att all gas släppts ut och ta sedan bort muttern.

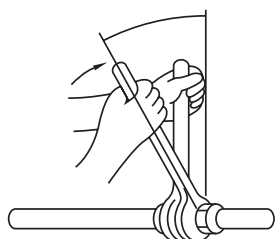
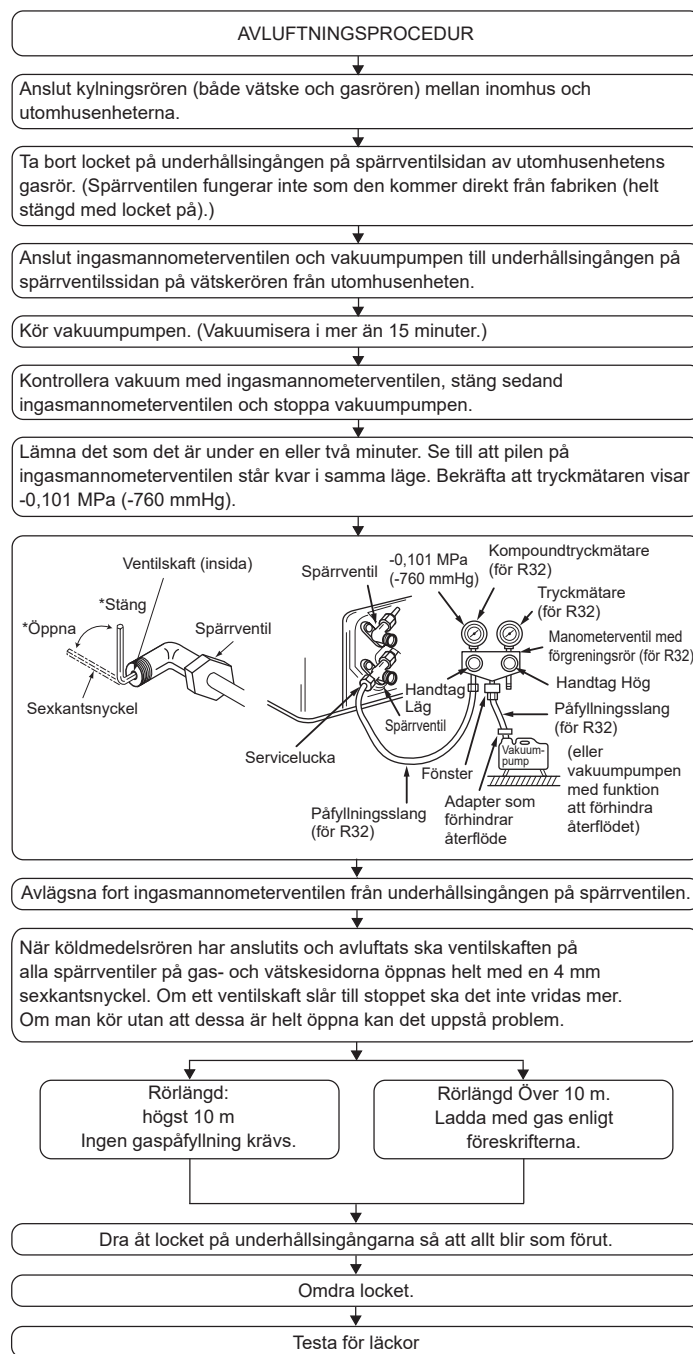


Fig. 5-8

## 5. Kylmedelsrörsarbeten

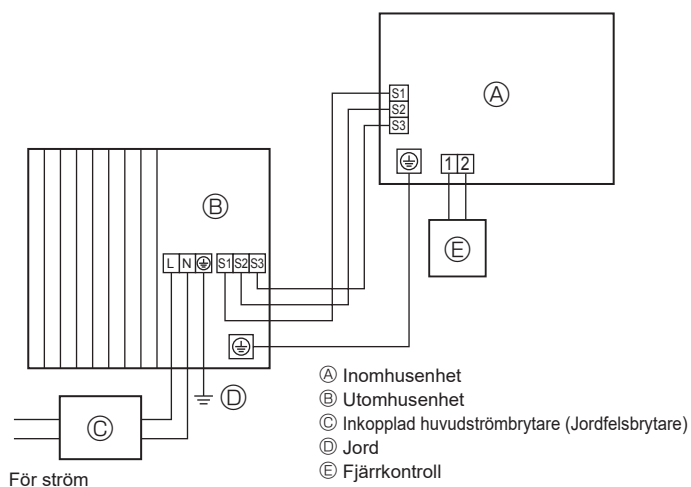
### 5.3. Läckageprov vid luftning



## 6. Elektriska arbeten

### 6.1. Utomhusenhet (Fig. 6-1, Fig. 6-2, Fig. 6-3)

- ① Avlägsna servicepanelen.
  - ② Anslut kablarna med hänvisning till Fig. 6-1, Fig. 6-2, och Fig. 6-3.
- SUZ-SHWM60VAH, SUZ-SWM80VA(H)2, SUZ-SWM100VA(H)



■ SUZ-SHWM30/40VAH, SUZ-SWM30VA, SUZ-SWM40/60VA2

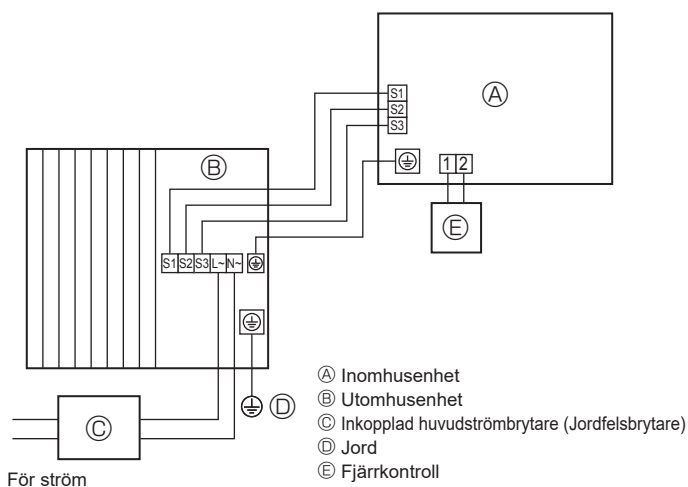


Fig. 6-1

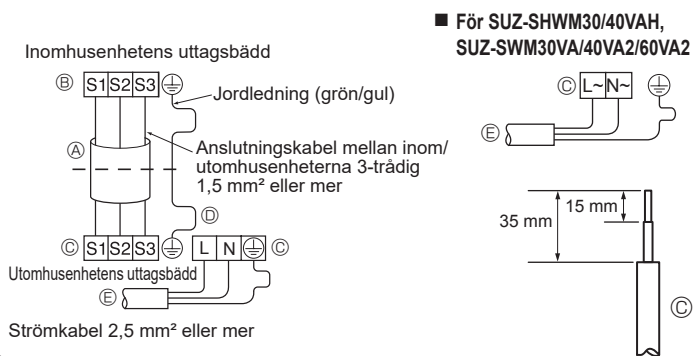
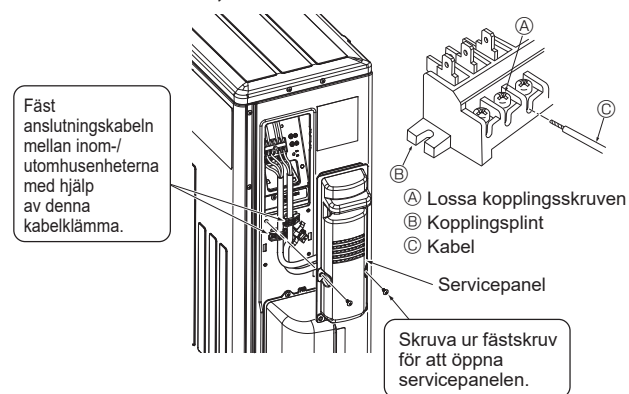


Fig. 6-2

■ SUZ-SWM30VA, SUZ-SWM40VA2, SUZ-SWM60VA2, SUZ-SHWM30VAH, SUZ-SHWM40VAH



■ SUZ-SWM80VA2, SUZ-SWM100VA, SUZ-SWM80VAH2, SUZ-SWM100VAH, SUZ-SHWM60VAH

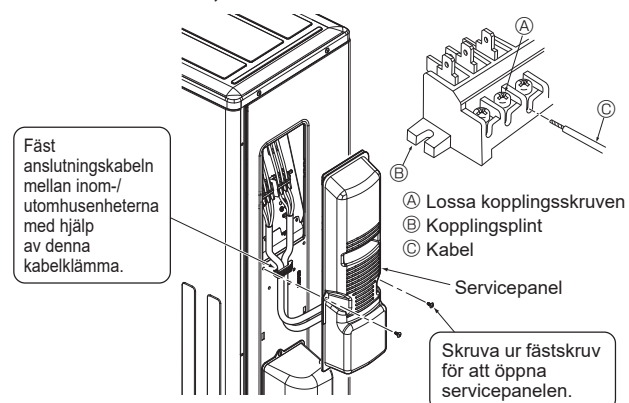


Fig. 6-3

- Utför ledningsdragningen enligt diagrammet till vänster. (Köp in kabeln lokalt) (Fig. 6-2)
- Använd endast kablar med rätt polaritet.
- Gör jordledningen lite längre än de övriga. (Mer än 100 mm)
- Gör anslutningskablarna extra långa för framtida underhåll.
- Kom ihåg att fästa skruvarna i motsvarande uttag när sladdar och/eller kablar ansluts till kopplingsplinten.

- Anslut kabeln från inomhusenheten korrekt i kopplingsplinten.
- Använd samma kopplingsplint och polaritet som med inomhusenheten.
- För underhåll i efterhand, gör anslutningskabeln extra lång.

- Anslutningskabelns båda ändar (förlängning) skalas. Om den är för lång, eller om den ansluts genom att mitten skärs av, skala elkabeln till längden i bilden.
- Var försiktig så att anslutningskabeln inte kommer i kontakt med rörledningen.

### ⚠ FÖRSIKTIGHET:

- Var försiktig så att du inte ansluter kablarna fel.
- Dra åt kopplingskruvarna ordentligt så att de inte lossnar.
- Efter åtdragningen, dra lätt i kablarna för att kontrollera att de inte rör sig.

### ⚠ VARNING:

- Fäst utomhusenhetens servicepanel ordentligt. Om den inte är fäst korrekt, kan det orsaka brand eller elstötar på grund av damm, vatten osv.
- Dra åt kopplingskruvarna ordentligt.
- Kabeldragningen ska utföras så att elledningarna inte belastas. Annars kan värme genereras eller brand uppstå.

## 6. Elektriska arbeten

### 6.2. Elektrisk ledningsdragning på platsen

Utomhusenhet, modell	SUZ-SHWM30VAH/40VAH SUZ-SWM30VA/40VA2/60VA2	SUZ-SHWM60VAH SUZ-SWM80VA(H)2/SWM100VA(H)
Utomhusenhet, strömförsörjning	~N (enkel), 50 Hz, 230 V	~N (enkel), 50 Hz, 230 V
Utomhusenhet, inkapacitet Huvudströmbrytare (Brytare)	*1 16 A	20 A
Ledningsdragning Ledningsnr. x storlek (mm <sup>2</sup> )	Utomhusenhet, strömförsörjning	2 x Min. 2,5
	Utomhusenhet, strömförsörjning jord	1 x Min. 2,5
	Inomhusenhet-Utomhusenhet	3 x 1,5 (Polär)
Kretsens märkdata	Inomhusenhet-Utomhusenhet jord	1 x Min. 1,5
	Utomhusenhet L-N	*2 230 VAC
	Inomhusenhet-Utomhusenhet S1-S2	*2 230 VAC
Inomhusenhet-Utomhusenhet S2-S3	*2 12 VDC – 24 VDC	12 VDC – 24 VDC

\*1. En brytare med minst 3 mm mellan kontaktarna i uttagen ska tillhandahållas. Använd en jordströmsbrytare (NV).

Säkerställ att jordfelsbrytaren är kompatibel med högre svängningar.

Använd alltid en jordfelsbrytare som är kompatibel med högre svängningar eftersom denna enhet är utrustad med en växelriktare.

Om en otillräcklig brytare används kan växelriktaren fungera felaktigt.

\*2. Värdena gäller INTE alltid jord.

S3-uttaget har 24 VDC till S2-uttaget. Mellan S3 och S1 är uttagen INTE elektriskt isolerade av transformatorn eller någon annan enhet.

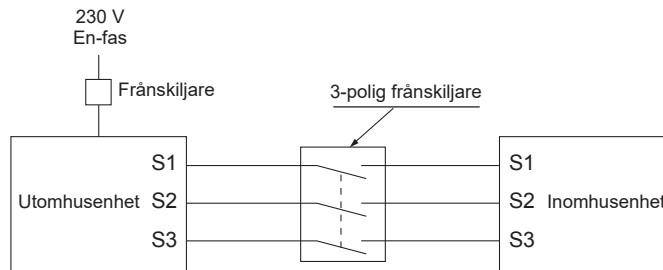
**Obs: 1. Ledningsstorleken måste uppfylla tillämpliga lokala och nationella föreskrifter.**

**2. Nätströmsladdar och anslutningsladdar för inom- och utomhusenheter bör inte vara lättare än polykloroprenskärmad böjlig sladd. (Konstruktion 60245 IEC 57)**

**3. Montera en jordkabel som är längre än de övriga kablarna.**

**4. Använd självsläckande distributionskablar för strömtillförsels kablar.**

**5. Dra kablarna ordentligt så att de inte får kontakt med metallkanten eller skruvspetsen.**



### **! VARNING:**

Det finns högspänningspotential på S3-uttaget som orsakas av att de elektriska kretsarna saknar elektrisk isolering mellan strömledningen och signalledningen. Därför bör huvudströmmen stängas av vid underhåll. Ta inte på uttagen S1, S2 eller S3 när strömmen är på. Använd en 3-polig frånskiljare om en frånskiljare monteras mellan inom- och utomhusenheterna.

Strömkabeln eller kabeln för utomhusanslutningar får aldrig skarvas. Det kan leda till rökbildning, brand eller kommunikationsfel.

Se till att inom- och utomhusenheternas anslutningskablar ansluts direkt till enheterna (inga mellanliggande anslutningar).

Mellanliggande anslutningar kan leda till kommunikationsfel om vatten tränger in i kablarna och gör jordisoleringen otillräcklig eller skapar dålig elektrisk kontakt vid den mellanliggande anslutningspunkten.

## 7. Underhåll

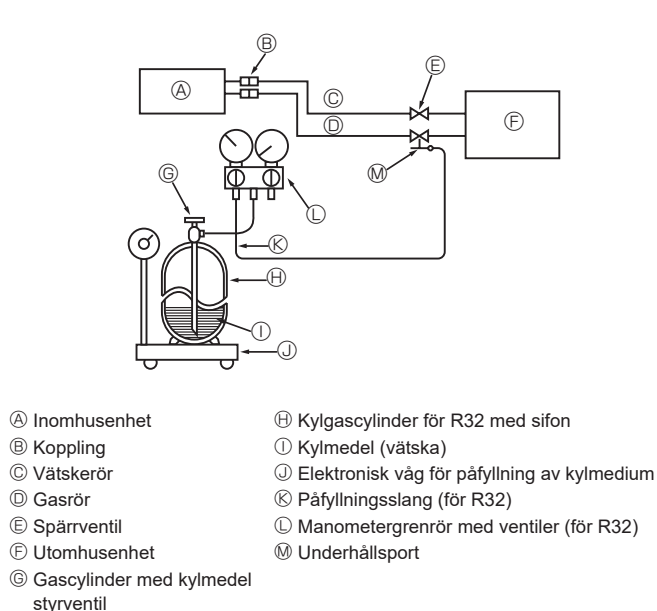


Fig. 7-1

### 7.1. Gaspåfyllning (Fig. 7-1)

1. Anslut gascylindern till stoppventilens serviceport (3-vägs).
2. Avlufta det rör (eller den slang) som kommer från gascylindern med kylmedel.
3. Fyll på angiven mängd kylmedel, medan värmepumpen körs för kylning.

**Obs:**

När kylmedel tillsätts ska specificerade mängd tillsättas för varje kylningcykel.

### **! FÖRSIKTIGHET:**

- Släpp inte ut kylmedlet i atmosfären. Var försiktig så att kylmedlet inte kommer ut i atmosfären under installation, återinstallation eller reparation av kylmedelskretsen.
- Vid ytterligare påfyllning, byt kylmedel i flytande form i gasbehållaren. Om kylmedlet byts i gasform, kan sammansättningen för kylmedlet i cylindern och utomhusenheten förändras. I ett sådant fall kan kapaciteten under kylcykeln försämrats eller normal funktion bli helt omöjlig. Påfyllning av allt kylmedel på en gång kan få kompressorn att låsa sig. Fyll därför på kylmedel långsamt.

Värm cylindern i varmt vatten (under 40°C) när det är kallt för att bibehålla ett högt tryck i cylindern. Värm den dock aldrig under öppen låga eller med ånga.

## 8. Vattenrör

### 8.1. Lägsta vattenvolym

Se installationsmanualen för inomhusenheten.

### 8.2. Tillgängligt område (vattenflöde, returvattentemp.)

Säkerställ följande vattenflödeshastighet och temperaturintervall för retur i vattenkretsen.

Dessa kurvor är relaterade till vattenvolymen.

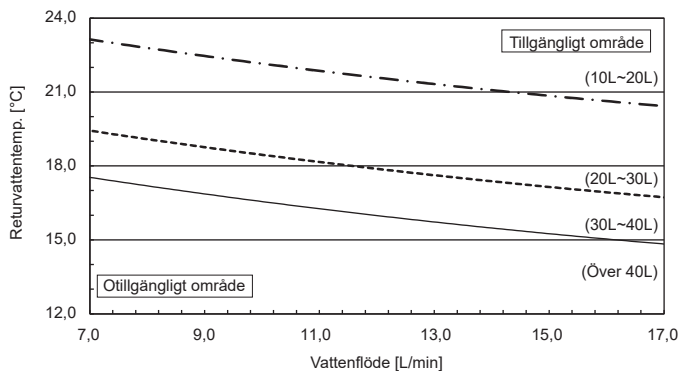
#### ■ Uppvärmning

SUZ-SWM30VA SUZ-SHWM30VAH

SUZ-SWM40VA2 SUZ-SHWM40VAH

SUZ-SWM60VA2

Lägsta returvattentemperatur beroende på vattenvolymen i systemet

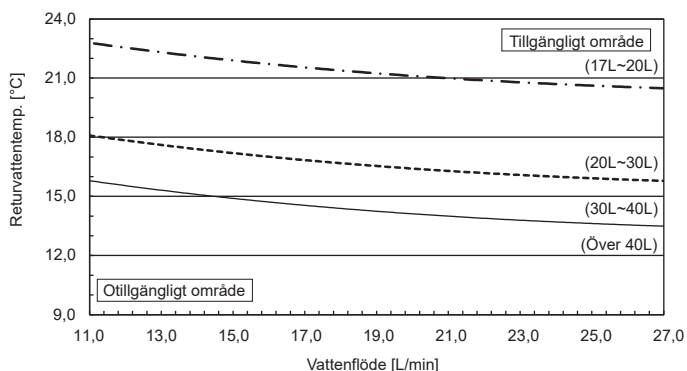


SUZ-SWM80VA(H)2

SUZ-SWM100VA(H)

SUZ-SHWM60VAH

Lägsta returvattentemperatur beroende på vattenvolymen i systemet



Obs:

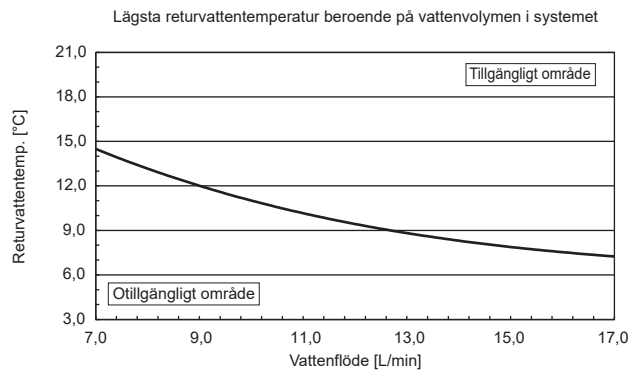
- Var noga med att undvika det otilgängliga området vid avfrostning. Annars blir avfrostningen av utomhusenheten otillräcklig och/eller inomhusenhetens värmexlaren kan frysa.
- Flödestemperaturen MÅSTE alltid vara MINST 32°C när utomhustemperaturen sjunker under -15°C. Potentiella risker med att plåtens värmexlaren fryser och skadas samt att värmexlaren utomhus fryser på grund av otillräcklig avfrostning.



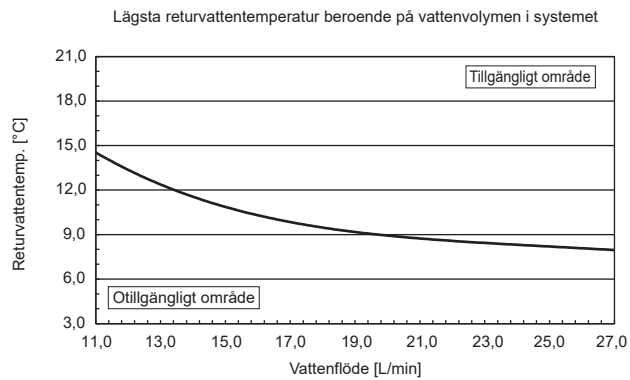
## 8. Vattenrör

### ■ Kylning

SUZ-SWM30VA SUZ-SHWM30VAH  
SUZ-SWM40VA2 SUZ-SHWM40VAH  
SUZ-SWM60VA2



SUZ-SWM80VA(H)2  
SUZ-SWM100VA(H)  
SUZ-SHWM60VAH



Obs:

Var noga med att undvika det otillgängliga området vid avfrostning.

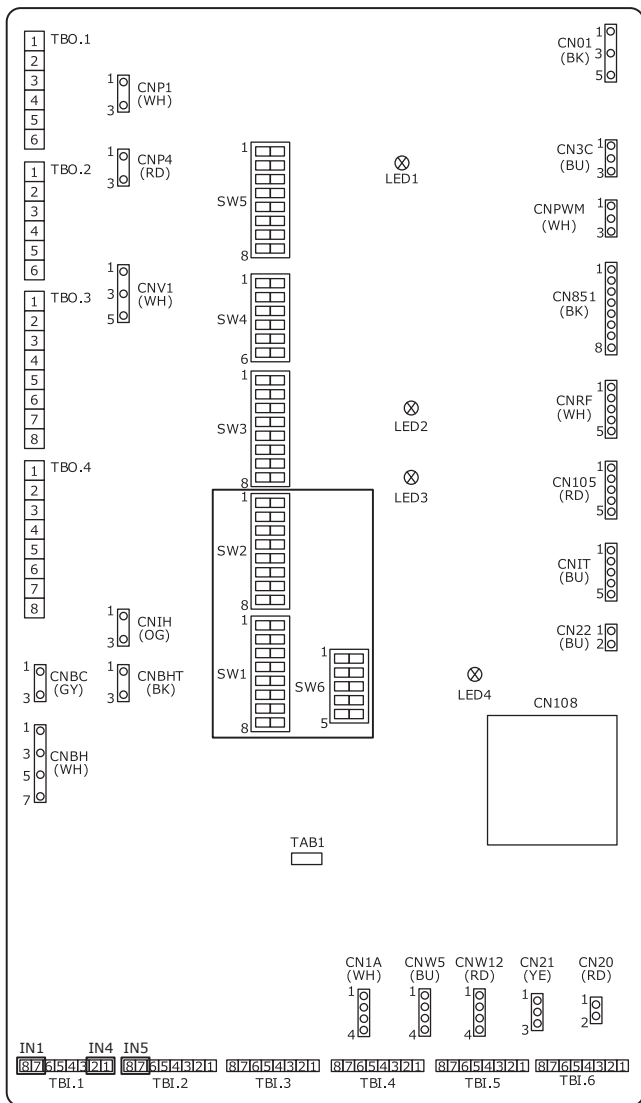
Annars blir avfrostningen av utomhusenheten otillräcklig och/eller inomhusenhetens värmeväxlare kan frysa.

SV

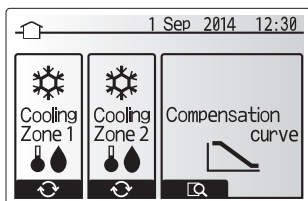
## 9. Urpumpning

Vid omplacering eller avyttrande av utomhusenheten, följ nedanstående anvisningar för att pumpa ur systemet så att inte kylmedel släpps ut i atmosfären.

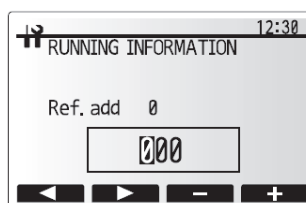
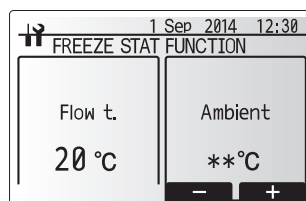
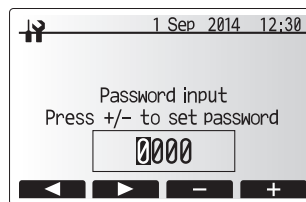
- ① Stäng AV all strömförsörjning (däribland inomhusenhet, värmare, utomhusenhet, etc.)
- ② Anslut ingasmanometerventilen till spärrventilens serviceport på utomhusenhetens gasrörssida.
- ③ Stäng spärrventilen helt på utomhusenhetens vätskerörssida.
- ④ Ändra inställningarna på inomhusenheten.
  - Ställ in DIP-omkopplare SW1-3 på OFF, SW2-1 på OFF, SW2-4 på ON och SW6-3 på OFF på inomhusenhetens styrkort.
  - Koppla från signal-ingångarna IN1 (ingång rumstermostat 1), IN4 (ingång styrkontroll) samt IN5 (ingång utomhustermostat).



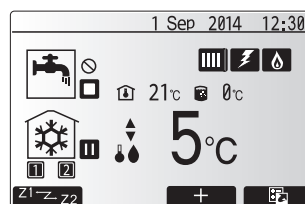
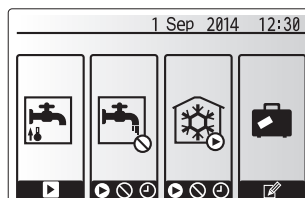
- ⑤ Sätt PÅ all strömförsörjning.
- ⑥ Välj "Heating/cooling mode" → "Cooling flow temp." från huvudmenyn i inomhusenhetens huvudstyrenhet.



- ⑦ På huvudmenyn väljer du "Service" och ändrar inställningen enligt nedan. Du blir ombedd att mata in ett lösenord. DET FABRIKSINSTÄLLDA LÖSENORDET är "0000".
  - Välj "Operation settings" → "Freeze stat function" och ställ in lägsta utomhustemperatur på \*(asterisk).
  - Välj "Running information" och ställ in referensadressen på 351.



- ⑧ Utför hämtning av kylmedel.
  - Tryck på "ON/OFF" på huvudstyrenheten.
  - Välj "Cooling ON" från alternativmenyn.
  - Ställ in målflödets temperatur på 5 °C. Om systemet styrs av en termostat för rumstemperatur ska rumstemperaturen ställas in på 10 °C. Hämtning av kylmedel startar efter 60 sekunder.
  - Se installationsanvisningarna eller bruksanvisningen för inomhusenheten för mer information om inställningarna för huvudstyrenheten.



Fortsätter på nästa sida.

## 9. Urpumpning

- ⑨ Stäng spärrventilen helt på utomhusenhetens gasrörssida när tryckmätaren visar 0,05 till 0 MPa [Mätare] (ca 0,5 till 0 kgf/cm<sup>2</sup>) och stoppa utomhusenheten snabbt.
- Stoppa utomhusenheten genom att trycka på "ON/OFF"-knappen på fjärrkontrollen.
  - \* Observera att om förlängningsrören är mycket långa med en stor mängd kylmedel kanske det inte går att genomföra en återvinning. I sådant fall ska du samla upp kylmedlet i systemet med en utrustning för kylmedelsuppsamling.
- ⑩ Återställ inställningarna för huvudstyrenheten som ändrades i steg ⑨ ovan.
- ⑪ Håll "ON/OFF" på inomhusenhetens huvudstyrenhet intryckt under cirka 3 sekunder för att stoppa enheten.
- ⑫ Återställ inställningarna för huvudstyrenheten som ändrades i något annat steg än steg ⑨.
- \* Återställa "Running information": Ställ in referensadressen på 350.
- ⑬ Stäng AV all strömförsörjning och återställ DIP-omkopplarna till sina tidigare inställningar.
- ⑭ Ta bort mätarens grenrörsväventil och koppla sedan loss kylmedelsrören.



### VARNING:

Samla INTE upp kylmedel via kompressorn om det finns en läcka i kylmedelskretsen.

Vid uppsamling av kylmedel ska kompressorn stoppas innan kylmedelsrören kopplas bort.

- Om kylmedelsrören kopplas bort när kompressorn är igång och stoppventilen (kulventilen) är öppen, kan trycket i kylningscykeln bli extremt högt om luft sugas in vilket kan leda till att rören sprängs eller att personskador uppstår osv.



### FÖRSIKTIGHET:

Använd INTE detta KYLLÄGE vid anslutning till en inomhusenhet som saknar KYLLÄGE för andra ändamål än utpumpning.

## 10. Specifikationer

Utomhusmodell		SUZ-SWM30VA	SUZ-SHWM30VAH	SUZ-SWM40VA2	SUZ-SHWM40VAH	SUZ-SWM60VA2
Strömtillförsel	V / Fas / Hz	230 / Enskild / 50				
Mått (B × H × D)	mm	800 × 714 × 285				
Ljudnivå (Värme)	*1 dB(A)	57	57	57	58	60
	*2 dB(A)	54	54	54	55	56

Utomhusmodell		SUZ-SHWM60VAH	SUZ-SWM80VA(H)2	SUZ-SWM100VA(H)
Strömtillförsel	V / Fas / Hz	230 / Enskild / 50		
Mått (B × H × D)	mm	840 × 880 × 330		
Ljudnivå (Värme)	*1 dB(A)	60	60	62
	*2 dB(A)	58	59	60

\*1. Uppmätt vid drift på märkfrekvens vid omgivningstemperatur 7 °C DB/6 °C WB och utloppsvatten 55 °C

\*2. Uppmätt enligt EN12102 och villkoren i EN14825

EU DECLARATION OF CONFORMITY  
EU-KONFORMITÄTSEKTLÄRUNG  
DÉCLARATION DE CONFORMITÉ UE  
EU-CONFORMITEITSVERKLARING  
DECLARACIÓN DE CONFORMIDAD UE  
DICHIARAZIONE DI CONFORMITÀ UE  
ΔΗΛΩΣΗ ΣΥΜΜΟΡΦΩΣΗΣ ΕΕ  
DECLARAÇÃO DE CONFORMIDADE UE  
EU-OVERENSSTEMMELSESEKTLÆRING

EG-DEKLARATION OM ÖVERENSSTÄMMELSE  
AV UYGUNLUK BEYAN  
ДЕКЛАРАЦИЯ СООТВЕТСТВИЯ НОРМАМ ЕС  
ДЕКЛАРАЦІЯ ВІДПОВІДНОСТІ ВИМОГАМ ЄС  
ЕС ДЕКЛАРАЦІЯ ЗА СЪОТВЕТСТВИЕ  
DEKLARACJA ZGODNOŚCI UE  
EU-ERKLÆRING OM SAMSVAR  
EU-VAATIMUSTENMUKAISUUSVAKUUTUS  
EU PROHLÁŠENÍ O SHODĚ

EÚ VYHLÁŠENIE O ZHODE  
EU MEGFELELŐSÉGI NYILATKOZAT  
IZJAVA EU O SKLADNOSTI  
DECLARAȚIE DE CONFORMITATE UE  
EL-I VASTAVUSDEKLARATSIOON  
ES ATBILSTĪBAS DEKLARĀCIJA  
ES ATITIKTIES DEKLARACIJA  
EU IZJAVA O SUKLADNOSTI  
EU IZJAVA O USAGLAŠENOSTI

**MITSUBISHI ELECTRIC CONSUMER PRODUCTS (THAILAND) CO., LTD**  
**700/406 MOO 7, TAMBON DON HUA ROH, AMPHUR MUANG, CHONBURI 20000, THAILAND**

hereby declares under its sole responsibility that the air conditioner(s) and heat pump(s) for use in residential, commercial, and light-industrial environments described below:  
erklärt hiermit auf seine alleinige Verantwortung, dass die Klimaanlage(n) und Wärmepumpe(n) für das häusliche, kommerzielle und leichtindustrielle Umfeld wie unten beschrieben:  
déclare par la présente et sous sa propre responsabilité que le(s) climatiseur(s) et la/les pompe(s) à chaleur destinés à un usage dans des environnements résidentiels, commerciaux et d'industrie légère décrits ci-dessous :  
verklaart hierbij onder eigen verantwoordelijkheid dat de voor huishoudelijke, handels- en lichtindustriële omgevingen bestemde airconditioner(s) en warmtepomp(en) zoals onderstaand beschreven:

por la presente declara, bajo su exclusiva responsabilidad, que el(los) acondicionador(es) de aire y la(s) bomba(s) de calor previsto(s) para su uso en entornos residenciales, comerciales y de industria ligera que se describen a continuación:

conferma con la presente, sotto la sua esclusiva responsabilità, che i condizionatori d'aria e le pompe di calore destinati all'utilizzo in ambienti residenziali, commerciali e semi-industriali e descritti di seguito:

με το παρόν δηλώνει με αποκλειστική ευθύνη ότι το ή τα κλιματιστικά και η ή οι αντλίες θερμότητας για χρήση σε οικιακά, εμπορικά και επαγγελματικά περιβάλλοντα που περιγράφονται παρακάτω:

declara pela presente, e sob sua exclusiva responsabilidade, que o(s) aparelho(s) de ar condicionado e a(s) bomba(s) de calor destinados a utilização em ambientes residenciais, comerciais e de indústria ligeira descritos em seguida:

erklærer hermed under eneansvar, at det/de herunder beskrevne airconditionanlæg og varmepumpe(r) til brug i beboelses- og erhvervs miljøer samt i miljøer med let industri:

intyggar härmed att luftkonditioneringarna och värmepumparna som beskrivs nedan för användning i bostäder, kommersiella miljöer och lätta industriella miljöer:

ev, ticaret ve hafif sanayi ortamlarında kullanıma yönelik aşağıda açıklanan klima ve ısıtma pompalarıyla ilgili aşağıdaki hususları yalnızca kendi sorumluluğunda olmak üzere beyan eder:

настоящим заявляет под свою исключительную ответственность, что кондиционер (-ы) и тепловой (-ые) насос (-ы) для использования в описанных ниже жилых, коммерческих и небольших складских и промышленных помещениях:

цим заявляю, беручи на себе повну відповідальність за це, що кондиціонер (-и) й тепловий (-и) насос (-и), описані нижче й призначені для використання в житлових приміщеннях, торговельних залах і на підприємствах легкої промисловості:

декларира с настоящата на своя собствена отговорност, че климатикъ(т)е и термомпата(ите), посочени по-долу и предназначени за употреба в жилищни, търговски и лекопромишлени среди:

niniejszym oświadczam na swoją wyłączną odpowiedzialność, że klimatyzatory i pompy ciepła do zastosowań w środowisku mieszkalnym, handlowym i lekko przemysłowym opisane poniżej:

erklærer et fullstendig ansvar for undernevnte klimaapparat og varmepumper ved bruk i boliger, samt kommersielle og lettindustrielle miljøer:

vakuuttaa täten yksinomaista vastuutaan, että jäljempänä kuvutat asuinrakennuksiin, pienteeollisuuskäyttöön ja kaupalliseen käyttöön tarkoitettuihin ilmastointilaitteisiin ja lämpöpumpuihin:

tímto na vlastní odpovědnost prohlašuje, že níže popsané klimatizační jednotky a tepelná čerpadla pro použití v obytných prostředích, komerčních prostředích a prostředích lehkého průmyslu:

týmto na svoju výlučnú zodpovednosť vyhlasuje, že nasledovné klimatizačné jednotky a tepelné čerpadlá určené na používanie v obytných a obchodných priestoroch a v prostredí ľahkého priemyslu:

alulírott kizárólagos felelősségére nyilatkozik, hogy az alábbi lakossági, kereskedelmi és kisipari környezetben való használatra szánt klímaberendezés(ek) és hőszivattyú(k):

na lastno odgovornost izjavlja, da so spodaj opisane klimatske naprave in toplotne črpalke, namenjene za uporabo v stanovanjskih, poslovnih in lahkoindustrijskih okoljih:

declară prin prezenta, pe proprie răspundere, faptul că aparatele de climatizare și pompele de căldură descrise mai jos și destinate utilizării în medii rezidențiale, comerciale și din industria ușoară:

kinnitab oma ainuvastutustel, et allpool toodud elu-, äri- ja kergtööstuskeskkondades kasutamiseks mõeldud kliimaseadmed ja soojuspumbad:

ar šo, vienpersoniski uzņemoties atbildību, paziņo, ka tālāk aprakstītais(-tie) gaisa kondicionētājs(-i) un siltumsūkņis(-i) ir paredzēti lietošanai dzīvojamajās, komercdarbības un vieglās rūpniecības telpās, kas aprakstītas tālāk:

šiuo vien tik savo atsakomybe pareiškia, kad toliau apibūdintas (-i) oro kondicionierius (-iai) ir šilumos siurblys (-iai), skirtas (-i) naudoti toliau apibūdintose gyvenamosiose, komercinėse ir lengvosios pramonės aplinkose:

ovime izjavljuje pod isključivom odgovornošću da je/su klimatizacijski uređaj(i) i toplinska dizalica(e) opisan(i) u nastavku namijenjen(i) za upotrebu u stambenim i poslovnim okruženjima te okruženjima lake industrije:

ovim izjavljuje na svoju isključivu odgovornost da su klima-uređaji i toplotne pumpe za upotrebu u stambenim, komercijalnim okruženjima i okruženjima lake industrije opisani u nastavku:

**MITSUBISHI ELECTRIC, SUZ-SWM30VA\*, SUZ-SWM40VA\*, SUZ-SWM60VA\*, SUZ-SWM80VA\*, SUZ-SWM100VA\***  
**SUZ-SHWM30VAH\*, SUZ-SHWM40VAH\*, SUZ-SHWM60VAH\*, SUZ-SWM80VAH\*, SUZ-SWM100VAH\***  
**\* : , , 1, 2, 3, , , , 9**

is/are in conformity with provisions of the following Union harmonisation legislation.  
die Bestimmungen der folgenden Harmonisierungsrechtsvorschriften der Union erfüllen/

erfüllen.  
est/sont conforme(s) aux dispositions de la législation d'harmonisation de l'Union

suivante.  
voldoet/voldoen aan bepalingen van de volgende harmonisatiewetgeving van de Unie.

cumple(n) con las disposiciones de la siguiente legislación de armonización de la Unión.

sono in conformità con le disposizioni della seguente normativa dell'Unione sull'armonizzazione.

συμμορφώνονται με τις διατάξεις της ακόλουθης νομοθεσίας εναρμόνισης της Ένωσης.

está/estão em conformidade com as disposições da seguinte legislação de harmonização da União.

er i overensstemmelse med bestemmelse i følgende harmoniserede EU-lovgivning.

uppfyller villkoren i följande harmoniserade föreskrifter inom unionen.

აşağıdaki Avrupa Birliği uyumlaştırma mevzuatının hükümlerine uygundur.

соответствуют положениям следующих законодательных актов Союза о гармонизации.

2014/35/EU: Low Voltage Directive  
2006/42/EC: Machinery Directive  
2014/30/EU: Electromagnetic Compatibility Directive  
2011/65/EU, (EU) 2015/863 and (EU) 2017/2102: RoHS Directive  
2009/125/EC: Energy-related Products Directive and Regulation (EU) No 813/2013

відповідають положенням вказаного далі законодавства Союзу щодо гармонізації.  
е/са в съответствие с разпоредбите на следното законодателство на Съюза за

хармонизация.  
są zgodne z przepisami następującego unijnego prawodawstwa harmonizacyjnego.

er i samsvar med forskriftene til følgende EU-lovgivning om harmonisering.

ovat seuraavan unionin yhdenmukaistamislainsäädännön säännösten mukaisia.

jsou v souladu s ustanoveními následujících harmonizačních právních předpisů Unie.

spĺňajú ustanovenia nasledujúcich harmonizovaných noriem EÚ.

megfelel(nek) az Unió alábbi harmonizációs jogszabályi előírásainak.

in skladu z določbami naslednje usklajevalne zakonodaje Unije.

sunt în conformitate cu dispozițiile următoare legislații de armonizare a Uniunii.

vastavad järgmiste Euroopa Liidu ühtlustatud õigusaktide sätetele.

atbilst šādiem ES harmonizētājiem tiesību aktu noteikumiem.

taip pat atitinka kitų toliau išvardytų suderintųjų Sąjungos direktyvų nuostatas.

sukladan(i) odredbama sljedećeg zakonodavstva Unije za sukladnost.

u skladu sa odredbama sledećeg usklađivanja zakonodavstva Unije.

## <ENGLISH>

English is original. The other languages versions are translation of the original.

### ▲ CAUTION

- Refrigerant leakage may cause suffocation. Provide ventilation in accordance with EN378-1.
- Be sure to wrap insulation around the piping. Direct contact with the bare piping may result in burns or frostbite.
- Never put batteries in your mouth for any reason to avoid accidental ingestion.
- Battery ingestion may cause choking and/or poisoning.
- Install the unit on a rigid structure to prevent excessive operation sound or vibration.
- The A-weighted sound pressure level is below 70dB.
- This appliance is intended to be used by expert or trained users in shops, in light industry and on farms, or for commercial use by lay persons.

## <DEUTSCH>

Das Original ist in Englisch. Die anderen Sprachversionen sind vom Original übersetzt.

### ▲ VORSICHT

- Wenn Kältemittel austritt, kann dies zu Ersticken führen. Sorgen Sie in Übereinstimmung mit EN378-1 für Durchlüftung.
- Die Leitungen müssen isoliert werden. Direkter Kontakt mit nicht isolierten Leitungen kann zu Verbrennungen oder Erfrierungen führen.
- Nehmen Sie niemals Batterien in den Mund, um ein versehentliches Verschlucken zu vermeiden.
- Durch das Verschlucken von Batterien kann es zu Erstickungen und/oder Vergiftungen kommen.
- Installieren Sie das Gerät auf einem stabilen Untergrund, um übermäßige Betriebsgeräusche oder -schwingungen zu vermeiden.
- Der A-gewichtete Schalldruckpegel ist niedriger als 70dB.
- Dieses Gerät ist vorgesehen für die Nutzung durch Fachleute oder geschultes Personal in Werkstätten, in der Leichtindustrie und in landwirtschaftlichen Betrieben oder für die kommerzielle Nutzung durch Laien.

## <FRANÇAIS>

L'anglais est l'original. Les versions fournies dans d'autres langues sont des traductions de l'original.

### ▲ PRECAUTION

- Une fuite de réfrigérant peut entraîner une asphyxie. Fournissez une ventilation adéquate en accord avec la norme EN378-1.
- Assurez-vous que la tuyauterie est enveloppée d'isolant. Un contact direct avec la tuyauterie nue peut entraîner des brûlures ou des engelures.
- Ne mettez jamais des piles dans la bouche pour quelque raison que ce soit pour éviter de les avaler par accident.
- Le fait d'ingérer des piles peut entraîner un étouffement et/ou un empoisonnement.
- Installez l'appareil sur une structure rigide pour prévenir un bruit de fonctionnement et une vibration excessifs.
- Le niveau de pression acoustique pondéré est en dessous de 70 dB.
- Cet appareil est conçu pour un utilisateur expert ou les utilisateurs formés en magasin, dans l'industrie légère et dans l'agriculture ou dans le commerce par le profane.

## <NEDERLANDS>

Het Engels is het origineel. De andere taalversies zijn vertalingen van het origineel.

### ▲ VOORZICHTIG

- Het lekken van koelvoelstof kan verstikking veroorzaken. Zorg voor ventilatie in overeenstemming met EN378-1.
- Isoleer de leidingen met isolatiemateriaal. Direct contact met de onbedekte leidingen kan leiden tot brandwonden of bevriezing.
- Stop nooit batterijen in uw mond om inslikking te voorkomen.
- Het inslikken van batterijen kan verstikking of vergiftiging veroorzaken.
- Installeer het apparaat op een stabiele structuur om overmatig lawaai of trillingen te voorkomen.
- Het niveau van de geluidsdruk ligt onder 70 dB(A).
- Dit apparaat is bedoeld voor gebruik door ervaren of opgeleide gebruikers in werkplaatsen, in de lichte industrie en op boerderijen, of voor commercieel gebruik door leken.

## <ESPAÑOL>

El idioma original del documento es el inglés. Las versiones en los demás idiomas son traducciones del original.

### ▲ CUIDADO

- Las pérdidas de refrigerante pueden causar asfixia. Se debe proporcionar la ventilación determinada en EN378-1.
- Asegúrese de colocar el aislante alrededor de las tuberías. El contacto directo con la tubería puede ocasionar quemaduras o congelación.
- Para evitar una ingestión accidental, no coloque las pilas en su boca bajo ningún concepto.
- La ingestión de las pilas puede causar asfixia y/o envenenamiento.
- Coloque la unidad en una estructura rígida para evitar que se produzcan sonidos o vibraciones excesivos debidos a su funcionamiento.
- El nivel de presión acústica ponderado A es inferior a 70 dB.
- Este aparato está destinado a su uso por parte de usuarios expertos o capacitados en talleres, industrias ligeras y granjas, o a su uso comercial por parte de personas no expertas.

## <ITALIANO>

Il testo originale è redatto in lingua Inglese. Le altre versioni linguistiche rappresentano traduzioni dell'originale.

### ▲ ATTENZIONE

- Le perdite di refrigerante possono causare asfissia. Prevedere una ventilazione adeguata in conformità con la norma EN378-1.
- Accertarsi di applicare materiale isolante intorno alle tubature. Il contatto diretto con le tubature non schermate può provocare ustioni o congelamento.
- Non introdurre in nessun caso le batterie in bocca onde evitare ingestioni accidentali.
- L'ingestione delle batterie può provocare soffocamento e/o avvelenamento.
- Installare l'unità su una struttura rigida in modo da evitare rumore o vibrazioni eccessivi durante il funzionamento.
- Il livello di pressione del suono ponderato A è inferiore a 70dB.
- Questa apparecchiatura è destinata all'utilizzo da parte di utenti esperti o addestrati in negozi, industria leggera o fattorie oppure a un uso commerciale da parte di persone non esperte.

## <ΕΛΛΗΝΙΚΑ>

Η γλώσσα του πρωτοτύπου είναι η αγγλική. Οι εκδόσεις άλλων γλωσσών είναι μεταφράσεις του πρωτοτύπου.

### ▲ ΠΡΟΣΟΧΗ

- Η διαρροή του ψυκτικού ενδέχεται να προκαλέσει ασφυξία. Φροντίστε για τον εξαερισμό σύμφωνα με το πρότυπο EN378-1.
- Φροντίστε να τυλίξετε με μονωτικό υλικό τη σωλήνωση. Η απευθείας επαφή με τη γυμνή σωλήνωση ενδέχεται να προκαλέσει εγκαυμάτα ή κρυοπαγήματα.
- Μη βάζετε ποτέ τις μπαταρίες στο στόμα σας για κανένα λόγο ώστε να αποφύγετε την κατά λάθος κατάποσή τους.
- Η κατάποση μπαταριών μπορεί να προκαλέσει πνιγμό ή/και δηλητηρίαση.
- Εγκαταστήστε τη μονάδα σε σταθερή κατασκευή ώστε να αποφύγετε τον έντονο ήχο λειτουργίας ή τους κραδασμούς.
- Η Α-σταθμισμένη στάθμη ηχητικής πίεσης είναι κάτω των 70dB.
- Η Α-σταθμισμένη στάθμη ηχητικής πίεσης είναι κάτω των 70dB.
- Η συσκευή αυτή προορίζεται για χρήση από εμπειρογούς ή εκπαιδευμένους χρήστες σε καταστήματα, στην ελαφριά βιομηχανία και σε αγροκτήματα, ή για εμπορική χρήση από άτομα τα οποία δεν είναι ειδήμονες.

## <PORTUGUÊS>

O idioma original é o inglês. As versões em outros idiomas são traduções do idioma original.

### ▲ CUIDADO

- A fuga de refrigerante pode causar asfixia. Garanta a ventilação em conformidade com a norma EN378-1.
- Certifique-se de que envolve as tubagens com material de isolamento. O contacto directo com tubagens não isoladas pode resultar em queimaduras ou ulcerações provocadas pelo frio.
- Nunca coloque pilhas na boca, por nenhum motivo, para evitar a ingestão accidental.
- A ingestão de uma pilha pode causar obstrução das vias respiratórias e/ou envenenamento.
- Instale a unidade numa estrutura robusta, de forma a evitar ruídos ou vibrações excessivos durante o funcionamento.
- O nível de pressão sonora ponderado A é inferior a 70 dB.
- Este equipamento destina-se a ser utilizado por especialistas ou utilizadores com formação em lojas, na indústria ligeira e em quintas, ou para utilização comercial por leigos.

## <DANSK>

Engels er originalen. De andre sprogversioner er oversættelser af originalen.

### ▲ FORSIGTIG

- Lækage af kølemiddel kan forårsage kvælning. Sørg for udluftning i overensstemmelse med EN378-1.
- Sørg for at pakke rørene ind i isolering. Direkte kontakt med ubeklædte rør kan forårsage forbrændinger eller forfrysninger.
- Batterier må under ingen omstændigheder tages i munden for at forhindre utilsigtet indtagelse.
- Indtagelse af batterier kan forårsage kvælning og/eller forgiftning.
- Installer enheden på en fast struktur for at forhindre for høje driftslyde eller vibrationer.
- Det A-vægtede lydtrykniveau er under 70dB.
- Dette apparat er beregnet til at blive brugt af eksperter eller udlærte brugere i butikker, inden for let industri og på gårde eller til kommerciel anvendelse af lægmænd.

## <SVENSKA>

Engelska är originalspråket. De övriga språkversionerna är översättningar av originalet.

### ▲ FÖRSIKTIGHET

- Köldmedelsläckage kan leda till kvävning. Tillhandahåll ventilation i enlighet med EN378-1.
- Kom ihåg att linda isolering runt rören. Direktkontakt med bara rör kan leda till brännskador eller köldskador.
- Stoppa aldrig batterier i munnen, de kan sväljas av misstag.
- Om ett batteri sväljs kan det leda till kvävning och/eller förgiftning.
- Montera enheten på ett stadigt underlag för att förhindra höga driftljud och vibrationer.
- Den A-vägdade ljudtrycksnivån är under 70dB.
- Denna apparat är ämnad för användning av experter eller utbildade användare i affärer, inom lätt industri och på lanbruk, eller för kommersiell användning av lekmän.

## <TÜRKÇE>

Aslı İngilizce'dir. Diğer dillerdeki sürümler aslının çevirisidir.

### ▲ DİKKAT

- Soğutucu kaçağı boğulmaya neden olabilir. EN378-1 uyarınca uygun havalandırma sağlayın.
- Borular etrafına yalıtım yapıldığından emin olun. Borulara doğrudan çıplak elle dokunulması yanıklara veya soğuk ısırıklarına neden olabilir.
- Kazara yutmamak için, pilleri kesinlikle hiçbir amaçla ağzınızda tutmayın.
- Pillerin yutulması boğulmaya ve/veya zehirlenmeye yol açabilir.
- Aşırı çalıma seslerini veya titreşimi önlemek için, üniteyi sağlam bir yapı üzerine monte edin.
- A ağırıklı ses gücü seviyesi 70dB'nin altındadır.
- Bu cihaz tölöyelerde, hafif endüstriyel tesislerde ve çiftliklerde uzman veya eğitimli kullanıcılar tarafından kullanılmak üzere veya normal kullanıcılar tarafından ticari kullanım için tasarlanmıştır.

## <РУССКИЙ>

Языком оригинала является английский. Версии на других языках являются переводом оригинала.

### ▲ ОСТОРОЖНО

- Утечка хладагента может стать причиной удушья. Обеспечьте вентиляцию в соответствии с EN378-1.
- Обязательно оберните трубы изоляционным материалом. Непосредственный контакт с неизолированным трубопроводом может привести к ожогам или обморожению.
- Запрещается класть элементы питания в рот по каким бы то ни было причинам во избежание случайного проглатывания.
- Попадание элемента питания в пищеварительную систему может стать причиной удушья и/или отравления.
- Устанавливайте устройство на жесткую структуру во избежание чрезмерного шума или чрезмерной вибрации во время работы.
- Уровень звукового давления по шкале A не превышает 70 дБ.
- Данное устройство предназначено для использования специалистами или обученным персоналом в магазинах, на предприятиях легкой промышленности и фермах или для коммерческого применения не-профессионалами.

## <УКРАЇНСЬКА>

Переклад оригіналу. Текст іншими мовами є перекладом оригіналу.

### ▲ ОБЕРЕЖНО

- Виток холодагента може призвести до удушся. Необхідно забезпечити вентиляцію відповідно до стандарту EN 378-1.
- Труби необхідно обмотати ізоляційним матеріалом. Прямий контакт із непокритою трубою може призвести до опіку або обмороження.
- Забороняється класти елементи живлення в рот із будь-яких причин, оскільки є ризик випадково їх проковтнути.
- Попадання елемента живлення в травну систему може стати причиною задхуки та/або отруєння.
- Встановлюйте блок на міцній конструкції, щоб уникнути надмірного рівня звуку роботи або вібрації.
- Рівень амплітудно зваженого акустичного тиску становить нижче 70 дБ.
- Цей прилад призначається для використання спеціалістами або особами, що пройшли відповідне навчання, у кранницях, легкій промисловості та сільськогосподарських підприємствах, а також для комерційного використання неспеціалістами.

## <БЪЛГАРСКИ>

Оригиналът е текстът на английски език. Версиите на други езици са преводи на оригинала.

### ▲ ВНИМАНИЕ

- Изтичането на хладилен агент може да причини задушаване. Осигурете вентилация съобразно с EN378-1.
- Не забравяйте да уветите изолация около тръбите. Директният контакт с оголени тръби може да причини изгаряне или измръзване.
- При никакви обстоятелства не поставяйте батериите в устата си, за да не ги поглънете по невнимание.
- Това може да доведе до задушаване и/или натравяне.
- Монтирайте тялото върху твърда конструкция, за да предотвратите прекомерен шум или вибрации по време на работа.
- А-претегленото ниво на звуково налягане е под 70 dB.
- Този уред е предназначен за използване от експерти или обучени потребители в магазини, в леката промисленост и във ферми, или за търговска употреба от неспециалисти.



Please be sure to put the contact address/telephone number on this manual before handing it to the customer.

**mitsubishi** **ELECTRIC CORPORATION**

HEAD OFFICE: TOKYO BUILDING, 2-7-3, MARUNOUCHI, CHIYODA-KU, TOKYO 100-8310, JAPAN

# Air to Water Heat Pump SUZ-SWM·VA(H) series SUZ-SHWM·VAH series

INSTALLATION MANUAL	FOR INSTALLER	English
INSTALLATIONSHANDBUCH	FÜR INSTALLATEURE	Deutsch
MANUEL D'INSTALLATION	POUR L'INSTALLATEUR	Français
INSTALLATIEHANDLEIDING	VOOR DE INSTALLATEUR	Nederlands
MANUAL DE INSTALACIÓN	PARA EL INSTALADOR	Español
MANUALE DI INSTALLAZIONE	PER L'INSTALLATORE	Italiano
ΕΓΧΕΙΡΙΔΙΟ ΟΔΗΓΙΩΝ ΕΓΚΑΤΑΣΤΑΣΗΣ	ΓΙΑ ΑΥΤΟΝ ΠΟΥ ΚΑΝΕΙ ΤΗΝ ΕΓΚΑΤΑΣΤΑΣΗ	Ελληνικά
MANUAL DE INSTALAÇÃO	PARA O INSTALADOR	Português
INSTALLATIONSMANUAL	TIL INSTALLATØREN	Dansk
INSTALLATIONSMANUAL	FÖR INSTALLATÖREN	Svenska
MONTAJ ELKİTABI	MONTÖR İÇİN	Türkçe
РУКОВОДСТВО ПО УСТАНОВКЕ	ДЛЯ УСТАНОВИТЕЛЯ	Русский
ПОСІБНИК З УСТАНОВЛЕННЯ	ДЛЯ СПЕЦІАЛІСТА З МОНТАЖУ	Українська
РЪКОВОДСТВО ЗА МОНТАЖ	ЗА МОНТАЖНИКА	Български
INSTRUKCJA MONTAŻU	DLA INSTALATORA	Polski
INSTALLASJONSHÅNDBOK	FOR MONTØR	Norsk
ASENNUSOPAS	ASENTAJALLE	Suomi
INSTALAČNÍ PŘÍRUČKA	PRO MONTÁŽNÍ PRACOVNÍKY	Čeština
NÁVOD NA INŠTALÁCIU	PRE MONTÉRA	Slovenčina
TELEPÍTÉSI KÉZIKÖNYV	A TELEPÍTŐ RÉSZÉRE	Magyar
NAMESTITVENI PRIROČNIK	ZA MONTERJA	Slovenščina
MANUAL DE INSTALARE	PENTRU INSTALATOR	Română
PAIGALDUSJUHEND	PAIGALDAJALE	Eesti
MONTĀŽAS ROKASGRĀMATA	UZSTĀDĪŠANAS SPECIĀLISTAM	Latviski
MONTAVIMO VADOVAS	SKIRTA MONTUOTOJUI	Lietuviškai
PRIRUČNIK ZA POSTAVLJANJE	ZA INSTALATERA	Hrvatski
UPUTSTVO ZA UGRADNJU	ZA MONTERA	Srpski



1. Güvenlik Önlemleri	1	6. Elektrikle ilgili çalışma	9
2. Tesis edilecek bölgenin seçimi	3	7. Bakım	10
3. Montaj şeması	5	8. Su tesisatı İşleri	11
4. Dış ünite drenaj borusu	5	9. Aşağı pompalama	13
5. Soğutma borusu çalışması	6	10. Spesifikasyonlar	14

## ⚠ DİKKAT:

- R32'yi Atmosfere bırakmayın.

## 1. Güvenlik Önlemleri

- ▶ Üniteyi monte etmeden önce "Güvenlik Önlemleri"nin hepsini okumalısınız.
- ▶ Lütfen sisteme bağlamadan önce elektrik kurumuna haber verin veya onayını alın.

## ⚠ UYARI:

Kullanıcı açısından yaralanma veya ölüm tehlikesinin önüne geçmek için alınması gereken önlemleri açıkla.

## ⚠ DİKKAT:

Cihazın hasar görmesini önlemek için alınması gereken önlemleri açıkla.

Montaj tamamlandıktan sonra, Kullanma Kılavuzunda yer alan bilgilere uygun şekilde müşteriye cihazın "Güvenlik Önlemleri" ni, kullanımını ve bakımını açıklayın ve cihazın normal şekilde çalıştığından emin olmak için bir çalışma testi yapın. Hem Montaj Kılavuzu hem de Kullanım Kılavuzu, kullanıcıda kalmak üzere kendisine verilmelidir. Bu kılavuzlar sonraki kullanıcılara da devredilmelidir.





⚠ : Topraklanması gereken parçaları gösterir.

## ⚠ UYARI:

Ana üniteye yapıştırılmış olan etiketleri dikkatle okuyunuz.

Ⓞ : R32 soğutucu madde kullanımı ile ilgili uyarı ve ikazları gösterir.

## İÇ VE DIŞ ÜNİTE ÜZERİNDE KULLANILAN SEMBOLLERİN ANLAMLARI

	<b>UYARI</b> (Yangın tehlikesi)	Bu işaret sadece R32 soğutucu madde içindir. Soğutucu madde türü dış ünitenin bilgi plakasının üzerinde yazılıdır. Soğutucu madde R32 ise bu üniteye alevlenebilir bir soğutucu madde kullanılıyor demektir. Soğutucu madde sızarak ateş veya sıcak parçalarla temas ederse zararlı gazlar ortaya çıkar ve yangın tehlikesi oluşur.
		Çalıştırmaya başlamadan önce ÇALIŞTIRMA KILAVUZU dokümanını dikkatlice okuyun.
		Servis personelinin çalışma öncesinde ÇALIŞTIRMA KILAVUZU ve MONTAJ KILAVUZU dokümanlarını okuması zorunludur.
		Daha fazla bilgi ÇALIŞTIRMA KILAVUZU, MONTAJ KILAVUZU ve benzeri dokümanlarda bulunabilir.

## ⚠ UYARI:

- Cihaz kullanıcı tarafından monte edilmemelidir. Ünitenin montaj ve onarım işleri bir bayi veya yetkili teknisyen tarafından yapılmalıdır. Cihazın montajı yanlış yapıldığı takdirde, su kaçağı, elektrik çarpması veya yangın meydana gelebilir.
- Montaj ve yer değiştirme işleri için Montaj Kılavuzundaki talimatları izleyin ve sadece R32 soğutucu madde ile kullanılmak üzere üretilmiş aletleri ve boru bileşenlerini kullanın. R32 soğutucu için tasarlanmamış boru elemanları kullanıldığı ve cihaz doğru şekilde monte edilmediği takdirde, borular patlayabilir ve hasara veya yaralanmalara yol açabilir. Ayrıca, su kaçağı, elektrik çarpması veya yangın da meydana gelebilir.
- Deprem, fırtına veya şiddetli rüzgardan zarar görme riskini en aza indirmek için, cihaz talimatlara uygun olarak monte edilmelidir. Yanlış monte edilmiş bir cihaz düşebilir ve hasara veya yaralanmalara yol açabilir.
- Cihaz, ağırlığını taşıyabilecek bir yapı üzerine emniyetli şekilde monte edilmelidir. Cihaz dengesiz bir yapı üzerine monte edildiği takdirde, düşebilir ve hasara veya yaralanmalara yol açabilir.
- Havadan suya ısı pompası küçük bir odaya monte edilirse soğutucu sızıntısı durumunda odadaki soğutucu konsantrasyonunun güvenlik limitini geçmesi için önlemler alınmalıdır. İzin verilen konsantrasyonun aşılması için alınacak tedbirler konusunda satıcıya danışın. Soğutucu kaçağı olması ve konsantrasyon sınırının aşılması durumunda, oda içinde oluşacak oksijen azlığı nedeniyle tehlikeli durumlara yol açılabilir.
- Kullanım sırasında soğutucu kaçağı meydana gelirse, odayı havalandırın. Soğutucunun alevle temas etmesi durumunda zehirli gazlar oluşabilir.

- Bütün elektrik işleri ruhsatlı teknisyenler tarafından, yerel yönetmeliklere ve bu kılavuzda verilen talimatlara uygun şekilde yapılmalıdır. Cihazlar kendilerine ayrılmış elektrik hatlarına bağlanmalı ve doğru voltaj ve devre kesiciler kullanılmalıdır. Yetersiz kapasiteye sahip elektrik tesisatı ve elektrik işlerinin yanlış yapılması elektrik çarpmasına veya yangına neden olabilir.
- Soğutucu borularını bağlarken, bakır ve bakır alaşımli kaynaklı borular için C1220 bakır fosfor kullanın. Borular düzgün şekilde bağlanmadığı takdirde, cihaz doğru şekilde topraklanmayacak ve elektrik çarpması riski doğacaktır.
- Bu cihaz uzman ya da mağazalarda, hafif sanayi ve çiftliklerdeki eğitimli kullanıcılar tarafından ya da belirli bir meslekten olmayan kişiler tarafından kullanıma yöneliktir.
- Kablo için sadece belirtilen kabloları kullanın. Kablo bağlantıları, terminal bağlantılarında hiç gerilim uygulanmadan güvenli yapılmalıdır. Ayrıca kablo için kabloları hiçbir zaman birbirine bağlamayın (tersi bu belgede belirtilmedikçe). Bu talimatlara uyulmaması aşırı ısınmaya ya da yangına neden olabilir.
- Elektrik kablosu hasar görmüşse, olası tehlikelerin önlenmesi için mutlaka üretici, yetkili servis veya benzer şekilde yetkili kişiler tarafından değiştirilmelidir.
- Cihaz mutlaka ulusal kablo bağlantı yönetmeliklerine uygun şekilde monte edilmelidir.
- Bina dışı ünitenin terminal blok kapağı paneli sıkıca tutturulmalıdır. Kapak paneli yanlış yerleştirilirse ve üniteye toz ve nem girerse, elektrik şoku oluşabilir veya yangın çıkabilir.

# 1. Güvenlik Önlemleri

- Havadan suya ısı pompasının montajını yaparken, yerini değiştirirken veya bakımını yaparken soğutucu hatlarını doldurmak için yalnızca belirtilen soğutucuyu (R32) kullanın. Bu soğutucuyu diğer soğutucularla karıştırmayın ve hatlarda hava kalmamasını sağlayın. Havanın soğutucuyla karışması, soğutucu hattında anormal bir basınç oluşmasına neden olabilir ve bu da patlamaya veya diğer tehlikelerin ortaya çıkmasına neden olabilir. Sistem için belirtilenden farklı bir soğutucunun kullanılması mekanik arızaya, sistemin bozulmasına veya ünitenin arızalanmasına neden olabilir. Bu durum, en kötü ihtimalde ürün güvenliğinin sağlanması açısından bir engel ortaya çıkarabilir.
- Bunların monte edilmesi sırasında yalnızca Mitsubishi Electric tarafından izin verilen aksesuarları kullanın veya satıcı veya yetkili teknisyene danışın. Aksesuarların montajı yanlış yapıldığı takdirde, su kaçağı, elektrik çarpması veya yangın meydana gelebilir.
- Ünitede değişiklik yapmayın. Yangına, elektrik çarpmasına, yaralanmaya veya su sızıntısına neden olabilir.
- Kullanıcı asla cihazı tamir etmeye veya başka bir yere taşımaya kalkışmamalıdır. Cihazın montajı yanlış yapıldığı takdirde, su kaçağı, elektrik çarpması veya yangın meydana gelebilir. Havadan suya ısı pompasının onarılması veya taşınması gerekiyorsa bir bayiye ya da yetkili teknisyene başvurun.
- Soğutucu devresinde bir sızıntı varsa kompresör ile tahliye pompalaması YAPMAYIN.
- Soğutucu gazı pompalarken, soğutucu borularını sökmeden önce kompresörü durdurun. Hava vb. maddelerin içine girmesi durumunda kompresör patlayabilir.
- Montaj tamamlandıktan sonra, soğutucu kaçağı olup olmadığını kontrol edin. Soğutucunun odaya sızması ve herhangi bir ısıtıcının alevi veya portatif bir yemek pişirme aracının etki alanıyla temas etmesi halinde zehirli gazlar oluşabilir.

- Üreticinin tavsiyeleri dışında buz çözme işlemi veya temizleme sürecini hızlandıracak yöntemler kullanmayın.
- Bu cihaz sürekli çalışan ateşleme kaynaklarının (örneğin: açık alev, gazla çalışan bir cihaz veya elektrikli ısıtıcı) olmadığı bir odada saklanmalıdır.
- Delmeyin veya yakmayın.
- Soğutucu maddelerin her zaman belirgin bir kokuya sahip olmayacağını unutmayın.
- ⊙ Boru tesisatı fiziksel hasara karşı korunmalıdır.
- ⊙ Boru tesisatı kurulumu asgaride tutulmalıdır.
- ⊙ Ulusal gaz yönetmeliklerine uyulmalıdır.
- ⊙ Gerekli havalandırma açıklıklarının önünde engel bulunmamalıdır.
- ⊙ Soğutucu madde borularını lehimlemek gerektiğinde düşük sıcaklıklı lehim alaşımı kullanmayın.
- ⊙ Lehimleme işlemini yaparken odayı yeterince havalandırdığınızdan emin olun. Cıvarda tehlikeli ya da yanıcı maddeler olmadığından emin olun. İş kapalı bir oda, küçük bir oda ya da benzer bir yerde yapıyorsanız, işe başlamadan önce soğutucu madde sızıntısı olmadığını kontrol edin. Soğutucu madde sızır ve birikirse alev alabilir ya da zehirli gazlar salınabilir.
- ⊙ Cihaz, çalıştırılması için belirtilen oda alanına karşılık gelen ve iyi havalandırılan bir alanda saklanmalıdır.
- ⊙ Gaz yakarak çalışan cihazları, elektrikli ısıtıcıları ve diğer olası yangın kaynaklarını (alev alma kaynakları), montaj, onarım ve havadan suya ısı pompasındaki diğer işlerin yapılacağı yerlerden uzak tutun. Soğutucu madde alev ile temas ederse, zehirli gazlar ortaya çıkar.
- ⊙ Çalışma ve taşıma sırasında sigara içmeyin.
- ⊙ Her bir dış üniteye maksimum miktardan daha fazla soğutucu madde eklemeyin. Soğutucu maddenin maksimum miktarının aşılması soğutucu madde kaçağı olduğunda yangına neden olabilir.

## 1.1. Montajdan önce

### ⚠ DİKKAT:

- Cihazı alışılmadık ortamlarda kullanmayın. Havadan suya ısı pompası buhar, uçucu yağ (makine yağı dahil) veya sülfürik gazın olduğu, deniz kenarı gibi yüksek tuz içeriğinin bulunduğu ya da ünitenin kar ile kaplanma ihtimalinin olduğu alanlara monte edilirse performans ciddi şekilde düşebilir ve iç parçalar hasar görebilir.
- Cihazı yanıcı gazların oluşabileceği, sızabileceği, akabileceği veya birikebileceği yerlere monte etmeyin. Cihazın yakınında yanıcı gazların birikmesi halinde yangın veya patlama meydana gelebilir.

- Dış ünite, ısıtma işlemi sırasında yoğunlaşmaya yol açar. Söz konusu yoğunlaşmanın zarar verme olasılığı varsa, dış ünite etrafında drenaj sağlayın.
- Cihazı hastane veya iletişim ofislerine monte ederken, gürültü ve elektronik parazite karşı hazırlıklı olun. İntvertörler, evdeki cihazlar, yüksek frekanslı tıbbi cihazlar ve kablosuz iletişim cihazları havadan suya ısı pompasının hata vermesi veya bozulmasına neden olabilir. Havadan suya ısı pompası ayrıca tıbbi cihazları etkileyerek tıbbi bakımı zorlaştırabilir ve iletişim cihazlarını etkileyerek ekran görüntü kalitesini bozabilir.

## 1.2. Montajdan önce (yer değiştirme)

### ⚠ DİKKAT:

- Ünitelerin taşınması veya kurulumu sırasında çok dikkatli olunmalıdır. 20 kg veya daha ağır olduğundan, bu cihazı taşımak için iki veya daha fazla kişi gerekir. Ambalaj bantlarından tutmayın. Üniteyi paketinden çıkarırken ve taşıırken koruyucu eldiven giyilmelidir; aksi takdirde kanatlar veya diğer parçaların kenarları ellerinizde yaralanmaya neden olabilir.
- Ambalaj maddelerinin güvenli şekilde atıldığından emin olun. Çivi veya başka metal veya tahta parçalar gibi ambalaj maddeleri batma veya başka şekillerde yaralanmalara yol açabilir.

- Dış ünitenin tabanı ve takılı parçalar gevşeme, çatlama ve diğer aksaklıklara karşı belirli aralıklarla kontrol edilmelidir. Bu gibi aksaklıklar düzeltilmeden bırakılırsa, cihaz düşebilir ve hasara veya yaralanmalara yol açabilir.
- Havadan suya ısı pompası ünitesini suyla temizlemeyin. Elektrik çarpması meydana gelebilir.
- Tork anahtarı kullanarak, bütün geçme somunları belirtilen değere kadar sıkın. Fazla sıkıldığı takdirde, geçme somun bir süre sonra kırılabilir ve soğutucu kaçağı meydana gelebilir.

## 1.3. Elektrik işlerinden önce

### ⚠ DİKKAT:

- Devre kesicilerini taktığınızdan emin olun. Bunlar takılmadığı takdirde, elektrik çarpması meydana gelebilir.
- Elektrik tesisatında, yeterli kapasiteye sahip standart kablolar kullanın. Aksi takdirde, kısa devre, aşırı ısınma veya yangın meydana gelebilir.
- Elektrik tesisatını kurarken kabloları germeyin. Kablolar gevşedikleri takdirde kopabilir veya kırılabilir ve bunun sonucunda da aşırı ısınma veya yangına yol açabilir.

- Cihazın topraklandığından emin olun. Toprak hattını gaz veya su borularına, paratonerlere veya telefon toprak hatlarına bağlamayın. Cihaz doğru şekilde topraklanmadığı takdirde, elektrik çarpması meydana gelebilir.
- Belirtilen kapasiteye sahip devre kesicileri (toprak arıza kesici, izolasyon anahtarı (+B sigortası) ve kalıplı devre kesici) kullanın. Devre kesicinin kapasitesi belirtilenden fazla olduğu takdirde, arıza veya yangın meydana gelebilir.

## 1. Güvenlik Önlemleri

### 1.4. Çalışma testinden önce

#### ⚠ DİKKAT:

- Cihazı çalıştırmadan en az 12 saat önce ana elektrik şalterini açın. Ana elektrik şalterini açtıktan hemen sonra cihazı çalıştırmak iç parçaların ciddi hasar görmesine yol açabilir. Cihazın çalıştırılacağı mevsim boyunca ana elektrik şalterini açık bırakın.
- Çalıştırmaya başlamadan önce, bütün panellerin, muhafazaların ve diğer koruyucu parçaların doğru şekilde takılmış olduklarından emin olun. Dönen, sıcak veya yüksek voltajlı parçalar yaralanmalara yol açabilir.

- Hiçbir düğmeye ıslak elle dokunmayın. Elektrik çarpması meydana gelebilir.
- Çalışma sırasında soğutucu borularına çıplak elle dokunmayın. Soğutucu boruları, akmakta olan soğutucunun durumuna göre soğuk veya sıcak olabilir. Borulara dokunulduğu takdirde yanma veya soğuk ısırmaya meydana gelebilir.
- Klimayı durdurduktan sonra, ana şalteri kapatmadan önce en az beş dakika bekleyin. Aksi takdirde, su kaçağı veya arıza meydana gelebilir.

### 1.5. Havadan suya ısı pompası için R32 soğutucu madde kullanma

#### ⚠ DİKKAT:

- Soğutucu borularını bağlarken, bakır ve bakır alaşımli kaynaksız borular için C1220 bakır fosfor kullanın. Boruların iç yüzeylerinin temiz ve kükürtlü bileşikler, oksidantlar, moloz veya toz gibi zararlı maddelerden arınmış olduğundan emin olun. Belirtilmiş kalınlıkta borular kullanın. (4.1. 'e bakın) Önceden R22 soğutucusu taşımış olan mevcut boruları yeniden kullanırken şunlara dikkat edin:
  - Mevcut geçme somunları değiştirin ve kıvrımlı bölümleri tekrar geçirin.
  - İnce boru kullanmayın. (4.1. 'e bakın)
- Montajda kullanılacak olan boruları kapalı yerde saklayın ve boruların her iki ucunu da kaynak işleminden hemen öncesine kadar kapalı tutun. (Dirsek bağlantıları, vb.'yi ambalajlarında tutun.) Soğutucu hatlarına toz, moloz veya nem girdiği takdirde, yağ bozulabilir veya kompresör arızalanabilir.
- Geçmeli bölümlere uygulanacak soğutucu yağı olarak ester yağı, eter yağı, alkilbenzen yağı (az miktarda) kullanın. Soğutma yağına mineral yağ karışırsa, yağ bozulabilir.

- Servis işlemi sadece üreticinin tavsiye ettiği şekilde yapılmalıdır.
- R32 soğutucusundan başka bir soğutucu kullanmayın. başka bir soğutucu kullanıldığı takdirde, klor yağın bozulmasına neden olacaktır.
- R32 soğutucu ile birlikte kullanılmak için özel olarak tasarlanmış aşağıdaki gereçleri kullanın: R32 soğutucuyu kullanmak için şu gereçler gereklidir: Herhangi bir sorunuz olduğu takdirde en yakın satıcıyla görüşün.

Gereçler (R32 için)	
Geyç manifoldu	Geçme aleti
Doldurma hortumu	Ebat ayarlama geyçi
Gaz sızıntı detektörü	Vakum pompa adaptörü
Tork anahtarı	Elektronik soğutucu dolum tartısı

- Doğru gereçleri kullandığınızdan emin olun. Soğutucu hatlarına toz, moloz veya nem girdiği takdirde, soğutma yağı bozulabilir.

## 2. Tesis edilecek bölgenin seçimi

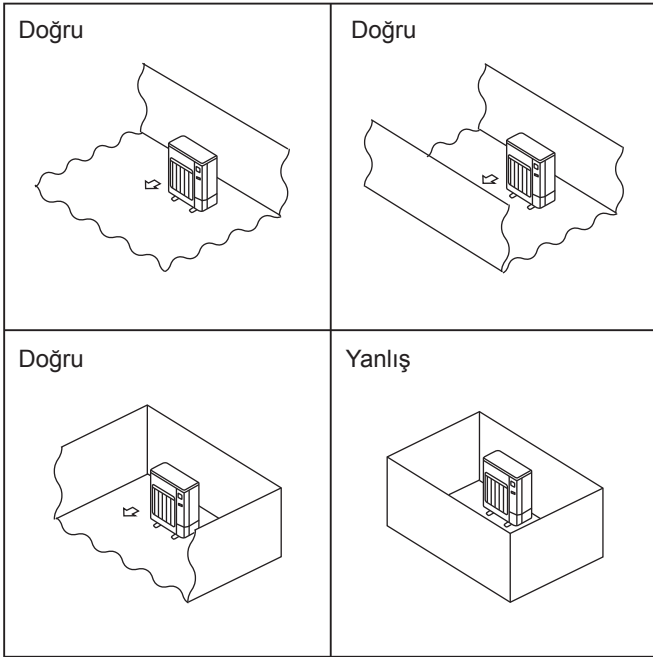


Fig. 2-1

### 2.1. Dış ünite

- R32 havadan (ve de diğer soğutucu maddelerden) daha ağırdır, bu nedenle tabana çökme eğilimi gösterir (zemin bölgesinde). Eğer R32 tabanda birikirse, odanın küçük olması durumunda alev alabilecek konsantrasyona ulaşabilir. Alev almasını önlemek için, doğru havalandırma yaparak güvenli bir çalışma ortamı oluşturmak zorunludur. Yetersiz havalandırmanın olduğu bir odada veya alanda soğutucu madde sızıntısı olduğu doğrulanırsa, iş ortamı doğru şekilde havalandırılıp iyileştirilinceye kadar alev ile çalışmaktan kaçının.
- Şiddetli rüzgarlara açık olmayan yerler.
- Tozdan arınmış temiz hava alan yerler.
- Hava kısa döngüsüne neden olmadığı yerler.
- Dış ünite çalışırken çıkacak olan ses ve ısıdan çevrenin rahatsız olmayacağı yerler.
- Ses ve titreşim artışını önlemek için sağlam duvarlar veya desteklerin olduğu yerler.
- Gaz sızıntısı riski olmayan yerler.
- Üniteyi yüksek yerlere tesis ederken ünitenin ayaklarını taktığınızdan emin olun.
- TV cihazı veya radyo anteninden en az 3 m uzakta bulunacağı bir yer. (Aksi halde, resim bozulabilir veya ses oluşabilir.)
- Lütfen kar yağışı ve kar fırtınasından etkilenmeyeceği bir yere kurun. Yoğun kar yağışı olan yerlerde, lütfen tente, kaide ve/veya bazı kontrol kartları yerleştirin.
- Üniteyi yatay olarak tesis edin.
- Soğutucu madde borularının bağlantıları bakım amacıyla erişilebilir olmalıdır.
- Dış üniteleri, dört yanından en az bir tanesi açık olan ve çukurlar olmayan yeterince geniş bir alana yerleştirin. (Fig. 2-1)

#### ⚠ DİKKAT:

Havadan suya ısı pompası, aşağıda belirtilen sorun çıkarabilecek yerlere yerleştirmekten kaçının.

- Makine yağlarının çok bulunduğu yerler.
- Deniz kıyısı gibi tuzlu yerler.
- Kaplıca alanları.
- Sülfid gazlarının bulunduğu yerler.
- Diğer özel hava şartlarının bulunduğu yerler.

Dış mekan ünitesi ısıtma işlemi sırasında nem üretir. Dış mekan ünitesinin ve/veya toprak bağlantılarının drenaj suyu ya da drenaj suyunun donması nedeniyle zarar görmeyeceği bir yeri, kurulum yeri olarak seçin.

## 2. Tesis edilecek bölgenin seçimi

### 2.2. Minimum montaj alanı

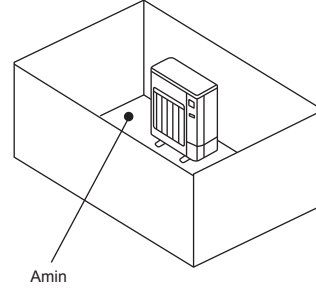
Bir üniteyi dört tarafı kapalı olan veya çukurların bulunduğu bir alana monte etmek zaruriyse, şu koşullardan (A, B veya C) birinin karşılandığından emin olun.

**Not: Bu önlemler güvenliğin sağlanması içindir, spesifikasyonunun garanti edilmesi için değildir.**

A) Montaj alanının yeterli olmasını sağlayın (minimum montaj alanı Amin).

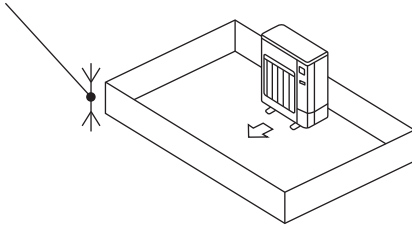
Ekipmanın montajını, soğutucu madde miktarı M'ye (fabrika dolumu soğutucu madde + yerel olarak eklenen soğutucu madde) karşılık gelecek şekilde Amin değerine eşit veya daha geniş bir alana yapın.

M [kg]	Amin [m <sup>2</sup> ]
1,0	12
1,5	17
2,0	23
2,5	28
3,0	34
3,5	39
4,0	45
4,5	50
5,0	56
5,5	62
6,0	67
6,5	73
7,0	78
7,5	84

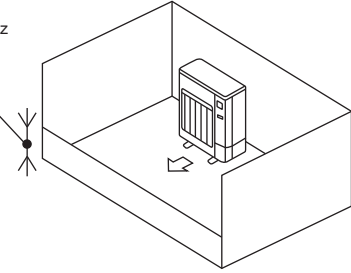


B) Çukur yüksekliğinin  $\leq 0,125$  [m] olduğu bir alana montaj yapın.

Tabandan yükseklik  
0,125 [m] veya daha az



Tabandan yükseklik  
0,125 [m] veya daha az

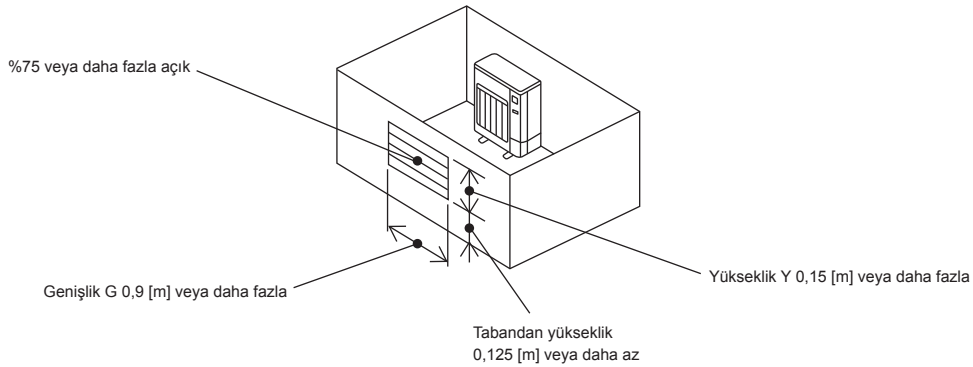


C) Havalandırma yapmak için uygun bir açık alan oluşturun.

Açık alanın genişliği 0,9 [m] veya daha fazla ve yüksekliği 0,15 [m] veya daha fazla olmalıdır.

Ancak, montaj alanının tabanından, açık alanın alt kenarına kadar olan yükseklik 0,125 [m] veya daha az olmalıdır.

Açık alanın %75'i veya daha fazlası açık olmalıdır.



**Not: İç ünite için R32 soğutucu madde kullanımından kaynaklanan bir montaj kısıtlaması yoktur.**

Lütfen iç ünite kurulum kılavuzuna bakın ve gerekli montaj alanını kontrol edin.

### 3. Montaj şeması

#### 3.1. Dış ünite (Fig. 3-1)

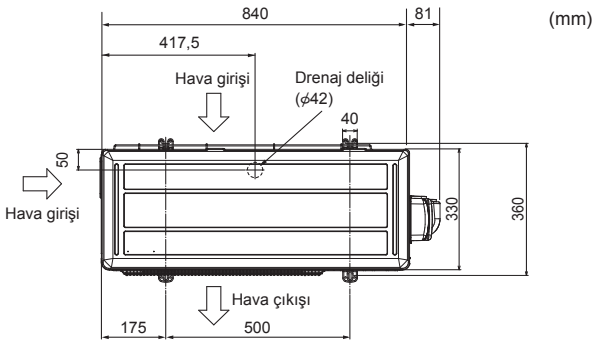
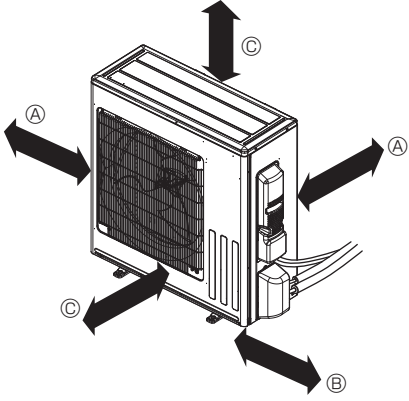
##### Havalandırma ve servis alanı

- Ⓐ 100 mm veya daha fazla
- Ⓑ 350 mm veya daha fazla
- Ⓒ 500 mm veya daha fazla

Borular metal (teneke kaplamalı) veya metal ağı içeren bir duvara monte edileceği zaman duvarla boruların arasına kimyasal işleminden geçirilmiş 20 mm veya daha fazla kalınlıkta bir ağaç parçası koyun veya boruya 7 – 8 kere vinil izolasyon bandı sarın.

Üniteler yerel yönetmeliklere uygun olarak ruhsatlı müteahhitler tarafından monte edilmelidir.

- SUZ-SWM80VA2, SUZ-SWM80VAH2, SUZ-SWM100VA, SUZ-SWM100VAH, SUZ-SHWM60VAH



##### Not:

Havadan suya ısı pompasını dışarıda hava sıcaklığı düşükken çalıştırıyorsanız, aşağıda açıklanan talimatlara uyduğunuzdan emin olun.

- Dış üniteyi kesinlikle hava giriş/çıkış tarafı doğrudan rüzgar alabilecek bir yerde kurmayın.
- Dış üniteyi, rüzgar almasını önlemek için hava giriş tarafı duvara gelecek şekilde kurun.
- Rüzgar almasını önlemek için dış ünitenin hava giriş tarafına bir hava levhası takmanız önerilir.

- SUZ-SWM30VA, SUZ-SWM40VA2, SUZ-SWM60VA2, SUZ-SHWM30VAH, SUZ-SHWM40VAH

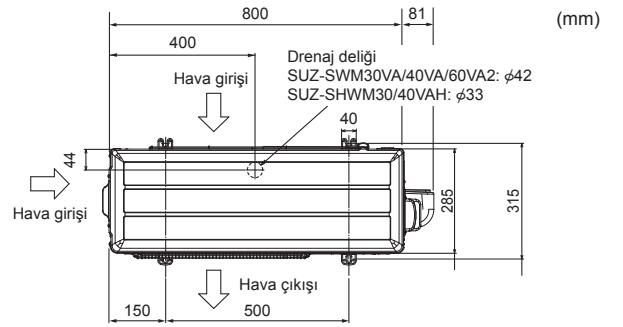
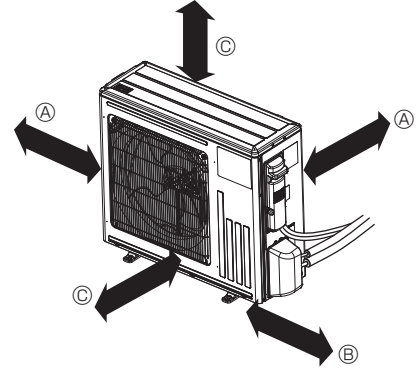


Fig. 3-1

### 4. Dış ünite drenaj borusu (Fig. 4-1)

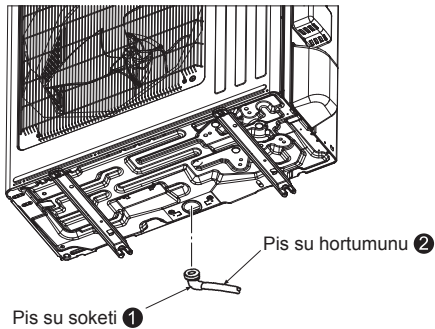


Fig. 4-1

#### 4.1. Aksesuarlar

Montajdan önce aşağıdaki parçaların bulunup bulunmadığını kontrol edin.  
<Dış ünite>

①	Pis su soketi	1
---	---------------	---

- Pis su borusunu iç ve dış boru bağlantılarından önce takın. (İç ve dış boru bağlantılarını pis su borusundan önce yerleştirirseniz, dış ünite sabit hale geleceği için pis su soketini ① takmak zorlaşır.)
- Pis suyu boşaltmak için pis su hortumunu ② (mağazalardan alınabilir, iç çapı: 15 mm) şeklinde gösterildiği gibi bağlayın.
- Pis suyun kolay akması için, pis su borusuna aşağı yönde eğim vererek taktığınızdan emin olun.

##### Not:

Pis su soketini ① soğuk bölgelerde kullanmayın. Pis su donabilir ve fanın durmasına neden olabilir.

SHWM serisine pis su soketi dahil değildir.

## 5. Soğutma borusu çalışması

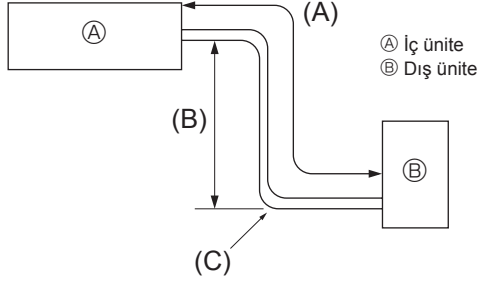


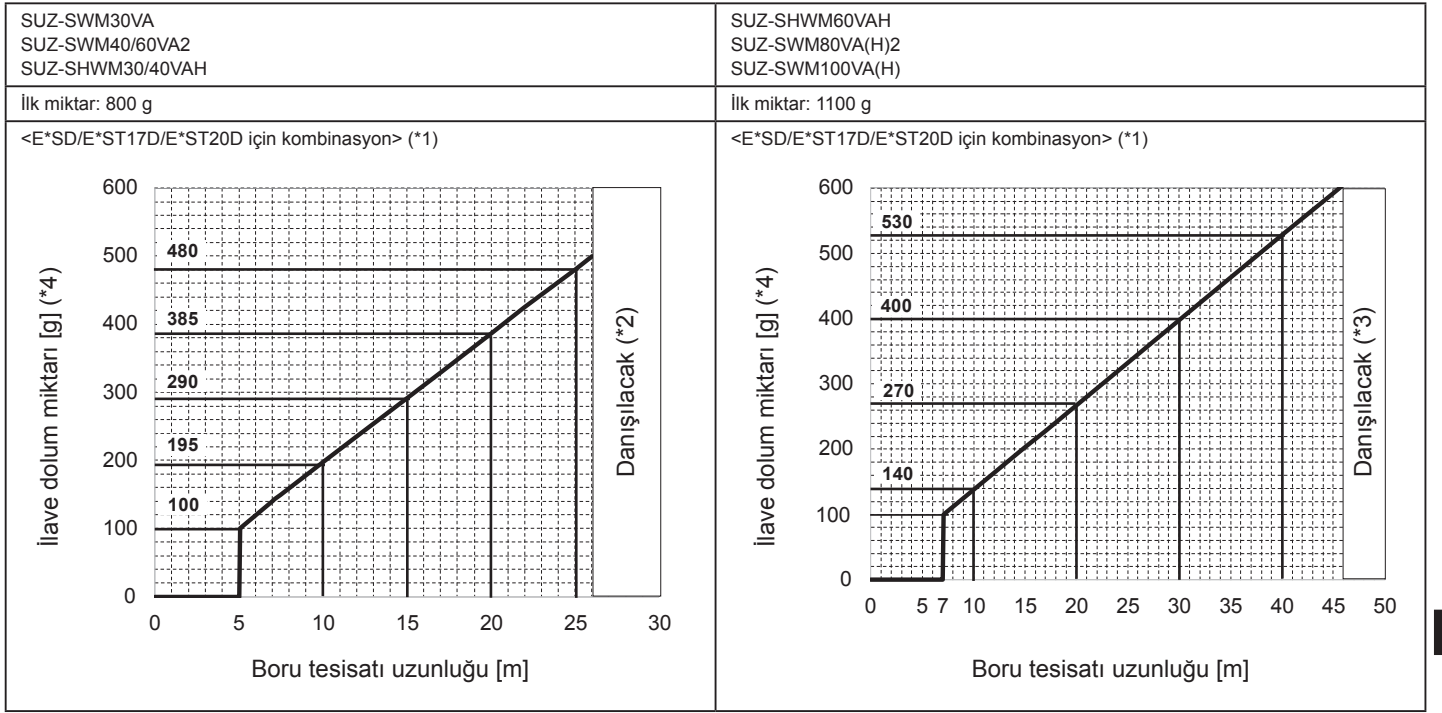
Fig. 5-1

### 5.1. Soğutma borusu (Fig. 5-1)

► İç ve dış ünite yüksekliği arasındaki farkı kontrol edin, soğutma borusu uzunluğu ve borudaki eğimlerin sayısı aşağıda belirtilen sınırlarda olmalıdır.

Modeller	(A) Boru uzunluğu (tek yönden)	(B) Yükseklik farkı	(C) Eğim sayısı (tek yönden)
SUZ-SWM30VA	2 m - 26 m	maks. 26 m	maks. 10
SUZ-SHWM30VAH			
SUZ-SWM40VA2			
SUZ-SHWM40VAH			
SUZ-SWM60VA2	2 m - 46 m	maks. 30 m	
SUZ-SHWM60VAH			
SUZ-SWM80VA(H)2			
SUZ-SWM100VA(H)			

• Yükseklik farkı sınırlamaları iç veya dış ünite olmak üzere hangi ünitenin daha yükseğe yerleştirildiğine bakılmaksızın bağlayıcıdır.



\*1. E\*ST30D'ye bağlanması durumunda, grafiklere göre ilave dolm miktarının üzerine DAİMA 50 g ekleyin.

\*2. 26 m'den uzun boru tesisatı uzunluğu için mutlaka uzmanımıza danışın.

\*3. 46 m'den uzun boru tesisatı uzunluğu için mutlaka uzmanımıza danışın.

\*4. Tam dolm durumunda; İlk + ilave dolm miktarı

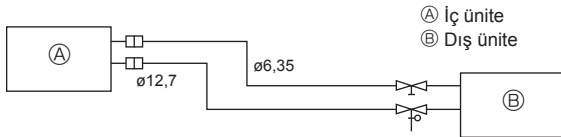


Fig. 5-2

(1) Aşağıdaki tabloda piyasada mevcut olan boruların özellikleri gösterilmektedir. (Fig. 5-2)

Model	Boru	Dış çap		Min. duvar kalınlığı	İzolasyon kalınlığı	İzolasyon malzemesi
		mm	inç			
Tüm modeller	Sıvı için	6,35	1/4	0,8 mm	8 mm	Isıya dayanıklı köpük plastik 0,045 özgül ağırlık
	Gaz için	12,7	1/2	0,8 mm	8 mm	

(2) Yoğunlaşmayı önlemek için 2 soğutma borusunu da iyi şekilde izole edin.

(3) Soğutma borusu bükümü yarıçapı 100 mm veya daha fazla olmalıdır.

### ⚠ DİKKAT:

İzolasyon işlemini belirtilen kalınlıkta yapmaya dikkat edin. Aşırı kalın yapılan izolasyon iç ünitenin yanlış montajına ve aşırı incelik ise çığlenmeye neden olur.

- Alev alma olasılığını önlemek için uygun havalandırmanın sağlandığından emin olun. Ayrıca, civarda tehlikeli veya alevlenebilir nesnelerin bulunmadığından emin olarak yangına karşı önlem alın.
  - R32 bakım amaçlı tekrar doldurma: Ekipmanı R32 ile doldurmak için servis yapmadan önce elektrik kıvılcımı nedeniyle patlama riski bulunmadığından ve ekipmanın şebeke elektriğinden %100 ayrıldığından emin olun.
  - İzolasyon malzemelerinin aşağıdaki özellikleri karşılması gerekir.
    - (1) Isı aktarım oranı: 0,040 W/mK veya daha düşük
    - (2) İzolasyon kalınlığı: 9 mm veya daha fazla
    - (3) Isıya dayanıklılık: 110°C veya daha fazla
- Dıştaki boru uzunluğu 15 m'den fazlaysa izolasyon kalınlığı 18 mm veya daha fazla olmalıdır.

## 5. Soğutma borusu çalışması

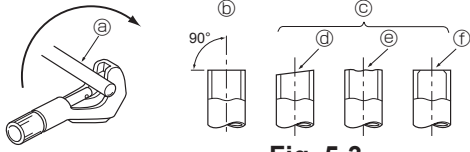


Fig. 5-3

- Ⓐ Bakır borular
- Ⓑ İyi
- Ⓒ İyi değil
- Ⓓ Eğik
- Ⓔ Düz değil
- Ⓕ Pürüzlü

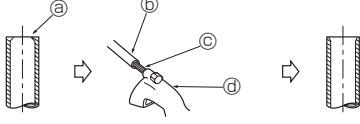


Fig. 5-4

- Ⓐ Pürüz
- Ⓑ Bakır boru
- Ⓒ Boru dişleri
- Ⓓ Boru kesici

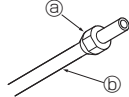


Fig. 5-5

- Ⓐ Geçme somun
- Ⓑ Bakır boru

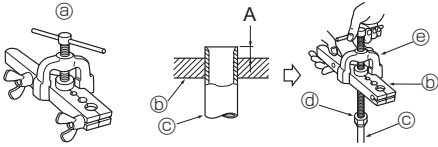


Fig. 5-6

- Ⓐ Diş açma aleti
- Ⓑ Kalıp
- Ⓒ Bakır boru
- Ⓓ Geçme somun
- Ⓔ Boyunduruk

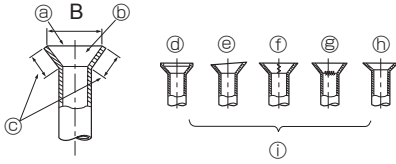


Fig. 5-7

### 5.2. Borularla ilgili çalışmalar

- Gaz sızıntılarının ana sebebi boru bağlantılarında yapılan hatalardır. Hatasız çalışma için prosedürü uygulayın.

#### 5.2.1. Boru kesme (Fig. 5-3)

- Bir boru kesici kullanarak bakır boruyu doğru şekilde kesin.

#### 5.2.2. Pürüzlerin giderilmesi (Fig. 5-4)

- Boru kesitindeki pürüzleri tamamen giderin.
- Pürüzleri giderirken bakır borunun ucunu aşağıya doğru tutun ki kırıntılar borunun içine düşmesin.

#### 5.2.3. Somun takma (Fig. 5-5)

- İç ve dış üniteye takılı bulunan somunları sökün ve pürüzlerden tamamen arınmış boruya geçirin.
- (çalışma tamamlandıktan sonra takmak mümkün değildir)

#### 5.2.4. Diş açma (Fig. 5-6)

- Diş açma işlemini solda gösterildiği gibi diş açma anahtarını kullanarak yapın.

Boru çapı (mm)	Büyüklik	
	A (mm)	B <sup>+0</sup> <sub>-0,4</sub> (mm)
	R32 için olan alet kullanıldığında Kavrama tipi	
6,35	0 - 0,5	9,1
9,52	0 - 0,5	13,2
12,7	0 - 0,5	16,6
15,88	0 - 0,5	19,7

Bakır boruyu yukarıdaki tabloda gösterilen büyüklükteki bir metal kalıbın içinde tutun.

#### 5.2.5. Kontrol (Fig. 5-7)

- Yapılan diş açma işlemini soldaki şekilde gösterilenle karşılaştırın.
- Hata yaptıysanız hatalı kısmı keserek işlemi yeniden yapın.

- Ⓐ Tam kesim düz
- Ⓑ İç kısım pürüzsüz ve parlak
- Ⓒ Her yönde eşit uzunluk
- Ⓓ Çok fazla
- Ⓔ Eğik
- Ⓕ Düzlemde pürüz
- Ⓖ Kırılmış
- Ⓖ Düz değil
- Ⓖ Kötü örnekler

- Borunun oturma yüzeyine ince bir tabaka halinde soğutma yağı sürün. (Fig. 5-8)
- Bağlantı için önce merkezi hizalayın ve sonra somunu 3 veya 4 kez döndürerek sıkıştırın.
- İç ünite yan bağlantı bölümünde somun sıkıştırma işlemi yaparken kılavuz olarak aşağıdaki sıkma torku tablosunu kullanın ve iki anahtar kullanarak sıkın. Fazla sıkıştırma yaparsanız diş bölümüne zarar verirsiniz.

Bakır boru O.D. (mm)	Geçme somunu O.D. (mm)	Sıkma torku (N·m)
ø6,35	17	14 - 18
ø9,52	22	34 - 42
ø12,7	26	49 - 61
ø15,88	29	68 - 82

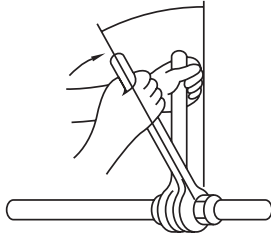


Fig. 5-8

### ⚠ UYARI:

Üniteyi tesis ederken, soğutucu borularını kompresörü çalıştırmadan önce sağlam şekilde bağlayınız.

### ⚠ UYARI:

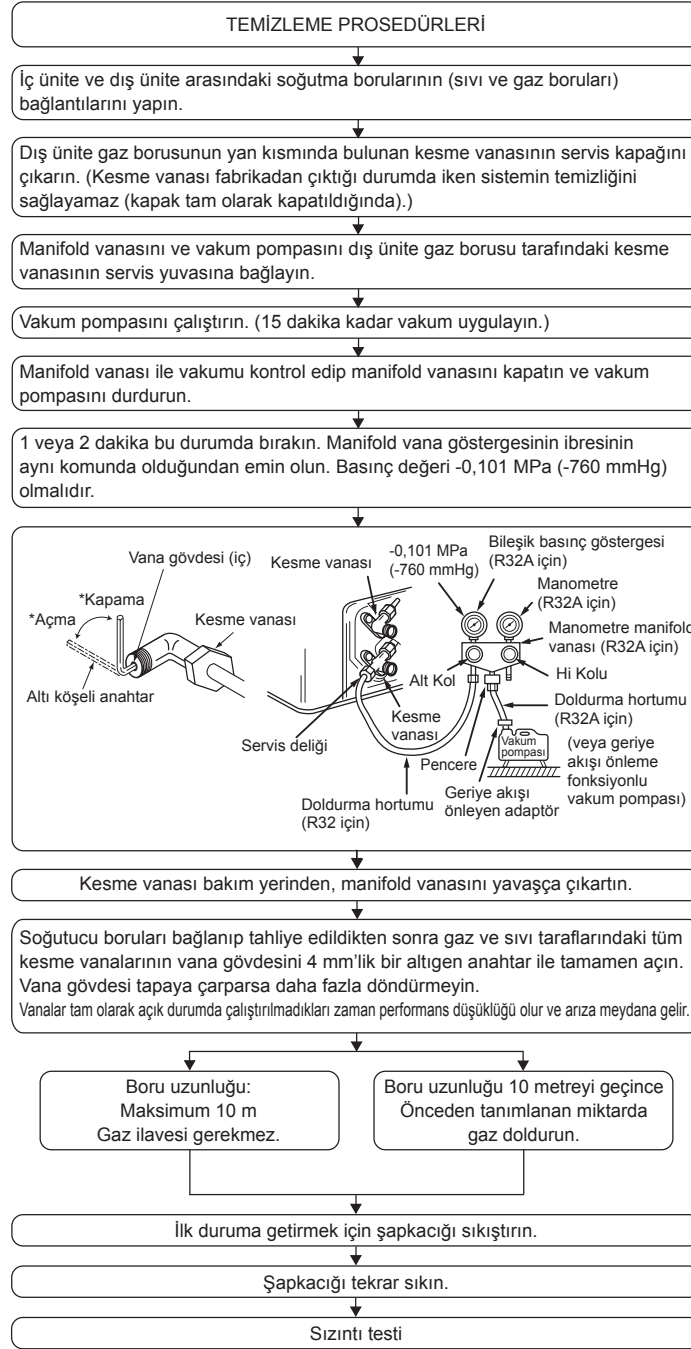
Geçme somununun fırlamasına dikkat edin! (İçeriden basınçlıdır)

Geçme somununu şu şekilde çıkarın:

1. Bir ses duyana kadar somunu gevşetin.
2. Gaz tamamen çıkıncaya (ses kesilir) kadar somunu çıkarmayın.
3. Gazın tamamen çıktığını kontrol edin ve sonra somunu çıkarın.

## 5. Soğutma borusu çalışması

### 5.3. Temizleme prosedürleri sızıntı testi





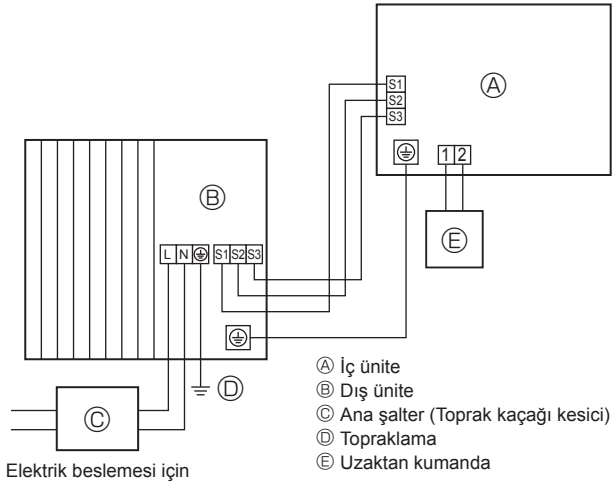
## 6. Elektrikle ilgili çalışma

### 6.1. Dış ünite (Fig. 6-1, Fig. 6-2, Fig. 6-3)

① Servis panelini çıkarın.

② Fig. 6-1, Fig. 6-2 ve Fig. 6-3'e bakarak kabloları döşeyin.

■ SUZ-SHWM60VAH, SUZ-SWM80VA(H)2, SUZ-SWM100VA(H)



■ SUZ-SHWM30/40VAH, SUZ-SWM30VA, SUZ-SWM40/60VA2

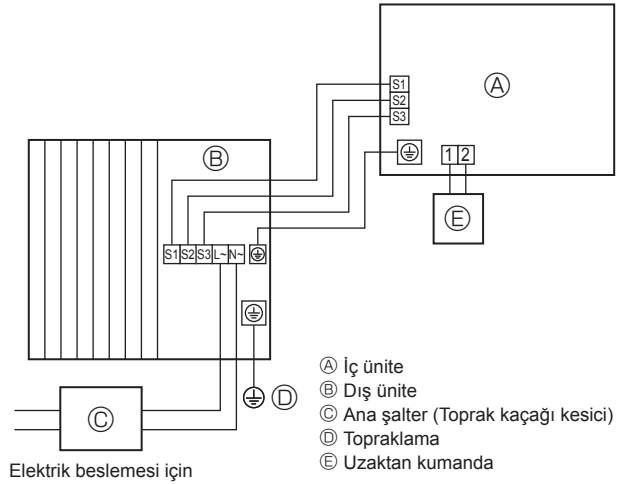
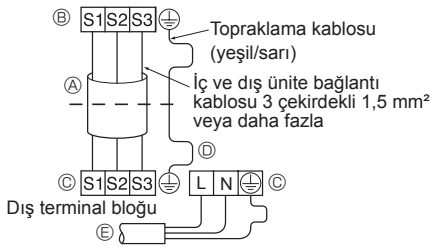


Fig. 6-1

İç terminal bloğu



■ SUZ-SHWM30/40VAH, SUZ-SWM30VA/40VA2/60VA2 için

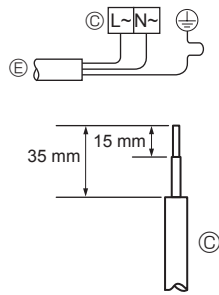
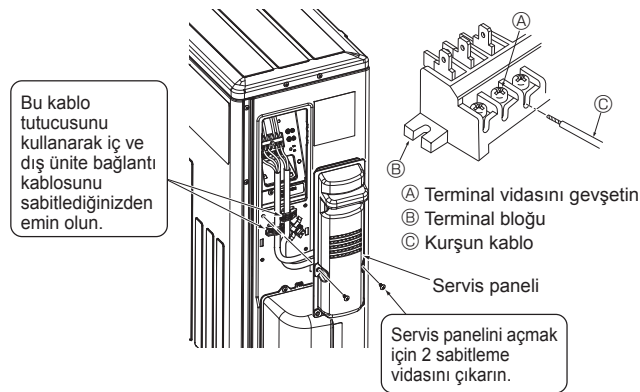


Fig. 6-2

■ SUZ-SWM30VA, SUZ-SWM40VA2, SUZ-SWM60VA2, SUZ-SHWM30VAH, SUZ-SHWM40VAH



■ SUZ-SWM80VA2, SUZ-SWM100VA, SUZ-SWM80VAH2, SUZ-SWM100VAH, SUZ-SHWM60VAH

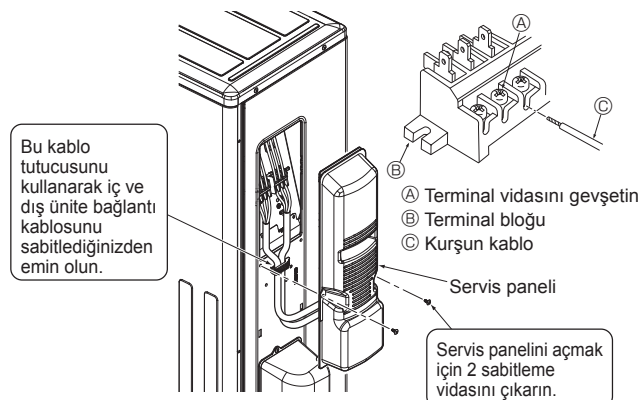


Fig. 6-3

• Kabloları alt sol taraftaki şemada gösterildiği gibi yerleştirin. (Yerel kablo temin edin) (Fig. 6-2)

Sadece doğru kutuplara sahip kabloları kullanın.

- A Bağlantı kablosu
- B İç terminal bloğu
- C Dış terminal bloğu
- D Daima diğer kablolardan daha uzun bir topraklama kablosu monte edin.
- E Elektrik besleme kablosu
- F Kurşun kablo

- Topraklama kablosunu diğerlerinden biraz daha uzun tutun. (100 mm'den fazla)
- İleride yapılacak bakım işleri için bağlantı kablolarını uzun tutun.
- Kabloyu ve teli terminal bloğuna sabitlerken, her vidayı ilgili terminaline bağladığınızdan emin olun.

- İç üniteneden gelen kabloyu doğru şekilde terminal bloğuna bağlayın.
- İç üniteyle aynı terminal bloğunu ve kutupları kullanın.
- Bakım için bağlantı kablosunun uzunluğunu fazla bırakın.

- Bağlantı kablosunun (uzatma kablosu) her iki ucu da soyulmalıdır. Çok uzun olduğunda veya orta kısmın kesilmesiyle bağlandığında, elektrik besleme kablosunu şekilde belirtilen büyüklükte soyun.
- Bağlantı kablosunun borularla temas etmemesine dikkat edin.

### ⚠ DİKKAT:

- Kabloları yanlış bağlamayın.
- Gevşemeyi önlemek için terminal vidalarını iyice sıkın.
- Sıktıktan sonra, hareket edip etmediklerini anlamak için kabloları hafifçe çekin.

### ⚠ UYARI:

- Dış ünitenin servis panelini sıkıca taktığınızdan emin olun. Doğru şekilde takılmazsa, toz ve su nedeniyle yangın veya elektrik çarpmasına yol açabilir.
- Terminal vidalarını iyice sıkın.
- Kablo bağlantıları elektrik hatları gerilmeyecek şekilde yapılmalıdır. Aksi halde, ısı oluşabilir veya yangına neden olabilir.

## 6. Elektrikle ilgili çalışma

### 6.2. Alan elektrik kablosu

Dış ünite modeli	SUZ-SHWM30VAH/40VAH SUZ-SWM30VA/40VA2/60VA2	SUZ-SHWM60VAH SUZ-SWM80VA(H)2/SWM100VA(H)
Dış ünite güç kaynağı	~N (tekli), 50 Hz, 230 V	~N (tekli), 50 Hz, 230 V
Dış ünite giriş kapasitesi Ana şalter (Kesici)	*1 16 A	20 A
Kablo Kablo No. x büyüklük (mm <sup>2</sup> )	Dış ünite güç kaynağı	2 x Dak 2,5
	Dış ünite güç kaynağı topraklaması	1 x Dak 2,5
	İç ünite-Dış ünite	3 x 1,5 (Kutup)
Devre oranı	İç ünite-Dış ünite topraklaması	1 x Dak 1,5
	Dış ünite L-N	*2 230 VAC
	İç ünite-Dış ünite S1-S2	*2 230 VAC
	İç ünite-Dış ünite S2-S3	*2 12 VDC – 24 VDC
		12 VDC – 24 VDC

\*1. Her kupta en az 3 mm ayrı temasa sahip bir kesici verilecektir. Topraklama sızıntı kesicisi (NV) kullanın.

Akım kaçacağı devre kesicisinin yüksek harmoniklerle uyumlu olduğundan emin olun.

Bu ünite bir redresörle donatıldığı için daima yüksek harmoniklerle uyumlu bir akım kaçacağı devre kesicisi kullanın.

Uyumsuz bir devre kesicinin kullanılması, dönüştürücünün (invertör) yanlış çalışmasına neden olabilir.

\*2. Şekiller daima topraklamaya karşı DEĞİLDİR.

S3 terminalinde S2 terminaline karşı 24 VDC vardır. Ancak S3 ve S1 arasında, bu terminaler bir transformatör veya başka bir cihazla elektrik izolasyonuna tabi TUTULMAMIŞTIR.

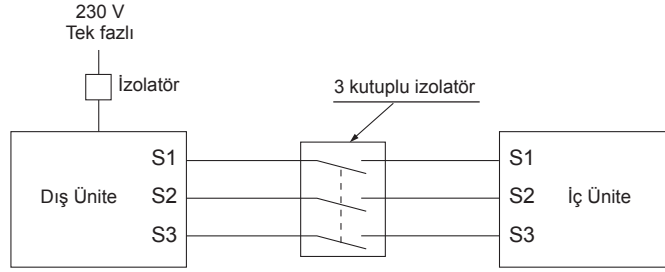
**Notlar:** 1. Kablo büyüklüğü yerel ve ulusal kanunlara uygun olmalıdır.

2. Elektrik besleme kabloları ve İç/Dış ünite bağlantı kabloları polikloropren kaplı esnek kablodan daha hafif olmalıdır. (Tasarım 60245 IEC 57)

3. Diğer kablolardan daha uzun bir topraklama kablosu monte edin.

4. Elektrik dağıtım kablolarının kendi kendine sönen türde olmasını sağlayın.

5. Kabloları metal levha kenarlarına veya vida uçlarına temas etmeyecek şekilde döşeyin.



### ⚠ UYARI:

S3 terminalinde, elektrik hattı ve iletişim sinyali hattı arasında elektrik izolasyonu olmamasından dolayı elektrik devresinden kaynaklanan potansiyel yüksek voltaj vardır. Bu nedenle, bakım işlemi sırasında ana elektrik beslemesini kapatınız. Elektrik mevcutken S1, S2 ve S3 terminallerine dokunmayınız. İç ve dış ünite arasında izolatör kullanılacaksa, lütfen 3 kutuplu tip izolatör kullanınız.

Güç kablosunu ya da iç-dış bağlantı kablosunu asla birbirine bağlamayın, aksi takdirde duman, yangın ya da iletişim hatasına neden olabilir.

İç-dış ünite bağlantı kablolarının doğrudan ünitelere bağlı olduğundan emin olun (ara bağlantılar olmamalıdır).

Ara bağlantılar, kabloları su girerse iletişim hatasına yol açabilir ve topraklama için yetersiz yalıtıma veya ara bağlantı noktasında zayıf bir elektrik kontağına sebep olur.

## 7. Bakım

### 7.1. Gaz doldurma (Fig. 7-1)

1. Gaz tüpünü kesme vanası servis deliğine (3 yönlü) bağlayınız
2. Soğutucu gaz tüpünden gelen boru (veya hortum) içerisinde hava kalmamasına dikkat ediniz.
3. Havadan suya ısı pompası soğutma modunda çalışırken belirtilen oranda gaz ekleyin.

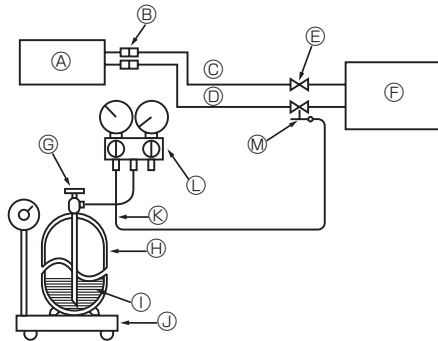
Not:

Soğutma sıvısı eklemek gerektiğinde, soğutma döngüsü için belirtilen miktara uyulmalıdır.

### ⚠ DİKKAT:

- Soğutucu maddeyi atmosfere boşaltmayın.
- Montaj, tekrar montaj sırasında veya soğutucu devre tamir edilirken soğutma maddesini atmosfere boşaltmamaya dikkat ediniz.
- Soğutucu sistemi doldururken, gaz tüpünün sıvı aşamasında soğutma maddesini doldurun.
- Soğutma maddesi gaz aşamasında doldurulursa, silindirik ve dış ünitenin içindeki soğutma maddesinde bileşim değişikliği oluşabilir. Bu durumda, soğutma döngüsü yeteneği azalır veya normal çalıştırma imkansız hale gelebilir. Ancak, sıvı soğutucunun doldurulması kompresörün kilitlenmesine neden olabilir. Bu durumda, soğutma maddesini yavaşça doldurun.

Gaz tüpündeki basıncın yüksek kalmasını sağlamak için soğuk mevsimlerde gaz tüpünü sıcak su (40°C) ile ısıtın. Asla ateş veya buhar kullanmayınız.



- |   |   |
|---|---|
| Ⓐ İç ünite                              | Ⓗ R32 için soğutucu gaz tüpü, sifonlu             |
| Ⓑ Bağlantı                              | Ⓘ Soğutucu (sıvı)                                 |
| Ⓒ Sıvı borusu                           | Ⓝ Soğutucu madde doldurmak için elektronik ölççek |
| Ⓓ Gaz borusu                            | Ⓚ Doldurma borusu (R32 için)                      |
| Ⓔ Kesme vanası                          | Ⓛ Manometre manifold vanası (R32 için)            |
| Ⓕ Dış ünite                             | Ⓜ Servis deliği                                   |
| Ⓖ Soğutucu gaz silindiri çalışma vanası |   |

Fig. 7-1

## 8. Su tesisatı İşleri

### 8.1. Minimum su miktarı

İç ünite montaj kılavuzuna bakın.

### 8.2. Mevcut aralık (Su akış oranı, dönüş suyu sıcaklığı)

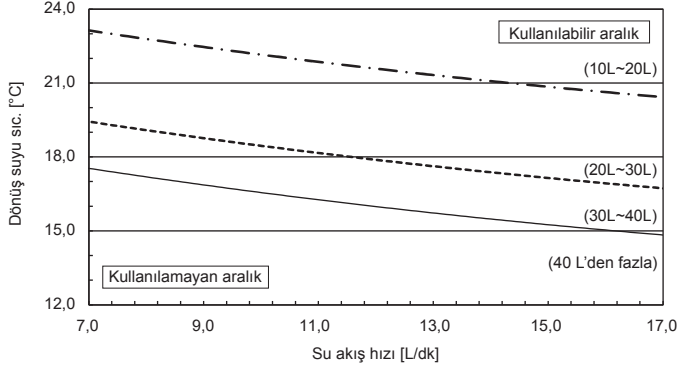
Su devresinde aşağıdaki su akışı hızı ile dönüş sıcaklığı aralığının olmasını sağlayın.

Bu eğriler su miktarıyla ilgilidir.

#### ■ Isıtma

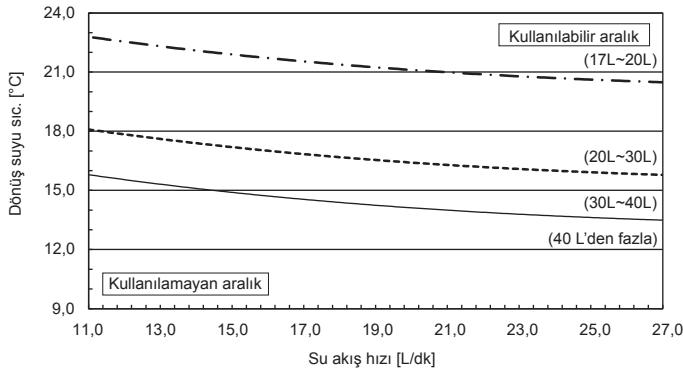
SUZ-SWM30VA SUZ-SHWM30VAH  
SUZ-SWM40VA2 SUZ-SHWM40VAH  
SUZ-SWM60VA2

Sistemin su miktarına bağlı minimum dönüş suyu sıcaklığı



SUZ-SWM80VA(H)2  
SUZ-SWM100VA(H)  
SUZ-SHWM60VAH

Sistemin su miktarına bağlı minimum dönüş suyu sıcaklığı



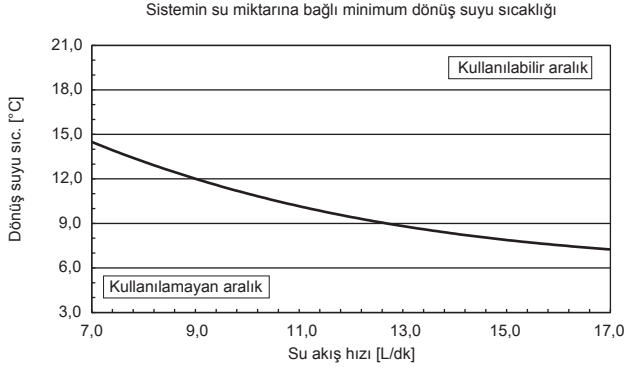
#### Not:

- Buz çözme sırasında, kullanılmayan aralıktan kaçınınız.  
Aksi takdirde dış ünitenin buzu yeterli ölçüde çözülemez ve/veya iç ünitenin ısı eşanjörü donabilir.
- Dış ortam sıcaklığı -15°C'nin altına düştüğünde akış sıcaklığı her zaman için en az 32°C OLMALIDIR.  
Aksi takdirde plakalı ısı eşanjörünün donma ve hasar görme riski vardır ve yetersiz buz çözme nedeniyle dış ısı eşanjörü donabilir.

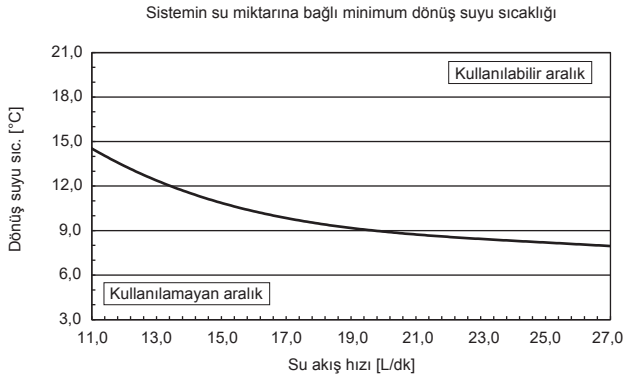
## 8. Su tesisatı İşleri

### ■ Soğutma

SUZ-SWM30VA SUZ-SHWM30VAH  
SUZ-SWM40VA2 SUZ-SHWM40VAH  
SUZ-SWM60VA2



SUZ-SWM80VA(H)2  
SUZ-SWM100VA(H)  
SUZ-SHWM60VAH



#### Not:

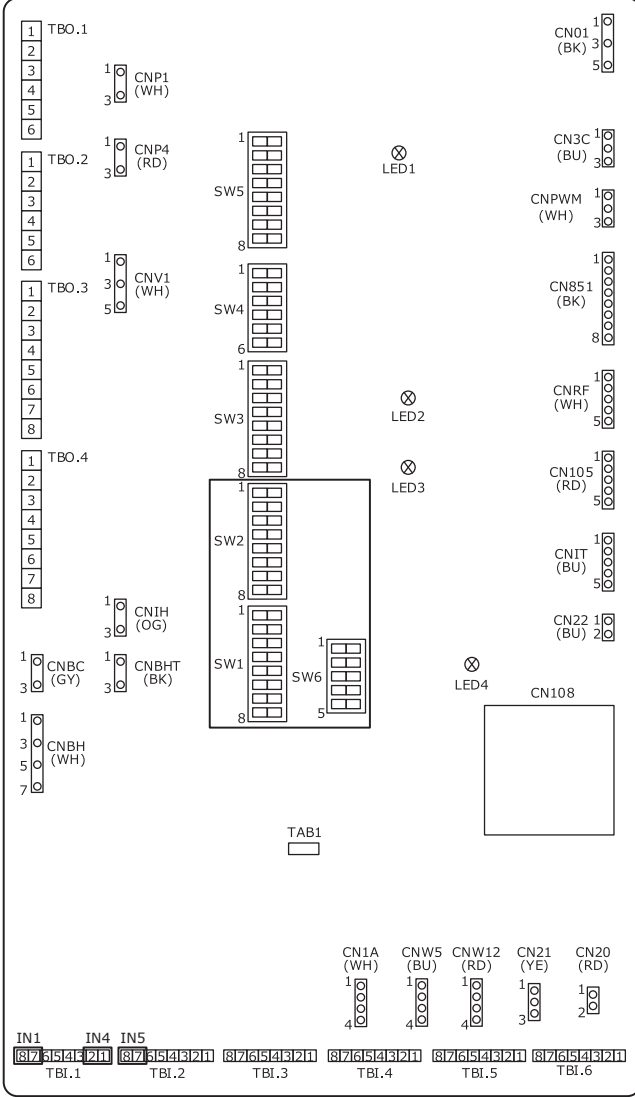
Buz çözme sırasında, kullanılmayan aralıktan kaçının.

Aksi takdirde dış ünitenin buzu yeterli ölçüde çözülemez ve/veya iç ünitenin ısı eşanjörü donabilir.

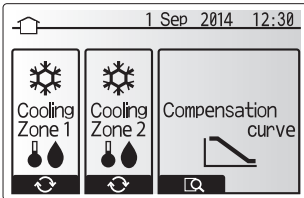
## 9. Aşağı pompalama

Dış birimi başka bir yere taşıırken ya da atarken, atmosfere gaz salınmasını engellemek için gazı aşağıdaki prosedürü izleyerek boşaltın.

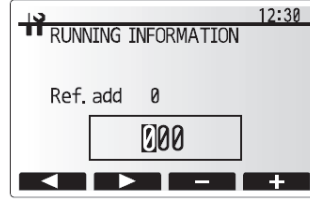
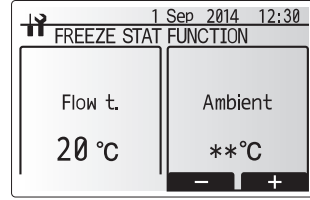
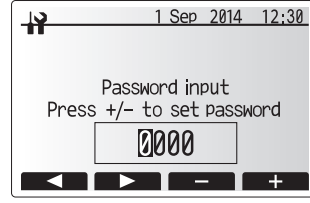
- ① Tüm besleme devrelerini KAPATIN (İç ünite, Isıtıcı, Dış ünite vb. dahil)
- ② Manifold vanasını dış ünite gaz borusu kısmının bağlı olduğu servis deliğine bağlayın.
- ③ Dış ünitenin sıvı borusu kısmındaki kesme vanasını tamamen kapatın.
- ④ İç birimdeki ayarları değiştirin.
  - İç kontrol paneli üzerindeki DIP düğmesi SW1-3'ü KAPALI, SW2-1'i KAPALI, SW2-4'ü AÇIK ve SW6-3'ü KAPALI konuma getirin.
  - Sinyal girişleri olan IN1'i (oda termostati 1 girişi), IN4'ü (Talep kontrolü girişi) ve IN5'in (Dış termostat girişi) bağlantısını kesin.



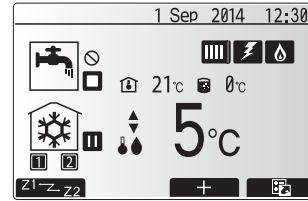
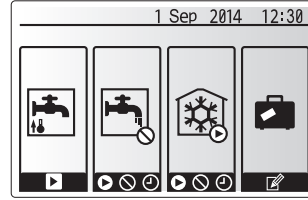
- ⑤ Tüm besleme devrelerini AÇIN.
- ⑥ İç birim ana kumandası üzerindeki ana menüden "Heating/cooling mode" (Isıtma/soğutma modu) → "Cooling flow temp." (Soğutma akışı sic.) ögesini seçin.



- ⑦ Ana menüden "Service" (Servis) ögesini seçin ve ayarı aşağıdaki gibi değiştirin. Şifre girmeniz istenecektir. VARSAYILAN FABRİKA ŞİFRESİ "0000" dir.
  - "Operation settings" (İşlem ayarları) → "Freeze stat function" (Donma önleyici fonksiyon) ögesini seçin ve minimum dış ortam sıcaklığını \* (yıldız işareti) olarak ayarlayın.
  - "Running information" (Çalışma bilgileri) ögesini seçin ve "Reference address" (Referans adresi) değerini 351 olarak ayarlayın.



- ⑧ Soğutucu toplama işlemini gerçekleştirin.
  - Ana kumanda üzerindeki "ON/OFF" (AÇIK/KAPALI) düğmesine basın.
  - Seçenek menüsünden "Cooling ON" (Soğutma AÇIK) ayarını seçin.
  - Hedef akış sıcaklığını 5 °C olarak ayarlayın. Sistem bir oda sıcaklık termostati tarafından kontrol ediliyorsa, hedef oda sıcaklığını 10 °C olarak ayarlayın. Soğutucu toplama işlemi, 60 saniye sonra başlar.
  - Ana kumanda ayarları ile ilgili detaylar veya diğer bilgiler için, iç birimin montaj kılavuzuna veya kullanım kılavuzuna bakın.



Devamı sonraki sayfada.

## 9. Aşağı pompalama

- ⑨ Dış birimin gaz borusu kısmındaki kesme vanası, manometre 0,05 ila 0 MPa [Manometre] (yaklaşık 0,5 ila 0 kgf/cm<sup>2</sup> arası) arasında bir değer gösterdiğinde tamamen kapatın ve klimayı hemen durdurun.
- Dış birimi durdurmak için uzaktan kumandadaki "ON/OFF" (AÇMA/KAPAMA) düğmesine basın.
  - \* Uzatma borusu uzun ve soğutucu miktarı fazlaysa pompalama işlemi yapmak mümkün olmayabilir. Bu durumda, sistemdeki tüm soğutucuyu toplamak için soğutucu geri kazanım ekipmanını kullanın.
- ⑩ Yukarıdaki prosedürde ⑨ değiştirilen ana kumanda ayarını eski haline getirin.
- ⑪ Birimi durdurmak için iç birim ana kumandası üzerindeki "ON/OFF" (AÇIK/KAPALI) düğmesine yaklaşık 3 saniye süreyle basın.
- ⑫ ⑬ haricindeki diğer prosedürlerde değişen ana kumanda ayarlarını eski haline getirin.
- \* "Running information" (Çalışma bilgileri) ayarını eski haline getirmek için: "Reference address" (Referans adresi) değerini 350 olarak ayarlayın.
- ⑬ Tüm besleme devrelerini KAPATIN ve iç devre paneli üzerindeki DIP anahtarı ayarlarını eski haline getirin.
- ⑭ Ölçü manifoldu valfini çıkartın ve soğutucu borularını sökün.



### UYARI:

Soğutucu devresinde bir sızıntı varsa kompresör ile tahliye pompalaması YAPMAYIN.

Soğutucu pompalaması yaparken, soğutucu borularının bağlantısını kesmeden önce kompresörü durdurun.

- Kompresör çalışırken ve kesme valfi (bilyeli valf) açıkken soğutucu boruları bağlantısı kesilirse, içeri hava girmesi durumunda soğutma çevrimindeki basınç aşırı ölçüde yükselebilir ve bu da boruların patlamasına ve kişisel yaralanma vb. neden olabilir.



### DİKKAT:

Tahliye pompalaması dışında herhangi bir amaçla SOĞUTMA moduna olanak vermeyen bir iç üniteye bağlantı yaparken bu SOĞUTMA modunu KULLANMAYIN.

## 10. Spesifikasyonlar

Dış mekan modeli		SUZ-SWM30VA	SUZ-SHWM30VAH	SUZ-SWM40VA2	SUZ-SHWM40VAH	SUZ-SWM60VA2
Güç kaynağı	V / Faz / Hz			230 / Tek / 50		
Boyutlar (G x Y x D)	mm			800 x 714 x 285		
Ses Gücü Seviyesi (Isıtma)	*1 dB(A)	57	57	57	58	60
	*2 dB(A)	54	54	54	55	56

Dış mekan modeli		SUZ-SHWM60VAH	SUZ-SWM80VA(H)2	SUZ-SWM100VA(H)
Güç kaynağı	V / Faz / Hz		230 / Tek / 50	
Boyutlar (G x Y x D)	mm		840 x 880 x 330	
Ses Gücü Seviyesi (Isıtma)	*1 dB(A)	60	60	62
	*2 dB(A)	58	59	60

\*1. Anma çalışma frekansının altında, 7°C DB/6°C WB ortam sıcaklığında ve 55°C su çıkış sıcaklığında ölçülmüştür.

\*2. EN14825 koşullarında EN12102'ye uygun şekilde ölçülmüştür.

EU DECLARATION OF CONFORMITY  
EU-KONFORMITÄTSEKTLÄRUNG  
DÉCLARATION DE CONFORMITÉ UE  
EU-CONFORMITEITSVERKLARING  
DECLARACIÓN DE CONFORMIDAD UE  
DICHIARAZIONE DI CONFORMITÀ UE  
ΔΗΛΩΣΗ ΣΥΜΜΟΡΦΩΣΗΣ ΕΕ  
DECLARAÇÃO DE CONFORMIDADE UE  
EU-OVERENSSTEMMELSESEKTLÆRING

EG-DEKLARATION OM ÖVERENSSTÄMMELSE  
AV UYGUNLUK BEYAN  
ДЕКЛАРАЦИЯ СООТВЕТСТВИЯ НОРМАМ ЕС  
ДЕКЛАРАЦІЯ ВІДПОВІДНОСТІ ВИМОГАМ ЄС  
ЕС ДЕКЛАРАЦІЯ ЗА СЪОТВЕТСТВИЕ  
DEKLARACJA ZGODNOŚCI UE  
EU-ERKLÆRING OM SAMSVAR  
EU-VAATIMUSTENMUKAISUUSVAKUUTUS  
EU PROHLÁŠENÍ O SHODĚ

EU VYHLÁŠENIE O ZHODE  
EU MEGFELELŐSÉGI NYILATKOZAT  
IZJAVA EU O SKLADNOSTI  
DECLARAȚIE DE CONFORMITATE UE  
EL-I VASTAVUSDEKLARATSIOON  
ES ATBILSTĪBAS DEKLARĀCIJA  
ES ATITIKTIES DEKLARĀCIJA  
EU IZJAVA O SUKLADNOSTI  
EU IZJAVA O USAGLAŠENOSTI

**MITSUBISHI ELECTRIC CONSUMER PRODUCTS (THAILAND) CO., LTD**  
**700/406 MOO 7, TAMBON DON HUA ROH, AMPHUR MUANG, CHONBURI 20000, THAILAND**

hereby declares under its sole responsibility that the air conditioner(s) and heat pump(s) for use in residential, commercial, and light-industrial environments described below:  
erklärt hiermit auf seine alleinige Verantwortung, dass die Klimaanlage(n) und Wärmepumpe(n) für das häusliche, kommerzielle und leichtindustrielle Umfeld wie unten beschrieben:  
déclare par la présente et sous sa propre responsabilité que le(s) climatiseur(s) et la/les pompe(s) à chaleur destinés à un usage dans des environnements résidentiels, commerciaux et d'industrie légère décrits ci-dessous :  
verklaart hierbij onder eigen verantwoordelijkheid dat de voor huishoudelijke, handels- en lichtindustriële omgevingen bestemde airconditioner(s) en warmtepomp(en) zoals onderstaand beschreven:

por la presente declara, bajo su exclusiva responsabilidad, que el(los) acondicionador(es) de aire y la(s) bomba(s) de calor previsto(s) para su uso en entornos residenciales, comerciales y de industria ligera que se describen a continuación:

conferma con la presente, sotto la sua esclusiva responsabilità, che i condizionatori d'aria e le pompe di calore destinati all'utilizzo in ambienti residenziali, commerciali e semi-industriali e descritti di seguito:

με το παρόν δηλώνει με αποκλειστική ευθύνη ότι το ή τα κλιματιστικά και η ή οι αντλίες θερμότητας για χρήση σε οικιακά, εμπορικά και επαγγελματικά περιβάλλοντα που περιγράφονται παρακάτω:

declara pela presente, e sob sua exclusiva responsabilidade, que o(s) aparelho(s) de ar condicionado e a(s) bomba(s) de calor destinados a utilização em ambientes residenciais, comerciais e de indústria ligeira descritos em seguida:

erklærer hermed under eneansvar, at det/de herunder beskrevne airconditionanlæg og varmepumpe(r) til brug i beboelses- og erhvervs miljøer samt i miljøer med let industri:

intyggar härmed att luftkonditioneringarna och värmepumparna som beskrivs nedan för användning i bostäder, kommersiella miljöer och lätta industriella miljöer:

ev, ticaret ve hafif sanayi ortamlarında kullanıma yönelik aşağıda açıklanan klima ve ısıtma pompalarıyla ilgili aşağıdaki hususları yalnızca kendi sorumluluğunda olmak üzere beyan eder:

настоящим заявляет под свою исключительную ответственность, что кондиционер (-ы) и тепловой (-ые) насос (-ы) для использования в описанных ниже жилых, коммерческих и небольших складских и промышленных помещениях:

цим заявляю, беручи на себе повну відповідальність за це, що кондиціонер (-и) й тепловий (-и) насос (-и), описані нижче й призначені для використання в житлових приміщеннях, торговельних залах і на підприємствах легкої промисловості:

декларира с настоящата на своя собствена отговорност, че климатикъ(т)е и термомпата(ите), посочени по-долу и предназначени за употреба в жилищни, търговски и лекопромишлени среди:

niniejszym oświadczam na swoją wyłączną odpowiedzialność, że klimatyzatory i pompy ciepła do zastosowań w środowisku mieszkalnym, handlowym i lekko przemysłowym opisane poniżej:

erklærer et fullstendig ansvar for undernevnte klimaapparat og varmepumper ved bruk i boliger, samt kommersielle og lettindustrielle miljøer:

vakuuttaa täten yksinomaista vastuutaan, että jäljempänä kuvutat asuinrakennuksiin, pienteeollisuuskäyttöön ja kaupalliseen käyttöön tarkoitettuihin ilmastointilaitteisiin ja lämpöpumput:

tímto na vlastní odpovědnost prohlašuje, že níže popsané klimatizační jednotky a tepelná čerpadla pro použití v obytných prostředích, komerčních prostředích a prostředích lehkého průmyslu:

týmto na svoju výlučnú zodpovednosť vyhlasuje, že nasledovné klimatizačné jednotky a tepelné čerpadlá určené na používanie v obytných a obchodných priestoroch a v prostredí ľahkého priemyslu:

alulírott kizárólagos felelősségére nyilatkozik, hogy az alábbi lakossági, kereskedelmi és kisipari környezetben való használatra szánt klímaberendezés(ek) és hőszivattyú(k):

na lastno odgovornost izjavlja, da so spodaj opisane klimatske naprave in toplotne črpalke, namenjene za uporabo v stanovanjskih, poslovnih in lahkoindustrijskih okoljih:

declară prin prezenta, pe proprie răspundere, faptul că aparatele de climatizare și pompele de căldură descrise mai jos și destinate utilizării în medii rezidențiale, comerciale și din industria ușoară:

kinnitab oma ainuvastutust, et allpool toodud elu-, äri- ja kergtööstuskeskkondades kasutamiseks mõeldud kliimaseadmed ja soojuspumbad:

ar šo, vienpersoniski uzņemoties atbildību, paziņo, ka tālāk aprakstītais(-tie) gaisa kondicionētājs(-i) un siltumsūkņis(-i) ir paredzēti lietošanai dzīvojamajās, komercdarbības un vieglās rūpniecības telpās, kas aprakstītas tālāk:

šiuo vien tik savo atsakomybe pareiškia, kad toliau apibūdintas (-i) oro kondicionierius (-iai) ir šilumos siurblys (-iai), skirtas (-i) naudoti toliau apibūdintose gyvenamosiose, komercinėse ir lengvosios pramonės aplinkose:

ovime izjavljuje pod isključivom odgovornošću da je/su klimatizacijski uređaji(i) i toplinska dizalica(e) opisan(i) u nastavku namijenjen(i) za upotrebu u stambenim i poslovnim okruženjima te okruženjima lake industrije:

ovim izjavljuje na svoju isključivu odgovornost da su klima-uređaji i toplotne pumpe za upotrebu u stambenim, komercijalnim okruženjima i okruženjima lake industrije opisani u nastavku:

**MITSUBISHI ELECTRIC, SUZ-SWM30VA\*, SUZ-SWM40VA\*, SUZ-SWM60VA\*, SUZ-SWM80VA\*, SUZ-SWM100VA\***  
**SUZ-SHWM30VAH\*, SUZ-SHWM40VAH\*, SUZ-SHWM60VAH\*, SUZ-SWM80VAH\*, SUZ-SWM100VAH\***  
**\* : , , 1, 2, 3, . . . , 9**

is/are in conformity with provisions of the following Union harmonisation legislation.  
die Bestimmungen der folgenden Harmonisierungsrechtsvorschriften der Union erfüllen/

erfüllen.  
est/sont conforme(s) aux dispositions de la législation d'harmonisation de l'Union

suivante.  
voldoet/voldoen aan bepalingen van de volgende harmonisatiewetgeving van de Unie.

cumple(n) con las disposiciones de la siguiente legislación de armonización de la Unión.

sono in conformità con le disposizioni della seguente normativa dell'Unione sull'armonizzazione.

συμμορφώνονται με τις διατάξεις της ακόλουθης νομοθεσίας εναρμόνισης της Ένωσης.

está/estão em conformidade com as disposições da seguinte legislação de harmonização da União.

er i overensstemmelse med bestemmelserne i følgende harmoniserede EU-lovgivning.

uppfyller villkoren i följande harmoniserade föreskrifter inom unionen.

აşağıdaki Avrupa Birliği uyumlaştırma mevzuatının hükümlerine uygundur.

соответствуют положениям следующих законодательных актов Союза о гармонизации.

2014/35/EU: Low Voltage Directive  
2006/42/EC: Machinery Directive  
2014/30/EU: Electromagnetic Compatibility Directive  
2011/65/EU, (EU) 2015/863 and (EU) 2017/2102: RoHS Directive  
2009/125/EC: Energy-related Products Directive and Regulation (EU) No 813/2013

відповідають положенням вказаного далі законодавства Союзу щодо гармонізації.  
е/са в съответствие с разпоредбите на следното законодателство на Съюза за

хармонизация.  
są zgodne z przepisami następującego unijnego prawodawstwa harmonizacyjnego.

er i samsvar med forskriftene til følgende EU-lovgivning om harmonisering.

ovat seuraavan unionin yhdenmukaistamislainsäädännön säännösten mukaisia.

jsou v souladu s ustanoveními následujících harmonizačních právních předpisů Unie.

splňají ustanovenia nasledujúcich harmonizovaných noriem EÚ.

megfelel(nek) az Unió alábbi harmonizációs jogszabályi előírásainak.

v skladu z določbami naslednje usklajevalne zakonodaje Unije.

sunt în conformitate cu dispozițiile următoare legislații de armonizare a Uniunii.

atbilst šādiem ES harmonizētajiem tiesību aktu noteikumiem.

taip pat atitinka kitų toliau išvardytų suderintųjų Sąjungos direktyvų nuostatas.

sukladan(i) odredbama sljedećeg zakonodavstva Unije za sukladnost.

u skladu sa odredbama sledećeg usklađivanja zakonodavstva Unije.

### <ENGLISH>

English is original. The other languages versions are translation of the original.

#### ▲ CAUTION

- Refrigerant leakage may cause suffocation. Provide ventilation in accordance with EN378-1.
- Be sure to wrap insulation around the piping. Direct contact with the bare piping may result in burns or frostbite.
- Never put batteries in your mouth for any reason to avoid accidental ingestion.
- Battery ingestion may cause choking and/or poisoning.
- Install the unit on a rigid structure to prevent excessive operation sound or vibration.
- The A-weighted sound pressure level is below 70dB.
- This appliance is intended to be used by expert or trained users in shops, in light industry and on farms, or for commercial use by lay persons.

### <DEUTSCH>

Das Original ist in Englisch. Die anderen Sprachversionen sind vom Original übersetzt.

#### ▲ VORSICHT

- Wenn Kältemittel austritt, kann dies zu Erstickten führen. Sorgen Sie in Übereinstimmung mit EN378-1 für Durchlüftung.
- Die Leitungen müssen isoliert werden. Direkter Kontakt mit nicht isolierten Leitungen kann zu Verbrennungen oder Erfrierungen führen.
- Nehmen Sie niemals Batterien in den Mund, um ein versehentliches Verschlucken zu vermeiden.
- Durch das Verschlucken von Batterien kann es zu Erstickungen und/oder Vergiftungen kommen.
- Installieren Sie das Gerät auf einem stabilen Untergrund, um übermäßige Betriebsgeräusche oder -schwingungen zu vermeiden.
- Der A-gewichtete Schalldruckpegel ist niedriger als 70dB.
- Dieses Gerät ist vorgesehen für die Nutzung durch Fachleute oder geschultes Personal in Werkstätten, in der Leichtindustrie und in landwirtschaftlichen Betrieben oder für die kommerzielle Nutzung durch Laien.

### <FRANÇAIS>

L'anglais est l'original. Les versions fournies dans d'autres langues sont des traductions de l'original.

#### ▲ PRECAUTION

- Une fuite de réfrigérant peut entraîner une asphyxie. Fournissez une ventilation adéquate en accord avec la norme EN378-1.
- Assurez-vous que la tuyauterie est enveloppée d'isolant. Un contact direct avec la tuyauterie nue peut entraîner des brûlures ou des engelures.
- Ne mettez jamais des piles dans la bouche pour quelque raison que ce soit pour éviter de les avaler par accident.
- Le fait d'ingérer des piles peut entraîner un étouffement et/ou un empoisonnement.
- Installez l'appareil sur une structure rigide pour prévenir un bruit de fonctionnement et une vibration excessifs.
- Le niveau de pression acoustique pondéré est en dessous de 70 dB.
- Cet appareil est conçu pour un utilisateur expert ou les utilisateurs formés en magasin, dans l'industrie légère et dans l'agriculture ou dans le commerce par le profane.

### <NEDERLANDS>

Het Engels is het origineel. De andere taalversies zijn vertalingen van het origineel.

#### ▲ VOORZICHTIG

- Het lekken van koelvloeistof kan verstikking veroorzaken. Zorg voor ventilatie in overeenstemming met EN378-1.
- Isoleer de leidingen met isolatiemateriaal. Direct contact met de onbedekte leidingen kan leiden tot brandwonden of bevriezing.
- Stop nooit batterijen in uw mond om inslikking te voorkomen.
- Het inslikken van batterijen kan verstikking of vergiftiging veroorzaken.
- Installeer het apparaat op een stabiele structuur om overmatig lawaai of trillingen te voorkomen.
- Het niveau van de geluidsdruk ligt onder 70 dB(A).
- Dit apparaat is bedoeld voor gebruik door ervaren of opgeleide gebruikers in werkplaatsen, in de lichte industrie en op boerderijen, of voor commercieel gebruik door leken.

### <ESPAÑOL>

El idioma original del documento es el inglés. Las versiones en los demás idiomas son traducciones del original.

#### ▲ CUIDADO

- Las pérdidas de refrigerante pueden causar asfixia. Se debe proporcionar la ventilación determinada en EN378-1.
- Asegúrese de colocar el aislante alrededor de las tuberías. El contacto directo con la tubería puede ocasionar quemaduras o congelación.
- Para evitar una ingestión accidental, no coloque las pilas en su boca bajo ningún concepto.
- La ingestión de las pilas puede causar asfixia y/o envenenamiento.
- Coloque la unidad en una estructura rígida para evitar que se produzcan sonidos o vibraciones excesivos debidos a su funcionamiento.
- El nivel de presión acústica ponderado A es inferior a 70 dB.
- Este aparato está destinado a su uso por parte de usuarios expertos o capacitados en talleres, industrias ligeras y granjas, o a su uso comercial por parte de personas no expertas.

### <ITALIANO>

Il testo originale è redatto in lingua Inglese. Le altre versioni linguistiche rappresentano traduzioni dell'originale.

#### ▲ ATTENZIONE

- Le perdite di refrigerante possono causare asfissia. Prevedere una ventilazione adeguata in conformità con la norma EN378-1.
- Accertarsi di applicare materiale isolante intorno alle tubature. Il contatto diretto con le tubature non schermate può provocare ustioni o congelamento.
- Non introdurre in nessun caso le batterie in bocca onde evitare ingestioni accidentali.
- L'ingestione delle batterie può provocare soffocamento e/o avvelenamento.
- Installare l'unità su una struttura rigida in modo da evitare rumore o vibrazioni eccessivi durante il funzionamento.
- Il livello di pressione del suono ponderato A è inferiore a 70dB.
- Questa apparecchiatura è destinata all'utilizzo da parte di utenti esperti o addestrati in negozi, industria leggera o fattorie oppure a un uso commerciale da parte di persone non esperte.

### <ΕΛΛΗΝΙΚΑ>

Η γλώσσα του πρωτοτύπου είναι η αγγλική. Οι εκδόσεις άλλων γλωσσών είναι μεταφράσεις του πρωτοτύπου.

#### ▲ ΠΡΟΣΟΧΗ

- Η διαρροή του ψυκτικού ενδέχεται να προκαλέσει ασφυξία. Φροντίστε για τον εξαερισμό σύμφωνα με το πρότυπο EN378-1.
- Φροντίστε να τυλίξετε με μονωτικό υλικό τη σωλήνωση. Η απευθείας επαφή με τη γυμνή σωλήνωση ενδέχεται να προκαλέσει εγκαύματα ή κρυοπαγήματα.
- Μη βάζετε ποτέ τις μπαταρίες στο στόμα σας για κανένα λόγο ώστε να αποφύγετε την κατά λάθος κατάποσή τους.
- Η κατάποση μπαταριών μπορεί να προκαλέσει πνιγμό ή/και δηλητηρίαση.
- Εγκαταστήστε τη μονάδα σε σταθερή κατασκευή ώστε να αποφύγετε τον έντονο ήχο λειτουργίας ή τους κραδασμούς.
- Η Α-σταθμισμένη στάθμη ηχητικής πίεσης είναι κάτω των 70dB.
- Η Α-σταθμισμένη στάθμη ηχητικής πίεσης είναι κάτω των 70dB.
- Η συσκευή αυτή προορίζεται για χρήση από εμπειρογούς ή εκπαιδευμένους χρήστες σε καταστήματα, στην ελαφριά βιομηχανία και σε αγροκτήματα, ή για εμπορική χρήση από άτομα τα οποία δεν είναι ειδικούς.

### <PORTUGUÊS>

O idioma original é o inglês. As versões em outros idiomas são traduções do idioma original.

#### ▲ CUIDADO

- A fuga de refrigerante pode causar asfíxia. Garanta a ventilação em conformidade com a norma EN378-1.
- Certifique-se de que envolve as tubagens com material de isolamento. O contacto directo com tubagens não isoladas pode resultar em queimaduras ou ulcerações provocadas pelo frio.
- Nunca coloque pilhas na boca, por nenhum motivo, para evitar a ingestão accidental.
- A ingestão de uma pilha pode causar obstrução das vias respiratórias e/ou envenenamento.
- Instale a unidade numa estrutura robusta, de forma a evitar ruídos ou vibrações excessivos durante o funcionamento.
- O nível de pressão sonora ponderado A é inferior a 70 dB.
- Este equipamento destina-se a ser utilizado por especialistas ou utilizadores com formação em lojas, na indústria ligeira e em quintas, ou para utilização comercial por leigos.

### <DANSK>

Engels er originalen. De andre sprogversioner er oversættelser af originalen.

#### ▲ FORSIGTIG

- Lækage af kølemiddel kan forårsage kvælning. Sørg for udluftning i overensstemmelse med EN378-1.
- Sørg for at pakke rørene ind i isolering. Direkte kontakt med ubeklædte rør kan forårsage forbrændinger eller forfrysninger.
- Batterier må under ingen omstændigheder tages i munden for at forhindre utilsigtet indtagelse.
- Indtagelse af batterier kan forårsage kvælning og/eller forgiftning.
- Installer enheden på en fast struktur for at forhindre for høje driftslyde eller vibrationer.
- Det A-vægtede lydtrykniveau er under 70dB.
- Dette apparat er beregnet til at blive brugt af eksperter eller udlærte brugere i butikker, inden for let industri og på gårde eller til kommerciel anvendelse af lægmænd.

### <SVENSKA>

Engelska är originalspråket. De övriga språkversionerna är översättningar av originalet.

#### ▲ FÖRSIKTIGHET

- Köldmedelsläckage kan leda till kvävning. Tillhandahåll ventilation i enlighet med EN378-1.
- Kom ihåg att linda isolering runt rören. Direktkontakt med bara rör kan leda till brännskador eller köldskador.
- Stoppa aldrig batterier i munnen, de kan sväljas av misstag.
- Om ett batteri sväljs kan det leda till kvävning och/eller förgiftning.
- Montera enheten på ett stadigt underlag för att förhindra höga drift ljud och vibrationer.
- Den A-vägdade ljudtrycksnivån är under 70dB.
- Denna apparat är ämnad för användning av experter eller utbildade användare i affärer, inom lätt industri och på lanbruk, eller för kommersiell användning av lekmän.

### <TÜRKÇE>

Aslı İngilizce'dir. Diğer dillerdeki sürümler aslının çevirisidir.

#### ▲ DİKKAT

- Soğutucu kaçağı boğulmaya neden olabilir. EN378-1 uyarınca uygun havalandırma sağlayın.
- Borular etrafına yalıtım yapıldığından emin olun. Borulara doğrudan çıplak elle dokunulması yanıklara veya soğuk ısırıklarına neden olabilir.
- Kazara yutmamak için, pilleri kesinlikle hiçbir amaçla ağızınızda tutmayın.
- Pillerin yutulması boğulmaya ve/veya zehirlenmeye yol açabilir.
- Aşırı çalıma seslerini veya titreşimi önlemek için, üniteyi sağlam bir yapı üzerine monte edin.
- A ağır iş ses gücü seviyesi 70dB'nin altındadır.
- Bu cihaz tölöyelerde, hafif endüstriyel tesislerde ve çiftliklerde uzman veya eğitimli kullanıcılar tarafından kullanılmak üzere veya normal kullanıcılar tarafından ticari kullanım için tasarlanmıştır.

### <РУССКИЙ>

Языком оригинала является английский. Версии на других языках являются переводом оригинала.

#### ▲ ОСТОРОЖНО

- Утечка хладагента может стать причиной удушья. Обеспечьте вентиляцию в соответствии с EN378-1.
- Обязательно оберните трубы изоляционным материалом. Непосредственный контакт с неизолированным трубопроводом может привести к ожогам или обморожению.
- Запрещается класть элементы питания в рот по каким бы то ни было причинам во избежание случайного проглатывания.
- Попадание элемента питания в пищеварительную систему может стать причиной удушья и/или отравления.
- Устанавливайте устройство на жесткую структуру во избежание чрезмерного шума или чрезмерной вибрации во время работы.
- Уровень звукового давления по шкале А не превышает 70 дБ.
- Данное устройство предназначено для использования специалистами или обученным персоналом в магазинах, на предприятиях легкой промышленности и фермах или для коммерческого применения неспециалистами.

### <УКРАЇНСЬКА>

Переклад оригіналу. Текст іншими мовами є перекладом оригіналу.

#### ▲ ОБЕРЕЖНО

- Виток холодагента може призвести до удушся. Необхідно забезпечити вентиляцію відповідно до стандарту EN 378-1.
- Труби необхідно обмотати ізоляційним матеріалом. Прямий контакт із непокритою трубою може призвести до опіку або обмороження.
- Забороняється класти елементи живлення в рот із будь-яких причин, оскільки є ризик випадково їх проковтнути.
- Попадання елемента живлення в травну систему може стати причиною задхуки та/або отруєння.
- Встановлюйте блок на міцній конструкції, щоб уникнути надмірного рівня звуку роботи або вібрації.
- Рівень амплітудно зваженого акустичного тиску становить нижче 70 дБ.
- Цей прилад призначається для використання спеціалістами або особами, що пройшли відповідне навчання, у крамницях, легкій промисловості та сільськогосподарських підприємствах, а також для комерційного використання неспеціалістами.

### <БЪЛГАРСКИ>

Оригиналът е текстът на английски език. Версиите на други езици са преводи от оригинала.

#### ▲ ВНИМАНИЕ

- Изтичането на хладилен агент може да причини задушаване. Осигурете вентилация съобразно с EN378-1.
- Не забравяйте да увиете изолация около тръбите. Директният контакт с оголени тръби може да причини изгаряне или измръзване.
- При никакви обстоятелства не поставяйте батериите в устата си, за да не ги поглънете по невнимание.
- Това може да доведе до задушаване и/или натравяне.
- Монтирайте тялото върху твърда конструкция, за да предотвратите прекомерен шум или вибрации по време на работа.
- А-преглетено ниво на звуково налягане е под 70 дБ.
- Този уред е предназначен за използване от експерти или обучени потребители в магазини, в леката промисленост и във ферми, или за търговска употреба от неспециалисти.



## <POLSKI>

Językiem oryginału jest język angielski. Inne wersje językowe stanowią tłumaczenie oryginału.

### ⚠ UWAGA

- Wyciek czynnika chłodniczego może spowodować uduszenie. Należy zapewnić wentylację zgodnie z normą EN378-1.
- Należy pamiętać, aby owinąć izolację wokół przewodów rurowych. Bezpośredni kontakt z niezabezpieczonymi przewodami rurowymi może doprowadzić do poparzeń lub odmrożeń.
- Nie wolno wkładać baterii do ust z jakiegokolwiek powodu, aby uniknąć przypadkowego poknięcia.
- Poknięcie baterii może spowodować zadławienie i/lub zatrucie.
- Zainstalować urządzenie na sztywnej konstrukcji, aby zapobiec nadmieremu hałasowi i wibracjom.
- Poziom dźwięku A nie przekracza 70 dB.
- W sklepach, w przemyśle lekkim i w gospodarstwach rolnych urządzenia powinni obsługiwać profesjonalni lub przeszkoleni użytkownicy, a w środowisku handlowym mogą to być osoby nieposiadające fachowej wiedzy.

## <NORSK>

Originalspråket er engelsk. De andre språkversjonene er oversettelser av originalen.

### ⚠ FORSIKTIG

- Kjølemiddellekkasje kan forårsake kvelning. Sørg for ventilering i samsvar med EN378-1.
- Pass på at isoleringen pakkes godt rundt røret. Direkte kontakt med ukledte rør kan forårsake brannskader eller forfrysninger.
- Aldri plasser batteri i munnen, da dette kan medføre en risiko for at du svelger batteriet ved et uhell.
- Hvis du svelger et batteri, kan du risikere kvelning og/eller forgiftning.
- Installer enheten på en stabil struktur for å forhindre uønsket støy eller vibrasjon.
- Det A-vektede lydtryknivået er under 70 dB.
- Dette apparatet er ment for bruk av eksperter eller faglært personell i butikker, lettindustri og på gårder, eller for kommersielt bruk av ikke-fagmenn.

## <SUOMI>

Englantia on alkuperäinen. Muut kieliversiot ovat alkuperäiskappaleen käännöksiä.

### ⚠ HUOMIO

- Vuotava kylmäaine voi aiheuttaa tukehtumisen. Ilmanvaihdon on oltava EN378-1-standardin mukainen.
- Kääri putken ympärille eristysmateriaalia. Paljaan putken koskettamisesta voi seurata palolta paleltumavammoja.
- Älä koskaan laita paristoja suuhun, jotta et vahingossa nielaisisi niitä.
- Paristojen nieleminen voi aiheuttaa tukehtumisen ja/tai myrkytyksen.
- Asenna yksikkö tukeviin rakenteisiin, jotta sen käyttöä ei syntyisi ylimääräistä ääntä tai värinää.
- A-painotettu äänenpainetaso on alle 70 dB.
- Laite on tarkoitettu asiantuntijoiden tai laitteelle koulutuksen saaneiden käyttöön kauppoissa, piinteollisuudessa ja maataloilla tai maailloille kaupalliseen käyttöön.

## <ČEŠTINA>

Originál je v angličtině. Ostatní jazykové verze jsou překladem originálu.

### ⚠ POZOR

- Únik chladicího média může způsobit udušení. Zajistěte větrání v souladu s normou EN 378-1.
- Okolo potrubí vždy omotejte izolací. Přímý kontakt s obnaženým potrubím může způsobit popálení nebo omrzliny.
- Nikdy nevkádejte baterie do úst, aby nedošlo k jejich požití.
- Požití baterie může způsobit zdušení a/nebo otravu.
- Počítání jednotku na pevnou konstrukci, aby nedocházelo ke vzniku nadměrného provozního hluku a vibrací.
- Hladina akustického tlaku A je nižší než 70 dB.
- Toto zařízení je určeno pro prodejny, lehký průmysl a farmy, kde je musí obsluhovat odborníci a školení uživatelé, a pro komerční použití, kde je mohou obsluhovat laici.

## <SLOVENČINA>

Překlad anglického originálu. Všetky jazykové verzie sú preložené z angličtiny.

### ⚠ UPOZORNENIE

- Únik chladiva môže spôsobiť udusenie. Zabezpečte vetranie podľa normy EN 378-1.
- Nezabudnite potrubie obaliť izoláciou. Priamy kontakt s nezabaleným potrubím môže spôsobiť popálenie alebo omrzliny.
- Batérie si nikdy z akéhokoľvek dôvodu nekladte do úst, aby nedošlo k ich náhodnému požitiu.
- Požitie batérií môže vyvolať dusenie a/alebo otravu.
- Nainštalujte jednotku na pevný konštrukčný prvok, aby ste obmedzili nadmerný prevádzkový hluk a vibrácie.
- Hladina akustického tlaku A je nižšia ako 70 dB.
- Toto zariadenie je určené na používanie odborníkmi alebo zaškolenými používateľmi v komerčných priestoroch, v prostredí ľahkého priemyslu, na farmách, alebo na komerčné použitie bežnými používateľmi.

## <MAGYAR>

Az angol változat az eredeti. A többi nyelvi változat az eredeti fordítása.

### ⚠ VIGYÁZAT

- A hűtőközeg szivárgása fulladást okozhat. Gondoskodjon az EN378-1 szabvány elõírásai szerinti szellõzésrõl.
- Feltétlenül szigetelje kõrbe a csõveket. A csupasz csõ megérintése égési vagy fagyási sérülést okozhat.
- Ne vegyen a szájába elemet semmilyen célból, mert véletlenül lenyelheti!
- A lenyelt elem fulladást és/vagy mérgezést okozhat.
- A készüléket merev szerkezetre szerelje fel, hogy megakadályozza a túlzott üzemi zajt és vibrációt.
- Az A-súlyozott hangnyomásszint 70 dB alatt van.
- A készülék üzletek, a könnyûipar és gazdaságok szakértõ vagy képzett felhasználói, valamint laikus felhasználók általi kereskedelmi használatra készült.

## <SLOVENŠČINA>

Izvirnik je v angleščini. Druge jezikovne različice so prevodi izvirnika.

### ⚠ POZOR

- Puščanje hladiva lahko povzroči zadušitev. Zagotovite prezračevanje po standardu EN378-1.
- Cevi ovijte z izolacijo. Neposredni stik z golimi cevmi lahko povzroči opekline ali ozeblino.
- Nikoli in iz nobenega razloga ne vstavljajte baterij v usta, da jih po nesreči ne pogoltnete.
- Če baterije pogoltnete, se lahko zadržite in/ali zastupite.
- Enoto namestite na togo konstrukcijo, da preprečite pretiran zvok ali tresenje med delovanjem.
- A-utežena raven zvočnega tlaka je pod 70 dB.
- Naprava je namenjena za uporabo s strani strokovnih ali ustrezno usposobljenih uporabnikov v trgovinah, lahki industriji in na kmetijah ter za komercialno uporabo s strani nestrokovnih uporabnikov.

## <ROMÂNĂ>

Textul original este în limba engleză. Versiunile pentru celelalte limbi sunt traduceri ale originalului.

### ⚠ ATENȚIE

- Scurgera de agent frigorific poate cauza asfixierea. Asigurați o ventilație corespunzătoare, conform standardului EN378-1.
- Asigurați-vă că înfășurați materialul izolator în jurul conductelor. Contactul direct cu conductele neizolate se poate solda cu arsuri sau degerături.
- Nu introduceți niciodată și pentru niciun motiv bateriile în gură, pentru a evita ingerarea accidentală a acestora.
- Ingerarea bateriilor poate cauza sufocarea și/sau intoxicația.
- Instalați unitatea pe o structură rigidă pentru a preveni producerea unui nivel excesiv de sunete sau vibrații.
- Nivelul de presiune acustică ponderată în A este mai mic de 70 dB.
- Acest aparat este destinat utilizării de către utilizatori specializați sau instruiți în cadrul spațiilor comerciale, spațiilor din cadrul industriei ușoare și al fermelor sau în scopuri comerciale de către nespecialiști.

## <EESTI>

Originaaljuhend on ingliskeelne. Muudes keeltes versioonid on originaali tõlked.

### ⚠ ETTEVAATUST!

- Külmaaine leke võib põhjustada lämbumist. Tuulutamine standardi EN378-1 kohaselt.
- Mähkige torude ümber kindlasti isolatsioon. Vahetu kontakt paljaste torudega võib põhjustada põletusi või külmakahjustusi.
- Hoiduge patareidest tahtmatust allaneelamisest, ärge kunagi pange ühelgi põhjused patareisid suhu.
- Patareid allaneelamine võib põhjustada lämbumist ja/või mürgitust.
- Paigaldage seade järgale struktuurile, et vältida ülemaalast tööhele ja vibreerimist.
- A-filtriiga helirõhu tase on madalam kui 70 dB.
- Seade on mõeldud kasutamiseks asjatundjatele ja väljaõppe läbinud kasutajatele poodides, kergtööstuses ja taludes ning kommertskasutuseks tavaisikute poolt.

## <LATVIŠKI>

Orģināls ir angļu valodā. Versijas citās valodās ir oriģināla tulkojums.

### ⚠ UZMANĪBU

- Aukstumaģenta noplūdes gadījumā pastāv nosmakšanas risks. Ir jānodrošina standartam EN378-1 atbilstoša ventilācija.
- Aptiniet caurules ar izolējošu materiālu. Pieskaroties neaptitām caurulēm, var gūt apdegumus vai apsaldējumus.
- Aizliegts ievietot baterijas mutē; pastāv norīšanas risks.
- Bateriju norīšana var izraisīt aizrīšanas un/vai saindēšanas.
- Uzstādiet iekārtu uz izturīgas struktūras, lai izvairģtos no pārlģeku liela darbģbas trokģņa vai vibrācijas.
- A — izsvartais skaņas spģdiena lģmenģs ir mazāks par 70 dB.
- Šo iekārtu paredzģts lietot speciālistiem vai apmāģtiem lietotāģiem veģkalos, vieglģs rūpniecģbas tģpģs un lauksaimniecģbas fermās, kā arī to var lietot nespeciģlisti komercģalģm vajadzģbģm.

## <LIETUVIŠKAI>

Originalas yra anglų k. Versijos kitomis kalbomis yra originalo vertimas.

### ⚠ ATSARGIAI

- Dël šaltnešio nuotekio galima uždušinti. Išvėdinkite patalpas pagal EN378-1.
- Būtinai vamzdėlius apvyniokite izoliacija. Prisilietus prie plikų vamzdelių galima nusidėginti arba nušalti.
- Siekdami išvėgti atsityktinio prarjimo, niekada nedėkite baterijų į burną.
- Prarijus bateriją galima užspringti ir / arba apsinuodyti.
- Įrenginį sumontuokite ant tvirtos struktūros, kad nesigirdėtų pernelyg didelio veikimo triukšmo ar vibracijos.
- A svertinis garso slėgio lygis nesiekia 70 dB;
- Šis prietaisas skirtas naudoti specialistui ar išmokytiems naudotojams dirbtuvėse, lengvojoje pramonėje ar ūkiuose arba komerciniam naudojimui nespecialistams.

## <HRVATSKI>

Tekst je izvorno napisan na engleskom jeziku. Tekst na ostalim jezicima predstavlja prijevod izvorno napisanog teksta.

### ⚠ OPREZ

- Curenje rashladnog sredstva može uzrokovati gušenje. Osigurajte ventilaciju u skladu s normom HR EN378-1.
- Obavezno stavite izolaciju oko položenih cijevi. Izravni doticaj s golim cijevima može dovesti do opekline ili smrzavanja.
- Nikada ne stavljajte baterije u usta ni zbog kojeg razloga kako biste izbjegli slučajno gutanje.
- Gutanje baterija može prouzročiti gušenje i/ili trovanje.
- Postavite jedinicu na čvrstu strukturu kako biste izbjegli prebučan zvuk tijekom rada ili pojavu vibracija.
- Razina zvučnog tlaka A niža je od 70dB.
- Ovak uređaj mogu upotrebljavati stručnjaci ili osposobljeni korisnici u trgovinama, lakoj industriji i na poljoprivrednim gospodarstvima ili laici u komercijalne svrhe.

## <SRPSKI>

Prevod originala. Verzije na drugim jezicima su prevodi originala.

### ⚠ OPREZ

- Curenje rashladne tečnosti može da dovede do gušenja. Obezbedite ventilaciju u skladu sa EN378-1.
- Obavezno obmotajte izolaciju oko cevi. Direktan kontakt sa golom cevju može izazvati opekotine ili promrzline.
- Nikada nemojte stavljati baterije u usta iz bilo kog razloga, kako bi se sprečilo slučajno gutanje.
- Gutanje baterija može da izazove gušenje i/ili trovanje.
- Ugradite jedinicu na čvrstu strukturu kako biste sprečili previše jak zvuk rada ili vibracije.
- A-ponderisani nivo jačine pritiska zvuka je ispod 70 dB.
- Ovak uređaj je namenjen za upotrebu od strane stručnih ili obučanih korisnika u prodavnicama, u lakoj industriji i na farmama ili za komercijalnu upotrebu od strane nekvalifikovanih lica.

Please be sure to put the contact address/telephone number on this manual before handing it to the customer.

**mitsubishi electric corporation**

HEAD OFFICE: TOKYO BUILDING, 2-7-3, MARUNOUCHI, CHIYODA-KU, TOKYO 100-8310, JAPAN

# Air to Water Heat Pump SUZ-SWM·VA(H) series SUZ-SHWM·VAH series

INSTALLATION MANUAL	FOR INSTALLER	English
INSTALLATIONSHANDBUCH	FÜR INSTALLATEURE	Deutsch
MANUEL D'INSTALLATION	POUR L'INSTALLATEUR	Français
INSTALLATIEHANDLEIDING	VOOR DE INSTALLATEUR	Nederlands
MANUAL DE INSTALACIÓN	PARA EL INSTALADOR	Español
MANUALE DI INSTALLAZIONE	PER L'INSTALLATORE	Italiano
ΕΓΧΕΙΡΙΔΙΟ ΟΔΗΓΙΩΝ ΕΓΚΑΤΑΣΤΑΣΗΣ	ΓΙΑ ΑΥΤΟΝ ΠΟΥ ΚΑΝΕΙ ΤΗΝ ΕΓΚΑΤΑΣΤΑΣΗ	Ελληνικά
MANUAL DE INSTALAÇÃO	PARA O INSTALADOR	Português
INSTALLATIONSMANUAL	TIL INSTALLATØREN	Dansk
INSTALLATIONSMANUAL	FÖR INSTALLATÖREN	Svenska
MONTAJ ELKİTABI	MONTÖR İÇİN	Türkçe
РУКОВОДСТВО ПО УСТАНОВКЕ	ДЛЯ УСТАНОВИТЕЛЯ	Русский
ПОСІБНИК З УСТАНОВЛЕННЯ	ДЛЯ СПЕЦІАЛІСТА З МОНТАЖУ	Українська
РЪКОВОДСТВО ЗА МОНТАЖ	ЗА МОНТАЖНИКА	Български
INSTRUKCJA MONTAŻU	DLA INSTALATORA	Polski
INSTALLASJONSHÅNDBOK	FOR MONTØR	Norsk
ASENNUSOPAS	ASENTAJALLE	Suomi
INSTALAČNÍ PŘÍRUČKA	PRO MONTÁŽNÍ PRACOVNÍKY	Čeština
NÁVOD NA INŠTALÁCIU	PRE MONTÉRA	Slovenčina
TELEPÍTÉSI KÉZIKÖNYV	A TELEPÍTŐ RÉSZÉRE	Magyar
NAMESTITVENI PRIROČNIK	ZA MONTERJA	Slovenščina
MANUAL DE INSTALARE	PENTRU INSTALATOR	Română
PAIGALDUSJUHEND	PAIGALDAJALE	Eesti
MONTĀŽAS ROKASGRĀMATA	UZSTĀDĪŠANAS SPECIĀLISTAM	Latviski
MONTAVIMO VADOVAS	SKIRTA MONTUOTOJUI	Lietuviškai
PRIRUČNIK ZA POSTAVLJANJE	ZA INSTALATERA	Hrvatski
UPUTSTVO ZA UGRADNJU	ZA MONTERA	Srpski

1. Меры предосторожности.....	1	7. Техобслуживание.....	10
2. Выбор места установки.....	3	8. Прокладка водопроводных труб.....	11
3. Схема установки.....	5	9. Откачка.....	13
4. Дренажный трубопровод для наружного прибора.....	5	10. Технические характеристики.....	14
5. Работа с трубопроводом хладагента.....	6	11. Серийный номер.....	14
6. Работы по электромонтажу.....	9		

## ОСТОРОЖНО:

- Не допускайте выброса хладагента R32 в атмосферу.

## 1. Меры предосторожности

- ▶ Перед установкой данного прибора, пожалуйста обязательно прочитайте все “Меры предосторожности”.
- ▶ Перед подключением оборудования к системе питания информируйте об этом вашу энергоснабжающую организацию или получите ее согласие.

## ПРЕДУПРЕЖДЕНИЕ:

Описаны меры предосторожности, которые необходимо соблюдать для предотвращения травмирования или смерти пользователя.

## ОСТОРОЖНО:

Описаны меры предосторожности, которые необходимо соблюдать для предотвращения поломки оборудования.

После окончания установочных работ проинструктируйте пользователя относительно правил эксплуатации и обслуживания аппарата, а также ознакомьте с разделом “Меры предосторожности” в соответствии с информацией, приведенной в Руководстве по использованию аппарата, и выполните тестовый прогон аппарата для того, чтобы убедиться, что он работает нормально. Обязательно передайте пользователю на хранение экземпляры Руководства по установке и Руководства по эксплуатации. Эти Руководства должны быть переданы и последующим пользователям данного прибора.





 : Указывает, что эта часть должна быть заземлена.

## ПРЕДУПРЕЖДЕНИЕ:

Внимательно прочтите текст на этикетках главного прибора.

Ⓞ : Указывает на предупреждения и предостережения при использовании хладагента R32.

## ЗНАЧЕНИЯ СИМВОЛОВ, ОТОБРАЖАЕМЫХ НА ВНУТРЕННЕМ И/ИЛИ НАРУЖНОМ БЛОКЕ

	<b>ПРЕДУПРЕЖДЕНИЕ</b> (опасность возгорания)	Данный символ применяется только для хладагента R32. Тип хладагента указывается на бирке наружного прибора. Если тип хладагента — R32, то в данном устройстве используется огнеопасный хладагент. В случае утечки хладагента и его контакта с огнем или источником тепла образуется вредный газ и возникнет опасность возгорания.
	Внимательно прочтите РУКОВОДСТВО ПО ЭКСПЛУАТАЦИИ перед началом эксплуатации.	
	Обслуживающий персонал обязан внимательно прочитать РУКОВОДСТВО ПО ЭКСПЛУАТАЦИИ и РУКОВОДСТВО ПО УСТАНОВКЕ перед началом работ.	
	Дополнительную информацию можно найти в РУКОВОДСТВЕ ПО ЭКСПЛУАТАЦИИ, РУКОВОДСТВЕ ПО УСТАНОВКЕ и аналогичных документах.	

## ПРЕДУПРЕЖДЕНИЕ:

- Запрещается самостоятельная установка устройства. Для установки и ремонта устройства обратитесь к дилеру или уполномоченному техническому специалисту. Неправильно выполненная установка устройства может привести к утечке воды, поражению электрическим током или возгоранию.
- Для установки и перемещения следуйте инструкциям, приведенным в Руководстве по установке, и используйте инструменты и трубные компоненты, специально предназначенные для использования с хладагентом R32. Если используются трубные компоненты, которые не предназначены для хладагента R32, и при этом блок установлен неправильно, может произойти разрыв труб, ведущий к повреждениям или травмам. Кроме того, в результате может произойти утечка воды, поражение электрическим током или возникнуть возгорание.
- Прибор должен быть установлен согласно инструкциям, чтобы свети к минимуму риск повреждения от землетрясений, тайфунов или сильных порывов ветра. Неправильно установленный прибор может упасть и причинить повреждение или нанести травму.
- Прибор должен быть установлен на конструкции, способной выдержать его вес. Если установить блок на неустойчивой конструкции, он может упасть и привести к повреждениям или травмам.
- Если воздушно-водяной тепловой насос установлен в небольшом помещении, необходимо принять меры для предотвращения концентрации хладагента свыше безопасных пределов в случае утечки хладагента. Обратитесь к дилеру по поводу соответствующих мер, которые необходимо принять во избежание превышения допустимой концентрации. В случае утечки хладагента и превышения его допустимой концентрации из-за нехватки кислорода в помещении может произойти несчастный случай.
- Если во время работы прибора произошла утечка хладагента, проверьте помещение. При контакте хладагента с пламенем образуются ядовитые газы.
- Все электроработы должны выполняться квалифицированным техническим специалистом в соответствии с местными правилами и инструкциями, приведенными в данном Руководстве. Питание устройств должно осуществляться от специально выделенных линий электропитания с соответствующим напряжением и использованием автоматических выключателей. Линии электропитания недостаточной мощности или неправильно выполненные электротехнические работы могут привести к поражению электрическим током или возгоранию.
- Используйте медный фосфор C1220 для бесшовных труб из меди и медного сплава для подключения труб хладагента. В случае неправильного подсоединения труб невозможно надлежащим образом заземлить блок, что может привести к поражению электрическим током.
- Данное устройство предназначено для использования специалистами или обученным персоналом в магазинах, на предприятиях легкой промышленности и фермах или для коммерческого применения непрофессионалами.
- Используйте для проводки указанные кабели. Убедитесь, что кабели надежно соединены, а оконечные соединения не натянуты. Никогда не соединяйте кабели внахлест (если иное не указано в прилагаемой документации). Несоблюдение этих инструкций может привести к перегреву или возгоранию.
- Во избежание создания опасной ситуации в случае повреждения шнура питания его следует заменить у производителя, или его сервисного представителя, или у лица аналогичной квалификации.
- Установку необходимо выполнять в соответствии с действующими правилами электробезопасности.
- Крышка клеммной колодки наружного прибора должна быть надежно присоединена к прибору. В случае неправильной установки крышки в устройство будут проникать пыль и влага, что может привести к поражению электрическим током или возгоранию.

# 1. Меры предосторожности

- При монтаже или перемещении, а также при обслуживании воздушно-водяного теплового насоса используйте только указанный хладагент (R32) для заполнения трубопроводов хладагента. Не смешивайте его ни с каким другим хладагентом и не допускайте наличия воздуха в трубопроводах.  
Наличие воздуха в трубопроводах может вызывать скачки давления, в результате которых может произойти взрыв или другие повреждения. Использование любого хладагента, отличного от указанного для этой системы, вызовет механическое повреждение, сбой в работе системы, или выход устройства из строя. В наихудшем случае, это может послужить серьезной преградой к обеспечению безопасной работы этого изделия.
- Используйте только те дополнительные принадлежности, на которые имеется разрешение от Mitsubishi Electric; для их установки обратитесь к дилеру или уполномоченному техническому специалисту. Неправильно установленные дополнительные принадлежности могут привести к утечке воды, поражению электрическим током или возгоранию.
- Не изменяйте устройство. Это может привести к возникновению пожара, поражению электротоком, травмам и подтеканию воды.
- Запрещается самостоятельный ремонт или перемещение прибора. Неправильно выполненная установка устройства может привести к утечке воды, поражению электрическим током или возгоранию. Если необходимо отремонтировать или переместить воздушно-водяной тепловой насос, обратитесь к дилеру или уполномоченному техническому специалисту.
- Если в холодильном контуре наблюдается утечка, НЕ используйте компрессор для откачки.
- При сливании хладагента, останавливайте компрессор до отключения труб с хладагентом. Попадание внутрь компрессора воздуха и т.п. может привести к взрыву.
- По окончании установки убедитесь в отсутствии утечки хладагента. Если хладагент проникнет в помещение и произойдет контакт его с пламенем обогревателя или переносного пищевого нагревателя, образуются ядовитых газов.
- Не используйте средства для ускорения размораживания и очистки, если они не рекомендованы производителем.
- Устройство должно храниться в помещении без непрерывно работающих источников воспламенения (например, открытого пламени, работающего газового прибора или электрического обогревателя).
- Не делайте отверстий путем сверления или прожигания.
- Имейте в виду, что хладагенты могут не иметь запаха.
- Не допускайте физического повреждения трубопроводов.
- Установка трубопроводов должна быть сведена к минимуму.
- Соблюдайте национальные нормативы, касающиеся газа.
- Не допускайте засорения предусмотренных вентиляционных отверстий.
- Не используйте легкоплавкий припой для пайки трубопроводов хладагента.
- Во время пайки обязательно проветривайте помещение. Убедитесь, что вокруг отсутствуют опасные или воспламеняющиеся материалы.  
При работе в закрытом, небольшом или другом аналогичном помещении перед выполнением работ убедитесь в отсутствии утечки хладагента. При утечке и накоплении хладагента он может загореться, или может выделяться токсичный газ.
- Устройство необходимо содержать в хорошо проветриваемом помещении, размеры которого соответствуют размерам помещения, указанным для эксплуатации.
- Не допускайте размещения газоиспользующих устройств, электрообогревателей и других очагов возгорания (источников возгорания) возле мест осуществления установки, ремонта и других работ с воздушно-водяным тепловым насосом.  
При контакте хладагента с огнем образуется токсичный газ.
- Запрещено курить во время работы и транспортировки.
- Не следует добавлять хладагент сверх максимального количества, предусмотренного для всех наружных блоков. Превышение максимального количества хладагента может при его разливе привести к пожару.

## 1.1. Перед установкой

### ОСТОРОЖНО:

- Запрещается использование устройства в несвойственной для него среде. Установка воздушно-водяного теплового насоса в местах, подверженных воздействию пара, летучих нефтепродуктов (в том числе машинного масла) или сернистых испарений, местах с повышенной концентрацией соли (например, на берегу моря) или местах, где прибор будет засыпан снегом, может привести к значительному снижению эффективности работы прибора или повреждению его внутренних частей.
- Не устанавливайте прибор в местах, где возможна утечка, возникновение, приток или накопление горючих газов. Если горючий газ будет накапливаться вокруг прибора, это может привести к возникновению пожара или взрыву.
- При нагреве наружный прибор выделяет конденсат. Необходимо обеспечить дренаж вокруг наружного прибора, если конденсат может привести к возникновению повреждений.
- При монтаже прибора в больнице или центре связи примите во внимание шумовое и электронное воздействие. Работа таких устройств, как инверторы, бытовые приборы, высокочастотное медицинское оборудование и оборудование радиосвязи, может вызвать сбой в работе воздушно-водяного теплового насоса или его поломку. Работа воздушно-водяного теплового насоса также может оказывать воздействие на работу медицинского оборудования, ухудшая медицинское обслуживание, и функционирование коммуникационного оборудования, вызывая искажение изображения на дисплее.

## 1.2. Перед установкой (перемещением)

### ОСТОРОЖНО:

- Будьте чрезвычайно осторожны при транспортировке или установке устройств. Прибор должны переносить два или более человека, поскольку он весит не менее 20 кг. Не поднимайте прибор за упаковочные ленты. При извлечении устройства из упаковки используйте защитные перчатки, поскольку можно повредить руки ребристыми деталями или кромками других частей устройства.
- Утилизируйте упаковочные материалы надлежащим образом. Упаковочные материалы, такие, как гвозди и другие металлические или деревянные части, могут поранить или причинить другие травмы.
- Основание и элементы крепления наружного прибора необходимо периодически проверять на предмет ослабления затяжки, трещин и прочих повреждений. Если не устранить эти дефекты, прибор может упасть и привести к повреждениям или травмам.
- Не мойте воздушно-водяной тепловой насос водой. Это может привести к поражению электрическим током.
- Затягивайте все хомуты на муфтах в соответствии со спецификациями, используя ключ с регулируемым усилием. Слишком сильно затянутая конусная гайка по прошествии некоторого времени может сломаться, что приведет к утечке хладагента.

## 1.3. Перед электрическими работами

### ОСТОРОЖНО:

- Обязательно установите автоматические выключатели. В противном случае возможно поражение электрическим током.
- Используйте для электропроводки стандартные кабели, рассчитанные на соответствующую мощность. В противном случае может произойти короткое замыкание, перегрев или пожар.
- При монтаже кабелей питания не прикладывайте растягивающих усилий. В случае ослабления соединений кабели могут порваться или поломаться, что может привести к их перегреву или возгоранию.
- Обязательно заземлите прибор. Запрещается подсоединять провод заземления к газовым и водопроводным трубам, молниеотводам или проводам заземления телефонной сети. Отсутствие надлежащего заземления может привести к поражению электрическим током.
- Используйте автоматические выключатели (прерыватель утечки тока на землю, разъединитель (плавкий предохранитель +V) и предохранитель корпуса) с указанным предельным током. Если предельный ток автоматического выключателя больше, чем необходимо, может произойти поломка или пожар.

# 1. Меры предосторожности

## 1.4. Перед тестовым прогоном

### **ОСТОРОЖНО:**

- Включайте главный выключатель питания не позднее, чем за 12 часов до начала эксплуатации. Запуск прибора сразу после включения выключателя питания может серьезно повредить внутренние части. Оставьте главный выключатель питания во включенном положении на время эксплуатации.
- Перед началом эксплуатации проверьте, что все пульты, щитки и другие защитные части правильно установлены. Вращающиеся, нагретые или находящиеся под напряжением части могут нанести травмы.
- Не прикасайтесь ни к каким выключателям влажными руками. Это может привести к поражению электрическим током.

- Не прикасайтесь к трубам с хладагентом голыми руками во время работы прибора. Трубы с хладагентом могут быть горячими или холодными, в зависимости от состояния протекающего хладагента. В случае прикосновения к трубам на коже могут образоваться ожоги или обмороженные участки.
- После остановки прибора обязательно подождите по крайней мере пять минут перед выключением главного выключателя питания. В противном случае возможна протечка воды или поломка прибора.

## 1.5. Использование воздушно-водяного теплового насоса с хладагентом R32

### **ОСТОРОЖНО:**

- Используйте медный фосфор S1220 для бесшовных труб из меди и медного сплава для подключения труб хладагента. Убедитесь, что внутренние поверхности труб чистые и не содержат вредных примесей, таких как серные соединения, окислители, мусор или пыль. Используйте трубы заданной толщины. (См. п. 4.1.) Обратите внимание на следующее при повторном использовании имеющихся труб, по которым подавался хладагент R22.
  - Необходимо заменить имеющиеся конусные гайки и повторно развальцевать конические участки.
  - Запрещается использование тонкостенных труб. (См. п. 4.1.)
- Трубы перед установкой должны храниться в помещении, при этом оба конца трубы должны быть герметично закрыты до самой пайки. (Коленчатые соединения и пр. должны быть в упаковке.) Попадание пыли, грязи и влаги в трубопроводы хладагента может привести к порче масла или поломке компрессора.
- Используйте синтетическое, эфирное или алкилбензолное масло (небольшое количество) в качестве охлаждающего масла для покрытия соединительных муфт. Смешивание минерального масла с охлаждающим может привести к порче масла.

- Обслуживание должно производиться только в соответствии с рекомендациями производителя.
- Запрещается использование какого-либо другого хладагента, кроме R32. В случае использования другого хладагента хлор может испортить масло.
- Используйте следующие инструменты, специально предназначенные для хладагента R32. При использовании хладагента R32 необходимы следующие инструменты. По всем вопросам обращайтесь к ближайшему дилеру.

Инструменты (для R32)	
Коллектор с измерителем	Развальцовочный инструмент
Заправочный шланг	Прибор для регулировки размеров
Детектор утечки газа	Насадка для вакуумного насоса
Тарированный ключ	Электронные весы для заправки хладагента

- Используйте надлежащие инструменты. Попадание пыли, грязи и влаги в трубопроводы хладагента может привести к порче охлаждающего масла.

## 2. Выбор места установки

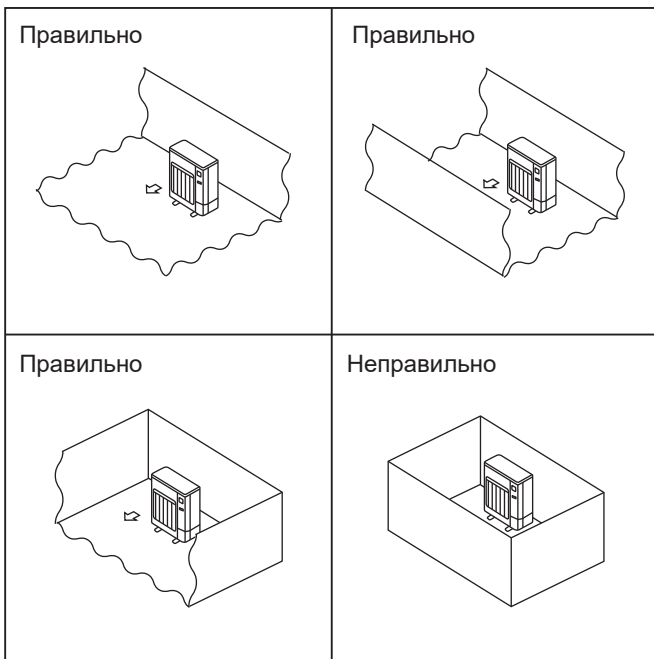


Fig. 2-1

### 2.1. Наружный прибор

- R32 тяжелее воздуха, а также других хладагентов, поэтому имеет тенденцию накапливаться у основания (рядом с полом). Если R32 накапливается вокруг основания, то он может достигать легковоспламеняющейся концентрации в небольшом помещении. Во избежание воспламенения нужно создать безопасную рабочую среду, обеспечив необходимую вентиляцию. Если утечка хладагента произошла в закрытом помещении или в помещении с недостаточной вентиляцией, следует воздержаться от использования источников огня, пока проблема с вентиляцией не будет решена.
  - Где нет воздействия сильного ветра.
  - Где поток воздуха достаточен и в воздухе нет пыли.
  - Где отсутствует возможность возникновения короткого воздушного цикла.
  - Где рабочий шум или теплый воздух не будет мешать соседям.
  - Где имеется прочная стена или опора для предотвращения увеличения рабочего шума или вибрации.
  - Где отсутствует риск утечки горячего газа.
  - При установке прибора на высоком уровне обязательно прикрепите ножки прибора.
  - По крайней мере на расстоянии в 3 м от антенны телевизора или радиоприемника. (В противном случае изображение может искажаться, или появятся помехи.)
  - Осуществляйте установку в таком месте, в котором прибор будет защищен от снегопада или метели. В местах с сильным снегом, пожалуйста, установите навес, цоколь и/или несколько отражательных перегородок.
  - Устанавливайте прибор горизонтально.
  - К соединению труб хладагента необходимо предусмотреть доступ для технического обслуживания.
- © Устанавливайте наружные приборы в достаточно большом пространстве без преград, либо так, чтобы, по крайней мере, одна из четырех сторон прибора была открыта. (Fig. 2-1)

### **ОСТОРОЖНО:**

Избегайте установки в следующих местах, в которых может произойти поломка воздушно-водяного теплового насоса.

- Места с большим количеством машинного масла.
- Районы с большим количеством соли, такие как побережье.
- Районы горячих ключей.
- Места с наличием сернистого газа.
- Другие места с особой атмосферой.

В режиме обогрева наружный прибор вырабатывает конденсат. Выберите такое место установки, чтобы на наружный прибор и/или основание не попадала дренажная вода.

## 2. Выбор места установки

### ©2.2. Минимальная площадь зоны установки

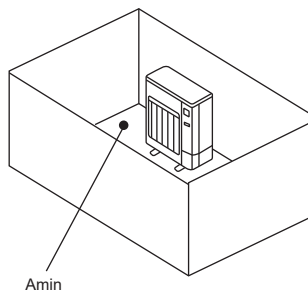
Если прибор все же устанавливается в пространстве, где все четыре стороны заблокированы или имеются преграды, необходимо выполнить требования одного из пунктов (А, В или С).

**Примечание:** Эти контрмеры предназначены для обеспечения безопасности, а не соблюдения спецификации.

А) Обеспечьте достаточное пространство для установки (минимальная площадь установки  $A_{min}$ ).

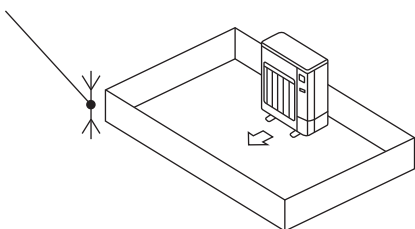
Устанавливайте прибор в пространстве с площадью, которая равна или превышает  $A_{min}$ , и соответствует количеству хладагента М (объем хладагента, заправляемый на заводе-изготовителе + объем хладагента, заправляемый на месте установки).

М [кг]	$A_{min}$ [м <sup>2</sup> ]
1,0	12
1,5	17
2,0	23
2,5	28
3,0	34
3,5	39
4,0	45
4,5	50
5,0	56
5,5	62
6,0	67
6,5	73
7,0	78
7,5	84

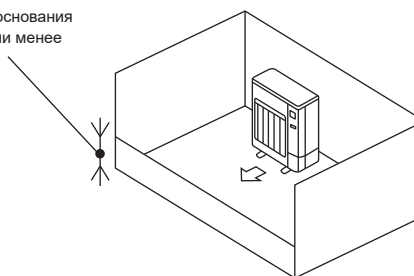


В) Устанавливайте прибор в пространстве, где высота преграды  $\leq 0,125$  [м].

Высота от основания  
0,125 [м] или менее



Высота от основания  
0,125 [м] или менее

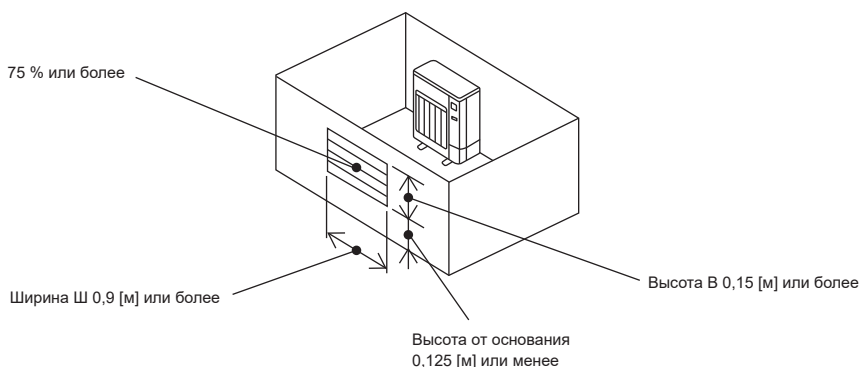


С) Создайте соответствующую открытую зону для вентиляции.

Убедитесь, что ширина открытой области составляет 0,9 [м] или более, а высота — 0,15 [м] или более.

Однако высота от основания пространства для установки до нижнего края открытой области должна составлять 0,125 [м] или менее.

Открытая площадь должна составлять 75 % или более.



**Примечание:** На внутренний прибор не распространяются ограничения на установку, связанные с использованием хладагента R32. Ознакомьтесь с руководством по установке внутреннего прибора и проверьте площадь, необходимую для установки.

### 3. Схема установки

#### 3.1. Наружный прибор (Fig. 3-1)

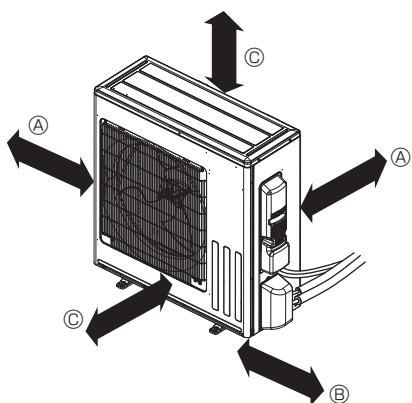
##### Вентиляция и сервисное пространство

- Ⓐ 100 мм или больше
- Ⓑ 350 мм или больше
- Ⓒ 500 мм или больше

При креплении трубопровода к стене с наличием металлов (белая жельсть) или металлической сетки, используйте химически обработанный деревянный брусok толщиной 20 мм или больше между стеной и трубопроводом или оберните трубопровод 7 - 8 витками изоляционной виниловой ленты.

Приборы должен устанавливать уполномоченный подрядчик с соблюдением требований местных постановлений.

- SUZ-SWM80VA2, SUZ-SWM80VAH2, SUZ-SWM100VA, SUZ-SWM100VAH, SUZ-SHWM60VAH



##### Примечание:

При эксплуатации воздушно-водяного теплового насоса при низкой температуре внешнего воздуха обязательно соблюдайте инструкции, приведенные ниже.

- Запрещается устанавливать наружный прибор в месте, в котором отверстие для впуска/выпуска воздуха будет подвержено прямому воздействию ветра.
- Для предотвращения воздействия ветра, устанавливайте наружный прибор так, чтобы отверстие для впуска воздуха было обращено к стене.
- Для предотвращения воздействия ветра рекомендуется установить отражательную перегородку со стороны отверстия для впуска воздуха наружного прибора.

- SUZ-SWM30VA, SUZ-SWM40VA2, SUZ-SWM60VA2, SUZ-SHWM30VAH, SUZ-SHWM40VAH

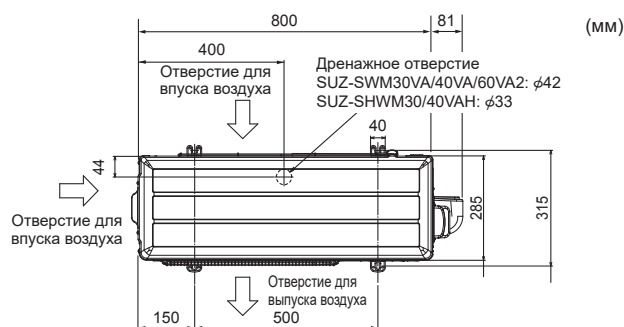
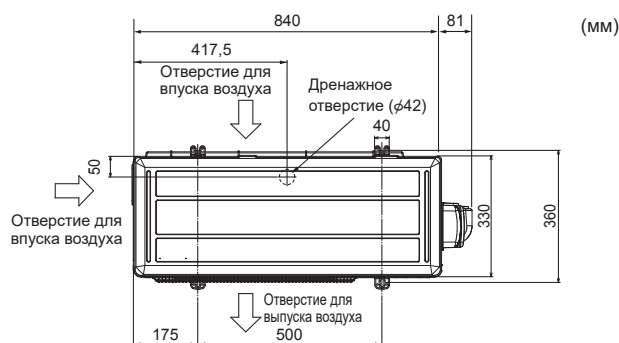
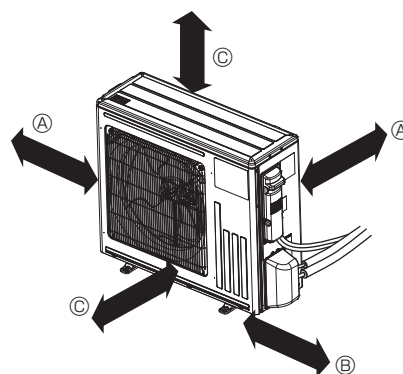


Fig. 3-1

### 4. Дренажный трубопровод для наружного прибора (Fig. 4-1)

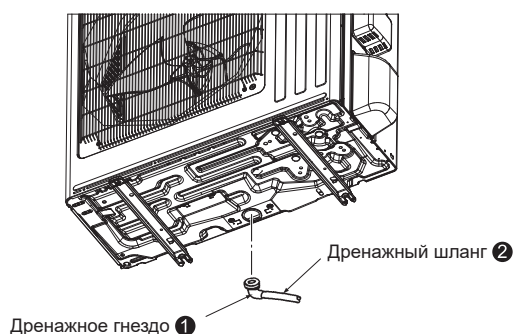


Fig. 4-1

#### 4.1. Принадлежности

Перед установкой проверьте следующие детали.

<Наружный прибор>

①	Дренажное гнездо	1
---	------------------	---

- Проложите дренажный трубопровод перед соединением трубопроводов внутреннего и наружного приборов. (Если осуществить соединение трубопроводов наружного прибора перед прокладкой дренажного трубопровода, установить дренажное гнездо ① будет трудно, так как наружный прибор станет неподвижным.)
- Подсоедините дренажный шланг ② (приобретается в магазине, внутренний диаметр: 15 мм), как показано на рисунке для дренажа.
- Обязательно проложите дренажный трубопровод с уклоном вниз для упрощения дренажного потока.

##### Примечание:

Не используйте дренажное гнездо ① в холодном регионе. Дренаж может замерзнуть, что приведет к останову вентилятора.

Дренажное гнездо не включено в комплект поставки устройств серии SHWM.



## 5. Работа с трубопроводом хладагента

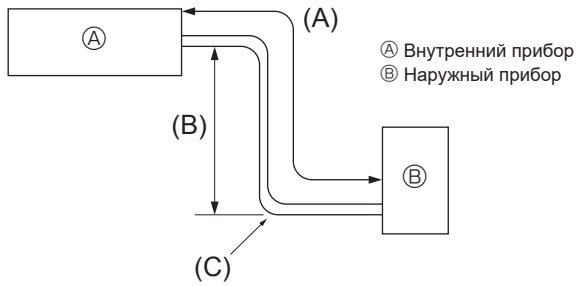


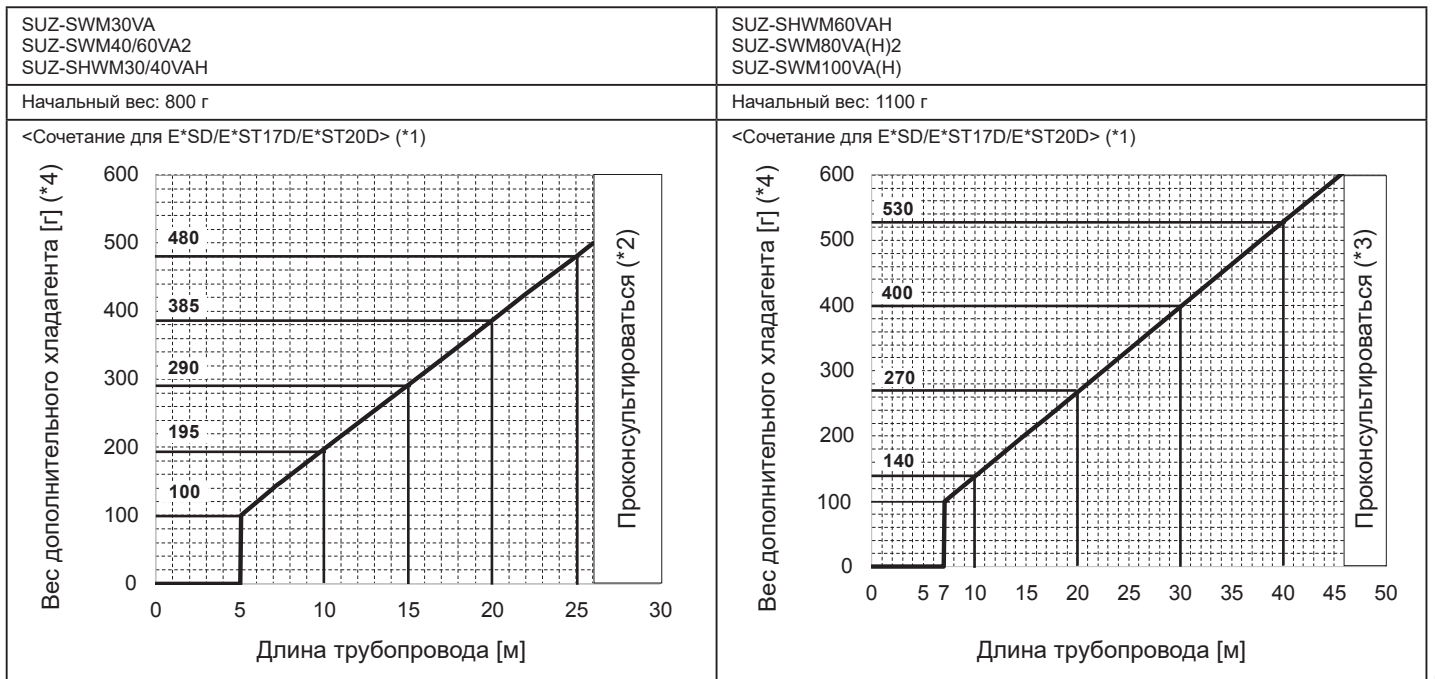
Fig. 5-1

### 5.1. Труба для хладагента (Fig. 5-1)

► Убедитесь, что разница высот внутреннего и наружного приборов, длина трубы для хладагента и количество изгибов в трубе находятся в диапазоне предельных значений, показанных ниже.

Модели	(A) Длина трубы (в одну сторону)	(B) Разница высот	(C) Количество изгибов (в одну сторону)
SUZ-SWM30VA	2 м - 26 м	макс. 26 м	макс. 10
SUZ-SHWM30VAH			
SUZ-SWM40VA2			
SUZ-SHWM40VAH			
SUZ-SWM60VA2	2 м - 46 м	макс. 30 м	
SUZ-SHWM60VAH			
SUZ-SWM80VA(H)2			
SUZ-SWM100VA(H)			

• Ограничения по разнице высот являются обязательными, независимо от того, какой из приборов, внутренний или наружный, расположен выше.



\*1. В случае присоединения к E\*ST30D, ВСЕГДА добавляйте 50 г к дополнительному весу в соответствии с графиками.

\*2. При длине трубопровода свыше 26 м обязательно проконсультируйтесь с нашим специалистом.

\*3. При длине трубопровода свыше 46 м обязательно проконсультируйтесь с нашим специалистом.

\*4. В случае полной заправки: начальный вес + вес дополнительного хладагента.

ru

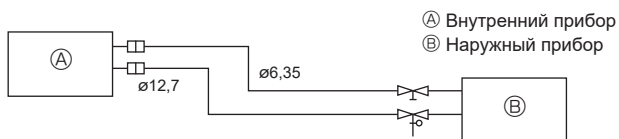


Fig. 5-2

(1) В таблице ниже приводятся технические характеристики труб, имеющихся в продаже. (Fig. 5-2)

Модель	Труба	Наружный диаметр		Мин. толщина стенки	Толщина изоляции	Материал изоляции
		мм	дюйм			
Все модели	Для жидкости	6,35	1/4	0,8 мм	8 мм	Теплостойкий пенопласт с удельной массой 0,045
	Для газа	12,7	1/2	0,8 мм	8 мм	

(2) Убедитесь в надлежащей изоляции 2 труб хладагента для предотвращения конденсации.

(3) Радиус изгиба трубы для хладагента должен быть не менее 100 мм.

### ⚠ ОСТОРОЖНО:

Тщательно нанесите изоляцию указанной толщины. Чрезмерная толщина препятствует хранению за внутренним прибором, а недостаточная толщина приводит к стеканию капель росы.

- Для предотвращения воспламенения обязательно используйте соответствующую вентиляцию. Кроме того, необходимо предпринять противопожарные меры и убедиться, что поблизости отсутствуют опасные или легковоспламеняющиеся объекты.
- Заполнение хладагентом R32 при техническом обслуживании: перед заполнением оборудования хладагентом R32 необходимо исключить риск взрыва от искрового разряда путем отключения на 100% оборудования от сети электропитания.
- Изоляционные материалы должны соответствовать указанным ниже техническим характеристикам.
  - (1) Коэффициент теплопередачи: 0,040 Вт/(м·К) или меньше
  - (2) Толщина изоляции: 9 мм или больше
  - (3) Теплостойкость: 110 °С или больше
 Если длина трубопровода снаружи превышает 15 м, толщина изоляции должна составлять не менее 18 мм.

## 5. Работа с трубопроводом хладагента

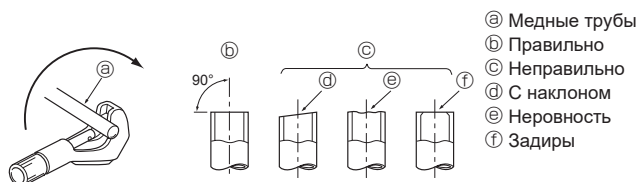


Fig. 5-3

- Ⓐ Медные трубы
- Ⓑ Правильно
- Ⓒ Неправильно
- Ⓓ С наклоном
- Ⓔ Неровность
- Ⓕ Задир

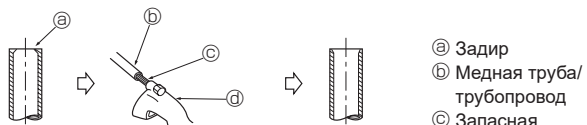


Fig. 5-4

- Ⓐ Задир
- Ⓑ Медная труба/ трубопровод
- Ⓒ Запасная развертка
- Ⓓ Труборез

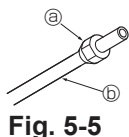


Fig. 5-5

- Ⓐ Конусная гайка
- Ⓑ Медная труба

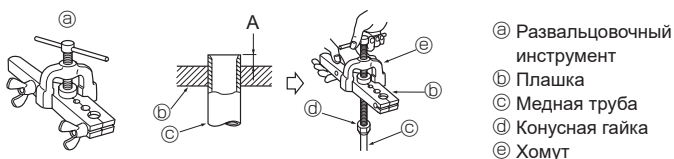


Fig. 5-6

- Ⓐ Развальцовочный инструмент
- Ⓑ Плашка
- Ⓒ Медная труба
- Ⓓ Конусная гайка
- Ⓔ Хомут

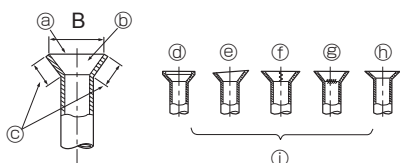


Fig. 5-7

### 5.2. Развальцовка

- Основной причиной утечки газа является неправильная развальцовка. Осуществите надлежащую развальцовку в соответствии со следующей процедурой.

#### 5.2.1. Резка труб (Fig. 5-3)

- Используя труборез, разрежьте медные трубы надлежащим образом.

#### 5.2.2. Удаление задигов (Fig. 5-4)

- Полностью удалите все задиры с поперечного сечения трубопровода/ трубы.
- Наклоните конец медной трубы/трубопровода вниз при удалении задигов, чтобы задиры не падали в трубу.

#### 5.2.3. Закручивание гаек (Fig. 5-5)

- Открутите конусные гайки, прикрепленные к внутреннему и наружному прибору, затем закрутите их на трубопровод/трубу после удаления задигов. (после развальцовки их закрутить нельзя)

#### 5.2.4. Развальцовка (Fig. 5-6)

- Осуществите развальцовку с помощью развальцовочного инструмента, как показано слева.

Трубный диаметр (мм)	Размер	
	A (мм)	B <sup>+0</sup> <sub>-0,4</sub> (мм)
	Если используется инструмент для R32A Тип сцепления	
6,35	0 – 0,5	9,1
9,52	0 – 0,5	13,2
12,7	0 – 0,5	16,6
15,88	0 – 0,5	19,7

Надежно закрепите медную трубу в держателе с соблюдением расстояния, указанного в таблице выше.

#### 5.2.5. Проверка (Fig. 5-7)

- Сравните развальцовку с рисунком слева.
- Если развальцовка имеет дефект, отрежьте развальцованную часть и осуществите развальцовку заново.

- Ⓐ Гладкость по всему кругу
- Ⓑ Отполировано до блеска внутри, без царапин
- Ⓒ Одинаковая длина по всему кругу
- Ⓓ Слишком много
- Ⓔ С наклоном
- Ⓕ Царапина на развальцованной плоскости
- Ⓖ Трещина
- Ⓗ Неровность
- Ⓘ Плохие примеры

- Нанесите тонкий слой хладагента на посадочную поверхность трубопровода. (Fig. 5-8)
- Для подсоединения, сначала совместите центр, затем затяните конусную гайку на первые 3 – 4 оборота.
- В качестве рекомендации для секции стыка со стороны внутреннего прибора используйте таблицу с указанием крутящего момента затяжки ниже, и осуществите затяжку с использованием двух гаечных ключей. Чрезмерная затяжка повредит конусную секцию.

Наружный диаметр медной трубы (мм)	Наружный диаметр конусной гайки (мм)	Момент затяжки (Нм)
ø6,35	17	14 – 18
ø9,52	22	34 – 42
ø12,7	26	49 – 61
ø15,88	29	68 – 82

### ⚠ ПРЕДУПРЕЖДЕНИЕ:

При установке прибора, надежно подсоедините трубы с хладагентом до запуска компрессора.

### ⚠ ПРЕДУПРЕЖДЕНИЕ:

Будьте осторожны, конусная гайка может вылететь! (Внутреннее давление)

Снимите конусную гайку следующим образом:

1. Откручивайте гайку, пока не услышите шипение.
2. Не снимайте гайку до полного стравливания газа (т.е., до исчезновения шипения).
3. Убедитесь в том, что газ полностью стравлен, затем снимите гайку.

## 5. Работа с трубопроводом хладагента

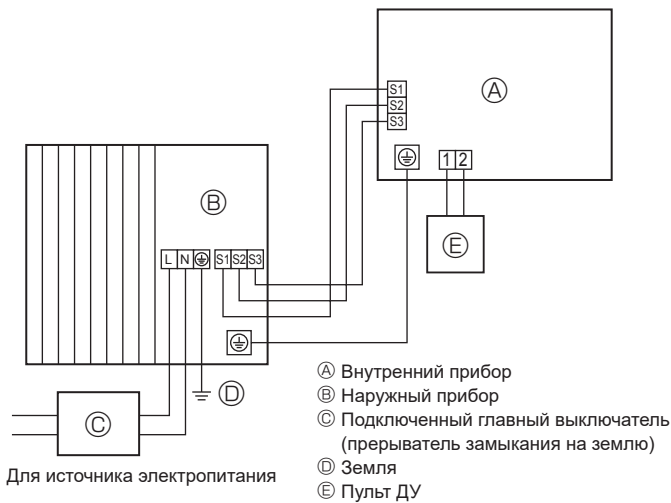
### 5.3. Испытание на герметичность и процедуры продувки



## 6. Работы по электромонтажу

### 6.1. Наружный прибор (Fig. 6-1, Fig. 6-2, Fig. 6-3)

- ① Снимите сервисную панель.
  - ② Проложите кабели в соответствии с Fig. 6-1, Fig. 6-2 и Fig. 6-3.
- SUZ-SHWM60VAH, SUZ-SWM80VA(H)2, SUZ-SWM100VA(H)



■ SUZ-SHWM30/40VAH, SUZ-SWM30VA, SUZ-SWM40/60VA2

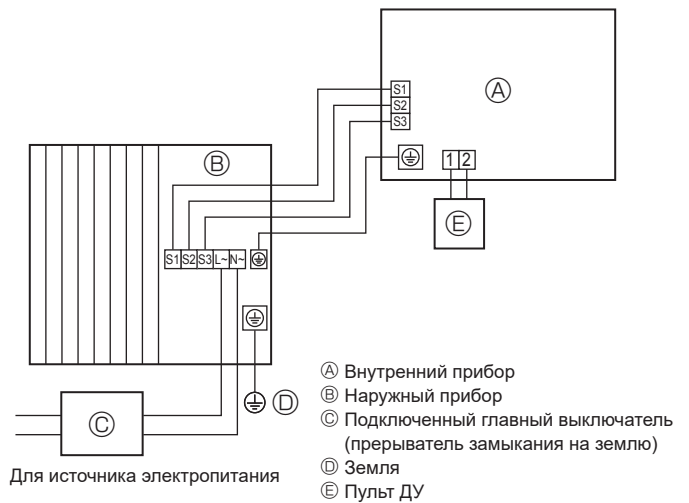


Fig. 6-1

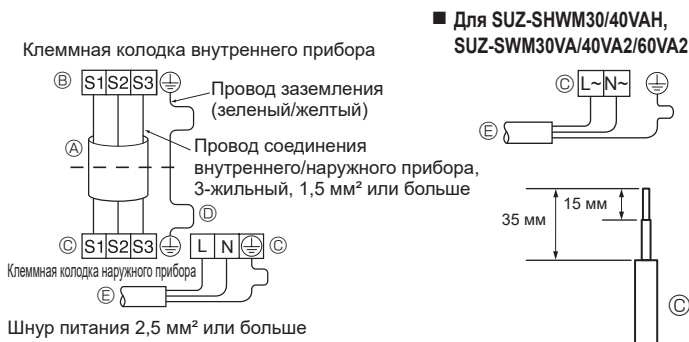
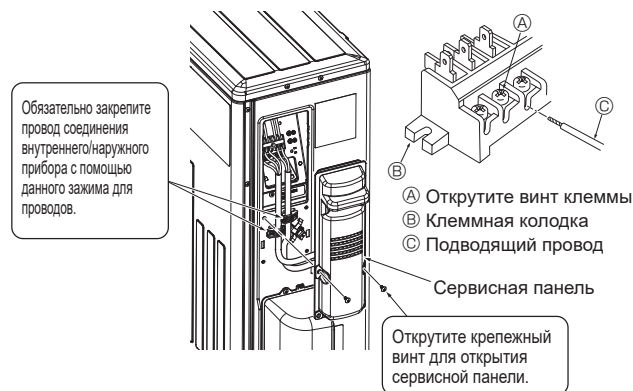


Fig. 6-2

■ SUZ-SWM30VA, SUZ-SWM40VA2, SUZ-SWM60VA2, SUZ-SHWM30VAH, SUZ-SHWM40VAH



■ SUZ-SWM80VA2, SUZ-SWM100VA, SUZ-SWM80VAH2, SUZ-SWM100VAH, SUZ-SHWM60VAH

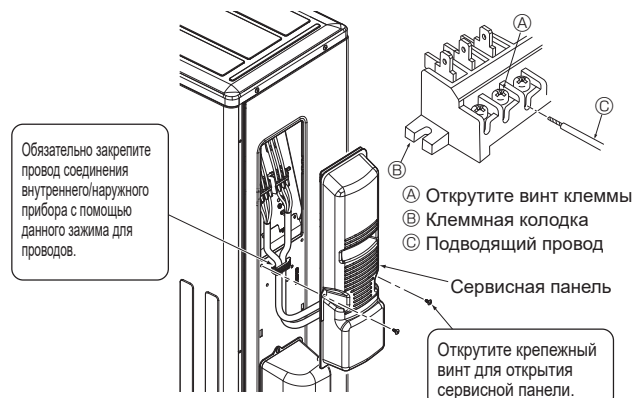


Fig. 6-3

- Проложите проводку в соответствии со схемой слева внизу. (Приобретите кабель на месте) (Fig. 6-2)
- Обязательно используйте только кабели с правильной полярностью.
- А Соединительный кабель
- Б Клеммная колодка внутреннего прибора
- В Клеммная колодка наружного прибора
- Д Всегда устанавливайте кабель заземления, длина которого превышает длину других кабелей.
- Е Шнур электропитания
- Ф Подводящий провод

- Провод заземления должен быть немного длиннее других. (Длиннее примерно на 100 мм)
- Для облегчения проведения техобслуживания в будущем оставьте припуск длины соединительных проводов.
- Обязательно присоедините каждый винт к соответствующей клемме при фиксации шнура и/или провода к клеммному блоку.

- Подключите кабель от внутреннего прибора к клеммной колодке надлежащим образом.
- Используйте ту же клеммную колодку и полярность, которые используются для внутреннего прибора.
- Для последующего техобслуживания необходимо обеспечить дополнительную длину соединительного кабеля.

- Оба конца соединительного кабеля (удлинительный провод) оголены. При избыточной длине или при подключении путем врезки посередине, оголите кабель электропитания до величины, показанной на рисунке.
- Соблюдайте осторожность для предотвращения контакта соединительного кабеля с трубопроводом.

### ⚠ ОСТОРОЖНО:

- Будьте внимательны и подключайте провода правильно.
- Крепко затягивайте винты клемм для предотвращения их раскручивания.
- После затяжки слегка потяните за провода, чтобы убедиться, что они не двигаются.

### ⚠ ПРЕДУПРЕЖДЕНИЕ:

- Обязательно надежно прикрепите сервисную панель наружного прибора. Неправильное крепление может привести к возникновению пожара и поражению электрическим током из-за попадания пыли, воды и т. д.
- Крепко затяните винты клемм.
- Проводку следует располагать так, чтобы силовые линии не были напряженными. В противном случае может генерироваться тепло или произойти пожар.

## 6. Работы по электромонтажу

### 6.2. Работы по электромонтажу на месте

Модель наружного прибора		SUZ-SHWM30VAH/40VAH SUZ-SWM30VA/40VA2/60VA2	SUZ-SHWM60VAH SUZ-SWM80VA(H)2/SWM100VA(H)
Источник электропитания наружного прибора		~/N (одна), 50 Гц, 230 В	~/N (одна), 50 Гц, 230 В
Входной номинал наружного прибора		16 А	20 А
Проводка, № провода × сечение (мм <sup>2</sup> )	Источник электропитания наружного прибора	2 × мин. 2,5	2 × мин. 2,5
	Заземление источника электропитания наружного прибора	1 × мин. 2,5	1 × мин. 2,5
	Внутренний прибор - наружный прибор	3 × 1,5 (полярный)	3 × 1,5 (полярный)
	Заземление внутреннего прибора - наружного прибора	1 × мин. 1,5	1 × мин. 1,5
Номинал цепи	Наружный прибор L-N	*2 230 Вольт перем. тока	230 Вольт перем. тока
	Внутренний прибор - Наружный прибор S1-S2	*2 230 Вольт перем. тока	230 Вольт перем. тока
	Внутренний прибор - Наружный прибор S2-S3	*2 12 – 24 В пост. тока	12 – 24 В пост. тока

\*1. Необходимо установить прерыватель с разделением контактов, по меньшей мере, в 3 мм на каждом из выводов. Используйте прерыватель утечки на землю (NV). Убедитесь в том, что используемый прерыватель утечки тока совместим с более высокой гармоникой.

Всегда пользуйтесь прерывателем утечки тока, так как данный прибор оборудован инвертором.

Прерыватель утечки тока, несовместимый с более высокой гармоникой, может стать причиной неправильной работы инвертора.

\*2. Цифры HE всегда указаны относительно заземления.

На клемме S3 24 Вольт пост. тока относительно клеммы S2. Однако между S3 и S1, эти клеммы HE являются электрически изолированными трансформатором или другим устройством.

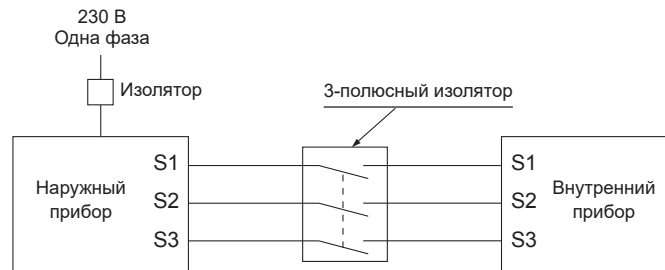
Примечания: 1. Сечение проводов должно соответствовать применимым местным и национальным нормам.

2. Шнуры электропитания и провода соединений внутреннего/наружного приборов должны быть не легче полихлоропропенового гибкого шнура в оплетке. (Конструкция 60245 IEC 57)

3. Длина устанавливаемого кабеля заземления должна превышать длину других кабелей.

4. Для проводки электропитания используйте самозатухающие распределительные кабели.

5. Проложите электропроводку надлежащим образом, избегая контакта с кромкой листового металла или кончиком винта.



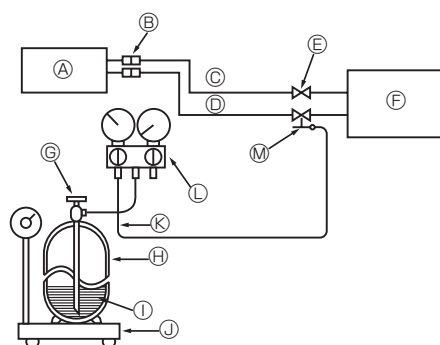
### ⚠ ПРЕДУПРЕЖДЕНИЕ:

На клемме S3 присутствует потенциал высокого напряжения, вызванный конструкцией электрической цепи, в которой отсутствует электрическая изоляция между линией электропередачи и линией передачи сигналов. Поэтому основной источник питания необходимо выключать при обслуживании. Не дотрагивайтесь до клемм S1, S2, S3 при включении питания. Если между внутренним прибором и наружным прибором необходимо использовать изолятор, используйте изолятор 3-полюсного типа.

Никогда не подсоединяйте внахлест силовой кабель или соединительный кабель внешнего питания. Это может привести к задымлению, возгоранию или неисправности.

Обязательно подключите соединительные кабели между внутренним и наружным приборами непосредственно к устройствам (без промежуточных соединений). Использование промежуточных соединений может привести к ошибке связи, если вода проникнет в кабели и приведет к недостаточной изоляции на землю или станет причиной плохого электрического контакта в промежуточной точке подключения.

## 7. Техобслуживание



- А Внутренний прибор
- Б Муфта
- В Жидкостная труба
- Г Газовая труба
- Д Запорный клапан
- Е Наружный прибор
- Ж Рабочий клапан баллона с газообразным хладагентом
- З Баллон с газообразным хладагентом для R32 с сифоном
- И Хладагент (жидкий)
- К Электронная шкала загрузки хладагента
- Л Загрузочный шланг (для R32)
- М Клапан коллектора манометра (для R32)
- Н Сервисный порт

Fig. 7-1

### 7.1. Загрузка газа (Fig. 7-1)

- Подсоедините газовый баллон к сервисному порту запорного клапана (3-ходовой).
- Выполните продувку трубы (или шланга) воздухом, подаваемым из баллона с газообразным хладагентом.
- Добавьте указанное количество хладагента, включив воздушно-водяной тепловой насос в режиме охлаждения.

Примечание:

В случае добавления хладагента, используйте количество, указанное для цикла охлаждения.

### ⚠ ОСТОРОЖНО:

- Не выпускайте хладагент в атмосферу. Следите за тем, чтобы не выпустить хладагент в атмосферу при установке, повторной установке или ремонте контура охлаждения.
- При дополнительной загрузке, осуществите загрузку хладагента из жидкой фазы газового баллона. Если загрузить хладагент из газовой фазы, в хладагенте внутри цилиндра и в наружном приборе может произойти изменение состава. В данном случае, либо снизится производительность контура охлаждения, либо обычная работа будет невозможна. Однако загрузка всего жидкого хладагента за один раз может привести к блокировке компрессора. Поэтому хладагент необходимо загружать медленно.

Для поддержания высокого давления в газовом цилиндре, подогревайте газовый баллон теплой водой (до 40°C) в холодный сезон. Но пользоваться источником открытого огня или паром запрещается.

## 8. Прокладка водопроводных труб

### 8.1. Минимальный объем воды

Обратитесь к руководству по установке внутреннего прибора.

### 8.2. Допустимый диапазон (расход воды, температура обратной воды)

Убедитесь, что значения расхода и температуры обратного потока в водном контуре находятся в приведенных ниже диапазонах.

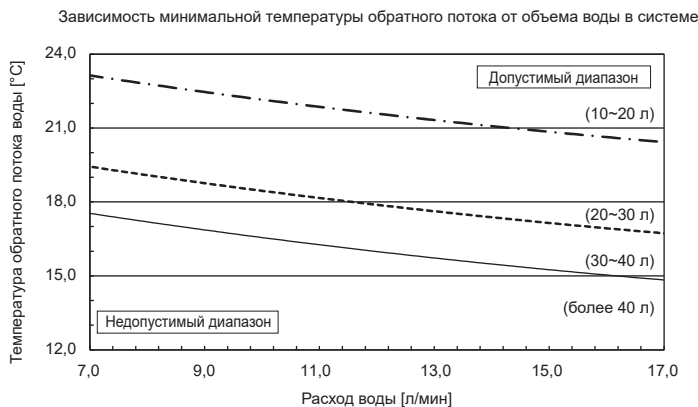
Эти кривые связаны с объемом воды.

#### ■ Обогрев

SUZ-SWM30VA SUZ-SHWM30VAH

SUZ-SWM40VA2 SUZ-SHWM40VAH

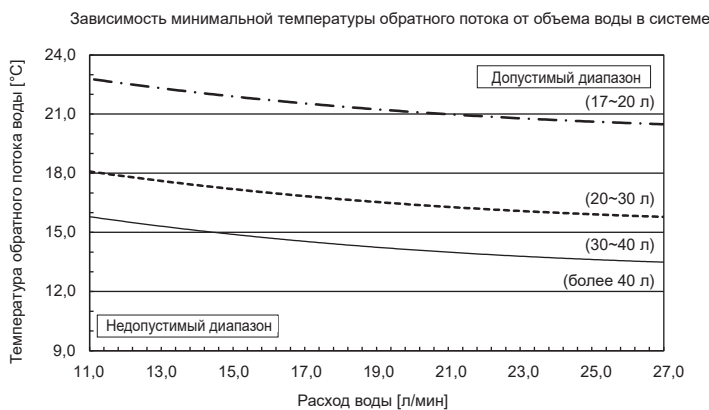
SUZ-SWM60VA2



SUZ-SWM80VA(H)2

SUZ-SWM100VA(H)

SUZ-SHWM60VAH



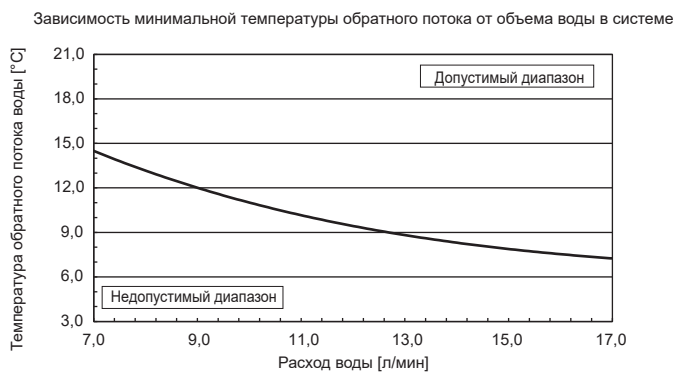
#### Примечание:

- При разморозке старайтесь, чтобы все параметры находились в допустимых диапазонах. В противном случае наружный блок будет недостаточно разморожен и/или теплообменник внутреннего блока замерзнет.
- Температура потока всегда ДОЛЖНА быть НЕ ниже 32 °C, если температура вне помещения опустилась ниже -15 °C. Возможно замерзание и повреждение пластинчатого теплообменника, а также замерзание наружного теплообменника из-за недостаточной разморозки.

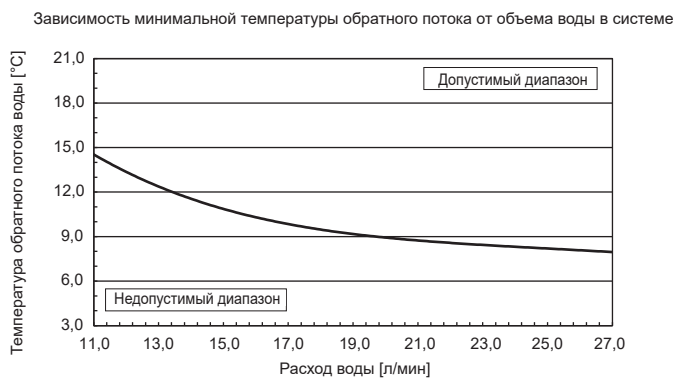
## 8. Прокладка водопроводных труб

### ■ Охлаждение

SUZ-SWM30VA SUZ-SHWM30VAH  
SUZ-SWM40VA2 SUZ-SHWM40VAH  
SUZ-SWM60VA2



SUZ-SWM80VA(H)2  
SUZ-SWM100VA(H)  
SUZ-SHWM60VAH



#### Примечание:

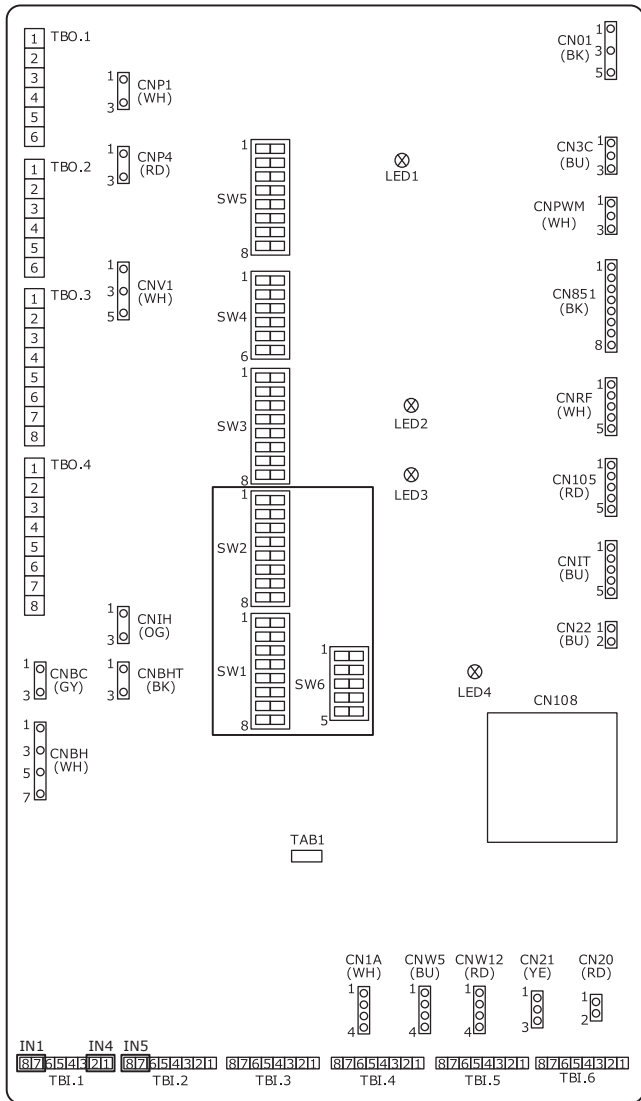
При разморозке старайтесь, чтобы все параметры находились в допустимых диапазонах.

В противном случае наружный блок будет недостаточно разморожен и/или теплообменник внутреннего блока замерзнет.

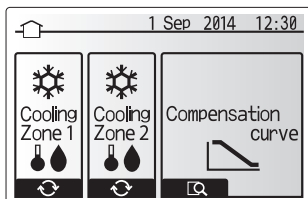
## 9. Откачка

При установке на новом месте или утилизации наружного прибора, выполните откачку системы в соответствии с процедурой ниже, чтобы в атмосферу не попал хладагент.

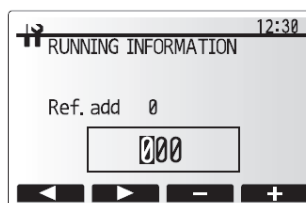
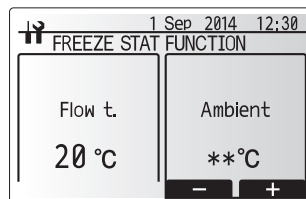
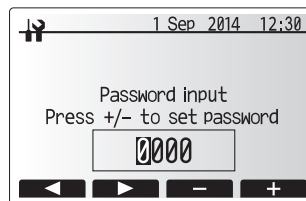
- ① Отключите всю линию питания (включая внутренний прибор, обогреватель, наружный прибор и т.д.)
- ② Подключите клапан коллектора с измерителем к сервисному порту стопорного клапана на стороне трубы для газа наружного прибора.
- ③ Полностью закройте стопорный клапан на стороне трубы для жидкости наружного прибора.
- ④ Измените настройки внутреннего прибора.
  - Установите DIP-переключатель SW1-3 в положение OFF (ВЫКЛ.), SW2-1 в положение OFF (ВЫКЛ.), SW2-4 в положение ON (ВКЛ.) и SW6-3 в положение OFF (ВЫКЛ.) на панели управления внутренним прибором.
  - Отключите сигнальные входы IN1 (вход термостата помещения 1), IN4 (вход регулирования нагрузки) и IN5 (вход наружного термостата).



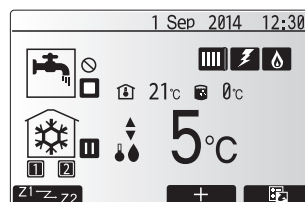
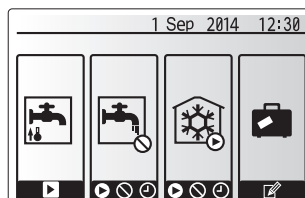
- ⑤ Включите всю линию питания.
- ⑥ В главном меню главного контроллера внутреннего прибора выберите "Heating/cooling mode" (Режим нагрева/охлаждения) → "Cooling flow temp." (Темп. потока охлаждения).



- ⑦ В главном меню выберите "Service" (Обслуживание) и измените настройку, как показано ниже. Появится запрос на ввод пароля. ЗАВОДСКОЙ ПАРОЛЬ ПО УМОЛЧАНИЮ – "0000".
  - Выберите "Operation settings" (Рабочие настройки) → "Freeze stat function" (Функция морозозащитного термостата), а затем установите для минимальной наружной температуры окружающей среды значок \* (звездочка).
  - Выберите "Running information" (Информация о работе), а затем установите для поля "Reference address" (Базовый адрес) значение 351.



- ⑧ Выполните процедуру сбора хладагента.
  - Нажмите кнопку "ON/OFF" (ВКЛ./ВЫКЛ.) на главном контроллере.
  - В меню с выбором позиций установите "Cooling ON" (Охлаждение ВКЛ.).
  - Установите заданную температуру на 5 °C. Если система управляется от комнатного термостата, установите заданную температуру на 10 °C. Операция по сбору хладагента начнется через 60 секунд.
  - Более подробную и иную информацию о настройках главного контроллера можно найти в руководстве по установке или руководстве по эксплуатации внутреннего прибора.



Продолжение на следующей странице.



## 9. Откачка

- ⑨ Полностью закройте запорный клапан со стороны газовой трубы наружного прибора, когда стрелка на манометре будет находиться в диапазоне 0,05 - 0 МПа [манометр] (ок. 0,5 - 0 кгс/см<sup>2</sup>), и быстро остановите наружный прибор.
- Для останова наружного прибора нажмите кнопку "ON/OFF" (ВКЛ./ВЫКЛ.) на пульте ДУ.
  - \* Если удлинительная трубка слишком длинная и в ней содержится большое количество хладагента, выполнение процедуры откачки может оказаться невозможным. В этом случае для сбора хладагента со всей системы используйте оборудование для сбора хладагента.
- ⑩ Установите на главном контроллере прежние настройки, которые были изменены ранее в пункте ⑧, описанном выше.
- ⑪ Нажмите и удерживайте кнопку "ON/OFF" (ВКЛ./ВЫКЛ.) на главном контроллере внутреннего прибора в течение примерно 3 секунд для останова прибора.
- ⑫ Установите на главном контроллере прежние настройки, которые были изменены ранее во всех пунктах кроме ⑧.
- \* Как вернуть настройку "Running information" (Информация о работе): установите для поля "Reference address" (Базовый адрес) значение 350.
- ⑬ Отключите всю линию питания и установите DIP-переключатели на печатной плате внутреннего прибора в прежнее положение, как они были установлены ранее.
- ⑭ Демонтируйте клапан коллектора манометра, а затем отсоедините трубки подачи хладагента.



### ПРЕДУПРЕЖДЕНИЕ:

Если в холодильном контуре наблюдается утечка, НЕ используйте компрессор для откачки.

При откачке хладагента, прежде чем отсоединить трубки подачи хладагента, следует остановить компрессор.

- Если трубки подачи хладагента отсоединены во время работы компрессора и при открытом запорном (шаровом) клапане, давление в контуре охлаждения может резко возрасти при поступлении воздуха и привести к разрыву трубок, телесному повреждению и т.п.



### ОСТОРОЖНО:

НЕ используйте этот режим ОХЛАЖДЕНИЯ при подключении к внутреннему блоку, который не позволяет использовать режим ОХЛАЖДЕНИЯ для любых потребностей, кроме откачки.

## 10. Технические характеристики

Наружный прибор		SUZ-SWM30VA	SUZ-SHWM30VAH	SUZ-SWM40VA2	SUZ-SHWM40VAH	SUZ-SWM60VA2
Питание	В / кол-во фаз / Гц	230 / одна / 50				
Размеры (Ш × В × Г)	мм	800 × 714 × 285				
Уровень мощности шума (нагрев)	*1 дБ(А)	57	57	57	58	60
	*2 дБ(А)	54	54	54	55	56

Наружный прибор		SUZ-SHWM60VAH	SUZ-SWM80VA(H)2	SUZ-SWM100VA(H)
Питание	В / кол-во фаз / Гц	230 / одна / 50		
Размеры (Ш × В × Г)	мм	840 × 880 × 330		
Уровень мощности шума (нагрев)	*1 дБ(А)	60	60	62
	*2 дБ(А)	58	59	60

\*1. Измерение выполнено при номинальной рабочей частоте и температуре окружающей среды 7 °С (по сухому термометру) / 6 °С (по влажному термометру) и температуре воды на выходе 55 °С

\*2. Измерение выполнено в соответствии с требованиями стандарта EN12102 согласно условиям стандарта EN14825

## 11. Серийный номер

■ Серийный номер указан на ЗАВОДСКОЙ ТАБЛИЧКЕ.



Порядковый номер каждого прибора: 00001–99999

P (НАРУЖНЫЙ ПРИБОР)

Месяц изготовления: 1, 2, 3, 4, 5, 6, 7, 8, 9, X (10), Y (11), Z (12)

Год изготовления (по западному календарю): 2022 → 22, 2023 → 23

EU DECLARATION OF CONFORMITY  
EU-KONFORMITÄTSEKTLÄRUNG  
DÉCLARATION DE CONFORMITÉ UE  
EU-CONFORMITEITSVERKLARING  
DECLARACIÓN DE CONFORMIDAD UE  
DICHIARAZIONE DI CONFORMITÀ UE  
ΔΗΛΩΣΗ ΣΥΜΜΟΡΦΩΣΗΣ ΕΕ  
DECLARAÇÃO DE CONFORMIDADE UE  
EU-OVERENSSTEMMELSESEKTLÆRING

EG-DEKLARATION OM ÖVERENSSTÄMMELSE  
AV UYGUNLUK BEYAN  
ДЕКЛАРАЦИЯ СООТВЕТСТВИЯ НОРМАМ ЕС  
ДЕКЛАРАЦІЯ ВІДПОВІДНОСТІ ВИМОГАМ ЄС  
ЕС ДЕКЛАРАЦІЯ ЗА СЪОТВЕТСТВИЕ  
DEKLARACJA ZGODNOŚCI UE  
EU-ERKLÆRING OM SAMSVAR  
EU-VAATIMUSTENMUKAISUUSVAKUUTUS  
EU PROHLÁŠENÍ O SHODĚ

EÚ VYHLÁŠENIE O ZHODE  
EU MEGFELELŐSÉGI NYILATKOZAT  
IZJAVA EU O SKLADNOSTI  
DECLARAȚIE DE CONFORMITATE UE  
EL-I VASTAVUSDEKLARATSIOON  
ES ATBILSTĪBAS DEKLARĀCIJA  
ES ATITIKTIES DEKLARACIJA  
EU IZJAVA O SUKLADNOSTI  
EU IZJAVA O USAGLAŠENOSTI

**MITSUBISHI ELECTRIC CONSUMER PRODUCTS (THAILAND) CO., LTD**  
**700/406 MOO 7, TAMBON DON HUA ROH, AMPHUR MUANG, CHONBURI 20000, THAILAND**

hereby declares under its sole responsibility that the air conditioner(s) and heat pump(s) for use in residential, commercial, and light-industrial environments described below:  
erklärt hiermit auf seine alleinige Verantwortung, dass die Klimaanlage(n) und Wärmepumpe(n) für das häusliche, kommerzielle und leichtindustrielle Umfeld wie unten beschrieben:  
déclare par la présente et sous sa propre responsabilité que le(s) climatiseur(s) et la/les pompe(s) à chaleur destinés à un usage dans des environnements résidentiels, commerciaux et d'industrie légère décrits ci-dessous :  
verklaart hierbij onder eigen verantwoordelijkheid dat de voor huishoudelijke, handels- en lichtindustriële omgevingen bestemde airconditioner(s) en warmtepomp(en) zoals onderstaand beschreven:

por la presente declara, bajo su exclusiva responsabilidad, que el(los) acondicionador(es) de aire y la(s) bomba(s) de calor previsto(s) para su uso en entornos residenciales, comerciales y de industria ligera que se describen a continuación:

conferma con la presente, sotto la sua esclusiva responsabilità, che i condizionatori d'aria e le pompe di calore destinati all'utilizzo in ambienti residenziali, commerciali e semi-industriali e descritti di seguito:

με το παρόν δηλώνει με αποκλειστική ευθύνη ότι το ή τα κλιματιστικά και η ή οι αντλίες θερμότητας για χρήση σε οικιακά, εμπορικά και επαγγελματικά περιβάλλοντα που περιγράφονται παρακάτω:

declara pela presente, e sob sua exclusiva responsabilidade, que o(s) aparelho(s) de ar condicionado e a(s) bomba(s) de calor destinados a utilização em ambientes residenciais, comerciais e de indústria ligeira descritos em seguida:

erklærer hermed under eneansvar, at det/de herunder beskrevne airconditionanlæg og varmepumpe(r) til brug i beboelses- og erhvervs miljøer samt i miljøer med let industri:

intyggar härmed att luftkonditioneringarna och värmepumparna som beskrivs nedan för användning i bostäder, kommersiella miljöer och lätta industriella miljöer:

ev, ticaret ve hafif sanayi ortamlarında kullanıma yönelik aşağıda açıklanan klima ve ısıtma pompalarıyla ilgili aşağıdaki hususları yalnızca kendi sorumluluğunda olmak üzere beyan eder:

настоящим заявляет под свою исключительную ответственность, что кондиционер (-ы) и тепловой (-ые) насос (-ы) для использования в описанных ниже жилых, коммерческих и небольших складских и промышленных помещениях:

цим заявляю, беручи на себе повну відповідальність за це, що кондиціонер (-и) й тепловий (-и) насос (-и), описані нижче й призначені для використання в житлових приміщеннях, торговельних залах і на підприємствах легкої промисловості:

декларира с настоящата на своя собствена отговорност, че климатикъ(т)е и термомпата(ите), посочени по-долу и предназначени за употреба в жилищни, търговски и лекопромишлени среди:

niniejszym oświadczam na swoją wyłączną odpowiedzialność, że klimatyzatory i pompy ciepła do zastosowań w środowisku mieszkalnym, handlowym i lekko przemysłowym opisane poniżej:

erklærer et fullstendig ansvar for undernevnte klimaapparat og varmepumper ved bruk i boliger, samt kommersielle og lettindustrielle miljøer:

vakuuttaa täten yksinomaista vastuutaan, että jäljempänä kuvutat asuinrakennuksiin, pienteeollisuuskäyttöön ja kaupalliseen käyttöön tarkoitettuihin ilmastointilaitteisiin ja lämpöpumput:

tímto na vlastní odpovědnost prohlašuje, že níže popsané klimatizační jednotky a tepelná čerpadla pro použití v obytných prostředích, komerčních prostředích a prostředích lehkého průmyslu:

týmto na svoju výlučnú zodpovednosť vyhlasuje, že nasledovné klimatizačné jednotky a tepelné čerpadlá určené na používanie v obytných a obchodných priestoroch a v prostredí ľahkého priemyslu:

alulírott kizárólagos felelősségére nyilatkozik, hogy az alábbi lakossági, kereskedelmi és kisipari környezetben való használatra szánt klímaberendezés(ek) és hőszivattyú(k):

na lastno odgovornost izjavlja, da so spodaj opisane klimatske naprave in toplotne črpalke, namenjene za uporabo v stanovanjskih, poslovnih in lahkoindustrijskih okoljih:

declară prin prezenta, pe proprie răspundere, faptul că aparatele de climatizare și pompele de căldură descrise mai jos și destinate utilizării în medii rezidențiale, comerciale și din industria ușoară:

kinnitab oma ainuvastutust, et allpool toodud elu-, äri- ja kergtööstuskeskkondades kasutamiseks mõeldud kliimaseadmed ja soojuspumbad:

ar šo, vienpersoniski uzņemoties atbildību, paziņo, ka tālāk aprakstītais(-tie) gaisa kondicionētājs(-i) un siltumsūkņis(-i) ir paredzēti lietošanai dzīvojamajās, komercdarbības un vieglās rūpniecības telpās, kas aprakstītas tālāk:

šiuo vien tik savo atsakomybe pareiškia, kad toliau apibūdintas (-i) oro kondicionierius (-iai) ir šilumos siurblys (-iai), skirtas (-i) naudoti toliau apibūdintose gyvenamosiose, komercinėse ir lengvosios pramonės aplinkose:

ovime izjavljuje pod isključivom odgovornošću da je/su klimatizacijski uređaji(i) i toplinska dizalica(e) opisan(i) u nastavku namijenjen(i) za upotrebu u stambenim i poslovnim okruženjima te okruženjima lake industrije:

ovim izjavljuje na svoju isključivu odgovornost da su klima-uređaji i toplotne pumpe za upotrebu u stambenim, komercijalnim okruženjima i okruženjima lake industrije opisani u nastavku:

**MITSUBISHI ELECTRIC, SUZ-SWM30VA\*, SUZ-SWM40VA\*, SUZ-SWM60VA\*, SUZ-SWM80VA\*, SUZ-SWM100VA\***  
**SUZ-SHWM30VAH\*, SUZ-SHWM40VAH\*, SUZ-SHWM60VAH\*, SUZ-SWM80VAH\*, SUZ-SWM100VAH\***  
**\* : , , 1, 2, 3, , , , 9**

is/are in conformity with provisions of the following Union harmonisation legislation.  
die Bestimmungen der folgenden Harmonisierungsrechtsvorschriften der Union erfüllen/

erfüllen.  
est/sont conforme(s) aux dispositions de la législation d'harmonisation de l'Union

suivante.  
voldoet/voldoen aan bepalingen van de volgende harmonisatiewetgeving van de Unie.

cumple(n) con las disposiciones de la siguiente legislación de armonización de la Unión.

sono in conformità con le disposizioni della seguente normativa dell'Unione sull'armonizzazione.

συμμορφώνονται με τις διατάξεις της ακόλουθης νομοθεσίας εναρμόνισης της Ένωσης.

está/estão em conformidade com as disposições da seguinte legislação de harmonização da União.

er i overensstemmelse med bestemmelse(r) i følgende harmoniserede EU-lovgivning.

uppfyller villkoren i följande harmoniserade föreskrifter inom unionen.

აşağıdaki Avrupa Birliği uyumlaştırma mevzuatının hükümlerine uygundur.

соответствуют положениям следующих законодательных актов Союза о гармонизации.

2014/35/EU: Low Voltage Directive  
2006/42/EC: Machinery Directive  
2014/30/EU: Electromagnetic Compatibility Directive  
2011/65/EU, (EU) 2015/863 and (EU) 2017/2102: RoHS Directive  
2009/125/EC: Energy-related Products Directive and Regulation (EU) No 813/2013

відповідають положенням вказаного далі законодавства Союзу щодо гармонізації.  
е/са в съответствие с разпоредбите на следното законодателство на Съюза за

хармонизация.  
są zgodne z przepisami następującego unijnego prawodawstwa harmonizacyjnego.

er i samsvar med forskriftene til følgende EU-lovgivning om harmonisering.

ovat seuraavan unionin yhdenmukaistamislainsäädännön säännösten mukaisia.

jsou v souladu s ustanoveními následujících harmonizačních právních předpisů Unie.

spĺňajú ustanovenia nasledujúcich harmonizovaných noriem EÚ.

megfelel(nek) az Unió alábbi harmonizációs jogszabályi előírásainak.

v skladu z določbami naslednje usklajevalne zakonodaje Unije.

sunt în conformitate cu dispozițiile următoare legislații de armonizare a Uniunii.

atbilst šādiem ES harmonizētajiem tiesību aktu noteikumiem.

taip pat atitinka kitų toliau išvardytų suderintųjų Sąjungos direktyvų nuostatas.

sukladan(i) odredbama sljedećeg zakonodavstva Unije za sukladnost.

u skladu sa odredbama sledećeg usklađivanja zakonodavstva Unije.

Issued: 1 Apr. 2022

THAILAND

Tadashi SAITO

Manager, Quality Assurance Department

## <ENGLISH>

English is original. The other languages versions are translation of the original.

### ▲ CAUTION

- Refrigerant leakage may cause suffocation. Provide ventilation in accordance with EN378-1.
- Be sure to wrap insulation around the piping. Direct contact with the bare piping may result in burns or frostbite.
- Never put batteries in your mouth for any reason to avoid accidental ingestion.
- Battery ingestion may cause choking and/or poisoning.
- Install the unit on a rigid structure to prevent excessive operation sound or vibration.
- The A-weighted sound pressure level is below 70dB.
- This appliance is intended to be used by expert or trained users in shops, in light industry and on farms, or for commercial use by lay persons.

## <DEUTSCH>

Das Original ist in Englisch. Die anderen Sprachversionen sind vom Original übersetzt.

### ▲ VORSICHT

- Wenn Kältemittel austritt, kann dies zu Ersticken führen. Sorgen Sie in Übereinstimmung mit EN378-1 für Durchlüftung.
- Die Leitungen müssen isoliert werden. Direkter Kontakt mit nicht isolierten Leitungen kann zu Verbrennungen oder Erfrierungen führen.
- Nehmen Sie niemals Batterien in den Mund, um ein versehentliches Verschlucken zu vermeiden.
- Durch das Verschlucken von Batterien kann es zu Erstickungen und/oder Vergiftungen kommen.
- Installieren Sie das Gerät auf einem stabilen Untergrund, um übermäßige Betriebsgeräusche oder -schwingungen zu vermeiden.
- Der A-gewichtete Schalldruckpegel ist niedriger als 70dB.
- Dieses Gerät ist vorgesehen für die Nutzung durch Fachleute oder geschultes Personal in Werkstätten, in der Leichtindustrie und in landwirtschaftlichen Betrieben oder für die kommerzielle Nutzung durch Laien.

## <FRANÇAIS>

L'anglais est l'original. Les versions fournies dans d'autres langues sont des traductions de l'original.

### ▲ PRECAUTION

- Une fuite de réfrigérant peut entraîner une asphyxie. Fournissez une ventilation adéquate en accord avec la norme EN378-1.
- Assurez-vous que la tuyauterie est enveloppée d'isolant. Un contact direct avec la tuyauterie nue peut entraîner des brûlures ou des engelures.
- Ne mettez jamais des piles dans la bouche pour quelque raison que ce soit pour éviter de les avaler par accident.
- Le fait d'ingérer des piles peut entraîner un étouffement et/ou un empoisonnement.
- Installez l'appareil sur une structure rigide pour prévenir un bruit de fonctionnement et une vibration excessifs.
- Le niveau de pression acoustique pondéré est en dessous de 70 dB.
- Cet appareil est conçu pour un utilisateur expert ou les utilisateurs formés en magasin, dans l'industrie légère et dans l'agriculture ou dans le commerce par le profane.

## <NEDERLANDS>

Het Engels is het origineel. De andere taalversies zijn vertalingen van het origineel.

### ▲ VOORZICHTIG

- Het lekken van koelvoelstof kan verstikking veroorzaken. Zorg voor ventilatie in overeenstemming met EN378-1.
- Isoleer de leidingen met isolatiemateriaal. Direct contact met de onbedekte leidingen kan leiden tot brandwonden of bevriezing.
- Stop nooit batterijen in uw mond om inslikking te voorkomen.
- Het inslikken van batterijen kan verstikking of vergiftiging veroorzaken.
- Installeer het apparaat op een stabiele structuur om overmatig lawaai of trillingen te voorkomen.
- Het niveau van de geluidsdruk ligt onder 70 dB(A).
- Dit apparaat is bedoeld voor gebruik door ervaren of opgeleide gebruikers in werkplaatsen, in de lichte industrie en op boerderijen, of voor commercieel gebruik door leken.

## <ESPAÑOL>

El idioma original del documento es el inglés. Las versiones en los demás idiomas son traducciones del original.

### ▲ CUIDADO

- Las pérdidas de refrigerante pueden causar asfixia. Se debe proporcionar la ventilación determinada en EN378-1.
- Asegúrese de colocar el aislante alrededor de las tuberías. El contacto directo con la tubería puede ocasionar quemaduras o congelación.
- Para evitar una ingestión accidental, no coloque las pilas en su boca bajo ningún concepto.
- La ingestión de las pilas puede causar asfixia y/o envenenamiento.
- Coloque la unidad en una estructura rígida para evitar que se produzcan sonidos o vibraciones excesivos debidos a su funcionamiento.
- El nivel de presión acústica ponderado A es inferior a 70 dB.
- Este aparato está destinado a su uso por parte de usuarios expertos o capacitados en talleres, industrias ligeras y granjas, o a su uso comercial por parte de personas no expertas.

## <ITALIANO>

Il testo originale è redatto in lingua Inglese. Le altre versioni linguistiche rappresentano traduzioni dell'originale.

### ▲ ATTENZIONE

- Le perdite di refrigerante possono causare asfissia. Prevedere una ventilazione adeguata in conformità con la norma EN378-1.
- Accertarsi di applicare materiale isolante intorno alle tubature. Il contatto diretto con le tubature non schermate può provocare ustioni o congelamento.
- Non introdurre in nessun caso le batterie in bocca onde evitare ingestioni accidentali.
- L'ingestione delle batterie può provocare soffocamento e/o avvelenamento.
- Installare l'unità su una struttura rigida in modo da evitare rumore o vibrazioni eccessivi durante il funzionamento.
- Il livello di pressione del suono ponderato A è inferiore a 70dB.
- Questa apparecchiatura è destinata all'utilizzo da parte di utenti esperti o addestrati in negozi, industria leggera o fattorie oppure a un uso commerciale da parte di persone non esperte.

## <ΕΛΛΗΝΙΚΑ>

Η γλώσσα του πρωτοτύπου είναι η αγγλική. Οι εκδόσεις άλλων γλωσσών είναι μεταφράσεις του πρωτοτύπου.

### ▲ ΠΡΟΣΟΧΗ

- Η διαρροή του ψυκτικού ενδέχεται να προκαλέσει ασφυξία. Φροντίστε για τον εξαερισμό σύμφωνα με το πρότυπο EN378-1.
- Φροντίστε να τυλίξετε με μονωτικό υλικό τη σωλήνωση. Η απευθείας επαφή με τη γυμνή σωλήνωση ενδέχεται να προκαλέσει εγκαύματα ή κρυοπαγήματα.
- Μη βάζετε ποτέ τις μπαταρίες στο στόμα σας για κανένα λόγο ώστε να αποφύγετε την κατά λάθος κατάποσή τους.
- Η κατάποση μπαταριών μπορεί να προκαλέσει πνιγμό ή/και δηλητηρίαση.
- Εγκαταστήστε τη μονάδα σε σταθερή κατασκευή ώστε να αποφύγετε τον έντονο ήχο λειτουργίας ή τους κραδασμούς.
- Η Α-σταθμισμένη στάθμη ηχητικής πίεσης είναι κάτω των 70dB.
- Η Α-σταθμισμένη στάθμη ηχητικής πίεσης είναι κάτω των 70dB.
- Η συσκευή αυτή προορίζεται για χρήση από εμπειρογούς ή εκπαιδευμένους χρήστες σε καταστήματα, στην ελαφριά βιομηχανία και σε αγροκτήματα, ή για εμπορική χρήση από άτομα τα οποία δεν είναι ειδήμονες.

## <PORTUGUÊS>

O idioma original é o inglês. As versões em outros idiomas são traduções do idioma original.

### ▲ CUIDADO

- A fuga de refrigerante pode causar asfixia. Garanta a ventilação em conformidade com a norma EN378-1.
- Certifique-se de que envolve as tubagens com material de isolamento. O contacto directo com tubagens não isoladas pode resultar em queimaduras ou ulcerações provocadas pelo frio.
- Nunca coloque pilhas na boca, por nenhum motivo, para evitar a ingestão accidental.
- A ingestão de uma pilha pode causar obstrução das vias respiratórias e/ou envenenamento.
- Instale a unidade numa estrutura robusta, de forma a evitar ruídos ou vibrações excessivos durante o funcionamento.
- O nível de pressão sonora ponderado A é inferior a 70 dB.
- Este equipamento destina-se a ser utilizado por especialistas ou utilizadores com formação em lojas, na indústria ligeira e em quintas, ou para utilização comercial por leigos.

## <DANSK>

Engels er originalen. De andre sprogversioner er oversættelser af originalen.

### ▲ FORSIGTIG

- Lækage af kølemiddel kan forårsage kvælning. Sørg for udluftning i overensstemmelse med EN378-1.
- Sørg for at pakke rørene ind i isolering. Direkte kontakt med ubeklædte rør kan forårsage forbrændinger eller forfrysninger.
- Batterier må under ingen omstændigheder tages i munden for at forhindre utilsigtet indtagelse.
- Indtagelse af batterier kan forårsage kvælning og/eller forgiftning.
- Installer enheden på en fast struktur for at forhindre for høje driftslyde eller vibrationer.
- Det A-vægtede lydtrykniveau er under 70dB.
- Dette apparat er beregnet til at blive brugt af eksperter eller udlærte brugere i butikker, inden for let industri og på gårde eller til kommerciel anvendelse af lægmænd.

## <SVENSKA>

Engelska är originalspråket. De övriga språkversionerna är översättningar av originalet.

### ▲ FÖRSIKTIGHET

- Köldmedelsläckage kan leda till kvävning. Tillhandahåll ventilation i enlighet med EN378-1.
- Kom ihåg att linda isolering runt rören. Direktkontakt med bara rör kan leda till brännskador eller köldskador.
- Stoppa aldrig batterier i munnen, de kan sväljas av misstag.
- Om ett batteri sväljs kan det leda till kvävning och/eller förgiftning.
- Montera enheten på ett stadigt underlag för att förhindra höga driftljud och vibrationer.
- Den A-vägdade ljudtrycksnivån är under 70dB.
- Denna apparat är ämnad för användning av experter eller utbildade användare i affärer, inom lätt industri och på lanbruk, eller för kommersiell användning av lekmän.

## <TÜRKÇE>

Aslı İngilizce'dir. Diğer dillerdeki sürümler aslının çevirisidir.

### ▲ DİKKAT

- Soğutucu kaçağı boğulmaya neden olabilir. EN378-1 uyarınca uygun havalandırma sağlayın.
- Borular etrafına yalıtım yapıldığından emin olun. Borulara doğrudan çıplak elle dokunulması yanıklara veya soğuk ısırıklarına neden olabilir.
- Kazara yutmamak için, pilleri kesinlikle hiçbir amaçla ağzınızda tutmayın.
- Pillerin yutulması boğulmaya ve/veya zehirlenmeye yol açabilir.
- Aşırı çalıma seslerini veya titreşimi önlemek için, üniteyi sağlam bir yapı üzerine monte edin.
- A ağırıklı ses gücü seviyesi 70dB'nin altındadır.
- Bu cihaz tölöyelerde, hafif endüstriyel tesislerde ve çiftliklerde uzman veya eğitimli kullanıcılar tarafından kullanılmak üzere veya normal kullanıcılar tarafından ticari kullanım için tasarlanmıştır.

## <РУССКИЙ>

Языком оригинала является английский. Версии на других языках являются переводом оригинала.

### ▲ ОСТОРОЖНО

- Утечка хладагента может стать причиной удушья. Обеспечьте вентиляцию в соответствии с EN378-1.
- Обязательно оберните трубы изоляционным материалом. Непосредственный контакт с неизолированным трубопроводом может привести к ожогам или обморожению.
- Запрещается класть элементы питания в рот по каким бы то ни было причинам во избежание случайного проглатывания.
- Попадание элемента питания в пищеварительную систему может стать причиной удушья и/или отравления.
- Устанавливайте устройство на жесткую структуру во избежание чрезмерного шума или чрезмерной вибрации во время работы.
- Уровень звукового давления по шкале A не превышает 70 дБ.
- Данное устройство предназначено для использования специалистами или обученным персоналом в магазинах, на предприятиях легкой промышленности и фермах или для коммерческого применения не-профессионалами.

## <УКРАЇНСЬКА>

Переклад оригіналу. Текст іншими мовами є перекладом оригіналу.

### ▲ ОБЕРЕЖНО

- Виток холодагента може призвести до удушся. Необхідно забезпечити вентиляцію відповідно до стандарту EN 378-1.
- Труби необхідно обмотати ізоляційним матеріалом. Прямий контакт із непокритою трубою може призвести до опіку або обмороження.
- Забороняється класти елементи живлення в рот із будь-яких причин, оскільки є ризик випадково їх проковтнути.
- Попадання елемента живлення в травну систему може стати причиною задхуки та/або отруєння.
- Встановлюйте блок на міцній конструкції, щоб уникнути надмірного рівня звуку роботи або вібрації.
- Рівень амплітудно зваженого акустичного тиску становить нижче 70 дБ.
- Цей прилад призначається для використання спеціалістами або особами, що пройшли відповідне навчання, у кранницях, легкій промисловості та сільськогосподарських підприємствах, а також для комерційного використання неспеціалістами.

## <БЪЛГАРСКИ>

Оригиналът е текстът на английски език. Версиите на други езици са преводи на оригинала.

### ▲ ВНИМАНИЕ

- Изтичането на хладилен агент може да причини задушаване. Осигурете вентилация съобразно с EN378-1.
- Не забравяйте да уветите изолация около тръбите. Директният контакт с оголени тръби може да причини изгаряне или измръзване.
- При никакви обстоятелства не поставяйте батериите в устата си, за да не ги поглънете по невнимание.
- Това може да доведе до задушаване и/или натравяне.
- Монтирайте тялото върху твърда конструкция, за да предотвратите прекомерен шум или вибрации по време на работа.
- А-претегленото ниво на звуково налягане е под 70 dB.
- Този уред е предназначен за използване от експерти или обучени потребители в магазини, в леката промисленост и във ферми, или за търговска употреба от неспециалисти.

## <POLSKI>

Językiem oryginału jest język angielski. Inne wersje językowe stanowią tłumaczenie oryginału.

### ▲ UWAGA

- Wyciek czynnika chłodniczego może spowodować uduszenie. Należy zapewnić wentylację zgodnie z normą EN378-1.
- Należy pamiętać, aby owinać izolację wokół przewodów rurowych. Bezpośredni kontakt z niebezpiecznymi przewodami rurowymi może doprowadzić do poparzeń lub odmrożeń.
- Nie wolno wkładać baterii do ust z jakiegokolwiek powodu, aby uniknąć przypadkowego pokłnięcia.
- Pokłnięcie baterii może spowodować zadławienie i/lub zatrucie.
- Zainstalować urządzenie na sztywnej konstrukcji, aby zapobiec nadmieremu hałasowi i wibracjom.
- Poziom dźwięku A nie przekracza 70 dB.
- W sklepach, w przemyśle lekkim i w gospodarstwach rolnych urządzenie powinni obsługiwać profesjonalni lub przeszkoleni użytkownicy, a w środowisku handlowym mogą to być osoby nieposiadające fachowej wiedzy.

## <NORSK>

Originalspråket er engelsk. De andre språkversjonene er oversettelser av originalen.

### ▲ FORSIKTIG

- Kjølemiddellekkasje kan forårsake kvælning. Sørg for ventilering i samsvar med EN378-1.
- Pass på at isoleringen pakkes godt rundt røret. Direkte kontakt med ukledte rør kan forårsake brannskader eller forfrysninger.
- Aldri plasser batteri i munnen, da dette kan medføre en risiko for at du svelger batteriet ved et uhell.
- Hvis du svelger et batteri, kan du risikere kvælning og/eller forgiftning.
- Installer enheten på en stabil struktur for å forhindre uønsket mye driftsstøy eller vibrasjoner.
- Det A-vektede lydtrykknivået er under 70 dB.
- Dette apparatet er ment for bruk av eksperter eller faglært personell i butikker, lettindustri og på gårder, eller for kommersielt bruk av ikke-fagmenn.

## <SUOMI>

Englantii on alkuperäinen. Muut kieliversiot ovat alkuperäiskappaleen käännöksiä.

### ▲ HUOMIO

- Vuotava kylmäaine voi aiheuttaa tukehtumisen. Ilmanvaihdon on oltava EN378-1-standardin mukainen.
- Käähän putken ympärille eristysmateriaalia. Paljaan putken koskettamisesta voi seurata palotai paleluttamavammoja.
- Älä koskaan laita paristoja suuhun, jotta et vahingossa nielaisisi niitä.
- Paristojen nieleminen voi aiheuttaa tukehtumisen ja/tai myrkytyksen.
- Asenna yksikkö tukeviin rakenteisiin, jotta sen käytöstä ei syntyisi ylimääräistä ääntä tai tärinää.
- A-painotettu äänenpainetaso on alle 70 dB.
- Laite on tarkoitettu asentajien tai laitteelle koulutuksen saaneiden käyttöön kaupossa, pienteollisuudessa ja maataloilta tai maailkoille kaupalliseen käyttöön.

## <ČEŠTINA>

Originál je v angličtině. Ostatní jazykové verze jsou překladem originálu.

### ▲ POZOR

- Únik chladicího média může způsobit udusění. Zajistěte větrání v souladu s normou EN 378-1.
- Okolo potrubí vždy omotejte izolací. Přímý kontakt s obnaženým potrubím může způsobit popálení nebo omrzliny.
- Nikdy nevkládějte baterie do úst, aby nedošlo k jejich poklnutí.
- Poklnutí baterie může způsobit zdušení a/nebo otravu.
- Jednotku nainstalujte na pevnou konstrukci, aby nedocházelo ke vzniku nadměrného provozního hluku a vibrací.
- Hladina akustického tlaku A je nižší než 70 dB.
- Toto zařízení je určeno pro prodejny, lehký průmysl a farmy, kde je musí obsluhovat odborníci a školení uživatelé, a pro komerční použití, kde je mohou obsluhovat laici.

## <SLOVENČINA>

Peklad anglického originálu. Všetky jazykové verzie sú preložené z angličtiny.

### ▲ UPOZORNENIE

- Únik chladiva môže spôsobiť udusenie. Zabezpečte vetranie podľa normy EN 378-1.
- Nezabudnite potrubie obaliť izoláciou. Priamy kontakt s nezabaleným potrubím môže spôsobiť popáleniny alebo omrzliny.
- Baterie si nikdy z akéhokoľvek dôvodu nekladte do úst, aby nedošlo k ich náhodnému požitiu.
- Požitie batérií môže vyvolať dusenie a/alebo otravu.
- Nainštalujte jednotku na pevný konštrukčný prvok, aby ste obmedzili nadmerný prevádzkový hluk a vibrácie.
- Hladina akustického tlaku A je nižšia ako 70 dB.
- Toto zariadenie je určené na používanie odborníkmi alebo zaškolenými používateľmi v komerčných priestoroch, v prostredí ľahkého priemyslu, na farmách, alebo na komerčné použitie bežnými používateľmi.

## <MAGYAR>

Az angol változat az eredeti. A többi nyelvi változat az eredeti fordítása.

### ▲ VIGYÁZAT

- A hűtőközeg szivárgása fulladást okozhat. Gondoskodjon az EN378-1 szabvány előírásai szerinti szellőzéstől.
- Feltétlenül szigetelje körbe a csöveket. A csupas z cső megérintése égési vagy fagyási sérülést okozhat.
- Ne vegyen a szájába elemet semmilyen célból, mert véletlenül lenyelheti!
- A lenyelt elem fulladást és/vagy mérgezését okozhat.
- A készületek merev szerkezetre szerelje fel, hogy megakadályozza a túlzott üzemi zajt és vibrációt.
- Az A-súlyozott hangnyomásszint 70 dB alatt van.
- A készülék üzlet, a könnyűipar és gazdaságok szakértő vagy képzett felhasználói, valamint laikus felhasználók által kereskedelmi használatra készült.

## <SLOVENŠČINA>

Izvirnik je v angleščini. Druge jezikovne različice so prevodi izvirnika.

### ▲ POZOR

- Puščanje hladiva lahko povzroči zaudšitev. Zagotovite prezračevanje po standardu EN378-1.
- Cevi ovijte z izolacijo. Neposredni stik z golimi cevmi lahko povzroči opekline ali ozeblina.
- Nikoli in iz nobenega razloga ne vstavljajte baterij v usta, da jih po nesreči ne pogoltnete.
- Če baterije pogoltnete, se lahko zaudšite in/ali zastupite.
- Enoto nameštite na togo konstrukcijo, da preprečite pretiran zvok ali tresljaje med delovanjem.
- A-utežena raven zvočnega tlaka je pod 70 dB.
- Naprava je namenjena za uporabo s strani strokovnih ali ustrezno usposobljenih uporabnikov v trgovinah, lahki industriji in na kmetijah ter za komercialno uporabo s strani nestrokovnih uporabnikov.

## <ROMÂNĂ>

Textul original este în limba engleză. Versiunile pentru celelalte limbi sunt traduceri ale originalului.

### ▲ ATENȚIE

- Scurgerea de agent frigorific poate cauza asfixierea. Asigurați o ventilație corespunzătoare, conform standardului EN378-1.
- Asigurați-vă că înfașurați materialul izolator în jurul conductelor. Contactul direct cu conductele neizolate se poate solda cu arsuri sau degerături.
- Nu introduceți niciodată și pentru niciun motiv bateriile în gură, pentru a evita ingerarea accidentală a acestora.
- Ingerarea bateriilor poate cauza sufocarea și/sau intoxicația.
- Instalați unitatea pe o structură rigidă pentru a preveni producerea unui nivel excesiv de sunete sau vibrații.
- Nivelul de presiune acustică ponderat în A este mai mic de 70 dB.
- Acest aparat este destinat utilizării de către utilizatori specializați sau instruiți în cadrul spațiilor comerciale, spațiilor din cadrul industriei ușoare și al fermelor sau în scopuri comerciale de către nespecialiști.

## <EESTI>

Originaaljuhend on ingliskeelne. Muudes keeltes versioonid on originaali tõlked.

### ▲ ETTEVAATUST!

- Külmaaine leke võib põhjustada lämbumist. Tuulutamise standardi EN378-1 kohaselt.
- Mähkige torude ümber kindlasti isolatsiooni. Vahetu kontakt paljaste torudega võib põhjustada põletusi või külmakahjustusi.
- Hoiduge patareide tahtmatust allaneelamisest, ärge kunagi pange ühelgi põhjusele patareid suhu.
- Patarei allaneelamine võib põhjustada lämbumist ja/või mürgitust.
- Paigaldage seade järgale struktuurile, et vältida ülemäärast tööheli ja vibreerimist.
- A-filtriga helirõhu tase on madalam kui 70 dB.
- Seade on mõeldud kasutamiseks asjatundjatele ja väljapoole läbinud kasutajatele poodides, kergtööstuses ja taludes ning kommertskasutuseks tavaisikute poolt.

## <LATVIŠKI>

Origināls ir angļu valodā. Versijas citās valodās ir oriģināla tulkojums.

### ▲ UZMANĪBU

- Aukstumaģenta noplūdes gadījumā pastāv nosmakšanas risks. Ir jānodrošina standartam EN378-1 atbilstoša ventilācija.
- Aptiniet caurules ar izolējošu materiālu. Pieskaroties neatītiām caurulēm, var būt apdegumus vai apsaldējumus.
- Aizliegts ievietot baterijas mutē; pastāv norišanas risks.
- Bateriju norišana var izraisīt aizrīšanas un/vai saindēšanas.
- Uzstādiet iekārtu uz izturīgas struktūras, lai izvairītos no pārlieku liela darbības trokšņa vai vibrācijas.
- A — izsvārotais skaņas spiediena līmenis ir mazāks par 70 dB.
- Šo iekārtu paredzēts lietot speciālistiem vai apmācītiem lietotājiem veikalos, vieglās rūpniecības telpās un lauksaimniecības fermās, kā arī to var lietot nespeciālisti komerciālām vajadzībām.

## <LIETUVIŠKAI>

Originalas yra anglų k. Versijos kitomis kalbomis yra originalo vertimas.

### ▲ ATSARGIAI

- Dėl šaltesio nuotėkio galima uždušinti. Išvėdinkite patalpas pagal EN378-1.
- Būtinai vamzdelius apvyniokite izoliacija. Prisilietus prie plikų vamzdelių galima nusideginti arba nušalti.
- Siekdami išvengti atsiktinio prarajimo, niekada nedėkite baterijų į burną.
- Prarijus bateriją galima užspringti ir / arba apsinuodyti.
- Įrenginį sumontuokite ant tvirtos struktūros, kad nesigirdėtų pernelgus didelio veikimo triukšmo ar vibracijos.
- A svertinis garso slėgio lygis nesiekia 70 dB;
- Šis prietaisas skirtas naudoti specialistui ar išmokytiems naudotojams dirbtuvėse, lengvojoje pramonėje ar ūkiuose arba komerciniam naudojimui nespecialistams.

## <HRVATSKI>

Tekst je izvorno napisan na engleskom jeziku. Tekst na ostalim jezicima predstavlja prijevod izvorno napisanog teksta.

### ▲ OPREZ

- Curenje rashladnog sredstva može uzrokovati gušenje. Osigurajte ventilaciju u skladu s normom HR EN378-1.
- Obavezno stavite izolaciju oko položenih cijevi. Izravni doticaj s golim cijevima može dovesti do opekлина ili smrzavanja.
- Nikada ne stavljajte baterije u usta ni zbog kojeg razloga kako biste izbjegli slučajno gutanje.
- Gutanje baterija može prouzročiti gušenje i/ili trovanje.
- Postavite jedinicu na čvrstu strukturu kako biste izbjegli prebučan zvuk tijekom rada ili pojavu vibracija.
- Razina zvučnog tlaka A niža je od 70dB.
- Ovak uređaj mogu upotrebljavati stručnjaci ili osposobljeni korisnici u trgovinama, lakoj industriji i na poljoprivrednim gospodarstvima ili laici u komercijalne svrhe.

## <SRPSKI>

Prevod originala. Verzije na drugim jezicima su prevodi originala.

### ▲ OPREZ

- Curenje rashladne tečnosti može da dovede do gušenja. Obezbedite ventilaciju u skladu sa EN378-1.
- Obavezno obmotajte izolaciju oko cevi. Direktni kontakt sa golom cevi može izazvati opekotine ili promrzline.
- Nikada nemojte stavljati baterije u usta iz bilo kog razloga, kako bi se sprečilo slučajno gutanje.
- Gutanje baterija može da izazove gušenje i/ili trovanje.
- Ugradite jedinicu na čvrstu strukturu kako biste sprečili previše jak zvuk rada ili vibracije.
- A-ponderisani nivo jačine pritiska zvuka je ispod 70 dB.
- Ovaj uređaj je namenjen za upotrebu od strane stručnjaka ili obučeni korisnika u prodavnicama, u lakoj industriji i na farmama ili za komercijalnu upotrebu od strane nekvalifikovanih lica.

Please be sure to put the contact address/telephone number on this manual before handing it to the customer.

**mitsubishi electric corporation**

HEAD OFFICE: TOKYO BUILDING, 2-7-3, MARUNOUCHI, CHIYODA-KU, TOKYO 100-8310, JAPAN

# Air to Water Heat Pump SUZ-SWM·VA(H) series SUZ-SHWM·VAH series

INSTALLATION MANUAL	FOR INSTALLER	English
INSTALLATIONSHANDBUCH	FÜR INSTALLATEURE	Deutsch
MANUEL D'INSTALLATION	POUR L'INSTALLATEUR	Français
INSTALLATIEHANDLEIDING	VOOR DE INSTALLATEUR	Nederlands
MANUAL DE INSTALACIÓN	PARA EL INSTALADOR	Español
MANUALE DI INSTALLAZIONE	PER L'INSTALLATORE	Italiano
ΕΓΧΕΙΡΙΔΙΟ ΟΔΗΓΙΩΝ ΕΓΚΑΤΑΣΤΑΣΗΣ	ΓΙΑ ΑΥΤΟΝ ΠΟΥ ΚΑΝΕΙ ΤΗΝ ΕΓΚΑΤΑΣΤΑΣΗ	Ελληνικά
MANUAL DE INSTALAÇÃO	PARA O INSTALADOR	Português
INSTALLATIONSMANUAL	TIL INSTALLATØREN	Dansk
INSTALLATIONSMANUAL	FÖR INSTALLATÖREN	Svenska
MONTAJ ELKİTABI	MONTÖR İÇİN	Türkçe
РУКОВОДСТВО ПО УСТАНОВКЕ	ДЛЯ УСТАНОВИТЕЛЯ	Русский
ПОСІБНИК З УСТАНОВЛЕННЯ	ДЛЯ СПЕЦІАЛІСТА З МОНТАЖУ	Українська
РЪКОВОДСТВО ЗА МОНТАЖ	ЗА МОНТАЖНИКА	Български
INSTRUKCJA MONTAŻU	DLA INSTALATORA	Polski
INSTALLASJONSHÅNDBOK	FOR MONTØR	Norsk
ASENNUSOPAS	ASENTAJALLE	Suomi
INSTALAČNÍ PŘÍRUČKA	PRO MONTÁŽNÍ PRACOVNÍKY	Čeština
NÁVOD NA INŠTALÁCIU	PRE MONTÉRA	Slovenčina
TELEPÍTÉSI KÉZIKÖNYV	A TELEPÍTŐ RÉSZÉRE	Magyar
NAMESTITVENI PRIROČNIK	ZA MONTERJA	Slovenščina
MANUAL DE INSTALARE	PENTRU INSTALATOR	Română
PAIGALDUSJUHEND	PAIGALDAJALE	Eesti
MONTĀŽAS ROKASGRĀMATA	UZSTĀDĪŠANAS SPECIĀLISTAM	Latviski
MONTAVIMO VADOVAS	SKIRTA MONTUOTOJUI	Lietuviškai
PRIRUČNIK ZA POSTAVLJANJE	ZA INSTALATERA	Hrvatski
UPUTSTVO ZA UGRADNJU	ZA MONTERA	Srpski

1. Заходи безпеки	1	6. Електромонтажні роботи	9
2. Вибір місця встановлення	3	7. Технічне обслуговування	10
3. Монтажна схема	5	8. Установлення водопроводу	11
4. Дренажні труби для зовнішнього блока	5	9. Відкачування	13
5. Установлення труб холодоагенту	6	10. Специфікація	14



**Примітка.** Ця позначка дійсна виключно для країн ЄС.

Ця позначка використовується відповідно до додатку IX і статті 14 директиви 2012/19/EU (інформації для користувачів).

Цей виріб MITSUBISHI ELECTRIC розроблено та виготовлено з матеріалів та компонентів найвищої якості, які придатні для переробки та/або повторного використання.

Ця позначка означає, що електричне та електронне обладнання після завершення терміну експлуатації потрібно утилізувати окремо від побутових відходів. Утилізуйте своє обладнання належним чином у місцевих центрах збирання/переробки відходів.

У країнах ЄС існують системи окремого збирання використаних електричних та електронних виробів.

Допоможіть зберегти наше спільне навколишнє середовище!

## **ОБЕРЕЖНО!**

- Не випускайте холодоагент R32 в атмосферу.

## 1. Заходи безпеки

- ▶ Перш ніж розпочати монтаж блока, уважно прочитайте весь розділ «Заходи безпеки».
- ▶ Перед підключенням системи сповістіть постачальника або отримайте згоду постачальника.

### **УВАГА!**

Позначає заходи безпеки, яких слід дотримуватися, щоб запобігти травмуванню або смерті користувача.

### **ОБЕРЕЖНО!**

Позначає заходи безпеки, яких слід дотримуватися, щоб запобігти пошкодженню блока.

Завершивши монтаж, спеціаліст повинен ознайомити користувача з вмістом розділу «Заходи безпеки» та правилами використання й технічного обслуговування блока, які наведено в посібнику з експлуатації, і провести тестовий прогін, щоб переконатися в нормальній роботі. Посібник з установлення та посібник з експлуатації надаються користувачеві для зберігання. Ці посібники передаються від користувача до користувача.

: указує на деталь, яка має бути заземлена.

### **УВАГА!**

Уважно прочитайте етикетки, наліплені на основний блок.

: Позначає попередження та застереження під час використання холодоагенту R32.

## ЗНАЧЕННЯ СИМВОЛІВ НА ВНУТРІШНЬОМУ БЛОЦІ Й/АБО ЗОВНІШНЬОМУ БЛОЦІ

	<b>УВАГА!</b> (небезпека займання)	Ця позначка дійсна виключно для холодоагенту R32. Тип холодоагенту вказано на паспортній табличці зовнішнього блока. Якщо тип холодоагенту R32, у цьому блоці використовується займистий холодоагент. У разі витіку холодоагенту та його контакту з вогнем або джерелом тепла утворюється шкідливий газ і виникає небезпека займання.
	Уважно прочитайте ПОСІБНИК З ЕКСПЛУАТАЦІЇ перед початком використання.	
	Персонал обслуговування зобов'язаний уважно прочитати ПОСІБНИК З ЕКСПЛУАТАЦІЇ та ПОСІБНИК З УСТАНОВЛЕННЯ перед початком робіт.	
	Додаткову інформацію можна знайти в ПОСІБНИКУ З ЕКСПЛУАТАЦІЇ, ПОСІБНИКУ З УСТАНОВЛЕННЯ та подібних документах.	

### **УВАГА!**

- Не дозволяється встановлення блока користувачем. Для встановлення або ремонту блока звертайтеся до дилера або вповноваженого спеціаліста. Якщо блок встановлено неправильно, це може призвести до витікання води, ураження електричним струмом або пожежі.
- Під час робіт з установлення та переміщення дотримуйтеся інструкцій посібника з установлення та використовуйте інструменти й компоненти труб, виготовлені спеціально для холодоагенту R32. Якщо використовуються компоненти труб, не призначені для холодоагенту R32, а блок встановлено неправильно, труби можуть розірватися та спричинити пошкодження або травми. Крім того, це може призвести до витікання води, ураження електричним струмом або пожежі.
- Блок потрібно встановлювати згідно з інструкціями, щоб звести до мінімуму ризик пошкодження в разі землетрусів, ураганів або сильних вітрів. Неправильно встановлений блок може впасти та спричинити пошкодження або травмування.
- Блок надійно встановлюється на конструкції, яка може витримати його масу. Якщо блок встановлюється на нестійкій конструкції, це може призвести до його падіння та пошкодження, а також до нанесення травм.
- Якщо повітряно-водяна теплова помпа встановлюється в невеликому приміщенні, необхідно вжити заходів для запобігання перевищенню гранично допустимого рівня концентрації холодоагенту в разі його витіку. Зверніться до дилера щодо відповідних заходів для запобігання перевищенню допустимої концентрації. У разі витіку холодоагенту і перевищення гранично допустимого рівня його концентрації може виникнути небезпека через нестачу кисню в кімнаті.
- Провітрюйте кімнату в разі витіку холодоагенту під час роботи кондиціонера. У разі контакту холодоагенту з вогнем у повітря потрапляють отруйні гази.
- Усі електромонтажні роботи мають виконуватися кваліфікованим спеціалістом згідно з місцевими нормативами та інструкціями цього посібника. Блоки повинні бути підключені до виділеніх ліній електропередач. Слід використовувати відповідну напругу та вимикачі. Підключення до ліній електропередач з недостатньою ємністю або несправностями може призвести до ураження електричним струмом або пожежі.
- Використовуйте мідний фосфор C1220 для мідних і безшовних труб із мідного сплаву для з'єднання труб холодоагенту. Якщо труби з'єднані неправильно, блок буде невідповідним чином заземлений, що може призвести до ураження електричним струмом.
- Цей прилад призначається для використання спеціалістами або особами, що пройшли відповідне навчання, у крамницях, легкій промисловості та сільськогосподарських підприємствах, а також для комерційного використання неспеціалістами.
- Для підключення використовуйте лише вказані кабелі. Кабельні з'єднання мають бути надійними, але без надмірної натягнутості в місцях клемних з'єднань. У жодному разі не під'єднуйте кабелі наперехрест (якщо інше не вказано в цьому документі).
- Недотримання цих інструкцій може призвести до перенагрівання або пожежі.
- У разі пошкодження кабелю живлення його слід замінити у виробника, його сервісного представника або вповноважених осіб задля уникнення небезпечної ситуації.
- Монтаж блока потрібно здійснювати відповідно до державних правил улаштування електроустановок.
- Панель кришки клемної колодки блока має бути прикріплена надійно. Якщо панель кришки встановлена неправильно і пил та волога потрапляють у блок, це може спричинити ураження електричним струмом або пожежу.

# 1. Заходи безпеки

- Під час установа, переміщення або обслуговування повітряно-водяної теплової помпи потрібно використовувати лише спеціальний холодоагент (R32) для наповнення труб холодоагенту. Не змішуйте його з іншими холодоагентами та не допускайте залишків повітря в трубопроводах.  
У разі змішування холодоагенту з повітрям у трубопроводі холодоагенту може виникнути аномально високий тиск, що може призвести до вибуху й інших небезпечних ситуацій.  
Використання будь-якого іншого холодоагенту, крім призначеного для системи, призведе до механічної відмови, несправності системи або поломки блока. У найгіршому випадку це може створити серйозну загрозу безпеки, пов'язану з виробом.
- Використовуйте лише таке допоміжне обладнання, що дозволене компанією Mitsubishi Electric, і зверніться до дилера або вповноваженого спеціаліста для його встановлення. Якщо аксесуари встановлено неправильно, це може призвести до витікання води, ураження електричним струмом або пожежі.
- Не модифікуйте блок. Це може призвести до пожежі, ураження електричним струмом, травмування або витіку води.
- Ніколи не намагайтеся ремонтувати блок або переміщувати його самостійно. Якщо блок встановлено неправильно, це може призвести до витікання води, ураження електричним струмом або пожежі. Якщо повітряно-водяну теплову помпу потрібно відремонтувати або перемістити, зверніться до дилера або вповноваженого спеціаліста.
- Якщо в холодильному контурі є витік, НЕ використовуйте компресор для відкачування.
- У разі відкачування холодоагенту потрібно зупинити компресор, перш ніж від'єднувати труби холодоагенту. У разі потрапляння повітря та інших речовин компресор може вибухнути.
- Після встановлення переконайтесь у відсутності витіку холодоагенту. У разі витіку холодоагенту в кімнату та його контакту з вогнем обігрівача або переносної плити в повітря потрапляють отруйні гази.
- Не використовуйте засоби для прискорення розморожування або очищення, якщо їх не рекомендовано виробником.
- Пристрій слід зберігати в приміщенні без безперервно працюючих джерел займання (наприклад, відкритого полум'я, працюючого газового приладу або електричного обігрівача).
- Не проколюйте пристрій та не спалюйте його.
- Пам'ятайте, що холодоагенти можуть не мати запаху.
- Потрібно забезпечити захист труб від фізичних пошкоджень.
- Необхідно звести до мінімуму роботи з монтажу труб.
- Необхідно дотримуватися державних нормативних документів щодо використання газу.
- Потрібно уникати загородження будь-яких необхідних вентиляційних отворів.
- Не використовуйте легкоплавкі припої для спаювання труб холодоагенту.
- Під час спаювання необхідно забезпечити належне провітрювання кімнати. Переконайтесь, що поблизу немає шкідливих або легкозаймистих матеріалів.
- У разі роботи в закритому або малому приміщенні тощо переконайтесь у відсутності витоків холодоагенту, перш ніж починати роботу. У разі витіку та накопичення холодоагенту він може загорітися, а в повітря можуть потрапити отруйні гази.
- Пристрій зберігається в добре провітрюваному приміщенні, розмір якого дорівнює розміру, що вказаний для роботи.
- Місце встановлення, ремонту та інших робіт із повітряно-водяною тепловою помпою слід вибирати подалі від газових приладів, електричних обігрівачів та інших джерел вогню (займання).
- У разі контакту холодоагенту з вогнем у повітря потрапляють отруйні гази.
- Забороняється палити під час роботи та транспортування.
- Не наповнюйте прилад холодоагентом понад максимальну кількість для кожного зовнішнього блока. Якщо кількість холодоагенту перевищуватиме максимальну, його витік може призвести до пожежі.

## 1.1. Перед установа

### ОБЕРЕЖНО!

- Не використовуйте блок у незвичному середовищі. Якщо повітряно-водяну теплову помпу встановлюють у місцях, що перебувають під дією пари, летких нафтопродуктів (зокрема, моторного мастила) або сірчаного газу, у місцях із високим вмістом солі, як-от на морському узбережжі, або в зонах, де пристрій може бути присипано снігом, її продуктивність може значно зменшитися, а внутрішні деталі можуть бути пошкоджені.
- Не встановлюйте кондиціонер у місцях потенційного витіку, утворення, потоку або накопичення горючих газів. У випадку накопичення горючого газу навколо блока може виникнути пожежа або вибух.
- Під час нагрівання в зовнішньому блоці утворюється конденсат. Необхідно забезпечити дренаж навколо зовнішнього блока, якщо такий конденсат може спричинити пошкодження.
- У разі встановлення блока в лікарні або комунікаційному офісі будьте готовими до шумів та електронних перешкод. Робота таких пристроїв, як інвертори, домашні прилади, високочастотне медичне обладнання та обладнання радіозв'язку, може спричинити неправильну роботу або поломку повітряно-водяної теплової помпи. Робота повітряно-водяної теплової помпи також може впливати на роботу медичного обладнання, порушуючи медичний догляд, а також на функціонування комунікаційного обладнання, погіршуючи якість зображення дисплея.

## 1.2. Перед установа (переміщенням)

### ОБЕРЕЖНО!

- Будьте надзвичайно уважними під час переміщення або встановлення блоків. Для переміщення блока необхідно двоє або більше людей, оскільки він важить 20 кг або більше. Не тримайте кондиціонер за пакувальні ремені. Щоб виняти блок з упаковки та перемістити його, одягайте захисні рукавички, тому що ребра та гострі краї блока можуть пошкодити руки.
- Обов'язково проведіть безпечну утилізацію пакувальних матеріалів. Пакувальні матеріали, як-от цвяхи та інші металеві або дерев'яні деталі, можуть проколоти або спричинити інші види травмування.
- Основу та кріплення зовнішнього блока слід періодично перевіряти на предмет люфтів, тріщин або інших пошкоджень. Якщо не виправити ці дефекти, блок може впасти та спричинити пошкодження та травми.
- Не застосовуйте воду для очищення повітряно-водяної теплової помпи. Це може призвести до ураження електричним струмом.
- Затягніть усі конусні гайки відповідно до технічних умов за допомогою динамометричного ключа. У разі занадто сильного затягування конусна гайка може зламатися через тривалий час та спричинити витік холодоагенту.

## 1.3. Перед проведенням електромонтажних робіт

### ОБЕРЕЖНО!

- Обов'язково встановіть автоматичні вимикачі. Якщо їх не встановлено, це може призвести до ураження електричним струмом.
- Використовуйте стандартні кабелі з достатнім номіналом для ліній електромереж. В іншому разі може виникнути коротке замикання, пере-нагрівання або пожежа.
- Не натягуйте кабелі під час встановлення ліній електромережі. У разі послаблення з'єднань кабелі можуть тріснути або розірватися, що призведе до перегрівання чи пожежі.
- Обов'язково проведіть заземлення блока. Забороняється приєднувати дріт заземлення до газових та водопровідних труб, громовідводів чи дротів телефонного заземлення. Якщо блок не заземлено належним чином, це може призвести до ураження електричним струмом.
- Використовуйте автоматичні вимикачі (автоматичний вимикач з реле витіку на землю, ізолюючий вимикач (запобіжник +B), а також вимикач у литому корпусі) з указаним номіналом. Якщо номінал автоматичного вимикача вище вказаного, може виникнути поломка або пожежа.



# 1. Заходи безпеки

## 1.4. Перед початком тестового прогону

### ⚠ ОБЕРЕЖНО!

- Увімкніть головний перемикач за 12 або більше годин перед початком роботи. В разі початку роботи відразу після вмикання вимикача може бути серйозно пошкоджено внутрішні деталі. Тримайте основний перемикач в увімкненому положенні протягом робочого сезону.
- Перед початком роботи перевірте, чи всі панелі, елементи захисту та інші захисні деталі встановлені правильно. Гарячі деталі, деталі, що обертаються або перебувають під високою напругою, можуть травмувати.

- Не торкайтеся вимикачів мокрими руками. Це може призвести до ураження електричним струмом.
- Не торкайтеся труб холодоагенту голими руками під час роботи. Труби холодоагенту нагріваються або охолоджуються залежно від стану холодоагенту, що циркулює в них. Контакт із трубою може призвести до опіку або обмороження.
- Після завершення роботи зачекайте щонайменше п'ять хвилин перед тим, як вимкнути головний вимикач. В іншому разі може статися витік або поломка.

## 1.5. Використання повітряно-водяної теплової помпи з холодоагентом R32

### ⚠ ОБЕРЕЖНО!

- Використовуйте мідний фосфор C1220 для мідних і литих мідних безшовних труб для з'єднання труб холодоагенту. Переконайтеся, що внутрішні поверхні труб чисті та не містять жодних шкідливих забруднювачів, як-от сірчані сполуки, окисники, сміття або пил. Використовуйте труби із зазначеною товщиною. (Див. п. 4.1.) Зверніть увагу на таке в разі повторного використання труб, у яких містився холодоагент R22:
  - Замініть наявні конічні гайки та повторно розвальцюйте конічні частини.
  - Не використовуйте тонкі труби. (Див. п. 4.1.)
- Зберігайте труби, які планується використовувати під час монтажу, у приміщенні та знімайте заглушки з обох кінців кожної труби лише безпосередньо перед пайкою. (Залиште ліктові шарніри тощо в упаковці.) Якщо в трубопроводі холодоагенту потрапить пил, сміття або волога, це може спричинити погіршення якості оливи або вихід компресора з ладу.
- Використовуйте синтетичну оливу, складноефірну оливу або алкілбензолу оливу (невелику кількість) як холодильну оливу для вальцьованих частин. Якщо змішати мінеральну оливу з холодильною оливою, це може спричинити погіршення якості оливи.

- Обслуговування потрібно проводити тільки відповідно до рекомендацій виробника.
- Використовуйте тільки холодоагент R32. У разі використання іншого холодоагенту хлор може призвести до погіршення характеристик мастила.
- Використовуйте зазначені нижче інструменти, які спеціально розроблені для використання з холодоагентом R32. Для використання холодоагенту R32 необхідні вказані нижче інструменти. Зверніться до найближчого дилера з будь-якими запитаннями.

Інструменти (для R32)	
Манометричний колектор	Вальцьовальний інструмент
Шланг для заправки	Прилад для регулювання розміру
Детектор витоку газу	Адаптер вакуумного насоса
Динамометричний ключ	Електронні ваги для заправки холодоагенту

- Використовуйте лише відповідні інструменти. Якщо в трубопроводі холодоагенту потрапить пил, сміття або волога, це може спричинити погіршення якості холодильної оливи.

## 2. Вибір місця встановлення

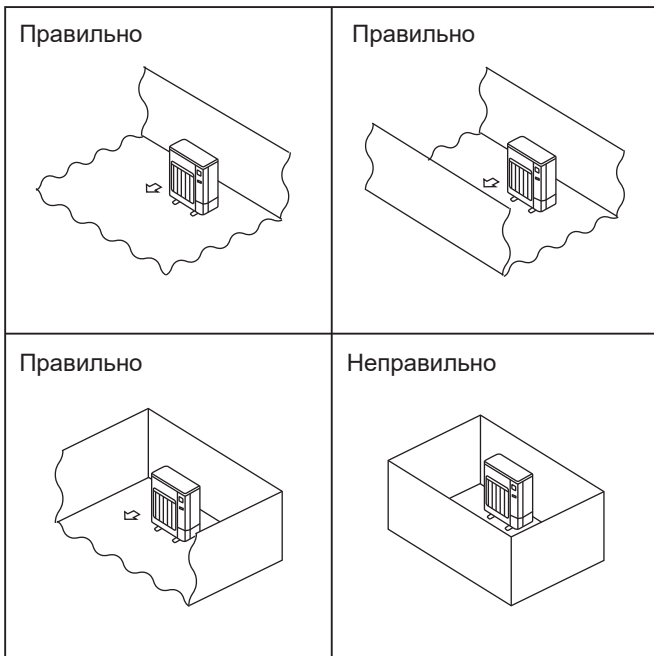


Fig. 2-1

### 2.1. Зовнішній блок

- R32 важчий за повітря та інші холодоагенти, тому має тенденцію накопичуватися біля основи (поруч із підлогою). Якщо R32 накопичується навколо основи, то він може досягати легкозаймистої концентрації в невеликому приміщенні. Щоб уникнути займання, необхідно подбати про безпеку робочого середовища, забезпечивши відповідну вентиляцію. Якщо витік холодоагенту стався в закритому приміщенні або в приміщенні з недостатньою вентиляцією, необхідно утриматися від використання джерел вогню до забезпечення належної вентиляції робочого середовища.
  - У місці, де блок не піддається дії сильного вітру.
  - У місці, де є безперешкодний потік повітря без пилу.
  - Там, де це не спричиняє короткого повітряного циклу.
  - У місці, де шум від роботи або гаряче повітря не заважатиме сусідам.
  - У місці з надійною стіною або опором для запобігання наростанню шуму та вібрації під час роботи.
  - У місці, де немає ризику витоку горючого газу.
  - У разі монтажу блока на висоті потрібно переконаватися, що ніжки блока закріплені.
  - Щонайменше на відстані 3 м від телевізійної або радіоантени. (Інакше можливий шум і викривлення зображення).
  - Блок необхідно встановлювати в місці, де він не буде піддаватися дії снігопаду або хуртовини. У районах із сильними снігопадами потрібно встановити навіс, підставку та/або роздільні перегородки.
  - Блок потрібно встановлювати горизонтально.
  - З'єднання труб холодоагенту має бути доступним для технічного обслуговування.
- © Установлюйте зовнішні блоки в місцях, де принаймні одна з чотирьох сторін відкрита, або в досить великому просторі без перешкод. (Fig. 2-1)

### ⚠ ОБЕРЕЖНО!

Не рекомендується встановлювати повітряно-водяну теплову помпу в місцях, де з нею можуть виникнути проблеми.

- У місцях, де забагато моторного мастила.
- У солоному середовищі, як-от на морському узбережжі.
- Біля термальних джерел.
- У місцях, де є гази з вмістом сульфідів.
- В інших місцях з особливими атмосферними явищами.

Під час нагрівання в зовнішньому блоці утворюється конденсат. Необхідно вибрати таке місце установки, де можна забезпечити запобігання намоканню зовнішнього блока та/чи землі від стічної води або пошкодженню внаслідок її замерзання.

## 2. Вибір місця встановлення

### 2.2. Мінімальна зона встановлення

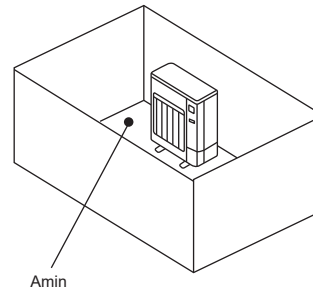
Якщо блок все ж встановлюється в просторі, де всі чотири сторони заблоковані, або є перешкоди, необхідно виконати вимоги одного з пунктів (А, В або С).

**Примітка.** Ці контрзаходи призначені для забезпечення безпеки, а не дотримання специфікації.

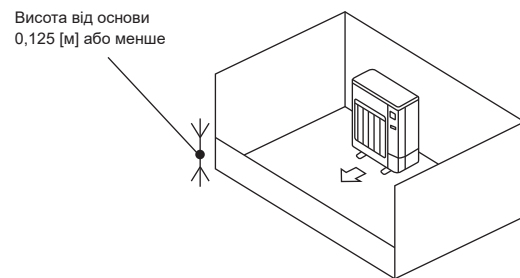
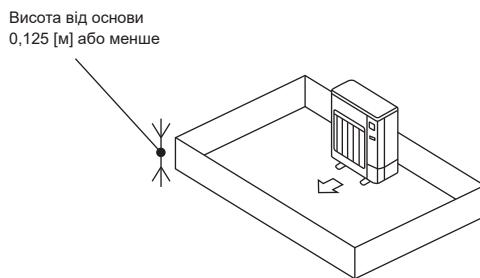
А) Забезпечте достатній простір для встановлення (мінімальна площа для встановлення —  $A_{min}$ ).

Установлюйте блок у місці, площа якого не менша за  $A_{min}$  для відповідної кількості холодоагенту  $M$  (сумарна маса холодоагенту, введеного на заводі-виробнику та на місці встановлення).

$M$ [кг]	$A_{min}$ [м <sup>2</sup> ]
1,0	12
1,5	17
2,0	23
2,5	28
3,0	34
3,5	39
4,0	45
4,5	50
5,0	56
5,5	62
6,0	67
6,5	73
7,0	78
7,5	84



В) Установлюйте блок у просторі, де висота перешкоди становить  $\leq 0,125$  [м].

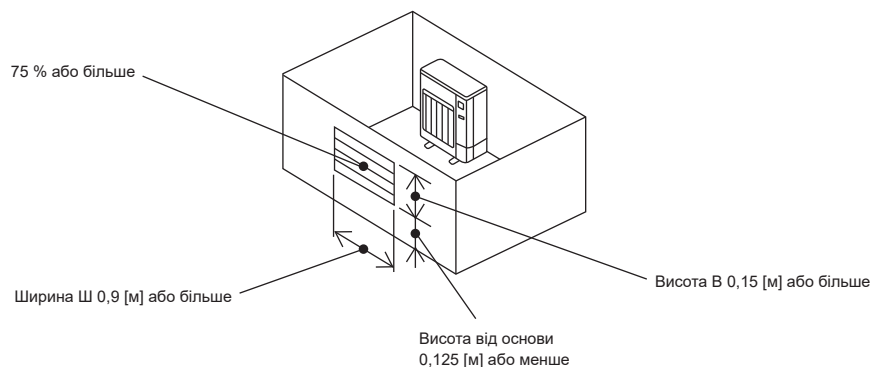


С) Створіть належну відкриту зону для вентиляції.

Переконайтеся, що ширина відкритої області становить 0,9 [м] або більше, а висота — 0,15 [м] або більше.

Однак висота від основи простору для установки до нижнього краю відкритої області повинна становити 0,125 [м] або менше.

Відкрита площа повинна становити 75 % або більше.



**Примітка.** На внутрішній блок не розповсюджуються обмеження на встановлення, пов'язані з використанням холодоагенту R32. Перегляньте посібник із встановлення внутрішнього блока й перевірте необхідну для встановлення площу.

### 3. Монтажна схема

#### 3.1. Зовнішній блок (Fig. 3-1)

##### Вентиляція та простір для технічного обслуговування

- Ⓐ 100 мм або більше
- Ⓑ 350 мм або більше
- Ⓒ 500 мм або більше

Якщо потрібно прикріпити труби до стіни, що містить металеві частини (покриті оловом) або металеві сітки, слід покласти хімічно оброблений шматок дерева товщиною 20 мм або більше між стіною та трубами або обмотати трубу 7–8 витками ізоляційної вінілової стрічки.

Блоки має встановлювати ліцензована електромонтажна підрядна організація відповідно до місцевих нормативних вимог.

- SUZ-SWM80VA2, SUZ-SWM80VAH2, SUZ-SWM100VA, SUZ-SWM100VAH, SUZ-SHWM60VAH

##### Примітка.

Під час роботи повітряно-водяної теплової помпи в умовах низької температури зовнішнього повітря потрібно дотримуватись інструкцій, зазначених далі.

- Забороняється встановлювати зовнішній блок у місцях, де його сторона забору/випуску повітря може піддаватися прямій дії вітру.
- Для запобігання дії вітру зовнішній блок потрібно встановлювати так, щоб його сторона забору повітря була спрямована на стіну.
- Для запобігання дії вітру рекомендується встановити перегородку на стороні випуску повітря зовнішнього блока.

- SUZ-SWM30VA, SUZ-SWM40VA2, SUZ-SWM60VA2, SUZ-SHWM30VAH, SUZ-SHWM40VAH

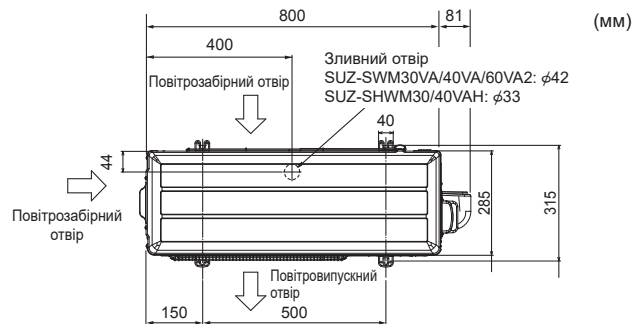
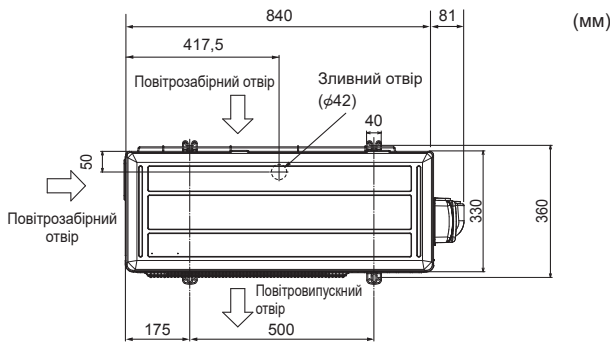
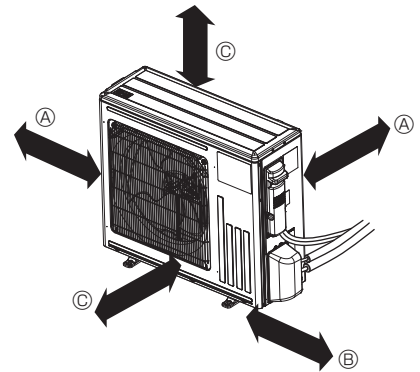
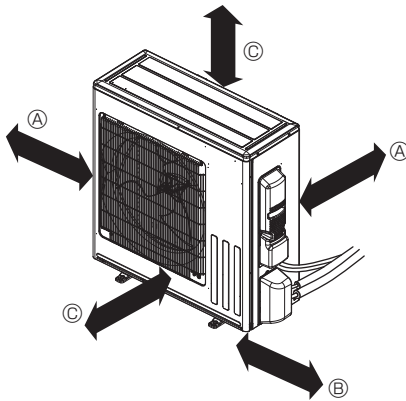


Fig. 3-1

### 4. Дренажні труби для зовнішнього блока (Fig. 4-1)

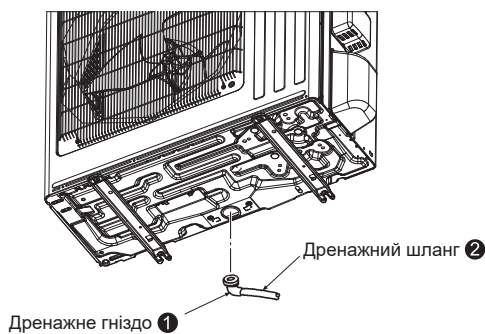


Fig. 4-1

#### 4.1. Допоміжне приладдя

Перед монтажем перевірте наявність указаних нижче деталей.

<Зовнішній блок>

①	Дренажне гніздо	1
---	-----------------	---

- Дренажні труби потрібно прокласти перед під'єднанням внутрішніх і зовнішніх труб. (Буде складно встановити дренажне гніздо ①, якщо під'єднання внутрішніх і зовнішніх труб здійснюватиметься раніше під'єднання дренажних труб, оскільки зовнішній блок стане нерухомим).
- Під'єднайте дренажний шланг ② (його можна придбати в магазині; внутрішній діаметр 15 мм), як вказано на зображенні для дренажу.
- Потрібно забезпечити нахил дренажних труб донизу, щоб вода легко зливалася.

##### Примітка.

Не використовуйте дренажне гніздо ① в регіонах із холодним кліматом. Замерзання дренажу може призвести до зупинки вентилятора. Дренажне гніздо не входить до складу комплекту постачання пристроїв серії SHWM.

## 5. Установлення труб холодоагенту

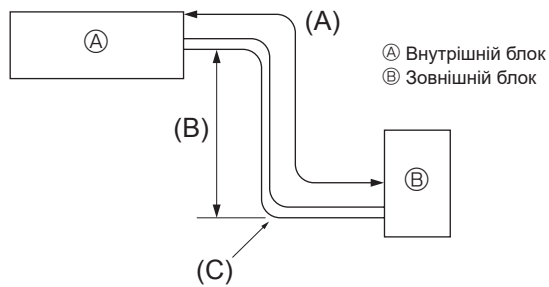


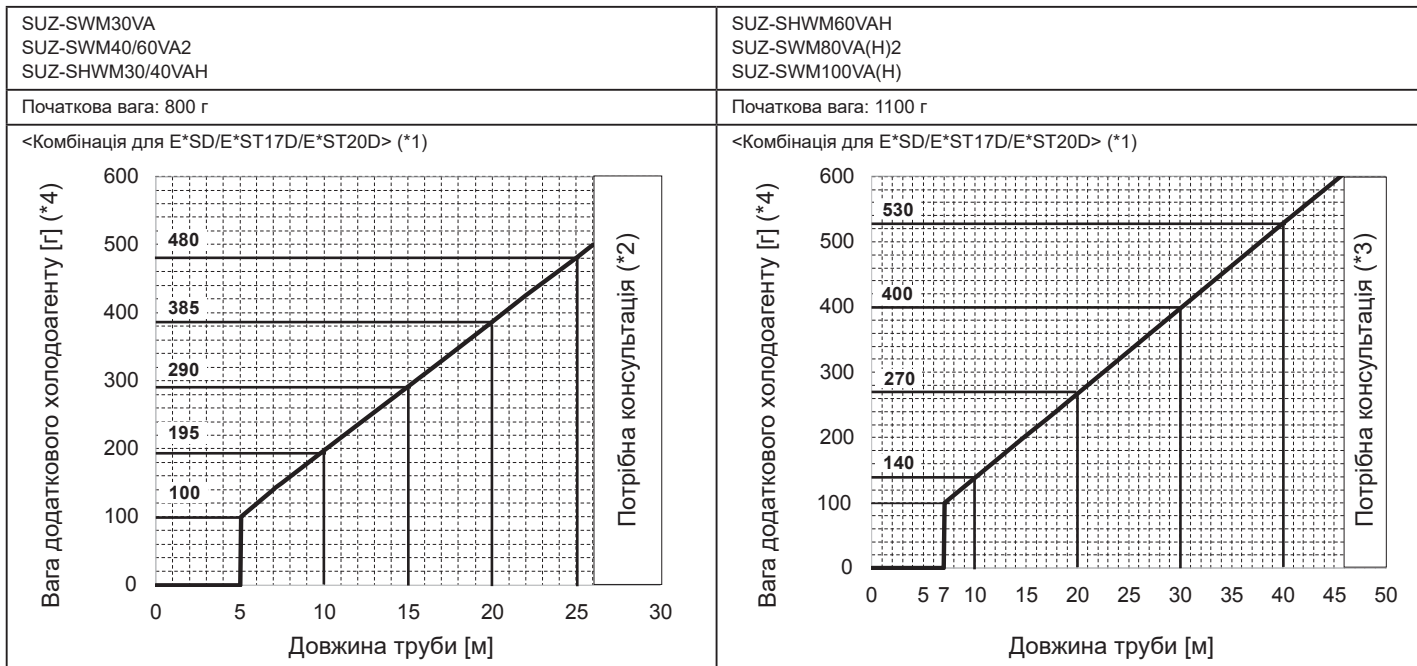
Fig. 5-1

### 5.1. Труба холодоагенту (Fig. 5-1)

► Переконайтеся, що різниця між висотою внутрішнього та зовнішнього блоків, довжина труби холодоагенту та кількість вигинів труби не перевищують указаних нижче значень.

Моделі	(A) Довжина труби (в один бік)	(B) Різниця за висотою	(C) Кількість вигинів (в один бік)
SUZ-SWM30VA	2 м–26 м	Макс. 26 м	Макс. 10
SUZ-SHWM30VAH			
SUZ-SWM40VA2			
SUZ-SHWM40VAH			
SUZ-SWM60VA2	2 м–46 м	Макс. 30 м	
SUZ-SHWM60VAH			
SUZ-SWM80VA(H)2			
SUZ-SWM100VA(H)			

• Обмеження щодо різниці за висотою є обов'язковими незалежно від того, який блок (внутрішній чи зовнішній) розташовано вище.



\*1. У разі під'єднання до E\*ST30D, ЗАВЖДИ додавайте 50 г до додаткової ваги згідно з графіками.

\*2. Якщо довжина труби перевищує 26 м, обов'язково проконсультуйтеся з нашим спеціалістом.

\*3. Якщо довжина труби перевищує 46 м, обов'язково проконсультуйтеся з нашим спеціалістом.

\*4. У разі повного заправлення: початкова вага + вага додаткового холодоагенту.

uk

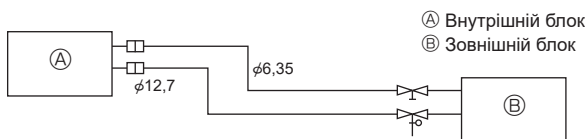


Fig. 5-2

(1) У таблиці нижче наведено технічні характеристики доступних у продажі труб. (Fig. 5-2)

Модель	Труба	Зовнішній діаметр		Мін. товщина стінки	Товщина ізоляції	Ізоляційний матеріал
		у мм	у дюймах			
Усі моделі	Для рідини	6,35	1/4	0,8 мм	8 мм	термостійкий пінопласт із відносно щільністю 0,045.
	Для газу	12,7	1/2	0,8 мм	8 мм	

(2) Переконайтеся, що 2 труби холодоагенту мають достатню ізоляцію для запобігання накопиченню конденсату.

(3) Радіус згинання труби холодоагенту має бути 100 мм або більше.

### ⚠ ОБЕРЕЖНО!

Використовуйте якісну ізоляцію вказаної товщини. Надмірна товщина ізоляційного матеріалу виключає можливість використання поза внутрішнім блоком, а недостатня товщина може призвести до накопичення роси.

- Щоб запобігти займанню, обов'язково забезпечте належну вентиляцію. Крім того, необхідно вживати протипожежних заходів і переконайтесь у відсутності небезпечних або легкозаймистих об'єктів поблизу.
- Сервісна заправка R32. З метою запобігання ризику вибуху внаслідок електричних іскор необхідно забезпечити 100-процентне відключення обладнання від джерела живлення перед сервісною заправкою цього обладнання холодоагентом R32.
- Ізоляційні матеріали мають відповідати наведеним нижче технічним характеристикам.
  - Коефіцієнт теплопередачі: 0,040 Вт/(м·К) або менше
  - Товщина ізоляції: 9 мм або більше
  - Теплостійкість: 110 °C або більше
 Якщо довжина труби зовні перевищує 15 м, товщина ізоляції має становити принаймні 18 мм.

## 5. Установлення труб холодоагенту

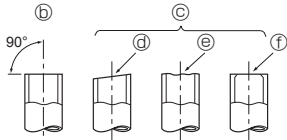
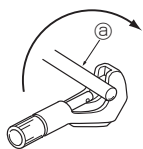


Fig. 5-3

- Ⓐ Мідні труби
- Ⓑ Правильно
- Ⓒ Неправильно
- Ⓓ Під кутом
- Ⓔ Нерівність
- Ⓕ Найявніші задири

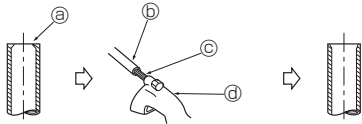


Fig. 5-4

- Ⓐ Задирика
- Ⓑ Мідна труба
- Ⓒ Додатковий розширювач
- Ⓓ Труборіз

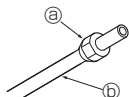


Fig. 5-5

- Ⓐ Конусна гайка
- Ⓑ Мідна труба

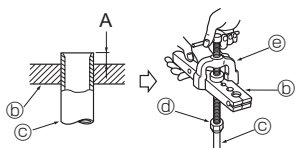
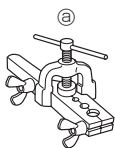


Fig. 5-6

- Ⓐ Вальцювальний інструмент
- Ⓑ Плашка
- Ⓒ Мідна труба
- Ⓓ Конусна гайка
- Ⓔ Скоба

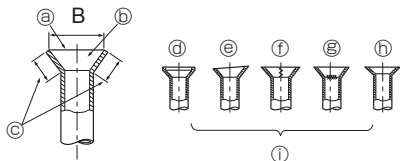


Fig. 5-7

### 5.2. Вальцювання

- Основною причиною витоку газу є дефект вальцювання. Вальцювання слід виконувати так, як показано нижче.

#### 5.2.1. Різання труб (Fig. 5-3)

- Правильне різання мідних труб за допомогою труборіза.

#### 5.2.2. Видалення задилок (Fig. 5-4)

- Повністю видаліть усі задири на поперечному розрізі труби.
- Під час видалення задилок направте кінець мідної труби донизу, щоб уникнути потрапляння задилок у трубу.

#### 5.2.3. Накручування гайки (Fig. 5-5)

- Зніміть конусні гайки на внутрішньому та зовнішньому блоках, потім помістіть їх на трубу, з якої повністю видалено задири. (після вальцювання надіти гайки неможливо)

#### 5.2.4. Вальцювання (Fig. 5-6)

- Вальцювання виконується за допомогою інструмента, як показано ліворуч.

Діаметр труби (мм)	Розміри	
	A (мм)	
	Якщо використовується інструмент для R32	B <sup>+0</sup> <sub>-0,4</sub> (мм)
6,35	Інструмент для вальцювання із захватом	
9,52	0–0,5	9,1
12,7	0–0,5	13,2
15,88	0–0,5	16,6
		19,7

Розміри мідної труби в плашці повинні чітко відповідати тим, які зазначено в таблиці вище.

#### 5.2.5. Перевірка (Fig. 5-7)

- Порівняйте виконану роботу з рисунком ліворуч.
- Якщо розтруб неправильний, відріжте кінцеву частину та виконайте вальцювання повторно.

- Ⓐ Повністю гладенька поверхня
- Ⓑ Внутрішня частина блищить і не має подряпин
- Ⓒ Усюди однакова довжина
- Ⓓ Забагато
- Ⓔ Під кутом
- Ⓕ Подряпина на конусній поверхні
- Ⓖ Тріщина
- Ⓗ Нерівність
- Ⓘ Приклади помилок

- Нанесіть тонкий шар холодильного мастила на поверхню з'єднання труби. (Fig. 5-8)
- Для під'єднання необхідно спочатку вирівняти центр, потім затягнути кінцеву гайку, зробивши перші 3–4 оберти.
- Вказівки щодо секції різьбового з'єднання з боку внутрішнього блока див. в таблиці крутних моментів нижче та використовуйте два ключі для затягування. Надмірне затягування може призвести до пошкодження кінцевої частини.

Зовнішній діаметр мідної труби (мм)	Зовнішній діаметр кінцевої гайки (мм)	Крутний момент затягування (Н·м)
ø6,35	17	14–18
ø9,52	22	34–42
ø12,7	26	49–61
ø15,88	29	68–82

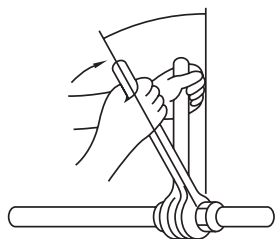


Fig. 5-8

### ⚠ УВАГА!

У разі монтажу приладу потрібно надійно під'єднати труби холодоагенту, перш ніж увімкнути компресор.

### ⚠ УВАГА!

Остерігайтеся вилітання кінцевої гайки! (Під дією внутрішнього тиску)

Відкручуйте гайку зазначеним нижче чином.

1. Відкручуйте гайку, доки не почуєте шипіння.
2. Припиніть відкручувати до повного випуску газу (до зупинки шипіння).
3. Переконайтеся в повному випуску газу, а потім відкрутіть гайку.

## 5. Установлення труб холодоагенту

### 5.3. Порядок виконання продувки й випробувань на герметичність

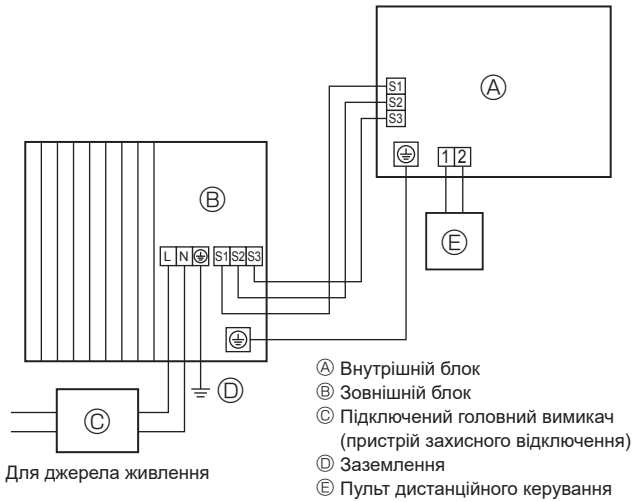


## 6. Електромонтажні роботи

### 6.1. Зовнішній блок (Fig. 6-1, Fig. 6-2, Fig. 6-3)

- ① Зніміть експлуатаційну панель.
- ② Прокладіть кабелі як показано на Fig. 6-1, Fig. 6-2 та Fig. 6-3.

#### ■ SUZ-SHWM60VAH, SUZ-SWM80VA(H)2, SUZ-SWM100VA(H)



#### ■ SUZ-SHWM30/40VAH, SUZ-SWM30VA, SUZ-SWM40/60VA2

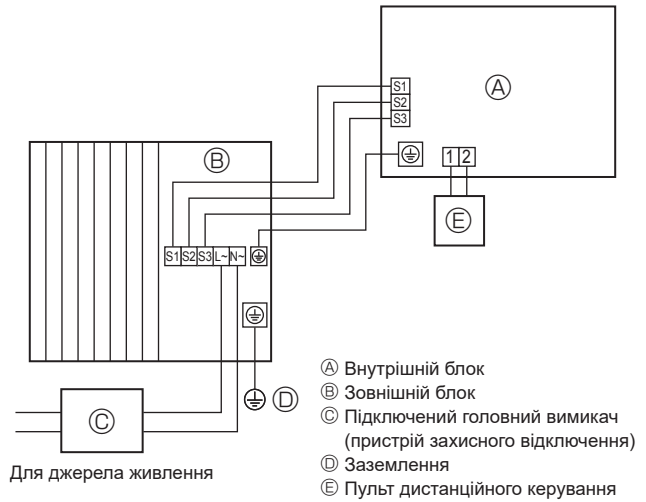


Fig. 6-1

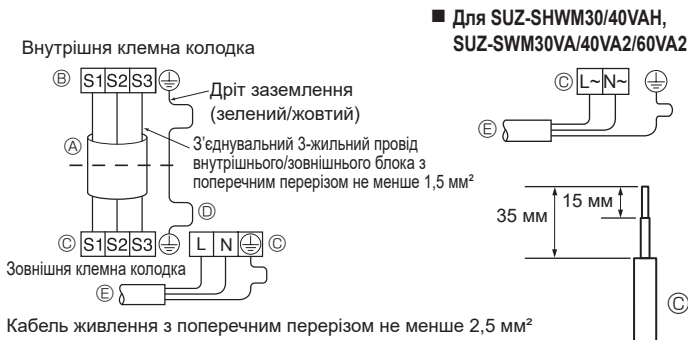
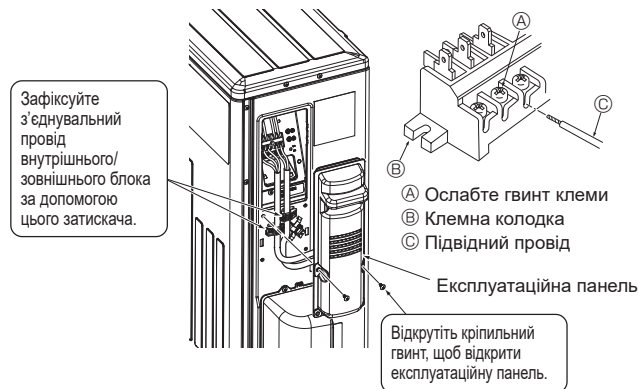


Fig. 6-2

#### ■ SUZ-SWM30VA, SUZ-SWM40VA2, SUZ-SWM60VA2, SUZ-SHWM30VAH, SUZ-SHWM40VAH



#### ■ SUZ-SWM80VA2, SUZ-SWM100VA, SUZ-SWM80VAH2, SUZ-SWM100VAH, SUZ-SHWM60VAH

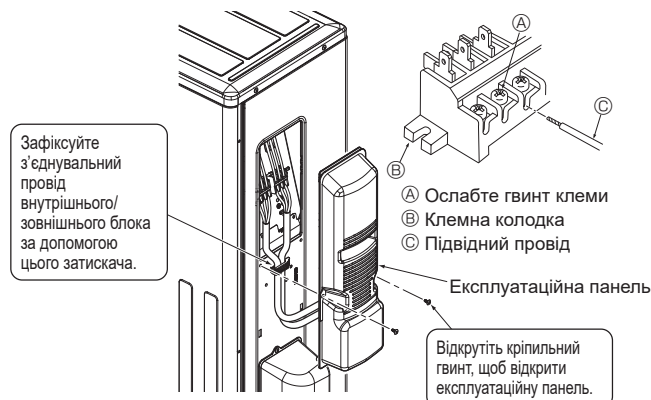


Fig. 6-3

- Під'єднайте провід, як показано на схемі внизу ліворуч. (Придбайте кабель самостійно) (Fig. 6-2)
- Використовуйте кабелі з дотриманням відповідної полярності.

- А З'єднувальний кабель
- Б Внутрішня клемна колодка
- В Зовнішня клемна колодка
- Д Дріт заземлення завжди має бути довшим за інші кабелі.
- Е Кабель живлення
- Ф Підвідний провід

- Дріт заземлення має бути трохи довшим за інші. (Понад 100 мм).
- Потрібно забезпечити додаткову довжину з'єднувальних проводів для обслуговування в майбутньому.
- Під час прикріплення шнура та/або проводу до клемної колодки потрібно переконаватися, що кожен гвинт установлено на відповідну клему.

- Правильно під'єднайте кабель від внутрішнього блока на клемній колодці.
- Використовуйте ту саму клемну колодку й полярність, що й для внутрішнього блока.
- Потрібно забезпечити додаткову довжину з'єднувального кабелю для подальшого технічного обслуговування.

- Обидва кінці з'єднувального кабелю (подовжувача) має бути зачищено. Якщо він надто довгий або під'єднаний шляхом обрізання середини, зачистьте кабель живлення для отримання розміру, указанного на рисунку.
- Уникайте контакту з'єднувального кабелю з трубами.

### ⚠ ОБЕРЕЖНО!

- Будьте уважними під час під'єднання проводів.
- Міцно затягніть гвинти клеми для запобігання їх ослабленню.
- Після затягнення легко потягніть за проводи, щоб переконаватися, що вони не рухаються.

### ⚠ УВАГА!

- Надійно зафіксуйте експлуатаційну панель зовнішнього блока. У разі ненадійного закріплення кришки це може призвести до пожежі або враження електричним струмом через проникнення пилу, води тощо.
- Надійно затягніть гвинти клем.
- Під час під'єднання слід уникати натягу силових кабелів. Від цього вони можуть перегріватись і спричинити пожежу.

## 6. Електромонтажні роботи

### 6.2. Зовнішня електропроводка

Модель зовнішнього блока		SUZ-SHWM30VAH/40VAH SUZ-SWM30VA/40VA2/60VA2	SUZ-SHWM60VAH SUZ-SWM80VA(H)2/SWM100VA(H)
Живлення зовнішнього блока		~/N (одна фаза), 50 Гц, 230 В	~/N (одна фаза), 50 Гц, 230 В
Пропускна спроможність зовнішнього блока: основний перемикач (вимикач) *1		16 А	20 А
№ кабелю з'єднання × розмір (мм <sup>2</sup> )	Живлення зовнішнього блока	2 × мін. 2,5	2 × мін. 2,5
	Заземлення джерела живлення зовнішнього блока	1 × мін. 2,5	1 × мін. 2,5
	Внутрішній блок — зовнішній блок	3 × 1,5 (полярий)	3 × 1,5 (полярий)
	Внутрішній блок — заземлення зовнішнього блока	1 × мін. 1,5	1 × мін. 1,5
Номинальні значення параметрів кола	Зовнішній блок L-N *2	230 В зм. струму	230 В зм. струму
	Внутрішній блок — зовнішній блок S1–S2 *2	230 В зм. струму	230 В зм. струму
	Внутрішній блок — зовнішній блок S2–S3 *2	12 В пост. струму – 24 В пост. струму	12 В пост. струму – 24 В пост. струму

\*1. Необхідний переривник із проміжком між контактами принаймні 3 мм на кожному полюсі. Використовуйте вимикач із функцією захисту на випадок витоку на землю (NV).

Переконайтеся, що вимикач із функцією захисту на випадок витоку струму сумісний із вищими гармоніками.

Завжди використовуйте вимикач із функцією захисту на випадок витоку струму, сумісний із вищими гармоніками, оскільки цей пристрій обладнано інвертором. Використання невідповідного вимикача може призвести до неправильної роботи інвертора.

\*2. Значення НЕ завжди вказано з врахуванням заземлення.

24 В пост. струму застосовується між клемми S3 і S2. Проте між S3 й S1 ці клемми не є електрично ізолювані трансформатором або іншим пристроєм.

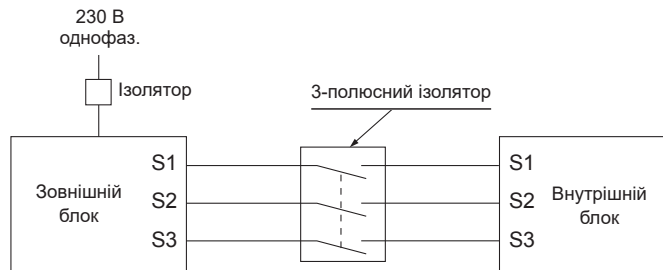
**Примітки. 1.** Розмір кабелів має відповідати застосовним місцевим і державним законам.

**2.** Кабелі живлення та кабелі з'єднання внутрішнього й зовнішнього блоків мають бути не легшими за поліхлорпропеновий броньований гнучкий кабель. (Конструкція 60245 IEC 57).

**3.** Дріт заземлення має бути довшим за інші кабелі.

**4.** Використовуйте негорючі розподільні кабелі для проводки живлення.

**5.** Прокладайте проводку належним чином, щоб виключити контакт із краями листового матеріалу або наконечниками гвинтів.



### ⚠ УВАГА!

Існує потенціал високої напруги на терміналі S3, викликаний конструкцією електричної схеми, яка не має електричної ізоляції між лінією електропередачі та лінією комунікаційного сигналу. Тому завжди вимикайте основний блок живлення під час технічного обслуговування. Забороняється торкатися клем S1, S2, S3, якщо прилад під'єднано до джерела живлення. Якщо ізолятор повинен використовуватися між внутрішнім блоком та зовнішнім блоком, використовуйте 3-полюсний тип.

У жодному разі не під'єднуйте навперехрест кабель живлення або кабель з'єднання внутрішнього та зовнішнього блоків, оскільки це може викликати утворення диму, пожежу або збій зв'язку.

Обов'язково підключіть кабелі зовнішнього/внутрішнього блока безпосередньо до блоків (без проміжних з'єднань).

Проміжні з'єднання можуть призвести до помилок зв'язку, якщо вода потрапляє на кабелі та призводить до недостатньої ізоляції відносно землі або поганого електричного контакту в точці проміжного з'єднання.

## 7. Технічне обслуговування

### 7.1. Заправка газом (Fig. 7-1)

1. Підключіть газовий балон до сервісного отвору запірний клапана (3-ходового).
2. Виконайте продування повітря з труби (або шланга), що виходить із газового балона з холодоагентом.
3. Додайте вказану кількість холодоагенту (у цей час повітряно-водяна теплова помпа має працювати в режимі охолодження).

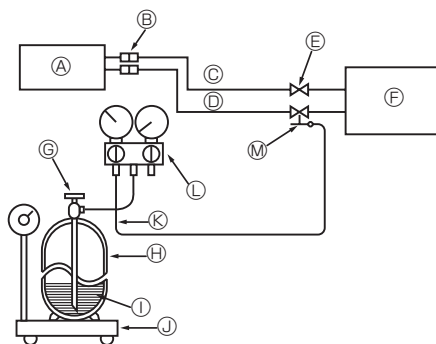
Примітка.

У разі додавання холодоагенту дотримуйтеся вимог щодо його кількості, зазначених для циклу охолодження.

### ⚠ ОБЕРЕЖНО!

- Забороняється випускати холодоагент в атмосферу. Подбайте, щоб холодоагент не потрапив в атмосферу під час монтажу, повторного встановлення чи ремонту контуру холодоагенту.
- Для додаткової заправки холодоагент беруть із газового балона, де він перебуває в рідкій фазі. Якщо для заправки беруть холодоагент у газоподібній фазі, то це може призвести до зміни його складу всередині балона й зовнішнього блока. У такому разі цикл охолодження скорочується й нормальна робота стає неможливою. При цьому швидке заправлення всією кількістю рідкого холодоагенту може призвести до блокування компресора. Тому слід виконувати заправку холодоагентом повільно.

Для підтримання високого тиску в газовому балоні в холодну пору року зігривайте газовий балон теплою водою (з температурою нижче 40 °C). Забороняється використовувати відкритий вогонь або пару.



- |  |   |
|--|---|
| А Внутрішній блок                                  | Н Газовий балон для холодоагенту R32 із сифоном |
| Б З'єднання  | І Холодоагент (рідкий)                          |
| С Труба для рідини                                 | Д Електронні ваги для заправки холодоагентом    |
| Д Газова труба                                     | К Шланг для заправки (для R32)                  |
| Е Запірний клапан                                  | Л Клапан манометричного колектора (для R32)     |
| Ф Зовнішній блок                                   | М Сервісний отвір                               |
| Г Клапан керування газового балона з холодоагентом |   |

Fig. 7-1



## 8. Установлення водопроводу

### 8.1. Мінімальна кількість води

Див. посібник з установлення внутрішнього блоку.

### 8.2. Доступний діапазон (інтенсивність водяного потоку, температура зворотної води)

Підтримуйте у водяному контурі вказаний нижче діапазон витрат води та температур зворотного потоку.

Ці криві пов'язані з об'ємом води.

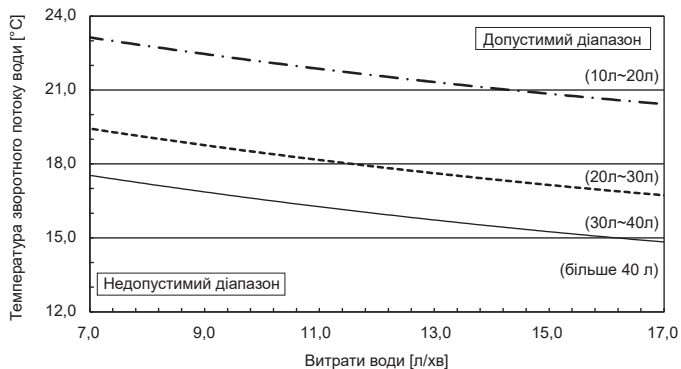
#### ■ Обігрів

SUZ-SWM30VA SUZ-SHWM30VAH

SUZ-SWM40VA2 SUZ-SHWM40VAH

SUZ-SWM60VA2

Мінімальна температура зворотного потоку залежно від об'єму води в системі

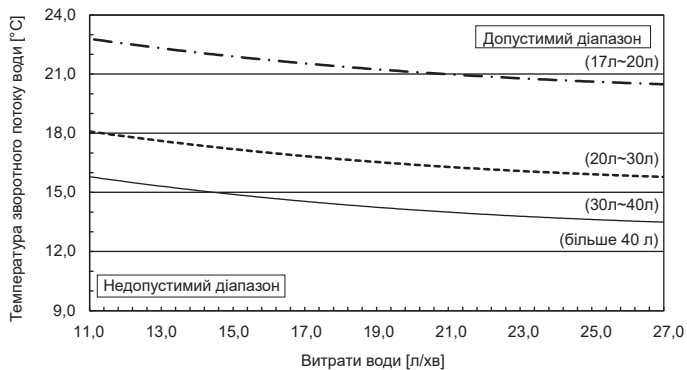


SUZ-SWM80VA(H)2

SUZ-SWM100VA(H)

SUZ-SHWM60VAH

Мінімальна температура зворотного потоку залежно від об'єму води в системі



uk

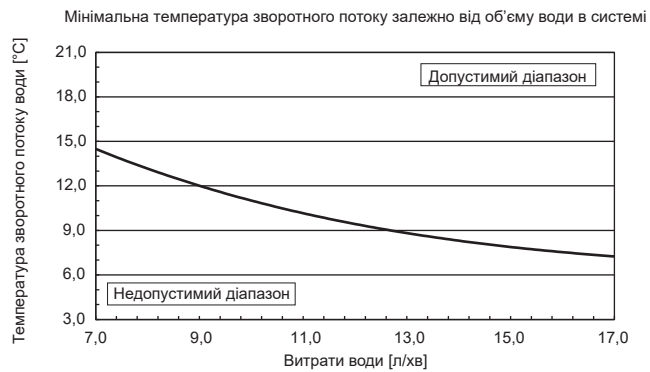
#### Примітка.

- Під час розморожування намагайтеся уникати недопустимого діапазону. Інакше зовнішній блок недостатньо розморозиться та/або теплообмінник внутрішнього блоку замерзне.
- Температура потоку завжди **МАЄ** бути **НЕ** нижчою за 32 °C, коли температура поза приміщенням становить менш ніж -15 °C. Можливе замерзання та пошкодження пластинчатого теплообмінника, а також замерзання зовнішнього теплообмінника через недостатнє розмороження.

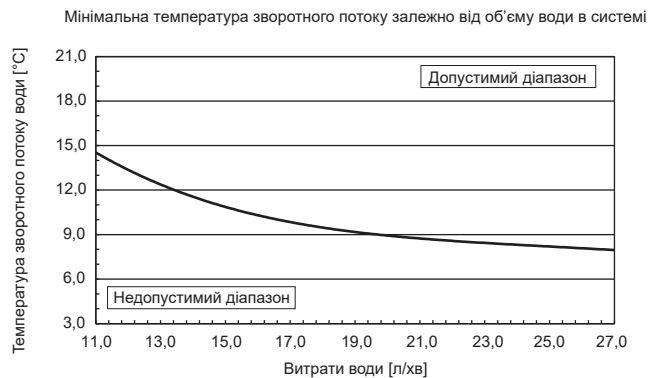
## 8. Установлення водопроводу

### ■ Охолодження

SUZ-SWM30VA SUZ-SHWM30VAH  
SUZ-SWM40VA2 SUZ-SHWM40VAH  
SUZ-SWM60VA2



SUZ-SWM80VA(H)2  
SUZ-SWM100VA(H)  
SUZ-SHWM60VAH



#### Примітка.

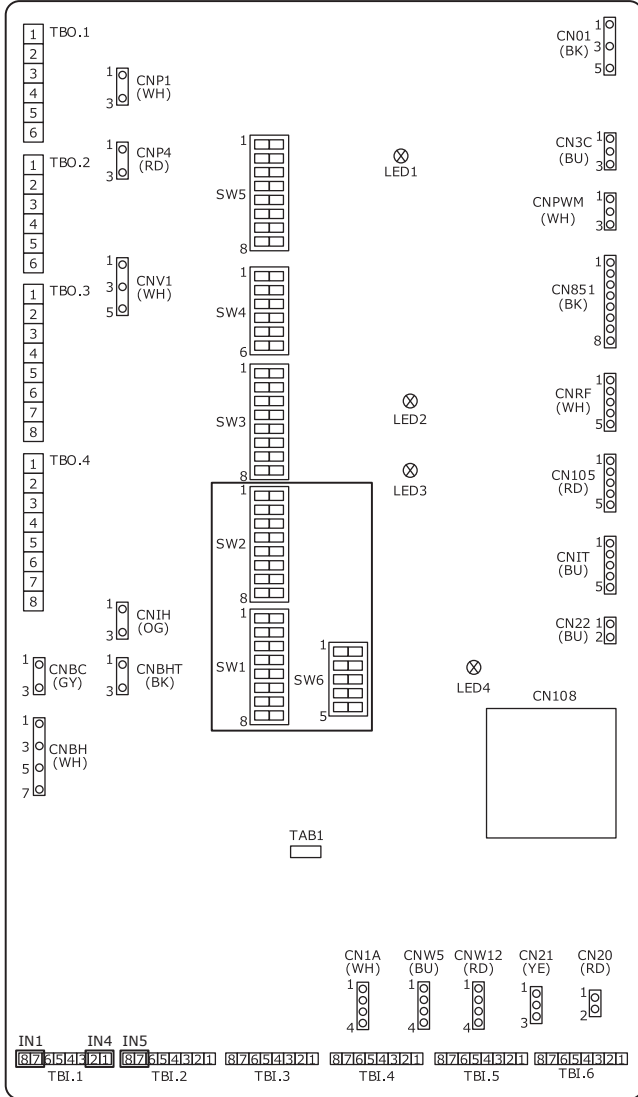
Під час розморожування намагайтеся уникати недопустимого діапазону.

Інакше зовнішній блок недостатньо розморозиться та/або теплообмінник внутрішнього блоку замерзне.

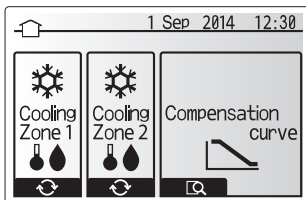
## 9. Відкачування

Перед переміщенням або утилізацією зовнішнього блока потрібно вичакати холодоагент із системи відповідно до процедури, описаної нижче, щоб запобігти викиду холодоагенту в атмосферу.

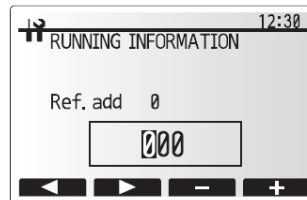
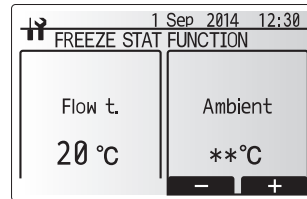
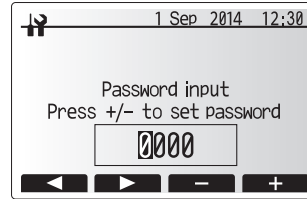
- ① Повністю ВИМКНІТЬ живлення (зокрема внутрішнього блока, обігрівача, зовнішнього блока тощо).
- ② Під'єднайте клапан манометричного колектора до сервісного отвору запірного клапана з боку газової труби зовнішнього блока.
- ③ Повністю закрийте запірний клапан із боку труби для рідини зовнішнього блока.
- ④ Змініть налаштування внутрішнього блока.
  - На внутрішній панелі керування ВИМКНІТЬ дворядні перемикачі SW1-3, SW2-1 і SW6-3 та ВВИМКНІТЬ SW2-4.
  - Від'єднайте входні сигнали IN1 (кімнатний термостат 1), IN4 (керування електроспоживанням) та IN5 (зовнішній термостат).



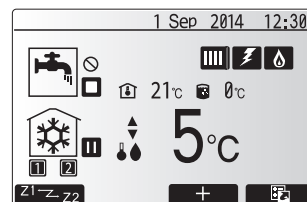
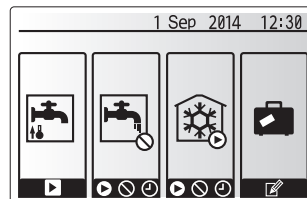
- ⑤ Повністю ВВИМКНІТЬ живлення.
- ⑥ У головному меню головного пульта керування внутрішнього блока виберіть «Heating/cooling mode» (Режим обігріву/охолодження) → «Cooling flow temp.» (Температура потоку охолодження).



- ⑦ У головному меню виберіть «Service» (Обслуговування) і змініть налаштування, як показано нижче. З'явиться запит на введення пароля. СТАНДАРТНИЙ ЗАВОДСЬКИЙ ПАРОЛЬ: «0000».
  - Виберіть «Operation settings» (Параметри роботи) → «Freeze stat function» (Функція датчика замороження) та встановіть для мінімальної температури навколишнього середовища значення «\*» (зірочка).
  - Виберіть «Running information» (Інформація про роботу), а потім установіть для поля «Reference address» значення 351.



- ⑧ Виконайте процедуру збирання холодоагенту.
  - На головному пульті керування натисніть кнопку «ON/OFF» (УВИМК./ВИМК.).
  - У меню параметрів виберіть «Cooling ON» (УВИМКНУТИ охолодження).
  - Установіть цільову температуру потоку 5 °C. Якщо системою керує термостат кімнатної температури, установіть цільову кімнатну температуру 10 °C. Процедура збирання холодоагенту почнеться через 60 секунд.
  - Докладніші відомості про налаштування основного пульта керування викладено в посібнику з установлення та посібнику з експлуатації внутрішнього блока.



Продовження на наступній сторінці.

## 9. Відкачування

- ⑨ Повністю закрийте запірний клапан із боку газової труби зовнішнього блока, коли манометр покаже тиск від 0,05 до 0 МПа (приблизно від 0,5 до 0 кгс/см<sup>2</sup>) і швидко вимкніть зовнішній блок.
- Натисніть кнопку «ON/OFF» (УВИМК./ВИМК.) на пульті дистанційного керування, щоб вимкнути зовнішній блок.
  - \* Зверніть увагу: якщо трубопровід дуже довгий і має значний вміст холодоагенту, то проведення процедури з відкачування холодоагенту може виявитися неможливим. У такому разі слід використовувати спеціальне обладнання для збирання всього холодоагенту в системі.
- ⑩ Відновіть попередні налаштування головного пульта керування, змінені під час виконання процедури з пункту ⑨ вище.
- ⑪ На головному пульті керування внутрішнього блока натисніть кнопку «ON/OFF» (УВИМК./ВИМК.) і утримуйте її приблизно 3 секунди, щоб вимкнути блок.
- ⑫ Відновіть попередні налаштування головного пульта керування, змінені під час виконання процедур, відмінних від описаної в пункті ⑨.
- \* Як повернути налаштування «Running information» (Інформація про роботу): установіть для поля «Reference address» значення 350.
- ⑬ Повністю ВИМКНІТЬ живлення і відновіть попередні налаштування дворядного перемикача на внутрішній друкованій платі.
- ⑭ Зніміть клапан манометричного колектора та від'єднайте труби холодоагенту.

### УВАГА!

Якщо в холодильному контурі є витік, НЕ використовуйте компресор для відкачування.

У разі відкачування холодоагенту потрібно зупинити компресор, перш ніж від'єднувати труби холодоагенту.

- Якщо труби холодоагенту від'єднуються, коли працює компресор і відкрито запірний клапан (кульовий клапан), то під час всмоктування повітря тиск циклу охолодження може стати вкрай високим, що може призвести до розриву труб, травмування тощо.

### ОБЕРЕЖНО!

НЕ використовуйте цей режим ОХОЛОДЖЕННЯ під час підключення до внутрішнього блока, який не дає можливості використовувати режим ОХОЛОДЖЕННЯ для будь-яких потреб, крім відкачування.

## 10. Специфікація

Модель зовнішнього блока		SUZ-SWM30VA	SUZ-SHWM30VAH	SUZ-SWM40VA2	SUZ-SHWM40VAH	SUZ-SWM60VA2
Джерело живлення	В / Фаза / Гц	230 / Одна / 50				
Габарити (Ш × В × Г)	у мм	800 × 714 × 285				
Рівень акустичної потужності (Обігрів)	*1 дБ(А)	57	57	57	58	60
	*2 дБ(А)	54	54	54	55	56

Модель зовнішнього блока		SUZ-SHWM60VAH	SUZ-SWM80VA(H)2	SUZ-SWM100VA(H)
Джерело живлення	В / Фаза / Гц	230 / Одна / 50		
Габарити (Ш × В × Г)	у мм	840 × 880 × 330		
Рівень акустичної потужності (Обігрів)	*1 дБ(А)	60	60	62
	*2 дБ(А)	58	59	60

\*1. Виміряно в умовах номінальної робочої частоти й за температури навколишнього повітря 7 °С (за сухим термометром) / 6 °С (за вологим термометром) і температури води на виході 55 °С

\*2. Виміряно відповідно до вимог стандарту EN12102 згідно з умовами стандарту EN14825

EU DECLARATION OF CONFORMITY  
EU-KONFORMITÄTSEKTLÄRUNG  
DÉCLARATION DE CONFORMITÉ UE  
EU-CONFORMITEITSVERKLARING  
DECLARACIÓN DE CONFORMIDAD UE  
DICHIARAZIONE DI CONFORMITÀ UE  
ΔΗΛΩΣΗ ΣΥΜΜΟΡΦΩΣΗΣ ΕΕ  
DECLARAÇÃO DE CONFORMIDADE UE  
EU-OVERENSSTEMMELSESEKTLÆRING

EG-DEKLARATION OM ÖVERENSSTÄMMELSE  
AV UYGUNLUK BEYAN  
ДЕКЛАРАЦИЯ СООТВЕТСТВИЯ НОРМАМ ЕС  
ДЕКЛАРАЦІЯ ВІДПОВІДНОСТІ ВИМОГАМ ЄС  
ЕС ДЕКЛАРАЦІЯ ЗА СЪОТВЕТСТВИЕ  
DEKLARACJA ZGODNOŚCI UE  
EU-ERKLÆRING OM SAMSVAR  
EU-VAATIMUSTENMUKAISUUSVAKUUTUS  
EU PROHLÁŠENÍ O SHODĚ

EU VYHLÁŠENIE O ZHODE  
EU MEGFELELŐSÉGI NYILATKOZAT  
IZJAVA EU O SKLADNOSTI  
DECLARAȚIE DE CONFORMITATE UE  
EL-I VASTAVUSDEKLARATSIOON  
ES ATBILSTĪBAS DEKLARĀCIJA  
ES ATITIKTIES DEKLARACIJA  
EU IZJAVA O SUKLADNOSTI  
EU IZJAVA O USAGLAŠENOSTI

**MITSUBISHI ELECTRIC CONSUMER PRODUCTS (THAILAND) CO., LTD**  
**700/406 MOO 7, TAMBON DON HUA ROH, AMPHUR MUANG, CHONBURI 20000, THAILAND**

hereby declares under its sole responsibility that the air conditioner(s) and heat pump(s) for use in residential, commercial, and light-industrial environments described below:  
erklärt hiermit auf seine alleinige Verantwortung, dass die Klimaanlage(n) und Wärmepumpe(n) für das häusliche, kommerzielle und leichtindustrielle Umfeld wie unten beschrieben:  
déclare par la présente et sous sa propre responsabilité que le(s) climatiseur(s) et la/les pompe(s) à chaleur destinés à un usage dans des environnements résidentiels, commerciaux et d'industrie légère décrits ci-dessous :  
verklaart hierbij onder eigen verantwoordelijkheid dat de voor huishoudelijke, handels- en lichtindustriële omgevingen bestemde airconditioner(s) en warmtepomp(en) zoals onderstaand beschreven:

por la presente declara, bajo su exclusiva responsabilidad, que el(los) acondicionador(es) de aire y la(s) bomba(s) de calor previsto(s) para su uso en entornos residenciales, comerciales y de industria ligera que se describen a continuación:

conferma con la presente, sotto la sua esclusiva responsabilità, che i condizionatori d'aria e le pompe di calore destinati all'utilizzo in ambienti residenziali, commerciali e semi-industriali e descritti di seguito:

με το παρόν δηλώνει με αποκλειστική ευθύνη ότι το ή τα κλιματιστικά και η ή οι αντλίες θερμότητας για χρήση σε οικιακά, εμπορικά και επαγγελματικά περιβάλλοντα που περιγράφονται παρακάτω:

declara pela presente, e sob sua exclusiva responsabilidade, que o(s) aparelho(s) de ar condicionado e a(s) bomba(s) de calor destinados a utilização em ambientes residenciais, comerciais e de indústria ligeira descritos em seguida:

erklærer hermed under eneansvar, at det/de herunder beskrevne airconditionanlæg og varmepumpe(r) til brug i beboelses- og erhvervs miljøer samt i miljøer med let industri:

intyggar härmed att luftkonditioneringarna och värmepumparna som beskrivs nedan för användning i bostäder, kommersiella miljöer och lätta industriella miljöer:

ev, ticaret ve hafif sanayi ortamlarında kullanıma yönelik aşağıda açıklanan klima ve ısıtma pompalarıyla ilgili aşağıdaki hususları yalnızca kendi sorumluluğunda olmak üzere beyan eder:

настоящим заявляет под свою исключительную ответственность, что кондиционер (-ы) и тепловой (-ые) насос (-ы) для использования в описанных ниже жилых, коммерческих и небольших складских и промышленных помещениях:

цим заявляю, беручи на себе повну відповідальність за це, що кондиціонер (-и) й тепловий (-и) насос (-и), описані нижче й призначені для використання в житлових приміщеннях, торговельних залах і на підприємствах легкої промисловості:

декларира с настоящата на своя собствена отговорност, че климатикъ(т)е и термомпата(ите), посочени по-долу и предназначени за употреба в жилищни, търговски и лекопромишлени среди:

niniejszym oświadczam na swoją wyłączną odpowiedzialność, że klimatyzatory i pompy ciepła do zastosowań w środowisku mieszkalnym, handlowym i lekko przemysłowym opisane poniżej:

erklærer et fullstendig ansvar for undernevnte klimaapparat og varmepumper ved bruk i boliger, samt kommersielle og lettindustrielle miljøer:

vakuuttaa täten yksinomaista vastuutaan, että jäljempänä kuvutat asuinrakennuksiin, pienteeollisuuskäyttöön ja kaupalliseen käyttöön tarkoitettuihin ilmastointilaitteisiin ja lämpöpumpuihin:

tímto na vlastní odpovědnost prohlašuje, že níže popsané klimatizační jednotky a tepelná čerpadla pro použití v obytných prostředích, komerčních prostředích a prostředích lehkého průmyslu:

týmto na svoju výlučnú zodpovednosť vyhlasuje, že nasledovné klimatizačné jednotky a tepelné čerpadlá určené na používanie v obytných a obchodných priestoroch a v prostredí ľahkého priemyslu:

alulírott kizárólagos felelősségére nyilatkozik, hogy az alábbi lakossági, kereskedelmi és kisipari környezetben való használatra szánt klímaberendezés(ek) és hőszivattyú(k):

na lastno odgovornost izjavlja, da so spodaj opisane klimatske naprave in toplotne črpalke, namenjene za uporabo v stanovanjskih, poslovnih in lahkoindustrijskih okoljih:

declară prin prezenta, pe proprie răspundere, faptul că aparatele de climatizare și pompele de căldură descrise mai jos și destinate utilizării în medii rezidențiale, comerciale și din industria ușoară:

kinnitab oma ainuvastutust, et allpool toodud elu-, äri- ja kergtööstuskeskkondades kasutamiseks mõeldud kliimaseadmed ja soojuspumbad:

ar šo, vienpersoniski uzņemoties atbildību, paziņo, ka tālāk aprakstītais(-tie) gaisa kondicionētājs(-i) un siltumsūkņis(-i) ir paredzēti lietošanai dzīvojamajās, komercdarbības un vieglās rūpniecības telpās, kas aprakstītas tālāk:

šiuo vien tik savo atsakomybe pareiškia, kad toliau apibūdintas (-i) oro kondicionierius (-iai) ir šilumos siurblys (-iai), skirtas (-i) naudoti toliau apibūdintose gyvenamosiose, komercinėse ir lengvosios pramonės aplinkose:

ovime izjavljuje pod isključivom odgovornošću da je/su klimatizacijski uređaji(i) i toplinska dizalica(e) opisan(i) u nastavku namijenjen(i) za upotrebu u stambenim i poslovnim okruženjima te okruženjima lake industrije:

ovim izjavljuje na svoju isključivu odgovornost da su klima-uređaji i toplotne pumpe za upotrebu u stambenim, komercijalnim okruženjima i okruženjima lake industrije opisani u nastavku:

**MITSUBISHI ELECTRIC, SUZ-SWM30VA\*, SUZ-SWM40VA\*, SUZ-SWM60VA\*, SUZ-SWM80VA\*, SUZ-SWM100VA\***  
**SUZ-SHWM30VAH\*, SUZ-SHWM40VAH\*, SUZ-SHWM60VAH\*, SUZ-SWM80VAH\*, SUZ-SWM100VAH\***  
**\* : , , 1, 2, 3, . . . , 9**

is/are in conformity with provisions of the following Union harmonisation legislation.  
die Bestimmungen der folgenden Harmonisierungsrechtsvorschriften der Union erfüllen/

erfüllen.  
est/sont conforme(s) aux dispositions de la législation d'harmonisation de l'Union

suivante.  
voldoet/voldoen aan bepalingen van de volgende harmonisatiewetgeving van de Unie.

cumple(n) con las disposiciones de la siguiente legislación de armonización de la Unión.

sono in conformità con le disposizioni della seguente normativa dell'Unione sull'armonizzazione.

συμμορφώνονται με τις διατάξεις της ακόλουθης νομοθεσίας εναρμόνισης της Ένωσης.

está/estão em conformidade com as disposições da seguinte legislação de harmonização da União.

er i overensstemmelse med bestemmelse i følgende harmoniserede EU-lovgivning.

uppfyller villkoren i följande harmoniserade föreskrifter inom unionen.

აşağıdaki Avrupa Birliği uyumlaştırma mevzuatının hükümlerine uygundur.

соответствуют положениям следующих законодательных актов Союза о гармонизации.

2014/35/EU: Low Voltage Directive  
2006/42/EC: Machinery Directive  
2014/30/EU: Electromagnetic Compatibility Directive  
2011/65/EU, (EU) 2015/863 and (EU) 2017/2102: RoHS Directive  
2009/125/EC: Energy-related Products Directive and Regulation (EU) No 813/2013

відповідають положенням вказаного далі законодавства Союзу щодо гармонізації.  
е/са в съответствие с разпоредбите на следното законодателство на Съюза за

хармонизация.  
są zgodne z przepisami następującego unijnego prawodawstwa harmonizacyjnego.

er i samsvar med forskriftene til følgende EU-lovgivning om harmonisering.

ovat seuraavan unionin yhdenmukaistamislainsäädännön säännösten mukaisia.

jsou v souladu s ustanoveními následujících harmonizačních právních předpisů Unie.

spĺňajú ustanovenia nasledujúcich harmonizovaných noriem EÚ.

megfelel(nek) az Unió alábbi harmonizációs jogszabályi előírásainak.

in skladu z določbami naslednje usklajevalne zakonodaje Unije.

sunt în conformitate cu dispozițiile următoare legislații de armonizare a Uniunii.

vastavad järgmiste Euroopa Liidu ühtlustatud õigusaktide sätetele.

atbilst šādiem ES harmonizētajiem tiesību aktu noteikumiem.

taip pat atitinka kitų toliau išvardytų suderintųjų Sąjungos direktyvų nuostatas.

sukladan(i) odredbama sljedećeg zakonodavstva Unije za sukladnost.

u skladu sa odredbama sledećeg usklađivanja zakonodavstva Unije.

## <ENGLISH>

English is original. The other languages versions are translation of the original.

### ▲ CAUTION

- Refrigerant leakage may cause suffocation. Provide ventilation in accordance with EN378-1.
- Be sure to wrap insulation around the piping. Direct contact with the bare piping may result in burns or frostbite.
- Never put batteries in your mouth for any reason to avoid accidental ingestion.
- Battery ingestion may cause choking and/or poisoning.
- Install the unit on a rigid structure to prevent excessive operation sound or vibration.
- The A-weighted sound pressure level is below 70dB.
- This appliance is intended to be used by expert or trained users in shops, in light industry and on farms, or for commercial use by lay persons.

## <DEUTSCH>

Das Original ist in Englisch. Die anderen Sprachversionen sind vom Original übersetzt.

### ▲ VORSICHT

- Wenn Kältemittel austritt, kann dies zu Ersticken führen. Sorgen Sie in Übereinstimmung mit EN378-1 für Durchlüftung.
- Die Leitungen müssen isoliert werden. Direkter Kontakt mit nicht isolierten Leitungen kann zu Verbrennungen oder Erfrierungen führen.
- Nehmen Sie niemals Batterien in den Mund, um ein versehentliches Verschlucken zu vermeiden.
- Durch das Verschlucken von Batterien kann es zu Erstickungen und/oder Vergiftungen kommen.
- Installieren Sie das Gerät auf einem stabilen Untergrund, um übermäßige Betriebsgeräusche oder -schwingungen zu vermeiden.
- Der A-gewichtete Schalldruckpegel ist niedriger als 70dB.
- Dieses Gerät ist vorgesehen für die Nutzung durch Fachleute oder geschultes Personal in Werkstätten, in der Leichtindustrie und in landwirtschaftlichen Betrieben oder für die kommerzielle Nutzung durch Laien.

## <FRANÇAIS>

L'anglais est l'original. Les versions fournies dans d'autres langues sont des traductions de l'original.

### ▲ PRECAUTION

- Une fuite de réfrigérant peut entraîner une asphyxie. Fournissez une ventilation adéquate en accord avec la norme EN378-1.
- Assurez-vous que la tuyauterie est enveloppée d'isolant. Un contact direct avec la tuyauterie nue peut entraîner des brûlures ou des engelures.
- Ne mettez jamais des piles dans la bouche pour quelque raison que ce soit pour éviter de les avaler par accident.
- Le fait d'ingérer des piles peut entraîner un étouffement et/ou un empoisonnement.
- Installez l'appareil sur une structure rigide pour prévenir un bruit de fonctionnement et une vibration excessifs.
- Le niveau de pression acoustique pondéré est en dessous de 70 dB.
- Cet appareil est conçu pour un utilisateur expert ou les utilisateurs formés en magasin, dans l'industrie légère et dans l'agriculture ou dans le commerce par le profane.

## <NEDERLANDS>

Het Engels is het origineel. De andere taalversies zijn vertalingen van het origineel.

### ▲ VOORZICHTIG

- Het lekken van koelvloeistof kan verstikking veroorzaken. Zorg voor ventilatie in overeenstemming met EN378-1.
- Isoleer de leidingen met isolatiemateriaal. Direct contact met de onbedekte leidingen kan leiden tot brandwonden of bevriezing.
- Stop nooit batterijen in uw mond om inslikking te voorkomen.
- Het inslikken van batterijen kan verstikking of vergiftiging veroorzaken.
- Installeer het apparaat op een stabiele structuur om overmatig lawaai of trillingen te voorkomen.
- Het niveau van de geluidsdruk ligt onder 70 dB(A).
- Dit apparaat is bedoeld voor gebruik door ervaren of opgeleide gebruikers in werkplaatsen, in de lichte industrie en op boerderijen, of voor commercieel gebruik door leken.

## <ESPAÑOL>

El idioma original del documento es el inglés. Las versiones en los demás idiomas son traducciones del original.

### ▲ CUIDADO

- Las pérdidas de refrigerante pueden causar asfixia. Se debe proporcionar la ventilación determinada en EN378-1.
- Asegúrese de colocar el aislante alrededor de las tuberías. El contacto directo con la tubería puede ocasionar quemaduras o congelación.
- Para evitar una ingestión accidental, no coloque las pilas en su boca bajo ningún concepto.
- La ingestión de las pilas puede causar asfixia y/o envenenamiento.
- Coloque la unidad en una estructura rígida para evitar que se produzcan sonidos o vibraciones excesivos debidos a su funcionamiento.
- El nivel de presión acústica ponderado A es inferior a 70 dB.
- Este aparato está destinado a su uso por parte de usuarios expertos o capacitados en talleres, industrias ligeras y granjas, o a su uso comercial por parte de personas no expertas.

## <ITALIANO>

Il testo originale è redatto in lingua Inglese. Le altre versioni linguistiche rappresentano traduzioni dell'originale.

### ▲ ATTENZIONE

- Le perdite di refrigerante possono causare asfissia. Prevedere una ventilazione adeguata in conformità con la norma EN378-1.
- Accertarsi di applicare materiale isolante intorno alle tubature. Il contatto diretto con le tubature non schermate può provocare ustioni o congelamento.
- Non introdurre in nessun caso le batterie in bocca onde evitare ingestioni accidentali.
- L'ingestione delle batterie può provocare soffocamento e/o avvelenamento.
- Installare l'unità su una struttura rigida in modo da evitare rumore o vibrazioni eccessivi durante il funzionamento.
- Il livello di pressione del suono ponderato A è inferiore a 70dB.
- Questa apparecchiatura è destinata all'utilizzo da parte di utenti esperti o addestrati in negozi, industria leggera o fattorie oppure a un uso commerciale da parte di persone non esperte.

## <ΕΛΛΗΝΙΚΑ>

Η γλώσσα του πρωτοτύπου είναι η αγγλική. Οι εκδόσεις άλλων γλωσσών είναι μεταφράσεις του πρωτοτύπου.

### ▲ ΠΡΟΣΟΧΗ

- Η διαρροή του ψυκτικού ενδέχεται να προκαλέσει ασφυξία. Φροντίστε για τον εξαερισμό σύμφωνα με το πρότυπο EN378-1.
- Φροντίστε να τυλίξετε με μονωτικό υλικό τη σωλήνωση. Η απευθείας επαφή με τη γυμνή σωλήνωση ενδέχεται να προκαλέσει εγκαύματα ή κρυοπαγήματα.
- Μη βάζετε ποτέ τις μπαταρίες στο στόμα σας για κανένα λόγο ώστε να αποφύγετε την κατά λάθος κατάποσή τους.
- Η κατάποση μπαταριών μπορεί να προκαλέσει πνιγμό ή/και δηλητηρίαση.
- Εγκαταστήστε τη μονάδα σε σταθερή κατασκευή ώστε να αποφύγετε τον έντονο ήχο λειτουργίας ή τους κραδασμούς.
- Η Α-σταθμισμένη στάθμη ηχητικής πίεσης είναι κάτω των 70dB.
- Η Α-σταθμισμένη στάθμη ηχητικής πίεσης είναι κάτω των 70dB.
- Η συσκευή αυτή προορίζεται για χρήση από εμπειρογούς ή εκπαιδευμένους χρήστες σε καταστήματα, στην ελαφριά βιομηχανία και σε αγροκτήματα, ή για εμπορική χρήση από άτομα τα οποία δεν είναι ειδήμονες.

## <PORTUGUÊS>

O idioma original é o inglês. As versões em outros idiomas são traduções do idioma original.

### ▲ CUIDADO

- A fuga de refrigerante pode causar asfixia. Garanta a ventilação em conformidade com a norma EN378-1.
- Certifique-se de que envolva as tubagens com material de isolamento. O contacto directo com tubagens não isoladas pode resultar em queimaduras ou ulcerações provocadas pelo frio.
- Nunca coloque pilhas na boca, por nenhum motivo, para evitar a ingestão accidental.
- A ingestão de uma pilha pode causar obstrução das vias respiratórias e/ou envenenamento.
- Instale a unidade numa estrutura robusta, de forma a evitar ruídos ou vibrações excessivos durante o funcionamento.
- O nível de pressão sonora ponderado A é inferior a 70 dB.
- Este equipamento destina-se a ser utilizado por especialistas ou utilizadores com formação em lojas, na indústria ligeira e em quintas, ou para utilização comercial por leigos.

## <DANSK>

Engels er originalen. De andre sprogversioner er oversættelser af originalen.

### ▲ FORSIGTIG

- Lækage af kølemiddel kan forårsage kvælning. Sørg for udluftning i overensstemmelse med EN378-1.
- Sørg for at pakke rørene ind i isolering. Direkte kontakt med ubeklædte rør kan forårsage forbrændinger eller forfrysninger.
- Batterier må under ingen omstændigheder tages i munden for at forhindre utilsigtet indtagelse.
- Indtagelse af batterier kan forårsage kvælning og/eller forgiftning.
- Installer enheden på en fast struktur for at forhindre for høje driftslyde eller vibrationer.
- Det A-vægtede lydtrykniveau er under 70dB.
- Dette apparat er beregnet til at blive brugt af eksperter eller udlærte brugere i butikker, inden for let industri og på gårde eller til kommerciel anvendelse af lægmænd.

## <SVENSKA>

Engelska är originalspråket. De övriga språkversionerna är översättningar av originalet.

### ▲ FÖRSIKTIGHET

- Köldmedelsläckage kan leda till kvävning. Tillhandahåll ventilation i enlighet med EN378-1.
- Kom ihåg att linda isolering runt rören. Direktkontakt med bara rör kan leda till brännskador eller köldskador.
- Stoppa aldrig batterier i munnen, de kan sväljas av misstag.
- Om ett batteri sväljs kan det leda till kvävning och/eller förgiftning.
- Montera enheten på ett stadigt underlag för att förhindra höga drift ljud och vibrationer.
- Den A-vägdade ljudtrycksnivån är under 70dB.
- Denna apparat är ämnad för användning av experter eller utbildade användare i affärer, inom lätt industri och på lanbruk, eller för kommersiell användning av lekmän.

## <TÜRKÇE>

Aslı İngilizce'dir. Diğer dillerdeki sürümler aslının çevirisidir.

### ▲ DİKKAT

- Soğutucu kaçağı boğulmaya neden olabilir. EN378-1 uyarınca uygun havalandırma sağlayın.
- Borular etrafına yalıtım yapıldığından emin olun. Borulara doğrudan çıplak elle dokunulması yanıklara veya soğuk ısırıklarına neden olabilir.
- Kazara yutmamak için, pilleri kesinlikle hiçbir amaçla ağzınızda tutmayın.
- Pillerin yutulması boğulmaya ve/veya zehirlenmeye yol açabilir.
- Aşırı çalıma seslerini veya titreşimi önlemek için, üniteyi sağlam bir yapı üzerine monte edin.
- A ağırıklı ses gücü seviyesi 70dB'nin altındadır.
- Bu cihaz tıbbi/evlerde, hafif endüstriyel tesislerde ve çiftliklerde uzman veya eğitimli kullanıcılar tarafından kullanılmak üzere veya normal kullanıcılar tarafından ticari kullanım için tasarlanmıştır.

## <РУССКИЙ>

Языком оригинала является английский. Версии на других языках являются переводом оригинала.

### ▲ ОСТОРОЖНО

- Утечка хладагента может стать причиной удушья. Обеспечьте вентиляцию в соответствии с EN378-1.
- Обязательно оберните трубы изоляционным материалом. Непосредственный контакт с неизолированным трубопроводом может привести к ожогам или обморожению.
- Запрещается класть элементы питания в рот по каким бы то ни было причинам во избежание случайного проглатывания.
- Попадание элемента питания в пищеварительную систему может стать причиной удушья и/или отравления.
- Устанавливайте устройство на жесткую структуру во избежание чрезмерного шума или чрезмерной вибрации во время работы.
- Уровень звукового давления по шкале А не превышает 70 дБ.
- Данное устройство предназначено для использования специалистами или обученным персоналом в магазинах, на предприятиях легкой промышленности и фермах или для коммерческого применения не-профессионалами.

## <УКРАЇНСЬКА>

Переклад оригіналу. Текст іншими мовами є перекладом оригіналу.

### ▲ ОБЕРЕЖНО

- Виток холодоагенту може призвести до удушся. Необхідно забезпечити вентиляцію відповідно до стандарту EN 378-1.
- Труби необхідно обмотати ізоляційним матеріалом. Прямий контакт із непокритою трубою може призвести до опіку або обмороження.
- Забороняється класти елементи живлення в рот із будь-яких причин, оскільки є ризик випадково їх проковтнути.
- Попадання елемента живлення в травну систему може стати причиною задхуку та/або отруєння.
- Встановлюйте блок на міцній конструкції, щоб уникнути надмірного рівня звуку роботи або вібрації.
- Рівень амплітудно зваженого акустичного тиску становить нижче 70 дБ.
- Цей прилад призначється для використання спеціалістами або особами, що пройшли відповідне навчання, у крамницях, легкій промисловості та сільськогосподарських підприємствах, а також для комерційного використання неспеціалістами.

## <БЪЛГАРСКИ>

Оригиналът е текстът на английски език. Версиите на други езици са преводи на оригинала.

### ▲ ВНИМАНИЕ

- Изтичането на хладилен агент може да причини задушаване. Осигурете вентилация съобразно с EN378-1.
- Не забравяйте да уветите изолация около тръбите. Директният контакт с оголени тръби може да причини изгаряне или измръзване.
- При никакви обстоятелства не поставяйте батериите в устата си, за да не ги поглънете по невнимание.
- Това може да доведе до задушаване и/или натравяне.
- Монтирайте тялото върху твърда конструкция, за да предотвратите прекомерен шум или вибрации по време на работа.
- А-преглетното ниво на звуково налягане е под 70 dB.
- Този уред е предназначен за използване от експерти или обучени потребители в магазини, в леката промишленост и във ферми, или за търговска употреба от неспециалисти.

## <POLSKI>

Językiem oryginalu jest język angielski. Inne wersje językowe stanowią tłumaczenie oryginalu.

### ▲ UWAGA

- Wyciek czynnika chłodniczego może spowodować uduszenie. Należy zapewnić wentylację zgodnie z normą EN378-1.
- Należy pamiętać, aby owinąć izolację wokół przewodów rurowych. Bezpośredni kontakt z niebezpiecznymi przewodami rurowymi może doprowadzić do poparzeń lub odmrożeń.
- Nie wolno wkładać baterii do ust z jakiegokolwiek powodu, aby uniknąć przypadkowego połknięcia.
- Połknięcie baterii może spowodować zadławienie i/lub zatrucie.
- Zainstalować urządzenie na sztywnej konstrukcji, aby zapobiec nadmiernej hałasowi i wibracjom.
- Poziom dźwięku A nie przekracza 70 dB.
- W sklepach, w przemyśle lekkim i w gospodarstwach rolnych urządzenie powinni obsługiwać profesjonaliści lub przeszkoleni użytkownicy, a w środowisku handlowym mogą to być osoby nieposiadające fachowej wiedzy.

## <NORSK>

Originalspråket er engelsk. De andre språkversjonene er oversettelser av originalen.

### ▲ FORSIKTIG

- Kjølemiddellekkasje kan forårsake kvelning. Sørg for ventilering i samsvar med EN378-1.
- Pass på at isoleringen pakkes godt rundt røret. Direkte kontakt med ukledte rør kan forårsake brannskader eller forfrysninger.
- Aldri plasser batteri i munnen, da dette kan medføre en risiko for at du svelger batteriet ved et uheld.
- Hvis du svelger et batteri, kan du risikere kvelning og/eller forgiftning.
- Installer enheten på en stabil struktur for å forhindre uønsket mye driftsstøy eller vibrering.
- Det A-vektede lydtrykknivået er under 70 dB.
- Dette apparatet er ment for bruk av eksperter eller faglært personell i butikker, lettindustri og på gårder, eller for kommersielt bruk av ikke-fagmenn.

## <SUOMI>

Englantia on alkuperäinen. Muut kieliversiot ovat alkuperäiskappaleen käännöksiä.

### ▲ HUOMIO

- Vuotava kylmäaine voi aiheuttaa tukehtumisen. Ilmanvaihdon on oltava EN378-1-standardin mukainen.
- Kääriä putken ympärille eristysmateriaalia. Paljaan putken koskettamisesta voi seurata palotai paleltumavammoja.
- Älä koskaan laita paristoja suuhun, jotta et vahingossa nielaisisi niitä.
- Paristojen nieleminen voi aiheuttaa tukehtumisen ja/tai myrkytyksen.
- Asenna yksikkö tukeviin rakenteisiin, jotta sen käytöstä ei syntyisi ylimääräistä ääntä tai värinää.
- A-painotettu äänenpainetaso on alle 70 dB.
- Laite on tarkoitettu asiantuntijoiden tai laitteelle koulutuksen saaneiden käyttöön kauppoissa, pienteollisuudessa ja maataloilla tai maailloille kaupalliseen käyttöön.

## <ČEŠTINA>

Originál je v angličtině. Ostatní jazykové verze jsou překladem originálu.

### ▲ POZOR

- Únik chladicího média může způsobit udušení. Zajistěte větrání v souladu s normou EN 378-1.
- Okolo potrubí vždy omotejte izolací. Přímý kontakt s obnaženým potrubím může způsobit popálení nebo omrzliny.
- Nikdy nevkładějte baterie do úst, aby nedošlo k jejich polknutí.
- Polknutí baterie může způsobit zadušení a/nebo otrávu.
- Jednotku nainstalujte na pevnou konstrukci, aby nedocházelo ke vzniku nadměrného provozního hluku a vibrací.
- Hladina akustického tlaku A je nižší než 70 dB.
- Toto zařízení je určeno pro prodejny, lehký průmysl a farmy, kde je musí obsluhovat odborníci a školení uživatelé, a pro komerční použití, kde je mohou obsluhovat laici.

## <SLOVENČINA>

Překlad anglického originálu. Všetky jazykové verze sú preložené z angličtiny.

### ▲ UPOZORNENIE

- Únik chladiva môže spôsobiť udusenie. Zabezpečte vetranie podľa normy EN 378-1.
- Nezabudnite potrubie obaliť izoláciou. Priamy kontakt s nezabaleným potrubím môže spôsobiť popáleniny alebo omrzliny.
- Batérie si nikdy z akéhokoľvek dôvodu nekladte do úst, aby nedošlo k ich náhodnému požitiu.
- Požitie batérií môže vyvolať dusenie a/alebo otrávu.
- Nainštalujte jednotku na pevný konštrukčný prvok, aby ste obmedzili nadmerný prevádzkový hluk a vibrácie.
- Hladina akustického tlaku A je nižšia ako 70 dB.
- Toto zariadenie je určené na používanie odborníkmi alebo zaškolenými používateľmi v komerčných priestoroch, v prostredí ľahkého priemyslu, na farmách, alebo na komerčné použitie bežnými používateľmi.

## <MAGYAR>

Az angol változat az eredeti. A többi nyelvi változat az eredeti fordítása.

### ▲ VIGYÁZAT

- A hűtőközeg szivárgása fulladást okozhat. Gondoskodjon az EN378-1 szabvány elírásai szerinti szellőztetésről.
- Feltétlenül szigetelje körbe a csöveket. A csupaszcso megérintése égési vagy fagyási sérülést okozhat.
- Ne vegyen a szájába elemet semmilyen célból, mert véletlenül lenyelheti!
- A lenyelé elem fulladást és/vagy mérgezést okozhat.
- A készüleket merev szerkezetre szerelje fel, hogy megakadályozza a túlzott üzemi zajt és vibrációt.
- Az A-súlyozott hangnyomásszint 70 dB alatt van.
- A készületek üzemeltetése, a könnyűipar és gazdaságok szakértői vagy képzett felhasználói, valamint laikus felhasználók általi kereskedelmi használatra készült.

## <SLOVENŠČINA>

Izvirnik je v angleščini. Druge jezikovne različice so prevodi izvirnika.

### ▲ POZOR

- Puščanje hladiva lahko povzroči zadušitev. Zagotovite prezračevanje po standardu EN378-1.
- Cevi ovijte z izolacijo. Neposredni stik z golimi cevimi lahko povzroči opekline ali ozebline.
- Nikoli in iz nobenega razloga ne vstavljajte baterij v usta, da jih po nesreči ne pogoltnete.
- Če baterije pogoltnete, se lahko zadužite in/ali zastrupite.
- Enoto namestite na togo konstrukcijo, da preprečite pretiran zvok ali tresljaje med delovanjem.
- A-utežena raven zvočnega tlaka je pod 70 dB.
- Naprava je namenjena za uporabo s strani strokovnih ali ustrezno usposobljenih uporabnikov v trgovinah, lahki industriji in na kmetijah ter za komercialno uporabo s strani nestrokovnih uporabnikov.

## <ROMÂNĂ>

Textul original este în limba engleză. Versiunile pentru celelalte limbi sunt traduceri ale originalului.

### ▲ ATENȚIE

- Scurgerea de agent frigorific poate cauza asfixierea. Asigurați o ventilație corespunzătoare, conform standardului EN378-1.
- Asigurați-vă că înfășurați materialul izolator în jurul conductelor. Contactul direct cu conductele neizolate se poate solda cu arsuri sau degerături.
- Nu introduceți niciodată și pentru niciun motiv bateriile în gură, pentru a evita ingerarea accidentală a acestora.
- Ingerarea bateriilor poate cauza sufocarea și/sau intoxicația.
- Instalați unitatea pe o structură rigidă pentru a preveni producerea unui nivel excesiv de sunete sau vibrații.
- Nivelul de presiune acustică ponderat în A este mai mic de 70 dB.
- Acest aparat este destinat utilizării de către utilizatori specializați sau instruiți în cadrul spațiilor comerciale, spațiilor din cadrul industriei ușoare și al fermelor sau în scopuri comerciale de către nespecialiști.

## <EESTI>

Originaaljuhend on ingliskeelne. Muudes keeltes versioonid on originaali tõlked.

### ▲ ETTEVAATUST!

- Külmaaine leke võib põhjustada lämbumist. Tuulutamine standardi EN378-1 kohaselt.
- Mähkige torude ümber kindlasti isolatsiooni. Vahetu kontakt paljaste torudega võib põhjustada põletusi või külmaahjustusi.
- Hoiduge patareide tahtmatust allaneelamisest, ärge kunagi pange ühelgi põhjusel patareisid suhu.
- Patarei allaneelamine võib põhjustada lämbumist ja/või mürgitust.
- Paigaldage seade järgale struktuurile, et vältida ülemäärast tööheli ja vibreerimist.
- A-filtriga helirõhu tase on madalam kui 70 dB.
- Seade on mõeldud kasutamiseks asjatundjatele ja väljaõppe läbinud kasutajatele poodides, kergtööstuses ja taludes ning kommertskasutuseks tavaisikute poolt.

## <LATVISKI>

Orīgināls ir angļu valodā. Versijas citās valodās ir oriģināla tulkojums.

### ▲ UZMANĪBU

- Aukstumaģenta noplūdes gadījumā pastāv nosmakšanas risks. Ir jānodrošina standartam EN378-1 atbilstoša ventilācija.
- Aptiniet caurules ar izolējošu materiālu. Pieskaroties neaptitām caurulēm, var gūt apdegumus vai apsaldējumus.
- Aizliegts ievietot baterijas mutē; pastāv norīšanas risks.
- Bateriju norīšana var izraisīt aizrīšanas un/vai saindēšanas.
- Uzstādiet iekārtu uz izturīgas struktūras, lai izvairītos no pārlietu liela darbības trokšņa vai vibrācijas.
- A — izsvārotais skaņas spiediena līmenis ir mazāks par 70 dB.
- Šo iekārtu paredzēts lietot speciālistiem vai apmācītiem lietotājiem veikalos, vieglās rūpniecības telpās un lauksaimniecības fermās, kā arī to var lietot nespeciālisti komerciālām vajadzībām.

## <LIETUVIŠKAI>

Originalas yra anglų k. Versijos kitomis kalbomis yra originalo vertimas.

### ▲ ATSARGIAI

- Dėl šaltnešio nuotėkio galima uždušti. Išvėdinkite patalpas pagal EN378-1.
- Būtinai vamzdelius apvyniokite izoliacija. Prisilietus prie plikų vamzdelių galima nusideginti arba nušalti.
- Siekdami išvengti atsitiktinio prarijimo, niekada nedėkite baterijų į burną.
- Prarijus bateriją galima užspringti ir / arba apsinuodyti.
- Įrenginį sumontuokite ant tvirtos struktūros, kad nesigirdėtų pernelyg didelio veikimo triukšmo ar vibracijos.
- A svertinis garso slėgio lygis nesiekia 70 dB;
- Šis prietaisas skirtas naudoti specialistui ar išmokytiems naudotojams dirbtuvėse, lengvojoje pramonėje ar ūkiuose arba komerciniam naudojimui nespecialistams.

## <HRVATSKI>

Tekst je izvorno napisan na engleskom jeziku. Tekst na ostalim jezicima predstavlja prijevod izvorno napisanog teksta.

### ▲ OPREZ

- Curenje rashladnog sredstva može uzrokovati gušenje. Osigurajte ventilaciju u skladu s normom HR EN378-1.
- Obavezno stavite izolaciju oko položjenih cijevi. Izravni doticaj s golim cijevima može dovesti do opekline ili smrzanja.
- Nikada ne stavljajte baterije u usta ni zbog kojeg razloga kako biste izbjegli slučajno gutanje.
- Gutanje baterija može prouzročiti gušenje i/ili trovanje.
- Postavite jedinicu na čvrstu strukturu kako biste izbjegli prebučan zvuk tijekom rada ili pojavu vibracija.
- Razina zvučnog tlaka A niža je od 70dB.
- Ovak uređaj mogu upotrebljavati stručnjaci ili osposobljeni korisnici u trgovinama, lakoj industriji i na poljoprivrednim gospodarstvima ili laici u komercijalne svrhe.

## <SRPSKI>

Prevod originala. Verzije na drugim jezicima su prevodi originala.

### ▲ OPREZ

- Curenje rashladne tečnosti može da dovede do gušenja. Obezbedite ventilaciju u skladu sa EN378-1.
- Obavezno obmotajte izolaciju oko cevi. Direktna kontakt sa golom cevij može izazvati opekotine ili promrzline.
- Nikada nemojte stavljati baterije u usta iz bilo kog razloga, kako bi se sprečilo slučajno gutanje.
- Gutanje baterija može da izazove gušenje i/ili trovanje.
- Ugradite jedinicu na čvrstu strukturu kako biste sprečili previše jak zvuk rada ili vibracije.
- A-ponderisani nivo jačine pritiska zvuka je ispod 70 dB.
- Ovak uređaj je namenjen za upotrebu od strane stručnjaka ili obučeni korisnika u prodavnicama, u lakoj industriji i na farmama ili za komercijalnu upotrebu od strane ne kvalifikovanih lica.

Please be sure to put the contact address/telephone number on this manual before handing it to the customer.

**mitsubishi electric corporation**

HEAD OFFICE: TOKYO BUILDING, 2-7-3, MARUNOUCHI, CHIYODA-KU, TOKYO 100-8310, JAPAN



# Air to Water Heat Pump SUZ-SWM·VA(H) series SUZ-SHWM·VAH series

INSTALLATION MANUAL	FOR INSTALLER	English
INSTALLATIONSHANDBUCH	FÜR INSTALLATEURE	Deutsch
MANUEL D'INSTALLATION	POUR L'INSTALLATEUR	Français
INSTALLATIEHANDLEIDING	VOOR DE INSTALLATEUR	Nederlands
MANUAL DE INSTALACIÓN	PARA EL INSTALADOR	Español
MANUALE DI INSTALLAZIONE	PER L'INSTALLATORE	Italiano
ΕΓΧΕΙΡΙΔΙΟ ΟΔΗΓΙΩΝ ΕΓΚΑΤΑΣΤΑΣΗΣ	ΓΙΑ ΑΥΤΟΝ ΠΟΥ ΚΑΝΕΙ ΤΗΝ ΕΓΚΑΤΑΣΤΑΣΗ	Ελληνικά
MANUAL DE INSTALAÇÃO	PARA O INSTALADOR	Português
INSTALLATIONSMANUAL	TIL INSTALLATØREN	Dansk
INSTALLATIONSMANUAL	FÖR INSTALLATÖREN	Svenska
MONTAJ ELKİTABI	MONTÖR İÇİN	Türkçe
РУКОВОДСТВО ПО УСТАНОВКЕ	ДЛЯ УСТАНОВИТЕЛЯ	Русский
ПОСІБНИК З УСТАНОВЛЕННЯ	ДЛЯ СПЕЦІАЛІСТА З МОНТАЖУ	Українська
РЪКОВОДСТВО ЗА МОНТАЖ	ЗА МОНТАЖНИКА	Български
INSTRUKCJA MONTAŻU	DLA INSTALATORA	Polski
INSTALLASJONSHÅNDBOK	FOR MONTØR	Norsk
ASENNUSOPAS	ASENTAJALLE	Suomi
INSTALAČNÍ PŘÍRUČKA	PRO MONTÁŽNÍ PRACOVNÍKY	Čeština
NÁVOD NA INŠTALÁCIU	PRE MONTÉRA	Slovenčina
TELEPÍTÉSI KÉZIKÖNYV	A TELEPÍTŐ RÉSZÉRE	Magyar
NAMESTITVENI PRIROČNIK	ZA MONTERJA	Slovenščina
MANUAL DE INSTALARE	PENTRU INSTALATOR	Română
PAIGALDUSJUHEND	PAIGALDAJALE	Eesti
MONTĀŽAS ROKASGRĀMATA	UZSTĀDĪŠANAS SPECIĀLISTAM	Latviski
MONTAVIMO VADOVAS	SKIRTA MONTUOTOJUI	Lietuviškai
PRIRUČNIK ZA POSTAVLJANJE	ZA INSTALATERA	Hrvatski
UPUTSTVO ZA UGRADNJU	ZA MONTERA	Srpski

1. Мерки за безопасност	1	6. Електрически работи	9
2. Избор на място за монтаж	3	7. Поддръжка	10
3. Диаграма за монтаж	5	8. Водопроводни тръби	11
4. Отводняване на външното тяло	5	9. Изпомпване	13
5. Тръби за хладилен агент	6	10. Спецификации	14



**Забележка:** Този символ се отнася само за страните от Европейския съюз.

Този символ е съгласно директива 2012/19/ЕС, член 14, **Информация за потребители и Приложение IX.**

Вашият продукт MITSUBISHI ELECTRIC е проектиран и произведен с висококачествени материали и компоненти, които могат да се рециклират и да се използват отново.

Този символ означава, че електрическото и електронното оборудване, в края на експлоатационния му живот, трябва да се изхвърля отделно от битовите отпадъци.

Моля, изхвърлете това оборудване в локалния общински пункт за рециклиране/събиране на отпадъци.

В държавите от Европейския съюз има системи за разделно събиране на излезли от употреба електрически и електронни продукти.

Призоваваме ви да ни помогнете да запазим планетата чиста – тя е нашият дом!

## ⚠ ВНИМАНИЕ:

- Не отвеждайте R32 в атмосферата.

## 1. Мерки за безопасност

- ▶ Преди да монтирате тялото, се уверете, че сте прочели всички „Мерки за безопасност“.
- ▶ Моля, уведомете или получите съгласие от снабдителните дружества, преди свързването към системата.

## ⚠ ПРЕДУПРЕЖДЕНИЕ:

Описва предпазните мерки, които трябва да се спазват, за да се предотврати опасността от нараняване или смърт на потребителя.

## ⚠ ВНИМАНИЕ:

Описва предпазните мерки, които трябва да се спазват, за да се предотврати повреда на тялото.

След приключването на монтажа, обяснете на клиента „Мерките за безопасност“, употребата и поддръжката на тялото според информацията в ръководството за експлоатация и извършете пробно пускане в действие, за да се уверите в нормалната работа. Както ръководството за монтаж, така и ръководството за експлоатация трябва да се предоставят на потребителя за съхранение. Тези ръководства трябва да бъдат предадени на следващите потребители.

⚡ : Обозначава част, която трябва да се заземи.

## ⚠ ПРЕДУПРЕЖДЕНИЕ:

Внимателно прочетете етикетите, прикрепени към основното тяло.

⚡ : Указва предупреждения и символи за внимание при използване на хладилен агент R32.

## ЗНАЧЕНИЯ НА СИМВОЛИТЕ, ПОКАЗАНИ НА ВЪТРЕШНОТО И/ИЛИ НА ВЪНШНОТО ТЯЛО

	<b>ПРЕДУПРЕЖДЕНИЕ</b> (Опасност от пожар)	Този символ се отнася само за хладилен агент R32. Типът хладилен агент е изписан на табелката на външното тяло. Ако хладилният агент е R32, това тяло използва запалим хладилен агент. Ако има изтичане на хладилен агент и той влезе в контакт с огън или нагревателна част, това ще създаде вреден газ и има опасност от пожар.
	Преди работа прочетете внимателно РЪКОВОДСТВОТО ЗА ЕКСПЛОАТАЦИЯ.	
	Обслужващият персонал е задължен да прочете внимателно РЪКОВОДСТВОТО ЗА ЕКСПЛОАТАЦИЯ И РЪКОВОДСТВОТО ЗА МОНТАЖ преди работа.	
	Допълнителна информация е достъпна в РЪКОВОДСТВОТО ЗА ЕКСПЛОАТАЦИЯ, РЪКОВОДСТВОТО ЗА МОНТАЖ и други подобни.	

## ⚠ ПРЕДУПРЕЖДЕНИЕ:

- Тялото не трябва да се монтира от потребителя. Извикайте дилър или оторизиран техник да монтира и ремонтира тялото. Ако тялото е монтирано неправилно, това може да причини изтичане на вода, токов удар или пожар.
- За работи по монтаж и преместване следвайте инструкциите в ръководството за монтаж и използвайте инструменти и тръбни елементи, специално произведени за употреба с хладилен агент R32. Ако се използват тръбни компоненти, които не са проектирани за хладилния агент R32, и тялото не е монтирано правилно, тръбите може да се спукат и да причинят щети или наранявания. В допълнение, може да възникне изтичане на вода, токов удар или пожар.
- Тялото трябва да се монтира в съответствие с инструкциите, за да се сведе до минимум рискът от повреда от земетресения, тайфуни или силни ветрове. Неправилно монтираното тяло може да падне и да причини щети или наранявания.
- Тялото трябва да е здраво монтирано върху конструкция, която може да издържи теглото му. Ако тялото е монтирано върху нестабилна конструкция, то може да падне и да причини повреда или наранявания.
- Ако термопомпата въздух-вода е монтирана в малко помещение, трябва да бъдат взети мерки да се предотврати опасността концентрацията на хладилен агент в помещението да превиши безопасните граници в случай на теч на хладилен агент. Консултирайте се с дилър за подходящите мерки, с които да се предотврати превишаването на допустимата концентрация. Ако възникне теч на хладилен агент и границата на концентрация бъде превишена, това може да доведе до опасност поради липса на кислород в помещението.
- Проветрете помещението, ако изтече хладилен агент по време на работа. Ако хладилен агент попадне в контакт с пламък, ще се отделят отровни газове.
- Всички електрически работи трябва да се извършват от квалифициран техник съгласно местните разпоредби и указанията, дадени в това ръководство. Телата трябва да се защитават от собствени силови линии и трябва да се използват правилни напрежение и прекъсвачи. Силови линии с недостатъчен капацитет или неправилни електрически работи може да доведат до токов удар или пожар.
- Използвайте неокислена фосфорна мед C1220 за произведени от мед или медни сплави безшевни тръби, за да свържете тръбите за хладилен агент. Ако тръбите не са свързани правилно, тялото няма да бъде заземено правилно и това може да доведе до токов удар.
- Този уред е предназначен за използване от експерти или обучени потребители в магазини, в леката промишленост и във ферми, или за търговска употреба от неспециалисти.
- Използвайте само посочените кабели за окабеляване. Свързването на проводниците трябва да се изпълни безопасно без прилагане на опън върху клемните връзки. Също така, никога не снаждайте кабели за окабеляване (освен ако не е изрично упоменато в този документ). Неспазването на тези инструкции може да доведе до прегряване или пожар.
- Ако защитаваният кабел е повреден, той трябва да се подмени от производителя, негов сервизен агент или лица с подобна квалификация, за да се избегнат рискови ситуации.
- Уредът трябва да бъде монтиран в съответствие с националните разпоредби за окабеляване.
- Покриващият панел на клеморедата на външното тяло трябва да се закрепи здраво. Ако покриващият панел е монтиран неправилно и в тялото влезе прах и влага, това може да доведе до токов удар или пожар.

# 1. Мерки за безопасност

- При монтиране, преместване или обслужване на термопомпата въздух-вода използвайте само посочения хладилен агент (R32) за зареждане на линиите за хладилен агент. Не смесвайте с друг хладилен агент и не позволявайте в линиите да остане въздух. Ако въздух се смеси с хладилния агент, това може да стане причина за необичайно високо налягане в линията за хладилен агент и може да доведе до експлозия или други рискови ситуации. Употребата на хладилен агент, различен от изрично упоменатия за системата, ще доведе до механична повреда, неправилно функциониране на системата или повреда на тялото. В най-лошия случай това може сериозно да възпрепятства осигуряването на безопасността на продукта.
- Използвайте само аксесоари, разрешени от Mitsubishi Electric, и извикайте дилър или оторизиран техник да ги монтира. Ако аксесоарите са монтирани неправилно, това може да причини изтичане на вода, токов удар или пожар.
- Не правете промени по тялото. Това може да причини пожар, токов удар, нараняване или изтичане на вода.
- Потребителят никога не трябва да се опитва да ремонтира тялото или да го прехвърля на друго място. Ако тялото е монтирано неправилно, това може да причини изтичане на вода, токов удар или пожар. Ако термопомпата въздух-вода трябва да се ремонтира или премести, се обърнете към търговец или оторизиран техник.
- Когато във веригата за хладилен агент има теч, НЕ извършвайте изпомпване с компресора.
- Когато изпомпвате хладилния агент, спрете компресора, преди да откачите тръбите за хладилен агент. Компресорът може да избухне, ако въздух и т.н. проникне в него.
- След приключването на монтажа проверете за течове на хладилен агент. Ако има изтичане на хладилен агент в помещението и той влезе в контакт с пламъка на нагревател или преносима готварска печка, ще бъдат освободени отровни газове.
- Не използвайте средства за ускоряване на процеса на размразяване или за почистване, различни от тези, препоръчани от производителя.
- Уредът трябва да се съхранява в помещение без постоянно действащи източници на запалване (напр. открити пламъци, работещ газоз уред или работещ електрически нагревател).
- Не пробивайте и не изгаряйте.
- Имайте предвид, че хладилните агенти може да не съдържат миризма.
- ⊙ Тръбите трябва да са защитени от физическа повреда.
- Монтирането на тръби трябва да е сведено до минимум.
- Националните разпоредби относно газа трябва да се спазват.
- Пазете изискваните вентилационни отвори от запушване.
- ⊙ Не използвайте нискотемпературна спояваща сплав в случай на заваряване на тръбите на хладилния агент.
- ⊙ Задължително проветрявайте помещението достатъчно при извършване на запойтелни дейности. Уверете се, че наблизо не се намират опасни или запалими материали. Когато извършвате дейностите в затворено помещение, малко помещение или подобно място, преди това се уверете, че няма течове на хладилен агент. Ако хладилният агент изтича и се натрупва, може да се запали или да се отделят отровни газове.
- ⊙ Уредът трябва да се съхранява в добре проветрива зона, където размерът на помещението съответства на площта, посочена за работа.
- ⊙ Дръжте уреди, работещи с газ, електрически нагреватели и други източници на пламък (източници на запалване) далеч от мястото, където ще се извършват монтажни, ремонтни и други дейности с термопомпата въздух-вода. Ако хладилен агент попадне в контакт с пламък, ще се отделят отровни газове.
- ⊙ Не пушете по време на работа или транспортиране.
- ⊙ Не добавяйте повече от максималното количество хладилен агент за всяко външно тяло. Ако максималното количество хладилен агент бъде превишено, това може да доведе до пожар, когато хладилният агент изтече.

## 1.1. Преди монтаж



### ВНИМАНИЕ:

- Не използвайте тялото в необичайна среда. Ако термопомпата въздух-вода е монтирана в зони, изложени на пара, летливи маслени (включително машинно масло) или серни газове, зони, изложени на високо съдържание на сол, като морско крайбрежие, или в зони, където тялото ще бъде покрито от сняг, производителността може да бъде намалена значително и вътрешните части могат да се повредят.
- Не монтирайте тялото на места, където горими газове могат да изтекат, да се произвеждат, вливат или натрупват. Ако около тялото се натрупа запалим газ, това може да доведе до пожар или експлозия.
- Външното тяло отделя конденз в режим на отопление. Непременно осигурете отводняване около външното тяло, ако такъв конденз е вероятно да причини повреда.
- Когато тялото се монтира в болница или комуникационен офис, трябва да бъдете подготвени за шум и електронна интерференция. Инвертори, домакински уреди, високочестотно медицинско оборудване и радиокомуникационно оборудване могат да причинят повреда или неизправност на термопомпата въздух-вода. Термопомпата въздух-вода може също така да оказва влияние върху медицинско оборудване, като смущава здравните грижи и комуникационното оборудване, и влошава качеството на екранното изображение.

## 1.2. Преди монтаж (преместване)



### ВНИМАНИЕ:

- Бъдете изключително внимателни при транспортиране и монтиране на телата. За преместване на тялото са необходими две или повече лица, тъй като то тежи 20 kg или повече. Не хващайте опаковъчните ленти. Носете предпазни ръкавици, за да извадите тялото от опаковката и да го преместите, тъй като може да нараните ръцете си на ребрата или на ръба на други части.
- Изхвърлете опаковъчните материали по безопасен начин. Опаковъчните материали, като гвоздеи и други метални или дървени части, могат да причинят пробождаване или други наранявания.
- Основата и приставките на външното тяло трябва периодично да се проверяват за разхлабване, напукване или други повреди. Ако такива дефекти се оставят непоправени, тялото може да падне и да причини щети или наранявания.
- Не почиствайте с вода термопомпата въздух-вода. Това може да доведе до токов удар.
- Затегнете всички конусни гайки според спецификацията с помощта на динамометричен ключ. Ако пренатегнете, конусната гайка може да се счупи след продължителен период от време и хладилният агент може да изтече.

## 1.3. Преди електрически работи



### ВНИМАНИЕ:

- Непременно монтирайте прекъсвачи. Ако не бъдат монтирани, това може да доведе до токов удар.
- За кабели към електрическата мрежа използвайте стандартни кабели с достатъчен капацитет. В противен случай това може да доведе до късо съединение, прегряване или пожар.
- При монтиране на кабели към електрическата мрежа не прилагайте опън върху кабелите. Ако връзките са разхлабени, кабелите може да се скъсат или прекъснат, което може да доведе до прегряване или пожар.
- Тялото трябва непременно да се заземи. Не свързвайте заземяващия кабел към газопроводи или водопроводи, гръмоотводи или заземителни кабели на телефонната мрежа. Ако тялото не е правилно заземено, това може да доведе до токов удар.
- Използвайте прекъсвачи (прекъсвач за утечка към земя, изолиращ прекъсвач (+V предпазител) и прекъсвач с лят корпус) с посочения капацитет. Ако капацитетът на прекъсвача е по-голям от посочения, може да възникне повреда или пожар.

# 1. Мерки за безопасност

## 1.4. Преди стартиране на пробното пускане

### ⚠ ВНИМАНИЕ:

- Включете главния захранващ превключвател повече от 12 часа, преди да започнете експлоатацията. Стартирането на експлоатацията точно след включване на захранващия превключвател може сериозно да повреди вътрешните части. Дръжте главния захранващ превключвател включен по време на експлоатационния сезон.
- Преди стартиране на експлоатацията проверете дали всички панели, предпазни средства и други защитни части са монтирани правилно. Въртящи се части, горещи части или части под високо напрежение могат да причинят наранявания.

- Не докосвайте превключвателите с мокри ръце. Това може да доведе до токов удар.
- Не докосвайте тръбите за хладилен агент с голи ръце по време на експлоатация. Тръбите за хладилен агент са горещи или студени в зависимост от състоянието на течещия хладилен агент. Ако докоснете тръбите, може да получите изгаряния или измръзвания.
- След спиране на експлоатацията непременно изчакайте най-малко пет минути, преди да изключите главния захранващ превключвател. В противен случай може да възникне изтичане на вода или повреда.

## 1.5. Използване на хладилен агент R32 за термopомпата въздух-вода

### ⚠ ВНИМАНИЕ:

- Използвайте неокислена фосфорна мед C1220 за произведени от мед или медни сплави безшевни тръби, за да свържете тръбите за хладилен агент. Уверете се, че вътрешната страна на тръбите е чиста и не съдържа вредни замърсители, като например серни съединения, окислителни, остатъци или прах. Използвайте тръби с посочената дебелина. (Вижте 4.1.) Имайте предвид следното, ако използвате повторно съществуващи тръби, които са били напълнени с хладилен агент R22.
  - Подменете съществуващите конусни гайки и отново скосете всички скосени части.
  - Не използвайте тънки тръби. (Вижте 4.1.)
- Съхранявайте тръбите, които ще използвате по време на монтажа, на закрито и дръжте двата края запечатени до самия момент на спояване. (Оставете ъгловите съединения и т.н. в тяхната опаковка.) Ако прах, частици или влага проникнат в линиите за хладилен агент, това може да доведе до влошаване на качеството на маслото или повреда на компресора.
- Използвайте естерно масло, етерно масло, алкилбензеново масло (малко количество) като хладилно масло, приложено към скосените участъци. Ако минерално масло се смеси с хладилно масло, това може да доведе до влошаване на качеството на маслото.

- Обслужването трябва да се извършва само според препоръките на производителя.
- Не използвайте хладилен агент, различен от R32. Ако се използва друг хладилен агент, хлорът ще влоши качеството на маслото.
- Използвайте следните инструменти, специално проектирани за използване с хладилен агент R32. За използването на хладилния агент R32 са необходими следните инструменти. Свържете се с най-близкия дилър, ако имате въпроси.

Инструменти (за R32)	
Манометър	Конусна дъска
Заряден маркуч	Уред за настройване на размера
Детектор за изтичане на газ	Адаптер за вакуумна помпа
Динамометричен ключ	Електронна везна за зареждане на хладилен агент

- Задължително използвайте правилните инструменти. Ако прах, частици или влага проникнат в линиите за хладилен агент, това може да доведе до влошаване на качеството на хладилното масло.

## 2. Избор на място за монтаж

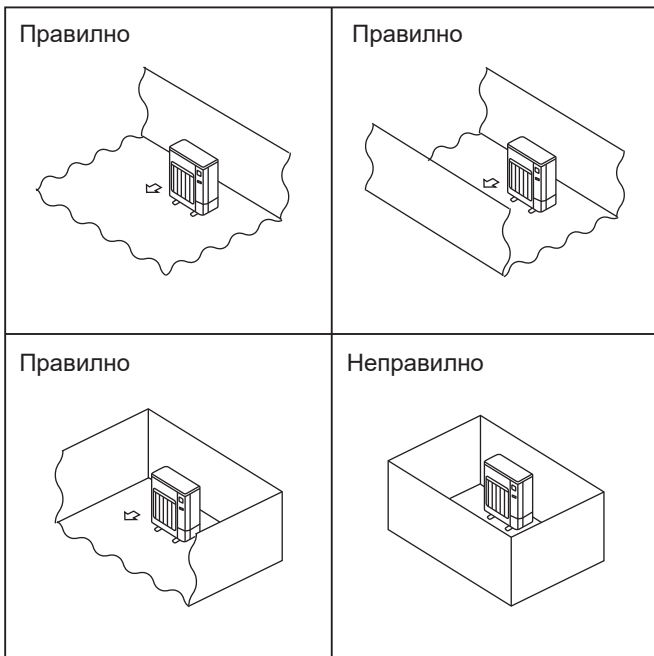


Fig. 2-1

### 2.1. Външно тяло

- R32 е по-тежък от въздуха, както и други хладилни агенти, затова обикновено се натрупва в основата (в близост до пода). Ако R32 се натрупа около основата, той може да достигне запалима концентрация, ако помещението е малко. За да избегнете запалване, е необходимо да поддържате безопасна работна среда, като осигурите подходяща вентилация. Ако бъде потвърден теч на хладилен агент в помещението или зона, където няма адекватна вентилация, не използвайте пламък, докато работната среда не може да бъде подобрена чрез осигуряване на адекватна вентилация.
- Където не е изложено на силен вятър.
- Където има свободен въздушен поток без прах.
- Където не причинява цикъл на недостатъчен въздух.
- Където шумът в работен режим и топлият въздух няма да пречат на никого.
- Където е налична устойчива стена, за да се намалят шумът и вибрацията в работен режим.
- Където няма риск от теч на запалими газове.
- Когато монтирате тялото на голяма височина, погрижете се да подситеgurите краката му.
- Където е на поне 3 m разстояние от антена на телевизор или радио. (В противен случай в картината ще има смущения или ще се генерира шум.)
- Моля, монтирайте тялото на място, където е ограничен снеговалежът и снегонавяването. В зони с обилен снеговалеж, моля, монтирайте навес, основа и/или защитна преграда.
- Монтирайте тялото хоризонтално.
- Връзката на тръбите на хладилния агент трябва да е достъпна с цел техническа поддръжка
- Монтирайте външните тела на място, където поне една от четирите страни е открита, и на достатъчно голямо пространство без понижено атмосферно налягане. (Fig. 2-1)

### ⚠ ВНИМАНИЕ:

Избягвайте следните места за монтаж, на които може да възникне проблем с термopомпата въздух-вода:

- Където има големи количества машинно масло.
- Солена среда, като например зони на морски бряг.
- Зони с горещи извори.
- На места със сулфиден газ.
- Други специални атмосферни зони.

Външното тяло отделя конденз в режим на отопление. Изберете мястото за монтаж така, че външното тяло и/или земята да не бъдат намокрени от оттичаща се вода или повредени от замръзнала вода.

## 2. Избор на място за монтаж

### 2.2. Минимална монтажна площ

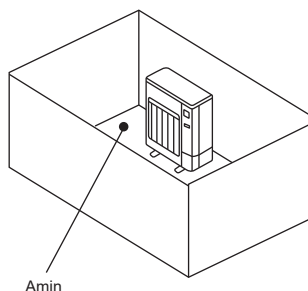
Ако неизбежно сте монтирали тяло на място, където и четирите страни са блокирани или има понижено атмосферно налягане, потвърдете, че е налице една от следните ситуации (А, В или С).

**Забележка:** Тези контрамерки са за поддържане на безопасността, а не за гарантиране на спецификациите.

А) Осигурете достатъчна площ за монтаж (минимална монтажна площ  $A_{min}$ ).

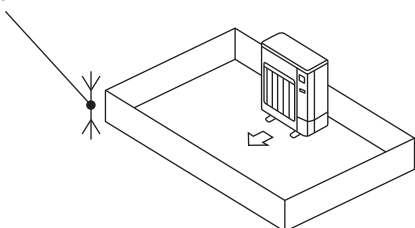
Монтирайте на място с монтажна площ  $A_{min}$  или повече, съответстваща на количеството хладилен агент М (фабрично зареден хладилен агент + локално добавен хладилен агент).

M [kg]	$A_{min}$ [m <sup>2</sup> ]
1,0	12
1,5	17
2,0	23
2,5	28
3,0	34
3,5	39
4,0	45
4,5	50
5,0	56
5,5	62
6,0	67
6,5	73
7,0	78
7,5	84

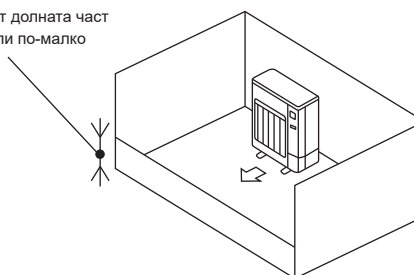


В) Монтирайте на място с височина на понижено атмосферно налягане  $\leq 0,125$  [m].

Височина от долната част  
0,125 [m] или по-малко



Височина от долната част  
0,125 [m] или по-малко

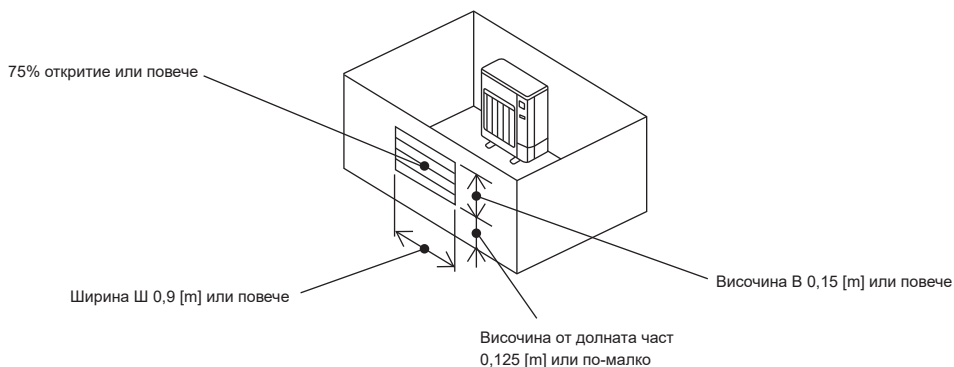


С) Създайте открита зона с подходяща вентилация.

Уверете се, че ширината на откритата зона е 0,9 [m] или повече, а височината на откритата зона е 0,15 [m] или повече.

Въпреки това височината от долната част на монтажното пространство до долния край на откритата зона трябва да е 0,125 [m] или по-малко.

Откритата зона трябва да има откритие 75% или повече.



**Забележка:** Няма ограничения при монтажа на вътрешното тяло поради използването на хладилен агент R32.

Вижте ръководството за монтаж на вътрешното тяло и проверете необходимата площ за монтаж.

### 3. Диаграма за монтаж

#### 3.1. Външно тяло (Fig. 3-1)

Пространство за вентилиране и обслужване

- Ⓐ 100 mm или повече
- Ⓑ 350 mm или повече
- Ⓒ 500 mm или повече

В случай че тръбната връзка се закрепва към стена, съдържаща метали или метална мрежа, използвайте химически обработено парче дърво, дебело 20 mm или повече, между стената и тръбите или навийте 7 до 8 слоя изолационна лента около тръбите.

Телата трябва да се монтират от лицензирани контрактори съгласно изискванията на местното законодателство.

■ SUZ-SWM80VA2, SUZ-SWM80VAH2, SUZ-SWM100VA, SUZ-SWM100VAH, SUZ-SHWM60VAH

**Забележка:**

Когато ползвате термopомпата въздух-вода при ниска външна температура, моля следвайте следните инструкции:

- Не монтирайте външното тяло на място, където страната с вход/изход за въздух е изложена на директен вятър.
- За да предотвратите излагането на вятър, монтирайте външното тяло с входа за въздух, ориентиран към стената.
- За да предотвратите излагането на вятър, монтирайте предпазна преграда откъм изхода за въздух на външното тяло.

■ SUZ-SWM30VA, SUZ-SWM40VA2, SUZ-SWM60VA2, SUZ-SHWM30VAH, SUZ-SHWM40VAH

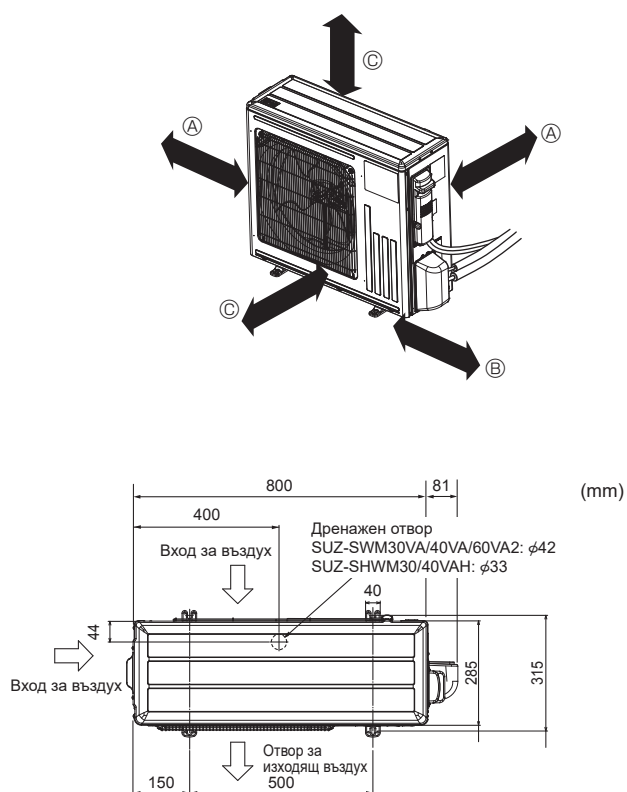
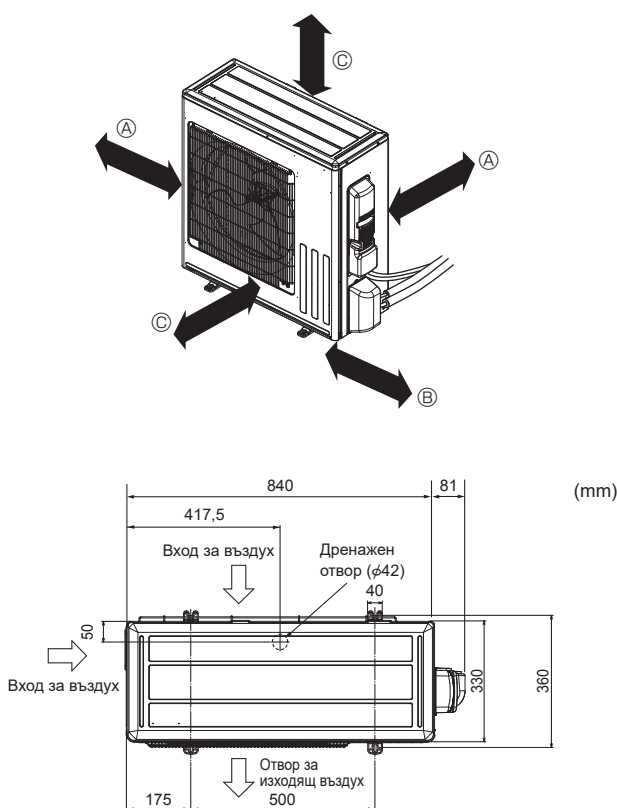


Fig. 3-1

### 4. Отводняване на външното тяло (Fig. 4-1)

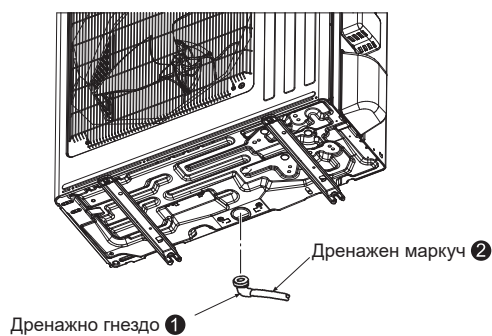


Fig. 4-1

#### 4.1. Аксесоари

Преди монтаж проверете дали разполагате със следното:

<Външно тяло>

①	Дренажно гнездо	1
---	-----------------	---

- Осигурете отводнителна тръба преди тръбното свързване на външното и вътрешното тяло. (Ще бъде трудно да се монтира дренажно гнездо ①, ако вътрешната и външната тръбна връзка е проведена преди отводнителната тръба, тъй като външното тяло става неподвижно.)
- Свържете дренажния маркуч ② (достъпен в търговските обекти, вътрешен диаметър: 15 mm), както е показано на фигурата за дренаж.
- Непременно осигурете отводнителна тръба с наклон за лесно оттичане.

**Забележка:**

Не използвайте дренажното гнездо ① в студени региони. Дренажната течност може да замръзне и да блокира вентилатора.

Дренажното гнездо не е включено в доставката на серия SHWM.

## 5. Тръби за хладилен агент

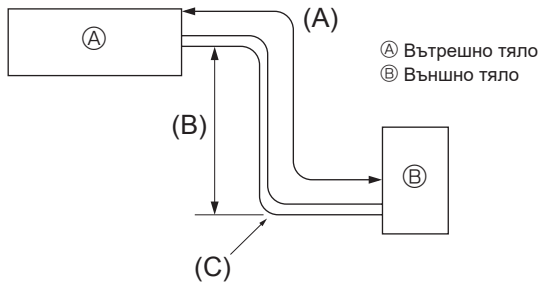


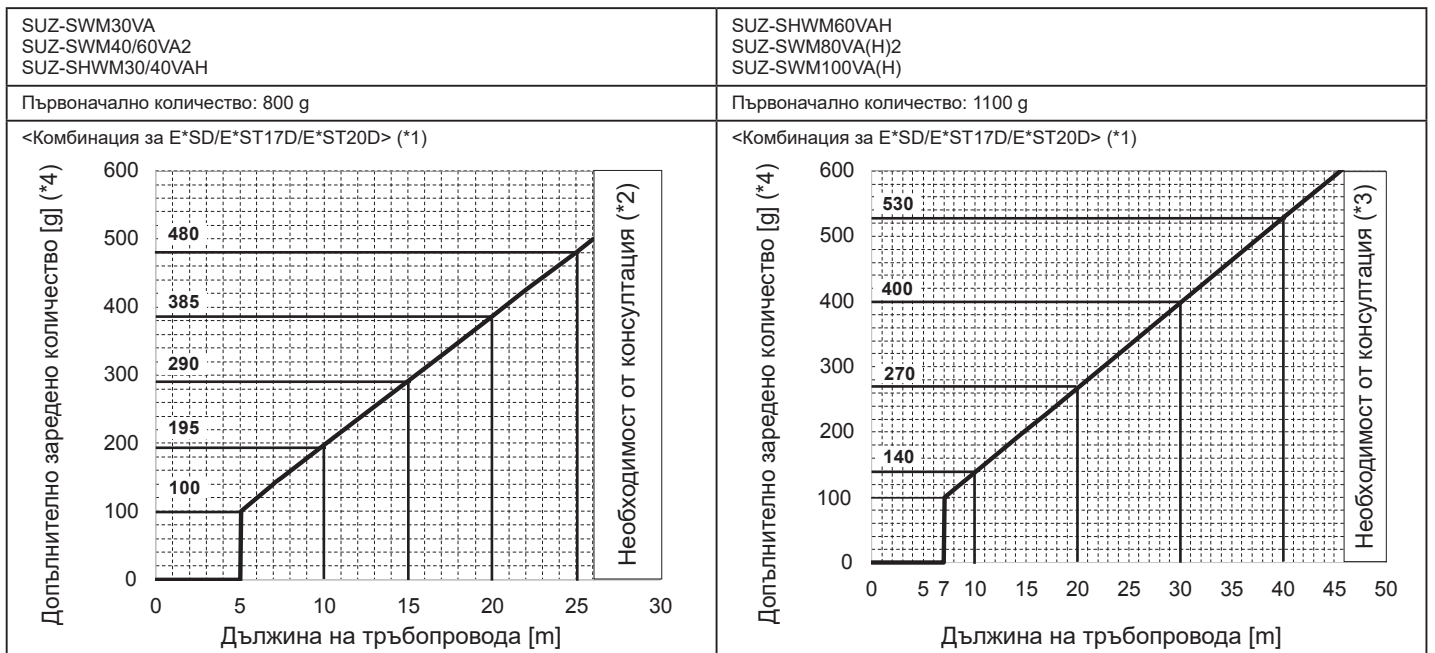
Fig. 5-1

### 5.1. Тръба за хладилен агент (Fig. 5-1)

► Проверете дали разликата между височините на вътрешното и външното тяло, дължината на тръбата за хладилен агент и броят колена в тръбата са в рамките на ограниченията, посочени по-долу.

Модел	(A) Дължина на тръбата (една посока)	(B) Разлика във височината	(C) Брой колена (една посока)
SUZ-SWM30VA	2 m - 26 m	Макс. 26 m	Макс. 10
SUZ-SHWM30VAH			
SUZ-SWM40VA2			
SUZ-SHWM40VAH			
SUZ-SWM60VA2	2 m - 46 m	Макс. 30 m	
SUZ-SHWM60VAH			
SUZ-SWM80VA(H)2			
SUZ-SWM100VA(H)			

• Ограниченията за разлики във височината са задължителни независимо от това кое тяло, вътрешно или външно, е позиционирано по-високо.



\*1. В случай на свързване към E\*ST30D ВИНАГИ добавяйте 50 g към допълнителното заредено количество в съответствие с графиките.

\*2. За дължина на тръбопровода по-голяма от 26 m се консултирайте с наш специалист.

\*3. За дължина на тръбопровода по-голяма от 46 m се консултирайте с наш специалист.

\*4. В случай на пълно презареждане – първоначално + допълнително заредено количество

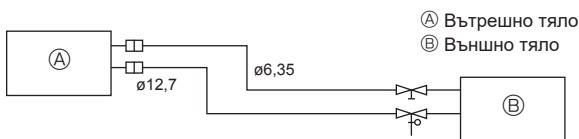


Fig. 5-2

(1) Таблицата по-долу показва спецификациите на достъпните в търговската мрежа тръби. (Fig. 5-2)

Модел	Тръба	Външен диаметър		Мин. дебелина на стената	Дебелина на изолацията	Материал на изолацията
		mm	inch			
Всички модели	За течност	6,35	1/4	0,8 mm	8 mm	Топлоустойчив дунапрен 0,045 относително тегло
	За газ	12,7	1/2	0,8 mm	8 mm	

(2) Уверете се, че 2-те тръби за хладилен агент са добре изолирани, за да се предотврати кондензация.

(3) Радиусът на огъване на тръбите за хладилен агент трябва да бъде 100 mm или повече.



### ВНИМАНИЕ:

Използвайте внимателно изолация с посочената дебелина. Прекомерната дебелина пречи на съхранението зад вътрешното тяло, а малката дебелина причинява конденз.

• Осигурете подходяща вентилация, за да предотвратите запалване. Освен това вземете противопожарни мерки, за да гарантирате липсата на опасни или запалими предмети в обкръжаващата среда.

• Повторно пълнене с R32 за техническа поддръжка: Преди обслужване с повторно пълнене на оборудването с R32 трябва да се уверите, че машината е 100% изключена от захранването, за да се гарантира, че няма риск от експлозия от електрически искри.

• Изолационните материали трябва да отговарят на следните спецификации.

(1) Коефициент на топлопредаване: 0,040 W/mK или по-малък

(2) Дебелина на изолацията: 9 mm или повече

(3) Топлоустойчивост: 110°C или повече

Ако дължината на тръбите отвън е над 15 m, дебелината на изолацията трябва да бъде 18 mm или повече.

## 5. Тръби за хладилен агент

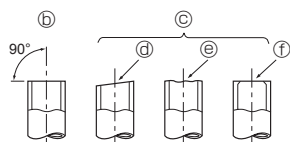
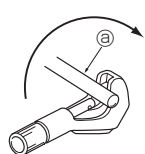


Fig. 5-3

- Ⓐ Медни тръби
- Ⓑ Добро
- Ⓒ Недобро
- Ⓓ Скосено
- Ⓔ Неравномерно
- Ⓕ Със стружки

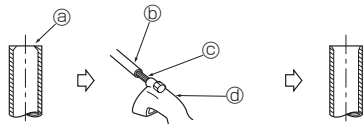


Fig. 5-4

- Ⓐ Стружки
- Ⓑ Медна тръба
- Ⓒ Шабър
- Ⓓ Инструмент зарязане на тръба

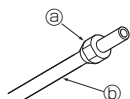


Fig. 5-5

- Ⓐ Конусна гайка
- Ⓑ Медна тръба

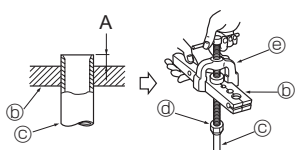
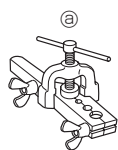


Fig. 5-6

- Ⓐ Инструмент за валцоване
- Ⓑ Матрица
- Ⓒ Медна тръба
- Ⓓ Конусна гайка
- Ⓔ Скоба

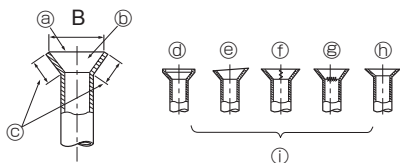


Fig. 5-7

### 5.2. Развалцовка

- Основната причина за течове на газ е дефект в развалцоването. Изпълнете правилно работата по развалцоване в процедурата по-долу.

#### 5.2.1. Рязане на тръбата (Fig. 5-3)

- С помощта на инструмент за рязане на тръби срежете медната тръба правилно.

#### 5.2.2. Отстраняване на стружките (Fig. 5-4)

- Почистете изцяло стружките от среза на тръбата.
- Поставете края на медната тръба надолу, докато я почиствате, за да не попаднат стружки в тръбите.

#### 5.2.3. Поставяне на гайка (Fig. 5-5)

- Отстранете конусните гайки от вътрешното и външното тяло, след това ги поставете на тръбата, след като сте приключили с почистването. (Невъзможно е да се поставят след развалцовката.)

#### 5.2.4. Развалцовка (Fig. 5-6)

- Извършете развалцовката, като използвате инструмент за развалцоване, както е показано отляво.

Диаметър на тръбата (mm)	Размер	
	A (mm)	B <sup>+0</sup> <sub>-0.4</sub> (mm)
	Когато се използва инструментът за R32	
	Тип клещи	
6,35	0 - 0,5	9,1
9,52	0 - 0,5	13,2
12,7	0 - 0,5	16,6
15,88	0 - 0,5	19,7

Дръжте здраво медната тръба в матрица в размера, показан в таблицата по-горе.

#### 5.2.5. Проверка (Fig. 5-7)

- Сравнете развалцоването с фигурите отляво.
- Ако се забелязва, че конусът е дефектен, отрежете развалцованата част и изпълнете развалцоването отново.

- Ⓐ Гладко навсякъде
- Ⓑ Вътре блести без никакви драскотини
- Ⓒ Равномерна дължина навсякъде
- Ⓓ Твърде много
- Ⓔ Скосено
- Ⓕ Надраскване по развалцованата равнина
- Ⓖ Напукано
- Ⓗ Неравномерно
- Ⓘ Примери за лошо развалцоване

- Нанесете тънък слой хладилно масло по повърхността на тръбата. (Fig. 5-8)
- За свързване първо подравнете центъра, след което завъртете с 3 до 4 оборота конусната гайка.
- Използвайте таблицата за сила на затягане по-долу като ориентир за секцията със страничната връзка на вътрешното тяло и затегнете, като използвате два гаечни ключа. Прекаленото затягане поврежда конуса.

Външен диаметър на медна тръба (mm)	Външен диаметър на конусна гайка (mm)	Сила на затягане (N·m)
∅6,35	17	14 - 18
∅9,52	22	34 - 42
∅12,7	26	49 - 61
∅15,88	29	68 - 82

### ⚠ ПРЕДУПРЕЖДЕНИЕ:

Когато монтирате тялото, свържете стабилно тръбите за хладилен агент, преди да пуснете компресора.

### ⚠ ПРЕДУПРЕЖДЕНИЕ:

Внимавайте за изхвърчане на конусната гайка! (С вътрешно налягане) Отстранете конусната гайка, както следва:

1. Разхлабете гайката, докато чуete съскач шум.
2. Не отстранявайте гайката, докато газът не се освободи напълно (т.е. съскащият шум спре).
3. Проверете дали газът се е освободил напълно и след това отстранете гайката.

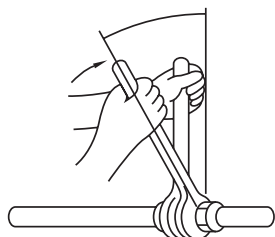


Fig. 5-8



## 5. Тръби за хладилен агент

### 5.3. Вакуумно продухване, тест за херметичност

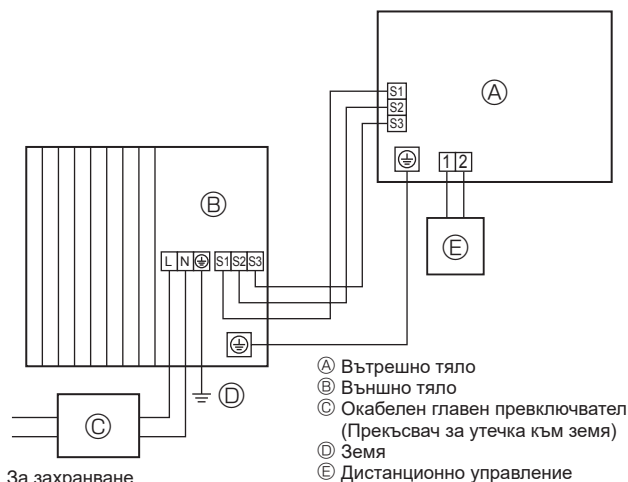


## 6. Електрически работи

### 6.1. Външно тяло (Fig. 6-1, Fig. 6-2, Fig. 6-3)

- ① Отстранете сервисния панел.
- ② Опроводете кабелите, като направите справка с Fig. 6-1, Fig. 6-2 и Fig. 6-3.

#### ■ SUZ-SHWM60VAH, SUZ-SWM80VA(H)2, SUZ-SWM100VA(H)



#### ■ SUZ-SHWM30/40VAH, SUZ-SWM30VA, SUZ-SWM40/60VA2

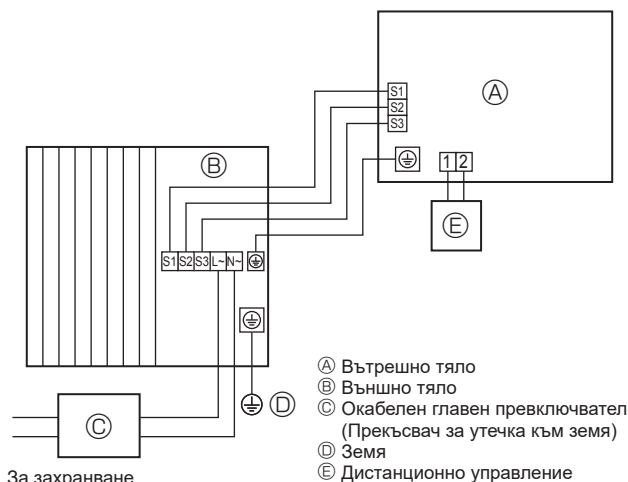


Fig. 6-1

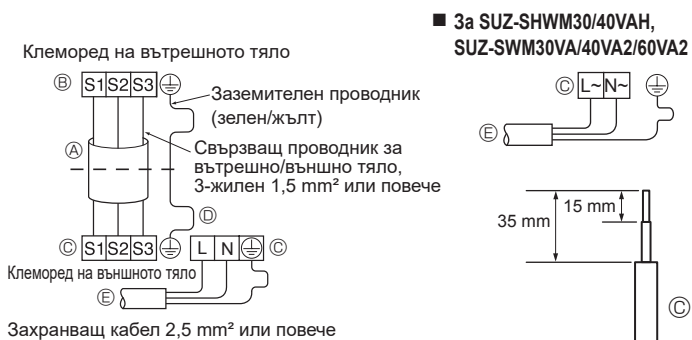
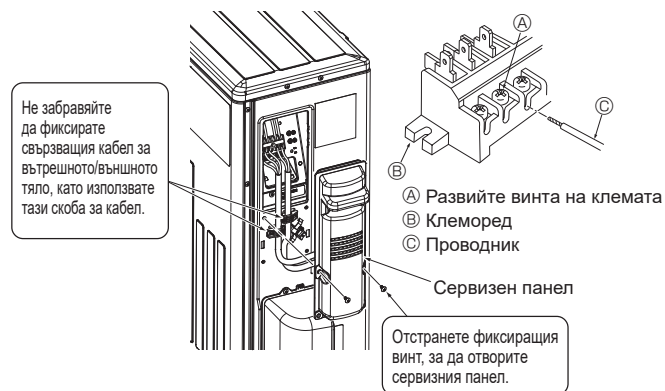


Fig. 6-2

#### ■ SUZ-SWM30VA, SUZ-SWM40VA2, SUZ-SWM60VA2, SUZ-SHWM30VAH, SUZ-SHWM40VAH



#### ■ SUZ-SWM80VA2, SUZ-SWM100VA, SUZ-SWM80VAH2, SUZ-SWM100VAH, SUZ-SHWM60VAH

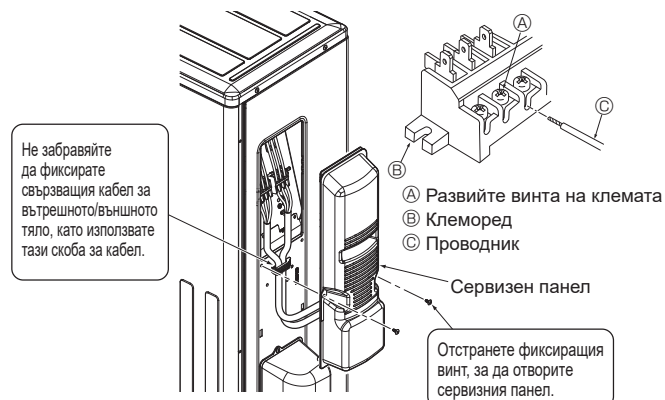


Fig. 6-3

- Изпълнете оприводяването, както е показано на диаграмата долу вляво. (Закупуете кабели от местните магазини) (Fig. 6-2)

Уверете се, че използвате само кабели с правилния поляритет.

- А Свързващ кабел
- Б Клеморед на вътрешното тяло
- В Клеморед на външното тяло
- Г Винаги монтирайте заземяващ кабел, по-дълъг от другите кабели.
- Д Захранващ кабел
- Е Проводник

- Направете заземяващ кабел малко по-дълъг от останалите. (Повече от 100 mm)
- За по-лесно обслужване в бъдеще оставете допълнителна дължина на кабелите за свързване.
- Поставете отново всички винтове на местата им при укрепването на кабела и/или проводниците към клеморедата.

- Свържете кабела от вътрешното тяло правилно към клеморедата.
- Използвайте същия клеморед и поляритет както при вътрешното тяло.
- За последваща поддръжка осигурете допълнителна дължина на свързващия кабел.

- Два края на свързващия кабел (удължителния проводник) са оголени. Когато е твърде дълъг или свързан чрез отрязване на средата, оголете захранващия кабел до размера, посочен на фигурата.
- Внимавайте свързващият кабел да не докосва тръбите.

### ⚠ ВНИМАНИЕ:

- Внимавайте за правилното свързване на проводниците.
- Затегнете здраво винтовете на клемите, за да не се разхлабят.
- След затягането леко дръпнете проводниците, за да се уверите, че не се движат.

### ⚠ ПРЕДУПРЕЖДЕНИЕ:

- Монтирайте добре сервисния панел на външното тяло. Ако той не е монтиран правилно, това може да доведе до пожар или токов удар поради прах, вода и др.
- Затегнете стабилно винтовете на клемите.
- Оприводяването трябва да се извърши така, че силовите линии да не са подложени на опън. В противен случай може да се генерира топлина или да възникне пожар.

## 6. Електрически работи

### 6.2. Електрическо окабеляване на място

Модел на външното тяло		SUZ-SHWM30VAH/40VAH SUZ-SWM30VA/40VA2/60VA2	SUZ-SHWM60VAH SUZ-SWM80VA(H)2/SWM100VA(H)
Електрическо захранване на външното тяло		~/N (единичен), 50 Hz, 230 V	~/N (единичен), 50 Hz, 230 V
Входен капацитет, външно тяло - главен прекъсвачел (Прекъсвач)		*1	16 A
Проводници бр. × размер (mm <sup>2</sup> )	Електрическо захранване на външното тяло	2 × мин. 2,5	2 × мин. 2,5
	Заземяване на захранването на външното тяло	1 × мин. 2,5	1 × мин. 2,5
	Вътрешно тяло-Външно тяло	3 × 1,5 (полюсни)	3 × 1,5 (полюсни)
	Вътрешно тяло-Външно тяло, заземяване	1 × мин. 1,5	1 × мин. 1,5
Номинални спецификации на веригата	Външно тяло L-N	*2	230 VAC
	Вътрешно тяло-Външно тяло S1-S2	*2	230 VAC
	Вътрешно тяло-Външно тяло S2-S3	*2	12 VDC – 24 VDC

\*1. Необходим е прекъсвач с най-малко 3 mm разстояние между контактите във всеки полюс. Използвайте дефектнотокова защита (NV).

Уверете се, че прекъсвачът за ток на утечка е съвместим с по-високи хармоници.

Винаги използвайте прекъсвач за ток на утечка, който е съвместим с по-високи хармоници, тъй като това устройство е оборудвано с инвертор.

Използването на неподходящ прекъсвач може да причини неправилна работа на инвертора.

\*2. Стойностите HE винаги са спрямо земя.

Волтаж 24 VDC между клемата S3 и клемата S2. Между клемите S3 и S1, тези клемите HE са електрически изолирани от преобразувателя или друго устройство.

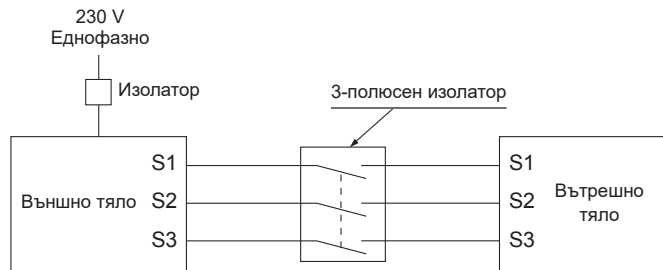
**Забележки:** 1. Оразмеряването на проводниците трябва да отговаря на приложимите местни и национални изисквания.

2. Захранващите кабели и кабелите за свързване на вътрешно/външно тяло не трябва да са по-слаби от гъвкави кабели с обвивка от полихлоропропен. (Конструкция 60245 IEC 57)

3. Монтирайте заземяване, по-дълго от другите кабели.

4. Използвайте самозагасващи разпределителни кабели за окабеляване на захранването.

5. Разположете окабеляването по такъв начин, че да няма контакт с метален ръб или връх на винт.



### ⚠ ПРЕДУПРЕЖДЕНИЕ:

На клемата S3 има потенциал за високо напрежение поради конструкцията на електрическата верига, която няма електрическа изолация между силовата линия и линията за комуникационен сигнал. Затова, моля, изключете главното захранване по време на обслужване. Не докосвайте клемите S1, S2, S3, когато захранването е включено. Ако трябва да се използва изолатор между вътрешното и външното тяло, използвайте 3-полюсен тип.

Никога не снаждайте захранващия кабел или свързващия кабел за вътрешното/външното тяло, в противен случай може да се появи пушек, да възникне пожар или неизправност в комуникацията.

Непременно свържете кабелите за свързване на вътрешно и външно тяло директно към телата (без междинни връзки).

Междинните връзки могат да доведат до комуникационна грешка, ако в кабелите влезе вода, която да причини недостатъчна изолация към земята или лош електрически контакт в точката на междинната връзка.

## 7. Поддръжка

### 7.1. Зареждане на газ (Fig. 7-1)

- Свържете бутилката с газ към сервисния порт на спирателния кран (3-пътен).
- Извършете продухване на въздуха от тръбите (или маркуча), идващи от бутилката с хладилен газ.
- Допълнете определеното количество хладилен агент, като в същото време термопомпата въздух-вода работи в режим на охлаждане.

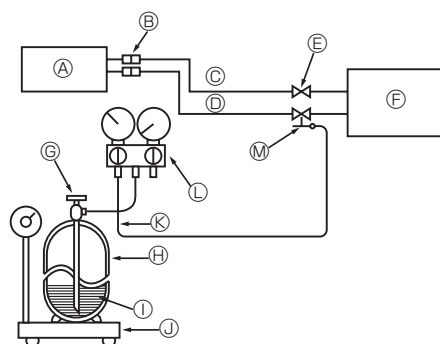
**Забележка:**

В случай на добавяне на хладилен агент, съобразете се с количеството, определено за хладилния цикъл.

### ⚠ ВНИМАНИЕ:

- Не освобождавайте хладилния агент в атмосферата. Погрижете се хладилният агент да не се освобождава в атмосферата по време на монтаж, повторен монтаж или ремонт на веригата за хладилния агент.
- За допълнително зареждане заредете хладилния агент от течна фаза на бутилката с газ. Ако хладилният агент се зареди от газовата фаза, може да възникне промяна в състава на хладилния агент в бутилката и във външното тяло. В този случай производителността на хладилния цикъл може да се намали или може да не е възможна нормална работа. Все пак, зареждането на течен хладилен агент бързо наведнъж може да блокира компресора. Затова зареждайте хладилния агент бавно.

За да се поддържа високо налягане на бутилката с газ, затоплете я с топла вода (при 40°C) през студения сезон. Но никога не използвайте открит огън или пара.



- |  |   |
|--|---|
| Ⓐ Вътрешно тяло                                | Ⓗ Бутилка с хладилен газ за R32 със сифон         |
| Ⓑ Съединение                                   | Ⓘ Хладилен агент (течност)                        |
| Ⓒ Тръба за течност                             | Ⓝ Електронна везна за зареждане на хладилен агент |
| Ⓓ Тръба за газ                                 | Ⓚ Заряден маркуч (за R32)                         |
| Ⓔ Спирателен кран                              | Ⓛ Кран на манометър (за R32)                      |
| Ⓕ Външно тяло                                  | Ⓜ Сервисен порт                                   |
| Ⓖ Кран за управление на бутилка с хладилен газ |   |

Fig. 7-1

## 8. Водопроводни тръби

### 8.1. Минимално количество вода

Вижте ръководството за монтаж на вътрешното тяло.

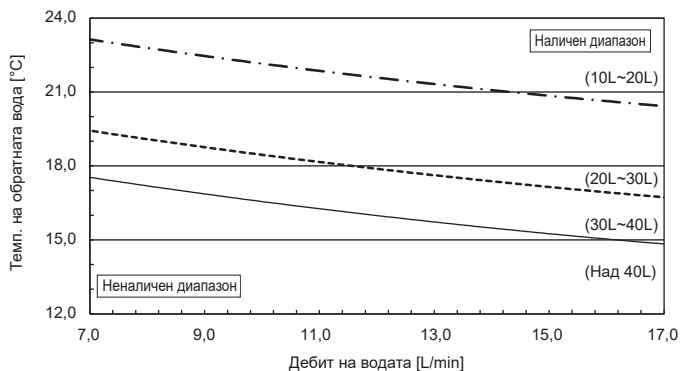
### 8.2. Наличен диапазон (дебит на водата, темп. на обратната вода)

Подсигурете следния дебит на водата и температурен диапазон на обратната вода във водния кръг. Тези криви са свързани с количеството вода.

#### ■ Отопление

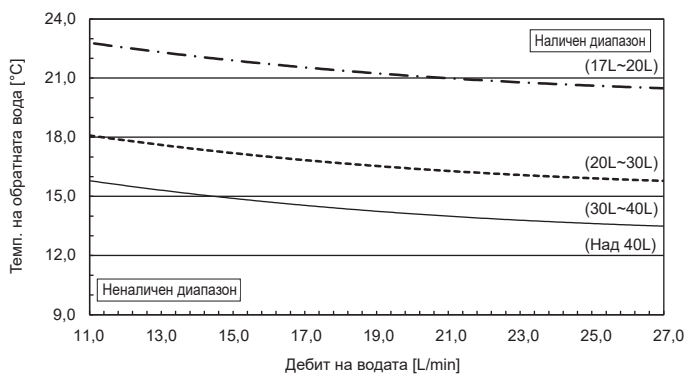
SUZ-SWM30VA SUZ-SHWM30VAH  
SUZ-SWM40VA2 SUZ-SHWM40VAH  
SUZ-SWM60VA2

Минимална температура на обратната вода предвид количеството вода в системата



SUZ-SWM80VA(H)2  
SUZ-SWM100VA(H)  
SUZ-SHWM60VAH

Минимална температура на обратната вода предвид количеството вода в системата



#### Забележка:

- Избягвайте неналичния диапазон по време на процедура по размразяване.

В противен случай външното тяло няма да бъде размразено в достатъчна степен и/или топлообменникът на вътрешното тяло може да замръзне.

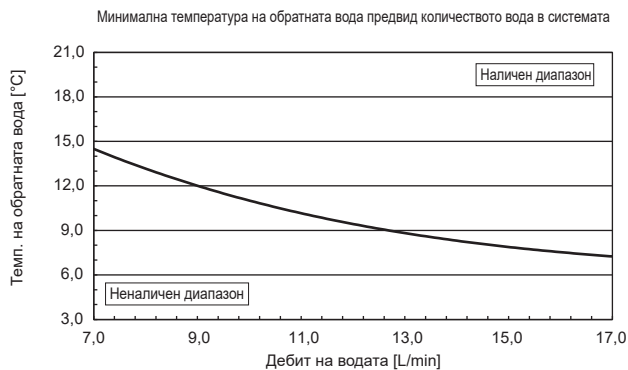
- Температурата на подаващата линия никога НЕ ТРЯБВА да бъде по-ниска от 32°C, когато външната температура падне под -15°C.

Потенциални рискове от замръзване и повреждане на топлообменника на платката, както и външният топлообменник би се обледенил поради недостатъчно размразяване.

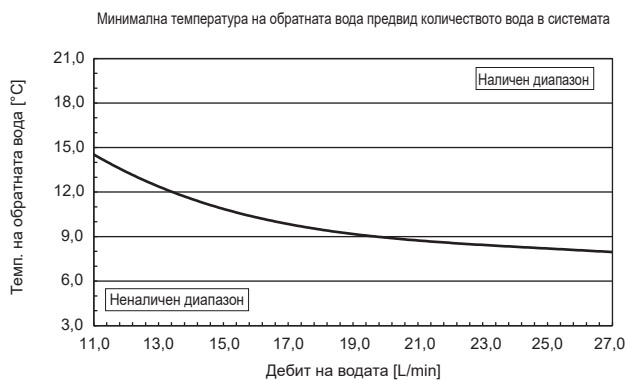
## 8. Водопроводни тръби

### ■ Охлаждане

SUZ-SWM30VA SUZ-SHWM30VAH  
SUZ-SWM40VA2 SUZ-SHWM40VAH  
SUZ-SWM60VA2



SUZ-SWM80VA(H)2  
SUZ-SWM100VA(H)  
SUZ-SHWM60VAH



#### Забележка:

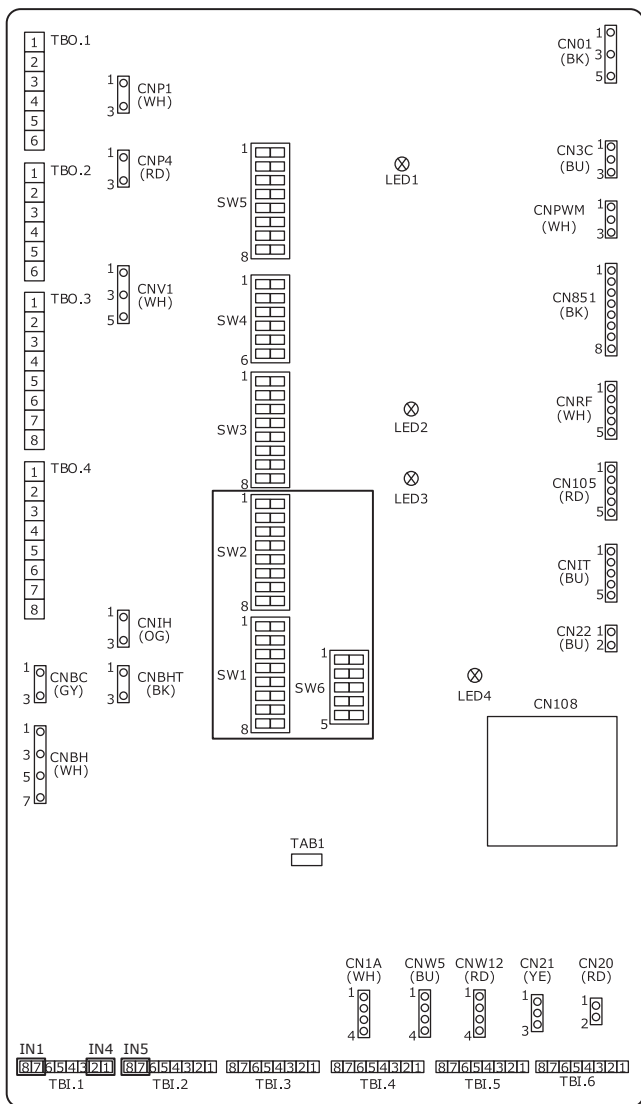
Избягвайте неналичния диапазон по време на процедура по размразяване.

В противен случай външното тяло няма да бъде размразено в достатъчна степен и/или топлообменникът на вътрешното тяло може да замръзне.

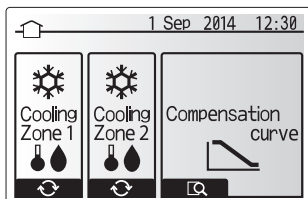
## 9. Изпомпване

При преместване или изхвърляне на външното тяло, изпомпайте системата, следвайки процедурата по-долу, за да не се отдели хладилен агент в атмосферата.

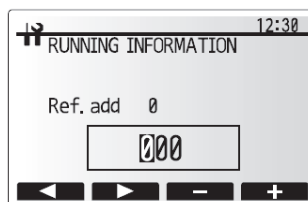
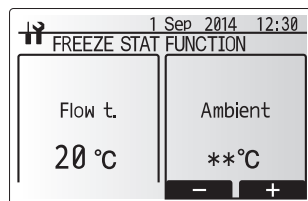
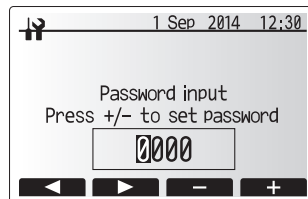
- ① Изключете (OFF) цялата захранваща верига (включително вътрешното тяло, нагревателя, външното тяло и т.н.)
- ② Свържете крана с манометъра към сервисния порт на спирателния кран откъм тръбата за газ на външното тяло.
- ③ Затворете напълно спирателния кран откъм тръбата за течност на външното тяло.
- ④ Променете настройките на вътрешното тяло.
  - Настройте DIP превключвател SW1-3 към OFF, SW2-1 към OFF, SW2-4 към ON и SW6-3 към OFF на контролната платка на вътрешното тяло.
  - Прекъснете връзките към сигналните входове IN1 (вход на термостат в помещението 1), IN4 (вход за контрол по заявка) и IN5 (вход за термостат на външното тяло).



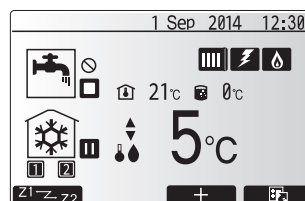
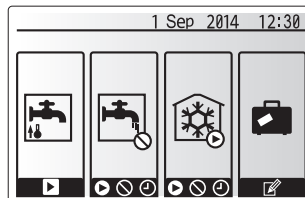
- ⑤ Включете (ON) всички захранващи вериги.
- ⑥ От основното меню на главния контролер на вътрешното тяло изберете „Heating/cooling mode“ (Режим Отопление/Охлаждане) → „Cooling flow temp.“ (Темп. на охлаждащия поток).



- ⑦ От главното меню изберете „Service“ (Обслужване) и променете настройките, както е показано по-долу. Ще бъдете предупредени да въведете парола. ФАБРИЧНАТА ПАРОЛА ПО ПОДРАЗБИРАНЕ Е „0000“.
  - Изберете „Operation settings“ (Работни настройки) → „Freeze stat function“ (Функция за наблюдение за замръзване) и след това задайте минималната външна околна температура на \*(звездичка).
  - Изберете „Running information“ (Информация за работа), след което за референтен адрес задайте 351.



- ⑧ Изпълнете процедурата по събиране на хладилния агент.
  - Натиснете бутона „ON/OFF“ на главния контролер.
  - От менюто с опции задайте „Cooling ON“ (Охлаждане ВКЛ.).
  - Задайте целевата температура на 5 °C. Ако системата се управлява чрез термостат за температурата в помещението, настройте целевата температура в помещението на 10 °C.
  - За подробности или друга информация относно настройките на главния контролер вижте ръководството за монтаж или ръководството за експлоатация за вътрешното тяло.



Продължава на следващата страница.

## 9. Изпомпване

- ⑨ Затворете напълно спирателния кран откъм тръбата за газ на външното тяло, когато манометърът показва 0,05 до 0 МРа [Gauge] (приблиз. 0,5 до 0 kgf/cm<sup>2</sup>) и бързо спрете външното тяло.
- Натиснете бутона „ON/OFF“ на дистанционното управление, за да спрете външното тяло.
  - \* Обърнете внимание, че когато удължителната тръба е много дълга с голямо количество хладилен агент, е възможно операцията по изпомпването да не може да се изпълни. В този случай използвайте оборудване за възстановяване на хладилния агент, за да съберете цялото количество хладилен агент в системата.
- ⑩ Върнете настройката на главния контролер, която бе променена по време на процедура ⑧ по-горе.
- ⑪ Натиснете бутона „ON/OFF“ за около 3 секунди на главния контролер на вътрешното тяло, за да го спрете.
- ⑫ Върнете настройките на главния контролер, които бяха променени във всички останали процедури, с изключение на ⑧.
- \* Как да се настрои обратно „Running information“ (Информация за работа):  
За референтен адрес задайте 350.
- ⑬ Изключете (OFF) всички захранващи вериги и върнете настройките на DIP превключвателите на платката на вътрешното тяло така, както бяха.
- ⑭ Отстранете крана на манометъра и след това прекъснете връзката към тръбите за хладилен агент.



### ПРЕДУПРЕЖДЕНИЕ:

Когато във веригата за хладилен агент има теч, НЕ извършвайте изпомпване с компресора.

Когато изпомпвате хладилния агент, спрете компресора, преди да откачите тръбите за хладилен агент.

- Ако тръбите за хладилен агент са откачени, докато компресорът работи и спирателният кран (сферичният вентил) е отворен, налягането в хладилния цикъл може да се повиши прекомерно, ако проникне въздух, което ще причини спукване на тръбите, физическо нараняване и др.



### ВНИМАНИЕ:

НЕ използвайте този режим на ОХЛАЖДАНЕ, когато свързвате към вътрешно тяло, което не позволява режим на ОХЛАЖДАНЕ за цели, различни от изпомпване.

## 10. Спецификации

Модел на външното тяло		SUZ-SWM30VA	SUZ-SHWM30VAH	SUZ-SWM40VA2	SUZ-SHWM40VAH	SUZ-SWM60VA2
Захранване	V / Фаза / Hz	230 / Единично / 50				
Размери (Ш × В × Д)	mm	800 × 714 × 285				
Ниво на звуковата мощност (Отопление)	*1 dB(A)	57	57	57	58	60
	*2 dB(A)	54	54	54	55	56

Модел на външното тяло		SUZ-SHWM60VAH	SUZ-SWM80VA(H)2	SUZ-SWM100VA(H)
Захранване	V / Фаза / Hz	230 / Единично / 50		
Размери (Ш × В × Д)	mm	840 × 880 × 330		
Ниво на звуковата мощност (Отопление)	*1 dB(A)	60	60	62
	*2 dB(A)	58	59	60

\*1. Измерена стойност при номиналната работна честота при температура на околната среда 7°C DB/6°C WB и изходяща вода с температура 55°C

\*2. Измерена стойност в съответствие с EN12102 при условията на EN14825

EU DECLARATION OF CONFORMITY  
EU-KONFORMITÄTSEKTLÄRUNG  
DÉCLARATION DE CONFORMITÉ UE  
EU-CONFORMITEITSVERKLARING  
DECLARACIÓN DE CONFORMIDAD UE  
DICHIARAZIONE DI CONFORMITÀ UE  
ΔΗΛΩΣΗ ΣΥΜΜΟΡΦΩΣΗΣ ΕΕ  
DECLARAÇÃO DE CONFORMIDADE UE  
EU-OVERENSSTEMMELSESEKTLÆRING

EG-DEKLARATION OM ÖVERENSSTÄMMELSE  
AB UYGUNLUK BEYAN  
ДЕКЛАРАЦИЯ СООТВЕТСТВИЯ НОРМАМ ЕС  
ДЕКЛАРАЦІЯ ВІДПОВІДНОСТІ ВИМОГАМ ЄС  
ЕС ДЕКЛАРАЦІЯ ЗА СЪОТВЕТСТВИЕ  
DEKLARACJA ZGODNOŚCI UE  
EU-ERKLÆRING OM SAMSVAR  
EU-VAATIMUSTENMUKAISUUSVAKUUTUS  
EU PROHLÁŠENÍ O SHODĚ

EÚ VYHLÁSENIE O ZHODE  
EU MEGFELELŐSÉGI NYILATKOZAT  
IZJAVA EU O SKLADNOSTI  
DECLARAȚIE DE CONFORMITATE UE  
EL-I VASTAVUSDEKLARATSIOON  
ES ATBILSTĪBAS DEKLARĀCIJA  
ES ATITIKTIES DEKLARACIJA  
EU IZJAVA O SUKLADNOSTI  
EU IZJAVA O USAGLAŠENOSTI

**MITSUBISHI ELECTRIC CONSUMER PRODUCTS (THAILAND) CO., LTD**  
**700/406 MOO 7, TAMBON DON HUA ROH, AMPHUR MUANG, CHONBURI 20000, THAILAND**

hereby declares under its sole responsibility that the air conditioner(s) and heat pump(s) for use in residential, commercial, and light-industrial environments described below:  
erklärt hiermit auf seine alleinige Verantwortung, dass die Klimaanlage(n) und Wärmepumpe(n) für das häusliche, kommerzielle und leichtindustrielle Umfeld wie unten beschrieben:  
déclare par la présente et sous sa propre responsabilité que le(s) climatiseur(s) et la/les pompe(s) à chaleur destinés à un usage dans des environnements résidentiels, commerciaux et d'industrie légère décrits ci-dessous :  
verklaart hierbij onder eigen verantwoordelijkheid dat de voor huishoudelijke, handels- en lichtindustriële omgevingen bestemde airconditioner(s) en warmtepomp(en) zoals onderstaand beschreven:

por la presente declara, bajo su exclusiva responsabilidad, que el(los) acondicionador(es) de aire y la(s) bomba(s) de calor previsto(s) para su uso en entornos residenciales, comerciales y de industria ligera que se describen a continuación:

conferma con la presente, sotto la sua esclusiva responsabilità, che i condizionatori d'aria e le pompe di calore destinati all'utilizzo in ambienti residenziali, commerciali e semi-industriali e descritti di seguito:

με το παρόν δηλώνει με αποκλειστική ευθύνη ότι το ή τα κλιματιστικά και η ή οι αντλίες θερμότητας για χρήση σε οικιακά, εμπορικά και επαγγελματικά περιβάλλοντα που περιγράφονται παρακάτω:

declara pela presente, e sob sua exclusiva responsabilidade, que o(s) aparelho(s) de ar condicionado e a(s) bomba(s) de calor destinados a utilização em ambientes residenciais, comerciais e de indústria ligeira descritos em seguida:

erklærer hermed under eneansvar, at det/de herunder beskrevne airconditionanlæg og varmepumpe(r) til brug i beboelses- og erhvervs miljøer samt i miljøer med let industri:

intyggar härmed att luftkonditioneringarna och värmepumparna som beskrivs nedan för användning i bostäder, kommersiella miljöer och lätta industriella miljöer:

ev, ticaret ve hafif sanayi ortamlarında kullanıma yönelik aşağıda açıklanan klima ve ısıtma pompalarıyla ilgili aşağıdaki hususları yalnızca kendi sorumluluğunda olmak üzere beyan eder:

настоящим заявляет под свою исключительную ответственность, что кондиционер (-ы) и тепловой (-ые) насос (-ы) для использования в описанных ниже жилых, коммерческих и небольших складских и промышленных помещениях:

цим заявляю, беручи на себе повну відповідальність за це, що кондиціонер (-и) й тепловий (-и) насос (-и), описані нижче й призначені для використання в житлових приміщеннях, торговельних залах і на підприємствах легкої промисловості:

декларира с настоящата на своя собствена отговорност, че климатикъ(т)е и термомпата(ите), посочени по-долу и предназначени за употреба в жилища, търговски и лекопромишлени среди:

niniejszym oświadczam na swoją wyłączną odpowiedzialność, że klimatyzatory i pompy ciepła do zastosowań w środowisku mieszkalnym, handlowym i lekko przemysłowym opisane poniżej:

erklærer et fullstendig ansvar for undernevnte klimaapparat og varmepumper ved bruk i boliger, samt kommersielle og lettindustrielle miljøer:

vakuuttaa täten yksinomaista vastuutaan, että jäljempänä kuvutat asuinrakennuksiin, pienteeollisuuskäyttöön ja kaupalliseen käyttöön tarkoitettuihin ilmastointilaitteisiin ja lämpöpumput:

tímto na vlastní odpovědnost prohlašuje, že níže popsané klimatizační jednotky a tepelná čerpadla pro použití v obytných prostředích, komerčních prostředích a prostředích lehkého průmyslu:

týmto na svoju výlučnú zodpovednosť vyhlasuje, že nasledovné klimatizačné jednotky a tepelné čerpadlá určené na používanie v obytných a obchodných priestoroch a v prostredí ľahkého priemyslu:

alulírott kizárólagos felelősségére nyilatkozik, hogy az alábbi lakossági, kereskedelmi és kisipari környezetben való használatra szánt klímaberendezés(ek) és hőszivattyú(k):

na lastno odgovornost izjavlja, da so spodaj opisane klimatske naprave in toplotne črpalke, namenjene za uporabo v stanovanjskih, poslovnih in lahkoindustrijskih okoljih:

declară prin prezenta, pe proprie răspundere, faptul că aparatele de climatizare și pompele de căldură descrise mai jos și destinate utilizării în medii rezidențiale, comerciale și din industria ușoară:

kinnitab oma ainuvastutusest, et allpool toodud elu-, äri- ja kergtööstuskeskkondades kasutamiseks mõeldud kliimaseadmed ja soojuspumbad:

ar šo, vienpersoniski uzņemoties atbildību, paziņo, ka tālāk aprakstītais(-tie) gaisa kondicionētājs(-i) un siltumsūkņis(-i) ir paredzēti lietošanai dzīvojamajās, komercdarbības un vieglās rūpniecības telpās, kas aprakstītas tālāk:

šiuo vien tik savo atsakomybe pareiškia, kad toliau apibūdintas (-i) oro kondicionierius (-iai) ir šilumos siurblys (-iai), skirtas (-i) naudoti toliau apibūdintose gyvenamosiose, komercinėse ir lengvosios pramonės aplinkose:

ovime izjavljuje pod isključivom odgovornošću da je/su klimatizacijski uređaji(i) i toplinska dizalica(e) opisan(i) u nastavku namijenjen(i) za upotrebu u stambenim i poslovnim okruženjima te okruženjima lake industrije:

ovim izjavljuje na svoju isključivu odgovornost da su klima-uređaji i toplotne pumpe za upotrebu u stambenim, komercijalnim okruženjima i okruženjima lake industrije opisani u nastavku:

**MITSUBISHI ELECTRIC, SUZ-SWM30VA\*, SUZ-SWM40VA\*, SUZ-SWM60VA\*, SUZ-SWM80VA\*, SUZ-SWM100VA\***  
**SUZ-SHWM30VAH\*, SUZ-SHWM40VAH\*, SUZ-SHWM60VAH\*, SUZ-SWM80VAH\*, SUZ-SWM100VAH\***  
**\* : , , 1, 2, 3, , , , 9**

is/are in conformity with provisions of the following Union harmonisation legislation.  
die Bestimmungen der folgenden Harmonisierungsrechtsvorschriften der Union erfüllen/

erfüllen.  
est/sont conforme(s) aux dispositions de la législation d'harmonisation de l'Union

suivante.  
voldoet/voldoen aan bepalingen van de volgende harmonisatiewetgeving van de Unie.

cumple(n) con las disposiciones de la siguiente legislación de armonización de la Unión.

sono in conformità con le disposizioni della seguente normativa dell'Unione sull'armonizzazione.

συμμορφώνονται με τις διατάξεις της ακόλουθης νομοθεσίας εναρμόνισης της Ένωσης.

está/estão em conformidade com as disposições da seguinte legislação de harmonização da União.

er i overensstemmelse med bestemmelse i følgende harmoniserede EU-lovgivning.

uppfyller villkoren i följande harmoniserade föreskrifter inom unionen.

აşağıdaki Avrupa Birliği uyumlaştırma mevzuatının hükümlerine uygundur.

соответствуют положениям следующих законодательных актов Союза о гармонизации.

2014/35/EU: Low Voltage Directive  
2006/42/EC: Machinery Directive  
2014/30/EU: Electromagnetic Compatibility Directive  
2011/65/EU, (EU) 2015/863 and (EU) 2017/2102: RoHS Directive  
2009/125/EC: Energy-related Products Directive and Regulation (EU) No 813/2013

відповідають положенням вказаного далі законодавства Союзу щодо гармонізації.  
е/са в съответствие с разпоредбите на следното законодателство на Съюза за

хармонизация.  
są zgodne z przepisami następującego unijnego prawodawstwa harmonizacyjnego.

er i samsvar med forskriftene til følgende EU-lovgivning om harmonisering.

ovat seuraavan unionin yhdenmukaistamislainsäädännön säännösten mukaisia.

jsou v souladu s ustanoveními následujících harmonizačních právních předpisů Unie.

spĺňajú ustanovenia nasledujúcich harmonizovaných noriem EÚ.

megfelel(nek) az Unió alábbi harmonizációs jogszabályi előírásainak.

v skladu z določbami naslednje usklajevalne zakonodaje Unije.

sunt în conformitate cu dispozițiile următoare legislații de armonizare a Uniunii.

atbilst šādiem ES harmonizētajiem tiesību aktu noteikumiem.

taip pat atitinka kitų toliau išvardytų suderintųjų Sąjungos direktyvų nuostatas.

sukladan(i) odredbama sljedećeg zakonodavstva Unije za sukladnost.

u skladu sa odredbama sledećeg usklađivanja zakonodavstva Unije.



## <ENGLISH>

English is original. The other languages versions are translation of the original.

### ▲ CAUTION

- Refrigerant leakage may cause suffocation. Provide ventilation in accordance with EN378-1.
- Be sure to wrap insulation around the piping. Direct contact with the bare piping may result in burns or frostbite.
- Never put batteries in your mouth for any reason to avoid accidental ingestion.
- Battery ingestion may cause choking and/or poisoning.
- Install the unit on a rigid structure to prevent excessive operation sound or vibration.
- The A-weighted sound pressure level is below 70dB.
- This appliance is intended to be used by expert or trained users in shops, in light industry and on farms, or for commercial use by lay persons.

## <DEUTSCH>

Das Original ist in Englisch. Die anderen Sprachversionen sind vom Original übersetzt.

### ▲ VORSICHT

- Wenn Kältemittel austritt, kann dies zu Ersticken führen. Sorgen Sie in Übereinstimmung mit EN378-1 für Durchlüftung.
- Die Leitungen müssen isoliert werden. Direkter Kontakt mit nicht isolierten Leitungen kann zu Verbrennungen oder Erfrierungen führen.
- Nehmen Sie niemals Batterien in den Mund, um ein versehentliches Verschlucken zu vermeiden.
- Durch das Verschlucken von Batterien kann es zu Erstickungen und/oder Vergiftungen kommen.
- Installieren Sie das Gerät auf einem stabilen Untergrund, um übermäßige Betriebsgeräusche oder -schwingungen zu vermeiden.
- Der A-gewichtete Schalldruckpegel ist niedriger als 70dB.
- Dieses Gerät ist vorgesehen für die Nutzung durch Fachleute oder geschultes Personal in Werkstätten, in der Leichtindustrie und in landwirtschaftlichen Betrieben oder für die kommerzielle Nutzung durch Laien.

## <FRANÇAIS>

L'anglais est l'original. Les versions fournies dans d'autres langues sont des traductions de l'original.

### ▲ PRECAUTION

- Une fuite de réfrigérant peut entraîner une asphyxie. Fournissez une ventilation adéquate en accord avec la norme EN378-1.
- Assurez-vous que la tuyauterie est enveloppée d'isolant. Un contact direct avec la tuyauterie nue peut entraîner des brûlures ou des engelures.
- Ne mettez jamais des piles dans la bouche pour quelque raison que ce soit pour éviter de les avaler par accident.
- Le fait d'ingérer des piles peut entraîner un étouffement et/ou un empoisonnement.
- Installez l'appareil sur une structure rigide pour prévenir un bruit de fonctionnement et une vibration excessifs.
- Le niveau de pression acoustique pondéré est en dessous de 70 dB.
- Cet appareil est conçu pour un utilisateur expert ou les utilisateurs formés en magasin, dans l'industrie légère et dans l'agriculture ou dans le commerce par le profane.

## <NEDERLANDS>

Het Engels is het origineel. De andere taalversies zijn vertalingen van het origineel.

### ▲ VOORZICHTIG

- Het lekken van koelvoelstof kan verstikking veroorzaken. Zorg voor ventilatie in overeenstemming met EN378-1.
- Isoleer de leidingen met isolatiemateriaal. Direct contact met de onbedekte leidingen kan leiden tot brandwonden of bevriezing.
- Stop nooit batterijen in uw mond om inslikking te voorkomen.
- Het inslikken van batterijen kan verstikking of vergiftiging veroorzaken.
- Installeer het apparaat op een stabiele structuur om overmatig lawaai of trillingen te voorkomen.
- Het niveau van de geluidsdruk ligt onder 70 dB(A).
- Dit apparaat is bedoeld voor gebruik door ervaren of opgeleide gebruikers in werkplaatsen, in de lichte industrie en op boerderijen, of voor commercieel gebruik door leken.

## <ESPAÑOL>

El idioma original del documento es el inglés. Las versiones en los demás idiomas son traducciones del original.

### ▲ CUIDADO

- Las pérdidas de refrigerante pueden causar asfixia. Se debe proporcionar la ventilación determinada en EN378-1.
- Asegúrese de colocar el aislante alrededor de las tuberías. El contacto directo con la tubería puede ocasionar quemaduras o congelación.
- Para evitar una ingestión accidental, no coloque las pilas en su boca bajo ningún concepto.
- La ingestión de las pilas puede causar asfixia y/o envenenamiento.
- Coloque la unidad en una estructura rígida para evitar que se produzcan sonidos o vibraciones excesivos debidos a su funcionamiento.
- El nivel de presión acústica ponderado A es inferior a 70 dB.
- Este aparato está destinado a su uso por parte de usuarios expertos o capacitados en talleres, industrias ligeras y granjas, o a su uso comercial por parte de personas no expertas.

## <ITALIANO>

Il testo originale è redatto in lingua Inglese. Le altre versioni linguistiche rappresentano traduzioni dell'originale.

### ▲ ATTENZIONE

- Le perdite di refrigerante possono causare asfissia. Prevedere una ventilazione adeguata in conformità con la norma EN378-1.
- Accertarsi di applicare materiale isolante intorno alle tubature. Il contatto diretto con le tubature non schermate può provocare ustioni o congelamento.
- Non introdurre in nessun caso le batterie in bocca onde evitare ingestioni accidentali.
- L'ingestione delle batterie può provocare soffocamento e/o avvelenamento.
- Installare l'unità su una struttura rigida in modo da evitare rumore o vibrazioni eccessivi durante il funzionamento.
- Il livello di pressione del suono ponderato A è inferiore a 70dB.
- Questa apparecchiatura è destinata all'utilizzo da parte di utenti esperti o addestrati in negozi, industria leggera o fattorie oppure a un uso commerciale da parte di persone non esperte.

## <ΕΛΛΗΝΙΚΑ>

Η γλώσσα του πρωτοτύπου είναι η αγγλική. Οι εκδόσεις άλλων γλωσσών είναι μεταφράσεις του πρωτοτύπου.

### ▲ ΠΡΟΣΟΧΗ

- Η διαρροή του ψυκτικού ενδέχεται να προκαλέσει ασφυξία. Φροντίστε για τον εξαερισμό σύμφωνα με το πρότυπο EN378-1.
- Φροντίστε να τυλίξετε με μονωτικό υλικό τη σωλήνωση. Η απευθείας επαφή με τη γυμνή σωλήνωση ενδέχεται να προκαλέσει εγκαύματα ή κρυοπαγήματα.
- Μη βάζετε ποτέ τις μπαταρίες στο στόμα σας για κανένα λόγο ώστε να αποφύγετε την κατά λάθος κατάποσή τους.
- Η κατάποση μπαταριών μπορεί να προκαλέσει πνιγμό ή/και δηλητηρίαση.
- Εγκαταστήστε τη μονάδα σε σταθερή κατασκευή ώστε να αποφύγετε τον έντονο ήχο λειτουργίας ή τους κραδασμούς.
- Η Α-σταθμισμένη στάθμη ηχητικής πίεσης είναι κάτω των 70dB.
- Η Α-σταθμισμένη στάθμη ηχητικής πίεσης είναι κάτω των 70dB.
- Η συσκευή αυτή προορίζεται για χρήση από εμπειρογούς ή εκπαιδευμένους χρήστες σε καταστήματα, στην ελαφριά βιομηχανία και σε αγροκτήματα, ή για εμπορική χρήση από άτομα τα οποία δεν είναι ειδήμονες.

## <PORTUGUÊS>

O idioma original é o inglês. As versões em outros idiomas são traduções do idioma original.

### ▲ CUIDADO

- A fuga de refrigerante pode causar asfixia. Garanta a ventilação em conformidade com a norma EN378-1.
- Certifique-se de que envolve as tubagens com material de isolamento. O contacto directo com tubagens não isoladas pode resultar em queimaduras ou ulcerações provocadas pelo frio.
- Nunca coloque pilhas na boca, por nenhum motivo, para evitar a ingestão accidental.
- A ingestão de uma pilha pode causar obstrução das vias respiratórias e/ou envenenamento.
- Instale a unidade numa estrutura robusta, de forma a evitar ruídos ou vibrações excessivos durante o funcionamento.
- O nível de pressão sonora ponderado A é inferior a 70 dB.
- Este equipamento destina-se a ser utilizado por especialistas ou utilizadores com formação em lojas, na indústria ligeira e em quintas, ou para utilização comercial por leigos.

## <DANSK>

Engels er originalen. De andre sprogversioner er oversættelser af originalen.

### ▲ FORSIGTIG

- Lækage af kølemiddel kan forårsage kvælning. Sørg for udluftning i overensstemmelse med EN378-1.
- Sørg for at pakke rørene ind i isolering. Direkte kontakt med ubeklædte rør kan forårsage forbrændinger eller forfrysninger.
- Batterier må under ingen omstændigheder tages i munden for at forhindre utilsigtet indtagelse.
- Indtagelse af batterier kan forårsage kvælning og/eller forgiftning.
- Installer enheden på en fast struktur for at forhindre for høje driftslyde eller vibrationer.
- Det A-vægtede lydtrykniveau er under 70dB.
- Dette apparat er beregnet til at blive brugt af eksperter eller udlærte brugere i butikker, inden for let industri og på gårde eller til kommerciel anvendelse af lægmænd.

## <SVENSKA>

Engelska är originalspråket. De övriga språkversionerna är översättningar av originalet.

### ▲ FÖRSIKTIGHET

- Köldmedelsläckage kan leda till kvävning. Tillhandahåll ventilation i enlighet med EN378-1.
- Kom ihåg att linda isolering runt rören. Direktkontakt med bara rör kan leda till brännskador eller köldskador.
- Stoppa aldrig batterier i munnen, de kan sväljas av misstag.
- Om ett batteri sväljs kan det leda till kvävning och/eller förgiftning.
- Montera enheten på ett stadigt underlag för att förhindra höga driftljud och vibrationer.
- Den A-vägdade ljudtrycksnivån är under 70dB.
- Denna apparat är ämnad för användning av experter eller utbildade användare i affärer, inom lätt industri och på lanbruk, eller för kommersiell användning av lekmän.

## <TÜRKÇE>

Aslı İngilizce'dir. Diğer dillerdeki sürümler aslının çevirisidir.

### ▲ DİKKAT

- Soğutucu kaçağı boğulmaya neden olabilir. EN378-1 uyarınca uygun havalandırma sağlayın.
- Borular etrafına yalıtım yapıldığından emin olun. Borulara doğrudan çıplak elle dokunulması yanıklara veya soğuk ısırıklarına neden olabilir.
- Kazara yutmamak için, pilleri kesinlikle hiçbir amaçla ağzınızda tutmayın.
- Pillerin yutulması boğulmaya ve/veya zehirlenmeye yol açabilir.
- Aşırı çalıma seslerini veya titreşimi önlemek için, üniteyi sağlam bir yapı üzerine monte edin.
- A ağırıklı ses gücü seviyesi 70dB'nin altındadır.
- Bu cihaz tıbbilerde, hafif endüstriyel tesislerde ve çiftliklerde uzman veya eğitimli kullanıcılar tarafından kullanılmak üzere veya normal kullanıcılar tarafından ticari kullanım için tasarlanmıştır.

## <РУССКИЙ>

Языком оригинала является английский. Версии на других языках являются переводом оригинала.

### ▲ ОСТОРОЖНО

- Утечка хладагента может стать причиной удушья. Обеспечьте вентиляцию в соответствии с EN378-1.
- Обязательно оберните трубы изоляционным материалом. Непосредственный контакт с неизолированным трубопроводом может привести к ожогам или обморожению.
- Запрещается класть элементы питания в рот по каким бы то ни было причинам во избежание случайного проглатывания.
- Попадание элемента питания в пищеварительную систему может стать причиной удушья и/или отравления.
- Устанавливайте устройство на жесткую структуру во избежание чрезмерного шума или чрезмерной вибрации во время работы.
- Уровень звукового давления по шкале A не превышает 70 дБ.
- Данное устройство предназначено для использования специалистами или обученным персоналом в магазинах, на предприятиях легкой промышленности и фермах или для коммерческого применения неспециалистами.

## <УКРАЇНСЬКА>

Переклад оригіналу. Текст іншими мовами є перекладом оригіналу.

### ▲ ОБЕРЕЖНО

- Виток холодагента може призвести до удушся. Необхідно забезпечити вентиляцію відповідно до стандарту EN 378-1.
- Труби необхідно обмотати ізоляційним матеріалом. Прямий контакт із непокритою трубою може призвести до опіку або обмороження.
- Забороняється класти елементи живлення в рот із будь-яких причин, оскільки є ризик випадково їх проковтнути.
- Попадання елемента живлення в травну систему може стати причиною задхуки та/або отруєння.
- Встановлюйте блок на міцній конструкції, щоб уникнути надмірного рівня звуку роботи або вібрації.
- Рівень амплітудно зваженого акустичного тиску становить нижче 70 дБ.
- Цей прилад призначається для використання спеціалістами або особами, що пройшли відповідне навчання, у краніцях, легкій промисловості та сільськогосподарських підприємствах, а також для комерційного використання неспеціалістами.

## <БЪЛГАРСКИ>

Оригиналът е текстът на английски език. Версиите на други езици са преводи на оригинала.

### ▲ ВНИМАНИЕ

- Изтичането на хладилен агент може да причини задушаване. Осигурете вентилация съобразно с EN378-1.
- Не забравяйте да уветите изолация около тръбите. Директният контакт с оголени тръби може да причини изгаряне или измръзване.
- При никакви обстоятелства не поставяйте батериите в устата си, за да не ги поглънете по невнимание.
- Това може да доведе до задушаване и/или натравяне.
- Монтирайте тялото върху твърда конструкция, за да предотвратите прекомерен шум или вибрации по време на работа.
- А-претегленото ниво на звуково налягане е под 70 dB.
- Този уред е предназначен за използване от експерти или обучени потребители в магазини, в леката промисленост и във ферми, или за търговска употреба от неспециалисти.

## <POLSKI>

Językiem oryginalu jest język angielski. Inne wersje językowe stanowią tłumaczenie oryginalu.

### ▲ UWAGA

- Wyciek czynnika chłodniczego może spowodować uduszenie. Należy zapewnić wentylację zgodnie z normą EN378-1.
- Należy pamiętać, aby owinąć izolację wokół przewodów rurowych. Bezpośredni kontakt z niezabezpieczonymi przewodami rurowymi może doprowadzić do poparzeń lub odmrożeń.
- Nie wolno wkładać baterii do ust z jakiegokolwiek powodu, aby uniknąć przypadkowego połknięcia.
- Połknięcie baterii może spowodować zadławienie i/lub zatrucie.
- Zainstalować urządzenie na sztywnej konstrukcji, aby zapobiec nadmieremu hałasowi i wibracjom.
- Poziom dźwięku A nie przekracza 70 dB.
- W sklepach, w przemyśle lekkim i w gospodarstwach rolnych urządzenie powinni obsługiwać profesjonalni lub przeszkoleni użytkownicy, a w środowisku handlowym mogą to być osoby nieposiadające fachowej wiedzy.

## <NORSK>

Originalspråket er engelsk. De andre språkversjonene er oversettelser av originalen.

### ▲ FORSIKTIG

- Kjølemiddellekkasje kan forårsake kvelning. Sørg for ventilering i samsvar med EN378-1.
- Pass på at isoleringen pakkes godt rundt røret. Direkte kontakt med ukledte rør kan forårsake brannskader eller forfrysninger.
- Aldri plasser batteri i munnen, da dette kan medføre en risiko for at du svelger batteriet ved et uheld.
- Hvis du svelger et batteri, kan du risikere kvelning og/eller forgiftning.
- Installer enheten på en stabil struktur for å forhindre uønsket støy eller vibrering.
- Det A-vektede lydtryknivået er under 70 dB.
- Dette apparatet er ment for bruk av eksperter eller faglært personell i butikker, lettindustri og på gårder, eller for kommersielt bruk av ikke-fagmenn.

## <SUOMI>

Englanti on alkuperäinen. Muut kieliversiot ovat alkuperäiskappaleen käännöksiä.

### ▲ HUOMIO

- Vuotava kylmäaine voi aiheuttaa tukehtumisen. Ilmanvaihdon on oltava EN378-1-standardin mukainen.
- Käähän putken ympärille eristysmateriaalia. Paljaan putken koskettamisesta voi seurata palotai paleltumavammoja.
- Älä koskaan laita paristoja suuhun, jotta et vahingossa nielaisisi niitä.
- Paristojen nieleminen voi aiheuttaa tukehtumisen ja/tai myrkytyksen.
- Asenna yksikkö tukeviin rakenteisiin, jotta sen käytöstä ei syntyisi ylimääräistä ääntä tai värinää.
- A-painotettu äänenpainetaso on alle 70 dB.
- Laite on tarkoitettu asiantuntijoiden tai laitteelle koulutuksen saaneiden käyttöön kauppoissa, pienteeollisuudessa ja maataloilta tai maailloille kaupalliseen käyttöön.

## <ČEŠTINA>

Originál je v angličtině. Ostatní jazykové verze jsou překladem originálu.

### ▲ POZOR

- Únik chladicího média může způsobit udušení. Zajistěte větrání v souladu s normou EN 378-1.
- Okolo potrubí vždy omotejte izolací. Přímý kontakt s obnaženým potrubím může způsobit popálení nebo omrzliny.
- Nikdy nevkládejte baterie do úst, aby nedošlo k jejich polknutí.
- Polknutí baterie může způsobit zadušení a/nebo otravu.
- Jednotku nainstalujte na pevnou konstrukci, aby nedocházelo ke vzniku nadměrného provozního hluku a vibrací.
- Hladina akustického tlaku A je nižší než 70 dB.
- Toto zařízení je určeno pro prodejny, lehký průmysl a farmy, kde je musí obsluhovat odborníci a školení uživatelé, a pro komerční použití, kde je mohou obsluhovat laici.

## <SLOVENČINA>

Překlad anglického originálu. Všetky jazykové verze sú preložené z angličtiny.

### ▲ UPOZORNENIE

- Únik chladiva môže spôsobiť udušenie. Zabezpečte vetranie podľa normy EN 378-1.
- Nezabudnite potrubie obaliť izoláciou. Priamy kontakt s nezabaleným potrubím môže spôsobiť popálenie alebo omrzliny.
- Baterie si nikdy z akéhokoľvek dôvodu nekladte do úst, aby nedošlo k ich náhodnému požitiu.
- Požitie batérií môže vyvolať dusenie a/alebo otravu.
- Nainštalujte jednotku na pevný konštrukčný prvok, aby ste obmedzili nadmerný prevádzkový hluk a vibrácie.
- Hladina akustického tlaku A je nižšia ako 70 dB.
- Toto zariadenie je určené na používanie odborníkmi alebo zaškolenými používateľmi v komerčných priestoroch, v prostredí ľahkého priemyslu, na farmách, alebo na komerčné použitie bežnými používateľmi.

## <MAGYAR>

Az angol változat az eredeti. A többi nyelvi változat az eredeti fordítása.

### ▲ VIGYÁZAT

- A hűtőközeg szivárgása fulladást okozhat. Gondoskodjon az EN378-1 szabvány előírásai szerinti szellőztetésről.
- Feltétlenül szigetelje körbe a csőveket. A csupaszc cső megérintése égési vagy fagyási sérülést okozhat.
- Ne vegyen a szájába elemet semmilyen célból, mert véletlenül lenyelheti!
- A lenyeléssel elem fulladást és/vagy mérgezést okozhat.
- A készülék merev szerkezetre szerelje fel, hogy megakadályozza a túlzott üzemi zajt és vibrációt.
- Az A-súlyozott hangnyomásszint 70 dB alatt van.
- A készülék üzletek, a könnyűipar és gazdaságok szakértő vagy képzett felhasználói, valamint laikus felhasználók általi kereskedelmi használatra készült.

## <SLOVENŠČINA>

Izvirnik je v angleščini. Druge jezikovne različice so prevodi izvirnika.

### ▲ POZOR

- Puščanje hladiva lahko povzroči zadušenje. Zagotovite prezračevanje po standardu EN378-1.
- Cevi ovijte z izolacijo. Neposredni stik z golimi cevimi lahko povzroči opekline ali ozeblino.
- Nikoli in iz nobenega razloga ne vstavljajte baterij v usta, da jih po nesreči ne pogoltnete.
- Če baterije pogoltnete, se lahko zaduшите in/ali zastupite.
- Enoto namestite na togo konstrukcijo, da preprečite pretiran zvok ali tresljaje med delovanjem.
- A-utežena raven zvočnega tlaka je pod 70 dB.
- Naprava je namenjena za uporabo s strani strokovnih ali ustrezno usposobljenih uporabnikov v trgovinah, lahki industriji in na kmetijah ter za komercialno uporabo s strani nestrokovnih uporabnikov.

## <ROMÂNĂ>

Textul original este în limba engleză. Versiunile pentru celelalte limbi sunt traduceri ale originalului.

### ▲ ATENȚIE

- Scurgerea de agent frigorific poate cauza asfixierea. Asigurați o ventilație corespunzătoare, conform standardului EN378-1.
- Asigurați-vă că înfășurați materialul izolator în jurul conductelor. Contactul direct cu conductele neizolate se poate solda cu arsuri sau degerături.
- Nu introduceți niciodată și pentru niciun motiv bateriile în gură, pentru a evita ingerarea accidentală a acestora.
- Ingerarea bateriilor poate cauza sufocarea și/sau intoxicarea.
- Instalați unitatea pe o structură rigidă pentru a preveni producerea unui nivel excesiv de sunete sau vibrații.
- Nivelul de presiune acustică ponderată în A este mai mic de 70 dB.
- Acest aparat este destinat utilizării de către utilizatori specializați sau instruiți în cadrul spațiilor comerciale, spațiilor din cadrul industriei ușoare și al fermelor sau în scopuri comerciale de către nespecialiști.

## <EESTI>

Originaaljuhend on ingliskeelne. Muudes keeltes versioonid on originaali tõlked.

### ▲ ETTEVAATUST!

- Külmaaine leke võib põhjustada lämbumist. Tuulutamise standardi EN378-1 kohaselt.
- Märkige torude ümber kindlasti isolatsiooni. Vahetu kontakt paljaste torudega võib põhjustada põletusi või külmaahjustusi.
- Hoiduge patareide tahtmatust allaneelamisest, ärge kunagi pange ühelgi põhjusel patareisid suhu.
- Patarei allaneelamine võib põhjustada lämbumist ja/või mürgitust.
- Paigaldage seade järgale struktuurile, et vältida ülemäärast tööheli ja vibreerimist.
- A-filtriga helirõhu tase on madalam kui 70 dB.
- Seade on mõeldud kasutamiseks asjatundjatele ja väljapoole läbinud kasutajatele poodides, kergtööstuses ja taludes ning kommerskasutuseks tavaisikute poolt.

## <LATVIŠKI>

Oriģināls ir angļu valodā. Versijas citās valodās ir oriģināla tulkojums.

### ▲ UZMANĪBU

- Aukstumaģenta noplūdes gadījumā pastāv nosmakšanas risks. Ir jānodrošina standartam EN378-1 atbilstoša ventilācija.
- Aptiniet caurules ar izolējošu materiālu. Pieskaroties neaptītām caurulēm, var gūt apdegumus vai apsaldējumus.
- Aizliegts ievietot baterijas mutē; pastāv norīšanas risks.
- Bateriju norīšana var izraisīt aizrīšanas un/vai saindēšanas.
- Uzstādiet iekārtu uz izturīgas struktūras, lai izvairītos no pārlietu liela darbības trokšņa vai vibrācijas.
- A — izsvārotais skaņas spiediena līmenis ir mazāks par 70 dB.
- Šo iekārtu paredzēts lietot speciālistiem vai apmācītiem lietotājiem veikalos, vieglās rūpniecības telpās un lauksaimniecības fermās, kā arī to var lietot nespeciālisti komercālam vajadzībām.

## <LIETUVIŠKAI>

Originalas yra anglų k. Versijos kitomis kalbomis yra originalo vertimas.

### ▲ ATSARGIAI

- Dėl šaltnešio nuotėkio galima uždušti. Išvėdinkite patalpas pagal EN378-1.
- Būtinai vamzdelius apvyniokite izoliacija. Prisilietus prie plikų vamzdelių galima nusideginti arba nušalti.
- Siekdami išvengti atsitiktinio prarijimo, niekada nedėkite baterijų į burną.
- Prarijus bateriją galima užspringti ir / arba apsinuodyti.
- Įrenginį sumontuokite ant tvirtos struktūros, kad nesigirdėtų pernelyg didelio veikimo triukšmo ar vibracijos.
- A svertinis garso slėgio lygis nesiekia 70 dB;
- Šis prietaisas skirtas naudoti specialistui ar išmokytiems naudotojams dirbtuvėse, lengvojoje pramonėje ar ūkiuose arba komerciniam naudojimui nespecialistams.

## <HRVATSKI>

Tekst je izvorno napisan na engleskom jeziku. Tekst na ostalim jezicima predstavlja prijevod izvorno napisanog teksta.

### ▲ OPREZ

- Čurenje rashladnog sredstva može uzrokovati gušenje. Osigurajte ventilaciju u skladu s normom HR EN378-1.
- Obavezno stavite izolaciju oko položenih cijevi. Izravni doticaj s golim cijevima može dovesti do opekline ili smržavanja.
- Nikada ne stavljajte baterije u usta ni zbog kojeg razloga kako biste izbjegli slučajno gutanje.
- Gutanje baterija može prouzročiti gušenje i/ili trovanje.
- Postavite jedinicu na čvrstu strukturu kako biste izbjegli prebučan zvuk tijekom rada ili pojavu vibracija.
- Razina zvučnog tlaka A niža je od 70dB.
- Ovak uređaj mogu upotrebljavati stručnjaci ili osposobljeni korisnici u trgovinama, lakoj industriji i na poljoprivrednim gospodarstvima ili laici u komercijalne svrhe.

## <SRPSKI>

Prevod originala. Verzije na drugim jezicima su prevodi originala.

### ▲ OPREZ

- Čurenje rashladne tečnosti može da dovede do gušenja. Obezbedite ventilaciju u skladu sa EN378-1.
- Obavezno obmotajte izolaciju oko cevi. Direktna kontakt sa golom cevii može izazvati opekotine ili promrzline.
- Nikada nemojte stavljati baterije u usta iz bilo kog razloga, kako bi se sprečilo slučajno gutanje.
- Gutanje baterija može da izazove gušenje i/ili trovanje.
- Ugradite jedinicu na čvrstu strukturu kako biste sprečili previše jak zvuk rada ili vibracije.
- A-ponderisani nivo jačine pritiska zvuka je ispod 70 dB.
- Ovak uređaj je namenjen za upotrebu od strane stručnih ili obučanih korisnika u prodavnicama, u lakoj industriji i na farmama ili za komercijalnu upotrebu od strane nekvalifikovanih lica.

Please be sure to put the contact address/telephone number on this manual before handing it to the customer.

**mitsubishi electric corporation**

HEAD OFFICE: TOKYO BUILDING, 2-7-3, MARUNOUCHI, CHIYODA-KU, TOKYO 100-8310, JAPAN

# Air to Water Heat Pump SUZ-SWM·VA(H) series SUZ-SHWM·VAH series

INSTALLATION MANUAL	FOR INSTALLER	English
INSTALLATIONSHANDBUCH	FÜR INSTALLATEURE	Deutsch
MANUEL D'INSTALLATION	POUR L'INSTALLATEUR	Français
INSTALLATIEHANDLEIDING	VOOR DE INSTALLATEUR	Nederlands
MANUAL DE INSTALACIÓN	PARA EL INSTALADOR	Español
MANUALE DI INSTALLAZIONE	PER L'INSTALLATORE	Italiano
ΕΓΧΕΙΡΙΔΙΟ ΟΔΗΓΙΩΝ ΕΓΚΑΤΑΣΤΑΣΗΣ	ΓΙΑ ΑΥΤΟΝ ΠΟΥ ΚΑΝΕΙ ΤΗΝ ΕΓΚΑΤΑΣΤΑΣΗ	Ελληνικά
MANUAL DE INSTALAÇÃO	PARA O INSTALADOR	Português
INSTALLATIONSMANUAL	TIL INSTALLATØREN	Dansk
INSTALLATIONSMANUAL	FÖR INSTALLATÖREN	Svenska
MONTAJ ELKİTABI	MONTÖR İÇİN	Türkçe
РУКОВОДСТВО ПО УСТАНОВКЕ	ДЛЯ УСТАНОВИТЕЛЯ	Русский
ПОСІБНИК З УСТАНОВЛЕННЯ	ДЛЯ СПЕЦІАЛІСТА З МОНТАЖУ	Українська
РЪКОВОДСТВО ЗА МОНТАЖ	ЗА МОНТАЖНИКА	Български
INSTRUKCJA MONTAŻU	DLA INSTALATORA	Polski
INSTALLASJONSHÅNDBOK	FOR MONTØR	Norsk
ASENNUSOPAS	ASENTAJALLE	Suomi
INSTALAČNÍ PŘÍRUČKA	PRO MONTÁŽNÍ PRACOVNÍKY	Čeština
NÁVOD NA INŠTALÁCIU	PRE MONTÉRA	Slovenčina
TELEPÍTÉSI KÉZIKÖNYV	A TELEPÍTŐ RÉSZÉRE	Magyar
NAMESTITVENI PRIROČNIK	ZA MONTERJA	Slovenščina
MANUAL DE INSTALARE	PENTRU INSTALATOR	Română
PAIGALDUSJUHEND	PAIGALDAJALE	Eesti
MONTĀŽAS ROKASGRĀMATA	UZSTĀDĪŠANAS SPECIĀLISTAM	Latviski
MONTAVIMO VADOVAS	SKIRTA MONTUOTOJUI	Lietuviškai
PRIRUČNIK ZA POSTAVLJANJE	ZA INSTALATERA	Hrvatski
UPUTSTVO ZA UGRADNJU	ZA MONTERA	Srpski

1. Zalecenia bezpieczeństwa	1	6. Instalacja elektryczna	9
2. Wybór miejsca instalacji	3	7. Konserwacja	10
3. Schemat instalacji	5	8. Przewody wodne	11
4. Odprowadzenie skroplin dla jednostki zewnętrznej	5	9. Odpompowywanie	13
5. Przewody czynnika chłodniczego	6	10. Dane techniczne	14



**Uwaga:** Ten symbol dotyczy wyłącznie krajów członkowskich UE.

Ten symbol jest zgodny z dyrektywą 2012/19/WE art. Informacje dla użytkowników i Załącznikiem IX.

Produkt MITSUBISHI ELECTRIC jest wykonany z wysokiej jakości materiałów i komponentów, nadających się do recyklingu i ponownego wykorzystania.

Symbol ten oznacza, że sprzęt elektryczny i elektroniczny, po zakończeniu okresu eksploatacji, nie powinien być utylizowany razem z odpadami domowymi.

Urządzenie należy zutylizować w lokalnym centrum zbiórki odpadów/recyklingu.

W Unii Europejskiej obowiązują osobne systemy zbiórki odpadów dla zużytych produktów elektrycznych i elektronicznych.

Pomóż nam chronić środowisko, w którym żyjemy!

## ! PRZESTROGA:

- Wypuszczanie czynnika R32 do atmosfery jest zabronione.

## 1. Zalecenia bezpieczeństwa

- ▶ Przed instalacją urządzenia zapoznać się z wszystkimi "Zaleceniami bezpieczeństwa".
- ▶ Przed podłączeniem systemu należy to zgłosić lub uzyskać zgodę dostawcy energii elektrycznej.

## ! OSTRZEŻENIE:

Oznacza zalecenia bezpieczeństwa, których należy przestrzegać w celu uniknięcia zagrożenia zranieniem lub śmierci użytkownika.

## ! PRZESTROGA:

Oznacza zalecenia bezpieczeństwa, których należy przestrzegać w celu uniknięcia uszkodzenia urządzenia.

Po zakończeniu instalacji należy zapoznać klienta z "Zaleceniami bezpieczeństwa" oraz zasadami obsługi i utrzymania ruchu urządzenia w oparciu o informacje zawarte w niniejszej Instrukcji obsługi, a także przeprowadzić ruch próbny w celu sprawdzenia i zapewnienia prawidłowego funkcjonowania urządzenia. Klientowi należy przekazać na własność zarówno Instrukcję instalacji, jak i Instrukcję obsługi. Instrukcje te muszą być zawsze przekazywane kolejnym użytkownikom.





⚡ : Oznacza część, która wymaga uziemienia.

## ! OSTRZEŻENIE:

Należy uważnie czytać etykiety umieszczone na głównej jednostce.

Ⓢ : Oznacza ostrzeżenia i uwagi dotyczące stosowania czynnika chłodniczego R32.

## ZNACZENIE SYMBOLI ZNAJDUJĄCYCH SIĘ NA JEDNOSTCE WEWNĘTRZNEJ I/LUB JEDNOSTCE ZEWNĘTRZNEJ

	<b>OSTRZEŻENIE</b> (Ryzyko pożaru)	To oznaczenie dotyczy wyłącznie czynnika chłodniczego R32. Rodzaj czynnika chłodniczego został podany na tabliczce znamionowej jednostki zewnętrznej. Jeśli zastosowany rodzaj czynnika chłodniczego to R32, urządzenie wykorzystuje łatwopalny czynnik chłodniczy. W razie wycieku i kontaktu czynnika chłodniczego z ogniem lub elementem grzejnym powstanie szkodliwy gaz i wystąpi ryzyko pożaru.
	Przed przystąpieniem do obsługi należy uważnie przeczytać INSTRUKCJĘ OBSŁUGI.	
	Personel serwisowy ma obowiązek uważnie przeczytać INSTRUKCJĘ OBSŁUGI i INSTRUKCJĘ MONTAŻU przed przystąpieniem do obsługi.	
	Dodatkowe informacje można znaleźć w INSTRUKCJI OBSŁUGI, INSTRUKCJI MONTAŻU itp.	

## ! OSTRZEŻENIE:

- Użytkownik nie może samodzielnie instalować urządzenia. Montaż i naprawę urządzenia należy zlecić sprzedawcy lub uprawnionemu technikowi. Nieprawidłowa instalacja urządzenia może być przyczyną nieszczelności, porażenia prądem lub pożaru.
- Podczas prac instalacyjnych i przenoszenia należy postępować według zaleceń podanych w instrukcji montażu oraz używać narzędzi i rur specjalnie przeznaczonych do użytku z czynnikiem chłodniczym R32. W przypadku użycia rur nieprzeznaczonych dla czynnika chłodniczego R32 i nieprawidłowej instalacji rury mogą pękać, powodując uszkodzenia lub obrażenia ciała. Grozi to także nieszczelnością, porażeniem prądem lub pożarem.
- Urządzenie należy zainstalować zgodnie z instrukcją celem zminimalizowania ryzyka powstania uszkodzeń spowodowanych trzęsieniem ziemi, tajfunem lub silnym wiatrem. Nieprawidłowo zainstalowane urządzenie może spaść z wysokości i spowodować szkody materialne i/lub obrażenia ciała.
- Urządzenie należy zamontować na konstrukcji, która bezpiecznie wytrzyma jego ciężar. W przypadku montażu na niestabilnej konstrukcji urządzenie może spaść z wysokości i spowodować szkody materialne i/lub obrażenia ciała.
- Jeśli pompa ciepła powietrze-woda zostanie zainstalowana w małym pomieszczeniu, należy podjąć odpowiednie kroki, aby w razie wycieku stężenie czynnika chłodniczego w pomieszczeniu nie przekroczyło bezpiecznego poziomu. W sprawie odpowiednich kroków mających zapobiec zbyt dużemu stężeniu czynnika chłodniczego należy skontaktować się ze sprzedawcą. W razie wycieku i przekroczenia bezpiecznego poziomu czynnika chłodniczego w pomieszczeniu istnieje zagrożenie zmniejszenia zawartości tlenu w powietrzu.
- Jeśli podczas pracy dojdzie do wycieku czynnika chłodniczego, należy przewietrzyć dane pomieszczenie. Jeśli dojdzie do kontaktu czynnika chłodniczego z ogniem, zostaną uwolnione trujące gazy.
- Wszystkie prace elektryczne muszą być prowadzone przez wykwalifikowanego elektryka zgodnie z lokalnymi przepisami i zaleceniami podanymi w niniejszej Instrukcji. Do zasilania urządzenia należy użyć dedykowanych przewodów i odpowiednich wyłączników oraz wartości napięcia. Użycie przewodów nieodpowiednich do wartości obciążenia lub niewłaściwe wykonanie prac elektrycznych może być przyczyną porażenia prądem lub pożaru.
- W przypadku bezszwowych rur miedzianych lub ze stopów miedzi do łączenia rur czynnika chłodniczego należy używać stopu miedzi z fosforem C1220. Jeśli rury nie zostaną połączone prawidłowo, urządzenie nie będzie odpowiednio uziemione i może dojść do porażenia prądem elektrycznym.
- W sklepach, w przemyśle lekkim i w gospodarstwach rolnych urządzenie powinno obsługiwać profesjonalni lub przeszkoleni użytkownicy, a w celach komercyjnych osoby nieposiadające fachowej wiedzy.
- Do okablowania należy użyć wyłącznie określonych przewodów. Przewody należy odpowiednio podłączyć do listwy zaciskowej tak, aby zaciski nie były naprężone. Ponadto, nigdy nie należy łączyć ze sobą przewodów (o ile nie zaznaczono inaczej w niniejszym dokumencie). Nieprzeostrożenie tych zaleceń może spowodować przegrzanie urządzenia lub pożar.
- Jeśli przewód sieciowy jest uszkodzony, musi zostać wymieniony przez producenta, przedstawiciela jego serwisu lub osobę o podobnych kwalifikacjach, aby uniknąć zagrożenia.
- Urządzenie należy zainstalować zgodnie z krajowymi przepisami dotyczącymi instalacji elektrycznych.
- Osłona listwy zaciskowej jednostki zewnętrznej musi być dokładnie zamocowana. W przypadku nieprawidłowego montażu tej osłony pył i wilgoć mogą przedostać się do środka urządzenia i być przyczyną porażenia prądem lub pożaru.

# 1. Zalecenia bezpieczeństwa

- Do napełniania przewodów czynnika chłodniczego w trakcie montażu, przenoszenia lub serwisowania pompy ciepła typu powietrze/woda stosować wyłącznie wskazany czynnik chłodniczy (R32). Nie należy mieszać go z innym czynnikiem chłodniczym ani dopuszczać do pozostawiania powietrza w przewodach. Zmieszanie czynnika z powietrzem może spowodować nieprawidłowe wysokie ciśnienie w układzie chłodniczym i doprowadzić do wybuchu bądź innych zagrożeń. Zastosowanie czynnika innego od określonego dla tego układu spowoduje uszkodzenia mechaniczne, awarię układu lub uszkodzenie jednostki. W najgorszym przypadku może to doprowadzić do poważnego naruszenia bezpieczeństwa produktu.
- Używać tylko wyposażenia dodatkowego dopuszczonego przez Mitsubishi Electric; zlecić montaż sprzedawcy lub uprawnionemu technikowi. Nieprawidłowa instalacja wyposażenia dodatkowego może być przyczyną nieszczelności, porażenia prądem lub pożaru.
- Nie wykonywać żadnych przeróbek urządzenia. Może to spowodować pożar, porażenie prądem elektrycznym, obrażenia ciała lub wyciek wody.
- Użytkownik nie powinien samowolnie próbować naprawiać ani przestawiać urządzenia w inne miejsce. Nieprawidłowa instalacja urządzenia może być przyczyną nieszczelności, porażenia prądem lub pożaru. W przypadku konieczności naprawy lub przeniesienia w inne miejsce pompy ciepła powietrze-woda należy zwrócić się do sprzedawcy lub autoryzowanego technika.
- W przypadku nieszczelności obiegu chłodzącego, NIE wolno przeprowadzać odpompowania za pomocą sprężarki.
- Podczas odpompowywania czynnika chłodniczego, przed odłączeniem przewodów czynnika chłodniczego należy wyłączyć sprężarkę. W przypadku dostania się powietrza itp. do sprężarki, może dojść do jej wybuchu.
- Po zakończeniu instalacji sprawdzić, czy nie ma nieszczelności w obiegu czynnika chłodniczego. W przypadku wycieku czynnika chłodniczego do wnętrza pomieszczenia i jego kontaktu z płomieniem kotła grzewczego lub palnikiem kucharki elektrycznej powstają trujące gazy.
- Nie stosować środków przyspieszających proces odszraniania ani czyszczących innych niż zalecane przez producenta.
- Urządzenie należy przechowywać w pomieszczeniu, w którym nie występują stale działające źródła zapłonu (na przykład: otwarty płomień, działające urządzenie gazowe lub działający grzejnik elektryczny).
- Nie przebijać ani nie palić.
- Należy mieć świadomość, że czynniki chłodnicze mogą nie mieć zapachu.
- ⊙ Przewody rurowe należy zabezpieczyć przed uszkodzeniem.
- Ograniczyć instalację przewodów rurowych do minimum.
- Należy przestrzegać krajowych przepisów dotyczących gazu.
- Nie zasłaniać żadnych wymaganych otworów wentylacyjnych.
- ⊙ W przypadku lutowania rur czynnika chłodniczego nie należy używać nisko-temperaturowych stopów lutowniczych.
- ⊙ Podczas lutowania należy zadbać o dobrą wentylację pomieszczenia. Upewnić się, że w pobliżu nie ma żadnych materiałów niebezpiecznych ani łatwopalnych.
- Wykonując prace w zamkniętym lub małym pomieszczeniu albo w podobnym miejscu, przed rozpoczęciem prac należy upewnić się, że nie ma wycieku czynnika chłodniczego. Wyciek i nagromadzenie czynnika chłodniczego grozi zapłonem lub uwolnieniem trujących gazów.
- ⊙ Urządzenie należy przechowywać w pomieszczeniu o dobrej wentylacji, którego powierzchnia jest zgodna z zaleceniami dotyczącymi pracy.
- ⊙ W miejscu montażu, naprawy lub innych prac przy pompie ciepła typu powietrze/woda nie powinny znajdować się urządzenia gazowe, grzejniki elektryczne ani inne źródła ognia (źródła zapłonu). Jeśli dojdzie do kontaktu czynnika chłodniczego z ogniem, zostaną uwolnione trujące gazy.
- ⊙ Nie palić podczas obsługi i transportu.
- ⊙ Uzupełniając czynnik chłodniczy, nie przekraczać maksymalnej dozwolonej ilości dla każdej jednostki zewnętrznej. Przekroczenie maksymalnej ilości czynnika chłodniczego może doprowadzić do pożaru w przypadku jego wycieku.

## 1.1. Przed instalacją

### PRZESTROGA:

- Nie używać urządzenia w środowisku odbiegającym od normalnego. Jeśli pompa ciepła powietrze-woda jest zainstalowana w miejscu narażonym na działanie pary wodnej, olejków eterycznych (w tym oleju maszynowego), zsiarzonego gazu, powietrza zawierającego sól, na przykład na wybrzeżu lub w miejscu, gdzie może zostać zasypana śniegiem, jej wydajność może ulec znaczącemu obniżeniu, a części wewnętrzne mogą ulec uszkodzeniu.
- Nie instalować urządzenia w miejscach, w których może dojść do wycieku, powstania, przepływu lub nagromadzenia palnych gazów. Gaz palny nagromadzony wokół urządzenia może być przyczyną pożaru lub wybuchu.
- Podczas ogrzewania w jednostce zewnętrznej powstają skropliny. Jeśli taki kondensat może spowodować szkody, należy odprowadzić go poza urządzenie.
- W przypadku instalacji urządzenia w szpitalu lub w obiekcie, w którym są zainstalowane systemy telekomunikacji, mogą występować szumy i zakłócenia elektroniczne. Falowniki, sprzęt AGD, sprzęt medyczny pracujący na wysokiej częstotliwości oraz systemy łączności radiowej mogą spowodować zakłócenia w pracy lub awarię pompy ciepła powietrze-woda. Pompa ciepła powietrze-woda również może powodować nieprawidłowości w pracy sprzętu medycznego i urządzeń telekomunikacyjnych, obniżając jakość obrazu na monitorach.

## 1.2. Przed instalacją (przeniesienie w inne miejsce)

### PRZESTROGA:

- Zachować szczególną ostrożność przy transporcie i instalacji urządzeń. Urządzenie waży 20 kg lub więcej i musi być przenoszone przez min. 2 osoby. Nie chwytać za taśmę opakowania. Podczas rozpakowywania i przenoszenia urządzenia należy nosić rękawice ochronne w celu ochrony rąk przed zranieniem spowodowanym użebrowaniem lub krawędziami innych części.
- Zapewnić bezpieczną utylizację materiału opakowania. Materiały opakowania, takie jak gwoździe i inne elementy metalowe oraz drewniane, mogą spowodować rany klute i inne obrażenia ciała.
- Należy okresowo sprawdzać, czy podstawa montażowa i mocowania jednostki zewnętrznej nie są odkręcone, pęknięte lub w inny sposób uszkodzone. Nieusunięcie takich usterek może doprowadzić do upadku urządzenia, powodując uszkodzenie i obrażenia ciała.
- Pompy ciepła powietrze-woda nie należy myć wodą. Ryzyko porażenia prądem elektrycznym.
- Dokręcić nakrętki kielichowe zgodnie ze specyfikacją, używając klucza dynamometrycznego. Zbyt mocne dokręcenie może doprowadzić do pęknięcia nakrętki kielichowej po dłuższym czasie i wycieku czynnika chłodniczego.

## 1.3. Przed rozpoczęciem prac na wyposażeniu elektrycznym

### PRZESTROGA:

- Upewnić się, że zainstalowano wyłączniki automatyczne. Ich brak może być przyczyną porażenia prądem elektrycznym.
- Do doprowadzenia zasilania użyć standardowych kabli odpowiednich do wielkości obciążenia. W przeciwnym razie może dojść do zwarcia, przegrzania lub pożaru.
- Kable zasilające układać tak, aby nie były naprężone. Poluzowanie połączeń może spowodować pęknięcie lub przerwanie oraz przegrzanie kabli, a w konsekwencji pożar.
- Wykonać prawidłowe uziemienie urządzenia. Nie łączyć przewodu uziemiającego z rurami gazowymi ani wodnymi, instalacją odgromową ani z telefonicznymi przewodami uziemiającymi. Niewłaściwe uziemienie urządzenia może stwarzać ryzyko porażenia prądem elektrycznym.
- Zastosować wyłączniki automatyczne (wyłączniki ziemnozwarciowe, odłączniki (bezpieczniki +B) oraz automatyczne wyłączniki kompaktowe) spełniające wymagania w zakresie podanego progu zadziałania. Użycie wyłączników o progu zadziałania większym niż podany może być przyczyną uszkodzenia urządzenia lub pożaru.

# 1. Zalecenia bezpieczeństwa

## 1.4. Przed rozpoczęciem pracy próbnej

### PRZESTROGA:

- Włączyć główny przełącznik zasilania na min. 12 h przed rozpoczęciem pracy. Uruchomienie urządzenia natychmiast po włączeniu zasilania może spowodować poważne uszkodzenie podzespołów wewnętrznych. Podczas eksploatacji urządzenia nie wyłączać głównego wyłącznika zasilania.
- Przed rozpoczęciem pracy urządzenia sprawdzić, czy wszystkie osłony, obudowy oraz pozostałe zabezpieczenia zostały prawidłowo założone. Części wirujące, gorące lub znajdujące się pod wysokim napięciem mogą powodować obrażenia ciała.

- Nie dotykać żadnych przełączników wilgotnymi rękoma. Ryzyko porażenia prądem elektrycznym.
- Podczas pracy nie dotykać przewodów czynnika chłodniczego gołymi rękoma. Przewody te są gorące lub zimne zależnie od stanu przepływającego w nich czynnika chłodniczego. Dotknięcie rur grozi poparzeniem lub odmrożeniem.
- Po zakończeniu pracy odczekać min. 5 minut przed wyłączeniem głównego wyłącznika zasilania. W przeciwnym razie może dojść do wycieku wody lub uszkodzenia urządzenia.

## 1.5. Użycie czynnika chłodniczego R32 w pompie ciepła powietrze-woda

### PRZESTROGA:

- W przypadku bezszwowych rur miedzianych lub ze stopów miedzi do łączenia rur czynnika chłodniczego należy używać stopu miedzi z fosforem C1220. Upewnić się, że rury są wewnątrz czyste i nie zawierają żadnych szkodliwych zanieczyszczeń, takich jak związki siarki, utleniacze, zabrudzenia lub pył. Stosować rury o określonej grubości. (Patrz punkt 4.1.) W razie ponownego wykorzystania istniejących rur, które zawierały czynnik chłodniczy R22, należy uwzględnić poniższe zalecenia.
  - Wymienić istniejące nakrętki kielichowe i powtórzyć kielichowanie rur kielichowanych.
  - Nie używać cienkich rur. (Patrz punkt 4.1.)
- Rury przeznaczone do instalacji należy przechować w pomieszczeniu i nie usuwać zaślepek z ich końców aż do czasu lutowania. (Zostawić kolanka itp. w ich opakowaniach). W przypadku przedostania się pyłu, zanieczyszczeń lub wilgoci do rur czynnika chłodniczego może dojść do pogorszenia się jakości oleju lub awarii sprężarki.
- Jako olej chłodniczy do smarowania rur kielichowanych powinien być używany olej estrowy, olej eterowy lub olej alkilobenzenowy (niewielka ilość). Zmieszanie oleju mineralnego z olejem chłodniczym może pogorszyć jego jakość.

- Serwisowanie należy prowadzić wyłącznie według zaleceń producenta.
- Używać wyłącznie czynnika chłodniczego R32. W przypadku użycia innego czynnika chłodniczego chlor spowoduje pogorszenie jakości oleju.
- Stosować niżej wymienione narzędzia przeznaczone specjalnie do pracy z czynnikiem chłodniczym R32. Czynnikiem chłodniczym R32 wymaga stosowania poniższych narzędzi. W razie jakichkolwiek pytań należy kontaktować się z lokalnym sprzedawcą.

Narzędzia (kompatybilne z R32)	
Przyłącze manometru	Kielichownica
Wąż zasilający	Sprawdzian do regulacji wymiarów
Wykrywacz wycieku gazu	Adapter pompy próżniowej
Klucz dynamometryczny	Elektroniczna waga do uzupełniania czynnika

- Upewnić się, że są stosowane odpowiednie narzędzia. W przypadku przedostania się pyłu, zanieczyszczeń lub wilgoci do rur czynnika chłodniczego jakość oleju chłodniczego może ulec pogorszeniu.

## 2. Wybór miejsca instalacji

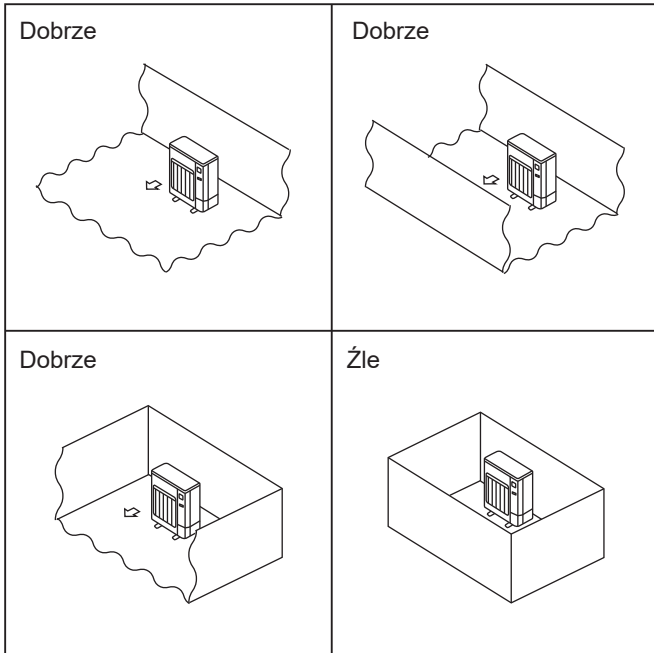


Fig. 2-1

### 2.1. Jednostka zewnętrzna

- Czynnikiem chłodniczym R32 jest cięższy od powietrza — podobnie jak inne czynniki chłodnicze — w związku z czym zazwyczaj gromadzi się przy podstawie (przy podłodze). Jeśli czynnik chłodniczy R32 gromadzi się wokół podstawy, w małych pomieszczeniach może osiągnąć stężenie grożące zapłonem. Aby uniknąć zapłonu, należy zadbać o bezpieczne środowisko pracy, zapewniając odpowiednią wentylację. W razie stwierdzenia wycieku czynnika chłodniczego w pomieszczeniu lub w miejscu o niedostatecznej wentylacji, nie wolno używać otwartego ognia do czasu poprawy środowiska pracy poprzez zapewnienie odpowiedniej wentylacji.
- Miejsce, w którym nie będzie narażona na silny wiatr.
- Miejsce, gdzie przepływ powietrza jest dobry i bezpyłowy.
- Miejsce, w którym nie będą występować krótkie cykle pracy.
- Miejsce, w którym sąsiedzi nie będą narażeni na hałas i gorące powietrze.
- Miejsce, gdzie dostępna jest sztywna ściana lub podpora, zapobiegające wzrostowi hałasu i wibracji.
- Miejsce, w którym nie ma ryzyka wycieku palnego gazu.
- W przypadku instalacji jednostki na wysokości, należy zamontować nóżki jednostki.
- Miejsce znajdujące się minimum 3 m od anteny telewizyjnej lub radiowej (w przeciwnym razie mogą pojawić się zakłócenia obrazu lub dźwięku).
- Należy instalować ją w miejscu, w którym nie gromadzi się spadający ani nawiewany śnieg. W rejonach dużych opadów śniegu należy zamontować osłonę, cokół i/lub ekrany.
- Jednostkę zamontować poziomo.
- Połączenia rur czynnika chłodniczego powinny być dostępne do celów konserwacji.
- Jednostki zewnętrzne należy montować w miejscach, które są otwarte z co najmniej jednej z czterech stron i oferują dostatecznie dużą powierzchnię bez zagłębień. (Fig. 2-1)

### PRZESTROGA:

Należy unikać następujących miejsc montażu, w których mogą występować problemy z pompą ciepła typu powietrze/woda.

- Słone środowisko, jak na przykład obszary nadmorskie.
- W pobliżu źródeł termalnych.
- Miejsca występowania oparów związków siarki.
- Inne specjalne obszary atmosferyczne.

Podczas ogrzewania w jednostce zewnętrznej gromadzą się skropliny. Należy wybrać miejsce instalacji umożliwiające zapobieganie zawilgoceniu jednostki zewnętrznej i/lub powierzchni przez skropliny i uszkodzeniu przez zamarzające skropliny.

## 2. Wybór miejsca instalacji

### 2.2. Minimalna powierzchnia montażowa

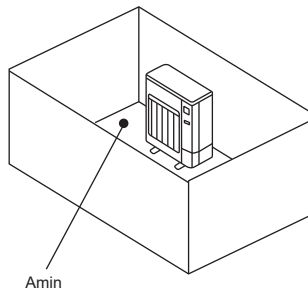
Jeśli nie można uniknąć montażu urządzenia w miejscu, którego wszystkie cztery strony są zablokowane lub w którym występują zagłębienia, należy spełnić jeden z następujących warunków (A, B lub C).

**Uwaga: Zastosowanie tych rozwiązań zapewni bezpieczną pracę, lecz może obniżyć wydajność urządzenia.**

A) Zapewnić odpowiednią przestrzeń montażową (minimalny obszar instalacji Amin).

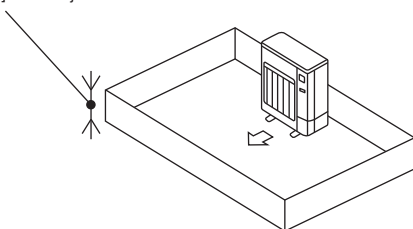
Urządzenie należy zainstalować w miejscu o minimalnym obszarze instalacji Amin odpowiadającemu ilości M czynnika chłodniczego (czynnik chłodniczy napełniony fabrycznie + czynnik chłodniczy dodany na miejscu).

M [kg]	Amin [m <sup>2</sup> ]
1,0	12
1,5	17
2,0	23
2,5	28
3,0	34
3,5	39
4,0	45
4,5	50
5,0	56
5,5	62
6,0	67
6,5	73
7,0	78
7,5	84

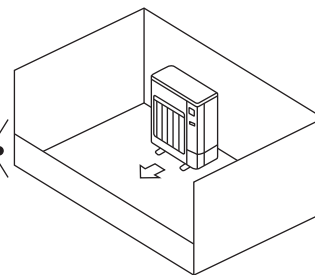


B) Urządzenie należy zainstalować w miejscu z obrzeżem o wysokości  $\leq 0,125$  [m].

Wysokość od podłogi  
0,125 [m] lub mniej



Wysokość od podłogi  
0,125 [m] lub mniej

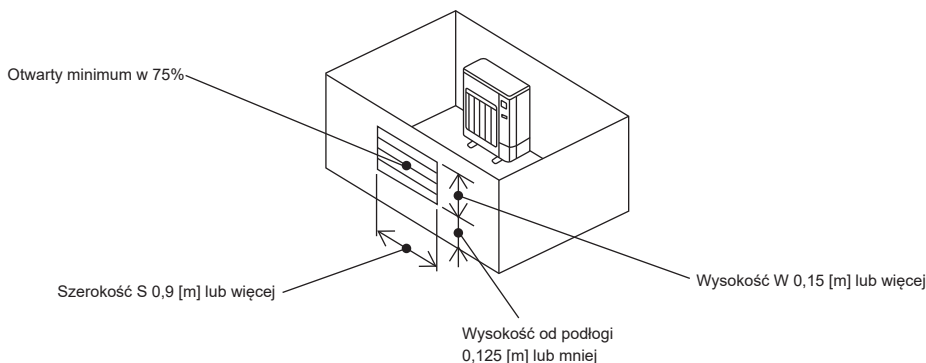


C) Zapewnić odpowiedni otwór wentylacyjny.

Upewnić się, że otwór ma co najmniej 0,9 [m] szerokości i 0,15 [m] wysokości.

Natomiast wysokość od podłogi przestrzeni montażowej do dolnej krawędzi otworu wentylacyjnego powinna wynosić maksymalnie 0,125 [m].

Otwór wentylacyjny powinien być otwarty minimum w 75%.



**Uwaga: W przypadku jednostki wewnętrznej nie ma ograniczeń dotyczących montażu w związku z użyciem czynnika chłodniczego R32. Należy odnieść się do instrukcji montażu jednostki wewnętrznej i sprawdzić wymaganą powierzchnię montażu.**



### 3. Schemat instalacji

#### 3.1. Jednostka zewnętrzna (Fig. 3-1)

##### Wentylacja i przestrzeń serwisowa

- Ⓐ 100 mm lub więcej
- Ⓑ 350 mm lub więcej
- Ⓒ 500 mm lub więcej

Jeżeli przewody mają być przymocowane do ściany zawierającej elementy metalowe (ocynkowane) lub metalową siatkę, należy zastosować poddane obróbce chemicznej elementy drewniane o grubości min. 20 mm między ścianą a przewodami lub owinąć je 7 do 8 razy winylową taśmą izolacyjną.

Jednostki powinien montować uprawniony wykonawca zgodnie z wymogami lokalnego prawa.

- SUZ-SWM80VA2, SUZ-SWM80VAH2, SUZ-SWM100VA, SUZ-SWM100VAH, SUZ-SHWM60VAH

##### Uwaga:

Jeśli pompa ciepła typu powietrze/woda będzie pracować w niskich temperaturach na zewnątrz, należy postępować zgodnie z poniżej opisanymi instrukcjami.

- Jednostki zewnętrznej nigdy nie instalować w miejscu, w którym wlot/wylot powietrza byłby narażony na bezpośrednie działanie wiatru.
- Aby jednostka zewnętrzna nie była narażona na działanie wiatru, należy zainstalować ją wlotem powietrza skierowanym w stronę ściany.
- Aby jednostka zewnętrzna nie była narażona na działanie wiatru, od strony wylotu powietrza zaleca się zamontowanie płyty ochronnej.

- SUZ-SWM30VA, SUZ-SWM40VA2, SUZ-SWM60VA2, SUZ-SHWM30VAH, SUZ-SHWM40VAH

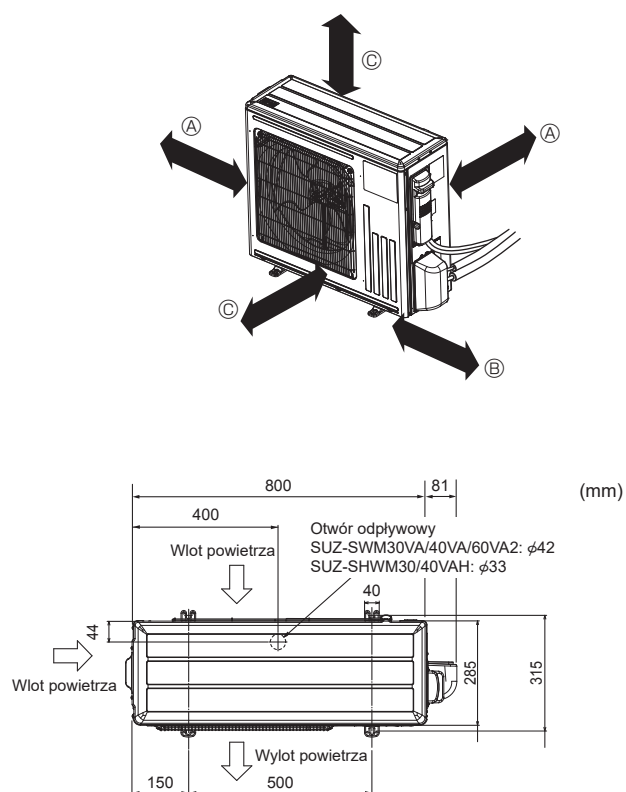
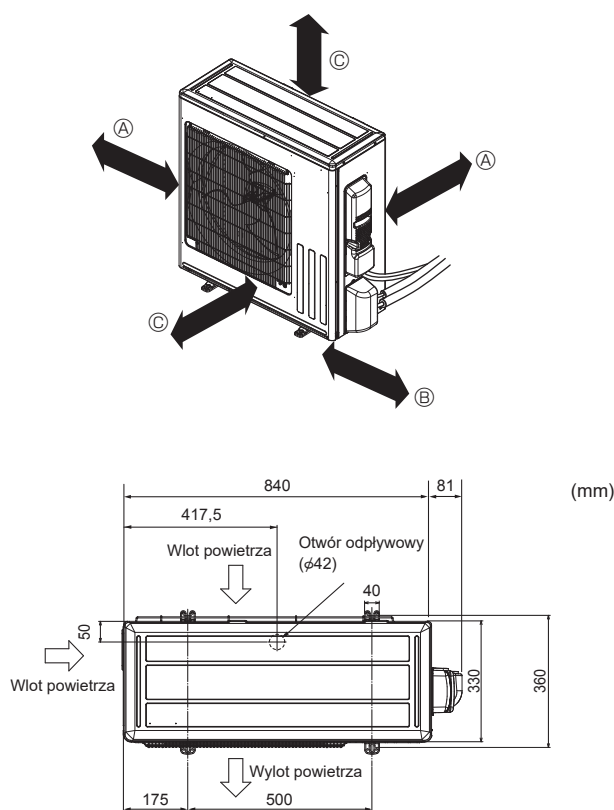


Fig. 3-1

### 4. Odprowadzenie skroplin dla jednostki zewnętrznej (Fig. 4-1)

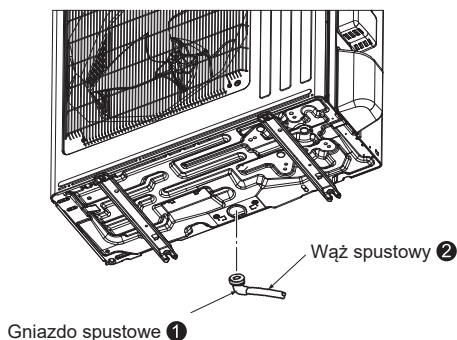


Fig. 4-1

#### 4.1. Wyposażenie

Przed instalacją należy sprawdzić następujące części.

<Jednostka zewnętrzna>

❶	Gniazdo spustowe	1
---	------------------	---

- Przed podłączeniem przewodów wewnętrznych i zewnętrznych zapewnić odprowadzenie skroplin. (Jeśli podłączenie przewodów wewnętrznych i zewnętrznych zostanie przeprowadzone przed poprowadzeniem przewodu spustowego, montaż gniazda spustowego ❶ zostanie utrudniony, ponieważ jednostka zewnętrzna zostanie unieruchomiona).
- Podłączyć wąż spustowy ❷ (do kupienia w sklepie, średnica wewnętrzna: 15 mm), jak przedstawiono na rysunku układu spustowego.
- Zapewnić odpowiedni stopień nachylenia przewodu spustowego, aby ułatwić odprowadzanie wody.

##### Uwaga:

Gniazda spustowego ❶ nie należy stosować w chłodnym klimacie. Spust może zamrznąć i spowodować zatrzymanie wentylatora. Gniazdo spustowe nie jest dołączane w serii SHWM.

## 5. Przewody czynnika chłodniczego

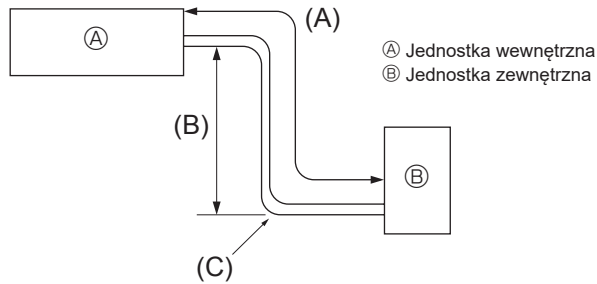


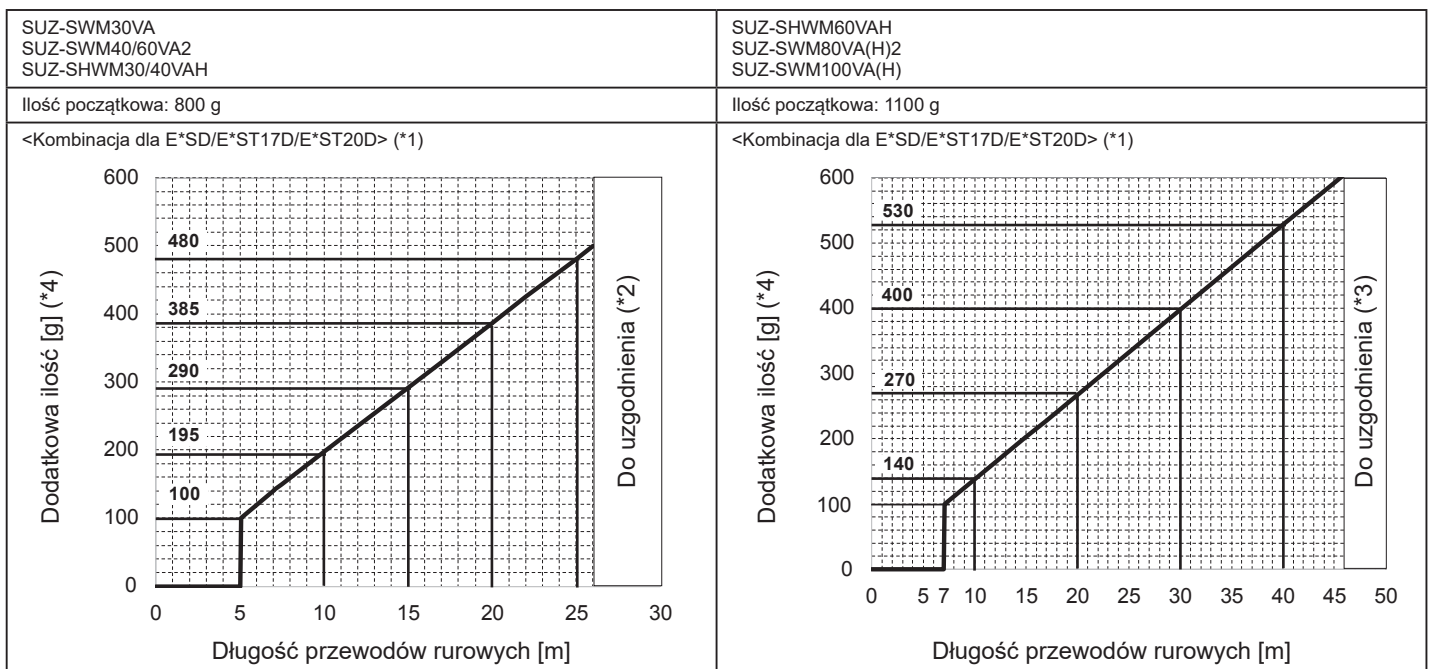
Fig. 5-1

### 5.1. Rura czynnika chłodniczego (Fig. 5-1)

► Należy upewnić się, że różnica wysokości między jednostką wewnętrzną i zewnętrzną, długość rury czynnika chłodniczego oraz liczba zgięć rury mieszczą się w granicach przedstawionych poniżej.

Modele	(A) Długość rury (w jedną stronę)	(B) Różnica wysokości	(C) Liczba zgięć (w jedną stronę)
SUZ-SWM30VA	2 m - 26 m	Maks. 26 m	Maks. 10
SUZ-SHWM30VAH			
SUZ-SWM40VA2			
SUZ-SHWM40VAH			
SUZ-SWM60VA2			
SUZ-SHWM60VAH	2 m - 46 m	Maks. 30 m	
SUZ-SWM80VA(H)2			
SUZ-SWM100VA(H)			

• Ograniczenia różnicy wysokości są wiążące niezależnie od tego, która jednostka, wewnętrzna lub zewnętrzna, jest zamontowana wyżej.



\*1. W przypadku podłączenia modelu E\*ST30D, ZAWSZE należy dodać 50 g ponad dodatkową ilość podaną na wykresach.

\*2. W przypadku przewodów rurowych o długości ponad 26 m, należy skontaktować się z naszym specjalistą.

\*3. W przypadku przewodów rurowych o długości ponad 46 m, należy skontaktować się z naszym specjalistą.

\*4. W przypadku pełnego naładowania; ilość początkowa + dodatkowa

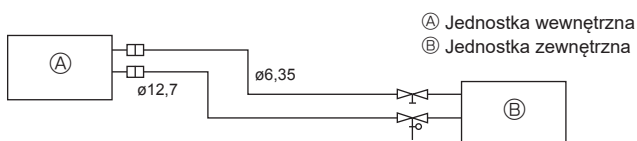


Fig. 5-2

(1) Poniższa tabela zawiera dane techniczne rur dostępnych na rynku. (Fig. 5-2)

Model	Rura	Średnica zewnętrzna		Min. grubość izolacji	Materiał izolacji	Materiał izolacji
		mm	cale			
Wszystkie modele	Ciecz	6,35	1/4	0,8 mm	8 mm	Pianka izolacyjna ognioodporna, ciężar właściwy 0,045
	Gaz	12,7	1/2	0,8 mm	8 mm	

(2) Należy upewnić się, że 2 rury czynnika chłodniczego są dobrze zaizolowane, aby zapobiec skraplaniu.

(3) Promień zginania rur czynnika chłodniczego musi wynosić min. 100 mm.



### PRZESTROGA:

Stosowanie starannej izolacji o określonej grubości. Nadmierna grubość izolacji uniemożliwia prowadzenie rury za jednostką wewnętrzną, a zbyt mała powoduje skraplanie.

- Należy zapewnić odpowiednią wentylację, aby nie dopuścić do zapłonu. Należy także podjąć właściwe działania przeciwpożarowe, usuwając z otoczenia niebezpieczne i łatwopalne przedmioty.
- Uzupełnianie czynnika chłodniczego R32: Przed uzupełnieniem czynnika chłodniczego R32 w urządzeniu należy upewnić się, że urządzenie zostało w 100% odłączone od zasilania sieciowego, aby całkowicie wyeliminować ryzyko wybuchu z powodu obecności iskier elektrycznych.
- Materiały izolacyjne powinny mieć następujące parametry.
  - (1) Współczynnik przewodzenia ciepła: 0,040 W/mK lub mniej
  - (2) Grubość izolacji: 9 mm lub więcej
  - (3) Wytrzymałość cieplna: 110°C lub więcej
 Jeśli długość przewodów rurowych na zewnątrz przekracza 15 m, grubość izolacji powinna wynosić 18 mm lub więcej.

## 5. Przewody czynnika chłodniczego

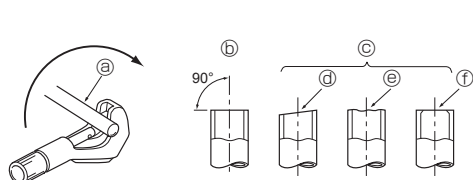


Fig. 5-3

- Ⓐ Rury miedziane
- Ⓑ Dobre
- Ⓒ Żle
- Ⓓ Pochyłość
- Ⓔ Nierówne
- Ⓕ Z zadziorami

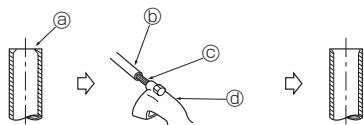


Fig. 5-4

- Ⓐ Zadzior
- Ⓑ Rura miedziana
- Ⓒ Dodatkowy rozwiertak
- Ⓓ Narzędzie do cięcia rur

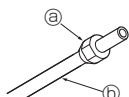


Fig. 5-5

- Ⓐ Nakrętka kielichowa
- Ⓑ Rura miedziana

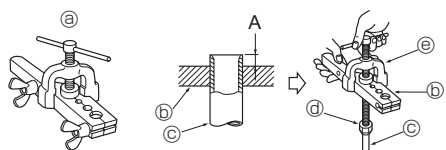


Fig. 5-6

- Ⓐ Kielichownica
- Ⓑ Głowica kielichująca
- Ⓒ Rura miedziana
- Ⓓ Nakrętka kielichowa
- Ⓔ Widełki

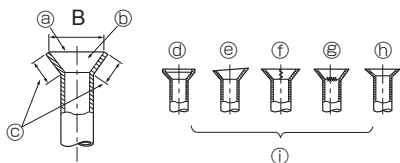


Fig. 5-7

### 5.2. Kielichowanie

- Główną przyczyną wycieku gazu jest niepoprawne kielichowanie. Wykonanie poprawnego kielichowania opisano poniżej.

#### 5.2.1. Cięcie rur (Fig. 5-3)

- Do poprawnego cięcia rur miedzianych należy użyć narzędzia do cięcia rur.

#### 5.2.2. Usuwanie zadziorów (Fig. 5-4)

- Należy całkowicie usunąć wszelkie zadzior z końcówki rury.
- Podczas usuwania zadziorów należy skierować końcówkę rury miedzianej w dół, aby uniknąć wpadania zadziorów do środka.

#### 5.2.3. Zakładanie nakrętki (Fig. 5-5)

- Należy usunąć nakrętki kielichowe jednostki wewnętrznej i zewnętrznej, a następnie po usunięciu zadziorów umieścić je na rurze.
- (Po ukończeniu kielichowania nałożenie nakrętek nie będzie możliwe).

#### 5.2.4. Kielichowanie (Fig. 5-6)

- Kielichowanie rur należy wykonywać za pomocą kielichownicy, jak pokazano na rysunku po lewej.

Średnica rury (mm)	Wymiary	
	A (mm)	B <sup>+0</sup> <sub>-0,4</sub> (mm)
	Stosując narzędzie dla czynnika R32	
	Typ bloku zaciskowego	
6,35	0–0,5	9,1
9,52	0–0,5	13,2
12,7	0–0,5	16,6
15,88	0–0,5	19,7

Należy mocno zaciśnąć rurę miedzianą w głowicy kielichującej o wymiarach przedstawionych w tabeli powyżej.

#### 5.2.5. Test (Fig. 5-7)

- Należy porównać kielichowanie z rysunkiem po lewej stronie.
- Jeśli kielichowanie jest niepoprawne, należy odciąć rozszerzenie i przeprowadzić kielichowanie ponownie.

- Ⓐ Całość gładka
- Ⓑ Wewnętrzna strona błyszcząca, bez żadnych rys
- Ⓒ Równa długość na całej długości
- Ⓓ Zbyt dużo
- Ⓔ Pochyłość
- Ⓕ Rysa na powierzchni kielichowania
- Ⓖ Pęknięcie
- Ⓖ Nierówna powierzchnia
- Ⓕ Przykłady złego wykonania

- Nałożyć cienką warstwę oleju chłodniczego na powierzchnię stykową rury (Fig. 5-8).
- Przed podłączeniem należy najpierw wyrównać, a następnie wkręcić nakrętkę kielichową o pierwsze 3 do 4 obrotów.
- Podczas dokręcania bocznej złączki przyłączeniowej jednostki wewnętrznej należy sprawdzić dane w tabeli momentów dokręcania poniżej, a następnie dokręcić za pomocą dwóch kluczy. Nadmierne dokręcenie uszkodzi rozszerzenie rury.

Rura miedziana, śr. zewn. (mm)	Średn. zewn. nakrętki kielichowej (mm)	Moment dokręcania (Nm)
ø6,35	17	14–18
ø9,52	22	34–42
ø12,7	26	49–61
ø15,88	29	68–82

### ⚠ OSTRZEŻENIE:

Podczas montażu jednostki, przed uruchomieniem sprężarki należy starannie podłączyć rury czynnika chłodniczego.

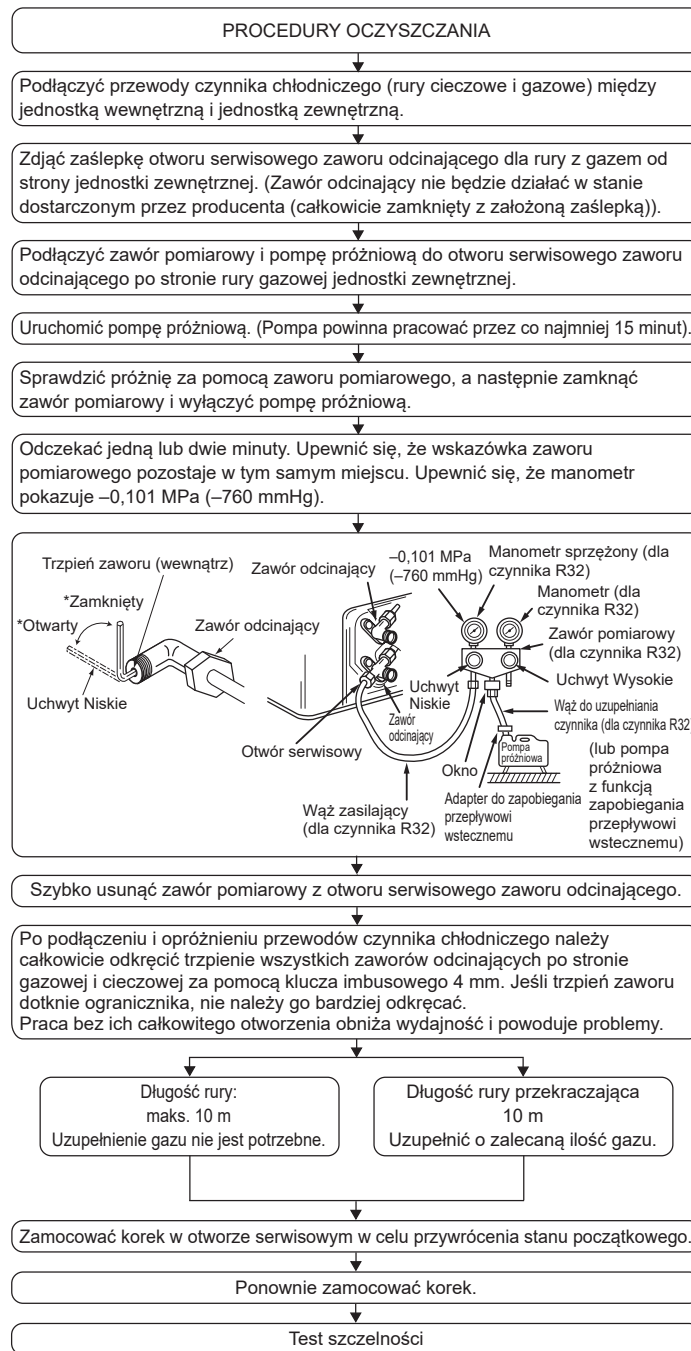
### ⚠ OSTRZEŻENIE:

Uważać na odskakujące nakrętki kielichowe! (W wyniku wzrostu ciśnienia) Nakrętki kielichowe należy usuwać w określony poniżej sposób:

1. Odkręcać nakrętkę, aż do usłyszenia syczenia.
2. Nie usuwać nakrętki, aż gaz nie zostanie uwolniony w całości (tj. syczenie ustanie).
3. Sprawdzić, czy gaz został uwolniony w całości, a następnie usunąć nakrętkę.

## 5. Przewody czynnika chłodniczego

### 5.3. Działania oczyszczające — test szczelności

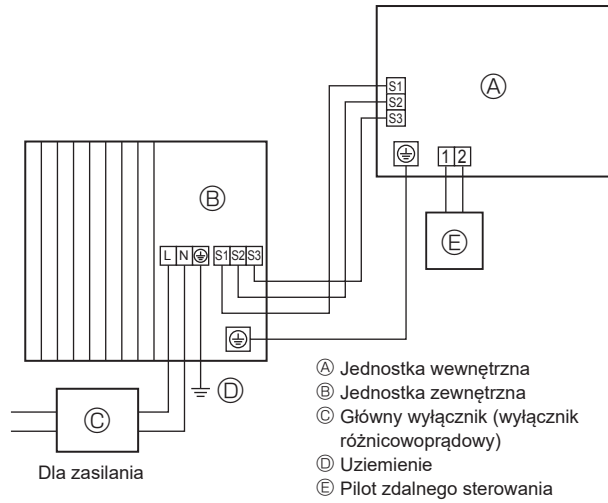


## 6. Instalacja elektryczna

### 6.1. Jednostka zewnętrzna (Fig. 6-1, Fig. 6-2, Fig. 6-3)

- ① Usunąć panel serwisowy.
- ② Podłączyć przewody zgodnie z Fig. 6-1, Fig. 6-2 i Fig. 6-3.

#### ■ SUZ-SHWM60VAH, SUZ-SWM80VA(H)2, SUZ-SWM100VA(H)



#### ■ SUZ-SHWM30/40VAH, SUZ-SWM30VA, SUZ-SWM40/60VA2

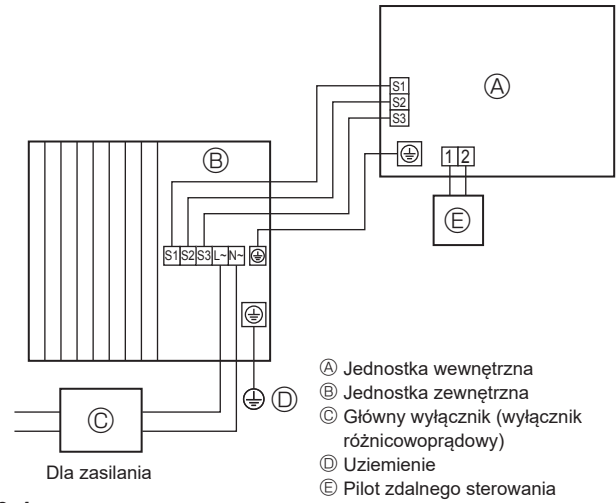


Fig. 6-1

#### ■ W przypadku SUZ-SHWM30/40VAH, SUZ-SWM30VA/40VA2/60VA2

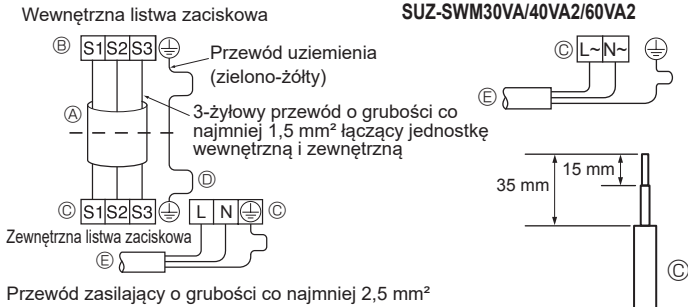
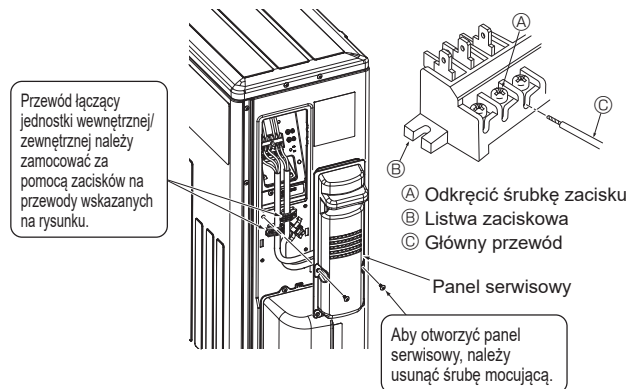


Fig. 6-2

#### ■ SUZ-SWM30VA, SUZ-SWM40VA2, SUZ-SWM60VA2, SUZ-SHWM30VAH, SUZ-SHWM40VAH



#### ■ SUZ-SWM80VA2, SUZ-SWM100VA, SUZ-SWM80VAH2, SUZ-SWM100VAH, SUZ-SHWM60VAH

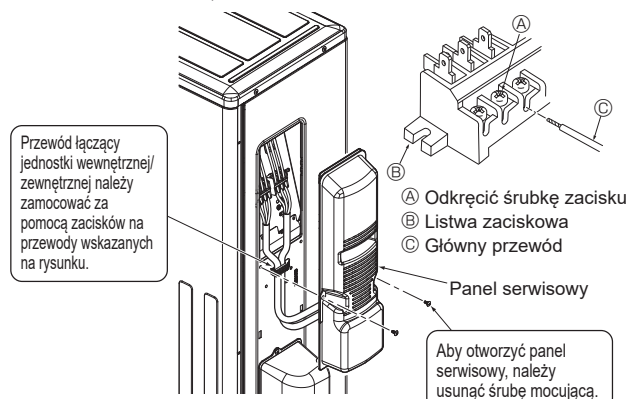


Fig. 6-3

- Przewody należy poprowadzić zgodnie ze schematem po lewej stronie poniżej (przewód zakupić we własnym zakresie) (Fig. 6-2). Należy stosować tylko przewody o odpowiedniej biegunowości.

- A Przewód przyłączeniowy
- B Wewnętrzna listwa zaciskowa
- C Zewnętrzna listwa zaciskowa
- D Zawsze mocować przewód uziemienia o długości większej niż pozostałe przewody.
- E Przewód zasilający
- F Główny przewód

- Przewód uziemienia powinien być nieco dłuższy od pozostałych. (Ponad 100 mm)
- Z myślą o przyszłym serwisowaniu należy zastosować odpowiednio dłuższe przewody zasilające.
- Podczas mocowania przewodów do listwy zaciskowej należy wkręcić poszczególne śruby w odpowiednie zaciski.

- Przewód z jednostki wewnętrznej należy odpowiednio podłączyć do listwy zaciskowej.
- Należy używać tych samych listw zaciskowych i biegunowości, co w przypadku jednostki wewnętrznej.
- Na potrzeby przeprowadzania konserwacji należy zastosować odpowiednio dłuższy przewód zasilający.

- Na obu końcach przewodu zasilającego (przewodu przedłużającego) należy usunąć izolację. Jeśli przewód jest zbyt długi lub podłączony przez odcięcie na środku, należy usunąć izolację przewodu na odcinku przedstawionym na rysunku.
- Należy uważać, aby nie pozwolić na kontakt przewodu z instalacją rurową.

### ⚠ PRZESTROGA:

- Należy uważać, aby nie dokonać błędnego podłączenia przewodów.
- Mocno dokręcić śruby zaciskowe, zapobiegając ich poluzowaniu.
- Po dokręceniu lekko pociągnąć za przewody, sprawdzając, czy się nie ruszają.

### ⚠ OSTRZEŻENIE:

- Panel serwisowy jednostki zewnętrznej należy mocno zamocować. Jeśli nie jest odpowiednio zamocowany, może to spowodować pożar lub porażenie prądem z powodu dostającego się tam pyłu, wody itp.
- Należy mocno dokręcić śruby zaciskowe.
- Okablowanie należy prowadzić tak, aby linie zasilające nie były naprężone. W przeciwnym wypadku może dojść do ich nagrzania lub pożaru.

## 6. Instalacja elektryczna

### 6.2. Biegunowe przewody elektryczne

Model jednostki zewnętrznej	SUZ-SHWM30VAH/40VAH SUZ-SWM30VA/40VA2/60VA2	SUZ-SHWM60VAH SUZ-SWM80VA(H)2/SWM100VA(H)
Zasilanie jednostki zewnętrznej	~N (jednofazowe), 50 Hz, 230 V	~N (jednofazowe), 50 Hz, 230 V
Napięcie wejściowe jednostki zewnętrznej, wyłącznik główny (wyłącznik)	*1 16 A	20 A
Liczba przewodów × grubość (mm <sup>2</sup> )	Zasilanie jednostki zewnętrznej	2 × min. 2,5
	Uziemienie zasilania jednostki zewnętrznej	1 × min. 2,5
	Jednostka wewnętrzna – jednostka zewnętrzna	3 × 1,5 (biegunowy)
	Uziemienie: jednostka wewnętrzna – jednostka zewnętrzna	1 × min. 1,5
Parametry znamionowe obwodu	Jednostka zewnętrzna między przewodem fazowym a neutralnym	*2 230 V AC
	Jednostka wewnętrzna – jednostka zewnętrzna S1 – S2	*2 230 V AC
	Jednostka wewnętrzna – jednostka zewnętrzna S2 – S3	*2 12 V DC – 24 V DC

\*1. Należy dostarczyć wyłącznik z przerwą między stykami wynoszącą minimum 3 mm. Należy zastosować wyłącznik różnicowoprądowy (NV).

Upewnić się, że wyłącznik różnicowoprądowy jest kompatybilny z wyższymi harmonicznymi.

Należy stosować wyłącznie wyłączniki różnicowoprądowe kompatybilne z wyższymi harmonicznymi, ponieważ jednostka wyposażona jest w falownik.

Zastosowanie nieodpowiedniego wyłącznika może spowodować nieodpowiednie działanie falownika.

\*2. Przedstawione liczby NIE we wszystkich wypadkach biorą pod uwagę uziemienie.

Między zaciskiem S3 i S2 jest napięcie stałe 24 V DC. Jednak w przypadku S3 i S1, zaciski te NIE są izolowane elektrycznie przez transformator ani inne urządzenie.

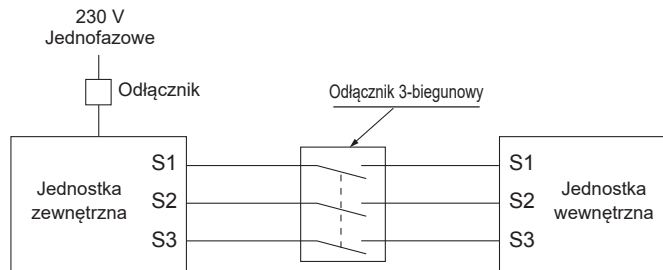
**Uwagi:** 1. Średnica przewodów musi być zgodna z odpowiednimi przepisami lokalnymi i krajowymi.

2. Kable zasilające i kable przyłączeniowe jednostki wewnętrznej/zewnętrznej nie mogą być niższej jakości od przewodu elastycznego w powłoce polichloroprenowej (zgodnie z normą 60245 IEC 57).

3. Zamocować przewód uziemienia o długości większej niż pozostałe przewody.

4. Do podłączania zasilania używać wyłącznie kabli samogasnących.

5. Zwracać uwagę na prawidłowe poprowadzenie przewodów — nie mogą stykać się z krawędziami blachy ani końcówkami śrub.



### ⚠️ OSTRZEŻENIE:

Zacisk S3 jest pod wysokim napięciem powodowanym konstrukcją obwodu elektrycznego, w którym brak izolacji elektrycznej pomiędzy linią energetyczną a linią zasilającą. Z tego powodu należy na czas serwisowania odłączyć główne zasilanie. Nie należy dotykać zacisków S1, S2, S3, kiedy zasilanie znajduje się pod napięciem. Jeśli między jednostką wewnętrzną a jednostką zewnętrzną konieczne jest zastosowanie odłącznika, należy zastosować odłącznik 3-biegunowy.

Nigdy nie łączć ze sobą (przez splatanie) przewodu zasilającego ani przewodu łączącego jednostkę zewnętrzną z wewnętrzną, ponieważ może to spowodować powstanie dymu, ognia lub błędu komunikacji.

Kable połączeniowe między jednostką wewnętrzną i zewnętrzną należy łączyć bezpośrednio z tymi jednostkami (bez połączeń pośrednich). Połączenia pośrednie mogą prowadzić do błędów w komunikacji w przypadku przedostania się wody do kabli i pogorszenia stanu izolacji lub nieprawidłowego styku elektrycznego w punkcie połączenia pośredniego.

## 7. Konserwacja

### 7.1. Uzupelnianie gazu (Fig. 7-1)

1. Podłączyć butlę z gazem do otworu serwisowego zaworu odcinającego (3-drogowy).
2. Wykonać przedmuch rury (lub węży) z butli z gazem chłodniczym.
3. Uzupelnić określoną ilość czynnika chłodniczego, uruchamiając pompę ciepła typu powietrze/woda w trybie chłodzenia.

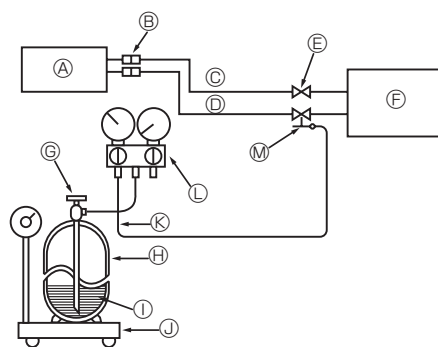
**Uwaga:**

W przypadku dodawania czynnika chłodniczego należy zastosować ilość określoną dla obiegu chłodniczego.

### ⚠️ PRZESTROGA:

- Czynnika chłodniczego nie wolno wypuszczać do atmosfery. Należy uważać, aby nie wypuszczać czynnika chłodniczego do atmosfery podczas instalacji, ponownej instalacji lub napraw obiegu czynnika chłodniczego.
- W przypadku dodatkowego uzupelniania należy uzupelnić płynny czynnik chłodniczy z butli z gazem. Jeśli czynnik chłodniczy byłby uzupelniany w formie gazowej, może dojść do zmiany formy czynnika wewnątrz butli i jednostki zewnętrznej. W takim przypadku możliwości obiegu chłodniczego spadną, a normalne działanie może okazać się niemożliwe. Jednak całkowite jednorazowe uzupelnienie płynnego czynnika chłodniczego może spowodować zablokowanie sprężarki. Z tego powodu czynnik chłodniczy należy uzupelniać powoli.

Aby utrzymać wysokie ciśnienie butli z gazem, w zimie należy ogrzewać butlę ciepłą wodą (poniżej 40°C). Nie należy robić tego za pomocą otwartego ognia ani pary.



- |   |   |
|---|---|
| (A) Jednostka wewnętrzna                        | (H) Butla z czynnikiem chłodniczym R32 z syfonem    |
| (B) Złączka                                     | (I) Czynniki chłodniczy (płynny)                    |
| (C) Rura cieczowa                               | (J) Elektroniczna waga do uzupelniania czynnika     |
| (D) Rura gazowa                                 | (K) Wąż do uzupelniania czynnika (dla czynnika R32) |
| (E) Zawór odcinający                            | (L) Zawór pomiarowy (dla czynnika R32)              |
| (F) Jednostka zewnętrzna                        | (M) Otwór serwisowy                                 |
| (G) Zawór obsługowy butli czynnika chłodniczego |   |

Fig. 7-1

## 8. Przewody wodne

### 8.1. Minimalna ilość wody

Patrz instrukcja instalacji jednostki wewnętrznej.

### 8.2. Dostępny zakres (natężenie przepływu wody, temp. wody powrotnej)

Zapewnić następujące natężenie przepływu wody i zakres temperatury powrotu w obiegu wody.

Te krzywe są związane z ilością wody.

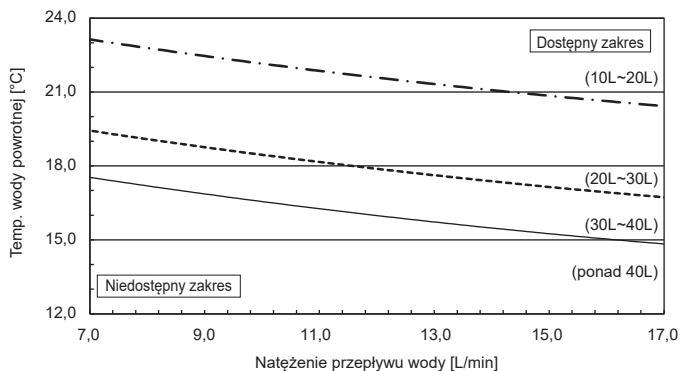
#### ■ Ogrzewanie

SUZ-SWM30VA SUZ-SHWM30VAH

SUZ-SWM40VA2 SUZ-SHWM40VAH

SUZ-SWM60VA2

Minimalna temperatura wody powrotnej wynikająca z ilości wody w układzie

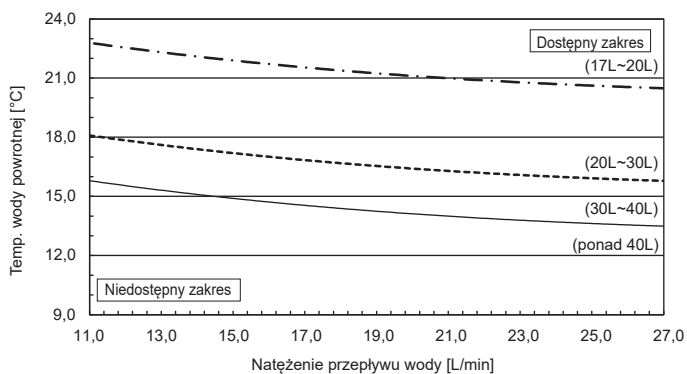


SUZ-SWM80VA(H)2

SUZ-SWM100VA(H)

SUZ-SHWM60VAH

Minimalna temperatura wody powrotnej wynikająca z ilości wody w układzie



#### Uwaga:

- Należy unikać niedostępnego zakresu podczas odszraniania.

W przeciwnym razie jednostka zewnętrzna nie zostanie dostatecznie odszroniona i/lub wymiennik ciepła jednostki wewnętrznej może zamarzać.

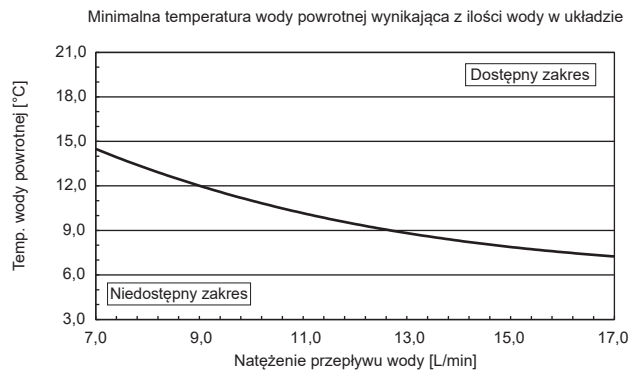
- Kiedy temperatura na zewnątrz spadnie poniżej  $-15^{\circ}\text{C}$ , temperatura zasilania nigdy NIE MOŻE być niższa niż  $32^{\circ}\text{C}$ .

Potencjalne ryzyko zamarznięcia i uszkodzenia płytowego wymiennika ciepła oraz oszronienia zewnętrznego wymiennika ciepła z powodu niedostatecznego odszraniania.

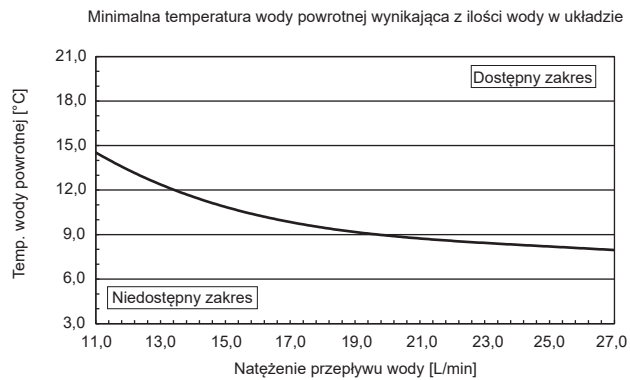
## 8. Przewody wodne

### ■ Chłodzenie

SUZ-SWM30VA    SUZ-SHWM30VAH  
SUZ-SWM40VA2    SUZ-SHWM40VAH  
SUZ-SWM60VA2



SUZ-SWM80VA(H)2  
SUZ-SWM100VA(H)  
SUZ-SHWM60VAH



#### Uwaga:

Należy unikać niedostępnego zakresu podczas odszraniania.

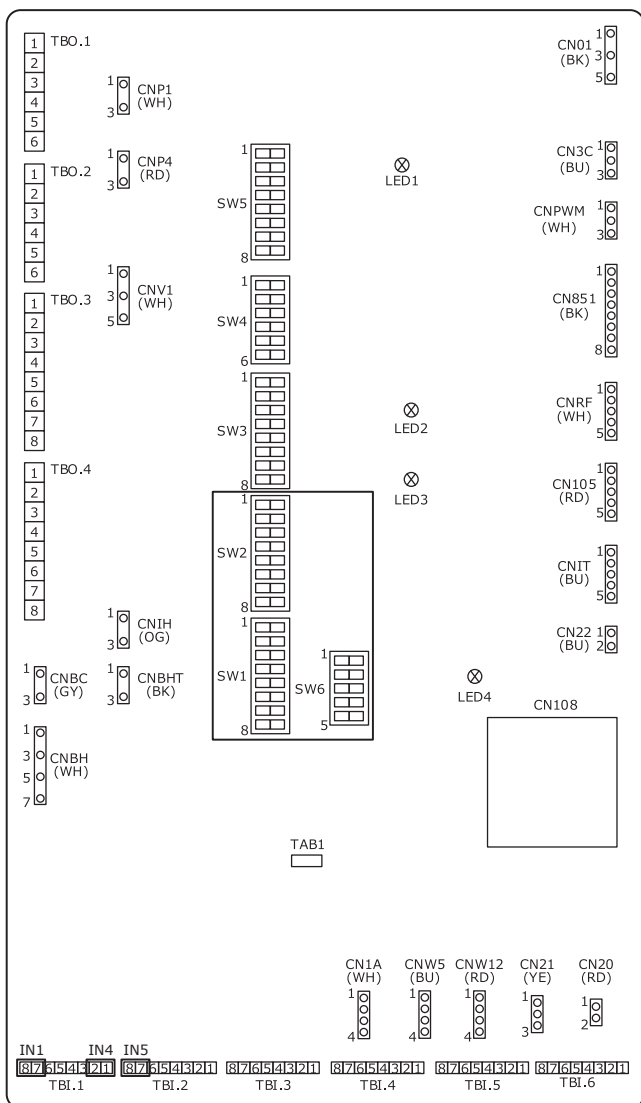
W przeciwnym razie jednostka zewnętrzna nie zostanie dostatecznie odszroniona i/lub wymiennik ciepła jednostki wewnętrznej może zamarzać.



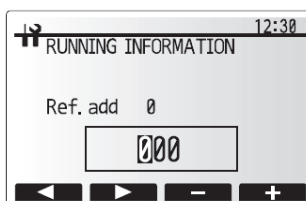
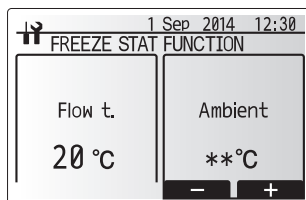
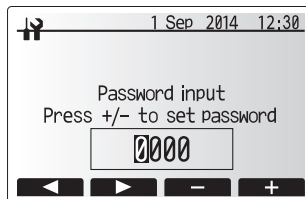
## 9. Odpompowywanie

Podczas zmiany miejsca instalacji lub utylizacji jednostki zewnętrznej należy odpompować zawartość układu zgodnie z poniższym opisem, tak aby czynnik chłodniczy nie został wypuszczony do atmosfery.

- ① WYŁĄCZYĆ cały obwód zasilający (włącznie z jednostką wewnętrzną, nagrzewnicą, jednostką zewnętrzną itp.)
- ② Podłączyć zawór pomiarowy do otworu serwisowego zaworu odcinającego po stronie rury gazowej jednostki zewnętrznej.
- ③ Całkowicie zamknąć zawór odcinający po stronie rury cieczowej jednostki zewnętrznej.
- ④ Zmienić ustawienia jednostki wewnętrznej.
  - Na wewnętrznej tablicy sterowniczej ustawić przełącznik DIP SW1-3 w pozycji OFF, przełącznik SW2-1 w pozycji OFF, przełącznik SW2-4 w pozycji ON, a przełącznik SW6-3 w pozycji OFF.
  - Odłączyć wejścia sygnału IN1 (wejście 1 termostatu pokojowego), IN4 (wejście sterowania zapotrzebowaniem) i IN5 (wejście termostatu zewnętrznego).



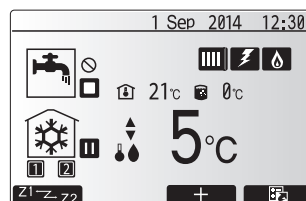
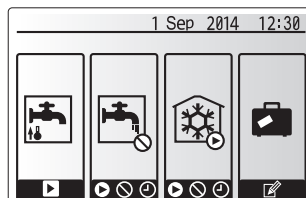
- ⑦ W menu głównym wybrać „Serwis” i zmienić ustawienie w poniższy sposób. Wymagane będzie podanie hasła. Domyślne hasło to „0000”.
  - Wybrać „Ustawienia działania” → „Funkcja Freeze stat”, a następnie ustawić minimalną zewnętrzną temperaturę otoczenia na \* (gwiazdkę).
  - Wybrać „Informacje dot. pracy”, po czym ustawić adres odniesienia na 351.



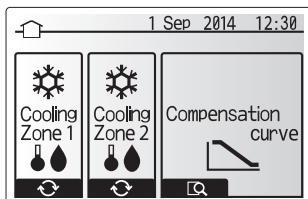
- ⑧ Przeprowadzić operację gromadzenia czynnika chłodniczego.
  - Nacisnąć przycisk „ON/OFF” głównego sterownika.
  - W menu opcji ustawić „Chłodzenie ON”.
  - Ustawić docelową temperaturę strumienia na 5 °C. Jeśli system jest sterowany termostatem pokojowym, wartość temperatury w pomieszczeniu należy ustawić na 10 °C.

Odpompowanie czynnika chłodniczego rozpocznie się po 60 sekundach.

  - Szczegółowe informacje lub inne informacje na temat ustawień sterownika głównego znajdują się w instrukcji montażu lub instrukcji obsługi jednostki wewnętrznej.



- ⑤ Włączyć cały obwód zasilający.
- ⑥ W głównym menu głównego sterownika jednostki wewnętrznej wybrać „Tryb grzania/chłodzenia” → „Temp. strumienia chłodzenia”.



Ciąg dalszy na następnej stronie.

## 9. Odpompowywanie

- ⑨ Gdy manometr wskaże od 0,05 do 0 MPa (od ok. 0,5 do 0 kgf/cm<sup>2</sup>) całkowicie zamknąć zawór odcinający rury z gazem od strony jednostki zewnętrznej i szybko wyłączyć jednostkę zewnętrzną.
- Nacisnąć przycisk „ON/OFF” na pilocie zdalnego sterowania, aby wyłączyć jednostkę zewnętrzną.
  - \* Należy pamiętać, że w przypadku bardzo długich rur przedłużających i dużej ilości czynnika chłodniczego przeprowadzenie operacji opróżniania może być niemożliwe. W takim przypadku należy zastosować urządzenie do odzyskiwania czynnika chłodniczego z układu.
- ⑩ Przywrócić ustawienie sterownika głównego zmienione w kroku ⑨ powyżej.
- ⑪ Aby wyłączyć jednostkę, na sterowniku głównym jednostki wewnętrznej należy nacisnąć i przytrzymać przycisk „ON/OFF” przez około 3 sekundy.
- ⑫ Przywrócić ustawienia sterownika głównego zmienione we wszystkich krokach oprócz tych, które zostały zmienione w kroku ⑨.
- \* Jak ponownie ustawić „Informacje dot. pracy”: ustawić adres odniesienia na 350.
- ⑬ Wyłączyć wszelkie obwody zasilające i przywrócić ustawienia przełącznika DIP na wewnętrznej płytce drukowanej do poprzednich wartości.
- ⑭ Usunąć zawór pomiarowy, a następnie odłączyć rury czynnika chłodniczego.



### OSTRZEŻENIE:

W przypadku nieuszczelnienia obiegu chłodzącego, NIE wolno przeprowadzać odpompowywania za pomocą sprężarki.  
Podczas odsysania czynnika chłodniczego należy przed odłączeniem przewodów czynnika chłodniczego wyłączyć sprężarkę.

- Jeśli rury zostaną odłączone podczas pracy sprężarki, a zawór odcinający (zawór kulowy) będzie otwarty, ciśnienie w obiegu chłodniczym może znacznie wzrosnąć w wyniku zasysania powietrza i spowodować pęknięcie rur, obrażenia ciała itp.



### PRZESTROGA:

NIE wolno używać trybu CHŁODZENIA w przypadku podłączania jednostki wewnętrznej, która nie zezwala na stosowanie trybu CHŁODZENIA do celów innych niż odpompowywanie.

## 10. Dane techniczne

Model jednostki zewnętrznej		SUZ-SWM30VA	SUZ-SHWM30VAH	SUZ-SWM40VA2	SUZ-SHWM40VAH	SUZ-SWM60VA2
Zasilanie	V / faza / Hz	230 / jednofazowe / 50				
Wymiary (szer. × wys. × głęb.)	mm	800 × 714 × 285				
Poziom mocy akustycznej (grzanie)	*1 dB(A)	57	57	57	58	60
	*2 dB(A)	54	54	54	55	56

Model jednostki zewnętrznej		SUZ-SHWM60VAH	SUZ-SWM80VA(H)2	SUZ-SWM100VA(H)
Zasilanie	V / faza / Hz	230 / jednofazowe / 50		
Wymiary (szer. × wys. × głęb.)	mm	840 × 880 × 330		
Poziom mocy akustycznej (grzanie)	*1 dB(A)	60	60	62
	*2 dB(A)	58	59	60

\*1. Pomiar przeprowadzony przy znamionowej częstotliwości roboczej w temperaturze otoczenia 7°C DB/6°C WB i wody na wylocie 55°C

\*2. Pomiar przeprowadzony zgodnie z normą EN12102 w warunkach określonych w normie EN14825

EU DECLARATION OF CONFORMITY  
EU-KONFORMITÄTSEKTLÄRUNG  
DÉCLARATION DE CONFORMITÉ UE  
EU-CONFORMITEITSVERKLARING  
DECLARACIÓN DE CONFORMIDAD UE  
DICHIARAZIONE DI CONFORMITÀ UE  
ΔΗΛΩΣΗ ΣΥΜΜΟΡΦΩΣΗΣ ΕΕ  
DECLARAÇÃO DE CONFORMIDADE UE  
EU-OVERENSSTEMMELSESEKTLÆRING

EG-DEKLARATION OM ÖVERENSSTÄMMELSE  
AV UYGUNLUK BEYAN  
ДЕКЛАРАЦИЯ СООТВЕТСТВИЯ НОРМАМ ЕС  
ДЕКЛАРАЦІЯ ВІДПОВІДНОСТІ ВИМОГАМ ЄС  
ЕС ДЕКЛАРАЦІЯ ЗА СЪОТВЕТСТВИЕ  
DEKLARACJA ZGODNOŚCI UE  
EU-ERKLÆRING OM SAMSVAR  
EU-VAATIMUSTENMUKAISUUSVAKUUTUS  
EU PROHLÁŠENÍ O SHODĚ

EÚ VYHLÁŠENIE O ZHODE  
EU MEGFELELŐSÉGI NYILATKOZAT  
IZJAVA EU O SKLADNOSTI  
DECLARAȚIE DE CONFORMITATE UE  
EL-I VASTAVUSDEKLARATSIOON  
ES ATBILSTĪBAS DEKLARĀCIJA  
ES ATITIKTIES DEKLARĀCIJA  
EU IZJAVA O SUKLADNOSTI  
EU IZJAVA O USAGLAŠENOSTI

**MITSUBISHI ELECTRIC CONSUMER PRODUCTS (THAILAND) CO., LTD**  
**700/406 MOO 7, TAMBON DON HUA ROH, AMPHUR MUANG, CHONBURI 20000, THAILAND**

hereby declares under its sole responsibility that the air conditioner(s) and heat pump(s) for use in residential, commercial, and light-industrial environments described below:  
erklärt hiermit auf seine alleinige Verantwortung, dass die Klimaanlage(n) und Wärmepumpe(n) für das häusliche, kommerzielle und leichtindustrielle Umfeld wie unten beschrieben:  
déclare par la présente et sous sa propre responsabilité que le(s) climatiseur(s) et la/les pompe(s) à chaleur destinés à un usage dans des environnements résidentiels, commerciaux et d'industrie légère décrits ci-dessous :  
verklaart hierbij onder eigen verantwoordelijkheid dat de voor huishoudelijke, handels- en lichtindustriële omgevingen bestemde airconditioner(s) en warmtepomp(en) zoals onderstaand beschreven:

por la presente declara, bajo su exclusiva responsabilidad, que el(los) acondicionador(es) de aire y la(s) bomba(s) de calor previsto(s) para su uso en entornos residenciales, comerciales y de industria ligera que se describen a continuación:

conferma con la presente, sotto la sua esclusiva responsabilità, che i condizionatori d'aria e le pompe di calore destinati all'utilizzo in ambienti residenziali, commerciali e semi-industriali e descritti di seguito:

με το παρόν δηλώνει με αποκλειστική ευθύνη ότι το ή τα κλιματιστικά και η ή οι αντλίες θερμότητας για χρήση σε οικιακά, εμπορικά και επαγγελματικά περιβάλλοντα που περιγράφονται παρακάτω:

declara pela presente, e sob sua exclusiva responsabilidade, que o(s) aparelho(s) de ar condicionado e a(s) bomba(s) de calor destinados a utilização em ambientes residenciais, comerciais e de indústria ligeira descritos em seguida:

erklærer hermed under eneansvar, at det/de herunder beskrevne airconditionanlæg og varmepumpe(r) til brug i beboelses- og erhvervs miljøer samt i miljøer med let industri:

intyggar härmed att luftkonditioneringarna och värmepumparna som beskrivs nedan för användning i bostäder, kommersiella miljöer och lätta industriella miljöer:

ev, ticaret ve hafif sanayi ortamlarında kullanıma yönelik aşağıda açıklanan klima ve ısıtma pompalarıyla ilgili aşağıdaki hususları yalnızca kendi sorumluluğunda olmak üzere beyan eder:

настоящим заявляет под свою исключительную ответственность, что кондиционер (-ы) и тепловой (-ые) насос (-ы) для использования в описанных ниже жилых, коммерческих и небольших складских и промышленных помещениях:

цим заявляю, беручи на себе повну відповідальність за це, що кондиціонер (-и) й тепловий (-и) насос (-и), описані нижче й призначені для використання в житлових приміщеннях, торговельних залах і на підприємствах легкої промисловості:

декларира с настоящата на своя собствена отговорност, че климатикъ(т)е и термомпата(ите), посочени по-долу и предназначени за употреба в жилищни, търговски и лекопромишлени среди:

niniejszym oświadczam na swoją wyłączną odpowiedzialność, że klimatyzatory i pompy ciepła do zastosowań w środowisku mieszkalnym, handlowym i lekko przemysłowym opisane poniżej:

erklærer et fullstendig ansvar for undernevnte klimaapparat og varmepumper ved bruk i boliger, samt kommersielle og lettindustrielle miljøer:

vakuuttaa täten yksinomaista vastuutaan, että jäljempänä kuvutat asuinrakennuksiin, pienteollisuuskäyttöön ja kaupalliseen käyttöön tarkoitettuihin ilmastointilaitteisiin ja lämpöpumpuihin:

tímto na vlastní odpovědnost prohlašuje, že níže popsané klimatizační jednotky a tepelná čerpadla pro použití v obytných prostředích, komerčních prostředích a prostředích lehkého průmyslu:

týmto na svoju výlučnú zodpovednosť vyhlasuje, že nasledovné klimatizačné jednotky a tepelné čerpadlá určené na používanie v obytných a obchodných priestoroch a v prostredí ľahkého priemyslu:

alulírott kizárólagos felelősségére nyilatkozik, hogy az alábbi lakossági, kereskedelmi és kisipari környezetben való használatra szánt klímaberendezés(ek) és hőszivattyú(k):

na lastno odgovornost izjavlja, da so spodaj opisane klimatske naprave in toplotne črpalke, namenjene za uporabo v stanovanjskih, poslovnih in lahkoindustrijskih okoljih:

declară prin prezenta, pe proprie răspundere, faptul că aparatele de climatizare și pompele de căldură descrise mai jos și destinate utilizării în medii rezidențiale, comerciale și din industria ușoară:

kinnitab oma ainuvastutusest, et allpool toodud elu-, äri- ja kergtööstuskeskkondades kasutamiseks mõeldud kliimaseadmed ja soojuspumbad:

ar šo, vienpersoniski uzņemoties atbildību, paziņo, ka tālāk aprakstītais(-tie) gaisa kondicionētājs(-i) un siltumsūkņis(-i) ir paredzēti lietošanai dzīvojamajās, komercdarbības un vieglās rūpniecības telpās, kas aprakstītas tālāk:

šiuo vien tik savo atsakomybe pareiškia, kad toliau apibūdintas (-i) oro kondicionierius (-iai) ir šilumos siurblys (-iai), skirtas (-i) naudoti toliau apibūdintose gyvenamosiose, komercinėse ir lengvosios pramonės aplinkose:

ovime izjavljuje pod isključivom odgovornošću da je/su klimatizacijski uređaji(i) i toplinska dizalica(e) opisan(i) u nastavku namijenjen(i) za upotrebu u stambenim i poslovnim okruženjima te okruženjima lake industrije:

ovim izjavljuje na svoju isključivu odgovornost da su klima-uređaji i toplotne pumpe za upotrebu u stambenim, komercijalnim okruženjima i okruženjima lake industrije opisani u nastavku:

**MITSUBISHI ELECTRIC, SUZ-SWM30VA\*, SUZ-SWM40VA\*, SUZ-SWM60VA\*, SUZ-SWM80VA\*, SUZ-SWM100VA\***  
**SUZ-SHWM30VAH\*, SUZ-SHWM40VAH\*, SUZ-SHWM60VAH\*, SUZ-SWM80VAH\*, SUZ-SWM100VAH\***  
**\* : , , 1, 2, 3, , , , 9**

is/are in conformity with provisions of the following Union harmonisation legislation.  
die Bestimmungen der folgenden Harmonisierungsrechtsvorschriften der Union erfüllen/

erfüllen.  
est/sont conforme(s) aux dispositions de la législation d'harmonisation de l'Union

suivante.  
voldoet/voldoen aan bepalingen van de volgende harmonisatiewetgeving van de Unie.

cumple(n) con las disposiciones de la siguiente legislación de armonización de la Unión.

sono in conformità con le disposizioni della seguente normativa dell'Unione sull'armonizzazione.

συμμορφώνονται με τις διατάξεις της ακόλουθης νομοθεσίας εναρμόνισης της Ένωσης.

está/estão em conformidade com as disposições da seguinte legislação de harmonização da União.

er i overensstemmelse med bestemmelse(r) i følgende harmoniserede EU-lovgivning.

uppfyller villkoren i följande harmoniserade föreskrifter inom unionen.

აşağıdaki Avrupa Birliği uyumlaştırma mevzuatının hükümlerine uygundur.

соответствуют положениям следующих законодательных актов Союза о гармонизации.

2014/35/EU: Low Voltage Directive  
2006/42/EC: Machinery Directive  
2014/30/EU: Electromagnetic Compatibility Directive  
2011/65/EU, (EU) 2015/863 and (EU) 2017/2102: RoHS Directive  
2009/125/EC: Energy-related Products Directive and Regulation (EU) No 813/2013

відповідають положенням вказаного далі законодавства Союзу щодо гармонізації.  
е/са в соответствии с разпредбите на следното законодателство на Съюза за

хармонизация.  
są zgodne z przepisami następującego unijnego prawodawstwa harmonizacyjnego.

er i samsvar med forskriftene til følgende EU-lovgivning om harmonisering.

ovat seuraavan unionin yhdenmukaistamislainsäädännön säännösten mukaisia.

jsou v souladu s ustanoveními následujících harmonizačních právních předpisů Unie.

spĺňajú ustanovenia nasledujúcich harmonizovaných noriem EÚ.

megfelel(nek) az Unió alábbi harmonizációs jogszabályi előírásainak.

in skladu z določbami naslednje usklajevalne zakonodaje Unije.

sunt în conformitate cu dispozițiile următoare legislații de armonizare a Uniunii.

vastavad järgmiste Euroopa Liidu ühtlustatud õigusaktide sätetele.

atbilst šādiem ES harmonizētājiem tiesību aktu noteikumiem.

taip pat atitinka kitų toliau išvardytų suderintųjų Sąjungos direktyvų nuostatas.

sukladan(i) odredbama sljedećeg zakonodavstva Unije za sukladnost.

u skladu sa odredbama sledećeg usklađivanja zakonodavstva Unije.

## <ENGLISH>

English is original. The other languages versions are translation of the original.

### ▲ CAUTION

- Refrigerant leakage may cause suffocation. Provide ventilation in accordance with EN378-1.
- Be sure to wrap insulation around the piping. Direct contact with the bare piping may result in burns or frostbite.
- Never put batteries in your mouth for any reason to avoid accidental ingestion.
- Battery ingestion may cause choking and/or poisoning.
- Install the unit on a rigid structure to prevent excessive operation sound or vibration.
- The A-weighted sound pressure level is below 70dB.
- This appliance is intended to be used by expert or trained users in shops, in light industry and on farms, or for commercial use by lay persons.

## <DEUTSCH>

Das Original ist in Englisch. Die anderen Sprachversionen sind vom Original übersetzt.

### ▲ VORSICHT

- Wenn Kältemittel austritt, kann dies zu Ersticken führen. Sorgen Sie in Übereinstimmung mit EN378-1 für Durchlüftung.
- Die Leitungen müssen isoliert werden. Direkter Kontakt mit nicht isolierten Leitungen kann zu Verbrennungen oder Erfrierungen führen.
- Nehmen Sie niemals Batterien in den Mund, um ein versehentliches Verschlucken zu vermeiden.
- Durch das Verschlucken von Batterien kann es zu Erstickungen und/oder Vergiftungen kommen.
- Installieren Sie das Gerät auf einem stabilen Untergrund, um übermäßige Betriebsgeräusche oder -schwingungen zu vermeiden.
- Der A-gewichtete Schalldruckpegel ist niedriger als 70dB.
- Dieses Gerät ist vorgesehen für die Nutzung durch Fachleute oder geschultes Personal in Werkstätten, in der Leichtindustrie und in landwirtschaftlichen Betrieben oder für die kommerzielle Nutzung durch Laien.

## <FRANÇAIS>

L'anglais est l'original. Les versions fournies dans d'autres langues sont des traductions de l'original.

### ▲ PRECAUTION

- Une fuite de réfrigérant peut entraîner une asphyxie. Fournissez une ventilation adéquate en accord avec la norme EN378-1.
- Assurez-vous que la tuyauterie est enveloppée d'isolant. Un contact direct avec la tuyauterie nue peut entraîner des brûlures ou des engelures.
- Ne mettez jamais des piles dans la bouche pour quelque raison que ce soit pour éviter de les avaler par accident.
- Le fait d'ingérer des piles peut entraîner un étouffement et/ou un empoisonnement.
- Installez l'appareil sur une structure rigide pour prévenir un bruit de fonctionnement et une vibration excessifs.
- Le niveau de pression acoustique pondéré est en dessous de 70 dB.
- Cet appareil est conçu pour un utilisateur expert ou les utilisateurs formés en magasin, dans l'industrie légère et dans l'agriculture ou dans le commerce par le profane.

## <NEDERLANDS>

Het Engels is het origineel. De andere taalversies zijn vertalingen van het origineel.

### ▲ VOORZICHTIG

- Het lekken van koelvloeistof kan verstikking veroorzaken. Zorg voor ventilatie in overeenstemming met EN378-1.
- Isoleer de leidingen met isolatiemateriaal. Direct contact met de onbedekte leidingen kan leiden tot brandwonden of bevriezing.
- Stop nooit batterijen in uw mond om inslikking te voorkomen.
- Het inslikken van batterijen kan verstikking of vergiftiging veroorzaken.
- Installeer het apparaat op een stabiele structuur om overmatig lawaai of trillingen te voorkomen.
- Het niveau van de geluidsdruk ligt onder 70 dB(A).
- Dit apparaat is bedoeld voor gebruik door ervaren of opgeleide gebruikers in werkplaatsen, in de lichte industrie en op boerderijen, of voor commercieel gebruik door leken.

## <ESPAÑOL>

El idioma original del documento es el inglés. Las versiones en los demás idiomas son traducciones del original.

### ▲ CUIDADO

- Las pérdidas de refrigerante pueden causar asfixia. Se debe proporcionar la ventilación determinada en EN378-1.
- Asegúrese de colocar el aislante alrededor de las tuberías. El contacto directo con la tubería puede ocasionar quemaduras o congelación.
- Para evitar una ingestión accidental, no coloque las pilas en su boca bajo ningún concepto.
- La ingestión de las pilas puede causar asfixia y/o envenenamiento.
- Coloque la unidad en una estructura rígida para evitar que se produzcan sonidos o vibraciones excesivos debidos a su funcionamiento.
- El nivel de presión acústica ponderado A es inferior a 70 dB.
- Este aparato está destinado a su uso por parte de usuarios expertos o capacitados en talleres, industrias ligeras y granjas, o a su uso comercial por parte de personas no expertas.

## <ITALIANO>

Il testo originale è redatto in lingua Inglese. Le altre versioni linguistiche rappresentano traduzioni dell'originale.

### ▲ ATTENZIONE

- Le perdite di refrigerante possono causare asfissia. Prevedere una ventilazione adeguata in conformità con la norma EN378-1.
- Accertarsi di applicare materiale isolante intorno alle tubature. Il contatto diretto con le tubature non schermate può provocare ustioni o congelamento.
- Non introdurre in nessun caso le batterie in bocca onde evitare ingestioni accidentali.
- L'ingestione delle batterie può provocare soffocamento e/o avvelenamento.
- Installare l'unità su una struttura rigida in modo da evitare rumore o vibrazioni eccessivi durante il funzionamento.
- Il livello di pressione del suono ponderato A è inferiore a 70dB.
- Questa apparecchiatura è destinata all'utilizzo da parte di utenti esperti o addestrati in negozi, industria leggera o fattorie oppure a un uso commerciale da parte di persone non esperte.

## <ΕΛΛΗΝΙΚΑ>

Η γλώσσα του πρωτοτύπου είναι η αγγλική. Οι εκδόσεις άλλων γλωσσών είναι μεταφράσεις του πρωτοτύπου.

### ▲ ΠΡΟΣΟΧΗ

- Η διαρροή του ψυκτικού ενδέχεται να προκαλέσει ασφυξία. Φροντίστε για τον εξαερισμό σύμφωνα με το πρότυπο EN378-1.
- Φροντίστε να τυλίξετε με μονωτικό υλικό τη σωλήνωση. Η απευθείας επαφή με τη γυμνή σωλήνωση ενδέχεται να προκαλέσει εγκαύματα ή κρυοπαγήματα.
- Μη βάζετε ποτέ τις μπαταρίες στο στόμα σας για κανένα λόγο ώστε να αποφύγετε την κατά λάθος κατάποσή τους.
- Η κατάποση μπαταριών μπορεί να προκαλέσει πνιγμό ή/και δηλητηρίαση.
- Εγκαταστήστε τη μονάδα σε σταθερή κατασκευή ώστε να αποφύγετε τον έντονο ήχο λειτουργίας ή τους κραδασμούς.
- Η Α-σταθμισμένη στάθμη ηχητικής πίεσης είναι κάτω των 70dB.
- Η Α-σταθμισμένη στάθμη ηχητικής πίεσης είναι κάτω των 70dB.
- Η συσκευή αυτή προορίζεται για χρήση από εμπειρογούς ή εκπαιδευμένους χρήστες σε καταστήματα, στην ελαφριά βιομηχανία και σε αγροκτήματα, ή για εμπορική χρήση από άτομα τα οποία δεν είναι ειδήμονες.

## <PORTUGUÊS>

O idioma original é o inglês. As versões em outros idiomas são traduções do idioma original.

### ▲ CUIDADO

- A fuga de refrigerante pode causar asfixia. Garanta a ventilação em conformidade com a norma EN378-1.
- Certifique-se de que envolva as tubagens com material de isolamento. O contacto directo com tubagens não isoladas pode resultar em queimaduras ou ulcerações provocadas pelo frio.
- Nunca coloque pilhas na boca, por nenhum motivo, para evitar a ingestão accidental.
- A ingestão de uma pilha pode causar obstrução das vias respiratórias e/ou envenenamento.
- Instale a unidade numa estrutura robusta, de forma a evitar ruídos ou vibrações excessivos durante o funcionamento.
- O nível de pressão sonora ponderado A é inferior a 70 dB.
- Este equipamento destina-se a ser utilizado por especialistas ou utilizadores com formação em lojas, na indústria ligeira e em quintas, ou para utilização comercial por leigos.

## <DANSK>

Engels er originalen. De andre sprogversioner er oversættelser af originalen.

### ▲ FORSIGTIG

- Lækage af kølemiddel kan forårsage kvælning. Sørg for udluftning i overensstemmelse med EN378-1.
- Sørg for at pakke rørene ind i isolering. Direkte kontakt med ubeklædte rør kan forårsage forbrændinger eller forfrysninger.
- Batterier må under ingen omstændigheder tages i munden for at forhindre utilsigtet indtagelse.
- Indtagelse af batterier kan forårsage kvælning og/eller forgiftning.
- Installer enheden på en fast struktur for at forhindre for høje driftslyde eller vibrationer.
- Det A-vægtede lydtrykniveau er under 70dB.
- Dette apparat er beregnet til at blive brugt af eksperter eller udlærte brugere i butikker, inden for let industri og på gårde eller til kommerciel anvendelse af lægmænd.

## <SVENSKA>

Engelska är originalspråket. De övriga språkversionerna är översättningar av originalet.

### ▲ FÖRSIKTIGHET

- Köldmedelsläckage kan leda till kvävning. Tillhandahåll ventilation i enlighet med EN378-1.
- Kom ihåg att linda isolering runt rören. Direktkontakt med bara rör kan leda till brännskador eller köldskador.
- Stoppa aldrig batterier i munnen, de kan sväljas av misstag.
- Om ett batteri sväljs kan det leda till kvävning och/eller förgiftning.
- Montera enheten på ett stadigt underlag för att förhindra höga driftljud och vibrationer.
- Den A-vägdade ljudtrycksnivån är under 70dB.
- Denna apparat är ämnad för användning av experter eller utbildade användare i affärer, inom lätt industri och på lanbruk, eller för kommersiell användning av lekmän.

## <TÜRKÇE>

Aslı İngilizce'dir. Diğer dillerdeki sürümler aslının çevirisidir.

### ▲ DİKKAT

- Soğutucu kaçağı boğulmaya neden olabilir. EN378-1 uyarınca uygun havalandırma sağlayın.
- Borular etrafına yalıtım yapıldığından emin olun. Borulara doğrudan çıplak elle dokunulması yanıklara veya soğuk ısırıklarına neden olabilir.
- Kazara yutmamak için, pilleri kesinlikle hiçbir amaçla ağzınızda tutmayın.
- Pillerin yutulması boğulmaya ve/veya zehirlenmeye yol açabilir.
- Aşırı çalıma seslerini veya titreşimi önlemek için, üniteyi sağlam bir yapı üzerine monte edin.
- A ağırıklı ses gücü seviyesi 70dB'nin altındadır.
- Bu cihaz tölöyelerde, hafif endüstriyel tesislerde ve çiftliklerde uzman veya eğitimli kullanıcılar tarafından kullanılmak üzere veya normal kullanıcılar tarafından ticari kullanım için tasarlanmıştır.

## <РУССКИЙ>

Языком оригинала является английский. Версии на других языках являются переводом оригинала.

### ▲ ОСТОРОЖНО

- Утечка хладагента может стать причиной удушья. Обеспечьте вентиляцию в соответствии с EN378-1.
- Обязательно оберните трубы изоляционным материалом. Непосредственный контакт с неизолированным трубопроводом может привести к ожогам или обморожению.
- Запрещается класть элементы питания в рот по каким бы то ни было причинам во избежание случайного проглатывания.
- Попадание элемента питания в пищеварительную систему может стать причиной удушья и/или отравления.
- Устанавливайте устройство на жесткую структуру во избежание чрезмерного шума или чрезмерной вибрации во время работы.
- Уровень звукового давления по шкале A не превышает 70 дБ.
- Данное устройство предназначено для использования специалистами или обученным персоналом в магазинах, на предприятиях легкой промышленности и фермах или для коммерческого применения неспециалистами.

## <УКРАЇНСЬКА>

Переклад оригіналу. Текст іншими мовами є перекладом оригіналу.

### ▲ ОБЕРЕЖНО

- Виток холодагента може призвести до удушся. Необхідно забезпечити вентиляцію відповідно до стандарту EN 378-1.
- Труби необхідно обмотати ізоляційним матеріалом. Прямий контакт із непокритою трубою може призвести до опіку або обмороження.
- Забороняється класти елементи живлення в рот із будь-яких причин, оскільки є ризик випадково їх проковтнути.
- Попадання елемента живлення в травну систему може стати причиною задхуки та/або отруєння.
- Встановлюйте блок на міцній конструкції, щоб уникнути надмірного рівня звуку роботи або вібрації.
- Рівень амплітудно зваженого акустичного тиску становить нижче 70 дБ.
- Цей прилад призначається для використання спеціалістами або особами, що пройшли відповідне навчання, у кранницях, легкій промисловості та сільськогосподарських підприємствах, а також для комерційного використання неспеціалістами.

## <БЪЛГАРСКИ>

Оригиналът е текстът на английски език. Версиите на други езици са преводи на оригинала.

### ▲ ВНИМАНИЕ

- Изтичането на хладилен агент може да причини задушаване. Осигурете вентилация съобразно с EN378-1.
- Не забравяйте да уветите изолация около тръбите. Директният контакт с оголени тръби може да причини изгаряне или измръзване.
- При никакви обстоятелства не поставяйте батериите в устата си, за да не ги поглънете по невнимание.
- Това може да доведе до задушаване и/или натравяне.
- Монтирайте тялото върху твърда конструкция, за да предотвратите прекомерен шум или вибрации по време на работа.
- А-претегленото ниво на звуково налягане е под 70 dB.
- Този уред е предназначен за използване от експерти или обучени потребители в магазини, в леката промисленост и във ферми, или за търговска употреба от неспециалисти.

## <POLSKI>

Językiem oryginału jest język angielski. Inne wersje językowe stanowią tłumaczenie oryginału.

### ▲ UWAGA

- Wyciek czynnika chłodniczego może spowodować uduszenie. Należy zapewnić wentylację zgodnie z normą EN378-1.
- Należy pamiętać, aby owinąć izolację wokół przewodów rurowych. Bezpośredni kontakt z niezabezpieczonymi przewodami rurowymi może doprowadzić do poparzeń lub odmrożeń.
- Nie wolno wkładać baterii do ust z jakiegokolwiek powodu, aby uniknąć przypadkowego polknięcia.
- Polknięcie baterii może spowodować zadławienie i/lub zatrucie.
- Zainstalować urządzenie na sztywnej konstrukcji, aby zapobiec nadmieremu hałasowi i wibracjom.
- Poziom dźwięku A nie przekracza 70 dB.
- W sklepach, w przemyśle lekkim i w gospodarstwach rolnych urządzenie powinni obsługiwać profesjonalni lub przeszkoleni użytkownicy, a w środowisku handlowym mogą to być osoby nieposiadające fachowej wiedzy.

## <NORSK>

Originalspråket er engelsk. De andre språkversjonene er oversettelser av originalen.

### ▲ FORSIKTIG

- Kjølemiddellekkasje kan forårsake kvelling. Sørg for ventilering i samsvar med EN378-1.
- Pass på at isoleringen pakkes godt rundt røret. Direkte kontakt med ukledte rør kan forårsake brannskader eller forfrysninger.
- Aldri plasser batteri i munnen, da dette kan medføre en risiko for at du svelger batteriet ved et uhell.
- Hvis du svelger et batteri, kan du risikere kvelling og/eller forgiftning.
- Installer enheten på en stabil struktur for å forhindre unødvendig mye driftsstøy eller vibrering.
- Det A-vektede lydtrykknivået er under 70 dB.
- Dette apparatet er ment for bruk av eksperter eller faglært personell i butikker, lettindustri og på gårder, eller for kommersielt bruk av ikke-fagmenn.

## <SUOMI>

Englantia on alkuperäinen. Muut kieliversiot ovat alkuperäiskappaleen käännöksiä.

### ▲ HUOMIO

- Vuotava kylmäaine voi aiheuttaa tukehtumisen. Ilmanvaihdon on oltava EN378-1-standardin mukainen.
- Kääri putken ympärille eristysmateriaalia. Paljaan putken koskettamisesta voi seurata palo- tai paleltumavammoja.
- Älä koskaan laita paristoja suuhun, jotta et vahingossa nielaisisi niitä.
- Paristojen nieleminen voi aiheuttaa tukehtumisen ja/tai myrkytyksen.
- Asenna yksikkö tukeviin rakenteisiin, jotta sen käytöstä ei syntyisi ylimääräistä ääntä tai värinää.
- A-painotettu äänenpainetaso on alle 70 dB.
- Laite on tarkoitettu asiantuntijoiden tai laitteelle koulutuksen saaneiden käyttöön kaupossa, pienteollisuudessa ja maataloilta tai maaliikille kaupalliseen käyttöön.

## <ČEŠTINA>

Originál je v angličtině. Ostatní jazykové verze jsou překladem originálu.

### ▲ POZOR

- Únik chladicího média může způsobit udušení. Zajistěte větrání v souladu s normou EN 378-1.
- Okolo potrubí vždy omotejte izolací. Přímý kontakt s obnaženým potrubím může způsobit popálení nebo omrzliny.
- Nikdy nevkládejte baterie do úst, aby nedošlo k jejich polknutí.
- Polknutí baterie může způsobit zadušení a/nebo otravu.
- Jednotku nainstalujte na pevnou konstrukci, aby nedocházelo ke vzniku nadměrného provozního hluku a vibrací.
- Hladina akustického tlaku A je nižší než 70 dB.
- Toto zařízení je určeno pro prodejny, lehký průmysl a farmy, kde je musí obsluhovat odborníci a školení uživatelé, a pro komerční použití, kde je mohou obsluhovat laici.

## <SLOVENČINA>

Překlad anglického originálu. Všechny jazykové verze jsou přeloženy z angličtiny.

### ▲ UPOZORNENIE

- Únik chladiva môže spôsobiť udusenie. Zabezpečte vetranie podľa normy EN 378-1.
- Nezabudnite potrubie obaliť izoláciou. Priamy kontakt s nezabaleným potrubím môže spôsobiť popálenie alebo omrzliny.
- Batérie si nikdy z akéhokoľvek dôvodu nekladte do úst, aby nedošlo k ich náhodnému požitiu.
- Požitie batérií môže vyvolať dusenie a/alebo otravu.
- Nainštalujte jednotku na pevný konštrukčný prvok, aby ste obmedzili nadmerný prevádzkový hluk a vibrácie.
- Hladina akustického tlaku A je nižšia ako 70 dB.
- Toto zariadenie je určené na používanie odborníkmi alebo zaškolenými používateľmi v komerčných priestoroch, v prostredí ľahkého priemyslu, na farmách, alebo na komerčné použitie bežnými používateľmi.

## <MAGYAR>

Az angol változat az eredeti. A többi nyelvű változat az eredeti fordítása.

### ▲ VIGYÁZAT

- A hűtőközeg szivárgása fulladást okozhat. Gondoskodjon az EN378-1 szabvány elõírásai szerinti szellõzésrõl.
- Feltétlenül szigetelje körbe a csõveket. A csupasz csõ megérintése égési vagy fagyási sérülést okozhat.
- Ne vegyen a szájába elemet semmilyen célból, mert véletlenül lenyelheti!
- A lenyelt elem fulladást és/vagy mérgezést okozhat.
- A készüléket merev szerkezetre szerelje fel, hogy megakadályozza a túlzott üzemi zajt és vibrációt.
- Az A-súlyozott hangnyomás szint 70 dB alatt van.
- A készülék üzemeltetése, a könnyűipar és gazdaságok szakértõ vagy képzett felhasználói, valamint laikus felhasználók általi kereskedelmi használatra készült.

## <SLOVENŠČINA>

Izvirnik je v angleščini. Druge jezikovne različice so prevodi izvirnika.

### ▲ POZOR

- Puščanje hladiva lahko povzroči zadušitev. Zagotovite prezračevanje po standardu EN378-1.
- Cevi ovijte z izolacijo. Neposredni stik z golimi cevmi lahko povzroči opekline ali ozebline.
- Nikoli in iz nobenega razloga ne vstavljajte baterij v usta, da jih po nesreči ne pogoltnete.
- Če baterije pogoltnete, se lahko zadužite in/ali zastрупite.
- Enoto namestite na togo konstrukcijo, da preprečite pretiran zvok ali tresenje med delovanjem.
- A-utežena raven zvočnega tlaka je pod 70 dB.
- Naprava je namenjena za uporabo s strani strokovnih ali ustrezno usposobljenih uporabnikov v trgovinah, lahki industriji in na kmetijah ter za komercialno uporabo s strani nestrokovnih uporabnikov.

## <ROMÂNĂ>

Textul original este în limba engleză. Versiunile pentru celelalte limbi sunt traduceri ale originalului.

### ▲ ATENȚIE

- Scurgerea de agent frigorific poate cauza asfixierea. Asigurați o ventilație corespunzătoare, conform standardului EN378-1.
- Asigurați-vă că înfășurați materialul izolator în jurul conductelor. Contactul direct cu conductele neizolate se poate solda cu arsuri sau degerături.
- Nu introduceți niciodată și pentru niciun motiv bateriile în gură, pentru a evita ingerarea accidentală a acestora.
- Ingerarea bateriilor poate cauza sufocarea și/sau intoxicația.
- Instalați unitatea pe o structură rigidă pentru a preveni producerea unui nivel excesiv de sunete sau vibrații.
- Nivelul de presiune acustică ponderată în A este mai mic de 70 dB.
- Acest aparat este destinat utilizării de către utilizatori specializați sau instruiți în cadrul spațiilor comerciale, spațiilor din cadrul industriei ușoare și al fermelor sau în scopuri comerciale de către nespecialiști.

## <EESTI>

Originaaljuhend on ingliskeelne. Muudes keeltes versioonid on originaali tõlked.

### ▲ ETTEVAATUST!

- Külmaaine leke võib põhjustada lämbumist. Tuulutamine standardi EN378-1 kohaselt.
- Märkige torude ümber kindlasti isolatsiooni. Vahetu kontakt paljaste torudega võib põhjustada põletusi või külmakahjustusi.
- Hoiduge patareide tahmatust allaneelamisest, ärge kunagi pange ühelgi põhjusele patareisid suhu.
- Patarei allaneelamine võib põhjustada lämbumist ja/või mürgitust.
- Paigaldage seade jäigale struktuurile, et vältida ülemäärast tõeheit ja viibreemist.
- A-filtriga helirõhu tase on madalam kui 70 dB.
- Seade on mõeldud kasutamiseks asjatundjatele ja väljaõppe läbinud kasutajatele poodides, kergtõõstuses ja taludes ning kommertskasutuses tavaisikute poolt.

## <LATVIŠKI>

Origināls ir angļu valodā. Versijas citās valodās ir oriģināla tulkojums.

### ▲ UZMANĪBU

- Aukstumaģenta noplūdes gadījumā pastāv nosmakšanas risks. Ir jānodrošina standartam EN378-1 atbilstoša ventilācija.
- Aptiniet caurules ar izolējošu materiālu. Pieskaroties neaptitām caurulēm, var būt apdegumus vai apsaldējumus.
- Aizliegts ievietot baterijas mutē; pastāv norišanas risks.
- Bateriju norišana var izraisīt aizrīšanas un/vai saindēšanos.
- Uzstādiet iekārtu uz izturīgas struktūras, lai izvairītos no pārlieku liela darbības trokšņa vai vibrācijas.
- A — izsvārotais skaņas spiediena līmenis ir mazāks par 70 dB.
- Šo iekārtu paredzēts lietot speciālistiem vai apmācītiem lietotājiem veikalos, vieglās rūpniecības telpās un lauksaimniecības fermās, kā arī to var lietot nespeciālisti komerciālam vajadzībām.

## <LIETUVIŠKAI>

Originalas yra anglų k. Versijos kitomis kalbomis yra originalo vertimas.

### ▲ ATSARGIA!

- Dėl šaltnešio nuotėkio galima uždušti. Išvėdinkite patalpą pagal EN378-1.
- Būtinai vamzdelius apvyniokite izoliacija. Prisilietus prie plikų vamzdelių galima nusideginti arba nušalti.
- Siekdami išvengti atsitiktinio prarijimo, niekada nedėkite baterijų į burną.
- Prarijus bateriją galima užspringti ir / arba apsinuodyti.
- Įrenginį sumontuokite ant tvirtos struktūros, kad nesigirdėtų pernelyg didelio veikimo triukšmo ar vibracijos.
- A svertinis garso slėgio lygis nesiekia 70 dB.
- Šis prietaisas skirtas naudoti specialistui ar išmokytiems naudotojams dirbtuvėse, lengvojoje pramonėje ar ūkiuose arba komerciniam naudojimui nespecialistams.

## <HRVATSKI>

Tekst je izvorno napisan na engleskom jeziku. Tekst na ostalim jezicima predstavlja prijevod izvorno napisanog teksta.

### ▲ OPREZ

- Curenje rashladnog sredstva može uzrokovati gušenje. Osigurajte ventilaciju u skladu s normom HR EN378-1.
- Obavezno stavite izolaciju oko položenih cijevi. Izravni doticaj s golim cijevima može dovesti do opekline ili smrzanja.
- Nikada ne stavlajte baterije u usta ni zbog kojeg razloga kako biste izbjegli slučajno gutanje.
- Gutanje baterija može prouzročiti gušenje i/ili trovanje.
- Postavite jedinicu na čvrstu strukturu kako biste izbjegli prebučan zvuk tijekom rada ili pojavu vibracija.
- Razina zvučnog tlaka A niža je od 70dB.
- Ovaj uređaj mogu upotrebljavati stručnjaci ili osposobljeni korisnici u trgovinama, lakoj industriji i na poljoprivrednim gospodarstvima ili laici u komercijalne svrhe.

## <SRPSKI>

Prevod originala. Verzije na drugim jezicima su prevodi originala.

### ▲ OPREZ

- Curenje rashladne tečnosti može da dovede do gušenja. Obezbedite ventilaciju u skladu sa EN378-1.
- Obavezno obmotajte izolaciju oko cevi. Direktna kontakt sa golom cevi može izazvati opekotine ili promrzline.
- Nikada nemojte stavljati baterije u usta iz bilo kog razloga, kako bi se sprečilo slučajno gutanje.
- Gutanje baterija može da izazove gušenje i/ili trovanje.
- Ugradite jedinicu na čvrstu strukturu kako biste sprečili previše jak zvuk rada ili vibracije.
- A-ponderisani nivo jačine pritiska zvuka je ispod 70 dB.
- Ovaj uređaj je namenjen za upotrebu od strane stručnih ili obučanih korisnika u prodavnicama, u lakoj industriji i na farmama ili za komercijalnu upotrebu od strane nekvalifikovanih lica.

Please be sure to put the contact address/telephone number on this manual before handing it to the customer.

**mitsubishi electric corporation**

HEAD OFFICE: TOKYO BUILDING, 2-7-3, MARUNOUCHI, CHIYODA-KU, TOKYO 100-8310, JAPAN

# Air to Water Heat Pump SUZ-SWM·VA(H) series SUZ-SHWM·VAH series

INSTALLATION MANUAL	FOR INSTALLER	English
INSTALLATIONSHANDBUCH	FÜR INSTALLATEURE	Deutsch
MANUEL D'INSTALLATION	POUR L'INSTALLATEUR	Français
INSTALLATIEHANDLEIDING	VOOR DE INSTALLATEUR	Nederlands
MANUAL DE INSTALACIÓN	PARA EL INSTALADOR	Español
MANUALE DI INSTALLAZIONE	PER L'INSTALLATORE	Italiano
ΕΓΧΕΙΡΙΔΙΟ ΟΔΗΓΙΩΝ ΕΓΚΑΤΑΣΤΑΣΗΣ	ΓΙΑ ΑΥΤΟΝ ΠΟΥ ΚΑΝΕΙ ΤΗΝ ΕΓΚΑΤΑΣΤΑΣΗ	Ελληνικά
MANUAL DE INSTALAÇÃO	PARA O INSTALADOR	Português
INSTALLATIONSMANUAL	TIL INSTALLATØREN	Dansk
INSTALLATIONSMANUAL	FÖR INSTALLATÖREN	Svenska
MONTAJ ELKİTABI	MONTÖR İÇİN	Türkçe
РУКОВОДСТВО ПО УСТАНОВКЕ	ДЛЯ УСТАНОВИТЕЛЯ	Русский
ПОСІБНИК З УСТАНОВЛЕННЯ	ДЛЯ СПЕЦІАЛІСТА З МОНТАЖУ	Українська
РЪКОВОДСТВО ЗА МОНТАЖ	ЗА МОНТАЖНИКА	Български
INSTRUKCJA MONTAŻU	DLA INSTALATORA	Polski
INSTALLASJONSHÅNDBOK	FOR MONTØR	Norsk
ASENNUSOPAS	ASENTAJALLE	Suomi
INSTALAČNÍ PŘÍRUČKA	PRO MONTÁŽNÍ PRACOVNÍKY	Čeština
NÁVOD NA INŠTALÁCIU	PRE MONTÉRA	Slovenčina
TELEPÍTÉSI KÉZIKÖNYV	A TELEPÍTŐ RÉSZÉRE	Magyar
NAMESTITVENI PRIROČNIK	ZA MONTERJA	Slovenščina
MANUAL DE INSTALARE	PENTRU INSTALATOR	Română
PAIGALDUSJUHEND	PAIGALDAJALE	Eesti
MONTĀŽAS ROKASGRĀMATA	UZSTĀDĪŠANAS SPECIĀLISTAM	Latviski
MONTAVIMO VADOVAS	SKIRTA MONTUOTOJUI	Lietuviškai
PRIRUČNIK ZA POSTAVLJANJE	ZA INSTALATERA	Hrvatski
UPUTSTVO ZA UGRADNJU	ZA MONTERA	Srpski

1. Sikkerhetsforholdsregler .....	1	6. Elektrisk arbeid .....	9
2. Valg av installeringssted .....	3	7. Vedlikehold .....	10
3. Installasjonsdiagram .....	5	8. Vannrørlegging .....	11
4. Avtappingsrør for utendørsenhet .....	5	9. Nedpumping .....	13
5. Arbeid med kjølemediumrør .....	6	10. Spesifikasjoner .....	14



**Merk:** Dette symbolmerket gjelder kun EU-land.

Dette symbolet er i samsvar med direktiv 2012/19/EU Artikkel 14 Informasjon for brukere og Vedlegg IX.

Dette produktet fra MITSUBISHI ELECTRIC er utviklet og produsert med kvalitetsmaterialer og -komponenter som kan resirkuleres og brukes på nytt. Dette symbolet betyr at elektrisk og elektronisk utstyr, når de er ubrukelige, ikke skal kastes sammen med vanlig husholdningsavfall.

Kast dette utstyret på nærmeste miljøstasjon.

I EU er det adskilte oppsamlingssystemer for brukte elektriske og elektroniske produkter.

Hjelp oss å bevare miljøet!

## ⚠ FORSIKTIG:

- Ikke slipp R32 ut i atmosfæren.

## 1. Sikkerhetsforholdsregler

- ▶ Les alle "Sikkerhetsforholdsreglene" før du monterer enheten.
- ▶ Rapportér til eller få samtykke fra energiselskapet før tilkoping til systemet.

## ⚠ ADVARSEL:

Beskriver forholdsregler som må tas for å forhindre fare for at brukeren blir skadet eller dør.

## ⚠ FORSIKTIG:

Beskriver forholdsregler som må tas for å forhindre skade på enheten.

Etter at monteringsarbeidet er fullført, må "Sikkerhetsforholdsregler", bruk og vedlikehold av enheten forklares kunden i henhold til informasjonen i brukerhåndboken samt gjennomføre testkjøringen for å være sikker på at anlegget fungerer som det skal. Både monteringshåndboken og brukerhåndboken må gis til, og skal beholdes av, brukeren. Disse håndbøkene må gis videre til påfølgende brukere.

⚡ : Indikerer hvilken del som må jordes.

## ⚠ ADVARSEL:

Les merkene som står på hovedenheten nøye.

⚡ : Angir farer og forhold du bør være oppmerksom på, ved bruk av kjølemiddelet R32.

## BETYDNINGEN AV SYMBOLENE PÅ DEN INNVENDIGE ENHETEN OG/ELLER DEN UTVENDIGE ENHETEN

	<b>ADVARSEL</b> (Brannfare)	Dette merket gjelder kun R32-kjølemiddel. Kjølemiddeltypen er skrevet på navneplaten til utendørsenheten. Hvis kjølemiddeltypen er R32, bruker denne enheten et lett antennelig kjølemiddel. Hvis kjølemiddelet lekker og kommer i kontakt med flammer eller en varm del, dannes det skadelig gass og det er fare for brann.
	Les BRUKERHÅNDBOKEN nøye før bruk.	
	Servicepersonell må lese BRUKERHÅNDBOKEN og MONTERINGSHÅNDBOKEN nøye før bruk.	
	Du finner mer informasjon i BRUKERHÅNDBOKEN, MONTERINGSHÅNDBOKEN og lignende.	

## ⚠ ADVARSEL:

- Enheten må ikke monteres av brukeren. Be en forhandler eller autorisert tekniker om å montere og reparere enheten. Hvis enheten monteres feil, kan det føre til vannlekkasje, elektrisk støt eller brann.
- For monterings- og flyttingsarbeid må man følge instruksene i installasjonshåndboken og bruke de verktøy og rørkomponenter som er spesifikt laget for å brukes med kjølemiddelet R32. Hvis det brukes rørkomponenter som ikke er designet for R32-kjølemiddel og enheten ikke monteres på korrekt måte, kan rørene sprekke og forårsake skade på eiendom eller personer. I tillegg kan det føre til vannlekkasje, elektrisk støt eller brann.
- Enheten må monteres i henhold til instruksene for å minimere risikoen for skade som følge av jordskjelv, orkan eller sterk vind. En feilmontert enhet kan falle ned og forårsake skade på eiendom eller personer.
- Enheten må monteres forsvarlig på en struktur som tåler dens vekt. Hvis enheten monteres på en ustabil struktur, kan den falle ned og forårsake skade på eiendom eller personer.
- Hvis luft-til-vann-varmepumpen monteres i et lite rom, må det tas tiltak for å forhindre at kjølemiddellkonsentrasjonen i rommet overskrider sikkerhetsgrensen i tilfelle det skulle oppstå en kjølemiddellekkasje. Rådfør deg med en forhandler angående egnede tiltak for å forhindre at den tillatte konsentrasjonen overskrides. Hvis det skulle komme lekkasje av kjølemiddel slik at konsentrasjonen overskrides, kan det oppstå skade på grunn av oksygenmangel i rommet.
- Luft ut rommet hvis det lekker kjølemiddel under bruk. Hvis kjølemiddelet kommer i kontakt med ild, kan det bli dannet giftige gasser.

- Alt elektrisk arbeid må utføres av en kvalifisert tekniker i samsvar med lokale forskrifter og instruksene som gis i denne håndboken. Enhetene må få strøm fra dediserte strømlinjer og det må brukes korrekt spenning og vernebrytere. Strømlinjer med utilstrekkelig kapasitet eller feil elektrisk arbeid kan føre til elektrisk støt eller brann.
- Bruk C1220 kopperfosfor, for sømløse rør laget av kopper eller kopperlegeringer, til å kople sammen kjølemiddelrør. Hvis rørene ikke er korrekt tilkoplede, vil enheten ikke være korrekt jordnet, noe som kan føre til elektrisk støt.
- Dette apparatet er ment for bruk av faglærte eller opplærte brukere i butikker, lettindustri og på gårdsbruk, eller for kommersiell bruk av ufaglærte.
- Bruk kun spesifiserte kabler for tilkoping. Ledningskoplinger må være sikre uten strekk på klemmekoplingene. Dessuten må tilkoplingskabler ikke skjøtes (med mindre noe annet angis i dette dokumentet). Hvis disse instruksene ikke følges, kan det føre til overoppheting eller brann.
- Dersom strømforsyningskabelen er skadet, må den kun skiftes av et autorisert serviceverksted.
- Apparatet skal installeres i samsvar med nasjonale installasjonsforskrifter.
- Dekselet på rekkeklemmepanelet på utendørsenheten må være godt festet. Hvis dekelet er feilmontert og det kommer støv og fuktighet inn i enheten, kan det føre til elektrisk støt eller brann.



# 1. Sikkerhetsforholdsregler

- Ved montering eller flytting, eller service på luft-til-vann-varmepumpen, må det bare brukes spesifisert kjølemedium (R32) i kjølemediummørene. Ikke bland den med andre kjølemedier, og ikke la det være igjen luft i rørene. Hvis luft blir blandet med kjølemiddelet, kan det forårsake unormalt høyt trykk i kjølemiddelrøret, og det kan føre til eksplosjon og andre farer. Bruk av andre kjølemedier enn det som er spesifisert for systemet vil forårsake mekanisk svikt, systemsvikt eller enhetshavari. I verste fall kan dette føre til at det blir veldig vanskelig å feste produktet på en sikker måte.
- Bruk kun tilbehør som er godkjent av Mitsubishi Electric og be en forhandler eller autorisert tekniker om å montere det. Hvis tilbehør monteres feil, kan det føre til vannlekkasje, elektrisk støt eller brann.
- Enheten må ikke endres. Det kan føre til brann, elektrisk støt, personskade eller vannlekkasje.
- Brukeren må aldri prøve å reparere enheten eller å overføre den til et annet sted. Hvis enheten monteres feil, kan det føre til vannlekkasje, elektrisk støt eller brann. Hvis det er behov for å reparere eller flytte luft-til-vann-varmepumpen, må du be en forhandler eller autorisert tekniker om å gjøre det.
- Hvis det er lekkasje i kjølekretsen, skal det IKKE utføres nedpumping med kompressoren.
- Når kjølemedium pumpes ned, må kompressoren stanses før kjølemediummørene kobles fra. Kompressoren kan sprekke hvis det kommer luft osv. inn i den.
- Kontroller om det lekker kjølemiddel etter at monteringen er fullført. Hvis det lekker kjølemiddel inn i rommet og det kommer i kontakt med flammen på et varmeapparat eller bærbar komfyr, vil det bli dannet giftige gasser.
- Ikke påskynd avisingsprosessen eller rengjør apparatet på annen måte enn slik produsenten anbefaler.
- Apparatet skal oppbevares i et rom uten antenneskilder i kontinuerlig drift (f.eks.: åpen ild, et gassapparat i bruk eller en elektrisk ovn som er i bruk).
- Må ikke perforeres eller brennes.
- Vær oppmerksom på at kjølemiddelet kanskje er luktfritt.
- Rørene må beskyttes mot fysisk skade.
- Monteringen av rør må holdes til et minimum.
- Nasjonale regler for gass skal følges.
- Hold eventuelle påkrevde lufteåpninger fri for hindringer.
- Ikke bruk loddemettall for lav temperatur ved hardlodding på kjølemedierrørene.
- Ved hardlodding er det viktig å sørge for god ventilering. Kontroller at det ikke finnes farlige eller lett antenkelige materialer i nærheten. Når arbeidet gjøres i et lukket eller lite rom eller på et liknende sted, må du kontrollere at det ikke er noen kjølemiddelekkasjer før du utfører arbeidet. Hvis det lekker ut kjølemedium som blir liggende, kan det antennes eller det kan dannes giftige gasser.
- Apparatet skal oppbevares på et godt ventilert sted der romstørrelsen tilsvarer romflaten som er angitt for bruk.
- Hold gassapparater, elektriske ovner eller andre brannkilder (antenneskilder) langt unna stedet der det utføres monteringsarbeid, reparasjoner eller annet arbeid på klimaanlegget. Hvis kjølemiddelet kommer i kontakt med ild, kan det bli dannet giftige gasser.
- Ikke røyk under arbeid og transport.
- Ikke legg til mer enn maksimal mengde kjølemedium for hver utendørs enhet. Hvis den maksimale mengde kjølemedium overskrides, kan det føre til brann når kjølemediet lekker.

## 1.1. Før montering



### FORSIKTIG:

- Ikke bruk enheten i et uvanlig miljø. Hvis luft-til-vann-varmepumpen monteres i områder som er eksponert for damp, flyktig olje (inklusive maskinolje) eller svovelgass, områder eksponert for høyt saltinnhold som ved sjøen, eller områder der enheten vil bli dekket av snø, kan ytelsen bli betydelig redusert og innvendige deler kan bli skadet.
- Ikke monter enheten der det kan lekker, produseres, flyte eller akkumuleres brennbar gass. Hvis brennbar gass akkumuleres rundt enheten, kan det føre til brann eller eksplosjon.
- Utendørsenheten produserer kondens under oppvarming. Sørg for drenering rundt utendørsenheten hvis slik kondens sannsynligvis vil forårsake skade.
- Ved montering av enheten i et sykehus eller kommunikasjonskontor, må du være forberedt på støy og elektronisk interferens. Vekselrettere, husholdningsapparater, hørfrekvent medisinsk utstyr og radiokommunikasjonsutstyr kan forårsake at luft-til-vann-varmepumpen får funksjonsfeil eller svikter. Luft-til-vann-varmepumpen kan også påvirke medisinsk utstyr, forstyrre medisinsk pleie og kommunikasjonsutstyr ved å skade visningskvaliteten på skjermer.

## 1.2. Før montering (flytting)



### FORSIKTIG:

- Vær meget forsiktig ved transport eller montering av enhetene. Det trengs 2 eller flere personer til å håndtere enheten, ettersom den veier 20 kg eller mer. Ikke ta tak i emballasjebåndene. Bruk vernehansker når du tar enheten ut av emballasjen og flytter den, ettersom du kan skade hendene på ribbene eller på kanten av andre deler.
- Sørg for å kaste emballasjen på en forsvarlig måte. Emballasjemateriale, som spiker eller andre deler av metall eller tre, kan forårsake stikksår eller andre skader.
- Sokkelen og tilbehøret til utendørsenheten må periodevis kontrolleres for å se om noe har kommet løst, fått sprekker eller annen skade. Hvis slike skader ikke repareres, kan enheten falle ned og forårsake skade på eiendom eller personer.
- Luft-til-vann-varmepumpen må ikke vaskes med vann. Det kan føre til elektrisk støt.
- Stram alle leppemuttre i henhold til spesifikasjon med en momentnøkkel. Hvis det strammes for mye, kan leppemutteren sprekke etter en lengre periode og kjølemiddel lekker ut.

## 1.3. Før elektrisk arbeid



### FORSIKTIG:

- Husk å montere vernebrytere. Hvis de ikke monteres, kan det føre til elektrisk støt.
- Bruk standard kabler med tilstrekkelig kapasitet som strømledninger. Hvis ikke, kan det føre til kortslutning, overoppheting eller brann.
- Ikke ha strekk i kablene ved montering av strømledninger. Hvis kontaktene løsner, kan kablene bryte eller sprekke, med overoppheting eller brann som følge.
- Husk å jorde enheten. Du må ikke kople jordledningen til gass- eller vannrør, lynavledere eller jordledninger i telefonanlegget. Hvis enheten ikke er skikkelig jordet, kan det føre til elektrisk støt.
- Bruk vernebrytere (jordfeilavbryter, isoleringsbryter (+B-sikring) og vernebryter inne i støpt hus) med den spesifiserte kapasiteten. Hvis vernebryterkapasiteten er større enn den spesifiserte kapasiteten, kan det føre til svikt eller brann.

# 1. Sikkerhetsforholdsregler

## 1.4. Før testkjøringen starter

### FORSIKTIG:

- Slå på hovedstrømbryteren minst 12 timer før anlegget tas i bruk. Hvis du starter kjøringen umiddelbart etter å ha slått på strømbryteren, kan det føre til alvorlig skade på interne deler. La hovedstrømbryteren stå på hele tiden i brukssesongen.
- Før bruk må du kontrollere at alle paneler, vern og andre beskyttende deler er korrekt montert. Deler som roterer, er varme eller har høy spenning kan forårsake personskade.

- Brytere må ikke berøres med våte hender. Det kan føre til elektrisk støt.
- Ikke berør kjølemiddelrørene med bare hender under bruk. Kjølemiddelrørene er varme eller kalde, avhengig av tilstanden til det flytende kjølemiddelet. Hvis du berører rørene, kan det føre til brannskade eller forfrysning.
- Vent i minst fem minutter før du slår av hovedstrømbryteren etter å ha slått av anlegget. Hvis ikke, kan det føre til vannlekkasje eller funksjonssvikt.

## 1.5. Bruk av luft-til-vann-varmepumpe med R32-kjølemiddel

### FORSIKTIG:

- Bruk C1220 kopperfosfor, for sømløse rør laget av koppar eller kopperlegeringer, til å kople sammen kjølemiddelrør. Sørg for at rørene er rene innvendig og ikke inneholder noen skadelige kontaminanter, som for eksempel svovelforbindelser, oksidanter, rusk eller støv. Bruk rør med den spesifiserte tykkelsen. (Se 4.1.) Vær oppmerksom på følgende hvis det gjenbrukes rør som har inneholdt R22-kjølemiddel.
  - Skift ut eksisterende leppemuttre og gjør de koniske utvidede delene koniske igjen.
  - Ikke bruk tynne rør. (Se 4.1.)
- Oppbevar rørene som skal brukes i monteringen innendørs og la begge ender av rørene være forseglert inntil like før hardlodding. (La alburør osv. ligge i emballasjen.) Hvis det kommer støv, rusk eller fuktighet inn i kjølemiddelrørene, kan det føre til oljeforringelse eller kompressorhavari.
- Bruk esterolje, eterolje, alkylbenzenolje (liten mengde) som kjøleoljen som påføres de koniske utvidede delene. Hvis det blandes mineralolje inn i kjøleoljen, kan det føre til oljeforringelse.

- Service skal kun foretas som anbefalt av produsenten.
- Ikke bruk noe annet kjølemiddel enn R32. Hvis det brukes et annet kjølemiddel, vil klorinen gjøre at oljen forringes.
- Bruk følgende verktøy, som er spesifikt beregnet på bruk med kjølemiddelet R32. Følgende verktøy er nødvendig for å bruke kjølemiddelet R32. Kontakt nærmeste forhandler hvis du har spørsmål.

Verktøy (for R32)	
Målermanifold	Flammeverktøy
Mateslange	Størrelsesjusteringsmåler
Gasslekkasjedetektor	Vakuumpumpeadapter
Momentnøkkel	Elektronisk matevekt for kjølemiddel

- Bruk korrekt verktøy. Hvis det kommer støv, rusk eller fuktighet inn i kjølemiddelrørene, kan det føre til forringelse av kjøleoljen.

## 2. Valg av installeringssted

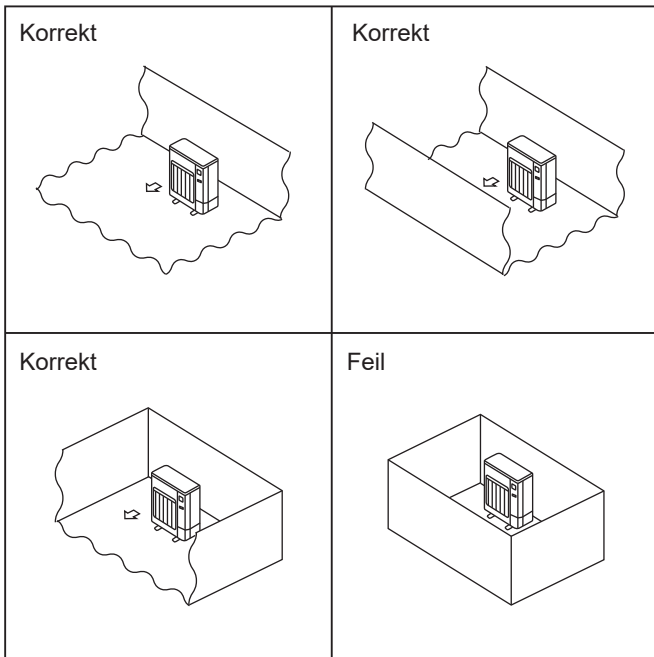


Fig. 2-1

### 2.1. Utendørsenhet

- R32 er tyngre enn luft – og andre kjølemidler – så det har en tendens til å samle seg i bunnen (nær bakken). Hvis R32 samler seg rundt bunnen, kan den nå en antenbar konsentrasjon i små rom. Sørg for tilstrekkelig ventilasjon for å oppnå et trygt arbeidsmiljø og unngå antenning. Hvis det oppdages kjølemiddelekkasje i et rom eller område med utilstrekkelig ventilasjon, må det ikke brukes åpen ild der før arbeidsmiljøet har blitt forbedret ved å sørge for tilstrekkelig ventilasjon.
- Hvor den ikke utsettes for sterk vind.
- Hvor luftstrømningen er god og støvfri.
- Hvor den ikke fører til kortere sykklus.
- Hvor naboer ikke plages av driftsstøyen eller av den varme luften.
- Hvor man har en stiv veggkonstruksjon eller støtte for å unngå økt driftsstøy eller vibrasjon.
- Hvor det ikke er noen fare for lekkasjer av brennbar gass.
- Når installeringen skjer høyt oppe, må du forsikre deg om at enhetens ben er sikret.
- Hvor den er minst 3 m unna antenne til TV eller radio. (Ellers kan bilder bli forstyrret og det kan genereres støy.)
- Vennligst installer den på et sted som ikke påvirkes av snø eller snøfokk. I områder med stort snøfall, bør du installere en skjerm, en sokkel og/eller noen lydskjermer.
- Installer enheten horisontalt.
- Tilkoblingen av kjølemiddelrørene skal være lett tilgjengelig for vedlikehold.
- Monter utendørsenheter på et sted der minst én av fire sider er åpne, og i et tilstrekkelig stort område uten fordypninger. (Fig. 2-1)

### FORSIKTIG:

Unngå følgende steder for installasjon, hvor det er sannsynlig at man får problemer med luft-til-vann-varmepumpen.

- Steder med mye motorolje.
- Salte omgivelser som f.eks. ved sjøkanten.
- Områder med varme kilder.
- Områder med svovelgass.
- Andre områder med spesiell atmosfære.

Utendørsenheten produserer kondens under oppvarming. Velg monteringssted der utendørsenheten og/eller bakken er beskyttet mot fuktighet i form av regnvann eller mot frossent avløpsvann.

## 2. Valg av installeringssted

### ©2.2. Minimum monteringsområde

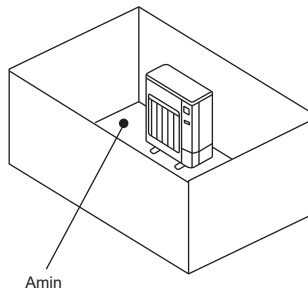
Hvis det ikke er mulig å unngå montering av en enhet i et område der alle fire sider er blokkerte eller det finnes fordypninger, må du bekrefte at minst ett av disse forholdene (A, B eller C) foreligger.

**Merk: Disse mottiltakene er kun for sikkerhet, ikke for ytelsesgaranti.**

A) Sørg for at monteringsområdet er tilstrekkelig stort (minimum monteringsområde Amin).

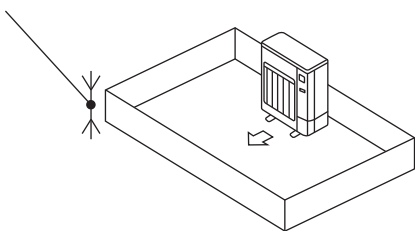
Monter på et sted med monteringsområde med Amin eller mer, i forhold til kjølemiddelmengden M (kjølemiddel fylt på fabrikk + kjølemiddel fylt på lokalt).

M [kg]	Amin [m <sup>2</sup> ]
1,0	12
1,5	17
2,0	23
2,5	28
3,0	34
3,5	39
4,0	45
4,5	50
5,0	56
5,5	62
6,0	67
6,5	73
7,0	78
7,5	84

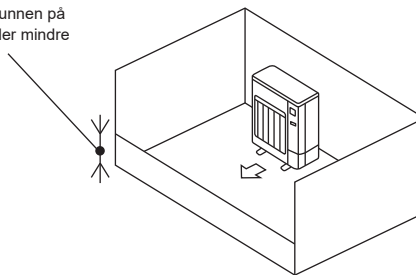


B) Monter på et sted med fordypningshøyde på  $\leq 0,125$  [m].

Høyde fra bunnen på  
0,125 [m] eller mindre



Høyde fra bunnen på  
0,125 [m] eller mindre

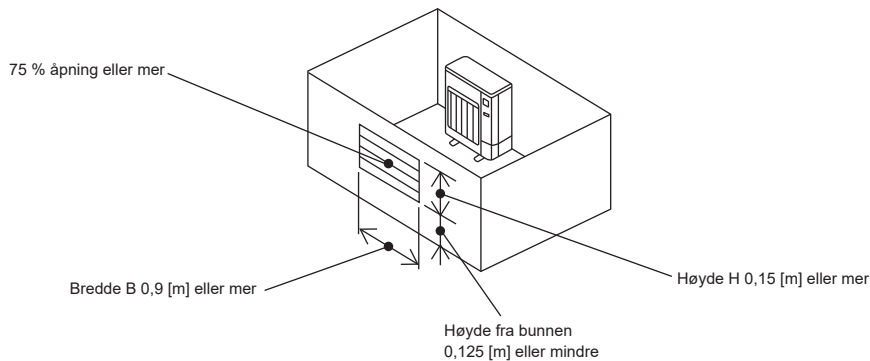


C) Skap et åpent område med tilstrekkelig ventilasjon.

Sørg for at det åpne området har en bredde på 0,9 [m] eller mer, og at høyden på det åpne området er 0,15 [m] eller mer.

Høyde fra bunnen av monteringsområdet til den nedre kanten av det åpne området skal imidlertid være 0,125 [m] eller mindre.

Det åpne området skal ha 75 % åpning eller mer.



**Merk: Angående innendørsenheter er det ingen installeringsbegrensninger pga. bruken av R32-kjølemiddel.**

Se i monteringshåndboken for innendørsenheter og kontroller påkrevd installeringssted.

### 3. Installasjonsdiagram

#### 3.1. Utendørsenhet (Fig. 3-1)

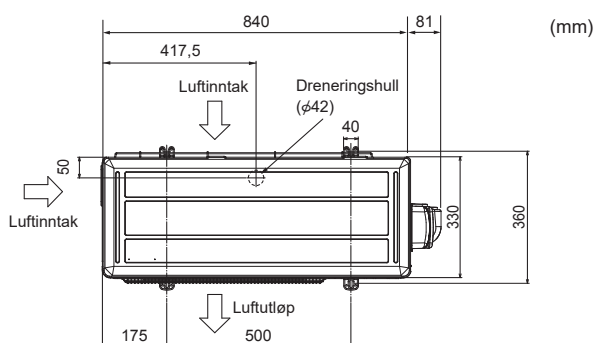
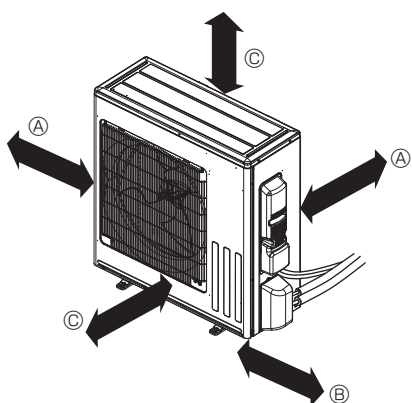
##### Ventilasjons- og servicerom

- Ⓐ 100 mm eller mer
- Ⓑ 350 mm eller mer
- Ⓒ 500 mm eller mer

Når rørene skal festes til en vegg som inneholder metaller (kledd med blykk) eller metallnett, bruk et kjemisk behandlet trestykke 20 mm eller tykkere mellom veggen og rørene, eller tynn 7 til 8 omdreininger med isolerende vinyltape rundt rørene.

Enheter skal installeres av en godkjent installatør i samsvar med lokale krav.

- SUZ-SWM80VA2, SUZ-SWM80VAH2, SUZ-SWM100VA, SUZ-SWM100VAH, SUZ-SHWM60VAH



##### Merk:

Når man bruker luft-til-vann-varmepumpen ved lave utetemperaturer, forsikre deg om at instruksjonene beskrevet nedenfor blir fulgt.

- Installer aldri utendørsenheten på steder hvor luftinntak/-utløp kan bli direkte utsatt for vind.
- For å forebygge eksponering for vind, må du installere utendørsenheten med luftinntakssiden mot veggen.
- For å forebygge eksponering for vind, anbefales det å installere en lydskjerm på luftutløpssiden av utendørsenheten.

- SUZ-SWM30VA, SUZ-SWM40VA2, SUZ-SWM60VA2, SUZ-SHWM30VAH, SUZ-SHWM40VAH

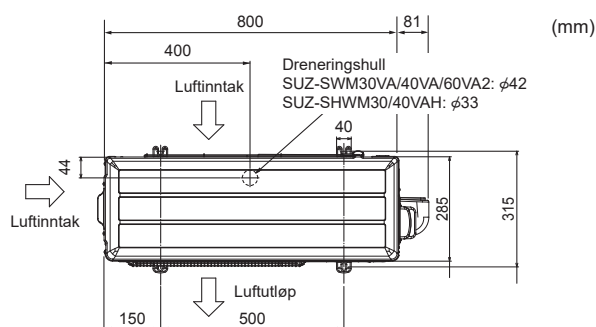
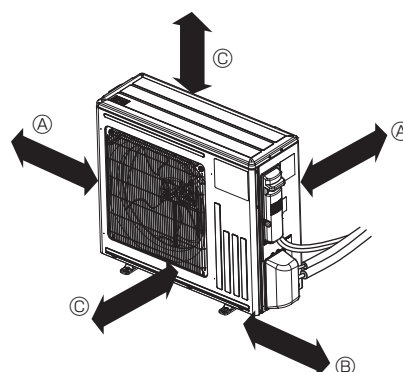


Fig. 3-1

### 4. Avtappingsrør for utendørsenhet (Fig. 4-1)

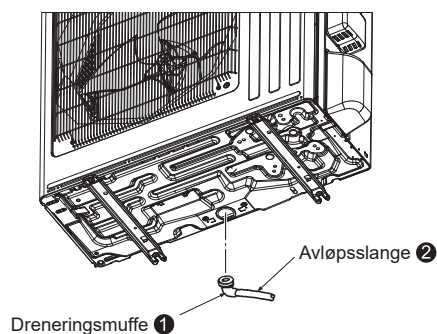


Fig. 4-1

#### 4.1. Tilleggsutstyr

Sjekk følgende deler før installering.

<Utendørsenhet>

❶	Dreneringsmuffe	1
---	-----------------	---

- Sørg for avtappingsrør før tilkobling av innvendige og utvendige rør. (Det er vanskelig å installere dreneringsmuffen ❶ hvis rørene innendørs og utendørs er tilkoblet før avtappingsrørene fordi utendørsenheten da ikke kan beveges.)
- Koble til dreneringsslangen ❷ (kan anskaffes fra en butikk, innvendig diameter: 15 mm) slik som vist i figuren for drenering.
- Forsikre deg om at avtappingsrørene er lagt med fall slik at man oppnår avrenning.

##### Merk:

Ikke bruk dreneringsmuffen ❶ i kalde regioner. Avtappingen kan fryse og viften stopper.

Dreneringsmuffe er ikke inkludert i SHWM-serien.

## 5. Arbeid med kjølemediumrør

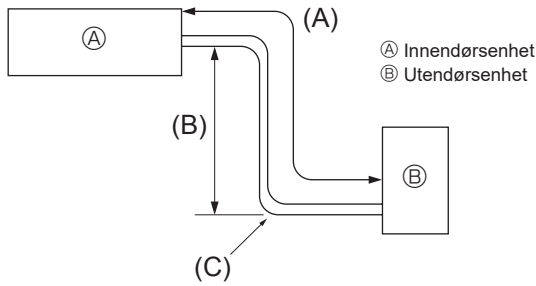


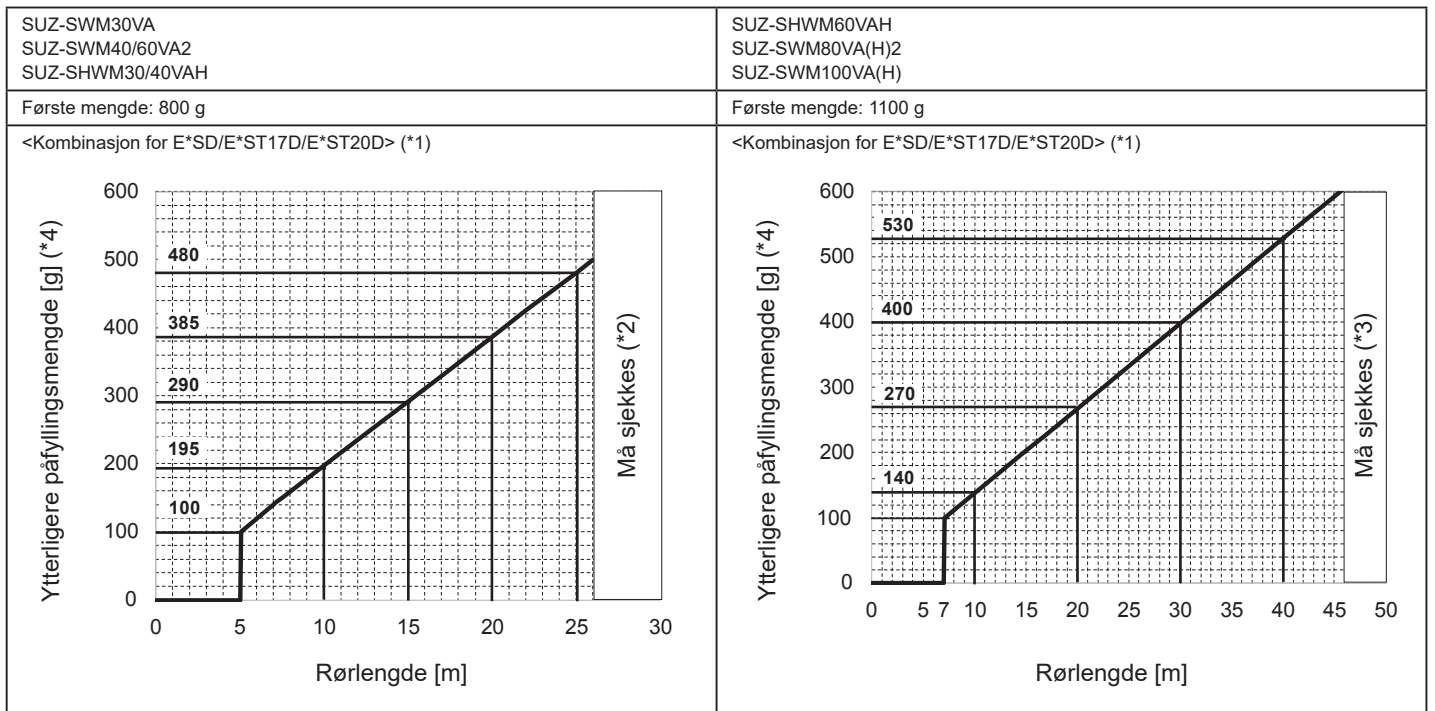
Fig. 5-1

### 5.1. Kjølemediumrør (Fig. 5-1)

► Kontroller at høydeforskjellen mellom innen- og utendørs enhetene, lengden på kjølemediumrør og antall rørbøyer er innenfor grensene som står nedenfor.

Modeller	(A) Rørlengde (én vei)	(B) Høydeforskjell	(C) Antall rørbøyer (én vei)
SUZ-SWM30VA	2 m - 26 m	Maks. 26 m	Maks. av 10
SUZ-SHWM30VAH			
SUZ-SWM40VA2			
SUZ-SHWM40VAH			
SUZ-SWM60VA2	2 m - 46 m	Maks. 30 m	
SUZ-SHWM60VAH			
SUZ-SWM80VA(H)2			
SUZ-SWM100VA(H)			

• Begrensningene på høydeforskjellen gjelder uansett hvilken enhet, innendørs eller utendørs, som står høyere.



\*1. Ved tilkobling til E\*ST30D skal det ALLTID legges til 50 g i tillegg til ytterligere påfyllingsmengde i henhold til grafene.

\*2. Til rørlengder som er lenger enn 26 m, må dette sjekkes med spesialisten vår.

\*3. Til rørlengder som er lenger enn 46 m, må dette sjekkes med spesialisten vår.

\*4. Ved full påfylling: Første mengde + ytterligere påfyllingsmengde

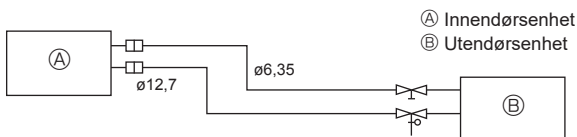


Fig. 5-2

(1) Tabellen under viser spesifikasjoner på kommersielt tilgjengelige rør. (Fig. 5-2)

Modell	Rør	Utendørs diameter		Min. vegg tykkelse	Isolasjons tykkelse	Isolasjons materiale
		mm	tomme			
Alle modeller	For væske	6,35	1/4	0,8 mm	8 mm	Varmebestandig skumplast, 0,045 egenvekt
	For gass	12,7	1/2	0,8 mm	8 mm	

(2) Sikre at de 2 kjølemediumrørene er godt isolert for å forhindre kondens.

(3) Kjølemedierørets bøyeradius må være 100 mm eller mer.

### ⚠ FORSIKTIG:

Bruk isolasjon med nøyaktig spesifisert tykkelse. Overdreven tykkelse forhindrer lagring på baksiden av innendørsdelen og for liten tykkelse fører at det drypper dugg.

- Sørg for tilstrekkelig ventilasjon for å unngå antenning. Iverksett også forebyggende branniltak ved å sørge for at det ikke finnes farlige eller lettantennelige gjenstander i det omkringliggende området.
- Påfylling av R32 ved vedlikehold: Sørg for at utstyrets maskin er 100 % frakoblet nettstrømmen før det fylles R32 på utstyret under service, for å sikre at det ikke finnes risiko for eksplosjon pga. elektriske gnister.
- Isolasjonsmaterialene skal oppfylle spesifikasjonene nedenfor.
  - (1) Varmeoverføringsrate: 0,040 W/mK eller mindre
  - (2) Isolasjonstykkelse: 9 mm eller mer
  - (3) Varmebestandighet: 110 °C eller mer
 Hvis utvendig rørlengde er over 15 m, skal isolasjonstykkelsen være 18 mm eller mer.

## 5. Arbeid med kjølemediumrør

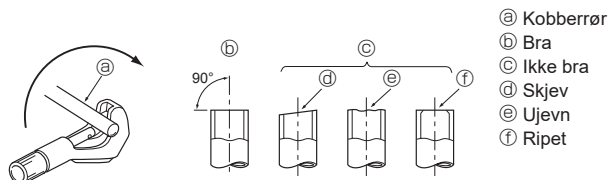


Fig. 5-3

- Ⓐ Kobberrør
- Ⓑ Bra
- Ⓒ Ikke bra
- Ⓓ Skjev
- Ⓔ Ujevn
- Ⓕ Ripet

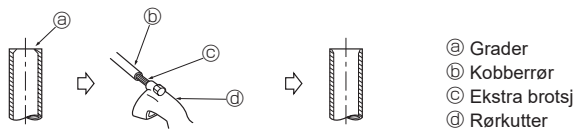


Fig. 5-4

- Ⓐ Grader
- Ⓑ Kobberrør
- Ⓒ Ekstra brotsj
- Ⓓ Rørkutter

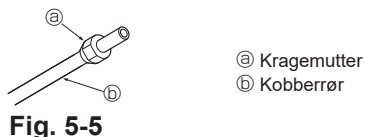


Fig. 5-5

- Ⓐ Kragemutter
- Ⓑ Kobberrør

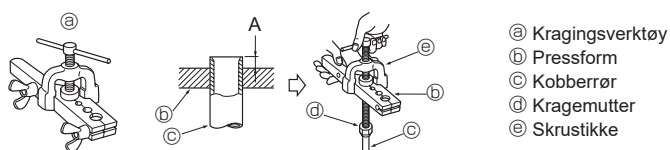


Fig. 5-6

- Ⓐ Kragingsverktøy
- Ⓑ Pressform
- Ⓒ Kobberrør
- Ⓓ Kragemutter
- Ⓔ Skrustikke

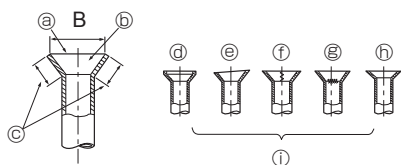


Fig. 5-7

### 5.2 Kraging

- Den viktigste årsaken til gasslekkasje er feil kraging.
- Kraging utføres korrekt på følgende måte:

#### 5.2.1. Rørkutting (Fig. 5-3)

- Bruk rørkutter og kutt kobberrøret korrekt.

#### 5.2.2. Fjern grader (Fig. 5-4)

- Fjern alle grader fra rørsnittet.
- Hold enden av kobberrøret pekende nedover når du fjerner grader, slik at du unngår at grader faller inn i røret.

#### 5.2.3. Monter mutter (Fig. 5-5)

- Ta av kragemuttre festet til innendørsenhet og utendørsenhet, og sett dem så på røret hvor alle grader er fjernet.
- (Det er ikke mulig å sette dem på etter kragingen.)

#### 5.2.4. Kraging (Fig. 5-6)

- Utfør kragingen ved å bruke krageverktøy som vist til venstre.

Rørdiameter (mm)	Dimensjon	
	A (mm)	B <sup>+0</sup> <sub>-0,4</sub> (mm)
	Når verktøy for R32 benyttes	
	Clutchtype	
6,35	0 - 0,5	9,1
9,52	0 - 0,5	13,2
12,7	0 - 0,5	16,6
15,88	0 - 0,5	19,7

Hold kobberrøret godt fast i en form med dimensjon som vist i tabellen over.

#### 5.2.5. Kontroller (Fig. 5-7)

- Sammenlign kragingen med bildet på venstre side.
- Hvis kragen virker defekt, kutt av kragen og gjør kragingen på nytt.

- Ⓐ Glatt hele veien rundt
- Ⓑ Innsiden skinner uten riper
- Ⓒ Lik lengde hele veien rundt
- Ⓓ For mye
- Ⓔ Skjev
- Ⓕ Riper i krageplaten
- Ⓖ Sprukket
- Ⓗ Ujevn
- Ⓘ Eksempler på feil

- Påfør et tynt lag med kjøleanleggsolje på rørets seteoverflate. (Fig. 5-8)
- For tilkobling justerer du først inn senter, og trekker deretter til de første 3 til 4 omdreiningene av kragemutteren.
- Bruk tabellen over tiltrekingsmomenter nedenfor som en retningslinje for sideunionkoblingsdelen til innendørsenheten, og trekk til med to skrunøkler. For kraftig tiltrekking skader kragen.

Kopperrør U.D. (mm)	Kragemutter U.D. (mm)	Tiltrekingsmoment (N·m)
ø6,35	17	14–18
ø9,52	22	34–42
ø12,7	26	49–61
ø15,88	29	68–82

### ⚠ ADVARSEL:

Ved montering av enheten må kjølemediumrørene koples forsvarlig til før kompressoren startes.

### ⚠ ADVARSEL:

Se opp for flygende kragemuttre! (Internt trykksatt)

Fjern kragemutteren slik:

1. Løsne mutteren fram til du hører en vislelyd.
2. Ikke fjern mutteren før gassen er helt tømt (dvs. vislelyden stopper).
3. Kontroller at gassen er fullstendig tømt, og fjern deretter mutteren.

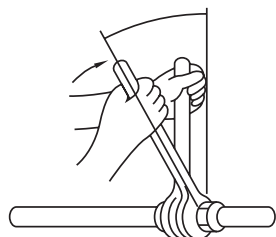
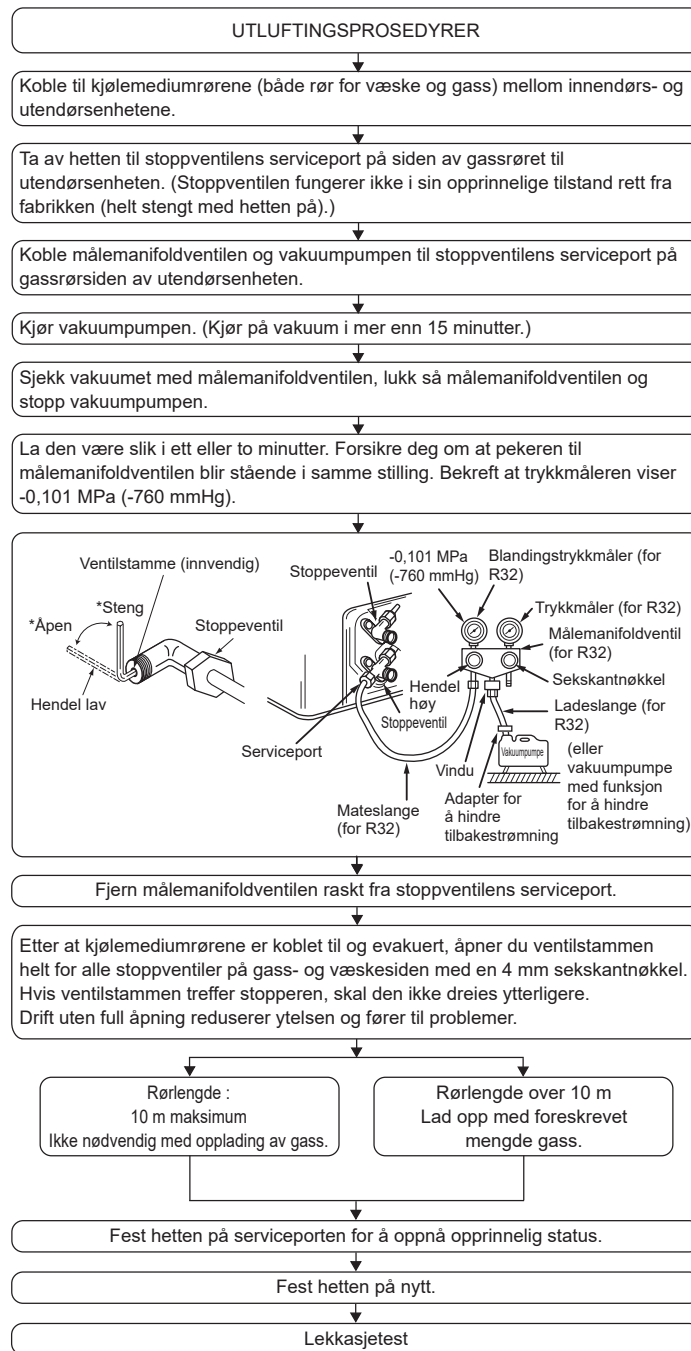


Fig. 5-8

## 5. Arbeid med kjølemediumrør

### 5.3. Utluftingsprosedyrer og lekkasjetest

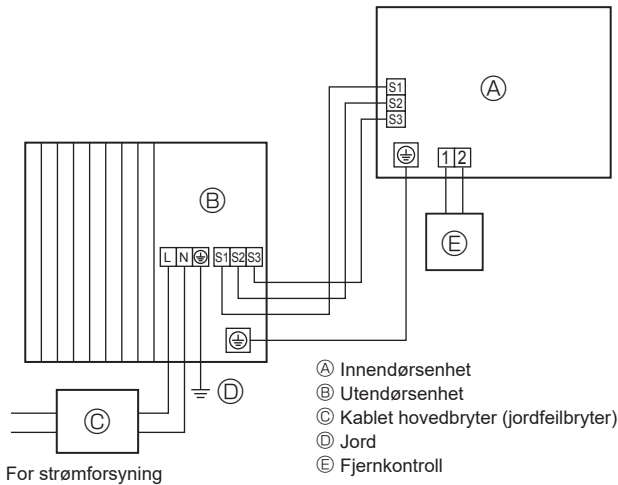


## 6. Elektrisk arbeid

### 6.1. Utendørsenhet (Fig. 6-1, Fig. 6-2, Fig. 6-3)

- ① Fjern servicepanelet.
- ② Koble til kablene med henvisning til Fig. 6-1, Fig. 6-2 og Fig. 6-3.

#### ■ SUZ-SHWM60VAH, SUZ-SWM80VA(H)2, SUZ-SWM100VA(H)



#### ■ SUZ-SHWM30/40VAH, SUZ-SWM30VA, SUZ-SWM40/60VA2

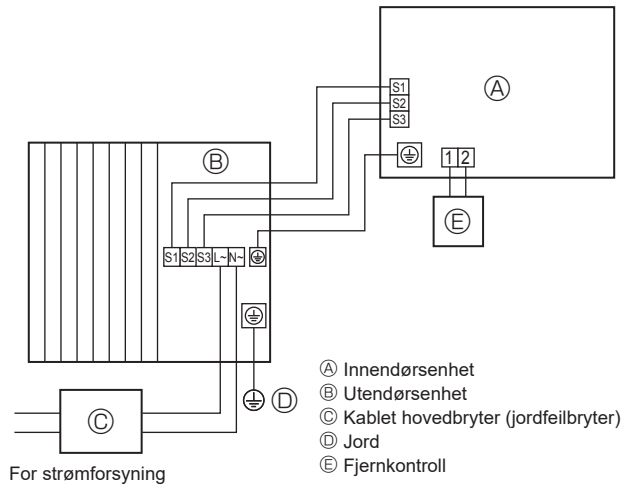
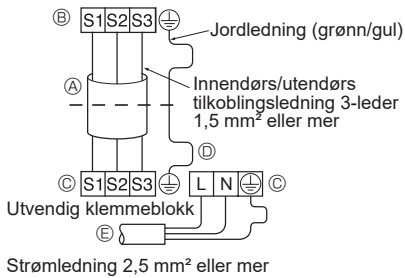


Fig. 6-1

#### Innendig klemmeblokk



#### ■ For SUZ-SHWM30/40VAH, SUZ-SWM30VA/40VA2/60VA2

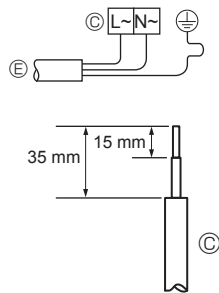
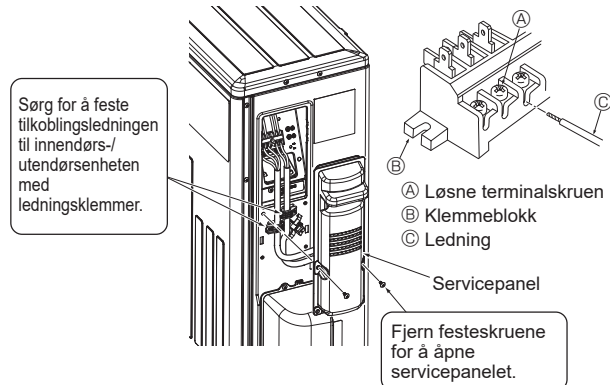


Fig. 6-2

#### ■ SUZ-SWM30VA, SUZ-SWM40VA2, SUZ-SWM60VA2, SUZ-SHWM30VAH, SUZ-SHWM40VAH



#### ■ SUZ-SWM80VA2, SUZ-SWM100VA, SUZ-SWM80VAH2, SUZ-SWM100VAH, SUZ-SHWM60VAH

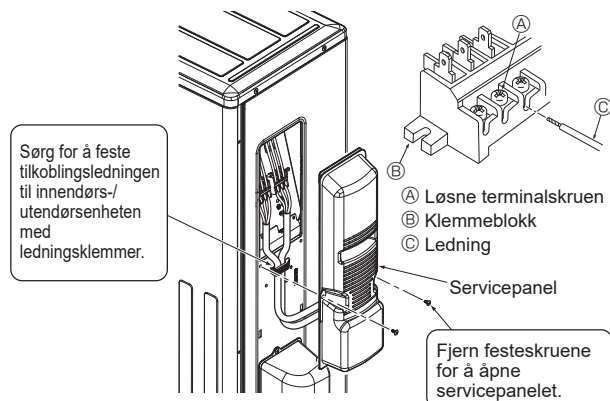


Fig. 6-3

- Utfør kabling som vist i figuren nede til venstre. (Anskaff kabelen lokalt) (Fig. 6-2) Sørg for kun å bruke kabler med korrekt polaritet.

- (A) Tilkoblingskabel
- (B) Innendig klemmeblokk
- (C) Utendig klemmeblokk
- (D) Installer alltid jordledning som er lengre enn andre kabler.
- (E) Strømledning
- (F) Ledning

- Lag jordingsledningen litt lengre enn de andre. (Mer enn 100 mm)
- For framtidig service, gi tilkoblingsledningene ekstra lengde.
- Sørg for å feste hver skrue i den korresponderende klemmen når ledningen og/eller kabelen festes til rekkeklemmen.

- Koble kabelen fra innendørsenheten korrekt til klemmeblokken.
- Bruk samme klemmeblokk og polaritet som på innendørsenheten.
- Gi ekstra lengde på tilkoblingskabelen for vedlikehold i etterhånd.

- Begge ender av tilkoblingskabelen (forlengelsesledning) er skrellet av. Når den er for lang, eller tilkoblet ved avkutting i midten, skal strømforsyningsledningen skrelles av til størrelsen gitt i figuren.
- Vær forsiktig slik at tilkoblingskabelen ikke berører rørsystemet.

### ⚠ FORSIKTIG:

- Utvis forsiktighet for å unngå feilkobling.
- Trekk til klemmeskrueene godt, slik at man unngår at de løsner.
- Etter tiltrekking, trekk lett i ledningene for å forsikre deg om at de ikke kan bevegese.

### ⚠ ADVARSEL:

- Sørg for å feste servicepanelet godt til utendørsenheten. Hvis det ikke er festet riktig, kan det føre til brann eller elektrisk støt på grunn av støv, vann, osv.
- Fest klemmeskrueene godt.
- Kabling må gjøres slik at strømledningene ikke utsettes for stress. Det kan ellers genereres varme eller oppstå brann.



## 6. Elektrisk arbeid

### 6.2. Feltelektriske ledninger

Utendørsenhet-modell	SUZ-SHWM30VAH/40VAH SUZ-SWM30VA/40VA2/60VA2	SUZ-SHWM60VAH SUZ-SWM80VA(H)2/SWM100VA(H)	
Utendørsenhetens strømkilde	~N (enkel), 50 Hz, 230 V	~N (enkel), 50 Hz, 230 V	
Utendørsenhetens inngangskapasitet Hovedbryter (avbryter)	*1 16 A	20 A	
Ledninger Ledning nr. x tykkelse (mm <sup>2</sup> )	Utendørsenhetens strømkilde	2 x Min. 2,5	2 x Min. 2,5
	Utendørsenhetens strømkilde jord	1 x Min. 2,5	1 x Min. 2,5
	Innendørsenhet-utendørsenhet	3 x 1,5 (polar)	3 x 1,5 (polar)
	Innendørsenhet-utendørsenhet jord	1 x Min. 1,5	1 x Min. 1,5
Krets bedømmelse	Utendørsenhet L-N	*2 230 VAC	230 VAC
	Innendørsenhet-utendørsenhet S1-S2	*2 230 VAC	230 VAC
	Innendørsenhet-utendørsenhet S2-S3	*2 12 VDC – 24 VDC	12 VDC – 24 VDC

\*1. Det skal følge med en avbryter med minst 3 mm kontaktseparasjon i hver pol. Bruk avbryter for uønsket jordkontakt (NV).

Sørg for at lekkasjestrømbryteren er kompatibel med høyere harmoniske oversvingninger.

Bruk alltid en lekkasjestrømbryter som er kompatibel med høyere harmoniske oversvingninger, ettersom denne enheten er utstyrt med en vekselretter.

Bruk av en utilstrekkelig avbryter kan forårsake at vekselretteren fungerer på feil måte.

\*2. Tallene er IKKE alltid mot jord.

S3-klemmen har 24 VDC mot S2-klemmen. Mellom S3 og S1 er imidlertid disse klemmene IKKE elektrisk isolert av transformatoren eller en annen enhet.

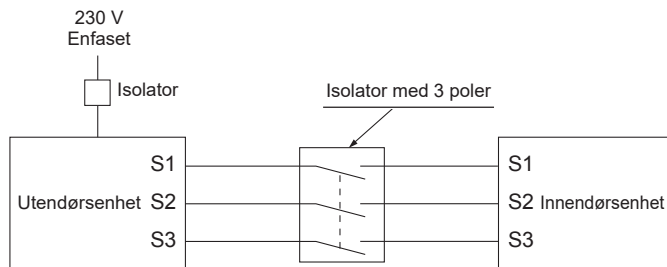
**Merknader:** 1. Ledningstørrelser må være i samsvar med gjeldende lokalt og nasjonalt regelverk.

2. Strømledninger og forbindelsesledninger mellom innendørs- og utendørsenhet skal ikke være lettere enn fleksibel ledning mantlet med polykloropren. (Design 60245 IEC 57)

3. Monter lengre jordledning enn andre ledninger.

4. Bruk selvslukkende distribusjonskabler til strømforsyningen.

5. Legg kablene slik at de ikke kommer borti kanten av platemetallet eller tuppen av en skrue.



### ⚠ ADVARSEL:

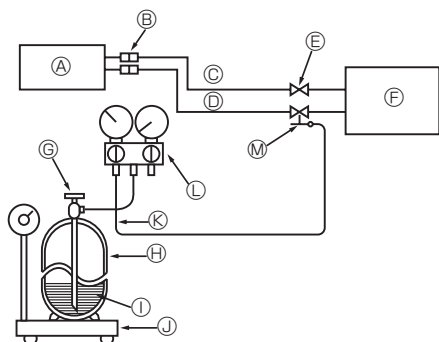
Det er mulighet for høy spenning på S3-klemmen. Dette skyldes at designet av den elektriske kretsen ikke har noen elektrisk isolering mellom strømledningen og kommunikasjonssignalledningen. Derfor må hovedstrømbryteren slås av ved service. Og, ikke rør S1-, S2- eller S3-klemmene når strømmen er på. Hvis det brukes isolator mellom innendørs- og utendørsenheten, må den være av typen med 3 poler.

Strømkabelen eller forbindelseskabelen mellom innendørs- og utendørsenheten må aldri skjøtes, for det kan føre til at det oppstår røyk, brann eller kommunikasjonssvikt.

Sørg for å kople innendørs-utendørs-forbindelseskablene direkte til enhetene (ingen mellomliggende koplinger).

Mellomkoplinger kan føre til kommunikasjonsfeil hvis det kommer vann inn i kablene, og forårsake utilstrekkelig isolasjon til jord eller dårlig elektrisk kontakt ved det mellomliggende koplingspunktet.

## 7. Vedlikehold



- |                                   |   |
|-----------------------------------|---|
| (A) Innendørsenhet                | (H) Gassflaske med kjølemedium for R32 med sifong |
| (B) Union                         | (I) Kjølemedium (væske)                           |
| (C) Væskerør                      | (J) Elektronisk skala for lading av kjølemedium   |
| (D) Gassrør                       | (K) Ladeslange (for R32)                          |
| (E) Stoppventil                   | (L) Målemanifoldsventil (for R32)                 |
| (F) Utendørsenhet                 | (M) Serviceport                                   |
| (G) Kjølegassylinder driftsventil |   |

### 7.1. Gassopplading (Fig. 7-1)

1. Koble gassflasken til stoppventilens serviceport (3-veis).
2. Spyl røret (eller slangen) som kommer fra kjølemediumgassflasken, med luft.
3. Etterfyll angitt mengde kjølemedium samtidig som luft-til-vann-varmepumpen kjøres i kjølemodus.

**Merk:**

Hvis det tilsettes kjølemedium, må mengden som er spesifisert for kjølesyklusen, overholdes.

### ⚠ FORSIKTIG:

- Tøm ikke kjølemediet ut i atmosfæren. Sørg for at kjølemediet ikke utskilles til atmosfæren under installasjon, reinstallerings eller reparasjon av kjølekretsene.
- Lad kjølemedium fra gassflaskens væskeenhet ved tilleggsloading. Hvis kjølemediet lades fra gassenheten, kan det forekomme endring i sammensetningen av kjølemediet i gassylindere og utendørsenheten. I dette tilfellet svekkes kjølesyklusens kjøleevne eller normal drift kan bli umulig. Lading av alt flytende kjølemedium på en gang kan imidlertid føre til at kompressoren låses. Ladingen av kjølemedium må derfor skje sakte.

For å opprettholde det høye trykket i gassflasken må gassflasken varmes med varmt vann (under 40 °C) i vinterhalvåret. Men bruk aldri åpen ild eller damp.

Fig. 7-1

## 8. Vannrørlegging

### 8.1. Minimum vannmengde

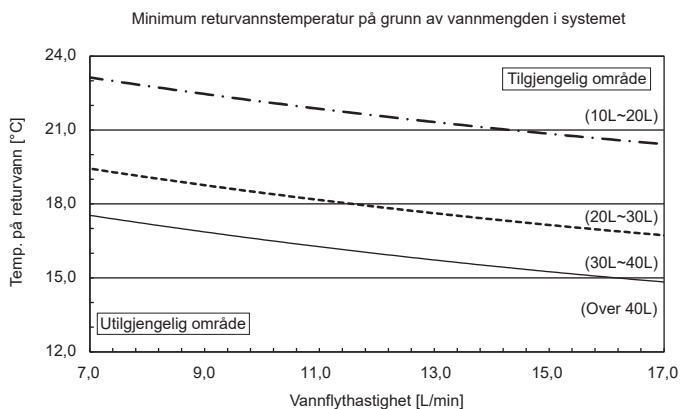
Se monteringshåndboken for innendørsenheten.

### 8.2. Tilgjengelig område (vannflythastighet, temp. returvann)

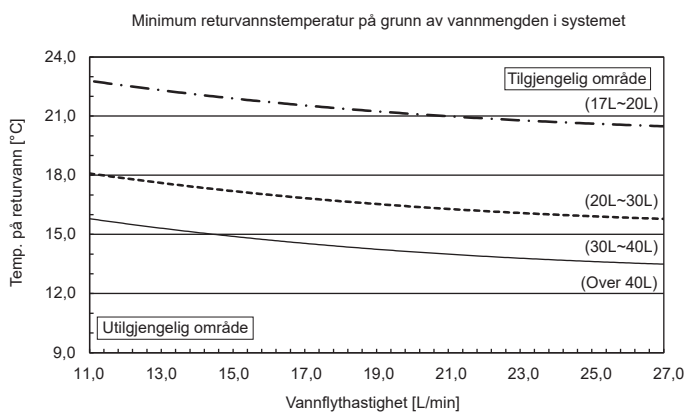
Kontroller at det er følgende vannstrømningshastighet og temperatur på returvannet i vannkretsen. Disse kurvene er knyttet til vannkvaliteten.

#### ■ Oppvarming

SUZ-SWM30VA SUZ-SHWM30VAH  
SUZ-SWM40VA2 SUZ-SHWM40VAH  
SUZ-SWM60VA2



SUZ-SWM80VA(H)2  
SUZ-SWM100VA(H)  
SUZ-SHWM60VAH

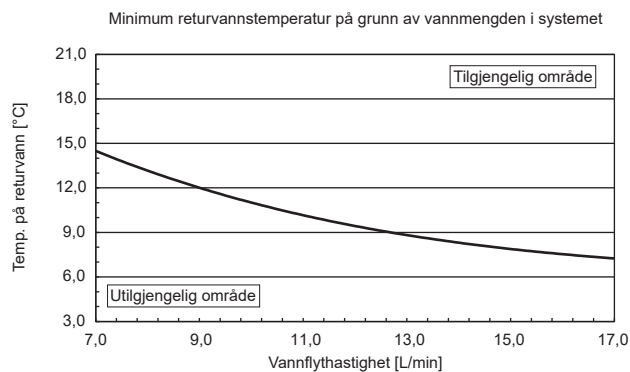


- Merk:**
- Sørg for å unngå det utilgjengelige området under avisning. Ellers blir utendørsenheten ikke tilstrekkelig avisert og/eller varmeveksleren til innendørsenheten kan fryse.
  - Strømningstemperaturen MÅ alltid være minimum 32 °C når utendørstemperaturen synker under -15 °C. Potensiell risiko for at platevarmeveksler fryser til og blir skadet, og også at utendørs varmeveksler fryser til pga. utilstrekkelig avisning.

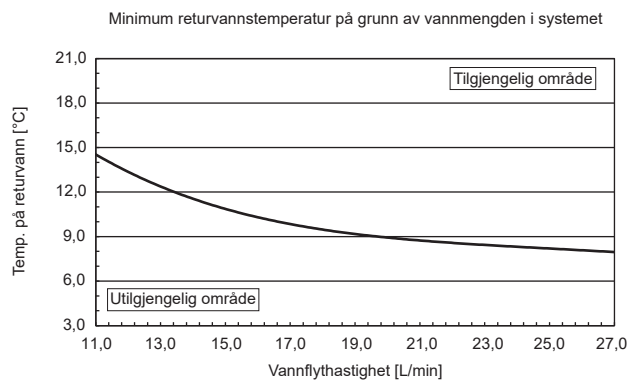
## 8. Vannrørlegging

### ■ Avkjøling

SUZ-SWM30VA SUZ-SHWM30VAH  
SUZ-SWM40VA2 SUZ-SHWM40VAH  
SUZ-SWM60VA2



SUZ-SWM80VA(H)2  
SUZ-SWM100VA(H)  
SUZ-SHWM60VAH



#### Merk:

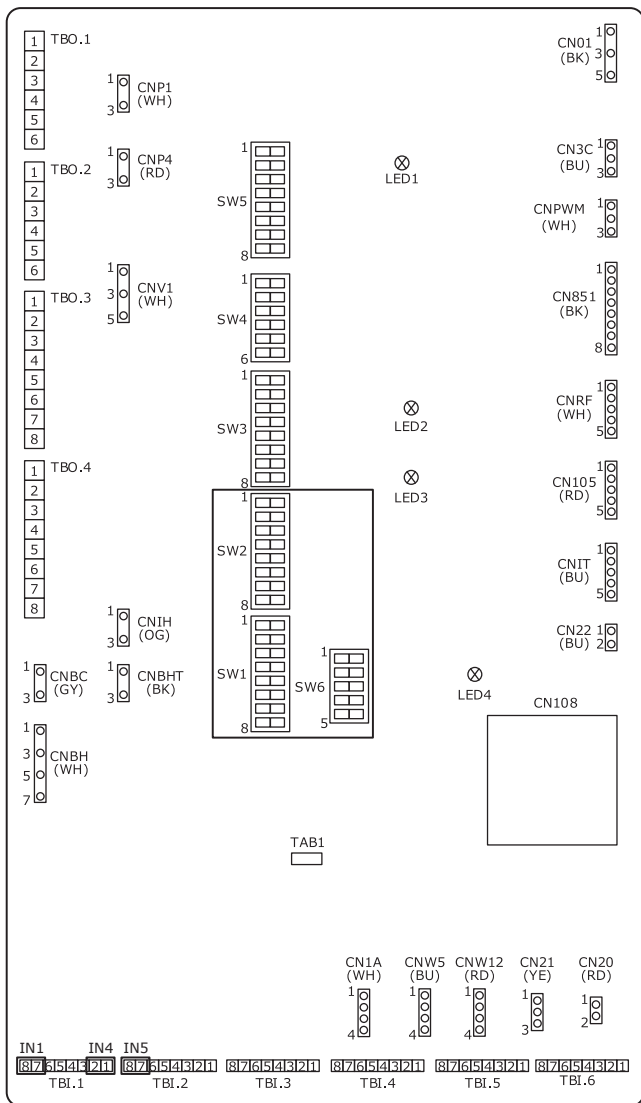
Sørg for å unngå det utilgjengelige området under avisning.

Ellers blir utendørsenheten ikke tilstrekkelig aviset og/eller varmeveksleren til innendørsenheten kan fryse.

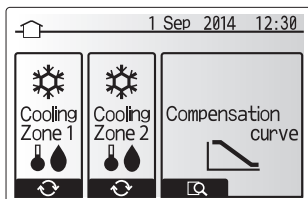
## 9. Nedpumping

Når utendørsenheten flyttes eller kasseres, må systemet pumpes ned i henhold til fremgangsmåten nedenfor, slik at det ikke slippes ut kjølemiddel i atmosfæren.

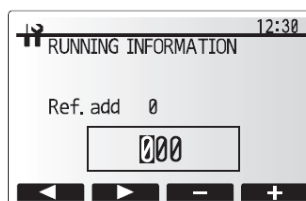
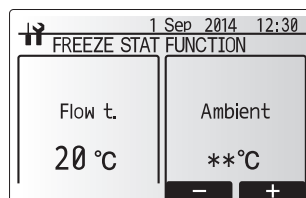
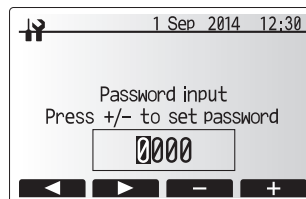
- ① Slå AV tilførselskretsen (inklusive innendørsenheten, varmeapparatet, utendørsenheten osv.)
- ② Koble målemanifoldventilen til serviceporten til stoppventilen på gassrørsiden av utendørsenheten.
- ③ Steng stoppventilen helt på væskesiden av utendørsenheten.
- ④ Endre innstillingene på innendørsenheten.
  - Sett DIP-bryteren SW1-3 på AV, SW2-4 på AV, SW2-4 på PÅ og SW6-3 på AV på innendørsenhetens kontrollpanel.
  - Koble fra signalinngangene IN1 (inngang for romtermostat 1), IN4 (inngang for etterspørselregulering) og IN5 (inngang for utendørstermostat).



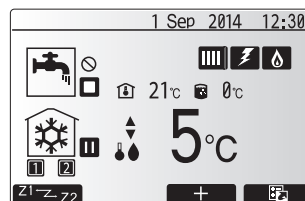
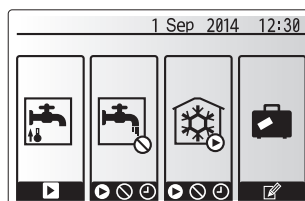
- ⑤ Slå PÅ hele tilførselskretsen.
- ⑥ På hovedmenyen på hovedkontrollenheten for innendørsenheten skal du velge "Heating/cooling mode" (oppvarmings-/avkjølingsmodus) → "Cooling flow temp." (kjølestrømtemperatur).



- ⑦ Velg "Service" på hovedmenyen, og endre innstillingen som vist nedenfor. Du blir bedt om å angi et passord. STANDARDPASSORDET FRA FABRIKKEN er "0000".
  - Velg "Operation settings" (driftsinnstillinger) → "Freeze stat function" (frysestat-funksjon), og sett deretter minimumstemperaturen for uteluften til \* (stjerne).
  - Velg "Running information" (løpende informasjon), og sett deretter Ref. add (referanseadresse) til 351.



- ⑧ Gjennomfør innsamlingen av kjølemiddel.
  - Trykk på "ON/OFF"-knappen (på/av) på hovedkontrollenheten.
  - Velg "Cooling ON" (avkjøling på) på alternativmenyen.
  - Sett måltemperaturen på 5 °C. Hvis systemet styres av en romtemperaturtermostat, skal du sette målromtemperaturen på 10 °C. Oppsamlingen av kjølemiddel starter etter 60 sekunder.
  - Du finner detaljer og annen informasjon om innstillingene til hovedkontrollenheten i monteringshåndboken eller brukerhåndboken for innendørsenheten.



Fortsetter på neste side.

## 9. Nedpumping

- ⑨ Steng stoppventilen på gassrørsiden av utendørsenheten helt når trykkmåleren viser 0,05 til 0 MPa [måler] (omtrent. 0,5 til 0 kgf/cm<sup>2</sup>) og stopp utendørsenheten raskt.
- Trykk på "ON/OFF"-knappen (på/av) på fjernkontrollen for å stoppe utendørsenheten.
  - \* Merk at når forlengelsesrørene er svært lange med store mengder kjølemiddel, kan det være umulig å utføre en nedpumping. I så fall må du bruke utstyr for gjenvinning av kjølemiddel til å samle opp alt kjølemiddelet i systemet.
- ⑩ Tilbakestill innstillingene på hovedkontrollenheten som ble endret i prosedyren ⑨ ovenfor.
- ⑪ Trykk på "ON/OFF"-knappen (på/av) på hovedkontrollenheten på innendørsenheten i omtrent 3 sekunder for å stanse enheten.
- ⑫ Tilbakestill innstillingene på hovedkontrollenheten som ble endret gjennom en annen prosedyre enn ⑨.
- \* Tilbakestill "Running information" (løpende informasjon): Sett Ref. add (referanseadresse) til 350.
- ⑬ Slå AV alle tilførselskretser og sett innstillingene av DIP-bryteren på innendørsenheten tilbake til det de var.
- ⑭ Fjern målemanifoldventilen og kople deretter fra kjølemiddelrørene.



### ADVARSEL:

Hvis det er lekkasje i kjølekretsen, skal det IKKE utføres nedpumping med kompressoren.

Når kjølemedium pumpes ned, må kompressoren stanses før kjølemediumrørene kobles fra.

- Hvis kjølemiddelrørene frakobles mens kompressoren er i drift og stengeventilen (kuleventil) er åpen, blir trykket i kjølekretsen ekstremt høy hvis det trekkes inn luft, noe som kan føre til at rørene sprekker, personskaade osv.



### FORSIKTIG:

Du må IKKE bruke denne AVKJØLING-modusen ved tilkobling til en innendørsenhet som ikke tillater AVKJØLING-modus til andre formål enn nedpumping.

## 10. Spesifikasjoner

Utendørsmodell		SUZ-SWM30VA	SUZ-SHWM30VAH	SUZ-SWM40VA2	SUZ-SHWM40VAH	SUZ-SWM60VA2
Strømforsyning	V / Fase / Hz	230 / Enkel / 50				
Størrelse (B × H × D)	mm	800 × 714 × 285				
Lydnivå (Varme)	*1 dB(A)	57	57	57	58	60
	*2 dB(A)	54	54	54	55	56

Utendørsmodell		SUZ-SHWM60VAH	SUZ-SWM80VA(H)2	SUZ-SWM100VA(H)
Strømforsyning	V / Fase / Hz	230 / Enkel / 50		
Størrelse (B × H × D)	mm	840 × 880 × 330		
Lydnivå (Varme)	*1 dB(A)	60	60	62
	*2 dB(A)	58	59	60

\*1. Målt under nominell driftsfrekvens ved omgivelsestemperatur 7 °C DB / 6 °C WB og utløpsvann 55 °C

\*2. Målt i henhold til EN12102 under vilkårene for EN14825

EU DECLARATION OF CONFORMITY  
EU-KONFORMITÄTSEKTLÄRUNG  
DÉCLARATION DE CONFORMITÉ UE  
EU-CONFORMITEITSVERKLARING  
DECLARACIÓN DE CONFORMIDAD UE  
DICHIARAZIONE DI CONFORMITÀ UE  
ΔΗΛΩΣΗ ΣΥΜΜΟΡΦΩΣΗΣ ΕΕ  
DECLARAÇÃO DE CONFORMIDADE UE  
EU-OVERENSSTEMMELSESEKTLÆRING

EG-DEKLARATION OM ÖVERENSSTÄMMELSE  
AV UYGUNLUK BEYAN  
ДЕКЛАРАЦИЯ СООТВЕТСТВИЯ НОРМАМ ЕС  
ДЕКЛАРАЦІЯ ВІДПОВІДНОСТІ ВИМОГАМ ЄС  
ЕС ДЕКЛАРАЦІЯ ЗА СЪОТВЕТСТВИЕ  
DEKLARACJA ZGODNOŚCI UE  
EU-ERKLÆRING OM SAMSVAR  
EU-VAATIMUSTENMUKAISUUSVAKUUTUS  
EU PROHLÁŠENÍ O SHODĚ

EÚ VYHLÁŠENIE O ZHODE  
EU MEGFELELŐSÉGI NYILATKOZAT  
IZJAVA EU O SKLADNOSTI  
DECLARAȚIE DE CONFORMITATE UE  
EL-I VASTAVUSDEKLARATSIOON  
ES ATBILSTĪBAS DEKLARĀCIJA  
ES ATITIKTIES DEKLARĀCIJA  
EU IZJAVA O SUKLADNOSTI  
EU IZJAVA O USAGLAŠENOSTI

**MITSUBISHI ELECTRIC CONSUMER PRODUCTS (THAILAND) CO., LTD**  
**700/406 MOO 7, TAMBON DON HUA ROH, AMPHUR MUANG, CHONBURI 20000, THAILAND**

hereby declares under its sole responsibility that the air conditioner(s) and heat pump(s) for use in residential, commercial, and light-industrial environments described below:  
erklärt hiermit auf seine alleinige Verantwortung, dass die Klimaanlage(n) und Wärmepumpe(n) für das häusliche, kommerzielle und leichtindustrielle Umfeld wie unten beschrieben:  
déclare par la présente et sous sa propre responsabilité que le(s) climatiseur(s) et la/les pompe(s) à chaleur destinés à un usage dans des environnements résidentiels, commerciaux et d'industrie légère décrits ci-dessous :  
verklaart hierbij onder eigen verantwoordelijkheid dat de voor huishoudelijke, handels- en lichtindustriële omgevingen bestemde airconditioner(s) en warmtepomp(en) zoals onderstaand beschreven:

por la presente declara, bajo su exclusiva responsabilidad, que el(los) acondicionador(es) de aire y la(s) bomba(s) de calor previsto(s) para su uso en entornos residenciales, comerciales y de industria ligera que se describen a continuación:

conferma con la presente, sotto la sua esclusiva responsabilità, che i condizionatori d'aria e le pompe di calore destinati all'utilizzo in ambienti residenziali, commerciali e semi-industriali e descritti di seguito:

με το παρόν δηλώνει με αποκλειστική ευθύνη ότι το ή τα κλιματιστικά και η ή οι αντλίες θερμότητας για χρήση σε οικιακά, εμπορικά και επαγγελματικά περιβάλλοντα που περιγράφονται παρακάτω:

declara pela presente, e sob sua exclusiva responsabilidade, que o(s) aparelho(s) de ar condicionado e a(s) bomba(s) de calor destinados a utilização em ambientes residenciais, comerciais e de indústria ligeira descritos em seguida:

erklærer hermed under eneansvar, at det/de herunder beskrevne airconditionanlæg og varmepumpe(r) til brug i beboelses- og erhvervs miljøer samt i miljøer med let industri:

intyggar härmed att luftkonditioneringarna och värmepumparna som beskrivs nedan för användning i bostäder, kommersiella miljöer och lätta industriella miljöer:

ev, ticaret ve hafif sanayi ortamlarında kullanıma yönelik aşağıda açıklanan klima ve ısıtma pompalarıyla ilgili aşağıdaki hususları yalnızca kendi sorumluluğunda olmak üzere beyan eder:

настоящим заявляет под свою исключительную ответственность, что кондиционер (-ы) и тепловой (-ые) насос (-ы) для использования в описанных ниже жилых, коммерческих и небольших складских и промышленных помещениях:

цим заявляю, беручи на себе повну відповідальність за це, що кондиціонер (-и) й тепловий (-и) насос (-и), описані нижче й призначені для використання в житлових приміщеннях, торговельних залах і на підприємствах легкої промисловості:

декларира с настоящата на своя собствена отговорност, че климатикъ(т)е и термомпата(ите), посочени по-долу и предназначени за употреба в жилищни, търговски и лекопромишлени среди:

niniejszym oświadczam na swoją wyłączną odpowiedzialność, że klimatyzatory i pompy ciepła do zastosowań w środowisku mieszkalnym, handlowym i lekko przemysłowym opisane poniżej:

erklærer et fullstendig ansvar for undernevnte klimaapparat og varmepumper ved bruk i boliger, samt kommersielle og lettindustrielle miljøer:

vakuuttaa täten yksinomaista vastuutaan, että jäljempänä kuvutat asuinrakennuksiin, pientaloisuuskäyttöön ja kaupalliseen käyttöön tarkoitettuihin ilmastointilaitteisiin ja lämpöpumput:

tímto na vlastní odpovědnost prohlašuje, že níže popsané klimatizační jednotky a tepelná čerpadla pro použití v obytných prostředích, komerčních prostředích a prostředích lehkého průmyslu:

týmto na svoju výlučnú zodpovednosť vyhlasuje, že nasledovné klimatizačné jednotky a tepelné čerpadlá určené na používanie v obytných a obchodných priestoroch a v prostredí ľahkého priemyslu:

alulírott kizárólagos felelősségére nyilatkozik, hogy az alábbi lakossági, kereskedelmi és kisipari környezetben való használatra szánt klímaberendezés(ek) és hőszivattyú(k):

na lastno odgovornost izjavlja, da so spodaj opisane klimatske naprave in toplotne črpalke, namenjene za uporabo v stanovanjskih, poslovnih in lahkoindustrijskih okoljih:

declară prin prezenta, pe proprie răspundere, faptul că aparatele de climatizare și pompele de căldură descrise mai jos și destinate utilizării în medii rezidențiale, comerciale și din industria ușoară:

kinnitab oma ainuvastutust, et allpool toodud elu-, äri- ja kergtööstuskeskkondades kasutamiseks mõeldud kliimaseadmed ja soojuspumbad:

ar šo, vienpersoniski uzņemoties atbildību, paziņo, ka tālāk aprakstītais(-tie) gaisa kondicionētājs(-i) un siltumsūkņis(-i) ir paredzēti lietošanai dzīvojamajās, komercdarbības un vieglās rūpniecības telpās, kas aprakstītas tālāk:

šiuo vien tik savo atsakomybe pareiškia, kad toliau apibūdintas (-i) oro kondicionierius (-iai) ir šilumos siurblys (-iai), skirtas (-i) naudoti toliau apibūdintose gyvenamosiose, komercinėse ir lengvosios pramonės aplinkose:

ovime izjavljuje pod isključivom odgovornošću da je/su klimatizacijski uređaji(i) i toplinska dizalica(e) opisan(i) u nastavku namijenjen(i) za upotrebu u stambenim i poslovnim okruženjima te okruženjima lake industrije:

ovim izjavljuje na svoju isključivu odgovornost da su klima-uređaji i toplotne pumpe za upotrebu u stambenim, komercijalnim okruženjima i okruženjima lake industrije opisani u nastavku:

**MITSUBISHI ELECTRIC, SUZ-SWM30VA\*, SUZ-SWM40VA\*, SUZ-SWM60VA\*, SUZ-SWM80VA\*, SUZ-SWM100VA\***  
**SUZ-SHWM30VAH\*, SUZ-SHWM40VAH\*, SUZ-SHWM60VAH\*, SUZ-SWM80VAH\*, SUZ-SWM100VAH\***  
**\* : , , 1, 2, 3, , , , 9**

is/are in conformity with provisions of the following Union harmonisation legislation.  
die Bestimmungen der folgenden Harmonisierungsrechtsvorschriften der Union erfüllen/

erfüllen.  
est/sont conforme(s) aux dispositions de la législation d'harmonisation de l'Union

suivante.  
voldoet/voldoen aan bepalingen van de volgende harmonisatiewetgeving van de Unie.

cumple(n) con las disposiciones de la siguiente legislación de armonización de la Unión.

sono in conformità con le disposizioni della seguente normativa dell'Unione sull'armonizzazione.

συμμορφώνονται με τις διατάξεις της ακόλουθης νομοθεσίας εναρμόνισης της Ένωσης.

está/estão em conformidade com as disposições da seguinte legislação de harmonização da União.

er i overensstemmelse med bestemmelse i følgende harmoniserede EU-lovgivning.

uppfyller villkoren i följande harmoniserade föreskrifter inom unionen.

აşağıdaki Avrupa Birliği uyumlaştırma mevzuatının hükümlerine uygundur.

соответствуют положениям следующих законодательных актов Союза о гармонизации.

2014/35/EU: Low Voltage Directive  
2006/42/EC: Machinery Directive  
2014/30/EU: Electromagnetic Compatibility Directive  
2011/65/EU, (EU) 2015/863 and (EU) 2017/2102: RoHS Directive  
2009/125/EC: Energy-related Products Directive and Regulation (EU) No 813/2013

відповідають положенням вказаного далі законодавства Союзу щодо гармонізації.  
е/са в съответствие с разпоредбите на следното законодателство на Съюза за

хармонизация.  
są zgodne z przepisami następującego unijnego prawodawstwa harmonizacyjnego.

er i samsvar med forskriftene til følgende EU-lovgivning om harmonisering.

ovat seuraavan unionin yhdenmukaistamislainsäädännön säännösten mukaisia.

jsou v souladu s ustanoveními následujících harmonizačních právních předpisů Unie.

spĺňajú ustanovenia nasledujúcich harmonizovaných noriem EÚ.

megfelel(nek) az Unió alábbi harmonizációs jogszabályi előírásainak.

in skladu z določbami naslednje usklajevalne zakonodaje Unije.

sunt în conformitate cu dispozițiile următoare legislații de armonizare a Uniunii.

vastavad järgmiste Euroopa Liidu ühtlustatud õigusaktide sätetele.

atbilst šādiem ES harmonizētājiem tiesību aktu noteikumiem.

taip pat atitinka kitų toliau išvardytų suderintųjų Sąjungos direktyvų nuostatas.

sukladan(i) odredbama sljedećeg zakonodavstva Unije za sukladnost.

u skladu sa odredbama sledećeg usklađivanja zakonodavstva Unije.

## <ENGLISH>

English is original. The other languages versions are translation of the original.

### ▲ CAUTION

- Refrigerant leakage may cause suffocation. Provide ventilation in accordance with EN378-1.
- Be sure to wrap insulation around the piping. Direct contact with the bare piping may result in burns or frostbite.
- Never put batteries in your mouth for any reason to avoid accidental ingestion.
- Battery ingestion may cause choking and/or poisoning.
- Install the unit on a rigid structure to prevent excessive operation sound or vibration.
- The A-weighted sound pressure level is below 70dB.
- This appliance is intended to be used by expert or trained users in shops, in light industry and on farms, or for commercial use by lay persons.

## <DEUTSCH>

Das Original ist in Englisch. Die anderen Sprachversionen sind vom Original übersetzt.

### ▲ VORSICHT

- Wenn Kältemittel austritt, kann dies zu Ersticken führen. Sorgen Sie in Übereinstimmung mit EN378-1 für Durchlüftung.
- Die Leitungen müssen isoliert werden. Direkter Kontakt mit nicht isolierten Leitungen kann zu Verbrennungen oder Erfrierungen führen.
- Nehmen Sie niemals Batterien in den Mund, um ein versehentliches Verschlucken zu vermeiden.
- Durch das Verschlucken von Batterien kann es zu Erstickungen und/oder Vergiftungen kommen.
- Installieren Sie das Gerät auf einem stabilen Untergrund, um übermäßige Betriebsgeräusche oder -schwingungen zu vermeiden.
- Der A-gewichtete Schalldruckpegel ist niedriger als 70dB.
- Dieses Gerät ist vorgesehen für die Nutzung durch Fachleute oder geschultes Personal in Werkstätten, in der Leichtindustrie und in landwirtschaftlichen Betrieben oder für die kommerzielle Nutzung durch Laien.

## <FRANÇAIS>

L'anglais est l'original. Les versions fournies dans d'autres langues sont des traductions de l'original.

### ▲ PRECAUTION

- Une fuite de réfrigérant peut entraîner une asphyxie. Fournissez une ventilation adéquate en accord avec la norme EN378-1.
- Assurez-vous que la tuyauterie est enveloppée d'isolant. Un contact direct avec la tuyauterie nue peut entraîner des brûlures ou des engelures.
- Ne mettez jamais des piles dans la bouche pour quelque raison que ce soit pour éviter de les avaler par accident.
- Le fait d'ingérer des piles peut entraîner un étouffement et/ou un empoisonnement.
- Installez l'appareil sur une structure rigide pour prévenir un bruit de fonctionnement et une vibration excessifs.
- Le niveau de pression acoustique pondéré est en dessous de 70 dB.
- Cet appareil est conçu pour un utilisateur expert ou les utilisateurs formés en magasin, dans l'industrie légère et dans l'agriculture ou dans le commerce par le profane.

## <NEDERLANDS>

Het Engels is het origineel. De andere taalversies zijn vertalingen van het origineel.

### ▲ VOORZICHTIG

- Het lekken van koelvoelstof kan verstikking veroorzaken. Zorg voor ventilatie in overeenstemming met EN378-1.
- Isoleer de leidingen met isolatiemateriaal. Direct contact met de onbedekte leidingen kan leiden tot brandwonden of bevriezing.
- Stop nooit batterijen in uw mond om inslikking te voorkomen.
- Het inslikken van batterijen kan verstikking of vergiftiging veroorzaken.
- Installeer het apparaat op een stabiele structuur om overmatig lawaai of trillingen te voorkomen.
- Het niveau van de geluidsdruk ligt onder 70 dB(A).
- Dit apparaat is bedoeld voor gebruik door ervaren of opgeleide gebruikers in werkplaatsen, in de lichte industrie en op boerderijen, of voor commercieel gebruik door leken.

## <ESPAÑOL>

El idioma original del documento es el inglés. Las versiones en los demás idiomas son traducciones del original.

### ▲ CUIDADO

- Las pérdidas de refrigerante pueden causar asfixia. Se debe proporcionar la ventilación determinada en EN378-1.
- Asegúrese de colocar el aislante alrededor de las tuberías. El contacto directo con la tubería puede ocasionar quemaduras o congelación.
- Para evitar una ingestión accidental, no coloque las pilas en su boca bajo ningún concepto.
- La ingestión de las pilas puede causar asfixia y/o envenenamiento.
- Coloque la unidad en una estructura rígida para evitar que se produzcan sonidos o vibraciones excesivos debidos a su funcionamiento.
- El nivel de presión acústica ponderado A es inferior a 70 dB.
- Este aparato está destinado a su uso por parte de usuarios expertos o capacitados en talleres, industrias ligeras y granjas, o a su uso comercial por parte de personas no expertas.

## <ITALIANO>

Il testo originale è redatto in lingua Inglese. Le altre versioni linguistiche rappresentano traduzioni dell'originale.

### ▲ ATTENZIONE

- Le perdite di refrigerante possono causare asfissia. Prevedere una ventilazione adeguata in conformità con la norma EN378-1.
- Accertarsi di applicare materiale isolante intorno alle tubature. Il contatto diretto con le tubature non schermate può provocare ustioni o congelamento.
- Non introdurre in nessun caso le batterie in bocca onde evitare ingestioni accidentali.
- L'ingestione delle batterie può provocare soffocamento e/o avvelenamento.
- Installare l'unità su una struttura rigida in modo da evitare rumore o vibrazioni eccessivi durante il funzionamento.
- Il livello di pressione del suono ponderato A è inferiore a 70dB.
- Questa apparecchiatura è destinata all'utilizzo da parte di utenti esperti o addestrati in negozi, industria leggera o fattorie oppure a un uso commerciale da parte di persone non esperte.

## <ΕΛΛΗΝΙΚΑ>

Η γλώσσα του πρωτοτύπου είναι η αγγλική. Οι εκδόσεις άλλων γλωσσών είναι μεταφράσεις του πρωτοτύπου.

### ▲ ΠΡΟΣΟΧΗ

- Η διαρροή του ψυκτικού ενδέχεται να προκαλέσει ασφυξία. Φροντίστε για τον εξαερισμό σύμφωνα με το πρότυπο EN378-1.
- Φροντίστε να τυλίξετε με μονωτικό υλικό τη σωλήνωση. Η απευθείας επαφή με τη γυμνή σωλήνωση ενδέχεται να προκαλέσει εγκαύματα ή κρυοπαγήματα.
- Μη βάζετε ποτέ τις μπαταρίες στο στόμα σας για κανένα λόγο ώστε να αποφύγετε την κατά λάθος κατάποσή τους.
- Η κατάποση μπαταριών μπορεί να προκαλέσει πνιγμό ή/και δηλητηρίαση.
- Εγκαταστήστε τη μονάδα σε σταθερή κατασκευή ώστε να αποφύγετε τον έντονο ήχο λειτουργίας ή τους κραδασμούς.
- Η Α-σταθμισμένη στάθμη ηχητικής πίεσης είναι κάτω των 70dB.
- Η Α-σταθμισμένη στάθμη ηχητικής πίεσης είναι κάτω των 70dB.
- Η συσκευή αυτή προορίζεται για χρήση από εμπειρογούς ή εκπαιδευμένους χρήστες σε καταστήματα, στην ελαφριά βιομηχανία και σε αγροκτήματα, ή για εμπορική χρήση από άτομα τα οποία δεν είναι ειδήμονες.

## <PORTUGUÊS>

O idioma original é o inglês. As versões em outros idiomas são traduções do idioma original.

### ▲ CUIDADO

- A fuga de refrigerante pode causar asfixia. Garanta a ventilação em conformidade com a norma EN378-1.
- Certifique-se de que envolve as tubagens com material de isolamento. O contacto directo com tubagens não isoladas pode resultar em queimaduras ou ulcerações provocadas pelo frio.
- Nunca coloque pilhas na boca, por nenhum motivo, para evitar a ingestão accidental.
- A ingestão de uma pilha pode causar obstrução das vias respiratórias e/ou envenenamento.
- Instale a unidade numa estrutura robusta, de forma a evitar ruídos ou vibrações excessivos durante o funcionamento.
- O nível de pressão sonora ponderado A é inferior a 70 dB.
- Este equipamento destina-se a ser utilizado por especialistas ou utilizadores com formação em lojas, na indústria ligeira e em quintas, ou para utilização comercial por leigos.

## <DANSK>

Engels er originalen. De andre sprogversioner er oversættelser af originalen.

### ▲ FORSIGTIG

- Lækage af kølemiddel kan forårsage kvælning. Sørg for udluftning i overensstemmelse med EN378-1.
- Sørg for at pakke rørene ind i isolering. Direkte kontakt med ubeklædte rør kan forårsage forbrændinger eller forfrysninger.
- Batterier må under ingen omstændigheder tages i munden for at forhindre utilsigtet indtagelse.
- Indtagelse af batterier kan forårsage kvælning og/eller forgiftning.
- Installer enheden på en fast struktur for at forhindre for høje driftslyde eller vibrationer.
- Det A-vægtede lydtrykniveau er under 70dB.
- Dette apparat er beregnet til at blive brugt af eksperter eller udlærte brugere i butikker, inden for let industri og på gårde eller til kommerciel anvendelse af lægmænd.

## <SVENSKA>

Engelska är originalspråket. De övriga språkversionerna är översättningar av originalet.

### ▲ FÖRSIKTIGHET

- Köldmedelsläckage kan leda till kvävning. Tillhandahåll ventilation i enlighet med EN378-1.
- Kom ihåg att linda isolering runt rören. Direktkontakt med bara rör kan leda till brännskador eller köldskador.
- Stoppa aldrig batterier i munnen, de kan sväljas av misstag.
- Om ett batteri sväljs kan det leda till kvävning och/eller förgiftning.
- Montera enheten på ett stadigt underlag för att förhindra höga driftljud och vibrationer.
- Den A-vägdade ljudtrycksnivån är under 70dB.
- Denna apparat är ämnad för användning av experter eller utbildade användare i affärer, inom lätt industri och på lanbruk, eller för kommersiell användning av lekmän.

## <TÜRKÇE>

Aslı İngilizce'dir. Diğer dillerdeki sürümler aslının çevirisidir.

### ▲ DİKKAT

- Soğutucu kaçağı boğulmaya neden olabilir. EN378-1 uyarınca uygun havalandırma sağlayın.
- Borular etrafına yalıtım yapıldığından emin olun. Borulara doğrudan çıplak elle dokunulması yanıklara veya soğuk ısırıklarına neden olabilir.
- Kazara yutmamak için, pilleri kesinlikle hiçbir amaçla ağzınızda tutmayın.
- Pillerin yutulması boğulmaya ve/veya zehirlenmeye yol açabilir.
- Aşırı çalıma seslerini veya titreşimi önlemek için, üniteyi sağlam bir yapı üzerine monte edin.
- A ağırıklı ses gücü seviyesi 70dB'nin altındadır.
- Bu cihaz tıbbiyleerde, hafif endüstriyel tesislerde ve çiftliklerde uzman veya eğitimli kullanıcılar tarafından kullanılmak üzere veya normal kullanıcılar tarafından ticari kullanım için tasarlanmıştır.

## <РУССКИЙ>

Языком оригинала является английский. Версии на других языках являются переводом оригинала.

### ▲ ОСТОРОЖНО

- Утечка хладагента может стать причиной удушья. Обеспечьте вентиляцию в соответствии с EN378-1.
- Обязательно оберните трубы изоляционным материалом. Непосредственный контакт с неизолированным трубопроводом может привести к ожогам или обморожению.
- Запрещается класть элементы питания в рот по каким бы то ни было причинам во избежание случайного проглатывания.
- Попадание элемента питания в пищеварительную систему может стать причиной удушья и/или отравления.
- Устанавливайте устройство на жесткую структуру во избежание чрезмерного шума или чрезмерной вибрации во время работы.
- Уровень звукового давления по шкале A не превышает 70 дБ.
- Данное устройство предназначено для использования специалистами или обученным персоналом в магазинах, на предприятиях легкой промышленности и фермах или для коммерческого применения неспециалистами.

## <УКРАЇНСЬКА>

Переклад оригіналу. Текст іншими мовами є перекладом оригіналу.

### ▲ ОБЕРЕЖНО

- Виток холодагента може призвести до удушся. Необхідно забезпечити вентиляцію відповідно до стандарту EN 378-1.
- Труби необхідно обмотати ізоляційним матеріалом. Прямий контакт із непокритою трубою може призвести до опіку або обмороження.
- Забороняється класти елементи живлення в рот із будь-яких причин, оскільки є ризик випадково їх проковтнути.
- Попадання елемента живлення в травну систему може стати причиною задхуки та/або отруєння.
- Встановлюйте блок на міцній конструкції, щоб уникнути надмірного рівня звуку роботи або вібрації.
- Рівень амплітудно зваженого акустичного тиску становить нижче 70 дБ.
- Цей прилад призначається для використання спеціалістами або особами, що пройшли відповідне навчання, у кранницях, легкій промисловості та сільськогосподарських підприємствах, а також для комерційного використання неспеціалістами.

## <БЪЛГАРСКИ>

Оригиналът е текстът на английски език. Версиите на други езици са преводи на оригинала.

### ▲ ВНИМАНИЕ

- Изтичането на хладилен агент може да причини задушаване. Осигурете вентилация съобразно с EN378-1.
- Не забравяйте да уветите изолация около тръбите. Директният контакт с оголени тръби може да причини изгаряне или измръзване.
- При никакви обстоятелства не поставяйте батериите в устата си, за да не ги поглънете по невнимание.
- Това може да доведе до задушаване и/или натравяне.
- Монтирайте тялото върху твърда конструкция, за да предотвратите прекомерен шум или вибрации по време на работа.
- А-претегленото ниво на звуково налягане е под 70 dB.
- Този уред е предназначен за използване от експерти или обучени потребители в магазини, в леката промисленост и във ферми, или за търговска употреба от неспециалисти.





Please be sure to put the contact address/telephone number on this manual before handing it to the customer.

**mitsubishi electric corporation**

HEAD OFFICE: TOKYO BUILDING, 2-7-3, MARUNOUCHI, CHIYODA-KU, TOKYO 100-8310, JAPAN

# Air to Water Heat Pump SUZ-SWM·VA(H) series SUZ-SHWM·VAH series

INSTALLATION MANUAL	FOR INSTALLER	English
INSTALLATIONSHANDBUCH	FÜR INSTALLATEURE	Deutsch
MANUEL D'INSTALLATION	POUR L'INSTALLATEUR	Français
INSTALLATIEHANDLEIDING	VOOR DE INSTALLATEUR	Nederlands
MANUAL DE INSTALACIÓN	PARA EL INSTALADOR	Español
MANUALE DI INSTALLAZIONE	PER L'INSTALLATORE	Italiano
ΕΓΧΕΙΡΙΔΙΟ ΟΔΗΓΙΩΝ ΕΓΚΑΤΑΣΤΑΣΗΣ	ΓΙΑ ΑΥΤΟΝ ΠΟΥ ΚΑΝΕΙ ΤΗΝ ΕΓΚΑΤΑΣΤΑΣΗ	Ελληνικά
MANUAL DE INSTALAÇÃO	PARA O INSTALADOR	Português
INSTALLATIONSMANUAL	TIL INSTALLATØREN	Dansk
INSTALLATIONSMANUAL	FÖR INSTALLATÖREN	Svenska
MONTAJ ELKİTABI	MONTÖR İÇİN	Türkçe
РУКОВОДСТВО ПО УСТАНОВКЕ	ДЛЯ УСТАНОВИТЕЛЯ	Русский
ПОСІБНИК З УСТАНОВЛЕННЯ	ДЛЯ СПЕЦІАЛІСТА З МОНТАЖУ	Українська
РЪКОВОДСТВО ЗА МОНТАЖ	ЗА МОНТАЖНИКА	Български
INSTRUKCJA MONTAŻU	DLA INSTALATORA	Polski
INSTALLASJONSHÅNDBOK	FOR MONTØR	Norsk
ASENNUSOPAS	ASENTAJALLE	Suomi
INSTALAČNÍ PŘÍRUČKA	PRO MONTÁŽNÍ PRACOVNÍKY	Čeština
NÁVOD NA INŠTALÁCIU	PRE MONTÉRA	Slovenčina
TELEPÍTÉSI KÉZIKÖNYV	A TELEPÍTŐ RÉSZÉRE	Magyar
NAMESTITVENI PRIROČNIK	ZA MONTERJA	Slovenščina
MANUAL DE INSTALARE	PENTRU INSTALATOR	Română
PAIGALDUSJUHEND	PAIGALDAJALE	Eesti
MONTĀŽAS ROKASGRĀMATA	UZSTĀDĪŠANAS SPECIĀLISTAM	Latviski
MONTAVIMO VADOVAS	SKIRTA MONTUOTOJUI	Lietuviškai
PRIRUČNIK ZA POSTAVLJANJE	ZA INSTALATERA	Hrvatski
UPUTSTVO ZA UGRADNJU	ZA MONTERA	Srpski

1. Turvallisuusohjeet	1	6. Sähkötekniset työt	9
2. Asennuspaikan valinta	3	7. Huolto	10
3. Asennuskaavio	5	8. Vesiputkityöt	11
4. Ulkoyksikön poistoputki	5	9. Tyhjennys pumppaamalla	13
5. Kylmäaineputkien asennus	6	10. Tekniset tiedot	14



**Huomautus: Tämä kuvake koskee vain EU-maita.**

Tämä symboli on direktiivin 2012/19/EU käyttäjille annettavia tietoja koskevan 14 artiklan ja liitteen IX mukainen.

mitsubishi electric -tuote on suunniteltu ja valmistettu käyttämällä korkealaatuisia materiaaleja ja komponentteja, jotka voidaan kierrättää ja käyttää uudelleen.

Symboli tarkoittaa, että sähkö- ja elektroniikkaosat on niiden käyttöönsä lopussa hävitettävä erillään muusta kotitalousjätteestä.

Hävitä tämä laitteisto paikallisten määräysten mukaisesti toimittamalla se jätehuoltopisteeseen tai kierrätyskeskukseen.

Euroopan unionissa on erilliset keruujärjestelmät käytettyjä sähkö- ja elektroniikkatuotteita varten.

Auta meitä suojelemaan elinympäristöämme!



## HUOMIO:

- Älä päästä R32-kylmäainetta ilmakehään.

## 1. Turvallisuusohjeet

- Lue "Turvallisuusohjeet" ennen yksikön asentamista.
- Ilmoita asennuksesta sähköjärjestelmän vastuuhenkilölle ja hanki häneltä asiaankuuluva valtuutus ennen järjestelmän kytkemistä.

Kun asennustyöt on tehty, selvitä asiakkaalle "Turvallisuusohjeet", yksikön käyttö ja huolto. Käyttöoppaassa olevien tietojen mukaan ja suoria koekäyttöä asianmukaisen toiminnan varmistamiseksi. Sekä Asennusopas että Käyttöopas on annettava käyttäjän haltuun säilyttämistä varten. Nämä ohjekirjat on annettava edelleen seuraaville käyttäjille.



: Ilmoittaa osan, joka on maadoitettava.



## VAROITUS:

Lue huolellisesti pääyksikköön kiinnitetyt tarrat.

☉ : Näyttää varoitukset ja seikat, jotka tulee huomioida R32-kylmäaineen käytön aikana.



## VAROITUS:

Tämän varoituksen avulla esitellään varotoimenpiteet, jotka tulee huomioida käyttäjän loukkaantumisen tai hengenvaaran estämiseksi.



## HUOMIO:

Tämän huomautuksen avulla esitellään varotoimenpiteet, jotka tulee huomioida laitteen vahingoittumisen estämiseksi.

## SISÄ- JA/TAI ULKOYKSIKKÖÖN MERKITTYJEN KUVAKKEIDEN MERKITYKSET

	<b>VAROITUS</b> (tulipalovaara)	Tämä symboli on käytössä vain R32-kylmäaineelle. Kylmäaineen tyyppi on kirjoitettu ulkoyksikön nimilevyyn. Mikäli kylmäaineen tyyppi on R32, yksikössä käytetään syttyvää kylmäainetta. Jos kylmäainetta pääsee vuotamaan ja se pääsee kosketuksiin tulen tai lämmitysosan kanssa, se synnyttää haitallista kaasua ja aiheuttaa tulipaloriskin.
	Luo KÄYTTÖOPAS huolellisesti ennen laitteen käyttöä.	
	Huoltohenkilöstön on luettava KÄYTTÖOPAS ja ASENUSOPAS huolellisesti ennen laitteen käyttöä.	
	Lisätietoa on mm. KÄYTTÖOPPAASSA ja ASENUSOPPAASSA.	



## VAROITUS:

- Käyttäjä ei saa asentaa yksikköä. Pyydä jälleenmyyjää tai valtuutettua asentajaa suorittamaan yksikön asennus, siirto ja korjaus. Jos yksikkö on asennettu väärin, seurauksena voi olla vesivuoto, sähköisku tai tulipalo.
- Asennus- ja siirtotöiden suorittamiseksi noudata asennusohjeissa annettuja ohjeita ja käytä sellaisia työkaluja ja putkikomponentteja, jotka on erityisesti tehty käytettäväksi R32-kylmäaineen kanssa. Jos putkikomponentteja ei ole suunniteltu R32-kylmäaineelle eikä yksikköä asenneta oikein, putket voivat haljeta ja aiheuttaa vahinkoja tai loukkaantumisia. Lisäksi seurauksena voi olla vesivuoto, sähköisku tai tulipalo.
- Yksikkö on asennettava ohjeiden mukaisesti maanjäristyksen, hirmumyrskyn tai voimakkaiden tuulenpuuskien aiheuttamien vahinkojen minimoimiseksi. Väärin asennettu yksikkö voi pudota ja aiheuttaa vahinkoja tai loukkaantumisia.
- Yksikkö on asennettava tukevasti sen painon kestävään rakenteeseen. Jos yksikkö asennetaan epävakaiseen rakenteeseen, yksikkö voi pudota ja aiheuttaa vahinkoja tai loukkaantumisia.
- Jos ilma-vesilämpöpumppu asennetaan pieneen huoneeseen, kylmäaineen konsentroituuminen huoneillassa turvarajan yli on estettävä riittäväillä toimenpiteillä siinä tapauksessa, että kylmäainetta vuotaa. Kysy jälleenmyyjältä ohjeita asianmukaisten toimenpiteiden toteuttamiseen sallitun konsentroituksen ylittämisen estämiseksi. Jos kylmäainetta vuotaa tai konsentroituu yli sallitun rajan, huoneessa voi esiintyä hapen puutetta ja siitä aiheutuvia vaaroja.
- Tuuleta huone, jos kylmäainetta vuotaa käytön aikana. Jos kylmäainetta pääsee kosketukseen avotulen kanssa, siitä vapautuu myrkyllisiä kaasuja.
- Kaikki sähkötyöt on teetettävä valtuutetulla sähköasentajalla paikallisten määräysten ja tässä ohjekirjassa annettujen ohjeiden mukaan. Yksiköt tulee liittää asianmukaisilla virtajohtoilla käyttämällä oikeaa jännitettä ja piirikatkaisijoita. Kapasiteetiltaan riittämättömät virtajohtot tai virheellisesti tehdyt sähkötyöt voivat aiheuttaa sähköiskun tai tulipalon.
- Käytä saumattomien kupari- ja kupariseosputkien hitsaamiseen kuparifosforiputkia C1220 liittäessäsi kylmäaineputkia. Jos putkia ei liitetä oikein, yksikön maadoitus on puutteellinen ja seurauksena voi olla sähköisku.
- Laite on tarkoitettu asiantuntijoiden tai laitteelle koulutuksen saaneiden käyttöön kaupoissa, pienteeollisuudessa ja maataloilla tai maallikoille kaupalliseen käyttöön.
- Käytä johdotukseen erittelyn mukaisia kaapeleita. Johdinten liitännät on varmistettava niin, ettei liitäntäkohtiin pääse kohdistumaan jännityksiä. Älä myöskään koskaan käytä johdotuksessa jatkokaapeleita (ellei tässä ohjekirjassa toisin mainita). Näiden ohjeiden laiminlyönti voi aiheuttaa ylikuumenemista tai tulipalon.
- Jos virtajohto on vahingoittunut, valmistajan, valmistajan edustajan tai samankaltaisen pätevän henkilön tulee vaihtaa se vahinkojen välttämiseksi.
- Laite on asennettava maakohtaisten sähköasennussäännösten mukaan.
- Ulkoyksikön liitäntälohkon kansipaneeli on kiinnitettävä tiukasti. Jos kansipaneeli kiinnitetään väärin ja yksikköön pääsee pölyä tai kosteutta, seurauksena voi olla sähköisku tai tulipalo.

# 1. Turvallisuusohjeet

- Käytä ilmastointilaitteen asennuksen, uudelleensijoittamisen tai huollon yhteydessä vain määriteltyä kylmäainetta (R32) kylmäaineputkien täyttämiseen. Älä sekoita sitä minkään muun kylmäaineen kanssa äläkä päästä ilmaa jäämään putkistoon.  
Jos ilma pääsee sekoittumaan kylmäaineen kanssa, se voi aiheuttaa epätavallisen korkean paineen kylmäaineputkessa ja sen seurauksena räjähdyksen tai muuta vahinkoa.  
Muun kuin järjestelmälle määritetyn kylmäaineen käyttäminen aiheuttaa mekaanisen vian, järjestelmän toimintahäiriön tai laitevaurion. Pahimmassa tapauksessa se voi tehdä tuotteesta vaarallisen.
- Käytä vain Mitsubishi Electricin hyväksymiä lisäosia ja pyydä jälleenmyyjää tai valtuutettua asentajaa asentamaan ne. Jos osat asennetaan väärin, seurauksena voi olla vesivuoto, sähköisku tai tulipalo.
- Älä tee yksikköön muutoksia. Se voi aiheuttaa tulipalon, sähköiskun, henkilövahingon tai vesivuodon.
- Käyttäjän ei pitäisi koskaan yrittää korjata yksikköä tai siirtää sitä toiseen paikkaan. Jos yksikkö on asennettu väärin, seurauksena voi olla vesivuoto, sähköisku tai tulipalo. Jos ilma-vesilämpöpumppu täytyy korjata tai siirtää toiseen paikkaan, pyydä jälleenmyyjää tai valtuutettua asentajaa suorittamaan se.
- Jos jäähdytyspiirissä on vuoto, ÄLÄ tyhjennä pumppaamalla käyttämällä kompressoria.
- Kun kylmäainetta tyhjennetään pumppaamalla, kompressori on pysäytettävä ennen kylmäaineputkien irrottamista. Kompressori voi haljeta, jos siihen pääsee ilmaa tms.
- Kun asennus on tehty, tarkista kylmäaineen vuodot. Jos kylmäainetta pääsee vuotamaan huoneeseen ja se pääsee kosketukseen lämmityslaitteen tai kannettavan lieden kanssa, siitä vapautuu myrkyllisiä kaasuja.
- Älä yritä nopeuttaa sulatusta tai puhdistaa laitetta muutoin kuin valmistajan ohjeiden mukaisesti.
- Laitetta täytyy säilyttää huoneessa, jossa ei ole jatkuvakäyttöisiä syttymislähteitä (kuten avotuli tai käytössä oleva kaasulaite tai sähkölämmitin).
- Älä puhkaise tai polta.
- Huomaa, että kylmäaineet saattavat olla hajuttomia.
- Putkisto on suojattava fyysisiltä vaurioilta.
- Putkiston asennustyöt on pidettävä mahdollisimman vähäisinä.
- Maakohtaisia kaasusäännöksiä on noudatettava.
- Pidä vaaditut tuuletusaukot vapaina.
- Älä käytä alhaisen lämpötilan juotosseosta kylmäaineputkien juottamisessa.
- Kun teet juotostöitä, huolehdi siitä, että huoneessa on tarpeeksi voimakas ilmanvaihto.  
Tarkista, ettei lähistöllä ole vaarallisia tai syttyviä materiaaleja.  
Kun työskentelet suljetussa tai pienessä huoneessa tai samankaltaisessa tilassa, tarkista ennen työskentelyn aloittamista, että kylmäainetta ei ole päässyt vuotamaan.  
Jos kylmäainetta pääsee vuotamaan ja sitä kertyy runsaasti yhteen paikkaan, se saattaa syttyä palamaan tai siitä saattaa vapautua myrkyllisiä kaasuja.
- Säilytä laitetta hyvin ilmastoidussa tilassa, jonka koko vastaa käyttöä varten määritettyä pinta-alaa.
- Tilassa, jossa tehdään ilmastointilaitteiden asennus- tai korjaustöitä tai muita niihin liittyviä töitä, ei saa olla kaasulaitteita, sähkölämmittimiä tai muita syttymislähteitä.  
Jos kylmäainetta pääsee kosketukseen avotulen kanssa, siitä vapautuu myrkyllisiä kaasuja.
- Älä tupakoi työskentelyn tai kuljetuksen aikana.
- Älä lisää kylmäainetta kunkin yksikön enimmäismäärää enempää. Jos kylmäaineen enimmäismäärä ylittyy, tästä voi sytyä tulipalo kylmäaineen vuodon seurauksena.

## 1.1. Ennen asennusta



### HUOMIO:

- Älä käytä yksikköä epätavallisessa ympäristössä. Jos ilma-vesilämpöpumppu asennetaan höyrylle, haihtuvalle öljylle (mukaan lukien koneöljy) tai rikkikaasulle altistuvilla alueilla tai suolapitoisella alueella (kuten merenrannalle) tai jos yksikkö peityy lumella, sen suorituskyky voi heikentyä merkittävästi ja sisäiset osat voivat vahingoittua.
- Älä asenna yksikköä sellaiseen paikkaan, johon voi vuotaa, muodostua, vIRRATA tai kerääntyä paloherkkiä kaasuja. Jos yksikön ympärille kerääntyy paloherkkää kaasua, seurauksena voi olla tulipalo tai räjähdys.
- Ulkoyksikkö muodostaa kondenssivettä lämmityksen aikana. Järjestä vedenpoisto ulkoyksikön ympärille, jos kondenssivesi voi aiheuttaa vahinkoa.
- Kun yksikkö asennetaan sairaalan tai viestintäyhtiön toimistoon, varaudu meluääniin ja elektroniseen häiriöön. Inverterit, kotitalouskoneet, suurtaajuuskiset lääkinälliset laitteet ja radiolaitteet voivat aiheuttaa ilma-vesilämpöpumpun vikatoimintaa tai vaurioitumisen. Ilma-vesilämpöpumppu voi myös vaikuttaa lääkinnällisten laitteiden toimintaan, häiritä sairaanhoitoa ja tietoliikennelaitteita sekä heikentää näyttöruudun kuvan laatua.

## 1.2. Ennen asentamista (uudelleensijoittaminen)



### HUOMIO:

- Ole erityisen varovainen yksiköiden kuljetuksessa tai asennuksessa. Vähintään kaksi henkilöä tarvitaan yksikön käsittelemiseen, sillä se painaa 20 kg tai enemmän. Älä tartu kiinni pakkausnauhoihin. Käytä suojakäsineitä poistaessasi yksikköä pakkauksesta ja siirtäessäsi sitä, koska voit loukata kätesi siipiin tai muiden osien reunoihin.
- Hävitä pakkausmateriaalit turvallisesti. Pakkausmateriaalit, kuten naulat ja muut metalli- ja puuosat voivat aiheuttaa pistohaavoja ja muita vammoja.
- Ulkoyksikön jalusta ja kiinnitystarvikkeet on tarkistettava säännöllisesti löystymisen, halkeamien ja muiden vahinkojen varalta. Jos tällaisia vaurioita ei korjata, yksikkö voi pudota ja aiheuttaa vahinkoja tai loukkaantumisia.
- Älä puhdistaa ilma-vesilämpöpumppua vedellä. Seurauksena voi olla sähköisku.
- Kiristä kartiomutterit määrittelyn mukaisesti momenttivääntimellä. Jos niitä kiristetään liikaa, mutteri voi murtua myöhemmin ja kylmäainetta saattaa päästä vuotamaan.

## 1.3. Ennen sähkötyitä



### HUOMIO:

- Asenna piirikatkaisijat. Jos niitä ei asenneta, seurauksena voi olla sähköisku.
- Käytä virtajohtoina kapasiteetiltaan riittäviä standardikaapeleita. Muuten voi seurauksena olla oikosulku, ylikuumeneminen tai tulipalo.
- Älä venytä kaapeleita virtajohtojen asentamisen yhteydessä. Jos liitännät löystyvät, kaapelit voivat katketa tai murtua, minkä seurauksena voi olla ylikuumeneminen tai tulipalo.
- Varmista, että yksikkö maadoitetaan. Älä liitä maajohtimia kaasu- tai vesiputkiin, ukkosenjohdattimeen tai puhelimen maadoitusjohtoihin. Jos yksikkö ei ole oikein maadoitettu, seurauksena voi olla sähköisku.
- Käytä määritellyn kapasiteetin mukaisia piirikatkaisijoita (vikavirtakytkin, eristyskytkin (+B-sulake) ja valukoteloitua piirikatkaisijaa). Jos piirikatkaisijan kapasiteetti on määritelty suurempi, seurauksena voi olla laitevika tai tulipalo.

# 1. Turvallisuusohjeet

## 1.4. Ennen koekäytön käynnistämistä

### ⚠️ HUOMIO:

- Kytke päävirta päälle vähintään 12 tuntia ennen käytön aloittamista. Käytön aloittaminen heti virtakytkimen päällekytkennän jälkeen voi vahingoittaa sisäpuolisia osia. Pidä päävirtakytkin päällä käyttösesongin ajan.
- Tarkista ennen käytön aloittamista, että kaikki paneelit, suojukset ja muut suojaavat osat on oikein asennettu. Pyörivät, kuumat tai korkeajännitteiset osat voivat aiheuttaa loukkaantumisia.

- Älä koske mihinkään kytkimeen märillä käsillä. Seurauksena voi olla sähköisku.
- Älä koske kylmäaineputkiin paljain käsin käytön aikana. Kylmäaineputket ovat kuumia tai kylmiä riippuen virtaavan kylmäaineen tilasta. Jos kosket putkiin, siitä voi aiheutua palovamma tai paleltumisvamma.
- Odota käytön lopettamisen jälkeen vähintään viisi minuuttia, ennen kuin kytket päävirtakytkimen pois päältä. Muuten voi seurauksena olla vesivuoto tai laitevika.

## 1.5. R32-kylmäaineen käyttö ilma-vesilämpöpumpussa

### ⚠️ HUOMIO:

- Käytä saumattomien kupari- ja kupariseosputkien hitsaamiseen kuparifosforipuikkoa C1220 liittäessäsi kylmäaineputkia. Varmista, että putket ovat sisältä puhtaat ja että ne eivät sisällä vahingollisia aineita, kuten rikkiyhdisteitä, hapettimia, roskia tai pölyä. Käytä määritellyn paksuisia putkia. (Katso kohta 4.1.) Huomaa seuraavaa, jos käytät uudelleen putkia, joissa on kuljetettu kylmäainetta R22.
  - Vaihda kartiomutterit ja avarra jo avarretut kohdat uudelleen.
  - Älä käytä ohuita putkia. (Katso kohta 4.1.)
- Säilytä käytettäviä putkia asennuksen ajan sisätiloissa ja pidä putkien kummatkin päät tukittuina juottamiseen saakka. (Pidä kulmaliittimiä jne. pakkauksissaan.) Jos pölyä, roskia tai kosteutta pääsee kylmäaineputkiin, kylmäaineöljyn laatu voi heikentyä ja kompressori voi vikaantua.
- Käytä avarretuissa kohdissa kylmäaineöljynä esteri-, eetteri- tai alkylibentseeniöljyä (pieni määrä). Jos mineraaliöljyä sekoitetaan kylmäaineöljyyn, seurauksena voi olla öljyn laadun heikkeneminen.

- Huoltotoimissa on noudatettava aina valmistajan ohjeita.
- Käytä ainoastaan R32-kylmäainetta. Jos käytetään eri kylmäainetta, kloori heikentää öljyn laatua.
- Käytä seuraavia työkaluja, jotka on suunniteltu erityisesti R32-kylmäaineen käyttöä varten. Seuraavat työkalut ovat välttämättömiä R32-kylmäaineen käytössä. Ota yhteyttä lähimpään jälleenmyyjään kaikissa kysymyksissä.

Työkalut (R32-kylmäaineelle)	
Mittajakotukki	Avarrustyökalu
Täyttöletku	Koonsäätömitta
Kaasuvuodonilmaisoin	Tyhjöpumpun adapteri
Momenttiavain	Elektroninen kylmäaineen täyttöasteikko

- Käytä sopivia työkaluja. Jos pölyä, roskia tai kosteutta pääsee kylmäaineputkiin, kylmäaineöljyn laatu voi heikentyä.

## 2. Asennuspaikan valinta

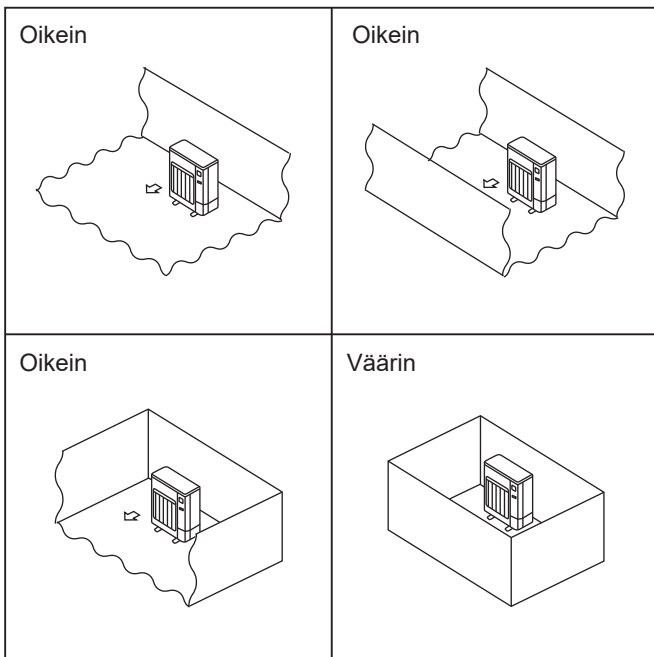


Fig. 2-1

### 2.1. Ulkoyksikkö

- R32 on ilma- ja muita kylmäaineita – raskaampaa, joten sillä on taipumus kerääntyä pohjalle (lähelle lattiaa). Jos R32-ainetta kerääntyy pohjan ympärille, se voi saavuttaa syttyvän pitoisuuden pienessä tilassa. Hyvä ilmanvaihto estää syttymisen ja parantaa työturvallisuutta. Jos kylmäainevuoto havaitaan tilassa tai alueella, jolla ilmanvaihto on riittämätön, avotulta ei saa käyttää ennen riittävän ilmanvaihdon järjestämistä ja työympäristön turvallisuuden varmistamista.
- Laite ei altistu voimakkaalle tuulelle.
- Ilma pääsee virtaamaan esteettömästi ja pölyttömästi.
- Asennus ei saa aikaan ilman lyhyttä kiertoa.
- Laitteen tuottama ääni ja kuuma ilma eivät häiritse naapureita.
- Seinä tai muu tuki on riittävän tukeva ehkäisemään laitteen toiminnan aiheuttamaa ääntä ja värinää.
- Tulenaran kaasun vuotoriskiä ei ole.
- Jos laite asennetaan korkealle, sen jalat on kiinnitettävä tukevasti.
- Etäisyys televisio- ja radioantenniin on vähintään 3 m. (Muuten kuva voi kärsiä tai voi syntyä melua.)
- Laite on suojassa lumisateelta ja lumipuuskilta. Jos alueella sataa paljon lunta, laitteen voi suojata katoksella, jalustalla ja/tai suojaudoituksella.
- Laite on asennettava vaakasuoraan.
- Kylmäaineputkien liitokseen on päästävä käsiksi huoltoa varten.
- © Asenna ulkoyksiköt paikkaan, jossa vähintään yksi neljästä sivusta on avoin. Asennuspaikan on oltava riittävän suuri, eikä siinä saa olla syvennyksiä. (Fig. 2-1)

### ⚠️ HUOMIO:

Seuraavan tyyppisiä sijoituspaikkoja kannattaa välttää, sillä niissä ilmastointilaitteen käytössä voi esiintyä ongelmia:

- alueet, joilla on liian paljon koneöljyä
- suolapitoiset ympäristöt, kuten merenranta
- alueet, joilla on kuumia lähteitä
- alueet, joilla esiintyy sulfidikaasua
- muut erityisilmastoalueet.

Ulkoyksikkö muodostaa kondenssivettä lämmityksen aikana. Valitse asennuspaikka siten, että ulkoyksikkö tai sen alusta eivät kastu poistovedestä ja että jäätyvä poistovesi ei voi vaurioittaa niitä.

## 2. Asennuspaikan valinta

### 2.2. Minimiasennustila

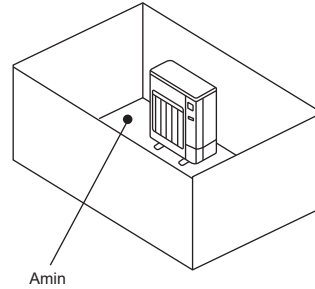
Jos ei voida välttää yksikön asentamista paikkaan, jonka kaikki neljä sivua ovat suljetut tai jossa on syvennyksiä, varmista jonkin seuraavan tilanteen (A, B tai C) ehtojen täytyminen.

**Huomautus: Seuraavien toimien tarkoituksena on varmistaa turvallisuus, ei teknisten ominaisuuksien toteutuminen.**

A) Varmista riittävä asennustila (minimiasennusala Amin).

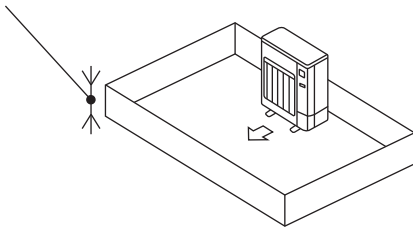
Asenna tilaan, jossa asennusala on vähintään Amin, kylmäaineen määrää M vastaavalla tavalla (tehtaalla täytetty kylmäaine + paikallisesti lisätty kylmäaine).

M [kg]	Amin [m <sup>2</sup> ]
1,0	12
1,5	17
2,0	23
2,5	28
3,0	34
3,5	39
4,0	45
4,5	50
5,0	56
5,5	62
6,0	67
6,5	73
7,0	78
7,5	84

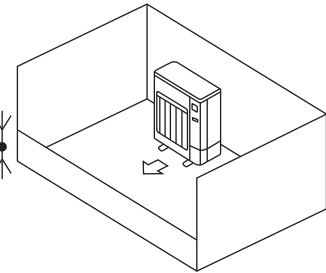


B) Asenna tilaan, jossa syvennyksen korkeus on  $\leq 0,125$  [m].

Korkeus pohjasta on enintään 0,125 [m]



Korkeus pohjasta on enintään 0,125 [m]

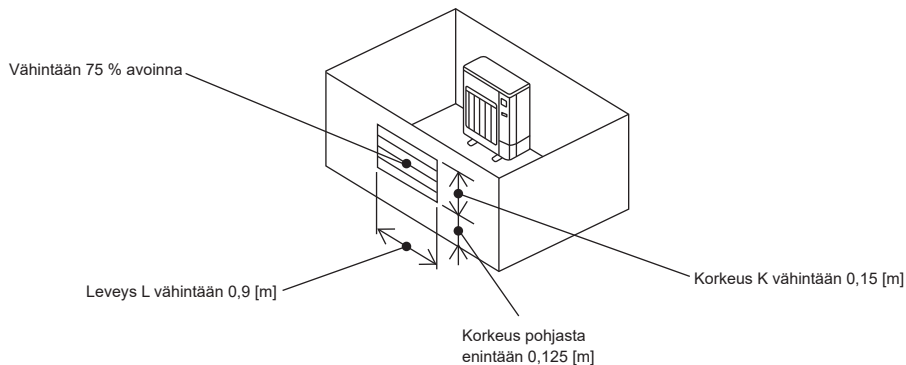


C) Luo sopiva avoin tila ilmanvaihtoa varten.

Varmista, että avoimen tilan leveys on vähintään 0,9 [m] ja korkeus vähintään 0,15 [m].

Asennustilan pohjan ja avoimen tilan alareunan välinen korkeus saa kuitenkin olla enintään 0,125 [m].

Avoimesta osasta on oltava vähintään 75 % avoinna.



**Huomautus: Sisäyksikölle ei ole asennusrajoituksia R32-kylmäaineen käytön vuoksi. Katso sisäyksikön asennusopas ja tarkasta vaadittu asennusalue.**

## 3. Asennuskaavio

### 3.1. Ulkoyksikkö (Fig. 3-1)

#### Tuuletus- ja huoltotila

- A Vähintään 100 mm
- B Vähintään 350 mm
- C Vähintään 500 mm

Jos putket on kiinnitettävä metallia (tinapäälylystys) tai metalliverkkoa sisältävään seinään, aseta seinän ja putken väliin vähintään 20 mm:n paksuinen kemiallisesti käsitelty puuvälike tai kiedo putkeen 7–8 kierrosta vinyyliteippiä.

Laitteen asennuksen saa suorittaa vain valtuutettu asentaja paikallisten määräysten mukaisesti.

#### Huomautus:

**Noudata seuraavia ohjeita, kun ilmastointilaitetta käytetään alhaisessa ulkolämpötilassa.**

- Ulkoyksikköä ei saa koskaan asentaa paikkaan, jossa sen ilmansyöttö- ja -poistopuolet voivat altistua suoraan tuulelle.
- Tuulelle altistumisen välttämiseksi ulkoyksikkö on asennettava ilmansyöttöpuoli seinää vasten.
- Tuulelle altistumista voi ehkäistä suojaamalla ulkoyksikön ilmanpoistopuolen suojauslaudoituksella.

■ SUZ-SWM80VA2, SUZ-SWM80VAH2, SUZ-SWM100VA, SUZ-SWM100VAH, SUZ-SHWM60VAH

■ SUZ-SWM30VA, SUZ-SWM40VA2, SUZ-SWM60VA2, SUZ-SHWM30VAH, SUZ-SHWM40VAH

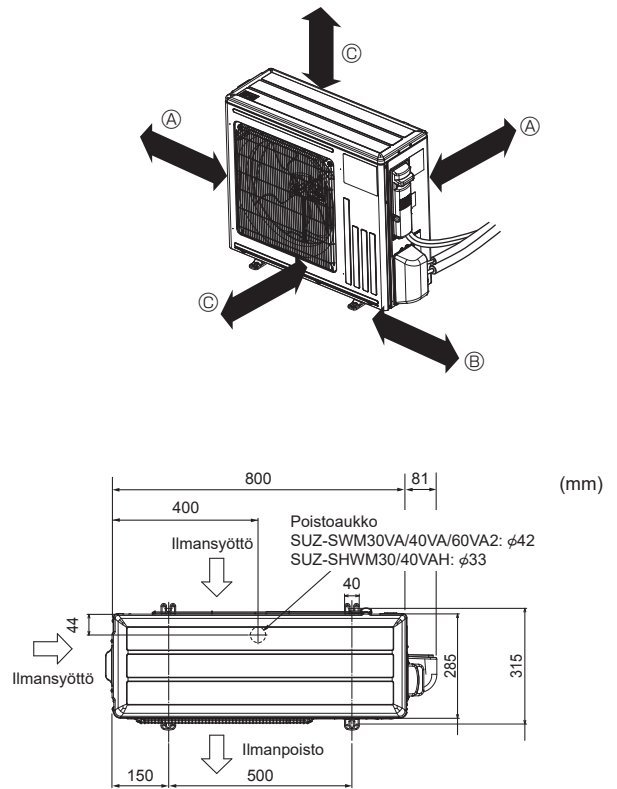
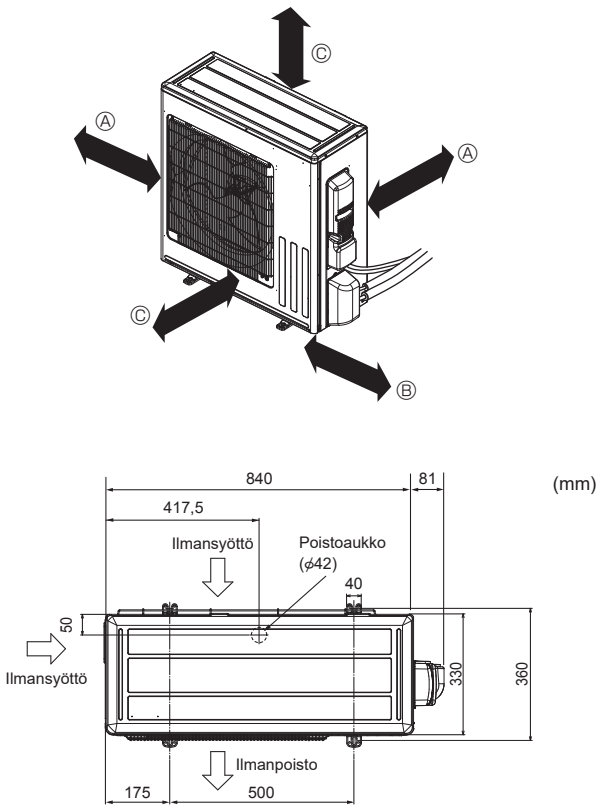


Fig. 3-1

## 4. Ulkoyksikön poistoputki (Fig. 4-1)

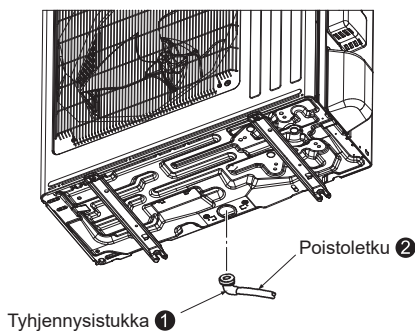


Fig. 4-1

### 4.1. Lisälaitteet

Tarkista seuraavat osat ennen asennusta.

<Ulkoyksikkö>

①	Tyhjennysistukka	1
---	------------------	---

- Asenna poistoputki ennen sisä- ja ulkoyksikön putkiliitosta. (Tyhjennysistukkaa ① on vaikea asentaa, jos sisä- ja ulkoyksikön putkiliitos muodostetaan ennen poistoputken liittämistä, sillä ulkoyksikköä ei voi tällöin siirtää.)
- Liitä poistoletku ② (hankittavissa kaupasta, sisähalkaisija: 15 mm), kuten poistokuvassa on esitetty.
- Varmista, että poistoputki viettää alaspäin, jotta poistovesi pääsisi virtaamaan sujuvasti.

#### Huomautus:

Älä käytä tyhjennysistukkaa ① kylmillä alueilla. Poistovesi saattaa jäätyä ja pysäyttää tuulettimen toiminnan.

Tyhjennysistukka ei sisälly SHWM-sarjaan.

## 5. Kylmäaineputkien asennus

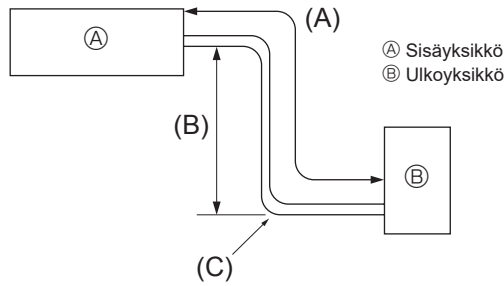


Fig. 5-1

### 5.1. Kylmäaineputki (Fig. 5-1)

► Tarkista, että sisä- ja ulkoyksikön korkeusero, kylmäaineputken pituus ja putken taitteiden lukumäärä ovat alla esitettyjen vaatimusten rajoissa.

Mallit	(A) Putken pituus (yksisuuntainen)	(B) Korkeusero	(C) Taitteiden lukumäärä (yhdessä suunnassa)
SUZ-SWM30VA SUZ-SHWM30VAH SUZ-SWM40VA2 SUZ-SHWM40VAH SUZ-SWM60VA2	2 m - 26 m	Maks. 26 m	Enint. 10
SUZ-SHWM60VAH SUZ-SWM80VA(H)2 SUZ-SWM100VA(H)	2 m - 46 m	Maks. 30 m	

- Korkeuserorajoitukset ovat sitovia riippumatta siitä, onko korkeammalle sijoitettava yksikkö sisä- vai ulkoyksikkö.

SUZ-SWM30VA SUZ-SWM40/60VA2 SUZ-SHWM30/40VAH	SUZ-SHWM60VAH SUZ-SWM80VA(H)2 SUZ-SWM100VA(H)
Alkuperäinen määrä: 800 g	Alkuperäinen määrä: 1 100 g
<Yhdistelmä mallille E*SD/E*ST17D/E*ST20D> (*1)	<Yhdistelmä mallille E*SD/E*ST17D/E*ST20D> (*1)

\*1. Kytettäessä malliin E\*ST30D lisää AINA 50 g kaavioiden perusteella lisätätyn lisäksi.

\*2. Kun putkiston pituus on yli 26 metriä, kysy neuvoa asiantuntijaltamme.

\*3. Kun putkiston pituus on yli 46 metriä, kysy neuvoa asiantuntijaltamme.

\*4. Uudelleentäytössä: alkuperäinen määrä + lisätätymäärä

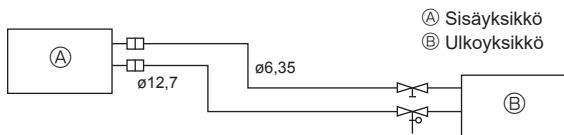


Fig. 5-2

(1) Alla olevasta taulukosta näkyvät kaupallisesti saatavana olevien putkien tekniset tiedot. (Fig. 5-2)

Malli	Putki	Ulkohalkaisija		Seinämän vähimmäispaksuus	Eristyksen paksuus	Eristysmateriaali
		mm	tuumaa			
Kaikki mallit	Neste	6,35	1/4	0,8 mm	8 mm	Lämmönkestävä vaahtomuovi, ominaispaino 0,045
	Kaasu	12,7	1/2	0,8 mm	8 mm	

(2) Varmista, että 2 kylmäaineputkea on eristetty hyvin kondenssaation estämiseksi.

(3) Kylmäaineputken taivutussäteen on oltava vähintään 100 mm.

### ⚠ HUOMIO:

Pidä huolta siitä, että eristys on määritetyn paksuinen. Jos eristys on liian paksu, säilytys sisäyksikön takana ei ole mahdollista. Jos se on liian ohut, voi esiintyä nesteen hikoilua.

- Huolehdi riittävästä ilmanvaihdosta syttymisen estämiseksi. Varmista paloturvallisuus ja poista kaikki vaaralliset tai syttyvät materiaalit ympäristöstä.
- R32-kylmäaineen huoltotäyttö: Ennen laitteiston huoltotäyttöä R32-kylmäaineella varmista, ettei sähkökipinöistä voi aiheutu räjähdysvaaraa, tarkistamalla että kone on 100-prosenttisesti irrotettu verkkovirrasta.
- Eristysmateriaalien tulee täyttää seuraavat tekniset tiedot.
  - (1) Lämmönsiirtokerroin: enintään 0,040 W/mK
  - (2) Eristyksen paksuus: vähintään 9 mm
  - (3) Lämmönkestävyys: vähintään 110 °C
 Jos putkiston pituus ulkona on yli 15 m, eristyksen paksuuden täytyy olla vähintään 18 mm.



## 5. Kylmäaineputkien asennus

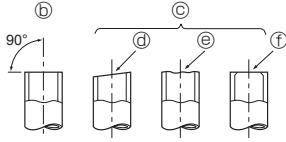
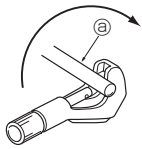


Fig. 5-3

- Ⓐ Kupariputket
- Ⓑ Hyvä
- Ⓒ Ei hyvä
- Ⓓ Kallellaan
- Ⓔ Epätasainen
- Ⓕ Purseinen

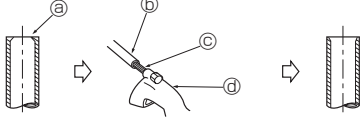


Fig. 5-4

- Ⓐ Purse
- Ⓑ Kupariputki
- Ⓒ Varakalvin
- Ⓓ Putkileikkuri

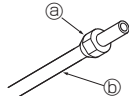


Fig. 5-5

- Ⓐ Kaulusmutteri
- Ⓑ Kupariputki

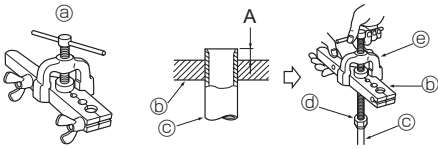


Fig. 5-6

- Ⓐ Avarrustyökalu
- Ⓑ Leikkuutyökalu
- Ⓒ Kupariputki
- Ⓓ Kaulusmutteri
- Ⓔ les

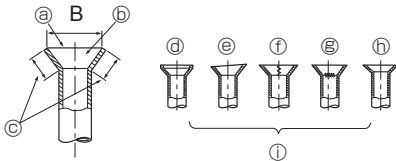


Fig. 5-7

### 5.2. Avarrus

- Tärkein kaasuvuotojen syy on viallisesti suoritettu avarrus.
- Avarrus on suoritettava seuraavan menettelyn mukaisesti:

#### 5.2.1. Putken katkaisu (Fig. 5-3)

- Katkaise kupariputki oikein putkileikkuria käyttämällä.

#### 5.2.2. Purseiden poistaminen (Fig. 5-4)

- Poista kaikki purseet putken poikkileikkausreunasta.
- Aseta kupariputken pää alaspäin purseen poiston ajaksi, jotta purseet eivät putoaisi putkeen.

#### 5.2.3. Mutterin kiinnittäminen (Fig. 5-5)

- Poista sisä- ja ulkoyksikköön kiinnitettyt kaulusmutterit ja aseta ne putkeen purseen poiston jälkeen.
- (Niitä ei voi asettaa putkeen avarruksen jälkeen.)

#### 5.2.4. Avarrus (Fig. 5-6)

- Suorita avarrus avarrustyökalulla vasemmalla olevan kuvan mukaisesti.

Putken halkaisija (mm)	Mitat	
	A (mm)	B <sup>+0</sup> <sub>-0,4</sub> (mm)
	Käytettäessä työkalua R32 Kirstisyviputyyppi	
6,35	0–0,5	9,1
9,52	0–0,5	13,2
12,7	0–0,5	16,6
15,88	0–0,5	19,7

Pidä kupariputkea tukevasti leikkuutyökalussa yllä olevan taulukon mukaisessa mitassa.

#### 5.2.5. Tarkista (Fig. 5-7)

- Vertaa avarrusta vasemmalla olevaan kuvaan.
- Jos avarrus on virheellinen, leikkaa avarrettu osa pois ja suorita avarrus uudelleen.

- Ⓐ Tasainen kaikkialta
- Ⓑ Naarmu avarratulla tasolla
- Ⓒ Sisäpinta on kiiltävä ja naarmuton
- Ⓓ Haljennut
- Ⓔ Tasapitkä kaikkialta
- Ⓕ Epätasainen
- Ⓖ Liian paljon
- Ⓗ Esimerkkejä virheellisestä avarruksesta
- Ⓗ Kallellaan

- Levitä putken istukkapinnalle ohuelti jäähdytysöljyä. (Fig. 5-8)
- Kohdista ensin putken keskikohta ja kiristä sitten kaulusmutteriä 3–4 kierrosta.
- Kiristä sisäyksikön liitoskohdat seuraavan kiristysmomentitaulukon arvojen mukaan käyttämällä kahta avainta. Avarruskohta vahingoittuu, jos sitä kiristetään liikaa.

Kupariputken ulkohalkaisija (mm)	Kaulusmutterin ulkohalkaisija (mm)	Kiristysmomentti (N·m)
ø6,35	17	14–18
ø9,52	22	34–42
ø12,7	26	49–61
ø15,88	29	68–82

### VAROITUS:

Kun laitetta asennetaan, kylmäaineputket on kytkettävä tukevasti ennen kompressorin käynnistystä.

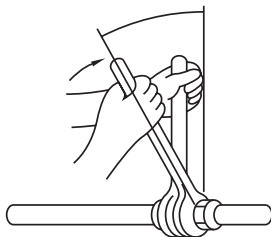
### VAROITUS:

Varo lentävää kaulusmutteriä! (sisäisen paineen johdosta)

Poista kaulusmutteri seuraavasti:

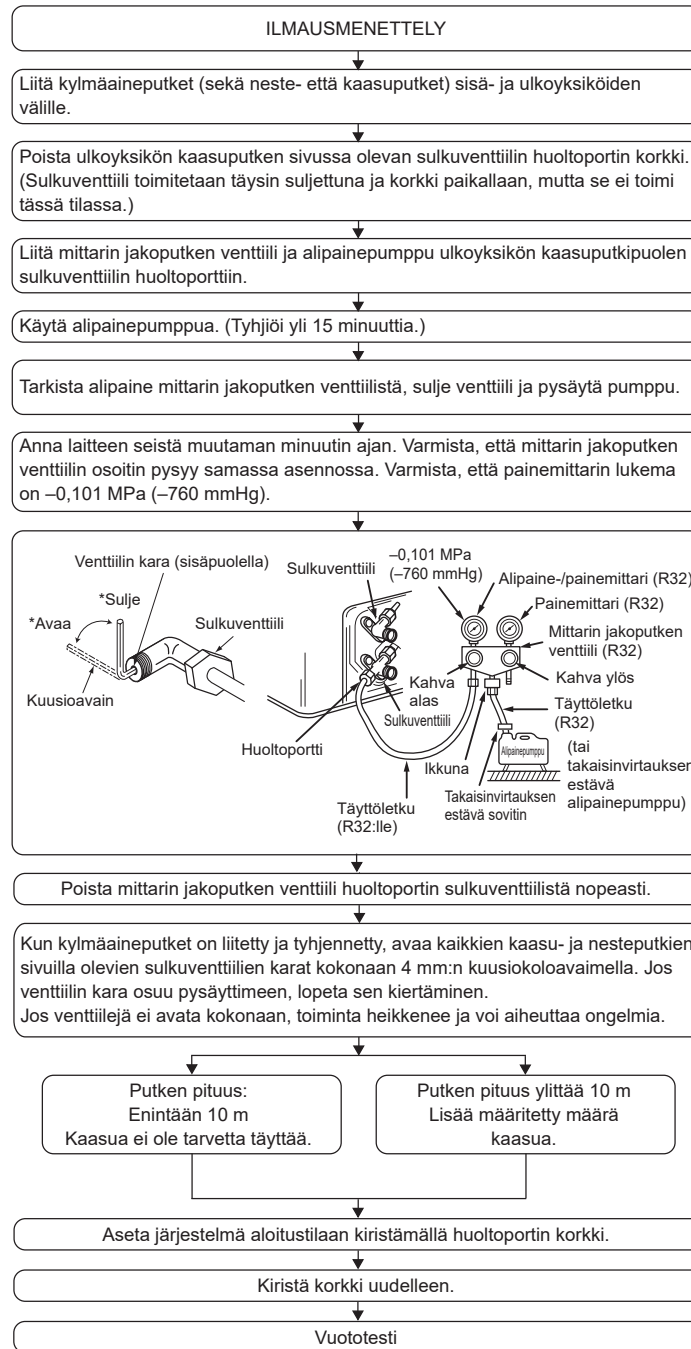
1. Löysää mutteria, kunnes kuulet siihenää.
2. Älä irrota mutteria, ennen kuin kaasu on vuotanut kokonaan ulos (sihinää lakkaa kuulumasta).
3. Tarkista, että kaasu on vuotanut kokonaan ulos, ja irrota mutteri.

Fig. 5-8



## 5. Kylmäaineputkien asennus

### 5.3. Ilmausmenettelyn vuototesti



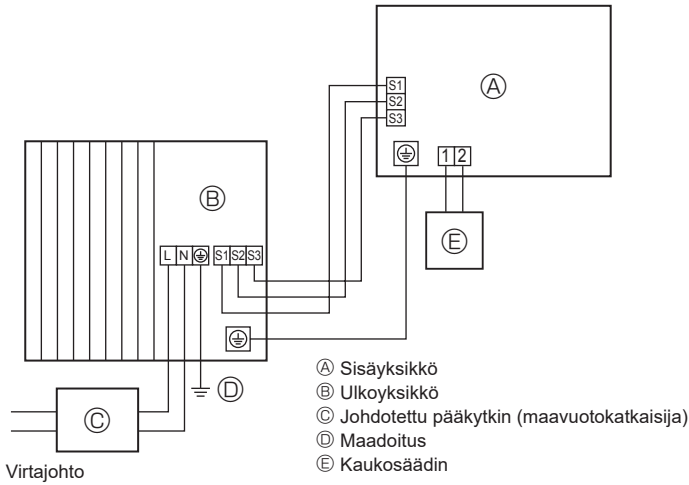
## 6. Sähkötekniset työt

### 6.1. Ulkoyksikkö (Fig. 6-1, Fig. 6-2, Fig. 6-3)

① Irrota huoltopaneeli.

② Johdota kaapelit Fig. 6-1, Fig. 6-2 ja Fig. 6-3 mukaisesti.

■ SUZ-SHWM60VAH, SUZ-SWM80VA(H)2, SUZ-SWM100VA(H)



■ SUZ-SHWM30/40VAH, SUZ-SWM30VA, SUZ-SWM40/60VA2

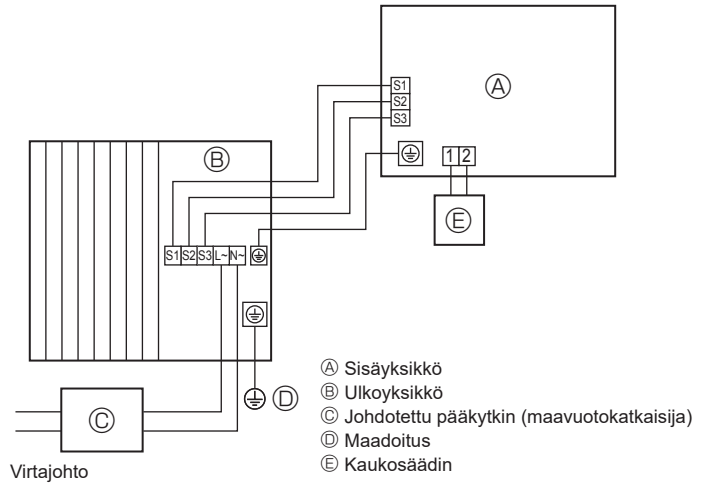


Fig. 6-1

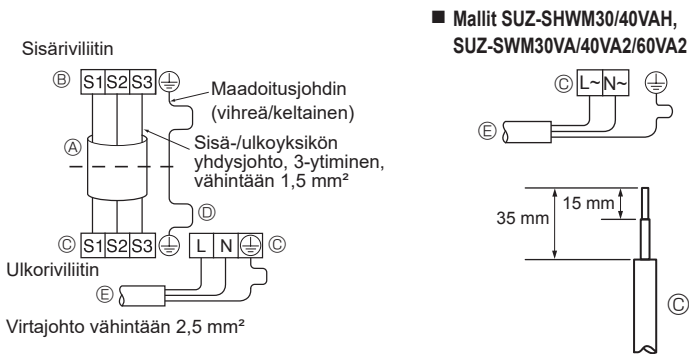
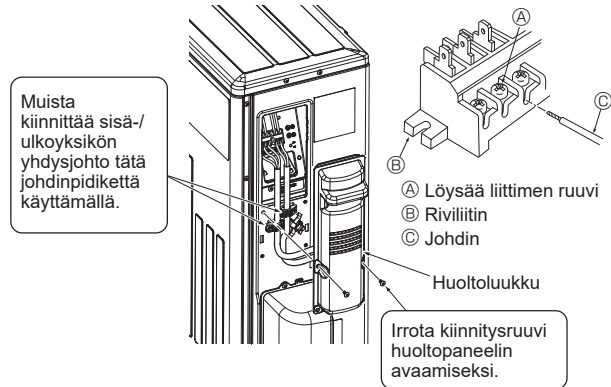


Fig. 6-2

■ SUZ-SWM30VA, SUZ-SWM40VA2, SUZ-SWM60VA2, SUZ-SHWM30VAH, SUZ-SHWM40VAH



■ SUZ-SWM80VA2, SUZ-SWM100VA, SUZ-SWM80VAH2, SUZ-SWM100VAH, SUZ-SHWM60VAH

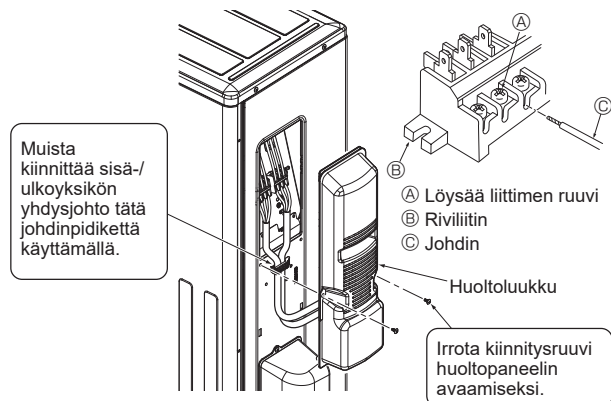


Fig. 6-3

• Suorita johdotus vasemmassa alakulmassa olevan kaavion mukaisesti. (Hanki kaapeli paikallisesti.) (Fig. 6-2)  
Varmista, että käytät ainoastaan oikean napaisuuden kaapeleita.

- ① Yhdyskaapeli
- ② Sisäriviliitin
- ③ Ulkoriviliitin
- ④ Asenna aina muita kaapeleita pitempi maadoitusjohdin.
- ⑤ Virtajohto
- ⑥ Johdin

- Jätä maadoitusjohdin hiukan muita pidemmäksi. (vähintään 100 mm)
- Jätä kytkentäjohtimiin hiukan lisäpituutta myöhempää huoltoa varten.
- Kiinnitä kaikki ruuvit niitä vastaaviin liitäntöihin, kun kiinnität johdon tai johtimen riviliittimeen.

- Kytke sisäyksiköstä tuleva kaapeli oikein riviliittimeen.
- Käytä samaa riviliittintä ja napaisuutta kuin sisäyksikössä.
- Jätä yhdyskaapeliin lisäpituutta jälkihuoltoa varten.

- Kummatkin yhdyskaapeliin (pidennysjohdon) päät kuoritaan. Jos se on liian pitkä tai jos se on kytketty katkaisemalla keskiosa, kuori virtajohto kuvan osoittamaan pituuteen.
- Varo, ettei yhdyskaapeli pääse koskemaan putkiin.

### ! HUOMIO:

- Varo, ettet kytke johtoja väärin.
- Kiristä riviliittimen ruuvit tukevasti, jotta ne eivät löystyisi käytössä.
- Tarkista vetämällä kiristettyjä johtimia kevyesti, että ne eivät pääse liikkumaan.

### ! VAROITUS:

- Kiinnitä ulkoyksikön huoltopaneeli tiukasti. Jos sitä ei ole kiinnitetty oikein, seurauksena voi olla esimerkiksi pölystä tai vedestä johtuva tulipalo tai sähköisku.
- Kiristä riviliittimen ruuvit huolellisesti.
- Johdotus on suoritettava siten, että voimajohtoihin ei kohdistu jännitettä. Muutoin tuloksena voi olla kuumenemista tai tulipalo.

## 6. Sähkötekniset työt

### 6.2. Kentän sähköjohdotus

Ulkoyksikön malli	SUZ-SHWM30VAH/40VAH SUZ-SWM30VA/40VA2/60VA2	SUZ-SHWM60VAH SUZ-SWM80VA(H)2/SWM100VA(H)
Ulkoyksikön virtajohto	~N (yksittäinen), 50 Hz, 230 V	~N (yksittäinen), 50 Hz, 230 V
Ulkoyksikön syöttökapasiteetti, pääkytkin (katkaisija)	*1 16 A	20 A
Johdon nro × koko (mm <sup>2</sup> )	Ulkoyksikön virtajohto	2 × min. 2,5
	Ulkoyksikön virtajohdon maa	1 × min. 2,5
	Sisäyksikkö – Ulkoyksikkö	3 × 1,5 (polaarinen)
	Sisäyksikkö – Ulkoyksikkö, maadoitus	1 × min. 1,5
Piirijännite	Ulkoyksikkö L-N	*2 230 (vaihtovirta)
	Sisäyksikkö – Ulkoyksikkö S1-S2	*2 230 (vaihtovirta)
	Sisäyksikkö – Ulkoyksikkö S2-S3	*2 12 VDC – 24 VDC

\*1. On hankittava piirikatkaisija, jossa kunkin navan kontaktierotus on vähintään 3 mm. Käytä maavuotokatkaisijaa (NV).

Varmista, että virtavuotokytkin on yhteensopiva korkeampien ylivärhätelyjen kanssa.

Käytä ainoastaan korkeampien ylivärhätelyjen kanssa yhteensopivaa virtavuotokytkintä, koska tämä yksikkö sisältää inverterin.

Puutteellisen kytkimen käyttö voi johtaa inverterin vääraän toimintaan.

\*2. Arvot EIVÄT ole aina maan suhteen.

S3-liittimessä on 24 V tasavirta S2-liittintä vasten. Liitäntöjen S3 ja S1 välillä nämä EIVÄT kuitenkaan ole sähköeristettyjä muuntajan tai muun laitteen avulla.

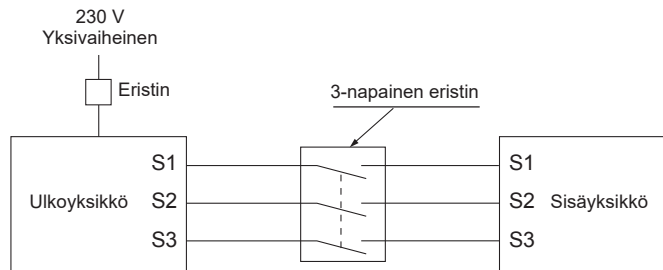
**Huomautukset:** 1. Johdinten kokojen on oltava sovellettavien paikallisten ja kansallisten sähköteknisten määräysten mukaisia.

2. Virtajohdot sekä sisä- ja ulkoyksikön väliset liitäntäjohdot eivät saa olla kevyempiä kuin polykloropreenivaipalla suojatut taipuisat johdot. (rakenne 60245 IEC 57)

3. Asenna muita kaapeleita pitempi maadoitusjohdin.

4. Käytä virtalähteen johdotuksessa itsestään sammuvia voimakaapeleita.

5. Reititä johdot huolellisesti niin, etteivät ne kosketa metallireunaa tai ruuvin kärkeä.



### VAROITUS:

Terminaalissa S3 on korkean jännitteen mahdollisuus, mikä johtuu sähkövirtapiiriin rakenteesta, jossa ei ole sähköeristystä virtapiiriin ja yhteysignaalin johdon välillä. Siksi päävirtalähteen virransyöttö on katkaistava huoltotöiden yhteydessä. Älä myöskään koske liitäntöihin S1, S2, S3 virransyötön ollessa päällä. Jos sisä- ja ulkoyksikön välissä on käytettävä eristintä, käytä 3-napaista tyyppiä.

Älä koskaan jatka virtakaapelia tai sisä- ja ulkoyksikön liitäntäkaapelia, sillä siitä voi olla seurauksena savua, tulipalo tai yhteysvika.

Muista liittää sisä- ja ulkokäyttöön tarkoitetut kaapelit suoraan yksiköihin (ei välilyöntöjä).

Välilyöntökennät voivat aiheuttaa yhteyshäiriöitä, jos kaapeleihin pääsee vettä, jolloin seurauksena on riittämätön maaeristys tai huono sähkökontakti välilyöntöpaisteissa.

## 7. Huolto

### 7.1. Kaasun täyttö (Fig. 7-1)

1. Liitä kaasupullo sulkuventtiiliin huoltoporttiin (3-teinen).
2. Ilmaa kylmäainekaasupullost tuleva putki (tai letku).
3. Täydennä määritetty määrä kylmäainetta. Käytä ilmastointilaitetta samalla jäähdytystä varten.

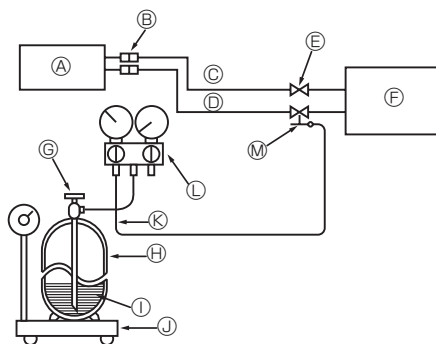
**Huomautus:**

Kylmäainetta lisättäessä on noudatettava käytettävälle jäähdytysjaksolle määritetty määrä.

### HUOMIO:

- Kylmäaineen ei saa antaa purkautua ilmaan. Pidä huolta siitä, että kylmäainetta ei pääse purkautumaan ilmaan asennuksen, takaisinasennuksen tai kylmäainepiiriin korjauksen yhteydessä.
- Jos lisätäytölle on tarvetta, täytä kylmäainetta kaasusylinterin nestetilasta. Jos kylmäainetta täytetään kaasutilasta, kylmäaineen koostumuksessa voi tapahtua muutoksia sylinterin ja ulkoyksikön sisällä. Tämä heikentää jäähdytysjaksen tehoa ja voi tehdä tavallisen käytön mahdottomaksi. Nestemäisen kylmäaineen täyttö kokonaan kerralla voi kuitenkin johtaa kompressorin lukittumiseen. Kylmäainetta on tästä syystä täytettävä hitaasti.

Varmista kaasupullon korkeapaine lämmittämällä kaasupulloa lämpimässä vedessä (enintään 40 °C) kylminä vuodenaikoina. Älä koskaan käytä avotulta tai höyryä.



- |  |   |
|--|---|
| Ⓐ Sisäyksikkö                          | Ⓗ Kylmäainekaasupullo, imuputkella varustettu R32 |
| Ⓑ Liitos                               | Ⓘ Kylmäaine (neste)                               |
| Ⓒ Nesteputki                           | Ⓝ Sähköinen asteikko kylmäainetta täyttää varten  |
| Ⓓ Kaasuputki                           | Ⓚ Täyttöletku (R32)                               |
| Ⓔ Sulkuventtiili                       | Ⓛ Mittarin jakoputken venttiili (R32)             |
| Ⓕ Ulkoyksikkö                          | Ⓜ Huoltoaukko                                     |
| Ⓖ Kylmäainekaasupullon käyttöventtiili |   |

Fig. 7-1

## 8. Vesiputkityöt

### 8.1. Veden minimimäärä

Katso sisäyksikön asennusohjetta.

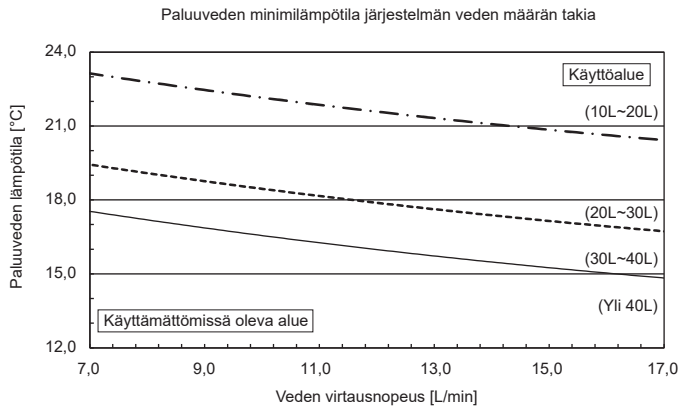
### 8.2. Käyttöalue (veden virtausnopeus, paluuvien lämpötila)

Varmista seuraava vesikierron veden virtausaste ja paluuvien lämpötila-alue.

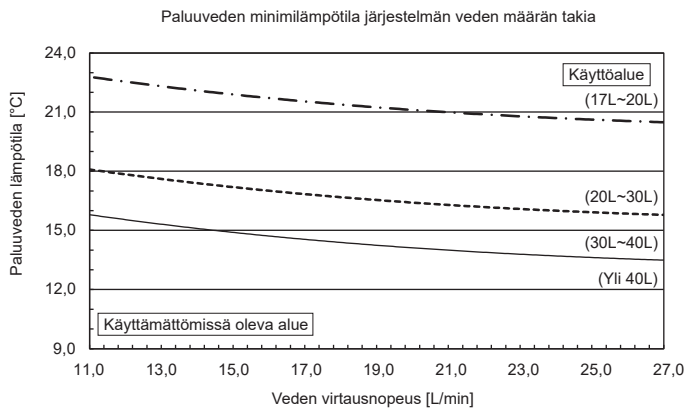
Nämä käyrät liittyvät veden määrään.

#### ■ Lämmitys

SUZ-SWM30VA SUZ-SHWM30VAH  
SUZ-SWM40VA2 SUZ-SHWM40VAH  
SUZ-SWM60VA2



SUZ-SWM80VA(H)2  
SUZ-SWM100VA(H)  
SUZ-SHWM60VAH



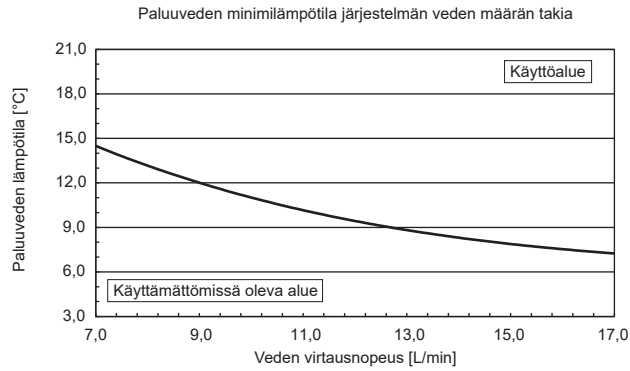
#### Huomautus:

- Vältä käyttämättömissä olevaa aluetta sulatuksen aikana.  
Muuten ulkoyksikkö ei sula riittävästi ja/tai sisäyksikön lämmönvaihdin saattaa jäätyä.
- Virtauslämpötila EI SAA olla koskaan alle 32 °C, kun ulkolämpötila laskee alle -15 °C:seen.  
Tällöin levylämmönvaihdin saattaa jäätyä ja vaurioitua, ja myös ulkolämmönvaihdin saattaa jäätyä riittämättömän sulatuksen vuoksi.

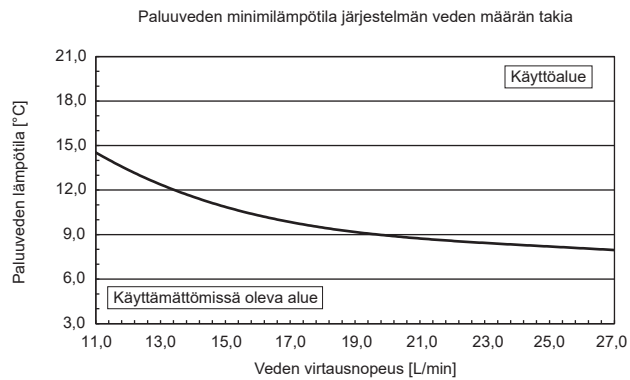
## 8. Vesiputkityöt

### ■ Jäähdytys

SUZ-SWM30VA SUZ-SHWM30VAH  
SUZ-SWM40VA2 SUZ-SHWM40VAH  
SUZ-SWM60VA2



SUZ-SWM80VA(H)2  
SUZ-SWM100VA(H)  
SUZ-SHWM60VAH



#### Huomautus:

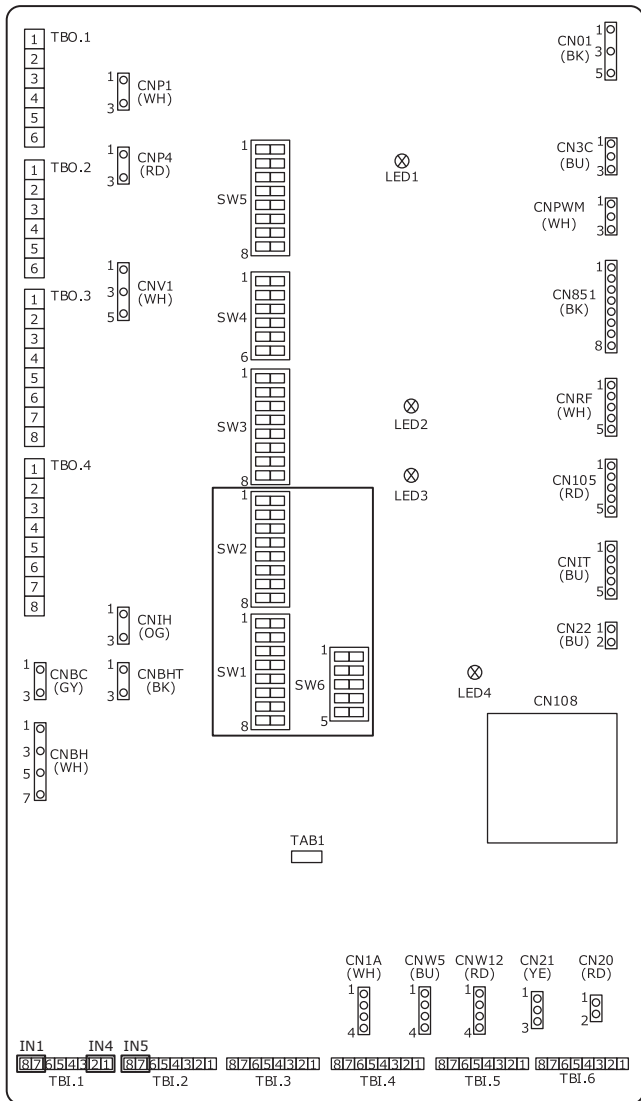
Vältä käyttämättömissä olevaa aluetta sulatuksen aikana.

Muuten ulkoyksikkö ei sulaa riittävästi ja/tai sisäyksikön lämmönvaihdin saattaa jäättyä.

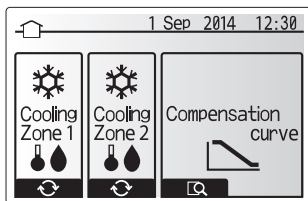
## 9. Tyhjennys pumppaamalla

Kun ulkoyksikkö siirretään tai hävitetään, järjestelmä on pumpattava tyhjäksi seuraavien ohjeiden mukaan, jotta kylmäainetta ei pääsisi ilmaan.

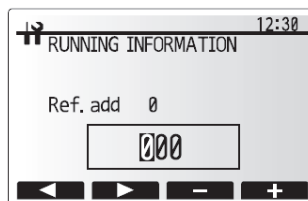
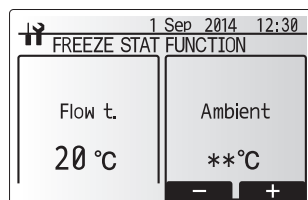
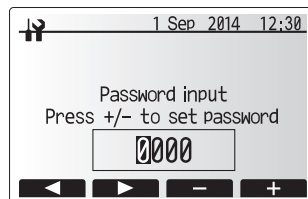
- ① Katkaise virransyöttö kaikista osista (mukaan lukien sisäyksikkö, lämmitin, ulkoyksikkö jne.).
- ② Liitä mittarin jakoputken venttiili ulkoyksikön kaasuputkipuolen sulkuventtiiliin huoltoporttiin.
- ③ Sulje ulkoyksikön nesteputkipuolen sulkuventtiili kokonaan.
- ④ Muuta sisäyksikön asetukset.
  - Aseta sisäyksikön piirilevyn DIP-kytkin SW1-3 OFF-asentoon, SW2-1 OFF-asentoon, SW2-4 ON-asentoon ja SW6-3 OFF-asentoon.
  - Irrota signaalitulot IN1 (huonetermostaatin tulo), IN4 (kysynnän säädön tulo) ja IN5 (ulkotermostaatin tulo).



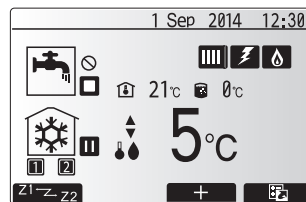
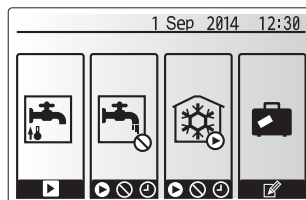
- ⑤ Kytke virransyöttö kaikkiin osiin.
- ⑥ Valitse sisäyksikön pääohjaimen päävalikosta "Heating/cooling mode" (Lämmitys/jäähdytystila) → "Cooling flow temp." (Jäähdytysvirtauksen lämpötila).



- ⑦ Valitse päävalikosta "Service" (Huolto) ja muuta asetus alla kuvatulla tavalla. Laite pyytää antamaan salasanan. TEHTAALLA ASETETTU SALASANAN OLETUSARVO on "0000".
  - Valitse "Operation settings" (Käyttöasetukset) → "Freeze stat function" (Jäähdytyksen toiminta) ja aseta vähimmäisulkolämpötila arvoon \* (tähti).
  - Valitse "Running information" (Käynnissäolotiedot) ja aseta viitearvoon 351.



- ⑧ Suorita kylmäaineen keräystoiminto.
  - Paina pääohjaimen ON/OFF-painiketta.
  - Valitse asetusvalikosta "Cooling ON" (Jäähdytys käyttöön).
  - Aseta virtauksen tavoitelämpötilaksi 5 °C. Jos järjestelmää ohjataan huonetermostaattilla, aseta huoneen tavoitelämpötilaksi 10 °C.
  - Kylmäaineen keräystoiminto alkaa 60 sekunnin kuluttua.
  - Jos kaipaat lisätietoja pääohjaimen asetuksista, perehdy asennusoppaaseen tai sisäyksikön käyttöoppaaseen.



Jatkuu seuraavalla sivulla.

## 9. Tyhjennys pumppaamalla

- ⑨ Sulje ulkoyksikön kaasuputkipuolen sulkuventtiili kokonaan, kun painemittarin lukema on 0,05–0 MPa [mittari] (noin 0,5–0 kgf/cm<sup>2</sup>), ja pysäytä ulkoyksikkö nopeasti.
- Pysäytä ulkoyksikkö painamalla kaukosäätimen ON/OFF-painiketta.
  - \* Huomaa, että jos paisuntaputkisto on hyvin pitkä ja siinä on paljon kylmäainetta, tyhjennyspumppausta ei ehkä pystytä suorittamaan. Kerää tässä tapauksessa järjestelmän kylmäaine kokonaan kylmäaineen talteenottolaitteella.
- ⑩ Aseta takaisin edellä vaiheessa ⑨ muutettu pääohjaimen asetus.
- ⑪ Pysäytä sisäyksikkö painamalla yksikön pääohjaimen ON/OFF-painiketta noin 3 sekuntia.
- ⑫ Aseta takaisin muualla kuin vaiheessa ⑨ muutetut pääohjaimen asetukset.
- \* "Running information" (Käynnissäolotiedot) -asetuksen palauttaminen: Aseta viiteosoitteeksi 350.
- ⑬ Katkaise virransyöttö kaikista osista ja aseta sisäyksikön piirilevyn DIP-kytkinten asetukset takaisin entisiin asetuksiin.
- ⑭ Irrota mittarin jakoputken venttiili ja irrota sitten kylmäaineputket.



### VAROITUS:

Jos jäähdytyspiirissä on vuoto, ÄLÄ tyhjennä pumppaamalla käyttämällä kompressoria.  
Kun kylmäainetta tyhjenetään pumppaamalla, kompressori on pysäytettävä ennen kylmäaineputkien irrottamista.

- Jos kylmäaineputket irrotetaan kompressorin ollessa käynnissä ja sulkuventtiilin (palloventtiilin) ollessa auki, putkeen voi päästä ilmaa ja kylmäainesyklin paine voi kohota liikaa, mikä voi aiheuttaa esimerkiksi putkien halkeilua tai henkilövahingon.



### HUOMIO:

ÄLÄ käytä tätä JÄÄHDYTYSTILAA yhdistettäessä sisäyksikköön, joka ei salli JÄÄHDYTYSTILAA muuta tarkoitusta kuin pumppaamalla tyhjentämistä varten.

## 10. Tekniset tiedot

Ulkoyksikkö		SUZ-SWM30VA	SUZ-SHWM30VAH	SUZ-SWM40VA2	SUZ-SHWM40VAH	SUZ-SWM60VA2
Virtalähde	V / vaihe / Hz	230 / yksivaihe / 50				
Mitat (L x K x S)	mm	800 x 714 x 285				
Äänenvoimakkuuden taso (lämmitys)	*1 dB(A)	57	57	57	58	60
	*2 dB(A)	54	54	54	55	56

Ulkoyksikkö		SUZ-SHWM60VAH	SUZ-SWM80VA(H)2	SUZ-SWM100VA(H)
Virtalähde	V / vaihe / Hz	230 / yksivaihe / 50		
Mitat (L x K x S)	mm	840 x 880 x 330		
Äänenvoimakkuuden taso (lämmitys)	*1 dB(A)	60	60	62
	*2 dB(A)	58	59	60

\*1. Mitattu nimellisellä toimintataajuudella ympäristön lämpötilan ollessa 7 °C DB / 6 °C WB ja ulostuloveden lämpötilan ollessa 55 °C

\*2. Mitattu EN12102:n mukaisesti EN14825:n mukaisissa olosuhteissa



EU DECLARATION OF CONFORMITY  
EU-KONFORMITÄTSEKTLÄRUNG  
DÉCLARATION DE CONFORMITÉ UE  
EU-CONFORMITEITSVERKLARING  
DECLARACIÓN DE CONFORMIDAD UE  
DICHIARAZIONE DI CONFORMITÀ UE  
ΔΗΛΩΣΗ ΣΥΜΜΟΡΦΩΣΗΣ ΕΕ  
DECLARAÇÃO DE CONFORMIDADE UE  
EU-OVERENSSTEMMELSESEKTLÆRING

EG-DEKLARATION OM ÖVERENSSTÄMMELSE  
AV UYGUNLUK BEYAN  
ДЕКЛАРАЦИЯ СООТВЕТСТВИЯ НОРМАМ ЕС  
ДЕКЛАРАЦІЯ ВІДПОВІДНОСТІ ВИМОГАМ ЄС  
ЕС ДЕКЛАРАЦІЯ ЗА СЪОТВЕТСТВИЕ  
DEKLARACJA ZGODNOŚCI UE  
EU-ERKLÆRING OM SAMSVAR  
EU-VAATIMUSTENMUKAISUUSVAKUUTUS  
EU PROHLÁŠENÍ O SHODĚ

EÚ VYHLÁSENIE O ZHODE  
EU MEGFELELŐSÉGI NYILATKOZAT  
IZJAVA EU O SKLADNOSTI  
DECLARAȚIE DE CONFORMITATE UE  
EL-I VASTAVUSDEKLARATSIOON  
ES ATBILSTĪBAS DEKLARĀCIJA  
ES ATITIKTIES DEKLARĀCIJA  
EU IZJAVA O SUKLADNOSTI  
EU IZJAVA O USAGLAŠENOSTI

**MITSUBISHI ELECTRIC CONSUMER PRODUCTS (THAILAND) CO., LTD**  
**700/406 MOO 7, TAMBON DON HUA ROH, AMPHUR MUANG, CHONBURI 20000, THAILAND**

hereby declares under its sole responsibility that the air conditioner(s) and heat pump(s) for use in residential, commercial, and light-industrial environments described below:  
erklärt hiermit auf seine alleinige Verantwortung, dass die Klimaanlage(n) und Wärmepumpe(n) für das häusliche, kommerzielle und leichtindustrielle Umfeld wie unten beschrieben:  
déclare par la présente et sous sa propre responsabilité que le(s) climatiseur(s) et la/les pompe(s) à chaleur destinés à un usage dans des environnements résidentiels, commerciaux et d'industrie légère décrits ci-dessous :  
verklaart hierbij onder eigen verantwoordelijkheid dat de voor huishoudelijke, handels- en lichtindustriële omgevingen bestemde airconditioner(s) en warmtepomp(en) zoals onderstaand beschreven:

por la presente declara, bajo su exclusiva responsabilidad, que el(los) acondicionador(es) de aire y la(s) bomba(s) de calor previsto(s) para su uso en entornos residenciales, comerciales y de industria ligera que se describen a continuación:

conferma con la presente, sotto la sua esclusiva responsabilità, che i condizionatori d'aria e le pompe di calore destinati all'utilizzo in ambienti residenziali, commerciali e semi-industriali e descritti di seguito:

με το παρόν δηλώνει με αποκλειστική ευθύνη ότι το ή τα κλιματιστικά και η ή οι αντλίες θερμότητας για χρήση σε οικιακά, εμπορικά και επαγγελματικά περιβάλλοντα που περιγράφονται παρακάτω:

declara pela presente, e sob sua exclusiva responsabilidade, que o(s) aparelho(s) de ar condicionado e a(s) bomba(s) de calor destinados a utilização em ambientes residenciais, comerciais e de indústria ligeira descritos em seguida:

erklærer hermed under eneansvar, at det/de herunder beskrevne airconditionanlæg og varmepumpe(r) til brug i beboelses- og erhvervs miljøer samt i miljøer med let industri:

intyggar härmed att luftkonditioneringarna och värmepumparna som beskrivs nedan för användning i bostäder, kommersiella miljöer och lätta industriella miljöer:

ev, ticaret ve hafif sanayi ortamlarında kullanıma yönelik aşağıda açıklanan klima ve ısıtma pompalarıyla ilgili aşağıdaki hususları yalnızca kendi sorumluluğunda olmak üzere beyan eder:

настоящим заявляет под свою исключительную ответственность, что кондиционер (-ы) и тепловой (-ые) насос (-ы) для использования в описанных ниже жилых, коммерческих и небольших складских и промышленных помещениях:

цим заявляю, беручи на себе повну відповідальність за це, що кондиціонер (-и) й тепловий (-и) насос (-и), описані нижче й призначені для використання в житлових приміщеннях, торговельних залах і на підприємствах легкої промисловості:

декларира с настоящата на своя собствена отговорност, че климатикът(те) и термомпата(ите), посочени по-долу и предназначени за употреба в жилища, търговски и лекопромишлени среди:

niniejszym oświadczam na swoją wyłączną odpowiedzialność, że klimatyzatory i pompy ciepła do zastosowań w środowisku mieszkalnym, handlowym i lekko przemysłowym opisane poniżej:

erklærer et fullstendig ansvar for undernevnte klimaapparat og varmepumper ved bruk i boliger, samt kommersielle og lettindustrielle miljøer:

vakuuttaa täten yksinomaista vastuutaan, että jäljempänä kuvutat asuinrakennuksiin, pienteeollisuuskäyttöön ja kaupalliseen käyttöön tarkoitettuihin ilmastointilaitteisiin ja lämpöpumpuihin:

tímto na vlastní odpovědnost prohlašuje, že níže popsané klimatizační jednotky a tepelná čerpadla pro použití v obytných prostředích, komerčních prostředích a prostředích lehkého průmyslu:

týmto na svoju výlučnú zodpovednosť vyhlasuje, že nasledovné klimatizačné jednotky a tepelné čerpadlá určené na používanie v obytných a obchodných priestoroch a v prostredí ľahkého priemyslu:

alulírott kizárólagos felelősségére nyilatkozik, hogy az alábbi lakossági, kereskedelmi és kisipari környezetben való használatra szánt klímaberendezés(ek) és hőszivattyú(k):

na lastno odgovornost izjavlja, da so spodaj opisane klimatske naprave in toplotne črpalke, namenjene za uporabo v stanovanjskih, poslovnih in lahkoindustrijskih okoljih:

declară prin prezenta, pe proprie răspundere, faptul că aparatele de climatizare și pompele de căldură descrise mai jos și destinate utilizării în medii rezidențiale, comerciale și din industria ușoară:

kinnitab oma ainuvastutusest, et allpool toodud elu-, äri- ja kergtööstuskeskkondades kasutamiseks mõeldud kliimaseadmed ja soojuspumbad:

ar šo, vienpersoniski uzņemoties atbildību, paziņo, ka tālāk aprakstītais(-tie) gaisa kondicionētājs(-i) un siltumsūkņis(-i) ir paredzēti lietošanai dzīvojamajās, komercdarbības un vieglās rūpniecības telpās, kas aprakstītas tālāk:

šiuo vien tik savo atsakomybe pareiškia, kad toliau apibūdintas (-i) oro kondicionierius (-iai) ir šilumos siurblys (-iai), skirtas (-i) naudoti toliau apibūdintose gyvenamosiose, komercinėse ir lengvosios pramonės aplinkose:

ovime izjavljuje pod isključivom odgovornošću da je/su klimatizacijski uređaji(i) i toplinska dizalica(e) opisan(i) u nastavku namijenjen(i) za upotrebu u stambenim i poslovnim okruženjima te okruženjima lake industrije:

ovim izjavljuje na svoju isključivu odgovornost da su klima-uređaji i toplotne pumpe za upotrebu u stambenim, komercijalnim okruženjima i okruženjima lake industrije opisani u nastavku:

**MITSUBISHI ELECTRIC, SUZ-SWM30VA\*, SUZ-SWM40VA\*, SUZ-SWM60VA\*, SUZ-SWM80VA\*, SUZ-SWM100VA\***  
**SUZ-SHWM30VAH\*, SUZ-SHWM40VAH\*, SUZ-SHWM60VAH\*, SUZ-SWM80VAH\*, SUZ-SWM100VAH\***  
**\* : , , 1, 2, 3, , , , 9**

is/are in conformity with provisions of the following Union harmonisation legislation.  
die Bestimmungen der folgenden Harmonisierungsrechtsvorschriften der Union erfüllen/

erfüllen.  
est/sont conforme(s) aux dispositions de la législation d'harmonisation de l'Union

suivante.  
voldoet/voldoen aan bepalingen van de volgende harmonisatiewetgeving van de Unie.

cumple(n) con las disposiciones de la siguiente legislación de armonización de la Unión.

sono in conformità con le disposizioni della seguente normativa dell'Unione sull'armonizzazione.

συμμορφώνονται με τις διατάξεις της ακόλουθης νομοθεσίας εναρμόνισης της Ένωσης.

está/estão em conformidade com as disposições da seguinte legislação de harmonização da União.

er i overensstemmelse med bestemmelserne i følgende harmoniserede EU-lovgivning.

uppfyller villkoren i följande harmoniserade föreskrifter inom unionen.

აşağıdaki Avrupa Birliği uyumlaştırma mevzuatının hükümlerine uygundur.

соответствуют положениям следующих законодательных актов Союза о гармонизации.

2014/35/EU: Low Voltage Directive  
2006/42/EC: Machinery Directive  
2014/30/EU: Electromagnetic Compatibility Directive  
2011/65/EU, (EU) 2015/863 and (EU) 2017/2102: RoHS Directive  
2009/125/EC: Energy-related Products Directive and Regulation (EU) No 813/2013

відповідають положенням вказаного далі законодавства Союзу щодо гармонізації.  
е/са в съответствие с разпоредбите на следното законодателство на Съюза за

хармонизация.  
są zgodne z przepisami następującego unijnego prawodawstwa harmonizacyjnego.

er i samsvar med forskriftene til følgende EU-lovgivning om harmonisering.

ovat seuraavan unionin yhdenmukaistamislainsäädännön säännösten mukaisia.

jsou v souladu s ustanoveními následujících harmonizačních právních předpisů Unie.

spĺňajú ustanovenia nasledujúcich harmonizovaných noriem EÚ.

megfelel(nek) az Unió alábbi harmonizációs jogszabályi előírásainak.

v skladu z določbami naslednje usklajevalne zakonodaje Unije.

sunt în conformitate cu dispozițiile următoare legislații de armonizare a Uniunii.

atbilst šādiem ES harmonizētajiem tiesību aktu noteikumiem.

taip pat atitinka kitų toliau išvardytų suderintųjų Sąjungos direktyvų nuostatas.

sukladan(i) odredbama sljedećeg zakonodavstva Unije za sukladnost.

u skladu sa odredbama sledećeg usklađivanja zakonodavstva Unije.

## <ENGLISH>

English is original. The other languages versions are translation of the original.

### ▲ CAUTION

- Refrigerant leakage may cause suffocation. Provide ventilation in accordance with EN378-1.
- Be sure to wrap insulation around the piping. Direct contact with the bare piping may result in burns or frostbite.
- Never put batteries in your mouth for any reason to avoid accidental ingestion.
- Battery ingestion may cause choking and/or poisoning.
- Install the unit on a rigid structure to prevent excessive operation sound or vibration.
- The A-weighted sound pressure level is below 70dB.
- This appliance is intended to be used by expert or trained users in shops, in light industry and on farms, or for commercial use by lay persons.

## <DEUTSCH>

Das Original ist in Englisch. Die anderen Sprachversionen sind vom Original übersetzt.

### ▲ VORSICHT

- Wenn Kältemittel austritt, kann dies zu Ersticken führen. Sorgen Sie in Übereinstimmung mit EN378-1 für Durchlüftung.
- Die Leitungen müssen isoliert werden. Direkter Kontakt mit nicht isolierten Leitungen kann zu Verbrennungen oder Erfrierungen führen.
- Nehmen Sie niemals Batterien in den Mund, um ein versehentliches Verschlucken zu vermeiden.
- Durch das Verschlucken von Batterien kann es zu Erstickungen und/oder Vergiftungen kommen.
- Installieren Sie das Gerät auf einem stabilen Untergrund, um übermäßige Betriebsgeräusche oder -schwingungen zu vermeiden.
- Der A-gewichtete Schalldruckpegel ist niedriger als 70dB.
- Dieses Gerät ist vorgesehen für die Nutzung durch Fachleute oder geschultes Personal in Werkstätten, in der Leichtindustrie und in landwirtschaftlichen Betrieben oder für die kommerzielle Nutzung durch Laien.

## <FRANÇAIS>

L'anglais est l'original. Les versions fournies dans d'autres langues sont des traductions de l'original.

### ▲ PRECAUTION

- Une fuite de réfrigérant peut entraîner une asphyxie. Fournissez une ventilation adéquate en accord avec la norme EN378-1.
- Assurez-vous que la tuyauterie est enveloppée d'isolant. Un contact direct avec la tuyauterie nue peut entraîner des brûlures ou des engelures.
- Ne mettez jamais des piles dans la bouche pour quelque raison que ce soit pour éviter de les avaler par accident.
- Le fait d'ingérer des piles peut entraîner un étouffement et/ou un empoisonnement.
- Installez l'appareil sur une structure rigide pour prévenir un bruit de fonctionnement et une vibration excessifs.
- Le niveau de pression acoustique pondéré est en dessous de 70 dB.
- Cet appareil est conçu pour un utilisateur expert ou les utilisateurs formés en magasin, dans l'industrie légère et dans l'agriculture ou dans le commerce par le profane.

## <NEDERLANDS>

Het Engels is het origineel. De andere taalversies zijn vertalingen van het origineel.

### ▲ VOORZICHTIG

- Het lekken van koelvloeistof kan verstikking veroorzaken. Zorg voor ventilatie in overeenstemming met EN378-1.
- Isoleer de leidingen met isolatiemateriaal. Direct contact met de onbedekte leidingen kan leiden tot brandwonden of bevriezing.
- Stop nooit batterijen in uw mond om inslikking te voorkomen.
- Het inslikken van batterijen kan verstikking of vergiftiging veroorzaken.
- Installeer het apparaat op een stabiele structuur om overmatig lawaai of trillingen te voorkomen.
- Het niveau van de geluidsdruk ligt onder 70 dB(A).
- Dit apparaat is bedoeld voor gebruik door ervaren of opgeleide gebruikers in werkplaatsen, in de lichte industrie en op boerderijen, of voor commercieel gebruik door leken.

## <ESPAÑOL>

El idioma original del documento es el inglés. Las versiones en los demás idiomas son traducciones del original.

### ▲ CUIDADO

- Las pérdidas de refrigerante pueden causar asfixia. Se debe proporcionar la ventilación determinada en EN378-1.
- Asegúrese de colocar el aislante alrededor de las tuberías. El contacto directo con la tubería puede ocasionar quemaduras o congelación.
- Para evitar una ingestión accidental, no coloque las pilas en su boca bajo ningún concepto.
- La ingestión de las pilas puede causar asfixia y/o envenenamiento.
- Coloque la unidad en una estructura rígida para evitar que se produzcan sonidos o vibraciones excesivos debidos a su funcionamiento.
- El nivel de presión acústica ponderado A es inferior a 70 dB.
- Este aparato está destinado a su uso por parte de usuarios expertos o capacitados en talleres, industrias ligeras y granjas, o a su uso comercial por parte de personas no expertas.

## <ITALIANO>

Il testo originale è redatto in lingua Inglese. Le altre versioni linguistiche rappresentano traduzioni dell'originale.

### ▲ ATTENZIONE

- Le perdite di refrigerante possono causare asfissia. Prevedere una ventilazione adeguata in conformità con la norma EN378-1.
- Accertarsi di applicare materiale isolante intorno alle tubature. Il contatto diretto con le tubature non schermate può provocare ustioni o congelamento.
- Non introdurre in nessun caso le batterie in bocca onde evitare ingestioni accidentali.
- L'ingestione delle batterie può provocare soffocamento e/o avvelenamento.
- Installare l'unità su una struttura rigida in modo da evitare rumore o vibrazioni eccessivi durante il funzionamento.
- Il livello di pressione del suono ponderato A è inferiore a 70dB.
- Questa apparecchiatura è destinata all'utilizzo da parte di utenti esperti o addestrati in negozi, industria leggera o fattorie oppure a un uso commerciale da parte di persone non esperte.

## <ΕΛΛΗΝΙΚΑ>

Η γλώσσα του πρωτοτύπου είναι η αγγλική. Οι εκδόσεις άλλων γλωσσών είναι μεταφράσεις του πρωτοτύπου.

### ▲ ΠΡΟΣΟΧΗ

- Η διαρροή του ψυκτικού ενδέχεται να προκαλέσει ασφυξία. Φροντίστε για τον εξαερισμό σύμφωνα με το πρότυπο EN378-1.
- Φροντίστε να τυλίξετε με μονωτικό υλικό τη σωλήνωση. Η απευθείας επαφή με τη γυμνή σωλήνωση ενδέχεται να προκαλέσει εγκαυμάτα ή κρυοπαγήματα.
- Μη βάζετε ποτέ τις μπαταρίες στο στόμα σας για κανένα λόγο ώστε να αποφύγετε την κατά λάθος κατάποσή τους.
- Η κατάποση μπαταριών μπορεί να προκαλέσει πνιγμό ή/και δηλητηρίαση.
- Εγκαταστήστε τη μονάδα σε σταθερή κατασκευή ώστε να αποφύγετε τον έντονο ήχο λειτουργίας ή τους κραδασμούς.
- Η Α-σταθμισμένη στάθμη ηχητικής πίεσης είναι κάτω των 70dB.
- Η Α-σταθμισμένη στάθμη ηχητικής πίεσης είναι κάτω των 70dB.
- Η συσκευή αυτή προορίζεται για χρήση από εμπειροπρόσητους ή εκπαιδευμένους χρήστες σε καταστήματα, στην ελαφριά βιομηχανία και σε αγροκτήματα, ή για εμπορική χρήση από άτομα τα οποία δεν είναι ειδήμονες.

## <PORTUGUÊS>

O idioma original é o inglês. As versões em outros idiomas são traduções do idioma original.

### ▲ CUIDADO

- A fuga de refrigerante pode causar asfixia. Garanta a ventilação em conformidade com a norma EN378-1.
- Certifique-se de que envolve as tubagens com material de isolamento. O contacto directo com tubagens não isoladas pode resultar em queimaduras ou ulcerações provocadas pelo frio.
- Nunca coloque pilhas na boca, por nenhum motivo, para evitar a ingestão accidental.
- A ingestão de uma pilha pode causar obstrução das vias respiratórias e/ou envenenamento.
- Instale a unidade numa estrutura robusta, de forma a evitar ruídos ou vibrações excessivos durante o funcionamento.
- O nível de pressão sonora ponderado A é inferior a 70 dB.
- Este equipamento destina-se a ser utilizado por especialistas ou utilizadores com formação em lojas, na indústria ligeira e em quintas, ou para utilização comercial por leigos.

## <DANSK>

Engels er originalen. De andre sprogversioner er oversættelser af originalen.

### ▲ FORSIGTIG

- Lækage af kølemiddel kan forårsage kvælning. Sørg for udluftning i overensstemmelse med EN378-1.
- Sørg for at pakke rørene ind i isolering. Direkte kontakt med ubeklædte rør kan forårsage forbrændinger eller forfrysninger.
- Batterier må under ingen omstændigheder tages i munden for at forhindre utilsigtet indtagelse.
- Indtagelse af batterier kan forårsage kvælning og/eller forgiftning.
- Installer enheden på en fast struktur for at forhindre for høje driftslyde eller vibrationer.
- Det A-vægtede lydtrykniveau er under 70dB.
- Dette apparat er beregnet til at blive brugt af eksperter eller udlærte brugere i butikker, inden for let industri og på gårde eller til kommerciel anvendelse af lægmænd.

## <SVENSKA>

Engelska är originalspråket. De övriga språkversionerna är översättningar av originalet.

### ▲ FÖRSIKTIGHET

- Köldmedelsläckage kan leda till kvävning. Tillhandahåll ventilation i enlighet med EN378-1.
- Kom ihåg att linda isolering runt rören. Direktkontakt med bara rör kan leda till brännskador eller köldskador.
- Stoppa aldrig batterier i munnen, de kan sväljas av misstag.
- Om ett batteri sväljs kan det leda till kvävning och/eller förgiftning.
- Montera enheten på ett stadigt underlag för att förhindra höga driftljud och vibrationer.
- Den A-vägdade ljudtrycksnivån är under 70dB.
- Denna apparat är ämnad för användning av experter eller utbildade användare i affärer, inom lätt industri och på lanbruk, eller för kommersiell användning av lekmän.

## <TÜRKÇE>

Aslı İngilizce'dir. Diğer dillerdeki sürümler aslının çevirisidir.

### ▲ DİKKAT

- Soğutucu kaçağı boğulmaya neden olabilir. EN378-1 uyarınca uygun havalandırma sağlayın.
- Borular etrafına yalıtım yapıldığından emin olun. Borulara doğrudan çıplak elle dokunulması yanıklara veya soğuk ısırıklarına neden olabilir.
- Kazara yutmamak için, pilleri kesinlikle hiçbir amaçla ağzınızda tutmayın.
- Pillerin yutulması boğulmaya ve/veya zehirlenmeye yol açabilir.
- Aşırı çalıma seslerini veya titreşimi önlemek için, üniteyi sağlam bir yapı üzerine monte edin.
- A ağırıklı ses gücü seviyesi 70dB'nin altındadır.
- Bu cihaz tıbbiyleerde, hafif endüstriyel tesislerde ve çiftliklerde uzman veya eğitimli kullanıcılar tarafından kullanılmak üzere veya normal kullanıcılar tarafından ticari kullanım için tasarlanmıştır.

## <РУССКИЙ>

Языком оригинала является английский. Версии на других языках являются переводом оригинала.

### ▲ ОСТОРОЖНО

- Утечка хладагента может стать причиной удушья. Обеспечьте вентиляцию в соответствии с EN378-1.
- Обязательно оберните трубы изоляционным материалом. Непосредственный контакт с неизолированным трубопроводом может привести к ожогам или обморожению.
- Запрещается класть элементы питания в рот по каким бы то ни было причинам во избежание случайного проглатывания.
- Попадание элемента питания в пищеварительную систему может стать причиной удушья и/или отравления.
- Устанавливайте устройство на жесткую структуру во избежание чрезмерного шума или чрезмерной вибрации во время работы.
- Уровень звукового давления по шкале A не превышает 70 дБ.
- Данное устройство предназначено для использования специалистами или обученным персоналом в магазинах, на предприятиях легкой промышленности и фермах или для коммерческого применения неспециалистами.

## <УКРАЇНСЬКА>

Переклад оригіналу. Текст іншими мовами є перекладом оригіналу.

### ▲ ОБЕРЕЖНО

- Виток холодагента може призвести до удушся. Необхідно забезпечити вентиляцію відповідно до стандарту EN 378-1.
- Труби необхідно обмотати ізоляційним матеріалом. Прямий контакт із непокритою трубою може призвести до опіку або обмороження.
- Забороняється класти елементи живлення в рот із будь-яких причин, оскільки є ризик випадково їх проковтнути.
- Попадання елемента живлення в травну систему може стати причиною задхуки та/або отруєння.
- Встановлюйте блок на міцній конструкції, щоб уникнути надмірного рівня звуку роботи або вібрації.
- Рівень амплітудно зваженого акустичного тиску становить нижче 70 дБ.
- Цей прилад призначається для використання спеціалістами або особами, що пройшли відповідне навчання, у кранницях, легкій промисловості та сільськогосподарських підприємствах, а також для комерційного використання неспеціалістами.

## <БЪЛГАРСКИ>

Оригиналът е текстът на английски език. Версиите на други езици са преводи на оригинала.

### ▲ ВНИМАНИЕ

- Изтичането на хладилен агент може да причини задушаване. Осигурете вентилация съобразно с EN378-1.
- Не забравяйте да уветите изолация около тръбите. Директният контакт с оголени тръби може да причини изгаряне или измръзване.
- При никакви обстоятелства не поставяйте батериите в устата си, за да не ги поглънете по невнимание.
- Това може да доведе до задушаване и/или натравяне.
- Монтирайте тялото върху твърда конструкция, за да предотвратите прекомерен шум или вибрации по време на работа.
- А-претегленото ниво на звуково налягане е под 70 dB.
- Този уред е предназначен за използване от експерти или обучени потребители в магазини, в леката промишленост и във ферми, или за търговска употреба от неспециалисти.



Please be sure to put the contact address/telephone number on this manual before handing it to the customer.

**mitsubishi electric corporation**

HEAD OFFICE: TOKYO BUILDING, 2-7-3, MARUNOUCHI, CHIYODA-KU, TOKYO 100-8310, JAPAN

# Air to Water Heat Pump

## SUZ-SWM·VA(H) series

## SUZ-SHWM·VAH series

INSTALLATION MANUAL	FOR INSTALLER	English
INSTALLATIONSHANDBUCH	FÜR INSTALLATEURE	Deutsch
MANUEL D'INSTALLATION	POUR L'INSTALLATEUR	Français
INSTALLATIEHANDLEIDING	VOOR DE INSTALLATEUR	Nederlands
MANUAL DE INSTALACIÓN	PARA EL INSTALADOR	Español
MANUALE DI INSTALLAZIONE	PER L'INSTALLATORE	Italiano
ΕΓΧΕΙΡΙΔΙΟ ΟΔΗΓΙΩΝ ΕΓΚΑΤΑΣΤΑΣΗΣ	ΓΙΑ ΑΥΤΟΝ ΠΟΥ ΚΑΝΕΙ ΤΗΝ ΕΓΚΑΤΑΣΤΑΣΗ	Ελληνικά
MANUAL DE INSTALAÇÃO	PARA O INSTALADOR	Português
INSTALLATIONSMANUAL	TIL INSTALLATØREN	Dansk
INSTALLATIONSMANUAL	FÖR INSTALLATÖREN	Svenska
MONTAJ ELKİTABI	MONTÖR İÇİN	Türkçe
РУКОВОДСТВО ПО УСТАНОВКЕ	ДЛЯ УСТАНОВИТЕЛЯ	Русский
ПОСІБНИК З УСТАНОВЛЕННЯ	ДЛЯ СПЕЦІАЛІСТА З МОНТАЖУ	Українська
РЪКОВОДСТВО ЗА МОНТАЖ	ЗА МОНТАЖНИКА	Български
INSTRUKCJA MONTAŻU	DLA INSTALATORA	Polski
INSTALLASJONSHÅNDBOK	FOR MONTØR	Norsk
ASENNUSOPAS	ASENTAJALLE	Suomi
INSTALAČNÍ PŘÍRUČKA	PRO MONTÁŽNÍ PRACOVNÍKY	Čeština
NÁVOD NA INŠTALÁCIU	PRE MONTÉRA	Slovenčina
TELEPÍTÉSI KÉZIKÖNYV	A TELEPÍTŐ RÉSZÉRE	Magyar
NAMESTITVENI PRIROČNIK	ZA MONTERJA	Slovenščina
MANUAL DE INSTALARE	PENTRU INSTALATOR	Română
PAIGALDUSJUHEND	PAIGALDAJALE	Eesti
MONTĀŽAS ROKASGRĀMATA	UZSTĀDĪŠANAS SPECIĀLISTAM	Latviski
MONTAVIMO VADOVAS	SKIRTA MONTUOTOJUI	Lietuviškai
PRIRUČNIK ZA POSTAVLJANJE	ZA INSTALATERA	Hrvatski
UPUTSTVO ZA UGRADNJU	ZA MONTERA	Srpski

1. Bezpečnostní opatření.....	1	6. Elektroinstalace.....	9
2. Výběr místa montáže.....	3	7. Údržba.....	10
3. Schéma montáže.....	5	8. Vodní potrubí.....	11
4. Vypouštěcí potrubí venkovní jednotky.....	5	9. Vypuštění chladicího média.....	13
5. Potrubí chladicího média.....	6	10. Specifikace.....	14



**Poznámka: Tato značka platí pouze pro EU.**

Tato značka se vztahuje ke směrnici 2012/19/EU, článek 14: Informace pro uživatele a příloha IX.

Produkt MITSUBISHI ELECTRIC je navržen a vyráběn z vysoce kvalitních materiálů a součástí, které lze recyklovat a znovu použít.

Tato značka znamená, že elektrická a elektronická zařízení je třeba na konci jejich životnosti vyhodit do tříděného odpadu.

Zařízení vyhazujte v místním centru pro sběr/recyklaci odpadu.

V zemích Evropské unie existují samostatné sběrné systémy určené pro elektrické a elektronické produkty.

Pomáhejte nám zachovat životní prostředí, ve kterém žijeme!

## ⚠ POZOR:

- Nevypouštějte R32 do atmosféry.

## 1. Bezpečnostní opatření

- ▶ Před montáží jednotky prostudujte veškeré pokyny v části „Bezpečnostní opatření“.
- ▶ Před připojením k systému tuto skutečnost oznamte a vyžádejte si souhlas od poskytovatele úřadu.

## ⚠ VÝSTRAHA:

Bezpečnostní opatření, která je nutné dodržovat, aby nedošlo ke zranění nebo usmrcení.

## ⚠ POZOR:

Bezpečnostní opatření, která je nutné dodržovat, aby nedošlo k poškození jednotky.

Po dokončení montážních prací vysvětlete zákazníkovi „Bezpečnostní opatření“, použití a údržbu jednotky podle informací v provozní příručce a proveďte zkušební provoz, abyste zajistili správnost provozu. Zákazník musí obdržet návod k montáži i provozní příručku. Tyto příručky musí být předány všem následným uživatelům.

⚡ : Označuje součást, kterou je nutné uzemnit.

## ⚠ VÝSTRAHA:

Pozorně si přečtěte štítky připevněné k hlavní jednotce.

Ⓢ : Znárodně vystrahy a upozornění při použití chladicího média R32.

## VÝZNAM SYMBOLŮ UVEDENÝCH NA VNITŘNÍ JEDNOTCE A/NEBO VENKOVNÍ JEDNOTCE

	<b>VÝSTRAHA</b> (Nebezpečí požáru)	Tato značka platí pouze pro chladicí médium R32. Typ chladicího média je uveden na štítku vnější jednotky. Jestliže je typ chladicího média R32, používá tato jednotka hořlavé chladicí médium. V případě úniku chladicího média nebo kontaktu chladicího média s ohněm nebo topným tělesem dochází ke vzniku škodlivých plynů a hrozí nebezpečí požáru.
	Před zahájením práce si přečtěte PROVOZNÍ PŘÍRUČKU.	
	Servisní pracovníci jsou povinni si před zahájením práce pečlivě přečíst PROVOZNÍ PŘÍRUČKU i INSTALAČNÍ PŘÍRUČKU.	
	Další informace jsou k dispozici v PROVOZNÍ PŘÍRUČCE, INSTALAČNÍ PŘÍRUČCE apod.	

## ⚠ VÝSTRAHA:

- Montáž jednotky nesmí provádět uživatel. Montáž nebo opravu jednotky musí provést prodejce nebo autorizovaný technik. V případě nesprávné montáže jednotky hrozí únik vody, zásah elektrickým proudem nebo požár.
- Při montáži nebo přemístování dodržujte pokyny v instalační příručce a používejte nástroje a součásti potrubí speciálně určené k použití s chladicím médiem R32. V případě použití součástí potrubí, které nejsou určeny pro chladicí médium R32, a nesprávné montáží jednotky hrozí prasknutí potrubí s následkem poškození nebo zranění. Rovněž hrozí únik vody, zásah elektrickým proudem nebo požár.
- Montáž jednotky musí být provedena v souladu s pokyny, aby se minimalizovalo riziko poškození v důsledku zemětřesení, tajfunů nebo silného větru. Nesprávně namontovaná jednotka může spadnout a způsobit škodu na majetku nebo zranění.
- Jednotku je nutné bezpečně namontovat na stavební konstrukci, která unese její hmotnost. Jednotka namontovaná na nestabilní stavební konstrukci by mohla spadnout a způsobit škodu na majetku nebo zranění.
- Pokud je tepelné čerpadlo vzduch-voda namontováno v malé místnosti, je nutné provést opatření zajišťující, aby v případě úniku chladicího média koncentrace chladicího média v místnosti nepřesáhla bezpečnostní limit. Poradte se s prodejcem o odpovídajících opatřeních bránících překročení přípustné koncentrace. Pokud dojde k úniku chladicího média a překročení limitu koncentrace, hrozí nebezpečí vyplývající z nedostatku kyslíku v místnosti.
- Pokud během provozu dojde k úniku chladicího média, vyvětrejte místnost. Při kontaktu chladicího média s plameny dochází k uvolňování jedovatých plynů.
- Veškeré elektroinstalační práce musí provádět kvalifikovaný technik v souladu s místními předpisy a pokyny uvedenými v této příručce. Napájení jednotek musí být zajištěno pomocí vyhrazených elektrických obvodů a musí být použito správné napětí a jističe. Elektrická vedení s nedostatečnou kapacitou nebo nesprávně provedená elektroinstalace může vést k úrazu elektrickým proudem nebo vzniku požáru.
- K připojení bezešvých trubek potrubí chladicího média z mědi a slitin mědi použijte pájku C1220 měď – fosfor. Pokud není potrubí spojeno správně, nebude jednotka správně uzemněna a hrozí zásah elektrickým proudem.
- Toto zařízení je určeno pro prodejny, lehký průmysl a farmy, kde je musí obsluhovat odborníci a školení uživatelé, a pro komerční použití, kde je mohou obsluhovat laici.
- Při instalaci vedení používejte pouze určené kabely. Vodiče je třeba zapojit bezpečně tak, aby na svorky nepůsobilo žádné pnutí. Kabely nikdy nespojujte (pokud není v návodu uvedeno jinak). Nedodržení těchto pokynů může mít za následek přehřátí nebo požár.
- Pokud je napájecí kabel poškozen, nechte jej vyměnit výrobcem, jeho servisním zástupcem nebo podobně kvalifikovanou osobou, abyste předešli možnému nebezpečí.
- Zařízení je nutné instalovat v souladu s místními předpisy pro elektroinstalaci.
- Krycí panel svorkovnice venkovní jednotky musí být pevně připevněn. Pokud je krycí panel nesprávně namontován a do jednotky vnikne prach nebo vlhkost, hrozí zásah elektrickým proudem nebo požár.

# 1. Bezpečnostní opatření

- Při montáži, přemístování nebo opravách tepelného čerpadla vzduch-voda použijte k naplnění chladicího potrubí pouze určené chladicí médium (R32). Nemíchejte ho s jiným chladicím médiem a zajistěte, aby v potrubí nezůstal žádný vzduch. Kontakt vzduchu s chladicím médiem může být příčinou nadměrně vysokého tlaku v chladicím potrubí a může mít za následek explozi a další rizika. Jiné než určené chladicí médium může způsobit mechanické vady nebo selhání systému či celé jednotky. V nejhorším případě může dojít k vážnému selhání zajištění bezpečnosti produktu.
- Použijte pouze příslušenství schválené společností Mitsubishi Electric namontované prodejcem nebo autorizovaným technikem. V případě nesprávné montáže příslušenství hrozí únik vody, zásah elektrickým proudem nebo požár.
- Na jednotce neprovádějte úpravy. Může to způsobit požár, elektrický šok, zranění nebo únik vody.
- Uživatel nikdy nesmí sám provádět opravy a přemístování jednotky. V případě nesprávné montáže jednotky hrozí únik vody, zásah elektrickým proudem nebo požár. Nutné opravy nebo přemístění tepelného čerpadla vzduch-voda musí provést prodejce nebo autorizovaný technik.
- Jestliže dochází k úniku na chladicím okruhu, NEPROVÁDĚJTE odčerpání pomocí kompresoru.
- Při vypouštění chladicího média vypněte před odpojením potrubí chladicího média kompresor. Pokud se do kompresoru dostane vzduch atd., může dojít k jeho prasknutí.
- Po dokončení montáže zkontrolujte, zda nedochází k úniku chladicího média. V případě úniku chladicího média do místnosti by při styku s plamenem topného tělesa nebo přenosného vaříče došlo k uvolňování jedovatého plynu.
- K urychlení odmrazování nebo k čištění zařízení používejte pouze prostředky, které jsou doporučeny výrobcem.
- Příklad musí být uložen v místnosti bez nepřetržitě provozovaného zdroje vznícení (např. otevřeného ohně, plynového spotřebiče nebo elektrického ohříváče).

- Jednotku nepropichujte ani nespalujte.
- Mějte na paměti, že chladicí médium nesmí zapáchat.
- Je nutno zajistit ochranu potrubí před fyzickým poškozením.
- Je nutno zajistit, aby instalace potrubí měla minimální rozsah.
- Je nutno zajistit dodržení místních předpisů platných pro zacházení s plynem.
- Veškeré potřebné větrací otvory musí být trvale udržovány v přístupném a průchodném stavu.
- K pájení potrubí pro chladicí médium nepoužívejte pájecí slitinu s nízkou pracovní teplotou.
- Při pájení dávejte pozor, aby byla místnost dobře větraná. Ujistěte se, že v blízkosti nejsou žádné nebezpečné či hořlavé materiály. Jestliže práci provádíte v uzavřené místnosti, malé místnosti nebo na jiném podobném místě, než začnete pracovat, tak se ujistěte, že nedochází k úniku chladicího média. Jestliže chladicí médium uniká a nahromadí se, může vzplanout anebo může dojít k úniku jedovatých plynů.
- Zařízení musí být uloženo v dobře ventilované oblasti, kde velikost místnosti odpovídá ploše místnosti specifikované k provozu.
- Udržujte zařízení spalující plyn, elektrické přímotopy a jiné zdroje ohně (či zdroje vzniku plamene) v dostatečné vzdálenosti od místa, kde bude prováděna montáž, oprava nebo jiné práce na tepelném čerpadle vzduch-voda. Při kontaktu chladicího média s plameny dochází k uvolňování jedovatých plynů.
- Během prací a přepravy je zakázáno kouřit.
- Nepřidávejte chladiva více než maximální množství každé venkovní jednotky. Pokud se překročí maximální množství chladiva, mohlo by dojít k požáru, když chladivo unikne.

## 1.1. Před instalací

### POZOR:

- Nepoužívejte jednotku v nestandardním prostředí. Pokud je tepelné čerpadlo vzduch-voda namontováno v místech, na kterých je vystaveno působení páry, těkavých olejů (včetně strojního oleje), oxidu siřičitého či vzduchu s vysokým obsahem soli, např. u moře, nebo na místech, kde bude pokryto sněhem, bude výkon výrazně omezen a může dojít k poškození vnitřních součástí.
- Neumisťujte jednotku na místa, kde může docházet k úniku, tvorbě, průtoku nebo hromadění hořlavých plynů. Hořlavé plyny nahromaděné kolem jednotky mohou způsobit požár nebo výbuch.

- Při topení dochází ve venkovní jednotce ke kondenzaci. Pokud lze předpokládat možné poškození v důsledku kondenzace, zajistěte kolem venkovní jednotky odpovídající odvodnění.
- Při montáži jednotky v nemocnici nebo v komunikační provozovně je nutné předpokládat hluk a elektronické rušení. Invertovy, domácí spotřebiče, vysokofrekvenční zdravotnická zařízení a rádiová komunikační zařízení mohou způsobit poruchu nebo poškození tepelného čerpadla vzduch-voda. Tepelné čerpadlo vzduch-voda může ovlivňovat zdravotnická zařízení a narušovat zdravotní péči a také komunikační zařízení a narušovat kvalitu zobrazení na obrazovce.

## 1.2. Postup před montáží (přemístováním)

### POZOR:

- Při přepravě a montáži jednotek postupujte velmi opatrně. Jednotka váží 20 kg či více, proto je nutné, aby ji při manipulaci držely alespoň dvě osoby. Nedržte jednotku za balicí popruhy. Při vyjmutí jednotky z obalu a při manipulaci s jednotkou používejte ochranné rukavice, protože hrozí poranění rukou o lamely nebo hrany jiných částí.
- Zajistěte bezpečnou likvidaci obalových materiálů. Obalové materiály, jako jsou hřebíky a další kovové nebo dřevěné části, mohou způsobit probodnutí či jiná zranění.

- Základnu a upevňovací prvky venkovní jednotky je nutné pravidelně kontrolovat, zda nejsou povolené, popraskané či jinak poškozené. Pokud nebudou tyto defekty opraveny, jednotka může spadnout a způsobit škodu na majetku nebo zranění.
- Jednotku tepelného čerpadla vzduch-voda nečistěte vodou. Hrozí zásah elektrickým proudem.
- Utáhněte všechny převlečné matice pomocí momentového klíče podle specifikací. Pokud jsou převlečné matice utaženy nadměrně, mohou po delší době prasknout a způsobit únik chladicího média.

## 1.3. Postup před elektroinstalací

### POZOR:

- Namontujte jističe. Pokud tak neučiníte, hrozí nebezpečí úrazu elektrickým proudem.
- Pro elektrická vedení použijte standardní kabely s odpovídajícími parametry. Pokud tak neučiníte, může dojít ke zkratu, přehřátí nebo požáru.
- Při instalaci elektrického vedení kabely nenapínejte. Pokud dojde k povolení spojení, kabely se mohou vyvléknout nebo prasknout a může dojít k přehřátí nebo požáru.

- Jednotku uzemněte. Uzemňovací drát nepřipojujte k plynovému a vodnímu potrubí, hromosvodu ani k telefonnímu uzemňovacímu vedení. Nesprávné uzemnění může být příčinou úrazu elektrickým proudem.
- Použijte jističe (proudový chránič, odpojovač s pojistkou typu B a kompaktní jistič) se stanovenou kapacitou. Při použití jističe s větší než stanovenou kapacitou může dojít k poruše nebo požáru.

# 1. Bezpečnostní opatření

## 1.4. Postup před zkušebním provozem

### ⚠ POZOR:

- Hlavní vypínač zapněte minimálně 12 hodin před zahájením provozu. Zahájení provozu ihned po zapnutí hlavního vypínače by mohlo vést k závažnému poškození vnitřních součástí. Během provozního období ponechte hlavní vypínač zapnutý.
- Před zahájením provozu ověřte, zda jsou správně namontované veškeré panely a další ochranné součásti. Rotující a horké součásti nebo součásti pod vysokým napětím mohou způsobit zranění.

- Spínačů se nedotýkejte mokřými rukama. Hrozí zásah elektrickým proudem.
- Během provozu se nedotýkejte potrubí chladicího média holými rukama. Potrubí chladicího média může být v závislosti na stavu protékajícího chladicího média horké nebo studené. Při dotyku potrubí hrozí popálení nebo vznik omrzlin.
- Po zastavení provozu vyčkejte minimálně pět minut a až poté vypněte hlavní vypínač. V opačném případě hrozí únik vody nebo porucha.

## 1.5. Použití chladicího média R32 u tepelného čerpadla vzduch-voda

### ⚠ POZOR:

- K připojení bezešvých trubek potrubí chladicího média z mědi a slitin mědi použijte pájku C1220 měď – fosfor. Zajistěte, aby byl vnitřek potrubí čistý a neobsahoval žádné škodlivé nečistoty, jako jsou sloučeniny síry, oxidanty, usazeniny nebo prach. Používejte potrubí určené tloušťky. (Viz 4.1.) Pokud se chystáte znovu použít potrubí, které bylo použito pro chladicí médium R22, dbejte na následující upozornění.
  - Vyměňte stávající převlečné matice a znovu upravte rozšířené části.
  - Nepoužívejte tenká potrubí. (Viz 4.1.)
- Potrubí určené k použití při montáži uložte uvnitř a oba konce potrubí ponechte utěsněné až do doby bezprostředně před spájením. (Ponechte kloubové spoje apod. zabalené.) Pokud se do potrubí chladicího média dostane prach, nečistoty nebo vlhkost, může dojít ke zhoršení vlastností oleje nebo k poruše kompresoru.
- Jako chladicí olej nanášený na rozšířené části používejte olej na bázi esteru, éteru nebo alkylbenzenu (malé množství). Pokud je do chladicího oleje přimíchán minerální olej, může dojít ke zhoršení vlastností oleje.

- Servis je povoleno provádět pouze podle doporučení výrobce.
- Nepoužívejte jiné chladicí médium než R32. Při použití jiného chladicího média bude docházet ke zhoršení vlastností oleje působením chlóru.
- Používejte následující nástroje, které jsou speciálně určeny pro použití s chladicími médii R32. Při použití chladicího média R32 jsou nutné následující nástroje. V případě otázek se obraťte na nejbližšího prodejce.

Nástroje (pro R32)	
Měřicí potrubí	Rozšiřovač trubek
Doplňovací trubka	Měřidlo pro úpravu velikosti
Detektor úniku plynu	Adaptér vakuového čerpadla
Momentový klíč	Elektronické měřidlo naplnění chladicím médiem

- Používejte pouze správné nástroje. Pokud se do potrubí chladicího média dostane prach, nečistoty nebo vlhkost, může docházet ke zhoršení vlastností chladicího oleje.

## 2. Výběr místa montáže

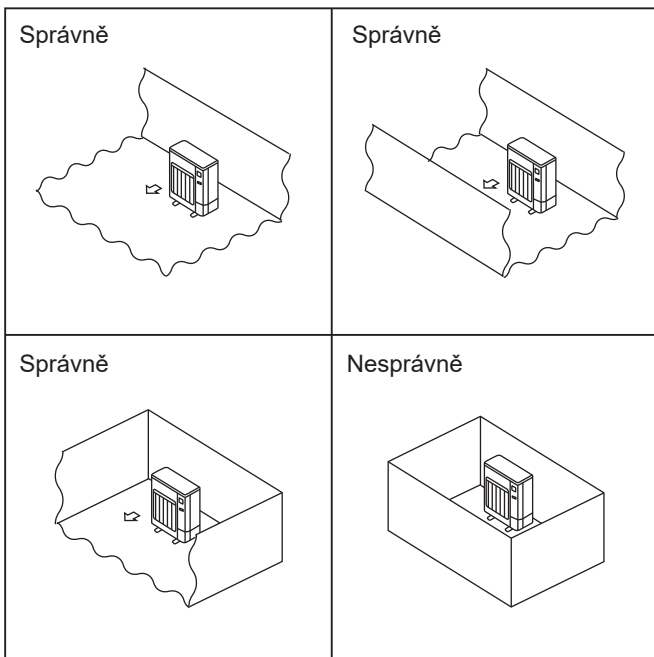


Fig. 2-1

### 2.1. Venkovní jednotka

- R32 je těžší než vzduch, podobně jako jiná chladicí média, takže se hromadí u základny (u podlahy). Jestliže se u základny hromadí R32, může v případě malého vnitřního prostoru dosáhnout hořlavé koncentrace. Chcete-li se vyhnout vzplanutí, udržujte bezpečné pracovní prostředí pomocí vhodné ventilace. Jestliže je v prostoru s nedostatečnou ventilací zjištěn únik chladicího média, nepoužívejte žádné otevřené ohně, dokud není pracovní prostředí napraveno vhodnou ventilací.
  - V místech, kde není vystavena silnému větru.
  - V bezpečných místech s vhodným prouděním vzduchu.
  - V místech, kde nezpůsobuje zkrácený cyklus provozu.
  - V místech, kde provozní hluk a horký vzduch neobtěžuje sousedy.
  - V místech, kde je k dispozici pevná stěna nebo opora, aby nedocházelo k navyšování provozního hluku a vibrací.
  - V místech, kde nehrozí riziko úniku hořlavých plynů.
  - Pokud jednotku instalujete ve výšce, nezapomeňte upevnit nohy jednotky.
  - Ve vzdálenosti minimálně 3 m od televizní či rádiové antény. (V opačném případě může dojít k rušení obrazu nebo vzniku šumu.)
  - Jednotku montujte v místech chráněných před sněžením a zavátím sněhem. V oblastech s výskytem silného sněžení nainstalujte kryt, podstavec nebo tlumicí desky.
  - Jednotku namontujte vodorovně.
  - Potrubí chladicího média musí být přístupné pro účely provádění údržby.
- © Venkovní jednotky instalujte na místa, kde je alespoň jedna z jejich čtyř stran otevřená a prostor je dostatečně velký a bez prohlubní. (Fig. 2-1)

### ⚠ POZOR:

Při instalaci tepelného čerpadla vzduch-voda se vyhněte následujícím místům, kde hrozí potíže.

- Místa s nadměrným výskytem strojního oleje.
- Slaná prostředí, například pobřeží.
- Oblasti s horkými prameny.
- Místa s výskytem sulfidu.
- Další místa se zvláštními atmosférickými podmínkami.

Při vytápění produkuje venkovní jednotka kondenzát. Místo montáže vyberte tak, aby nedocházelo k namáčení venkovní jednotky anebo podlahy vypouštěnou vodou nebo k jejich poškození zmrzlou vypouštěnou vodou.



## 2. Výběr místa montáže

### 2.2. Minimální povrch instalace

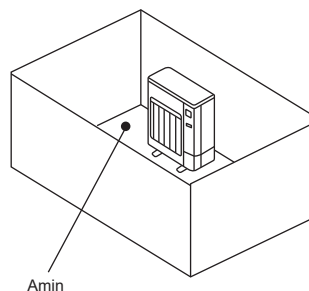
Jestliže nelze jinak než nainstalovat jednotku do prostoru, kde jsou všechny čtyři strany blokovány nebo jsou zde prohlubně, ujistěte se, že je splněna alespoň jedna z těchto podmínek (A, B nebo C).

**Poznámka: Tato opatření slouží k udržení bezpečnosti, nikoliv ke garanci specifikací.**

A) Zajistěte dostatečný instalační prostor (minimální povrch instalace Amin).

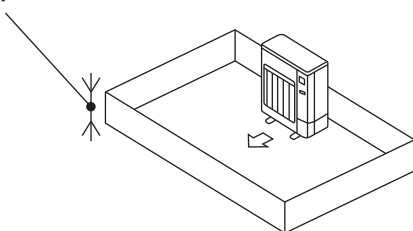
Nainstalujte do prostoru s povrchem instalace s hodnotou Amin nebo větší, podle množství chladicího média M (chladicí médium z továrny + chladicí médium přidané na místě).

M [kg]	Amin [m <sup>2</sup> ]
1,0	12
1,5	17
2,0	23
2,5	28
3,0	34
3,5	39
4,0	45
4,5	50
5,0	56
5,5	62
6,0	67
6,5	73
7,0	78
7,5	84

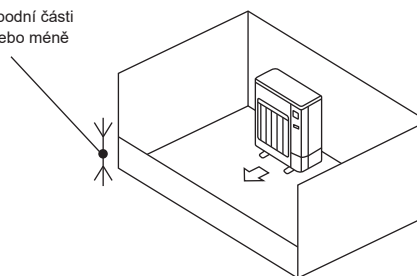


B) Nainstalujte do prostoru s výškou prohlubně  $\leq 0,125$  [m].

Výška od spodní části  
0,125 [m] nebo méně



Výška od spodní části  
0,125 [m] nebo méně

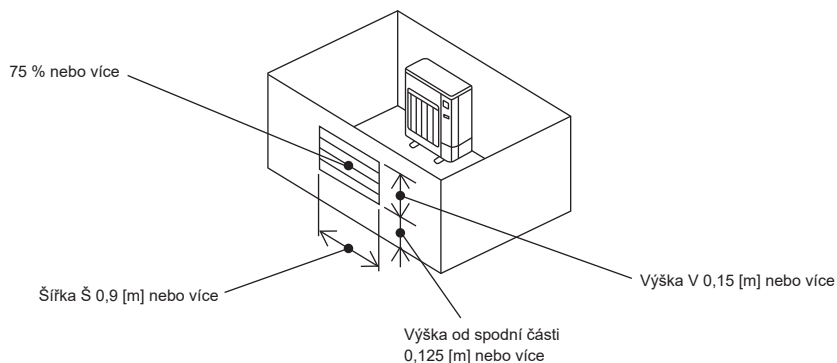


C) Vytvořte otevřenou plochu pro vhodnou ventilaci.

Ujistěte se, že šířka otevřené plochy je 0,9 [m] nebo více a výška otevřené plochy je 0,15 [m] nebo více.

Výška od spodní části instalačního prostoru ke spodní části otevřené plochy však musí být 0,125 [m] nebo menší.

Otevřená plocha se musí otevírat z 75 % nebo více.



**Poznámka: U vnitřní jednotky neexistují žádná montážní omezení způsobená chladicím médiem R32.**

Podle montážní příručky vnitřní jednotky zkontrolujte požadovanou montážní plochu.

## 3. Schéma montáže

### 3.1. Venkovní jednotka (Fig. 3-1)

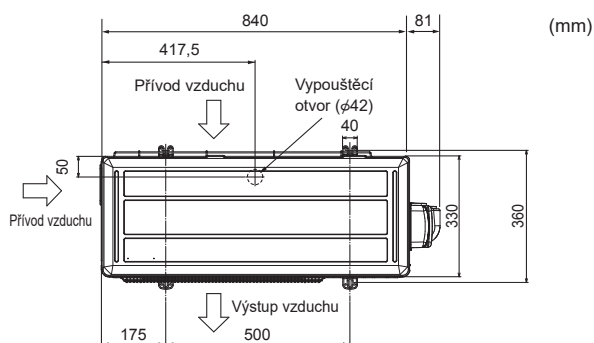
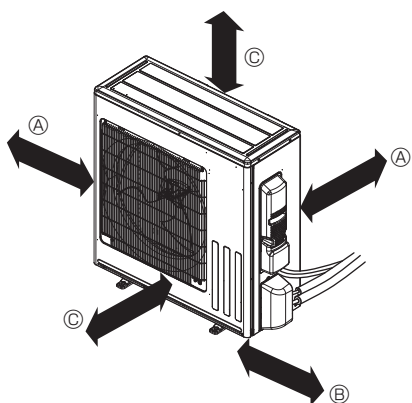
#### Odvětrávací a servisní prostor

- Ⓐ 100 mm nebo více
- Ⓑ 350 mm nebo více
- Ⓒ 500 mm nebo více

Chcete-li potrubí umístit na stěnu, na které se nachází kovy (pocínování) nebo která je pokrytá kovovým pletivem, vložte mezi potrubí a stěnu chemicky ošetřenou dřevěnou desku o tloušťce 20 mm nebo silnější nebo potrubí omotejte 7 až 8 vrstvami izolační vinylové pásky.

Jednotky musí montovat licencovaný dodavatel v souladu s místními zákony.

- SUZ-SWM80VA2, SUZ-SWM80VAH2, SUZ-SWM100VA, SUZ-SWM100VAH, SUZ-SHWM60VAH



#### Poznámka:

Při provozu tepelného čerpadla vzduch-voda za nízkých venkovních teplot je nutno zajistit, aby byly dodrženy níže uvedené pokyny.

- Nikdy nemontujte venkovní jednotku v místě, kde může být strana sání/vypouštění vzduchu vystavena působení větru.
- Abyste vystavení působení větru zabránili, namontujte venkovní jednotku tak, aby strana sání vzduchu směřovala ke stěně.
- Kvůli zabránění působení větru doporučujeme na stranu výstupu vzduchu venkovní jednotky instalovat tlumicí desky.

- SUZ-SWM30VA, SUZ-SWM40VA2, SUZ-SWM60VA2, SUZ-SHWM30VAH, SUZ-SHWM40VAH

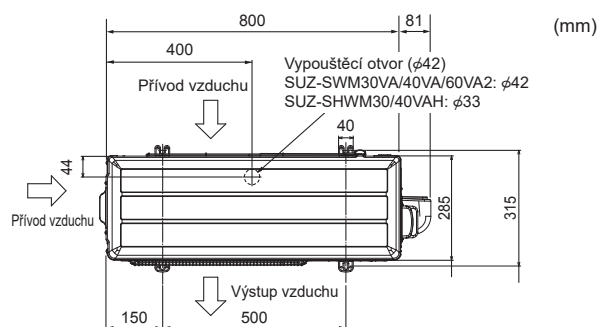
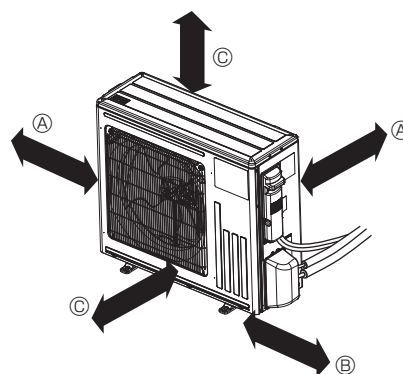


Fig. 3-1

## 4. Vypouštěcí potrubí venkovní jednotky (Fig. 4-1)

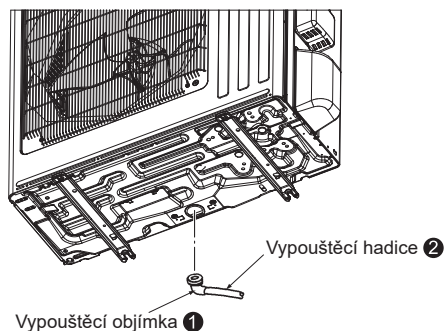


Fig. 4-1

### 4.1. Příslušenství

Před montáží zkontrolujte následující součásti.

<Venkovní jednotka>

①	Vypouštěcí objímka	1
---	--------------------	---

- Před připojením potrubí vnitřní a venkovní jednotky připravte vypouštěcí potrubí. (Pokud potrubí vnitřní a venkovní jednotky připojíte dříve než vypouštěcí potrubí, bude složité nasadit vypouštěcí objímku ①, protože s venkovní jednotkou již nebude možné hýbat.)
- Připojte vypouštěcí hadici ② (k dostání v prodejně, vnitřní průměr: 15 mm) podle nákresu vypouštění.
- Zajistěte spád vypouštěcího potrubí, aby bylo vypouštění plynulé.

#### Poznámka:

Vypouštěcí objímku ① nepoužívejte v chladných oblastech. Mohlo by dojít k zamrznutí odtoku a zablokování ventilátoru. Vypouštěcí hrdlo není součástí řady SHWM.

## 5. Potrubí chladicího média

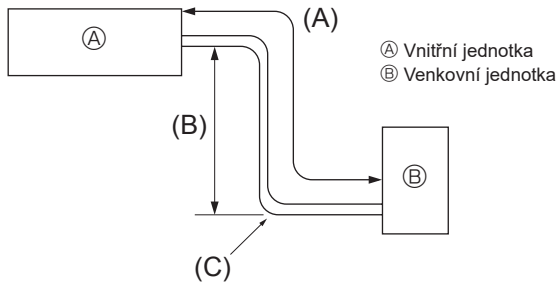


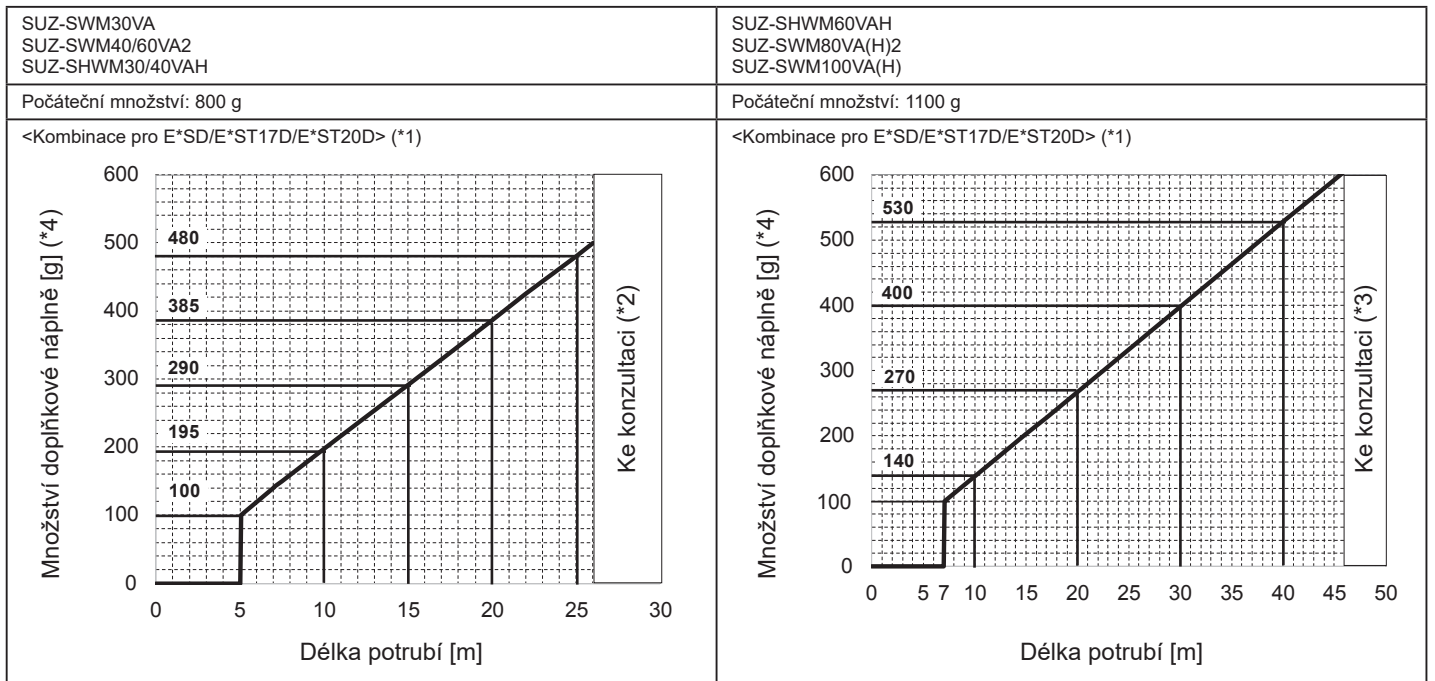
Fig. 5-1

### 5.1. Potrubí chladicího média (Fig. 5-1)

► Zkontrolujte, zda rozdíl výšek vnitřní a venkovní jednotky, délka potrubí chladicího média a počet ohybů potrubí odpovídají níže uvedeným limitům.

Modely	(A) Délka potrubí (jednosměrné)	(B) Výškový rozdíl	(C) Počet ohybů (jednosměrné)
SUZ-SWM30VA	2 m - 26 m	Max. 26 m	Max. 10
SUZ-SHWM30VAH			
SUZ-SWM40VA2			
SUZ-SHWM40VAH			
SUZ-SWM60VA2			
SUZ-SHWM60VAH	2 m - 46 m	Max. 30 m	
SUZ-SWM80VA(H)2			
SUZ-SWM100VA(H)			

• Omezení výškových rozdílů jsou závazná bez ohledu na to, zda je výše umístěna vnitřní nebo venkovní jednotka.



\*1. V případě připojení k E\*ST30D VŽDY přidejte k doplňkovému množství podle grafů 50 g.

\*2. U délky potrubí delší než 26 m se nezapomeňte poradit s naším specialistou.

\*3. U délky potrubí delší než 46 m se nezapomeňte poradit s naším specialistou.

\*4. V případě úplné výměny náplně: počáteční množství + množství doplňkové náplně

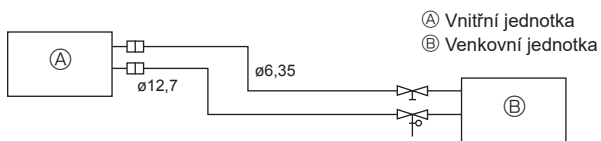


Fig. 5-2

(1) V níže uvedené tabulce jsou uvedeny specifikace běžně dostupného potrubí. (Fig. 5-2)

Model	Potrubí	Vnější průměr		Min. tloušťka stěny	Tloušťka izolace	Materiál izolace
		mm	palce			
Všechny modely	Pro kapalinu	6,35	1/4	0,8 mm	8 mm	Termoizolační pěnový polyetylen, měrná hmotnost 0,045
	Pro plyn	12,7	1/2	0,8 mm	8 mm	

(2) Zajistěte řádnou izolaci 2 potrubí chladicího média, aby nedocházelo ke kondenzaci.

(3) Poloměr ohybu potrubí chladicího média musí být 100 mm nebo více.

### ⚠ POZOR:

Používejte řádnou izolaci uvedené tloušťky. Nadměrná tloušťka brání ukládání za vnitřní jednotkou a nedostatečná tloušťka způsobuje rosení a odkapávání zkondenzované vody.

- Aby nedošlo ke vzplanutí, zajistěte vhodnou ventilaci. Nezapomeňte také provést protipožární opatření, aby v okolí nebyly žádné nebezpečné nebo hořlavé předměty.
- Doplnění chladicího média R32 při údržbě: Aby nevzniklo riziko výbuchu způsobeného elektrickými jiskrami, musí být zařízení před doplněním chladicího média R32 100% odpojeno od napájení z elektrické sítě.
- Izolační materiály by měly splňovat následující SPECIFIKACE.

(1) Rychlost přenosu tepla: 0,040 W/mK nebo méně

(2) Tloušťka izolace: 9 mm nebo více

(3) Tepelná odolnost: 110 °C nebo více

Pokud je délka potrubí ve venkovním prostředí větší než 15 m, měla by mít izolace tloušťku 18 mm nebo více.

## 5. Potrubí chladicího média

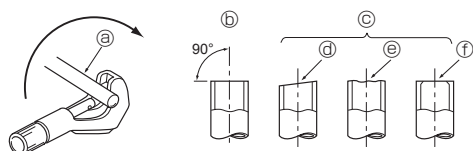


Fig. 5-3

- Ⓐ Měděné trubky
- Ⓑ Správně
- Ⓒ Špatně
- Ⓓ Šikmé
- Ⓔ Nerovné
- Ⓕ Roztřepené

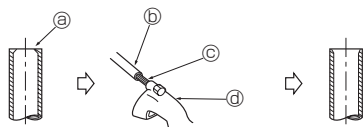


Fig. 5-4

- Ⓐ Ořezky
- Ⓑ Měděná trubka / potrubí
- Ⓒ Náhradní výstružník
- Ⓓ Řezák trubek

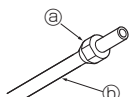


Fig. 5-5

- Ⓐ Přelevčaná matice
- Ⓑ Měděná trubka

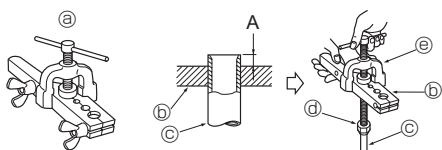


Fig. 5-6

- Ⓐ Rozválcovačka trubek
- Ⓑ Upínací čelist
- Ⓒ Měděná trubka
- Ⓓ Přelevčaná matice
- Ⓔ Jho

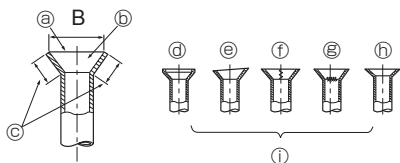


Fig. 5-7

### 5.2. Rozválcování

- Hlavní příčinou úniku plynu je poškození rozválcování.
- Proveďte řádné rozválcování podle následujícího postupu.

#### 5.2.1. Řezání trubek (Fig. 5-3)

- Měděné trubky řezejte pomocí řezáku trubek.

#### 5.2.2. Odstranění ořepů (Fig. 5-4)

- Odstraňte veškeré ořepky v okolí řezu potrubí/trubky.
- Při odstraňování ořepů skloňte konec měděné trubky/potrubí směrem dolů, aby ořepky nenapadaly do trubky.

#### 5.2.3. Nasazení matice (Fig. 5-5)

- Po odstranění ořepů sejměte z vnitřní a venkovní jednotky přelevčnou matice a nasadte je na potrubí/trubku.
- (Po rozválcování již není možné je nasadit.)

#### 5.2.4. Rozválcování (Fig. 5-6)

- Proveďte rozválcování pomocí rozválcovačky podle nákresu vlevo.

Průměr trubky (mm)	Rozměr	
	A (mm)	B <sup>+0</sup> <sub>-0,4</sub> (mm)
	Při použití nástroje pro médium R32	
	Typ spojky	
6,35	0 – 0,5	9,1
9,52	0 – 0,5	13,2
12,7	0 – 0,5	16,6
15,88	0 – 0,5	19,7

Měděnou trubku držte pevně v upínací čelisti o rozměrech uvedených v tabulce výše.

#### 5.2.5. Kontrola (Fig. 5-7)

- Porovnejte rozválcování s obrázkem vlevo.
- Pokud zjistíte, že rozválcování není v pořádku, rozválcovanou část odřízněte a proveďte rozválcování znovu.

- Ⓐ Hladké a zaoblené
- Ⓑ Uvnitř lesklé bez škrábanců
- Ⓒ Rovnoměrná délka po celém obvodu
- Ⓓ Příliš
- Ⓔ Šikmé
- Ⓕ Škrábance na rozválcované ploše
- Ⓖ Popraskané
- Ⓗ Nerovnoměrné
- Ⓘ Příklady nevhodného rozválcování

- Na povrch dosedací plochy potrubí naneste tenkou vrstvu chladicího oleje. (Fig. 5-8)
- Při připojování nejprve vyrovnejte střed a poté utáhněte přelevčnou matici o první 3 až 4 otáčky.
- Při utahování bočního spojovacího šroubení vnitřní jednotky použijte níže uvedenou tabulku utahovacích momentů a utahujte pomocí dvou klíčů. Nadměrným dotažením poškodíte rozválcovanou část.

Vnější průměr měděné trubky (mm)	Vnější průměr přelevčné matice (mm)	Utahovací moment (Nm)
ø6,35	17	14 – 18
ø9,52	22	34 – 42
ø12,7	26	49 – 61
ø15,88	29	68 – 82

### ! VÝSTRAHA:

Při montáži jednotky řádně připojte potrubí chladicího média před spuštěním kompresoru.

### ! VÝSTRAHA:

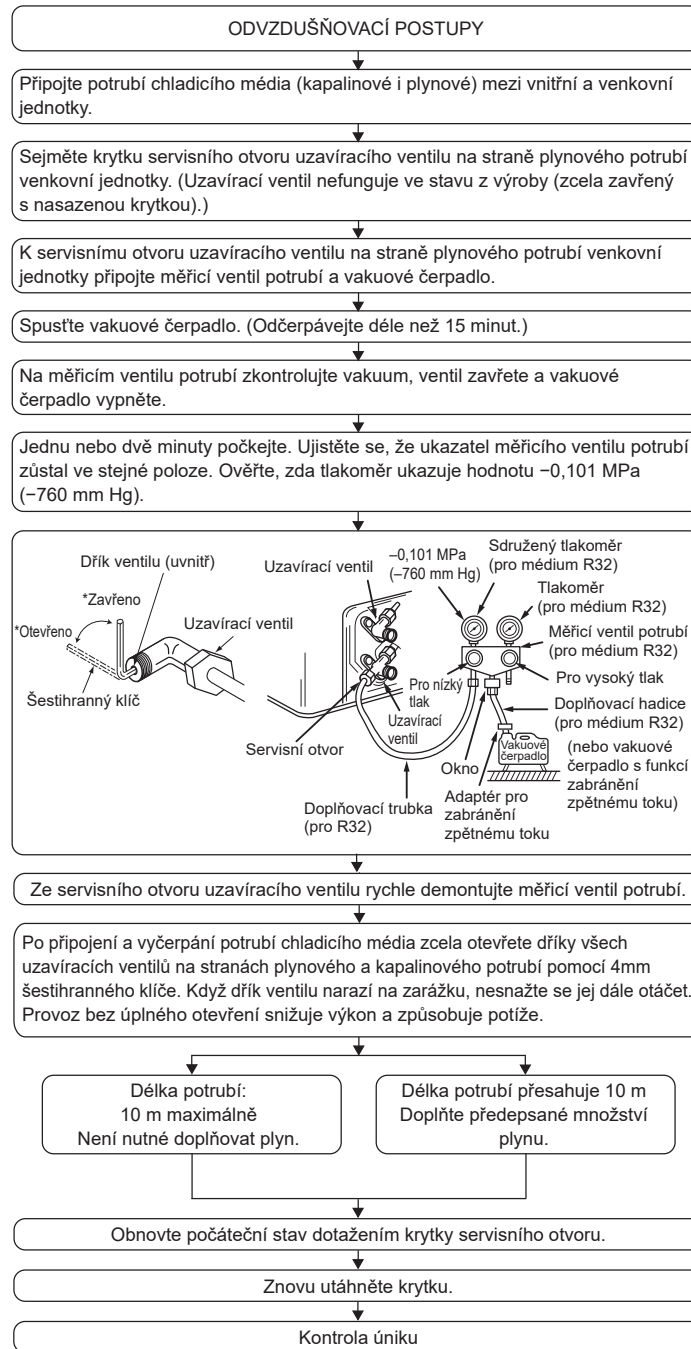
Dejte pozor na odletující přelevčnou matici! (Vnitřně natlakována)

Při odšroubování přelevčné matice postupujte následovně:

1. Povolujte matici, dokud neuslyšíte syčení.
2. Matici zcela neodšroubovávejte, dokud se nevypustí veškerý plyn (tzn. ustane syčení).
3. Zkontrolujte, zda byl vypuštěn veškerý plyn a zcela odšroubojte matici.

## 5. Potrubí chladicího média

### 5.3. Odvzdušňovací postupy a zkouška těsnosti



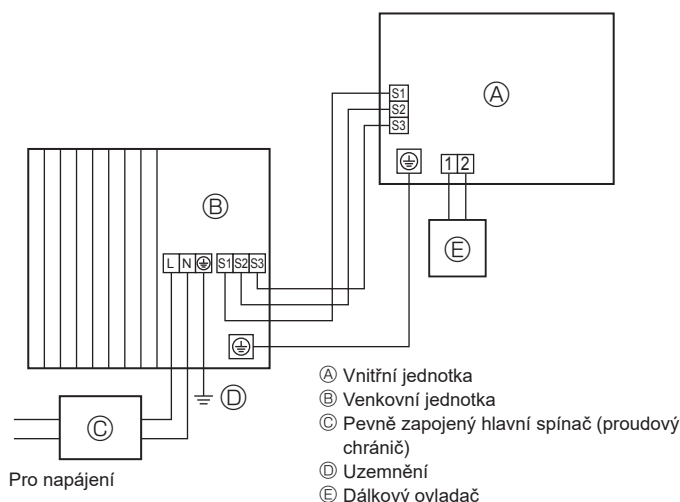
## 6. Elektroinstalace

### 6.1. Venkovní jednotka (Fig. 6-1, Fig. 6-2, Fig. 6-3)

① Sejměte servisní panel.

② Zapojte kabely podle ilustrací Fig. 6-1, Fig. 6-2 a Fig. 6-3.

■ SUZ-SHWM60VAH, SUZ-SWM80VA(H)2, SUZ-SWM100VA(H)



■ SUZ-SHWM30/40VAH, SUZ-SWM30VA, SUZ-SWM40/60VA2

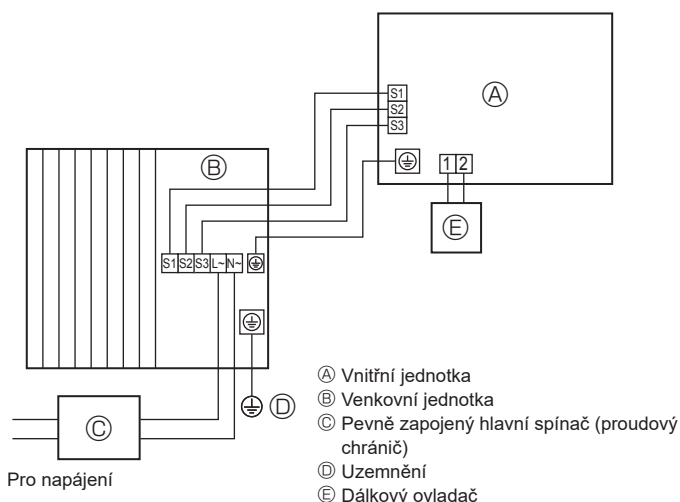


Fig. 6-1

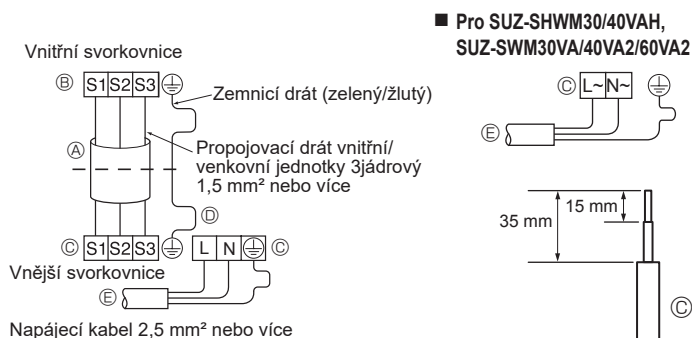
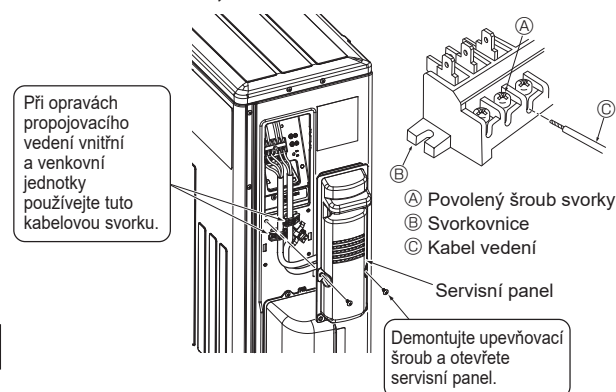


Fig. 6-2

■ SUZ-SWM30VA, SUZ-SWM40VA2, SUZ-SWM60VA2, SUZ-SHWM30VAH, SUZ-SHWM40VAH



■ SUZ-SWM80VA2, SUZ-SWM100VA, SUZ-SWM80VAH2, SUZ-SWM100VAH, SUZ-SHWM60VAH

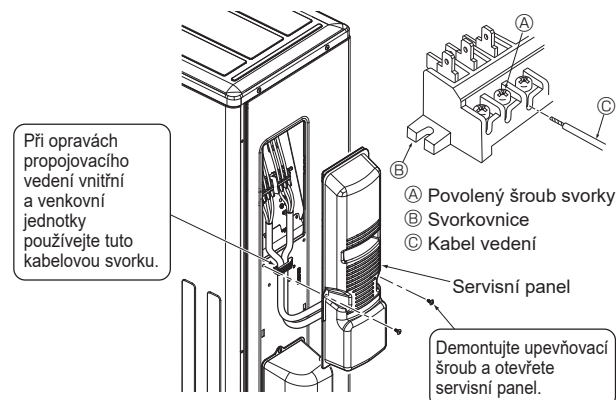


Fig. 6-3

• Proveďte instalaci elektrického vedení podle schématu vlevo dole. (Kabel si opatřete místně) (Fig. 6-2)

Používejte pouze kabely správné polaritu.

- A Propojovací kabel
- B Vnitřní svorkovnice
- C Vnější svorkovnice
- D Vždy instalujte uzemňovací drát delší než ostatní kabely.
- E Síťový kabel
- F Kabel vedení

- Uzemňovací drát upravte tak, aby byl trochu delší než ostatní dráty. (Více než 100 mm)
- Zajistěte, aby byly propojovací dráty dostatečně dlouhé pro případ dalších servisních zásahů.
- Při připevňování kabelu nebo drátů ke svorkovnici zkontrolujte, jestli jsou všechny šrouby nasazeny na odpovídající svorky.

- Kabel z vnitřní jednotky zapojte správně do svorkovnice.
- Použijte stejnou svorkovnici a polaritu jako v případě vnitřní jednotky.
- Z důvodu následné údržby použijte mimořádně dlouhý propojovací kabel.

- Oba konce propojovacího kabelu (prodlužovacího vedení) jsou svlečeny. Je-li napájecí kabel příliš dlouhý nebo zapojený vyříznutím střední částí, svlékněte napájecí kabel na délku uvedenou na obrázku.
- Dejte pozor, aby nedošlo ke kontaktu propojovacího kabelu a potrubí.

### ! POZOR:

- Dejte pozor, abyste elektrické vedení nenainstalovali nesprávně.
- Pevně dotáhněte šrouby svorek, aby nedošlo k jejich povolání.
- Po dotažení zkontrolujte pevnost drátů lehkým zatáhnutím.

### ! VÝSTRAHA:

- Servisní panel venkovní jednotky nasadte pevně. Nesprávné nasazení může způsobit požár nebo úraz elektrickým proudem způsobený prachem, vodou atd.
- Pevně dotáhněte šrouby svorek.
- Elektrické vedení musí být nainstalováno tak, aby nebylo vystaveno prnutí. V opačném případě může dojít k zahřívání nebo požáru.

## 6. Elektroinstalace

### 6.2. Provozní elektrické kabely

Model venkovní jednotky	SUZ-SHWM30VAH/40VAH SUZ-SWM30VA/40VA2/60VA2	SUZ-SHWM60VAH SUZ-SWM80VA(H)2/SWM100VA(H)	
Napájení venkovní jednotky	~/N (jednofázové), 50 Hz, 230 V	~/N (jednofázové), 50 Hz, 230 V	
Hlavní spínač (jistič) vstupní kapacity venkovní jednotky *1	16 A	20 A	
Drát vedení č. × rozměr (mm <sup>2</sup> )	Napájení venkovní jednotky	2 × Min. 2,5	2 × Min. 2,5
	Uzemnění napájení venkovní jednotky	1 × Min. 2,5	1 × Min. 2,5
	Vnitřní jednotka – venkovní jednotka	3 × 1,5 (polární)	3 × 1,5 (polární)
	Uzemnění vnitřní jednotky – venkovní jednotky	1 × Min. 1,5	1 × Min. 1,5
Zatížení obvodu	Venkovní jednotka L-N *2	230 V stř.	230 V stř.
	Vnitřní jednotka – venkovní jednotka S1–S2 *2	230 V stř.	230 V stř.
	Vnitřní jednotka – venkovní jednotka S2–S3 *2	12 V stejn. – 24 V stejn.	12 V stejn. – 24 V stejn.

\*1. Musí být dodán jistič s minimálním rozchodem kontaktů na obou pólech 3 mm. Použijte proudový chránič (NV).

Ujistěte se, že proudový chránič je kompatibilní s vyššími harmonickými kmity.

Vždy používejte proudový chránič kompatibilní s vyššími harmonickými kmity, protože jednotka je vybavena invertorem.

Použití nevhodného jističe může způsobit nesprávnou činnost invertoru.

\*2. Obrázky NEJSOU vždy správně orientovány vzhledem k terénu.

Mezi svorkami S3 a S2 je stejnosměrné napětí 24 V. Ovšem mezi svorkami S3 a S1 NEJSOU svorky elektricky izolovány transformátorem ani jiným zařízením.

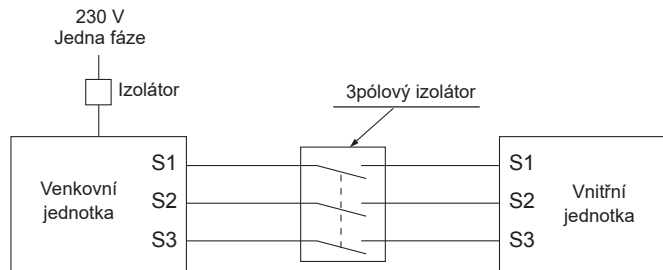
**Poznámky:** 1. Rozměr elektrického vedení musí odpovídat místním a národním předpisům.

2. Síťové a propojovací kabely vnitřní a venkovní jednotky nesmí být lehčí než ohebný drát potažený polychloroprenem. (Vzorek 60245 IEC 57)

3. Nainstalujte uzemňovací drát delší než ostatní kabely.

4. K přívodu napájení použijte samozhášecí rozváděcí kabely.

5. Dráty vedte správným způsobem tak, aby se nedotýkaly okraje plechu nebo špičky šroubu.



### ⚠ VÝSTRAHA:

Na svorce S3 je vysoké napětí způsobené provedením elektrického obvodu bez elektrické izolace mezi elektrickým vedením a vedením komunikačního signálu. Proto při provádění servisních prací vypněte napájení. A při zapnutém napájení se nedotýkejte svorek S1, S2 a S3. Je-li třeba mezi vnitřní a venkovní jednotkou použít izolátor, použijte 3pólový typ.

Nikdy nespojujte napájecí kabel nebo propojovací kabel vnitřní a venkovní jednotky, protože můžete způsobit dým, požár nebo poruchu komunikace.

Kabely spojující vnitřní a venkovní jednotku musí být zapojeny přímo k jednotkám (nejsou povoleny žádné mezilehlé spoje).

Použití mezilehlých spojů může vést k chybám komunikace, pokud do mezilehlého spoje pronikne voda, která způsobí nedostatečnou izolaci vůči uzemnění nebo nedostatečné elektrické spojení v mezilehlém spoji.

## 7. Údržba

### 7.1. Doplnění plynu (Fig. 7-1)

1. K servisnímu otvoru uzavíracího ventilu (3směrný) připojte plynovou láhev.
2. Proveďte odvětrání potrubí (nebo hadice) vycházející z chladicí plynové láhve.
3. Spusťte chlazení tepelného čerpadla vzduch-voda a přitom doplňte uvedené množství chladicího média.

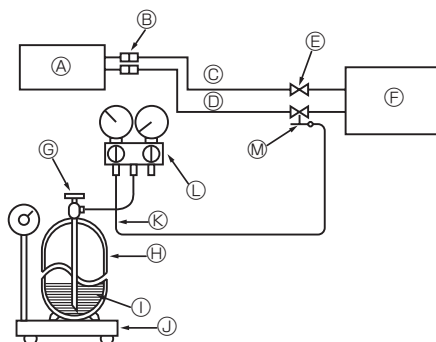
**Poznámka:**

V případě, že doplňujete chladicí médium, se řiďte množstvím určeným pro chladicí cyklus.

### ⚠ POZOR:

- Chladicí médium nevypouštějte do ovzduší. Během montáže, opětovné montáže a oprav chladicího obvodu dávejte pozor, abyste do ovzduší nevypouštěli chladicí médium.
- Při dalším doplňování použijte chladicí médium z kapalné fáze plynové láhve. Pokud chladicí médium doplňujete z plynové fáze, může uvnitř láhve a venkovní jednotky dojít ke změně složení chladicího média. V takovém případě se snižuje účinnost chladicího cyklu a není možný běžný provoz. Nicméně pokus o doplnění tekutého chladicího média najednou může způsobit zablokování kompresoru. Proto chladicí médium doplňujte pomalu.

Abyste zachovali vysoký tlak plynové láhve, zahřívejte ji v chladném počasí teplou vodou (méně než 40 °C). Nikdy ale nepoužívejte otevřený oheň ani páru.



- |  |   |
|--|---|
| Ⓐ Vnitřní jednotka                       | Ⓓ Chladicí plynová láhev pro médium R32 se sifonem  |
| Ⓑ Spojka                                 | Ⓚ Chladicí médium (kapalné)                         |
| Ⓒ Kapalinové potrubí                     | Ⓛ Elektronická váha pro doplňování chladicího média |
| Ⓓ Plynové potrubí                        | Ⓜ Doplňovací hadice (pro médium R32)                |
| Ⓔ Uzavírací ventil                       | Ⓝ Měřicí ventil potrubí (pro médium R32)            |
| Ⓕ Venkovní jednotka                      | Ⓞ Servisní otvor                                    |
| Ⓖ Ovládací ventil chladicí plynové láhve |   |

Fig. 7-1

## 8. Vodní potrubí

### 8.1. Minimální množství vody

Viz instalační příručka vnitřní jednotky.

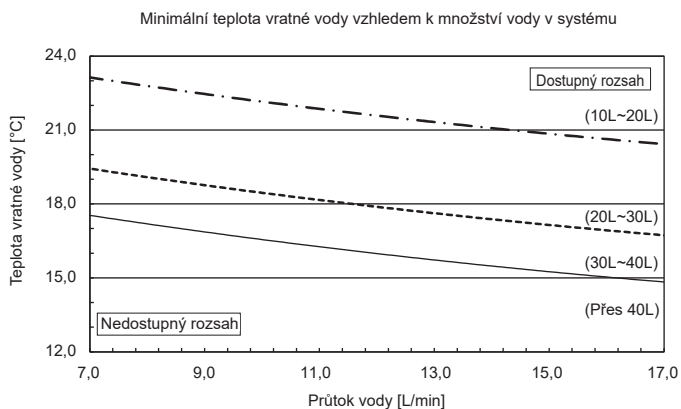
### 8.2. Dostupný rozsah (průtok vody, teplota vratné vody)

Ve vodním okruhu zajistíte následující průtok vody a teplotní rozsah vratné vody.

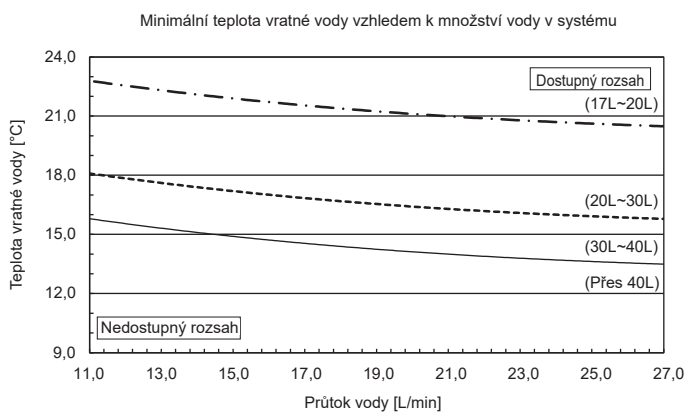
Tyto křivky se týkají množství vody.

#### ■ Topení

SUZ-SWM30VA SUZ-SHWM30VAH  
SUZ-SWM40VA2 SUZ-SHWM40VAH  
SUZ-SWM60VA2



SUZ-SWM80VA(H)2  
SUZ-SWM100VA(H)  
SUZ-SHWM60VAH



#### Poznámka:

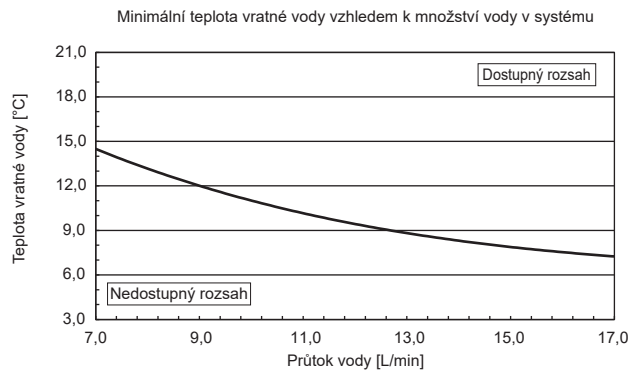
- Během rozmrazování je nutné se vyhnout nedostupnému rozsahu.  
Jinak bude venkovní jednotka nedostatečně rozmrazena a/nebo může zamrznout tepelný výměník vnitřní jednotky.
- Když venkovní teplota klesne pod  $-15^{\circ}\text{C}$ , NESMÍ teplota průtoku nikdy klesnout pod  $32^{\circ}\text{C}$ .  
Potenciální nebezpečí zamrznutí a poškození deskového výměníku tepla a namrznutí venkovního výměníku tepla kvůli nedostatečnému odmrazování.



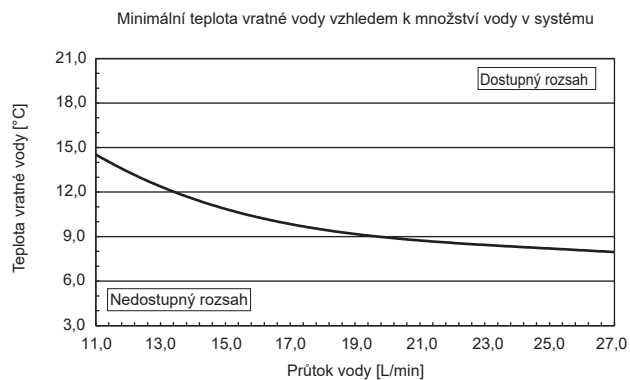
## 8. Vodní potrubí

### ■ Chlazení

SUZ-SWM30VA SUZ-SHWM30VAH  
SUZ-SWM40VA2 SUZ-SHWM40VAH  
SUZ-SWM60VA2



SUZ-SWM80VA(H)2  
SUZ-SWM100VA(H)  
SUZ-SHWM60VAH



#### Poznámka:

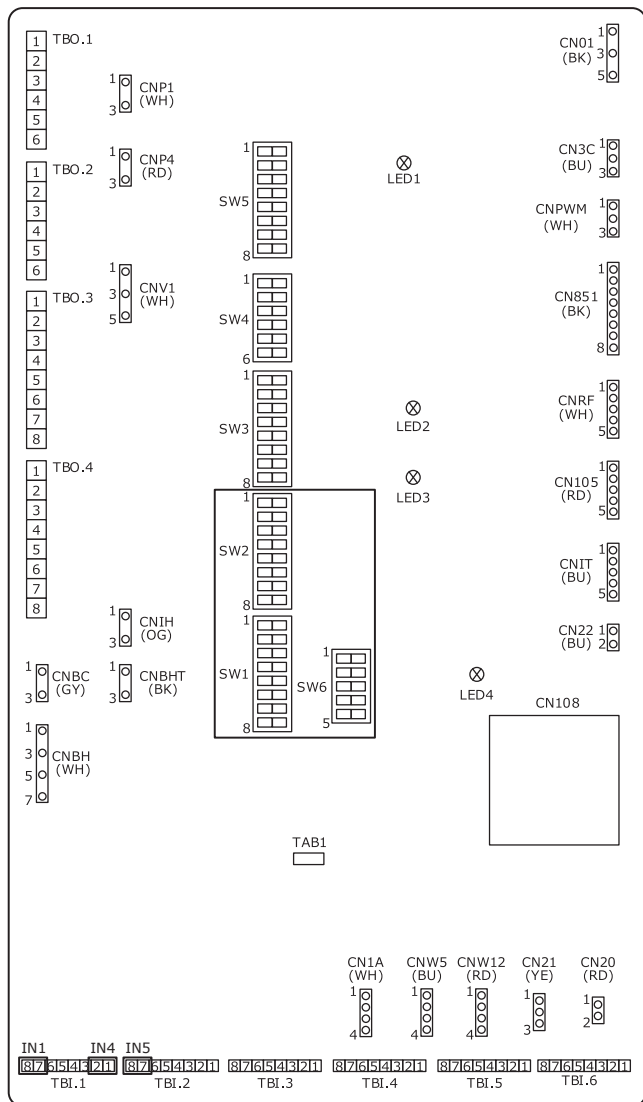
Během rozmrazování je nutné se vyhnout nedostupnému rozsahu.

Jinak bude venkovní jednotka nedostatečně rozmrazena a/nebo může zamrznout tepelný výměník vnitřní jednotky.

## 9. Vypuštění chladicího média

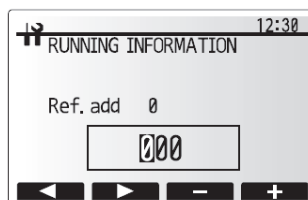
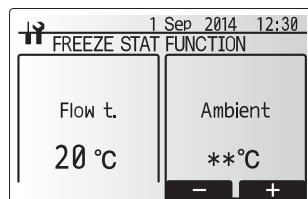
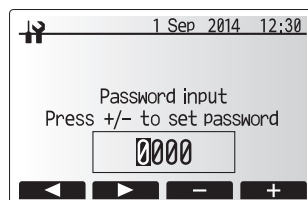
Pokud přemísťujete nebo odstraňujete vnější jednotku, vyčerpajte systém podle níže uvedeného postupu, aby nedošlo k uvolnění chladicího média do ovzduší.

- ① VYPNĚTE všechny napájecí obvody (včetně vnitřní jednotky, ohříváče, vnější jednotky atd.)
- ② K servisnímu otvoru uzavíracího ventilu na straně plynového potrubí vnější jednotky připojte měřicí ventil potrubí.
- ③ Zcela zavřete uzavírací ventil na straně kapalinového potrubí vnější jednotky.
- ④ Změňte nastavení na vnitřní jednotce.
  - DIP spínač SW1-3 na řídicím panelu vnitřní jednotky přepněte do polohy OFF (Vyp.), SW2-1 do polohy OFF (Vyp.), SW2-4 do polohy ON (Zap.) a SW6-3 do polohy OFF (Vyp.).
  - Odpojte vstupní signály IN1 (vstup pokojového termostatu 1), IN4 (řídící vstup odběru) a IN5 (vstup vnějšího termostatu).



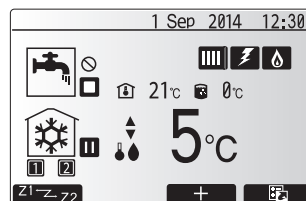
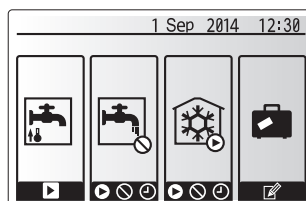
- ⑦ V hlavní nabídce vyberte možnost „Service“ (Servis) a změňte nastavení následovně. Budete vyzváni k zadání hesla. STANDARDNĚ NASTAVENÉ HESLO Z VÝROBY je „0000“.

- Vyberte možnost „Operation settings“ (Provozní nastavení) → „Freeze stat function“ (Ustálit funkci termostatu) a potom nastavte hodnotu minimální venkovní teploty okolí na možnost \* (hvězdička).
- Vyberte možnost „Running information“ (Provozní informace) a pak nastavte referenční adresu na 351.



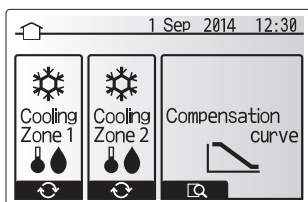
- ⑧ Provedte vyčerpání chladicího média.

- Na hlavním ovladači stiskněte tlačítko „ON/OFF“ (Zap./Vyp.).
- V nabídce možností nastavte „Cooling ON“ (Chlazení ZAP).
- Nastavte cílovou teplotu na výstupu na 5 °C. Pokud je systém řízen pokojovým termostatem, nastavte požadovanou pokojovou teplotu na 10 °C. Po 60 sekundách se spustí odčerpání chladicího média.
- Podrobnosti a další informace týkající se nastavení hlavního ovladače naleznete v návodu k montáži nebo v provozní příručce vnitřní jednotky.



- ⑤ ZAPNĚTE napájecí obvod.

- ⑥ V hlavní nabídce hlavního ovladače vnitřní jednotky vyberte možnost „Heating/cooling mode“ (Režim topení/chlazení) → „Cooling flow temp.“ (Průtoková teplota chlazení).



Pokračování na další stránce.

## 9. Vypuštění chladicího média

- ⑨ Zcela zavřete uzavírací ventil na straně plynového potrubí vnější jednotky, když se na tlakoměru zobrazí hodnota 0,05 až 0 MPa [tlakoměr] (přibl. 0,5 až 0 kgf/cm<sup>2</sup>) a rychle vypněte vnější jednotku.
- Vnější jednotku vypněte stisknutím tlačítka „ON/OFF“ (Zap./Vyp.) na dálkovém ovladači.
  - \* Upozorňujeme, že pokud je prodlužovací potrubí příliš dlouhé a obsahuje velké množství chladicího média, nemusí být možné odčerpání provést. V takovém případě použijte vybavení pro vytěžení chladicího média a odčerpajte ze systému veškeré chladicí médium.
- ⑩ Obnovte nastavení hlavního ovladače, které bylo změněno v postupu ⑨ výše.
- ⑪ Stiskněte tlačítko „ON/OFF“ (Zap./Vyp.) na hlavním ovladači vnitřní jednotky přibližně na 3 sekundy a jednotku vypněte.
- ⑫ Obnovte nastavení hlavního ovladače, které bylo změněno v jakémkoli jiném postupu než ⑨.
- \* Jak nastavit zpět „Running information“ (Provozní informace): Nastavte referenční adresu na 350.
- ⑬ VYPNĚTE celý napájecí obvod a obnovte nastavení DIP spínače na vnitřní obvodové desce.
- ⑭ Demontujte měřicí ventil potrubí a odpojte potrubí chladicího média.

### **VÝSTRAHA:**

Jestliže dochází k úniku na chladicím okruhu, **NEPROVÁDĚJTE** odčerpání pomocí kompresoru.

Při vypouštění chladicího média vypněte před odpojením potrubí chladicího média kompresor.

- Pokud dojde k odpojení potrubí chladicího média, když běží kompresor a uzavírací ventil (kulový ventil) je otevřený, může se tlak chladicího cyklu při natažení vzduchu extrémně zvýšit a způsobit prasknutí potrubí, poranění osob atd.

### **POZOR:**

**NEPOUŽÍVEJTE** tento režim **CHLAZENÍ** během připojení k vnitřní jednotce, která neumožňuje použití režimu **CHLAZENÍ** k jinému účelu než k odčerpání.

## 10. Specifikace

Vnější model		SUZ-SWM30VA	SUZ-SHWM30VAH	SUZ-SWM40VA2	SUZ-SHWM40VAH	SUZ-SWM60VA2
Napájení	V / Fáze / Hz	230 / Jednofázové / 50				
Rozměry (Š × V × H)	mm	800 × 714 × 285				
Hladina akustického výkonu (Topení)	*1 dB(A)	57	57	57	58	60
	*2 dB(A)	54	54	54	55	56

Vnější model		SUZ-SHWM60VAH	SUZ-SWM80VA(H)2	SUZ-SWM100VA(H)
Napájení	V / Fáze / Hz	230 / Jednofázové / 50		
Rozměry (Š × V × H)	mm	840 × 880 × 330		
Hladina akustického výkonu (Topení)	*1 dB(A)	60	60	62
	*2 dB(A)	58	59	60

\*1. Měřeno při jmenovité provozní frekvenci při okolní teplotě 7 °C (suchý teploměr) / 6 °C (mokrý teploměr) a výstupní teplotě vody 55 °C

\*2. Měřeno v souladu s normou EN12102 za podmínek normy EN14825

EU DECLARATION OF CONFORMITY  
EU-KONFORMITÄTSEKTLÄRUNG  
DÉCLARATION DE CONFORMITÉ UE  
EU-CONFORMITEITSVERKLARING  
DECLARACIÓN DE CONFORMIDAD UE  
DICHIARAZIONE DI CONFORMITÀ UE  
ΔΗΛΩΣΗ ΣΥΜΜΟΡΦΩΣΗΣ ΕΕ  
DECLARAÇÃO DE CONFORMIDADE UE  
EU-OVERENSSTEMMELSESEKTLÆRING

EG-DEKLARATION OM ÖVERENSSTÄMMELSE  
AV UYGUNLUK BEYAN  
ДЕКЛАРАЦИЯ СООТВЕТСТВИЯ НОРМАМ ЕС  
ДЕКЛАРАЦІЯ ВІДПОВІДНОСТІ ВИМОГАМ ЄС  
ЕС ДЕКЛАРАЦІЯ ЗА СЪОТВЕТСТВИЕ  
DEKLARACJA ZGODNOŚCI UE  
EU-ERKLÆRING OM SAMSVAR  
EU-VAATIMUSTENMUKAISUUSVAKUUTUS  
EU PROHLÁŠENÍ O SHODĚ

EÚ VYHLÁSENIE O ZHODE  
EU MEGFELELŐSÉGI NYILATKOZAT  
IZJAVA EU O SKLADNOSTI  
DECLARAȚIE DE CONFORMITATE UE  
EL-I VASTAVUSDEKLARATSIOON  
ES ATBILSTĪBAS DEKLARĀCIJA  
ES ATITIKTIES DEKLARĀCIJA  
EU IZJAVA O SUKLADNOSTI  
EU IZJAVA O USAGLAŠENOSTI

**MITSUBISHI ELECTRIC CONSUMER PRODUCTS (THAILAND) CO., LTD**  
**700/406 MOO 7, TAMBON DON HUA ROH, AMPHUR MUANG, CHONBURI 20000, THAILAND**

hereby declares under its sole responsibility that the air conditioner(s) and heat pump(s) for use in residential, commercial, and light-industrial environments described below:  
erklärt hiermit auf seine alleinige Verantwortung, dass die Klimaanlage(n) und Wärmepumpe(n) für das häusliche, kommerzielle und leichtindustrielle Umfeld wie unten beschrieben:  
déclare par la présente et sous sa propre responsabilité que le(s) climatiseur(s) et la/les pompe(s) à chaleur destinés à un usage dans des environnements résidentiels, commerciaux et d'industrie légère décrits ci-dessous :  
verklaart hierbij onder eigen verantwoordelijkheid dat de voor huishoudelijke, handels- en lichtindustriële omgevingen bestemde airconditioner(s) en warmtepomp(en) zoals onderstaand beschreven:

por la presente declara, bajo su exclusiva responsabilidad, que el(los) acondicionador(es) de aire y la(s) bomba(s) de calor previsto(s) para su uso en entornos residenciales, comerciales y de industria ligera que se describen a continuación:

conferma con la presente, sotto la sua esclusiva responsabilità, che i condizionatori d'aria e le pompe di calore destinati all'utilizzo in ambienti residenziali, commerciali e semi-industriali e descritti di seguito:

με το παρόν δηλώνει με αποκλειστική ευθύνη ότι το ή τα κλιματιστικά και η ή οι αντλίες θερμότητας για χρήση σε οικιακά, εμπορικά και επαγγελματικά περιβάλλοντα που περιγράφονται παρακάτω:

declara pela presente, e sob sua exclusiva responsabilidade, que o(s) aparelho(s) de ar condicionado e a(s) bomba(s) de calor destinados a utilização em ambientes residenciais, comerciais e de indústria ligeira descritos em seguida:

erklærer hermed under eneansvar, at det/de herunder beskrevne airconditionanlæg og varmepumpe(r) til brug i beboelses- og erhvervs miljøer samt i miljøer med let industri:

intyggar härmed att luftkonditioneringarna och värmepumparna som beskrivs nedan för användning i bostäder, kommersiella miljöer och lätta industriella miljöer:

ev, ticaret ve hafif sanayi ortamlarında kullanıma yönelik aşağıda açıklanan klima ve ısıtma pompalarıyla ilgili aşağıdaki hususları yalnızca kendi sorumluluğunda olmak üzere beyan eder:

настоящим заявляет под свою исключительную ответственность, что кондиционер (-ы) и тепловой (-ые) насос (-ы) для использования в описанных ниже жилых, коммерческих и небольших складских и промышленных помещениях:

цим заявляю, беручи на себе повну відповідальність за це, що кондиціонер (-и) й тепловий (-и) насос (-и), описані нижче й призначені для використання в житлових приміщеннях, торговельних залах і на підприємствах легкої промисловості:

декларира с настоящата на своя собствена отговорност, че климатикъ(т)е и термомпата(ите), посочени по-долу и предназначени за употреба в жилища, търговски и лекопромишлени среди:

niniejszym oświadczam na swoją wyłączną odpowiedzialność, że klimatyzatory i pompy ciepła do zastosowań w środowisku mieszkalnym, handlowym i lekko przemysłowym opisane poniżej:

erklærer et fullstendig ansvar for undernevnte klimaapparat og varmepumper ved bruk i boliger, samt kommersielle og lettindustrielle miljøer:

vakuuttaa täten yksinomaista vastuutaan, että jäljempänä kuvutat asuinrakennuksiin, pienteeollisuuskäyttöön ja kaupalliseen käyttöön tarkoitettuihin ilmastointilaitteisiin ja lämpöpumpuihin:

tímto na vlastní odpovědnost prohlašuje, že níže popsané klimatizační jednotky a tepelná čerpadla pro použití v obytných prostředích, komerčních prostředích a prostředích lehkého průmyslu:

týmto na svoju výlučnú zodpovednosť vyhlasuje, že nasledovné klimatizačné jednotky a tepelné čerpadlá určené na používanie v obytných a obchodných priestoroch a v prostredí ľahkého priemyslu:

alulírott kizárólagos felelősségére nyilatkozik, hogy az alábbi lakossági, kereskedelmi és kisipari környezetben való használatra szánt klímaberendezés(ek) és hőszivattyú(k):

na lastno odgovornost izjavlja, da so spodaj opisane klimatske naprave in toplotne črpalke, namenjene za uporabo v stanovanjskih, poslovnih in lahkoindustrijskih okoljih:

declară prin prezenta, pe proprie răspundere, faptul că aparatele de climatizare și pompele de căldură descrise mai jos și destinate utilizării în medii rezidențiale, comerciale și din industria ușoară:

kinnitab oma ainuvastutust, et allpool toodud elu-, äri- ja kergtööstuskeskkondades kasutamiseks mõeldud kliimaseadmed ja soojuspumbad:

ar šo, vienpersoniski uzņemoties atbildību, paziņo, ka tālāk aprakstītais(-tie) gaisa kondicionētājs(-i) un siltumsūkņis(-i) ir paredzēti lietošanai dzīvojamajās, komercdarbības un vieglās rūpniecības telpās, kas aprakstītas tālāk:

šiuo vien tik savo atsakomybe pareiškia, kad toliau apibūdintas (-i) oro kondicionierius (-iai) ir šilumos siurblys (-iai), skirtas (-i) naudoti toliau apibūdintose gyvenamosiose, komercinėse ir lengvosios pramonės aplinkose:

ovime izjavljuje pod isključivom odgovornošću da je/su klimatizacijski uređaj(i) i toplinska dizalica(e) opisan(i) u nastavku namijenjen(i) za upotrebu u stambenim i poslovnim okruženjima te okruženjima lake industrije:

ovim izjavljuje na svoju isključivu odgovornost da su klima-uređaji i toplotne pumpe za upotrebu u stambenim, komercijalnim okruženjima i okruženjima lake industrije opisani u nastavku:

**MITSUBISHI ELECTRIC, SUZ-SWM30VA\*, SUZ-SWM40VA\*, SUZ-SWM60VA\*, SUZ-SWM80VA\*, SUZ-SWM100VA\***  
**SUZ-SHWM30VAH\*, SUZ-SHWM40VAH\*, SUZ-SHWM60VAH\*, SUZ-SWM80VAH\*, SUZ-SWM100VAH\***  
**\* : , , 1, 2, 3, , , , 9**

is/are in conformity with provisions of the following Union harmonisation legislation.  
die Bestimmungen der folgenden Harmonisierungsrechtsvorschriften der Union erfüllen/

erfüllen.  
est/sont conforme(s) aux dispositions de la législation d'harmonisation de l'Union

suivante.  
voldoet/voldoen aan bepalingen van de volgende harmonisatiewetgeving van de Unie.

cumple(n) con las disposiciones de la siguiente legislación de armonización de la Unión.

sono in conformità con le disposizioni della seguente normativa dell'Unione sull'armonizzazione.

συμμορφώνονται με τις διατάξεις της ακόλουθης νομοθεσίας εναρμόνισης της Ένωσης.

está/estão em conformidade com as disposições da seguinte legislação de harmonização da União.

er i overensstemmelse med bestemmelse i følgende harmoniserede EU-lovgivning.

uppfyller villkoren i följande harmoniserade föreskrifter inom unionen.

აşağıdaki Avrupa Birliği uyumlaştırma mevzuatının hükümlerine uygundur.

соответствуют положениям следующих законодательных актов Союза о гармонизации.

2014/35/EU: Low Voltage Directive  
2006/42/EC: Machinery Directive  
2014/30/EU: Electromagnetic Compatibility Directive  
2011/65/EU, (EU) 2015/863 and (EU) 2017/2102: RoHS Directive  
2009/125/EC: Energy-related Products Directive and Regulation (EU) No 813/2013

відповідають положенням вказаного далі законодавства Союзу щодо гармонізації.  
е/са в съответствие с разпоредбите на следното законодателство на Съюза за

хармонизация.  
są zgodne z przepisami następującego unijnego prawodawstwa harmonizacyjnego.

er i samsvar med forskriftene til følgende EU-lovgivning om harmonisering.

ovat seuraavan unionin yhdenmukaistamislainsäädännön säännösten mukaisia.

jsou v souladu s ustanoveními následujících harmonizačních právních předpisů Unie.

spĺňajú ustanovenia nasledujúcich harmonizovaných noriem EÚ.

megfelel(nek) az Unió alábbi harmonizációs jogszabályi előírásainak.

v skladu z določbami naslednje usklajevalne zakonodaje Unije.

sunt în conformitate cu dispozițiile următoare legislații de armonizare a Uniunii.

atbilst šādiem ES harmonizētajiem tiesību aktu noteikumiem.

taip pat atitinka kitų toliau išvardytų suderintųjų Sąjungos direktyvų nuostatas.

sukladan(i) odredbama sljedećeg zakonodavstva Unije za sukladnost.

u skladu sa odredbama sledećeg usklađivanja zakonodavstva Unije.

## <ENGLISH>

English is original. The other languages versions are translation of the original.

### ▲ CAUTION

- Refrigerant leakage may cause suffocation. Provide ventilation in accordance with EN378-1.
- Be sure to wrap insulation around the piping. Direct contact with the bare piping may result in burns or frostbite.
- Never put batteries in your mouth for any reason to avoid accidental ingestion.
- Battery ingestion may cause choking and/or poisoning.
- Install the unit on a rigid structure to prevent excessive operation sound or vibration.
- The A-weighted sound pressure level is below 70dB.
- This appliance is intended to be used by expert or trained users in shops, in light industry and on farms, or for commercial use by lay persons.

## <DEUTSCH>

Das Original ist in Englisch. Die anderen Sprachversionen sind vom Original übersetzt.

### ▲ VORSICHT

- Wenn Kältemittel austritt, kann dies zu Ersticken führen. Sorgen Sie in Übereinstimmung mit EN378-1 für Durchlüftung.
- Die Leitungen müssen isoliert werden. Direkter Kontakt mit nicht isolierten Leitungen kann zu Verbrennungen oder Erfrierungen führen.
- Nehmen Sie niemals Batterien in den Mund, um ein versehentliches Verschlucken zu vermeiden.
- Durch das Verschlucken von Batterien kann es zu Erstickungen und/oder Vergiftungen kommen.
- Installieren Sie das Gerät auf einem stabilen Untergrund, um übermäßige Betriebsgeräusche oder -schwingungen zu vermeiden.
- Der A-gewichtete Schalldruckpegel ist niedriger als 70dB.
- Dieses Gerät ist vorgesehen für die Nutzung durch Fachleute oder geschultes Personal in Werkstätten, in der Leichtindustrie und in landwirtschaftlichen Betrieben oder für die kommerzielle Nutzung durch Laien.

## <FRANÇAIS>

L'anglais est l'original. Les versions fournies dans d'autres langues sont des traductions de l'original.

### ▲ PRECAUTION

- Une fuite de réfrigérant peut entraîner une asphyxie. Fournissez une ventilation adéquate en accord avec la norme EN378-1.
- Assurez-vous que la tuyauterie est enveloppée d'isolant. Un contact direct avec la tuyauterie nue peut entraîner des brûlures ou des engelures.
- Ne mettez jamais des piles dans la bouche pour quelque raison que ce soit pour éviter de les avaler par accident.
- Le fait d'ingérer des piles peut entraîner un étouffement et/ou un empoisonnement.
- Installez l'appareil sur une structure rigide pour prévenir un bruit de fonctionnement et une vibration excessifs.
- Le niveau de pression acoustique pondéré est en dessous de 70 dB.
- Cet appareil est conçu pour un utilisateur expert ou les utilisateurs formés en magasin, dans l'industrie légère et dans l'agriculture ou dans le commerce par le profane.

## <NEDERLANDS>

Het Engels is het origineel. De andere taalversies zijn vertalingen van het origineel.

### ▲ VOORZICHTIG

- Het lekken van koelvloeistof kan verstikking veroorzaken. Zorg voor ventilatie in overeenstemming met EN378-1.
- Isoleer de leidingen met isolatiemateriaal. Direct contact met de onbedekte leidingen kan leiden tot brandwonden of bevriezing.
- Stop nooit batterijen in uw mond om inslikking te voorkomen.
- Het inslikken van batterijen kan verstikking of vergiftiging veroorzaken.
- Installeer het apparaat op een stabiele structuur om overmatig lawaai of trillingen te voorkomen.
- Het niveau van de geluidsdruk ligt onder 70 dB(A).
- Dit apparaat is bedoeld voor gebruik door ervaren of opgeleide gebruikers in werkplaatsen, in de lichte industrie en op boerderijen, of voor commercieel gebruik door leken.

## <ESPAÑOL>

El idioma original del documento es el inglés. Las versiones en los demás idiomas son traducciones del original.

### ▲ CUIDADO

- Las pérdidas de refrigerante pueden causar asfixia. Se debe proporcionar la ventilación determinada en EN378-1.
- Asegúrese de colocar el aislante alrededor de las tuberías. El contacto directo con la tubería puede ocasionar quemaduras o congelación.
- Para evitar una ingestión accidental, no coloque las pilas en su boca bajo ningún concepto.
- La ingestión de las pilas puede causar asfixia y/o envenenamiento.
- Coloque la unidad en una estructura rígida para evitar que se produzcan sonidos o vibraciones excesivos debidos a su funcionamiento.
- El nivel de presión acústica ponderado A es inferior a 70 dB.
- Este aparato está destinado a su uso por parte de usuarios expertos o capacitados en talleres, industrias ligeras y granjas, o a su uso comercial por parte de personas no expertas.

## <ITALIANO>

Il testo originale è redatto in lingua Inglese. Le altre versioni linguistiche rappresentano traduzioni dell'originale.

### ▲ ATTENZIONE

- Le perdite di refrigerante possono causare asfissia. Prevedere una ventilazione adeguata in conformità con la norma EN378-1.
- Accertarsi di applicare materiale isolante intorno alle tubature. Il contatto diretto con le tubature non schermate può provocare ustioni o congelamento.
- Non introdurre in nessun caso le batterie in bocca onde evitare ingestioni accidentali.
- L'ingestione delle batterie può provocare soffocamento e/o avvelenamento.
- Installare l'unità su una struttura rigida in modo da evitare rumore o vibrazioni eccessivi durante il funzionamento.
- Il livello di pressione del suono ponderato A è inferiore a 70dB.
- Questa apparecchiatura è destinata all'utilizzo da parte di utenti esperti o addestrati in negozi, industria leggera o fattorie oppure a un uso commerciale da parte di persone non esperte.

## <ΕΛΛΗΝΙΚΑ>

Η γλώσσα του πρωτοτύπου είναι η αγγλική. Οι εκδόσεις άλλων γλωσσών είναι μεταφράσεις του πρωτοτύπου.

### ▲ ΠΡΟΣΟΧΗ

- Η διαρροή του ψυκτικού ενδέχεται να προκαλέσει ασφυξία. Φροντίστε για τον εξαερισμό σύμφωνα με το πρότυπο EN378-1.
- Φροντίστε να τυλίξετε με μονωτικό υλικό τη σωλήνωση. Η απευθείας επαφή με τη γυμνή σωλήνωση ενδέχεται να προκαλέσει εγκαυμάτα ή κρυοπαγήματα.
- Μη βάζετε ποτέ τις μπαταρίες στο στόμα σας για κανένα λόγο ώστε να αποφύγετε την κατά λάθος κατάποσή τους.
- Η κατάποση μπαταριών μπορεί να προκαλέσει πνιγμό ή/και δηλητηρίαση.
- Εγκαταστήστε τη μονάδα σε σταθερή κατασκευή ώστε να αποφύγετε τον έντονο ήχο λειτουργίας ή τους κραδασμούς.
- Η Α-σταθμισμένη στάθμη ηχητικής πίεσης είναι κάτω των 70dB.
- Η Α-σταθμισμένη στάθμη ηχητικής πίεσης είναι κάτω των 70dB.
- Η συσκευή αυτή προορίζεται για χρήση από εμπειρογούς ή εκπαιδευμένους χρήστες σε καταστήματα, στην ελαφριά βιομηχανία και σε αγροκτήματα, ή για εμπορική χρήση από άτομα τα οποία δεν είναι ειδήμονες.

## <PORTUGUÊS>

O idioma original é o inglês. As versões em outros idiomas são traduções do idioma original.

### ▲ CUIDADO

- A fuga de refrigerante pode causar asfixia. Garanta a ventilação em conformidade com a norma EN378-1.
- Certifique-se de que envolve as tubagens com material de isolamento. O contacto directo com tubagens não isoladas pode resultar em queimaduras ou ulcerações provocadas pelo frio.
- Nunca coloque pilhas na boca, por nenhum motivo, para evitar a ingestão accidental.
- A ingestão de uma pilha pode causar obstrução das vias respiratórias e/ou envenenamento.
- Instale a unidade numa estrutura robusta, de forma a evitar ruídos ou vibrações excessivos durante o funcionamento.
- O nível de pressão sonora ponderado A é inferior a 70 dB.
- Este equipamento destina-se a ser utilizado por especialistas ou utilizadores com formação em lojas, na indústria ligeira e em quintas, ou para utilização comercial por leigos.

## <DANSK>

Engels er originalen. De andre sprogversioner er oversættelser af originalen.

### ▲ FORSIGTIG

- Lækage af kølemiddel kan forårsage kvælning. Sørg for udluftning i overensstemmelse med EN378-1.
- Sørg for at pakke rørene ind i isolering. Direkte kontakt med ubeklædte rør kan forårsage forbrændinger eller forfrysninger.
- Batterier må under ingen omstændigheder tages i munden for at forhindre utilsigtet indtagelse.
- Indtagelse af batterier kan forårsage kvælning og/eller forgiftning.
- Installer enheden på en fast struktur for at forhindre for høje driftslyde eller vibrationer.
- Det A-vægtede lydtrykniveau er under 70dB.
- Dette apparat er beregnet til at blive brugt af eksperter eller udlærte brugere i butikker, inden for let industri og på gårde eller til kommerciel anvendelse af lægmænd.

## <SVENSKA>

Engelska är originalspråket. De övriga språkversionerna är översättningar av originalet.

### ▲ FÖRSIKTIGHET

- Köldmedelsläckage kan leda till kvävning. Tillhandahåll ventilation i enlighet med EN378-1.
- Kom ihåg att linda isolering runt rören. Direktkontakt med bara rör kan leda till brännskador eller köldskador.
- Stoppa aldrig batterier i munnen, de kan sväljas av misstag.
- Om ett batteri sväljs kan det leda till kvävning och/eller förgiftning.
- Montera enheten på ett stadigt underlag för att förhindra höga driftljud och vibrationer.
- Den A-vägdade ljudtrycksnivån är under 70dB.
- Denna apparat är ämnad för användning av experter eller utbildade användare i affärer, inom lätt industri och på lanbruk, eller för kommersiell användning av lekmän.

## <TÜRKÇE>

Aslı İngilizce'dir. Diğer dillerdeki sürümler aslının çevirisidir.

### ▲ DİKKAT

- Soğutucu kaçağı boğulmaya neden olabilir. EN378-1 uyarınca uygun havalandırma sağlayın.
- Borular etrafına yalıtım yapıldığından emin olun. Borulara doğrudan çıplak elle dokunulması yanıklara veya soğuk ısırıklarına neden olabilir.
- Kazara yutmamak için, pilleri kesinlikle hiçbir amaçla ağzınızda tutmayın.
- Pillerin yutulması boğulmaya ve/veya zehirlenmeye yol açabilir.
- Aşırı çalıma seslerini veya titreşimi önlemek için, üniteyi sağlam bir yapı üzerine monte edin.
- A ağırıklı ses gücü seviyesi 70dB'nin altındadır.
- Bu cihaz tölöyelerde, hafif endüstriyel tesislerde ve çiftliklerde uzman veya eğitimli kullanıcılar tarafından kullanılmak üzere veya normal kullanıcılar tarafından ticari kullanım için tasarlanmıştır.

## <РУССКИЙ>

Языком оригинала является английский. Версии на других языках являются переводом оригинала.

### ▲ ОСТОРОЖНО

- Утечка хладагента может стать причиной удушья. Обеспечьте вентиляцию в соответствии с EN378-1.
- Обязательно оберните трубы изоляционным материалом. Непосредственный контакт с неизолированным трубопроводом может привести к ожогам или обморожению.
- Запрещается класть элементы питания в рот по каким бы то ни было причинам во избежание случайного проглатывания.
- Попадание элемента питания в пищеварительную систему может стать причиной удушья и/или отравления.
- Устанавливайте устройство на жесткую структуру во избежание чрезмерного шума или чрезмерной вибрации во время работы.
- Уровень звукового давления по шкале A не превышает 70 дБ.
- Данное устройство предназначено для использования специалистами или обученным персоналом в магазинах, на предприятиях легкой промышленности и фермах или для коммерческого применения неспециалистами.

## <УКРАЇНСЬКА>

Переклад оригіналу. Текст іншими мовами є перекладом оригіналу.

### ▲ ОБЕРЕЖНО

- Виток холодагента може призвести до удушся. Необхідно забезпечити вентиляцію відповідно до стандарту EN 378-1.
- Труби необхідно обмотати ізоляційним матеріалом. Прямий контакт із непокритою трубою може призвести до опіку або обмороження.
- Забороняється класти елементи живлення в рот із будь-яких причин, оскільки є ризик випадково їх проковтнути.
- Попадання елемента живлення в травну систему може стати причиною задхуки та/або отруєння.
- Встановлюйте блок на міцній конструкції, щоб уникнути надмірного рівня звуку роботи або вібрації.
- Рівень амплітудно зваженого акустичного тиску становить нижче 70 дБ.
- Цей прилад призначається для використання спеціалістами або особами, що пройшли відповідне навчання, у краніцях, легкій промисловості та сільськогосподарських підприємствах, а також для комерційного використання неспеціалістами.

## <БЪЛГАРСКИ>

Оригиналът е текстът на английски език. Версиите на други езици са преводи на оригинала.

### ▲ ВНИМАНИЕ

- Изтичането на хладилен агент може да причини задушаване. Осигурете вентилация съобразно с EN378-1.
- Не забравяйте да уветите изолация около тръбите. Директният контакт с оголени тръби може да причини изгаряне или измръзване.
- При никакви обстоятелства не поставяйте батериите в устата си, за да не ги поглънете по невнимание.
- Това може да доведе до задушаване и/или натравяне.
- Монтирайте тялото върху твърда конструкция, за да предотвратите прекомерен шум или вибрации по време на работа.
- А-претегленото ниво на звуково налягане е под 70 dB.
- Този уред е предназначен за използване от експерти или обучени потребители в магазини, в леката промисленост и във ферми, или за търговска употреба от неспециалисти.

## <POLSKI>

Językiem oryginału jest język angielski. Inne wersje językowe stanowią tłumaczenie oryginału.

### ▲ UWAGA

- Wyciek czynnika chłodniczego może spowodować uduszenie. Należy zapewnić wentylację zgodnie z normą EN378-1.
- Należy pamiętać, aby owinąć izolację wokół przewodów rurowych. Bezpośredni kontakt z niebezpiecznymi przewodami rurowymi może doprowadzić do poparzeń lub odmrożeń.
- Nie wolno wkładać baterii do ust z jakiegokolwiek powodu, aby uniknąć przypadkowego połknięcia.
- Połknięcie baterii może spowodować zadławienie i/lub zatrucie.
- Zainstalować urządzenie na sztywnej konstrukcji, aby zapobiec nadmieremu hałasowi i wibracjom.
- Poziom dźwięku A nie przekracza 70 dB.
- W sklepach, w przemyśle lekkim i w gospodarstwach rolnych urządzenie powinni obsługiwać profesjonaliści lub przeszkoleni użytkownicy, a w środowisku handlowym mogą to być osoby nieposiadające fachowej wiedzy.

## <NORSK>

Originalspråket er engelsk. De andre språkversjonene er oversettelser av originalen.

### ▲ FORSIKTIG

- Kjølemiddellekkasje kan forårsake kvelning. Sørge for ventilering i samsvar med EN378-1.
- Pass på at isoleringen pakkes godt rundt røret. Direkte kontakt med ukledte rør kan forårsake brannskader eller forfrysninger.
- Aldri plasser batteri i munnen, da dette kan medføre en risiko for at du svelger batteriet ved et uheld.
- Hvis du svelger et batteri, kan du risikere kvelning og/eller forgiftning.
- Installer enheten på en stabil struktur for å forhindre uønsket mye driftstøy eller vibrering.
- Det A-vektede lydtryknivået er under 70 dB.
- Denne apparatet er ment for bruk av eksperter eller faglært personell i butikker, lettindustri og på gårder, eller for kommersielt bruk av ikke-fagmenn.

## <SUOMI>

Englanti on alkuperäinen. Muut kieliversiot ovat alkuperäiskappaleen käännöksiä.

### ▲ HUOMIO

- Vuotava kylmäaine voi aiheuttaa tukehtumisen. Ilmanvaihdon on oltava EN378-1-standardin mukainen.
- Kääri putken ympärille eristysmateriaalia. Paljaan putken koskettamisesta voi seurata palon- tai paleltumavammoja.
- Älä koskaan laita paristoja suuhun, jotta et vahingossa nielaisisi niitä.
- Paristojen nieleminen voi aiheuttaa tukehtumisen ja/tai myrkytyksen.
- Asenna yksikkö tukeviin rakenteisiin, jotta sen käytöstä ei syntyisi ylimääräistä ääntä tai värinää.
- A-painotettu äänenpainetaso on alle 70 dB.
- Laite on tarkoitettu asiantuntijoiden tai laitteelle koulutuksen saaneiden käyttöön kauppoissa, pienteollisuudessa ja maataloilla tai maailloille kaupalliseen käyttöön.

## <ČEŠTINA>

Originál je v angličtině. Ostatní jazykové verze jsou překladem originálu.

### ▲ POZOR

- Únik chladicího média může způsobit udušení. Zajistěte větrání v souladu s normou EN 378-1.
- Okolo potrubí vždy omotejte izolací. Příjemý kontakt s obnaženým potrubím může způsobit popálení nebo omrzliny.
- Nikdy nevkláděte baterie do úst, aby nedošlo k jejich polknutí.
- Požití baterie může způsobit zadušení a/nebo otravu.
- Jednotku nainstalujte na pevnou konstrukci, aby nedocházelo ke vzniku nadměrného provozního hluku a vibrací.
- Hladina akustického tlaku A je nižší než 70 dB.
- Toto zařízení je určeno pro prodejny, lehký průmysl a farmy, kde je musí obsluhovat odborníci a školení uživatelé, a pro komerční použití, kde je mohou obsluhovat laici.

## <SLOVENČINA>

Překlad anglického originálu. Všetky jazykové verzie sú preložené z angličtiny.

### ▲ UPOZORNENIE

- Únik chladiva môže spôsobiť udusenie. Zabezpečte vetranie podľa normy EN 378-1.
- Nezabudnite potrubie obaliť izoláciou. Priamy kontakt s nezabaleným potrubím môže spôsobiť popáleniny alebo omrzliny.
- Baterie si nikdy z akéhokoľvek dôvodu nekladte do úst, aby nedošlo k ich náhodnému požití.
- Požitie batérií môže vyvolať dusenie a/alebo otravu.
- Nainštalujte jednotku na pevný konštrukčný prvok, aby ste obmedzili nadmerný prevádzkový hluk a vibrácie.
- Hladina akustického tlaku A je nižšia ako 70 dB.
- Toto zariadenie je určené na používanie odborníkmi alebo zaškolenými používateľmi v komerčných priestoroch, v prostredí ľahkého priemyslu, na farmách, alebo na komerčné použitie bežnými používateľmi.

## <MAGYAR>

Az angol változat az eredeti. A többi nyelvi változat az eredeti fordítása.

### ▲ VIGYÁZAT

- A hűtőközeg szivárgása fulladást okozhat. Gondoskodjon az EN378-1 szabvány előírásai szerinti szellőzéseről.
- Feltétlenül szigetelje körbe a csőveket. A csupaszzal való megérintése égési vagy fagyási sérülést okozhat.
- Ne vegyen a szájába elemet semmilyen célból, mert véletlenül lenyelheti!
- A lenyelést elem fulladást és/vagy mérgezést okozhat.
- A készüléket merev szerkezetre szerelje fel, hogy megakadályozza a túlzott üzemi zajt és vibrációt.
- Az A-súlyozott hangnyomásszint 70 dB alatt van.
- A készülék üzletek, a könnyűipar és gazdaságok szakértő vagy képzett felhasználói, valamint laikus felhasználók általi kereskedelmi használatra készült.

## <SLOVENŠČINA>

Izvirnik je v angleščini. Druge jezikovne različice so prevodi izvirnika.

### ▲ POZOR

- Puščanje hladiva lahko povzroči zadušitev. Zagotovite prezračevanje po standardu EN378-1.
- Cevi ovijte z izolacijo. Neposredni stik z golimi cevimi lahko povzroči opekline ali ozeblino.
- Nikoli in iz nobenega razloga ne vstavljajte baterij v usta, da jih po nesreči ne pogoltnete.
- Če baterije pogoltnete, se lahko zadužite in/ali zastropite.
- Enoto namestite na togo konstrukcijo, da preprečite pretiran zvok ali tresljaje med delovanjem.
- A-utežena raven zvočnega tlaka je pod 70 dB.
- Naprava je namenjena za uporabo s strani strokovnih ali ustrezno usposobljenih uporabnikov v trgovinah, lahki industriji in na kmetijah ter za komercialno uporabo s strani nestrokovnih uporabnikov.

## <ROMÂNĂ>

Textul original este în limba engleză. Versiunile pentru celelalte limbi sunt traduceri ale originalului.

### ▲ ATENȚIE

- Scurgerea de agent frigorific poate cauza asfixierea. Asigurați o ventilație corespunzătoare, conform standardului EN378-1.
- Asigurați-vă că înfășurați materialul izolator în jurul conductelor. Contactul direct cu conductele neizolate se poate solda cu arsuri sau degerături.
- Nu introduceți niciodată și pentru niciun motiv bateriile în gură, pentru a evita ingerarea accidentală a acestora.
- Ingerarea bateriilor poate cauza sufocarea și/sau intoxicația.
- Instalați unitatea pe o structură rigidă pentru a preveni producerea unui nivel excesiv de sunete sau vibrații.
- Nivelul de presiune acustică ponderat în A este mai mic de 70 dB.
- Acest aparat este destinat utilizării de către utilizatori specializați sau instruiți în cadrul spațiilor comerciale, spațiilor din cadrul industriei ușoare și al fermelor sau în scopuri comerciale de către nespecialiști.

## <EESTI>

Originaaljuhend on ingliskeelne. Muudes keeltes versioonid on originaali tõlked.

### ▲ ETTEVAATUST!

- Külmaaine leke võib põhjustada lämbumist. Tuulutamise standardi EN378-1 kohaselt.
- Mähkige torude ümber kindlasti isolatsiooni. Vahetu kontakt paljaste torudega võib põhjustada põletusi või külmaahjustusi.
- Hoiduge patareide tahtmatust allaneelamisest, ärge kunagi pange ühelgi põhjusel patareid suhu.
- Patarei allaneelamine võib põhjustada lämbumist ja/või mürgitust.
- Paigaldage seade järgale struktuurile, et vältida üleääramist tööle ja vibreerimist.
- A-filtriga helirõhu tase on madalam kui 70 dB.
- Seade on mõeldud kasutamiseks asjatundjatele ja väljaõppe läbinud kasutajatele poodides, kergtööstuses ja taludes ning kommertskasutuses tavaisikute poolt.

## <LATVIŠKI>

Oriģināls ir angļu valodā. Versijas citās valodās ir oriģināla tulkojums.

### ▲ UZMANĪBU

- Aukstumaģenta noplūdes gadījumā pastāv nosmakšanas risks. Ir jānodrošina standartam EN378-1 atbilstoša ventilācija.
- Aptiniet caurules ar izolējošu materiālu. Pieskaroties neapitām caurulēm, var būt apdegumus vai apsaldējumus.
- Aizliegts ievietot baterijas mutē; pastāv norīšanas risks.
- Bateriju norīšana var izraisīt aizrīšanas un/vai saindēšanas.
- Uzstādiet iekārtu uz izturīgas struktūras, lai izvairītos no pārlieku liela darbības trokšņa vai vibrācijas.
- A — izsvārotais skaņas spiediena līmenis ir mazāks par 70 dB.
- Šo iekārtu paredzēts lietot speciālistiem vai apmācītiem lietotājiem veikalos, vieglās rūpniecības telpās un lauksaimniecības fermās, kā arī to var lietot nespeciālisti komerciālām vajadzībām.

## <LIETUVIŠKAI>

Originalas yra anglų k. Versijos kitomis kalbomis yra originalo vertimas.

### ▲ ATSARGIAI

- Dėl šaltnešio nuotėkio galima uždegti. Išvėdinkite patalpas pagal EN378-1.
- Būtinai vamzdelius apvyniokite izoliacija. Prilietus prie plikų vamzdelių galima nusideginti arba nušalti.
- Siekdami išvengti atsistiktinio prarijimo, niekada nedėkite baterijų į burną.
- Prarijus bateriją galima užspringti ir / arba apsinuodyti.
- Jrenginį sumontuokite ant tvirtos struktūros, kad nesigirdėtų pernelyg didelio veikimo triukšmo ar vibracijos.
- A svertinis garso slėgio lygis nesiekia 70 dB;
- Šis prietaisas skirtas naudoti specialistui ar išmokytiems naudotojams dirbtuvėse, lengvojoje pramonėje ar ūkiuose arba komerciniam naudojimui nespecialistams.

## <HRVATSKI>

Tekst je izvorno napisan na engleskom jeziku. Tekst na ostalim jezicima predstavljaju prijevod izvorno napisanog teksta.

### ▲ OPREZ

- Curenje rashladnog sredstva može uzrokovati gušenje. Osigurajte ventilaciju u skladu s normom HR EN378-1.
- Obavezno stavite izolaciju oko položenih cijevi. Izravni doticaj s golim cijevima može dovesti do opekлина ili smrzavanja.
- Nikada ne stavljajte baterije u usta ni zbog kojeg razloga kako biste izbjegli slučajno gutanje.
- Gutanje baterija može prouzročiti gušenje i/ili trovanje.
- Postavite jedinicu na čvrstu strukturu kako biste izbjegli prebučan zvuk tijekom rada ili pojavu vibracija.
- Razina zvučnog tlaka A niža je od 70dB.
- Ovaj uređaj mogu upotrebljavati stručnjaci ili osposobljeni korisnici u trgovinama, lakoj industriji i na poljoprivrednim gospodarstvima ili laici u komercijalne svrhe.

## <SRPSKI>

Prevod originala. Verzije na drugim jezicima su prevodi originala.

### ▲ OPREZ

- Curenje rashladne tečnosti može da dovede do gušenja. Obezbedite ventilaciju u skladu sa EN378-1.
- Obavezno obmotajte izolaciju oko cevi. Direktan kontakt sa golom cevi može izazvati opekotine ili promrzline.
- Nikada nemojte stavljati baterije u usta iz bilo kog razloga, kako bi se sprečilo slučajno gutanje.
- Gutanje baterija može da izazove gušenje i/ili trovanje.
- Ugradite jedinicu na čvrstu strukturu kako biste sprečili previše jak zvuk rada ili vibracije.
- A-ponderisani nivo jačine pritiska zvuka je ispod 70 dB.
- Ovaj uređaj je namenjen za upotrebu od strane stručnjaci ili obučeni korisnika u prodavnicama, u lakoj industriji i na farmama ili za komercijalnu upotrebu od strane nekvalifikovanih lica.

Please be sure to put the contact address/telephone number on this manual before handing it to the customer.

**mitsubishi electric corporation**

HEAD OFFICE: TOKYO BUILDING, 2-7-3, MARUNOUCHI, CHIYODA-KU, TOKYO 100-8310, JAPAN

# Air to Water Heat Pump SUZ-SWM·VA(H) series SUZ-SHWM·VAH series

INSTALLATION MANUAL	FOR INSTALLER	English
INSTALLATIONSHANDBUCH	FÜR INSTALLATEURE	Deutsch
MANUEL D'INSTALLATION	POUR L'INSTALLATEUR	Français
INSTALLATIEHANDLEIDING	VOOR DE INSTALLATEUR	Nederlands
MANUAL DE INSTALACIÓN	PARA EL INSTALADOR	Español
MANUALE DI INSTALLAZIONE	PER L'INSTALLATORE	Italiano
ΕΓΧΕΙΡΙΔΙΟ ΟΔΗΓΙΩΝ ΕΓΚΑΤΑΣΤΑΣΗΣ	ΓΙΑ ΑΥΤΟΝ ΠΟΥ ΚΑΝΕΙ ΤΗΝ ΕΓΚΑΤΑΣΤΑΣΗ	Ελληνικά
MANUAL DE INSTALAÇÃO	PARA O INSTALADOR	Português
INSTALLATIONSMANUAL	TIL INSTALLATØREN	Dansk
INSTALLATIONSMANUAL	FÖR INSTALLATÖREN	Svenska
MONTAJ ELKİTABI	MONTÖR İÇİN	Türkçe
РУКОВОДСТВО ПО УСТАНОВКЕ	ДЛЯ УСТАНОВИТЕЛЯ	Русский
ПОСІБНИК З УСТАНОВЛЕННЯ	ДЛЯ СПЕЦІАЛІСТА З МОНТАЖУ	Українська
РЪКОВОДСТВО ЗА МОНТАЖ	ЗА МОНТАЖНИКА	Български
INSTRUKCJA MONTAŻU	DLA INSTALATORA	Polski
INSTALLASJONSHÅNDBOK	FOR MONTØR	Norsk
ASENNUSOPAS	ASENTAJALLE	Suomi
INSTALAČNÍ PŘÍRUČKA	PRO MONTÁŽNÍ PRACOVNÍKY	Čeština
NÁVOD NA INŠTALÁCIU	PRE MONTÉRA	Slovenčina
TELEPÍTÉSI KÉZIKÖNYV	A TELEPÍTŐ RÉSZÉRE	Magyar
NAMESTITVENI PRIROČNIK	ZA MONTERJA	Slovenščina
MANUAL DE INSTALARE	PENTRU INSTALATOR	Română
PAIGALDUSJUHEND	PAIGALDAJALE	Eesti
MONTĀŽAS ROKASGRĀMATA	UZSTĀDĪŠANAS SPECIĀLISTAM	Latviski
MONTAVIMO VADOVAS	SKIRTA MONTUOTOJUI	Lietuviškai
PRIRUČNIK ZA POSTAVLJANJE	ZA INSTALATERA	Hrvatski
UPUTSTVO ZA UGRADNJU	ZA MONTERA	Srpski



1. Bezpečnostné upozornenia	1	6. Elektrické zapojenie	9
2. Výber miesta inštalácie	3	7. Údržba	10
3. Diagram inštalácie	5	8. Inštalácia vodného potrubia	11
4. Odtokové potrubie z exteriérovej jednotky	5	9. Odčerpanie	13
5. Inštalácia chladivového potrubia	6	10. Špecifikácie	14



**Poznámka: Tento symbol platí len pre krajiny EÚ.**

Tento symbol je v súlade so smernicou 2012/19/EÚ článok 14 Informácie pre používateľov a prílohou IX.

Tento výrobok spoločnosti MITSUBISHI ELECTRIC je navrhnutý a vyrobený z vysokokvalitných materiálov a komponentov, ktoré je možné recyklovať a opätovne použiť.

Tento symbol znamená, že elektrické a elektronické zariadenia by sa na konci svojej životnosti mali zlikvidovať oddelene od komunálneho odpadu.

Zlikvidujte toto zariadenie správnym spôsobom vo vašom miestnom stredisku separovaného zberu a recyklácie odpadu.

V Európskej únii existujú systémy separovaného zberu použitých elektrických a elektronických zariadení.

Pomôžete tým chrániť životné prostredie, v ktorom žijeme.

## ! UPOZORNENIE:

- Plyn R32 nevypúšťajte do atmosféry.

## 1. Bezpečnostné upozornenia

- ▶ Pred inštaláciou zariadenia si dôkladne prečítajte celú časť „Bezpečnostné upozornenia“.
- ▶ Pripojenie systému vopred ohláste autorizovanému pracovníkovi dodávateľa alebo si vyžiadajte jeho súhlas.

## ! VÝSTRAHA:

Označuje upozornenia, ktoré je nutné dodržať, aby nevzniklo nebezpečenstvo úrazu alebo usmrtenia používateľa.

## ! UPOZORNENIE:

Označuje upozornenia, ktoré je nutné dodržať, aby nedošlo k poškodeniu zariadenia.

Po dokončení inštaláčnych prác podľa informácií v návode na obsluhu vysvetlite zákazníkovi časť „Bezpečnostné upozornenia“, používanie a údržbu zariadenia a vykonajte prevádzkovú skúšku, či zariadenie funguje normálne. Návod na inštaláciu aj návod na obsluhu nechajte používateľovi. Tieto návody je potrebné odovzdať prípadným ďalším používateľom.

⚡ : Označuje časť, ktorá musí byť uzemnená.

## ! VÝSTRAHA:

Dôkladne si prečítajte obsah štítkov na hlavnej jednotke.

ⓘ : Indikuje výstrahy a upozornenia pri používaní chladiva R32.

## VÝZNAM SYMBOLOV NA INTERIÉROVEJ A EXTERIÉROVEJ JEDNOTKE

	<b>VÝSTRAHA</b> (Nebezpečenstvo požiaru)	Tento symbol sa vzťahuje len na chladivo R32. Typ chladiva je uvedený na typovom štítku exteriérovej jednotky. Ak ide o chladivo typu R32, v tomto zariadení sa používa horľavé chladivo. Ak sa v prípade úniku dostane chladivo do styku s ohňom alebo ohrevnou súčasťou, vzniknú nebezpečné výpary, ktoré sa môžu vznietiť.
		Pred použitím zariadenia si dôkladne preštudujte NÁVOD NA OBSLUHU.
		Servisní pracovníci si musia pred akýmkoľvek zásahom dôkladne preštudovať NÁVOD NA OBSLUHU a NÁVOD NA INŠTALÁCIU.
		Ďalšie informácie sú k dispozícii v NÁVODE NA OBSLUHU, NÁVODE NA INŠTALÁCIU a v ďalšej dokumentácii.

## ! VÝSTRAHA:

- Zariadenie nesmie inštalovať používateľ. O inštaláciu či opravu zariadenia požiadajte predajcu alebo autorizovaného technika. Ak zariadenie nie je nainštalované správne, môže dôjsť k úniku vody, zásahu elektrickým prúdom alebo k požiaru.
- Pri inštalácii a premiestňovaní postupujte podľa pokynov v návode na inštaláciu a používajte náradie a potrubné spoje určené na použitie s chladivom R32. Ak sa použijú potrubné spoje, ktoré nie sú určené pre chladivo R32, a zariadenie nie je nainštalované správne, potrubie môže prasknúť a spôsobiť poškodenie alebo zranenia. Okrem toho môže dôjsť k úniku vody, zásahu elektrickým prúdom alebo k požiaru.
- Zariadenie sa musí nainštalovať v súlade s pokynmi, aby sa minimalizovalo riziko poškodenia vplyvom zemetrasenia či silného vetra. Nesprávne nainštalované zariadenie môže spadnúť a spôsobiť škodu alebo úraz.
- Zariadenie sa musí spoľahlivo nainštalovať na konštrukciu, ktorá udrží jeho hmotnosť. Ak je zariadenie osadené na nestabilnú konštrukciu, môže spadnúť a spôsobiť poškodenie alebo zranenia.
- Ak sa tepelné čerpadlo vzduch-voda inštaluje do malej miestnosti, je potrebné podniknúť opatrenia, aby v prípade úniku chladiva jeho koncentrácia v miestnosti neprekročila bezpečnostný limit. Vhodné opatrenia, ktoré zabránia prekročeniu povolenej koncentrácie, konzultujte s predajcom. V prípade úniku chladiva a následného prekročenia bezpečnostného limitu môže vzniknúť nebezpečenstvo nedostatku kyslíka v miestnosti.
- V prípade úniku chladiva počas prevádzky vyvetrajte miestnosť. Ak sa chladivo dostane do kontaktu s ohňom, uvoľní sa jedovaté plyny.
- Elektrické zapojenie smie vykonávať len kvalifikovaný technik v súlade s miestnymi predpismi a pokynmi uvedenými v tomto návode. Zariadenie musí byť napájané vyhradeným elektrickým vedením a musí sa použiť správne napätie a ističe. Elektrické vedenie s nedostatočnou kapacitou alebo nesprávnym elektrickým zapojením môže spôsobiť úraz elektrickým prúdom alebo požiar.
- Pri spájaní chladivového potrubia použite spájky C1220 na báze meď – fosfor pre súvislé potrubia z meď a medenej zliatiny. Ak potrubia nie sú pripojené správne, jednotka nebude dostatočne uzemnená a hrozí riziko úrazu elektrickým prúdom.
- Toto zariadenie je určené na používanie odborníkmi alebo zaškolenými používateľmi v komerčných priestoroch, v prostredí ľahkého priemyslu, na farmách, alebo na komerčné použitie bežnými používateľmi.
- Ako vodiče používajte len tu uvedené káble. Elektrické spoje musia byť realizované spoľahlivo a vodiče nesmú na svorky prenášať žiadny ťah. Káble taktiež nikdy nenadpájajte (ak v tomto dokumente nie je uvedené inak). V prípade nedodržania týchto pokynov môže dôjsť k prehriatiu alebo požiaru.
- Ak je napájací kábel poškodený, v záujme bezpečnosti ho smie vymeniť len výrobca, jeho servisný zástupca alebo osoba s podobnou kvalifikáciou.
- Zariadenie je potrebné inštalovať v súlade s miestnymi právnymi predpismi pre elektroinštaláciu.
- Kryt svorkovnice exteriéroveho zariadenia musí byť riadne pripevnený. Ak kryt nie je správne nainštalovaný a do zariadenia vnikne prach a vlhkosť, hrozí riziko úrazu elektrickým prúdom alebo požiaru.

# 1. Bezpečnostné upozornenia

- Pri inštalácii, premiestňovaní alebo servise tepelného čerpadla vzduch-voda používajte na plnenie chladivových potrubí len určené chladivo (R32). Nemiešajte ho so žiadnym iným chladivom a dbajte, aby v potrubíach neostal žiadny vzduch. V prípade zmiešania chladiva so vzduchom môže dôjsť k abnormálnemu zvýšeniu tlaku v chladivovom potrubí a následne k výbuchu alebo inému nebezpečenstvu. Použitie iného než predpísaného chladiva v systéme spôsobí zlyhanie mechaniky, nesprávne fungovanie systému alebo poruchu zariadenia. V najhoršom prípade to môže viesť k vážnemu narušeniu bezpečnosti fungovania výrobku.
- Používajte len príslušenstvo schválené spoločnosťou Mitsubishi Electric a o jeho inštaláciu požiadať predajcu alebo autorizovaného technika. Ak príslušenstvo nie je nainštalované správne, môže dôjsť k úniku vody, zásahu elektrickým prúdom alebo k požiaru.
- Nemodifikujte zariadenie. Môže to spôsobiť požiar, úraz elektrickým prúdom, zranenie alebo únik vody.
- Používateľ sa nesmie pokúšať o opravu zariadenia ani jeho premiestnenie. Ak zariadenie nie je nainštalované správne, môže dôjsť k úniku vody, zásahu elektrickým prúdom alebo k požiaru. Ak treba tepelné čerpadlo vzduch-voda opraviť alebo premiestniť, požiadať o to predajcu alebo autorizovaného technika.
- Ak v chladiacom obvode dochádza k úniku, NEODČERPÁVAJTE pomocou kompresora.
- Pri pumpovaní chladiva pred odpojením chladivového potrubia zastavte kompresor. Ak sa do kompresora dostane vzduch a pod., môže prasknúť.
- Po dokončení inštalácie skontrolujte, či nikde neuniká chladivo. Ak by chladivo unikalo do miestností a prišlo do kontaktu s plameňom v ohrievači alebo variči, dôjde k uvoľneniu jedovatých plynov.
- Nepoužívajte iné prostriedky na urýchlenie procesu rozmrazenia alebo na čistenie, než odporúča výrobca.
- Zariadenie skladujte len v miestnosti bez zdrojov vznietenia s nepretržitou prevádzkou (napr. otvorený oheň, zapnutý plynový spotrebič alebo zapnutý elektrický ohrievač).
- Neprepichujte ani nehádzajte do ohňa.
- Pozor, chladivo môže byť bez zápachu.
- Potrubia musia byť chránené pred fyzickým poškodením.
- Dĺžka nainštalovaného potrubia musí byť čo najmenšia.
- Je nutné dodržať vnútroštátne predpisy týkajúce sa plynových inštalácií.
- Všetky vetracie otvory chráňte pred upchatím.
- V prípade, že chladivové potrubie natvrdo spájkujete, nepoužívajte nízkoteplotnú spájkovaciu zliatinu.
- Pri spájkovaní natvrdo zaistíte dôkladné vetranie miestnosti. Presvedčte sa, či v blízkosti nie sú žiadne nebezpečné alebo horľavé látky. Pri vykonávaní prác v uzavretej miestnosti, malej miestnosti alebo na podobnom mieste sa pred začatím prác uistite, či nedochádza k žiadnemu úniku chladiva. V prípade nahromadenia sa uniknuté chladivo môže vznietiť alebo sa môžu uvoľniť jedovaté plyny.
- Zariadenie skladujte v dobre vetranej miestnosti podobnej veľkosti ako miestnosť, v ktorej sa má používať.
- Na mieste, kde sa vykonáva inštalácia tepelného čerpadla vzduch-voda, jeho oprava alebo iné práce s ním, sa nesmú nachádzať plynové spotrebiče, elektrické ohrievače a iné zdroje vznietenia (otvoreného ohňa). Ak sa chladivo dostane do kontaktu s ohňom, uvoľnia sa jedovaté plyny.
- Počas prác a prepravy nefajčite.
- Nepridávajte viac chladiva ako je maximálne množstvo pre každú exteriérovú jednotku. Pri prekročení maximálneho množstva chladiva by mohlo dôjsť pri úniku chladiva k vzniku požiaru.

## 1.1. Pred inštaláciou



### UPOZORNENIE:

- Nepoužívajte zariadenie v neštandardnom prostredí. V prípade nainštalovania tepelného čerpadla vzduch-voda v priestoroch vystavených pare, prchavým olejom (vrátane strojových) alebo plynom s obsahom síry, ako aj v priestoroch s vysokým obsahom soli, napríklad pri morskom pobreží, alebo v oblastiach, kde bude zariadenie prikrývané snehom, sa môže jeho výkonnosť výrazne znížiť a vnútorné časti sa môžu poškodiť.
- Zariadenie neinštalujte na mieste, kde môže dôjsť k úniku, vzniku, prúdeniu alebo hromadeniu horľavých plynov. V prípade nahromadenia horľavých plynov v okolí zariadenia môže dôjsť k požiaru alebo výbuchu.
- Exteriérová jednotka pri kúrení produkuje kondenzáciu. Ak by takáto kondenzácia mohla spôsobiť poškodenie, okolo exteriérovej jednotky zabezpečte drenáž.
- Pri inštalácii zariadenia v nemocnici alebo komunikačných kanceláriách počítajte s hlukom a elektronickým rušením. Invertory, domáce spotrebiče, vysokofrekvenčné zdravotnícke prístroje a rádiokomunikačné zariadenia môžu tepelnému čerpadlu vzduch-voda spôsobiť poruchu alebo zlyhanie. Taktiež tepelné čerpadlo vzduch-voda môže rušiť zdravotnícke prístroje, čím môže nepriaznivo ovplyvniť zdravotnú starostlivosť, a činnosť komunikačných zariadení a tým znížiť kvalitu zobrazenia na displejoch.

## 1.2. Pred inštaláciou (premiestnením)



### UPOZORNENIE:

- Pri preprave alebo inštalácii dávajte na jednotky veľký pozor. Na manipuláciu s jednotkou sú potrebné dve alebo viac osôb, keďže váži viac ako 20 kg. Nedržte balenie za baliace pásky. Pri vyťahovaní jednotky z obalu a jej premiestňovaní si nasadzte ochranné rukavice, pretože by ste si mohli zraniť ruky o rebrá alebo hrany iných dielcov.
- Obalové materiály bezpečným spôsobom zlikvidujte. Časti obalových materiálov, ako sú klince alebo iné kovové či drevené časti, môžu spôsobiť poranenie alebo iný úraz.
- Na základni a prípojkách exteriérovej jednotky treba pravidelne kontrolovať uvoľnené časti, praskliny alebo iné poškodenia. Ak sa takéto závady neopravia, jednotka môže spadnúť a spôsobiť poškodenie alebo zranenia.
- Jednotku tepelného čerpadla vzduch-voda nečistite vodou. Mohlo by dôjsť k zásahu elektrickým prúdom.
- Všetky prevlečné matice dotiahnite momentovým kľúčom na požadovaný moment. Príliš dotiahnutá prevlečná matica sa môže po určitej dobe prelomiť a môže dôjsť k vytečeniu chladiva.

## 1.3. Pred elektrickým zapojením



### UPOZORNENIE:

- Nezabudnite nainštalovať ističe. Ak nie sú nainštalované, môže dôjsť k zásahu elektrickým prúdom.
- Na elektrické vedenia použijte štandardné káble s dostatočnou kapacitou. V opačnom prípade môže dôjsť k skratu, prehriatiu alebo k požiaru.
- Pri inštalácii elektrických vedení káble nenatáhujte. Ak sú spoje uvoľnené, káble sa môžu pretrhnúť alebo porušiť a môže dôjsť k prehriatiu alebo k požiaru.
- Nezabudnite zariadenie uzemniť. Uzemňovací vodič nepripájajte k plynovému ani vodovodnému potrubiu, bleskozvodom ani k uzemňovacím vodičom telefónu. Ak zariadenie nie je správne uzemnené, môže dôjsť k zásahu elektrickým prúdom.
- Použite ističe (zemný vypínač, izolačný spínač (+ poistka typu B) a prevádzkový istič) s uvedenou kapacitou. V prípade použitia ističov s väčšou kapacitou, než je uvedená, môže dôjsť k poruche alebo požiaru.

# 1. Bezpečnostné upozornenia

## 1.4. Pred spustením skúšobnej prevádzky

### ! UPOZORNENIE:

- Najneskôr 12 hodín pred spustením prevádzky zapnite hlavný vypínač. Spustením prevádzky ihneď po zapnutí hlavného vypínača by ste mohli vážne poškodiť vnútorné súčasti. Počas prevádzkovej sezóny nechajte vypínač zapnutý.
- Pred spustením prevádzky skontrolujte, či sú správne namontované všetky panely, chrániče a ďalšie ochranné časti. Časti, ktoré sa otáčajú, zohrievajú alebo sú pod vysokým napätím, môžu spôsobiť úraz.

- Žiadneho vypínača sa nedotýkajte mokrymi rukami. Mohlo by dôjsť k zásahu elektrickým prúdom.
- Počas prevádzky sa holými rukami nedotýkajte chladivového potrubia. Chladivové potrubia sú horúce alebo studené, v závislosti od stavu pretekajúceho chladiva. Ak sa dotknete potrubí, hrozí riziko popálenia alebo omrzlín.
- Po zastavení prevádzky počkajte aspoň päť minút, až potom vypnite hlavný vypínač. V opačnom prípade môže dôjsť k úniku vody alebo k poruche.

## 1.5. Používanie tepelného čerpadla vzduch-voda s chladivom R32

### ! UPOZORNENIE:

- Pri spájaní chladivového potrubia použite spájky C1220 na báze meď – fosfor pre súvislé potrubia z meď a medenej zliatiny. Skontrolujte, či sú trúbky zvnútra čisté a či neobsahujú žiadne škodlivé kontaminanty, ako sú zlúčeniny síry, oxidanty, nečistoty alebo prach. Používajte potrubia určenej hrúbky. (Postupujte podľa 4.1.) Pri opakovanom používaní existujúcich potrubí, ktoré prenášali chladivo R22, dodržujte nasledujúce pokyny.
  - Vymeňte existujúce prevlečné matice a pertlované časti vytvorte znova.
  - Nepoužívajte tenké potrubia. (Postupujte podľa 4.1.)
- Potrubia, ktoré budete používať počas inštalácie, skladujte v interiéri. Oba konce potrubí nechajte uzavreté až do spájovania. (Kĺbové spoje a pod. nechajte v balení.) Ak do chladiacich potrubí vnikne prach, nečistoty alebo vlhkosť, môže dôjsť k znehodnoteniu oleja alebo k poruche kompresora.
- Na pertlované časti použite ako chladiaci olej malé množstvo esterového, éterového alebo alkybenzénového oleja. Ak sa minerálny olej zmieša s chladiacim olejom, môže dôjsť k znehodnoteniu oleja.

- Servis sa smie vykonávať len v súlade s odporúčaniami výrobcu.
- Nepoužívajte iné chladivo než R32. Ak sa použije iné chladivo, chlór spôsobí zhoršenie kvality oleja.
- Používajte nasledujúce náradie konkrétne určené na použitie s chladivom R32. Pri používaní chladiva R32 je potrebné nasledujúce náradie. V prípade akýchkoľvek otázok sa obráťte na najbližšieho predajcu.

Náradie (pre R32)	
Manometer	Pertlovačka
Plniaca hadica	Meradlo na nastavenie veľkosti
Detektor úniku plynu	Adaptér vákuovej pumpy
Momentový kľúč	Elektronická váha na dopĺňanie chladiva

- Určite použite správne náradie. Ak do chladivových potrubí vnikne prach, nečistoty alebo vlhkosť, môže dôjsť k znehodnoteniu chladiaceho oleja.

## 2. Výber miesta inštalácie

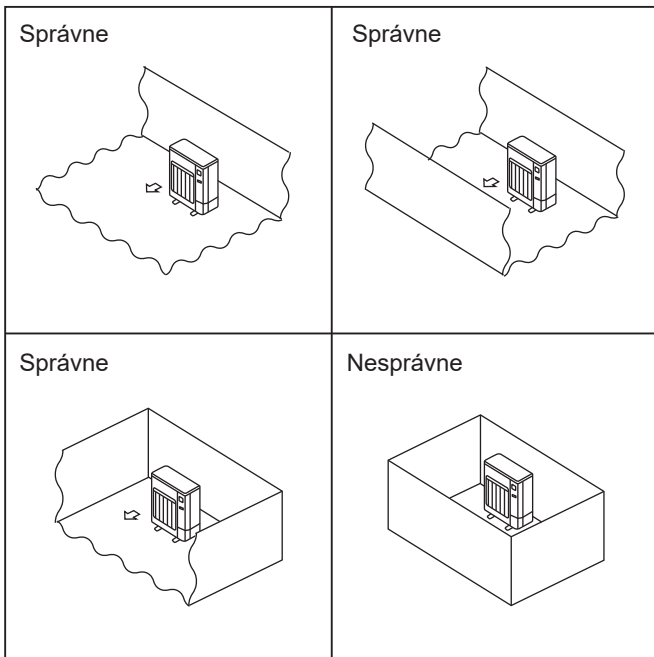


Fig. 2-1

### 2.1. Exteriérová jednotka

- Chladivo R32 je – rovnako ako iné chladivá – ťažšie ako vzduch, preto má tendenciu akumulovať sa pri zemi (v blízkosti podlahy). Ak sa chladivo R32 naakumuluje v blízkosti podlahy v malej miestnosti, môže dosiahnuť koncentráciu, pri ktorej je horľavé. Aby nedošlo k jeho vznieteniu, dbajte na udržiavanie bezpečného pracovného prostredia dostatočným vetraním. V prípade zistenia úniku chladiva v miestnosti alebo priestore s nedostatočným vetraním nepoužívajte v tomto prostredí otvorený oheň, až kým priestory riadne nevyvetráte.
  - Kde nebude vystavená silnému vetru.
  - Na mieste s dobrým prúdením vzduchu a bez prachu.
  - Kde nebude spôsobovať príliš rýchle cyklovanie vzduchu.
  - Kde jej prevádzkové zvuky alebo horúci vzduch nebudú obťažovať susedov.
  - Na pevnej stene alebo nosnej konštrukcii, ktorá nebude zosilňovať prevádzkové zvuky a vibrácie.
  - Kde nie je riziko úniku horľavých plynov.
  - Pri inštalácii jednotky vo veľkej výške dôkladne uchyťte jej nožičky.
  - Aspoň 3 m od televíznej alebo rozhlasovej antény. (V opačnom prípade môže dôjsť k rušeniu obrazu alebo vzniku šumu.)
  - Nainštalujte jednotku na mieste, kde na ňu nebude padať alebo fúkať sneh. V oblastiach, kde veľa sneží, namontujte striešku, podstavec a/alebo deflektory.
  - Nainštalujte jednotku vo vodorovnej polohe.
  - Spoje chladivového potrubia musia byť dostupné pre potreby údržby.
- © Exteriérové jednotky inštalujte na miestach, kde je aspoň v jednom zo štyroch smerov voľný priestor a kde je dostatok miesta bez vytvárania výstupkov. (Fig. 2-1)

### ! UPOZORNENIE:

Vyhýbajte sa nasledovným miestam inštalácie, kde tepelné čerpadlá vzduch-voda často majú problémy.

- Kde sa vyskytuje priveľa strojového oleja.
- Slané prostredie alebo prímorské oblasti.
- Miesta s horúcimi prameňmi.
- Miesta so sýrovodíkovým plynom.
- Iné miesta so špecifickým ovzduším.

Exteriérová jednotka pri kúrení produkuje kondenzát. Vyberte na inštaláciu vhodné miesto, aby voda z odtoku nezamokrila exteriérovú jednotku alebo zem a aby v prípade zamrznutia nedošlo k poškodeniu.

## 2. Výber miesta inštalácie

### 2.2. Minimálna inštalačná plocha

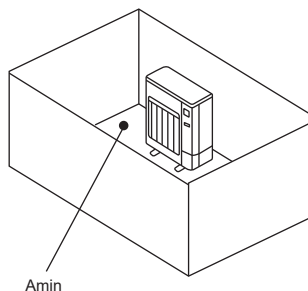
Ak je nevyhnutne potrebné nainštalovať jednotku na mieste, kde sú všetky štyri smery uzavreté, alebo v priehlbine, overte, či miesto vyhovuje jednému z týchto názkresov (A, B alebo C).

**Poznámka: Účelom týchto opatrení je bezpečnosť, nie zaručenie technických parametrov.**

A) Zabezpečte dostatočný priestor na inštaláciu (minimálna inštalačná plocha  $A_{min}$ ).

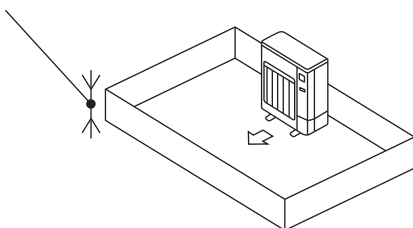
Inštalácia je možná na mieste, kde je zabezpečená aspoň inštalačná plocha  $A_{min}$  určená podľa množstva chladiva  $M$  (chladivová náplň od výroby + chladivo doplnené na mieste).

M [kg]	$A_{min}$ [m <sup>2</sup> ]
1,0	12
1,5	17
2,0	23
2,5	28
3,0	34
3,5	39
4,0	45
4,5	50
5,0	56
5,5	62
6,0	67
6,5	73
7,0	78
7,5	84

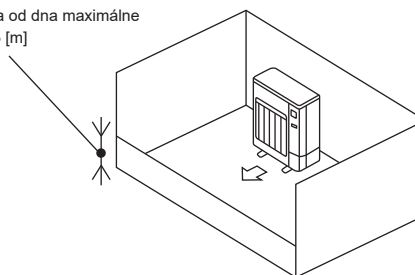


B) Inštalácia je možná v priehlbine hlbkej  $\leq 0,125$  [m].

Výška od dna maximálne  
0,125 [m]



Výška od dna maximálne  
0,125 [m]

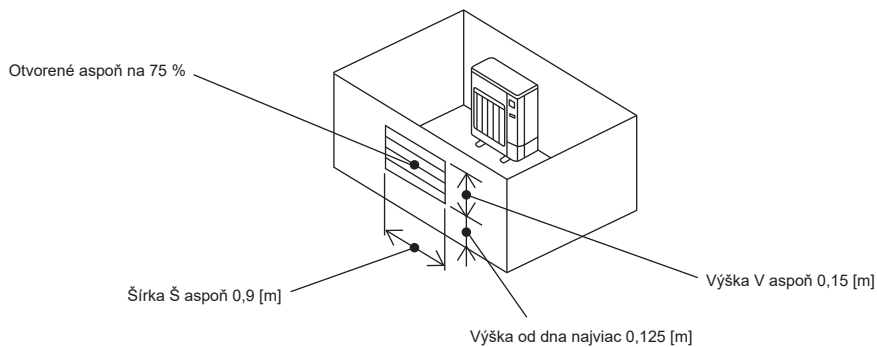


C) Vytvorte dostatočne veľký otvor na vetranie.

Šírka otvoru musí byť aspoň 0,9 [m] a jeho výška musí byť aspoň 0,15 [m].

Spodný okraj otvoru však môže byť vo výške maximálne 0,125 [m] od dna priehlbiny v mieste inštalácie.

Plocha otvoru musí byť voľná aspoň na 75 %.



**Poznámka: Interiérová jednotka nemá žiadne obmedzenia inštalácie z dôvodu použitia chladiva R32.**

**Vhodný priestor na inštaláciu nájdite podľa návodu na inštaláciu interiérovej jednotky.**

### 3. Diagram inštalácie

#### 3.1. Exteriérová jednotka (Fig. 3-1)

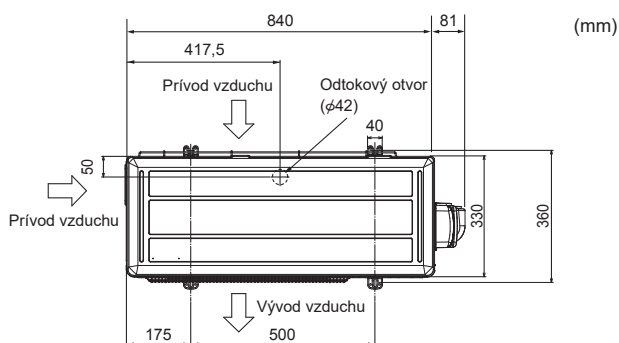
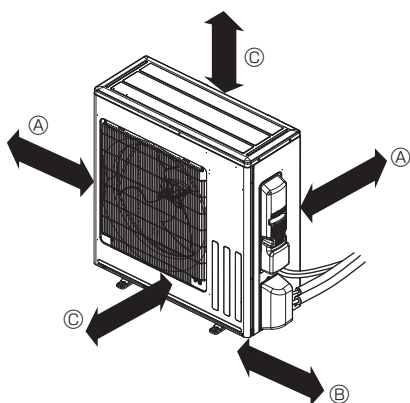
##### Priestor na vetranie a servis

- Ⓐ 100 mm alebo viac
- Ⓑ 350 mm alebo viac
- Ⓒ 500 mm alebo viac

Ak sa potrubie pripevňuje k stene, ktorá obsahuje kovy (cínovanie) alebo kovové pletivo, medzi stenu a potrubie vložte kus chemicky ošetreného dreva hrubý aspoň 20 mm alebo 7 až 8 ráz oviňte potrubie izolačnou vinylovou páskou.

Jednotky by mal inštalovať certifikovaný zhotoviteľ v súlade s požiadavkami miestnych zákonov.

- SUZ-SWM80VA2, SUZ-SWM80VAH2, SUZ-SWM100VA, SUZ-SWM100VAH, SUZ-SHWM60VAH



##### Poznámka:

Pri používaní tepelného čerpadla vzduch-voda pri nízkych vonkajších teplotách dbajte na dodržiavanie ďalej uvedených pokynov.

- Nikdy neinštalujte exteriérovú jednotku na mieste, kde môže byť prívod alebo vývod vzduchu priamo vystavený vetru.
- Aby nedochádzalo k vystaveniu vetru, nainštalujte exteriérovú jednotku prívodom vzduchu smerom k stene.
- Aby nedochádzalo k vystaveniu vetru, odporúča sa na strane exteriérovej jednotky, kde je vývod vzduchu, nainštalovať deflektor.

- SUZ-SWM30VA, SUZ-SWM40VA2, SUZ-SWM60VA2, SUZ-SHWM30VAH, SUZ-SHWM40VAH

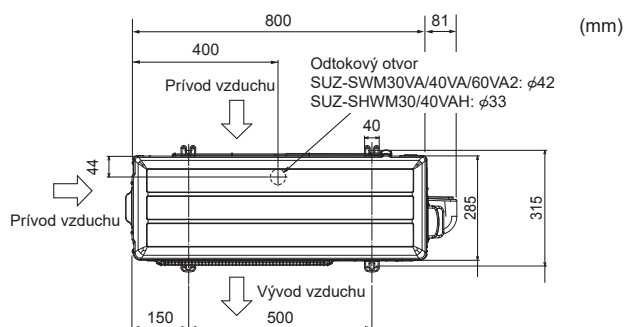
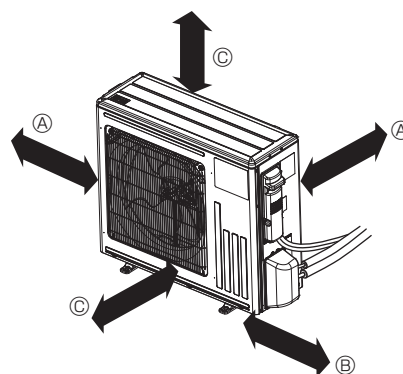


Fig. 3-1

### 4. Odtokové potrubie z exteriérovej jednotky (Fig. 4-1)

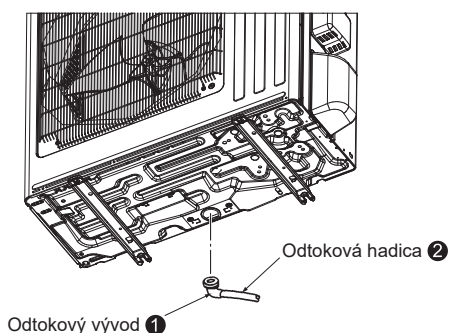


Fig. 4-1

#### 4.1. Príslušenstvo

Pred inštaláciou skontrolujte nasledovné súčasti.

<Exteriérová jednotka>

①	Odtokový vývod	1
---	----------------	---

- Pripravte odtokové potrubie ešte pred pripojením potrubí interiérovej a exteriérovej jednotky. (Odtokový vývod ① sa bude inštalovať ťažko, ak prostredníctvom potrubia prepojíte interiérovú jednotku s exteriérovou pred inštaláciou odtokového potrubia, pretože s exteriérovou jednotkou sa nebude dať pohybovať.)
- Pripojte odtokovú hadicu ② (zakúpite v obchode, vnútorný priemer: 15 mm) podľa obrázka.
- Dbajte na sklon odtokového potrubia nadol, aby voda ľahko otekala.

##### Poznámka:

Nepoužívajte odtokový vývod ① v studených oblastiach. Odtok by mohol zamrznúť a spôsobiť zastavenie ventilátora.

Odtokový vývod nie je súčasťou jednotiek série SHWM.

## 5. Inštalácia chladivového potrubia

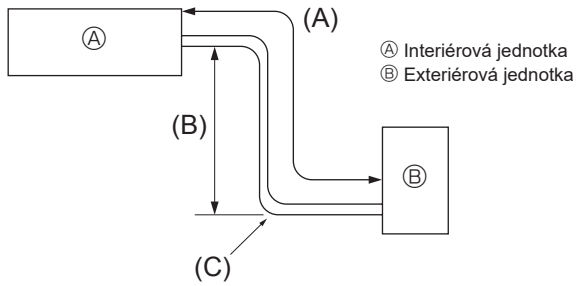


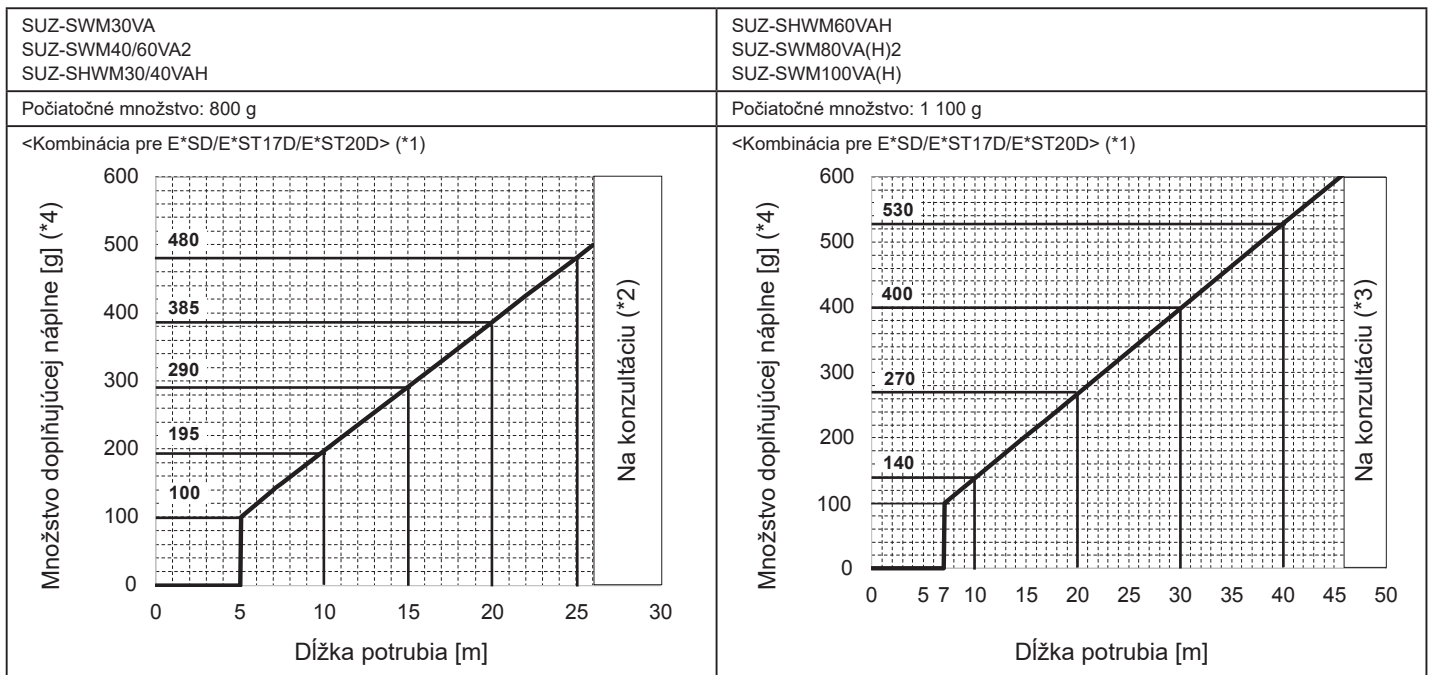
Fig. 5-1

### 5.1. Chladivové potrubie (Fig. 5-1)

► Skontrolujte, či sú rozdiely medzi výškou interiérovej a exteriérovej jednotky, dĺžka chladivového potrubia a počet ohybov potrubia v limitoch uvedených nižšie.

Modely	(A) Dĺžka potrubia (jedným smerom)	(B) Výškový rozdiel	(C) Počet ohybov (jedným smerom)
SUZ-SWM30VA	2 m - 26 m	Max. 26 m	Max. 10
SUZ-SHWM30VAH			
SUZ-SWM40VA2			
SUZ-SHWM40VAH			
SUZ-SWM60VA2	2 m - 46 m	Max. 30 m	
SUZ-SHWM60VAH			
SUZ-SWM80VA(H)2			
SUZ-SWM100VA(H)			

• Obmedzenie výškového rozdielu je záväzná nezávisle od toho, ktorá jednotka (interiérová alebo exteriérová) je umiestnená vyššie.



\*1. V prípade pripojenia k E\*ST30D VŽDY pripočítajte ďalších 50 g k doplňujúcej náplni uvedenej v grafoch.

\*2. Ak má potrubie dĺžku viac ako 26 m, obráťte sa na nášho odborníka.

\*3. Ak má potrubie dĺžku viac ako 46 m, obráťte sa na nášho odborníka.

\*4. V prípade úplného doplnenia; počiatkové množstvo + množstvo doplňujúcej náplne

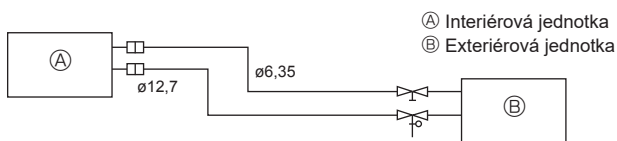


Fig. 5-2

(1) Nasledujúca tabuľka uvádza špecifikácie komerčne dostupných potrubí. (Fig. 5-2)

Model	Potrubie	Vonkajší priemer		Min. hrúbka steny	Hrúbka izolácie	Izolačný materiál
		mm	palce			
Všetky modely	Pre kvapalinu	6,35	1/4	0,8 mm	8 mm	Tepelne odolný penový plast s memnou hmotnosťou 0,045
	Pre plyn	12,7	1/2	0,8 mm	8 mm	

(2) Uistite sa, že sú 2 chladivové potrubia dobre izolované, aby sa zabránilo kondenzácii.

(3) Polomer ohybu chladivového potrubia musí byť najmenej 100 mm.



### UPOZORNENIE:

Použitie dôkladnú izoláciu s určenou hrúbkou. Nadmerná hrúbka zabraňuje uloženiu za interiérovou jednotkou a menšia hrúbka spôsobuje kvapkanie.

- Dbajte na riadne vetranie, aby nedošlo k vznieteniu. Taktiež vykonajte potrebné protipožiarné opatrenia a zabezpečte, aby sa v okolí nenachádzali žiadne nebezpečné ani horľavé predmety.
- Dopĺňanie chladiva R32 pri údržbe: Aby sa predišlo riziku výbuchu spôsobenému iskrením, pred doplnením chladiva R32 do zariadenia pri servise treba zabezpečiť, aby zariadenie bolo úplne odpojené od napájania.
- Izolačné materiály by mali spĺňať nasledujúce ŠPECIFIKÁCIE.
  - (1) Súčiniteľ tepelnej vodivosti: 0,040 W/mK alebo menej
  - (2) Hrúbka izolácie: 9 mm alebo viac
  - (3) Tepelná odolnosť: 110 °C alebo viac
 Ak je dĺžka vonkajšieho potrubia viac ako 15 m, izolácia by mala mať hrúbku 18 mm alebo viac.

## 5. Inštalácia chladivového potrubia

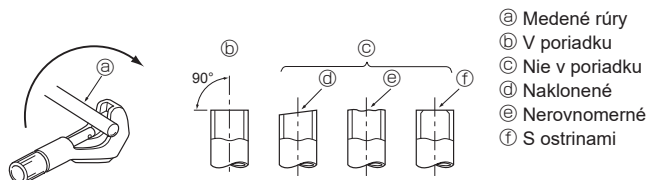


Fig. 5-3

- Ⓐ Medené rúry
- Ⓑ V poriadku
- Ⓒ Nie v poriadku
- Ⓓ Naklonené
- Ⓔ Nerovnomerné
- Ⓕ S ostrinami

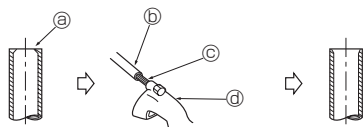


Fig. 5-4

- Ⓐ Ostrina
- Ⓑ Medené potrubie/rúra
- Ⓒ Náhradný výstružník
- Ⓓ Rezačka potrubí

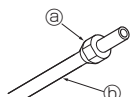


Fig. 5-5

- Ⓐ Prevlečná matica
- Ⓑ Medená rúra

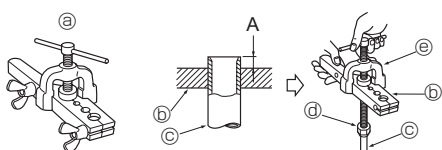


Fig. 5-6

- Ⓐ Pertlovačka
- Ⓑ Doska
- Ⓒ Medená rúra
- Ⓓ Prevlečná matica
- Ⓔ Vidlica

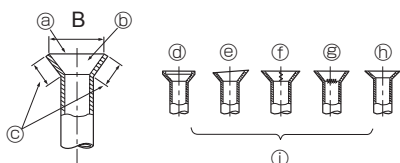


Fig. 5-7

### 5.2. Pertlovanie

- Hlavnou príčinou úniku plynu je chyba v pertlovaní.
- Vykonať správny postup pertlovania prostredníctvom nasledujúceho postupu.

#### 5.2.1. Rezanie potrubia (Fig. 5-3)

- Pomocou rezačky potrubí správne odrežte medené potrubie.

#### 5.2.2. Odstránenie ostrín (Fig. 5-4)

- Z odrezaného prierezu potrubia/rúry dôkladne odstráňte všetky ostriny.
- Pri odstraňovaní ostrých hrán nastavte koniec medeného potrubia/rúry smerom nadol, aby ostriny nepadali do potrubia.

#### 5.2.3. Nasadenie matice (Fig. 5-5)

- Odmontujte prevlečné matice z interiérovej aj exteriérovej jednotky a po odstránení ostrých hrán ich nasadte na potrubie/rúru.
- (Po pertlovaní ich už nie je možné nasadiť.)

#### 5.2.4. Pertlovanie (Fig. 5-6)

- Vykonať pertlovanie pomocou pertlovačky, ako je znázornené vľavo.

Priemer potrubia (mm)	Rozmer	
	A (mm)	B <sup>+0,4</sup> (mm)
	Keď sa používa nástroj pre verziu R32	
	Typ so spojku	
6,35	0 – 0,5	9,1
9,52	0 – 0,5	13,2
12,7	0 – 0,5	16,6
15,88	0 – 0,5	19,7

Pevne uchopte medené potrubie na doske s rozmerom podľa tabuľky vyššie.

#### 5.2.5. Pozrite si (Fig. 5-7)

- Porovnajte pertlovanie s obrázkom naľavo.
- Ak je pertlovaný koniec chybný, odrežte ho a vykonajte pertlovanie znova.

- Ⓐ Hladké po celom obvode
- Ⓑ Vnútro sa leskne a je bez škrabancov
- Ⓒ Rovnaká dĺžka po celom obvode
- Ⓓ Príliš
- Ⓔ Naklonené
- Ⓕ Škrabancov na pertlovej rovine
- Ⓖ Popraskané
- Ⓗ Nerovnomerné
- Ⓘ Nesprávne príklady

- Na dosadacie plochy potrubí naneste tenkú vrstvu chladiaceho oleja. (Fig. 5-8)
- Pri pripájaní najprv zarovnajte stred a potom dotiahnite prevlečnú maticu o 3 až 4 otáčky.
- Pri upevňovaní zväzku spojov na strane interiérovej jednotky použite uťahovací moment podľa tabuľky nižšie a dotiahnite pomocou dvoch kľúčov. Nadmerným utiahnutím sa poškodí rozšírená časť.

Vonk. priemer medeného potrubia (mm)	Vonk. priemer prevlečnej matice (mm)	Uťahovací moment (Nm)
ø6,35	17	14 – 18
ø9,52	22	34 – 42
ø12,7	26	49 – 61
ø15,88	29	68 – 82

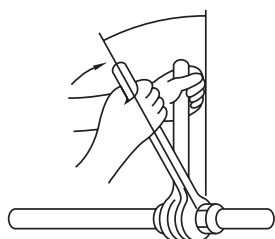


Fig. 5-8

### ! VÝSTRAHA:

Pri inštalácii zariadenia pred spustením kompresora dôkladne spojte chladivé potrubie.

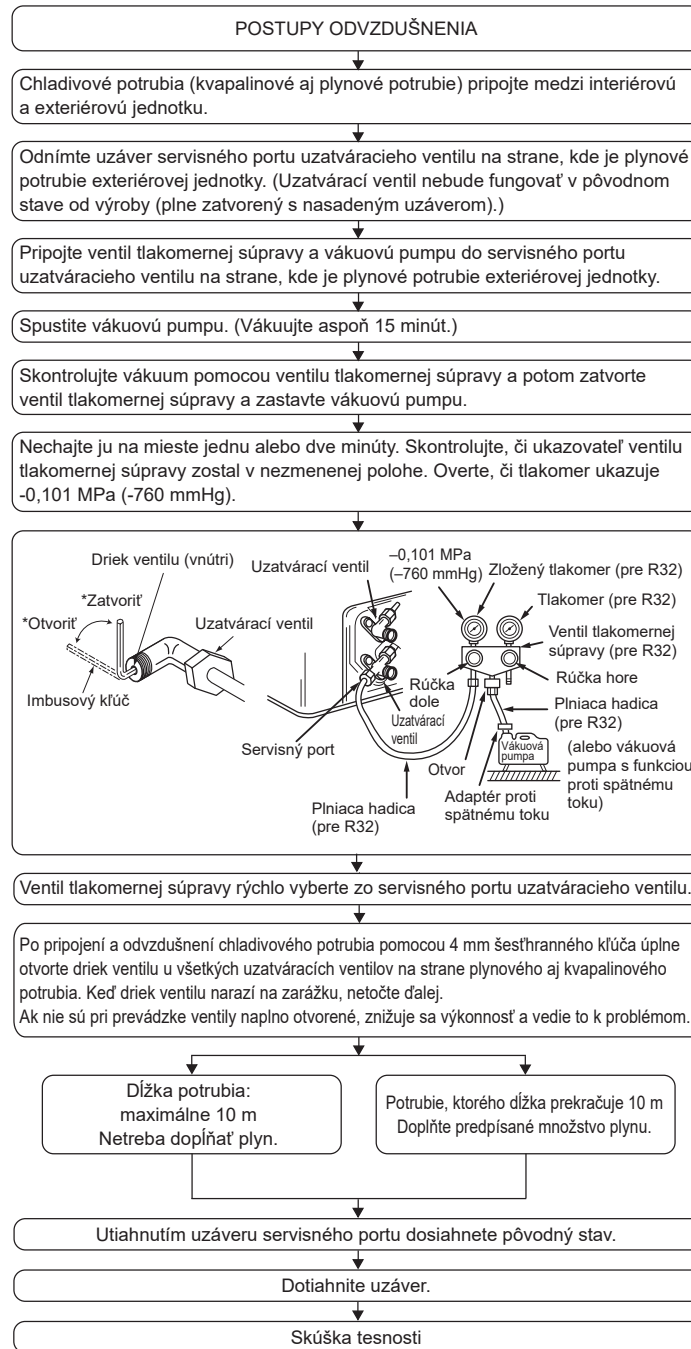
### ! VÝSTRAHA:

Dávajte pozor, prevlečná matica môže vystreliť! (vplyvom vnútorného tlaku)

- Prevlečnú maticu odmontujte nasledovne:
1. Uvoľnite maticu tak, aby bolo počuť syčanie.
  2. Maticu neodstraňujte, až kým sa tlak plynu celkom neuvoľní (t. j. syčanie prestane).
  3. Skontrolujte, či sa vypustil všetok plyn, a potom odstráňte maticu.

## 5. Inštalácia chladivového potrubia

### 5.3. Postupy odvzdušnenia a skúška tesnosti





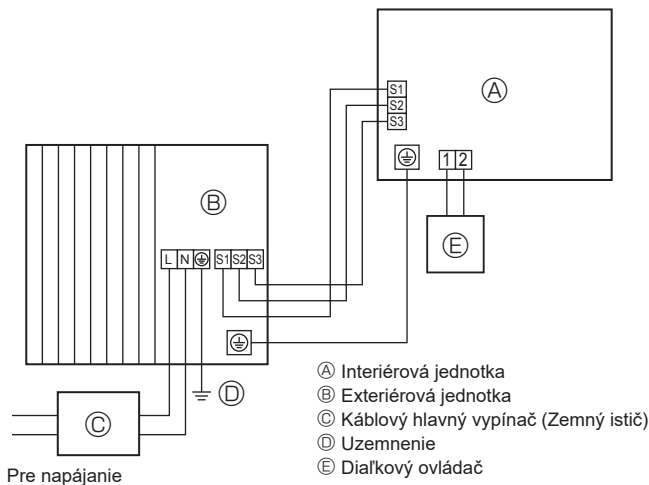
## 6. Elektrické zapojenie

### 6.1. Exteriérová jednotka (Fig. 6-1, Fig. 6-2, Fig. 6-3)

① Zložte servisný panel.

② Zapojte káble podľa Fig. 6-1, Fig. 6-2 a Fig. 6-3.

■ SUZ-SHWM60VAH, SUZ-SWM80VA(H)2, SUZ-SWM100VA(H)



■ SUZ-SHWM30/40VAH, SUZ-SWM30VA, SUZ-SWM40/60VA2

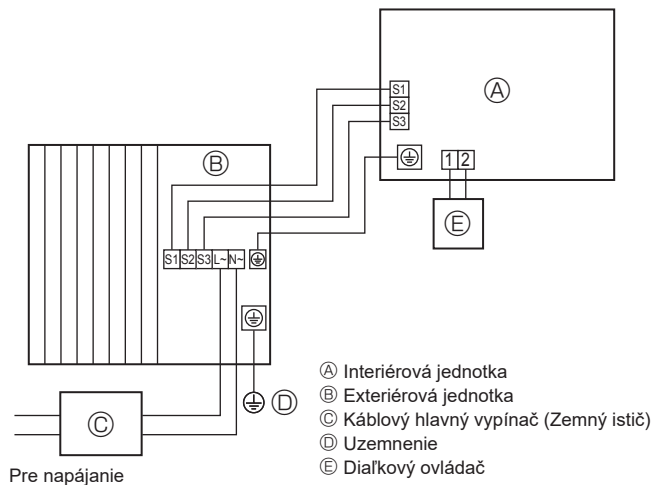


Fig. 6-1

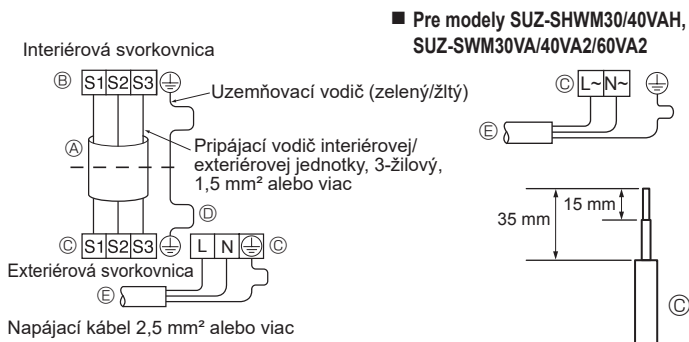
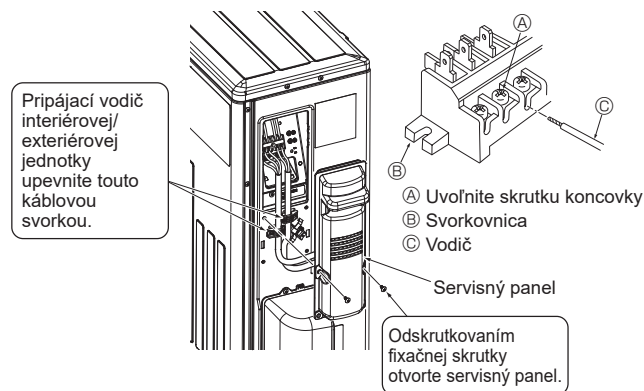


Fig. 6-2

■ SUZ-SWM30VA, SUZ-SWM40VA2, SUZ-SWM60VA2, SUZ-SHWM30VAH, SUZ-SHWM40VAH



■ SUZ-SWM80VA2, SUZ-SWM100VA, SUZ-SWM80VAH2, SUZ-SWM100VAH, SUZ-SHWM60VAH

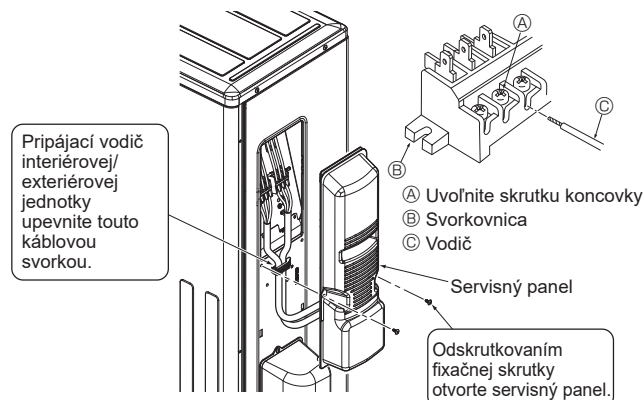


Fig. 6-3

• Vykonaajte zapojenie podľa obrázka vľavo dole. (Káble si zabezpečte lokálne.) (Fig. 6-2)

Používajte výhradne káble so správnou polaritou.

- Ⓐ Prepojovací kábel
- Ⓑ Interiérová svorkovnica
- Ⓒ Exteriérová svorkovnica
- Ⓓ Vždy nainštalujte uzemňovací kábel dlhší ako ostatné káble.
- Ⓔ Napájací kábel
- Ⓕ Vodič

- Uzemňovací vodič musí byť o niečo dlhší ako ostatné. (Viac ako 100 mm)
- Pripájacie vodiče nechajte o niečo dlhšie pre potreby servisu v budúcnosti.
- Pri pripájaní kábla a vodičov do svorkovnice dbajte na pripojenie každej skrutky k správnej svorke.

- Kábel z interiérovej jednotky pripojte správne k svorkovnici.
- Použite rovnakú svorkovnicu a polaritu ako pri použití s interiérovou jednotkou.
- Pre následnú údržbu použite kábel s dostatočnou rezervou.

- Oba konce prepojovacieho kábla (predlžovací vodič) sú odizolované. Ak sú príliš dlhé alebo pripojené prerušením v strede, odizolujte napájací kábel podľa údajov na obrázku.
- Dávajte pozor, aby neprišlo ku kontaktu prepájacieho kábla s potrubím.

### ⚠ UPOZORNENIE:

- Dávajte pozor, aby neprišlo k nesprávnemu zapojeniu.
- Skrutky koncoviek pevne dotiahnite, aby sa neuvoľnili.
- Po dotiahnutí vodiče jemne potiahnite a skontrolujte, či sa nepohybujú.

### ⚠ VÝSTRAHA:

- Servisný panel exteriérovej jednotky bezpečne pripevnite. Ak nie je pripojený správne, mohlo by dôjsť k požiaru, zásahu elektrickým prúdom v dôsledku prachu, vody atď.
- Skrutky koncoviek bezpečne zatiahnite.
- Káble by mali byť zapojené tak, aby elektrické vedenie nebolo napnuté. V opačnom prípade by mohlo dôjsť k zahrievaniu alebo požiaru.

## 6. Elektrické zapojenie

### 6.2. Elektrické zapojenie na mieste inštalácie

Model exteriérovej jednotky	SUZ-SHWM30VAH/40VAH SUZ-SWM30VA/40VA2/60VA2	SUZ-SHWM60VAH SUZ-SWM80VA(H)2/SWM100VA(H)
Napájanie exteriérovej jednotky	~N (1 fáza), 50 Hz, 230 V	~N (1 fáza), 50 Hz, 230 V
Vstupná kapacita hlavného vypínača exteriérovej jednotky (istič)	*1 16 A	20 A
Vodič Počet × prierez (mm <sup>2</sup> )	Napájanie exteriérovej jednotky	2 × min. 2,5
	Uzemnenie napájania exteriérovej jednotky	1 × min. 2,5
	Interiérová jednotka – exteriérová jednotka	3 × 1,5 (s pólmí)
	Interiérová jednotka - exteriérová jednotka uzemnenie	1 × min. 1,5
Menovité hodnoty obvodu	Exteriérová jednotka L-N *2	230 V str.
	Interiérová jednotka – exteriérová jednotka S1 – S2 *2	230 V str.
	Interiérová jednotka – exteriérová jednotka S2 – S3 *2	12 V js. – 24 V js.

\*1. Je potrebné zabezpečiť vypínač so vzdialenosťou kontaktov aspoň 3 mm na oboch póloch. Použite zemný istič (NV)

Zabezpečte, aby bol prúdový chránič kompatibilný s vyššími harmonickými.

Keďže jednotka je vybavená invertorom, vždy použite prúdový chránič, ktorý je kompatibilný s vyššími harmonickými.

Použitie nevhodného ističa môže spôsobiť nesprávnu prevádzku invertora.

\*2. Čísla NEPREDSTAVUJÚ vždy hodnotu oproti zemi.

Medzi svorkami S3 a S2 je napätie 24 V js. Pokiaľ však ide o napätie medzi svorkami S3 a S1, tieto svorky NIE SÚ elektricky izolované transformátorom ani iným zariadením.

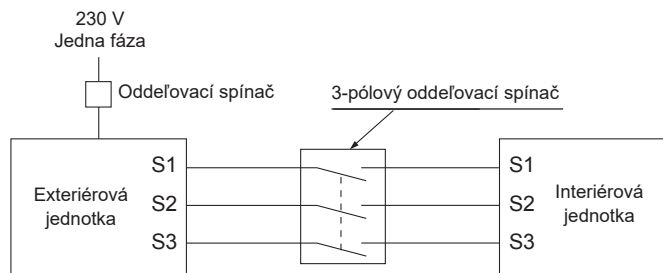
**Poznámky:** 1. Prierezy káblov musia vyhovovať platným miestnym a vnútroštátnym predpisom.

2. Napájacie káble a prepojovacie káble medzi interiérovou a exteriérovou jednotkou nesmú byť ľahšie ako zapuzdrený pružný polychlóprénový kábel. (Dizajn 60245 IEC 57)

3. Nainštalujte uzemňovací kábel dlhší ako ostatné káble.

4. Na prívod napájania použite samozhášavé káble.

5. Kabeláž vedte takým spôsobom, aby sa nedotýkala hrany plechu alebo hrotu skrutky.



### ⚠ VÝSTRAHA:

Na svorke S3 je vysoký napät'ový potenciál spôsobený konštrukciou elektrického obvodu, ktorý nemá elektrickú izoláciu medzi elektrickým vedením a komunikačným signálnym vedením. Pri servise preto vypnite hlavné napájanie. Ak je zapnuté napájanie, nedotýkajte sa svoriek S1, S2 a S3. Ak by sa medzi interiérovou a exteriérovou jednotkou mal použiť oddeľovací spínač, použite typ s 3 pólmí.

Napájací kábel ani prepojovací kábel medzi interiérovou a exteriérovou jednotkou nikdy nenadpájajte, mohlo by dôjsť k dymeniu, požiaru alebo poruche spojenia.

Prepájacie káble medzi interiérovou a exteriérovou jednotkou pripojte priamo k jednotkám (bez pomocných prepojení).

Pomocné prepojenia môžu viesť ku komunikačným chybám, keď voda vnikne do káblov a spôsobí nedostatočnú izoláciu voči zemi alebo slabý elektrický kontakt na mieste pomocného prepojenia.

## 7. Údržba

### 7.1. Dopĺňanie plynu (Fig. 7-1)

1. Pripojte plynovú fľašu k servisnému portu uzatváracieho ventilu (3-cestnému).
2. Odvzdušnite potrubie (alebo hadicu) od fľaše s chladiacim plynom.
3. Počas prevádzky tepelného čerpadla vzduch-voda v režime chladenia doplňte stanovené množstvo chladiva.

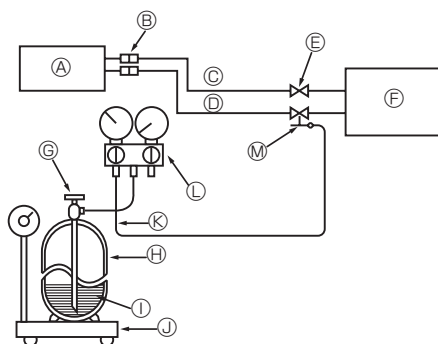
**Poznámka:**

Pri pridávaní chladiva dodržte množstvo stanovené pre chladiaci cyklus.

### ⚠ UPOZORNENIE:

- Nevypúšťajte chladivo do ovzdušia. Dávajte pozor, aby počas inštalácie, opakovanej inštalácie alebo opravy chladiaceho obvodu nedošlo k vypusteniu chladiva do ovzdušia.
- Pri ďalšom dopĺňaní doplňte chladivo z kvapalnej fázy plynovej fľaše. Ak chladivo doplníte z plynnej fázy, v chladive vnútri fľaše a vonkajšej jednotke môže dôjsť k zmene zloženia. V takomto prípade sa zníži schopnosť chladiaceho cyklu alebo nebude možná normálna prevádzka. Doplnenie kvapalinového chladiva naraz však môže spôsobiť zablokovanie kompresora. Chladivo preto doplňajte pomaly.

Aby ste počas zimného obdobia udržali v plynovej fľaši vysoký tlak, ohrejte ju teplou vodou (do 40 °C). Nikdy nepoužívajte otvorený oheň ani paru.



- |   |  |
|---|--|
| (A) Interiérová jednotka                      | (H) Fľaša s chladiacim plynom R32 so sífonom |
| (B) Spojka                                    | (I) Chladivo (kvapalné)                      |
| (C) Kvapalinové potrubie                      | (J) Elektronická váha na dopĺňanie chladiva  |
| (D) Plynové potrubie                          | (K) Plniaca hadica (pre R32)                 |
| (E) Uzatvárací ventil                         | (L) Ventil tlakomernej súpravy (pre R32)     |
| (F) Exteriérová jednotka                      | (M) Servisný port                            |
| (G) Ovládaci ventil fľaše s chladiacim plynom |  |

Fig. 7-1

## 8. Inštalácia vodného potrubia

### 8.1. Minimálne množstvo vody

Postupujte podľa návodu na inštaláciu interiérovej jednotky.

### 8.2. Dostupný rozsah (prietok vody, teplota vody pri návrate)

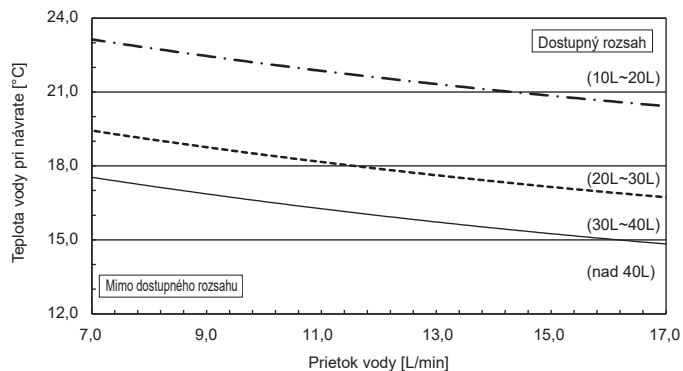
Vo vodnom okruhu zabezpečte nasledujúci prietok vody a rozsah teploty pri návrate.

Tieto krivky závisia od množstva vody.

#### ■ Kúrenie

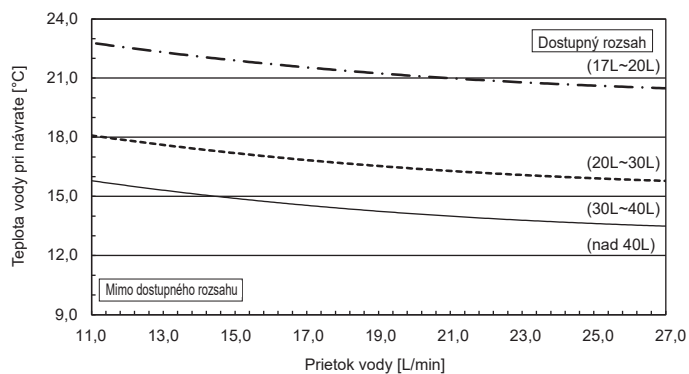
SUZ-SWM30VA SUZ-SHWM30VAH  
SUZ-SWM40VA2 SUZ-SHWM40VAH  
SUZ-SWM60VA2

Minimálna teplota vody pri návrate podľa množstva vody v systéme



SUZ-SWM80VA(H)2  
SUZ-SWM100VA(H)  
SUZ-SHWM60VAH

Minimálna teplota vody pri návrate podľa množstva vody v systéme



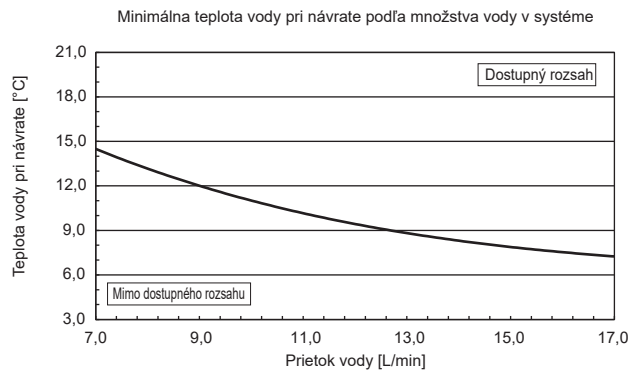
#### Poznámka:

- Pri rozmrazovaní dbajte, aby ste sa nedostali mimo dostupného rozsahu. V opačnom prípade sa exteriérová jednotka nebude rozmrazovať dostatočne a výmenník tepla v interiérovej jednotke môže zamrznúť.
- Keď vonkajšia teplota klesne pod  $-15^{\circ}\text{C}$ , teplota prietoku nikdy NESMIE byť nižšia ako  $32^{\circ}\text{C}$ . Potenciálne riziko zamrznutia a poškodenia doskového výmenníka tepla. Taktiež by došlo k zamrznutiu vonkajšieho výmenníka tepla v dôsledku nedostatočného odmrazovania.

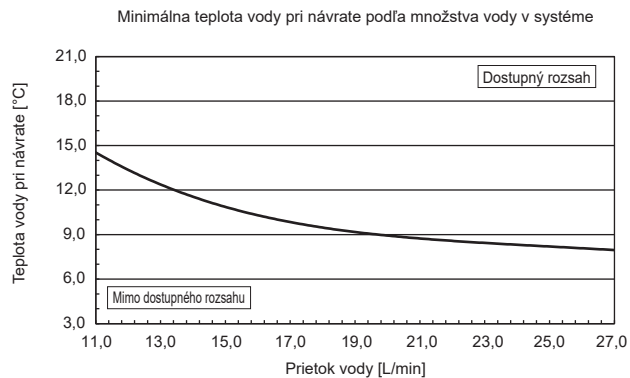
## 8. Inštalácia vodného potrubia

### ■ Chladienie

SUZ-SWM30VA    SUZ-SHWM30VAH  
SUZ-SWM40VA2    SUZ-SHWM40VAH  
SUZ-SWM60VA2



SUZ-SWM80VA(H)2  
SUZ-SWM100VA(H)  
SUZ-SHWM60VAH



#### Poznámka:

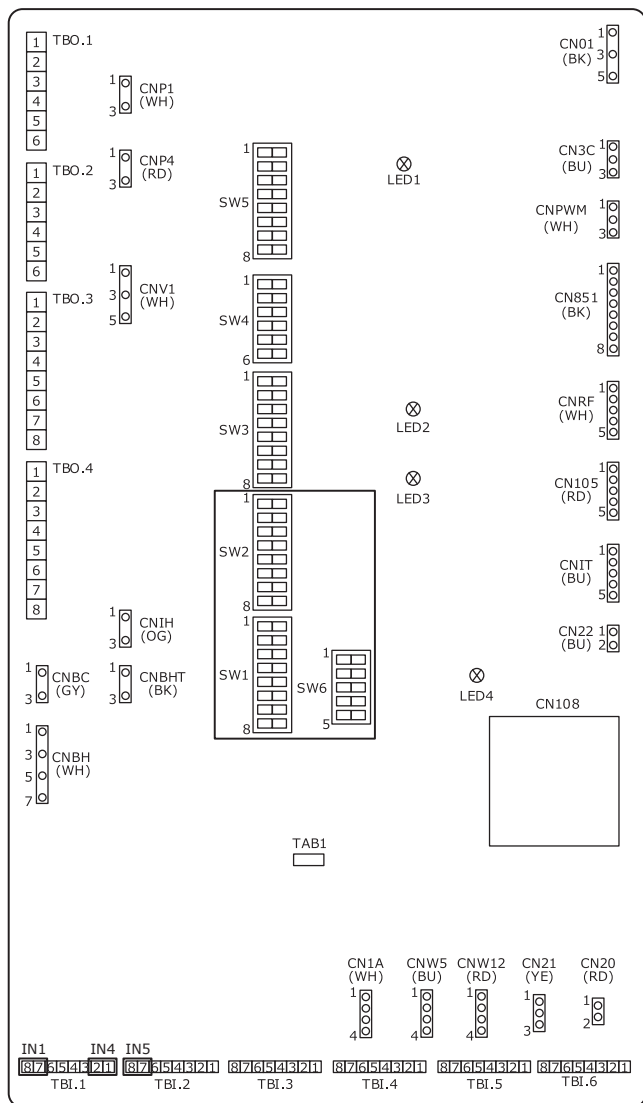
Pri rozmrazovaní dbajte, aby ste sa nedostali mimo dostupného rozsahu.

V opačnom prípade sa exteriérová jednotka nebude rozmrazovať dostatočne a výmenník tepla v interiérovej jednotke môže zamrznúť.

## 9. Odčerpanie

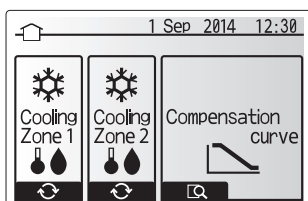
Pri premiestňovaní alebo likvidácii exteriérovej jednotky odčerpajte chladivo zo systému podľa ďalej uvedeného postupu, aby sa žiadne chladivo nedostalo do atmosféry.

- ① Vypnite celý napájací obvod (vrátane interiérovej jednotky, ohrievača, exteriérovej jednotky atď.)
- ② Pripojte ventil tlakomernej súpravy do servisného portu uzatváracieho ventilu na strane, kde je plynové potrubie exteriérovej jednotky.
- ③ Uzatvárací ventil na strane, kde je kvapalinové potrubie exteriérovej jednotky, úplne zavrite.
- ④ Zmeňte nastavenia na interiérovej jednotke.
  - Na interiérovej radiacej doske nastavte prepínač DIP SW1-3 na OFF (Vyp.), SW2-1 na OFF (Vyp.), SW2-4 na ON (Zap.) a SW6-3 na OFF (Vyp.).
  - Odpojte signálové vstupy IN1 (vstup izbového termostatu 1), IN4 (vstup riadenia spotreby) a IN5 (vstup vonkajšieho termostatu).



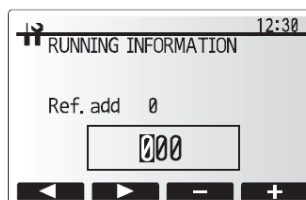
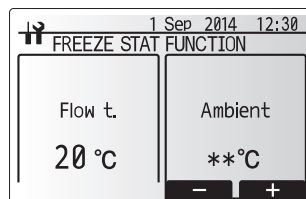
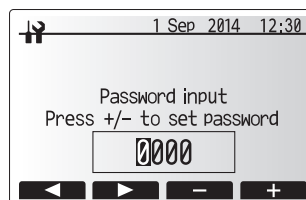
⑤ Zapnite celý napájací obvod.

- ⑥ V hlavnej ponuke na hlavnom ovládači interiérovej jednotky vyberte „Heating/cooling mode“ (Režim ohrevu/chladenia) → „Cooling flow temp.“ (Tepl. chladiaceho toku).



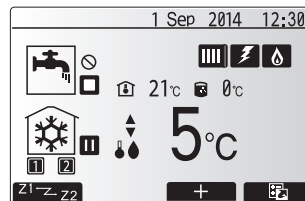
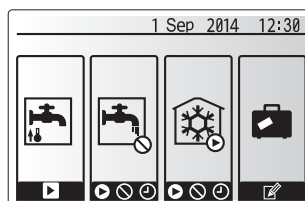
- ⑦ V hlavnej ponuke vyberte „Service“ (Servis) a zmeňte nastavenie podľa ďalej uvedených údajov. Zobrazí sa výzva na zadanie hesla. OD VÝROBY JE NASTAVENÉ HESLO „0000“.

- Vyberte „Operation settings“ (Prevádzkové nastavenia) → „Freeze stat function“ (Funkcia stavu mrznutia) a potom nastavte minimálnu vonkajšiu teplotu okolia na \*(hviezdička).
- Vyberte „Running information“ (Údaje o spúšťaní) a nastavte referenčnú adresu 351.



- ⑧ Vykonaajte zber chladiva.

- Stlačte tlačidlo „ON/OFF“ (Zap./Vyp.) na hlavnom ovládači.
- V ponuke možností nastavte „Cooling ON“ (Chladienie Zap.).
- Nastavte teplotu cieľového toku na 5 °C. Ak je systém ovládaný termostatom izbovej teploty, nastavte cieľovú izbovú teplotu na 10 °C.
- Zber chladiva sa spustí po 60 sekundách.
- Podrobnosti alebo ďalšie informácie o nastaveniach hlavného ovládača nájdete v návode na inštaláciu alebo návode na obsluhu interiérovej jednotky.



Pokračovanie na ďalšej strane.

## 9. Odčerpávanie

- ⑨ Keď tlakomer ukáže hodnotu 0,05 až 0 MPa [namerané] (cca 0,5 až 0 kgf/cm<sup>2</sup>), uzatvárací ventil na strane, kde je plynové potrubie exteriérovej jednotky, zavrite úplne, a exteriérovú jednotku rýchlo zastavte.
- Exteriérovú jednotku zastavte stlačením tlačidla „ON/OFF“ (Zap./Vyp.) na diaľkovom ovládači.
  - \* Pripomíname, že pri použití veľmi dlhého predĺžovacieho potrubia s veľkým množstvom chladiva sa operácia odčerpávanie nemusí dať vykonať. V takomto prípade použite na zhromaždenie všetkého chladiva v systéme vybavenie na opätovné získanie chladiva.
- ⑩ Nastavte späť nastavenie hlavného ovládača, zmenené pri postupe ⑧ vyššie.
- ⑪ Interiérovú jednotku zastavte stlačením tlačidla „ON/OFF“ (Zap./Vyp.) na hlavnom ovládači interiérovej jednotky približne na 3 sekundy.
- ⑫ Nastavte späť nastavenia hlavného ovládača, zmenené pri akomkoľvek inom postupe než ⑧.
- \* Ako nastaviť späť položku „Running information“ (Údaje o spúšťaní): Nastavte referenčnú adresu 350.
- ⑬ Vypnite celý napájací obvod a nastavte späť nastavenia prepínača DIP na interiérovej obvodovej doske tak, ako boli.
- ⑭ Odstráňte ventil tlakomerovej súpravy a potom odpojte chladivové potrubia.



### VÝSTRAHA:

Ak v chladiacom obvode dochádza k úniku, **NEODČERPÁVAJTE** pomocou kompresora.

Pri pumpovaní chladiva pred rozpojením chladivového potrubia zastavte kompresor.

- Ak sú chladivové potrubia odpojené, keď je kompresor v prevádzke a uzatvárací (guľový) ventil je otvorený, tlak v chladiacom cykle by pri nasatí vzduchu mohol vzrásť na veľmi vysokú hodnotu a spôsobiť roztrhnutie potrubia, zranenie osôb a pod.



### UPOZORNENIE:

**NEPOUŽÍVAJTE** tento režim **CHLADENIA** pri pripájaní k interiérovej jednotke, ktorá nepovoľuje režim **CHLADENIA** pre žiadny iný účel než odčerpávanie.

## 10. Špecifikácie

Exteriérový model		SUZ-SWM30VA	SUZ-SHWM30VAH	SUZ-SWM40VA2	SUZ-SHWM40VAH	SUZ-SWM60VA2
Napájanie	V / Fáza / Hz	230 / Jedna / 50				
Rozmery (Š × V × H)	mm	800 × 714 × 285				
Úroveň hlasitosti zvuku (Ohrev)	*1 dB(A)	57	57	57	58	60
	*2 dB(A)	54	54	54	55	56

Exteriérový model		SUZ-SHWM60VAH	SUZ-SWM80VA(H)2	SUZ-SWM100VA(H)
Napájanie	V / Fáza / Hz	230 / Jedna / 50		
Rozmery (Š × V × H)	mm	840 × 880 × 330		
Úroveň hlasitosti zvuku (Ohrev)	*1 dB(A)	60	60	62
	*2 dB(A)	58	59	60

\*1. Merané pri menovitej prevádzkovej frekvencii, pri teplote okolia 7 °C (suchý teplomer)/6 °C (mokrý teplomer) a pri teplote vody na výstupe 55 °C.

\*2. Merané v súlade s normou EN12102 za podmienok podľa normy EN14825.

EU DECLARATION OF CONFORMITY  
EU-KONFORMITÄTSEKTLÄRUNG  
DÉCLARATION DE CONFORMITÉ UE  
EU-CONFORMITEITSVERKLARING  
DECLARACIÓN DE CONFORMIDAD UE  
DICHIARAZIONE DI CONFORMITÀ UE  
ΔΗΛΩΣΗ ΣΥΜΜΟΡΦΩΣΗΣ ΕΕ  
DECLARAÇÃO DE CONFORMIDADE UE  
EU-OVERENSSTEMMELSESEKTLÆRING

EG-DEKLARATION OM ÖVERENSSTÄMMELSE  
AV UYGUNLUK BEYAN  
ДЕКЛАРАЦИЯ СООТВЕТСТВИЯ НОРМАМ ЕС  
ДЕКЛАРАЦІЯ ВІДПОВІДНОСТІ ВИМОГАМ ЄС  
ЕС ДЕКЛАРАЦІЯ ЗА СЪОТВЕТСТВИЕ  
DEKLARACJA ZGODNOŚCI UE  
EU-ERKLÆRING OM SAMSVAR  
EU-VAATIMUSTENMUKAISUUSVAKUUTUS  
EU PROHLÁŠENÍ O SHODĚ

EÚ VYHLÁSENIE O ZHODE  
EU MEGFELELŐSÉGI NYILATKOZAT  
IZJAVA EU O SKLADNOSTI  
DECLARAȚIE DE CONFORMITATE UE  
EL-I VASTAVUSDEKLARATSIOON  
ES ATBILSTĪBAS DEKLARĀCIJA  
ES ATITIKTIES DEKLARĀCIJA  
EU IZJAVA O SUKLADNOSTI  
EU IZJAVA O USAGLAŠENOSTI

**MITSUBISHI ELECTRIC CONSUMER PRODUCTS (THAILAND) CO., LTD**  
**700/406 MOO 7, TAMBON DON HUA ROH, AMPHUR MUANG, CHONBURI 20000, THAILAND**

hereby declares under its sole responsibility that the air conditioner(s) and heat pump(s) for use in residential, commercial, and light-industrial environments described below:  
erklärt hiermit auf seine alleinige Verantwortung, dass die Klimaanlage(n) und Wärmepumpe(n) für das häusliche, kommerzielle und leichtindustrielle Umfeld wie unten beschrieben:  
déclare par la présente et sous sa propre responsabilité que le(s) climatiseur(s) et la/les pompe(s) à chaleur destinés à un usage dans des environnements résidentiels, commerciaux et d'industrie légère décrits ci-dessous :  
verklaart hierbij onder eigen verantwoordelijkheid dat de voor huishoudelijke, handels- en lichtindustriële omgevingen bestemde airconditioner(s) en warmtepomp(en) zoals onderstaand beschreven:

por la presente declara, bajo su exclusiva responsabilidad, que el(los) acondicionador(es) de aire y la(s) bomba(s) de calor previsto(s) para su uso en entornos residenciales, comerciales y de industria ligera que se describen a continuación:

conferma con la presente, sotto la sua esclusiva responsabilità, che i condizionatori d'aria e le pompe di calore destinati all'utilizzo in ambienti residenziali, commerciali e semi-industriali e descritti di seguito:

με το παρόν δηλώνει με αποκλειστική ευθύνη ότι το ή τα κλιματιστικά και η ή οι αντλίες θερμότητας για χρήση σε οικιακά, εμπορικά και επαγγελματικά περιβάλλοντα που περιγράφονται παρακάτω:

declara pela presente, e sob sua exclusiva responsabilidade, que o(s) aparelho(s) de ar condicionado e a(s) bomba(s) de calor destinados a utilização em ambientes residenciais, comerciais e de indústria ligeira descritos em seguida:

erklærer hermed under eneansvar, at det/de herunder beskrevne airconditionanlæg og varmepumpe(r) til brug i beboelses- og erhvervs miljøer samt i miljøer med let industri:

intyggar härmed att luftkonditioneringarna och värmepumparna som beskrivs nedan för användning i bostäder, kommersiella miljöer och lätta industriella miljöer:

ev, ticaret ve hafif sanayi ortamlarında kullanıma yönelik aşağıda açıklanan klima ve ısıtma pompalarıyla ilgili aşağıdaki hususları yalnızca kendi sorumluluğunda olmak üzere beyan eder:

настоящим заявляет под свою исключительную ответственность, что кондиционер (-ы) и тепловой (-ые) насос (-ы) для использования в описанных ниже жилых, коммерческих и небольших складских и промышленных помещениях:

цим заявляю, беручи на себе повну відповідальність за це, що кондиціонер (-и) й тепловий (-и) насос (-и), описані нижче й призначені для використання в житлових приміщеннях, торговельних залах і на підприємствах легкої промисловості:

декларира с настоящата на своя собствена отговорност, че климатикъ(т)е и термомпата(ите), посочени по-долу и предназначени за употреба в жилищни, търговски и лекопромишлени среди:

niniejszym oświadczam na swoją wyłączną odpowiedzialność, że klimatyzatory i pompy ciepła do zastosowań w środowisku mieszkalnym, handlowym i lekko przemysłowym opisane poniżej:

erklærer et fullstendig ansvar for undernevnte klimaapparat og varmepumper ved bruk i boliger, samt kommersielle og lettindustrielle miljøer:

vakuuttaa täten yksinomaista vastuutaan, että jäljempänä kuvutat asuinrakennuksiin, pienteeollisuuskäyttöön ja kaupalliseen käyttöön tarkoitettuihin ilmastointilaitteisiin ja lämpöpumput:

tímto na vlastní odpovědnost prohlašuje, že níže popsané klimatizační jednotky a tepelná čerpadla pro použití v obytných prostředích, komerčních prostředích a prostředích lehkého průmyslu:

týmto na svoju výlučnú zodpovednosť vyhlasuje, že nasledovné klimatizačné jednotky a tepelné čerpadlá určené na používanie v obytných a obchodných priestoroch a v prostredí ľahkého priemyslu:

alulírott kizárólagos felelősségére nyilatkozik, hogy az alábbi lakossági, kereskedelmi és kisipari környezetben való használatra szánt klímaberendezés(ek) és hőszivattyú(k):

na lastno odgovornost izjavlja, da so spodaj opisane klimatske naprave in toplotne črpalke, namenjene za uporabo v stanovanjskih, poslovnih in lahkoindustrijskih okoljih:

declară prin prezenta, pe proprie răspundere, faptul că aparatele de climatizare și pompele de căldură descrise mai jos și destinate utilizării în medii rezidențiale, comerciale și din industria ușoară:

kinnitab oma ainuvastutusest, et allpool toodud elu-, äri- ja kergtööstuskeskkondades kasutamiseks mõeldud kliimaseadmed ja soojuspumbad:

ar šo, vienpersoniski uzņemoties atbildību, paziņo, ka tālāk aprakstītais(-tie) gaisa kondicionētājs(-i) un siltumsūkņis(-i) ir paredzēti lietošanai dzīvojamajās, komercdarbības un vieglās rūpniecības telpās, kas aprakstītas tālāk:

šiuo vien tik savo atsakomybe pareiškia, kad toliau apibūdintas (-i) oro kondicionierius (-iai) ir šilumos siurblys (-iai), skirtas (-i) naudoti toliau apibūdintose gyvenamosiose, komercinėse ir lengvosios pramonės aplinkose:

ovime izjavljuje pod isključivom odgovornošću da je/su klimatizacijski uređaji(i) i toplinska dizalica(e) opisan(i) u nastavku namijenjen(i) za upotrebu u stambenim i poslovnim okruženjima te okruženjima lake industrije:

ovim izjavljuje na svoju isključivu odgovornost da su klima-uređaji i toplotne pumpe za upotrebu u stambenim, komercijalnim okruženjima i okruženjima lake industrije opisani u nastavku:

**MITSUBISHI ELECTRIC, SUZ-SWM30VA\*, SUZ-SWM40VA\*, SUZ-SWM60VA\*, SUZ-SWM80VA\*, SUZ-SWM100VA\***  
**SUZ-SHWM30VAH\*, SUZ-SHWM40VAH\*, SUZ-SHWM60VAH\*, SUZ-SWM80VAH\*, SUZ-SWM100VAH\***  
**\* : , , 1, 2, 3, , , , 9**

is/are in conformity with provisions of the following Union harmonisation legislation.  
die Bestimmungen der folgenden Harmonisierungsrechtsvorschriften der Union erfüllen/

erfüllen.  
est/sont conforme(s) aux dispositions de la législation d'harmonisation de l'Union

suivante.  
voldoet/voldoen aan bepalingen van de volgende harmonisatiewetgeving van de Unie.

cumple(n) con las disposiciones de la siguiente legislación de armonización de la Unión.

sono in conformità con le disposizioni della seguente normativa dell'Unione sull'armonizzazione.

συμμορφώνονται με τις διατάξεις της ακόλουθης νομοθεσίας εναρμόνισης της Ένωσης.

está/estão em conformidade com as disposições da seguinte legislação de harmonização da União.

er i overensstemmelse med bestemmelse i følgende harmoniserede EU-lovgivning.

uppfyller villkoren i följande harmoniserade föreskrifter inom unionen.

აşağıdaki Avrupa Birliği uyumlaştırma mevzuatının hükümlerine uygundur.

соответствуют положениям следующих законодательных актов Союза о гармонизации.

2014/35/EU: Low Voltage Directive  
2006/42/EC: Machinery Directive  
2014/30/EU: Electromagnetic Compatibility Directive  
2011/65/EU, (EU) 2015/863 and (EU) 2017/2102: RoHS Directive  
2009/125/EC: Energy-related Products Directive and Regulation (EU) No 813/2013

відповідають положенням вказаного далі законодавства Союзу щодо гармонізації.  
е/са в съответствие с разпоредбите на следното законодателство на Съюза за

армонизация.  
są zgodne z przepisami następującego unijnego prawodawstwa harmonizacyjnego.

er i samsvar med forskriftene til følgende EU-lovgivning om harmonisering.

ovat seuraavan unionin yhdenmukaistamislainsäädännön säännösten mukaisia.

jsou v souladu s ustanoveními následujících harmonizačních právních předpisů Unie.

spĺňajú ustanovenia nasledujúcich harmonizovaných noriem EÚ.

megfelel(nek) az Unió alábbi harmonizációs jogszabályi előírásainak.

in skladu z določbami naslednje usklajevalne zakonodaje Unije.

sunt în conformitate cu dispozițiile următoare legislații de armonizare a Uniunii.

vastavad järgmiste Euroopa Liidu ühtlustatud õigusaktide sätetele.

atbilst šādiem ES harmonizētājiem tiesību aktu noteikumiem.

taip pat atitinka kitų toliau išvardytų suderintųjų Sąjungos direktyvų nuostatas.

sukladan(i) odredbama sljedećeg zakonodavstva Unije za sukladnost.

u skladu sa odredbama sledećeg usklađivanja zakonodavstva Unije.

## <ENGLISH>

English is original. The other languages versions are translation of the original.

### ▲ CAUTION

- Refrigerant leakage may cause suffocation. Provide ventilation in accordance with EN378-1.
- Be sure to wrap insulation around the piping. Direct contact with the bare piping may result in burns or frostbite.
- Never put batteries in your mouth for any reason to avoid accidental ingestion.
- Battery ingestion may cause choking and/or poisoning.
- Install the unit on a rigid structure to prevent excessive operation sound or vibration.
- The A-weighted sound pressure level is below 70dB.
- This appliance is intended to be used by expert or trained users in shops, in light industry and on farms, or for commercial use by lay persons.

## <DEUTSCH>

Das Original ist in Englisch. Die anderen Sprachversionen sind vom Original übersetzt.

### ▲ VORSICHT

- Wenn Kältemittel austritt, kann dies zu Ersticken führen. Sorgen Sie in Übereinstimmung mit EN378-1 für Durchlüftung.
- Die Leitungen müssen isoliert werden. Direkter Kontakt mit nicht isolierten Leitungen kann zu Verbrennungen oder Erfrierungen führen.
- Nehmen Sie niemals Batterien in den Mund, um ein versehentliches Verschlucken zu vermeiden.
- Durch das Verschlucken von Batterien kann es zu Erstickungen und/oder Vergiftungen kommen.
- Installieren Sie das Gerät auf einem stabilen Untergrund, um übermäßige Betriebsgeräusche oder -schwingungen zu vermeiden.
- Der A-gewichtete Schalldruckpegel ist niedriger als 70dB.
- Dieses Gerät ist vorgesehen für die Nutzung durch Fachleute oder geschultes Personal in Werkstätten, in der Leichtindustrie und in landwirtschaftlichen Betrieben oder für die kommerzielle Nutzung durch Laien.

## <FRANÇAIS>

L'anglais est l'original. Les versions fournies dans d'autres langues sont des traductions de l'original.

### ▲ PRECAUTION

- Une fuite de réfrigérant peut entraîner une asphyxie. Fournissez une ventilation adéquate en accord avec la norme EN378-1.
- Assurez-vous que la tuyauterie est enveloppée d'isolant. Un contact direct avec la tuyauterie nue peut entraîner des brûlures ou des engelures.
- Ne mettez jamais des piles dans la bouche pour quelque raison que ce soit pour éviter de les avaler par accident.
- Le fait d'ingérer des piles peut entraîner un étouffement et/ou un empoisonnement.
- Installez l'appareil sur une structure rigide pour prévenir un bruit de fonctionnement et une vibration excessifs.
- Le niveau de pression acoustique pondéré est en dessous de 70 dB.
- Cet appareil est conçu pour un utilisateur expert ou les utilisateurs formés en magasin, dans l'industrie légère et dans l'agriculture ou dans le commerce par le profane.

## <NEDERLANDS>

Het Engels is het origineel. De andere taalversies zijn vertalingen van het origineel.

### ▲ VOORZICHTIG

- Het lekken van koelvloeistof kan verstikking veroorzaken. Zorg voor ventilatie in overeenstemming met EN378-1.
- Isoleer de leidingen met isolatiemateriaal. Direct contact met de onbedekte leidingen kan leiden tot brandwonden of bevriezing.
- Stop nooit batterijen in uw mond om inslikking te voorkomen.
- Het inslikken van batterijen kan verstikking of vergiftiging veroorzaken.
- Installeer het apparaat op een stabiele structuur om overmatig lawaai of trillingen te voorkomen.
- Het niveau van de geluidsdruk ligt onder 70 dB(A).
- Dit apparaat is bedoeld voor gebruik door ervaren of opgeleide gebruikers in werkplaatsen, in de lichte industrie en op boerderijen, of voor commercieel gebruik door leken.

## <ESPAÑOL>

El idioma original del documento es el inglés. Las versiones en los demás idiomas son traducciones del original.

### ▲ CUIDADO

- Las pérdidas de refrigerante pueden causar asfixia. Se debe proporcionar la ventilación determinada en EN378-1.
- Asegúrese de colocar el aislante alrededor de las tuberías. El contacto directo con la tubería puede ocasionar quemaduras o congelación.
- Para evitar una ingestión accidental, no coloque las pilas en su boca bajo ningún concepto.
- La ingestión de las pilas puede causar asfixia y/o envenenamiento.
- Coloque la unidad en una estructura rígida para evitar que se produzcan sonidos o vibraciones excesivos debidos a su funcionamiento.
- El nivel de presión acústica ponderado A es inferior a 70 dB.
- Este aparato está destinado a su uso por parte de usuarios expertos o capacitados en talleres, industrias ligeras y granjas, o a su uso comercial por parte de personas no expertas.

## <ITALIANO>

Il testo originale è redatto in lingua Inglese. Le altre versioni linguistiche rappresentano traduzioni dell'originale.

### ▲ ATTENZIONE

- Le perdite di refrigerante possono causare asfissia. Prevedere una ventilazione adeguata in conformità con la norma EN378-1.
- Accertarsi di applicare materiale isolante intorno alle tubature. Il contatto diretto con le tubature non schermate può provocare ustioni o congelamento.
- Non introdurre in nessun caso le batterie in bocca onde evitare ingestioni accidentali.
- L'ingestione delle batterie può provocare soffocamento e/o avvelenamento.
- Installare l'unità su una struttura rigida in modo da evitare rumore o vibrazioni eccessivi durante il funzionamento.
- Il livello di pressione del suono ponderato A è inferiore a 70dB.
- Questa apparecchiatura è destinata all'utilizzo da parte di utenti esperti o addestrati in negozi, industria leggera o fattorie oppure a un uso commerciale da parte di persone non esperte.

## <ΕΛΛΗΝΙΚΑ>

Η γλώσσα του πρωτοτύπου είναι η αγγλική. Οι εκδόσεις άλλων γλωσσών είναι μεταφράσεις του πρωτοτύπου.

### ▲ ΠΡΟΣΟΧΗ

- Η διαρροή του ψυκτικού ενδέχεται να προκαλέσει ασφυξία. Φροντίστε για τον εξαερισμό σύμφωνα με το πρότυπο EN378-1.
- Φροντίστε να τυλίξετε με μονωτικό υλικό τη σωλήνωση. Η απευθείας επαφή με τη γυμνή σωλήνωση ενδέχεται να προκαλέσει εγκαύματα ή κρυοπαγήματα.
- Μη βάζετε ποτέ τις μπαταρίες στο στόμα σας για κανένα λόγο ώστε να αποφύγετε την κατά λάθος κατάποσή τους.
- Η κατάποση μπαταριών μπορεί να προκαλέσει πνιγμό ή/και δηλητηρίαση.
- Εγκαταστήστε τη μονάδα σε σταθερή κατασκευή ώστε να αποφύγετε τον έντονο ήχο λειτουργίας ή τους κραδασμούς.
- Η Α-σταθμισμένη στάθμη ηχητικής πίεσης είναι κάτω των 70dB.
- Η Α-σταθμισμένη στάθμη ηχητικής πίεσης είναι κάτω των 70dB.
- Η συσκευή αυτή προορίζεται για χρήση από εμπειροπρόσωπους ή εκπαιδευμένους χρήστες σε καταστήματα, στην ελαφριά βιομηχανία και σε αγροκτήματα, ή για εμπορική χρήση από άτομα τα οποία δεν είναι ειδήμονες.

## <PORTUGUÊS>

O idioma original é o inglês. As versões em outros idiomas são traduções do idioma original.

### ▲ CUIDADO

- A fuga de refrigerante pode causar asfixia. Garanta a ventilação em conformidade com a norma EN378-1.
- Certifique-se de que envolve as tubagens com material de isolamento. O contacto directo com tubagens não isoladas pode resultar em queimaduras ou ulcerações provocadas pelo frio.
- Nunca coloque pilhas na boca, por nenhum motivo, para evitar a ingestão accidental.
- A ingestão de uma pilha pode causar obstrução das vias respiratórias e/ou envenenamento.
- Instale a unidade numa estrutura robusta, de forma a evitar ruídos ou vibrações excessivos durante o funcionamento.
- O nível de pressão sonora ponderado A é inferior a 70 dB.
- Este equipamento destina-se a ser utilizado por especialistas ou utilizadores com formação em lojas, na indústria ligeira e em quintas, ou para utilização comercial por leigos.

## <DANSK>

Engels er originalen. De andre sprogversioner er oversættelser af originalen.

### ▲ FORSIGTIG

- Lækage af kølemiddel kan forårsage kvælning. Sørg for udluftning i overensstemmelse med EN378-1.
- Sørg for at pakke rørene ind i isolering. Direkte kontakt med ubeklædte rør kan forårsage forbrændinger eller forfrysninger.
- Batterier må under ingen omstændigheder tages i munden for at forhindre utilsigtet indtagelse.
- Indtagelse af batterier kan forårsage kvælning og/eller forgiftning.
- Installer enheden på en fast struktur for at forhindre for høje driftslyde eller vibrationer.
- Det A-vægtede lydtrykniveau er under 70dB.
- Dette apparat er beregnet til at blive brugt af eksperter eller udlærte brugere i butikker, inden for let industri og på gårde eller til kommerciel anvendelse af lægmænd.

## <SVENSKA>

Engelska är originalspråket. De övriga språkversionerna är översättningar av originalet.

### ▲ FÖRSIKTIGHET

- Köldmedelsläckage kan leda till kvävning. Tillhandahåll ventilation i enlighet med EN378-1.
- Kom ihåg att linda isolering runt rören. Direktkontakt med bara rör kan leda till brännskador eller köldskador.
- Stoppa aldrig batterier i munnen, de kan sväljas av misstag.
- Om ett batteri sväljs kan det leda till kvävning och/eller förgiftning.
- Montera enheten på ett stadigt underlag för att förhindra höga driftljud och vibrationer.
- Den A-vägdade ljudtrycksnivån är under 70dB.
- Denna apparat är ämnad för användning av experter eller utbildade användare i affärer, inom lätt industri och på lanbruk, eller för kommersiell användning av lekmän.

## <TÜRKÇE>

Aslı İngilizce'dir. Diğer dillerdeki sürümler aslının çevirisidir.

### ▲ DİKKAT

- Soğutucu kaçağı boğulmaya neden olabilir. EN378-1 uyarınca uygun havalandırma sağlayın.
- Borular etrafına yalıtım yapıldığından emin olun. Borulara doğrudan çıplak elle dokunulması yanıklara veya soğuk ısırıklarına neden olabilir.
- Kazara yutmamak için, pilleri kesinlikle hiçbir amaçla ağzınızda tutmayın.
- Pillerin yutulması boğulmaya ve/veya zehirlenmeye yol açabilir.
- Aşırı çalıma seslerini veya titreşimi önlemek için, üniteyi sağlam bir yapı üzerine monte edin.
- A ağırıklı ses gücü seviyesi 70dB'nin altındadır.
- Bu cihaz tıbbilerde, hafif endüstriyel tesislerde ve çiftliklerde uzman veya eğitimli kullanıcılar tarafından kullanılmak üzere veya normal kullanıcılar tarafından ticari kullanım için tasarlanmıştır.

## <РУССКИЙ>

Языком оригинала является английский. Версии на других языках являются переводом оригинала.

### ▲ ОСТОРОЖНО

- Утечка хладагента может стать причиной удушья. Обеспечьте вентиляцию в соответствии с EN378-1.
- Обязательно оберните трубы изоляционным материалом. Непосредственный контакт с неизолированным трубопроводом может привести к ожогам или обморожению.
- Запрещается класть элементы питания в рот по каким бы то ни было причинам во избежание случайного проглатывания.
- Попадание элемента питания в пищеварительную систему может стать причиной удушья и/или отравления.
- Устанавливайте устройство на жесткую структуру во избежание чрезмерного шума или чрезмерной вибрации во время работы.
- Уровень звукового давления по шкале A не превышает 70 дБ.
- Данное устройство предназначено для использования специалистами или обученным персоналом в магазинах, на предприятиях легкой промышленности и фермах или для коммерческого применения неспециалистами.

## <УКРАЇНСЬКА>

Переклад оригіналу. Текст іншими мовами є перекладом оригіналу.

### ▲ ОБЕРЕЖНО

- Виток холодоагенту може призвести до удушся. Необхідно забезпечити вентиляцію відповідно до стандарту EN 378-1.
- Труби необхідно обмотати ізоляційним матеріалом. Прямий контакт із непокритою трубою може призвести до опіку або обмороження.
- Забороняється класти елементи живлення в рот із будь-яких причин, оскільки є ризик випадково їх проковтнути.
- Попадання елемента живлення в травну систему може стати причиною задхуки та/або отруєння.
- Встановлюйте блок на міцній конструкції, щоб уникнути надмірного рівня звуку роботи або вібрації.
- Рівень амплітудно зваженого акустичного тиску становить нижче 70 дБ.
- Цей прилад призначається для використання спеціалістами або особами, що пройшли відповідне навчання, у кранницях, легкій промисловості та сільськогосподарських підприємствах, а також для комерційного використання неспеціалістами.

## <БЪЛГАРСКИ>

Оригиналът е текстът на английски език. Версиите на други езици са преводи на оригинала.

### ▲ ВНИМАНИЕ

- Изтичането на хладилен агент може да причини задушаване. Осигурете вентилация съобразно с EN378-1.
- Не забравяйте да уветите изолация около тръбите. Директният контакт с оголени тръби може да причини изгаряне или измръзване.
- При никакви обстоятелства не поставяйте батериите в устата си, за да не ги поглънете по невнимание.
- Това може да доведе до задушаване и/или натравяне.
- Монтирайте тялото върху твърда конструкция, за да предотвратите прекомерен шум или вибрации по време на работа.
- А-претегленото ниво на звуково налягане е под 70 dB.
- Този уред е предназначен за използване от експерти или обучени потребители в магазини, в леката промишленост и във ферми, или за търговска употреба от неспециалисти.



## <POLSKI>

Językiem oryginału jest język angielski. Inne wersje językowe stanowią tłumaczenie oryginału.

### ▲ UWAGA

- Wyciek czynnika chłodniczego może spowodować uduszenie. Należy zapewnić wentylację zgodnie z normą EN378-1.
- Należy pamiętać, aby owinąć izolację wokół przewodów rurowych. Bezpośredni kontakt z niezabezpieczonymi przewodami rurowymi może doprowadzić do poparzeń lub odmrożeń.
- Nie wolno wkładać baterii do ust z jakiegokolwiek powodu, aby uniknąć przypadkowego połknięcia.
- Połknięcie baterii może spowodować zadławienie i/lub zatrucie.
- Zainstalować urządzenie na sztywnej konstrukcji, aby zapobiec nadmieremu hałasowi i wibracjom.
- Poziom dźwięku A nie przekracza 70 dB.
- W sklepach, w przemyśle lekkim i w gospodarstwach rolnych urządzenie powinni obsługiwać profesjonalni lub przeszkoleni użytkownicy, a w środowisku handlowym mogą to być osoby nieposiadające fachowej wiedzy.

## <NORSK>

Originalspråket er engelsk. De andre språkversjonene er oversettelser av originalen.

### ▲ FORSIKTIG

- Kjølemiddellekkasje kan forårsake kvelning. Sørg for ventilering i samsvar med EN378-1.
- Pass på at isoleringen pakkes godt rundt røret. Direkte kontakt med ukledte rør kan forårsake brannskader eller forfrysninger.
- Aldri plasser batteri i munnen, da dette kan medføre en risiko for at du svelger batteriet ved et uheld.
- Hvis du svelger et batteri, kan du risikere kvelning og/eller forgiftning.
- Installer enheten på en stabil struktur for å forhindre uønsket mye driftsstøy eller vibrering.
- Det A-vektede lydtryknivået er under 70 dB.
- Dette apparatet er ment for bruk av eksperter eller faglært personell i butikker, lettindustri og på gårder, eller for kommersielt bruk av ikke-fagmenn.

## <SUOMI>

Englanti on alkuperäinen. Muut kieliversiot ovat alkuperäiskappaleen käännöksiä.

### ▲ HUOMIO

- Vuotava kylmäaine voi aiheuttaa tukehtumisen. Ilmanvaihdon on oltava EN378-1-standardin mukainen.
- Kääri putken ympärille eristysmateriaalia. Paljaan putken koskettamisesta voi seurata palotai paleltumavammoja.
- Älä koskaan laita paristoja suuhun, jotta et vahingossa nielaisisi niitä.
- Paristojen nieleminen voi aiheuttaa tukehtumisen ja/tai myrkytyksen.
- Asenna yksikkö tukeviin rakenteisiin, jotta sen käytöstä ei syntyisi ylimääräistä ääntä tai värinää.
- A-painotettu äänenpainetaso on alle 70 dB.
- Laite on tarkoitettu asiantuntijoiden tai laitteelle koulutuksen saaneiden käyttöön kauppoissa, pienteollisuudessa ja maataloilla tai maailloille kaupalliseen käyttöön.

## <ČEŠTINA>

Originál je v angličtině. Ostatní jazykové verze jsou překladem originálu.

### ▲ POZOR

- Únik chladicího média může způsobit udušení. Zajistěte větrání v souladu s normou EN 378-1.
- Okolo potrubí vždy omotejte izolací. Přímý kontakt s obnaženým potrubím může způsobit popálení nebo omrzliny.
- Nikdy nevkládejte baterie do úst, aby nedošlo k jejich polknutí.
- Polknutí baterie může způsobit zadušení a/nebo otravu.
- Jednotku nainstalujte na pevnou konstrukci, aby nedocházelo ke vzniku nadměrného provozního hluku a vibrací.
- Hladina akustického tlaku A je nižší než 70 dB.
- Toto zařízení je určeno pro prodejny, lehký průmysl a farmy, kde je musí obsluhovat odborníci a školení uživatelé, a pro komerční použití, kde je mohou obsluhovat laici.

## <SLOVENČINA>

Peklad anglického originálu. Všetky jazykové verzie sú preložené z angličtiny.

### ▲ UPOZORNENIE

- Únik chladiva môže spôsobiť udusenie. Zabezpečte vetranie podľa normy EN 378-1.
- Nezabudnite potrubie obaliť izoláciou. Priamy kontakt s nezabaleným potrubím môže spôsobiť popálenie alebo omrzliny.
- Batérie si nikdy z akéhokoľvek dôvodu nekladte do úst, aby nedošlo k ich náhodnému požitiu.
- Požitie batérií môže vyvolať dusenie a/alebo otravu.
- Nainštalujte jednotku na pevný konštrukčný prvok, aby ste obmedzili nadmerný prevádzkový hluk a vibrácie.
- Hladina akustického tlaku A je nižšia ako 70 dB.
- Toto zariadenie je určené na používanie odborníkmi alebo zaškolenými používateľmi v komerčných priestoroch, v prostredí ľahkého priemyslu, na farmách, alebo na komerčné použitie bežnými používateľmi.

## <MAGYAR>

Az angol változat az eredeti. A többi nyelvi változat az eredeti fordítása.

### ▲ VIGYÁZAT

- A hűtőközeg szivárgása fulladást okozhat. Gondoskodjon az EN378-1 szabvány előírásai szerinti szellőztetésről.
- Feltétlenül szigetelje körbe a csöveket. A csupasz cső megérintése égési vagy fagyási sérülést okozhat.
- Ne vegyen a szájába elemet semmilyen célból, mert véletlenül lenyelheti!
- A lenyelt elem fulladást és/vagy mérgezést okozhat.
- A készületek merev szerkezetre szerelje fel, hogy megakadályozza a túlzott üzemi zajt és vibrációt.
- Az A-súlyozott hangnyomásszint 70 dB alatt van.
- A készülék üzletek, a könnyűipar és gazdaságok szakértő vagy képzett felhasználói, valamint laikus felhasználók általi kereskedelmi használatra készült.

## <SLOVENŠČINA>

Izvirnik je v angleščini. Druge jezikovne različice so prevodi izvirnika.

### ▲ POZOR

- Puščanje hladiva lahko povzroči zadušenje. Zagotovite prezračevanje po standardu EN378-1.
- Cevi ovijte z izolacijo. Neposredni stik z golimi cevmi lahko povzroči opekline ali ozeblino.
- Nikoli in iz nobenega razloga ne vstavljajte baterij v usta, da jih po nesreči ne pogoltnete.
- Če baterije pogoltnete, se lahko zadušite in/ali zastupite.
- Enoto namestite na togo konstrukcijo, da preprečite pretiran zvok ali tresljaje med delovanjem.
- A-utežena raven zvočnega tlaka je pod 70 dB.
- Naprava je namenjena za uporabo s strani strokovnih ali ustrezno usposobljenih uporabnikov v trgovinah, lahki industriji in na kmetijah ter za komercialno uporabo s strani nestrokovnih uporabnikov.

## <ROMÂNĂ>

Textul original este în limba engleză. Versiunile pentru celelalte limbi sunt traduceri ale originalului.

### ▲ ATENȚIE

- Scurgerea de agent frigorific poate cauza asfixierea. Asigurați o ventilație corespunzătoare, conform standardului EN378-1.
- Asigurați-vă că înfășurați materialul izolator în jurul conductelor. Contactul direct cu conductele neizolate se poate solda cu arsuri sau degerături.
- Nu introduceți niciodată și pentru niciun motiv bateriile în gură, pentru a evita ingerarea accidentală a acestora.
- Ingerarea bateriilor poate cauza sufocarea și/sau intoxicația.
- Instalați unitatea pe o structură rigidă pentru a preveni producerea unui nivel excesiv de sunete sau vibrații.
- Nivelul de presiune acustică ponderată în A este mai mic de 70 dB.
- Acest aparat este destinat utilizării de către utilizatori specializați sau instruiți în cadrul spațiilor comerciale, spațiilor din cadrul industriei ușoare și al fermelor sau în scopuri comerciale de către nespecialiști.

## <EESTI>

Originaaljuhend on ingliskeelne. Muudes keeltes versioonid on originaali tõlked.

### ▲ ETTEVAATUST!

- Külmaaine leke võib põhjustada lämbumist. Tuulutamise standardi EN378-1 kohaselt.
- Märkige torude ümber kindlasti isolatsiooni. Vahetu kontakt paljaste torudega võib põhjustada põletusi või külmakahjustusi.
- Hoiduge patareide tahtmatust allaneelamisest, ärge kunagi pange ühelgi põhjusel patareisid suhu.
- Patarei allaneelamine võib põhjustada lämbumist ja/või mürgitust.
- Paigaldage seade järgale struktuurile, et vältida ülemäärast tööheli ja vibreerimist.
- A-filtriga helirõhu tase on madalam kui 70 dB.
- Seade on mõeldud kasutamiseks asjatundjatele ja väljaõppe läbinud kasutajatele poodides, kergtööstuses ja taludes ning kommertskasutuseks tavaisikute poolt.

## <LATVIŠKI>

Orģināls ir angļu valodā. Versijas citās valodās ir oriģināla tulkojums.

### ▲ UZMANĪBU

- Aukstumaģenta noplūdes gadījumā pastāv nosmakšanas risks. Ir jānodrošina standartam EN378-1 atbilstoša ventilācija.
- Aptiniet caurules ar izolējošu materiālu. Pieskaroties neaptitām caurulēm, var gūt apdegumus vai apsaldējumus.
- Aizliegts ievietot baterijas mutē; pastāv norīšanas risks.
- Bateriju norīšana var izraisīt aizrīšanas un/vai saindēšanas.
- Uzstādiet iekārtu uz izturīgas struktūras, lai izvairģtos no pārlģeku liela darbģbas troksģna vai vibrācijas.
- A — izsvartais skaģnas spģdģdiena lģmenģs ir mazģks par 70 dB.
- Šo iekārtu paredzģts lietot speciālistiem vai apmācģtiem lietotāģiem veģkalos, vieģlģas rūpniecģbas tģpģas un lauksaimniecģbas fermās, kā arī to var lietot nespeciālistģ komercģalām vajadzģbģm.

## <LIETUVIŠKAI>

Originalas yra anglų k. Versijos kitomis kalbomis yra originalo vertimas.

### ▲ ATSARGIAI

- Dėl šaltnešio nuotėkio galima uždušti. Išvėdinkite patalpas pagal EN378-1.
- Būtinai vamzdelius apvyniokite izoliacija. Prisilietus prie plikų vamzdelių galima nusideginti arba nušalti.
- Siekdami išvėgti atsitiktinio prarģjimo, niekada nedėkite baterijų į burną.
- Prarģjus bateriją galima užspringti ir / arba apsinuodyti.
- Įrenginį sumontuokite ant tvirtos struktūros, kad nesigirdėtų pernelyg didelio veikimo triukšmo ar vibracijos.
- A svertinis garso slėgio lygis nesiekia 70 dB;
- Šis prietaisas skirtas naudoti specialistui ar išmokytiems naudotojams dirbtuvėse, lengvojoje pramonėje arba komerciniam naudojimui nespecialistams.

## <HRVATSKI>

Tekst je izvorno napisan na engleskom jeziku. Tekst na ostalim jezicima predstavlja prijevod izvorno napisanog teksta.

### ▲ OPREZ

- Curenje rashladnog sredstva može uzrokovati gušenje. Osigurajte ventilaciju u skladu s normom HR EN378-1.
- Obavezno stavite izolaciju oko položenih cijevi. Izravni doticaj s golim cijevima može dovesti do opekлина ili smrzavanja.
- Nikada ne stavljajte baterije u usta ni zbog kojeg razloga kako biste izbjegli slučajno gutanje.
- Gutanje baterija može prouzročiti gušenje i/ili trovanje.
- Postavite jedinicu na čvrstu strukturu kako biste izbjegli prebučan zvuk tijekom rada ili pojavu vibracija.
- Razina zvučnog tlaka A niža je od 70dB.
- Ovak uređaj mogu upotrebljavati stručnjaci ili osposobljeni korisnici u trgovinama, lakoj industriji i na poljoprivrednim gospodarstvima ili laici u komercijalne svrhe.

## <SRPSKI>

Prevod originala. Verzije na drugim jezicima su prevodi originala.

### ▲ OPREZ

- Curenje rashladne tečnosti može da dovede do gušenja. Obezbedite ventilaciju u skladu sa EN378-1.
- Obavezno obmotajte izolaciju oko cevi. Direktna kontakt sa golom cevju može izazvati opekotine ili promrzline.
- Nikada nemojte stavljati baterije u usta iz bilo kog razloga, kako bi se sprečilo slučajno gutanje.
- Gutanje baterija može da izazove gušenje i/ili trovanje.
- Ugradite jedinicu na čvrstu strukturu kako biste sprečili previše jak zvuk rada ili vibracije.
- A-ponderisani nivo jačine pritiska zvuka je ispod 70 dB.
- Ovak uređaj je namenjen za upotrebu od strane stručnjaka ili obučeni korisnika u prodavnicama, u lakoj industriji i na farmama ili za komercijalnu upotrebu od strane nekvalifikovanih lica.

Please be sure to put the contact address/telephone number on this manual before handing it to the customer.

**mitsubishi electric corporation**

HEAD OFFICE: TOKYO BUILDING, 2-7-3, MARUNOUCHI, CHIYODA-KU, TOKYO 100-8310, JAPAN

# Air to Water Heat Pump SUZ-SWM·VA(H) series SUZ-SHWM·VAH series

INSTALLATION MANUAL	FOR INSTALLER	English
INSTALLATIONSHANDBUCH	FÜR INSTALLATEURE	Deutsch
MANUEL D'INSTALLATION	POUR L'INSTALLATEUR	Français
INSTALLATIEHANDLEIDING	VOOR DE INSTALLATEUR	Nederlands
MANUAL DE INSTALACIÓN	PARA EL INSTALADOR	Español
MANUALE DI INSTALLAZIONE	PER L'INSTALLATORE	Italiano
ΕΓΧΕΙΡΙΔΙΟ ΟΔΗΓΙΩΝ ΕΓΚΑΤΑΣΤΑΣΗΣ	ΓΙΑ ΑΥΤΟΝ ΠΟΥ ΚΑΝΕΙ ΤΗΝ ΕΓΚΑΤΑΣΤΑΣΗ	Ελληνικά
MANUAL DE INSTALAÇÃO	PARA O INSTALADOR	Português
INSTALLATIONSMANUAL	TIL INSTALLATØREN	Dansk
INSTALLATIONSMANUAL	FÖR INSTALLATÖREN	Svenska
MONTAJ ELKİTABI	MONTÖR İÇİN	Türkçe
РУКОВОДСТВО ПО УСТАНОВКЕ	ДЛЯ УСТАНОВИТЕЛЯ	Русский
ПОСІБНИК З УСТАНОВЛЕННЯ	ДЛЯ СПЕЦІАЛІСТА З МОНТАЖУ	Українська
РЪКОВОДСТВО ЗА МОНТАЖ	ЗА МОНТАЖНИКА	Български
INSTRUKCJA MONTAŻU	DLA INSTALATORA	Polski
INSTALLASJONSHÅNDBOK	FOR MONTØR	Norsk
ASENNUSOPAS	ASENTAJALLE	Suomi
INSTALAČNÍ PŘÍRUČKA	PRO MONTÁŽNÍ PRACOVNÍKY	Čeština
NÁVOD NA INŠTALÁCIU	PRE MONTÉRA	Slovenčina
TELEPÍTÉSI KÉZIKÖNYV	A TELEPÍTŐ RÉSZÉRE	Magyar
NAMESTITVENI PRIROČNIK	ZA MONTERJA	Slovenščina
MANUAL DE INSTALARE	PENTRU INSTALATOR	Română
PAIGALDUSJUHEND	PAIGALDAJALE	Eesti
MONTĀŽAS ROKASGRĀMATA	UZSTĀDĪŠANAS SPECIĀLISTAM	Latviski
MONTAVIMO VADOVAS	SKIRTA MONTUOTOJUI	Lietuviškai
PRIRUČNIK ZA POSTAVLJANJE	ZA INSTALATERA	Hrvatski
UPUTSTVO ZA UGRADNJU	ZA MONTERA	Srpski

1. Biztonsági óvintézkedések	1	6. Elektromos bekötés	9
2. A telepítési hely kiválasztása	3	7. Karbantartás	10
3. Telepítési ábra	5	8. Vízcső munkálatok	11
4. A kültéri egység elvezető csővezetékei	5	9. Szivattyúzás	13
5. Hűtőközegcső munkálatok	6	10. Műszaki adatok	14



**Megjegyzés:** Ez a jelzés csak EU-országok számára érvényes.

**Ez a szimbólum a 2012/19/EU irányelv 14. cikkének (Felhasználói információk) és a IX. függeléknek az előírásaival van összhangban.**

A MITSUBISHI ELECTRIC terméket kiváló minőségű anyagok és alkatrészek felhasználásával tervezték és gyártották, melyek újrahasznosíthatók vagy újra felhasználhatók.

Ez a szimbólum azt jelenti, hogy az elektromos és elektronikus berendezéseket az élettartamuk végén a háztartási hulladéktól elkülönítve kell megsemmisíteni.

Kérjük, a készüléket megfelelően, a helyi hulladékgyűjtő vagy újrahasznosító központba eljuttatva selejtezzze.

Az Európai Unióban a használt elektromos és elektronikus termékek számára külön gyűjtőrendszert használnak.

Kérjük, segítsen megvédeni a környezetünket!

## ! VIGYÁZAT:

• Ne engedjen R32 gázt a légkörbe.

## 1. Biztonsági óvintézkedések

- ▶ Az egység telepítése előtt kötelező elolvasni a „Biztonsági óvintézkedéseket”.
- ▶ Kérjük, a rendszerre csatlakozás előtt jelentse azt a szolgáltató hatóságának, vagy kérje annak jóváhagyását.

## ! FIGYELMEZTETÉS:

Azokat az óvintézkedéseket ismerteti, amelyeket a sérülés vagy halál veszélyének megelőzése érdekében be kell tartani.

## ! VIGYÁZAT:

Azokat az óvintézkedéseket ismerteti, amelyeket az egység károsodásának megelőzése érdekében be kell tartani.

A telepítés befejezése után magyarázza el a készülék „Biztonsági óvintézkedéseit” valamint a készülék használatával és karbantartásával kapcsolatos tudnivalókat az ügyfélnek az Használati kézikönyvben található információk szerint, és végezze el a tesztet a normál működés biztosítása érdekében. Mind a Telepítési kézikönyvet, mind a Használati kézikönyvet át kell adni a felhasználónak megőrzésre. Ezeket a kézikönyveket át kell adni a későbbi felhasználóknak is.

⚠ : Azt jelzi, hogy az alkatrészt földelni kell.

## ! FIGYELMEZTETÉS:

Olvassa el figyelmesen a főegységen látható címkéket.

◎ : Az R32 hűtőközeg használata esetén betartandó óvintézkedéseket jelzi.

## A BELTÉRI ÉS A KÜLTÉRI EGYSÉGEN LÁTHATÓ SZIMBÓLUMOK JELENTÉSE

	<b>FIGYELMEZTETÉS</b> (Tűzveszély)	Ez a jelzés csak az R32 hűtőközegre érvényes. A hűtőközeg típusa a kültéri egység adattábláján szerepel. Ha a hűtőközeg típusa R32, akkor ez az egység gyúlékony hűtőközeget használ. Ha a hűtőközeg szivárog és tűzzel vagy fűtőtesttel kerül kapcsolatba, káros gázok keletkeznek és tűzveszély lép fel.
		Használat előtt gondosan olvassa el a HASZNÁLATI KÉZIKÖNYVET.
		A szervizelést végző szakemberek működtetés előtt olvassák el a HASZNÁLATI KÉZIKÖNYVET és a TELEPÍTÉSI KÉZIKÖNYVET.
		A HASZNÁLATI KÉZIKÖNYV, a TELEPÍTÉSI KÉZIKÖNYV és a hasonló dokumentumok további információkat is tartalmaznak.

## ! FIGYELMEZTETÉS:

- Az egység telepítését nem végezheti a felhasználó. Az egység telepítéséhez, áthelyezéséhez vagy javításához kérje a forgalmazó vagy arra feljogosított szakember segítségét. A helytelenül felszerelt egység vízvívárgást, áramütést vagy tüzet okozhat.
- Telepítéshez és áthelyezéshez kövesse a telepítési kézikönyv utasításait, és használjon kifejezetten az R32 hűtőközeggel való használatra gyártott szerszámokat és csőszerelevényeket. Ha nem kifejezetten az R32 hűtőközeghez készült csőszerelevényeket használ, és hibásan telepíti az egységet, a csövek felrobbanhatnak, és sérülést, illetve anyagi kárt okozhatnak. Ezenkívül vízvívárgás vagy áramütés következhet be vagy tűz keletkezhet.
- Az egységet az utasításoknak megfelelően kell beszerelni annak érdekében, hogy minimálisra csökkentse a földrengések, tájfunok vagy erős szél által okozott károkat. A helytelenül beszerelt egység leeshet, és károkat vagy sérüléseket okozhat.
- Az egységet biztonságosan kell beépíteni egy olyan szerkezetre, amely képes megtartani súlyát. Ha instabil szerkezetre szereli fel az egységet, leeshet, és sérülést, illetve anyagi kárt okozhat.
- Ha a levegő-víz hőszivattyút kis helyiségbe szerelik be, intézkedések kell tenni annak érdekében, hogy hűtőközeg-szivárgás esetén a hűtőközeg koncentrációja ne haladhasa meg a helyiségben a biztonsági határértéket. Arra vonatkozóan, hogy milyen intézkedéseket érdemes tenni annak érdekében, hogy az érték ne haladhasa meg a megengedett koncentrációt, kérje a forgalmazó tanácsát. Ha a hűtőközeg szivárog és túllépi a koncentráció határát, a helyiség oxigénhiány miatt veszélyessé válhat.
- Szellőztesse ki a helyiséget, ha a hűtőközeg működés közben szivárog. Ha a hűtőközeg tűzzel kerül kapcsolatba, mérgező gázok keletkeznek.

- Minden villamos munkát szakképzett szakembernek kell végeznie, a helyi előírások és a jelen kézikönyv utasításai szerint. Az egységeket csak erre szolgáló vezetékkel kell táplálni, és a megfelelő feszültség- és áramértékű megszakítókat kell használni. Az elégtelen méretű tápvezetékek, illetve a rossz minőségű villanszerelési munka miatt áramütés következhet be vagy tűz keletkezhet.
- A hűtőközegcsövek csatlakoztatására szolgáló, rézből és rézötvetből készült varrat nélküli csövek anyaga C1220 foszforréz legyen. Ha a csövek csatlakoztatása helytelen, az egység földelése nem lesz megfelelő, ami áramütéshez vezethet.
- A készülék üzletek, a könnyűipar és gazdaságok szakértő vagy képzett felhasználói, valamint laikus felhasználók általi kereskedelmi használatra készült.
- Kizárólag a meghatározott típusú kábeleket használja bekötésre. A kábelcsatlakozásokat biztonságosan kell megtervezni, úgy, hogy a csatlakozások ne legyenek feszültség alatt. Soha ne alkalmazzon kábelösszekötést a huzalozáshoz (hacsak a dokumentum másképpen nem utasítja).  
A jelen utasítások be nem tartása túlmelegedést vagy tüzet okozhat.
- Ha a tápkábel megsérült, azt a veszély elkerülése érdekében a gyártónak, a szervizszakembernek vagy más hasonló képesítéssel rendelkező személyeknek kell kicserélnie.
- A készüléket az országos bekötési előírásoknak megfelelően kell beszerelni.
- A kültéri egység kapcsolécének fedelét erősen kell rögzíteni. Ha a fedél hibásan van felszerelve, ami miatt por vagy nedvesség kerül az egységbe, áramütés következhet be vagy tűz keletkezhet.

# 1. Biztonsági óvintézkedések

- A levegő-víz hőszivattyú telepítések, áthelyezések és szervizelések csak az előírt hűtőközeget (R32) használja a hűtőközegcsövek feltöltéséhez. Ne keverje össze más hűtőközeggel, és ne engedje, hogy levegő maradjon a vezetékben. Ha levegő keveredik a hűtőközeggel, a hűtőközegben a normálistól eltérő túlnyomás keletkezhet, ami robbanást és más veszélyeket okozhat. A nem a rendszerhez megadott hűtőközeg használata miatt mechanikai hiba vagy rendszermeghibásodás keletkezhet, vagy az egység leállhat. A legrosszabb esetben ez súlyos mértékben csökkentheti a termék biztonságát.
  - Csak a Mitsubishi Electric által engedélyezett tartozékokat szabad használni, és kérjen meg egy forgalmazót vagy felhatalmazott szakembert a telepítésükre. A helytelenül felszerelt tartozékok vízszivárgást, áramütést vagy tüzet okozhatnak.
  - Ne módosítsa az egységet. Az egység módosítása tüzet, áramütést, sérülést vagy vízszivárgást okozhat.
  - A felhasználó soha ne próbálja megjavítani a készüléket, vagy áthelyezni azt máshova. A helytelenül felszerelt egység vízszivárgást, áramütést vagy tüzet okozhat. Ha a levegő-víz hőszivattyút javítani kell vagy át kell helyezni, kérje meg erre a forgalmazót vagy egy feljogosított szerelőt.
  - Ha a hűtőkör szivárog, a kompresszorral NE végezzen leürítést.
  - A hűtőközeg szivattyúzásánál állítsa le a kompresszort, mielőtt lekötne a hűtőközegcsöveket. A kompresszor felrobbanhat, ha levegő stb. kerül bele.
  - A telepítés befejezése után győződjön meg arról, hogy a hűtőközeg nem szivárog. Ha a hűtőközeg a helyiségbe szivárog, és érintkezésbe kerül egy fűtő vagy hordozható fűzőeszköz lángjával, mérgező gázok szabadulnak fel.
  - Ne alkalmazzon semmilyen más megoldást a kioldási folyamat felgyorsítására vagy a tisztításra, mint amit a gyártó ajánlott.
  - A berendezést olyan helyiségben kell tárolni, ahol nincs folyamatosan működő gyújtóforrás (például: nyílt láng, működő gázfogyasztó készülék vagy működő elektromos melegítő berendezés).
- Ügyeljen rá, hogy ne lyukassa ki vagy égesse meg.
  - Felhívjuk figyelmét, hogy a hűtőközeg nem tartalmaz illatanyagot.
  - A csővezetéseket védeni kell a fizikai károsodástól.
  - Legyen minél rövidebb a beépített csőhossz.
  - Be kell tartani a gázokra vonatkozó nemzeti előírásokat.
  - Minden szükséges szellőzőnyílást akadálymentesen kell tartani.
  - Ne használjon alacsony hőmérsékletű forrasztanyagot a hűtőközegcsövek keményforrasztása esetén.
  - Keményforrasztásnál gondoskodjon a helyiség megfelelő szellőztetéséről. Győződjön meg arról, hogy nincsenek veszélyes vagy gyúlékony anyagok a közelben. Ha a munkát zárt helyiségben, kis helyiségben vagy hasonló helyszínen végzi, a munka elvégzése előtt győződjön meg arról, hogy nincs hűtőfolyadék-szivárgás. Ha a hűtőközeg szivárog és felhalmozódik, meggyulladhat vagy mérgező gázok szabadulhatnak fel.
  - A készüléket jól szellőztetett helyiségben kell tárolni, ahol a helyiség mérete megegyezik az üzemeltetéshez előírt helyiségével.
  - Tartsa távol a gázegő berendezéseket, elektromos fűtőberendezéseket és más tűzforrásokat (gyújtóforrásokat) attól a helytől, ahol a beszerelést, javítást és a levegő-víz hőszivattyúval kapcsolatos egyéb munkákat végezni fogják. Ha a hűtőközeg tüzzel kerül kapcsolatba, mérgező gázok keletkeznek.
  - A munkavégzés és a berendezés szállítása közben ne dohányozzon.
  - Ne adjon hozzá több hűtőközeget, mint a kültéri egységek maximális mennyisége. Ha meghaladja a hűtőközeg maximális mennyiségét, akkor a hűtőközeg szivárgása esetén tüzet okozhat.

## 1.1. Telepítés előtt

### VIGYÁZAT:

- Ne használja az egységet szokatlan környezetben. Ha olyan környezetben szereli fel a levegő-víz hőszivattyút, ahol gőz, illóolajok (beleértve a gépolajat) vagy kén-gáz van jelen, illetve magas a só-tartalom (például tengerparton), vagy olyan helyre, ahol hó borítja be, akkor a teljesítménye jelentősen csökkenhet, és károsodhatnak a belső alkatrészei.
  - Ne szerelje be az egységet olyan környezetben, ahol éghető gázok szivároghatnak, keletkezhetnek, áramolhatnak vagy felhalmozódhatnak. Az egység körül összegyűlő éghető gáz tüzet vagy robbanást okozhat.
- Fűtés üzemmódban a kültéri egységben kondenzvíz csapódik ki. Ha az ilyen kicsapódás következtében fennállhat a károsodás veszélye, okvetlenül gondoskodjon a kültéri egység körüli vízvezetéséről.
  - Ha az egységet kórházba vagy kommunikációs irodába szereli be, tájékozzódjon a zajhatásról és elektronikus interferenciáról. Az inverterek, háztartási berendezések, nagyfrekvenciás orvosi berendezések és rádiókommunikációs berendezések a levegő-víz hőszivattyú meghibásodásához vagy leállításához vezethetnek. A levegő-víz hőszivattyú is hatással lehet az orvosi berendezésekre, zavart okozva az egészségügyi ellátásban és a kommunikációs eszközökben, csökkentve a kijelző megjelenítési minőségét.

## 1.2. Telepítés (vagy áthelyezés) előtt

### VIGYÁZAT:

- Legyen nagyon óvatos az egységek szállítása és felszerelése során. Az egység kezeléséhez két vagy több személy szükséges, mivel legkevesebb 20 kg-ot nyom. Ne ragadja meg a csomagolószalagoknál fogva. Az egység kicsomagolásához és mozgatásához viseljen védőkesztyűt, különben felsértheti a kezét a kiálló részekkel, élekkel és egyéb alkatrészekkel.
  - Ügyeljen arra, hogy a csomagolóanyagokat biztonságosan ártalmatlanítsa. A csomagolóanyagok, például a szegek és egyéb fém vagy fa részek szűrt vagy más jellegű sérülést okozhatnak.
- A kültéri egység talpát és rögzítéseit rendszeresen ellenőrizni kell, hogy nem lazultak-e meg, illetve nincs-e rajtuk repedés vagy egyéb sérülés. Ha ezeket a hibákat nem javítja ki, az egység lezuhanhat, és sérülést, illetve anyagi kárt okozhat.
  - A levegő-víz hőszivattyút ne tisztítsa vízzel! Fennáll az áramütés veszélye.
  - Húzza meg az összes hollandi anyát a specifikációban megadott értékig nyomtatékkal. Ha túlságosan meg van húzva, a hollandi anya hosszabb idő után eltérhet, és a hűtőközeg kiszivároghat.

## 1.3. Elektromos munka előtt

### VIGYÁZAT:

- Győződjön meg arról, hogy vannak telepítve megszakítók. Ha nincsenek, fennáll az áramütés veszélye.
  - Az elektromos vezetékhez használjon szabványos, megfelelő kapacitású kábeleket. Ellenkező esetben rövidzárlat, túlmelegedés vagy tűz keletkezhet.
  - Az elektromos vezeték telepítésekor győződjön meg arról, hogy a kábelek ne legyenek feszültség alatt. Ha meglazultak a csatlakozók, a kábelek kieshetnek vagy elszakadhatnak, ami túlmelegedést vagy tüzet okozhat.
- Gondoskodjon az egység földeléséről. Ne kösse a földelő vezetékét gázcsőre, vízvezetékre, villámhárítóra vagy telefonhálózat földelő vezetékére. A nem nincs megfelelően földelt egység áramütést okozhat.
  - Használjon a megadott kapacitással rendelkező megszakítókat (földzárlat-megszakítót, leválasztókapcsolót (+ B biztosítékot) és öntöttburkolat-megszakítót). Ha a megszakító kapacitása nagyobb a megadott kapacitásnál, az egység elromolhat vagy tűz keletkezhet.

# 1. Biztonsági óvintézkedések

## 1.4. A próbaüzem indítása előtt

### ⚠ VIGYÁZAT:

- Kapcsolja be a főkapcsolót több mint 12 órával az üzemelés megkezdése előtt. Ha közvetlenül a hálózati kapcsoló bekapcsolása után megkezdí az üzemeltetést, a belső alkatrészek súlyosan károsodhatnak. A használati időnyben tartsa bekapcsolva a főkapcsolót.
- Az üzemelés megkezdése előtt ellenőrizze, hogy az összes panel, védőburkolat és egyéb védelem megfelelően legyen felszerelve. A forgó, forró vagy nagyfeszültségű alkatrészek sérüléseket okozhatnak.

- Ne működtesse nedves kézzel a kapcsolókat. Fennáll az áramütés veszélye.
- Üzemelés közben ne érintse meg pusztá kézzel a hűtőközegcsöveket. A hűtőközegcsövek a bennük áramló hűtőközeg állapotától függően hol forróak, hol hidegek. Ha a csövekhez ér, égési vagy fagyási sérülést szenvedhet.
- A működés leállítása után várjon legalább öt percet, mielőtt lekapcsolja a főkapcsolót. Ellenkező esetben víz szívároghat, vagy elromolhat az egység.

## 1.5. Az R32 hűtőközeg használata a levegő-víz hőszivattyúval

### ⚠ VIGYÁZAT:

- A hűtőközegcsövek csatlakoztatására szolgáló, rézből és rézötvezetből készült varrat nélküli csövek anyaga C1220 foszforréz legyen. Győződjön meg arról, hogy a csövek belső része tiszta, és nem tartalmaz semmilyen káros szennyező anyagot, például kénvegyületeket, oxidálószereket, törmelékét vagy port. Az előírt falvastagságú csöveket használjon. (Lásd 4.1. pont.) Ha olyan már meglévő csöveket szeretne újra felhasználni, amelyekben korábban R22 hűtőközeg volt, jegyezze meg az alábbiakat:
  - Cserélje ki a meglévő hollandi anyákat, és peremezze újra a peremes részeket.
  - Ne használjon vékony falú csöveket. (Lásd 4.1. pont.)
- A szereléshez használandó csöveket beltérben tárolja, és mindkét végüket tartsa ledugózva egészen a forrasztásig. (A könnyököket stb. hagyja addig a csomagolásukban.) Ha por, törmelék vagy nedvesség kerül a hűtőközegcsövekbe, károsodhat az olaj, vagy tönkremehet a kompresszor.
- Alkalmazzon észterolajat, éterolajat vagy alkilbenzololajat (kis mennyiségben) klímajelként a hollandianyás szakaszokon. Ha az ásványolajat keveri a hűtőgépölajjal, károsodhat az olaj.

- Szervizelni kizárólag a gyártó ajánlásának megfelelően lehet.
- Kizárólag R32 hűtőközeget használjon, más ne. Ha másik hűtőközeget használ, a klór az olaj romlását okozza.
- Használja az alábbi, kifejezetten R32 hűtőközeghez tervezett szerszámokat. Az R32 hűtőközeghez az alábbi szerszámokra van szükség. Ha bármilyen kérdése lenne, forduljon a legközelebbi forgalmazóhoz.

Szerszámok (R32 hűtőközeghez)	
Mérőórás csaptelep	Peremező szerszám
Feltöltő tömlő	Méretbeállító idomszer
Gázszivárgás-érzékelő	Vákuumszivattyú-adapter
Nyomatékkulcs	Elektronikus hűtőközeg-feltöltő mérleg

- Ügyeljen a megfelelő szerszámok használatára. Ha por, törmelék vagy nedvesség kerül a hűtőközegcsövekbe, károsodhat a hűtőgépölaj.

# 2. A telepítési hely kiválasztása

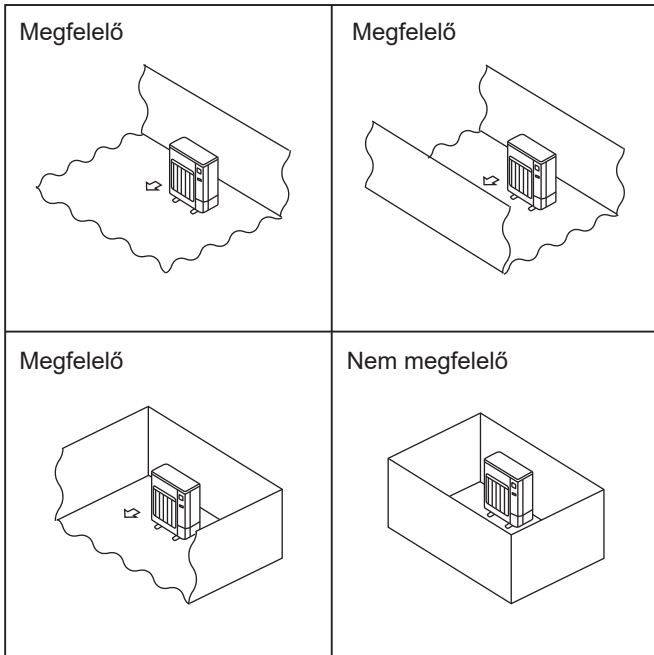


Fig. 2-1

## 2.1. Kültéri egység

- Mivel az R32 nehezebb a levegőnél és más hűtőközegeknél, hajlamos felgyülni a talprészénél (a padló közelében). Ha az R32 felgyűl az aljzatnál, kisebb terű helyiségekben gyűlékony koncentrációba sűrűsödhet. A meggyulladás elkerülése végett megfelelő szellőztetéssel kell gondoskodni a munkakörnyezet biztonságáról. Ha a hűtőközeg szivárgását észleli egy olyan helyiségben vagy területen, ahol nincs megfelelő szellőztetés, tartózkodjon a nyílt láng használatától mindaddig, amíg ki nem alakítja a megfelelő szellőztetést.
  - Ahol nincs kitéve erős szélnek.
  - Ahol megfelelő és pormentes a légáramlás.
  - Ha nem okozza a készülék rövidciklusú működését.
  - Ahol a szomszédokat nem zavarja az egység üzemi zaja vagy a meleg levegő.
  - Ahol a merev fal vagy alátámasztás miatt nem nő az üzemi zaj vagy a vibráció.
  - Ahol nem áll fenn éghető gázok szivárgásának a kockázata.
  - Ha az egységet magasban kell felszerelni, feltétlenül rögzíteni kell a lábait.
  - Ahol legalább 3 m távolságra vannak a televízió- vagy rádióantennák. (Ellenkező esetben a képet zavarná vagy zaj keletkezne.)
  - Olyan területre szerelje, ahol nem érheti hőesés vagy hófúvás. Nagyon havas helyeken szereljen fel ponyvát, állványt és/vagy valamiféle terelőlapot.
  - Az egységet vízszintesen szerelje fel.
  - A hűtőközegcsövek csatlakoztatásának karbantartási célból hozzáférhetőnek kell lennie.
- Ⓞ A kültéri egységeket olyan helyre kell felszerelni, ahol legalább a négy oldal egyike nyitott, és kellően nagy, bemélyedések nélküli tér áll rendelkezésre. (Fig. 2-1)

### ⚠ VIGYÁZAT:

Kerülje a következő telepítési helyeket, ahol a levegő-víz hőszivattyúval problémák lehetnek.

- Ahol túl sok a gépolaj.
- Sós környezetben, például tengerparti területeken.
- Hőforrások közelében.
- Ahol kén-hidrogén van jelen.
- Egyéb különleges légköri viszonyok esetén.

Fűtés üzemmódban a kültéri egységben kondenzvíz jön létre. Úgy válassza meg a telepítés helyét, hogy a kültéri egységet és/vagy a talajt ne nedvesítse a kondenzvíz vagy károsodjon a fagyott kondenzvíztől.

## 2. A telepítési hely kiválasztása

### 2.2. Minimális kiépítési terület

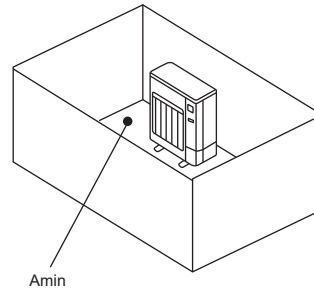
Ha elkerülhetetlen, hogy a készüléket olyan térben szerelje fel, ahol mind a négy oldal el van torlaszolja, vagy mélyedések találhatóak az oldalakon, győződjön meg arról, hogy fennáll a következő helyzetek valamelyike (A, B vagy C).

**Megjegyzés: Ezek az óvintézkedések a biztonságot és nem az előírásoknak megfelelő működést szavatolják.**

A) Biztosítson elegendő teret a telepítéshez (minimális telepítési terület, Amin).

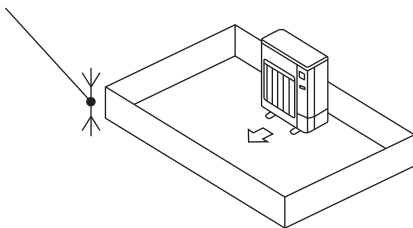
A telepítést legalább Amin területű vagy annál tágasabb térben hajtsa végre, M hűtőközeg-mennyiségnek megfelelően (gyárilag betöltött hűtőközeg + helyben hozzáadott hűtőközeg).

M [kg]	Amin [m <sup>2</sup> ]
1,0	12
1,5	17
2,0	23
2,5	28
3,0	34
3,5	39
4,0	45
4,5	50
5,0	56
5,5	62
6,0	67
6,5	73
7,0	78
7,5	84

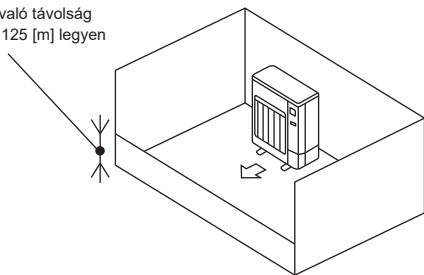


B) Olyan térbe telepítse, ahol a bemélyedés magassága  $\leq 0,125$  [m].

A tér aljától való távolság  
legfeljebb 0,125 [m] legyen



A tér aljától való távolság  
legfeljebb 0,125 [m] legyen

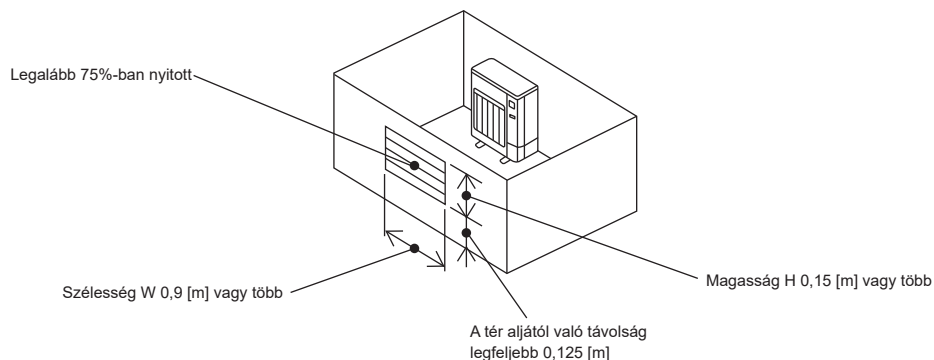


C) Gondoskodjon megfelelő nyitott térről a szellőztetéshez.

Győződjön meg arról, hogy a nyitott tér szélessége legfeljebb 0,9 [m] és magassága legfeljebb 0,15 [m].

Ugyanakkor a telepítési tér alja és a nyitott tér alsó széle között legfeljebb 0,125 [m] távolság lehet.

A nyitott tér legalább 75%-ban nyitott kell legyen.



**Megjegyzés: A beltéri egység esetén az R32 hűtőközeg használatára vonatkozóan nincsenek telepítési korlátozások. Kérjük, tekintse meg a beltéri egység telepítési útmutatóját, és ellenőrizze a szükséges kiépítési területet.**

### 3. Telepítési ábra

#### 3.1. Kültéri egység (Fig. 3-1)

##### Szellőzés és hozzáférhetőség

- Ⓐ 100 mm vagy több
- Ⓑ 350 mm vagy több
- Ⓒ 500 mm vagy több

Ha a csővezeték fémeket (őnozott) vagy fémhálót tartalmazó falra kell rögzíteni, vegyi kezelésen átesett legalább 20 mm vastag fadarabokat kell a fal és a csővezeték közé helyezni, vagy a csőre 7 – 8 menetben vinil szigetelőszalagot kell tekerni.

Az egységeket kizárólag engedéllyel rendelkező vállalkozó telepítheti a helyi szabályozó rendelkezések szerint.

- SUZ-SWM80VA2, SUZ-SWM80VAH2, SUZ-SWM100VA, SUZ-SWM100VAH, SUZ-SHWM60VAH

##### Megjegyzés:

Ha a levegő-víz hőszivattyú alacsony külső hőmérsékletek mellett üzemel, feltétlenül tartsa be az alábbi utasításokat.

- Ne telepítse a kültéri egységet olyan helyre, ahol a levegőbemenet/kimenet felőli oldalát közvetlenül szél érheti.
- A szélnek való kitétség megelőzése érdekében szerelje fel a kültéri egységet úgy, hogy a levegőbemenete a fal felé nézzen.
- A szélnek való kitétség megelőzése érdekében szereljen terelőlapot a kültéri egység levegőbemeneti oldala elé.

- SUZ-SWM30VA, SUZ-SWM40VA2, SUZ-SWM60VA2, SUZ-SHWM30VAH, SUZ-SHWM40VAH

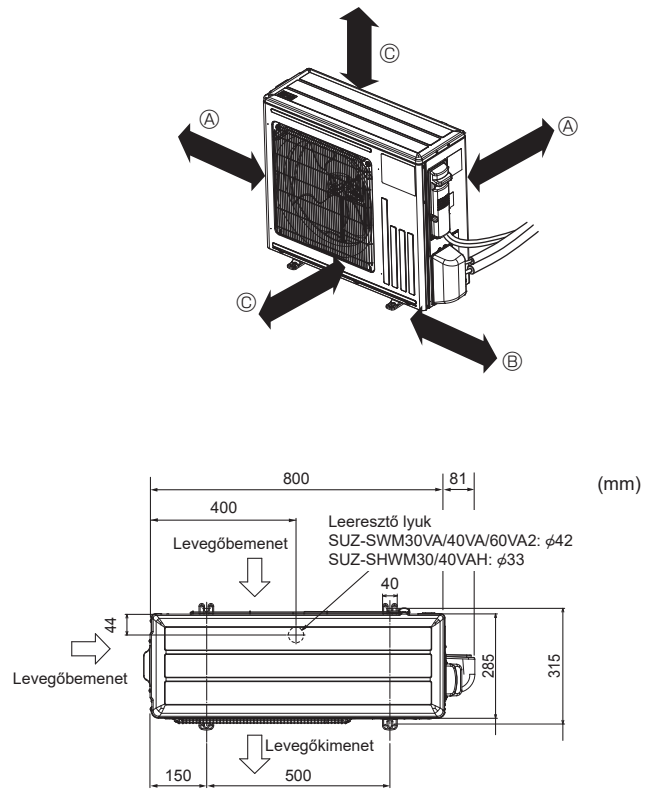
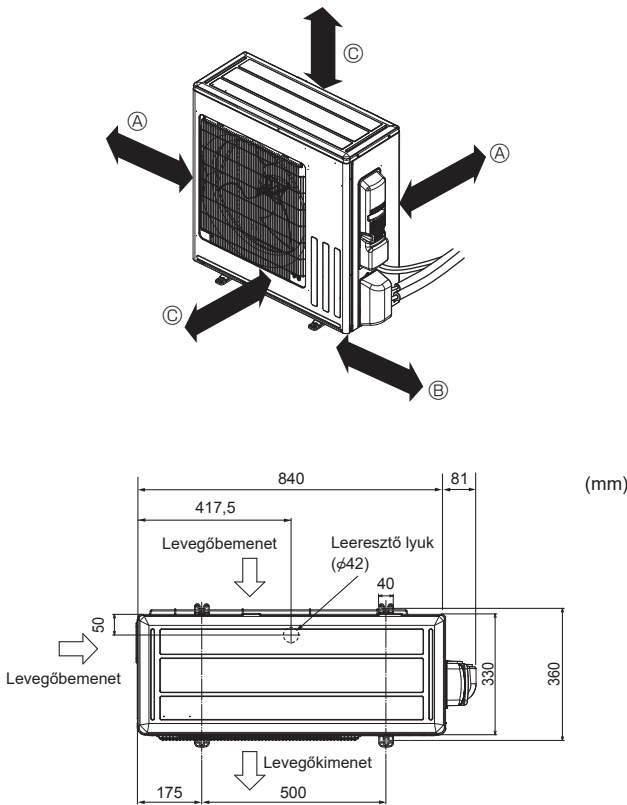


Fig. 3-1

### 4. A kültéri egység elvezető csővezetékei (Fig. 4-1)

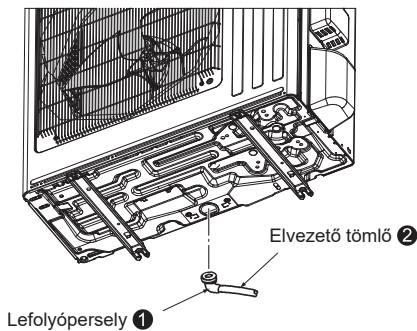


Fig. 4-1

#### 4.1. Tartozékok

A telepítés megkezdése előtt ellenőrizze a következő alkatrészeket.

<Kültéri egység>

1	Lefolyópersely	1
---	----------------	---

- Az elvezető csővezetékét alakítsa ki a beltéri és a kültéri csőbekötés előtt. (A lefolyóperselyt 1 nehezen lehet beszerezni, ha a bel- és kültéri csővezetékek csatlakozását még az elvezető csővezeték felszerelése előtt kialakították, mivel a kültéri egység mozgathatatlanul válik.)
- Csatlakoztassa az elvezető tömlőt 2 (szakboltban vásárolható, belső átmérője: 15 mm) a vízlevezetéshez az ábrán látható módon.
- A megfelelő elfolyáshoz biztosítson lejtést az elvezető tömlőn.

##### Megjegyzés:

Hideg területeken ne használja a 1 lefolyóperselyt. A megfagyott kondenzvíz megállítja a ventilátort.

A lefolyópersely az SHWM sorozat esetén nem tartozék.



## 5. Hűtőközegcső munkálatok

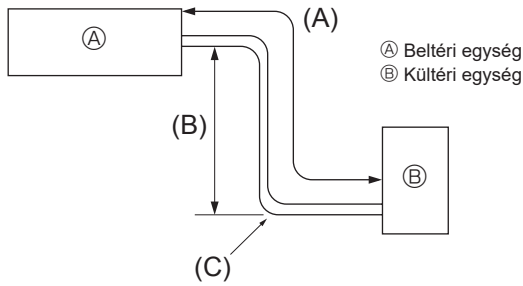


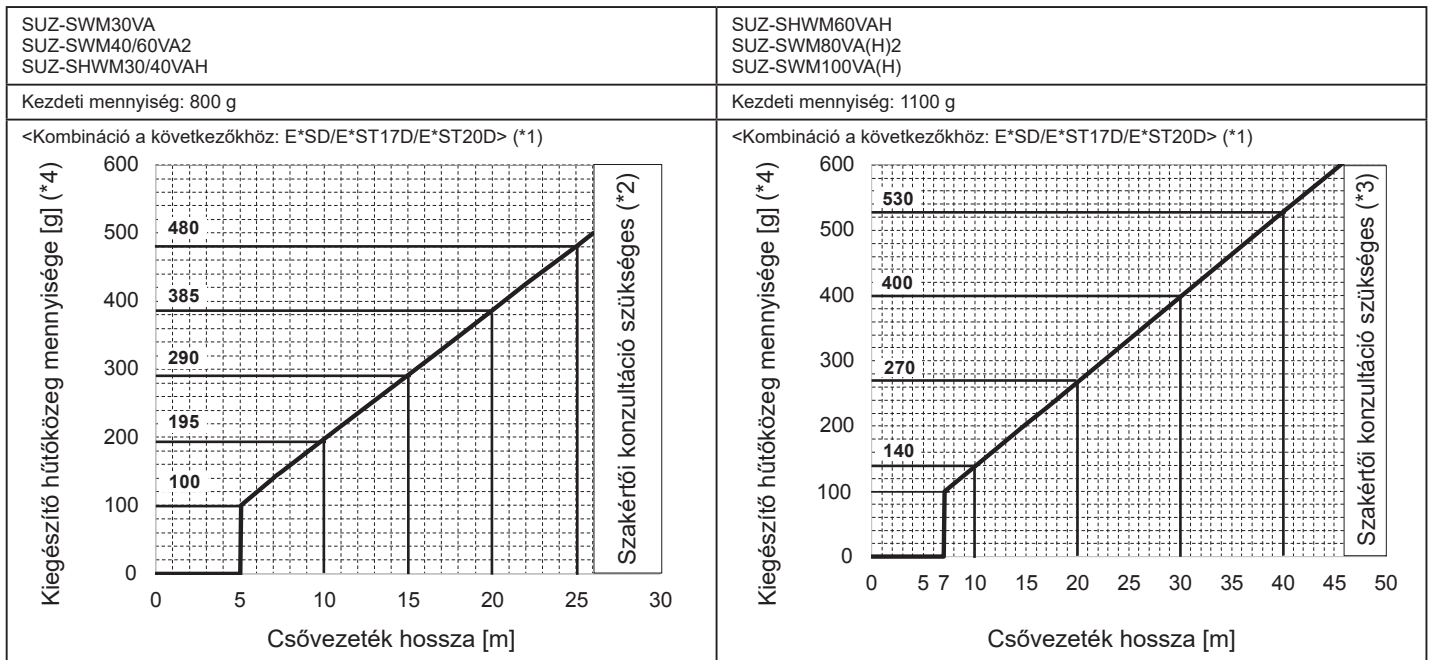
Fig. 5-1

### 5.1. Hűtőközegcső (Fig. 5-1)

► Ellenőrizze, hogy a beltéri és kültéri egységek magassága közötti különbség, a hűtőközegcső hossza és a csőben lévő hajlatok száma az alábbi határértékeken belül van-e.

Modellek	(A) Csővezeték hossza (egy irányban)	(B) Magasságkülönbség	(C) A hajlatok száma (egy irányban)
SUZ-SWM30VA	2 m - 26 m	Max. 26 m	Legfeljebb 10
SUZ-SHWM30VAH			
SUZ-SWM40VA2			
SUZ-SHWM40VAH			
SUZ-SWM60VA2	2 m - 46 m	Max. 30 m	
SUZ-SHWM60VAH			
SUZ-SWM80VA(H)2			
SUZ-SWM100VA(H)			

• A magasságkülönbség határértéke kötelező érvényű, mindegy, hogy a kültéri vagy a beltéri egység van-e magasabban.



\*1. Az E\*ST30D-hez való csatlakozás esetén MINDIG adjon 50 g-ot a kiegészítő töltethez, a grafikonoknak megfelelően.

\*2. 26 m-nél hosszabb csővezetékhez konzultáljon szakértőnkkel.

\*3. 46 m-nél hosszabb csővezetékhez konzultáljon szakértőnkkel.

\*4. Teljes újratöltés esetén; kezdeti + kiegészítő hűtőközeg mennyisége

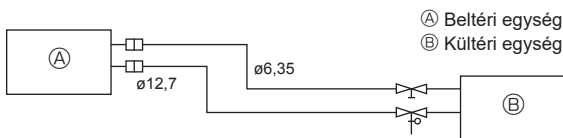


Fig. 5-2

(1) Az alábbi táblázat a kereskedelemben kapható csövek specifikációit mutatja be. (Fig. 5-2)

Modell	Cső	Külső kerület		Min. fal vastagsága	Szigetelés vastagsága	Szigetelés anyaga
		mm	hüvelyk			
Minden modell	Folyadékknak	6,35	1/4	0,8 mm	8 mm	Hőálló műanyag
	Gáznak	12,7	1/2	0,8 mm	8 mm	szivacs, 0,045-ös fajsúlyú

(2) A kondenzáció elkerülése végett győződjön meg arról, hogy a 2 hűtőközegcső szigetelése megfelelő.

(3) A hűtőközegcső hajlítási sugara legalább 100 mm legyen.

### ⚠ VIGYÁZAT:

Végezzen alapos szigetelést a megadott vastagságú anyaggal. A túlzott vastagság megakadályozza a beltéri egység mögötti tárolást, míg a túl vékony anyag kondenzvíz kialakulását okozza.

- A meggyulladás megelőzése érdekében gondoskodjon megfelelő szellőztetésről. Ezenkívül a tűzvédelmi intézkedések végrehajtásával győződjön meg arról, hogy nincsenek veszélyes vagy gyúlékony tárgyak a környező területen.
- R32-vel való utántöltés karbantartáskor: A szerviz során R32-vel való utántöltés előtt a villamos szikrák miatti robbanás veszélyének elkerülése érdekében ügyeljen arra, hogy a berendezés csatlakozója egészen biztosan ki legyen húzva a hálózati aljzatból.
- A szigetelőanyagoknak a következő előírásoknak kell megfelelniük.
  - (1) Hővezetési sebesség: 0,040 W/mK vagy kisebb
  - (2) Szigetelés vastagsága: 9 mm vagy több
  - (3) Hőállóság: 110 °C vagy magasabb
 Amennyiben a külső csővezeték hossza meghaladja 15 m-t, a szigetelés vastagságának 18 mm-nek vagy annál vastagabbnak kell lennie.

## 5. Hűtőközegcső munkálatok

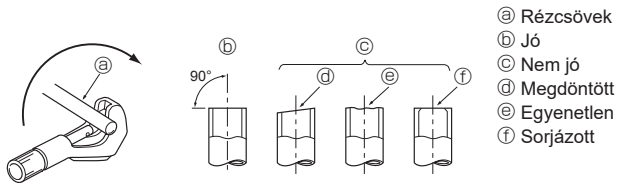


Fig. 5-3

- Ⓐ Rézcsövek
- Ⓑ Jó
- Ⓒ Nem jó
- Ⓓ Megdöntött
- Ⓔ Egyetlen
- Ⓕ Sorjázott

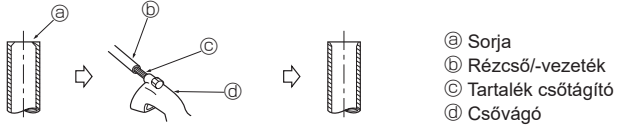


Fig. 5-4

- Ⓐ Sorja
- Ⓑ Rézcső/-vezeték
- Ⓒ Tartalék csőtágító
- Ⓓ Csővágó



Fig. 5-5

- Ⓐ Hollandi anya
- Ⓑ Rézcső

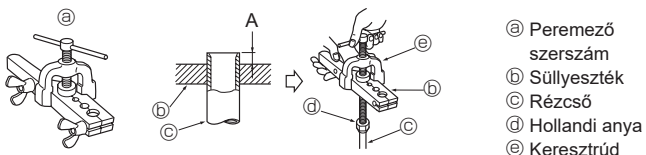


Fig. 5-6

- Ⓐ Peremező szerszám
- Ⓑ Süllyeszték
- Ⓒ Rézcső
- Ⓓ Hollandi anya
- Ⓔ Keresztrúd

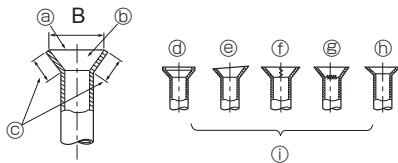


Fig. 5-7

### 5.2. Peremezés

- A gázszivárgás fő oka a peremezés hibája.
- Hajtsa végre a peremezést a következő eljárással.

#### 5.2.1. Csővágás (Fig. 5-3)

- Csővágó használatával vágja el megfelelően a rézcsövet.

#### 5.2.2. Sorják eltávolítása (Fig. 5-4)

- Sorjázza le teljesen a cső/vezeték levágott keresztmetszetét.
- A rézcső/-vezeték száját tartsa a sorjázáskor lefelé, hogy ne kerüljön a csőbe/vezetékbe sorja.

#### 5.2.3. Az anya felszerelése (Fig. 5-5)

- Szerelje le a beltéri és a kültéri egységre szerelt hollandi anyákat, majd helyezze vissza a csőre/vezetékre a sorjázás eltávolítása után.
- (A peremezést követően már nincs erre lehetőség.)

#### 5.2.4. Peremezés (Fig. 5-6)

- Hajtsa végre a peremezést a balra látható peremezőeszkővel.

Cső átmérője (mm)	Méret	
	A (mm)	B <sup>+0</sup> <sub>-0,4</sub> (mm)
	Az R32-höz tartozó eszköz használatokor Tengelykapcsolós típus	
6,35	0 - 0,5	9,1
9,52	0 - 0,5	13,2
12,7	0 - 0,5	16,6
15,88	0 - 0,5	19,7

Tartsa szilárdan a rézcsövet egy, a fenti táblázatban feltüntetett méretű hézagolóban.

#### 5.2.5. Ellenőrzés (Fig. 5-7)

- Hasonlítsa össze a peremezést a balra látható ábrával.
- Ha a perem láthatóan hibás, vágja le a peremezett részt, és készítse el újra a peremet.

- Ⓐ Minden oldalról sima
- Ⓑ A belseje fényes, karcmentes
- Ⓒ Körkörösen azonos hossz
- Ⓓ Túl sok
- Ⓔ Megdöntött
- Ⓕ A peremezett síkon karcolások
- Ⓖ Repedt
- Ⓗ Egyetlen
- Ⓘ Rossz példák

- A csövek ülőfelületét vonja be vékonyan klímaolajjal. (Fig. 5-8)
- A bekötéshez először igazítsa középre, majd hajtsa rá az első 3-4 menetnyit kézzel a hollandi anyát.
- A beltéri egység oldalsó csatlakozóinak meghúzásánál alkalmazza a lenti táblázat értékeit, és használjon két kulcsot. A nagy meghúzási nyomaték károsíthatja a peremet.

Külső átm. rézcső (mm)	Külső átm. hollandi anya (mm)	Meghúzási nyomaték (Nm)
ø6,35	17	14 - 18
ø9,52	22	34 - 42
ø12,7	26	49 - 61
ø15,88	29	68 - 82

### ⚠ FIGYELMEZTETÉS:

Az egység telepítése során a kompresszor elindítása előtt csatlakoztassa biztonságosan a hűtőközegcsöveket.

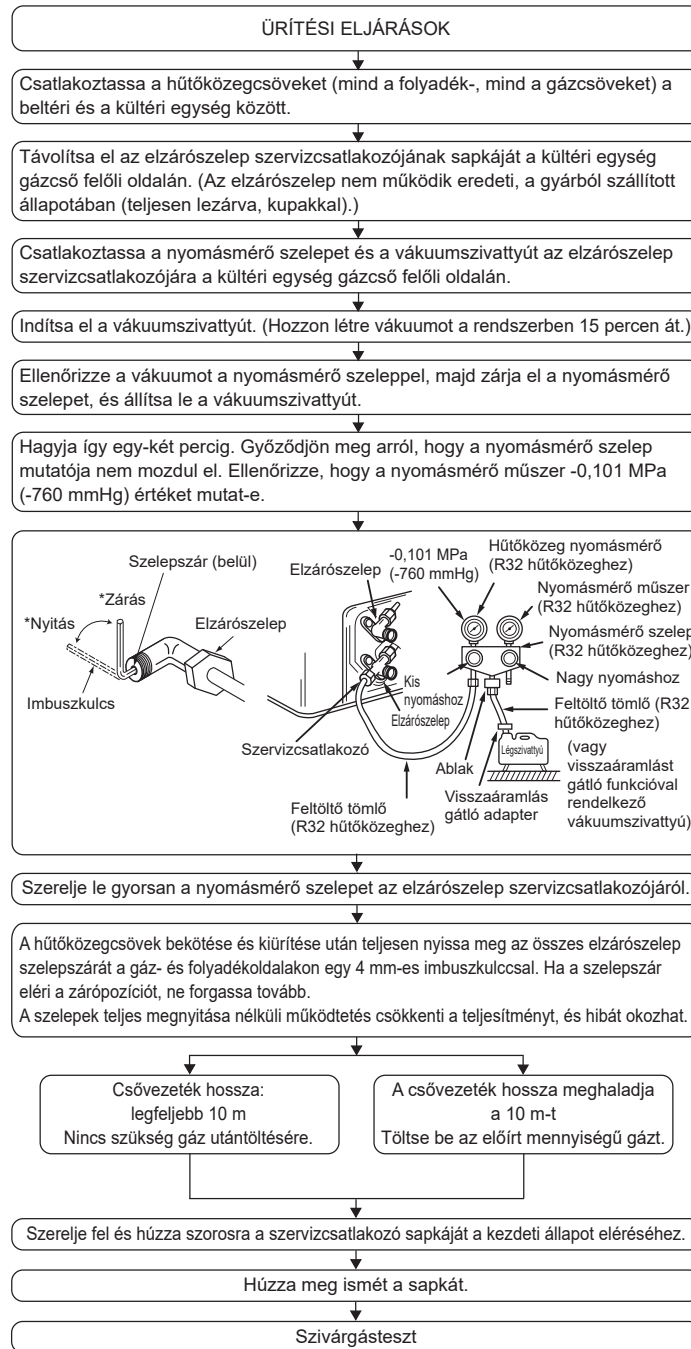
### ⚠ FIGYELMEZTETÉS:

Járjon el óvatosan, mert a hollandi anya kirepülhet! (belső nyomás alatt) A hollandi anyát a következőképpen távolítsa el:

1. Lazítsa meg az anyát, amíg sziszegő hangot nem hall.
2. Ne távolítsa el az anyát, amíg a gáz teljesen ki nem árad (a sziszegő zaj megszűnik).
3. Ellenőrizze, hogy a gáz teljesen ki van-e engedve, majd távolítsa el az anyát.

## 5. Hűtőközegcső munkálatok

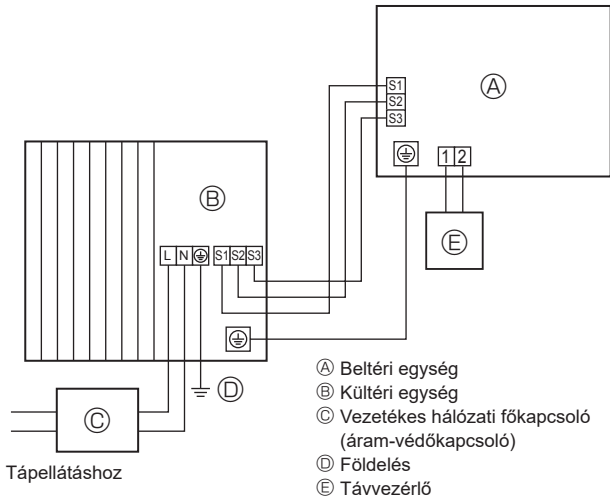
### 5.3. Ürítési eljárások és szivárgástereszt



## 6. Elektromos bekötés

### 6.1. Kültéri egység (Fig. 6-1, Fig. 6-2, Fig. 6-3)

- ① Távolítsa el a szerelőnyílás-fedelelet.
  - ② Csatlakoztassa a huzalokat a Fig. 6-1, Fig. 6-2 és Fig. 6-3 szerint.
- SUZ-SHWM60VAH, SUZ-SWM80VA(H)2, SUZ-SWM100VA(H)



- SUZ-SHWM30/40VAH, SUZ-SWM30VA, SUZ-SWM40/60VA2

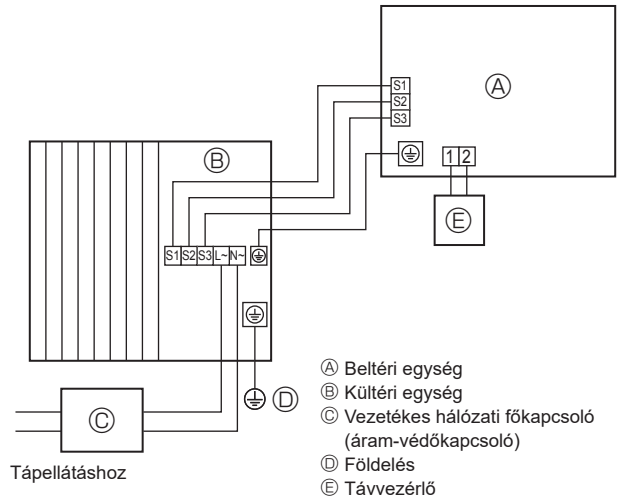


Fig. 6-1

Beltéri érintkezőblokk

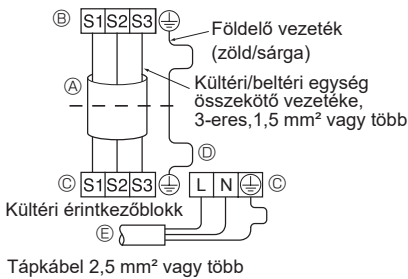


Fig. 6-2

- SUZ-SWM30VA, SUZ-SWM40VA2, SUZ-SWM60VA2, SUZ-SHWM30VAH, SUZ-SHWM40VAH

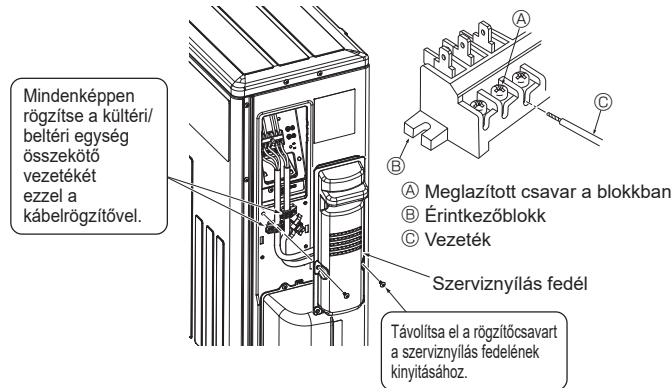


Fig. 6-3

- A vezetékvezést a bal oldalon lent található ábra szerint végezze el. (A kábelt helyben szerezzé be) (Fig. 6-2)
- Ügyeljen arra, hogy a kábeleket csak a megfelelő polaritással használja.

- A Összekötő kábel
- B Beltéri érintkezőblokk
- C Kültéri érintkezőblokk
- D Mindig a többi kábelnél hosszabb földelőkábel használjon.
- E Tápvezeték
- F Vezeték

- A földelő vezetéket hagyja kicsit hosszabbra a többinél. (Több mint 100 mm)
- A későbbi szervizeléshez hagyja kicsit hosszabbra az összekötő vezetékeket.
- A vezetékek bekötésekor és fizikai rögzítésekor feltétlenül minden csavart a saját helyére szereljen vissza.

- Kösse be megfelelően a beltéri egységből jövő kábelt az érintkezőblokkba.
- Ugyanazt az érintkezőblokkot és polaritást használja, mint a beltéri egységen.
- A későbbi karbantartás megkönnyítése érdekében hagyja hosszabbra az összekötő vezetéket.

- Az összekötő vezeték (hosszabbító kábel) mindkét végét csupaszítsa meg. Ha túl hosszú, vagy ha a közepénél elvágvá kell összekötni, akkor csupaszítsa meg a tápkábelt az ábrán megadott méretezés szerint.
- Ügyeljen arra, hogy az összekötő vezeték ne kerüljön érintkezésbe a csővezetékekkel.

### ⚠ VIGYÁZAT:

- Gondosan ügyeljen, hogy elkerülje a nem megfelelő bekötést.
- Húzza meg szorosan az érintkezőblokk csavarjait, hogy ne lazulhassanak ki.
- Ha ezzel végzett, húzogassa meg vezetékeket, nem mozdulnak-e meg.

### ⚠ FIGYELMEZTETÉS:

- Biztonságosan szerelje fel a kültéri egység szerviznyílásának fedelét. Ha nincs megfelelően rögzítve, a bekerülő por, víz stb. miatt tüzet vagy áramütést okozhat.
- Szorítsa meg megfelelően az érintkezőblokk csavarjait.
- Úgy végezze a vezetékvezést, hogy a tápkábelek ne legyenek megfeszítve. Ellenkező esetben melegeedés vagy tűz jöhet létre.

## 6. Elektromos bekötés

### 6.2. Huzalok bekötése a helyszínen

Kültéri egység modell	SUZ-SHWM30VAH/40VAH SUZ-SWM30VA/40VA2/60VA2	SUZ-SHWM60VAH SUZ-SWM80VA(H)2/SWM100VA(H)
A kültéri egység tápfeszültsége	~N (egy fázis), 50 Hz, 230 V	~N (egy fázis), 50 Hz, 230 V
A kültéri egység bemeneti áramerőssége, főkapcsoló (megszakító)	*1 16 A	20 A
Huzalozás, a vezetékek száma x keresztmetszete (mm <sup>2</sup> )	A kültéri egység tápfeszültsége	2 x min. 2,5
	Kültéri egység táphálózati földelése	1 x min. 2,5
	Beltéri egység - kültéri egység	3 x 1,5 (polarizált)
Névleges feszültség	Beltéri egység - kültéri egység földelése	1 x min. 1,5
	Kültéri egység, L-N	*2 230 VAC
	Beltéri egység - kültéri egység S1-S2	*2 230 VAC
	Beltéri egység - kültéri egység S2-S3	*2 12 VDC – 24 VDC

\*1. Használjon minden pólusánál legalább 3 mm-es elválasztási távolságot biztosító megszakítót. Használjon érintésvédelmi relét (NV).

Ellenőrizze, hogy az éppen használt érintésvédelmi relé érzékeny-e a magasabb harmonikusokra is.

Mindig olyan érintésvédelmi relét használjon, amely érzékeny a magasabb harmonikusokra is, mert az egységben inverter is található.

Ha nem megfelelő megszakítót használ, az az inverter hibás működéséhez vezethet.

\*2. A számok NEM mindig a földeléssel szemben értendőek.

Az S3 kapocs értéke 24 VDC az S2 kapocssal szemben. Ugyanakkor az S3 és S1 között a kapcsok NINCSENEK elektromosan szigetelve a transzformátor vagy más eszköz segítségével.

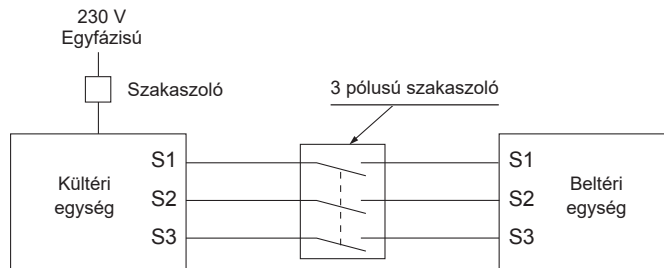
**Megjegyzések:** 1. A bekötési méreteknek meg kell felelniük az alkalmazandó helyi és országos kódoknak.

2. A tápkábelek és a beltéri/ kültéri egység csatlakozóvezetékei nem lehetnek kisebb keresztmetszetűek, mint a polikloroprén szigetelésű rugalmas kábel. (60245 IEC 57 típus)

3. Használjon a többi kábelnél hosszabb földelőkábel.

4. A tápkábel huzaljaiként önoltó elosztókábeleket használjon

5. A huzalokat úgy vezesse, hogy ne érjenek a félemelek éleire vagy a csavarok hegyéhez.



### ⚠ FIGYELMEZTETÉS:

Nagy feszültség van az S3 kapocsponton a villamos áramkör oly módon történt kialakítása miatt, hogy nincs villamos szigetelés a tápvonal és a kommunikációs vonal között. Ezért szervizeléskor kapcsolja ki a tápfeszültséget. Amikor az egység áram alatt van, ne érjen az S1, S2 és S3 kapocspontokhoz. Ha a beltéri és a kültéri egység között szakaszolót kell használni, hárompólusú típust használjon.

Soha ne alkalmazzon kábelösszekötést a tápkábelhez vagy a beltéri-kültéri csatlakozókábelhez, mert füstöt, tüzet vagy kommunikációs hibát okozhat.

A beltéri-kültéri csatlakozókábeleket közvetlenül az egységekbe kösse be (ne köztes csatlakozókba).

A köztes csatlakozók kommunikációs hibát okozhatnak, ha víz kerül a kábelekkbe, és emiatt elégtelenné válik a föld felé a szigetelés, vagy rossz minőségűvé a köztes csatlakozópontnál az érintkezés.

## 7. Karbantartás

### 7.1. Gázfeltöltés (Fig. 7-1)

1. Csatlakoztassa a gázpalackot az elzárószelep szervizcsatlakozójára (3 utas).
2. Végezze el a hűtőközeg gázpalackjából érkező cső (vagy tömlő) légtelenítését.
3. Töltse fel a berendezést a meghatározott mennyiségű hűtőközeggel, miközben a levegő-víz hőszivattyút hűtés üzemmódban működteti.

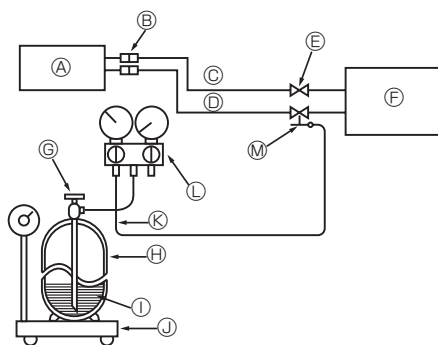
**Megjegyzés:**

Mindig pontosan annyi hűtőközeggel töltse be, amennyi az adott hűtési ciklushoz elő van írva.

### ⚠ VIGYÁZAT:

- Ne engedje ki a hűtőközeggel a légkörbe. Ügyeljen arra, hogy ne engedjen ki hűtőközeggel a légkörbe a telepítés, áthelyezés vagy a hűtőkör javítása során.
- További töltés esetén a hűtőközeggel folyadék halmazállapotban töltse át a gázpalackból. Ha a hűtőközeggel gáz halmazállapotban tölti át a gáztartályból, akkor a hűtőközeg összetétele megváltozhat a hengerben és a kültéri egységben. Ebben az esetben a hűtési ciklus hatásfoka lecsökkenhet vagy lehetetlenné válhat a normál működés. A folyékony hűtőközeg egyszerre történő feltöltése azonban blokkolhatja a kompresszort. Ezért a hűtőfolyadékot lassan töltse át.

A gázpalack túlnyomásának megőrzése érdekében hideg időben melegítse a gázpalackot meleg (40°C alatti) vízzel. Soha ne használjon nyílt lángot vagy gőzt!



- |  |   |
|--|---|
| (A) Beltéri egység                       | (H) Hűtőközeg gázpalack R32 hűtőközeggel, szifonnal |
| (B) Egyesítés                            | (I) Hűtőközeg (folyadék)                            |
| (C) Folyadékcső                          | (J) Elektronikus mérleg a hűtőközeg betöltéséhez    |
| (D) Gázcső                               | (K) Feltöltő tömlő (R32 hűtőközeggel)               |
| (E) Elzárószelep                         | (L) Nyomásmérő szelep (R32 hűtőközeggel)            |
| (F) Kültéri egység                       | (M) Szervizcsatlakozó                               |
| (G) Hűtőközeg gázpalack működtető szelep |   |

Fig. 7-1

## 8. Vízcső munkálatok

### 8.1. Minimális vízmennyiség

Lásd a beltéri egység szerelési utasítását.

### 8.2. Elérhető tartomány (vízáramlási sebesség, visszatérő vízhőmérséklet)

A vízkörben biztosítsa a következő vízáramlási sebességet és visszatérési hőmérsékleti tartományt.

Ezek a görbék a vízmennyiséghez kapcsolódnak.

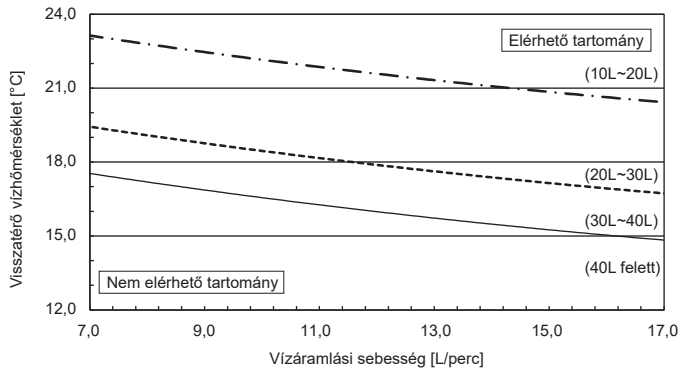
#### ■ Fűtés

SUZ-SWM30VA SUZ-SHWM30VAH

SUZ-SWM40VA2 SUZ-SHWM40VAH

SUZ-SWM60VA2

Belépő víz minimális hőmérséklete a rendszer vízmennyiségétől függően

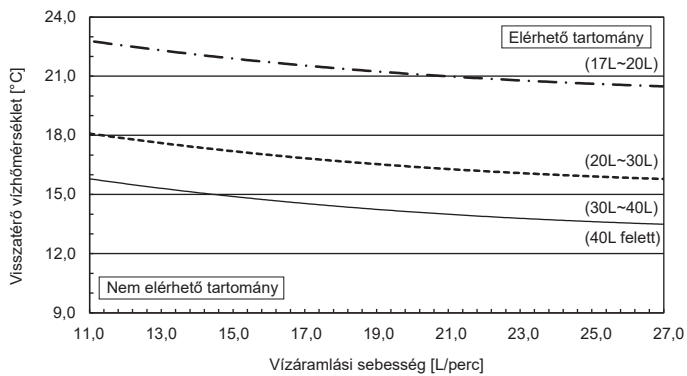


SUZ-SWM80VA(H)2

SUZ-SWM100VA(H)

SUZ-SHWM60VAH

Belépő víz minimális hőmérséklete a rendszer vízmennyiségétől függően



#### Megjegyzés:

- Kerülje el a nem elérhető tartományt kiolvasztás közben.

Ellenkező esetben a kültéri egység kiolvasztása nem lesz megfelelő és/vagy a beltéri egység hőcserélője megfagyhat.

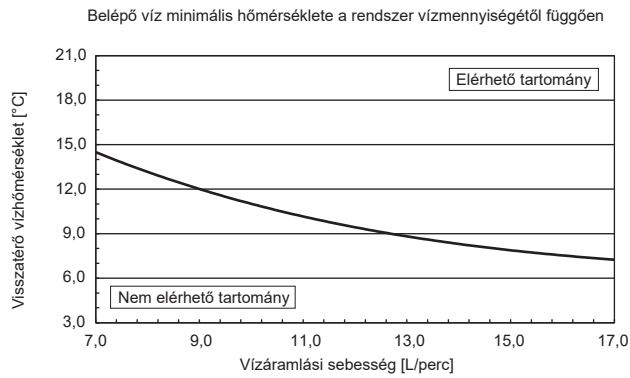
- Az áramlási hőmérséklet SOSEM lehet alacsonyabb 32°C-nál, ha a kültéri hőmérséklet -15°C alá csökken.

Fennáll a hőcserélő lemez elfagyásának és sérülésének kockázata, valamint a kültéri hőcserélőn fagyréteg képződhet az elégtelen jégmentesítés miatt.

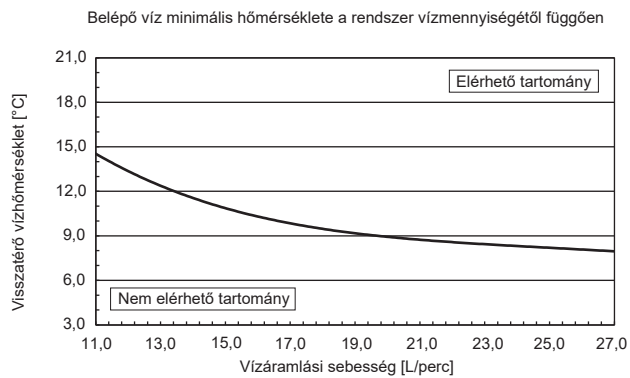
## 8. Vízcső munkálatok

### ■ Hűtés

SUZ-SWM30VA SUZ-SHWM30VAH  
SUZ-SWM40VA2 SUZ-SHWM40VAH  
SUZ-SWM60VA2



SUZ-SWM80VA(H)2  
SUZ-SWM100VA(H)  
SUZ-SHWM60VAH



#### Megjegyzés:

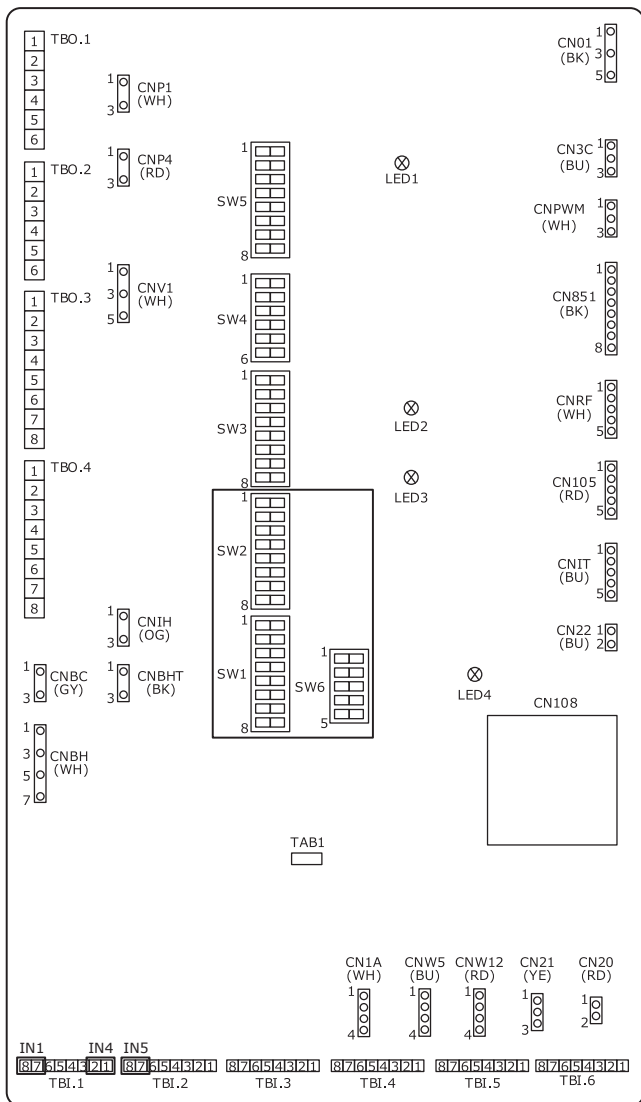
Kerülje el a nem elérhető tartományt kiolvasztás közben.

Ellenkező esetben a kültéri egység kiolvasztása nem lesz megfelelő és/vagy a beltéri egység hőcserélője megfagyhat.

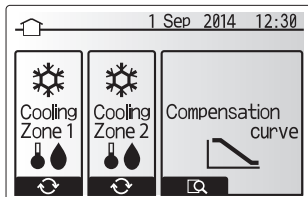
## 9. Szivattyúzás

A kültéri egység áthelyezése vagy selejtezésekor a rendszert az alábbi eljárás szerint le kell szivattyúzni, hogy ne kerülhessen hűtőközeg a környezetbe.

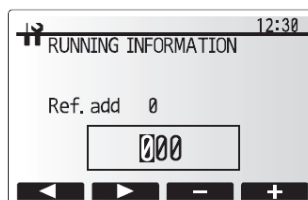
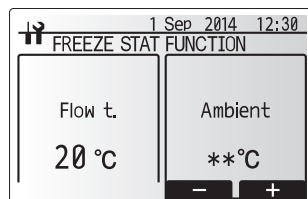
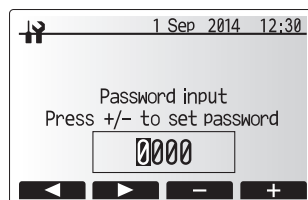
- ① Kapcsolja ki az összes ellátóáramkört (beleértve a beltéri egységet, melegítőt, kültéri egységet stb.)
- ② Csatlakoztassa a nyomásmérő szelepet az elzárószelep szervizcsatlakozójára a kültéri egység gázcső felőli oldalán.
- ③ Zárja el teljesen az elzárószelepet a kültéri egység folyadékcső felőli oldalán.
- ④ Módosítsa a beltéri egység beállításait.
  - Állítsa az SW1-3 DIP-kapcsolót OFF (Ki), az SW2-1 kapcsolót OFF (Ki), az SW2-4 kapcsolót ON (Be) és az SW6-3 kapcsolót OFF (Ki) állásba a beltéri vezérlőtáblán.
  - Kösse le az IN1 (szobai termosztát 1. bemenet), IN4 (igény szerinti vezérlés bemenet) és az IN5 (külső termosztátbemenet) jelbemeneteket.



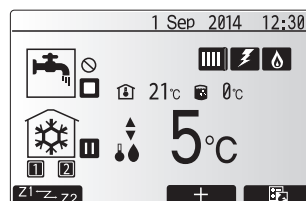
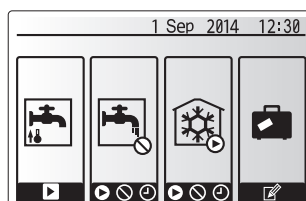
- ⑤ Kapcsolja be a teljes tápellátó áramkört.
- ⑥ A beltéri egység fővezérlőjének főmenüjéből válassza ki a „Heating/cooling mode” (Melegítés/hűtés üzemmód) → „Cooling flow temp.” (Hűtőáram hőm.) elemet.



- ⑦ A főmenüben válassza a „Service” (Szerviz) lehetőséget, és módosítsa a beállítást az alábbiak szerint. A rendszer kérni fogja a jelszót. AZ ALAPÉRTELMEZETT GYÁRI JELSZÓ „0000”.
  - Válassza az „Operation settings” (Működésbeállítás) → „Freeze stat function” (Befagyás-megelőzési funkció) lehetőséget, majd állítsa a minimális kültéri környezeti hőmérsékletet \*(csillag) értékre.
  - Válassza a „Running information” (Működési információ) lehetőséget, majd állítsa a Reference address (Referenci cím) beállítás értékét 351-re.



- ⑧ Végezze el a hűtőközeg-összegyűjtés műveletet.
    - Nyomja meg az „ON/OFF” (Be/Ki) gombot a fővezérlőn.
    - Az opció menüből állítsa be a „Cooling ON” (Hűtés be) értéket.
    - Állítsa be a céláramlás hőmérsékletet 5 °C értékre. Ha a rendszert szobahőmérséklet termosztát vezérli, állítsa be a cél szobahőmérsékletet 10 °C értékre.
- A hűtőközeg-összegyűjtés művelet 60 másodperc után elindul.
- A fővezérlő beállításaira vonatkozó részletes és az egyéb információkért tekintse meg a beltéri egység telepítési kézikönyvét vagy használati kézikönyvét.



Folytatás a következő oldalon.



## 9. Szivattyúzás

- ⑨ Zárja el teljesen az elzárószelepet a kültéri egység gázcső felőli oldalán, ha a nyomásmérő 0,05–0 MPa [Gauge] (kb. 0,5–0 kgf/cm<sup>2</sup>) értéket mutat, és gyorsan állítsa le a kültéri egységet.
- Nyomja meg a távvezérlő „ON/OFF” (Be/Ki) gombját a kültéri egység leállításához.
  - \* Megjegyzés: Ha a csőtoldal nagyon hosszú és sok hűtőközeg van benne, akkor előfordulhat, hogy nem lehet elvégezni a leszivattyúzást. Ebben az esetben hűtőközeg-kinyerő berendezéssel gyűjtse össze a rendszerben található összes hűtőközeget.
- ⑩ Állítsa vissza a fővezérlő fenti ⑨ eljárásban módosított beállítását.
- ⑪ Nyomja meg 3 másodpercig a beltéri egység fővezérlőjén az „ON/OFF” (Be/Ki) gombot az egység leállításához.
- ⑫ Állítsa vissza a fővezérlő ⑨ eljárástól különböző eljárásokban módosított beállításait.
- \* A „Running information” (Működési információ) visszaállítása: Állítsa a Reference address (Referenciacím) beállítás értékét 350-re.
- ⑬ Kapcsolja ki a teljes tápellátó áramkört, és állítsa vissza a DIP-kapcsolók beállításait a korábbi beállításokra a beltéri áramköri lapon.
- ⑭ Távolítsa el a nyomásmérő szelepet, majd válassza le a hűtőközegcsöveket.



### FIGYELMEZTETÉS:

Ha a hűtőkör szivárog, a kompresszorral **NE** végezzen leürítést.

A hűtőközeg szivattyúzásánál állítsa le a kompresszort, mielőtt lekötne a hűtőközegcsöveket.

- Ha a hűtőközegcsövek nincsenek csatlakoztatva, miközben a kompresszor működik és az elzárószelep (golyóscsap) nyitva van, akkor a nyomás különösen megnőhet a hűtési ciklusban, ha levegőt szív be a rendszer, ami a csövek megrepedéséhez, személyi sérüléshez stb. vezethet.



### VIGYÁZAT:

**NE** használja ezt a HÜTÉS módot, ha a készüléket olyan beltéri egységhez csatlakoztatja, amely a leürítésen kívül más célból nem támogatja a HÜTÉS módot.

## 10. Műszaki adatok

Kültéri modell		SUZ-SWM30VA	SUZ-SHWM30VAH	SUZ-SWM40VA2	SUZ-SHWM40VAH	SUZ-SWM60VA2
Tápellátás	V / Fázis / Hz	230 / Egy / 50				
Méretek (Sz × Ma × Mé)	mm	800 × 714 × 285				
Hangteljesítményszint (Fűtés)	*1 dB(A)	57	57	57	58	60
	*2 dB(A)	54	54	54	55	56

Kültéri modell		SUZ-SHWM60VAH	SUZ-SWM80VA(H)2	SUZ-SWM100VA(H)
Tápellátás	V / Fázis / Hz	230 / Egy / 50		
Méretek (Sz × Ma × Mé)	mm	840 × 880 × 330		
Hangteljesítményszint (Fűtés)	*1 dB(A)	60	60	62
	*2 dB(A)	58	59	60

\*1. Névleges működési hőmérséklet, 7 °C (kültéri) / 6 °C (beltéri) és 55 °C-os kimeneti vízhőmérséklettel mérve

\*2. Az EN12102-nek megfelelően, az EN14825 feltételeinek betartásával mérve

EU DECLARATION OF CONFORMITY  
EU-KONFORMITÄTSEKTLÄRUNG  
DÉCLARATION DE CONFORMITÉ UE  
EU-CONFORMITEITSVERKLARING  
DECLARACIÓN DE CONFORMIDAD UE  
DICHIARAZIONE DI CONFORMITÀ UE  
ΔΗΛΩΣΗ ΣΥΜΜΟΡΦΩΣΗΣ ΕΕ  
DECLARAÇÃO DE CONFORMIDADE UE  
EU-OVERENSSTEMMELSESEKTLÆRING

EG-DEKLARATION OM ÖVERENSSTÄMMELSE  
AB UYGUNLUK BEYAN  
ДЕКЛАРАЦИЯ СООТВЕТСТВИЯ НОРМАМ ЕС  
ДЕКЛАРАЦІЯ ВІДПОВІДНОСТІ ВИМОГАМ ЄС  
ЕС ДЕКЛАРАЦІЯ ЗА СЪОТВЕТСТВИЕ  
DEKLARACJA ZGODNOŚCI UE  
EU-ERKLÆRING OM SAMSVAR  
EU-VAATIMUSTENMUKAISUUSVAKUUTUS  
EU PROHLÁŠENÍ O SHODĚ

EÚ VYHLÁSENIE O ZHODE  
EU MEGFELELŐSÉGI NYILATKOZAT  
IZJAVA EU O SKLADNOSTI  
DECLARAȚIE DE CONFORMITATE UE  
EL-I VASTAVUSDEKLARATSIOON  
ES ATBILSTĪBAS DEKLARĀCIJA  
ES ATITIKTIES DEKLARACIJA  
EU IZJAVA O SUKLADNOSTI  
EU IZJAVA O USAGLAŠENOSTI

**MITSUBISHI ELECTRIC CONSUMER PRODUCTS (THAILAND) CO., LTD**  
**700/406 MOO 7, TAMBON DON HUA ROH, AMPHUR MUANG, CHONBURI 20000, THAILAND**

hereby declares under its sole responsibility that the air conditioner(s) and heat pump(s) for use in residential, commercial, and light-industrial environments described below:  
erklärt hiermit auf seine alleinige Verantwortung, dass die Klimaanlage(n) und Wärmepumpe(n) für das häusliche, kommerzielle und leichtindustrielle Umfeld wie unten beschrieben:  
déclare par la présente et sous sa propre responsabilité que le(s) climatiseur(s) et la/les pompe(s) à chaleur destinés à un usage dans des environnements résidentiels, commerciaux et d'industrie légère décrits ci-dessous :

verklaart hierbij onder eigen verantwoordelijkheid dat de voor huishoudelijke, handels- en lichtindustriële omgevingen bestemde airconditioner(s) en warmtepomp(en) zoals onderstaand beschreven:

por la presente declara, bajo su exclusiva responsabilidad, que el(los) acondicionador(es) de aire y la(s) bomba(s) de calor previsto(s) para su uso en entornos residenciales, comerciales y de industria ligera que se describen a continuación:

conferma con la presente, sotto la sua esclusiva responsabilità, che i condizionatori d'aria e le pompe di calore destinati all'utilizzo in ambienti residenziali, commerciali e semi-industriali e descritti di seguito:

με το παρόν δηλώνει με αποκλειστική ευθύνη ότι το ή τα κλιματιστικά και η ή οι αντλίες θερμότητας για χρήση σε οικιακά, εμπορικά και επαγγελματικά περιβάλλοντα που περιγράφονται παρακάτω:

declara pela presente, e sob sua exclusiva responsabilidade, que o(s) aparelho(s) de ar condicionado e a(s) bomba(s) de calor destinados a utilização em ambientes residenciais, comerciais e de indústria ligeira descritos em seguida:

erklærer hermed under eneansvar, at det/de herunder beskrevne airconditionanlæg og varmepumpe(r) til brug i beboelses- og erhvervs miljøer samt i miljøer med let industri:

intyggar härmed att luftkonditioneringarna och värmepumparna som beskrivs nedan för användning i bostäder, kommersiella miljöer och lätta industriella miljöer:

ev, ticaret ve hafif sanayi ortamlarında kullanıma yönelik aşağıda açıklanan klima ve ısıtma pompalarıyla ilgili aşağıdaki hususları yalnızca kendi sorumluluğunda olmak üzere beyan eder:

настоящим заявляет под свою исключительную ответственность, что кондиционер (-ы) и тепловой (-ые) насос (-ы) для использования в описанных ниже жилых, коммерческих и небольших складских и промышленных помещениях:

цим заявляю, беручи на себе повну відповідальність за це, що кондиціонер (-и) й тепловий (-и) насос (-и), описані нижче й призначені для використання в житлових приміщеннях, торговельних залах і на підприємствах легкої промисловості:

декларира с настоящата на своя собствена отговорност, че климатикъ(т)е и термомпата(ите), посочени по-долу и предназначени за употреба в жилищни, търговски и лекопромишлени среди:

niniejszym oświadczam na swoją wyłączną odpowiedzialność, że klimatyzatory i pompy ciepła do zastosowań w środowisku mieszkalnym, handlowym i lekko przemysłowym opisane poniżej:

erklærer et fullstendig ansvar for undernevnte klimaapparat og varmepumper ved bruk i boliger, samt kommersielle og lettindustrielle miljøer:

vakuuttaa täten yksinomaista vastuutaan, että jäljempänä kuvutat asuinrakennuksiin, pienteeollisuuskäyttöön ja kaupalliseen käyttöön tarkoitettuihin ilmastointilaitteisiin ja lämpöpumpuihin:

tímto na vlastní odpovědnost prohlašuji, že níže popsané klimatizační jednotky a tepelná čerpadla pro použití v obytných prostředích, komerčních prostředích a prostředích lehkého průmyslu:

týmto na svoju výlučnú zodpovednosť vyhlasuje, že nasledovné klimatizačné jednotky a tepelné čerpadlá určené na používanie v obytných a obchodných priestoroch a v prostredí ľahkého priemyslu:

alulírott kizárólagos felelősségére nyilatkozik, hogy az alábbi lakossági, kereskedelmi és kisipari környezetben való használatra szánt klímaberendezés(ek) és hőszivattyú(k):

na lastno odgovornost izjavlja, da so spodaj opisane klimatske naprave in toplotne črpalke, namenjene za uporabo v stanovanjskih, poslovnih in lahkoindustrijskih okoljih:

declară prin prezenta, pe proprie răspundere, faptul că aparatele de climatizare și pompele de căldură descrise mai jos și destinate utilizării în medii rezidențiale, comerciale și din industria ușoară:

kinnitab oma ainuvastutustel, et allpool toodud elu-, äri- ja kergtööstuskeskkondades kasutamiseks mõeldud kliimaseadmed ja soojuspumbad:

ar šo, vienpersoniski uzņemoties atbildību, paziņo, ka tālāk aprakstītais(-tie) gaisa kondicionētājs(-i) un siltumsūkņis(-i) ir paredzēti lietošanai dzīvojamajās, komercdarbības un vieglās rūpniecības telpās, kas aprakstītas tālāk:

šiuo vien tik savo atsakomybe pareiškia, kad toliau apibūdintas (-i) oro kondicionierius (-iai) ir šilumos siurblys (-iai), skirtas (-i) naudoti toliau apibūdintose gyvenamosiose, komercinėse ir lengvosios pramonės aplinkose:

ovime izjavljuje pod isključivom odgovornošću da je/su klimatizacijski uređaji(i) i toplinska dizalica(e) opisan(i) u nastavku namijenjen(i) za upotrebu u stambenim i poslovnim okruženjima te okruženjima lake industrije:

ovim izjavljuje na svoju isključivu odgovornost da su klima-uređaji i toplotne pumpe za upotrebu u stambenim, komercijalnim okruženjima i okruženjima lake industrije opisani u nastavku:

**MITSUBISHI ELECTRIC, SUZ-SWM30VA\*, SUZ-SWM40VA\*, SUZ-SWM60VA\*, SUZ-SWM80VA\*, SUZ-SWM100VA\***  
**SUZ-SHWM30VAH\*, SUZ-SHWM40VAH\*, SUZ-SHWM60VAH\*, SUZ-SWM80VAH\*, SUZ-SWM100VAH\***  
**\* : , , 1, 2, 3, , , , 9**

is/are in conformity with provisions of the following Union harmonisation legislation.  
die Bestimmungen der folgenden Harmonisierungsrechtsvorschriften der Union erfüllen/

erfüllen.  
est/sont conforme(s) aux dispositions de la législation d'harmonisation de l'Union

suivante.  
voldoet/voldoen aan bepalingen van de volgende harmonisatiewetgeving van de Unie.

cumple(n) con las disposiciones de la siguiente legislación de armonización de la Unión.

sono in conformità con le disposizioni della seguente normativa dell'Unione sull'armonizzazione.

συμμορφώνονται με τις διατάξεις της ακόλουθης νομοθεσίας εναρμόνισης της Ένωσης.

está/estão em conformidade com as disposições da seguinte legislação de harmonização da União.

er i overensstemmelse med bestemmelserne i følgende harmoniserede EU-lovgivning.

uppfyller villkoren i följande harmoniserade föreskrifter inom unionen.

აşağıdaki Avrupa Birliği uyumlaştırma mevzuatının hükümlerine uygundur.

соответствуют положениям следующих законодательных актов Союза о гармонизации.

2014/35/EU: Low Voltage Directive  
2006/42/EC: Machinery Directive  
2014/30/EU: Electromagnetic Compatibility Directive  
2011/65/EU, (EU) 2015/863 and (EU) 2017/2102: RoHS Directive  
2009/125/EC: Energy-related Products Directive and Regulation (EU) No 813/2013

відповідають положенням вказаного далі законодавства Союзу щодо гармонізації.  
е/са в съответствие с разпоредбите на следното законодателство на Съюза за

хармонизация.  
są zgodne z przepisami następującego unijnego prawodawstwa harmonizacyjnego.

er i samsvar med forskriftene til følgende EU-lovgivning om harmonisering.

ovat seuraavan unionin yhdenmukaistamislainsäädännön säännösten mukaisia.

jsou v souladu s ustanoveními následujících harmonizačních právních předpisů Unie.

spĺňajú ustanovenia nasledujúcich harmonizovaných noriem EÚ.

megfelel(nek) az Unió alábbi harmonizációs jogszabályi előírásainak.

in skladu z določbami naslednje usklajevalne zakonodaje Unije.

sunt în conformitate cu dispozițiile următoare legislații de armonizare a Uniunii.

vastavad järgmiste Euroopa Liidu ühtlustatud õigusaktide sätetele.

atbilst šādiem ES harmonizētajiem tiesību aktu noteikumiem.

taip pat atitinka kitų toliau išvardytų suderintųjų Sąjungos direktyvų nuostatas.

sukladan(i) odredbama sljedećeg zakonodavstva Unije za sukladnost.

u skladu sa odredbama sledećeg usklađivanja zakonodavstva Unije.

## <ENGLISH>

English is original. The other languages versions are translation of the original.

### ▲ CAUTION

- Refrigerant leakage may cause suffocation. Provide ventilation in accordance with EN378-1.
- Be sure to wrap insulation around the piping. Direct contact with the bare piping may result in burns or frostbite.
- Never put batteries in your mouth for any reason to avoid accidental ingestion.
- Battery ingestion may cause choking and/or poisoning.
- Install the unit on a rigid structure to prevent excessive operation sound or vibration.
- The A-weighted sound pressure level is below 70dB.
- This appliance is intended to be used by expert or trained users in shops, in light industry and on farms, or for commercial use by lay persons.

## <DEUTSCH>

Das Original ist in Englisch. Die anderen Sprachversionen sind vom Original übersetzt.

### ▲ VORSICHT

- Wenn Kältemittel austritt, kann dies zu Erstickten führen. Sorgen Sie in Übereinstimmung mit EN378-1 für Durchlüftung.
- Die Leitungen müssen isoliert werden. Direkter Kontakt mit nicht isolierten Leitungen kann zu Verbrennungen oder Erfrierungen führen.
- Nehmen Sie niemals Batterien in den Mund, um ein versehentliches Verschlucken zu vermeiden.
- Durch das Verschlucken von Batterien kann es zu Erstickungen und/oder Vergiftungen kommen.
- Installieren Sie das Gerät auf einem stabilen Untergrund, um übermäßige Betriebsgeräusche oder -schwingungen zu vermeiden.
- Der A-gewichtete Schalldruckpegel ist niedriger als 70dB.
- Dieses Gerät ist vorgesehen für die Nutzung durch Fachleute oder geschultes Personal in Werkstätten, in der Leichtindustrie und in landwirtschaftlichen Betrieben oder für die kommerzielle Nutzung durch Laien.

## <FRANÇAIS>

L'anglais est l'original. Les versions fournies dans d'autres langues sont des traductions de l'original.

### ▲ PRECAUTION

- Une fuite de réfrigérant peut entraîner une asphyxie. Fournissez une ventilation adéquate en accord avec la norme EN378-1.
- Assurez-vous que la tuyauterie est enveloppée d'isolant. Un contact direct avec la tuyauterie nue peut entraîner des brûlures ou des engelures.
- Ne mettez jamais des piles dans la bouche pour quelque raison que ce soit pour éviter de les avaler par accident.
- Le fait d'ingérer des piles peut entraîner un étouffement et/ou un empoisonnement.
- Installez l'appareil sur une structure rigide pour prévenir un bruit de fonctionnement et une vibration excessifs.
- Le niveau de pression acoustique pondéré est en dessous de 70 dB.
- Cet appareil est conçu pour un utilisateur expert ou les utilisateurs formés en magasin, dans l'industrie légère et dans l'agriculture ou dans le commerce par le profane.

## <NEDERLANDS>

Het Engels is het origineel. De andere taalversies zijn vertalingen van het origineel.

### ▲ VOORZICHTIG

- Het lekken van koelvloeistof kan verstikking veroorzaken. Zorg voor ventilatie in overeenstemming met EN378-1.
- Isoleer de leidingen met isolatiemateriaal. Direct contact met de onbedekte leidingen kan leiden tot brandwonden of bevriezing.
- Stop nooit batterijen in uw mond om inslikking te voorkomen.
- Het inslikken van batterijen kan verstikking of vergiftiging veroorzaken.
- Installeer het apparaat op een stabiele structuur om overmatig lawaai of trillingen te voorkomen.
- Het niveau van de geluidsdruk ligt onder 70 dB(A).
- Dit apparaat is bedoeld voor gebruik door ervaren of opgeleide gebruikers in werkplaatsen, in de lichte industrie en op boerderijen, of voor commercieel gebruik door leken.

## <ESPAÑOL>

El idioma original del documento es el inglés. Las versiones en los demás idiomas son traducciones del original.

### ▲ CUIDADO

- Las pérdidas de refrigerante pueden causar asfixia. Se debe proporcionar la ventilación determinada en EN378-1.
- Asegúrese de colocar el aislante alrededor de las tuberías. El contacto directo con la tubería puede ocasionar quemaduras o congelación.
- Para evitar una ingestión accidental, no coloque las pilas en su boca bajo ningún concepto.
- La ingestión de las pilas puede causar asfixia y/o envenenamiento.
- Coloque la unidad en una estructura rígida para evitar que se produzcan sonidos o vibraciones excesivos debidos a su funcionamiento.
- El nivel de presión acústica ponderado A es inferior a 70 dB.
- Este aparato está destinado a su uso por parte de usuarios expertos o capacitados en talleres, industrias ligeras y granjas, o a su uso comercial por parte de personas no expertas.

## <ITALIANO>

Il testo originale è redatto in lingua Inglese. Le altre versioni linguistiche rappresentano traduzioni dell'originale.

### ▲ ATTENZIONE

- Le perdite di refrigerante possono causare asfissia. Prevedere una ventilazione adeguata in conformità con la norma EN378-1.
- Accertarsi di applicare materiale isolante intorno alle tubature. Il contatto diretto con le tubature non schermate può provocare ustioni o congelamento.
- Non introdurre in nessun caso le batterie in bocca onde evitare ingestioni accidentali.
- L'ingestione delle batterie può provocare soffocamento e/o avvelenamento.
- Installare l'unità su una struttura rigida in modo da evitare rumore o vibrazioni eccessivi durante il funzionamento.
- Il livello di pressione del suono ponderato A è inferiore a 70dB.
- Questa apparecchiatura è destinata all'utilizzo da parte di utenti esperti o addestrati in negozi, industria leggera o fattorie oppure a un uso commerciale da parte di persone non esperte.

## <ΕΛΛΗΝΙΚΑ>

Η γλώσσα του πρωτοτύπου είναι η αγγλική. Οι εκδόσεις άλλων γλωσσών είναι μεταφράσεις του πρωτοτύπου.

### ▲ ΠΡΟΣΟΧΗ

- Η διαρροή του ψυκτικού ενδέχεται να προκαλέσει ασφυξία. Φροντίστε για τον εξαερισμό σύμφωνα με το πρότυπο EN378-1.
- Φροντίστε να τυλίξετε με μονωτικό υλικό τη σωλήνωση. Η απευθείας επαφή με τη γυμνή σωλήνωση ενδέχεται να προκαλέσει εγκαυματα ή κρυοπαγήματα.
- Μη βάζετε ποτέ τις μπαταρίες στο στόμα σας για κανένα λόγο ώστε να αποφύγετε την κατά λάθος κατάποσή τους.
- Η κατάποση μπαταριών μπορεί να προκαλέσει πνιγμό ή/και δηλητηρίαση.
- Εγκαταστήστε τη μονάδα σε σταθερή κατασκευή ώστε να αποφύγετε τον έντονο ήχο λειτουργίας ή τους κραδασμούς.
- Η Α-σταθμισμένη στάθμη ηχητικής πίεσης είναι κάτω των 70dB.
- Η Α-σταθμισμένη στάθμη ηχητικής πίεσης είναι κάτω των 70dB.
- Η συσκευή αυτή προορίζεται για χρήση από εμπειρογούς ή εκπαιδευμένους χρήστες σε καταστήματα, στην ελαφριά βιομηχανία και σε αγροκτήματα, ή για εμπορική χρήση από άτομα τα οποία δεν είναι ειδήμονες.

## <PORTUGUÊS>

O idioma original é o inglês. As versões em outros idiomas são traduções do idioma original.

### ▲ CUIDADO

- A fuga de refrigerante pode causar asfixia. Garanta a ventilação em conformidade com a norma EN378-1.
- Certifique-se de que envolve as tubagens com material de isolamento. O contacto directo com tubagens não isoladas pode resultar em queimaduras ou ulcerações provocadas pelo frio.
- Nunca coloque pilhas na boca, por nenhum motivo, para evitar a ingestão accidental.
- A ingestão de uma pilha pode causar obstrução das vias respiratórias e/ou envenenamento.
- Instale a unidade numa estrutura robusta, de forma a evitar ruídos ou vibrações excessivos durante o funcionamento.
- O nível de pressão sonora ponderado A é inferior a 70 dB.
- Este equipamento destina-se a ser utilizado por especialistas ou utilizadores com formação em lojas, na indústria ligeira e em quintas, ou para utilização comercial por leigos.

## <DANSK>

Engels er originalen. De andre sprogversioner er oversættelser af originalen.

### ▲ FORSIGTIG

- Lækage af kølemiddel kan forårsage kvælning. Sørg for udluftning i overensstemmelse med EN378-1.
- Sørg for at pakke rørene ind i isolering. Direkte kontakt med ubeklædte rør kan forårsage forbrændinger eller forfrysninger.
- Batterier må under ingen omstændigheder tages i munden for at forhindre utilsigtet indtagelse.
- Indtagelse af batterier kan forårsage kvælning og/eller forgiftning.
- Installer enheden på en fast struktur for at forhindre for høje driftslyde eller vibrationer.
- Det A-vægtede lydtrykniveau er under 70dB.
- Dette apparat er beregnet til at blive brugt af eksperter eller udlærte brugere i butikker, inden for let industri og på gårde eller til kommerciel anvendelse af lægmænd.

## <SVENSKA>

Engelska är originalspråket. De övriga språkversionerna är översättningar av originalet.

### ▲ FÖRSIKTIGHET

- Köldmedelsläckage kan leda till kvävning. Tillhandahåll ventilation i enlighet med EN378-1.
- Kom ihåg att linda isolering runt rören. Direktkontakt med bara rör kan leda till brännskador eller köldskador.
- Stoppa aldrig batterier i munnen, de kan sväljas av misstag.
- Om ett batteri sväljs kan det leda till kvävning och/eller förgiftning.
- Montera enheten på ett stadigt underlag för att förhindra höga driftljud och vibrationer.
- Den A-vägdade ljudtrycksnivån är under 70dB.
- Denna apparat är ämnad för användning av experter eller utbildade användare i affärer, inom lätt industri och på lanbruk, eller för kommersiell användning av lekmän.

## <TÜRKÇE>

Aslı İngilizce'dir. Diğer dillerdeki sürümler aslının çevirisidir.

### ▲ DİKKAT

- Soğutucu kaçağı boğulmaya neden olabilir. EN378-1 uyarınca uygun havalandırma sağlayın.
- Borular etrafına yalıtım yapıldığından emin olun. Borulara doğrudan çıplak elle dokunulması yanıklara veya soğuk ısırıklarına neden olabilir.
- Kazara yutmamak için, pilleri kesinlikle hiçbir amaçla ağzınızda tutmayın.
- Pillerin yutulması boğulmaya ve/veya zehirlenmeye yol açabilir.
- Aşırı çalıma seslerini veya titreşimi önlemek için, üniteyi sağlam bir yapı üzerine monte edin.
- A ağırıklı ses gücü seviyesi 70dB'nin altındadır.
- Bu cihaz tölöylerde, hafif endüstriyel tesislerde ve çiftliklerde uzman veya eğitimli kullanıcılar tarafından kullanılmak üzere veya normal kullanıcılar tarafından ticari kullanım için tasarlanmıştır.

## <РУССКИЙ>

Языком оригинала является английский. Версии на других языках являются переводом оригинала.

### ▲ ОСТОРОЖНО

- Утечка хладагента может стать причиной удушья. Обеспечьте вентиляцию в соответствии с EN378-1.
- Обязательно оберните трубы изоляционным материалом. Непосредственный контакт с неизолированным трубопроводом может привести к ожогам или обморожению.
- Запрещается класть элементы питания в рот по каким бы то ни было причинам во избежание случайного проглатывания.
- Попадание элемента питания в пищеварительную систему может стать причиной удушья и/или отравления.
- Устанавливайте устройство на жесткую структуру во избежание чрезмерного шума или чрезмерной вибрации во время работы.
- Уровень звукового давления по шкале A не превышает 70 дБ.
- Данное устройство предназначено для использования специалистами или обученным персоналом в магазинах, на предприятиях легкой промышленности и фермах или для коммерческого применения не-профессионалами.

## <УКРАЇНСЬКА>

Переклад оригіналу. Текст іншими мовами є перекладом оригіналу.

### ▲ ОБЕРЕЖНО

- Виток холодагента може призвести до удушся. Необхідно забезпечити вентиляцію відповідно до стандарту EN 378-1.
- Труби необхідно обмотати ізоляційним матеріалом. Прямий контакт із непокритою трубою може призвести до опіку або обмороження.
- Забороняється класти елементи живлення в рот із будь-яких причин, оскільки є ризик випадково їх проковтнути.
- Попадання елемента живлення в травну систему може стати причиною задхуки та/або отруєння.
- Встановлюйте блок на міцній конструкції, щоб уникнути надмірного рівня звуку роботи або вібрації.
- Рівень амплітудно зваженого акустичного тиску становить нижче 70 дБ.
- Цей прилад призначається для використання спеціалістами або особами, що пройшли відповідне навчання, у крамницях, легкій промисловості та сільськогосподарських підприємствах, а також для комерційного використання неспеціалістами.

## <БЪЛГАРСКИ>

Оригиналът е текстът на английски език. Версиите на други езици са преводи на оригинала.

### ▲ ВНИМАНИЕ

- Изтичането на хладилен агент може да причини задушаване. Осигурете вентилация съобразно с EN378-1.
- Не забравяйте да уветите изолация около тръбите. Директният контакт с оголени тръби може да причини изгаряне или измръзване.
- При никакви обстоятелства не поставяйте батериите в устата си, за да не ги поглънете по невнимание.
- Това може да доведе до задушаване и/или натравяне.
- Монтирайте тялото върху твърда конструкция, за да предотвратите прекомерен шум или вибрации по време на работа.
- А-претегленото ниво на звуково налягане е под 70 dB.
- Този уред е предназначен за използване от експерти или обучени потребители в магазини, в леката промисленост и във ферми, или за търговска употреба от неспециалисти.

## <POLSKI>

Językiem oryginału jest język angielski. Inne wersje językowe stanowią tłumaczenie oryginału.

### ▲ UWAGA

- Wyciek czynnika chłodniczego może spowodować uduszenie. Należy zapewnić wentylację zgodnie z normą EN378-1.
- Należy pamiętać, aby owinąć izolację wokół przewodów rurowych. Bezpośredni kontakt z niezabezpieczonymi przewodami rurowymi może doprowadzić do poparzeń lub odmrożeń.
- Nie wolno wkładać baterii do ust z jakiegokolwiek powodu, aby uniknąć przypadkowego połknięcia.
- Połknięcie baterii może spowodować zadławienie i/lub zatrucie.
- Zainstalować urządzenie na sztywnej konstrukcji, aby zapobiec nadmieremu hałasowi i wibracjom.
- Poziom dźwięku A nie przekracza 70 dB.
- W sklepach, w przemyśle lekkim i w gospodarstwach rolnych urządzenia powinni obsługiwać profesjonalni lub przeszkoleni użytkownicy, a w środowisku handlowym mogą to być osoby nieposiadające fachowej wiedzy.

## <NORSK>

Originalspråket er engelsk. De andre språkversjonene er oversettelser av originalen.

### ▲ FORSIKTIG

- Kjølemiddellekkasje kan forårsake kvelning. Sørg for ventilering i samsvar med EN378-1.
- Pass på at isoleringen pakkes godt rundt røret. Direkte kontakt med ukledte rør kan forårsake brannskader eller forfrysninger.
- Aldri plasser batteri i munnen, da dette kan medføre en risiko for at du svelger batteriet ved et uheld.
- Hvis du svelger et batteri, kan du risikere kvelning og/eller forgiftning.
- Installer enheten på en stabil struktur for å forhindre uønsket mye driftsstøy eller vibrering.
- Det A-vektede lydtryknivået er under 70 dB.
- Dette apparatet er ment for bruk av eksperter eller faglært personell i butikker, lettindustri og på gårder, eller for kommersielt bruk av ikke-fagmenn.

## <SUOMI>

Englanti on alkuperäinen. Muut kieliversiot ovat alkuperäiskappaleen käännöksiä.

### ▲ HUOMIO

- Vuotava kylmäaine voi aiheuttaa tukehtumisen. Ilmanvaihdon on oltava EN378-1-standardin mukainen.
- Kääri putken ympärille eristysmateriaalia. Paljaan putken koskettamisesta voi seurata palota-paletumavammoja.
- Älä koskaan laita paristoja suuhun, jotta et vahingossa nielaisisi niitä.
- Paristojen nieleminen voi aiheuttaa tukehtumisen ja/tai myrkytyksen.
- Asenna yksikkö tukeviin rakenteisiin, jotta sen käytöstä ei syntyisi ylimääräistä ääntä tai värinää.
- A-painotettu äänenpainetaso on alle 70 dB.
- Laitte on tarkoitettu asiantuntijoiden tai laitteelle koulutuksen saaneiden käyttöön kaupossa, piinteollisuudessa ja maataloilla tai maailloille kaupalliseen käyttöön.

## <ČEŠTINA>

Originál je v angličtině. Ostatní jazykové verze jsou překladem originálu.

### ▲ POZOR

- Únik chladicího média může způsobit udusění. Zajistěte větrání v souladu s normou EN 378-1.
- Okolo potrubí vždy omotejte izolací. Přímý kontakt s obnaženým potrubím může způsobit popálení nebo omrzliny.
- Nikdy nevkládejte baterie do úst, aby nedošlo k jejich polknutí.
- Polknutí baterie může způsobit zadušení a/nebo otrávu.
- Jednotku nainstalujte na pevnou konstrukci, aby nedocházelo ke vzniku nadměrného provozního hluku a vibrací.
- Hladina akustického tlaku A je nižší než 70 dB.
- Toto zařízení je určeno pro prodejny, lehký průmysl a farmy, kde je musí obsluhovat odborníci a školení uživatelé, a pro komerční použití, kde je mohou obsluhovat laici.

## <SLOVENČINA>

Překlad anglického originálu. Všetky jazykové verzie sú preložené z angličtiny.

### ▲ UPOZORNENIE

- Únik chladiva môže spôsobiť udusenie. Zabezpečte vetranie podľa normy EN 378-1.
- Nezabudnite potrubie obaliť izoláciou. Priamy kontakt s nezabaleným potrubím môže spôsobiť popáleniny alebo omrzliny.
- Baterie si nikdy z akéhokoľvek dôvodu nekladte do úst, aby nedošlo k ich náhodnému požitiu.
- Požitie batérií môže vyvolať dusenie a/alebo otrávu.
- Nainštalujte jednotku na pevný konštrukčný prvok, aby ste obmedzili nadmerný prevádzkový hluk a vibrácie.
- Hladina akustického tlaku A je nižšia ako 70 dB.
- Toto zariadenie je určené na používanie odborníkmi alebo zaškolenými používateľmi v komerčných priestoroch, v prostredí ľahkého priemyslu, na farmách, alebo na komerčné použitie bežnými používateľmi.

## <MAGYAR>

Az angol változat az eredeti. A többi nyelvű változat az eredeti fordítása.

### ▲ VIGYÁZAT

- A hűtőközeg szivárgása fulladást okozhat. Gondoskodjon az EN378-1 szabvány előírásai szerinti szellőzéseről.
- Feltétlenül szigetelje körbe a csöveket. A csupaszcso megérintése égési vagy fagyási sérülést okozhat.
- Ne vegyen a szájába elemet semmilyen célból, mert véletlenül lenyelheti!
- A lenyelt elem fulladást és/vagy mérgezést okozhat.
- A készüléket merev szerkezetre szerelje fel, hogy megakadályozza a túlzott üzemi zajt és vibrációt.
- Az A-súlyozott hangnyomásszint 70 dB alatt van.
- A készülék üzletet, a könnyűipar és gazdaságok szakértő vagy képzett felhasználói, valamint laikus felhasználók általi kereskedelmi használatra készült.

## <SLOVENŠČINA>

Izvirnik je v angleščini. Druge jezikovne različice so prevodi izvirnika.

### ▲ POZOR

- Puščanje hladiva lahko povzroči zadušitev. Zagotovite prezračevanje po standardu EN378-1.
- Cevi ovijte z izolacijo. Neposredni stik z golimi cevmi lahko povzroči opekline ali ozeblina.
- Nikoli in iz nobenega razloga ne vstavljajte baterij v usta, da jih po nesreči ne pogoltnete.
- Če baterije pogoltnete, se lahko zadužite in/ali zastupite.
- Enoto namestite na togo konstrukcijo, da preprečite pretiran zvok ali tresljaje med delovanjem.
- A-utežena raven zvočnega tlaka je pod 70 dB.
- Naprava je namenjena za uporabo s strani strokovnih ali ustrezno usposobljenih uporabnikov v trgovinah, lahki industriji in na kmetijah ter za komercialno uporabo s strani nestrokovnih uporabnikov.

## <ROMÂNĂ>

Textul original este în limba engleză. Versiunile pentru celelalte limbi sunt traduceri ale originalului.

### ▲ ATENȚIE

- Scurgerea de agent frigorific poate cauza asfixierea. Asigurați o ventilație corespunzătoare, conform standardului EN378-1.
- Asigurați-vă că înfășurați materialul izolator în jurul conductelor. Contactul direct cu conductele neizolate se poate solda cu arsuri sau degerături.
- Nu introduceți niciodată și pentru niciun motiv bateriile în gură, pentru a evita ingerarea accidentală a acestora.
- Ingerarea bateriilor poate cauza sufocarea și/sau intoxicația.
- Instalați unitatea pe o structură rigidă pentru a preveni producerea unui nivel excesiv de sunete sau vibrații.
- Nivelul de presiune acustică ponderată în A este mai mic de 70 dB.
- Acest aparat este destinat utilizării de către utilizatori specializați sau instruiți în cadrul spațiilor comerciale, spațiilor din cadrul industriei ușoare și al fermelor sau în scopuri comerciale de către nespecialiști.

## <EESTI>

Originaaljuhend on ingliskeelne. Muudes keeltes versioonid on originaali tõlked.

### ▲ ETTEVAATUST!

- Külmaaine leke võib põhjustada lämbumist. Tuulutamise standardi EN378-1 kohaselt.
- Mähkige torude ümber kindlasti isolatsiooni. Vahetu kontakt paljaste torudega võib põhjustada põletusi või külmaahjustusi.
- Hoiduge patareide tahtmatust allaneelamisest, ärge kunagi pange ühelgi põhjusel patareisid suhu.
- Patarei allaneelamine võib põhjustada lämbumist ja/või mürgitust.
- Paigaldage seade järgale struktuurile, et vältida ülemäärast tööheli ja vibreerimist.
- A-filtriga helirõhu tase on madalam kui 70 dB.
- Seade on mõeldud kasutamiseks asjatundjatele ja väljapoole läbinud kasutajatele poodides, kergtööstuses ja taludes ning kommertskasutuseks tavaisikute poolt.

## <LATVIŠKI>

Oriģināls ir angļu valodā. Versijas citās valodās ir oriģināla tulkojums.

### ▲ UZMANĪBU

- Aukstumaģenta noplūdes gadījumā pastāv nosmakšanas risks. Ir jānodrošina standartam EN378-1 atbilstoša ventilācija.
- Aptiniet caurules ar izolējošu materiālu. Pieskaroties neaptitām caurulēm, var būt apdegumus vai apsaldējumus.
- Aizliegts ievietot baterijas mutē; pastāv norīšanas risks.
- Bateriju norīšana var izraisīt aizrīšanas un/vai saindēšanos.
- Uzstādiet iekārtu uz izturīgas struktūras, lai izvairītos no pārlietu liela darbības trokšņa vai vibrācijas.
- A — izsvārotais skaņas spiediena līmenis ir mazāks par 70 dB.
- Šo iekārtu paredzēts lietot speciālistiem vai apmācītiem lietotājiem veikalos, vieglās rūpniecības telpās un lauksaimniecības fermās, kā arī to var lietot nespeciālisti komercālam vajadzībām.

## <LIETUVIŠKAI>

Originalas yra anglų k. Versijos kitomis kalbomis yra originalo vertimas.

### ▲ ATSARGIAI

- Dėl šaltnešio nuotėkio galima uždušti. Išvėdinkite patalpą pagal EN378-1.
- Būtinai vamzdelius apvyniokite izoliacija. Prisilietus prie plikų vamzdelių galima nusideginti arba nušalti.
- Siekdami išvengti atsitiktinio prarijimo, niekada nedėkite baterijų į burną.
- Prarijus bateriją galima užspringti ir / arba apsinuodyti.
- Įrenginį sumontuokite ant tvirtos struktūros, kad nesigirdėtų pernelyg didelio veikimo triukšmo ar vibracijos.
- A svertinis garso slėgio lygis nesiekia 70 dB.
- Šis prietaisas skirtas naudoti specialistui ar išmokytiems naudotojams dirbtuvėse, lengvojoje pramonėje arba komerciniam naudojimui nespecialistams.

## <HRVATSKI>

Tekst je izvorno napisan na engleskom jeziku. Tekst na ostalim jezicima predstavlja prijevod izvorno napisanog teksta.

### ▲ OPREZ

- Curenje rashladnog sredstva može uzrokovati gušenje. Osigurajte ventilaciju u skladu s normom HR EN378-1.
- Obavezno stavite izolaciju oko položenih cijevi. Izravni doticaj s golim cijevima može dovesti do opekline ili smravanja.
- Nikada ne stavljajte baterije u usta ni zbog kojeg razloga kako biste izbjegli slučajno gutanje.
- Gutanje baterija može prouzročiti gušenje i/ili trovanje.
- Postavite jedinicu na čvrstu strukturu kako biste izbjegli prebučan zvuk tijekom rada ili pojavu vibracija.
- Razina zvučnog tlaka A niža je od 70dB.
- Ovaj uređaj mogu upotrebljavati stručnjaci ili osposobljeni korisnici u trgovinama, lakoj industriji i na poljoprivrednim gospodarstvima ili laici u komercijalne svrhe.

## <SRPSKI>

Prevod originala. Verzije na drugim jezicima su prevodi originala.

### ▲ OPREZ

- Curenje rashladne tečnosti može da dovede do gušenja. Obezbedite ventilaciju u skladu sa EN378-1.
- Obavezno obmotajte izolaciju oko cevi. Direktna kontakt sa golom cevii može izazvati opekotine ili promrzline.
- Nikada nemojte stavljati baterije u usta iz bilo kog razloga, kako bi se sprečilo slučajno gutanje.
- Gutanje baterija može da izazove gušenje i/ili trovanje.
- Ugradite jedinicu na čvrstu strukturu kako biste sprečili previše jak zvuk rada ili vibracije.
- A-ponderisani nivo jačine pritiska zvuka je ispod 70 dB.
- Ovaj uređaj je namenjen za upotrebu od strane stručnjaka ili obučeni korisnika u prodavnicama, u lakoj industriji i na farmama ili za komercijalnu upotrebu od strane nekvalifikovanih lica.

Please be sure to put the contact address/telephone number on this manual before handing it to the customer.

**mitsubishi** **ELECTRIC CORPORATION**

HEAD OFFICE: TOKYO BUILDING, 2-7-3, MARUNOUCHI, CHIYODA-KU, TOKYO 100-8310, JAPAN

# Air to Water Heat Pump SUZ-SWM·VA(H) series SUZ-SHWM·VAH series

INSTALLATION MANUAL	FOR INSTALLER	English
INSTALLATIONSHANDBUCH	FÜR INSTALLATEURE	Deutsch
MANUEL D'INSTALLATION	POUR L'INSTALLATEUR	Français
INSTALLATIEHANDLEIDING	VOOR DE INSTALLATEUR	Nederlands
MANUAL DE INSTALACIÓN	PARA EL INSTALADOR	Español
MANUALE DI INSTALLAZIONE	PER L'INSTALLATORE	Italiano
ΕΓΧΕΙΡΙΔΙΟ ΟΔΗΓΙΩΝ ΕΓΚΑΤΑΣΤΑΣΗΣ	ΓΙΑ ΑΥΤΟΝ ΠΟΥ ΚΑΝΕΙ ΤΗΝ ΕΓΚΑΤΑΣΤΑΣΗ	Ελληνικά
MANUAL DE INSTALAÇÃO	PARA O INSTALADOR	Português
INSTALLATIONSMANUAL	TIL INSTALLATØREN	Dansk
INSTALLATIONSMANUAL	FÖR INSTALLATÖREN	Svenska
MONTAJ ELKİTABI	MONTÖR İÇİN	Türkçe
РУКОВОДСТВО ПО УСТАНОВКЕ	ДЛЯ УСТАНОВИТЕЛЯ	Русский
ПОСІБНИК З УСТАНОВЛЕННЯ	ДЛЯ СПЕЦІАЛІСТА З МОНТАЖУ	Українська
РЪКОВОДСТВО ЗА МОНТАЖ	ЗА МОНТАЖНИКА	Български
INSTRUKCJA MONTAŻU	DLA INSTALATORA	Polski
INSTALLASJONSHÅNDBOK	FOR MONTØR	Norsk
ASENNUSOPAS	ASENTAJALLE	Suomi
INSTALAČNÍ PŘÍRUČKA	PRO MONTÁŽNÍ PRACOVNÍKY	Čeština
NÁVOD NA INŠTALÁCIU	PRE MONTÉRA	Slovenčina
TELEPÍTÉSI KÉZIKÖNYV	A TELEPÍTŐ RÉSZÉRE	Magyar
NAMESTITVENI PRIROČNIK	ZA MONTERJA	Slovenščina
MANUAL DE INSTALARE	PENTRU INSTALATOR	Română
PAIGALDUSJUHEND	PAIGALDAJALE	Eesti
MONTĀŽAS ROKASGRĀMATA	UZSTĀDĪŠANAS SPECIĀLISTAM	Latviski
MONTAVIMO VADOVAS	SKIRTA MONTUOTOJUI	Lietuviškai
PRIRUČNIK ZA POSTAVLJANJE	ZA INSTALATERA	Hrvatski
UPUTSTVO ZA UGRADNJU	ZA MONTERA	Srpski

1. Varnostni napotki	1	6. Električna napeljava	9
2. Izбира mesta namestitve	3	7. Vzdrževanje	10
3. Diagram namestitve	5	8. Napeljava cevodov za vodo	11
4. Odočni cevovod zunanje enote	5	9. Izpraznitev sistema	13
5. Napeljava cevodov hladilnega sredstva	6	10. Tehnični podatki	14



**Opomba:** Ta oznaka je namenjena samo državam EU.

Ta oznaka označuje skladnost z direktivo 2012/19/EU, 14. členom – Informacije za uporabnike – in priložo IX.

Izdelek MITSUBISHI ELECTRIC je izdelan iz visokokakovostnih materialov, ki se lahko reciklirajo in ponovno uporabijo.

Ta oznaka označuje električne in elektronske naprave, ki morajo biti ob koncu življenjske dobe odstranjene ločeno od ostalih gospodinjskih odpadkov.

Prosimo, da vso opremo odstranite na ustrezen način v lokalnih centrih za zbiranje/recikliranje odpadkov.

V Evropski uniji obstajajo sistemi ločenega zbiranja izrabljenih električnih in elektronskih izdelkov.

Pomagajte nam ohranjati okolje, v katerem živimo!

## ! POZOR:

- R32 ne izpuščajte v ozračje.

## 1. Varnostni napotki

- ▶ Pred nameščanjem enote obvezno preberite poglavje »Varnostni napotki«.
- ▶ Pred priklopom sistema to sporočite elektropodjetju oziroma pridobite soglasje.

## ! OPOZORILO:

Navaja previdnostne ukrepe, ki jih je treba upoštevati za preprečevanje nevarnosti poškodb ali smrti uporabnika.

## ! POZOR:

Navaja previdnostne ukrepe, ki jih je treba upoštevati za preprečevanje poškodb enote.

Uko končate nameščanje, stranki razložite »varnostne napotke«, uporabo in vzdrževanje enote skladno z informacijami v navodilih za uporabo ter izvedite preizkusni zagon, da preverite, ali naprava pravilno deluje. Namestitveni priročnik in navodila za uporabo izročite uporabniku, ki naj jih shrani. Ta dva priročnika mora izročiti morebitnim kasnejšim uporabnikom.

⚠ : Označuje del, ki mora biti ozemljen.

## ! OPOZORILO:

Pozorno preberite nalepke, ki so na enoti.

⊕ : Označuje opozorila in svarila pri uporabi hladilnega sredstva R32.

## POMEN SIMBOLOV, UPORABLJENIH NA NOTRANJI IN/ALI ZUNANJI ENOTI

	<b>OPOZORILO</b> (Nevarnost požara)	Ta oznaka se uporablja samo za hladilno sredstvo R32. Vrsta hladilnega sredstva je navedena na zunanji enoti. Če je navedeno hladilno sredstvo R32, to pomeni, da ta naprava uporablja vnetljivo hladilno sredstvo. Če hladilno sredstvo pušča in pride v stik s plamenom ali grelnim telesom, začne nastajati strupen plin, hkrati pa obstaja nevarnost požara.
		Preden začnete uporabljati napravo, pozorno preberite NAVODILA ZA UPORABO.
		Servisno osebje mora pred uporabo prebrati NAVODILA ZA UPORABO in NAMESTITVENI PRIROČNIK.
		Podrobne informacije najdete v NAVODILIH ZA UPORABO, NAMESTITVENEM PRIROČNIKU in podobnem gradivu.

## ! OPOZORILO:

- Enote ne sme namestiti uporabnik. Glede namestitve in popravila enote se obrnite na prodajalca ali pooblaščenega serviserja. Če enota ni nameščena pravilno, lahko pride do puščanja vode, električnega udara ali požara.
- Glede nameščanja in premeščanja upoštevajte navodila v namestitvenem priročniku ter uporabljajte orodja in cevi, ki so namensko izdelane za uporabo s hladilnim sredstvom R32. Če uporabljate cevi, ki niso zasnovane za hladilno sredstvo R32 in enota ni nameščena pravilno, lahko te cevi počijo in povzročijo škodo ali telesne poškodbe. Poleg tega lahko pride tudi do puščanja vode, električnega udara ali požara.
- Enota mora biti nameščena skladno z navodili, kajti to zmanjšuje nevarnost poškodb v primeru potresa, nevihte ali močnega vetra. Nepravilno nameščena enota lahko pade na tla in povzroči telesne poškodbe ali materialno škodo.
- Enota mora biti varno nameščena na nosilno strukturo, ki lahko nosi njeno težo. Če enoto namestite na nestabilno strukturo, lahko pade in povzroči škodo ali telesne poškodbe.
- Če je zračna ali vodna toplotna črpalka nameščena v majhnem prostoru, morate izvesti ukrepe, s katerimi preprečite, da bi v primeru puščanja koncentracija hladilnega sredstva v prostoru presegla varnostno omejitev. Glede ustreznih ukrepov za preprečevanje preseganja mejne koncentracije se posvetujte s prodajalcem. Če pride do puščanja hladilnega sredstva in zaradi tega koncentracija preseže predpisano omejitev, lahko pride do prenizke koncentracije kisika v prostoru.
- Če začne hladilno sredstvo med delovanjem uhajati, prezračite prostor. Če pride hladilno sredstvo v stik s plamenom, začne nastajati strupen plin.
- Električna dela naj izvede električar skladno s krajevnimi predpisi in navodili v tem priročniku. Enote morajo biti napajane s posebnimi napajalnimi vodi z ustrezno električno napetostjo in nameščenimi prekinjalni tokokroga. Električni napajalni vodi z neustrezno zmogljivostjo ali z napačno električno inštalacijo lahko povzročijo električni udar ali požar.
- Za spajanje cevi cevovoda hladilnega sredstva iz bakra in bakrene zlitine uporabite s fosforjem obdelani baker C1220. Če povezava cevi ni izvedena pravilno, enota ne bo pravilno ozemljena, kar lahko privede do električnega udara.
- Naprava je namenjena za uporabo s strani strokovnih ali ustrezno usposobljenih uporabnikov v trgovinah, lahki industriji in na kmetijah ter za komercialno uporabo s strani nestrokovnih uporabnikov.
- Za žične napeljave uporabljajte samo navedene kable. Ožičenje mora biti varno pritrjeno, na priključkih žice ne smejo biti zategnjene. Pri napeljavi ožičenja nikoli ne spajajte žic (razen, če to zahtevajo navodila v tem dokumentu). Če ne upoštevate teh navodil, lahko pride do pregrevanja ali požara.
- Če je napajalni kabel poškodovan, ga mora proizvajalec, pooblaščen serviser ali druga ustrezno usposobljena oseba zamenjati, da preprečite morebitno nevarnost.
- Napravo morate namestiti skladno z državnimi predpisi glede električne napeljave.
- Pokrov priključne sponke zunanje enote mora biti pritrjen pravilno. Če je pokrov nameščen napačno ter v enoto prodre prah in vlaga, lahko to povzroči električni udar ali požar.

# 1. Varnostni napotki

- Med nameščanjem, premeščanjem ali servisiranjem toplotne črpalke za polnjenje hladilne napeljave lahko uporabite samo hladilno sredstvo, ki je za to določeno (R32). Ne mešajte ga z drugim hladilnim sredstvom in iz cevodovodov izčrpajte ves zrak.  
Če se zrak pomeša s hladilnim sredstvom, to lahko povzroči nenavadno visok tlak v cevodvodu hladilnega sredstva, kar lahko privede do eksplozije ali druge nevarnosti.  
Uporaba drugega hladilnega sredstva od posebej določenega za ta sistem lahko povzroči mehansko okvaro, motnje v delovanju sistema ali okvaro enote. V najhujšem primeru lahko to privede do resnega ogrožanja varnosti izdelka.
- Uporabljajte samo dodatno opremo, ki jo je odobrila družba Mitsubishi Electric, namesti pa naj jo prodajalec ali pooblaščen servisier. Če dodatna oprema ni nameščena pravilno, lahko pride do puščanja vode, električnega udara ali požara.
- Enote ne spreminjajte. To lahko privede do požara, električnega udara, poškodbe ali puščanja vode.
- Uporabnik naj v nobenem primeru ne poskusi sam popraviti enote ali je prenesti na drugo mesto. Če enota ni nameščena pravilno, lahko pride do puščanja vode, električnega udara ali požara. Če je treba zračno ali vodno toplotno črpalko popraviti ali premakniti, za nasvet vprašajte prodajalca ali pooblaščenega servisierja.
- Ko hladilni tokokrog pušča, NE izvedite izčrpanja s kompresorjem.
- Pri črpanju hladilnega sredstva iz cevodvoda zaustavite kompresor, preden odklopite cevodvod hladilnega sredstva. Kompresor lahko raznese, če vanj prodre zrak ipd.
- Po končani namestitvi preverite, da hladilno sredstvo ne pušča. Če pride do uhajanja hladilnega sredstva v prostor in stika s plamenom grelnika ali prenosnega kuhalnika, bodo začeli nastajati strupeni plini.
- Ne uporabljajte drugih sredstev za pospeševanje odmrzovanja ali za čiščenje naprave kot tistih, ki jih priporoča proizvajalec.
- Naprava mora biti shranjena v prostoru, kjer ni stalno delujočih virov vžiga (npr. odprtega plamena, naprave s plinskim gorilnikom ali električnega grelnika).
- Ne predirajte in ne zažigajte naprave.
- Upoštevajte, da hladilno sredstvo morda nima vonja.
- Cevno napeljavo zaščitite pred fizičnimi poškodbami.
- Cevna napeljava naj bo čim krajša.
- Upoštevajte predpise, ki veljajo za plinske vode.
- Ne zastirajte prezračevalnih odprtín.
- Pri morebitnem spajkanju cevodvoda hladilnega sredstva ne uporabljajte zlitin za hladno spajkanje.
- Med izvajanjem spajkanja poskrbite za dobro prezračevanje prostora. Poskrbite, da v bližini ne bo nevarnih ali vnetljivih snovi.  
Če delo izvajate v zaprtem, majhnem ali podobnem prostoru, poskrbite, da pred izvajanjem dela ne pride do uhajanja hladilnega sredstva.  
Če pride do puščanja in nabiranja hladilnega sredstva, se to lahko vname ali pa pride do sproščanja strupenih plinov.
- Enota mora biti nameščena v dobro prezračevanem prostoru, ki po velikosti ustreza tehničnim zahtevam za uporabo.
- Aparatov s plinskimi gorilniki, električnih grelnikov in drugih virov vžiga ne postavljajte v bližino mesta, kjer izvajate nameščanje, popravilo ali druga dela na toplotni črpalki.
- Če pride hladilno sredstvo v stik s plamenom, začne nastajati strupen plin.
- Med delom in prevozom ne smete kaditi.
- Ne dodajajte več hladila kot je največja količina vsake zunanje enote. Če je presežena maksimalna količina hladilnega sredstva, lahko povzroči požar na predelu, kjer hladilno sredstvo začne puščati.

## 1.1. Pred namestitvijo

### POZOR:

- Enote ne uporabljajte v neobičajnem okolju. Če je zračna ali vodna toplotna črpalka nameščena na mestu, ki je izpostavljeno pari, hlapnemu olju (vključno s strojnimi oljem) ali žveplovemu plinu oziroma zelo slanemu ozračju, na primer ob morju ali na območjih, kjer bo enota prekrita s snegom, bo morda njeno delovanje bistveno slabše in lahko pride do poškodb notranjih delov.
- Enote ne namestite na mestu, kjer lahko pride do uhajanja gorljivih plinov oziroma kjer nastajajo, se pretakajo ali se zbirajo takšni plini. Če se okrog enote nabere gorljiv plin, lahko pride do požara ali eksplozije.
- Na zunanji enoti se med ogrevanjem nabira kondenzacija. Če obstaja možnost, da bi ta kondenzacija poškodovala enoto, morate okoli zunanje enote zagotoviti odtok te vode.
- Če enoto namestite v bolnišnici ali v pisarni, prek katere se izvaja komunikacija, upoštevajte hrup in elektronske motnje, ki jih lahko povzročijo. Inverterske naprave, gospodinjski aparati, visokofrekvenčna medicinska oprema ter oprema za radijsko komunikacijo lahko povzročijo nepravilno delovanje ali okvaro zračne ali vodne toplotne črpalke. Zračna ali vodna toplotna črpalka lahko vpliva na delovanje medicinskih pripomočkov ter moti delovanje pripomočkov za medicinsko nego in komunikacijo. Vpliva lahko tudi na zasloni prikaz naprav.

## 1.2. Pred namestitvijo (premestitevijo)

### POZOR:

- Pri prevozu ali namestitvi enot bodite zelo previdni. Enoto morata prenašati dve osebi, saj tehta 20 kg ali več. Ne prijemajte embalažnih trakov. Pri odstranjevanju iz embalaže in premikanju enote nosite zaščitne rokavice, da roke zaščitite pred poškodbami na lamelah ali ostrih robovih drugih delov.
- Embalažne materiale varno odstranite. Embalažni materiali, kot so žebelji ter drugi kovinski in leseni deli, lahko povzročijo vbodne in podobne poškodbe.
- Redno preverjajte podstavek in pritrdilne elemente zunanje enote za zrahljanost, razpoke ali druge poškodbe. Če teh nepravilnosti ne odpravite, enota lahko pade na tla in povzroči telesne poškodbe ali materialno škodo.
- Enote zračne ali vodne toplotne črpalke ne čistite z vodo. To lahko povzroči električni udar.
- Vse matice spojke pritrdite z momentnim ključem. Če jih preveč tesno privijete, lahko matice spojke čez nekaj časa počijo, zaradi česar lahko pride do iztekanja hladilnega sredstva.

## 1.3. Pred izvajanjem električnih del

### POZOR:

- Obvezno namestite prekinjala tokokroga. Če jih ne namestite, lahko pride do električnega udara.
- Za električno napeljavo uporabite standardne kable za ustrezen tok in napetost. V nasprotnem primeru lahko pride do kratkega stika, pregrevanja ali požara.
- Pri nameščanju električne napeljave pazite, da ne boste napenjali kablov. Če se povezave zrahljajo, se lahko kabli pretrgajo, zaradi česar lahko pride do pregrevanja ali požara.
- Enoto obvezno ozemljite. Ne priključite ozemljitvenega voda na plinovod, vodovod, strelvod ali telefonski ozemljitveni vod. Če enota ni pravilno ozemljena, lahko pride do električnega udara.
- Uporabite prekinjala tokokroga (napravo za preostali tok, izolacijsko stikalo (varovalko +B) in instalacijski odklopnik) za ustrezen tok in napetost. Če je nazivni tok varovalke večji od navedenega, lahko pride do okvare ali požara.



# 1. Varnostni napotki

## 1.4. Pred začetkom poskusnega zagona

### POZOR:

- Glavno stikalo napajanja vklopite več kot 12 ur pred začetkom uporabe naprave. Če glavno stikalo napajanja vklopite neposredno pred začetkom uporabe, lahko pride do hudih poškodb notranjih delov. Glavno stikalo napajanja mora med glavno sezono obratovanja ostati vklopljeno.
- Preden začnete uporabljati napravo, preverite, ali so vse plošče, varovala in drugi zaščitni deli pravilno nameščeni. Vrteči se in vroči deli ter deli pod visoko napetostjo lahko povzročijo telesne poškodbe.

- Stikal se ne dotikajte z mokrimi rokami. To lahko povzroči električni udar.
- Med delovanjem se cevovoda hladilnega sredstva ne dotikajte z golimi rokami. Cevovod hladilnega sredstva je lahko vroč ali mrzel, odvisno od stanja hladilnega sredstva, ki se pretaka v ceveh. Če se dotaknete teh cevi, lahko dobite opekline ali ozeblino.
- Ko zaustavite napravo, počakajte najmanj pet minut, preden izklopite glavno stikalo napajanja. V nasprotnem primeru lahko pride do uhajanja vode ali okvare.

## 1.5. Uporaba hladilnega sredstva R32 z zračno ali vodno toplotno črpalko

### POZOR:

- Za spajanje cevi cevovoda hladilnega sredstva iz bakra in bakrene zlitine uporabite s fosforjem obdelani baker C1220. Očistite notranjost cevi in odstranite vse strupene snovi, kot so žveplove spojine, oksidanti, smeti in prah. Uporabite cevi z navedeno debelino. (Glej 4.1.) Če boste ponovno uporabili cevi, po katerih se je prej pretakalo hladilno sredstvo R22, upoštevajte naslednja priporočila.
  - Zamenjajte obstoječe matice spojke in ponovno zarobite cevi.
  - Ne uporabljajte tankih cevi. (Glej 4.1.)
- Cevi, ki jih boste uporabljali med namestitvijo, shranite v zaprtem prostoru ter jih zatesnite na obeh koncih, dokler ne boste začeli s spajkanjem. (Kolena ipd. pustite v embalaži.) Če v napeljavo za hladilno sredstvo pride prah ali drugi delci, lahko to privede do deterioracije olja ali okvare kompresorja.
- Kot hladilno olje za spojne dele uporabite estersko olje, etersko olje ali alkilbenzensko olje (majhno količino). Če se mineralno olje pomeša s hladilnim oljem, lahko to privede do deterioracije olja.

- Servis se lahko opravi le skladno s priporočili proizvajalca.
- Uporabite lahko samo hladilno sredstvo R32. Če uporabite drugo hladilno sredstvo, bo klor povzročil poslabšanje olja.
- Uporabite naslednja orodja, ki so zasnovana posebej za uporabo s hladilnim sredstvom R32. Če uporabljate hladilno sredstvo R32, je uporaba naslednjih orodij obvezna. Če imate vprašanja, se obrnite na najbližjega prodajalca.

Orodja (za R32)	
Razdelilnik merilnika	Orodje za robljenje
Polnilna cev	Merilnik za prilagoditev velikosti
Detektor uhajanja plina	Adapter za podtlačno črpalko
Momentni ključ	Elektronska skala za polnjenje hladilnega sredstva

- Prepričajte se, da uporabljate pravilna orodja. Če v napeljavo za hladilno sredstvo vstopijo prah ali drugi delci, lahko to privede do deterioracije hladilnega olja.

## 2. Izbira mesta namestitve

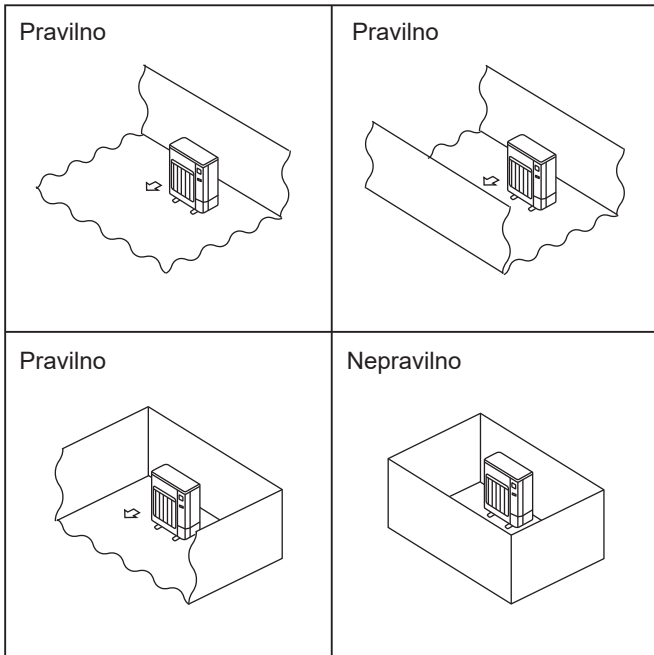


Fig. 2-1

### 2.1. Zunanja enota

- R32 je težji od zraka - ter od drugih hladilnih sredstev - zato se običajno nabira na dnu (v bližini tal). Če se R32 nabere na dnu, lahko v majhnih prostorih doseže vnetljivo koncentracijo. Za varno delovno okolje zagotovite ustrezno prezračevanje, da preprečite vžig. Če potrdite uhajanje hladilnega sredstva v prostoru z neustreznim prezračevanjem, ne uporabljajte plamenov, dokler delovno okolje nima zagotovljenega ustreznega prezračevanja.
  - Na mesto, kjer ne bo izpostavljena močnemu vetru.
  - Na zračno mesto, ki ni prašno.
  - Kjer ne povzroča težav zaradi kratkih ciklov.
  - Kjer sosedov ne bo motil zvok delovanja ter vroč zrak, ki bo prihajal iz nje.
  - Na tog zid ali nosilec, ki bo preprečeval povečanje hrupa delovanja ali tresljajev.
  - Na mesto, kjer ne more priti do puščanja vnetljivega plina.
  - Če enoto namestite na visoko ležeče mesto, ne pozabite pritrditi nog enote.
  - Tako, da bo najmanj 3 m oddaljena od televizijske oziroma radijske antene. (V nasprotnem primeru lahko povzroča motnje slike in zvoka.)
  - Namestite jo tako, da ne bo izpostavljena sneženju oziroma snegu iz snežnega puhalnika. Na območjih, kjer močno sneži, namestite zaščitno ponjavo, podstavek ali zaslon.
  - Enoto namestite vodoravno.
  - Prikluček cevovoda hladilnega sredstva mora biti dostopen za namene vzdrževanja.
- Zunanje enote namestite v dovolj velikem prostoru brez vdrtin, kjer je vsaj ena od štirih strani odprta. (Fig. 2-1)

### POZOR:

Toplotne črpalke ne namestite na spodnjih mestih, saj lahko pride do težav pri delovanju.

- V prostoru, kjer je preveč strojnega olja.
- V okolju, kjer je zrak slan, npr. v obmorskih krajih.
- V okolju s termalnimi vrelicami.
- V okolju, kjer so prisotni žveplovni plini.
- V drugem okolju s posebnimi okoljskimi pogoji.

Na zunanji enoti se med ogrevanjem nabira kondenzirana voda. Enoto namestite tako, da niti zunanja enota niti objekt ne bosta poškodovana zaradi odtekanja ali zamrzovanja odtočne vode.

## 2. Izbira mesta namestitve

### 2.2. Najmanjše mesto namestitve

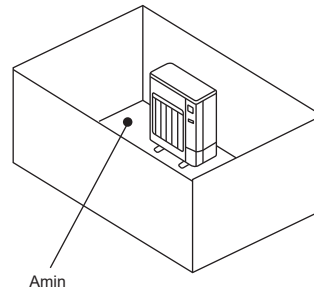
Če se ne morete izogniti namestitvi enote v prostoru, kjer so vse štiri strani blokirane ali kjer so vdrtime, potrdite, da je izpolnjen vsaj eden izmed naslednjih pogojev (A, B ali C).

**Opomba: Ti protiukrepi so namenjeni zagotavljanju varnosti in ne pomenijo jamstva za specifikacije.**

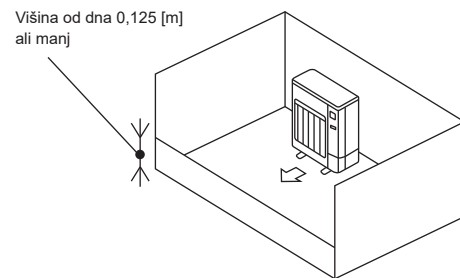
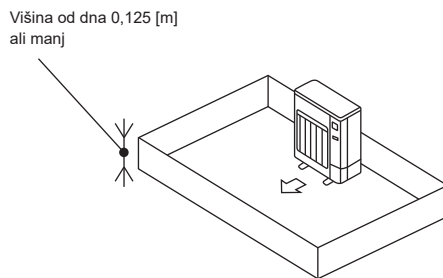
A) Zagotovite dovolj velik namestitveni prostor (minimalno namestitveno območje je Amin).

Namestite v prostoru z minimalno namestitveno površino Amin, ki se mora ujemati s količino hladilnega sredstva M (tovarniško napolnjeno hladilno sredstvo + lokalno dodano hladilno sredstvo).

M [kg]	Amin [m <sup>2</sup> ]
1,0	12
1,5	17
2,0	23
2,5	28
3,0	34
3,5	39
4,0	45
4,5	50
5,0	56
5,5	62
6,0	67
6,5	73
7,0	78
7,5	84



B) Namestite v prostoru, kjer višina vdrtime ni večja od  $\leq 0,125$  [m].

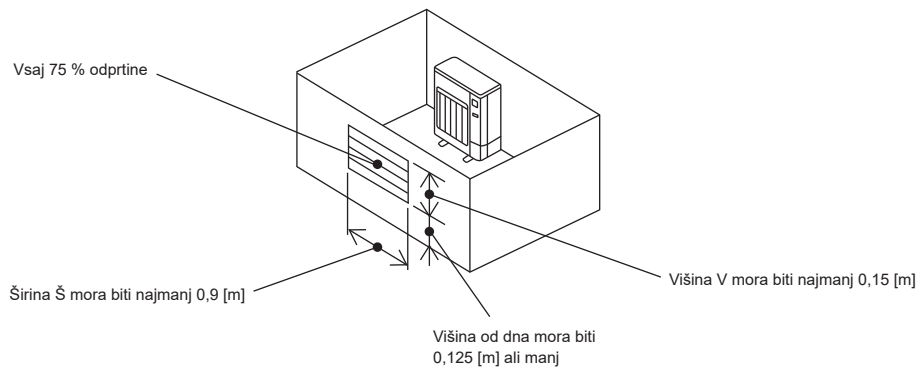


C) Ustvarite odprt prostor za ustrezno prezračevanje.

Zagotovite, da bo širina odprtega območja najmanj 0,9 [m] in višina odprtega območja najmanj 0,15 [m].

Vendar mora biti višina od dna namestitvenega prostora do spodnjega roba odprtega območja najmanj 0,125 [m].

Odprto območje mora predstavljati vsaj 75 % odprtine.



**Opomba: Pri notranji enoti ni omejitev za namestitve zaradi uporabe hladilnega sredstva R32.**

**Glejte priročnik za namestitve notranje enote in preverite zahtevano območje namestitve.**

### 3. Diagram namestitve

#### 3.1. Zunanja enota (Fig. 3-1)

##### Prostor za prezračevanje in servisiranje

- Ⓐ 100 mm ali več
- Ⓑ 350 mm ali več
- Ⓒ 500 mm ali več

Če cevovod namestite na zid, ki vsebuje kovinske dele (obložen s pločevino) ali kovinsko mrežico, med zid in cev vstavite najmanj 20 mm debel, lakiran kos lesa ali pa cevi ovijte s 7 ali 8 sloji izolacije iz vinilnega traku.

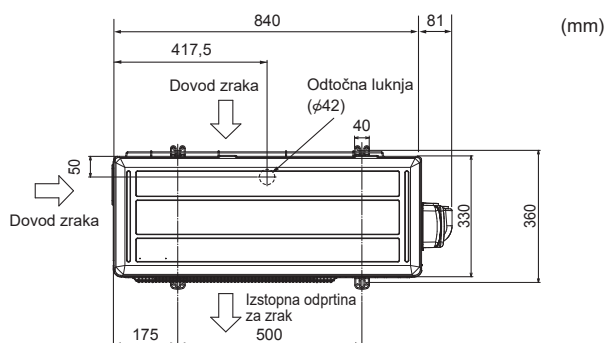
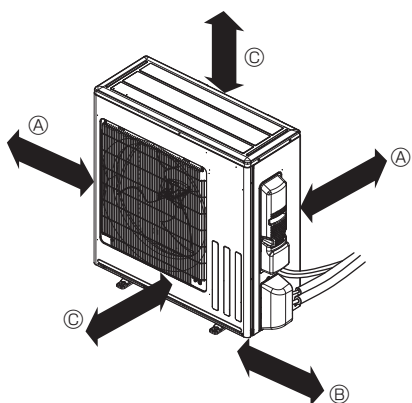
Enote lahko namesti samo ustrezno usposobljen monter z licenco in v skladu z zahtevami lokalnih predpisov.

##### Opomba:

Če toplotno črpalko uporabljate pri nizki zunanji temperaturi, upoštevajte spodnja navodila.

- Zunanje enote ne namestite na mesto, kjer bo vhodna/izhodna odprtina izpostavljena močnemu vetru.
- Pred vetrom jo lahko zaščitite tako, da jo namestite tako, da bo stran, na kateri zajema zrak, obrnjena proti zidu.
- Za zaščito pred vetrom izstopno stran zunanje enote ogradite z zaslonom.

- SUZ-SWM80VA2, SUZ-SWM80VAH2, SUZ-SWM100VA, SUZ-SWM100VAH, SUZ-SHWM60VAH



- SUZ-SWM30VA, SUZ-SWM40VA2, SUZ-SWM60VA2, SUZ-SHWM30VAH, SUZ-SHWM40VAH

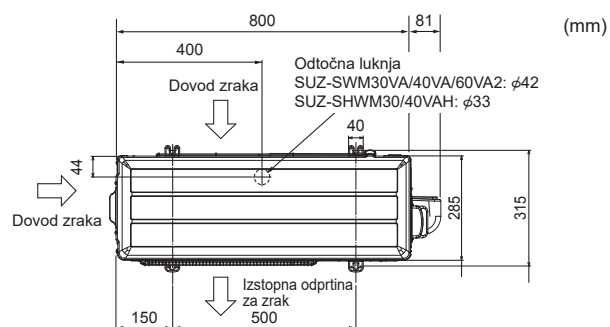
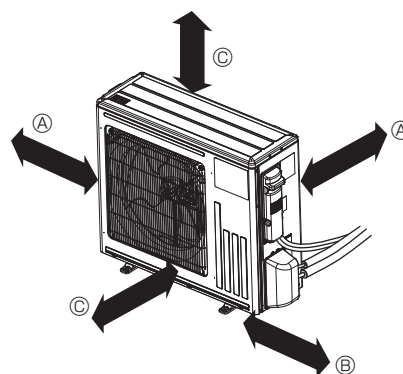


Fig. 3-1

### 4. Odtočni cevovod zunanje enote (Fig. 4-1)

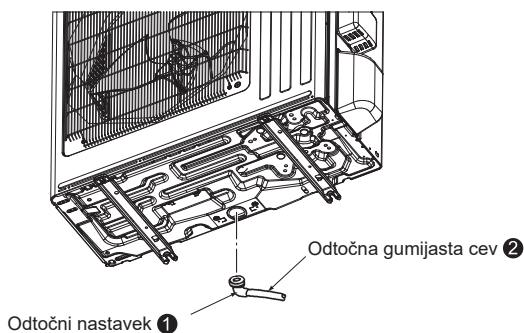


Fig. 4-1

#### 4.1. Dodatna oprema

Pred nameščanjem preverite spodnje dele.

<Zunanja enota>

1	Odtočni nastavek	1
---	------------------	---

- Odtočno cev namestite, preden priključite cevovod med zunanjo in notranjo enoto. (Odtočni nastavek boste težko namestili 1, če cevno napeljavo notranje in zunanje enote priključite pred priključitvijo odtočne cevi, saj zunanje enote ne bo mogoče premikati.)
- Priključite odtočno gumijasto cev 2 (na voljo v prosti prodaji, notranji premer: 15 mm), kot je prikazano na sliki odtočnega voda.
- Odtočni cevovod naj bo napeljan navzdol, da bo voda lažje odtekala.

##### Opomba:

V hladnejšem podnebju 1 ne uporabljajte odtočnega nastavka. Odtok lahko zamrzne in zaustavi ventilator.

Odtočni nastavek ni vključen pri seriji SHWM.

## 5. Napeljava cevododa hladilnega sredstva

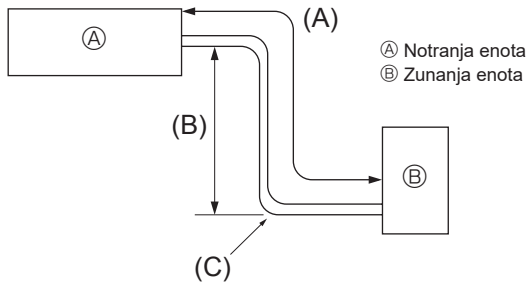


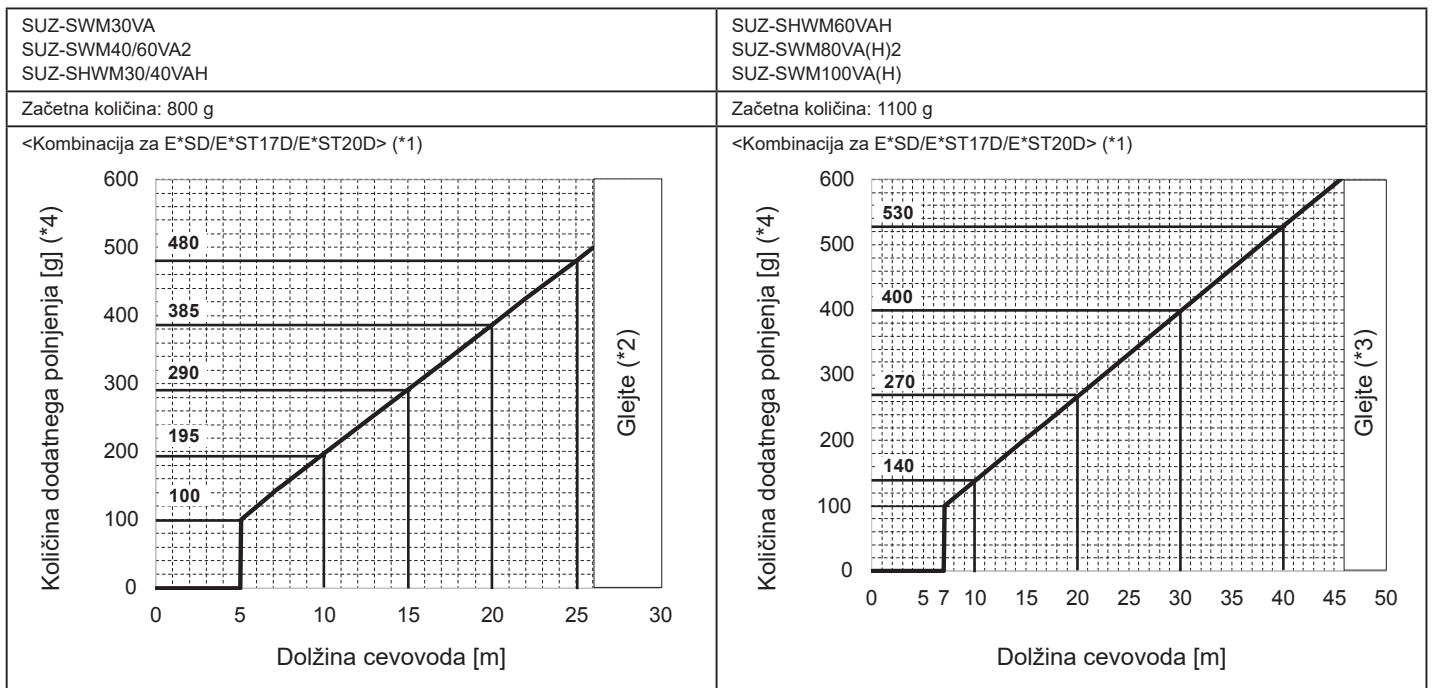
Fig. 5-1

### 5.1. Cev za hladilno sredstvo (Fig. 5-1)

► Prepričajte se, da razlike v višini notranjih in zunanjih enot, v dolžini cevi za hladilno sredstvo in v številu kolen cevi ne presegajo omejitev, ki so prikazane spodaj.

Modeli	(A) Dolžina cevododa (ena smer)	(B) Razlika v višini	(C) Število kolen (v eno smer)
SUZ-SWM30VA	2 m - 26 m	Najv. 26 m	Največ 10
SUZ-SHWM30VAH			
SUZ-SWM40VA2			
SUZ-SHWM40VAH			
SUZ-SWM60VA2	2 m - 46 m	Najv. 30 m	
SUZ-SHWM60VAH			
SUZ-SWM80VA(H)2			
SUZ-SWM100VA(H)			

• Omejitve za razliko v višini so zavezujoče ne glede na to, katera enota, notranja ali zunanja, je postavljena višje.



\*1. Pri priklopu na E\*ST30D VEDNO dodajte še 50 g poleg dodatne polnitve v grafih.

\*2. Za dolžino cevi, daljšo od 26 m, se posvetujte z našim strokovnjakom.

\*3. Za dolžino cevi, daljšo od 46 m, se posvetujte z našim strokovnjakom.

\*4. V primeru celotnega dopolnjevanja; začetna količina + količina dodatnega polnjenja

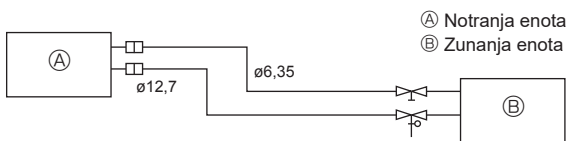


Fig. 5-2

(1) Spodnja tabela prikazuje specifikacije cevi, ki so na voljo na tržišču. (Fig. 5-2)

Model	Cev	Zunanji premer		Min. debelina zidu	Debelina izolacije	Izolirni material
		mm	palec			
Vsi modeli	Za tekočino	6,35	1/4	0,8 mm	8 mm	Toplotno odporen penast trak iz umetne snovi s specifično gostoto 0,045
	Za plin	12,7	1/2	0,8 mm	8 mm	

(2) Zagotovite dobro izoliranost 2 cevi za hladilno sredstvo, da preprečite kondenzacijo.

(3) Polmer ukrivljanja cevi mora biti 100 mm ali več.

### ⚠ POZOR:

Uporabljajte izolacijo specificirane debeline. Prekomerna debelina preprečuje shranjevanje za notranjo enoto, manjša debelina pa povzroči kapljanje rose.

- Zagotovite ustrezno prezračevanje, da preprečite možnost vžiga. Ne pozabite izvesti protipožarnih varnostnih ukrepov in odstraniti vseh nevarnih ali vnetljivih predmetov v okolici.
- Dodajanje R32 med vzdrževanjem: Pred servisnim dodajanjem sredstva R32 v opremo se prepričajte, da je oprema 100 % odklopljena iz omrežnega električnega napajanja, da tako preprečite vsakršno možnost eksplozije zaradi električnih isker.
- Izolacijski material mora ustrezati spodnjim specifikacijam.
  - (1) Toplotna prevodnost: 0,040 W/mK ali manj
  - (2) Debelina izolacije: 9 mm ali več
  - (3) Toplotna odpornost: 110 °C ali več
 Če je dolžina zunanjega cevododa večja od 15 m, mora biti debelina izolacije 18 mm ali več.

## 5. Napeljava cevodov hladilnega sredstva

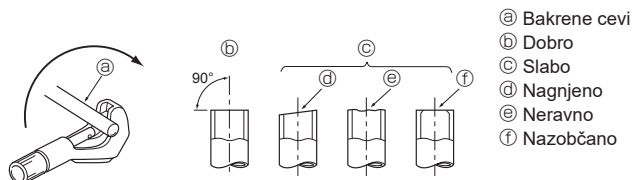


Fig. 5-3

- Ⓐ Bakrene cevi
- Ⓑ Dobro
- Ⓒ Slabo
- Ⓓ Nagnjeno
- Ⓔ Neravno
- Ⓕ Nazobčano

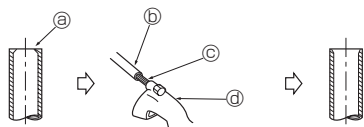


Fig. 5-4

- Ⓐ Nazobčano
- Ⓑ Bakrena cev/pipa
- Ⓒ Povrtalo
- Ⓓ Orodje za rezanje cevi

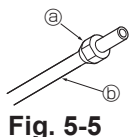


Fig. 5-5

- Ⓐ Spojna matica
- Ⓑ Bakrena cev

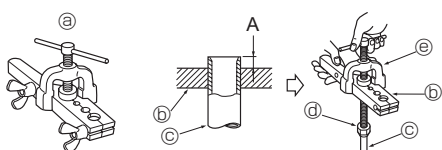


Fig. 5-6

- Ⓐ Orodje za spajanje
- Ⓑ Navojni rezalnik
- Ⓒ Bakrena cev
- Ⓓ Spojna matica
- Ⓔ Jarem

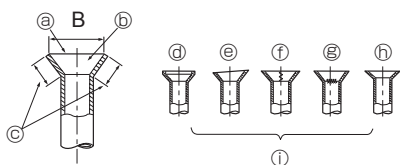


Fig. 5-7

### 5.2. Spajanje cevi

- Glavni vzrok uhajanja plina je napaka pri spajanju cevi.
- Cevi pravilno spojite v skladu z naslednjim postopkom.

#### 5.2.1. Rezanje cevi (Fig. 5-3)

- Z uporabo orodja za rezanje cevi pravilno odrežite bakreno cev.

#### 5.2.2. Odstranjevanje zarobkov (Fig. 5-4)

- Pobrusite in popolnoma zgladite odrezan rob cevi.
- Ko brusite rob cevi, naj bo cev obrnjena navzdol, da opilki ne padejo vanjo.

#### 5.2.3. Nameščanje matic (Fig. 5-5)

- Odstranite spojni matici na notranji in zunanji enoti in ju namestite na cev z ustrezno pobrušenimi robovi.
- (Po spajanju cevi to ne bo mogoče.)

#### 5.2.4. Spajanje cevi (Fig. 5-6)

- Cevi spojite z orodjem za spajanje, kot je prikazano na levi strani.

Premer cevi (mm)	Dimenzije	
	A (mm)	B <sup>+0</sup> <sub>-0,4</sub> (mm)
	Če uporabljate orodje za R32 Vrsta z objemko	
6,35	0 - 0,5	9,1
9,52	0 - 0,5	13,2
12,7	0 - 0,5	16,6
15,88	0 - 0,5	19,7

Čvrsto držite bakreno cev v navojnem rezalniku na dimenziji, prikazani v zgornji tabeli.

#### 5.2.5. Priprava (Fig. 5-7)

- Spojeno cev primerjajte s sliko na levi strani.
- Če spoj ni pravilen, odrežite spojeni del cevi in znova izvedite spajanje.

- Ⓐ Cel obod mora biti gladek
- Ⓑ Notranjost je sijajna in brez prask
- Ⓒ Enaka dolžina po celem obodu
- Ⓓ Preveč
- Ⓔ Nagnjeno
- Ⓕ Praska na zavijani ravnini
- Ⓖ Počeno
- Ⓗ Neravno
- Ⓘ Primeri slabe izvedbe

- Na naležno površino cevi nanesite tanko plast hladilnega olja. (Fig. 5-8)
- Pri priključitvi cev najprej sredinsko poravnajte, nato pa matico spojke najprej privijte za 3 do 4 obrate.
- Pri privijanju stranskih spojev notranje enote si pomagajte s spodnjo tabelo priteznih navorov. Uporabite dva ključa. S premočnim privijanjem lahko poškodujete spojni del cevi.

Zun. prem. bakrene cevi (mm)	Zun. prem. matice spojke (mm)	Pritezni moment (Nm)
ø6,35	17	14 - 18
ø9,52	22	34 - 42
ø12,7	26	49 - 61
ø15,88	29	68 - 82

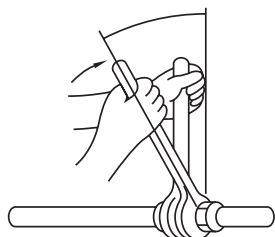


Fig. 5-8

### ! OPOZORILO:

Pri nameščanju enote pravilno priključite cevovod hladilnega sredstva, preden zaženete kompresor.

### ! OPOZORILO:

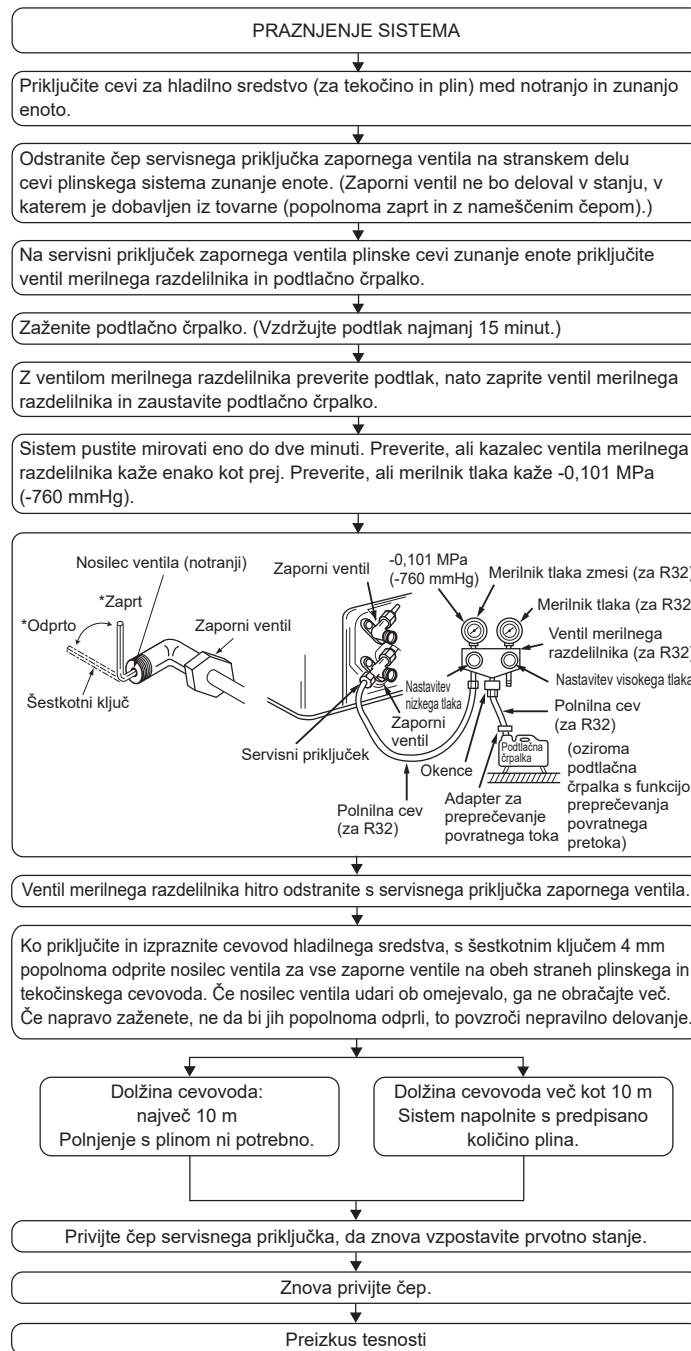
Pazite, ker lahko matica spojke odleti! (sestav je pod tlakom)

Sledite temu postopku za odstranjevanje matice spojke:

1. Odvijte matico toliko, da zaslišite sikanje.
2. Ne odstranite matice, dokler ne uide ves plin (in se sikanje konča).
3. Preverite, ali je ves plin ušel, nato odstranite matico.

## 5. Napeljava cevododa hladilnega sredstva

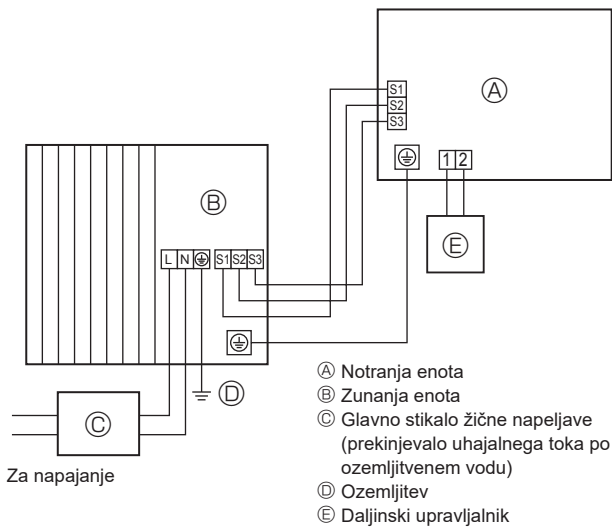
### 5.3. Praznjenje sistema in preizkus tesnosti



## 6. Električna napeljava

### 6.1. Zunanja enota (Fig. 6-1, Fig. 6-2, Fig. 6-3)

- ① Odstranite servisno ploščo.
  - ② Napeljite kable, kot je prikazano na slikah Fig. 6-1, Fig. 6-2 in Fig. 6-3.
- SUZ-SHWM60VAH, SUZ-SWM80VA(H)2, SUZ-SWM100VA(H)



■ SUZ-SHWM30/40VAH, SUZ-SWM30VA, SUZ-SWM40/60VA2

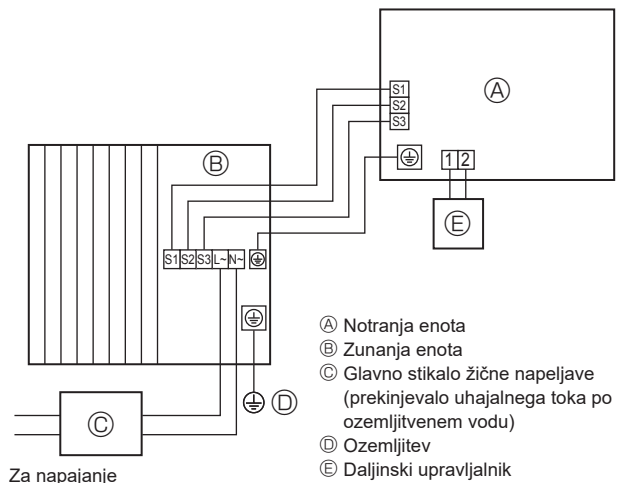


Fig. 6-1

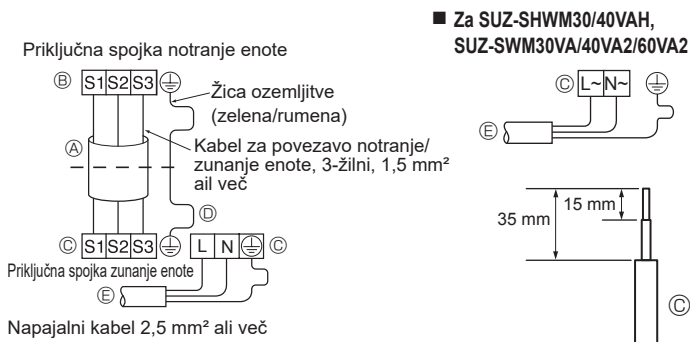
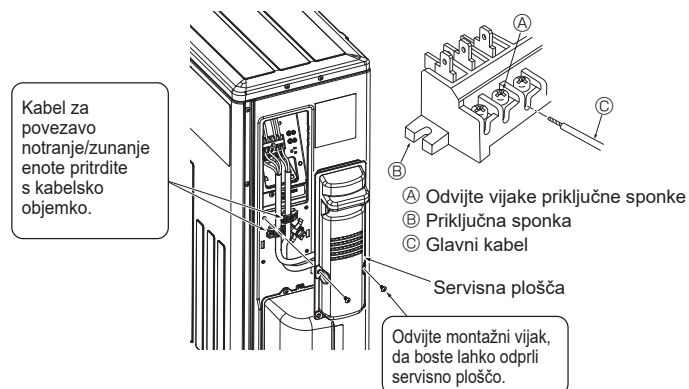


Fig. 6-2

■ SUZ-SWM30VA, SUZ-SWM40VA2, SUZ-SWM60VA2, SUZ-SHWM30VAH, SUZ-SHWM40VAH



■ SUZ-SWM80VA2, SUZ-SWM100VA, SUZ-SWM80VAH2, SUZ-SWM100VAH, SUZ-SHWM60VAH

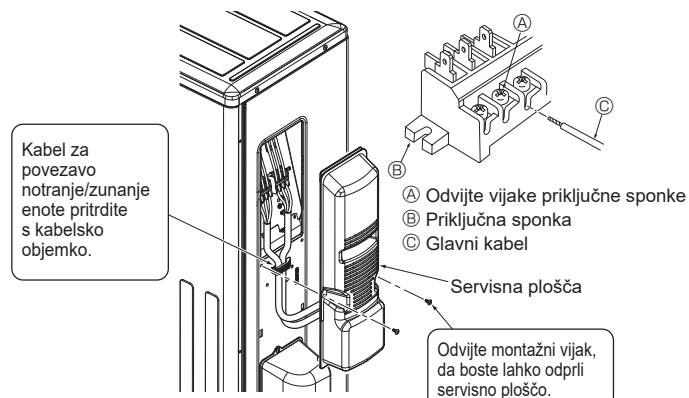


Fig. 6-3

- Napeljite žično napeljavo, kot je prikazano na shemi spodaj levo. (Kabel kupite v trgovini.) (Fig. 6-2)
- Uporabljajte izključno kable z ustrezno polarnostjo.

- A Povezovalni kabel
- B Priključna sponka notranje enote
- C Priključna sponka zunanje enote
- D Ozemljitvena žica mora biti daljša od drugih dveh.
- E Napajalni kabel
- F Napajalni vod

- Žica ozemljitve naj bo malo daljša od drugih. (Več kot 100 mm)
- Povezovalne žice naj imajo malo dodatne dolžine za prihodnje servisne posege.
- Pri priključitvi kabla oziroma žic na priključno spojko vsakega od vijakov pravilno privijte na priključek.

- Kabel z notranje enote pravilno priključite na priključno sponko.
- Priključite ga v enako sponko in v iste pole kot na notranji enoti.
- Povezovalni kabel naj bo malo daljši kot je potrebno zaradi kasnejšega vzdrževanja.

- Oba konca povezovalnega kabla (podaljška) morata biti olupljena. Če je kabel predolg ali povezan tako, da je odrezan na sredini, olupite napajalni kabel do velikosti, ki je navedena na sliki.
- Pazite, da povezovalni kabel ne bo prišel v stik s cevovodom.

### ! POZOR:

- Pazite, da žic ne boste narobe priključili.
- Čvrsto privijte vijake sponke, da preprečite, da bi se zrahljali.
- Po privijanju rahlo povlecite kabel, da preverite, ali je dobro pritrjen.

### ! OPOZORILO:

- Pravilno pritržite servisno loputo zunanje enote. Če ni pravilno pritrjena, lahko zaradi prahu, vode itd. pride do požara ali električnega udara.
- Čvrsto privijte vijake sponke.
- Napeljava mora biti narejena tako, da napajalni kabli niso napeti. V nasprotnem primeru lahko pride do segrevanja ali požara.

## 6. Električna napeljava

### 6.2. Električno ožičenje

Model zunanje enote	SUZ-SHWM30VAH/40VAH SUZ-SWM30VA/40VA2/60VA2	SUZ-SHWM60VAH SUZ-SWM80VA(H)2/SWM100VA(H)
Napajanje zunanje enote	~/N (enojna), 50 Hz, 230 V	~/N (enojna), 50 Hz, 230 V
Vhodna zmogljivost glavnega stikala zunanje enote (prekinjalo) *1	16 A	20 A
Kabli za ožičenje; št. × velikost (mm <sup>2</sup> )	Napajanje zunanje enote	2 × najm. 2,5
	Ozemljitev napajanja zunanje enote	1 × najm. 2,5
	Notranja enota–zunanja enota	3 × 1,5 (polarno)
	Notranja enota–ozemljitev zunanje enote	1 × najm. 1,5
Napetost tokokroga	Zunanja enota – L-N *2	230 VAC
	Notranja enota–zunanja enota S1–S2 *2	230 VAC
	Notranja enota–zunanja enota S2–S3 *2	12 VDC – 24 VDC

\*1. Uporabiti morate prekinjalo z ločitveno razdaljo kontaktov najmanj 3 mm. Uporabite prekinjalo uhajavega toka po ozemljitvenem vodu (NV).

Prepričajte se, da je prekinjalo uhajavega toka združljivo z višjimi harmoničnimi tokovi.

Vedno uporabite prekinjalo uhajavega toka, ki je združljivo z višjimi harmoničnimi tokovi, ker je ta enota opremljena z inverterjem.

Uporaba neustreznega prekinjala lahko povzroči nepravilno delovanje inverterja.

\*2. Nekatere vrednosti NISO vedno v razmerju do ničle.

Priključna sponka S3 ima napetost 24 VDC glede na priključno sponko S2. Po drugi strani pa priključni sponki S3 in S1 NISTA električno izolirani s pretvornikom ali drugo napravo.

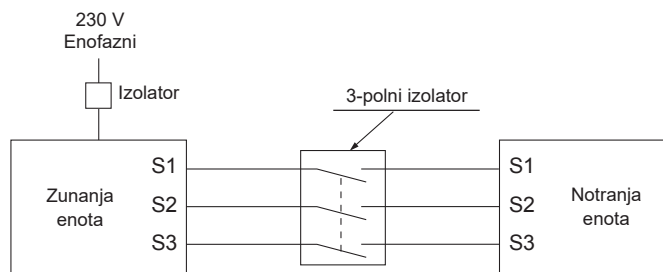
**Opombe:** 1. Debelina kablov mora biti skladna s krajevnimi in državnimi predpisi.

2. Napajalni kabel in kabel za povezavo notranje/zunanje enote ne smeta biti lažja od upogljivega kabla, oplaščenega s polikloroprenom. (zasnova 60245 IEC 57)

3. Ozemljitvena žica mora biti daljša od drugih dveh.

4. Za ožičenje električnega napajanja uporabite negorljive razvodne kable.

5. Napeljava kablov mora biti izvedena tako, da se kabli ne dotikajo robov pločevine ali konic vijakov.



### **⚠ OPOZORILO:**

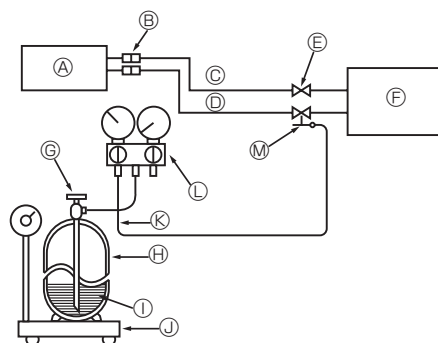
Na priključni sponki S3 je prisoten visok napetostni potencial, ki je posledica zasnove električnega vezja, ki nima nikakršne električne izolacije med električnim napajalnim vodom in vodom za komunikacijski signal. Zato je pomembno, da med servisiranjem izklopite glavni vir električnega napajanja. Ne dotikajte se sponk S1, S2, S3, ko je enota pod električno napetostjo. Če boste med notranjo in zunanjo enoto uporabili izolator, uporabite 3-polnega.

Nikoli ne spajajte žic napajalnega kabla ali kabla za povezavo notranje in zunanje enote, saj bi to lahko povzročilo nastajanje dima, požar ali napako v komunikaciji.

Prepričajte se, da so kabli za povezavo notranje in zunanje enote priključeni neposredno na enoto (brez vmesnih povezav).

Vmesne povezave lahko povzročijo napake v komunikaciji, če v kabel prodre voda in povzroči neustrezno izolacijo z ozemljitvijo ali slab električni kontakt na vmesni priključni točki.

## 7. Vzdrževanje



- |   |   |
|---|---|
| (A) Notranja enota                      | (H) Jeklenka za plinsko hladilno sredstvo R32 s sifonom   |
| (B) Spoj                                | (I) Hladilno sredstvo (v tekočem stanju)                  |
| (C) Cev za tekočino                     | (J) Elektronski merilnik za polnjenje hladilnega sredstva |
| (D) Plinska cev                         | (K) Polnilna cev (za R32)                                 |
| (E) Zaporni ventil                      | (L) Ventil merilnega razdelilnika (za R32)                |
| (F) Zunanja enota                       | (M) Servisni priključek                                   |
| (G) Plinski valjasti ventil za hlajenje |   |

Fig. 7-1

### 7.1. Polnjenje s plinom (Fig. 7-1)

1. Priključite jeklenko s plinom na servisni priključek (3-smerni) zapornega ventila.
2. Odzračite togo (ali gibko) cev, ki prihaja iz jeklenke s plinskim hladilnim sredstvom.
3. Sistem napolnite z navedeno količino hladilnega sredstva, ko toplotna črpalčka deluje v načinu za hlajenje.

**Opomba:**

V primeru dodajanja hladilnega sredstva upoštevajte količino, navedeno za cikel hlajenja.

### **⚠ POZOR:**

- Hladilnega sredstva ne sproščajte v ozračje. Med nameščanjem, ponovnim nameščanjem in popravili hladilnega krogotoka pazite, da hladilno sredstvo ne bo uhajalo v ozračje.
- Dodatno polnjenje izvedite s polnjenjem iz tekoče faze plinske jeklenke. Če polnjenje izvajate iz plinske faze, lahko pride do spremembe sestave ter razlik med hladilnim sredstvom v jeklenki in tistim v zunanji enoti. V tem primeru zmogljivost hlajenja pade oziroma lahko to onemogoči normalno delovanje. Upoštevajte, da pri prehitrem polnjenju s tekočo fazo lahko pride do blokiranja kompresorja. Zato polnjenje s hladilnim sredstvom izvajajte počasi.

V obdobju nizkih temperatur za vzdrževanje visokega tlaka v jeklenki s plinom ogrejte jeklenko s toplo vodo (pod 40 °C). V nobenem primeru pa ne smete za ogrevanje uporabiti ognja ali pare.



## 8. Napeljava cevododa za vodo

### 8.1. Najmanjša količina vode

Glejte priročnik za namestitev notranje enote.

### 8.2. Razpoložljivo območje (pretok vode, temperatura povratne vode)

Zagotovite navedeni pretok vode in temperaturo v povratni vodovodni napeljavi.

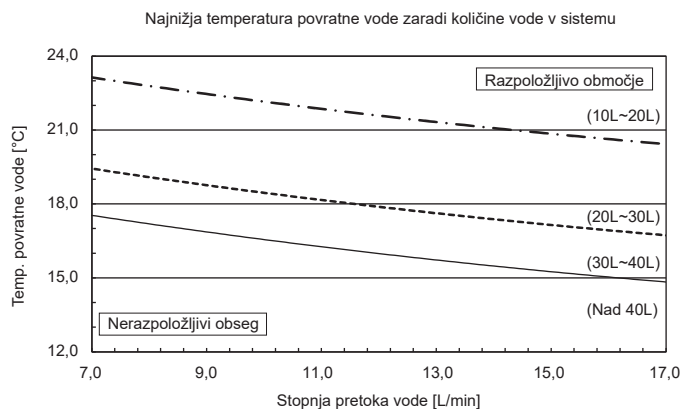
Krivulje na grafu so odvisne od količine vode.

#### ■ Ogrevanje

SUZ-SWM30VA SUZ-SHWM30VAH

SUZ-SWM40VA2 SUZ-SHWM40VAH

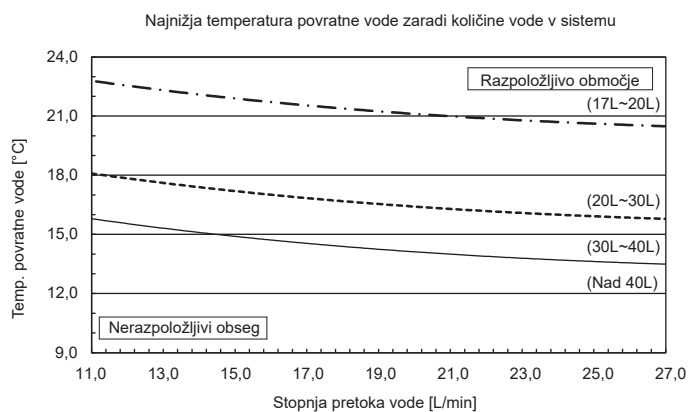
SUZ-SWM60VA2



SUZ-SWM80VA(H)2

SUZ-SWM100VA(H)

SUZ-SHWM60VAH



#### Opomba:

- Med odmrzovanjem se izogibajte nerazpoložljivemu obsegu.

V nasprotnem primeru zunanja enota ni zadostno odmrznjena in/ali izmenjevalnik toplote notranje enote lahko zmrzne.

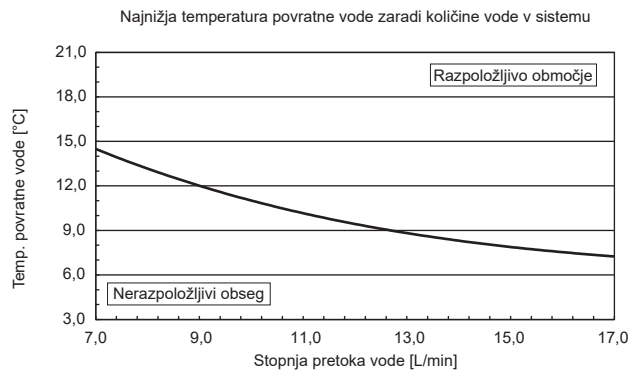
- Če se zunanja temperatura spusti pod  $-15^{\circ}\text{C}$ , temperatura pretoka NE sme biti nižja od  $32^{\circ}\text{C}$ .

Obstaja nevarnost, da ploščati izmenjevalnik toplote zamrzne in se poškoduje, enako velja za zunanji izmenjevalnik toplote, ki lahko zamrzne zaradi nezadostnega odmrzovanja.

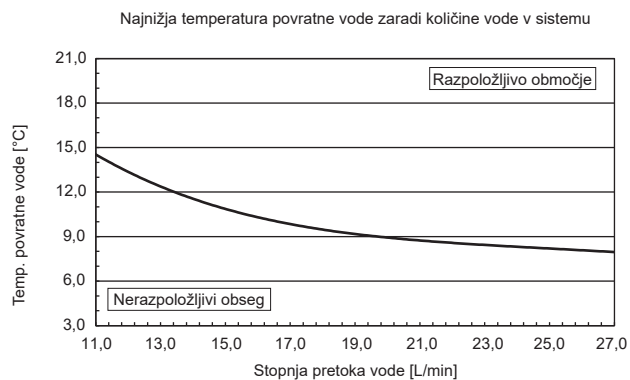
## 8. Napeljava cevododa za vodo

### ■ Hlajenje

SUZ-SWM30VA SUZ-SHWM30VAH  
SUZ-SWM40VA2 SUZ-SHWM40VAH  
SUZ-SWM60VA2



SUZ-SWM80VA(H)2  
SUZ-SWM100VA(H)  
SUZ-SHWM60VAH



#### Opomba:

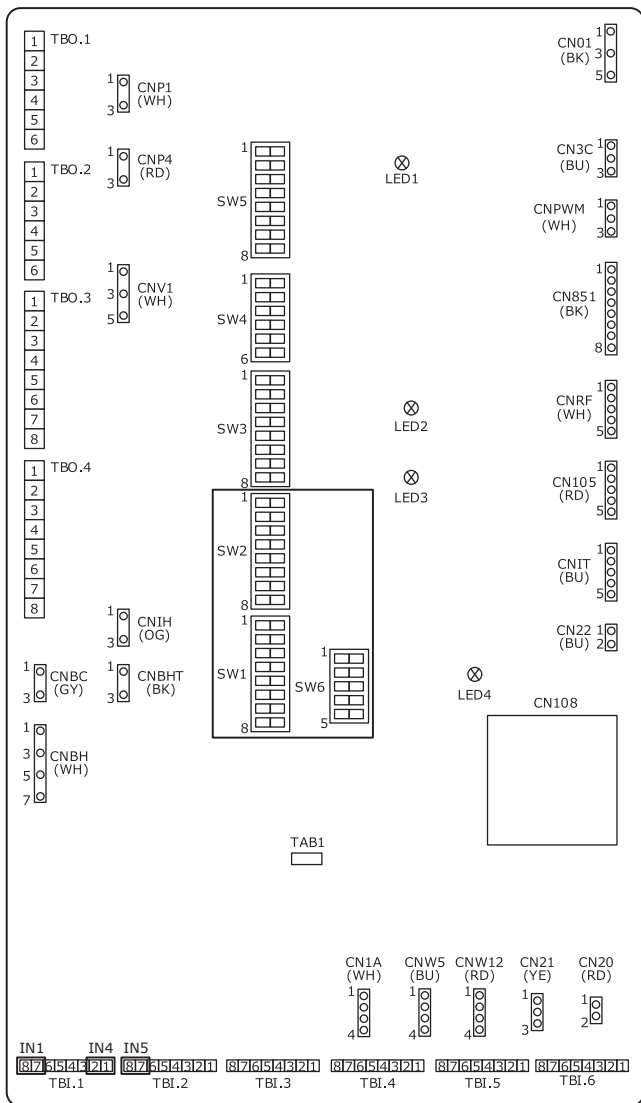
Med odmrzovanjem se izogibajte nerazpoložljivemu obsegu.

V nasprotnem primeru zunanja enota ni zadostno odmrznjena in/ali izmenjevalnik toplote notranje enote lahko zmrzne.

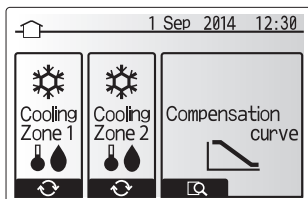
## 9. Izpraznitev sistema

Če želite premestiti ali zavreči zunanjo enoto, izčrpajte cevovod sistema po spodnjem postopku, tako da preprečite izpust hladilnega sredstva v ozračje.

- ① Izključite vse napajanje (vključno z notranjo enoto, grelnikom, zunanjo enoto, itd.)
- ② Na servisni priključek zapornega ventila plinske cevi zunanje enote priključite ventil merilnega razdelilnika.
- ③ Popolnoma zaprite zaporni ventil cevi za tekočino zunanje enote.
- ④ Spremenite nastavitve notranje enote.
  - Na notranji nadzorni plošči nastavite stikalo DIP SW1-3 na OFF (Izklop), SW2-1 na OFF (Izklop), SW2-4 na ON (Vkllop) in SW6-3 na OFF (Izklop).
  - Izklopite vhodne signale IN1 (termostat v sobi 1 vhod), IN4 (vhod nadzorne plošče) in IN5 (vhod zunanjega termostata).

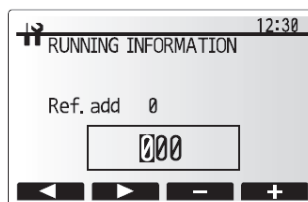
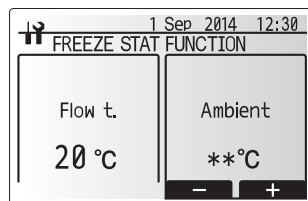
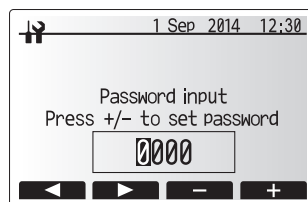


- ⑤ Priključite vse napajanje.
- ⑥ V glavnem meniju glavnega krmilnika notranje enote izberite »Heating/cooling mode« (Način gretje/hlajenje) → »Cooling flow temp.« (Temperatura pri hlajenju).

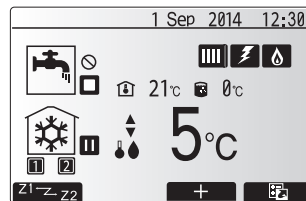
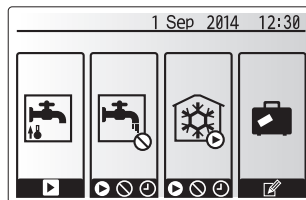


- ⑦ V glavnem meniju izberite »Service« (Servis) in spremenite nastavitve, kot je prikazano spodaj. Pozvani boste, da vnesete geslo. TOVARNIŠKO PRIVZETO GESLO je »0000«.

- Izberite »Operation settings« (Nastavitve delovanja) → »Freeze stat function« (Funkcija preprečevanja zmrzovanja) in nato nastavite minimalno zunanjo temperaturo okolice na \*(zvezdica).
- Izberite »Running Information« (Informacije o izvajanju) in nato nastavite Reference address (Referenčni naslov) na 351.



- ⑧ Izvedite postopek zbiranja hladilnega sredstva.
  - Pritisnite gumb »ON/OFF« (Vkllop/Izklop) na glavnem krmilniku.
  - V opcijskem meniju nastavite »Cooling ON« (Vključitev hlajenja).
  - Nastavitev ciljno temperaturo pretoka na 5 °C. Če sistem nadzira termostat za sobno temperaturo, nastavite ciljno temperaturo prostora na 10 °C. Zbiranje hladilnega sredstva se začne po 60 sekundah.
  - Za podrobnosti o drugih informacijah v nastavitvah glavnega krmilnika, si oglejte navodila za montažo notranje enote.



Nadaljevanje na naslednji strani.

## 9. Izpraznitev sistema

- ⑨ Zaporni ventil plinske cevi zunanje enote popolnoma zaprite, ko merilnik tlaka kaže med 0,05 in 0 MPa [na merilniku] (pribl. 0,5 do 0 kgf/cm<sup>2</sup>) in hitro zaustavite zunanjo enoto.
- Z gumbom »ON/OFF« (Vklop/Izklop) na daljinskem upravljalniku zaustavite zunanjo enoto.
  - \* Če so podaljški cevi zelo dolgi in je v njih velika količina hladilnega sredstva, izvedba postopka prečrpavanja mogoče ne bo možna. V tem primeru črpanje hladilnega sredstva iz sistema izvedite s posebno opremo za prečrpavanje, da ga popolnoma izsesate.
- ⑩ Ponovno nastavite nastavitve glavnega krmilnika, spremenjene v zgornjem ⑨ postopku.
- ⑪ Pritisnite gumb »ON/OFF« (Vklop/Izklop) na glavnem krmilniku notranje za 3 sekunde, da zaustavite enoto.
- ⑫ Ponovno nastavite nastavitve glavnega krmilnika, spremenjene v katerem koli postopku, razen ⑨.
- \* Ponastavitev »Running Information« (Informacije o izvajanju): Nastavite Reference address (Referenčni naslov) na 350.
- ⑬ Ugasnite vsa napajanje in nastavite nastavitve stikala DIP na notranji stikalni plošči, tako kot so bile.
- ⑭ Odstranite ventil za manometer in izključite cevi za hlajenje.



### OPOZORILO:

Ko hladilni tokokrog pušča, NE izvedite izčrpavanja s kompresorjem.

Pri črpanju hladilnega sredstva iz cevododa zaustavite kompresor, preden odklopite cevovod hladilnega sredstva.

- Če cevovod hladilnega sredstva odklopite, dokler kompresor še deluje, in je hkrati zaporni (krogelni) ventil odprt, se lahko tlak sunkovito dvigne, če v hladilni cevovod potegne zrak, kar lahko povzroči pokanje cevi, telesne poškodbe ipd.



### POZOR:

Tega načina HLAJENJA NE uporabljajte pri priključitvi na notranjo enoto, ki ne dovoljuje načina HLAJENJA za noben drug namen, razen izčrpavanja.

## 10. Tehnični podatki

Zunanji model		SUZ-SWM30VA	SUZ-SHWM30VAH	SUZ-SWM40VA2	SUZ-SHWM40VAH	SUZ-SWM60VA2
Napajanje	V / Faza / Hz	230 / Enojen. / 50				
Dimenzije (W × H × D)	mm	800 × 714 × 285				
Raven moči zvoka (gretje)	*1 dB(A)	57	57	57	58	60
	*2 dB(A)	54	54	54	55	56

Zunanji model		SUZ-SHWM60VAH	SUZ-SWM80VA(H)2	SUZ-SWM100VA(H)
Napajanje	V / Faza / Hz	230 / Enojen. / 50		
Dimenzije (W × H × D)	mm	840 × 880 × 330		
Raven moči zvoka (gretje)	*1 dB(A)	60	60	62
	*2 dB(A)	58	59	60

\*1. Izmerjeno pri nazivni frekvenci delovanja pri temperaturi okolice 7 °C DB/6 °C WB in izhodni temperaturi vode 55 °C

\*2. Izmerjeno v skladu z EN12102 pod pogoji EN14825

EU DECLARATION OF CONFORMITY  
EU-KONFORMITÄTSEKTLÄRUNG  
DÉCLARATION DE CONFORMITÉ UE  
EU-CONFORMITEITSVERKLARING  
DECLARACIÓN DE CONFORMIDAD UE  
DICHIARAZIONE DI CONFORMITÀ UE  
ΔΗΛΩΣΗ ΣΥΜΜΟΡΦΩΣΗΣ ΕΕ  
DECLARAÇÃO DE CONFORMIDADE UE  
EU-OVERENSSTEMMELSESEKTLÆRING

EG-DEKLARATION OM ÖVERENSSTÄMMELSE  
AV UYGUNLUK BEYAN  
ДЕКЛАРАЦИЯ СООТВЕТСТВИЯ НОРМАМ ЕС  
ДЕКЛАРАЦІЯ ВІДПОВІДНОСТІ ВИМОГАМ ЄС  
ЕС ДЕКЛАРАЦІЯ ЗА СЪОТВЕТСТВИЕ  
DEKLARACJA ZGODNOŚCI UE  
EU-ERKLÆRING OM SAMSVAR  
EU-VAATIMUSTENMUKAISUUSVAKUUTUS  
EU PROHLÁŠENÍ O SHODĚ

EÚ VYHLÁŠENIE O ZHODE  
EU MEGFELELŐSÉGI NYILATKOZAT  
IZJAVA EU O SKLADNOSTI  
DECLARAȚIE DE CONFORMITATE UE  
EL-I VASTAVUSDEKLARATSIOON  
ES ATBILSTĪBAS DEKLARĀCIJA  
ES ATITIKTIES DEKLARĀCIJA  
EU IZJAVA O SUKLADNOSTI  
EU IZJAVA O USAGLAŠENOSTI

**MITSUBISHI ELECTRIC CONSUMER PRODUCTS (THAILAND) CO., LTD**  
**700/406 MOO 7, TAMBON DON HUA ROH, AMPHUR MUANG, CHONBURI 20000, THAILAND**

hereby declares under its sole responsibility that the air conditioner(s) and heat pump(s) for use in residential, commercial, and light-industrial environments described below:  
erklärt hiermit auf seine alleinige Verantwortung, dass die Klimaanlage(n) und Wärmepumpe(n) für das häusliche, kommerzielle und leichtindustrielle Umfeld wie unten beschrieben:  
déclare par la présente et sous sa propre responsabilité que le(s) climatiseur(s) et la/les pompe(s) à chaleur destinés à un usage dans des environnements résidentiels, commerciaux et d'industrie légère décrits ci-dessous :  
verklaart hierbij onder eigen verantwoordelijkheid dat de voor huishoudelijke, handels- en lichtindustriële omgevingen bestemde airconditioner(s) en warmtepomp(en) zoals onderstaand beschreven:

por la presente declara, bajo su exclusiva responsabilidad, que el(los) acondicionador(es) de aire y la(s) bomba(s) de calor previsto(s) para su uso en entornos residenciales, comerciales y de industria ligera que se describen a continuación:

conferma con la presente, sotto la sua esclusiva responsabilità, che i condizionatori d'aria e le pompe di calore destinati all'utilizzo in ambienti residenziali, commerciali e semi-industriali e descritti di seguito:

με το παρόν δηλώνει με αποκλειστική ευθύνη ότι το ή τα κλιματιστικά και η ή οι αντλίες θερμότητας για χρήση σε οικιακά, εμπορικά και επαγγελματικά περιβάλλοντα που περιγράφονται παρακάτω:

declara pela presente, e sob sua exclusiva responsabilidade, que o(s) aparelho(s) de ar condicionado e a(s) bomba(s) de calor destinados a utilização em ambientes residenciais, comerciais e de indústria ligeira descritos em seguida:

erklærer hermed under eneansvar, at det/de herunder beskrevne airconditionanlæg og varmepumpe(r) til brug i beboelses- og erhvervs miljøer samt i miljøer med let industri:

intyggar härmed att luftkonditioneringarna och värmepumparna som beskrivs nedan för användning i bostäder, kommersiella miljöer och lätta industriella miljöer:

ev, ticaret ve hafif sanayi ortamlarında kullanıma yönelik aşağıda açıklanan klima ve ısıtma pompalarıyla ilgili aşağıdaki hususları yalnızca kendi sorumluluğunda olmak üzere beyan eder:

настоящим заявляет под свою исключительную ответственность, что кондиционер (-ы) и тепловой (-ые) насос (-ы) для использования в описанных ниже жилых, коммерческих и небольших складских и промышленных помещениях:

цим заявляю, беручи на себе повну відповідальність за це, що кондиціонер (-и) й тепловий (-и) насос (-и), описані нижче й призначені для використання в житлових приміщеннях, торговельних залах і на підприємствах легкої промисловості:

декларира с настоящата на своя собствена отговорност, че климатикъ(т)е и термомпата(ите), посочени по-долу и предназначени за употреба в жилищни, търговски и лекопромишлени среди:

niniejszym oświadczam na swoją wyłączną odpowiedzialność, że klimatyzatory i pompy ciepła do zastosowań w środowisku mieszkalnym, handlowym i lekko przemysłowym opisane poniżej:

erklærer et fullstendig ansvar for undernevnte klimaapparat og varmepumper ved bruk i boliger, samt kommersielle og lettindustrielle miljøer:

vakuuttaa täten yksinomaista vastuutaan, että jäljempänä kuvutat asuinrakennuksiin, pienteeollisuuskäyttöön ja kaupalliseen käyttöön tarkoitettuihin ilmastointilaitteisiin ja lämpöpumpuihin:

tímto na vlastní odpovědnost prohlašuje, že níže popsané klimatizační jednotky a tepelná čerpadla pro použití v obytných prostředích, komerčních prostředích a prostředích lehkého průmyslu:

týmto na svoju výlučnú zodpovednosť vyhlasuje, že nasledovné klimatizačné jednotky a tepelné čerpadlá určené na používanie v obytných a obchodných priestoroch a v prostredí ľahkého priemyslu:

alulírott kizárólagos felelősségére nyilatkozik, hogy az alábbi lakossági, kereskedelmi és kisipari környezetben való használatra szánt klímaberendezés(ek) és hőszivattyú(k):

na lastno odgovornost izjavlja, da so spodaj opisane klimatske naprave in toplotne črpalke, namenjene za uporabo v stanovanjskih, poslovnih in lahkoindustrijskih okoljih:

declară prin prezenta, pe proprie răspundere, faptul că aparatele de climatizare și pompele de căldură descrise mai jos și destinate utilizării în medii rezidențiale, comerciale și din industria ușoară:

kinnitab oma ainuvastutust, et allpool toodud elu-, äri- ja kergtööstuskeskkondades kasutamiseks mõeldud kliimaseadmed ja soojuspumbad:

ar šo, vienpersoniski uzņemoties atbildību, paziņo, ka tālāk aprakstītais(-tie) gaisa kondicionētājs(-i) un siltumsūkņis(-i) ir paredzēti lietošanai dzīvojamajās, komercdarbības un vieglās rūpniecības telpās, kas aprakstītas tālāk:

šiuo vien tik savo atsakomybe pareiškia, kad toliau apibūdintas (-i) oro kondicionierius (-iai) ir šilumos siurblys (-iai), skirtas (-i) naudoti toliau apibūdintose gyvenamosiose, komercinėse ir lengvosios pramonės aplinkose:

ovime izjavljuje pod isključivom odgovornošću da je/su klimatizacijski uređaji(i) i toplinska dizalica(e) opisan(i) u nastavku namijenjen(i) za upotrebu u stambenim i poslovnim okruženjima te okruženjima lake industrije:

ovim izjavljuje na svoju isključivu odgovornost da su klima-uređaji i toplotne pumpe za upotrebu u stambenim, komercijalnim okruženjima i okruženjima lake industrije opisani u nastavku:

**MITSUBISHI ELECTRIC, SUZ-SWM30VA\*, SUZ-SWM40VA\*, SUZ-SWM60VA\*, SUZ-SWM80VA\*, SUZ-SWM100VA\***  
**SUZ-SHWM30VAH\*, SUZ-SHWM40VAH\*, SUZ-SHWM60VAH\*, SUZ-SWM80VAH\*, SUZ-SWM100VAH\***  
**\* : , , 1, 2, 3, , , , 9**

is/are in conformity with provisions of the following Union harmonisation legislation.  
die Bestimmungen der folgenden Harmonisierungsrechtsvorschriften der Union erfüllen/

erfüllen.  
est/sont conforme(s) aux dispositions de la législation d'harmonisation de l'Union

suivante.  
voldoet/voldoen aan bepalingen van de volgende harmonisatiewetgeving van de Unie.

cumple(n) con las disposiciones de la siguiente legislación de armonización de la Unión.

sono in conformità con le disposizioni della seguente normativa dell'Unione sull'armonizzazione.

συμμορφώνονται με τις διατάξεις της ακόλουθης νομοθεσίας εναρμόνισης της Ένωσης.

está/estão em conformidade com as disposições da seguinte legislação de harmonização da União.

er i overensstemmelse med bestemmelse i følgende harmoniserede EU-lovgivning.

uppfyller villkoren i följande harmoniserade föreskrifter inom unionen.

აşağıdaki Avrupa Birliği uyumlaştırma mevzuatının hükümlerine uygundur.

соответствуют положениям следующих законодательных актов Союза о гармонизации.

2014/35/EU: Low Voltage Directive  
2006/42/EC: Machinery Directive  
2014/30/EU: Electromagnetic Compatibility Directive  
2011/65/EU, (EU) 2015/863 and (EU) 2017/2102: RoHS Directive  
2009/125/EC: Energy-related Products Directive and Regulation (EU) No 813/2013

відповідають положенням вказаного далі законодавства Союзу щодо гармонізації.  
е/са в съответствие с разпоредбите на следното законодателство на Съюза за

хармонизация.  
są zgodne z przepisami następującego unijnego prawodawstwa harmonizacyjnego.

er i samsvar med forskriftene til følgende EU-lovgivning om harmonisering.

ovat seuraavan unionin yhdenmukaistamislainsäädännön säännösten mukaisia.

jsou v souladu s ustanoveními následujících harmonizačních právních předpisů Unie.

spĺňajú ustanovenia nasledujúcich harmonizovaných noriem EÚ.

megfelel(nek) az Unió alábbi harmonizációs jogszabályi előírásainak.

v skladu z določbami naslednje usklajevalne zakonodaje Unije.

sunt în conformitate cu dispozițiile următoare legislații de armonizare a Uniunii.

atbilst šādiem ES harmonizētajiem tiesību aktu noteikumiem.

taip pat atitinka kitų toliau išvardytų suderintųjų Sąjungos direktyvų nuostatas.

sukladan(i) odredbama sljedećeg zakonodavstva Unije za sukladnost.

u skladu sa odredbama sledećeg usklađivanja zakonodavstva Unije.

## <ENGLISH>

English is original. The other languages versions are translation of the original.

### ▲ CAUTION

- Refrigerant leakage may cause suffocation. Provide ventilation in accordance with EN378-1.
- Be sure to wrap insulation around the piping. Direct contact with the bare piping may result in burns or frostbite.
- Never put batteries in your mouth for any reason to avoid accidental ingestion.
- Battery ingestion may cause choking and/or poisoning.
- Install the unit on a rigid structure to prevent excessive operation sound or vibration.
- The A-weighted sound pressure level is below 70dB.
- This appliance is intended to be used by expert or trained users in shops, in light industry and on farms, or for commercial use by lay persons.

## <DEUTSCH>

Das Original ist in Englisch. Die anderen Sprachversionen sind vom Original übersetzt.

### ▲ VORSICHT

- Wenn Kältemittel austritt, kann dies zu Ersticken führen. Sorgen Sie in Übereinstimmung mit EN378-1 für Durchlüftung.
- Die Leitungen müssen isoliert werden. Direkter Kontakt mit nicht isolierten Leitungen kann zu Verbrennungen oder Erfrierungen führen.
- Nehmen Sie niemals Batterien in den Mund, um ein versehentliches Verschlucken zu vermeiden.
- Durch das Verschlucken von Batterien kann es zu Erstickungen und/oder Vergiftungen kommen.
- Installieren Sie das Gerät auf einem stabilen Untergrund, um übermäßige Betriebsgeräusche oder -schwingungen zu vermeiden.
- Der A-gewichtete Schalldruckpegel ist niedriger als 70dB.
- Dieses Gerät ist vorgesehen für die Nutzung durch Fachleute oder geschultes Personal in Werkstätten, in der Leichtindustrie und in landwirtschaftlichen Betrieben oder für die kommerzielle Nutzung durch Laien.

## <FRANÇAIS>

L'anglais est l'original. Les versions fournies dans d'autres langues sont des traductions de l'original.

### ▲ PRECAUTION

- Une fuite de réfrigérant peut entraîner une asphyxie. Fournissez une ventilation adéquate en accord avec la norme EN378-1.
- Assurez-vous que la tuyauterie est enveloppée d'isolant. Un contact direct avec la tuyauterie nue peut entraîner des brûlures ou des engelures.
- Ne mettez jamais des piles dans la bouche pour quelque raison que ce soit pour éviter de les avaler par accident.
- Le fait d'ingérer des piles peut entraîner un étouffement et/ou un empoisonnement.
- Installez l'appareil sur une structure rigide pour prévenir un bruit de fonctionnement et une vibration excessifs.
- Le niveau de pression acoustique pondéré est en dessous de 70 dB.
- Cet appareil est conçu pour un utilisateur expert ou les utilisateurs formés en magasin, dans l'industrie légère et dans l'agriculture ou dans le commerce par le profane.

## <NEDERLANDS>

Het Engels is het origineel. De andere taalversies zijn vertalingen van het origineel.

### ▲ VOORZICHTIG

- Het lekken van koelvloeistof kan verstikking veroorzaken. Zorg voor ventilatie in overeenstemming met EN378-1.
- Isoleer de leidingen met isolatiemateriaal. Direct contact met de onbedekte leidingen kan leiden tot brandwonden of bevriezing.
- Stop nooit batterijen in uw mond om inslikking te voorkomen.
- Het inslikken van batterijen kan verstikking of vergiftiging veroorzaken.
- Installeer het apparaat op een stabiele structuur om overmatig lawaai of trillingen te voorkomen.
- Het niveau van de geluidsdruk ligt onder 70 dB(A).
- Dit apparaat is bedoeld voor gebruik door ervaren of opgeleide gebruikers in werkplaatsen, in de lichte industrie en op boerderijen, of voor commercieel gebruik door leken.

## <ESPAÑOL>

El idioma original del documento es el inglés. Las versiones en los demás idiomas son traducciones del original.

### ▲ CUIDADO

- Las pérdidas de refrigerante pueden causar asfixia. Se debe proporcionar la ventilación determinada en EN378-1.
- Asegúrese de colocar el aislante alrededor de las tuberías. El contacto directo con la tubería puede ocasionar quemaduras o congelación.
- Para evitar una ingestión accidental, no coloque las pilas en su boca bajo ningún concepto.
- La ingestión de las pilas puede causar asfixia y/o envenenamiento.
- Coloque la unidad en una estructura rígida para evitar que se produzcan sonidos o vibraciones excesivos debidos a su funcionamiento.
- El nivel de presión acústica ponderado A es inferior a 70 dB.
- Este aparato está destinado a su uso por parte de usuarios expertos o capacitados en talleres, industrias ligeras y granjas, o a su uso comercial por parte de personas no expertas.

## <ITALIANO>

Il testo originale è redatto in lingua Inglese. Le altre versioni linguistiche rappresentano traduzioni dell'originale.

### ▲ ATTENZIONE

- Le perdite di refrigerante possono causare asfissia. Prevedere una ventilazione adeguata in conformità con la norma EN378-1.
- Accertarsi di applicare materiale isolante intorno alle tubature. Il contatto diretto con le tubature non schermate può provocare ustioni o congelamento.
- Non introdurre in nessun caso le batterie in bocca onde evitare ingestioni accidentali.
- L'ingestione delle batterie può provocare soffocamento e/o avvelenamento.
- Installare l'unità su una struttura rigida in modo da evitare rumore o vibrazioni eccessivi durante il funzionamento.
- Il livello di pressione del suono ponderato A è inferiore a 70dB.
- Questa apparecchiatura è destinata all'utilizzo da parte di utenti esperti o addestrati in negozi, industria leggera o fattorie oppure a un uso commerciale da parte di persone non esperte.

## <ΕΛΛΗΝΙΚΑ>

Η γλώσσα του πρωτοτύπου είναι η αγγλική. Οι εκδόσεις άλλων γλωσσών είναι μεταφράσεις του πρωτοτύπου.

### ▲ ΠΡΟΣΟΧΗ

- Η διαρροή του ψυκτικού ενδέχεται να προκαλέσει ασφυξία. Φροντίστε για τον εξαερισμό σύμφωνα με το πρότυπο EN378-1.
- Φροντίστε να τυλίξετε με μονωτικό υλικό τη σωλήνωση. Η απευθείας επαφή με τη γυμνή σωλήνωση ενδέχεται να προκαλέσει εγκαύματα ή κρυοπαγήματα.
- Μη βάζετε ποτέ τις μπαταρίες στο στόμα σας για κανένα λόγο ώστε να αποφύγετε την κατά λάθος κατάποσή τους.
- Η κατάποση μπαταριών μπορεί να προκαλέσει πνιγμό ή/και δηλητηρίαση.
- Εγκαταστήστε τη μονάδα σε σταθερή κατασκευή ώστε να αποφύγετε τον έντονο ήχο λειτουργίας ή τους κραδασμούς.
- Η Α-σταθμισμένη στάθμη ηχητικής πίεσης είναι κάτω των 70dB.
- Η Α-σταθμισμένη στάθμη ηχητικής πίεσης είναι κάτω των 70dB.
- Η συσκευή αυτή προορίζεται για χρήση από εμπειροπρόσωπους ή εκπαιδευμένους χρήστες σε καταστήματα, στην ελαφριά βιομηχανία και σε αγροκτήματα, ή για εμπορική χρήση από άτομα τα οποία δεν είναι ειδήμονες.

## <PORTUGUÊS>

O idioma original é o inglês. As versões em outros idiomas são traduções do idioma original.

### ▲ CUIDADO

- A fuga de refrigerante pode causar asfixia. Garanta a ventilação em conformidade com a norma EN378-1.
- Certifique-se de que envolva as tubagens com material de isolamento. O contacto directo com tubagens não isoladas pode resultar em queimaduras ou ulcerações provocadas pelo frio.
- Nunca coloque pilhas na boca, por nenhum motivo, para evitar a ingestão accidental.
- A ingestão de uma pilha pode causar obstrução das vias respiratórias e/ou envenenamento.
- Instale a unidade numa estrutura robusta, de forma a evitar ruídos ou vibrações excessivos durante o funcionamento.
- O nível de pressão sonora ponderado A é inferior a 70 dB.
- Este equipamento destina-se a ser utilizado por especialistas ou utilizadores com formação em lojas, na indústria ligeira e em quintas, ou para utilização comercial por leigos.

## <DANSK>

Engels er originalen. De andre sprogversioner er oversættelser af originalen.

### ▲ FORSIGTIG

- Lækage af kølemiddel kan forårsage kvælning. Sørg for udluftning i overensstemmelse med EN378-1.
- Sørg for at pakke rørene ind i isolering. Direkte kontakt med ubeklædte rør kan forårsage forbrændinger eller forfrysninger.
- Batterier må under ingen omstændigheder tages i munden for at forhindre utilsigtet indtagelse.
- Indtagelse af batterier kan forårsage kvælning og/eller forgiftning.
- Installer enheden på en fast struktur for at forhindre for høje driftslyde eller vibrationer.
- Det A-vægtede lydtrykniveau er under 70dB.
- Dette apparat er beregnet til at blive brugt af eksperter eller udlærte brugere i butikker, inden for let industri og på gårde eller til kommerciel anvendelse af lægmænd.

## <SVENSKA>

Engelska är originalspråket. De övriga språkversionerna är översättningar av originalet.

### ▲ FÖRSIKTIGHET

- Köldmedelsläckage kan leda till kvävning. Tillhandahåll ventilation i enlighet med EN378-1.
- Kom ihåg att linda isolering runt rören. Direktkontakt med bara rör kan leda till brännskador eller köldskador.
- Stoppa aldrig batterier i munnen, de kan sväljas av misstag.
- Om ett batteri sväljs kan det leda till kvävning och/eller förgiftning.
- Montera enheten på ett stadigt underlag för att förhindra höga driftljud och vibrationer.
- Den A-vägdade ljudtrycksnivån är under 70dB.
- Denna apparat är ämnad för användning av experter eller utbildade användare i affärer, inom lätt industri och på lanbruk, eller för kommersiell användning av lekmän.

## <TÜRKÇE>

Aslı İngilizce'dir. Diğer dillerdeki sürümler aslının çevirisidir.

### ▲ DİKKAT

- Soğutucu kaçağı boğulmaya neden olabilir. EN378-1 uyarınca uygun havalandırma sağlayın.
- Borular etrafına yalıtım yapıldığından emin olun. Borulara doğrudan çıplak elle dokunulması yanıklara veya soğuk ısırıklarına neden olabilir.
- Kazara yutmamak için, pilleri kesinlikle hiçbir amaçla ağzınızda tutmayın.
- Pillerin yutulması boğulmaya ve/veya zehirlenmeye yol açabilir.
- Aşırı çalıma seslerini veya titreşimi önlemek için, üniteyi sağlam bir yapı üzerine monte edin.
- A ağırıklı ses gücü seviyesi 70dB'nin altındadır.
- Bu cihaz tıbbiyleerde, hafif endüstriyel tesislerde ve çiftliklerde uzman veya eğitimli kullanıcılar tarafından kullanılmak üzere veya normal kullanıcılar tarafından ticari kullanım için tasarlanmıştır.

## <РУССКИЙ>

Языком оригинала является английский. Версии на других языках являются переводом оригинала.

### ▲ ОСТОРОЖНО

- Утечка хладагента может стать причиной удушья. Обеспечьте вентиляцию в соответствии с EN378-1.
- Обязательно оберните трубы изоляционным материалом. Непосредственный контакт с неизолированным трубопроводом может привести к ожогам или обморожению.
- Запрещается класть элементы питания в рот по каким бы то ни было причинам во избежание случайного проглатывания.
- Попадание элемента питания в пищеварительную систему может стать причиной удушья и/или отравления.
- Устанавливайте устройство на жесткую структуру во избежание чрезмерного шума или чрезмерной вибрации во время работы.
- Уровень звукового давления по шкале A не превышает 70 дБ.
- Данное устройство предназначено для использования специалистами или обученным персоналом в магазинах, на предприятиях легкой промышленности и фермах или для коммерческого применения не-профессионалами.

## <УКРАЇНСЬКА>

Переклад оригіналу. Текст іншими мовами є перекладом оригіналу.

### ▲ ОБЕРЕЖНО

- Виток холодагента може призвести до удушся. Необхідно забезпечити вентиляцію відповідно до стандарту EN 378-1.
- Труби необхідно обмотати ізоляційним матеріалом. Прямий контакт із непокритою трубою може призвести до опіку або обмороження.
- Забороняється класти елементи живлення в рот із будь-яких причин, оскільки є ризик випадково їх проковтнути.
- Попадання елемента живлення в травну систему може стати причиною задхуки та/або отруєння.
- Встановлюйте блок на міцній конструкції, щоб уникнути надмірного рівня звуку роботи або вібрації.
- Рівень амплітудно зваженого акустичного тиску становить нижче 70 дБ.
- Цей прилад призначається для використання спеціалістами або особами, що пройшли відповідне навчання, у кранницях, легкій промисловості та сільськогосподарських підприємствах, а також для комерційного використання неспеціалістами.

## <БЪЛГАРСКИ>

Оригиналът е текстът на английски език. Версиите на други езици са преводи на оригинала.

### ▲ ВНИМАНИЕ

- Изтичането на хладилен агент може да причини задушаване. Осигурете вентилация съобразно с EN378-1.
- Не забравяйте да уветите изолация около тръбите. Директният контакт с оголени тръби може да причини изгаряне или измръзване.
- При никакви обстоятелства не поставяйте батериите в устата си, за да не ги поглънете по невнимание.
- Това може да доведе до задушаване и/или натравяне.
- Монтирайте тялото върху твърда конструкция, за да предотвратите прекомерен шум или вибрации по време на работа.
- А-претегленото ниво на звуково налягане е под 70 dB.
- Този уред е предназначен за използване от експерти или обучени потребители в магазини, в леката промисленост и във ферми, или за търговска употреба от неспециалисти.

## <POLSKI>

Językiem oryginalu jest język angielski. Inne wersje językowe stanowią tłumaczenie oryginalu.

### ▲ UWAGA

- Wyciek czynnika chłodniczego może spowodować uduszenie. Należy zapewnić wentylację zgodnie z normą EN378-1.
- Należy pamiętać, aby owinąć izolację wokół przewodów rurowych. Bezpośredni kontakt z niezabezpieczonymi przewodami rurowymi może doprowadzić do poparzeń lub odmrożeń.
- Nie wolno wkładać baterii do ust z jakiegokolwiek powodu, aby uniknąć przypadkowego połknięcia.
- Połknięcie baterii może spowodować zadławienie i/lub zatrucie.
- Zainstalować urządzenie na sztywnej konstrukcji, aby zapobiec nadmieremu hałasowi i wibracjom.
- Poziom dźwięku A nie przekracza 70 dB.
- W sklepach, w przemyśle lekkim i w gospodarstwach rolnych urządzenia powinni obsługiwać profesjonalni lub przeszkoleni użytkownicy, a w środowisku handlowym mogą to być osoby nieposiadające fachowej wiedzy.

## <NORSK>

Originalspråket er engelsk. De andre språkversjonene er oversettelser av originalen.

### ▲ FORSIKTIG

- Kjølemiddellekkasje kan forårsake kvelling. Sørg for ventilering i samsvar med EN378-1.
- Pass på at isoleringen pakkes godt rundt røret. Direkte kontakt med ukledte rør kan forårsake brannskader eller forfrysninger.
- Aldri plasser batteri i munnen, da dette kan medføre en risiko for at du svelger batteriet ved et uhell.
- Hvis du svelger et batteri, kan du risikere kvelling og/eller forgiftning.
- Installer enheten på en stabil struktur for å forhindre uønsket mye driftsstøy eller vibrering.
- Det A-vektede lydtrykknivået er under 70 dB.
- Dette apparatet er ment for bruk av eksperter eller faglært personell i butikker, lettindustri og på gårder, eller for kommersielt bruk av ikke-fagmenn.

## <SUOMI>

Englantia on alkuperäinen. Muut kieliversiot ovat alkuperäiskappaleen käännoksiä.

### ▲ HUOMIO

- Vuotava kylmäaine voi aiheuttaa tukehtumisen. Ilmanvaihdon on oltava EN378-1-standardin mukainen.
- Kääri putken ympärille eristysmateriaalia. Paljaan putken koskettamisesta voi seurata palolta paleltumavammoja.
- Älä koskaan laita paristoja suuhun, jotta et vahingossa nielaisisi niitä.
- Paristojen nieleminen voi aiheuttaa tukehtumisen ja/tai myrkytyksen.
- Asenna yksikkö tukeviin rakenteisiin, jotta sen käytöstä ei syntyisi ylimääräistä ääntä tai värinää.
- A-painotettu äänenpainetaso on alle 70 dB.
- Laite on tarkoitettu asiantuntijoiden tai laitteelle koulutuksen saaneiden käyttöön kaupossa, pienteollisuudessa ja maataloilla tai maailloille kaupalliseen käyttöön.

## <ČEŠTINA>

Originál je v angličtině. Ostatní jazykové verze jsou překladem originálu.

### ▲ POZOR

- Únik chladicího média může způsobit udusění. Zajistěte větrání v souladu s normou EN 378-1.
- Okolo potrubí vždy omotejte izolací. Přímý kontakt s obnaženým potrubím může způsobit popálení nebo omrzlinu.
- Nikdy nevkládejte baterie do úst, aby nedošlo k jejich polknutí.
- Polknutí baterie může způsobit zadušení a/nebo otrávu.
- Jednotku nainstalujte na pevnou konstrukci, aby nedocházelo ke vzniku nadměrného provozního hluku a vibrací.
- Hladina akustického tlaku A je nižší než 70 dB.
- Toto zařízení je určeno pro prodejní, lehký průmysl a farmy, kde je musí obsluhovat odborníci a školení uživatelé, a pro komerční použití, kde je mohou obsluhovat laici.

## <SLOVENČINA>

Peklad anglického originálu. Všetky jazykové verzie sú preložené z angličtiny.

### ▲ UPOZORNENIE

- Únik chladiva môže spôsobiť udusenie. Zabezpečte vetranie podľa normy EN 378-1.
- Nezabudnite potrubie obaliť izoláciou. Priamy kontakt s nezabaleným potrubím môže spôsobiť popálenie alebo omrzliny.
- Baterie si nikdy z akéhokoľvek dôvodu nekladte do úst, aby nedošlo k ich náhodnému požitiu.
- Požitie batérií môže vyvolať dusenie a/alebo otrávu.
- Nainštalujte jednotku na pevný konštrukčný prvok, aby ste obmedzili nadmerný prevádzkový hluk a vibrácie.
- Hladina akustického tlaku A je nižšia ako 70 dB.
- Toto zariadenie je určené na používanie odborníkmi alebo zaškolenými používateľmi v komerčných priestoroch, v prostredí ľahkého priemyslu, na farmách, alebo na komerčné použitie bežnými používateľmi.

## <MAGYAR>

Az angol változat az eredeti. A többi nyelvi változat az eredeti fordítása.

### ▲ VIGYÁZAT

- A hűtőközeg szivárgása fulladást okozhat. Gondoskodjon az EN378-1 szabvány előírásai szerinti szellőzéssről.
- Feltétlenül szigetelje körbe a csöveket. A csupaszcső megérintése égési vagy fagyási sérülést okozhat.
- Ne vegyen a szájába elemet semmilyen célból, mert véletlenül lenyelheti!
- A lenyelt elem fulladást és/vagy mérgezést okozhat.
- A készülék merev szerkezetre szerelje fel, hogy megakadályozza a túlzott üzemi zajt és vibrációt.
- Az A-súlyozott hangnyomásszint 70 dB alatt van.
- A készülék üzletek, a könnyűipar és gazdaságok szakértő vagy képzett felhasználói, valamint laikus felhasználók általi kereskedelmi használatra készült.

## <SLOVENŠČINA>

Izvirnik je v angleščini. Druge jezikovne različice so prevodi izvirnika.

### ▲ POZOR

- Puščanje hladiva lahko povzroči zadušenje. Zagotovite prezračevanje po standardu EN378-1.
- Cevi ovijte z izolacijo. Neposredni stik z golimi cevimi lahko povzroči opekline ali ozeblino.
- Nikoli in iz nobenega razloga ne vstavljajte baterij v usta, da jih po nesreči ne pogoltnete.
- Če baterije pogoltnete, se lahko zadužite in/ali zastropite.
- Enoto namestite na togo konstrukcijo, da preprečite pretiran zvok ali tresenje med delovanjem.
- A-utežena raven zvočnega tlaka je pod 70 dB.
- Naprava je namenjena za uporabo s strani strokovnih ali ustrezno usposobljenih uporabnikov v trgovinah, lahki industriji in na kmetijah ter za komercialno uporabo s strani nestrokovnih uporabnikov.

## <ROMÂNĂ>

Textul original este în limba engleză. Versiunile pentru celelalte limbi sunt traduceri ale originalului.

### ▲ ATENȚIE

- Scurgerea de agent frigorific poate cauza asfixierea. Asigurați o ventilație corespunzătoare, conform standardului EN378-1.
- Asigurați-vă că înfășurați materialul izolator în jurul conductelor. Contactul direct cu conductele neizolate se poate solda cu arsuri sau degerături.
- Nu introduceți niciodată și pentru niciun motiv bateriile în gură, pentru a evita ingerarea accidentală a acestora.
- Ingerarea bateriilor poate cauza sufocarea și/sau intoxicația.
- Instalați unitatea pe o structură rigidă pentru a preveni producerea unui nivel excesiv de sunete sau vibrații.
- Nivelul de presiune acustică ponderat în A este mai mic de 70 dB.
- Acest aparat este destinat utilizării de către utilizatori specializați sau instruiți în cadrul spațiilor comerciale, spațiilor din cadrul industriei ușoare și al fermelor sau în scopuri comerciale de către nespecialiști.

## <EESTI>

Originaaljuhend on ingliskeelne. Muudes keeltes versioonid on originaali tõlked.

### ▲ ETTEVAATUST!

- Külmaaine leke võib põhjustada lämbumist. Tuulutamine standardi EN378-1 kohaselt.
- Mähkige torude ümber kindlasti isolatsiooni. Vahetu kontakt paljaste torudega võib põhjustada põletusi või külmakahjustusi.
- Hoiduge patareide tahtmatust allaneelamisest, ärge kunagi pange ühelgi põhjusel patareisid suhu.
- Patarei allaneelamine võib põhjustada lämbumist ja/või mürgitust.
- Paigaldage seade järgale struktuurile, et vältida ülemäärast tööheli ja vibreerimist.
- A-filtriga helirõhu tase on madalam kui 70 dB.
- Seade on mõeldud kasutamiseks asjatundjatele ja väljapoole läbinud kasutajatele poodides, kergtööstuses ja taludes ning komertskasutuseks tavaisikute poolt.

## <LATVIŠKI>

Orīģināls ir angļu valodā. Versijas citās valodās ir oriģināla tulkojums.

### ▲ UZMANĪBU

- Aukstumaģenta noplūdes gadījumā pastāv nosmakšanas risks. Ir jānodrošina standartam EN378-1 atbilstoša ventilācija.
- Aptiniet caurules ar izolējošu materiālu. Pieskaroties neaptītām caurulēm, var gūt apdegumus vai apsaldējumus.
- Aizliegts ievietot baterijas mutē; pastāv norīšanas risks.
- Bateriju norīšana var izraisīt aizrīšanas un/vai saindēšanas.
- Uzstādiet iekārtu uz izturīgas struktūras, lai izvairītos no pārlieku liela darbības trokšņa vai vibrācijas.
- A — izsvārotais skaņas spiediena līmenis ir mazāks par 70 dB.
- Šo iekārtu paredzēts lietot speciālistiem vai apmācītiem lietotājiem veikalos, vieglās rūpniecības telpās un lauksaimniecības fermās, kā arī to var lietot nespeciālisti komerciālam vajadzībām.

## <LIETUVIŠKAI>

Originalas yra anglų k. Versijos kitomis kalbomis yra originalo vertimas.

### ▲ ATSARGIAI

- Dėl šaltnešio nuotėkio galima užduštis. Išvėdinkite patalpas pagal EN378-1.
- Būtina vamzdelius apvyniokite izoliacija. Prisilietus prie plikų vamzdelių galima nusideginti arba nušalti.
- Siekdami išvengti atsitiktinio prarijimo, niekada nedėkite baterijų į burną.
- Prarijus bateriją galima užspringti ir / arba apsinuodyti.
- Įrenginį sumontuokite ant tvirtos struktūros, kad nesigirdėtų pernelyg didelio veikimo triukšmo ar vibracijos.
- A svertinis garso slėgio lygis nesiekia 70 dB;
- Šis prietaisas skirtas naudoti specialistui ar išmokytiems naudotojams dirbtuvėse, lengvojoje pramonėje ar ūkiuose arba komerciniam naudojimui nespecialistams.

## <HRVATSKI>

Tekst je izvorno napisan na engleskom jeziku. Tekst na ostalim jezicima predstavlja prijevod izvorno napisanog teksta.

### ▲ OPREZ

- Curenje rashladnog sredstva može uzrokovati gušenje. Osigurajte ventilaciju u skladu s normom HR EN378-1.
- Obavezno stavite izolaciju oko položenih cijevi. Izravni doticaj s golim cijevima može dovesti do opekline ili smrzanja.
- Nikada ne stavljajte baterije u usta ni zbog kojeg razloga kako biste izbjegli slučajno gutanje.
- Gutanje baterija može prouzročiti gušenje i/ili trovanje.
- Postavite jedinicu na čvrstu strukturu kako biste izbjegli prebučan zvuk tijekom rada ili pojavu vibracija.
- Razina zvučnog tlaka A niža je od 70dB.
- Ovak uređaj mogu upotrebljavati stručnjaci ili osposobljeni korisnici u trgovinama, lakoj industriji i na poljoprivrednim gospodarstvima ili laici u komercijalne svrhe.

## <SRPSKI>

Prevod originala. Verzije na drugim jezicima su prevodi originala.

### ▲ OPREZ

- Curenje rashladne tečnosti može da dovede do gušenja. Obezbedite ventilaciju u skladu sa EN378-1.
- Obavezno obmotajte izolaciju oko cevi. Direktna kontakta sa golom cevii može izazvati opekotine ili promrzline.
- Nikada nemojte stavljati baterije u usta iz bilo kog razloga, kako bi se sprečilo slučajno gutanje.
- Gutanje baterija može da izazove gušenje i/ili trovanje.
- Ugradite jedinicu na čvrstu strukturu kako biste sprečili previše jak zvuk rada ili vibracije.
- A-ponderisani nivo jačine pritiska zvuka je ispod 70 dB.
- Ovak uređaj je namenjen za upotrebu od strane stručnih ili obučanih korisnika u prodavnicama, u lakoj industriji i na farmama ili za komercijalnu upotrebu od strane nekvalifikovanih lica.

Please be sure to put the contact address/telephone number on this manual before handing it to the customer.

**mitsubishi electric corporation**

HEAD OFFICE: TOKYO BUILDING, 2-7-3, MARUNOUCHI, CHIYODA-KU, TOKYO 100-8310, JAPAN



# Air to Water Heat Pump SUZ-SWM·VA(H) series SUZ-SHWM·VAH series

INSTALLATION MANUAL	FOR INSTALLER	English
INSTALLATIONSHANDBUCH	FÜR INSTALLATEURE	Deutsch
MANUEL D'INSTALLATION	POUR L'INSTALLATEUR	Français
INSTALLATIEHANDLEIDING	VOOR DE INSTALLATEUR	Nederlands
MANUAL DE INSTALACIÓN	PARA EL INSTALADOR	Español
MANUALE DI INSTALLAZIONE	PER L'INSTALLATORE	Italiano
ΕΓΧΕΙΡΙΔΙΟ ΟΔΗΓΙΩΝ ΕΓΚΑΤΑΣΤΑΣΗΣ	ΓΙΑ ΑΥΤΟΝ ΠΟΥ ΚΑΝΕΙ ΤΗΝ ΕΓΚΑΤΑΣΤΑΣΗ	Ελληνικά
MANUAL DE INSTALAÇÃO	PARA O INSTALADOR	Português
INSTALLATIONSMANUAL	TIL INSTALLATØREN	Dansk
INSTALLATIONSMANUAL	FÖR INSTALLATÖREN	Svenska
MONTAJ ELKİTABI	MONTÖR İÇİN	Türkçe
РУКОВОДСТВО ПО УСТАНОВКЕ	ДЛЯ УСТАНОВИТЕЛЯ	Русский
ПОСІБНИК З УСТАНОВЛЕННЯ	ДЛЯ СПЕЦІАЛІСТА З МОНТАЖУ	Українська
РЪКОВОДСТВО ЗА МОНТАЖ	ЗА МОНТАЖНИКА	Български
INSTRUKCJA MONTAŻU	DLA INSTALATORA	Polski
INSTALLASJONSHÅNDBOK	FOR MONTØR	Norsk
ASENNUSOPAS	ASENTAJALLE	Suomi
INSTALAČNÍ PŘÍRUČKA	PRO MONTÁŽNÍ PRACOVNÍKY	Čeština
NÁVOD NA INŠTALÁCIU	PRE MONTÉRA	Slovenčina
TELEPÍTÉSI KÉZIKÖNYV	A TELEPÍTŐ RÉSZÉRE	Magyar
NAMESTITVENI PRIROČNIK	ZA MONTERJA	Slovenščina
MANUAL DE INSTALARE	PENTRU INSTALATOR	Română
PAIGALDUSJUHEND	PAIGALDAJALE	Eesti
MONTĀŽAS ROKASGRĀMATA	UZSTĀDĪŠANAS SPECIĀLISTAM	Latviski
MONTAVIMO VADOVAS	SKIRTA MONTUOTOJUI	Lietuviškai
PRIRUČNIK ZA POSTAVLJANJE	ZA INSTALATERA	Hrvatski
UPUTSTVO ZA UGRADNJU	ZA MONTERA	Srpski

1. Măsurile de siguranță .....	1	6. Instalația electrică .....	9
2. Selectarea locației de instalare .....	3	7. Întreținerea .....	10
3. Diagrama de instalare .....	5	8. Rețeaua de conducte de apă .....	11
4. Conducta de evacuare pentru unitatea exterioară .....	5	9. Evacuarea completă a agentului frigorific .....	13
5. Rețeaua de conducte de curgere a agentului frigorific .....	6	10. Specificații .....	14



**Notă: Acest marcaj simbolic vizează exclusiv țările membre UE.**

Acest marcaj este aplicat în conformitate cu directiva 2012/19/UE articolul 14 Informații pentru utilizatori și Anexa IX.

Produsul dumneavoastră MITSUBISHI ELECTRIC este proiectat și fabricat cu materiale și componente de înaltă calitate care pot fi reciclate și reutilizate.

Acest simbol semnifică faptul că, la sfârșitul duratei de viață, acestea trebuie să fie eliminate separat de resturile menajere.

Vă rugăm să predați acest echipament la centrul local de colectare/reciclare din comunitatea dumneavoastră.

În Uniunea Europeană există sisteme de colectare separată a produselor electrice și electronice uzate.

Vă rugăm să ne ajutați să protejăm mediul înconjurător!

## ATENȚIE:

- Nu evacuați R32 în atmosferă.

## 1. Măsurile de siguranță

- ▶ Înainte de a instala unitatea, asigurați-vă că ați citit toate „Măsurile de siguranță”.
- ▶ Vă rugăm să raportați instalarea aparatului către compania de furnizare a energiei electrice sau să obțineți permisiunea acesteia înainte de a efectua conectarea la sistemul de alimentare.

După finalizarea operațiilor de instalare, oferiți-i clientului explicații referitoare la „Măsurile de siguranță”, modul de utilizare și întreținere a unității, în conformitate cu informațiile din Manualul de utilizare, și rulați testarea pentru a vă asigura că echipamentul funcționează normal. Atât Manualul de instalare, cât și Manualul de utilizare trebuie furnizate utilizatorului pentru păstrare. Aceste manuale trebuie transmise utilizatorilor viitori.

⬇ : Indică o componentă care trebuie să fie împământată.

## AVERTIZARE:

Prezintă măsurile de siguranță care trebuie respectate pentru a preveni riscul de vătămare sau decesul utilizatorului.

## AVERTIZARE:

Citiți cu atenție etichetele atașate pe unitatea principală.

⊙ : Indică avertizările și atenționările la utilizarea agentului frigorific R32.

## ATENȚIE:

Prezintă măsurile de siguranță care trebuie respectate pentru a preveni deteriorarea unității.

## SEMNIFICAȚIA SIMBOLURILOR PREZENTATE PE UNITATEA INTERIOARĂ ȘI/SAU UNITATEA EXTERIOARĂ

	<b>AVERTIZARE</b> (Pericol de incendiu)	Acest marcaj vizează exclusiv agentul frigorific R32. Tipul de agent frigorific este inscripționat pe plăcuța cu date tehnice a unității exterioare. Dacă agentul frigorific este de tip R32, înseamnă că această unitate utilizează un agent frigorific inflamabil. Dacă agentul frigorific se scurge și intră în contact cu flăcări sau cu un aparat de încălzire, acesta va crea un gaz nociv și va provoca pericolul de incendiu.
		Citiți cu atenție MANUALUL DE UTILIZARE înainte de a utiliza aparatul.
		Personalul de service trebuie să citească cu atenție MANUALUL DE UTILIZARE și MANUALUL DE INSTALARE înainte de a acționa aparatul.
		Pentru informații suplimentare, consultați MANUALUL DE UTILIZARE, MANUALUL DE INSTALARE și celelalte documentații corespunzătoare.

## AVERTIZARE:

- Unitatea nu trebuie să fie instalată de către utilizator. Solicitați efectuarea operațiilor de instalare și reparare a unității unei reprezentanțe sau unui tehnician autorizat. Dacă unitatea este incorect instalată, pot apărea scurgeri de apă, se pot produce șocuri electrice sau pot izbucni incendii.
- Pentru operații de instalare și mutare, respectați instrucțiunile din Manualul de instalare și utilizați instrumente și componente pentru conducte fabricate special pentru a fi utilizate cu agentul frigorific R32. În cazul în care pentru conducte se utilizează componente care nu sunt proiectate pentru agentul frigorific R32 și unitatea nu este instalată corect, conductele pot să pleznească și se pot produce daune sau accidente. În plus, pot apărea scurgeri de apă, șocuri electrice sau poate izbucni un incendiu.
- Unitatea trebuie instalată în conformitate cu instrucțiunile pentru a reduce riscul de deteriorare a acesteia cauzate de cutremure, taifunuri sau vânturi puternice. O unitate instalată incorect poate cădea și cauza deteriorări sau vătămări.
- Unitatea trebuie instalată în siguranță pe o structură care îi poate susține greutatea. Dacă unitatea este montată pe o structură instabilă, aceasta poate cădea și se pot produce daune sau accidente.
- Dacă pompa de caldură aer-apă este instalată într-o încăpere mică, trebuie efectuate măsurători pentru a evita creșterea concentrației de agent frigorific din încăperea peste limita de siguranță în cazul unei scurgeri de agent frigorific. Consultați un distribuitor cu privire la măsurile de siguranță recomandate pentru prevenirea depășirii concentrației permise. Dacă există scurgeri de agent frigorific și acest lucru cauzează depășirea limitei concentrației, pot apărea pericole din cauza lipsei de oxigen în încăpere.
- Aerisiți încăperea dacă se scurge agent frigorific în timpul funcționării aparatului. Dacă agentul frigorific intră în contact cu o flacără, se vor elibera gaze toxice.
- Toate intervențiile asupra sistemului electric trebuie efectuate de un tehnician calificat, în conformitate cu reglementările locale și instrucțiunile oferite în acest manual. Unitățile trebuie să fie alimentate de la circuite de alimentare dedicate, la tensiunea corectă și având instalate sisteme de întrerupere a alimentării cu curent. Instalațiile electrice cu insuficientă capacitate sau instalațiile electrice incorecte pot cauza producerea unor șocuri electrice sau a unor incendii.
- Utilizați cupru fosforos C1220 pentru conductele fără sudură din cupru și aliaje de cupru, pentru a conecta conductele de curgere a agentului frigorific. În cazul în care conductele nu sunt conectate corect, unitatea nu va fi împământată corect și se pot produce șocuri electrice.
- Acest aparat este destinat utilizării de către utilizatori specializați sau instruiți în cadrul spațiilor comerciale, spațiilor din cadrul industriei ușoare și al fermelor sau în scopuri comerciale de către nespecialiști.
- Utilizați numai cablurile specificate pentru cablare. Conexiunile cablajului trebuie efectuate în siguranță, fără a aplica tensiune la bornele de racordare. De asemenea, nu îmbinați niciodată cablurile pentru cablare (decât dacă acest lucru este indicat în document).
- Nerespectarea acestor instrucțiuni poate avea drept rezultat supraîncălzirea sau izbucnirea unui incendiu.
- Dacă cablul de alimentare electrică este deteriorat, acesta trebuie să fie înlocuit de către producător, de către agentul de service al acestuia sau de către persoane calificate, pentru a se evita situațiile periculoase.
- Aparatul va fi instalat în conformitate cu reglementările naționale de cablare.
- Capacul blocului de conexiuni al unității exterioare trebuie să fie bine fixat. În cazul în care capacul este montat incorect, iar praful și umezeala intră în unitate, se pot produce șocuri electrice sau incendii.

# 1. Măsurile de siguranță

- Atunci când instalați, mutați sau efectuați operații de întreținere a pompei de căldură aer-apă, utilizați numai agentul frigorific specificat (R32) pentru a încărcă conductele de agent frigorific. Nu îl amestecați cu un alt tip de agent frigorific și eliminați tot aerul din conducte. Dacă se amestecă aer cu agentul frigorific, acest lucru poate cauza presiunea ridicată anormală în conducta de curgere a agentului frigorific, ceea ce poate provoca o explozie sau apariția altor pericole. Utilizarea oricărui alt tip de agent frigorific în afara celui specificat pentru sistem va determina producerea de defecțiuni mecanice, defectarea sistemului sau avarierea unității. În cel mai rău caz, aceasta ar putea periclita în mod grav siguranța produsului.
- Utilizați numai accesoriile autorizate de Mitsubishi Electric și solicitați-i unei reprezentanțe sau unui tehnician autorizat să le instaleze. Dacă accesoriile sunt incorect instalate, pot apărea scurgeri de apă, se pot produce șocuri electrice sau pot izbucni incendii.
- Nu modificați unitatea. Acest lucru poate cauza izbucnirea unui incendiu, șocuri electrice, vătămarea sau scurgerea apei.
- Utilizatorul nu trebuie să încerce niciodată să repare unitatea sau să o transfere într-o altă locație. Dacă unitatea este incorect instalată, pot apărea scurgeri de apă, se pot produce șocuri electrice sau pot izbucni incendii. Solicitați repararea sau mutarea pompei de căldură aer-apă unei reprezentanțe sau unui tehnician autorizat.
- Atunci când circuitul de refrigerare prezintă scurgeri, NU pompați folosind compresorul.
- Atunci când agentul frigorific este pompat, opriți compresorul înainte de a debransa conductele de agent frigorific. Compresorul ar putea să plesnească dacă în interiorul acestuia pătrunde aer etc.
- După finalizarea instalării, verificați dacă există scurgeri de agent frigorific. Dacă se scurge agent frigorific în încăperea și dacă acesta intră în contact cu flacăra unui încălzitor sau cu un aparat de gătit portabil, se vor elibera gaze toxice.
- Nu utilizați alte mijloace de accelerare a procesului de degivrare sau de curățare a aparatului decât cele recomandate de producător.
- Aparatul trebuie să fie stocat într-o încăperea în care să nu existe surse de aprindere cu funcționare continuă (de exemplu: flăcări deschise, un aparat cu gaz sau un încălzitor electric aflate în funcțiune).
- Nu perforați sau ardeți.
- Aveți în vedere faptul că agenții frigorifici ar putea fi inodori.
- Conductele trebuie să fie protejate împotriva deteriorărilor fizice.
- Lucrările de instalare a conductelor trebuie să fie reduse la minim.
- Trebuie să fie asigurată respectarea reglementărilor naționale din domeniul gazului.
- Asigurați-vă că niciuna dintre deschiderile de aerisire necesare nu este obstrucționată.
- Nu utilizați aliaje de lipit cu temperatură joasă de topire în cazul brazării conductelor de curgere a agentului frigorific.
- Atunci când efectuați operații de brazare, asigurați-vă că aerisiți încăperea suficient.
- Asigurați-vă că nu există pericole sau materiale inflamabile în apropiere. Atunci când efectuați operații într-o încăperea închisă, o încăperea mică sau o locație similară, asigurați-vă că nu există scurgeri de agent frigorific înainte de a efectua operațiile.
- Dacă se scurge și se acumulează agent frigorific, acesta se poate aprinde sau pot fi eliberate gaze toxice.
- Aparatul trebuie depozitat într-un spațiu bine aerisit, ale cărui dimensiuni corespund cu cele specificate pentru funcționare.
- Țineți aparatele cu funcționare pe gaz, încălzitoarele electrice și alte surse de foc (surse de aprindere) departe de locația în care sunt efectuate instalarea, repararea și alte operații asupra pompei de căldură aer-apă. Dacă agentul frigorific intră în contact cu o flăcăre, se vor elibera gaze toxice.
- Nu fumați în timpul efectuării lucrărilor sau în timpul transportului.
- Nu adăugați agent frigorific mai mult decât cantitatea maximă în fiecare unitate exterioară. Dacă se depășește cantitatea maximă de agent frigorific se pot produce incendii la scurgerea agentului frigorific.

## 1.1. Înainte de instalare

### ATENȚIE:

- Nu utilizați unitatea într-un mediu neobișnuit. Dacă pompa de căldură aer-apă este instalată în zone expuse la aburi, ulei volatil (inclusiv ulei de mașină) sau gaz sulfuros, zone expuse unui volum ridicat de sare, de exemplu, pe malul mării, sau în zone în care unitatea poate fi acoperită cu zăpadă, randamentul pompei poate fi redus semnificativ, iar componentele interne pot fi deteriorate.
- Nu instalați unitatea în locuri în care pot exista scurgeri, producție, emisii sau acumulări de gaze inflamabile. Dacă se acumulează gaz sulfuros în jurul unității, se poate produce un incendiu sau o explozie.
- Unitatea exterioară produce condensare în timpul operației de încălzire. Trebuie să instalați un circuit de evacuare în jurul unității exterioare dacă acest condens poate cauza daune.
- Atunci când instalați unitatea într-un spital sau birou de comunicații, țineți cont de faptul că aceasta va produce zgomote și interferențe electronice. Invertoarele, aparatele electrocasnice, echipamentele medicale de înaltă frecvență și echipamentele de radiocomunicații pot cauza defectarea sau avarierea pompei de căldură aer-apă. De asemenea, pompa de căldură aer-apă poate afecta echipamentele medicale, poate perturba persoanele supuse unui tratament medical și echipamentele de comunicații, afectând calitatea de afișare a ecranelor.

## 1.2. Înainte de instalare (mutare)

### ATENȚIE:

- Acordați atenție deosebită la transportarea sau instalarea unităților. Cel puțin două persoane trebuie să manipuleze unitatea, deoarece aceasta cântărește 20 kg sau mai mult. Nu apucați de benzile folosite pentru ambalare. Purtați mănuși de protecție pentru a scoate unitatea din ambalaj și pentru a o muta, pentru că vă puteți răni mâinile la terminații sau pe marginile altor componente.
- Eliminați în siguranță materialele de ambalare. Materialele de ambalare, de exemplu cuiele și alte părți din metal sau lemn, pot cauza tăieturi sau alte răni.
- Baza și elementele de fixare ale unității exterioare trebuie să fie verificate periodic pentru a detecta slăbirea elementelor de fixare, crăpături sau alte defecțiuni. Dacă aceste defecte nu sunt corectate, unitatea poate cădea și se pot produce daune sau accidente.
- Nu curățați cu apă pompa de căldură aer-apă. Se pot produce șocuri electrice.
- Strângeți toate piulițele de racord conform specificației folosind o cheie dinamometrică. Dacă este strânsă excesiv, piulița de racord se poate rupe după o perioadă îndelungată de timp și agentul frigorific se poate scurge.

## 1.3. Înainte de a executa instalația electrică

### ATENȚIE:

- Nu uitați să instalați întrerupătoare de circuit. Dacă acestea nu sunt instalate, se pot produce șocuri electrice.
- Pentru cablurile de alimentare, utilizați cabluri standard cu o capacitate suficientă. În caz contrar, se poate produce un scurtcircuit, supraîncălzire sau incendii.
- La instalarea cablurilor de alimentare, nu aplicați tensiune la cabluri. Dacă sunt slăbite conexiunile, cablurile se pot fisura sau se pot rupe și poate apărea o supraîncălzire sau pot izbucni incendii.
- Nu uitați să asigurați împământare pentru unitate. Nu conectați cablul de împământare la conductele de gaz sau de apă, la un paratrăsnet sau la cablurile de împământare pentru telefon. Dacă unitatea nu este împământată corespunzător, se pot produce șocuri electrice.
- Utilizați întrerupătoare de circuit (întrerupător cu împământare, disjunctur (siguranță +B) și întrerupător automat modular) cu capacitatea specificată. În cazul în care capacitatea întrerupătorului de circuit este mai mare decât cea specificată, se poate produce avarierea sau poate izbucni un incendiu.

# 1. Măsurile de siguranță

## 1.4. Înainte de a începe rularea testării

### ⚠ ATENȚIE:

- Activați comutatorul de alimentare cu mai mult de 12 ore înainte de a începe utilizarea. Începerea utilizării aparatului imediat după activarea comutatorului de alimentare poate deteriora grav componentele interne. Lăsați comutatorul principal de alimentare în poziția pornit în timpul sezonului de funcționare.
- Înainte de a începe utilizarea aparatului, verificați dacă toate panourile, apărătorile și alte componente de protecție sunt instalate corect. Componentele rotative, fierbinți sau de înaltă tensiune pot cauza vătămări.

- Nu acționați comutatoarele dacă aveți mâinile umede. Se pot produce șocuri electrice.
- Nu atingeți conductele de curgere a agentului frigorific cu mâinile neprotejate în timpul funcționării aparatului. Conductele pentru agentul frigorific sunt fierbinți sau reci în funcție de condiția agentului frigorific. Dacă atingeți conductele, vă puteți arde sau pot apărea degerături.
- După încetarea utilizării aparatului, așteptați cel puțin cinci minute înainte de a dezactiva comutatorul de alimentare. În caz contrar, pot apărea scurgeri de apă sau deteriorări.

## 1.5. Utilizarea pompei de căldură aer-apă cu agentul frigorific R32

### ⚠ ATENȚIE:

- Utilizați cupru fosforos C1220 pentru conductele fără sudură din cupru și aliaje de cupru, pentru a conecta conductele de curgere a agentului frigorific. Asigurați-vă că interiorul conductelor este curat și că nu conține contaminanți nocivi, cum ar fi compuși ai sulfului, oxidanți, reziduuri sau praf. Utilizați conducte cu grosimea specificată. (Consultați 4.1.) Dacă reutilizați conductele existente, folosite pentru a transporta agentul frigorific R22, țineți cont de următoarele:
  - Înlocuiți piulițele de racord și evazați din nou secțiunile evazate.
  - Nu utilizați conducte subțiri. (Consultați 4.1.)
- Depozitați conductele utilizate în timpul instalării în interior și păstrați ambele capete ale conductei sigilate până când începeți operația de brazare. (Lăsați racordurile cu cot, etc. în ambalajul original.) În cazul în care praful, reziduurile sau umezeala intră în conductele pentru agentul frigorific, uleiul se poate deteriora sau compresorul se poate defecta.
- Utilizați ulei esteric, ulei eteric sau alchilbenzen (cantitate mică) ca ulei refrigerant aplicat pe secțiunile evazate. Dacă uleiul mineral este amestecat cu uleiul refrigerant, uleiul se poate deteriora.

- Lucrările de întreținere trebuie să fie efectuate respectând întocmai recomandărilor producătorului.
- Nu utilizați un alt agent frigorific cu excepția agentului frigorific R32. Dacă se utilizează un alt tip de agent frigorific, clorul va cauza deteriorarea uleiului.
- Utilizați următoarele instrumente proiectate exclusiv pentru a fi utilizate cu agentul frigorific R32. Următoarele instrumente sunt necesare dacă utilizați agentul frigorific R32. Pentru întrebări, contactați cel mai apropiat distribuitor.

Instrumente (pentru R32)	
Manometru	Dispozitiv de evazare
Furtun de alimentare	Dispozitiv reglare dimensiune
Detector de gaze	Adaptor pompă de vid
Cheie dinamometrică	Scală electronică de încărcare a agentului frigorific

- Utilizați întotdeauna instrumentele corecte. În cazul în care praful, reziduurile sau umezeala intră în conductele pentru agentul frigorific, uleiul refrigerant se poate deteriora.

## 2. Selectarea locației de instalare

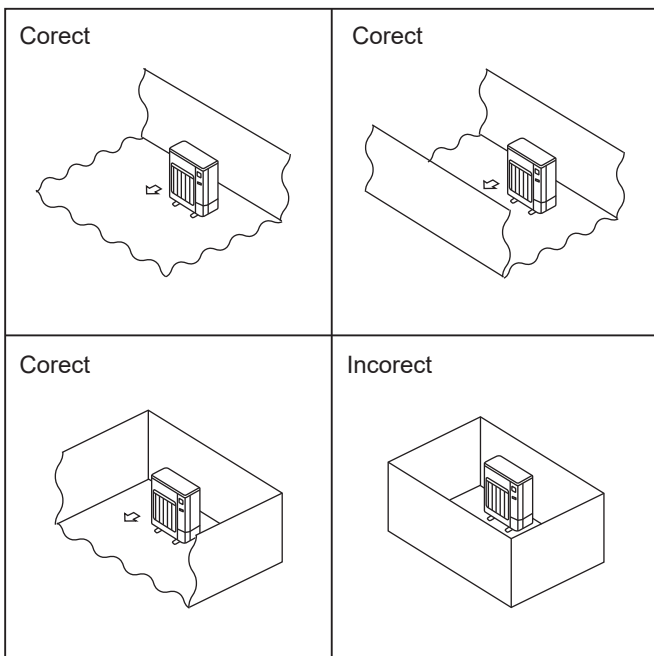


Fig. 2-1

### 2.1. Unitate exterioră

- R32 este mai greu decât aerul și decât alți agenți frigorifici-de aceea, are tendința de a se acumula la bază (în apropierea pardoselii). Dacă R32 se acumulează în jurul bazei, acesta ar putea atinge o concentrație inflamabilă dacă încăperea este mică. Pentru a evita aprinderea, este necesară menținerea unui mediu de lucru sigur, prin asigurarea unei ventilații corespunzătoare. Dacă se confirmă scurgerea de agent frigorific într-o încăpere sau zonă care nu este ventilată suficient, nu utilizați flăcări decât după ce mediul de lucru poate fi optimizat prin asigurarea unei ventilații corespunzătoare.
  - Unde nu este expusă la curenți de aer puternici.
  - Unde există un flux de aer optim și fără particule de praf.
  - Unde să nu aibă loc un ciclu scurt de funcționare.
  - Unde zgomotele produse în timpul funcționării sau aerul fierbinte să nu deranjeze vecinii.
  - Unde este disponibil un perete sau suport rigid, pentru a se preveni creșterea nivelului de zgomot sau de vibrații din timpul funcționării.
  - Unde nu există riscul producerii de scurgeri de gaz inflamabil.
  - În cazul instalării unității la un nivel înalt, aveți grijă să fixați piciorușele acesteia.
  - La o distanță de cel puțin 3 m față de antena unui televizor sau radio. (În caz contrar, imaginile pot fi distorsionate sau pot fi generate sunete.)
  - Vă rugăm să o instalați într-o zonă care nu este afectată de ninsoare sau viscol. În zonele în care se produc ninsoari puternice, vă rugăm să instalați un acoperiș, un piedestal și/sau niște plăci despărțitoare.
  - Instalați unitatea în poziție orizontală.
  - Conexiunile conductelor de curgere a agentului frigorific vor fi accesibile pentru întreținere.
- © Instalați unitățile exterioare într-o zonă unde cel puțin una dintre cele patru părți laterale este deschisă și într-un spațiu suficient de mare, fără denivelări. (Fig. 2-1)

### ⚠ ATENȚIE:

Evitați instalarea în următoarele locuri unde este foarte probabilă producerea de defecțiuni ale pompei de căldură aer-apă.

- Locurile unde există cantități prea mari de ulei pentru mașini.
- Medii sărate, cum ar fi zone litorale.
- Zone cu izvoare termale.
- Locurile unde există gaze sulfuroase.
- Alte zone atmosferice speciale.

Unitatea exterioră produce condens în timpul operației de încălzire. Selectați locul de instalare pentru a vă asigura că se previne umezirea unității exterioare și/sau a planșului din cauza apei scurse sau deteriorarea acestora în urma înghețării apei scurse.

## 2. Selectarea locației de instalare

### 2.2. Suprafața minimă de instalare

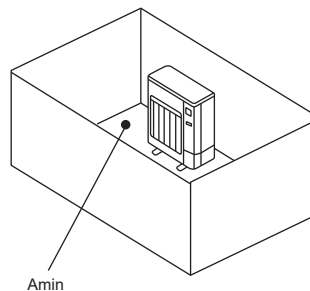
Dacă nu puteți evita instalarea unei unități într-un spațiu în care toate cele patru părți sunt blocate sau în care există denivelări, asigurați-vă că este satisfăcută una dintre aceste condiții (A, B sau C).

**Notă: Aceste contramăsuri se aplică pentru menținerea siguranței și nu pentru asigurarea garanției specificate.**

A) Asigurați un spațiu de instalare suficient (zona minimă de instalare Amin).

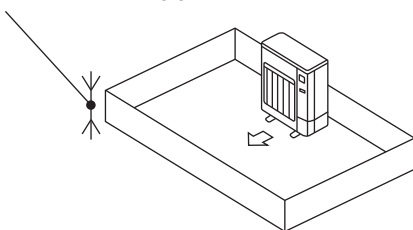
Instalați unitatea într-un spațiu cu o zonă de instalare cu dimensiunile Amin sau mai mult, corespunzătoare cantității M de agent frigorific (agentul frigorific încărcat din fabrică + agentul frigorific adăugat la locul de montaj).

M [kg]	Amin [m <sup>2</sup> ]
1,0	12
1,5	17
2,0	23
2,5	28
3,0	34
3,5	39
4,0	45
4,5	50
5,0	56
5,5	62
6,0	67
6,5	73
7,0	78
7,5	84

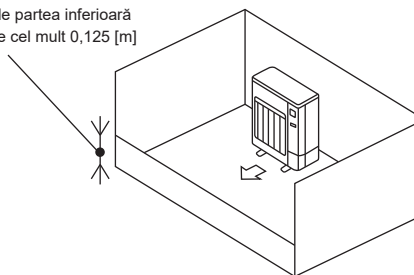


B) Instalați unitatea într-un loc cu o înălțime a denivelărilor de  $\leq 0,125$  [m].

Înălțimea față de partea inferioară trebuie să fie de cel mult 0,125 [m]



Înălțimea față de partea inferioară trebuie să fie de cel mult 0,125 [m]

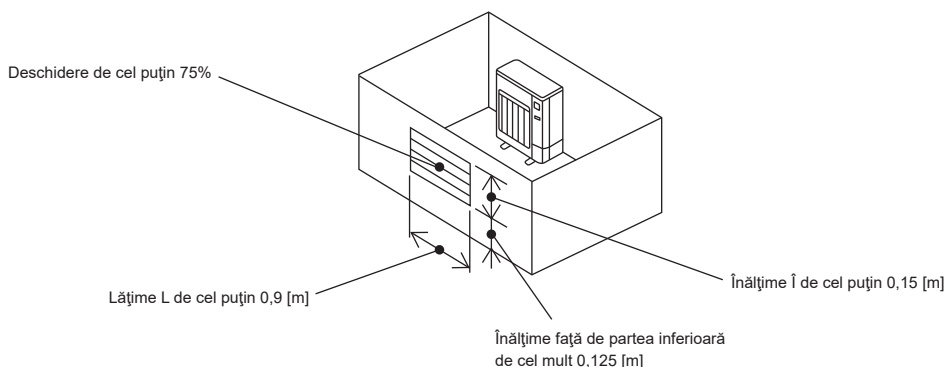


C) Creați o zonă deschisă corespunzătoare pentru ventilație.

Asigurați-vă că lățimea zonei deschise este de cel puțin 0,9 [m], iar înălțimea zonei deschise este de cel puțin 0,15 [m].

Totuși, înălțimea din partea inferioară a spațiului de instalare până în marginea inferioară a zonei deschise trebuie să fie de cel mult 0,125 [m].

Zona deschisă trebuie să aibă o deschidere de cel puțin 75%.



**Notă: În ceea ce privește unitatea interioară, nu există restricții privind instalarea din cauza agentului frigorific R32.**

**Consultați manualul de instalare a unității interioare și verificați locația de instalare necesară.**

### 3. Diagrama de instalare

#### 3.1. Unitatea exterioară (Fig. 3-1)

##### Spațiul de ventilare și de întreținere

- Ⓐ 100 mm sau mai mult
- Ⓑ 350 mm sau mai mult
- Ⓒ 500 mm sau mai mult

Atunci când conductele trebuie să fie atașate la un perete cu conținut metalic (acoperit cu staniu) sau acoperit cu o plasă metalică, utilizați un instrument din lemn tratat chimic cu grosimea de cel puțin 20 mm între perete și conducte sau înfășurați 7 - 8 straturi de bandă vinilică izolatoare în jurul conductelor.

Unitățile trebuie să fie instalate de către un contractor cu licență în conformitate cu normele tehnice locale.

■ SUZ-SWM80VA2, SUZ-SWM80VAH2, SUZ-SWM100VA, SUZ-SWM100VAH, SUZ-SHWM60VAH

##### Notă:

Atunci când pompa de căldură aer-apă este utilizată la temperaturi exterioare scăzute, asigurați-vă că sunt respectate instrucțiunile de mai jos.

- Nu instalați niciodată unitatea exterioară într-un loc unde partea de admisie/evacuare a aerului ar putea fi expusă direct acțiunii curenților de aer.
- Pentru a preveni expunerea la curenții de aer, instalați unitatea exterioară cu orificiul de admisie a aerului orientat spre perete.
- Pentru a preveni expunerea la curenții de aer, este recomandat să instalați o placă despărțitoare pe partea de evacuare a aerului a unității exterioare.

■ SUZ-SWM30VA, SUZ-SWM40VA2, SUZ-SWM60VA2, SUZ-SHWM30VAH, SUZ-SHWM40VAH

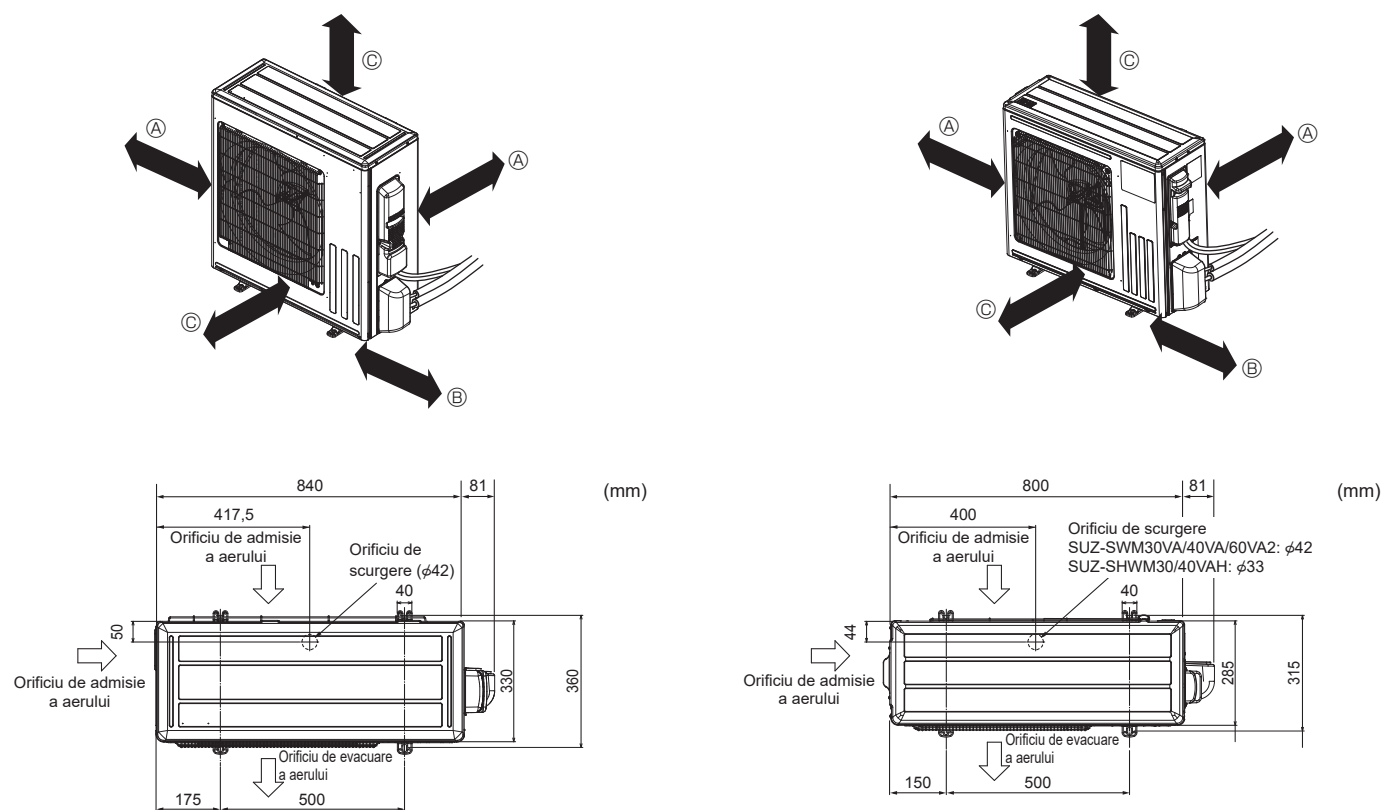


Fig. 3-1

### 4. Conducta de evacuare pentru unitatea exterioară (Fig. 4-1)

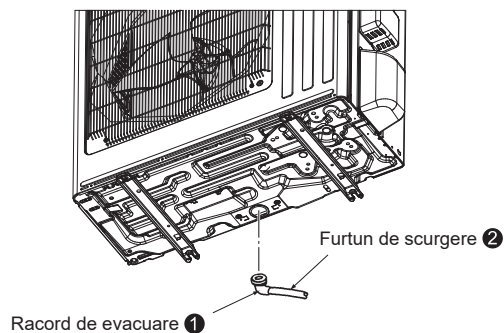


Fig. 4-1

#### 4.1. Accesorii

Înainte de instalare, verificați următoarele componente.

<Unitatea exterioară>

❶	Racord de evacuare	1
---	--------------------	---

- Montați conductele de evacuare înainte de a racorda conductele de la unitatea interioară și cea exterioară. (Va fi dificil de instalat racordul de evacuare ❶ dacă racordarea conductelor de la unitatea interioară și cea exterioară este efectuată înaintea racordării conductele de evacuare deoarece unitatea exterioară devine imobilă.)
- Conectați furtunul de scurgere ❷ (care poate fi achiziționat din magazin, diametru interior: 15 mm) conform indicațiilor din figura aferentă evacuării.
- Asigurați-vă că conductele de evacuare sunt orientate în jos, pentru facilitarea fluxului de evacuare.

##### Notă:

Nu utilizați racordul de evacuare ❶ în regiunile cu climat rece. Apa scursă ar putea să înghețe și să determine oprirea ventilatorului.

Racordul de evacuare nu este inclus în seria SHWM.

## 5. Rețeaua de conducte de curgere a agentului frigorific

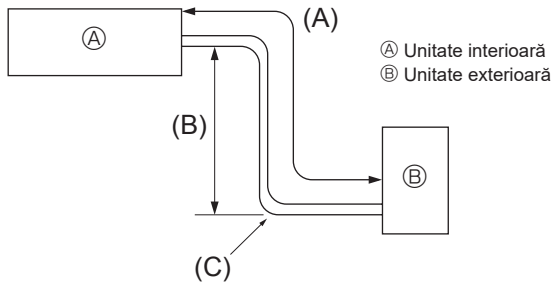


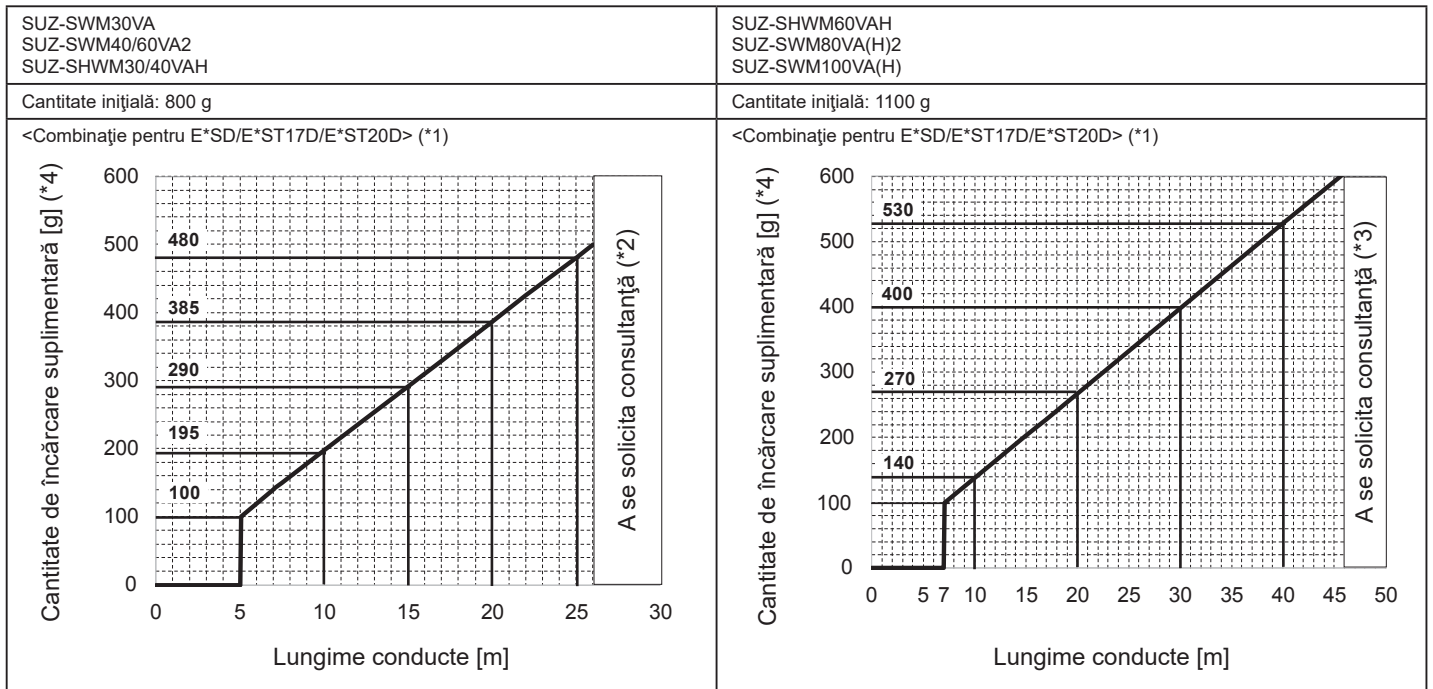
Fig. 5-1

### 5.1. Conductă pentru agentul frigorific (Fig. 5-1)

► Verificați dacă diferența dintre înălțimile unităților interioare și ale unităților exterioare, lungimea conductei pentru agentul frigorific și numărul de coturi ale conductei sunt în limitele indicate mai jos.

Model	(A) Lungime conductă (pe sens)	(B) Diferență de înălțime	(C) Numărul de coturi (pe sens)
SUZ-SWM30VA	2 m - 26 m	Max. 26 m	Max. 10
SUZ-SHWM30VAH			
SUZ-SWM40VA2			
SUZ-SHWM40VAH			
SUZ-SWM60VA2	2 m - 46 m	Max. 30 m	
SUZ-SHWM60VAH			
SUZ-SWM80VA(H)2			
SUZ-SWM100VA(H)			

• Limitările referitoare la diferența de înălțime sunt obligatorii indiferent de unitate, cea interioară sau cea exterioară, este poziționată mai sus.



\*1. În ceea ce privește E\*ST30D, adăugați ÎNTOTDEAUNA 50 g peste cantitatea de încărcare suplimentară în conformitate cu graficele.

\*2. Pentru o lungime a conductelor de peste 26 m, nu ezitați să consultați specialistul nostru.

\*3. Pentru o lungime a conductelor de peste 46 m, nu ezitați să consultați specialistul nostru.

\*4. În cazul reîncărcării complete; cantitate de încărcare inițială + suplimentară

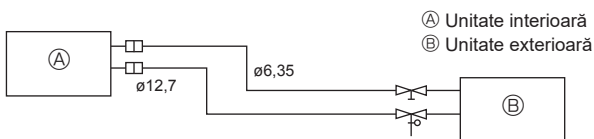


Fig. 5-2

(1) Tabelul de mai jos indică specificațiile conductelor disponibile în comerț. (Fig. 5-2)

Model	Conductă	Diametru exterior		Grosime min. perete	Grosimea materialului izolator	Material izolator
		mm	inch			
Toate modelele	Pentru lichid	6,35	1/4	0,8 mm	8 mm	Spumă termorezistentă pentru suprafețe din plastic 0,045 cu greutate specifică
	Pentru gaz	12,7	1/2	0,8 mm	8 mm	

(2) Asigurați-vă că cele 2 conducte de curgere a agentului frigorific sunt bine izolate pentru a preveni condensul.

(3) Raza de îndoire a conductei de curgere a agentului frigorific trebuie să fie de cel puțin 100 mm.

### ⚠ ATENȚIE:

Aveți grijă să utilizați izolații de grosimi specifice. Grosimea excesivă împiedică depozitarea în spatele unității interioare, iar o grosime mai mică cauzează scurgerea condensului.

- Asigurați-vă că există o ventilație suficientă, pentru a se preveni aprinderea. În plus, asigurați-vă că adoptați măsuri de prevenție a incendiilor și că nu există obiecte periculoase sau inflamabile în zonă.
- Reumplerea R32 de întreținere: Înainte de reumplerea echipamentului cu R32, pentru a vă asigura că nu este niciun risc de explozie de la scântei, trebuie să vă asigurați că echipamentul este complet (100%) deconectat de la sursa principală de alimentare cu curent.
- Materialele izolatoare trebuie să îndeplinească următoarele specificații.

(1) Viteza de transfer termic: 0,040 W/mK sau mai puțin

(2) Grosimea materialului izolator: 9 mm sau mai mult

(3) Rezistență termică: 110 °C sau mai mult

Dacă lungimea conductelor exterioare este de peste 15 m, grosimea materialului izolator trebuie să fie de 18 mm sau mai mult.

## 5. Rețeaua de conducte de curgere a agentului frigorific

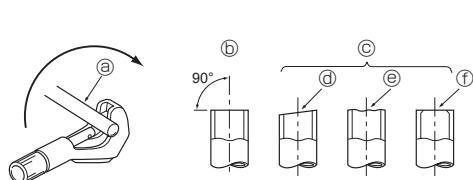


Fig. 5-3

- Ⓐ Țevi de cupru
- Ⓑ Corect
- Ⓒ Încorct
- Ⓓ Înclinat
- Ⓔ Neuniform
- Ⓕ Bavură

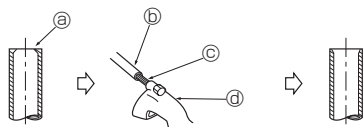


Fig. 5-4

- Ⓐ Bavură
- Ⓑ Țeavă/conductă de cupru
- Ⓒ Lărgitor de rezervă
- Ⓓ Clește pentru tăiat țevi

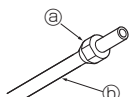


Fig. 5-5

- Ⓐ Piuliță de racord
- Ⓑ Țeavă de cupru

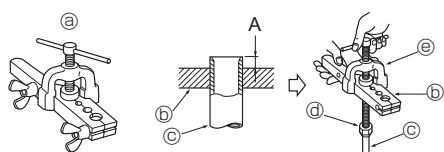


Fig. 5-6

- Ⓐ Sculă de evazare
- Ⓑ Vopsea
- Ⓒ Țeavă de cupru
- Ⓓ Piuliță de racord
- Ⓔ Furcă

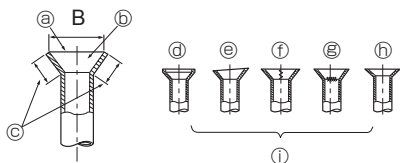


Fig. 5-7

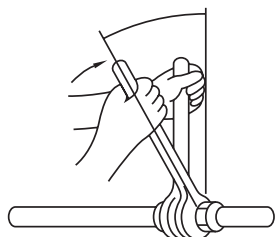


Fig. 5-8

### 5.2. Lucrările de evazare

- Cauza principală a scurgerii de gaz este reprezentată de defecțiunile apărute în timpul lucrărilor de evazare.

Efectuați lucrările de evazare în mod corespunzător urmând procedura de mai jos.

#### 5.2.1. Tăierea țevelor (Fig. 5-3)

- Folosind un clește pentru tăiat țevi, tăiați țeava de cupru în mod corespunzător.

#### 5.2.2. Îndepărtarea bavurilor (Fig. 5-4)

- Eliminați complet toate bavurile de pe secțiunea transversală tăiată a conductei/țevii.
- Atunci când eliminați bavurile, orientați în jos capătul conductei/țevii de cupru pentru a evita căderea bavurilor în interiorul conductei.

#### 5.2.3. Montarea piulițelor (Fig. 5-5)

- Scoateți toate piulițele de racord atașate la unitatea interioară și la cea exterioară, apoi amplasați-le pe conductă/țeavă după ce ați finalizat operația de debavurare.
- (montarea acestora nu este posibilă după efectuarea lucrărilor de evazare)

#### 5.2.4. Lucrările de evazare (Fig. 5-6)

- Efectuați lucrările de evazare folosind scula de evazare, așa cum este indicat în partea stângă.

Diametrul conductei (mm)	Dimensiune	
	A (mm)	B <sup>+0</sup> <sub>-0,4</sub> (mm)
	Când este utilizată scula pentru R32	
6,35	0 - 0,5	9,1
9,52	0 - 0,5	13,2
12,7	0 - 0,5	16,6
15,88	0 - 0,5	19,7

Țineți ferm în vopsea o conductă de cupru la dimensiunea prezentată în tabelul de mai sus.

#### 5.2.5. Verificarea (Fig. 5-7)

- Comparați lucrările de evazare cu o figură din partea stângă.
- Dacă evazarea este defectuoasă, tăiați secțiunea evazată și efectuați din nou lucrările de evazare.

- Ⓐ Complet neted
- Ⓑ Interiorul este lucios și nu prezintă zgârieturi
- Ⓒ Lungime uniformă peste tot
- Ⓓ Excesiv
- Ⓔ Înclinat
- Ⓕ Zgârieturi pe suprafața evazată
- Ⓖ Crăpături
- Ⓖ Neuniform
- Ⓖ Exemple necorespunzătoare

- Aplicați un strat subțire de ulei refrigerant pe suprafața locașului conductei. (Fig. 5-8)
- Pentru racordare, mai întâi aliniați centrul, apoi strângeți piulița de racord cu 3 - 4 rotații.
- Consultați tabelul cu cuplurile de strângere de mai jos atunci când strângeți secțiunea laterală de îmbinare a unității interioare și strângeți utilizând două chei fixe. Strângerea excesivă determină deteriorarea secțiunii evazate.

Diametru exterior conductă din cupru (mm)	Diametru exterior piuliță de racord (mm)	Cuplu de strângere (N·m)
ø6,35	17	14 - 18
ø9,52	22	34 - 42
ø12,7	26	49 - 61
ø15,88	29	68 - 82

### ⚠ AVERTIZARE:

La instalarea unității, conectați în siguranță conductele de agent frigorific înainte de a porni compresorul.

### ⚠ AVERTIZARE:

Aveți grijă să nu proiectați piulița de racord! (Prezintă presiune internă)

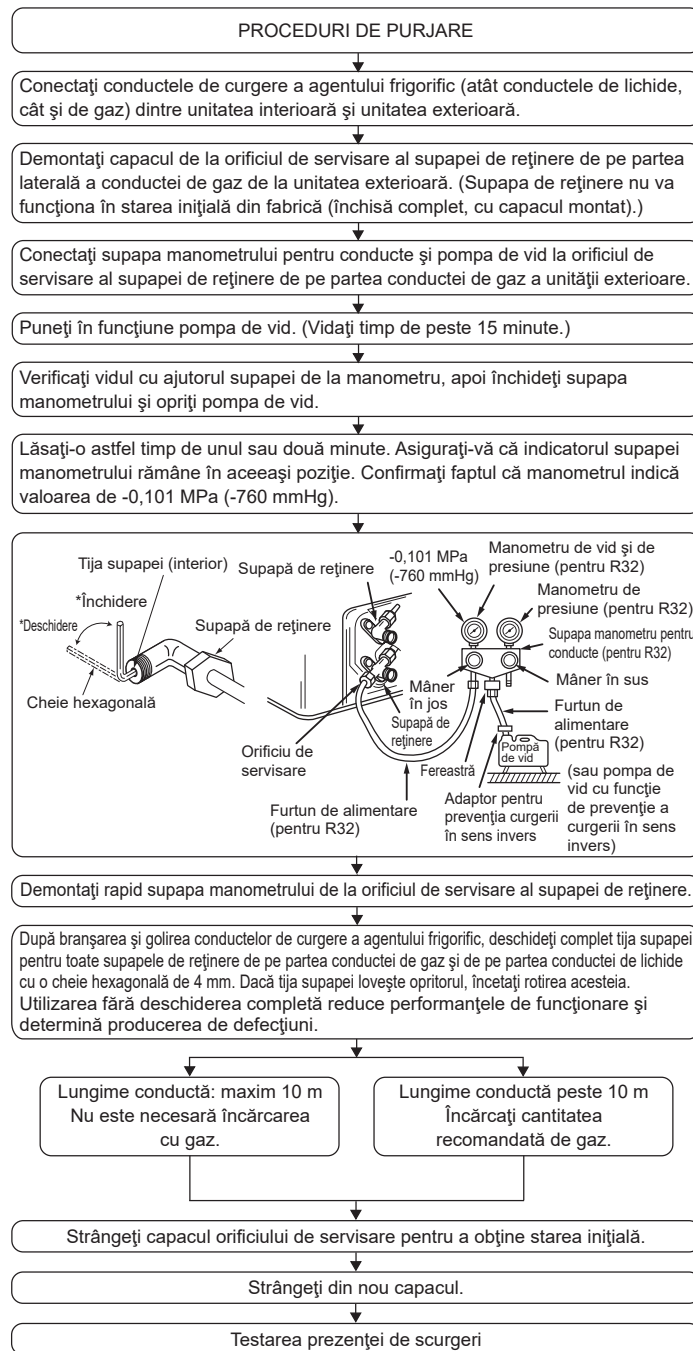
Demontați piulița de racord după cum urmează:

1. Slăbiți piulița până când auziți un șuierat.
2. Nu demontați piulița până când gazul a fost eliberat în totalitate (adică, când se oprește șuieratul).
3. Asigurați-vă că gazul a fost eliberat în totalitate, apoi demontați piulița.



## 5. Rețeaua de conducte de curgere a agentului frigorific

### 5.3. Procedurile de purjare și testarea scurgerilor

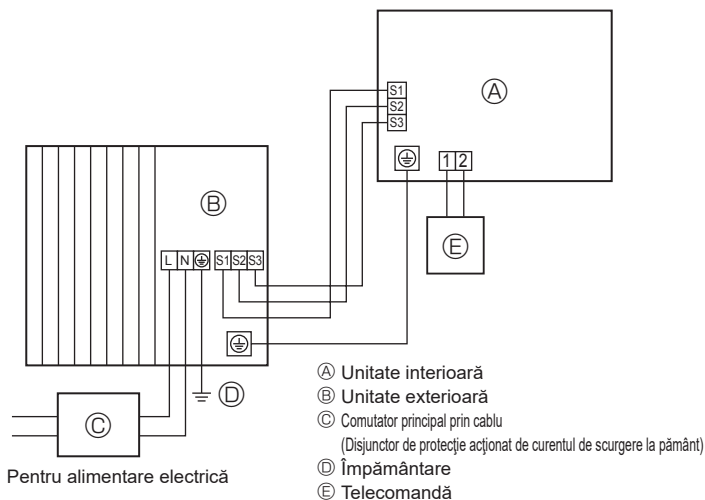


## 6. Instalația electrică

### 6.1. Unitatea exterioară (Fig. 6-1, Fig. 6-2, Fig. 6-3)

- ① Demontați panoul de întreținere.
- ② Conectați cablurile respectând instrucțiunile din Fig. 6-1, Fig. 6-2 și Fig. 6-3.

#### ■ SUZ-SHWM60VAH, SUZ-SWM80VA(H)2, SUZ-SWM100VA(H)



#### ■ SUZ-SHWM30/40VAH, SUZ-SWM30VA, SUZ-SWM40/60VA2

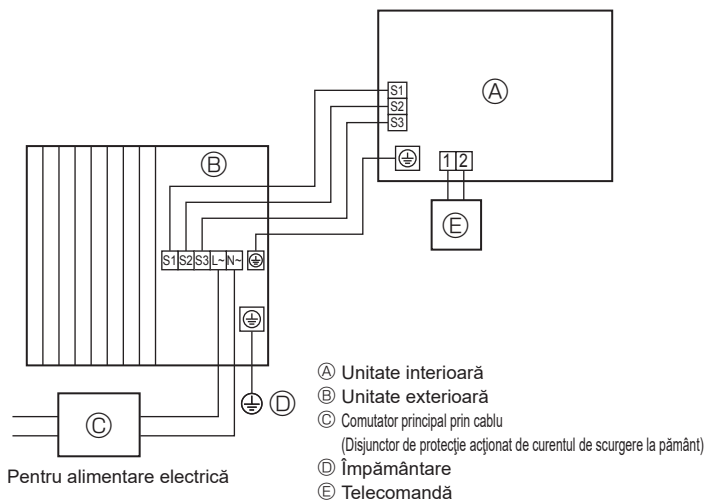


Fig. 6-1

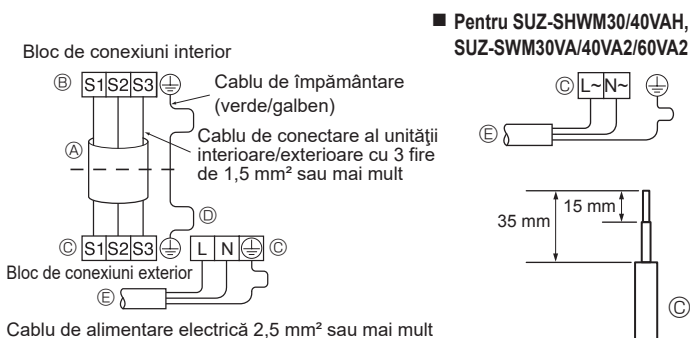
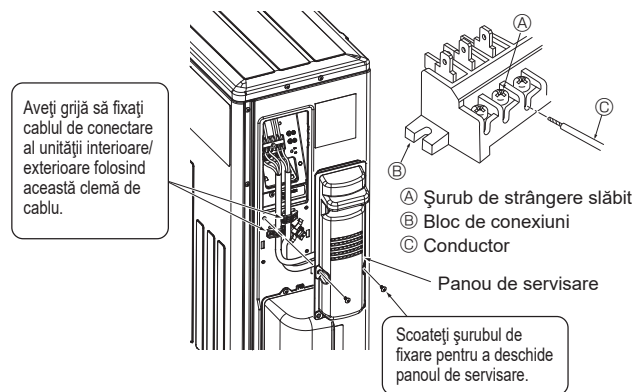


Fig. 6-2

#### ■ SUZ-SWM30VA, SUZ-SWM40VA2, SUZ-SWM60VA2, SUZ-SHWM30VAH, SUZ-SHWM40VAH



#### ■ SUZ-SWM80VA2, SUZ-SWM100VA, SUZ-SWM80VAH2, SUZ-SWM100VAH, SUZ-SHWM60VAH

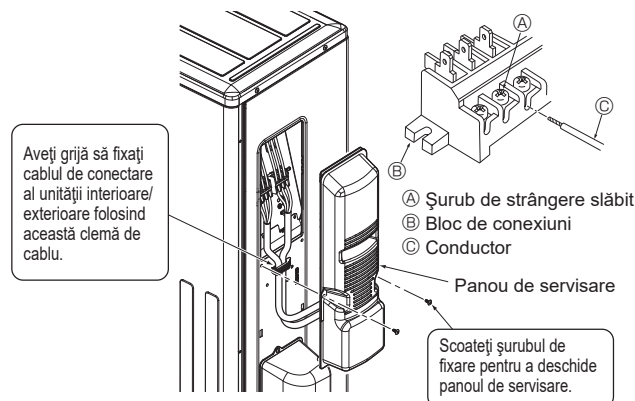


Fig. 6-3

- Efectuați cablarea conform diagramei din stânga jos. (Achiziționați cablul la nivel local) (Fig. 6-2)
- Aveți grijă să utilizați numai cabluri cu polaritatea corectă.

- Ⓐ Cablu de conectare
- Ⓑ Bloc de conexiuni interior
- Ⓒ Bloc de conexiuni exterior
- Ⓓ Instalați întotdeauna un cablu cu împământare mai lung decât celelalte cabluri.
- Ⓔ Cablu de alimentare electrică
- Ⓕ Conductor

- Cablu de împământare trebuie să fie puțin mai lung decât celelalte cabluri. (peste 100 mm)
- În vederea servisării ulterioare, asigurați o lungime suplimentară a cablurilor de conectare.
- Asigurați-vă că atașați fiecare șurub la terminalul corespunzător atunci când fixați cordonul conector și/sau cablul la blocul de conexiuni.

- Conectați corect cablul de la unitatea interioară la blocul de conexiuni.
- Utilizați același bloc de conexiuni și aceeași polaritate ca în cazul unității interioare.
- Pentru operațiile de întreținere ulterioare, asigurați un cablu de conectare cu lungime suplimentară.

- Ambele capete ale cablului de conectare (cablu prelungitor) sunt desprinse. În cazul în care cablul este prea lung sau conectat prin tăierea acestuia de la mijloc, desprindeți învelișul cablului de alimentare electrică pentru a ajunge la dimensiunea indicată în figură.
- Aveți grijă să nu aduceți cablul de conectare în contact cu conductele.

### ⚠ ATENȚIE:

- Aveți grijă să nu conectați cablurile greșit.
- Strângeți ferm șuruburile de strângere pentru a preveni slăbirea acestora.
- După strângere, trageți ușor de cabluri pentru a vă asigura că acestea nu se deplasează de la locurile lor.

### ⚠ AVERTIZARE:

- Aveți grijă să atașați în siguranță panoul de servisare al unității exterioare. Dacă acesta nu este atașat corect, se poate produce un incendiu sau electrocutarea din cauza prafului, apei etc.
- Strângeți bine șuruburile de strângere.
- Cablajul trebuie efectuat astfel încât liniile de alimentare să nu fie sub tensiune. În caz contrar, poate fi generată căldură sau un incendiu.

## 6. Instalația electrică

### 6.2. Circuitul electric

Model unitate exterioră	SUZ-SHWM30VAH/40VAH SUZ-SWM30VA/40VA2/60VA2	SUZ-SHWM60VAH SUZ-SWM80VA(H)2/SWM100VA(H)
Sursă de alimentare unitate exterioră	~N (o fază), 50 Hz, 230 V	~N (o fază), 50 Hz, 230 V
Capacitatea de intrare a unității exterioare	Înterupător principal (Înterupător de circuit) *1	16 A
Nr. cablu din cablaj × dimensiune (mm <sup>2</sup> )	Sursă de alimentare unitate exterioră	2 × min. 2,5
	Sursă de alimentare și împământare unitate exterioră	1 × min. 2,5
	Unitate interioară-unitate exterioră	3 × 1,5 (polaritate)
	Împământare unitate interioară-unitate exterioră	1 × min. 1,5
Putere nominală circuit	Unitate exterioră L-N *2	230 VCA
	S1-S2 unitate interioară-unitate exterioră *2	230 VCA
	S2-S3 unitate interioară-unitate exterioră *2	12 V CC – 24 V CC

\*1. La livrare, veți primi un întrerupător de circuit cu o distanță între contacte de cel puțin 3 mm la fiecare pol. Utilizați un întrerupător cu împământare (NV). Întrerupătorul cu împământare folosit trebuie să fie un întrerupător compatibil cu armonice de înaltă frecvență.

Utilizați întotdeauna un întrerupător cu împământare compatibil cu armonice de înaltă frecvență, deoarece această unitate este prevăzută cu un invertor. Utilizarea unui întrerupător inadecvat poate determina funcționarea incorectă a invertorului.

\*2. Cifrele NU se raportează întotdeauna la împământare.

Terminalul S3 prezintă o tensiune cu 24 VCC mai mare decât terminalul S2. Cu toate acestea, în ceea ce privește terminalele S3 și S1, acestea NU sunt izolate electric de către transformator sau alte dispozitive.

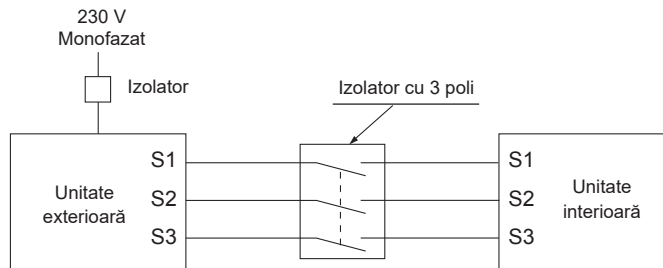
**Note:** 1. Dimensiunea cablajului trebuie să corespundă cu reglementările locale și naționale în vigoare.

2. Cablurile de alimentare și cablurile de conectare ale unității interioare/unității exterioare nu trebuie să fie mai ușoare decât cablul flexibil cu manșon din policloropren. (Model 60245 IEC 57)

3. Instalați un cablu cu împământare mai lung decât celelalte cabluri.

4. Pentru instalația de alimentare cu curent electric, utilizați cabluri de distribuție cu autostingere.

5. Poziționați cu atenție cablurile astfel încât acestea să nu intre în contact cu marginile de metal sau cu vârful vreunui șurub.



### ⚠️ AVERTIZARE:

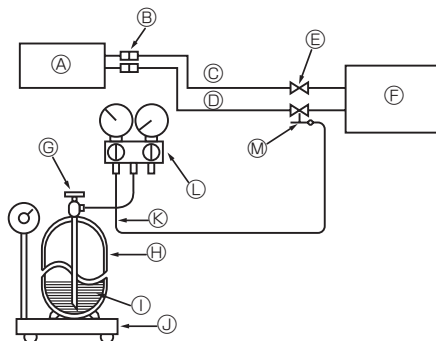
Există posibilitatea unei tensiuni ridicate pe borna S3 cauzată de modul de proiectare al circuitului electric care nu a fost prevăzut cu o izolație electrică între linia de alimentare cu curent și linia de comunicare a semnalului. Din această cauză, vă rugăm să închideți alimentarea cu curent electric în timpul efectuării operațiilor de întreținere. Și nu atingeți bornele S1, S2, S3 dacă aparatul este sub tensiune. Dacă trebuie să utilizați un izolator între unitatea interioară și cea exterioară, vă rugăm să utilizați un izolator cu 3 poli.

Nu secționați niciodată cablul de alimentare sau cablul de conectare interior/exterior; în caz contrar, se poate produce fum, incendiu sau erori de comunicație.

Trebuie să conectați cablurile de conectare interior-exterior direct la unitățile respective (fără conexiuni intermediare).

Conexiunile intermediare pot determina apariția unor erori de comunicare dacă apa intră în cabluri și determină izolarea insuficientă la pământ sau un contact electric defect la punctul intermediar de conectare.

## 7. Întreținerea



- |  |  |
|--|--|
| (A) Unitate interioară                             | (H) Butelie de gaz refrigerant pentru R32 cu țevă de aspirație |
| (B) Îmbinare                                       | (I) Agent frigorific (lichid)                                  |
| (C) Conductă pentru lichide                        | (J) Scală electronică pentru alimentarea cu agent frigorific   |
| (D) Conductă de gaz                                | (K) Furtun de alimentare (pentru R32)                          |
| (E) Supapă de reținere                             | (L) Supapă manometru pentru conducte (pentru R32)              |
| (F) Unitate exterioară                             | (M) Orificiu de servizare                                      |
| (G) Supapă de acționare butelie de gaz refrigerant |  |

Fig. 7-1

### 7.1. Încărcare cu gaz (Fig. 7-1)

- Racordați butelia de gaz la orificiul de servizare al supapei de reținere (3 căi).
- Purjați aerul din conductă (sau furtunul) care pornește de la butelia de gaz refrigerant.
- Completați cu cantitatea de agent frigorific specificată în timp ce acționați pompa de căldură aer-apă pentru răcire.

Notă:

În cazul adăugării de agent frigorific, respectați cantitatea specificată pentru ciclul de refrigerare.

### ⚠️ ATENȚIE:

- Nu evacuați agentul frigorific în atmosferă. Aveți grijă să nu evacuați agentul frigorific în atmosferă în timpul instalării, reînălțării sau reparațiilor efectuate asupra circuitului de agent frigorific.
- Pentru încărcare suplimentară, încărcați agentul frigorific în faza lichidă a buteliei de gaz. Dacă agentul frigorific este încărcat din faza gazoasă, se poate schimba compoziția agentului frigorific din interiorul buteliei și al unității exterioare. În acest caz, capacitatea ciclului de refrigerare este redusă sau funcționarea normală poate fi imposibilă. Cu toate acestea, încărcarea întregii cantități de agent frigorific în stare lichidă poate cauza blocarea compresorului. Prin urmare, încărcați agentul frigorific încet.

Pentru a menține presiunea înaltă a buteliei de gaz, încălziți-o cu apă caldă (cu o temperatură mai mică de 40 °C) pe timpul sezonului rece. Nu utilizați niciodată flăcări deschise sau aburi.

## 8. Rețeaua de conducte de apă

### 8.1. Cantitatea minimă de apă

Consultați instrucțiunile de instalare a unității interioare.

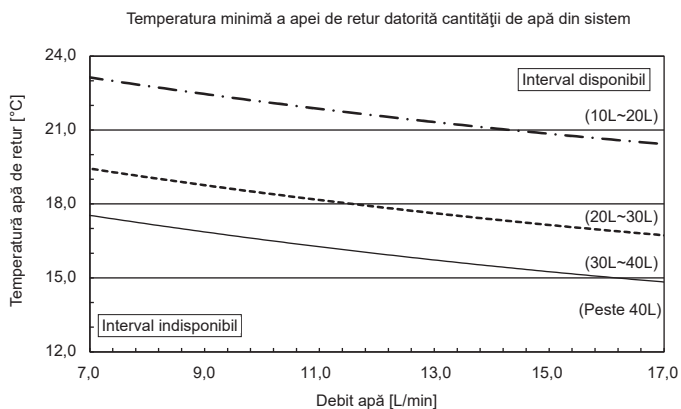
### 8.2. Intervalul disponibil (debitul apei, temperatura apei de retur)

Asigurați următorul debit al apei și interval al temperaturii de retur pentru circuitul de apă.

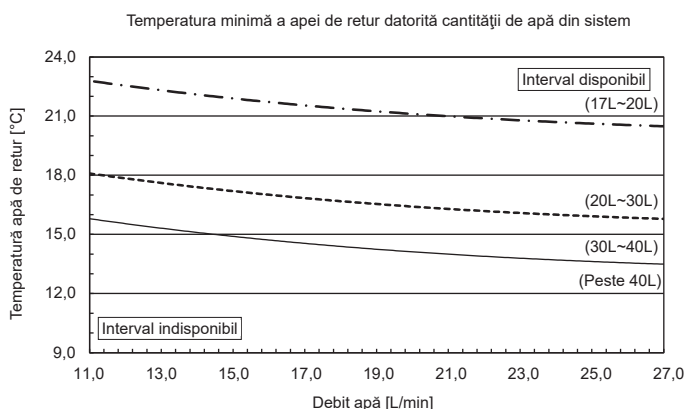
Aceste curbe corespund cantității de apă.

#### ■ Încălzire

SUZ-SWM30VA SUZ-SHWM30VAH  
SUZ-SWM40VA2 SUZ-SHWM40VAH  
SUZ-SWM60VA2



SUZ-SWM80VA(H)2  
SUZ-SWM100VA(H)  
SUZ-SHWM60VAH



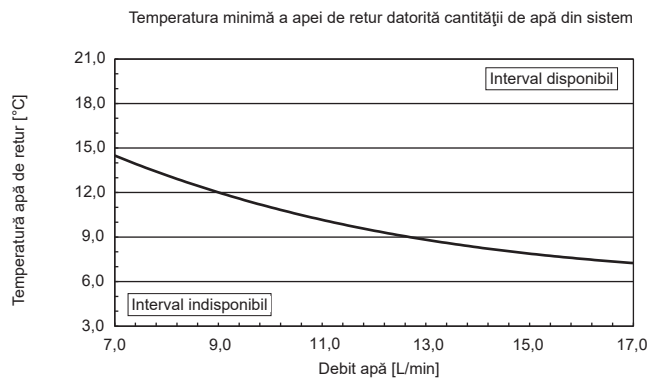
#### Notă:

- Asigurați-vă că, în timpul dezghețării, evitați intervalul indisponibil. În caz contrar, unitatea exterioară va fi dezghețată insuficient și/sau schimbătorul de căldură al unității interioare poate îngheța.
- Temperatura de tur TREBUIE să fie întotdeauna de MINIMUM 32°C atunci când temperatura exterioară scade sub -15°C. Potențiale riscuri ca placa schimbătorului de căldură să înghețe și să se deterioreze, precum și ca placa externă a schimbătorului de căldură să înghețe din cauza degivrării insuficiente.

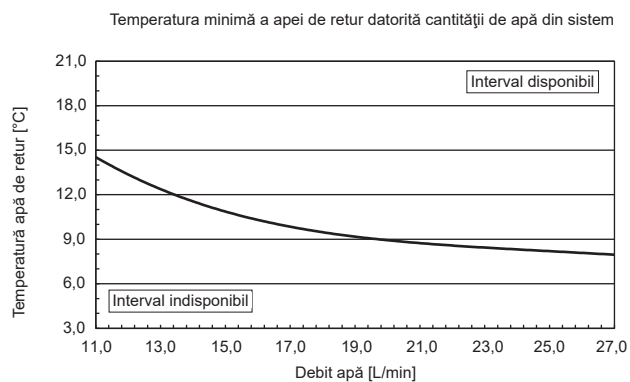
## 8. Rețeaua de conducte de apă

### ■ Răcire

SUZ-SWM30VA SUZ-SHWM30VAH  
SUZ-SWM40VA2 SUZ-SHWM40VAH  
SUZ-SWM60VA2



SUZ-SWM80VA(H)2  
SUZ-SWM100VA(H)  
SUZ-SHWM60VAH



#### Notă:

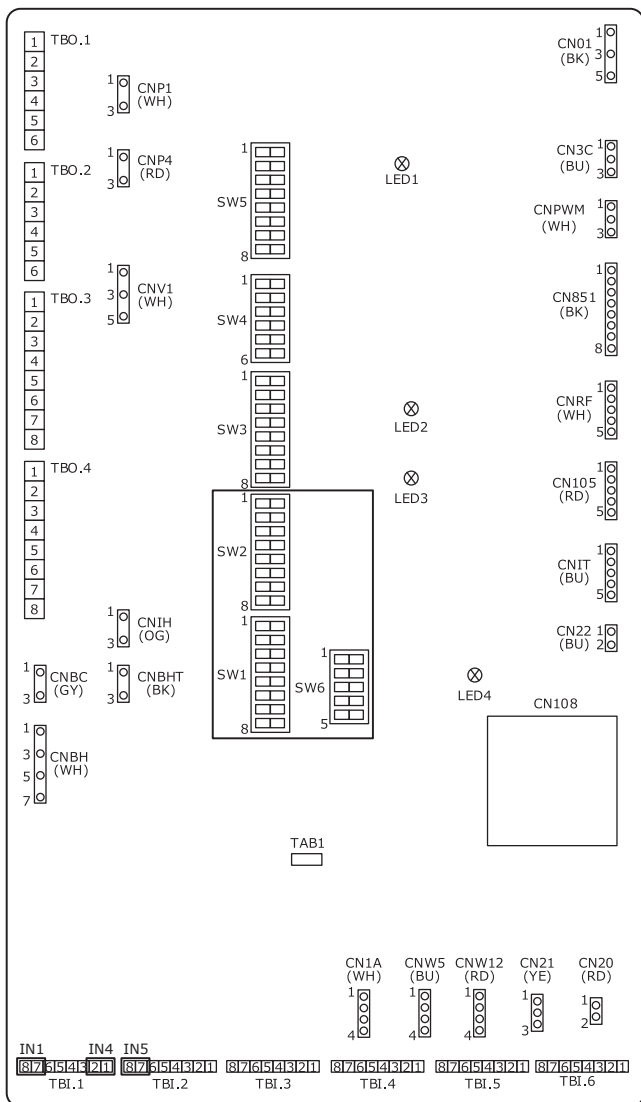
Asigurați-vă că, în timpul dezghețării, evitați intervalul indisponibil.

În caz contrar, unitatea exterioară va fi dezghețată insuficient și/sau schimbătorul de căldură al unității interioare poate îngheța.

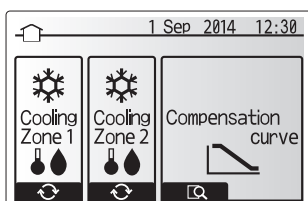
## 9. Evacuarea completă a agentului frigorific

La reamplasarea sau eliminarea unității exterioare, evacuați complet agentul frigorific din sistem conform procedurii descrise mai jos astfel încât în atmosferă să nu fie eliberată nicio cantitate de agent frigorific.

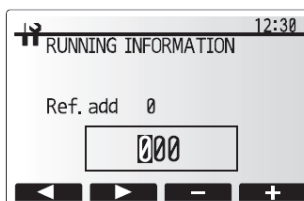
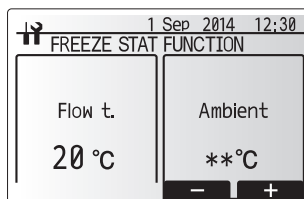
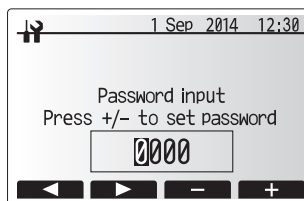
- ① Opriti întregul circuit de alimentare cu curent (inclusiv unitatea interioară, încălzitorul, unitatea exterioară etc.)
- ② Conectați supapa manometrului pentru conducte la oficiul de servizare al supapei de reținere de pe partea conductei de gaz a unității exterioare.
- ③ Închideți complet supapa de reținere de pe partea conductei pentru lichide a unității exterioare.
- ④ Modificați setările la unitatea interioară.
  - Setati întrerupătorul de tip „DIP switch” SW1-3 pe OFF (Oprit), SW2-1 pe OFF (Oprit), SW2-4 pe ON (Pornit) și SW6-3 pe OFF (Oprit) de pe panoul de control interior.
  - Deconectați intrările de semnal IN1 (intrare termostat cameră 1), IN4 (Intrare control cerere) și IN5 (Intrare termostat exterior).



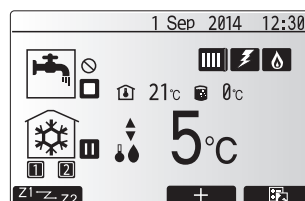
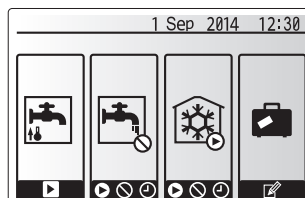
- ⑤ Porniți întregul circuit de alimentare.
- ⑥ Din meniul principal al panoului de control principal al unității interioare, selectați „Heating/cooling mode” (Mod încălzire-răcire) → „Cooling flow temp.” (Temp. flux răcire).



- ⑦ Din meniul principal, selectați „Service” (Servisare) și modificați setările după cum este indicat mai jos. Vi se va cere să introduceți o parolă. PAROLA IMPLICITĂ DIN FABRICĂ este „0000”.
  - Selectați „Operation settings” (Setări operațiuni) → „Freeze stat function” (Funcția de protecție la îngheț), apoi setați temperatura minimă exterioară \*(asterisc).
  - Selectați „Running information” (Informații privind funcționarea), iar apoi setați adresa de referință la 351.



- ⑧ Efectuați operația de colectare a agentului frigorific.
  - Apăsati butonul „ON/OFF” (Pornire/Oprire) de pe panoul de control principal.
  - Din meniul cu opțiuni, setați „Cooling ON” (Mod răcire pornit).
  - Setati temperatura țintă a fluxului la 5 °C. Dacă sistemul este controlat de un termostat la temperatura camerei, setati temperatura țintă a camerei la 10 °C. Operația de colectare a agentului frigorific începe după 60 de secunde.
  - Pentru detalii sau pentru alte informații privind setările panoului de control principal, consultați manualul de instalare sau manualul de utilizare al unității interioare.



Se continuă pe pagina următoare.

## 9. Evacuarea completă a agentului frigorific

- ⑨ Închideți complet supapa de reținere de pe partea conductei de gaz a unității exterioare atunci când manometrul indică valoarea de 0,05 - 0 MPa [manometru] (aproximativ 0,5 - 0 kgf/cm<sup>2</sup>) și opriți rapid unitatea exterioară.
- Apăsați butonul „ON/OFF” (Pornire/Oprire) de pe telecomandă pentru a opri unitatea exterioară.
  - \* Nu uitați, dacă instalația extinsă este foarte lungă, cu o cantitate mare de agent frigorific, este posibil ca operația de golire a instalației să nu poată fi efectuată. În acest caz, utilizați echipamentul de recuperare a agentului frigorific pentru a colecta tot agentul frigorific din sistem.
- ⑩ Reveniți la setarea din panoul de control principal schimbata în timpul procedurii ⑨ de mai sus.
- ⑪ Apăsați butonul „ON/OFF” (Pornire/Oprire) timp de aproximativ 3 secunde pe panoul de control principal al unității interioare pentru a opri unitatea.
- ⑫ Reveniți la setările din panoul de control principal schimbate în timpul oricăror alte proceduri în afară de procedura ⑩.
- \* Resetarea „Running information” (Informații privind funcționarea): Setati adresa de referință la 350.
- ⑬ Opriți întregul circuit de alimentare cu curent și reveniți la setările inițiale ale întrerupătorului de tip „DIP switch” de pe panoul de circuite interior.
- ⑭ Demontați supapa manometrului pentru conducte, apoi deconectați conductele de curgere a agentului frigorific.



### AVERTIZARE:

Atunci când circuitul de refrigerare prezintă scurgeri, NU pompați folosind compresorul.

Atunci când agentul frigorific este pompat, opriți compresorul înainte de a debransa conductele de agent frigorific.

- În cazul în care conductele de curgere a agentului frigorific sunt deconectate în timp ce compresorul este funcțional și supapa de reținere (supapă cu bilă) este deschisă, presiunea din ciclul de refrigerare ar putea deveni extrem de ridicată dacă aerul este aspirat, cauzând conductele să explodeze, vătămări personale etc.



### ATENȚIE:

NU utilizați acest mod de RĂCIRE atunci când conexiunea la o unitate interioară nu permite utilizarea modului de RĂCIRE în alt scop decât pentru pompe.

## 10. Specificații

Modelul exterior		SUZ-SWM30VA	SUZ-SHWM30VAH	SUZ-SWM40VA2	SUZ-SHWM40VAH	SUZ-SWM60VA2
Alimentare electrică	V / Fază / Hz	230 / Simplu / 50				
Dimensiuni (L × Î × D)	mm	800 × 714 × 285				
Nivel putere acustică (Încălzire)	*1 dB(A)	57	57	57	58	60
	*2 dB(A)	54	54	54	55	56

Modelul exterior		SUZ-SHWM60VAH	SUZ-SWM80VA(H)2	SUZ-SWM100VA(H)
Alimentare electrică	V / Fază / Hz	230 / Simplu / 50		
Dimensiuni (L × Î × D)	mm	840 × 880 × 330		
Nivel putere acustică (Încălzire)	*1 dB(A)	60	60	62
	*2 dB(A)	58	59	60

\*1. Măsurat la frecvența de funcționare nominală la o temperatură ambiantă de 7 °C DB/6 °C WB și o temperatură de ieșire a apei de 55 °C

\*2. Măsurat în conformitate cu standardul EN12102 în condițiile stabilite de standardul EN14825

EU DECLARATION OF CONFORMITY  
EU-KONFORMITÄTSEKTLÄRUNG  
DÉCLARATION DE CONFORMITÉ UE  
EU-CONFORMITEITSVERKLARING  
DECLARACIÓN DE CONFORMIDAD UE  
DICHIARAZIONE DI CONFORMITÀ UE  
ΔΗΛΩΣΗ ΣΥΜΜΟΡΦΩΣΗΣ ΕΕ  
DECLARAÇÃO DE CONFORMIDADE UE  
EU-OVERENSSTEMMELSESEKTLÆRING

EG-DEKLARATION OM ÖVERENSSTÄMMELSE  
AV UYGUNLUK BEYAN  
ДЕКЛАРАЦИЯ СООТВЕТСТВИЯ НОРМАМ ЕС  
ДЕКЛАРАЦІЯ ВІДПОВІДНОСТІ ВИМОГАМ ЄС  
ЕС ДЕКЛАРАЦІЯ ЗА СЪОТВЕТСТВИЕ  
DEKLARACJA ZGODNOŚCI UE  
EU-ERKLÆRING OM SAMSVAR  
EU-VAATIMUSTENMUKAISUUSVAKUUTUS  
EU PROHLÁŠENÍ O SHODĚ

EU VYHLÁŠENIE O ZHODE  
EU MEGFELELŐSÉGI NYILATKOZAT  
IZJAVA EU O SKLADNOSTI  
DECLARAȚIE DE CONFORMITATE UE  
EL-I VASTAVUSDEKLARATSIOON  
ES ATBILSTĪBAS DEKLARĀCIJA  
ES ATITIKTIES DEKLARACIJA  
EU IZJAVA O SUKLADNOSTI  
EU IZJAVA O USAGLAŠENOSTI

**MITSUBISHI ELECTRIC CONSUMER PRODUCTS (THAILAND) CO., LTD**  
**700/406 MOO 7, TAMBON DON HUA ROH, AMPHUR MUANG, CHONBURI 20000, THAILAND**

hereby declares under its sole responsibility that the air conditioner(s) and heat pump(s) for use in residential, commercial, and light-industrial environments described below:  
erklärt hiermit auf seine alleinige Verantwortung, dass die Klimaanlage(n) und Wärmepumpe(n) für das häusliche, kommerzielle und leichtindustrielle Umfeld wie unten beschrieben:  
déclare par la présente et sous sa propre responsabilité que le(s) climatiseur(s) et la/les pompe(s) à chaleur destinés à un usage dans des environnements résidentiels, commerciaux et d'industrie légère décrits ci-dessous :  
verklaart hierbij onder eigen verantwoordelijkheid dat de voor huishoudelijke, handels- en lichtindustriële omgevingen bestemde airconditioner(s) en warmtepomp(en) zoals onderstaand beschreven:

por la presente declara, bajo su exclusiva responsabilidad, que el(los) acondicionador(es) de aire y la(s) bomba(s) de calor previsto(s) para su uso en entornos residenciales, comerciales y de industria ligera que se describen a continuación:

conferma con la presente, sotto la sua esclusiva responsabilità, che i condizionatori d'aria e le pompe di calore destinati all'utilizzo in ambienti residenziali, commerciali e semi-industriali e descritti di seguito:

με το παρόν δηλώνει με αποκλειστική ευθύνη ότι το ή τα κλιματιστικά και η ή οι αντλίες θερμότητας για χρήση σε οικιακά, εμπορικά και επαγγελματικά περιβάλλοντα που περιγράφονται παρακάτω:

declara pela presente, e sob sua exclusiva responsabilidade, que o(s) aparelho(s) de ar condicionado e a(s) bomba(s) de calor destinados a utilização em ambientes residenciais, comerciais e de indústria ligeira descritos em seguida:

erklærer hermed under eneansvar, at det/de herunder beskrevne airconditionanlæg og varmepumpe(r) til brug i beboelses- og erhvervs miljøer samt i miljøer med let industri:

intyggar härmed att luftkonditioneringarna och värmepumparna som beskrivs nedan för användning i bostäder, kommersiella miljöer och lätta industriella miljöer:

ev, ticaret ve hafif sanayi ortamlarında kullanıma yönelik aşağıda açıklanan klima ve ısıtma pompalarıyla ilgili aşağıdaki hususları yalnızca kendi sorumluluğunda olmak üzere beyan eder:

настоящим заявляет под свою исключительную ответственность, что кондиционер (-ы) и тепловой (-ые) насос (-ы) для использования в описанных ниже жилых, коммерческих и небольших складских и промышленных помещениях:

цим заявляю, беручи на себе повну відповідальність за це, що кондиціонер (-и) й тепловий (-и) насос (-и), описані нижче й призначені для використання в житлових приміщеннях, торговельних залах і на підприємствах легкої промисловості:

декларира с настоящата на своя собствена отговорност, че климатикъ(те) и термомпата(ите), посочени по-долу и предназначени за употреба в жилищни, търговски и лекопромишлени среди:

niniejszym oświadczam na swoją wyłączną odpowiedzialność, że klimatyzatory i pompy ciepła do zastosowań w środowisku mieszkalnym, handlowym i lekko przemysłowym opisane poniżej:

erklærer et fullstendig ansvar for undernevnte klimaapparat og varmepumper ved bruk i boliger, samt kommersielle og lettindustrielle miljøer:

vakuuttaa täten yksinomaista vastuutaan, että jäljempänä kuvutat asuinrakennuksiin, pientaloisuuskäyttöön ja kaupalliseen käyttöön tarkoitettuihin ilmastointilaitteisiin ja lämpöpumpuihin:

tímto na vlastní odpovědnost prohlašuji, že níže popsané klimatizační jednotky a tepelná čerpadla pro použití v obytných prostředích, komerčních prostředích a prostředích lehkého průmyslu:

týmto na svoju výlučnú zodpovednosť vyhlasuje, že nasledovné klimatizačné jednotky a tepelné čerpadlá určené na používanie v obytných a obchodných priestoroch a v prostredí ľahkého priemyslu:

alulírott kizárólagos felelősségére nyilatkozik, hogy az alábbi lakossági, kereskedelmi és kisipari környezetben való használatra szánt klímaberendezés(ek) és hőszivattyú(k):

na lastno odgovornost izjavlja, da so spodaj opisane klimatske naprave in toplotne črpalke, namenjene za uporabo v stanovanjskih, poslovnih in lahkoindustrijskih okoljih:

declară prin prezenta, pe proprie răspundere, faptul că aparatele de climatizare și pompele de căldură descrise mai jos și destinate utilizării în medii rezidențiale, comerciale și din industria ușoară:

kinnitab oma ainuvastutustel, et allpool toodud elu-, äri- ja kergtööstuskeskkondades kasutamiseks mõeldud kliimaseadmed ja soojuspumbad:

ar šo, vienpersoniski uzņemoties atbildību, paziņo, ka tālāk aprakstītais(-tie) gaisa kondicionētājs(-i) un siltumsūkņis(-i) ir paredzēti lietošanai dzīvojamajās, komercdarbības un vieglās rūpniecības telpās, kas aprakstītas tālāk:

šiuo vien tik savo atsakomybe pareiškia, kad toliau apibūdintas (-i) oro kondicionierius (-iai) ir šilumos siurblys (-iai), skirtas (-i) naudoti toliau apibūdintose gyvenamosiose, komercinėse ir lengvosios pramonės aplinkose:

ovime izjavljuje pod isključivom odgovornošću da je/su klimatizacijski uređaji(i) i toplinska dizalica(e) opisan(i) u nastavku namijenjen(i) za upotrebu u stambenim i poslovnim okruženjima te okruženjima lake industrije:

ovim izjavljuje na svoju isključivu odgovornost da su klima-uređaji i toplotne pumpe za upotrebu u stambenim, komercijalnim okruženjima i okruženjima lake industrije opisani u nastavku:

**MITSUBISHI ELECTRIC, SUZ-SWM30VA\*, SUZ-SWM40VA\*, SUZ-SWM60VA\*, SUZ-SWM80VA\*, SUZ-SWM100VA\***  
**SUZ-SHWM30VAH\*, SUZ-SHWM40VAH\*, SUZ-SHWM60VAH\*, SUZ-SWM80VAH\*, SUZ-SWM100VAH\***  
**\* : , , 1, 2, 3, , , , 9**

is/are in conformity with provisions of the following Union harmonisation legislation.  
die Bestimmungen der folgenden Harmonisierungsrechtsvorschriften der Union erfüllen/

erfüllen.  
est/sont conforme(s) aux dispositions de la législation d'harmonisation de l'Union

suivante.  
voldoet/voldoen aan bepalingen van de volgende harmonisatiewetgeving van de Unie.

cumple(n) con las disposiciones de la siguiente legislación de armonización de la Unión.

sono in conformità con le disposizioni della seguente normativa dell'Unione sull'armonizzazione.

συμμορφώνονται με τις διατάξεις της ακόλουθης νομοθεσίας εναρμόνισης της Ένωσης.

está/estão em conformidade com as disposições da seguinte legislação de harmonização da União.

er i overensstemmelse med bestemmelse i følgende harmoniserede EU-lovgivning.

uppfyller villkoren i följande harmoniserade föreskrifter inom unionen.

აşağıdaki Avrupa Birliği uyumlaştırma mevzuatının hükümlerine uygundur.

соответствуют положениям следующих законодательных актов Союза о гармонизации.

2014/35/EU: Low Voltage Directive  
2006/42/EC: Machinery Directive  
2014/30/EU: Electromagnetic Compatibility Directive  
2011/65/EU, (EU) 2015/863 and (EU) 2017/2102: RoHS Directive  
2009/125/EC: Energy-related Products Directive and Regulation (EU) No 813/2013

відповідають положенням вказаного далі законодавства Союзу щодо гармонізації.  
е/са в съответствие с разпоредбите на следното законодателство на Съюза за

хармонизация.  
są zgodne z przepisami następującego unijnego prawodawstwa harmonizacyjnego.

er i samsvar med forskriftene til følgende EU-lovgivning om harmonisering.

ovat seuraavan unionin yhdenmukaistamislainsäädännön säännösten mukaisia.

jsou v souladu s ustanoveními následujících harmonizačních právních předpisů Unie.

spĺňajú ustanovenia nasledujúcich harmonizovaných noriem EÚ.

megfelel(nek) az Unió alábbi harmonizációs jogszabályi előírásainak.

v skladu z določbami naslednje usklajevalne zakonodaje Unije.

sunt în conformitate cu dispozițiile următoare legislații de armonizare a Uniunii.

atbilst šādiem ES harmonizētajiem tiesību aktu noteikumiem.

taip pat atitinka kitų toliau išvardytų suderintųjų Sąjungos direktyvų nuostatas.

sukladan(i) odredbama sljedećeg zakonodavstva Unije za sukladnost.

u skladu sa odredbama sledećeg usklađivanja zakonodavstva Unije.



## <ENGLISH>

English is original. The other languages versions are translation of the original.

### ▲ CAUTION

- Refrigerant leakage may cause suffocation. Provide ventilation in accordance with EN378-1.
- Be sure to wrap insulation around the piping. Direct contact with the bare piping may result in burns or frostbite.
- Never put batteries in your mouth for any reason to avoid accidental ingestion.
- Battery ingestion may cause choking and/or poisoning.
- Install the unit on a rigid structure to prevent excessive operation sound or vibration.
- The A-weighted sound pressure level is below 70dB.
- This appliance is intended to be used by expert or trained users in shops, in light industry and on farms, or for commercial use by lay persons.

## <DEUTSCH>

Das Original ist in Englisch. Die anderen Sprachversionen sind vom Original übersetzt.

### ▲ VORSICHT

- Wenn Kältemittel austritt, kann dies zu Ersticken führen. Sorgen Sie in Übereinstimmung mit EN378-1 für Durchlüftung.
- Die Leitungen müssen isoliert werden. Direkter Kontakt mit nicht isolierten Leitungen kann zu Verbrennungen oder Erfrierungen führen.
- Nehmen Sie niemals Batterien in den Mund, um ein versehentliches Verschlucken zu vermeiden.
- Durch das Verschlucken von Batterien kann es zu Erstickungen und/oder Vergiftungen kommen.
- Installieren Sie das Gerät auf einem stabilen Untergrund, um übermäßige Betriebsgeräusche oder -schwingungen zu vermeiden.
- Der A-gewichtete Schalldruckpegel ist niedriger als 70dB.
- Dieses Gerät ist vorgesehen für die Nutzung durch Fachleute oder geschultes Personal in Werkstätten, in der Leichtindustrie und in landwirtschaftlichen Betrieben oder für die kommerzielle Nutzung durch Laien.

## <FRANÇAIS>

L'anglais est l'original. Les versions fournies dans d'autres langues sont des traductions de l'original.

### ▲ PRECAUTION

- Une fuite de réfrigérant peut entraîner une asphyxie. Fournissez une ventilation adéquate en accord avec la norme EN378-1.
- Assurez-vous que la tuyauterie est enveloppée d'isolant. Un contact direct avec la tuyauterie nue peut entraîner des brûlures ou des engelures.
- Ne mettez jamais des piles dans la bouche pour quelque raison que ce soit pour éviter de les avaler par accident.
- Le fait d'ingérer des piles peut entraîner un étouffement et/ou un empoisonnement.
- Installez l'appareil sur une structure rigide pour prévenir un bruit de fonctionnement et une vibration excessifs.
- Le niveau de pression acoustique pondéré est en dessous de 70 dB.
- Cet appareil est conçu pour un utilisateur expert ou les utilisateurs formés en magasin, dans l'industrie légère et dans l'agriculture ou dans le commerce par le profane.

## <NEDERLANDS>

Het Engels is het origineel. De andere taalversies zijn vertalingen van het origineel.

### ▲ VOORZICHTIG

- Het lekken van koelvoelstof kan verstikking veroorzaken. Zorg voor ventilatie in overeenstemming met EN378-1.
- isoleer de leidingen met isolatiemateriaal. Direct contact met de onbedekte leidingen kan leiden tot brandwonden of bevriezing.
- Stop nooit batterijen in uw mond om inslikking te voorkomen.
- Het inslikken van batterijen kan verstikking of vergiftiging veroorzaken.
- Installeer het apparaat op een stabiele structuur om overmatig lawaai of trillingen te voorkomen.
- Het niveau van de geluidsdruk ligt onder 70 dB(A).
- Dit apparaat is bedoeld voor gebruik door ervaren of opgeleide gebruikers in werkplaatsen, in de lichte industrie en op boerderijen, of voor commercieel gebruik door leken.

## <ESPAÑOL>

El idioma original del documento es el inglés. Las versiones en los demás idiomas son traducciones del original.

### ▲ CUIDADO

- Las pérdidas de refrigerante pueden causar asfixia. Se debe proporcionar la ventilación determinada en EN378-1.
- Asegúrese de colocar el aislante alrededor de las tuberías. El contacto directo con la tubería puede ocasionar quemaduras o congelación.
- Para evitar una ingestión accidental, no coloque las pilas en su boca bajo ningún concepto.
- La ingestión de las pilas puede causar asfixia y/o envenenamiento.
- Coloque la unidad en una estructura rígida para evitar que se produzcan sonidos o vibraciones excesivos debidos a su funcionamiento.
- El nivel de presión acústica ponderado A es inferior a 70 dB.
- Este aparato está destinado a su uso por parte de usuarios expertos o capacitados en talleres, industrias ligeras y granjas, o a su uso comercial por parte de personas no expertas.

## <ITALIANO>

Il testo originale è redatto in lingua Inglese. Le altre versioni linguistiche rappresentano traduzioni dell'originale.

### ▲ ATTENZIONE

- Le perdite di refrigerante possono causare asfissia. Prevedere una ventilazione adeguata in conformità con la norma EN378-1.
- Accertarsi di applicare materiale isolante intorno alle tubature. Il contatto diretto con le tubature non schermate può provocare ustioni o congelamento.
- Non introdurre in nessun caso le batterie in bocca onde evitare ingestioni accidentali.
- L'ingestione delle batterie può provocare soffocamento e/o avvelenamento.
- Installare l'unità su una struttura rigida in modo da evitare rumore o vibrazioni eccessivi durante il funzionamento.
- Il livello di pressione del suono ponderato A è inferiore a 70dB.
- Questa apparecchiatura è destinata all'utilizzo da parte di utenti esperti o addestrati in negozi, industria leggera o fattorie oppure a un uso commerciale da parte di persone non esperte.

## <ΕΛΛΗΝΙΚΑ>

Η γλώσσα του πρωτοτύπου είναι η αγγλική. Οι εκδόσεις άλλων γλωσσών είναι μεταφράσεις του πρωτοτύπου.

### ▲ ΠΡΟΣΟΧΗ

- Η διαρροή του ψυκτικού ενδέχεται να προκαλέσει ασφυξία. Φροντίστε για τον εξαερισμό σύμφωνα με το πρότυπο EN378-1.
- Φροντίστε να τυλίξετε με μονωτικό υλικό τη σωλήνωση. Η απευθείας επαφή με τη γυμνή σωλήνωση ενδέχεται να προκαλέσει εγκαυματα ή κρυοπαγήματα.
- Μη βάζετε ποτέ τις μπαταρίες στο στόμα σας για κανένα λόγο ώστε να αποφύγετε την κατά λάθος κατάποσή τους.
- Η κατάποση μπαταριών μπορεί να προκαλέσει πνιγμό ή/και δηλητηρίαση.
- Εγκαταστήστε τη μονάδα σε σταθερή κατασκευή ώστε να αποφύγετε τον έντονο ήχο λειτουργίας ή τους κραδασμούς.
- Η Α-σταθμισμένη στάθμη ηχητικής πίεσης είναι κάτω των 70dB.
- Η Α-σταθμισμένη στάθμη ηχητικής πίεσης είναι κάτω των 70dB.
- Η συσκευή αυτή προορίζεται για χρήση από εμπειροπρόσωπους ή εκπαιδευμένους χρήστες σε καταστήματα, στην ελαφριά βιομηχανία και σε αγροκτήματα, ή για εμπορική χρήση από άτομα τα οποία δεν είναι ειδήμονες.

## <PORTUGUÊS>

O idioma original é o inglês. As versões em outros idiomas são traduções do idioma original.

### ▲ CUIDADO

- A fuga de refrigerante pode causar asfixia. Garanta a ventilação em conformidade com a norma EN378-1.
- Certifique-se de que envolve as tubagens com material de isolamento. O contacto directo com tubagens não isoladas pode resultar em queimaduras ou ulcerações provocadas pelo frio.
- Nunca coloque pilhas na boca, por nenhum motivo, para evitar a ingestão accidental.
- A ingestão de uma pilha pode causar obstrução das vias respiratórias e/ou envenenamento.
- Instale a unidade numa estrutura robusta, de forma a evitar ruídos ou vibrações excessivos durante o funcionamento.
- O nível de pressão sonora ponderado A é inferior a 70 dB.
- Este equipamento destina-se a ser utilizado por especialistas ou utilizadores com formação em lojas, na indústria ligeira e em quintas, ou para utilização comercial por leigos.

## <DANSK>

Engels er originalen. De andre sprogversioner er oversættelser af originalen.

### ▲ FORSIGTIG

- Lækage af kølemiddel kan forårsage kvælning. Sørg for udluftning i overensstemmelse med EN378-1.
- Sørg for at pakke rørene ind i isolering. Direkte kontakt med ubeklædte rør kan forårsage forbrændinger eller forfrysninger.
- Batterier må under ingen omstændigheder tages i munden for at forhindre utilsigtet indtagelse.
- Indtagelse af batterier kan forårsage kvælning og/eller forgiftning.
- Installer enheden på en fast struktur for at forhindre for høje driftslyde eller vibrationer.
- Det A-vægtede lydtrykniveau er under 70dB.
- Dette apparat er beregnet til at blive brugt af eksperter eller udlærte brugere i butikker, inden for let industri og på gårde eller til kommerciel anvendelse af lægmænd.

## <SVENSKA>

Engelska är originalspråket. De övriga språkversionerna är översättningar av originalet.

### ▲ FÖRSIKTIGHET

- Köldmedelsläckage kan leda till kvävning. Tillhandahåll ventilation i enlighet med EN378-1.
- Kom ihåg att linda isolering runt rören. Direktkontakt med bara rör kan leda till brännskador eller köldskador.
- Stoppa aldrig batterier i munnen, de kan sväljas av misstag.
- Om ett batteri sväljs kan det leda till kvävning och/eller förgiftning.
- Montera enheten på ett stadigt underlag för att förhindra höga driftljud och vibrationer.
- Den A-vägdade ljudtrycksnivån är under 70dB.
- Denna apparat är ämnad för användning av experter eller utbildade användare i affärer, inom lätt industri och på lanbruk, eller för kommersiell användning av lekmän.

## <TÜRKÇE>

Aslı İngilizce'dir. Diğer dillerdeki sürümler aslının çevirisidir.

### ▲ DİKKAT

- Soğutucu kaçağı boğulmaya neden olabilir. EN378-1 uyarınca uygun havalandırma sağlayın.
- Borular etrafına yalıtım yapıldığından emin olun. Borulara doğrudan çıplak elle dokunulması yanıklara veya soğuk ısırıklarına neden olabilir.
- Kazara yutmamak için, pilleri kesinlikle hiçbir amaçla ağzınızda tutmayın.
- Pillerin yutulması boğulmaya ve/veya zehirlenmeye yol açabilir.
- Aşırı çalıma seslerini veya titreşimi önlemek için, üniteyi sağlam bir yapı üzerine monte edin.
- A ağırıklı ses gücü seviyesi 70dB'nin altındadır.
- Bu cihaz tıbbiyleerde, hafif endüstriyel tesislerde ve çiftliklerde uzman veya eğitimli kullanıcılar tarafından kullanılmak üzere veya normal kullanıcılar tarafından ticari kullanım için tasarlanmıştır.

## <РУССКИЙ>

Языком оригинала является английский. Версии на других языках являются переводом оригинала.

### ▲ ОСТОРОЖНО

- Утечка хладагента может стать причиной удушья. Обеспечьте вентиляцию в соответствии с EN378-1.
- Обязательно оберните трубы изоляционным материалом. Непосредственный контакт с неизолированным трубопроводом может привести к ожогам или обморожению.
- Запрещается класть элементы питания в рот по каким бы то ни было причинам во избежание случайного проглатывания.
- Попадание элемента питания в пищеварительную систему может стать причиной удушья и/или отравления.
- Устанавливайте устройство на жесткую структуру во избежание чрезмерного шума или чрезмерной вибрации во время работы.
- Уровень звукового давления по шкале A не превышает 70 дБ.
- Данное устройство предназначено для использования специалистами или обученным персоналом в магазинах, на предприятиях легкой промышленности и фермах или для коммерческого применения неспециалистами.

## <УКРАЇНСЬКА>

Переклад оригіналу. Текст іншими мовами є перекладом оригіналу.

### ▲ ОБЕРЕЖНО

- Виток холодоагенту може призвести до удушся. Необхідно забезпечити вентиляцію відповідно до стандарту EN 378-1.
- Труби необхідно обмотати ізоляційним матеріалом. Прямий контакт із непокритою трубою може призвести до опіку або обмороження.
- Забороняється класти елементи живлення в рот із будь-яких причин, оскільки є ризик випадково їх проковтнути.
- Попадання елемента живлення в травну систему може стати причиною задхуки та/або отруєння.
- Встановлюйте блок на міцній конструкції, щоб уникнути надмірного рівня звуку роботи або вібрації.
- Рівень амплітудно зваженого акустичного тиску становить нижче 70 дБ.
- Цей прилад призначається для використання спеціалістами або особами, що пройшли відповідне навчання, у кранницях, легкій промисловості та сільськогосподарських підприємствах, а також для комерційного використання неспеціалістами.

## <БЪЛГАРСКИ>

Оригиналът е текстът на английски език. Версиите на други езици са преводи на оригинала.

### ▲ ВНИМАНИЕ

- Изтичането на хладилен агент може да причини задушаване. Осигурете вентилация съобразно с EN378-1.
- Не забравяйте да уветите изолация около тръбите. Директният контакт с оголени тръби може да причини изгаряне или измръзване.
- При никакви обстоятелства не поставяйте батериите в устата си, за да не ги поглънете по невнимание.
- Това може да доведе до задушаване и/или натравяне.
- Монтирайте тялото върху твърда конструкция, за да предотвратите прекомерен шум или вибрации по време на работа.
- А-претегленото ниво на звуково налягане е под 70 dB.
- Този уред е предназначен за използване от експерти или обучени потребители в магазини, в леката промисленост и във ферми, или за търговска употреба от неспециалисти.

## <POLSKI>

Językiem oryginału jest język angielski. Inne wersje językowe stanowią tłumaczenie oryginału.

### ▲ UWAGA

- Wyciek czynnika chłodniczego może spowodować uduszenie. Należy zapewnić wentylację zgodnie z normą EN378-1.
- Należy pamiętać, aby owinąć izolację wokół przewodów rurowych. Bezpośredni kontakt z niezabezpieczonymi przewodami rurowymi może doprowadzić do poparzeń lub odmrożeń.
- Nie wolno wkładać baterii do ust z jakiegokolwiek powodu, aby uniknąć przypadkowego połknięcia.
- Połknięcie baterii może spowodować zadławienie i/lub zatrucie.
- Zainstalować urządzenie na sztywnej konstrukcji, aby zapobiec nadmieremu hałasowi i wibracjom.
- Poziom dźwięku A nie przekracza 70 dB.
- W sklepach, w przemyśle lekkim i w gospodarstwach rolnych urządzenie powinni obsługiwać profesjonalni lub przeszkoleni użytkownicy, a w środowisku handlowym mogą to być osoby nieposiadające fachowej wiedzy.

## <NORSK>

Originalspråket er engelsk. De andre språkversjonene er oversettelser av originalen.

### ▲ FORSIKTIG

- Kjølemiddellekkasje kan forårsake kvælning. Sørg for ventilering i samsvar med EN378-1.
- Pass på at isoleringen pakkes godt rundt røret. Direkte kontakt med ukledte rør kan forårsake brannskader eller forfrysninger.
- Aldri plasser batteri i munnen, da dette kan medføre en risiko for at du svelger batteriet ved et uheld.
- Hvis du svelger et batteri, kan du risikere kvælning og/eller forgiftning.
- Installer enheten på en stabil struktur for å forhindre uønsket mye driftsstøy eller vibrering.
- Det A-vektede lydtryknivået er under 70 dB.
- Dette apparatet er ment for bruk av eksperter eller faglært personell i butikker, lettindustri og på gårder, eller for kommersielt bruk av ikke-fagmenn.

## <SUOMI>

Englanti on alkuperäinen. Muut kieliversiot ovat alkuperäiskappaleen käännöksiä.

### ▲ HUOMIO

- Vuotava kylmäaine voi aiheuttaa tukehtumisen. Ilmanvaihdon on oltava EN378-1-standardin mukainen.
- Kääri putken ympärille eristysmateriaalia. Paljaan putken koskettamisesta voi seurata palotai paleltumavammoja.
- Älä koskaan laita paristoja suuhun, jotta et vahingossa nielaisisi niitä.
- Paristojen nieleminen voi aiheuttaa tukehtumisen ja/tai myrkytyksen.
- Asenna yksikkö tukeviin rakenteisiin, jotta sen käytöstä ei syntyisi ylimääräistä ääntä tai värinää.
- A-painotettu äänenpainetaso on alle 70 dB.
- Laite on tarkoitettu asiantuntijoiden tai laitteelle koulutuksen saaneiden käyttöön kauppoissa, pienteollisuudessa ja maataloilla tai maailloille kaupalliseen käyttöön.

## <ČEŠTINA>

Originál je v angličtině. Ostatní jazykové verze jsou překladem originálu.

### ▲ POZOR

- Únik chladicího média může způsobit udušení. Zajistěte větrání v souladu s normou EN 378-1.
- Okolo potrubí vždy omotejte izolací. Přímý kontakt s obnaženým potrubím může způsobit popálení nebo omrzliny.
- Nikdy nevkládejte baterie do úst, aby nedošlo k jejich polknutí.
- Polknutí baterie může způsobit zadušení a/nebo otrávu.
- Jednotku nainstalujte na pevnou konstrukci, aby nedocházelo ke vzniku nadměrného provozního hluku a vibrací.
- Hladina akustického tlaku A je nižší než 70 dB.
- Toto zařízení je určeno pro prodejny, lehký průmysl a farmy, kde je musí obsluhovat odborníci a školení uživatelé, a pro komerční použití, kde je mohou obsluhovat laici.

## <SLOVENČINA>

Peklad anglického originálu. Všetky jazykové verzie sú preložené z angličtiny.

### ▲ UPOZORNENIE

- Únik chladiva môže spôsobiť udusenie. Zabezpečte vetranie podľa normy EN 378-1.
- Nezabudnite potrubie obaliť izoláciou. Priamy kontakt s nezabaleným potrubím môže spôsobiť popálenie alebo omrzliny.
- Batérie si nikdy z akéhokoľvek dôvodu nekladte do úst, aby nedošlo k ich náhodnému požitiu.
- Požitie batérií môže vyvolať dusenie a/alebo otrávu.
- Nainštalujte jednotku na pevný konštrukčný prvok, aby ste obmedzili nadmerný prevádzkový hluk a vibrácie.
- Hladina akustického tlaku A je nižšia ako 70 dB.
- Toto zariadenie je určené na používanie odborníkmi alebo zaškolenými používateľmi v komerčných priestoroch, v prostredí ľahkého priemyslu, na farmách, alebo na komerčné použitie bežnými používateľmi.

## <MAGYAR>

Az angol változat az eredeti. A többi nyelvi változat az eredeti fordítása.

### ▲ VIGYÁZAT

- A hűtőközeg szivárgása fulladást okozhat. Gondoskodjon az EN378-1 szabvány előírásai szerinti szellőztetésről.
- Feltétlenül szigetelje körbe a csöveket. A csupasz cső megérintése égési vagy fagyási sérülést okozhat.
- Ne vegyen a szájába elemet semmilyen célból, mert véletlenül lenyelheti!
- A lenyelt elem fulladást és/vagy mérgezést okozhat.
- A készülett merev szerkezetre szerelje fel, hogy megakadályozza a túlzott üzemi zajt és vibrációt.
- Az A-súlyozott hangnyomásszint 70 dB alatt van.
- A készülék üzletek, a könnyűipar és gazdaságok szakértő vagy képzett felhasználói, valamint laikus felhasználók általi kereskedelmi használatra készült.

## <SLOVENŠČINA>

Izvirnik je v angleščini. Druge jezikovne različice so prevodi izvirnika.

### ▲ POZOR

- Puščanje hladiva lahko povzroči zadušenje. Zagotovite prezračevanje po standardu EN378-1.
- Cevi ovijte z izolacijo. Neposredni stik z golimi cevmi lahko povzroči opekline ali ozebline.
- Nikoli in iz nobenega razloga ne vstavljajte baterij v usta, da jih po nesreči ne pogoltnete.
- Če baterije pogoltnete, se lahko zadužite in/ali zastupite.
- Enoto namestite na togo konstrukcijo, da preprečite pretiran zvok ali tresljaje med delovanjem.
- A-utežena raven zvočnega tlaka je pod 70 dB.
- Naprava je namenjena za uporabo s strani strokovnih ali ustrezno usposobljenih uporabnikov v trgovinah, lahki industriji in na kmetijah ter za komercialno uporabo s strani nestrokovnih uporabnikov.

## <ROMÂNĂ>

Textul original este în limba engleză. Versiunile pentru celelalte limbi sunt traduceri ale originalului.

### ▲ ATENȚIE

- Scurgerea de agent frigorific poate cauza asfixierea. Asigurați o ventilație corespunzătoare, conform standardului EN378-1.
- Asigurați-vă că înfășurați materialul izolator în jurul conductelor. Contactul direct cu conductele neizolate se poate solda cu arsuri sau degerături.
- Nu introduceți niciodată și pentru niciun motiv bateriile în gură, pentru a evita ingerarea accidentală a acestora.
- Ingerarea bateriilor poate cauza sufocarea și/sau intoxicația.
- Instalați unitatea pe o structură rigidă pentru a preveni producerea unui nivel excesiv de sunete sau vibrații.
- Nivelul de presiune acustică ponderată în A este mai mic de 70 dB.
- Acest aparat este destinat utilizării de către utilizatori specializați sau instruiți în cadrul spațiilor comerciale, spațiilor din cadrul industriei ușoare și al fermelor sau în scopuri comerciale de către nespecialiști.

## <EESTI>

Originaaljuhend on ingliskeelne. Muudes keeltes versioonid on originaali tõlked.

### ▲ ETTEVAATUST!

- Külmaaine leke võib põhjustada lämbumist. Tuulutamine standardi EN378-1 kohaselt.
- Mähkige torude ümber kindlasti isolatsiooni. Vahetu kontakt paljaste torudega võib põhjustada põletusi või külmakahjustusi.
- Hoiduge patareide tahtmatust allaneelamisest, ärge kunagi pange ühelgi põhjusel patareisid suhu.
- Patarei allaneelamine võib põhjustada lämbumist ja/või mürgitust.
- Paigaldage seade järgale struktuurile, et vältida ülemäärast tööheli ja vibreerimist.
- A-filtriga helirõhu tase on madalam kui 70 dB.
- Seade on mõeldud kasutamiseks asjatundjatele ja väljaõppe läbinud kasutajatele poodides, kergtööstuses ja taludes ning kommertskasutuseks tavaisikute poolt.

## <LATVIŠKI>

Orģināls ir angļu valodā. Versijas citās valodās ir oriģināla tulkojums.

### ▲ UZMANĪBU

- Aukstumaģenta noplūdes gadījumā pastāv nosmakšanas risks. Ir jānodrošina standartam EN378-1 atbilstoša ventilācija.
- Aptiniet caurules ar izolējošu materiālu. Pieskaroties neaptitām caurulēm, var gūt apdegumus vai apsaldējumus.
- Aizliegts ievietot baterijas mutē; pastāv norišanas risks.
- Bateriju norišana var izraisīt aizrīšanas un/vai saindēšanas.
- Uzstādiet iekārtu uz izturīgas struktūras, lai izvairītos no pārlieku liela darbības trokšņa vai vibrācijas.
- A — izsvārotais skaņas spiediena līmenis ir mazāks par 70 dB.
- Šo iekārtu paredzēts lietot speciālistiem vai apmācītiem lietotājiem veikalos, vieglās rūpniecības telpās un lauksaimniecības fermās, kā arī to var lietot nespeciālisti komerciālām vajadzībām.

## <LIETUVIŠKAI>

Originalas yra anglų k. Versijos kitomis kalbomis yra originalo vertimas.

### ▲ ATSARGIAI

- Dėl šaltnešio nuotėkio galima uždušti. Išvėdinkite patalpą pagal EN378-1.
- Būtinai vamzdelius apvyniokite izoliacija. Prisilietus prie plikų vamzdelių galima nusideginti arba nušalti.
- Siekdami išvengti atsitiktinio prarijimo, niekada nedėkite baterijų į burną.
- Prarijus bateriją galima užspringti ir / arba apsinuodyti.
- Įrenginį sumontuokite ant tvirtos struktūros, kad nesigirdėtų pernelyg didelio veikimo triukšmo ar vibracijos.
- A svertinis garso slėgio lygis nesiekia 70 dB;
- Šis prietaisas skirtas naudoti specialistui ar išmokytiems naudotojams dirbtuvėse, lengvojoje pramonėje ar ūkiuose arba komerciniam naudojimui nespecialistams.

## <HRVATSKI>

Tekst je izvorno napisan na engleskom jeziku. Tekst na ostalim jezicima predstavlja prijevod izvorno napisanog teksta.

### ▲ OPREZ

- Curenje rashladnog sredstva može uzrokovati gušenje. Osigurajte ventilaciju u skladu s normom HR EN378-1.
- Obavezno stavite izolaciju oko položenih cijevi. Izravni doticaj s golim cijevima može dovesti do opekлина ili smrzanja.
- Nikada ne stavljajte baterije u usta ni zbog kojeg razloga kako biste izbjegli slučajno gutanje.
- Gutanje baterija može prouzročiti gušenje i/ili trovanje.
- Postavite jedinicu na čvrstu strukturu kako biste izbjegli prebučan zvuk tijekom rada ili pojavu vibracija.
- Razina zvučnog tlaka A niža je od 70dB.
- Ovak uređaj mogu upotrebljavati stručnjaci ili osposobljeni korisnici u trgovinama, lakoj industriji i na poljoprivrednim gospodarstvima ili laici u komercijalne svrhe.

## <SRPSKI>

Prevod originala. Verzije na drugim jezicima su prevodi originala.

### ▲ OPREZ

- Curenje rashladne tečnosti može da dovede do gušenja. Obezbedite ventilaciju u skladu sa EN378-1.
- Obavezno obmotajte izolaciju oko cevi. Direktni kontakt sa golom cevju može izazvati opekotine ili promrzline.
- Nikada nemojte stavljati baterije u usta iz bilo kog razloga, kako bi se sprečilo slučajno gutanje.
- Gutanje baterija može da izazove gušenje i/ili trovanje.
- Ugradite jedinicu na čvrstu strukturu kako biste sprečili previše jak zvuk rada ili vibracije.
- A-ponderisani nivo jačine pritiska zvuka je ispod 70 dB.
- Ovak uređaj je namenjen za upotrebu od strane stručnjaka ili obučeni korisnika u prodavnicama, u lakoj industriji i na farmama ili za komercijalnu upotrebu od strane nekvalifikovanih lica.

Please be sure to put the contact address/telephone number on this manual before handing it to the customer.

**mitsubishi electric corporation**

HEAD OFFICE: TOKYO BUILDING, 2-7-3, MARUNOUCHI, CHIYODA-KU, TOKYO 100-8310, JAPAN

# Air to Water Heat Pump

## SUZ-SWM·VA(H) series

## SUZ-SHWM·VAH series

INSTALLATION MANUAL	FOR INSTALLER	English
INSTALLATIONSHANDBUCH	FÜR INSTALLATEURE	Deutsch
MANUEL D'INSTALLATION	POUR L'INSTALLATEUR	Français
INSTALLATIEHANDLEIDING	VOOR DE INSTALLATEUR	Nederlands
MANUAL DE INSTALACIÓN	PARA EL INSTALADOR	Español
MANUALE DI INSTALLAZIONE	PER L'INSTALLATORE	Italiano
ΕΓΧΕΙΡΙΔΙΟ ΟΔΗΓΙΩΝ ΕΓΚΑΤΑΣΤΑΣΗΣ	ΓΙΑ ΑΥΤΟΝ ΠΟΥ ΚΑΝΕΙ ΤΗΝ ΕΓΚΑΤΑΣΤΑΣΗ	Ελληνικά
MANUAL DE INSTALAÇÃO	PARA O INSTALADOR	Português
INSTALLATIONSMANUAL	TIL INSTALLATØREN	Dansk
INSTALLATIONSMANUAL	FÖR INSTALLATÖREN	Svenska
MONTAJ ELKİTABI	MONTÖR İÇİN	Türkçe
РУКОВОДСТВО ПО УСТАНОВКЕ	ДЛЯ УСТАНОВИТЕЛЯ	Русский
ПОСІБНИК З УСТАНОВЛЕННЯ	ДЛЯ СПЕЦІАЛІСТА З МОНТАЖУ	Українська
РЪКОВОДСТВО ЗА МОНТАЖ	ЗА МОНТАЖНИКА	Български
INSTRUKCJA MONTAŻU	DLA INSTALATORA	Polski
INSTALLASJONSHÅNDBOK	FOR MONTØR	Norsk
ASENNUSOPAS	ASENTAJALLE	Suomi
INSTALAČNÍ PŘÍRUČKA	PRO MONTÁŽNÍ PRACOVNÍKY	Čeština
NÁVOD NA INŠTALÁCIU	PRE MONTÉRA	Slovenčina
TELEPÍTÉSI KÉZIKÖNYV	A TELEPÍTŐ RÉSZÉRE	Magyar
NAMESTITVENI PRIROČNIK	ZA MONTERJA	Slovenščina
MANUAL DE INSTALARE	PENTRU INSTALATOR	Română
PAIGALDUSJUHEND	PAIGALDAJALE	Eesti
MONTĀŽAS ROKASGRĀMATA	UZSTĀDĪŠANAS SPECIĀLISTAM	Latviski
MONTAVIMO VADOVAS	SKIRTA MONTUOTOJUI	Lietuviškai
PRIRUČNIK ZA POSTAVLJANJE	ZA INSTALATERA	Hrvatski
UPUTSTVO ZA UGRADNJU	ZA MONTERA	Srpski

1. Ohutusnõuded	1	6. Elektritööd	9
2. Paigaldamise asukoha valimine	3	7. Hooldus	10
3. Paigaldamise joonis	5	8. Tööd veetorustikuga	11
4. Äravoolorud välisseadmele	5	9. Tühjaks pumpamine	13
5. Tööd külmaaine torustikuga	6	10. Tehnilised andmed	14



**Märkus:** Selle sümboli tähis kehtib ainult ELi riikides.

See sümbol vastab direktiivi 2012/19/EL artiklile 14, „Teave kasutajatele“, ja IX lisale.

See ettevõtte MITSUBISHI ELECTRIC toode on kujundatud ja valmistatud, kasutades kvaliteetseid materjale ja koostisosi, mis on ringlussevõetavad ja korduvkasutatavad.

See sümbol tähendab, et elektri- ja elektroonikaseadmed tuleb nende eluea lõppes kõrvaldada kasutuselt majapidamisjäätmetest eraldi.

Vabanega sellest seadmest õigesti oma kohalikus jäätmekogumis-/taaskasutuskeskuses.

Euroopa Liidus on elektri- ja elektroonikatoode jaoks kasutusel eraldi kogumissüsteemid.

Aidake hoida puhtana keskkonda, milles me elame!

## ⚠ ETTEVAATUST!

• Ärge laske R32-I atmosfääri sattuda:

## 1. Ohutusnõuded

- ▶ Enne seadme paigaldamist lugege kindlasti läbi jaotis „Ohutusnõuded“.
- ▶ Enne toitesüsteemiga ühendamist teavitage sellest energiavarustajat või hankige energiavarustaja nõusolek.

### ⚠ HOIATUS!

Kirjeldab abinõusid, mida tuleb järgida, et hoida ära kasutaja vigastuste või surma oht.

### ⚠ ETTEVAATUST!

Kirjeldab abinõusid, mida tuleb järgida, et hoida ära seadme kahjustamine.

Kui paigaldustööd on lõpetatud, selgitage kliendile seadme „Ohutusnõudeid“, kasutamist ja hooldust vastavalt kasutusjuhendis toodud teabele ning teostage kontrollkäivitus normaalse toimimise kinnitamiseks. Nii paigaldusjuhend kui ka kasutusjuhend tuleb kasutajale anda. Need juhendid tuleb anda edasi järgmistele kasutajatele.

⚠ : näitab osa, mis vajab maandust.

### ⚠ HOIATUS!

Lugege põhiseadme külge kinnitatud sildid hoolikalt läbi.

⚠ : Tähistab hoiatusi ja ettevaatusabinõusid R32 külmaaine kasutamisel.

## SISE- JA VÕI VÄLISSEADMEL KUVATAVATE SÜMBOLITE TÄHENDUSED

	<b>HOIATUS!</b> (Tuleohtlik)	See märk kehtib ainult R32 külmaainele. Külmaaine tüüp on kirjutatud välisseadme andmesildile. Juhul kui külmaaine tüüp on R32, kasutab seade kergestisüttivat külmaainet. Kui külmaaine seadmest välja lekib ja puutub kokku tule või küttekehaga, tekitab see kahjulikku gaasi ja tuleohtu.
	Enne kasutamist lugege KASUTUSJUHEND tähelepanelikult läbi.	
	Hoolduspersonal peab enne kasutamist KASUTUSJUHENDI ja PAIGALDUSJUHENDI põhjalikult läbi lugema.	
	KASUTUSJUHEND, PAIGALDUSJUHEND jne sisaldavad lisateavet.	

### ⚠ HOIATUS!

- Seadet ei tohi paigaldada kasutaja. Paluge seadme paigaldamist ja parandamist edasimüüjalt või volitatud tehnikult. Kui seade on valesti paigaldatud, võib see põhjustada veelekke, elektrilöögi või tulekahju.
- Paigaldustöödel ja asukoha muutmisel järgige paigaldusjuhendis antud juhiseid ning kasutage tööriistu ja torukomponente, mis on mõeldud spetsiaalselt kasutamiseks külmaainega R32. Kui kasutatakse torukomponente, mis ei ole mõeldud kasutamiseks külmaainega R32, ja seade ei ole õigesti paigaldatud, võivad torud lõhkeda ning põhjustada kahjustusi või vigastusi. Lisaks võivad tekkida lekked, elektrilöögid või tulekahju.
- Seade tuleb paigaldada vastavalt juhiste, et minimeerida maavärinast, orkaanist või tugevatest tuultest tulenevate kahjustuste oht. Valesti paigaldatud seade võib alla kukkuda ja põhjustada kahjustusi või vigastusi.
- Seade peab olema tugevalt kinnitatud struktuurile, mis selle kaalule vastu peab. Kui seade paigaldatakse ebastabiilsele pinnale, võib see kukkuda ning põhjustada kahjustusi või vigastusi.
- Kui õhk-vesi-soojuspump paigaldatakse väikesesse ruumi, peab võtma mõõdu, et hoida ära külmaaine kontsentreerumine toas ohutu piirmäära ületamise tõttu külmaaine lekke korral. Pidage edasimüüjaga nõu sobivate meetmete osas, et hoida ära lubatud kontsentratsiooni ületamine. Kui külmaaine lekib ja põhjustab kontsentratsiooni piirmäära ületamise, võib tulemuseks olla ruumi hapnikupuudusest tulenev oht.
- Kui külmaaine töötamise ajal lekib, õhutage ruum. Kui külmaaine puutub kokku leegiga, võivad vabaneda mürgised gaasid.

- Kõiki elektritööd peab teostama kvalifitseeritud tehnik vastavalt kohalikele eeskirjadele ning selles juhendis antud juhiste. Seadme toide peab toimuma mõõda spetsiaalset toiteliini, see peab olema õige pingega ja varustatud kaitselülititega. Ebapiisav võimsus või valed elektripaigaldustööd võivad tuua kaasa elektrilöögi või tulekahju.
- Kasutage külmaaine torude ühendamiseks C1220 fosforvaske ja vasesulamist õmblusteta torusid. Kui torusid õigesti ei ühendata, ei pruugi seade olla õigesti maandatud ja võib põhjustada elektrilöögi.
- Seade on mõeldud kasutamiseks asjatundjatele ja väljaõppe läbinud kasutajatele poodides, kergtööstuses ja taludes ning kommertskasutuseks tavaisikute poolt.
- Kasutage kaabelduseks ainult ettenähtud kaableid. Kaabelduse ühendused tuleb teha turvaliselt, ilma pingeta terminaliühendustel. Samuti ärge kunagi jätkake kaableid (kui selles dokumendis ei ole viidatud teisiti). Nende juhiste mittejärgimise tulemuseks võib olla ülekuumenemine või tulekahju.
- Kui toitejuhe on kahjustatud, peab tootja, hoolduspersonal või sarnase kvalifikatsiooniga isik selle ohu vältimiseks välja vahetama.
- Seade tuleb paigaldada riiklike elektripaigaldustööde eeskirjade kohaselt.
- Välisseadme terminaliploki katepaneel peab olema tugevalt kinnitatud. Kui katepaneel paigaldada valesti, tungivad seadmesse tolm ja niiskus ning see võib tuua kaasa elektrilöögi või tulekahju.

# 1. Ohutusnõuded

- Õhk-vesi soojustpumba paigaldamisel, ümberpaigutamisel või hooldamisel kasutage külmaainevoolukute täitmiseks ainult ettenähtud külmaainet (R32). Ärge segage seda teise külmaainega ja ärge laske õhul voolikutesse jääda. Kui õhk külmaainega seguneb, võib see külmaaine voolikus tekitada ebanormaalselt kõrge rõhu, mille tulemuseks võib olla plahvatus ja muud ohud. Ettenähtust erineva külmaaine kasutamine võib põhjustada süsteemis mehaanilise tõrke, talitlushäire või seadme rikke. Halvimal juhul ei ole seetõttu võimalik tagada toote ohutust.
  - Kasutage ainult ettevõtte Mitsubishi Electric poolt lubatud lisatarvikuid ja paluge edasimüüjal või volitatud tehnikul need paigaldada. Kui tarvikud on valesti paigaldatud, võib see põhjustada veelekke, elektrilöögi või tulekahju.
  - Ärge muutke seadet. Seadme muutmine võib põhjustada tulekahju, elektrilööki, vigastusi või veeleket.
  - Kasutaja ei tohi kunagi seadet ise parandada ega teise asukohta viia. Kui seade on valesti paigaldatud, võib see põhjustada veelekke, elektrilöögi või tulekahju. Kui õhk-vesi-soojustpump vajab remonti või ümberpaigutamist, pöörduge edasimüüja või volitatud tehniku poole.
  - Kui külmaaineahelas on leke, siis ÄRGE käivitage allapumpamist kompressoriga.
  - Külmaainet alla pumbates peatage kompressor enne külmaaine torude lahtiühendamist. Kompressor võib lõhkeda, kui sellesse pääseb õhk vmt.
  - Kui paigaldamine on lõpetatud, kontrollige külmaaine lekkimist. Kui külmaaine ruumi lekib ja puutub kokku kütteseadme leegiga või kaasaskantava pliidiga, vabanevad mürgised gaasid.
  - Ärge kasutage sulatamisprotsessi kiirendamiseks ega puhastamiseks muid meetodeid peale nende, mida on tootja soovitanud.
  - Seadet tuleb hoida ruumis, kus ei ole pidevalt töötavaid süüteallikaid (nt avatud leegid, töötav gaasipõleti või elektriradiaator).
- Ärge torgake ega põletage.
  - Arvestage, et külmaaine ei pruugi sisaldada lõhnaainet.
  - Torustik peaks olema kaitstud füüsiliste vigastuste eest.
  - Torustiku paigaldus tuleks hoida miinimumi lähedal.
  - Jälgida tuleb vastavust riiklikele gaasieskirjadele.
  - Hoidke vajalikud tuulutavad takistused puhtana.
  - Ärge kasutage külmaaine torude jootmiseks madala temperatuuriga jootesulamit.
  - Jootmisel õhutage ruumi piisavalt.
  - Veenduge, et läheduses ei oleks ohtlikke või kergesti süttivaid materjale. Teostades töid kinnises ruumis, väikeses ruumis või muus sarnases asukohas, veenduge enne töö teostamist, et külmaainet ei leki. Kui külmaaine lekib ja koguneb, võib see süttida või vabanevad mürgised gaasid.
  - Seadet tuleb hoida hea ventilatsiooniga alal, kus ruumi suurus vastab töötamise jaoks ettenähtud ruumi alale.
  - Hoidke gaasipõletiga seadmed, elektrilised kütteseadmed ja muud tuleallikad (süüteallikad) eemal aladest, kus tehakse paigaldus-, remont- ja teisi õhksoojustpumba juures vajaminevaid töid. Kui külmaaine puutub kokku leegiga, võivad vabaneda mürgised gaasid.
  - Töö ja transportimise ajal ärge suitsetage.
  - Ärge lisage külmaainet rohkem kui maksimaalne kogus iga välisseadme kohta. Kui külmaaine ületab maksimaalse koguse, võib see lekkimisel põhjustada tulekahju.

## 1.1. Enne paigaldamist

### ETTEVAATUST!

- Ärge kasutage seadet ebatavalises keskkonnas. Kui õhk-vesi-soojustpump on paigaldatud piirkonda, kuhu satub aur, lenduv õli (sh masinaõli) või väävliühenditega gaas, või piirkonda, kus on kõrge soolasisaldus, näiteks mere lähedusse, või kohta, kus seade jääb lume alla, võib töövõime märkimisväärselt väheneda ja sisemised osad võivad saada kahjustusi.
  - Ärge paigaldage seadet sinna, kus on süttivate gaaside lekkimise, tekke, voolamise või kogunemise oht. Kui seadme ümber koguneb süttiv gaas, võib tulemuseks olla tulekahju või plahvatus.
- Välisseade tekitab soojendamise ajal kondensaati. Veenduge, et välisseadme ümbrusesse on paigaldatud äravool, kui säärane kondensaat võib kahjustusi põhjustada.
  - Kui seade paigaldatakse haiglas või sidetehnikaga büroosse, olge valmis müra ja elektrooniliseks häireteks. Inverterid, kodumasinad, kõrgsageduslikud meditsiiniseadmed ja raadiosideseadmed võivad põhjustada õhk-vesi-soojustpumba väärtalitluse või katkimineku. Õhk-vesi-soojustpump võib mõjutada ka meditsiiniseadmeid, segades ravi, ning sideseadmeid, kahjustades ekraanipildi kvaliteeti.

## 1.2. Enne paigaldamist (asukoha muutmist)

### ETTEVAATUST!

- Olge seadmeid transportides ja paigaldades väga ettevaatlik. Seadme tõstmiseks on tarvis kahte või enam inimest, sest see kaalub 20 kg või üle selle. Ärge haarake pakendi nööridest. Kandke seadme eemaldamisel pakendist ja selle teisaldamisel kaitsekindaid, sest labade või muude osade servad võivad teie käsi vigastada.
  - Kõrvaldage pakkematerjalid ohutult. Pakkematerjalid, näiteks naelad ja muud metall- või puitosad võivad tekitada torkehaavu või teisi vigastusi.
- Välisseadme alust ja kinnitusi tuleb regulaarselt kontrollida, et need poleks lahti, pragunenud või muul viisil kahjustatud. Kui sellised defektid parandamata jätta, võib seade alla kukkuda ning põhjustada kahjustusi või vigastusi.
  - Ärge puhastage õhk-vesi-soojustpumba veega. Tagajärjeks võib olla elektrilööki.
  - Pingutage kõik laiendusmutrid dünamomeetrilise võtmega vastavalt nõuetele. Liiga tugeva pingutamise tagajärjel võib laiendusmutter pärast pikemat perioodi puruneda ning külmaaine võib välja lekkida.

## 1.3. Enne elektritöid

### ETTEVAATUST!

- Paigaldage kindlasti rikkevoolukaitseüliliidid. Kui need ei ole paigaldatud, võib see põhjustada elektrilöögi.
  - Elektrijuhtmete jaoks kasutage piisava võimsusega standardseid kaableid. Vastasel juhul võib tulemuseks olla lühis, ülekuumenemine või tulekahju.
  - Elektrijuhtmeid paigaldades ärge tõmmake kaableid pingule. Kui kinnitused lõdvenevad, võivad kaablid katkeda või puruneda ning see võib tuua kaasa ülekuumenemise või tulekahju.
- Maandage seade kindlasti. Ärge ühendage maandusjuhet gaasitoru, veetoru, piksevarda ega telefoni maandusjuhtme külge. Kui seade ei ole õigesti maandatud, võib see põhjustada elektrilöögi.
  - Kasutage rikkevoolukaitseüliliiteid (lekkevoolukaitse, voolukatkesti (+B kaitse) ja vormitud korpusega automaatkorgid), millel on vajalik võimsus. Kui rikkevoolukaitseüliliiti võimsus on näidatust suurem, võib see põhjustada rikkimineku või tulekahju.

# 1. Ohutusnõuded

## 1.4. Enne kontrollkäivituse alustamist

### ⚠ ETTEVAATUST!

- Lülitage toitesüsteemi pealüliti sisse rohkem kui 12 tundi enne seadme töölepanekut. Kui seade tööle panna kohe pärast toitesüsteemi sisselülitamist, võib see sisemistele osadele tõsiseid kahjustusi tekitada. Hoidke toite pealüliti tööhooajal sisse lülitatuna.
- Enne töölepanekut kontrollige, et kõik paneelid, katted ja teised kaitsvad osad on õigesti paigaldatud. Pöörlevad, kuumad või kõrgepinge all olevad osad võivad tekitada vigastusi.

- Ärge puudutage lüliteid märgade kätega. Tagajärjeks võib olla elektrilöök.
- Ärge puudutage töötamise ajal külmaaine torusid paljaste kätega. Külmaaine torud on kas külmad või kuumad, sõltuvalt voolava külmaaine seisundist. Torusid puudutades võite saada põletuse või külmakahjustuse.
- Pärast seadme peatamist oodake vähemalt viis minutit enne kui toitesüsteemi pealüliti välja lülitate. Tulemuseks võib olla veeleke või rikkimine.

## 1.5. R32 külmaainega õhk-vesi-soojuspumba kasutamine

### ⚠ ETTEVAATUST!

- Kasutage külmaaine torude ühendamiseks vase korral C1220 fosforvaske ja vasesulamist õmblusteta torusid. Veenduge, et torude sisemus on puhas ja need ei sisalda kahjulikke saasteaineid, näiteks vävliühendeid, oksüdante, prahti või tolmu. Kasutage õige paksusega torusid. (Vt 4.1.) Kui kasutate olemasolevaid R22 külmaaine torusid, arvestage järgneva.
  - Vahetage olemasolevad laiendusmutrid välja ning laiendage laiendatud osi uuesti.
  - Ärge kasutage õhukeseseinalisi torusid. (Vt 4.1.)
- Hoidke kasutatavaid torusid paigaldamise ajal sisetingimustes ning hoidke mõlemad toru otsad kuni jootamiseni kinni. (Jätke torupõlvjed jms pakendisse.) Kui külmaaine torudesse satub tolmu, mustust või niiskust, võib see põhjustada õli saastumise ja kompressori rikke.
- Kasutage laiendatud osadele kantava jahutusõlina esterõli, eeterõli või alküülbenseenõli (väikeses koguses). Kui jahutusõlisse segatakse mineraalõli, põhjustab see õli saastumise.

- Hooldust peaks tegema ainult tootja soovitatud viisil.
- Ärge kasutage ühtki teist külmaainet peale R32. Muu külmaaine kasutamise korral kahjustab kloor õli.
- Kasutage järgmisi tööriistu, mis on mõeldud just R32 külmaainega kasutamiseks. R32 külmaainega töötamisel on vajalikud järgmised tööriistad. Küsimuste korral võtke ühendust lähima edasimüüjaga.

Tööriistad (R32 jaoks)	
Kollektormöödik	Laiendustööriist
Täitevoolik	Reguleerimismöödik
Gaasilekke detektor	Vaakumpumba adapter
Dünamomeetiline võti	Elektrooniline külmaaine laadimiskaala

- Kasutage kindlasti õigeid tööriistu. Kui külmaaine torudesse satub tolmu, mustust või niiskust, võib see põhjustada õli saastumise.

## 2. Paigaldamise asukoha valimine

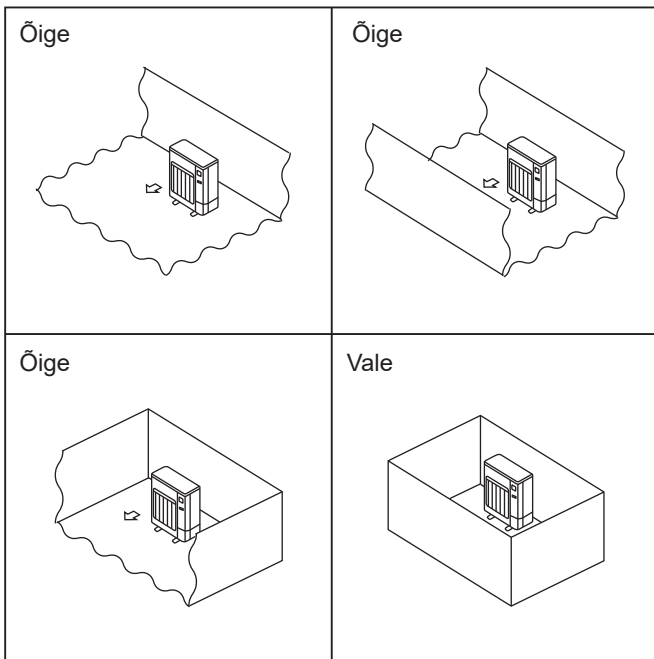


Fig. 2-1

### 2.1. Välisseade

- R32 on raskem kui õhk ja muud külmaained, nii et see kipub allapoole kogunema (põranda lähedusse). Kui R32 koguneb alumisse piirkonda, võib see väikese ruumi korral jõuda kergesti süttiva kontsentratsioonini. Süttimise vältimiseks tuleb piisava ventilatsiooniga tagada ohutu töökeskkonna säilimine. Kui külmaaine leke on kinnitatud ruumis või piirkonnas, kus on ebapiisav ventilatsioon, hoiduge leekide kasutamisest, kuni töökeskkonda saab parandada selliselt, et piisav ventilatsioon on tagatud.
- Kohad, kus see ei puutu kokku tugeva tuulega.
- Kohad, kus õhuvool on hea ja tolmuvaba.
- Kus see ei põhjusta lühikest õhutsüklit.
- Kohad, kus naabreid ei häiri töötamise heli või kuum õhk.
- Kohad, kus on olemas jäik sein või muu tugi, mis hoiab ära töötamise heli või vibratsiooni suurenemise.
- Kohad, kus ei ole kergesti süttiva gaasi lekkimise ohtu.
- Kui paigaldate seadme kõrgele, kinnitage kindlasti seadme jalad.
- Kohad, kus see on vähemal 3 m kaugusel teleri või raadio antennist. (Vastasel korral võib pilt olla häiritud või esineda müra.)
- Paigaldage see alale, mida ei mõjuta lumesadu ega tuisk. Tugeva lumesajuga piirkondades paigaldage varikatus, jalad ja/või mõned varjeplaadid.
- Paigaldage seade horisontaalselt.
- Külmaainetorude ühendused peavad olema hooldustöödeks juurdepääsetavad.
- Paigaldage välisseadmed kohta, kus vähemalt üks neljast küljest on avatud ja piisavalt avaras kohas, mis ei ole nõgus. (Fig. 2-1)

### ⚠ ETTEVAATUST!

Vältige paigaldamisel järgmiseid asukohti, kus õhk-vesi soojuspumbaga võib esineda probleeme.

- Kohad, kus on palju masinaõli
- Soolane keskkond, nt mereäärsed alad
- Kuumaveeallikatega alad
- Kus esineb sulfiidgaasi
- Muud eriliste atmosfääritingimustega alad

Välisseade tekitab soojendamise ajal kondensaati. Valige paigalduskoht selliselt, et välisseade ja/või maendus ei saaks äravooluvee tõttu märjaks ega kahjustuks külmunud äravooluvee tõttu.

## 2. Paigaldamise asukohta valimine

### 2.2. Paigaldamiskoha minimaalne pindala

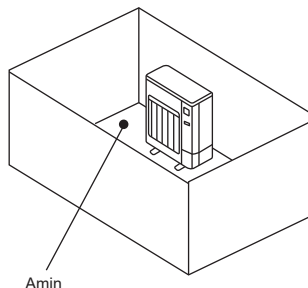
Kui peate seadme paigaldama piirkonda, kus kõik neli külge on blokeeritud või on piirkond vajunud, tehke kindlaks, et üks neist olukordadest (A, B või C) on tagatud.

**Märkus: need vastumeetmed on ohutuse tagamiseks, mitte spetsifikatsiooni garantiiks.**

A) Tagage piisav paigaldusruum (minimaalne paigalduspiirkond Amin).

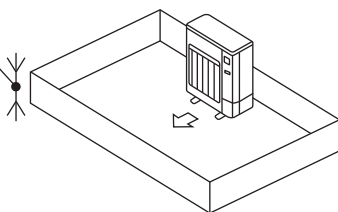
Paigaldage alale, mille paigalduspiirkond on Amin või rohkem, vastavalt külmaaine kogusele M (tehases lisatud külmaaine + kohapeal lisatud külmaaine).

M [kg]	Amin [m <sup>2</sup> ]
1,0	12
1,5	17
2,0	23
2,5	28
3,0	34
3,5	39
4,0	45
4,5	50
5,0	56
5,5	62
6,0	67
6,5	73
7,0	78
7,5	84

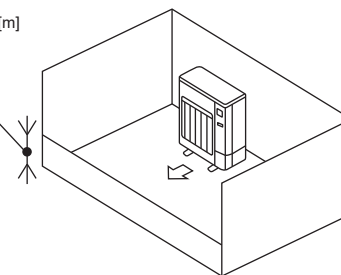


B) Paigaldage alale, mille vajumise kõrgus on  $\leq 0,125$  [m].

Kõrgus põhjast 0,125 [m]  
või vähem



Kõrgus põhjast 0,125 [m]  
või vähem

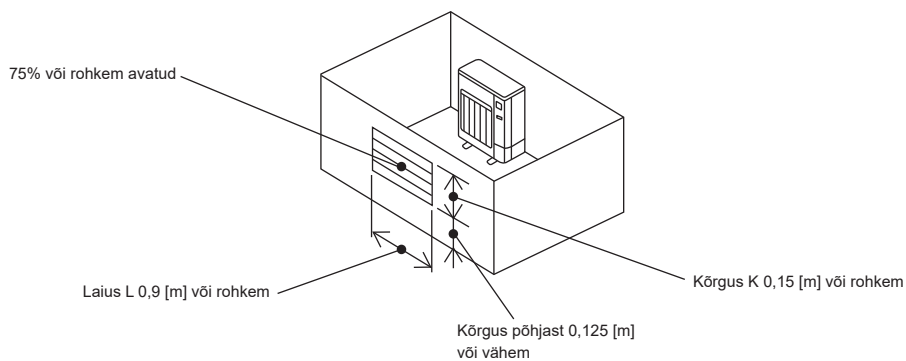


C) Looge sobiva ventilatsiooniga avatud piirkond.

Veenduge, et avatud piirkonna laius on 0,9 [m] või rohkem ja avatud piirkonna kõrgus on 0,15 [m] või rohkem.

Kõrgus paigalduskoha põhjast avatud piirkonna alumise servani peaks aga olema 0,125 [m] või vähem.

Avatud piirkond peaks olema avatud 75% ulatuses või rohkem.



**Märkus: Siseseadme puhul pole R32 külmaaine kasutamise tõttu mingeid paigalduspiiranguid.  
Vaadake siseseadme paigaldusjuhendit ja kontrollige nõutavat paigaldusala.**



### 3. Paigaldamise joonis

#### 3.1. Välisseade (Fig. 3-1)

##### Ventilatsioon ja hooldusruum

- Ⓐ 100 mm või rohkem
- Ⓑ 350 mm või rohkem
- Ⓒ 500 mm või rohkem

Kui torud tuleb kinnitada metalli (tinatatud) või metallvõrku sisaldavale seinale, kasutage seina ja torude vahel 20 mm paksust või paksemat keemiliselt töödeldud puutükki või mähkige isolatsiooniks ümber torude 7–8 kihti vinüülteipi.

Seadmed peab paigaldama litsentseeritud töövõtja kooskõlas kohalike regulatsioonidega.

- SUZ-SWM80VA2, SUZ-SWM80VAH2, SUZ-SWM100VA, SUZ-SWM100VAH, SUZ-SHWM60VAH

##### Märkus:

Kasutades õhk-vesi soojuspumpa madala välistemperatuuriga, järgige kindlasti allpool kirjeldatud juhiseid.

- Ärge paigaldage välisseadet mitte kunagi kohta, kus selle õhu sissevõtu/ väljalaske külg võib olla tuulele avatud.
- Tuule vältimiseks paigaldage välisseade nii, et õhu sissevõtu külg oleks suunatud seina poole.
- Tuule vältimiseks soovitatakse välisseadme õhu väljalaskepoolele küljele paigaldada varjeplaadid.

- SUZ-SWM30VA, SUZ-SWM40VA2, SUZ-SWM60VA2, SUZ-SHWM30VAH, SUZ-SHWM40VAH

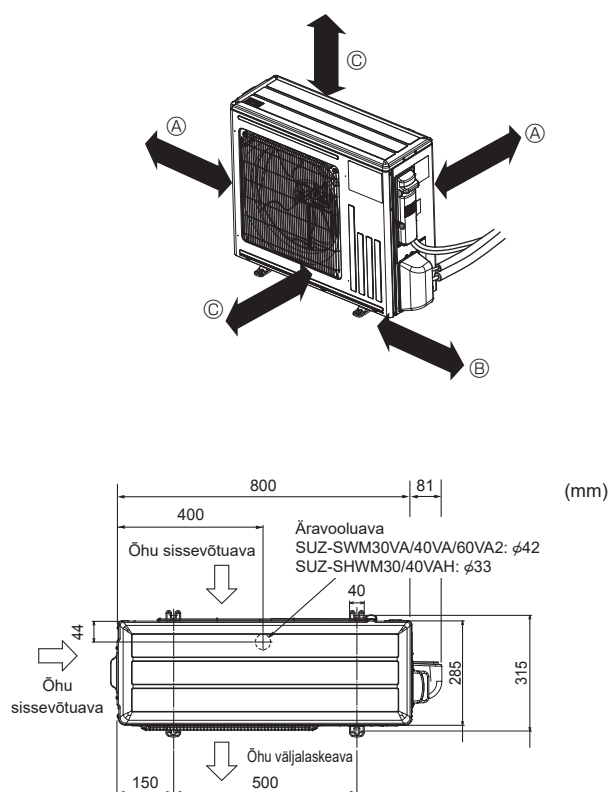
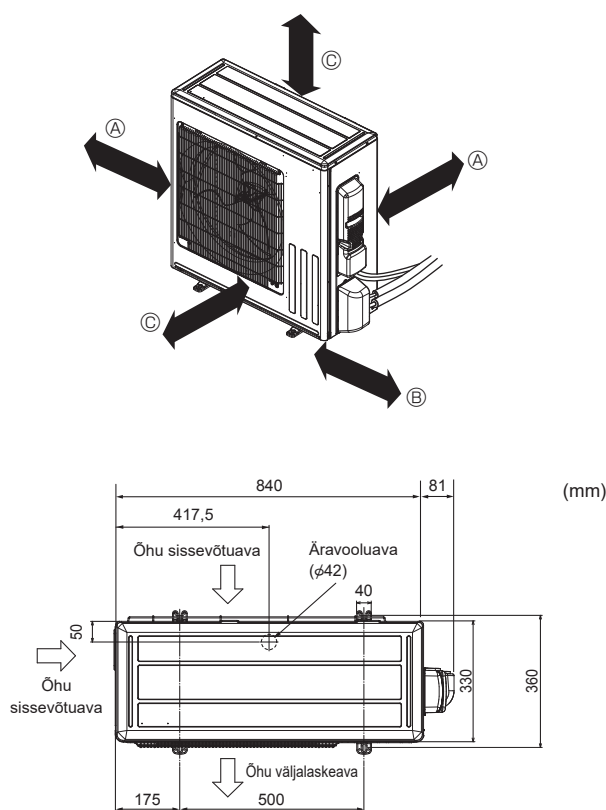


Fig. 3-1

### 4. Äravoolutorud välisseadmele (Fig. 4-1)

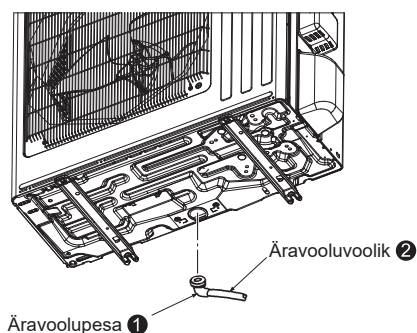


Fig. 4-1

#### 4.1. Tarvikud

Enne paigaldamist kontrollige järgmisi osi.

<Välisseade>

①	Äravoolupesas	1
---	---------------	---

- Paigutage äravoolutorud enne sise- ja välisseadme toruühendust. (Äravoolupesas ① on raske paigaldada, kui sise- ja välisitorude ühendus tehakse enne äravoolutorustiku paigaldamist, kui välisseade muutub immobiilseks.)
- Ühendage äravooluvoolik ② (saadaval poes, sisemine läbimõõt: 15 mm), nagu on äravoolu kujutaval joonisel näidatud.
- Veenduge, et äravoolutorud oleksid suunatud äravoolu lihtsustamiseks allapoole.

##### Märkus:

Ärge kasutage äravoolupesas ① külma kliimaga piirkonnas. Äravool võib külmuda ja see sunnib ventilatori peatuma. SHWM-seeria komplekti ei kuulu äravoolupesas.

## 5. Tööd külmaaine torustikuga

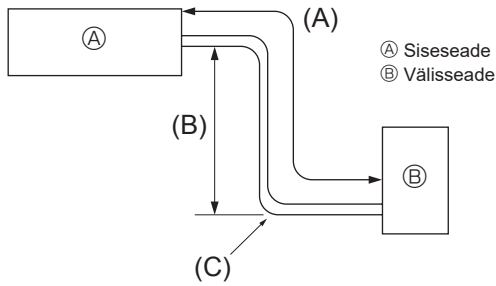


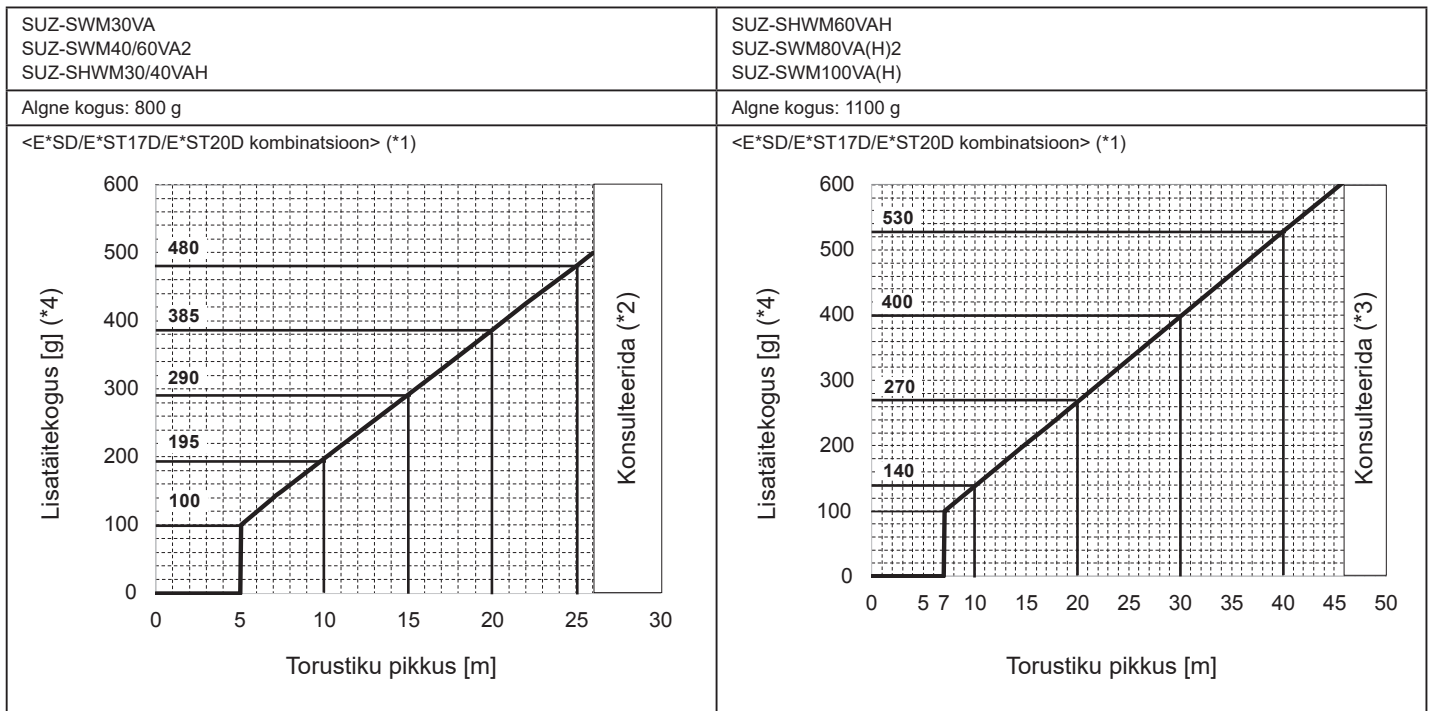
Fig. 5-1

### 5.1. Külmaainetoru (Fig. 5-1)

► Kontrollige, et sise- ja välisseadmete kõrguste vahe, külmaaine toru pikkus ja torukäänakute arv jääksid alltoodud piiridesse.

Mudelid	(A) Toru pikkus (üks suund)	(B) Kõrguste vahe	(C) Käänakute arv (üks suund)
SUZ-SWM30VA	2 m - 26 m	Max 26 m	Max 10
SUZ-SHWM30VAH			
SUZ-SWM40VA2			
SUZ-SHWM40VAH			
SUZ-SWM60VA2	2 m - 46 m	Max 30 m	
SUZ-SHWM60VAH			
SUZ-SWM80VA(H)2			
SUZ-SWM100VA(H)			

• Kõrguste vahe piirid on siduvad, olenemata sellest, kumb seade (sisemine või välimine) asetseb kõrgemal.



\*1. E\*ST30D ühendamisel tuleb ALATI lisada 50 g graafikute kohasele lisatäitekogusele täiendavalt.

\*2. Üle 26 m torustiku pikkuse puhul konsulteerige palun meie spetsialistiga.

\*3. Üle 46 m torustiku pikkuse puhul konsulteerige palun meie spetsialistiga.

\*4. Täieliku uuesti laadimise korral; algne + lisatäitekogus

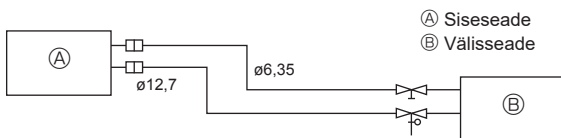


Fig. 5-2

(1) Järgnevas tabelis on toodud kaubanduses saadavate torude andmed. (Fig. 5-2)

Mudel	Toru	Väline läbimõõt		Min seina paksus	Isolatsiooni paksus	Isolatsiooni materjal
		mm	toll			
Kõik mudelid	Vedelikule	6,35	1/4	0,8 mm	8 mm	Kuumakindel vahtplast erikaaluga 0,045
	Gaasile	12,7	1/2	0,8 mm	8 mm	

(2) Veenduge, et 2 külmaainetoru oleks kondensaadi tekkimise vältimiseks hästi isoleeritud.

(3) Külmaainetoru paindumusraadius peab olema 100 mm või üle selle.

### ⚠ ETTEVAATUST!

Ettenähtud paksusega isolatsiooni hoolikas kasutamine. Liigne paksus takistab siseseadme taha hoiustamist ja väiksem paksus toob kaasa kondensaadi tilkumise.

- Süttimise vältimiseks veenduge piisava ventilatsiooni olemasolus. Lisaks võtke kasutusele tulekahju vältimise meetmed, kontrollides, et ümbritseval alal ei oleks ohtlikke ega kergesti süttivaid esemeid.
- R32 lisamine hoolduse käigus: Enne hooldust seadmestikku R32 lisades tuleb tagada, et puuduks elektrisädemetest tingitud plahvatusrisk. Veenduge, et seadmestik on 100% toitevõrgust lahutatud.
- Isolatsioonimaterjal peab vastama järgmistele tehnilistele andmetele.
  - (1) Soojusülekanne määr: 0,040 W/mK või vähem
  - (2) Isolatsiooni paksus: 9 mm või rohkem
  - (3) Soojustaluvus: 110 °C või rohkem
 Kui torustiku pikkus väljas on üle 15 m, peab isolatsiooni paksus olema vähemalt 18 mm.

## 5. Tööd külmaaine torustikuga

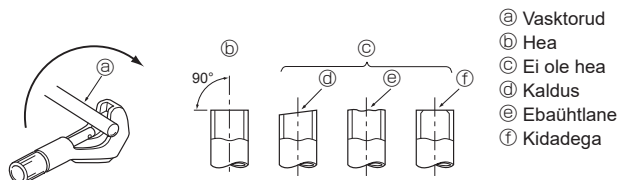


Fig. 5-3

- Ⓐ Vasktorud
- Ⓑ Hea
- Ⓒ Ei ole hea
- Ⓓ Kaldus
- Ⓔ Ebaühtlane
- Ⓕ Kidadega

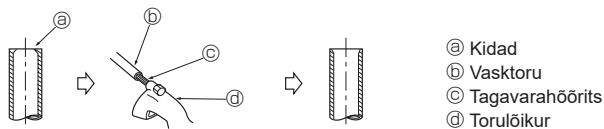


Fig. 5-4

- Ⓐ Kidad
- Ⓑ Vasktoru
- Ⓒ Tagavarahöõrits
- Ⓓ Torulõikur

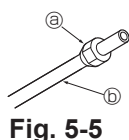


Fig. 5-5

- Ⓐ Laiendusmutter
- Ⓑ Vasktoru

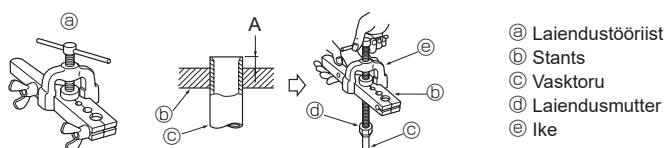


Fig. 5-6

- Ⓐ Laiendusööriist
- Ⓑ Stants
- Ⓒ Vasktoru
- Ⓓ Laiendusmutter
- Ⓔ Ike

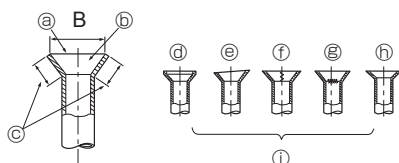


Fig. 5-7

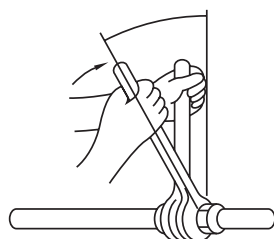


Fig. 5-8

### 5.2. Laiendustöö

- Gaasilekke peamine põhjus on laiendustööl tehtud viga. Korrektse laiendustöö jaoks tegutsege järgmiselt.

#### 5.2.1. Toru lõikamine (Fig. 5-3)

- Lõigake torulõikuriga vasktoru õigesse suurusesse.

#### 5.2.2. Kidade eemaldamine (Fig. 5-4)

- Eemaldage lõigatud toru ristlõikelt täielikult kõik kidad.
- Ebatahasasi eemaldades suunake vasktoru ots allapoole, et vältida lahti tulnud kidade kukkumist torudesse.

#### 5.2.3. Mutri kinnitamine (Fig. 5-5)

- Eemaldage sise- ja välisseadme külge kinnitatud laiendusmutrid, seejärel pange nad torule, millele on kidad eemaldatud.
- (Pärast laiendustöid ei ole neid võimalik peale panna)

#### 5.2.4. Laiendustöö (Fig. 5-6)

- Teostage laiendustöö, kasutades vasakul näidatud laiendustööriista.

Toru diameeter (mm)	Mõõtmed	
	A (mm)	B <sup>+0</sup> <sub>-0,4</sub> (mm)
	Kui kasutatakse R32 jaoks ettenähtud tööriista	
	Liigendi tüüp	
6,35	0–0,5	9,1
9,52	0–0,5	13,2
12,7	0–0,5	16,6
15,88	0–0,5	19,7

Hoidke vasktoru tugevalt eeltoodud tabelis näidatud mõodus stantsis.

#### 5.2.5. Kontrollige (Fig. 5-7)

- Võrrelge laiendustööd vasakul asuva joonisega.
- Kui laiendus on vigane, lõigake laiendatud osa ära ja tehke laiendustöö uuesti.

- Ⓐ Üleni sile
- Ⓑ Sisemus on läikiv, ilma kriimustusteta
- Ⓒ Ühtlane kogu pikkuses
- Ⓓ Liiga palju
- Ⓔ Kaldus
- Ⓕ Kriimustus laiendatud pinnal
- Ⓖ Mõranenud
- Ⓗ Ebatasane
- Ⓖ Halvad näited

- Kandke toru ühenduskohale õhuke kiht jahutusõli. (Fig. 5-8)
- Ühendamiseks joondage esmalt keskosa, seejärel pingutage laiendusmutrit esimesed 3 kuni 4 pööret.
- Kasutage ülaltoodud pingutusmomentide tabelit siseseadme külgmise komponendi ühendusosa puhul suunisena ning kasutage pingutamiseks kahte mutrivõtit. Üleliigne pingutamine kahjustab laiendusosa.

Vasktoru O.D. (mm)	Laiendusmutri O.D. (mm)	Pingutusmoment (N·m)
ø6,35	17	14–18
ø9,52	22	34–42
ø12,7	26	49–61
ø15,88	29	68–82

### ! HOIATUS!

Seadet paigaldades kinnitage külmaaine torud tugevalt enne kompressori käivitamist.

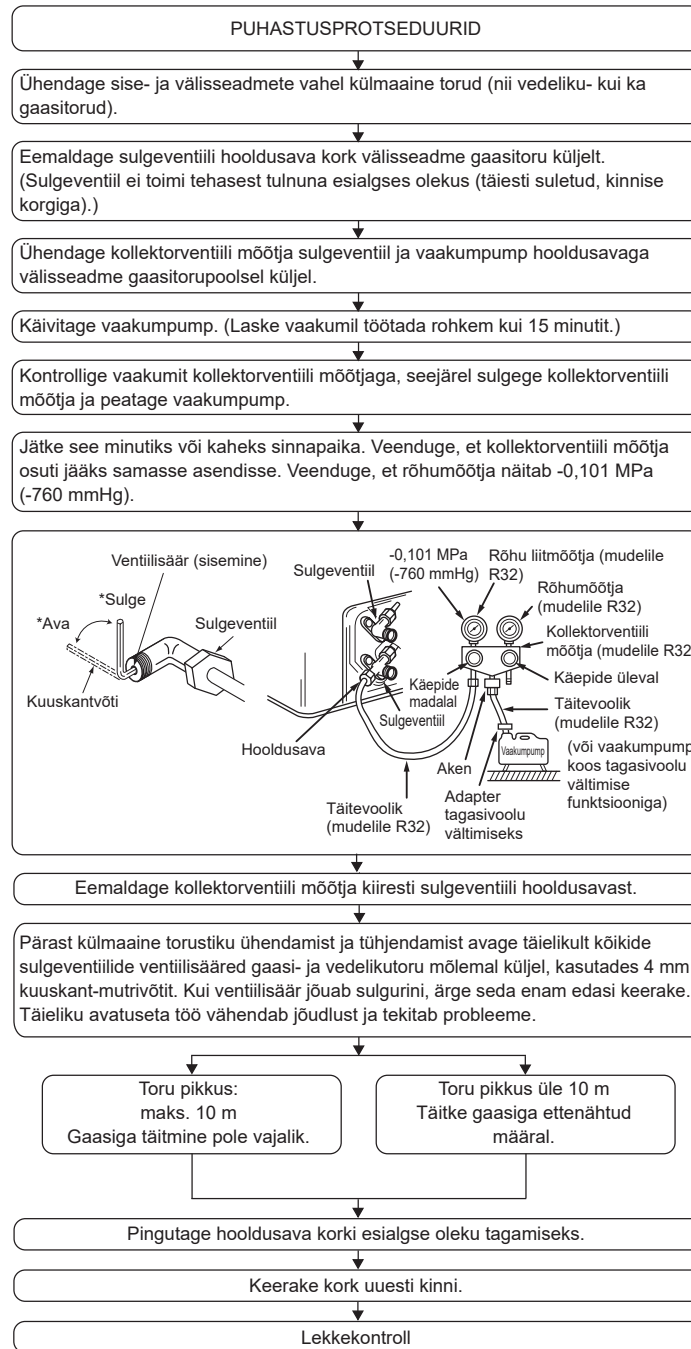
### ! HOIATUS!

Olge eemale lendava laiendusmutri suhtes ettevaatlik! (Sisemise rõhu all) Eemaldage laiendusmutter järgmiselt.

1. Lõdvendage mutrit, kuni kuulete sisisevat heli.
2. Ärge eemaldage mutrit, kuni gaas on täielikult vabastatud (st sisisev heli lõpeb).
3. Kontrollige, et gaas oleks täielikult välja lastud ja seejärel eemaldage mutter.

## 5. Tööd külmaaine torustikuga

### 5.3. Puhastusprotseduurid ja lekkek kontroll



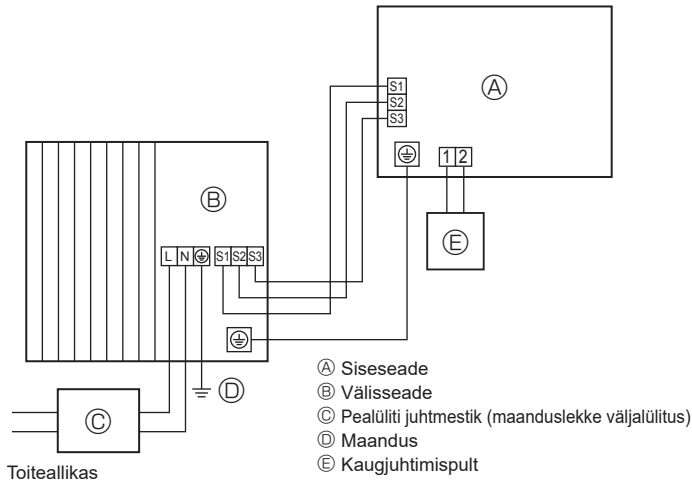
## 6. Elektritööd

### 6.1. Välisseade (Fig. 6-1, Fig. 6-2, Fig. 6-3)

① Eemaldage hoolduspaneel.

② Paigaldage juhtmed vastavalt Fig. 6-1, 6-2 ja 6-3.

#### ■ SUZ-SHWM60VAH, SUZ-SWM80VA(H)2, SUZ-SWM100VA(H)



#### ■ SUZ-SHWM30/40VAH, SUZ-SWM30VA, SUZ-SWM40/60VA2

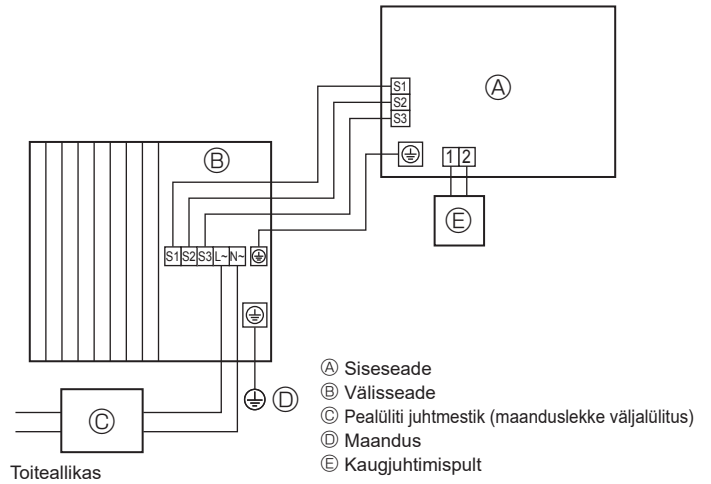


Fig. 6-1

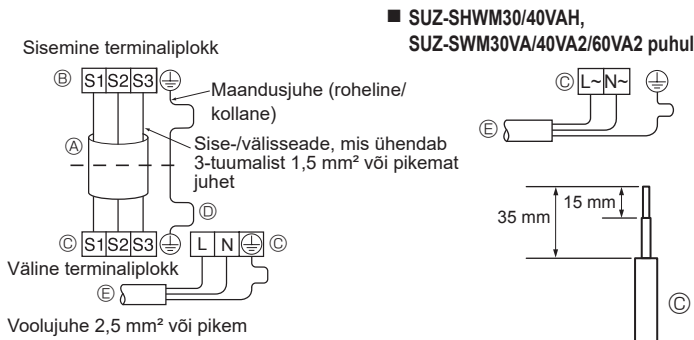
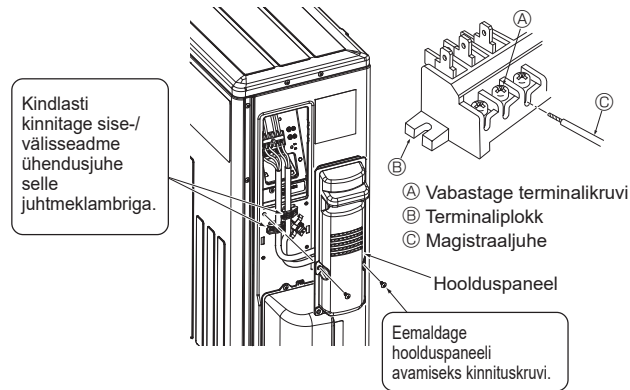


Fig. 6-2

#### ■ SUZ-SWM30VA, SUZ-SWM40VA2, SUZ-SWM60VA2, SUZ-SHWM30VAH, SUZ-SHWM40VAH



#### ■ SUZ-SWM80VA2, SUZ-SWM100VA, SUZ-SWM80VAH2, SUZ-SWM100VAH, SUZ-SHWM60VAH

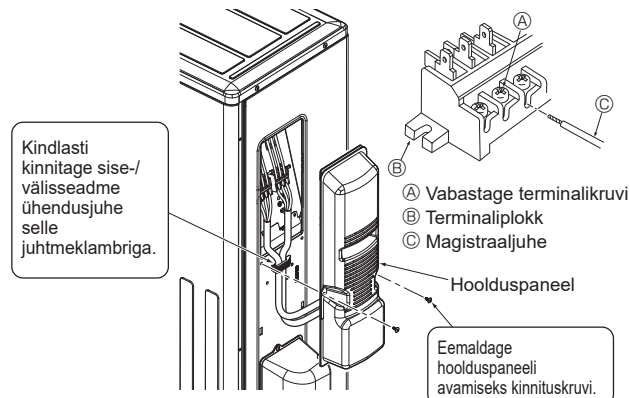


Fig. 6-3

• Paigaldage juhtmestik alumise vasakpoolse joonise järgi. (Paigaldage kaabel) (Fig. 6-2)

Kasutage kindlasti ainult õige polaarsusega kaableid.

- A Kinnituskaabel
- B Sisemine terminaliplokk
- C Väline terminaliplokk
- D Paigaldatud maandusjuhe peab alati olema teistest juhtmetest pikem.
- E Toitejuhe
- F Magistraaljuhe

- Tehke maandusjuhe teistest veidi pikem. (Üle 100 mm)
- Edaspidise hoolduse tarbeks andke ühendusjuhtmetele lisapikkust.
- Pikendusjuhet ja/või juhet terminaliploki külge kinnitades paigutage iga kruvi kindlasti sellele vastava terminali külge.

- Ühendage siseseadme juhe terminaliplokkiga õigesti.
- Kasutage siseseadmega sama terminaliploki ja polaarsust.
- Seoses järelhooldusega jätke ühenduskaabel vajaduse korral pikemaks.

- Mõlemad ühenduskaabli otsad (pikendusjuhe) tuleb koorida. Kui liiga pikk või ühendatud keskelt ära lõigates, koorige toitekaabel vastavalt joonisel näidatud pikkuses.
- Olge ettevaatlik, et te ei ühendaks kaableid torustikuga.

### ⚠ ETTEVAATUST!

- Olge ettevaatlik, et te ei ühendaks omavahel valesid juhtmeid.
- Keerake terminalikruvid tugevalt kinni, et need lahti ei tuleks.
- Pärast pingutamist tõmmake kergelt juhtmeid, et need ei liiguks.

### ⚠ HOIATUS!

- Kinnitage välisseadme hoolduspaneel kindlalt. Vale kinnitamise korral võib tolmu, vee jms tulemusel aset leida süttimine või elektrilööök.
- Kinnitage terminalikruvid korralikult.
- Juhtmed tuleb paigaldada viisil, et ei esineks mingisugust pinget. Vastasel juhul võib tekkida kuumenemine või tulekahju.

## 6. Elekritööd

### 6.2. Elektri väljajuhe

Välisseadme mudel	SUZ-SHWM30VAH/40VAH SUZ-SWM30VA/40VA2/60VA2	SUZ-SHWM60VAH SUZ-SWM80VA(H)2/SWM100VA(H)
Välisseadme toide	~N (üksik), 50 Hz, 230 V	~N (üksik), 50 Hz, 230 V
Välisseadme sisendvõimsuse põhilüliti (kaitselüliti) *1	16 A	20 A
Kaabelduse juhe nr × suurus (mm <sup>2</sup> )	Välisseadme toide	2 × Min 2,5
	Välisseadme toide ja maandus	1 × Min 2,5
	Siseseade-välisseade	3 × 1,5 (polaarne)
Ahela reiting	Siseseadme-välisseadme maandus	1 × Min 1,5
	Välisseade L-N *2	230 V vahelduvvool
	Siseseade-välisseade S1-S2 *2	230 V vahelduvvool
Siseseade-välisseade S2-S3 *2	12 V alalisvool – 24 V alalisvool	12 V alalisvool – 24 V alalisvool

\*1. Kasutama peab kaitselüliti, millel on vähemalt 3 mm ühenduse eraldus igal poolusel. Kasutage rikkevoolukaitselüliti (NV).

Veenduge, et rikkevoolukaitselüliti ühildub kõrgemate harmooniliste kiirgustega.

Kasutage kindlasti rikkevoolukaitselüliti, mis ühildub kõrgemate harmooniliste kiirgustega, sest seade on varustatud inverteriga.

Ebapiisava kaitselüliti kasutamine võib põhjustada häireid inverteri töös.

\*2. Joonised EI ole alati maanduse vastu.

S3 terminalil on 24 V vahelduvvool S2 terminali vastu. S3 ja S1 vahel EI OLE need terminalid aga muunduri- või muu seadme poolse elektrisolatsiooniga.

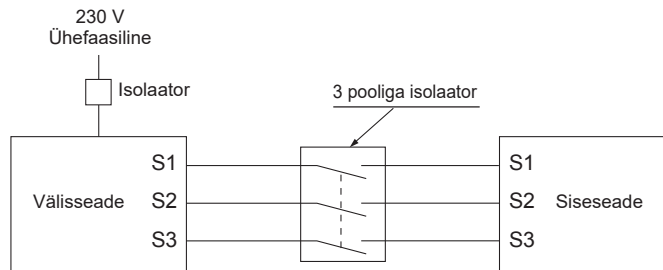
**Märkused:** 1. Juhtmed peavad vastama asjakohastele kohalikele ja riiklikele eeskirjadele.

2. Toitejuhtmed ja sise-/välisseadme ühendusjuhtmed ei tohiks olla kergemad kui polükloropreenkestaga painduvad juhtmed. (Projekt 60245 IEC 57)

3. Paigaldage maandus teistest juhtmetest pikem.

4. Kasutage toitesüsteemis isekustuvaid jaotuskaableid.

5. Juhtige kaablid õigesti, et nad ei puutuks kokku plekiservade või kruvioletstega.



### ⚠ HOIATUS!

S3 terminalis esineb kõrgepinge potentsiaal, mille põhjuseks on elektrisüsteemi selline ehitus, kus toiteliini ja sidesignaali-liini vahel puudub elektrisolatsioon. Seetõttu tuleb toide hoolduse ajaks välja lülitada. Lisaks ärge puudutage terminale S1, S2 või S3, kui toide on sisse lülitatud. Kui sise- ja välisseadme vahel tuleb kasutada isolaatorit, kasutage 3-poolilist tüüpi.

Ärge ühendage kunagi toitejuhet või sise-/välisühenduse juhet, muidu võib tagajärjeks olla suits, tulekahju või sidehäire.

Ühendage sise- ja välisseadme ühenduskaablid otse seadmetega (ilma vaheühendusteta).

Vaheühendused võivad põhjustada side vigu, kui vesi kaablitesse tungib ja põhjustab ebapiisava maandusisolatsiooni või halva elektrikontakti vaheühenduspunkti.

## 7. Hooldus

### 7.1. Gaasiga täitmine (Fig. 7-1)

1. Ühendage gaasivõrk sulgeventiili hooldusavaga (3-suunaline).
2. Puhastage õhuga külmaaine gaasivõrki tulevat toru (või voolik).
3. Lisage kindlaks määratud kogus külmaainet, samal ajal kui õhk-vesi-soojuspump töötab jahutamise peal.

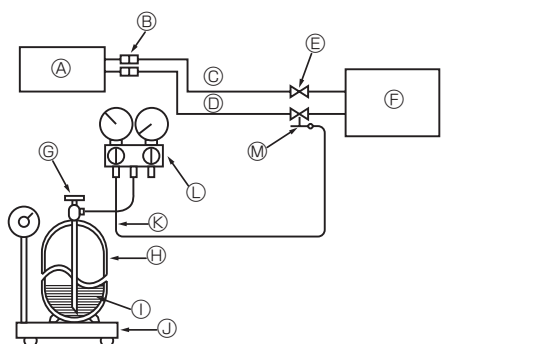
**Märkus:**

külmaaine lisamisel jälgige külmutustsükli jaoks näidatud kogust.

### ⚠ ETTEVAATUST!

- Ärge laske külmaainet atmosfääri. Hooldage selle eest, et külmaaine paigaldamise, taasinstitallimise või remondi ajal ei satuks külmaainet atmosfääri.
- Lisatäitmiseks lisage külmaainet gaasibalooni vedelas olekus. Kui külmaainet lisatakse gaasilises olekus, võivad silindris ja välisseadmes asuvas külmaaines esineda kompositsioonilised muutused. Sellisel juhul väheneb külmutustsükli võime või tavapärane töö võib osutuda võimatuks. Samas võib vedela külmaaine samaaegne lisamine põhjustada kompressori lukustumist. Seega lisage külmaainet väga aeglaselt.

Gaasivõrki kõrge rõhu säilitamiseks soojendage gaasivõrki külmal aastaajal sooja veega (alla 40 °C). Ärge kasutage kunagi lahtist tuld või auru.



- Ⓐ Siseseade
- Ⓑ Ühendus
- Ⓒ Vedelikutoru
- Ⓓ Gaasitoru
- Ⓔ Sulgeventiil
- Ⓕ Välisseade
- Ⓖ Külmaaine gaasivõrk
- Ⓗ Külmaaine gaasivõrk, sifooniga (mudelile R32)
- Ⓘ Külmaaine (vedel)
- Ⓙ Elektrooniline kaal külmaaine lisamiseks
- Ⓚ Täitevoolik (mudelile R32)
- Ⓛ Kollektorventiili mõõtja (mudelile R32)
- Ⓜ Hooldusava
- Ⓝ Käitav ventiil

Fig. 7-1

## 8. Tööd veetorustikuga

### 8.1. Minimaalne veekogus

Vaadake siseseadme paigaldusjuhendit.

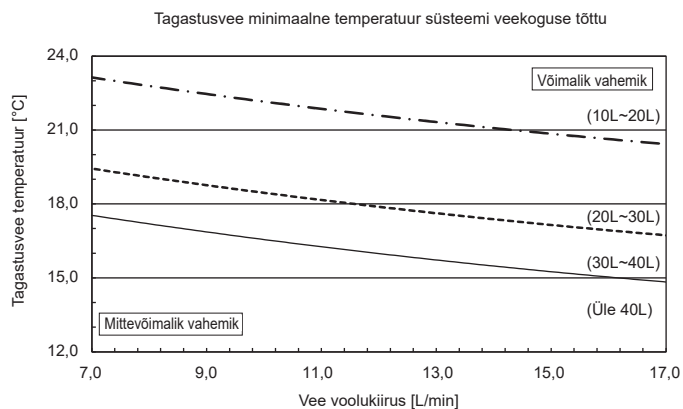
### 8.2. Võimalik vahemik (vee voolukiirus, tagastusvee temperatuur)

Veenduge, et veeringlus oleks järgmises vee voolukiiruse ja tagastusvee temperatuuri vahemikus.

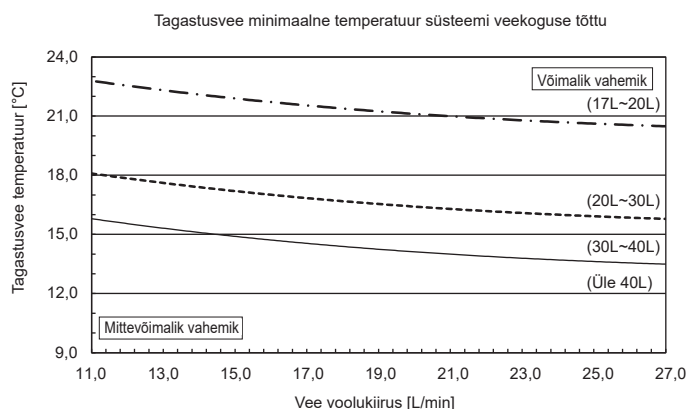
Need kõverad on seotud vee kogusega.

#### ■ Kütmine

SUZ-SWM30VA SUZ-SHWM30VAH  
SUZ-SWM40VA2 SUZ-SHWM40VAH  
SUZ-SWM60VA2



SUZ-SWM80VA(H)2  
SUZ-SWM100VA(H)  
SUZ-SHWM60VAH



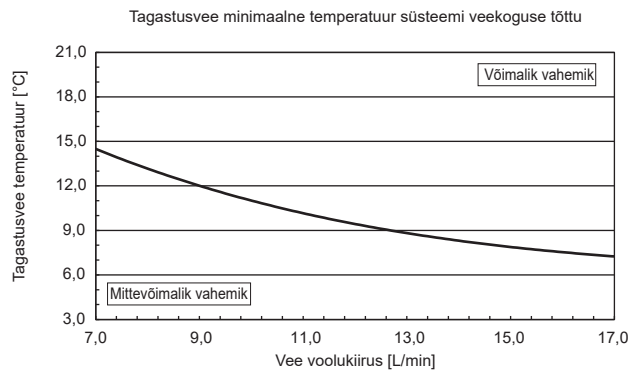
#### Märkus:

- Sulatamisel vältige kindlasti mittevõimalikku vahemikku.  
Muidu ei sulata välisseade piisavalt ja/või siseseadme soojusvaheti võib külmuda.
- Voolutemperatuur PEAB alati olema VÄHEMALT 32°C, kui välitemperatuur langeb alla -15°C.  
Võimalik oht, et plaatsoojusvaheti külmub ära ja saab kahjustada, samuti külmuks välitingimustes soojusvaheti ebapiisava sulatamise tõttu ära.

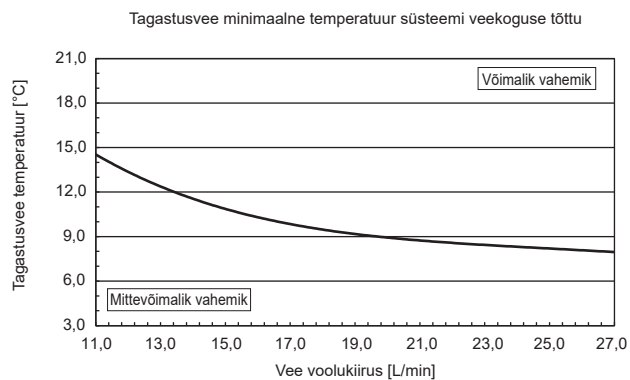
## 8. Tööd veektorustikuga

### ■ Jahutamine

SUZ-SWM30VA SUZ-SHWM30VAH  
SUZ-SWM40VA2 SUZ-SHWM40VAH  
SUZ-SWM60VA2



SUZ-SWM80VA(H)2  
SUZ-SWM100VA(H)  
SUZ-SHWM60VAH



#### Märkus:

Sulatamisel vältige kindlasti mittevõimalikku vahemikku.

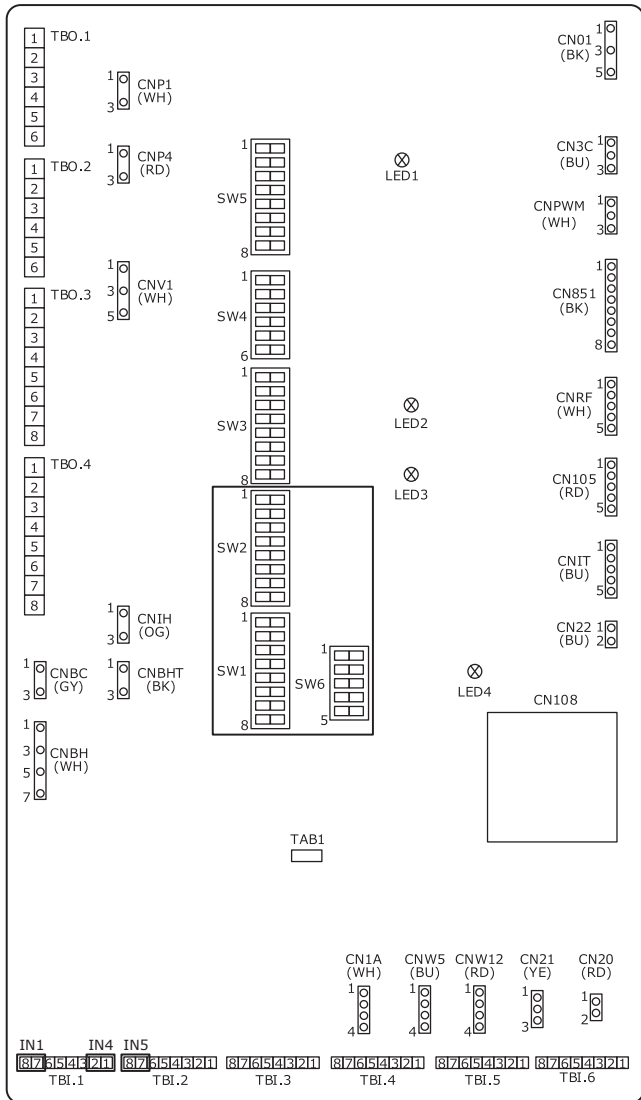
Muidu ei sula välisseade piisavalt ja/või siseseadme soojusvaheti võib külmuda.



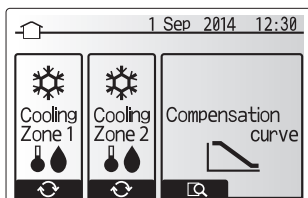
## 9. Tühjaks pumpamine

Välisseadme asukoha muutmisel või pumba eemaldamisel pumbake süsteem alltoodud protseduuri järgides tühjaks, et külmaainet ei satuks atmosfääri.

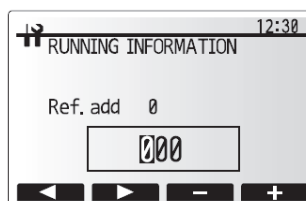
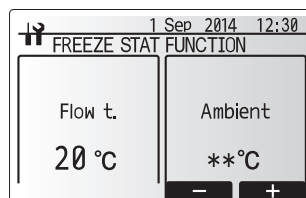
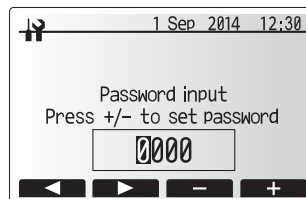
- ① Lülitage vooluahel välja (sh siseseade, küttekeha, välisseade jne)
- ② Ühendage kollektorventiili mootja sulgeventiili hooldusavaga välisseadme gaasitorupoole küljel.
- ③ Sulgege täielikult välisseadme vedelikutorupoole küljel olev sulgeventiil.
- ④ Muutke siseseadme seadistusi.
  - Seadke siseseadme juhtplaadil DIP-lüliti SW1-3 OFF-asendisse, SW2-1 OFF-asendisse, SW2-4 ON-asendisse ja SW6-3 OFF-asendisse.
  - Katkestage signaalisendid IN1 (toatermostaat 1 sisend), IN4 (nõudluse juhtimise sisend) ja IN5 (välistermostaadi sisend) ühendus.



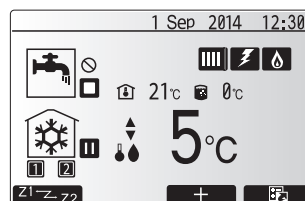
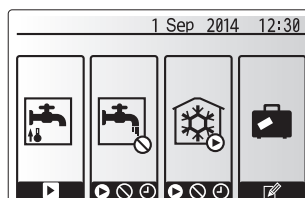
- ⑤ Lülitage vooluahel sisse.
- ⑥ Valige siseseadme peamise kontrolleri peamenüüst „Heating/cooling mode“ (kütte-/jahutusrežiim) → „Cooling flow temp.“ (jahutusvoolu temperatuur).



- ⑦ Valige peamenüüst „Service“ (Hooldus) ja muutke seadistusi alltoodud viisil. Teil palutakse sisestada parool. TEHASE VAIKEPAROOL on „0000“.
  - Valige „Operation settings“ (Tööseadistused) → „Freeze stat function“ (Külumisooleku funktsioon) ning määrake minimaalseks välisõhu temperatuuriks \* (tärn).
  - Valige „Running information“ (Käitumisteave) ja määrake suvandi Reference address (Viiteaadress) väärtuseks 351.



- ⑧ Tehke külmaaine kogumise toiming.
  - Vajutage peamisel kontrolleriil nupule „ON/OFF“ (SISSE/VÄLJA).
  - Valige valikumenüüst „Cooling ON“ (jahutus sisse).
  - Seadke soovitud voolutemperatuuriks 5 °C. Kui süsteemi juhib ruumitemperatuuri termostaat, seadistage soovitud toatemperatuuriks 10 °C. Külmaaine kogumise toiming algab 60 sekundi pärast.
  - Üksikasjalikumad või muud teavet peamise kontrolleri seadistuste kohta leiata siseseadme paigaldus- või kasutusjuhendist.



Jätub järgmisel leheküljel.

## 9. Tühjaks pumpamine

- ⑨ Sulgege välisseadme gaasitorupoolisel küljel olev sulgeventiil peaaegu täielikult, kui rõhumõõtja näitab 0,05–0 MPa [Mõõtja] (u 0,5–0 kgf/cm<sup>2</sup>) ja peatage välisseade kiiresti.
- Välisseadme peatamiseks vajutage kaugjuhtimispuldil nuppu „ON/OFF“ (SISSE/VÄLJA).
  - \* Arvestage sellega, et kui torustiku pikendus on väga pikk ja külmaaine kogus on suur, siis ei pruugi allapumpamine võimalik olla. Sellisel juhul kasutage külmaaine taaskasutamise seadmeid, et koguda kogu süsteemi külmaaine.
- ⑩ Seadke tagasi peamise kontrolleri seadistused, mis said muudetud ülaltoodud toimingu ⑨ ajal.
- ⑪ Siseseadme peatamiseks vajutage 3 sekundi jooksul peamise kontrolleri nupule „ON/OFF“ (SISSE/VÄLJA).
- ⑫ Seadke peamisel kontrolleriil tagasi kõik muud kui toimingu ⑨ ajal muudetud seadistused.
- \* Suvandi „Running information“ (Käitamisteave) ennistamine: määrake suvandi Reference address (Viiteaadress) väärtuseks 350.
- ⑬ Lülitage kogu vooluahel välja ja seadke siseseadme trükkplaadi DIP-lüliti seadistused tagasi nii, nagu need olid.
- ⑭ Eemaldage kollektorventiili mõõtja ja seejärel eemaldage külmaainetorud.

### HOIATUS!

Kui külmaaineahelas on leke, siis ÄRGE käivitage allapumpamist kompressoriga. Külmaainet alla pumbates peatage kompressor enne külmaaine torude lahtiühendamist.

- Kui külmaainetorud on kompressori töö ajal lahti ühendatud ja sulgeventiil (kuulklapp) on avatud, siis võib jahutusstsükli rõhk tõusta õhu sissetõmbamisel väga kõrgeks, põhjustades torude lõhkemist, kehavigastusi jne.

### ETTEVAATUST!

Kui loote ühenduse siseseadmega, mis ei luba JAHUTUSREŽIIMI, siis ÄRGE kasutage seda JAHUTUSREŽIIMI muul otstarbel kui ainult allapumpamiseks.

## 10. Tehnilised andmed

Välisseadme mudel		SUZ-SWM30VA	SUZ-SHWM30VAH	SUZ-SWM40VA2	SUZ-SHWM40VAH	SUZ-SWM60VA2
Toiteallikas	V / faas / Hz	230 / üksik / 50				
Mõõdud (L × K × D)	mm	800 × 714 × 285				
Helivõimsuse tase (kütisel)	*1 dB(A)	57	57	57	58	60
	*2 dB(A)	54	54	54	55	56

Välisseadme mudel		SUZ-SHWM60VAH	SUZ-SWM80VA(H)2	SUZ-SWM100VA(H)
Toiteallikas	V / faas / Hz	230 / üksik / 50		
Mõõdud (L × K × D)	mm	840 × 880 × 330		
Helivõimsuse tase (kütisel)	*1 dB(A)	60	60	62
	*2 dB(A)	58	59	60

\*1. Mõõdetud nimitõõsagedusel keskkonnamperatuuril 7 °C DB / 6 °C WB ja vee väljalasketemperatuuril 55 °C

\*2. Mõõdetud vastavalt standardile EN12102 standardi EN14825 tingimuste alusel

EU DECLARATION OF CONFORMITY  
EU-KONFORMITÄTSEKTLÄRUNG  
DÉCLARATION DE CONFORMITÉ UE  
EU-CONFORMITEITSVERKLARING  
DECLARACIÓN DE CONFORMIDAD UE  
DICHIARAZIONE DI CONFORMITÀ UE  
ΔΗΛΩΣΗ ΣΥΜΜΟΡΦΩΣΗΣ ΕΕ  
DECLARAÇÃO DE CONFORMIDADE UE  
EU-OVERENSSTEMMELSESEKTLÆRING

EG-DEKLARATION OM ÖVERENSSTÄMMELSE  
AV UYGUNLUK BEYAN  
ДЕКЛАРАЦИЯ СООТВЕТСТВИЯ НОРМАМ ЕС  
ДЕКЛАРАЦІЯ ВІДПОВІДНОСТІ ВИМОГАМ ЄС  
ЕС ДЕКЛАРАЦІЯ ЗА СЪОТВЕТСТВИЕ  
DEKLARACJA ZGODNOŚCI UE  
EU-ERKLÆRING OM SAMSVAR  
EU-VAATIMUSTENMUKAISUUSVAKUUTUS  
EU PROHLÁŠENÍ O SHODĚ

EÚ VYHLÁSENIE O ZHODE  
EU MEGFELELŐSÉGI NYILATKOZAT  
IZJAVA EU O SKLADNOSTI  
DECLARAȚIE DE CONFORMITATE UE  
EL-I VASTAVUSDEKLARATSIOON  
ES ATBILSTĪBAS DEKLARĀCIJA  
ES ATITIKTIES DEKLARĀCIJA  
EU IZJAVA O SUKLADNOSTI  
EU IZJAVA O USAGLAŠENOSTI

**MITSUBISHI ELECTRIC CONSUMER PRODUCTS (THAILAND) CO., LTD**  
**700/406 MOO 7, TAMBON DON HUA ROH, AMPHUR MUANG, CHONBURI 20000, THAILAND**

hereby declares under its sole responsibility that the air conditioner(s) and heat pump(s) for use in residential, commercial, and light-industrial environments described below:  
erklärt hiermit auf seine alleinige Verantwortung, dass die Klimaanlage(n) und Wärmepumpe(n) für das häusliche, kommerzielle und leichtindustrielle Umfeld wie unten beschrieben:  
déclare par la présente et sous sa propre responsabilité que le(s) climatiseur(s) et la/les pompe(s) à chaleur destinés à un usage dans des environnements résidentiels, commerciaux et d'industrie légère décrits ci-dessous :  
verklaart hierbij onder eigen verantwoordelijkheid dat de voor huishoudelijke, handels- en lichtindustriële omgevingen bestemde airconditioner(s) en warmtepomp(en) zoals onderstaand beschreven:

por la presente declara, bajo su exclusiva responsabilidad, que el(los) acondicionador(es) de aire y la(s) bomba(s) de calor previsto(s) para su uso en entornos residenciales, comerciales y de industria ligera que se describen a continuación:

conferma con la presente, sotto la sua esclusiva responsabilità, che i condizionatori d'aria e le pompe di calore destinati all'utilizzo in ambienti residenziali, commerciali e semi-industriali e descritti di seguito:

με το παρόν δηλώνει με αποκλειστική ευθύνη ότι το ή τα κλιματιστικά και η ή οι αντλίες θερμότητας για χρήση σε οικιακά, εμπορικά και επαγγελματικά περιβάλλοντα που περιγράφονται παρακάτω:

declara pela presente, e sob sua exclusiva responsabilidade, que o(s) aparelho(s) de ar condicionado e a(s) bomba(s) de calor destinados a utilização em ambientes residenciais, comerciais e de indústria ligeira descritos em seguida:

erklærer hermed under eneansvar, at det/de herunder beskrevne airconditionanlæg og varmepumpe(r) til brug i beboelses- og erhvervs miljøer samt i miljøer med let industri:

intyggar härmed att luftkonditioneringarna och värmepumparna som beskrivs nedan för användning i bostäder, kommersiella miljöer och lätta industriella miljöer:

ev, ticaret ve hafif sanayi ortamlarında kullanıma yönelik aşağıda açıklanan klima ve ısıtma pompalarıyla ilgili aşağıdaki hususları yalnızca kendi sorumluluğunda olmak üzere beyan eder:

настоящим заявляет под свою исключительную ответственность, что кондиционер (-ы) и тепловой (-ые) насос (-ы) для использования в описанных ниже жилых, коммерческих и небольших складских и промышленных помещениях:

цим заявляю, беручи на себе повну відповідальність за це, що кондиціонер (-и) й тепловий (-и) насос (-и), описані нижче й призначені для використання в житлових приміщеннях, торговельних залах і на підприємствах легкої промисловості:

декларира с настоящата на своя собствена отговорност, че климатикъ(т)е и термомпата(ите), посочени по-долу и предназначени за употреба в жилищни, търговски и лекопромишлени среди:

niniejszym oświadczam na swoją wyłączną odpowiedzialność, że klimatyzatory i pompy ciepła do zastosowań w środowisku mieszkalnym, handlowym i lekko przemysłowym opisane poniżej:

erklærer et fullstendig ansvar for undernevnte klimaapparat og varmepumper ved bruk i boliger, samt kommersielle og lettindustrielle miljøer:

vakuuttaa täten yksinomaista vastuutaan, että jäljempänä kuvutat asuinrakennuksiin, pientaloisuuskäyttöön ja kaupalliseen käyttöön tarkoitettuihin ilmastointilaitteisiin ja lämpöpumput:

tímto na vlastní odpovědnost prohlašuje, že níže popsané klimatizační jednotky a tepelná čerpadla pro použití v obytných prostředích, komerčních prostředích a prostředích lehkého průmyslu:

týmto na svoju výlučnú zodpovednosť vyhlasuje, že nasledovné klimatizačné jednotky a tepelné čerpadlá určené na používanie v obytných a obchodných priestoroch a v prostredí ľahkého priemyslu:

alulírott kizárólagos felelősségére nyilatkozik, hogy az alábbi lakossági, kereskedelmi és kisipari környezetben való használatra szánt klímaberendezés(ek) és hőszivattyú(k):

na lastno odgovornost izjavlja, da so spodaj opisane klimatske naprave in toplotne črpalke, namenjene za uporabo v stanovanjskih, poslovnih in lahkoindustrijskih okoljih:

declară prin prezenta, pe proprie răspundere, faptul că aparatele de climatizare și pompele de căldură descrise mai jos și destinate utilizării în medii rezidențiale, comerciale și din industria ușoară:

kinnitab oma ainuvastutusest, et allpool toodud elu-, äri- ja kergtööstuskeskkondades kasutamiseks mõeldud kliimaseadmed ja soojuspumbad:

ar šo, vienpersoniski uzņemoties atbildību, paziņo, ka tālāk aprakstītais(-tie) gaisa kondicionētājs(-i) un siltumsūkņis(-i) ir paredzēti lietošanai dzīvojamajās, komercdarbības un vieglās rūpniecības telpās, kas aprakstītas tālāk:

šiuo vien tik savo atsakomybe pareiškia, kad toliau apibūdintas (-i) oro kondicionierius (-iai) ir šilumos siurblys (-iai), skirtas (-i) naudoti toliau apibūdintose gyvenamosiose, komercinėse ir lengvosios pramonės aplinkose:

ovime izjavljuje pod isključivom odgovornošću da je/su klimatizacijski uređaji(i) i toplinska dizalica(e) opisan(i) u nastavku namijenjen(i) za upotrebu u stambenim i poslovnim okruženjima te okruženjima lake industrije:

ovim izjavljuje na svoju isključivu odgovornost da su klima-uređaji i toplotne pumpe za upotrebu u stambenim, komercijalnim okruženjima i okruženjima lake industrije opisani u nastavku:

**MITSUBISHI ELECTRIC, SUZ-SWM30VA\*, SUZ-SWM40VA\*, SUZ-SWM60VA\*, SUZ-SWM80VA\*, SUZ-SWM100VA\***  
**SUZ-SHWM30VAH\*, SUZ-SHWM40VAH\*, SUZ-SHWM60VAH\*, SUZ-SWM80VAH\*, SUZ-SWM100VAH\***  
**\* : , , 1, 2, 3, , , , 9**

is/are in conformity with provisions of the following Union harmonisation legislation.  
die Bestimmungen der folgenden Harmonisierungsrechtsvorschriften der Union erfüllen/

erfüllen.  
est/sont conforme(s) aux dispositions de la législation d'harmonisation de l'Union

suivante.  
voldoet/voldoen aan bepalingen van de volgende harmonisatiewetgeving van de Unie.

cumple(n) con las disposiciones de la siguiente legislación de armonización de la Unión.

sono in conformità con le disposizioni della seguente normativa dell'Unione sull'armonizzazione.

συμμορφώνονται με τις διατάξεις της ακόλουθης νομοθεσίας εναρμόνισης της Ένωσης.

está/estão em conformidade com as disposições da seguinte legislação de harmonização da União.

er i overensstemmelse med bestemmelse(r) i følgende harmoniserede EU-lovgivning.

uppfyller villkoren i följande harmoniserade föreskrifter inom unionen.

აşağıdaki Avrupa Birliği uyumlaştırma mevzuatının hükümlerine uygundur.

соответствуют положениям следующих законодательных актов Союза о гармонизации.

2014/35/EU: Low Voltage Directive  
2006/42/EC: Machinery Directive  
2014/30/EU: Electromagnetic Compatibility Directive  
2011/65/EU, (EU) 2015/863 and (EU) 2017/2102: RoHS Directive  
2009/125/EC: Energy-related Products Directive and Regulation (EU) No 813/2013

відповідають положенням вказаного далі законодавства Союзу щодо гармонізації.  
е/са в съответствие с разпоредбите на следното законодателство на Съюза за

хармонизация.  
są zgodne z przepisami następującego unijnego prawodawstwa harmonizacyjnego.

er i samsvar med forskriftene til følgende EU-lovgivning om harmonisering.

ovat seuraavan unionin yhdenmukaistamislainsäädännön säännösten mukaisia.

jsou v souladu s ustanoveními následujících harmonizačních právních předpisů Unie.

spĺňajú ustanovenia nasledujúcich harmonizovaných noriem EÚ.

megfelel(nek) az Unió alábbi harmonizációs jogszabályi előírásainak.

in skladu z določbami naslednje usklajevalne zakonodaje Unije.

sunt în conformitate cu dispozițiile următoare legislații de armonizare a Uniunii.

vastavad järgmiste Euroopa Liidu ühtlustatud õigusaktide sätetele.

atbilst šādiem ES harmonizētājiem tiesību aktu noteikumiem.

taip pat atitinka kitų toliau išvardytų suderintųjų Sąjungos direktyvų nuostatas.

sukladan(i) odredbama sljedećeg zakonodavstva Unije za sukladnost.

u skladu sa odredbama sledećeg usklađivanja zakonodavstva Unije.

## <ENGLISH>

English is original. The other languages versions are translation of the original.

### ▲ CAUTION

- Refrigerant leakage may cause suffocation. Provide ventilation in accordance with EN378-1.
- Be sure to wrap insulation around the piping. Direct contact with the bare piping may result in burns or frostbite.
- Never put batteries in your mouth for any reason to avoid accidental ingestion.
- Battery ingestion may cause choking and/or poisoning.
- Install the unit on a rigid structure to prevent excessive operation sound or vibration.
- The A-weighted sound pressure level is below 70dB.
- This appliance is intended to be used by expert or trained users in shops, in light industry and on farms, or for commercial use by lay persons.

## <DEUTSCH>

Das Original ist in Englisch. Die anderen Sprachversionen sind vom Original übersetzt.

### ▲ VORSICHT

- Wenn Kältemittel austritt, kann dies zu Ersticken führen. Sorgen Sie in Übereinstimmung mit EN378-1 für Durchlüftung.
- Die Leitungen müssen isoliert werden. Direkter Kontakt mit nicht isolierten Leitungen kann zu Verbrennungen oder Erfrierungen führen.
- Nehmen Sie niemals Batterien in den Mund, um ein versehentliches Verschlucken zu vermeiden.
- Durch das Verschlucken von Batterien kann es zu Erstickungen und/oder Vergiftungen kommen.
- Installieren Sie das Gerät auf einem stabilen Untergrund, um übermäßige Betriebsgeräusche oder -schwingungen zu vermeiden.
- Der A-gewichtete Schalldruckpegel ist niedriger als 70dB.
- Dieses Gerät ist vorgesehen für die Nutzung durch Fachleute oder geschultes Personal in Werkstätten, in der Leichtindustrie und in landwirtschaftlichen Betrieben oder für die kommerzielle Nutzung durch Laien.

## <FRANÇAIS>

L'anglais est l'original. Les versions fournies dans d'autres langues sont des traductions de l'original.

### ▲ PRECAUTION

- Une fuite de réfrigérant peut entraîner une asphyxie. Fournissez une ventilation adéquate en accord avec la norme EN378-1.
- Assurez-vous que la tuyauterie est enveloppée d'isolant. Un contact direct avec la tuyauterie nue peut entraîner des brûlures ou des engelures.
- Ne mettez jamais des piles dans la bouche pour quelque raison que ce soit pour éviter de les avaler par accident.
- Le fait d'ingérer des piles peut entraîner un étouffement et/ou un empoisonnement.
- Installez l'appareil sur une structure rigide pour prévenir un bruit de fonctionnement et une vibration excessifs.
- Le niveau de pression acoustique pondéré est en dessous de 70 dB.
- Cet appareil est conçu pour un utilisateur expert ou les utilisateurs formés en magasin, dans l'industrie légère et dans l'agriculture ou dans le commerce par le profane.

## <NEDERLANDS>

Het Engels is het origineel. De andere taalversies zijn vertalingen van het origineel.

### ▲ VOORZICHTIG

- Het lekken van koelvloeistof kan verstikking veroorzaken. Zorg voor ventilatie in overeenstemming met EN378-1.
- Isoleer de leidingen met isolatiemateriaal. Direct contact met de onbedekte leidingen kan leiden tot brandwonden of bevriezing.
- Stop nooit batterijen in uw mond om inslikking te voorkomen.
- Het inslikken van batterijen kan verstikking of vergiftiging veroorzaken.
- Installeer het apparaat op een stabiele structuur om overmatig lawaai of trillingen te voorkomen.
- Het niveau van de geluidsdruk ligt onder 70 dB(A).
- Dit apparaat is bedoeld voor gebruik door ervaren of opgeleide gebruikers in werkplaatsen, in de lichte industrie en op boerderijen, of voor commercieel gebruik door leken.

## <ESPAÑOL>

El idioma original del documento es el inglés. Las versiones en los demás idiomas son traducciones del original.

### ▲ CUIDADO

- Las pérdidas de refrigerante pueden causar asfixia. Se debe proporcionar la ventilación determinada en EN378-1.
- Asegúrese de colocar el aislante alrededor de las tuberías. El contacto directo con la tubería puede ocasionar quemaduras o congelación.
- Para evitar una ingestión accidental, no coloque las pilas en su boca bajo ningún concepto.
- La ingestión de las pilas puede causar asfixia y/o envenenamiento.
- Coloque la unidad en una estructura rígida para evitar que se produzcan sonidos o vibraciones excesivos debidos a su funcionamiento.
- El nivel de presión acústica ponderado A es inferior a 70 dB.
- Este aparato está destinado a su uso por parte de usuarios expertos o capacitados en talleres, industrias ligeras y granjas, o a su uso comercial por parte de personas no expertas.

## <ITALIANO>

Il testo originale è redatto in lingua Inglese. Le altre versioni linguistiche rappresentano traduzioni dell'originale.

### ▲ ATTENZIONE

- Le perdite di refrigerante possono causare asfissia. Prevedere una ventilazione adeguata in conformità con la norma EN378-1.
- Accertarsi di applicare materiale isolante intorno alle tubature. Il contatto diretto con le tubature non schermate può provocare ustioni o congelamento.
- Non introdurre in nessun caso le batterie in bocca onde evitare ingestioni accidentali.
- L'ingestione delle batterie può provocare soffocamento e/o avvelenamento.
- Installare l'unità su una struttura rigida in modo da evitare rumore o vibrazioni eccessivi durante il funzionamento.
- Il livello di pressione del suono ponderato A è inferiore a 70dB.
- Questa apparecchiatura è destinata all'utilizzo da parte di utenti esperti o addestrati in negozi, industria leggera o fattorie oppure a un uso commerciale da parte di persone non esperte.

## <ΕΛΛΗΝΙΚΑ>

Η γλώσσα του πρωτοτύπου είναι η αγγλική. Οι εκδόσεις άλλων γλωσσών είναι μεταφράσεις του πρωτοτύπου.

### ▲ ΠΡΟΣΟΧΗ

- Η διαρροή του ψυκτικού ενδέχεται να προκαλέσει ασφυξία. Φροντίστε για τον εξαερισμό σύμφωνα με το πρότυπο EN378-1.
- Φροντίστε να τυλίξετε με μονωτικό υλικό τη σωλήνωση. Η απευθείας επαφή με τη γυμνή σωλήνωση ενδέχεται να προκαλέσει εγκαυμάτα ή κρυοπαγήματα.
- Μη βάζετε ποτέ τις μπαταρίες στο στόμα σας για κανένα λόγο ώστε να αποφύγετε την κατά λάθος κατάποσή τους.
- Η κατάποση μπαταριών μπορεί να προκαλέσει πνιγμό ή/και δηλητηρίαση.
- Εγκαταστήστε τη μονάδα σε σταθερή κατασκευή ώστε να αποφύγετε τον έντονο ήχο λειτουργίας ή τους κραδασμούς.
- Η Α-σταθμισμένη στάθμη ηχητικής πίεσης είναι κάτω των 70dB.
- Η Α-σταθμισμένη στάθμη ηχητικής πίεσης είναι κάτω των 70dB.
- Η συσκευή αυτή προορίζεται για χρήση από εμπειρογούς ή εκπαιδευμένους χρήστες σε καταστήματα, στην ελαφριά βιομηχανία και σε αγροκτήματα, ή για εμπορική χρήση από άτομα τα οποία δεν είναι ειδήμονες.

## <PORTUGUÊS>

O idioma original é o inglês. As versões em outros idiomas são traduções do idioma original.

### ▲ CUIDADO

- A fuga de refrigerante pode causar asfixia. Garanta a ventilação em conformidade com a norma EN378-1.
- Certifique-se de que envolve as tubagens com material de isolamento. O contacto directo com tubagens não isoladas pode resultar em queimaduras ou ulcerações provocadas pelo frio.
- Nunca coloque pilhas na boca, por nenhum motivo, para evitar a ingestão accidental.
- A ingestão de uma pilha pode causar obstrução das vias respiratórias e/ou envenenamento.
- Instale a unidade numa estrutura robusta, de forma a evitar ruídos ou vibrações excessivos durante o funcionamento.
- O nível de pressão sonora ponderado A é inferior a 70 dB.
- Este equipamento destina-se a ser utilizado por especialistas ou utilizadores com formação em lojas, na indústria ligeira e em quintas, ou para utilização comercial por leigos.

## <DANSK>

Engels er originalen. De andre sprogversioner er oversættelser af originalen.

### ▲ FORSIGTIG

- Lækage af kølemiddel kan forårsage kvælning. Sørg for udluftning i overensstemmelse med EN378-1.
- Sørg for at pakke rørene ind i isolering. Direkte kontakt med ubeklædte rør kan forårsage forbrændinger eller forfrysninger.
- Batterier må under ingen omstændigheder tages i munden for at forhindre utilsigtet indtagelse.
- Indtagelse af batterier kan forårsage kvælning og/eller forgiftning.
- Installer enheden på en fast struktur for at forhindre for høje driftslyde eller vibrationer.
- Det A-vægtede lydtrykniveau er under 70dB.
- Dette apparat er beregnet til at blive brugt af eksperter eller udlærte brugere i butikker, inden for let industri og på gårde eller til kommerciel anvendelse af lægmænd.

## <SVENSKA>

Engelska är originalspråket. De övriga språkversionerna är översättningar av originalet.

### ▲ FÖRSIKTIGHET

- Köldmedelsläckage kan leda till kvävning. Tillhandahåll ventilation i enlighet med EN378-1.
- Kom ihåg att linda isolering runt rören. Direktkontakt med bara rör kan leda till brännskador eller köldskador.
- Stoppa aldrig batterier i munnen, de kan sväljas av misstag.
- Om ett batteri sväljs kan det leda till kvävning och/eller förgiftning.
- Montera enheten på ett stadigt underlag för att förhindra höga driftljud och vibrationer.
- Den A-vägdade ljudtrycksnivån är under 70dB.
- Denna apparat är ämnad för användning av experter eller utbildade användare i affärer, inom lätt industri och på lanbruk, eller för kommersiell användning av lekmän.

## <TÜRKÇE>

Aslı İngilizce'dir. Diğer dillerdeki sürümler aslının çevirisidir.

### ▲ DİKKAT

- Soğutucu kaçağı boğulmaya neden olabilir. EN378-1 uyarınca uygun havalandırma sağlayın.
- Borular etrafına yalıtım yapıldığından emin olun. Borulara doğrudan çıplak elle dokunulması yanıklara veya soğuk ısırıklarına neden olabilir.
- Kazara yutmamak için, pilleri kesinlikle hiçbir amaçla ağzınızda tutmayın.
- Pillerin yutulması boğulmaya ve/veya zehirlenmeye yol açabilir.
- Aşırı çalıma seslerini veya titreşimi önlemek için, üniteyi sağlam bir yapı üzerine monte edin.
- A ağırıklı ses gücü seviyesi 70dB'nin altındadır.
- Bu cihaz tölöyelerde, hafif endüstriyel tesislerde ve çiftliklerde uzman veya eğitimli kullanıcılar tarafından kullanılmak üzere veya normal kullanıcılar tarafından ticari kullanım için tasarlanmıştır.

## <РУССКИЙ>

Языком оригинала является английский. Версии на других языках являются переводом оригинала.

### ▲ ОСТОРОЖНО

- Утечка хладагента может стать причиной удушья. Обеспечьте вентиляцию в соответствии с EN378-1.
- Обязательно оберните трубы изоляционным материалом. Непосредственный контакт с неизолированным трубопроводом может привести к ожогам или обморожению.
- Запрещается класть элементы питания в рот по каким бы то ни было причинам во избежание случайного проглатывания.
- Попадание элемента питания в пищеварительную систему может стать причиной удушья и/или отравления.
- Устанавливайте устройство на жесткую структуру во избежание чрезмерного шума или чрезмерной вибрации во время работы.
- Уровень звукового давления по шкале A не превышает 70 дБ.
- Данное устройство предназначено для использования специалистами или обученным персоналом в магазинах, на предприятиях легкой промышленности и фермах или для коммерческого применения не-профессионалами.

## <УКРАЇНСЬКА>

Переклад оригіналу. Текст іншими мовами є перекладом оригіналу.

### ▲ ОБЕРЕЖНО

- Виток холодагента може призвести до удушся. Необхідно забезпечити вентиляцію відповідно до стандарту EN 378-1.
- Труби необхідно обмотати ізоляційним матеріалом. Прямий контакт із непокритою трубою може призвести до опіку або обмороження.
- Забороняється класти елементи живлення в рот із будь-яких причин, оскільки є ризик випадково їх проковтнути.
- Попадання елемента живлення в травну систему може стати причиною задхуки та/або отруєння.
- Встановлюйте блок на міцній конструкції, щоб уникнути надмірного рівня звуку роботи або вібрації.
- Рівень амплітудно зваженого акустичного тиску становить нижче 70 дБ.
- Цей прилад призначається для використання спеціалістами або особами, що пройшли відповідне навчання, у краніцях, легкій промисловості та сільськогосподарських підприємствах, а також для комерційного використання неспеціалістами.

## <БЪЛГАРСКИ>

Оригиналът е текстът на английски език. Версиите на други езици са преводи на оригинала.

### ▲ ВНИМАНИЕ

- Изтичането на хладилен агент може да причини задушаване. Осигурете вентилация съобразно с EN378-1.
- Не забравяйте да уветите изолация около тръбите. Директният контакт с оголени тръби може да причини изгаряне или измръзване.
- При никакви обстоятелства не поставяйте батериите в устата си, за да не ги поглънете по невнимание.
- Това може да доведе до задушаване и/или натравяне.
- Монтирайте тялото върху твърда конструкция, за да предотвратите прекомерен шум или вибрации по време на работа.
- А-претегленото ниво на звуково налягане е под 70 dB.
- Този уред е предназначен за използване от експерти или обучени потребители в магазини, в леката промисленост и във ферми, или за търговска употреба от неспециалисти.

## <POLSKI>

Językiem oryginalu jest język angielski. Inne wersje językowe stanowią tłumaczenie oryginalu.

### ▲ UWAGA

- Wyciek czynnika chłodniczego może spowodować uduszenie. Należy zapewnić wentylację zgodnie z normą EN378-1.
- Należy pamiętać, aby owinąć izolację wokół przewodów rurowych. Bezpośredni kontakt z niezabezpieczonymi przewodami rurowymi może doprowadzić do poparzeń lub odmrożeń.
- Nie wolno wkładać baterii do ust z jakiegokolwiek powodu, aby uniknąć przypadkowego połknięcia.
- Połknięcie baterii może spowodować zadławienie i/lub zatrucie.
- Zainstalować urządzenie na sztywnej konstrukcji, aby zapobiec nadmieremu hałasowi i wibracjom.
- Poziom dźwięku A nie przekracza 70 dB.
- W sklepach, w przemyśle lekkim i w gospodarstwach rolnych urządzenie powinni obsługiwać profesjonalni lub przeszkoleni użytkownicy, a w środowisku handlowym mogą to być osoby nieposiadające fachowej wiedzy.

## <NORSK>

Originalspråket er engelsk. De andre språkversjonene er oversettelser av originalen.

### ▲ FORSIKTIG

- Kjølemiddellekkasje kan forårsake kvælning. Sørg for ventilering i samsvar med EN378-1.
- Pass på at isoleringen pakkes godt rundt røret. Direkte kontakt med ukledte rør kan forårsake brannskader eller forfrysninger.
- Aldri plasser batteri i munnen, da dette kan medføre en risiko for at du svelger batteriet ved et uhell.
- Hvis du svelger et batteri, kan du risikere kvælning og/eller forgiftning.
- Installer enheten på en stabil struktur for å forhindre uønsket mye driftsstøy eller vibrering.
- Det A-vektede lydtrykknivået er under 70 dB.
- Dette apparatet er ment for bruk av eksperter eller faglært personell i butikker, lettindustri og på gårder, eller for kommersielt bruk av ikke-fagmenn.

## <SUOMI>

Englanti on alkuperäinen. Muut kieliversiot ovat alkuperäiskappaleen käännoiksiä.

### ▲ HUOMIO

- Vuotava kylmäaine voi aiheuttaa tukehtumisen. Ilmanvaihdon on oltava EN378-1-standardin mukainen.
- Kääri putken ympärille eristysmateriaalia. Paljaan putken koskettamisesta voi seurata palotai paleltumavammoja.
- Älä koskaan laita paristoja suuhun, jotta et vahingossa nielaisisi niitä.
- Paristojen nieleminen voi aiheuttaa tukehtumisen ja/tai myrkytysten.
- Asenna yksikkö tukeviin rakenteisiin, jotta sen käytöstä ei syntyisi ylimääräistä ääntä tai värinää.
- A-painotettu äänenpainetaso on alle 70 dB.
- Laite on tarkoitettu asiantuntijoiden tai laitteelle koulutuksen saaneiden käyttöön kauppoissa, pienteollisuudessa ja maataloilla tai maailloille kaupalliseen käyttöön.

## <ČEŠTINA>

Originál je v angličtině. Ostatní jazykové verze jsou překladem originálu.

### ▲ POZOR

- Únik chladicího média může způsobit udušení. Zajistěte větrání v souladu s normou EN 378-1.
- Okolo potrubí vždy omotejte izolací. Přímý kontakt s obnaženým potrubím může způsobit popálení nebo omrzliny.
- Nikdy nevklaďte baterie do úst, aby nedošlo k jejich polknutí.
- Polknutí baterie může způsobit zadušení a/nebo otrávu.
- Jednotku nainstalujte na pevnou konstrukci, aby nedocházelo ke vzniku nadměrného provozního hluku a vibrací.
- Hladina akustického tlaku A je nižší než 70 dB.
- Toto zařízení je určeno pro prodejny, lehký průmysl a farmy, kde je musí obsluhovat odborníci a školení uživatelé, a pro komerční použití, kde je mohou obsluhovat laici.

## <SLOVENČINA>

Peklad anglického originálu. Všetky jazykové verzie sú preložené z angličtiny.

### ▲ UPOZORNENIE

- Únik chladiva môže spôsobiť udusenie. Zabezpečte vetranie podľa normy EN 378-1.
- Nezabudnite potrubie obaliť izoláciou. Priamy kontakt s nezabaleným potrubím môže spôsobiť popáleniny alebo omrzliny.
- Baterie si nikdy z akéhokoľvek dôvodu nekladte do úst, aby nedošlo k ich náhodnému požitiu.
- Požitie batérií môže vyvolať dusenie a/alebo otrávu.
- Nainštalujte jednotku na pevný konštrukčný prvok, aby ste obmedzili nadmerný prevádzkový hluk a vibrácie.
- Hladina akustického tlaku A je nižšia ako 70 dB.
- Toto zariadenie je určené na používanie odborníkmi alebo zaškolenými používateľmi v komerčných priestoroch, v prostredí ľahkého priemyslu, na farmách, alebo na komerčné použitie bežnými používateľmi.

## <MAGYAR>

Az angol változat az eredeti. A többi nyelvi változat az eredeti fordítása.

### ▲ VIGYÁZAT

- A hűtőközeg szivárgása fulladást okozhat. Gondoskodjon az EN378-1 szabvány elírásai szerinti szellőzéscről.
- Feltétlenül szigetelje körbe a csöveket. A csupasz cső megérintése égési vagy fagyási sérülést okozhat.
- Ne vegyen a szájába elemet semmilyen célból, mert véletlenül lenyelheti!
- A lenyelte elem fulladást és/vagy mérgezést okozhat.
- A készülettet merev szerkezetre szerelje fel, hogy megakadályozza a túlzott üzemi zajt és vibrációt.
- Az A-súlyozott hangnyomásszint 70 dB alatt van.
- A készülék üzletek, a könnyűipar és gazdaságok szakértői vagy képzett felhasználói, valamint laikus felhasználók által kereskedelmi használatra készül.

## <SLOVENŠČINA>

Izvirnik je v angleščini. Druge jezikovne različice so prevodi izvirnika.

### ▲ POZOR

- Puščanje hladiva lahko povzroči zadušitev. Zagotovite prezračevanje po standardu EN378-1.
- Cevi ovijte z izolacijo. Neposredni stik z golimi cevmi lahko povzroči opekline ali ozeblino.
- Nikoli in iz nobenega razloga ne vstavljajte baterij v usta, da jih po nesreči ne pogoltnete.
- Če baterije pogoltnete, se lahko zadušite in/ali zastrupite.
- Enoto namestite na togo konstrukcijo, da preprečite pretiran zvok ali tresljaje med delovanjem.
- A-utežena raven zvočnega tlaka je pod 70 dB.
- Naprava je namenjena za uporabo s strani strokovnih ali ustrezno usposobljenih uporabnikov v trgovinah, lahki industriji in na kmetijah ter za komercialno uporabo s strani nestrokovnih uporabnikov.

## <ROMÂNĂ>

Textul original este în limba engleză. Versiunile pentru celelalte limbi sunt traduceri ale originalului.

### ▲ ATENȚIE

- Scurgerea de agent frigorific poate cauza asfixierea. Asigurați o ventilație corespunzătoare, conform standardului EN378-1.
- Asigurați-vă că înfășurați materialul izolator în jurul conductelor. Contactul direct cu conductele neizolate se poate solda cu arsuri sau degerături.
- Nu introduceți niciodată și pentru niciun motiv bateriile în gură, pentru a evita ingerarea accidentală a acestora.
- Ingerarea bateriilor poate cauza sufocarea și/sau intoxicația.
- Instalați unitatea pe o structură rigidă pentru a preveni producerea unui nivel excesiv de sunete sau vibrații.
- Nivelul de presiune acustică ponderat în A este mai mic de 70 dB.
- Acest aparat este destinat utilizării de către utilizatori specializați sau instruiți în cadrul spațiilor comerciale, spațiilor din cadrul industriei ușoare și al fermelor sau în scopuri comerciale de către nespecialiști.

## <EESTI>

Originaaljuhend on ingliskeelne. Muudes keeltes versioonid on originaali tõlked.

### ▲ ETTEVAATUST!

- Külmaaine leke võib põhjustada lämbumist. Tuulutamine standardi EN378-1 kohaselt.
- Mähkige torude ümber kindlasti isolatsiooni. Vahetu kontakt paljaste torudega võib põhjustada põletusi või külmahajustusi.
- Hoiduge patareide tahmatust allaneelamisest, ärge kunagi pange ühelgi põhjusele patareisid suhu.
- Patarei allaneelamine võib põhjustada lämbumist ja/või mürgitust.
- Paigaldage seade järgale struktuurile, et vältida ülemäärast tööheli ja vibreerimist.
- A-filtriga helirõhu tase on madalam kui 70 dB.
- Seade on mõeldud kasutamiseks asjatundjatele ja väljaõppe läbinud kasutajatele poodides, kergtööstuses ja taludes ning kommertskasutuseks tavaisikute poolt.

## <LATVIŠKI>

Orģināls ir angļu valodā. Versijas citās valodās ir oriģināla tulkojums.

### ▲ UZMANĪBU

- Aukstumaģenta noplūdes gadījumā pastāv nosmakšanas risks. Ir jānodrošina standartam EN378-1 atbilstoša ventilācija.
- Aptiniet caurules ar izolējošu materiālu. Pieskaroties neaptitām caurulēm, var ģūt apdegumus vai apsaldģjumus.
- Aizliegts ģievietot baterģjas mutģ; pastāv norģšanas risks.
- Baterģju norģšana var izraisģt aizģrģšanas un/vai sainģdģšanas.
- Uzstāģdiet iekārtu uz izturģgas struktģras, lai izvairģtos no pārlģku liela darbģbas trokģņa vai vibrācijas.
- A — izsvārotais skaņas spģdģdiena lģmenģs ir mazāks par 70 dB.
- Šo iekārtu paredzģts lietot speciālistiem vai apmāģtiem lietotāģiem veģalos, vieģlās rūpnģcģbas tģpģas un lauksaimniecģbas fermās, kģ arī to var lietot nespeciālisti komercģlām vajadzģbām.

## <LIETUVIŠKAI>

Originalas yra angļu k. Versijos kitomis kalbomis yra originalo vertimas.

### ▲ ATSARGIAI

- Dēl šaltneģio nuotėkio galima uždusti. Išvėdinkite patalpą pagal EN378-1.
- Būtinai vamzdelius apvyniokite izoliacija. Prisielietus prie plikų vamzdelių galima nusideģinti arba nušalti.
- Siekdami išvėgti atsitiktinio prarģjimo, niekada nedėkite baterģjų į burną.
- Prarģjus baterģjā galima užspringti ir / arba apsinuodyti.
- Įrenginį sumontuokite ant tvirtos struktūros, kad nesigirdėtų pernelyg didelio veikimo triukģmo ar vibracijos.
- A svertinis garso slėgio lygis nesiekia 70 dB;
- Šis prietaisas skirtas naudoti specialistui ar išmokytiems naudotojams dirbtuvėse, lengvojoje pramonėje arba komercģniam naudojimui nespecialistams.

## <HRVATSKI>

Tekst je izvorno napisan na engleskom jeziku. Tekst na ostalim jezicima predstavlja prijevod izvorno napisanog teksta.

### ▲ OPREZ

- Curenje rashladnog sredstva može uzrokovati gušenje. Osigurajte ventilaciju u skladu s normom HR EN378-1.
- Obavezno stavite izolaciju oko položenih cijevi. Izravni doticaj s golim cijevima može dovesti do opekline ili smrzavanja.
- Nikada ne stavljajte baterije u usta ni zbog kojeg razloga kako biste izbjegli slučajno gutanje.
- Gutanje baterija može prouzročiti gušenje i/ili trovanje.
- Postavite jedinicu na čvrstu strukturu kako biste izbjegli prebučan zvuk tijekom rada ili pojavu vibracija.
- Razina zvučnog tlaka A niža je od 70dB.
- Ovaj uređaj mogu upotrebljavati stručnjaci ili osposobljeni korisnici u trgovinama, lakoj industriji i na poljoprivrednim gospodarstvima ili laici u komercijalne svrhe.

## <SRPSKI>

Prevod originala. Verzije na drugim jezicima su prevodi originala.

### ▲ OPREZ

- Curenje rashladne tečnosti može da dovede do gušenja. Obezbedite ventilaciju u skladu sa EN378-1.
- Obavezno obmotajte izolaciju oko cevi. Direktn kontakt sa golom cevju može izazvati opekotine ili promrzline.
- Nikada nemojte stavljati baterije u usta iz bilo kog razloga, kako bi se sprečilo slučajno gutanje.
- Gutanje baterija može da izazove gušenje i/ili trovanje.
- Ugradite jedinicu na čvrstu strukturu kako biste sprečili previše jak zvuk rada ili vibracije.
- A-ponderisani nivo jačine pritiska zvuka je ispod 70 dB.
- Ovaj uređaj je namenjen za upotrebu od strane stručnih ili obučanih korisnika u prodavnicama, u lakoj industriji i na farmama ili za komercijalnu upotrebu od strane nekvalifikovanih lica.

Please be sure to put the contact address/telephone number on this manual before handing it to the customer.

**mitsubishi electric corporation**

HEAD OFFICE: TOKYO BUILDING, 2-7-3, MARUNOUCHI, CHIYODA-KU, TOKYO 100-8310, JAPAN

# Air to Water Heat Pump SUZ-SWM·VA(H) series SUZ-SHWM·VAH series

INSTALLATION MANUAL	FOR INSTALLER	English
INSTALLATIONSHANDBUCH	FÜR INSTALLATEURE	Deutsch
MANUEL D'INSTALLATION	POUR L'INSTALLATEUR	Français
INSTALLATIEHANDLEIDING	VOOR DE INSTALLATEUR	Nederlands
MANUAL DE INSTALACIÓN	PARA EL INSTALADOR	Español
MANUALE DI INSTALLAZIONE	PER L'INSTALLATORE	Italiano
ΕΓΧΕΙΡΙΔΙΟ ΟΔΗΓΙΩΝ ΕΓΚΑΤΑΣΤΑΣΗΣ	ΓΙΑ ΑΥΤΟΝ ΠΟΥ ΚΑΝΕΙ ΤΗΝ ΕΓΚΑΤΑΣΤΑΣΗ	Ελληνικά
MANUAL DE INSTALAÇÃO	PARA O INSTALADOR	Português
INSTALLATIONSMANUAL	TIL INSTALLATØREN	Dansk
INSTALLATIONSMANUAL	FÖR INSTALLATÖREN	Svenska
MONTAJ ELKİTABI	MONTÖR İÇİN	Türkçe
РУКОВОДСТВО ПО УСТАНОВКЕ	ДЛЯ УСТАНОВИТЕЛЯ	Русский
ПОСІБНИК З УСТАНОВЛЕННЯ	ДЛЯ СПЕЦІАЛІСТА З МОНТАЖУ	Українська
РЪКОВОДСТВО ЗА МОНТАЖ	ЗА МОНТАЖНИКА	Български
INSTRUKCJA MONTAŻU	DLA INSTALATORA	Polski
INSTALLASJONSHÅNDBOK	FOR MONTØR	Norsk
ASENNUSOPAS	ASENTAJALLE	Suomi
INSTALAČNÍ PŘÍRUČKA	PRO MONTÁŽNÍ PRACOVNÍKY	Čeština
NÁVOD NA INŠTALÁCIU	PRE MONTÉRA	Slovenčina
TELEPÍTÉSI KÉZIKÖNYV	A TELEPÍTŐ RÉSZÉRE	Magyar
NAMESTITVENI PRIROČNIK	ZA MONTERJA	Slovenščina
MANUAL DE INSTALARE	PENTRU INSTALATOR	Română
PAIGALDUSJUHEND	PAIGALDAJALE	Eesti
MONTĀŽAS ROKASGRĀMATA	UZSTĀDĪŠANAS SPECIĀLISTAM	Latviski
MONTAVIMO VADOVAS	SKIRTA MONTUOTOJUI	Lietuviškai
PRIRUČNIK ZA POSTAVLJANJE	ZA INSTALATERA	Hrvatski
UPUTSTVO ZA UGRADNJU	ZA MONTERA	Srpski

1. Drošības pasākumi	1	6. Elektromontāža	9
2. Uzstādīšanas vietas izvēle	3	7. Apkope	10
3. Uzstādīšanas shēma	5	8. Darbi ar ūdens caurulēm	11
4. Ārējās iekārtas drenāžas caurules	5	9. Atsūkņēšana uz ārējo iekārtu	13
5. Aukstumaģenta cauruļu montāža	6	10. Specifikācijas	14



**Piezīme.** Šis simbols attiecas tikai uz ES valstīm.

Šis simbola marķējums atbilst Direktīvas 2012/19/ES 14. pantam „Informācija lietotājiem” un IX pielikumam.

Šis „MITSUBISHI ELECTRIC” iekārtas ražošanā izmantoti kvalitatīvi materiāli un detaļas, ko var pārstrādāt un izmantot atkārtoti.

Šis simbols nozīmē, ka elektriskos un elektroniskos komponentus to darbību beigās nedrīkst izmest kā parastos mājāsaimniecības atkritumus.

Lūdzu, utilizējiet šo iekārtu, nododot to vietējā atkritumu savākšanas/pārstrādes centrā.

Eiropas Savienībā ir ieviestas atsevišķas atkritumu savākšanas sistēmas nelielajiem elektroniskajiem un elektriskajiem izstrādājumiem.

Palīdziet saudzēt apkārtējo vidi, kurā mēs visi dzīvojam!

## UZMANĪBU.

• Neizlaidiet R32 gāzi atmosfērā.

## 1. Drošības pasākumi

- ▶ Pirms iekārtas uzstādīšanas pilnībā izskatiet sadaļu “Drošības pasākumi”.
- ▶ Pirms pievienojat šo iekārtu elektrotīklam, paziņojiet par to attiecīgajai par elektrības piegādi atbildīgajai iestādei vai saņemiet tās atļauju.

### BRĪDINĀJUMS.

Piesardzības pasākumi, kas jāņem vērā, lai nepieļautu lietotāja traumu vai nāves risku.

### UZMANĪBU.

Piesardzības pasākumi, kas jāņem vērā, lai novērstu bojājumu risku iekārtai.

Pēc montāžas izskaidrojiet klientam sadaļā “Drošības pasākumi” sniegto informāciju, kā arī iekārtas lietošanas un apkopes principus atbilstīgi informācijai lietošanas rokasgrāmatā un veiciet iekārtas darbības pārbaudi, lai pārliecinātos par pareizu darbību. Gan “Montāžas rokasgrāmata”, gan “Lietošanas rokasgrāmata” ir jānodod lietotāja rīcībā. Šīs rokasgrāmatas ir jānodod tālāk arī nākamajiem iespējamajiem lietotājiem.

⚠ : daļa, kurai nepieciešams zemējums.

### BRĪDINĀJUMS.

Rūpīgi izpētiet uz galvenās iekārtas redzamās etiķetes.

Ⓞ : Norāda uz brīdinājumiem un piesardzības pasākumiem, lietojot aukstumaģentu R32.

## UZ IEKŠĒJĀS UN/VAI ĀRĒJĀS IEKĀRTAS IZVIETOTO SIMBOLU NOZĪME

	<b>BRĪDINĀJUMS</b> (Aizdegšanās risks)	Šis marķējums attiecas tikai uz R32 aukstumaģentu. Aukstumaģenta veids ir norādīts ārējās iekārtas datu plāksnē. Ja norādīts aukstumaģents R32, tas nozīmē, ka iekārtā tiek izmantots uzliesmojošs aukstumaģents. Ja aukstumaģents noplūst un nokļūst saskarē ar liesmu vai sildelementu, rodas bīstama gāze; pastāv aizdegšanās risks.
		Pirms lietošanas rūpīgi izlasiet LIETOŠANAS ROKASGRĀMATU.
		Pirms darba sākšanas apkopes speciālistam ir rūpīgi jāizlasa LIETOŠANAS ROKASGRĀMATA un MONTĀŽAS ROKASGRĀMATA.
		Plašāka informācija ir pieejama LIETOŠANAS ROKASGRĀMATĀ, MONTĀŽAS ROKASGRĀMATĀ un līdzīgos dokumentos.

### BRĪDINĀJUMS.

- Iekārtu nedrīkst uzstādīt pats lietotājs. Iekārtas montāžu un remontu uzticiet izplatītājam vai pilnvarotam tehniķim. Ja iekārta nav pareizi uzstādīta, iespējams ūdens noplūdes, elektrotriecienu vai aizdegšanās risks.
- Veicot montāžas un pārvietošanas darbus, ievērojiet montāžas rokasgrāmatā sniegtos norādījumus un izmantojiet īpaši darbam ar aukstumaģentu R32 piemērotus darbarīkus un cauruļu komponentus. Ja tiek izmantoti cauruļu komponenti, kas nav paredzēti lietošanai kopā ar aukstumaģentu R32, un iekārta nav pareizi uzstādīta, caurules var plīst un radīt bojājumus vai traumas. Papildus tam pastāv noplūdes, elektrotriecienu vai aizdegšanās risks.
- Iekārta ir jāuzstāda atbilstīgi norādēm, lai mazinātu bojājumu risku zemestrīces, viesuļvētras vai spēcīga vēja laikā. Nepareizi uzstādīta iekārta var nokrist, radot bojājumus vai izraisot traumas.
- Iekārta ir droši jāuzstāda uz konstrukcijas, kas spēj noturēt tās svaru. Ja iekārta ir uzstādīta uz nestabilas virsmas, tā var nokrist un izraisīt bojājumus vai traumas.
- Ja gaiss-ūdens tipa siltumsūkņi tiek uzstādīti mazā telpā, jāveic vajadzīgie pasākumi, lai nodrošinātu, ka aukstumaģenta noplūdes gadījumā tā koncentrācija telpā nepārsniedz drošības ierobežojumus. Konsultējieties ar izplatītāju par piemērotiem pasākumiem, lai novērstu pieļaujamās koncentrācijas pārsniegšanu. Ja aukstumaģentam noplūstot, tiek pārsniegts drošas koncentrācijas līmenis, var rasties bīstama situācija skābekļa trūkuma dēļ telpā.
- Ja darba laikā noplūst aukstumaģents, izvēdiniet telpu. Aukstumaģentam nokļūstot saskarē ar liesmu, rodas indīgas gāzes.

- Elektromontāža ir jāveic kvalificētam tehniķim, ievērojot vietējos tiesību aktus un šajā rokasgrāmatā sniegtos norādījumus. Iekārtas jādarbina, izmantojot īpaši šim nolūkam paredzētas elektroapgādes līnijas, un jāizmanto pareizais spriegums un jaudas slēdži. Elektroapgādes līnijas ar nepietiekamu jaudu vai nepareizu elektroinstalāciju var izraisīt elektrotriecienu vai ugunsgrēku.
- Lai savienotu aukstumaģenta vara vai vara sakausējuma bezšuvju caurules, izmantojiet C1220 vara-fosfora materiālu. Ja caurules nav pareizi pievienotas, ierīce nebūs pareizi iezemēta, un tas var izraisīt elektrotriecienu.
- Šo iekārtu paredzēts lietot speciālistiem vai apmācītiem lietotājiem veikalos, vieglās rūpniecības telpās un lauksaimniecības fermās, kā arī to var lietot nespeciālisti komerciālām vajadzībām.
- Vadojumam izmantojiet tikai norādītos kabeļus. Vadu savienojumiem ir jābūt drošiem bez slodzes savienojumu vietās ar spaiļu bloku. Vadus nedrīkst savienot pinot (ja vien šajā dokumentā nav norādīts citādi). Ja šie norādījumi netiek ievēroti, iespējama pārkaršana vai aizdegšanās.
- Ja barošanas vads ir bojāts, jāveic tā nomaņa, izmantojot ražotāja, tā servisa pārstāvja vai līdzvērtīgi kvalificētas personas pakalpojumus, lai izvairītos no bīstamām situācijām.
- Iekārta jāuzstāda saskaņā ar valsts elektroinstalācijas noteikumiem.
- Ārējās iekārtas spaiļu bloka pārsega panelim jābūt cieši piestiprinātam. Ja pārsega panelis ir uzstādīts nepareizi, un iekārtā iekļūst putekļi un mitrums, tas var izraisīt elektrotriecienu vai ugunsgrēku.



# 1. Drošības pasākumi

- Gaiss-ūdens tipa siltumsūkņa montāžas, pārvietošanas vai apkopes reizēs sistēmas uzpildīšanai izmantojiet tikai norādīto aukstumaģentu (R32). Nejauciet to ar cita veida aukstumaģentu un sekojiet, lai sistēmā neiekļūtu gaiss. Gaisam sajaucoties ar aukstumaģentu, sistēmā var rasties neparasti augsts spiediens, izraisot sprādzieni vai citas bīstamas situācijas. Lietojot aukstumaģentu, kas nav norādīts šai sistēmai, var rasties mehāniskas kļūdas, sistēmas atteice vai iekārtas bojājumi. Sliktākajā gadījumā var tikt būtiski ietekmēta iespēja droši lietot iekārtu.
- Izmantojiet tikai "Mitsubishi Electric" apstiprinātus piederumus, un sazinieties ar izplatītāju vai pilnvarotu tehniķi, lai tos uzstādītu. Ja piederumi nav pareizi uzstādīti, iespējams ūdens noplūdes, elektrotrieciena vai aizdegšanās risks.
- Nepārveidojiet iekārtu. Tas var izraisīt aizdegšanos, elektrošoku, traumas vai ūdens noplūdi.
- Pašam lietotājam aizliegts remontēt vai pārvietot iekārtu uz citu vietu. Ja iekārta nav pareizi uzstādīta, iespējams ūdens noplūdes, elektrotrieciena vai aizdegšanās risks. Ja gaiss-ūdens tipa siltumsūknis jālabo vai jāpārvieto, vērsieties pie izplatītāja vai pilnvarota tehniķa.
- Ja dzesēšanas kontūrā ir noplūde, NEDRĪKST atsūknēt, izmantojot kompresoru.
- Kad tiek atsūknēts aukstumaģents, vispirms izslēdziet kompresoru un tikai tad atvienojiet aukstumaģenta caurules. Pastāv kompresora sprādziena risks, tajā iekļūstot gaisam u. c. vielām.
- Kad montāža ir pabeigta, pārbaudiet, vai nav radusies aukstumaģenta noplūde. Ja aukstumaģents noplūst telpā un nokļūst saskarē ar sildītāja liesmu vai plīts sildvirsmu, rodas indīgas gāzes.
- Iekārtas ātrāki atkausēšanai vai tīrīšanai atļauts izmantot tikai ražotāja ieteiktos līdzekļus.
- Iekārtu nedrīkst uzglabāt telpā, kurā nepārtraukti darbojas citas ierīces, kas var radīt aizdegšanos (piemēram, ierīces ar atklātu liesmu, gāzes iekārtas vai elektriskie sildītāji).
- Necaurduriet un nededziniet.
- Ņemiet vērā, ka aukstumaģentiem var nebūt smaržas.
- Cauruļu sistēma ir jāaizsargā pret fiziskiem bojājumiem.
- Cauruļu sistēma jāveido pēc iespējas īsāka.
- Ir jānodrošina atbilstība valsts noteikumiem par gāzes lietošanu.
- Ventilācijas atveres nedrīkst būt bloķētas.
- Aukstumaģenta cauruļu lodēšanai neizmantojiet zemas temperatūras lodēšanas sakausējumus.
- Lodēšanas procesā nodrošiniet piemērotu telpas ventilāciju. Tuvumā nedrīkst atrasties bīstami vai uzliesmojoši materiāli.
- Veicot darbus slēgtā, mazā vai līdzīga veida telpā, pirms darbu sākšanas pārliecinieties, vai nav radusies aukstumaģenta noplūde. Ja aukstumaģents noplūst un uzkrājas, tas var aizdegties vai var sākt veidoties indīgas gāzes.
- Iekārta ir jāuzstāda labi vēdinātā telpā, kuras izmēri atbilst instrukcijās norādītajam darbībai piemērotajam telpas izmēram.
- Vietā, kur veiksiet montāžu, remontu vai citus ar gaiss-ūdens tipa siltumsūkni saistītus darbus, nedrīkst atrasties gāzes dedzināšanas iekārtas, elektriskie sildītāji vai citi liesmas (aizdegšanās) avoti.
- Aukstumaģentam nokļūstot saskarē ar liesmu, rodas indīgas gāzes.
- Nesmēķējiet iekārtas lietošanas un transportēšanas laikā.
- Nepievienojiet aukstumaģentu vairāk par maksimālo daudzumu katrai ārējai iekārtai. Ja tiek pārsniegts maksimālais aukstumaģenta daudzums, tad noplūšanas gadījumā var tikt izraisīta aizdegšanās.

## 1.1. Pirms montāžas

### UZMANĪBU.

- Neizmantojiet iekārtu netipiskā vidē. Ja gaiss-ūdens tipa siltumsūknis tiek uzstādīts vietās, kur tas pakļauts tvaika, gaistošas eļļas (ieskaitot mašīneļļu) vai sēra dioksīda iedarbībai, vai vietās ar augstu sāls saturu gaisā, piemēram, jūras piekrastē, vai arī vietās, kur iekārtu pārklās sniegs, iekārtas veiktspēja var ievērojami mazināties un tās iekšējās detaļas var tikt bojātas.
- Neuzstādiet iekārtu vietās, kur iespējama deggāzes noplūde, veidošanās, plūsma vai uzkrāšanās. Ja iekārtas tuvumā uzkrājas deggāze, pastāv aizdegšanās vai sprādziena risks.
- Ārējā iekārta apsildes režīmā izraisa kondensāciju. Pārliecinieties, ka ap ārējo iekārtu ir nodrošināta drenāža, ja šāda kondensācija var izraisīt bojājumus.
- Uzstādot iekārtu slimnīcā vai sakaru centrālē, ņemiet vērā iekārtas radīto troksni un elektroniskos traucējumus. Invertori, sadzīves iekārtas, augstas frekvences medicīnas iekārtas un radiosakaru aprīkojums var izraisīt gaiss-ūdens tipa siltumsūkņa atteici vai saplīšanu. Turklāt gaiss-ūdens tipa siltumsūknis var ietekmēt medicīnas iekārtas, traucējot medicīnisko aprūpi, vai sakaru aprīkojumu, pasliktinot attēla kvalitāti.

## 1.2. Pirms montāžas (pārvietošanas)

### UZMANĪBU.

- Iekārtu transportēšanas vai uzstādīšanas laikā ievērojiet īpašu piesardzību. Iekārtas pārvietošanai vajadzēs vismaz divus cilvēkus, jo tā sver 20 kg vai vairāk. Nenesiet iekārtu, satverot iepakojuma saites. Izmantojiet aizsargcimdus, lai izņemtu iekārtu no iepakojuma un to pārvietotu, jo pret rievām vai citu daļu malām var savainot rokas.
- Pareizi izmetiet atkritumos iepakojuma materiālus. Iepakojuma materiāli, piemēram, naglas vai citas metāla vai koka detaļas var radīt durtus vai cita veida ievainojumus.
- Ārējās iekārtas pamatne un stiprinājumi periodiski jāpārbauda attiecībā uz nestabilitāti, plaisām vai citiem bojājumiem. Ja šādi defekti netiek novērsti, iekārta var nokrist un radīt bojājumus vai traumas.
- Netīriet gaiss-ūdens tipa siltumsūkni ar ūdeni. Pastāv elektrotrieciena risks.
- Ar momentaslēgu pievelciet visus koniskos uzgriežņus atbilstoši specifikācijai. Ja koniskie uzgriežņi tiek pievilkti pārāk stipri, tie pēc kāda laika var pārlūzt, un aukstumaģents var izplūst ārā.

## 1.3. Pirms elektromontāžas

### UZMANĪBU.

- Noteikti uzstādiet jaudas slēdzus. Ja tie nav uzstādīti, pastāv elektrotrieciena risks.
- Elektroapgādes līnijām izmantojiet standarta kabeļus ar pietiekamu kapacitāti. Pretējā gadījumā iespējami īssavienojumi, pārkaršana vai aizdegšanās.
- Ievelkot elektroapgādes līnijas, raugieties, lai tās nebūtu nospriegotas. Ja savienojumi ir kļūvuši vaļīgi, kabeļi var pārlūzt vai sabojāties, tādējādi izraisot pārkaršanu vai ugunsgrēku.
- Noteikti zemējiet iekārtu. Nesavienojiet zemējuma vadu ar gāzes līniju, ūdens caurulēm, zibensnovedējiem vai tālruņa zemējuma līnijām. Ja iekārta nav pareizi zemēta, pastāv elektrotrieciena risks.
- Izmantojiet norādītā sprieguma jaudas slēdžus (zemesslēgumaizsardzības pārtraucēju, izolējošo slēdzi (+B drošinātāju) un lietā korpusa jaudas slēdzi). Ja jaudas slēdža spriegums pārsniedz norādīto spriegumu, iespējama aizdegšanās vai iekārtas atteice.

# 1. Drošības pasākumi

## 1.4. Pirms darbības pārbaudes uzsākšanas

### ⚠ UZMANĪBU.

- Galveno barošanas slēdzi ieslēdziet ne vēlāk kā 12 stundas pirms darbības sākšanas. Ja darbība tiek uzsākta, tiklīdz ir ieslēgts barošanas slēdzis, var rasties nopietni iekšējo detaļu bojājumi. Izmantošanas periodā atstājiet galveno barošanas slēdzi ieslēgtu.
- Pirms darbības sākšanas pārbaudiet, vai visi paneļi, aizsargi un citi aizsargelementi ir pareizi uzstādīti. Rotējošas, karstas vai augsta sprieguma detaļas var izraisīt traumas.

- Nepieskarieties slēdzim ar mitrām rokām. Pastāv elektrotrieciena risks.
- Darbības laikā nepieskarieties aukstumaģenta caurulēm ar kailām rokām. Aukstumaģenta caurules ir karstas vai aukstas atkarībā no tajās plūstošā aukstumaģenta stāvokļa. Pieskaroties caurulēm, var gūt apdegumus vai apsaldējumus.
- Kad iekārtas darbība apturēta, nogaidiet vismaz piecas minūtes un tikai tad izslēdziet galveno barošanas slēdzi. Pretējā gadījumā iespējama ūdens noplūde vai iekārtas atteice.

## 1.5. Aukstumaģenta R32 lietošana gaiss-ūdens tipa siltumsūkņim

### ⚠ UZMANĪBU.

- Lai savienotu aukstumaģenta vara vai vara sakausējuma bezšuvju caurules, izmantojiet C1220 vara-fosfora materiālu. Cauruļu iekšpusei ir jābūt tīrai, un tajās nedrīkst atrasties bīstami svešķermeņi, piemēram, sēra savienojumi, oksidētāji, gruži vai putekļi. Izmantojiet norādītā biezuma caurules. (Skatiet 4.1. punktu.) Atkārtoti izmantojot esošas caurules, kuras iepriekš saturējušas aukstumaģentu R22, ievērojiet turpmākos nosacījumus.
  - Nomainiet esošos koniskos uzgriežņus un vēlreiz izlīdziniet paplašinātās sadaļas.
  - Neizmantojiet plānas caurules. (Skatiet 4.1. punktu.)
- Uzglabājiet uzstādīšanai izmantojamās caurules iekštelpās un nodrošiniet, ka abi cauruļu gali ir noslēgti līdz pat pašam lodēšanas brīdim. (Atstājiet kloksavienojumus utt. to iepakojumos.) Ja aukstumaģenta sistēmā iekļūst putekļi, gruži vai mitrums, tas var izraisīt eļļas novecošanu vai kompresora bojājumus.
- Paplašināto sadaļu apstrādei kā dzesēšanas sistēmas eļļu izmantojiet estereļļu, ētereļļu vai alkilbenzola eļļu (nelielā daudzumā). Ja aukstumaģenta eļļai ir piejaukta minerāleļļa, tas var izraisīt eļļas novecošanu.

- Apkope ir veicama, tikai ievērojot ražotāja ieteikumus.
- Neizmantojiet nevienu citu aukstumaģentu kā tikai aukstumaģentu R32. Ja tiek izmantots cita veida aukstumaģents, hlors var izraisīt eļļas kvalitātes pasliktināšanos.
- Izmantojiet tikai tālāk minētos darbarīkus, kas ir īpaši paredzēti lietošanai kopā ar aukstumaģentu R32.  
Aukstumaģenta R32 lietošanai ir nepieciešami turpmākie darbarīki. Ja jums radušies kādi jautājumi, sazinieties ar tuvāko izplatītāju.

Darbarīki (R32)	
Manometriskais kolektors	Cauruļu paplašinātājs
Uzpildes šļūtene	Izmēra pielāgošanas mērinstruments
Gāzes noplūdes noteicējs	Vakuumsūkņa adapteris
Momentatslēga	Elektroniskie aukstumaģenta uzpildes svāri

- Pārliecinieties, ka izmantojat atbilstošos darbarīkus. Ja aukstumaģenta sistēmā iekļūst putekļi, gruži vai mitrums, tas var izraisīt eļļas novecošanu.

## 2. Uzstādīšanas vietas izvēle

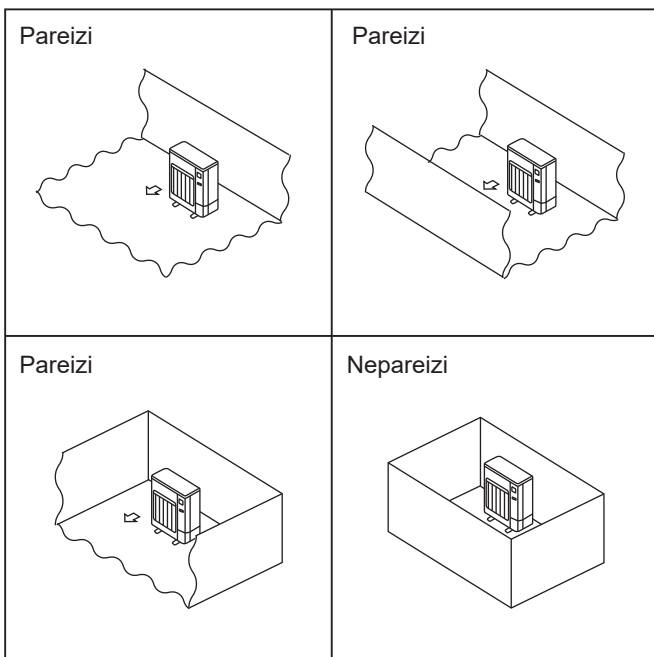


Fig. 2-1

### 2.1. Ārējā iekārta

- R32 ir smagāks par gaisu un citiem aukstumaģentiem, tāpēc tas uzkrājas apakšdaļā (grīdas tuvumā). Ja R32 uzkrājas ap pamatni mazā telpā, var tikt sasniegta sprādzienbīstama koncentrācija. Lai izvairītos no aizdegšanās, uzturiet darbības vietu drošu un nodrošiniet piemērotu ventilāciju. Ja aukstumaģenta noplūde tiek konstatēta telpā vai zonā ar nepietiekamu ventilāciju, neizmantojiet atklātu liesmu, līdz darbības zonā nav nodrošināta piemērota ventilācija.
  - Vietā, kur iekārta nav pakļauta spēcīga vēja ietekmei.
  - Vietā, kur gaisā nav putekļu un ir piemērota gaisa plūsma.
  - Kur tas neizraisa īsu gaisa ciklu.
  - Vietā, kur kaimiņiem netraucēs darbības skaņa vai siltā gaisa plūsma.
  - Vietā, kur sienu stiprinājumi ir pietiekami stipri, lai novērstu darbības skaļuma vai vibrāciju palielināšanos.
  - Vietā, kur nepastāv deggāzes noplūdes risks.
  - Ja uzstādāt iekārtu augstu virs zemes, noteikti nostipriniet iekārtas kājas.
  - Vietā, kur iekārta atrodas vismaz 3 m attālumā no televizora vai radio antenas. (Citādi var tikt kropļots attēls vai rasties trokšņi.)
  - Uzstādiet iekārtu vietā, kur tā ir pasargāta no sniega un puteņa. Reģionos, kuros novērojama spēcīga snigšana, uzstādiet jumtiņu, pamatni un/vai sānu aizsargplātni.
  - Uzstādiet iekārtu horizontāli.
  - Ir jānodrošina pieeja aukstumaģenta cauruļu savienojumiem apkopes veikšanai.
- © Ārējās iekārtas uzstādiet tādās vietās, kur vismaz vienā no iekārtas četrām sāniem ir brīva telpa, un visa telpa kopumā ir pietiekami liela un bez padziļinājumiem. (Fig. 2-1)

### ⚠ UZMANĪBU.

Neuzstādiet gaiss-ūdens tipa siltumsūkni tālāk norādītajās vietās, jo var rasties iekārtas darbības problēmas.

- Vietās, kur ir daudz mašīneļļas.
- Sāļa vidē, piemēram, jūras tuvumā.
- Karsto avotu tuvumā.
- Vietās, kur izdalās sērūdeņraža gāze.
- Citās vietās ar īpašu atmosfēru.

Ārējā iekārta apsildes režīmā izraisa kondensāta rašanos. Ārējo iekārtu uzstādiet tādā vietā, lai pašu iekārtu un zonu ap to nesasalpinātu novadītais ūdens un netiktu radīti bojājumi, ja šis ūdens sasaltu.

## 2. Uzstādīšanas vietas izvēle

### 2.2. Minimālā uzstādīšanas vieta

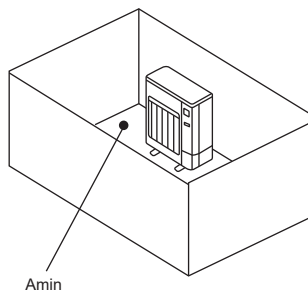
Ja iekārta neizbēgami jāuzstāda telpā, kur visi četri iekārtas sāni ir bloķēti vai kurā ir padziļinājumi, ir jānodrošina atbilstība vismaz kādai no tālāk norādītajām situācijām (A, B vai C).

**Piezīme.** Šīs prasības ir paredzētas drošībai, un tās nav jāizpilda, lai nodrošinātu specifikācijā norādīto parametru izpildi.

A) Nodrošiniet pietiekami daudz telpas iekārtas uzstādīšanai (minimālā montāžas zona Amin).

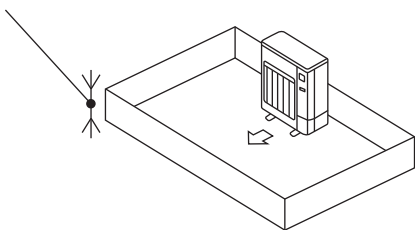
Montāžu veiciet telpā, kuras platība atbilst Amin vērtībai vai pārsniedz to, atbilstoši aukstumaģenta daudzumam M (rūpnīcā iepildītais aukstumaģents + objekta pievienotais aukstumaģents).

M [kg]	Amin [m <sup>2</sup> ]
1,0	12
1,5	17
2,0	23
2,5	28
3,0	34
3,5	39
4,0	45
4,5	50
5,0	56
5,5	62
6,0	67
6,5	73
7,0	78
7,5	84

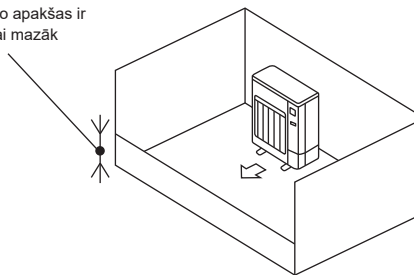


B) Uzstādiet iekārtu vietā, kur padziļinājums nepārsniedz  $\leq 0,125$  [m].

Augstums no apakšas ir  
0,125 [m] vai mazāk



Augstums no apakšas ir  
0,125 [m] vai mazāk

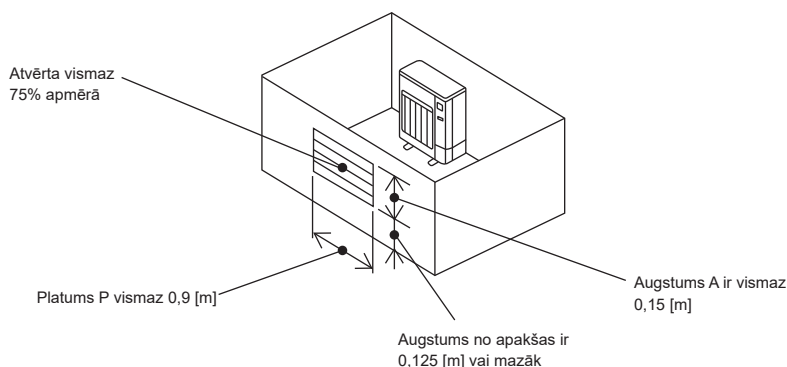


C) Nodrošiniet piemērotu ventilācijas atveri.

Atveres platumam jābūt vismaz 0,9 [m] un augstumam vismaz 0,15 [m].

Taču augstums no uzstādīšanas vietas pamatnes līdz atveres apakšmalai nedrīkst pārsniegt 0,125 [m].

Atvērtajai zonai ir jābūt atvērtai vismaz 75% apmērā.



**Piezīme.** Aukstumaģenta R32 lietošana nerada nekādus iekšējās iekārtas uzstādīšanas ierobežojumus.

Skatiet iekšējās iekārtas montāžas rokasgrāmatu un pārbaudiet nepieciešamo uzstādīšanas vietas platību.

### 3. Uzstādīšanas shēma

#### 3.1. Ārējā iekārta (Fig. 3-1)

Ventilācijai un apkopei nepieciešamā telpa

- Ⓐ 100 mm vai vairāk
- Ⓑ 350 mm vai vairāk
- Ⓒ 500 mm vai vairāk

Ja caurules paredzēts piestiprināt pie sienas, kurā ir metāla elementi (skārda plāksnes) vai metāla sieti, starp sienu un caurulēm ievietojiet ķīmiski apstrādātu koka plāksni (20 mm vai biezāku) vai ap caurulēm 7–8 kārtās aptiniet vinila izolācijas lentu.

Iekārtas drīkst uzstādīt licencēts speciālists atbilstoši vietējo noteikumu prasībām.

**Piezīme.**

Ja izmantojat gaiss–ūdens tipa siltumsūkni, kad ārā ir zema temperatūra, ievērojiet tālāk sniegtos norādījumus.

- Neuzstādiēt ārējo iekārtu vietā, kur gaisa ievads/izvads varētu būt tieši pakļauts vēja iedarbībai.
- Lai pasargātu gaisa ievadu no vēja iedarbības, uzstādiēt ārējo iekārtu tā, lai ievads būtu vērsts pret sienu.
- Lai pasargātu gaisa izvadu no vēja iedarbības, attiecīgajā ārējās iekārtas pusē ieteicams uzstādiēt aizsargplātni.

■ SUZ-SWM80VA2, SUZ-SWM80VAH2, SUZ-SWM100VA, SUZ-SWM100VAH, SUZ-SHWM60VAH

■ SUZ-SWM30VA, SUZ-SWM40VA2, SUZ-SWM60VA2, SUZ-SHWM30VAH, SUZ-SHWM40VAH

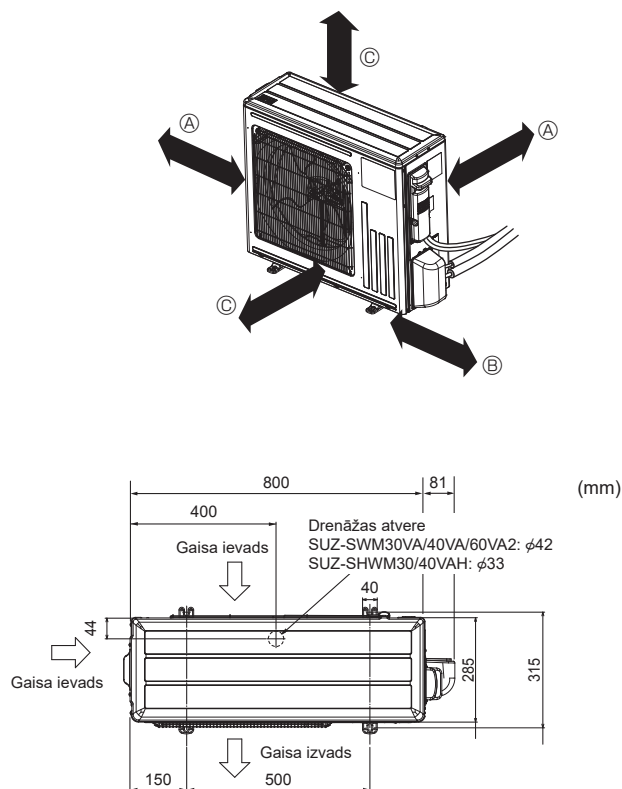
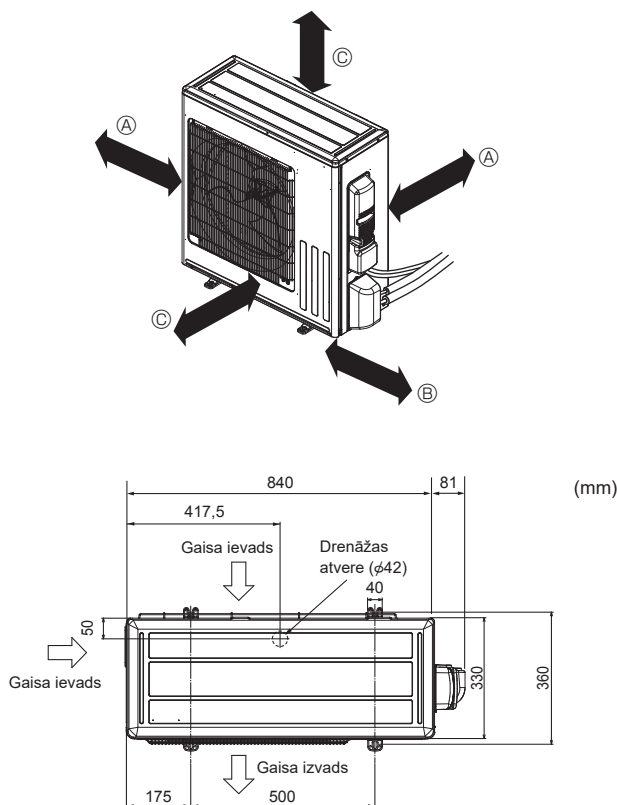


Fig. 3-1

### 4. Ārējās iekārtas drenāžas caurules (Fig. 4-1)

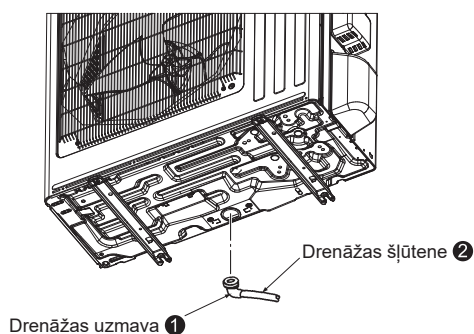


Fig. 4-1

#### 4.1. Papildpiederumi

Pirms montāžas pārbaudiet, vai ir pieejamas visas detaļas.

<Ārējā iekārta>

①	Drenāžas uzdeva	1
---	-----------------	---

- Uzstādiēt drenāžas caurules, pirms ir savienotas iekšējās un ārējās iekārtas caurules. (Būs grūti uzstādiēt drenāžas uzdevu ①, ja iekšējās un ārējās iekārtas caurules ir savienotas pirms drenāžas cauruļu uzstādīšanas, jo tad ārējo iekārtu vairs nevar pārvietot.)
- Pievienojiet drenāžas šļūteni ② (iegādājama veikalā, iekšējais diametrs: 15 mm), kā norādīts attēlā par drenāžu.
- Drenāžas caurulēm jābūt vērstām uz leju, lai atvieglotu šķidruma plūšanu.

**Piezīme.**

Neizmantojiet drenāžas uzdevu ① reģionos ar aukstiem laikapstākļiem. Tā var aizsaldēt un izraisīt ventilatora apstāšanos. Drenāžas uzdeva nav iekļauta SHWM sērijā.

## 5. Aukstumaģenta cauruļu montāža

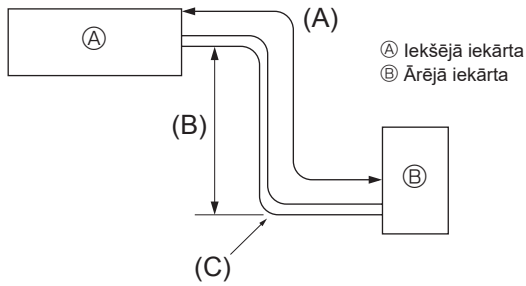


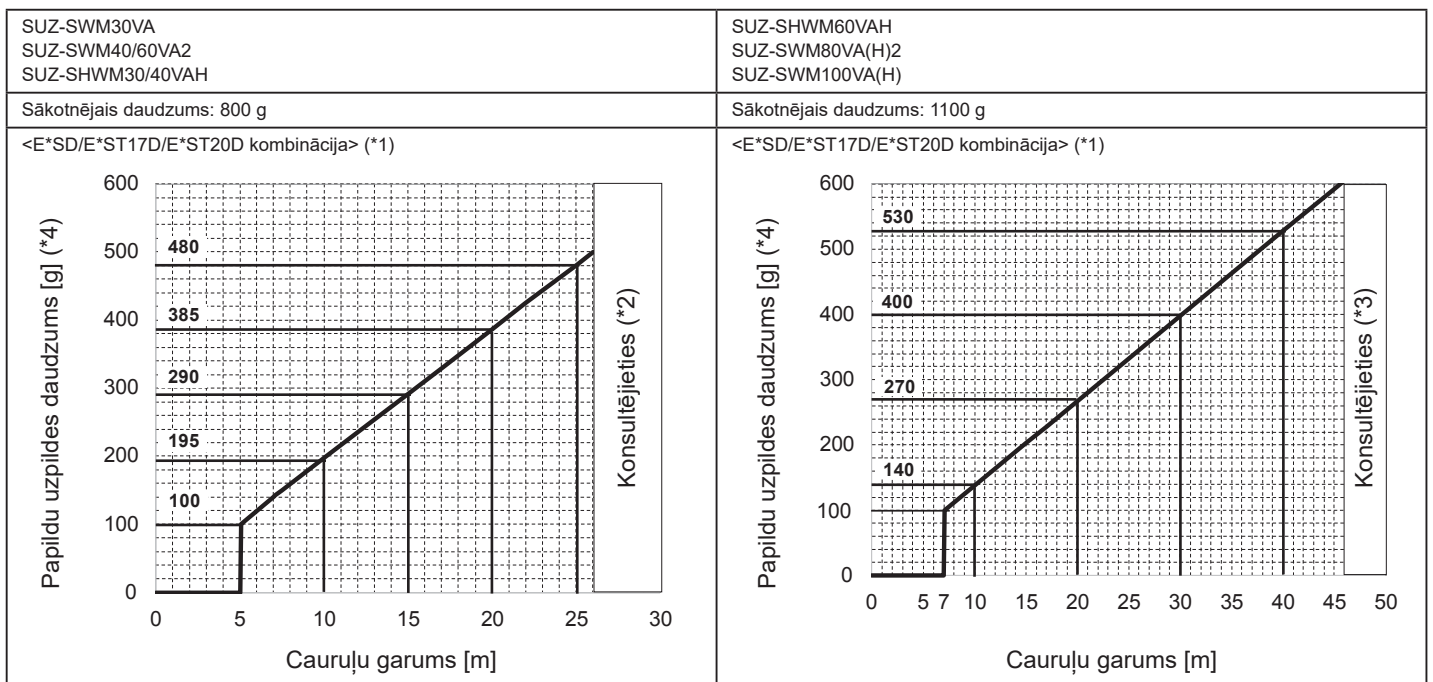
Fig. 5-1

### 5.1. Aukstumaģenta caurule (Fig. 5-1)

► Pārbaudiet, vai iekšējās un ārējās iekārtas augstuma atšķirība, aukstumaģenta caurules garums un caurules līkumu skaits atbilst tālāk minētajiem ierobežojumiem.

Modeļi	(A) Cauruļu garums (vienā virzienā)	(B) Augstuma atšķirība	(C) Līkumu skaits (vienā virzienā)
SUZ-SWM30VA SUZ-SHWM30VAH SUZ-SWM40VA2 SUZ-SHWM40VAH SUZ-SWM60VA2 SUZ-SHWM60VAH	2 m - 26 m	Maks. 26 m	Maks. 10
SUZ-SWM80VA(H)2 SUZ-SWM100VA(H)	2 m - 46 m	Maks. 30 m	

• Augstuma atšķirības ierobežojumi jāievēro neatkarīgi no tā, kura iekārta, ārējā vai iekšējā, atrodas augstākā pozīcijā.



\*1. Ja izveidojat savienojumu ar E\*ST30D, saskaņā ar diagrammām VIENMĒR pievienojiet 50 g papildu uzpildei.

\*2. Ja cauruļvadu garums pārsniedz 26 m, noteikti konsultējieties ar mūsu speciālistu.

\*3. Ja cauruļvadu garums pārsniedz 46 m, noteikti konsultējieties ar mūsu speciālistu.

\*4. Pilnas uzpildes gadījumā: sākotnējais + papildu uzpildes apjoms

(1) Nākamajā tabulā ir sniegtas specifikācijas tirdzniecības vietās nopērkamajām caurulēm. (Fig. 5-2)

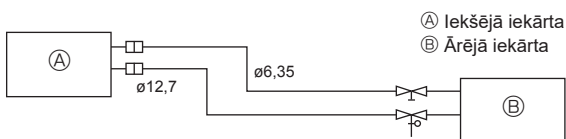


Fig. 5-2

Modelis	Cauruļvads	Ārējais diametrs		Min. sienas biezums	Izolācijas kārtas biezums	Izolācijas materiāls
		mm	collas			
Visi modeļi	Šķidrums	6,35	1/4	0,8 mm	8 mm	Siltumizturīgs putuplasts ar relatīvo blīvumu 0,045
	Gāzei	12,7	1/2	0,8 mm	8 mm	

(2) Pārlicinieties, vai abas aukstumaģenta caurules ir pienācīgi izolētas, lai novērstu kondensāciju.

(3) Aukstumaģenta cauruļu locīšanas rādiusam jābūt vismaz 100 mm.

### ⚠ UZMANĪBU.

Noteikti izmantojiet norādīta biezuma izolācijas materiālu. Pārmērīgs biezums kavē veikt uzkrāšanu aiz iekšējās iekārtas, savukārt pārāk mazs biezums nenovērš ūdens pilieni tecēšanu.

• Lai izvairītos no aizdegšanās, nodrošiniet pareizu ventilāciju. Kā arī ievērojiet visus pretaizdegšanās pasākumus un pārlicinieties, ka apkārtējā vidē nav bīstamu vai uzliesmojošu priekšmetu.

• Atkārtota R32 uzpilde apkopes laikā: Lai novērstu elektrisko dzirksteļu radīta sprādziena risku, pirms iekārtas atkārtotas uzpildes ar R32 apkopes laikā jānodrošina, ka iekārta ir 100 % atvienota no strāvas padeves avota.

• Izolācijas materiāliem jāatbilst turpmāk minētajām specifikācijām.

(1) Siltum pārneses koeficients: 0,040 W/mK vai mazāk

(2) Izolācijas kārtas biezums: 9 mm vai vairāk

(3) Siltumizturība: 110 °C vai vairāk

Ja cauruļu garums ārpusē pārsniedz 15 m, izolācijas kārtas biezumam jābūt vismaz 18 mm.

## 5. Aukstumaģenta cauruļu montāža

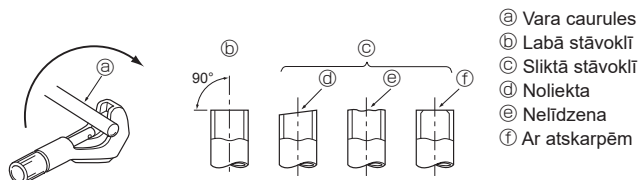


Fig. 5-3

- Ⓐ Vara caurules
- Ⓑ Labā stāvoklī
- Ⓒ Sliktā stāvoklī
- Ⓓ Nolieкта
- Ⓔ Nelīdzena
- Ⓕ Ar atskarpēm

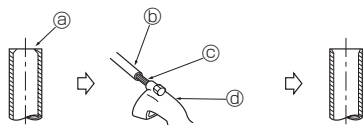


Fig. 5-4

- Ⓐ Atskarpe
- Ⓑ Vara caurule/  
cauruļvads
- Ⓒ Rezerves rīvurbis
- Ⓓ Cauruļu griezējs

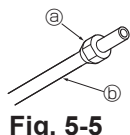


Fig. 5-5

- Ⓐ Koniskais  
uzgrieznis
- Ⓑ Vara caurule

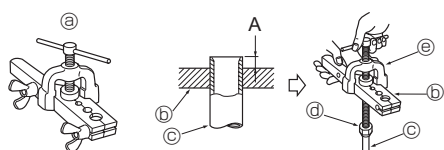


Fig. 5-6

- Ⓐ Cauruļu  
paplašinātājs
- Ⓑ Spiedveidne
- Ⓒ Vara caurule
- Ⓓ Koniskais  
uzgrieznis
- Ⓔ Apskava

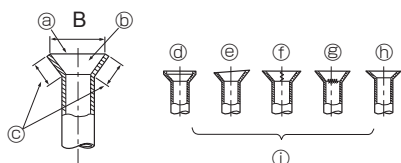


Fig. 5-7

### 5.2. Cauruļvadu paplašināšana

- Galvenais gāzes noplūdes iemesls ir kļūme cauruļvadu paplašināšanas procesā. Izpildiet cauruļvadu paplašināšanu pareizi, veicot tālākminētās darbības šādā secībā.

#### 5.2.1. Cauruļu griešana (Fig. 5-3)

- Izmantojot cauruļvadu griezēju, sagrieziet vara cauruli pareizi.

#### 5.2.2. Atskarpju noņemšana (Fig. 5-4)

- Pilnībā noņemiet atskarpes no apgriezās cauruļvada/caurules daļas.
- Kad noņemat atskarpes, turiet apstrādājamo vara caurules/cauruļvada galu uz leju, lai atskarpes neieķīlūtu caurule.

#### 5.2.3. Uzgriežņu uzlikšana (Fig. 5-5)

- Kad atskarpes likvidētas, noskrūvējiet koniskos uzgriežņus no iekšējās un ārējās iekārtas, un uzlieciet tos uz apstrādātā cauruļvada/caurules. (Pēc cauruļvada paplašināšanas uzgriežņus nevar uzlikt.)

#### 5.2.4. Paplašināšanas process (Fig. 5-6)

- Veiciet cauruļvadu paplašināšanu, izmantojot cauruļvadu paplašinātāju, kā parādīts attēlā kreisajā pusē.

Caurules diametrs (mm)	Izmērs	
	A (mm)	B <sup>+0,4</sup> <sub>-0,4</sub> (mm)
	Ja tiek izmantots darbarīks R32 sistēmai	
6,35	0–0,5	9,1
9,52	0–0,5	13,2
12,7	0–0,5	16,6
15,88	0–0,5	19,7

Stingri turiet vara cauruli uz spieduma raksta atbilstoši iepriekšējā tabulā norādītajiem izmēriem.

#### 5.2.5. Pārbaude (Fig. 5-7)

- Salīdziniet izveidoto paplašinājumu ar attēlu kreisajā pusē.
- Ja paplašinājums šķiet ar defektiem, nogrieziet paplašināto daļu un atkārtojiet paplašināšanas darbības.

- Ⓐ Viscaur gluds
- Ⓑ Iekšpusē ir spīdīga un bez skrāpējumiem
- Ⓒ Viscaur vienāds garums
- Ⓓ Pārmērīgs
- Ⓔ Slīps
- Ⓕ Skrāpējums uz paplašinātās plaknes
- Ⓖ Ieplaisājis
- Ⓖ Nelīdzens
- Ⓖ Neatbilstošu paplašinājumu piemēri

- Uz cauruļu saskares virsmas plānā kārtiņā uzklājiet dzesēšanas sistēmas eļļu. (Fig. 5-8)
- Lai izveidotu savienojumu, vispirms savietojiet centrus un tad ar 3–4 pilniem apgriezieniem pievelciet konisko uzgriezni.
- Iekšējās iekārtas sānu vītņsavienojuma pievilksanas griezes momentu skatiet tālāk parādītajā tabulā, un darbam izmantojiet divas uzgriežņu atslēgas. Pievelkot pārlieku stipri, tiek bojāts paplašinājums.

Vara caurules ĀD (mm)	Koniskā uzgriežņa ĀD (mm)	Pievilkšanas griezes moments (N·m)
ø6,35	17	14–18
ø9,52	22	34–42
ø12,7	26	49–61
ø15,88	29	68–82

### ⚠ BRĪDINĀJUMS.

Iekārtas montāžas gaitā pirms kompresora iedarbināšanas cieši pievienojiet aukstumaģenta caurules.

### ⚠ BRĪDINĀJUMS.

Ievērojiet piesardzību — spiediena ietekmē koniskais uzgrieznis var atvienoties! (Iekšējais spiediens)

Noņemiet konisko uzgriezni, kā paskaidrots tālāk.

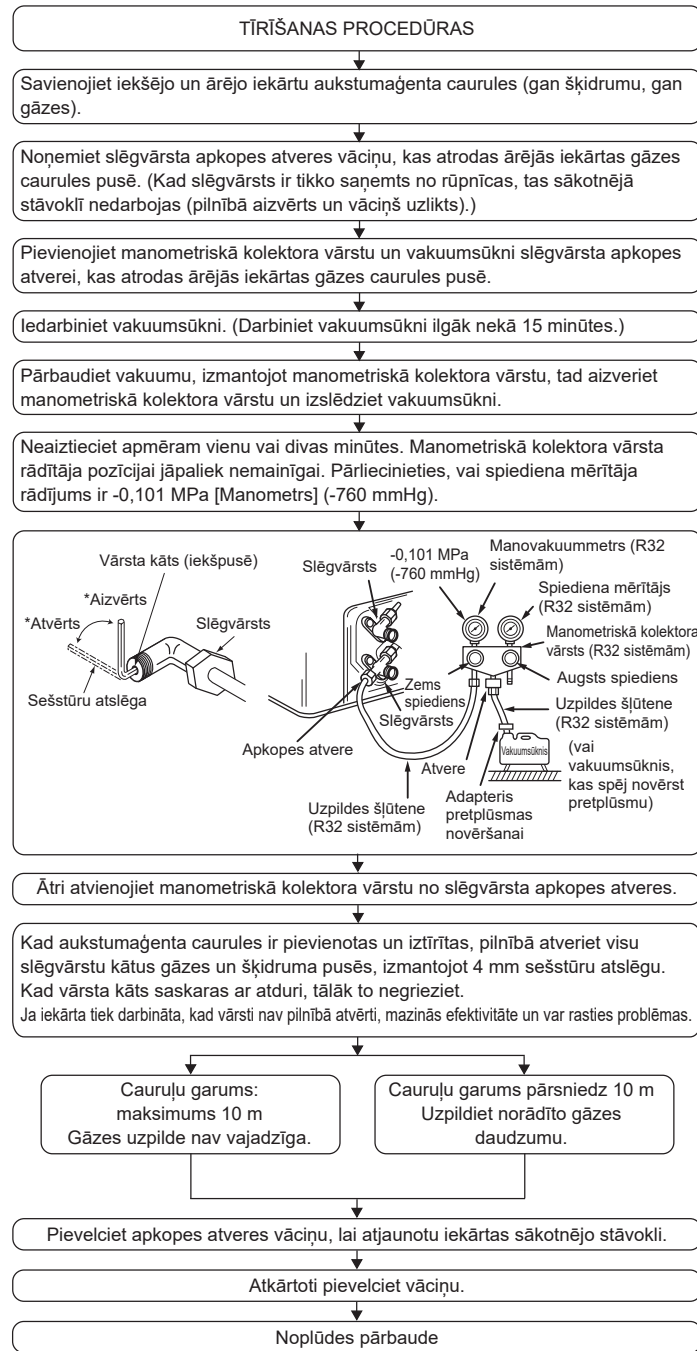
1. Atbrīvojiet uzgriezni, līdz dzirdama šņācoša skaņa.

2. Nenoņemiet uzgriezni, kamēr gāze nav pilnībā izplūdsi (t. i., noņemiet to, kad šņācoša skaņa vairs nav dzirdama).

3. Pārlicinieties, vai gāze ir pilnībā izplūdsi, un tad noņemiet uzgriezni.

## 5. Aukstumaģenta cauruļu montāža

### 5.3. Tīrīšana un noplūdes pārbaude

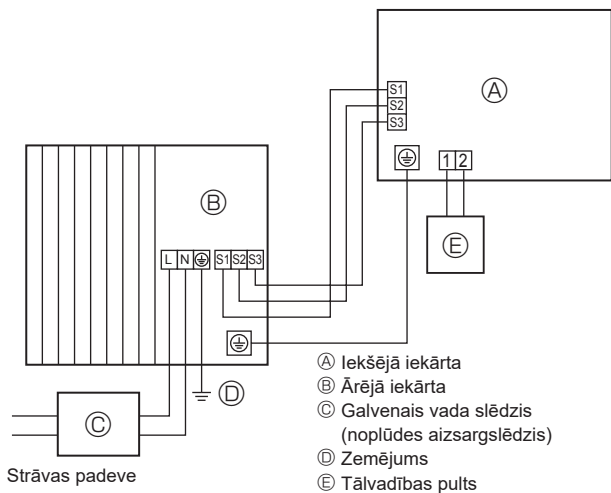


## 6. Elektromontāža

### 6.1. Ārējā iekārta (Fig. 6-1, Fig. 6-2, Fig. 6-3)

- ① Noņemiet apkopes paneli.
- ② Kabeļu vadojumam ir jāatbilst norādēm šādos attēlos Fig. 6-1, Fig. 6-2 un Fig. 6-3.

#### ■ SUZ-SHWM60VAH, SUZ-SWM80VA(H)2, SUZ-SWM100VA(H)



#### ■ SUZ-SHWM30/40VAH, SUZ-SWM30VA, SUZ-SWM40/60VA2

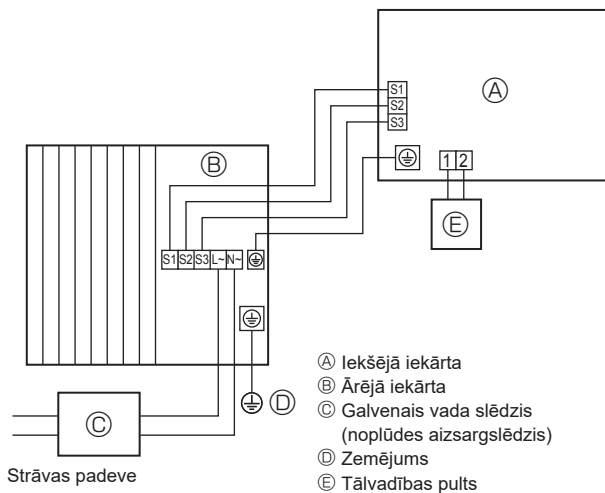


Fig. 6-1

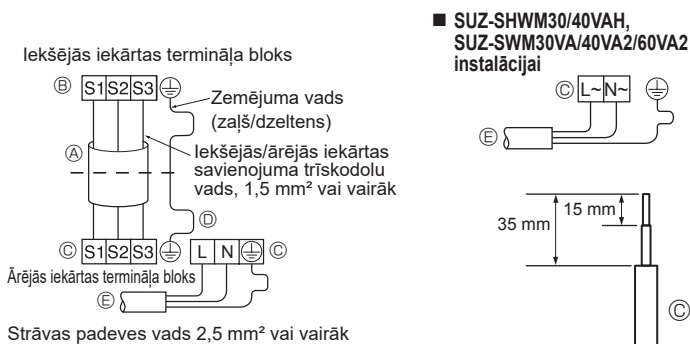
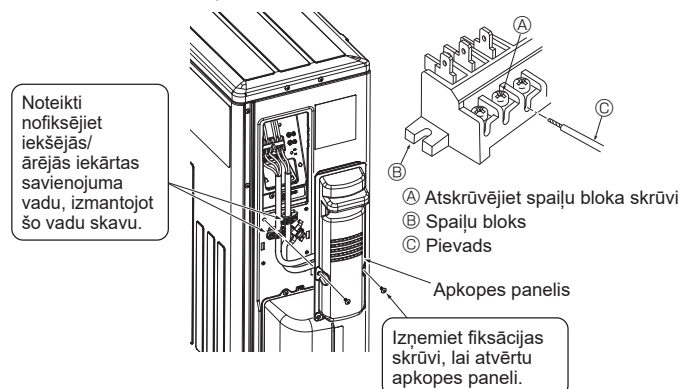


Fig. 6-2

#### ■ SUZ-SWM30VA, SUZ-SWM40VA2, SUZ-SWM60VA2, SUZ-SHWM30VAH, SUZ-SHWM40VAH



#### ■ SUZ-SWM80VA2, SUZ-SWM100VA, SUZ-SWM80VAH2, SUZ-SWM100VAH, SUZ-SHWM60VAH

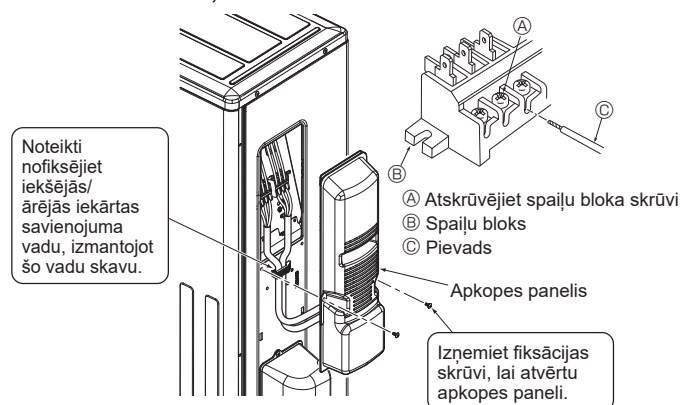


Fig. 6-3

- Vadojums jāuzstāda, ievērojot norādes attēlā apakšējā kreisajā pusē. (Kabelis ir jāiegādājas pašiem) (Fig. 6-2)

Pārliedzieties, ka tiek izmantoti pareizās polaritātes kabeli.

- A Savienojošais kabelis
- B Iekšējās iekārtas spaiļu bloks
- C Ārējās iekārtas spaiļu bloks
- D Zemējuma vadam vienmēr jābūt garākam par citiem kabeliem.
- E Strāvas padeves vads
- F Pievads

- Zemējuma vadam jābūt nedaudz garākam par pārējiem vadiem. (Vairāk nekā par 100 mm)
- Lai nākotnē atvieglotu apkopi, visus savienojuma vadus atstājiet nedaudz garākus.
- Kad piestiprināt vadus termināļa blokam, pārliedzieties, vai katra skrūve ieskrūvēta tai paredzētajā terminālī.

- Pareizi pievienojiet iekšējās iekārtas kabeli spaiļu blokam.
- Izmantojiet to pašu spaiļu bloku un polaritāti, kas izmantota iekšējā iekārtā.
- Lai atvieglotu apkopi vēlāk, savienojuma kabeli atstājiet nedaudz garākus nekā vajadzīgs.

- Abiem savienojuma kabeļa (starp savienojuma vada) galiem ir jānoņem izolācijas apvalks. Ja vads ir par garu vai tas tiek savienots, izgriežot vidusdaļu, noņemiet strāvas vada izolācijas kārtu, līdz tiek iegūts attēlā redzamais izmērs.
- Raugieties, lai savienojuma kabelis nesaskartos ar caurulēm.

### ⚠ UZMANĪBU.

- Strādājiet rūpīgi un pārbaudiet, vai visi vadi savienoti pareizi.
- Cieši pievelciet spaiļu bloka skrūves, lai tās nekļūtu vaļīgas.
- Pēc skrūvju pievilkšanas nedaudz pavelciet vadus, lai pārliedzētos, vai tie nav vaļīgi.

### ⚠ BRĪDINĀJUMS.

- Cieši piestipriniet atpakaļ ārējās iekārtas apkopes paneli. Ja tas tiek piestiprināts nepareizi, rodas aizdegšanās vai elektrotrieciena risks, ko izraisa puteklis, ūdens utt.
- Cieši pievelciet spaiļu bloka skrūves.
- Vadi jāsavieno tā, lai tie nebūtu nospriegoti. Citādi iespējama uzkaršana vai aizdegšanās.



## 6. Elektromontāža

### 6.2. Objekta elektroinstalācija

Ārējās iekārtas modelis	SUZ-SHWM30VAH/40VAH SUZ-SWM30VA/40VA2/60VA2	SUZ-SHWM60VAH SUZ-SWM80VA(H)2/SWM100VA(H)
Ārējās iekārtas strāvas padeve	~N (viens), 50 Hz, 230 V	~N (viens), 50 Hz, 230 V
Ārējās iekārtas ievades kapacitāte Galvenais slēdzis (jaudas slēdzis) *1	16 A	20 A
Vadojuma vadu Nr. × izmērs (mm <sup>2</sup> )	Ārējās iekārtas strāvas padeve	2 × min. 2,5
	Ārējās iekārtas strāvas padeves zemējums	1 × min. 2,5
	Iekšējā iekārta-ārējā iekārta	3 × 1,5 (polarizēts)
Kontūra spriegums	Iekšējās iekārtas-ārējās iekārtas zemējums	1 × min. 1,5
	Ārēja iekārta L-N *2	230 V maiņstrāva
	Iekšējā iekārta-ārējā iekārta S1-S2 *2	230 V maiņstrāva
	Iekšējā iekārta-ārējā iekārta S2-S3 *2	12 V līdzstrāva – 24 V līdzstrāva
		12 V līdzstrāva – 24 V līdzstrāva

\*1. Katram polam jāuzstāda jaudas slēdzis, kas nodrošina vismaz 3 mm atstarpi. Izmantojiet noplūdes aizsargslēdzi (NV).

Pārliecinieties, vai pašreizējais noplūdes aizsargslēdzis ir saderīgs ar augstākām harmonikām.

Vienmēr izmantojiet strāvas noplūdes aizsargslēdzi, kas ir saderīgs ar augstākajām harmonikām, jo šī iekārta ir aprīkota ar invertoru.

Nepareiza aizsargslēdža izmantošana var izraisīt invertora nepareizu darbību.

\*2. Rādītājos NE VIENMĒR tiek ņemts vērā zemējums.

S3 spaiļem attiecībā pret S2 spaiļiem ir 24 V līdzstrāva. Taču starp S3 un S1 šīs spaiļes NAV elektriski izolētas, izmantojot pārveidotāju vai citu ierīci.

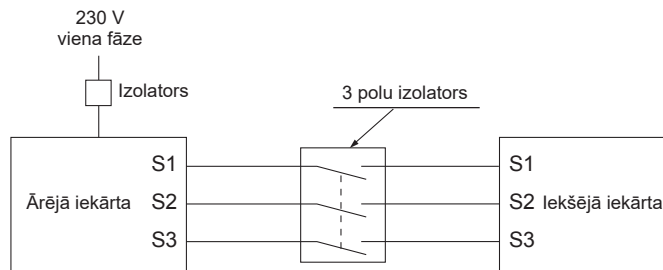
**Piezīmes. 1.** Vadu izmēriem ir jāatbilst piemērojamajiem vietējiem un valsts tiesību aktiem.

**2.** Strāvas padeves vadi un iekšējās/ārējās iekārtas savienojuma vadi nedrīkst būt vieglāki par lokano apvalkoto polihloroprēna vadu. (Standarts 60245 IEC 57)

**3.** Zemējuma vadam jābūt garākam par citiem kabeļiem.

**4.** Izmantojiet strāvas padeves vadojumam pašaizdegšanās sadales kabeļus.

**5.** Atbilstoši izvietojiet vadus tā, lai tie nesaskartos ar lokšņu metāla malu vai skrūves galu.



### ! BRĪDINĀJUMS.

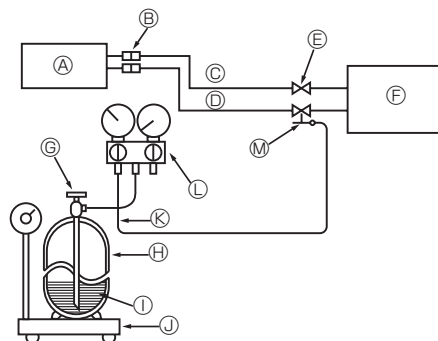
S3 spaiļu blokā ir augstsprieguma potenciāls, ko izraisa elektrisko ķēžu konstrukcija, kurā nav elektriskās izolācijas starp elektroapgādes līniju un sakaru signāla līniju. Tāpēc apkopes laikā, lūdzu, atvienojiet iekārtu no elektrotilka. Nepieskarieties S1, S2, S3 termināļiem, kad strāvas padeve ir aktivizēta. Ja starp iekšējo un ārējo iekārtu jāizmanto izolators, lūdzu, izmantojiet 3 polu tipa izolatoru.

Aizliegts veidot pītu strāvas vada vai iekšējās-ārējās iekārtas savienojuma kabeļa savienojumu, jo tas var izraisīt dūmošanu, aizdegšanos vai sakaru kļūmi.

Pārliecinieties, ka pievienojiet iekšējās-ārējās iekārtas savienojuma kabeļus tiešā veidā iekārtām (neveidojot starpsavienojumus).

Starpsavienojumi var radīt sakaru kļūdu, ja ūdens iekļūst kabeļos un tādējādi izraisa nepietiekamu izolāciju pret zemi vai sliktu elektrisko kontaktu starpsavienojuma punktā.

## 7. Apkope



- (A) Iekšējā iekārta
- (B) Savienotājs
- (C) Šķidruma caurule
- (D) Gāzes caurule
- (E) Slēgvārsts
- (F) Ārējā iekārta
- (G) Aukstumaģenta gāzes cilindra darbības vārsts
- (H) Aukstumaģenta gāzes cilindrs ar sifonu R32 sistēmām
- (I) Aukstumaģents (šķidr)
- (J) Elektroniskie svāri aukstumaģenta uzpildīšanai
- (K) Uzpildes šļūtene (R32 sistēmām)
- (L) Manometriskā kolektora vārsts (R32 sistēmām)
- (M) Apkopes atvere

Fig. 7-1

### 7.1. Gāzes uzpilde (Fig. 7-1)

- Pievienojiet gāzes cilindru slēgvārsta apkopes pieslēgvietai (trīseju).
- Ar gaisu izpūstiet cauruli (vai šļūteni), kas piestiprināta aukstumaģenta gāzes cilindram.
- Kamēr gaiss-ūdens tipa siltumsūkņš darbojas dzesēšanas režīmā, uzpildiet vajadzīgo aukstumaģenta daudzumu.

**Piezīme.**

Ja pievienojat aukstumaģentu, ievērojiet attiecīgajam dzesēšanas ciklam noteikto apjomu.

### ! UZMANĪBU.

- Neļaujiet aukstumaģenta gāzei nokļūt atmosfērā. Montāžas, atkārtotas montāžas vai aukstumaģenta kontūra remonta laikā neļaujiet aukstumaģenta gāzei nonākt atmosfērā.
- Ja vajadzīga papildu uzpilde, uzpildiet aukstumaģentu šķidrā agregātstāvoklī no gāzes cilindra. Ja aukstumaģents tiek uzpildīts, kamēr tas atrodas gāzveida agregātstāvoklī, var tikt izmainīta cilindrs un ārējā iekārtā esošā aukstumaģenta struktūra. Šādā gadījumā mazinās dzesēšanas cikla efektivitāte vai standarta darbība vispār nav iespējama. Ja mēģināsīt uzpildīt visu šķidro aukstumaģentu vienā piegājienā, var nobloķēties kompresors. Tāpēc veiciet uzpildi lēnām.

Lai nodrošinātu augstu gāzes cilindra spiedienu aukstos laikapstākļos, uzsildiet gāzes cilindru ar siltu ūdeni (zem 40 °C). Nekādā gadījumā neizmantojiet atklātu liesmu vai tvaikus.

## 8. Darbi ar ūdens caurulēm

### 8.1. Minimālais ūdens daudzums

Skatiet iekšējās iekārtas montāžas rokasgrāmatu.

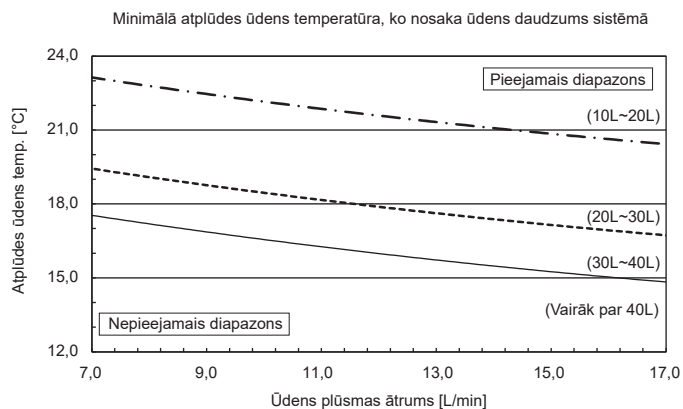
### 8.2. Pieejamais diapazons (ūdens plūsmas ātrums, atplūdes ūdens temp.)

Raugieties, lai ūdens plūsmas rādītājs un atplūdes ūdens temperatūra atbilst attiecīgajam ūdens kontūram.

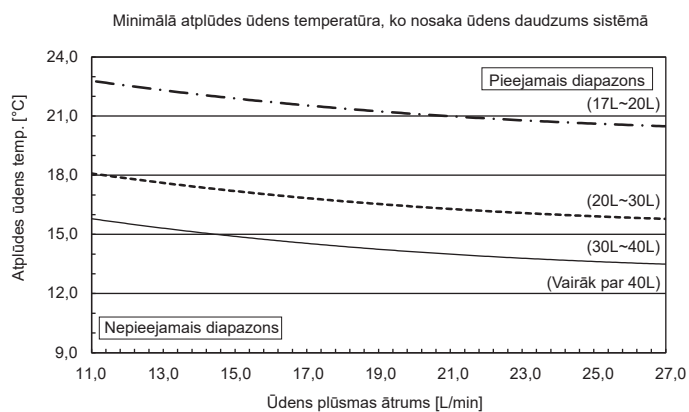
Šīs līknes ir saistītas ar ūdens daudzumu.

#### ■ Apsilde

SUZ-SWM30VA SUZ-SHWM30VAH  
SUZ-SWM40VA2 SUZ-SHWM40VAH  
SUZ-SWM60VA2



SUZ-SWM80VA(H)2  
SUZ-SWM100VA(H)  
SUZ-SHWM60VAH



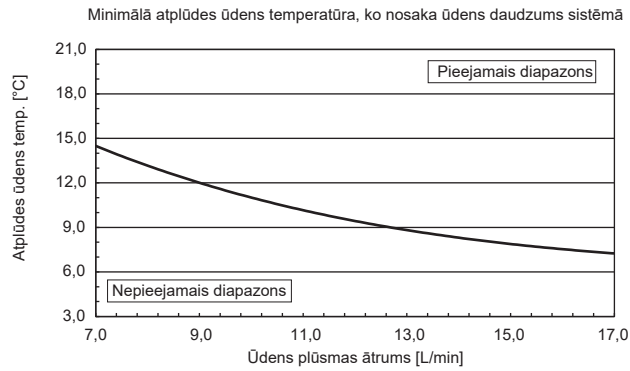
#### Piezīme.

- Nodrošiniet, lai atkausēšanas laikā netiktu sasniegts nepieejamais diapazons.  
Pretējā gadījumā ārējā iekārta tiek nepietiekami atkausēta un/vai iekšējās iekārtas siltummainis var sasalt.
- Plūsmas temperatūrai vienmēr JĀBŪT NE zemākai par 32°C, ja āra temperatūra nokrītas līdz zemākai par -15°C.  
Plāksņu siltummainis var sasalt un tikt bojāts, turklāt āra siltummainis var būt apsals nepietiekamas atkausēšanas dēļ.

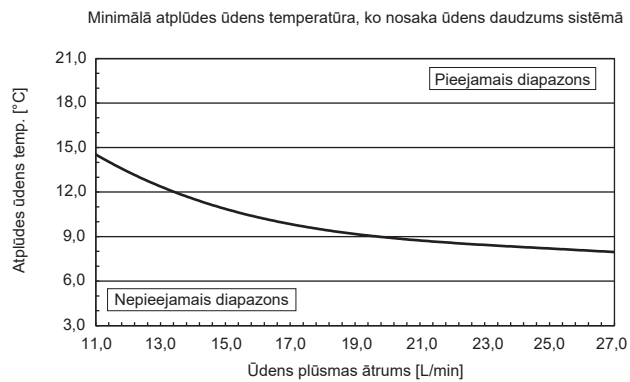
## 8. Darbi ar ūdens caurulēm

### ■ Dzesēšana

SUZ-SWM30VA SUZ-SHWM30VAH  
SUZ-SWM40VA2 SUZ-SHWM40VAH  
SUZ-SWM60VA2



SUZ-SWM80VA(H)2  
SUZ-SWM100VA(H)  
SUZ-SHWM60VAH



### Piezīme.

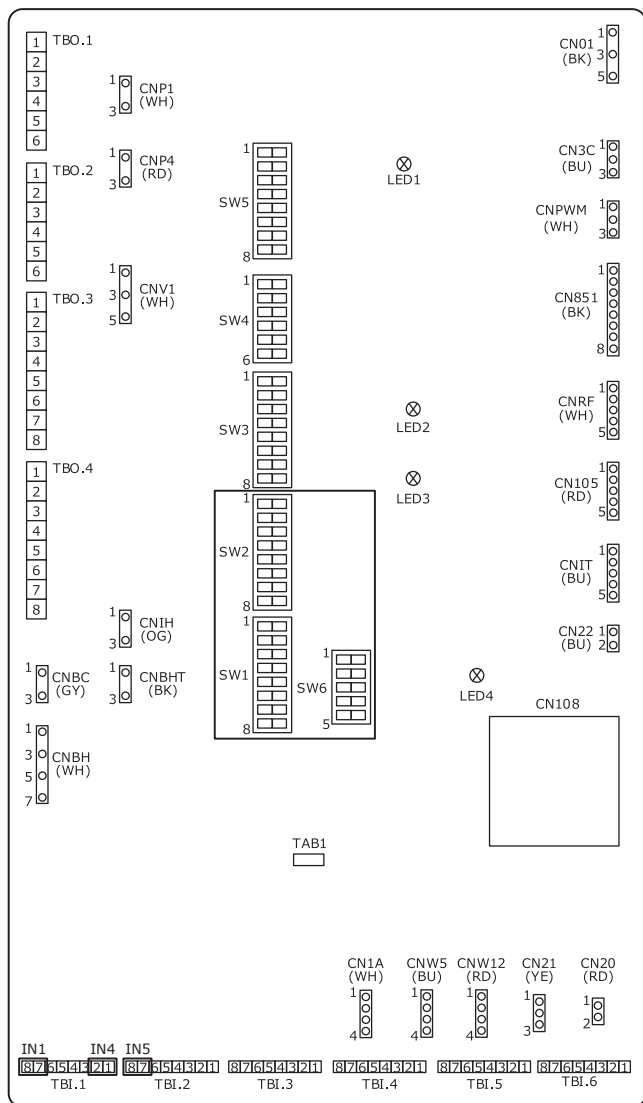
Nodrošiniet, lai atkausēšanas laikā netiktu sasniegts nepieejamais diapazons.

Pretējā gadījumā ārējā iekārta tiek nepietiekami atkausēta un/vai iekšējās iekārtas siltumainis var sasalt.

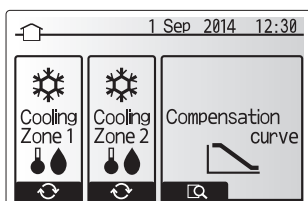
## 9. Atsūknēšana uz ārējo iekārtu

Kad grasāties pārvietot ārējo iekārtu vai izmest to atkritumos, vispirms atsūknējiet sistēmu atbilstoši tālāk sniegtajam aprakstam, lai atmosfērā nenokļūtu aukstumaģents.

- ① IZSLĒDZIET visu barošanas kontūru (ieskaitot iekšējo iekārtu, sildītāju, ārējo iekārtu u.c.).
- ② Pievienojiet manometriskā kolektora vārstu slēgvārsta apkopes atverei; tā atrodas tajā pašā pusē, kurā atrodas ārējās iekārtas gāzes caurule.
- ③ Pilnībā aizveriet slēgvārstu tajā ārējās iekārtas pusē, kurā atrodas šķidruma caurule.
- ④ Mainiet iekšējās iekārtas iestatījumus.
  - Iestatiet DIP slēdzi SW1-3 uz OFF (Izslēgts), SW2-1 uz OFF (Izslēgts), SW2-4 uz ON (Ieslēgts) un SW6-3 uz OFF (Izslēgts) iekšējelpu vadības panelī.
  - Atvienojiet signāla ievades IN1 (telpu termostata 1 ievade), IN4 (pieprasījuma kontroles ievade) un IN5 (ārtelpu termostata ievade).

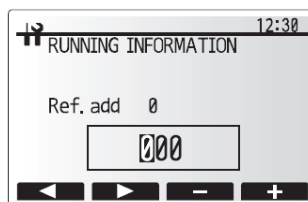
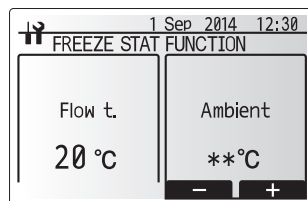
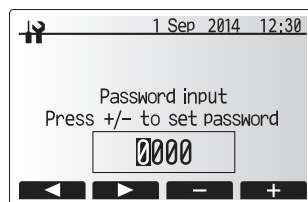


- ⑤ IESLĒDZIET visu barošanas kontūru.
- ⑥ Iekšējās iekārtas galvenās pults galvenajā izvēlnē izvēlieties „Heating/cooling mode” (Apsildes/dzesēšanas režīms) → „Cooling flow temp.” (Dzesēšanas plūsmas temp.).

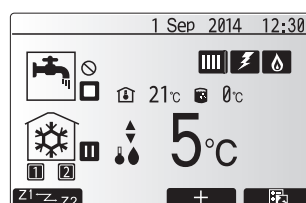
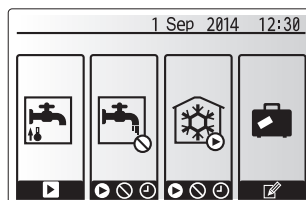


- ⑦ Galvenajā izvēlnē izvēlieties „Service” (Apkope) un nomainiet iestatījumus, kā aprakstīts tālāk. Jums tiks pieprasīts ievadīt paroli. RŪPNĪCAS NOKLUSĒJUMA PAROLE IR „0000”.

- Izvēlieties „Operation settings” (Darbības iestatījumi) → „Freeze stat function” (Pretaizsaldšanas funkcija) un pēc tam iestatiet minimālo āra gaisa temperatūru uz \* (zvaigznīti).
- Izvēlieties „Running information” (Darbības informācija) un tad iestatiet atsaucies adresi uz 351.



- ⑧ Veiciet aukstumaģenta savākšanas darbību.
  - Nospiediet galvenās pults „ON/OFF” (Ieslēgšanas/Izslēgšanas) pogu.
  - Opciju izvēlnē iestatiet „Cooling ON” (Dzesēšana ieslēgta).
  - Iestatiet mērķa plūsmas temperatūru uz 5 °C. Ja sistēmu kontrolē ar istabas temperatūras termostatu, iestatiet mērķa istabas temperatūru uz 10 °C.
  - Aukstumaģenta savākšanas darbība sākas pēc 60 sekundēm.
  - Lai iegūtu papildu informāciju vai citu informāciju par galvenās pults iestatījumiem, skatiet montāžas rokasgrāmatu vai iekšējās iekārtas lietošanas rokasgrāmatu.



Turpinājums nākamajā lapā.

## 9. Atsūknēšana uz ārējo iekārtu

- ⑨ Kad spiediena mērītāja rādījums ir 0,05–0 MPa [Manometrs] (apm. 0,5–0 kgf/cm<sup>2</sup>), pilnībā aizveriet slēgvārstu tajā ārējās iekārtas pusē, kurā atrodas gāzes caurule, un ātri izslēdziet ārējo iekārtu.
- Nospiediet tālvadības pults „ON/OFF” (ieslēgšanas/Izslēgšanas) pogu, lai izslēgtu ārējo iekārtu.
  - \* Ņemiet vērā – ja pagarinājuma caurules ir ļoti garas un satur lielu aukstumaģenta daudzumu, var nebūt iespējams atsūknēt aukstumaģentu uz ārējo iekārtu. Šādā gadījumā izmantojiet aukstumaģenta novadīšanas aprīkojumu, lai savāktu visu sistēmā esošo aukstumaģentu.
- ⑩ Iestatiet atpakaļ galvenās pults iestatījumu, kas tika mainīts ⑧. solī.
- ⑪ Nospiediet iekšējās iekārtas galvenās pults „ON/OFF” (ieslēgšanas/Izslēgšanas) pogu aptuveni 3 sekundes, lai apturētu iekārtu.
- ⑫ Iestatiet atpakaļ galvenās pults iestatījumus, kas tika mainīti jebkurā citā solī, izņemot ⑧. soli.
- \* Kā iestatīt atpakaļ „Running information” (Darbības informācija): Iestatiet atsaucē adresi uz 350.
- ⑬ **IZSLĒDZIET** visu barošanas kontūru un atiestatiet atpakaļ iekšējai kontūra paneļa DIP slēdža iestatījumus.
- ⑭ Noņemiet manometrisko kolektora vārstu un pēc tam atvienojiet aukstumaģenta caurules.



### BRĪDINĀJUMS.

Ja dzesēšanas kontūrā ir noplūde, **NEDRĪKST** atsūknēt, izmantojot kompresoru.

Kad tiek atsūknēts aukstumaģents, vispirms izslēdziet kompresoru un tikai tad atvienojiet aukstumaģenta caurules.

- Ja aukstumaģenta caurules tiek atvienotas, kamēr kompresors darbojas un slēgvārsts (lodvārsts) ir atvērts, spiediens dzesēšanas cikla sistēmā var kļūt bīstami augsts (ja sistēmā tiek sūknēts gaiss), izraisot cauruļu pārsprāgšanu, traumas utt.



### UZMANĪBU.

**NELIETOJIET** šo DZESĒŠANAS režīmu, pieslēdzoties iekšējai ierīcei, kas neļauj lietot DZESĒŠANAS režīmu citiem mērķiem, izņemot atsūknēšanu.

## 10. Specifikācijas

Āra modelis		SUZ-SWM30VA	SUZ-SHWM30VAH	SUZ-SWM40VA2	SUZ-SHWM40VAH	SUZ-SWM60VA2
Strāvas padeve	V / Fāze / Hz	230 / Viena fāze / 50				
Izmēri (P × A × Dz)	mm	800 × 714 × 285				
Akustiskās jaudas līmenis (apsilde)	*1 dB(A)	57	57	57	58	60
	*2 dB(A)	54	54	54	55	56

Āra modelis		SUZ-SHWM60VAH	SUZ-SWM80VA(H)2	SUZ-SWM100VA(H)
Strāvas padeve	V / Fāze / Hz	230 / Viena fāze / 50		
Izmēri (P × A × Dz)	mm	840 × 880 × 330		
Akustiskās jaudas līmenis (apsilde)	*1 dB(A)	60	60	62
	*2 dB(A)	58	59	60

\*1. Mērīts nominālās darbības frekvencē pie 7 °C DB / 6 °C WB apkārtējā gaisa temperatūras un 55 °C izplūdušā ūdens temperatūras.

\*2. Mērīts saskaņā ar standartu EN12102 standartā EN14825 noteiktajos apstākļos.

EU DECLARATION OF CONFORMITY  
EU-KONFORMITÄTSEKTLÄRUNG  
DÉCLARATION DE CONFORMITÉ UE  
EU-CONFORMITEITSVERKLARING  
DECLARACIÓN DE CONFORMIDAD UE  
DICHIARAZIONE DI CONFORMITÀ UE  
ΔΗΛΩΣΗ ΣΥΜΜΟΡΦΩΣΗΣ ΕΕ  
DECLARAÇÃO DE CONFORMIDADE UE  
EU-OVERENSSTEMMELSESEKTLÆRING

EG-DEKLARATION OM ÖVERENSSTÄMMELSE  
AV UYGUNLUK BEYAN  
ДЕКЛАРАЦИЯ СООТВЕТСТВИЯ НОРМАМ ЕС  
ДЕКЛАРАЦІЯ ВІДПОВІДНОСТІ ВИМОГАМ ЄС  
ЕС ДЕКЛАРАЦІЯ ЗА СЪОТВЕТСТВИЕ  
DEKLARACJA ZGODNOŚCI UE  
EU-ERKLÆRING OM SAMSVAR  
EU-VAATIMUSTENMUKAISUUSVAKUUTUS  
EU PROHLÁŠENÍ O SHODĚ

EU VYHLÁŠENIE O ZHODE  
EU MEGFELELŐSÉGI NYILATKOZAT  
IZJAVA EU O SKLADNOSTI  
DECLARAȚIE DE CONFORMITATE UE  
EL-I VASTAVUSDEKLARATSIOON  
ES ATBILSTĪBAS DEKLARĀCIJA  
ES ATITIKTIES DEKLARACIJA  
EU IZJAVA O SUKLADNOSTI  
EU IZJAVA O USAGLAŠENOSTI

**MITSUBISHI ELECTRIC CONSUMER PRODUCTS (THAILAND) CO., LTD**  
**700/406 MOO 7, TAMBON DON HUA ROH, AMPHUR MUANG, CHONBURI 20000, THAILAND**

hereby declares under its sole responsibility that the air conditioner(s) and heat pump(s) for use in residential, commercial, and light-industrial environments described below:  
erklärt hiermit auf seine alleinige Verantwortung, dass die Klimaanlage(n) und Wärmepumpe(n) für das häusliche, kommerzielle und leichtindustrielle Umfeld wie unten beschrieben:  
déclare par la présente et sous sa propre responsabilité que le(s) climatiseur(s) et la/les pompe(s) à chaleur destinés à un usage dans des environnements résidentiels, commerciaux et d'industrie légère décrits ci-dessous :  
verklaart hierbij onder eigen verantwoordelijkheid dat de voor huishoudelijke, handels- en lichtindustriële omgevingen bestemde airconditioner(s) en warmtepomp(en) zoals onderstaand beschreven:

por la presente declara, bajo su exclusiva responsabilidad, que el(los) acondicionador(es) de aire y la(s) bomba(s) de calor previsto(s) para su uso en entornos residenciales, comerciales y de industria ligera que se describen a continuación:

conferma con la presente, sotto la sua esclusiva responsabilità, che i condizionatori d'aria e le pompe di calore destinati all'utilizzo in ambienti residenziali, commerciali e semi-industriali e descritti di seguito:

με το παρόν δηλώνει με αποκλειστική ευθύνη ότι το ή τα κλιματιστικά και η ή οι αντλίες θερμότητας για χρήση σε οικιακά, εμπορικά και επαγγελματικά περιβάλλοντα που περιγράφονται παρακάτω:

declara pela presente, e sob sua exclusiva responsabilidade, que o(s) aparelho(s) de ar condicionado e a(s) bomba(s) de calor destinados a utilização em ambientes residenciais, comerciais e de indústria ligeira descritos em seguida:

erklærer hermed under eneansvar, at det/de herunder beskrevne airconditionanlæg og varmepumpe(r) til brug i beboelses- og erhvervs miljøer samt i miljøer med let industri:

intyggar härmed att luftkonditioneringarna och värmepumparna som beskrivs nedan för användning i bostäder, kommersiella miljöer och lätta industriella miljöer:

ev, ticaret ve hafif sanayi ortamlarında kullanıma yönelik aşağıda açıklanan klima ve ısıtma pompalarıyla ilgili aşağıdaki hususları yalnızca kendi sorumluluğunda olmak üzere beyan eder:

настоящим заявляет под свою исключительную ответственность, что кондиционер (-ы) и тепловой (-ые) насос (-ы) для использования в описанных ниже жилых, коммерческих и небольших складских и промышленных помещениях:

цим заявляю, беручи на себе повну відповідальність за це, що кондиціонер (-и) й тепловий (-и) насос (-и), описані нижче й призначені для використання в житлових приміщеннях, торговельних залах і на підприємствах легкої промисловості:

декларира с настоящата на своя собствена отговорност, че климатикъ(т)е и термомпата(ите), посочени по-долу и предназначени за употреба в жилищни, търговски и лекопромишлени среди:

niniejszym oświadczam na swoją wyłączną odpowiedzialność, że klimatyzatory i pompy ciepła do zastosowań w środowisku mieszkalnym, handlowym i lekko przemysłowym opisane poniżej:

erklærer et fullstendig ansvar for undernevnte klimaapparat og varmepumper ved bruk i boliger, samt kommersielle og lettindustrielle miljøer:

vakuuttaa täten yksinomaista vastuutaan, että jäljempänä kuvutat asuinrakennuksiin, pienteeollisuuskäyttöön ja kaupalliseen käyttöön tarkoitettuihin ilmastointilaitteisiin ja lämpöpumput:

tímto na vlastní odpovědnost prohlašuje, že níže popsané klimatizační jednotky a tepelná čerpadla pro použití v obytných prostředích, komerčních prostředích a prostředích lehkého průmyslu:

týmto na svoju výlučnú zodpovednosť vyhlasuje, že nasledovné klimatizačné jednotky a tepelné čerpadlá určené na používanie v obytných a obchodných priestoroch a v prostredí ľahkého priemyslu:

alulírott kizárólagos felelősségére nyilatkozik, hogy az alábbi lakossági, kereskedelmi és kisipari környezetben való használatra szánt klímaberendezés(ek) és hőszivattyú(k):

na lastno odgovornost izjavlja, da so spodaj opisane klimatske naprave in toplotne črpalke, namenjene za uporabo v stanovanjskih, poslovnih in lahkoindustrijskih okoljih:

declară prin prezenta, pe proprie răspundere, faptul că aparatele de climatizare și pompele de căldură descrise mai jos și destinate utilizării în medii rezidențiale, comerciale și din industria ușoară:

kinnitab oma ainuvastutust, et allpool toodud elu-, äri- ja kergtööstuskeskkondades kasutamiseks mõeldud kliimaseadmed ja soojuspumbad:

ar šo, vienpersoniski uzņemoties atbildību, paziņo, ka tālāk aprakstītais(-tie) gaisa kondicionētājs(-i) un siltumsūkņis(-i) ir paredzēti lietošanai dzīvojamajās, komercdarbības un vieglās rūpniecības telpās, kas aprakstītas tālāk:

šiuo vien tik savo atsakomybe pareiškia, kad toliau apibūdintas (-i) oro kondicionierius (-iai) ir šilumos siurblys (-iai), skirtas (-i) naudoti toliau apibūdintose gyvenamosiose, komercinėse ir lengvosios pramonės aplinkose:

ovime izjavljuje pod isključivom odgovornošću da je/su klimatizacijski uređaji(i) i toplinska dizalica(e) opisan(i) u nastavku namijenjen(i) za upotrebu u stambenim i poslovnim okruženjima te okruženjima lake industrije:

ovim izjavljuje na svoju isključivu odgovornost da su klima-uređaji i toplotne pumpe za upotrebu u stambenim, komercijalnim okruženjima i okruženjima lake industrije opisani u nastavku:

**MITSUBISHI ELECTRIC, SUZ-SWM30VA\*, SUZ-SWM40VA\*, SUZ-SWM60VA\*, SUZ-SWM80VA\*, SUZ-SWM100VA\***  
**SUZ-SHWM30VAH\*, SUZ-SHWM40VAH\*, SUZ-SHWM60VAH\*, SUZ-SWM80VAH\*, SUZ-SWM100VAH\***  
**\* : , , 1, 2, 3, , , , 9**

is/are in conformity with provisions of the following Union harmonisation legislation.  
die Bestimmungen der folgenden Harmonisierungsrechtsvorschriften der Union erfüllen/

erfüllen.  
est/sont conforme(s) aux dispositions de la législation d'harmonisation de l'Union

suivante.  
voldoet/voldoen aan bepalingen van de volgende harmonisatiewetgeving van de Unie.

cumple(n) con las disposiciones de la siguiente legislación de armonización de la Unión.

sono in conformità con le disposizioni della seguente normativa dell'Unione sull'armonizzazione.

συμμορφώνονται με τις διατάξεις της ακόλουθης νομοθεσίας εναρμόνισης της Ένωσης.

está/estão em conformidade com as disposições da seguinte legislação de harmonização da União.

er i overensstemmelse med bestemmelse i følgende harmoniserede EU-lovgivning.

uppfyller villkoren i följande harmoniserade föreskrifter inom unionen.

აşağıdaki Avrupa Birliği uyumlaştırma mevzuatının hükümlerine uygundur.

соответствуют положениям следующих законодательных актов Союза о гармонизации.

2014/35/EU: Low Voltage Directive  
2006/42/EC: Machinery Directive  
2014/30/EU: Electromagnetic Compatibility Directive  
2011/65/EU, (EU) 2015/863 and (EU) 2017/2102: RoHS Directive  
2009/125/EC: Energy-related Products Directive and Regulation (EU) No 813/2013

відповідають положенням вказаного далі законодавства Союзу щодо гармонізації.  
е/са в съответствие с разпоредбите на следното законодателство на Съюза за

хармонизация.  
są zgodne z przepisami następującego unijnego prawodawstwa harmonizacyjnego.

er i samsvar med forskriftene til følgende EU-lovgivning om harmonisering.

ovat seuraavan unionin yhdenmukaistamislainsäädännön säännösten mukaisia.

jsou v souladu s ustanoveními následujících harmonizačních právních předpisů Unie.

spĺňajú ustanovenia nasledujúcich harmonizovaných noriem EÚ.

megfelel(nek) az Unió alábbi harmonizációs jogszabályi előírásainak.

in skladu z določbami naslednje usklajevalne zakonodaje Unije.

sunt în conformitate cu dispozițiile următoare legislații de armonizare a Uniunii.

vastavad järgmiste Euroopa Liidu ühtlustatud õigusaktide sätetele.

atbilst šādiem ES harmonizētājiem tiesību aktu noteikumiem.

taip pat atitinka kitų toliau išvardytų suderintųjų Sąjungos direktyvų nuostatas.

sukladan(i) odredbama sljedećeg zakonodavstva Unije za sukladnost.

u skladu sa odredbama sledećeg usklađivanja zakonodavstva Unije.

## <ENGLISH>

English is original. The other languages versions are translation of the original.

### ▲ CAUTION

- Refrigerant leakage may cause suffocation. Provide ventilation in accordance with EN378-1.
- Be sure to wrap insulation around the piping. Direct contact with the bare piping may result in burns or frostbite.
- Never put batteries in your mouth for any reason to avoid accidental ingestion.
- Battery ingestion may cause choking and/or poisoning.
- Install the unit on a rigid structure to prevent excessive operation sound or vibration.
- The A-weighted sound pressure level is below 70dB.
- This appliance is intended to be used by expert or trained users in shops, in light industry and on farms, or for commercial use by lay persons.

## <DEUTSCH>

Das Original ist in Englisch. Die anderen Sprachversionen sind vom Original übersetzt.

### ▲ VORSICHT

- Wenn Kältemittel austritt, kann dies zu Ersticken führen. Sorgen Sie in Übereinstimmung mit EN378-1 für Durchlüftung.
- Die Leitungen müssen isoliert werden. Direkter Kontakt mit nicht isolierten Leitungen kann zu Verbrennungen oder Erfrierungen führen.
- Nehmen Sie niemals Batterien in den Mund, um ein versehentliches Verschlucken zu vermeiden.
- Durch das Verschlucken von Batterien kann es zu Erstickungen und/oder Vergiftungen kommen.
- Installieren Sie das Gerät auf einem stabilen Untergrund, um übermäßige Betriebsgeräusche oder -schwingungen zu vermeiden.
- Der A-gewichtete Schalldruckpegel ist niedriger als 70dB.
- Dieses Gerät ist vorgesehen für die Nutzung durch Fachleute oder geschultes Personal in Werkstätten, in der Leichtindustrie und in landwirtschaftlichen Betrieben oder für die kommerzielle Nutzung durch Laien.

## <FRANÇAIS>

L'anglais est l'original. Les versions fournies dans d'autres langues sont des traductions de l'original.

### ▲ PRECAUTION

- Une fuite de réfrigérant peut entraîner une asphyxie. Fournissez une ventilation adéquate en accord avec la norme EN378-1.
- Assurez-vous que la tuyauterie est enveloppée d'isolant. Un contact direct avec la tuyauterie nue peut entraîner des brûlures ou des engelures.
- Ne mettez jamais des piles dans la bouche pour quelque raison que ce soit pour éviter de les avaler par accident.
- Le fait d'ingérer des piles peut entraîner un étouffement et/ou un empoisonnement.
- Installez l'appareil sur une structure rigide pour prévenir un bruit de fonctionnement et une vibration excessifs.
- Le niveau de pression acoustique pondéré est en dessous de 70 dB.
- Cet appareil est conçu pour un utilisateur expert ou les utilisateurs formés en magasin, dans l'industrie légère et dans l'agriculture ou dans le commerce par le profane.

## <NEDERLANDS>

Het Engels is het origineel. De andere taalversies zijn vertalingen van het origineel.

### ▲ VOORZICHTIG

- Het lekken van koelvoelstof kan verstikking veroorzaken. Zorg voor ventilatie in overeenstemming met EN378-1.
- Isoleer de leidingen met isolatiemateriaal. Direct contact met de onbedekte leidingen kan leiden tot brandwonden of bevriezing.
- Stop nooit batterijen in uw mond om inslikking te voorkomen.
- Het inslikken van batterijen kan verstikking of vergiftiging veroorzaken.
- Installeer het apparaat op een stabiele structuur om overmatig lawaai of trillingen te voorkomen.
- Het niveau van de geluidsdruk ligt onder 70 dB(A).
- Dit apparaat is bedoeld voor gebruik door ervaren of opgeleide gebruikers in werkplaatsen, in de lichte industrie en op boerderijen, of voor commercieel gebruik door leken.

## <ESPAÑOL>

El idioma original del documento es el inglés. Las versiones en los demás idiomas son traducciones del original.

### ▲ CUIDADO

- Las pérdidas de refrigerante pueden causar asfixia. Se debe proporcionar la ventilación determinada en EN378-1.
- Asegúrese de colocar el aislante alrededor de las tuberías. El contacto directo con la tubería puede ocasionar quemaduras o congelación.
- Para evitar una ingestión accidental, no coloque las pilas en su boca bajo ningún concepto.
- La ingestión de las pilas puede causar asfixia y/o envenenamiento.
- Coloque la unidad en una estructura rígida para evitar que se produzcan sonidos o vibraciones excesivos debidos a su funcionamiento.
- El nivel de presión acústica ponderado A es inferior a 70 dB.
- Este aparato está destinado a su uso por parte de usuarios expertos o capacitados en talleres, industrias ligeras y granjas, o a su uso comercial por parte de personas no expertas.

## <ITALIANO>

Il testo originale è redatto in lingua Inglese. Le altre versioni linguistiche rappresentano traduzioni dell'originale.

### ▲ ATTENZIONE

- Le perdite di refrigerante possono causare asfissia. Prevedere una ventilazione adeguata in conformità con la norma EN378-1.
- Accertarsi di applicare materiale isolante intorno alle tubature. Il contatto diretto con le tubature non schermate può provocare ustioni o congelamento.
- Non introdurre in nessun caso le batterie in bocca onde evitare ingestioni accidentali.
- L'ingestione delle batterie può provocare soffocamento e/o avvelenamento.
- Installare l'unità su una struttura rigida in modo da evitare rumore o vibrazioni eccessivi durante il funzionamento.
- Il livello di pressione del suono ponderato A è inferiore a 70dB.
- Questa apparecchiatura è destinata all'utilizzo da parte di utenti esperti o addestrati in negozi, industria leggera o fattorie oppure a un uso commerciale da parte di persone non esperte.

## <ΕΛΛΗΝΙΚΑ>

Η γλώσσα του πρωτοτύπου είναι η αγγλική. Οι εκδόσεις άλλων γλωσσών είναι μεταφράσεις του πρωτοτύπου.

### ▲ ΠΡΟΣΟΧΗ

- Η διαρροή του ψυκτικού ενδέχεται να προκαλέσει ασφυξία. Φροντίστε για τον εξαερισμό σύμφωνα με το πρότυπο EN378-1.
- Φροντίστε να τυλίξετε με μονωτικό υλικό τη σωλήνωση. Η απευθείας επαφή με τη γυμνή σωλήνωση ενδέχεται να προκαλέσει εγκαύματα ή κρυοπαγήματα.
- Μη βάζετε ποτέ τις μπαταρίες στο στόμα σας για κανένα λόγο ώστε να αποφύγετε την κατά λάθος κατάποσή τους.
- Η κατάποση μπαταριών μπορεί να προκαλέσει πνιγμό ή/και δηλητηρίαση.
- Εγκαταστήστε τη μονάδα σε σταθερή κατασκευή ώστε να αποφύγετε τον έντονο ήχο λειτουργίας ή τους κραδασμούς.
- Η Α-σταθμισμένη στάθμη ηχητικής πίεσης είναι κάτω των 70dB.
- Η Α-σταθμισμένη στάθμη ηχητικής πίεσης είναι κάτω των 70dB.
- Η συσκευή αυτή προορίζεται για χρήση από εμπειροπρόσωπους ή εκπαιδευμένους χρήστες σε καταστήματα, στην ελαφριά βιομηχανία και σε αγροκτήματα, ή για εμπορική χρήση από άτομα τα οποία δεν είναι ειδικευμένοι.

## <PORTUGUÊS>

O idioma original é o inglês. As versões em outros idiomas são traduções do idioma original.

### ▲ CUIDADO

- A fuga de refrigerante pode causar asfixia. Garanta a ventilação em conformidade com a norma EN378-1.
- Certifique-se de que envolva as tubagens com material de isolamento. O contacto directo com tubagens não isoladas pode resultar em queimaduras ou ulcerações provocadas pelo frio.
- Nunca coloque pilhas na boca, por nenhum motivo, para evitar a ingestão accidental.
- A ingestão de uma pilha pode causar obstrução das vias respiratórias e/ou envenenamento.
- Instale a unidade numa estrutura robusta, de forma a evitar ruídos ou vibrações excessivos durante o funcionamento.
- O nível de pressão sonora ponderado A é inferior a 70 dB.
- Este equipamento destina-se a ser utilizado por especialistas ou utilizadores com formação em lojas, na indústria ligeira e em quintas, ou para utilização comercial por leigos.

## <DANSK>

Engels er originalen. De andre sprogversioner er oversættelser af originalen.

### ▲ FORSIGTIG

- Lækage af kølemiddel kan forårsage kvælning. Sørg for udluftning i overensstemmelse med EN378-1.
- Sørg for at pakke rørene ind i isolering. Direkte kontakt med ubeklædte rør kan forårsage forbrændinger eller forfrysninger.
- Batterier må under ingen omstændigheder tages i munden for at forhindre utilsigtet indtagelse.
- Indtagelse af batterier kan forårsage kvælning og/eller forgiftning.
- Installer enheden på en fast struktur for at forhindre for høje driftslyde eller vibrationer.
- Det A-vægtede lydtrykniveau er under 70dB.
- Dette apparat er beregnet til at blive brugt af eksperter eller udlærte brugere i butikker, inden for let industri og på gårde eller til kommerciel anvendelse af lægmænd.

## <SVENSKA>

Engelska är originalspråket. De övriga språkversionerna är översättningar av originalet.

### ▲ FÖRSIKTIGHET

- Köldmedelsläckage kan leda till kvävning. Tillhandahåll ventilation i enlighet med EN378-1.
- Kom ihåg att linda isolering runt rören. Direktkontakt med bara rör kan leda till brännskador eller köldskador.
- Stoppa aldrig batterier i munnen, de kan sväljas av misstag.
- Om ett batteri sväljs kan det leda till kvävning och/eller förgiftning.
- Montera enheten på ett stadigt underlag för att förhindra höga driftljud och vibrationer.
- Den A-vägdade ljudtrycksnivån är under 70dB.
- Denna apparat är ämnad för användning av experter eller utbildade användare i affärer, inom lätt industri och på lanbruk, eller för kommersiell användning av lekmän.

## <TÜRKÇE>

Aslı İngilizce'dir. Diğer dillerdeki sürümler aslının çevirisidir.

### ▲ DİKKAT

- Soğutucu kaçağı boğulmaya neden olabilir. EN378-1 uyarınca uygun havalandırma sağlayın.
- Borular etrafına yalıtım yapıldığından emin olun. Borulara doğrudan çıplak elle dokunulması yanıklara veya soğuk ısırıklarına neden olabilir.
- Kazara yutmamak için, pilleri kesinlikle hiçbir amaçla ağzınızda tutmayın.
- Pillerin yutulması boğulmaya ve/veya zehirlenmeye yol açabilir.
- Aşırı çalıma seslerini veya titreşimi önlemek için, üniteyi sağlam bir yapı üzerine monte edin.
- A ağırıklı ses gücü seviyesi 70dB'nin altındadır.
- Bu cihaz tıbbilerde, hafif endüstriyel tesislerde ve çiftliklerde uzman veya eğitimli kullanıcılar tarafından kullanılmak üzere veya normal kullanıcılar tarafından ticari kullanım için tasarlanmıştır.

## <РУССКИЙ>

Языком оригинала является английский. Версии на других языках являются переводом оригинала.

### ▲ ОСТОРОЖНО

- Утечка хладагента может стать причиной удушья. Обеспечьте вентиляцию в соответствии с EN378-1.
- Обязательно оберните трубы изоляционным материалом. Непосредственный контакт с неизолированным трубопроводом может привести к ожогам или обморожению.
- Запрещается класть элементы питания в рот по каким бы то ни было причинам во избежание случайного проглатывания.
- Попадание элемента питания в пищеварительную систему может стать причиной удушья и/или отравления.
- Устанавливайте устройство на жесткую структуру во избежание чрезмерного шума или чрезмерной вибрации во время работы.
- Уровень звукового давления по шкале A не превышает 70 дБ.
- Данное устройство предназначено для использования специалистами или обученным персоналом в магазинах, на предприятиях легкой промышленности и фермах или для коммерческого применения не-профессионалами.

## <УКРАЇНСЬКА>

Переклад оригіналу. Текст іншими мовами є перекладом оригіналу.

### ▲ ОБЕРЕЖНО

- Виток холодагента може призвести до удушся. Необхідно забезпечити вентиляцію відповідно до стандарту EN 378-1.
- Труби необхідно обмотати ізоляційним матеріалом. Прямий контакт із непокритою трубою може призвести до опіку або обмороження.
- Забороняється класти елементи живлення в рот із будь-яких причин, оскільки є ризик випадково їх проковтнути.
- Попадання елемента живлення в травну систему може стати причиною задхуки та/або отруєння.
- Встановлюйте блок на міцній конструкції, щоб уникнути надмірного рівня звуку роботи або вібрації.
- Рівень амплітудно зваженого акустичного тиску становить нижче 70 дБ.
- Цей прилад призначається для використання спеціалістами або особами, що пройшли відповідне навчання, у краніцях, легкій промисловості та сільськогосподарських підприємствах, а також для комерційного використання неспеціалістами.

## <БЪЛГАРСКИ>

Оригиналът е текстът на английски език. Версиите на други езици са преводи на оригинала.

### ▲ ВНИМАНИЕ

- Изтичането на хладилен агент може да причини задушаване. Осигурете вентилация съобразно с EN378-1.
- Не забравяйте да уветите изолация около тръбите. Директният контакт с оголени тръби може да причини изгаряне или измръзване.
- При никакви обстоятелства не поставяйте батериите в устата си, за да не ги поглънете по невнимание.
- Това може да доведе до задушаване и/или натравяне.
- Монтирайте тялото върху твърда конструкция, за да предотвратите прекомерен шум или вибрации по време на работа.
- А-претегленото ниво на звуково налягане е под 70 dB.
- Този уред е предназначен за използване от експерти или обучени потребители в магазини, в леката промисленост и във ферми, или за търговска употреба от неспециалисти.

## <POLSKI>

Językiem oryginalu jest język angielski. Inne wersje językowe stanowią tłumaczenie oryginalu.

### ▲ UWAGA

- Wyciek czynnika chłodniczego może spowodować uduszenie. Należy zapewnić wentylację zgodnie z normą EN378-1.
- Należy pamiętać, aby owinąć izolację wokół przewodów rurowych. Bezpośredni kontakt z niezabezpieczonymi przewodami rurowymi może doprowadzić do poparzeń lub odmrożeń.
- Nie wolno wkładać baterii do ust z jakiegokolwiek powodu, aby uniknąć przypadkowego poknięcia.
- Poknięcie baterii może spowodować zadławienie i/lub zatrucie.
- Zainstalować urządzenie na sztywnej konstrukcji, aby zapobiec nadmieremu hałasowi i wibracjom.
- Poziom dźwięku A nie przekracza 70 dB.
- W sklepach, w przemyśle lekkim i w gospodarstwach rolnych urządzenie powinni obsługiwać profesjonalni lub przeszkoleni użytkownicy, a w środowisku handlowym mogą to być osoby nieposiadające fachowej wiedzy.

## <NORSK>

Originalspråket er engelsk. De andre språkversjonene er oversettelser av originalen.

### ▲ FORSIKTIG

- Kjølemiddellekkasje kan forårsake kvelning. Sørg for ventilering i samsvar med EN378-1.
- Pass på at isoleringen pakkes godt rundt røret. Direkte kontakt med ukledte rør kan forårsake brannskader eller forfrysninger.
- Aldri plasser batteri i munnen, da dette kan medføre en risiko for at du svelger batteriet ved et uhell.
- Hvis du svelger et batteri, kan du risikere kvelning og/eller forgiftning.
- Installer enheten på en stabil struktur for å forhindre uønsket mye driftstøy eller vibrering.
- Det A-vektede lydtryknivået er under 70 dB.
- Dette apparatet er ment for bruk av eksperter eller faglært personell i butikker, lettindustri og på gårder, eller for kommersielt bruk av ikke-fagmenn.

## <SUOMI>

Englanti on alkuperäinen. Muut kieliversiot ovat alkuperäiskappaleen käännoksiä.

### ▲ HUOMIO

- Vuotava kylmäaine voi aiheuttaa tukehtumisen. Ilmanvaihdon on oltava EN378-1-standardin mukainen.
- Käähän putken ympärille eristysmateriaalia. Paljaan putken koskettamisesta voi seurata palo- tai paleltumavammoja.
- Älä koskaan laita paristoja suuhun, jotta et vahingossa nielaisisi niitä.
- Paristojen nieleminen voi aiheuttaa tukehtumisen ja/tai myrkytyksen.
- Asenna yksikkö tukeviin rakenteisiin, jotta sen käytöstä ei syntyisi ylimääräistä ääntä tai värinää.
- A-painotettu äänenpainetaso on alle 70 dB.
- Laite on tarkoitettu asiantuntijoiden tai laitteelle koulutuksen saaneiden käyttöön kaupossa, pienteollisuudessa ja maataloilla tai maailloille kaupalliseen käyttöön.

## <ČEŠTINA>

Originál je v angličtině. Ostatní jazykové verze jsou překladem originálu.

### ▲ POZOR

- Únik chladicího média může způsobit udušení. Zajistěte větrání v souladu s normou EN 378-1.
- Okolo potrubí vždy omotejte izolací. Přímý kontakt s obnaženým potrubím může způsobit popálení nebo omrzliny.
- Nikdy nevklaďte baterie do úst, aby nedošlo k jejich polknutí.
- Polknutí baterie může způsobit zadušení a/nebo otrávu.
- Jednotku nainstalujte na pevnou konstrukci, aby nedocházelo ke vzniku nadměrného provozního hluku a vibrací.
- Hladina akustického tlaku A je nižší než 70 dB.
- Toto zařízení je určeno pro prodejny, lehký průmysl a farmy, kde je musí obsluhovat odborníci a školení uživatelé, a pro komerční použití, kde je mohou obsluhovat laici.

## <SLOVENČINA>

Peklad anglického originálu. Všetky jazykové verzie sú preložené z angličtiny.

### ▲ UPOZORNENIE

- Únik chladiva môže spôsobiť udusenie. Zabezpečte vetranie podľa normy EN 378-1.
- Nezabudnite potrubie obaliť izoláciou. Priamy kontakt s nezabaleným potrubím môže spôsobiť popálenie alebo omrzliny.
- Batérie si nikdy z akéhokoľvek dôvodu nekladte do úst, aby nedošlo k ich náhodnému požitiu.
- Požitie batérií môže vyvolať dusenie a/alebo otrávu.
- Nainštalujte jednotku na pevný konštrukčný prvok, aby ste obmedzili nadmerný prevádzkový hluk a vibrácie.
- Hladina akustického tlaku A je nižšia ako 70 dB.
- Toto zariadenie je určené na používanie odborníkmi alebo zaškolenými používateľmi v komerčných priestoroch, v prostredí ľahkého priemyslu, na farmách, alebo na komerčné použitie bežnými používateľmi.

## <MAGYAR>

Az angol változat az eredeti. A többi nyelvi változat az eredeti fordítása.

### ▲ VIGYÁZAT

- A hűtőközeg szivárgása fulladást okozhat. Gondoskodjon az EN378-1 szabvány elõírásai szerinti szellõzésrõl.
- Feltétlenül szigetelje körbe a csõveket. A csupasz csõ megérintése égési vagy fagyási sérülést okozhat.
- Ne vegyen a szájába elemet semmilyen célból, mert véletlenül lenyelheti!
- A lenyelt elem fulladást és/vagy mérgezést okozhat.
- A készüleket merev szerkezetre szerelje fel, hogy megakadályozza a túlzott üzemi zajt és vibrációt.
- Az A-súlyozott hangnyomásszint 70 dB alatt van.
- A készülék üzletek, a könnyûipar és gazdaságok szakértõ vagy képzett felhasználói, valamint laikus felhasználók általi kereskedelmi használatra készült.

## <SLOVENŠČINA>

Izvirnik je v angleščini. Druge jezikovne različice so prevodi izvirnika.

### ▲ POZOR

- Puščanje hladiva lahko povzroči zadušitev. Zagotovite prezračevanje po standardu EN378-1.
- Cevi ovijte z izolacijo. Neposredni stik z golimi cevmi lahko povzroči opekline ali ozebline.
- Nikoli in iz nobenega razloga ne vstavljajte baterij v usta, da jih po nesreči ne pogoltnete.
- Če baterije pogoltnete, se lahko zadužite in/ali zastupite.
- Enoto namestite na togo konstrukcijo, da preprečite pretiran zvok ali tresljaje med delovanjem.
- A-utežena raven zvočnega tlaka je pod 70 dB.
- Naprava je namenjena za uporabo s strani strokovnih ali ustrezno usposobljenih uporabnikov v trgovinah, lahki industriji in na kmetijah ter za komercialno uporabo s strani nestrokovnih uporabnikov.

## <ROMÂNĂ>

Textul original este în limba engleză. Versiunile pentru celelalte limbi sunt traduceri ale originalului.

### ▲ ATENȚIE

- Scurgerea de agent frigorific poate cauza asfixierea. Asigurați o ventilație corespunzătoare, conform standardului EN378-1.
- Asigurați-vă că înfășurați materialul izolator în jurul conductelor. Contactul direct cu conductele neizolate se poate solda cu arsuri sau degerături.
- Nu introduceți niciodată și pentru niciun motiv bateriile în gură, pentru a evita ingerarea accidentală a acestora.
- Ingerarea bateriilor poate cauza sufocarea și/sau intoxicarea.
- Instalați unitatea pe o structură rigidă pentru a preveni producerea unui nivel excesiv de sunete sau vibrații.
- Nivelul de presiune acustică ponderat în A este mai mic de 70 dB.
- Acest aparat este destinat utilizării de către utilizatori specializați sau instruiți în cadrul spațiilor comerciale, spațiilor din cadrul industriei ușoare și al fermelor sau în scopuri comerciale de către nespecialiști.

## <EESTI>

Originaaljuhend on ingliskeelne. Muudes keeltes versioonid on originaali tõlked.

### ▲ ETTEVAATUST!

- Külmaaine leke võib põhjustada lämbumist. Tuulutamine standardi EN378-1 kohaselt.
- Märkige torude ümber kindlasti isolatsiooni. Vahetu kontakt paljaste torudega võib põhjustada põletusi või külmakahjustusi.
- Hoiduge patareide tahmatust allaneelamisest, ärge kunagi pange ühelgi põhjusel patareisid suhu.
- Patarei allaneelamine võib põhjustada lämbumist ja/või mürgitust.
- Paigaldage seade järgale struktuurile, et vältida ülemäärast tööheli ja vibreerimist.
- A-filtriga helirõhu tase on madalam kui 70 dB.
- Seade on mõeldud kasutamiseks asjatundjatele ja väljaõppe läbinud kasutajatele poodides, kergtööstuses ja taludes ning kommerskasutuseks tavaisikute poolt.

## <LATVIŠKI>

Orģināls ir angļu valodā. Versijas citās valodās ir oriģināla tulkojums.

### ▲ UZMANĪBU

- Aukstumaģenta noplūdes gadījumā pastāv nosmakšanas risks. Ir jānodrošina standartam EN378-1 atbilstoša ventilāšana.
- Aptiniet caurules ar izolējošu materiālu. Pieskaroties neaptītām caurulēm, var gūt apdegumus vai apsaldējumus.
- Aizliegts ievietot baterijas mutē; pastāv norīšanas risks.
- Bateriju norīšana var izraisīt aizrīšanas un/vai saindēšanas.
- Uzstādiet iekārtu uz izturīgas struktūras, lai izvairītos no pārlietu liela darbības trokšņa vai vibrācijas.
- A — izsvārotais skaņas spiediena līmenis ir mazāks par 70 dB.
- Šo iekārtu paredzēts lietot speciālistiem vai apmācītiem lietotājiem veikalos, vieglās rūpniecības telpās un lauksaimniecības fermās, kā arī to var lietot nespeciālisti komerciālām vajadzībām.

## <LIETUVIŠKAI>

Originalas yra anglų k. Versijos kitomis kalbomis yra originalo vertimas.

### ▲ ATSARGIAI

- Dėl šaltnešio nuotėkio galima uždušti. Išvėdinkite patalpas pagal EN378-1.
- Būtinai vamzdelius apvyniokite izoliacija. Prisilietus prie plikų vamzdelių galima nusideginti arba nušalti.
- Siekdami išvengti atsiktinio prarijimo, niekada nedėkite baterijų į burną.
- Prarijus bateriją galima užspringti ir / arba apsinuodyti.
- Įrenginį sumontuokite ant tvirtos struktūros, kad nesigirdėtų pernelyg didelio veikimo triukšmo ar vibracijos.
- A svertinis garso slėgio lygis nesiekia 70 dB;
- Šis prietaisas skirtas naudoti specialistui ar išmokytiems naudotojams dirbtuvėse, lengvojoje pramonėje arba komerciniam naudojimui nespecialistams.

## <HRVATSKI>

Tekst je izvorno napisan na engleskom jeziku. Tekst na ostalim jezicima predstavlja prijevod izvorno napisanog teksta.

### ▲ OPREZ

- Curenje rashladnog sredstva može uzrokovati gušenje. Osigurajte ventilaciju u skladu s normom HR EN378-1.
- Obavezno stavite izolaciju oko položenih cijevi. Izravni doticaj s golim cijevima može dovesti do opekлина ili smržavanja.
- Nikada ne stavljajte baterije u usta ni zbog kojeg razloga kako biste izbjegli slučajno gutanje.
- Gutanje baterija može prouzročiti gušenje i/ili trovanje.
- Postavite jedinicu na čvrstu strukturu kako biste izbjegli prebučan zvuk tijekom rada ili pojavu vibracija.
- Razina zvučnog tlaka A niža je od 70dB.
- Ovak uređaj mogu upotrebljavati stručnjaci ili osposobljeni korisnici u trgovinama, lakoj industriji i na poljoprivrednim gospodarstvima ili laici u komercijalne svrhe.

## <SRPSKI>

Prevod originala. Verzije na drugim jezicima su prevodi originala.

### ▲ OPREZ

- Curenje rashladne tečnosti može da dovede do gušenja. Obezbedite ventilaciju u skladu sa EN378-1.
- Obavezno obmotajte izolaciju oko cevi. Direktno kontakto sa golom cevi može izazvati opekotine ili promrzline.
- Nikada nemojte stavljati baterije u usta iz bilo kog razloga, kako bi se sprečilo slučajno gutanje.
- Gutanje baterija može da izazove gušenje i/ili trovanje.
- Ugradite jedinicu na čvrstu strukturu kako biste sprečili previše jak zvuk rada ili vibracije.
- A-ponderisani nivo jačine pritiska zvuka je ispod 70 dB.
- Ovak uređaj je namenjen za upotrebu od strane stručnjaka ili obučanih korisnika u prodavnicama, u lakoj industriji i na farmama ili za komercijalnu upotrebu od strane nekvalifikovanih lica.



Please be sure to put the contact address/telephone number on this manual before handing it to the customer.

**mitsubishi electric corporation**

HEAD OFFICE: TOKYO BUILDING, 2-7-3, MARUNOUCHI, CHIYODA-KU, TOKYO 100-8310, JAPAN

# Air to Water Heat Pump SUZ-SWM·VA(H) series SUZ-SHWM·VAH series

INSTALLATION MANUAL	FOR INSTALLER	English
INSTALLATIONSHANDBUCH	FÜR INSTALLATEURE	Deutsch
MANUEL D'INSTALLATION	POUR L'INSTALLATEUR	Français
INSTALLATIEHANDLEIDING	VOOR DE INSTALLATEUR	Nederlands
MANUAL DE INSTALACIÓN	PARA EL INSTALADOR	Español
MANUALE DI INSTALLAZIONE	PER L'INSTALLATORE	Italiano
ΕΓΧΕΙΡΙΔΙΟ ΟΔΗΓΙΩΝ ΕΓΚΑΤΑΣΤΑΣΗΣ	ΓΙΑ ΑΥΤΟΝ ΠΟΥ ΚΑΝΕΙ ΤΗΝ ΕΓΚΑΤΑΣΤΑΣΗ	Ελληνικά
MANUAL DE INSTALAÇÃO	PARA O INSTALADOR	Português
INSTALLATIONSMANUAL	TIL INSTALLATØREN	Dansk
INSTALLATIONSMANUAL	FÖR INSTALLATÖREN	Svenska
MONTAJ ELKİTABI	MONTÖR İÇİN	Türkçe
РУКОВОДСТВО ПО УСТАНОВКЕ	ДЛЯ УСТАНОВИТЕЛЯ	Русский
ПОСІБНИК З УСТАНОВЛЕННЯ	ДЛЯ СПЕЦІАЛІСТА З МОНТАЖУ	Українська
РЪКОВОДСТВО ЗА МОНТАЖ	ЗА МОНТАЖНИКА	Български
INSTRUKCJA MONTAŻU	DLA INSTALATORA	Polski
INSTALLASJONSHÅNDBOK	FOR MONTØR	Norsk
ASENNUSOPAS	ASENTAJALLE	Suomi
INSTALAČNÍ PŘÍRUČKA	PRO MONTÁŽNÍ PRACOVNÍKY	Čeština
NÁVOD NA INŠTALÁCIU	PRE MONTÉRA	Slovenčina
TELEPÍTÉSI KÉZIKÖNYV	A TELEPÍTŐ RÉSZÉRE	Magyar
NAMESTITVENI PRIROČNIK	ZA MONTERJA	Slovenščina
MANUAL DE INSTALARE	PENTRU INSTALATOR	Română
PAIGALDUSJUHEND	PAIGALDAJALE	Eesti
MONTĀŽAS ROKASGRĀMATA	UZSTĀDĪŠANAS SPECIĀLISTAM	Latviski
MONTAVIMO VADOVAS	SKIRTA MONTUOTOJUI	Lietuviškai
PRIRUČNIK ZA POSTAVLJANJE	ZA INSTALATERA	Hrvatski
UPUTSTVO ZA UGRADNJU	ZA MONTERA	Srpski

1. Atsargumo priemonės .....	1	6. Elektros darbai .....	9
2. Montavimo vietos išrinkimas .....	3	7. Priežiūra .....	10
3. Montavimo schema .....	5	8. Vandens vamzdelių jungimo darbai .....	11
4. Išorinio įrenginio drenažinių vamzdelių formavimas .....	5	9. Išpumpavimas .....	13
5. Šaltnešio vamzdelių jungimo darbai .....	6	10. Specifikacijos .....	14



**Pastaba.** Šio simbolio ženklas skirtas tik ES šalims.

Šio simbolio ženklas atitinka direktyvos 2012/19/ES 14 straipsnį dėl informacijos naudotojams ir IX priedą.

Jūsų „MITSUBISHI ELECTRIC“ gaminyje suprojektuotas ir pagamintas iš aukštos kokybės medžiagų ir komponentų, kuriuos galima perdirbti ir naudoti pakartotinai.

Šis simbolis reiškia, kad nebenaudojama elektros ir elektroninė įranga turi būti šalinama atskirai nuo namų ūkio atliekų.

Šią įrangą tinkamai šalinkite vietiniame atliekų surinkimo punkte / perdirbimo centre.

Europos Sąjungoje veikia atskiri atliekų surinkimo punktai, skirti elektros ir elektroniniams gaminiams.

Padėkite mums saugoti aplinką, kurioje gyvename!


## **ATSARGIAI.**

• R32 neišleiskite į atmosferą.

## 1. Atsargumo priemonės

- ▶ Prieš montuodami įrenginį būtina perskaitykite visas „Atsargumo priemonės“.
- ▶ Prieš jungdami prie sistemos, apie tai praneškite energiją tiekiančiai įmonei arba gaukite jos sutikimą.

Kai montavimo darbai bus baigti, pagal naudojimo vadove pateiktą informaciją klientui paaiškinkite „Atsargumo priemonės“, kaip naudoti ir prižiūrėti įrenginį bei normaliam veikimui užtikrinti atlikite testavimą. Naudotojui saugoti duokite montavimo vadovą ir naudojimo vadovą. Šie vadovai turi būti perduoti sekantiems naudotojams.

 : nurodo dalį, kurią reikia įžeminti.

## **ISPĖJIMAS.**

Apibūdina atsargumo priemones, kurių būtina laikytis naudotojui, kad išvengtų sužalojimo ar mirties pavojaus.

## **ISPĖJIMAS.**





Atidžiai perskaitykite prie pagrindinio įrenginio pritvirtintas etiketes.

Ⓞ : Nurodo įspėjimus ir perspėjimus, kai naudojamas R32 šaltnešis.

## **ATSARGIAI.**

Apibūdina atsargumo priemones, kurių būtina laikytis, norint išvengti įrenginio sugadinimo.

## ANT VIDINIO / IŠORINIO ĮRENGINIO MATOMŲ SIMBOLIŲ REIKŠMĖS

	<b>ISPĖJIMAS</b> (Gaisro pavojus)	Šis ženklas skirtas tik R32 šaltnešiui. Šaltnešio tipas įrašytas išorinio įrenginio vardinių duomenų lentelėje. Jei šaltnešis yra R32 tipo, šiame įrenginyje naudojamas degus šaltnešis. Šaltnešiui pratekėjus ir patekus šalia ugnies ar šildymo dalies, susidarys žalingų dujų ir kils gaisro pavojus.
	Prieš naudojimą atidžiai perskaitykite NAUDOJIMO VADOVĄ.	
	Prieš naudojimą techninės priežiūros darbuotojai turi atidžiai perskaityti NAUDOJIMO VADOVĄ ir MONTAVIMO VADOVĄ.	
	Daugiau informacijos pateikiama NAUDOJIMO VADOVE, MONTAVIMO VADOVE ir pan.	

## **ISPĖJIMAS.**

- Draudžiama naudotojui montuoti įrenginį. Paprašykite prekybos atstovo arba įgaliotojo techniko sumontuoti ir suremontuoti įrenginį. Tinkamai nesumontavus įrenginio, gali atsirasti vandens nuotėkis, galima patirti elektros šoką arba gali kilti gaisras.
- Prareikrus atlikti montavimo ir perkėlimo darbus, laikykitės montavimo vadove pateiktų instrukcijų ir naudokite įrankius ir vamzdelių sudedamąsias dalis, kurios konkrečiai pagamintos naudoti su R32 šaltnešiu. Jei naudojami ne R32 šaltnešiui skirtų vamzdelių komponentai, o įrenginys tinkamai nesumontuotas, vamzdeliai gali trūkti ir sukelti žalą arba sužaloti. Be to, gali atsirasti vandens nuotėkis, galima patirti elektros šoką arba gali kilti gaisras.
- Įrenginį būtina sumontuoti pagal instrukcijas, kad sumažėtų žalos tikimybė dėl žemės drebėjimų, uraganų ar stiprių vėjų pavojus. Netinkamai sumontuotas įrenginys gali krisdamas sužaloti ar sukelti žalą.
- Įrenginį būtina saugiai sumontuoti ant struktūros, galinčios atlaikyti jo svorį. Įrenginį sumontavus ant nestabilios konstrukcijos, jis gali nukristi ir sukelti žalą arba sužaloti.
- Jei oro ir vandens šilumos siurblys montuojamas mažoje patalpoje, būtina imtis priemonių, padėsiančių užtikrinti, kad, pratekėjus šaltnešiui, jo koncentracija patalpoje neviršys saugios ribos. Kreipkitės į prekybos atstovą dėl tinkamų priemonių, neleidžiančių viršyti leistinos koncentracijos. Pratekėjus šaltnešiui ir jam viršijant koncentracijos ribą, dėl deguonies trūkumo kambaryje gali kilti pavojus.
- Išvėdinkite kambarį, jei veikimo metu pratekėjo šaltnešis. Šaltnešio sąlyčio su ugnimi atveju gali susidaryti nuodingų dujų.

- Visus elektros darbus turi atlikti kvalifikuotas technikas, remdamasis vietiniais nuostatais ir šiame vadove pateiktomis instrukcijomis. Įrenginiai turi būti maitinami numatytų maitinimo linijų, turi būti naudojama tinkama įtampa ir srovės pertraukikliai. Naudojant nepakankamos galios maitinimo linijas arba netinkamai atlikus elektros darbus, galima patirti elektros šoką arba gali kilti gaisras.
- Naudokite C1220 vario fosforą variniams ir vario lydinio besiūliams vamzdeliams, kad galėtumėte prijungti šaltnešio vamzdelius. Vamzdelius prijungus netinkamai, įrenginys nebus tinkamai įžemintas, todėl galima patirti elektros šoką.
- Šis prietaisas skirtas naudoti specialistui ar išmokytiems naudotojams dirbtuvėse, lengvojoje pramonėje ar ūkiuose arba komerciniam naudojimui nespecialistams.
- Elektros instaliacijai naudokite tik nurodytus laidus. Elektros instaliacijos jungtis būtina atlikti saugiai, neįtempiant gnybtų jungčių. Be to, niekada nesudurkite elektros instaliacijos laidų (išskyrus atvejus, kai šiame dokumente nurodyta kitaip). Nesilaikant šių instrukcijų gali įvykti perkaitimas arba kilti gaisras.
- Jeigu pažeistas maitinimo laidas, siekiant išvengti pavojaus, jį turi pakeisti gamintojas, jo serviso atstovas arba panašią kvalifikaciją turintis asmuo.
- Prietaisą būtina montuoti atsižvelgiant į nacionalinius elektros instaliacijos nuostatus.
- Pasirūpinkite, kad išorinio įrenginio gnybtų plokštelė būtų gerai pritvirtinta. Netinkamai sumontavus dangčio plokštelę ir į įrenginį patekus dulkių ir drėgmės, galima patirti elektros šoką arba gali kilti gaisras.

# 1. Atsargumo priemonės

- Montuodami, perkeldami oro ir vandens šildymo siurblių arba atlikdami jo techninę priežiūrą, šaltnešio linijoms užpildyti naudokite tik nurodytą šaltnešį (R32). Nemaišykite jo su jokia kitu šaltnešiu ir neleiskite linijose likti oro.  
Orui susimaišius su šaltnešiu, šaltnešio linijoje gali sudaryti neįprastai aukštas slėgis, todėl gali įvykti sproginimas ir kilti kitų pavojų. Naudojant kitą nei šiai sistemai nurodytą šaltnešį gali įvykti mechaninis gedimas, sutrikti sistemos darbas arba sugesti įrenginys. Blogiausia atveju, tai gali būti rimta kliūtis gaminio saugumui užtikrinti.
- Naudokite tik „Mitsubishi Electric“ patvirtintus priedus ir kreipkitės į prekybos atstovą arba įgaliotąjį techniką, kad juos sumontuotų. Tinkamai nesumontavus priedų, gali atsirasti vandens nuotėkis, galima patirti elektros šoką arba gali kilti gaisras.
- Nekeiskite įrenginio. Gali kilti gaisras, galima patirti elektros šoką, sužalojimą ar gali atsirasti vandens nuotėkis.
- Naudotojui draudžiama pačiam bandyti remontuoti įrenginį arba jį perkelti į kitą vietą. Tinkamai nesumontavus įrenginio, gali atsirasti vandens nuotėkis, galima patirti elektros šoką arba gali kilti gaisras. Jei oro ir vandens šilumos siurblių būtina remontuoti arba perkelti, dėl to kreipkitės į prekybos atstovą arba įgaliotąjį techniką.
- Kai šaltnešio grandinėje yra protėkis, NEVAKUUMUOKITE naudodami kompresorių.
- Jei vakuumuojate šaltnešį, kompresorių sustabdykite prieš atjungdami šaltnešio vamzdelius. Į kompresorių patekus orui ar pan., jis gali sprogti.
- Baigus montuoti, patikrinkite, ar šaltnešis neprateka. Jei šaltnešis prateka į kambarį ir kontaktuoja su šildytuvu arba nešiojamosios viryklės liepsna, gali imti sklįsti nuodingos dujos.
- Atitirpimo procesą pagreitinanti įrenginį valyti galima tik naudojant gamintojo rekomenduojamas priemones.
- Prietaisas turi būti laikomas patalpoje, kurioje nėra nuolat veikiančių degimo šaltinių (pavyzdžiui: atviros liepsnos, veikiančio dujinio įrenginio ar elektrinio šildytuvo).
- Nepradurkite ir nedeginkite.
- Žinokite, kad šaltnešis neturi skleisti jokio kvapo.
- Vamzdelius būtina saugoti nuo fizinės žalos.
- Vamzdelių montavimo darbai turi būti kuo paprastesni.
- Būtina laikytis nacionalinių dujų nuostatų.
- Palikite neuždengtą reikiamas vėdinimo angas.
- Atlikdami šaltnešio vamzdelių litavimo darbus, nenaudokite žemos temperatūros litavimo lydinio.
- Kai atliekate litavimo darbus, būtinai pakankamai išvėdinkite kambarį. Įsitikinkite, kad netoli nėra pavojingų arba degių medžiagų.
- Kai dirbate uždareme ar nedideliame kambaryje arba panašioje vietoje, prieš pradėdami dirbti įsitikinkite, kad šaltnešis neprateka. Jei šaltnešis prateka ir kaupiasi, jis gali užsidegti arba gali imti sklįsti nuodingos dujos.
- Prietaisas turi būti laikomas gerai vėdinamoje vietoje – joje kambario dydis turi atitikti veikimui nustatytą kambario plotą.
- Dujas deginančius prietaisus, elektrinius šildytuvus ir kitus ugnies šaltinius (degimo šaltinius) laikykite atokiau nuo oro ir vandens šildymo siurblio montavimo, remonto ir kitų jo darbų vykdymo vietos.
- Šaltnešio sąlyčio su ugnimi atveju gali susidaryti nuodingų dujų.
- Dirbdami ir transportuodami nerūkykite.
- Nepripilkite šaltnešio daugiau nei reikia į kiekvieną išorinį įrenginį. Jei viršijamas didžiausias šaltnešio kiekis, šaltnešiui pratekėjus gali kilti gaisras.

## 1.1. Prieš montavimą



### ATSARGIAI.

- Nenaudokite įrenginio neįprastoje aplinkoje. Oro ir vandens šilumos siurblių sumontavus garų, lakios alyvos (įskaitant mašininę alyvą) ar sieringų dujų veikiamose vietose, taip pat itin druskingose vietose, pvz., paplūdimyje, arba vietose, kur įrenginys bus padengtas sniegu, veikimo savybės gali žymiai suprastėti ir gali būti pažeistos vidinės dalys.
- Nemontuokite įrenginio vietose, kuriose gali pratekėti, susidaryti, tekėti arba kaupis degios dujos. Jei aplink įrenginį kaupiasi degios dujos, gali kilti gaisras arba sproginimas.
- Naudojant šildymo funkciją, išorinis įrenginys skleidžia kondensatą. Jei tikėtina, kad kondensatas gali sukelti žalą, pasirūpinkite drenažu aplink išorinį įrenginį.
- Kai įrenginį montuojate ligoninėje arba komunikacijų biure, būkite pasiruošę triukšmui ir elektroniniams trikdžiams. Dėl inverterių, namų prietaisų, aukšto dažnio medicinos įrangos ir radijo ryšio įrangos, oro ir vandens šilumos siurblio veikimas gali sutrikti arba jis gali sugesti. Be to, oro ir vandens šilumos siurblys gali daryti poveikį medicinos įrangai – jis gali trikdyti medicinines priežiūros ir ryšio įrangos veikimą, kenkti ekrano rodinčių kokybei.

## 1.2. Prieš montavimą (perkėlimą)



### ATSARGIAI.

- Įrenginius transportuokite ir montuokite itin atsargiai. Įrenginiui nešti reikalingi du ar daugiau asmenų, kadangi jis sveria 20 kg ar daugiau. Neimkite už pakavimo juostų. Išimdami įrenginį iš pakuotės ir jį perkeldami, mūvėkite apsaugines pirštines, kad į briauneles ar kitų dalių kraštą nesusižalotumėte rankų.
- Būtinai saugiai išmeskite pakavimo medžiagas. Pakavimo medžiagos, kaip antai vinys ir kitos metalinės arba medinės dalys, gali įdurti arba kitaip sužeisti.
- Periodiškai tikrinkite išorinio įrenginio pagrindą ir tvirtinimo dalis, ar jos neatsilaisvinę, nesutrūkinėję ar kitaip nepažeistos. Nepašalinus tokių trūkumų, įrenginys gali nukristi ir sukelti žalą arba sužaloti.
- Nevalykite oro ir vandens šilumos siurblio įrenginio vandeniu. Galite patirti elektros šoką.
- Pagal techninius duomenis dinamometriniu raktu priveržkite visas valcuotas veržles. Jei priveršite per daug, ilgainiui valcuota veržlė gali lūžti ir gali atsirasti šaltnešio nuotėkis.

## 1.3. Prieš elektros darbus



### ATSARGIAI.

- Būtinai sumontuokite grandinės pertraukiklius. Jų nesumontavus galima patirti elektros šoką.
- Maitinimo linijoms naudokite pakankamos galios standartinius laidus. Antraip gali įvykti trumpasis jungimas, perkaitimas arba kilti gaisras.
- Kai montuojate maitinimo linijas, neįtempkite laidų. Jei jungtys nebus priveržtos, laidai gali būti prispausti arba lūžti, todėl jie gali perkaiti arba gali kilti gaisras.
- Būtinai įžeminkite įrenginį. Nejunkite įžeminimo laido prie dujotiekio, vandentiekio vamzdžių, žaibolaidžių ar telefono įžeminimo linijų. Tinkamai neįžeminus įrenginio galima patirti elektros šoką.
- Naudokite nurodytos galios grandinės pertraukiklius (pertraukiklį dėl įžeminimo klaidos, atskyrimo jungiklį (+B saugiklis) ir lieto korpuso grandinės pertraukiklį). Jei grandinės pertraukiklio galia didesnė už nurodytą, gali įvykti gedimas arba kilti gaisras.

# 1. Atsargumo priemonės

## 1.4. Prieš pradėdant testavimą

### **ATSARGIAI.**

- Įjunkite pagrindinį maitinimo jungiklį, likus daugiau kaip 12 valandų iki darbo pradžios. Jei įrenginys bus paleistas po to, kai ką tik buvo įjungtas maitinimo jungiklis, vidinės dalys gali būti rimtai pažeistos. Eksploatavimo sezonu pagrindinį maitinimo jungiklį laikykite įjungtą.
- Prieš įjungdami įrenginį patikrinkite, ar visi skydai, apsaugos ir kitos apsauginės dalys sumontuotos tinkamai. Sukamosios, įkaitusios arba aukštosios įtampos dalys gali sužaloti.

- Jokių jungiklių nelieskite drėgnomis rankomis. Galite patirti elektros šoką.
- Įrenginiui veikiant, nepridengtomis rankomis nelieskite šaltnešio vamzdelių. Priklausomai nuo tekančio šaltnešio būsenos šaltnešio vamzdeliai yra karšti arba šalti. Prilietus vamzdelius galima nusideginti arba nušalti.
- Kai įrenginys buvo sustabdytas, prieš išjungdami pagrindinį maitinimo jungiklį, palaukite bent penkias minutes. Antraip gali pratekėti vanduo arba kilti gedimas.

## 1.5. Oro ir vandens šilumos siurblio R32 šaltnešio naudojimas

### **ATSARGIAI.**

- Naudokite C1220 vario fosforą variniams ir vario lydinio besiūliams vamzdeliams, kad galėtumėte prijungti šaltnešio vamzdelius. Įsitikinkite, kad vamzdelių vidinė dalis yra švari, joje nėra jokių žalingų teršalų, pvz., sieros junginių, oksidantų, nuolaužų arba dulkių. Naudokite nurodyto storio vamzdelius. (Žr. 4.1.) Jei pakartotinai naudojate esamus vamzdelius, kuriais tekėjo R22 šaltnešis, atsižvelkite į šiuos punktus.
  - Pakeiskite esamas valcuotas veržles ir dar kartą valcuokite valcuotas dalis.
  - Nenaudokite plonų vamzdelių. (Žr. 4.1.)
- Montuojant naudotinus vamzdelius laikykite viduje, jų abu galai turi būti sandarūs iki pat litavimo. (Neišimkite alkūninių jungčių ir pan. iš jų pakuotės.) Jei į šaltnešio linijas pateks dulkių, nuolaužų ar drėgmės, alyvos kokybė gali suprastėti arba gali sugesti kompresorius.
- Kaip ant valcuotų dalių naudojamą šaldymo alyvą naudokite esterio, eterio arba alkilbenzeno alyvą (nedidelį kiekį). Jei su šaldymo alyva bus maišoma mineralinė alyva, alyvos kokybė gali suprastėti.

- Techninė priežiūra turi būti atliekama tik pagal gamintojo rekomendacijas.
- Naudokite tik R32 šaltnešį. Jeigu naudojamas kitas šaltnešis, dėl chloro pablogės alyvos kokybė.
- Naudokite šiuos įrankius, kurie specialiai skirti naudoti su R32 šaltnešiu. Norint naudoti R32 šaltnešį, reikalingi šie įrankiai. Jei turite kokių nors klausimų, kreipkitės į artimiausią prekybos atstovą.

Įrankiai (skirti R32)	
Kolektooriaus matuoklis	Valcavimo įrankis
Padavimo žarnelė	Dydžio nustatymo matuoklis
Dujų nuotėkio aptiktuvai	Vakuuminio siurblio adapteris
Dinamometrinis raktas	Elektroninės šaltnešio padavimo svarstyklės

- Naudokite tinkamus įrankius. Jei į šaltnešio linijas pateks dulkių, nuolaužų ar drėgmės, šaldymo alyvos kokybė gali suprastėti.

## 2. Montavimo vietos išrinkimas

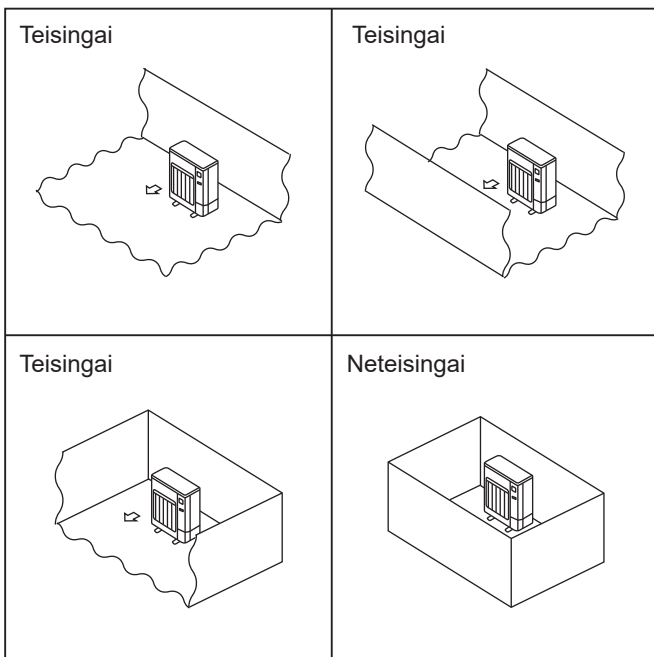


Fig. 2-1

### 2.1. Išorinis įrenginys

- R32 yra sunkesnis už orą (kaip ir kiti šaltnešiai), todėl yra linkęs kauptis ties pagrindu (grindų paviršiuje). R32 susikaupus aplink pagrindą, mažoje patalpoje gali susidaryti degi jo koncentracija. Norint išvengti degimo, būtina pasirūpinti tinkama ventiliacija ir palaikyti saugią darbo aplinką. Įsitikinę, kad patalpoje ar vietoje su nepakankama ventiliacija yra šaltnešio nuotėkis, nenaudokite liepsnos, kol darbo aplinkos sąlygos pagerės pasirūpinus tinkama ventiliacija.
  - Kur įrenginio nepasiektų stiprus vėjas.
  - Kur geras oro cirkulavimas, o oras be dulkių.
  - Ten, kur jis nesukelia oro trūkumo ciklo.
  - Kur kaimynų neerzintų veikiančio įrenginio sklaidžiamas garsas arba karštas oras.
  - Kur siena ar atrama yra tvirta, kad veikimo garsas ir vibracija būtų kuo mažesnė.
  - Kur nekyla degių dujų nuotėkio pavojus.
  - Jei įrenginį montuojate aukštame lygyje, būtina pritvirtinkite įrenginio kojeles.
  - Kur įrenginys gali būti mažiausiai 3 m atstumu nuo televizoriaus ar radijo imtuvo antenos. (Antraip vaizdas gali būti rodomas su trikdžiais arba gali kilti triukšmas).
  - Montuokite vietoje, kur įrenginio neapsnigtų ir neužpustų sniegu. Jei montuojate vietoje, kurioje stipriai sninga, sumontuokite gaubtą, pakylą ar kokią nors apsauginę uždangą.
  - Įrenginį montuokite horizontaliai.
  - Šaltnešio vamzdelių jungtys turi būti prieinamos techninės priežiūros darbams atlikti.
- © Išorinius įrenginius montuokite vietoje, kurioje prie jų būtų galima prieiti bent iš keturių pusių. Be to, vieta turi būti pakankamai didelė be jokių nuolaidžių paviršių. (Fig. 2-1)

### **ATSARGIAI.**

Nemontuokite įrenginio toliau išvardytose vietose, nes jose oro ir vandens šildymo siurblio veikimas gali sutrikti.

- Ten, kur yra pernelyg daug automobilių tepalų.
- Druskingoje aplinkoje, pvz., pajūryje.
- Karštųjų versmių vietovėse.
- Ten, kur yra sulfido dujų.
- Kitose ypatingos atmosferos vietovėse.

Naudojant šildymo funkciją, išorinis įrenginys sklaidžia kondensatą.

Pasirinkite tokią vietą, kurioje išorinis įrenginys ir (arba) grindys nesušlaps išbėgus drenažiniam vandeniui arba nesugadins drenažiniam vandeniui užšalus.

## 2. Montavimo vietos išrinkimas

### 2.2. Minimalus montavimo vietos plotas

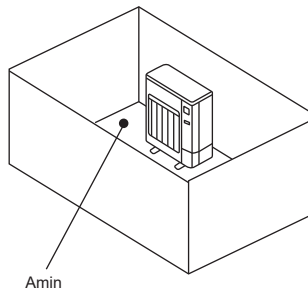
Jei neišvengiamai turite montuoti įrenginį vietoje, kurioje iš visų keturių pusių jis turi kliūčių arba yra nuolaidžių paviršių, įsitikinkite, kad tenkinama viena šių sąlygų (A, B arba C).

**Pastaba.** Šios atsargumo priemonės skirtos saugumui užtikrinti, tačiau nėra techninių savybių garantija.

A) Pasirūpinkite pakankamu montavimo plotu (mažiausias montavimo plotas  $A_{min}$ ).

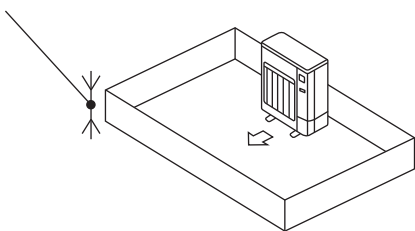
Montuokite vietoje, kurios montavimo plotas yra  $A_{min}$  ar daugiau, atitinkamai parinkdami šaltnešio kiekį  $M$  (gamykloje užpildytas šaltnešio kiekis + vietoje pridėtas šaltnešio kiekis).

M [kg]	$A_{min}$ [m <sup>2</sup> ]
1,0	12
1,5	17
2,0	23
2,5	28
3,0	34
3,5	39
4,0	45
4,5	50
5,0	56
5,5	62
6,0	67
6,5	73
7,0	78
7,5	84

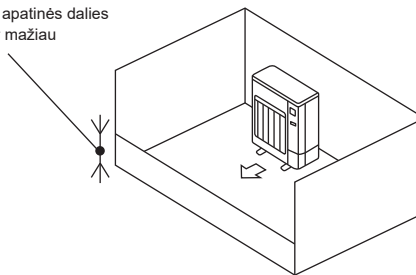


B) Montuokite vietoje, kurioje yra  $\leq 0,125$  [m] aukščio nuolaidus paviršius.

Aukštis nuo apatinės dalies  
0,125 [m] ar mažiau



Aukštis nuo apatinės dalies  
0,125 [m] ar mažiau

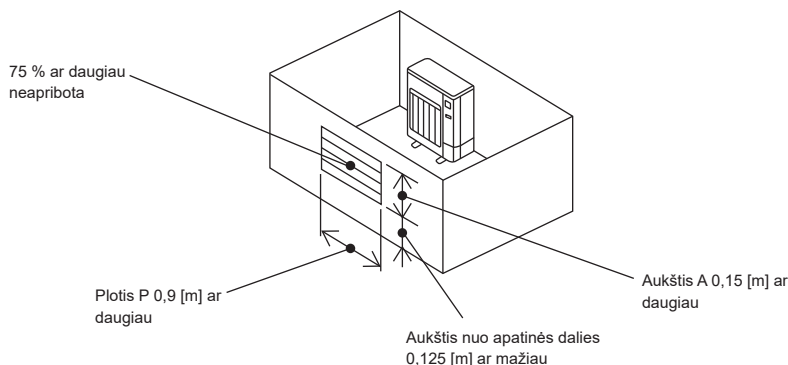


C) Padarykite tinkamą vėdinimui atvirą vietą.

Užtikrinkite, kad atviros vietos plotis yra 0,9 [m] ar daugiau, tuo tarpu atviros vietos aukštis – 0,15 [m] ar daugiau.

Tačiau aukštis nuo montavimo vietos apačios iki atviros vietos apatinio krašto turėtų būti 0,125 [m] ar mažiau.

Atvira vieta turi būti 75 % ar daugiau neapribota.



**Pastaba.** Vidaus įrenginiui netaikomi jokių montavimo apribojimai, nes naudojamas R32 šaltnešis.

Žr. vidaus įrenginio montavimo vadovą ir patikrinkite reikiamą montavimo sritį.

### 3. Montavimo schema

#### 3.1. Išorinis įrenginys (Fig. 3-1)

##### Ventiliacijos ir techninės priežiūros vieta

- Ⓐ 100 mm ar daugiau
- Ⓑ 350 mm ar daugiau
- Ⓒ 500 mm ar daugiau

Jei vamzdelius tvirtinsite prie sienos su metalo dalimis (padengtos skarda) arba metalo tinkleliu, tarp sienos ir vamzdelių įstatykite chemiškai apdirbtą 20 mm arba storesnį medžio gabaliuką arba vamzdelius 7–8 kartus apvyniokite izoliacine vinilo juoste.

Įrenginius turi sumontuoti licencijuotas rangovas pagal vietos kodekso reikalavimus.

- SUZ-SWM80VA2, SUZ-SWM80VAH2, SUZ-SWM100VA, SUZ-SWM100VAH, SUZ-SHWM60VAH

##### Pastaba.

Oro ir vandens šildymo siurbį naudodami esant žemai lauko temperatūrai, būtina laikytis toliau pateiktų nurodymų.

- Išorinio įrenginio niekada nemontuokite ten, kur į įrenginio oro įtraukimo / išleidimo angą tiesiogiai pūstų vėjas.
- Norėdami įrenginį apsaugoti nuo vėjo, išorinį įrenginį montuokite taip, kad jo oro įtraukimo anga būtų nukreipta į sieną.
- Kad apsaugotumėte įrenginį nuo vėjo, rekomenduojame išorinio įrenginio oro išleidimo pusėje sumontuoti apsauginę uždangą.

- SUZ-SWM30VA, SUZ-SWM40VA2, SUZ-SWM60VA2, SUZ-SHWM30VAH, SUZ-SHWM40VAH

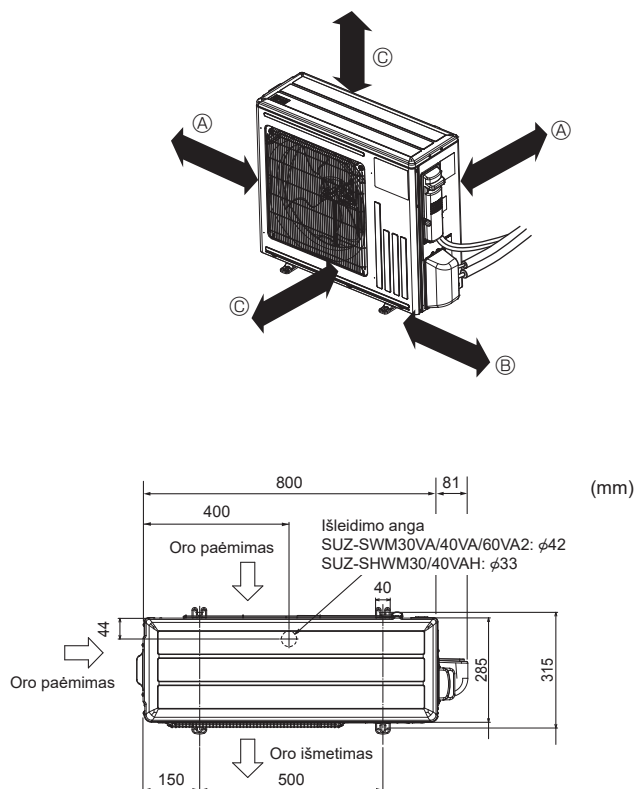
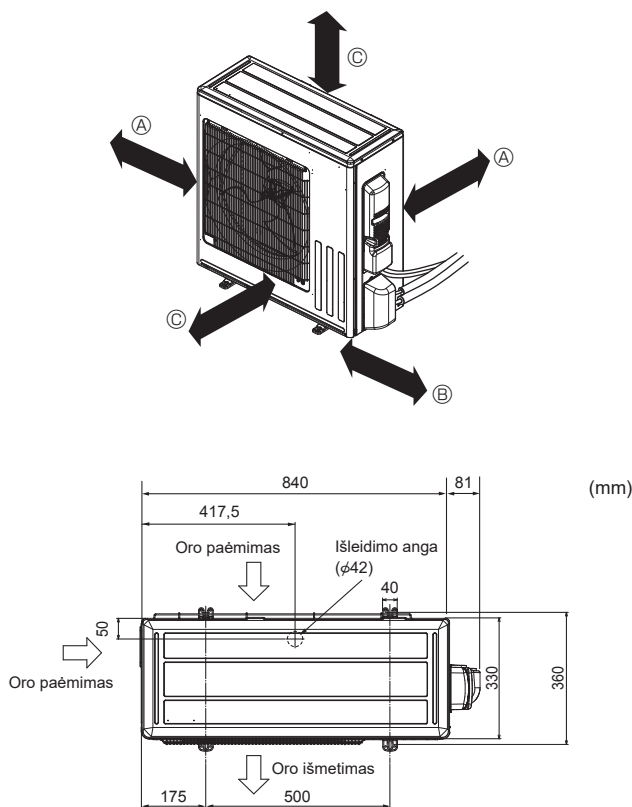


Fig. 3-1

### 4. Išorinio įrenginio drenažinių vamzdelių formavimas (Fig. 4-1)

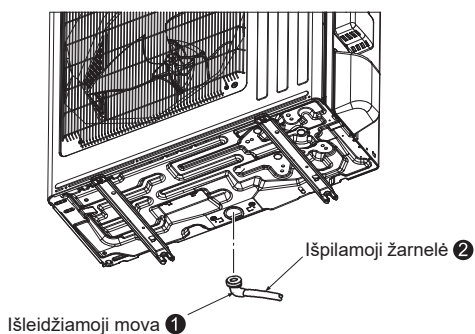


Fig. 4-1

#### 4.1. Priedai

Prieš pradėdami montuoti patikrinkite toliau nurodytas dalis.

<Išorinis įrenginys>

1	Išleidžiamoji mova	1
---	--------------------	---

- Drenažo vamzdelius suformuokite prieš sujungdami vidinio ir išorinio įrenginių vamzdelius. (Jei vidinio ir išorinio įrenginių vamzdeliai bus prijungti prieš drenažinius vamzdelius, išleidžiamąją movą 1 bus sunku sumontuoti, kadangi išorinio įrenginio nebus galima pajudinti.)
- Prijunkite išpilamąją žarnelę 2 (galima įsigyti parduotuvėje, vidinis skersmuo: 15 mm), kaip parodyta drenažo paveikslėlyje.
- Kad srovė lengvai tekėtų, išpilamąją žarnelę būtina nukreipti žemyn.

##### Pastaba.

Išleidžiamosios movos 1 nenaudokite žemos temperatūros regione. Drenažas gali užšalti ir sustabdyti ventilatorių.

Drenažo lizdas nėra įtrauktas į SHWM seriją.

## 5. Šaltnešio vamzdelių jungimo darbai

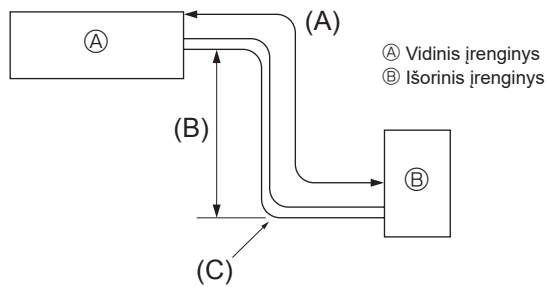


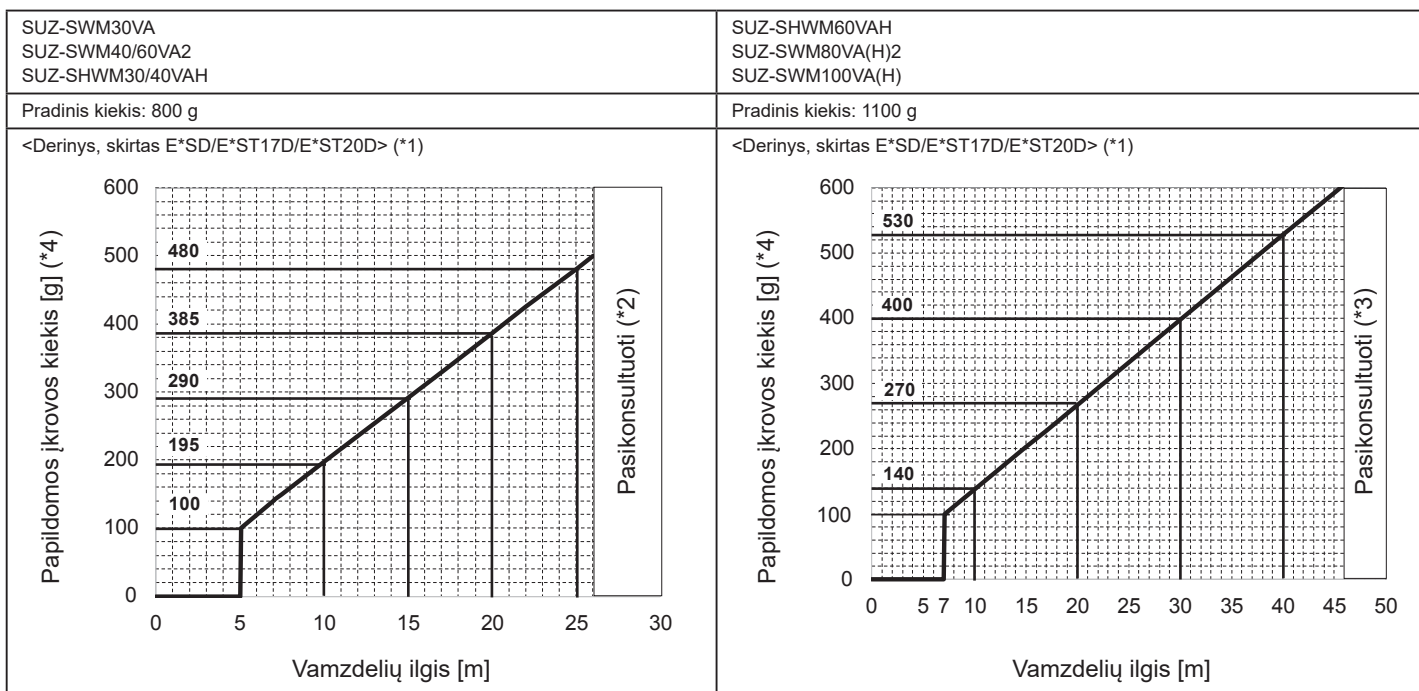
Fig. 5-1

### 5.1. Šaltnešio vamzdelis (Fig. 5-1)

► Patikrinkite, ar vidinio ir išorinio įrenginių aukščių skirtumas, šaltnešio vamzdelio ilgis ir vamzdelio linkių skaičius atitinka toliau nurodytas ribas.

Modeliai	(A) Vamzdelio ilgis (į vieną pusę)	(B) Aukščio skirtumas	(C) Linkių skaičius (į vieną pusę)
SUZ-SWM30VA	2 m - 26 m	Maks. 26 m	Maks. 10
SUZ-SHWM30VAH			
SUZ-SWM40VA2			
SUZ-SHWM40VAH			
SUZ-SWM60VA2	2 m - 46 m	Maks. 30 m	Maks. 10
SUZ-SHWM60VAH			
SUZ-SWM80VA(H)2			
SUZ-SWM100VA(H)			

• Aukščio skirtumo apribojimai yra privalomi, nepaisant to, kuris įrenginys (vidinis ar išorinis) sumontuotas aukščiau.



\*1. Jei prisijungiate prie E\*ST30D, VISADA pridėkite 50 g prie papildomo įkrovimo pagal grafiką.

\*2. Dėl ilgesnių nei 26 m vamzdžių būtina pasitarkite su mūsų specialistu.

\*3. Dėl ilgesnių nei 46 m vamzdžių būtina pasitarkite su mūsų specialistu.

\*4. Visiško įkrovimo atveju; pradinis kiekis + papildomos įkrovos kiekis

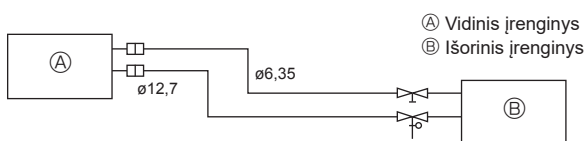


Fig. 5-2

(1) Toliau pateiktoje lentelėje parodyti komerciškai rinkoje platinamų vamzdelių techniniai duomenys. (Fig. 5-2)

Modelis	Vamzdelis	Išorinis skersmuo		Min. sienelės storis	Izoliacijos storis	Izoliacinė medžiaga
		mm	col.			
Visi modeliai	Skysčiui	6,35	1/4	0,8 mm	8 mm	Karščiui atsparus putplastis (savitasis svoris – 0,045)
	Dujoms	12,7	1/2	0,8 mm	8 mm	

(2) Pasirūpinkite, kad 2 šaltnešio vamzdeliai būtų tinkamai izoliuoti, kad nesusidarytų kondensacija.

(3) Šaltnešio vamzdelio lenkimo spindulys turi būti 100 mm ar daugiau.

### ⚠️ ATSARGIAI.

Atidžiai pasirinkite nurodyto storio izoliaciją. Dėl per didelio storio neliks vietos už vidinio įrenginio, o mažesnio storio izoliacija lems rasos lašėjimą.

- Norėdami išvengti degimo, pasirinkite gera ventiliaciją. Be to, imkitės priešgaisrinės saugos priemonių, kad aplinkui nebūtų pavojingų ar degių daiktų.
- R32 papildymas atliekant priežiūrą: prieš pildydami R32 į įrangą, kai atliekate techninę priežiūrą, įsitikinkite, kad nėra jokių elektros kibirkščių, galinčių sukelti sprogamą. Pasirūpinkite, kad įranga 100 % būtų atjungta nuo maitinimo tinklo.
- Izoliuotos medžiagos turi atitikti toliau pateiktas specifikacijas.

(1) Šilumos perdavimo greitis: 0,040 W/mK ar mažiau

(2) Izoliacijos storis: 9 mm arba daugiau

(3) Atsparumas karščiui: 110 °C ar daugiau

Jei vamzdžio ilgis lauke viršija 15 m, izoliacija turi būti 18 mm ar didesnio storio.



## 5. Šaltnešio vamzdelių jungimo darbai

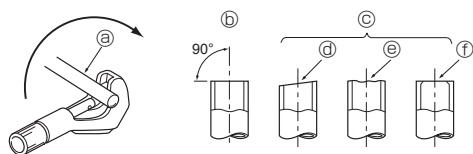


Fig. 5-3

- Ⓐ Variniai vamzdeliai
- Ⓑ Gerai
- Ⓒ Negerai
- Ⓓ Pakrypęs
- Ⓔ Netolygus
- Ⓕ Paviršius su atplaišomis

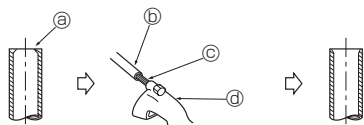


Fig. 5-4

- Ⓐ Atplaiša
- Ⓑ Varinis vamzdis / vamzdelis
- Ⓒ Atsarginis plėstuvus
- Ⓓ Vamzžių pjoviklis

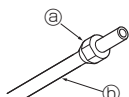


Fig. 5-5

- Ⓐ Valcuota veržlė
- Ⓑ Varinis vamzdelis

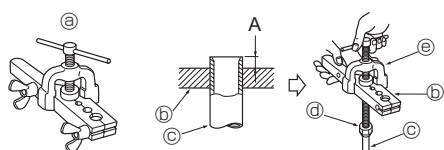


Fig. 5-6

- Ⓐ Valcavimo įrankis
- Ⓑ Sriegiamoji galvutė
- Ⓒ Varinis vamzdelis
- Ⓓ Valcuota veržlė
- Ⓔ Jungė

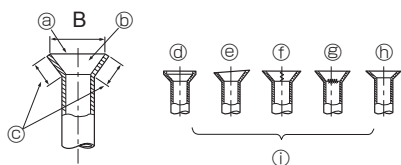


Fig. 5-7

### 5.2. Valcavimas

- Pagrindinė dujų nuotėkio priežastis – valcavimo trūkumai. Valcavimą atlikite tinkamai pagal šią procedūrą.

#### 5.2.1. Vamzdelių pjovimas (Fig. 5-3)

- Vamzžių pjovikliu tinkamai nupjaukite varinį vamzdelį.

#### 5.2.2. Atplaišų šalinimas (Fig. 5-4)

- Iš vamzdžio / vamzdelio pjūvio vietos pašalinkite visas atplaišas.
- Nubraukdami atplaišas apverskite varinį vamzdį / vamzdelį žemyn, kad atplaišos nesukristų į vamzdelio vidų.

#### 5.2.3. Veržlės uždėjimas (Fig. 5-5)

- Iš vidinio ir išorinio įrenginių išsukite valcuotas veržles ir nubraukę atplaišas veržles uždėkite ant vamzdžio / vamzdelio. (po valcavimo jų uždėti nebegalėsite)

#### 5.2.4. Valcavimas (Fig. 5-6)

- Valcavimą atlikite kairėje parodytu valcavimo įrankiu.

Vamzdelio skersmuo (mm)	Matmenys	
	A (mm)	B <sup>+0</sup> <sub>-0,4</sub> (mm)
	Kai naudojamas R32 įrankis	
	Sankabos tipo	
6,35	Nuo 0 iki 0,5	9,1
9,52	Nuo 0 iki 0,5	13,2
12,7	Nuo 0 iki 0,5	16,6
15,88	Nuo 0 iki 0,5	19,7

Tvirtai laikykite varinį vamzdelį sriegiamojoje galvutėje pirmiau pateiktoje lentelėje nurodytame matmenyje.

#### 5.2.5. Patikra (Fig. 5-7)

- Palyginkite valcavimą pagal kairėje pateiktą paveikslą.
- Jei pastebėjote, kad valcuota vieta yra su defektais, nupjaukite valcuotą dalį ir valcuokite iš naujo.

- Ⓐ Glotnus visas paviršius
- Ⓑ Vidinė dalis blizga ir nėra jokių įbrėžimų
- Ⓒ Visur vienodas ilgis
- Ⓓ Pėmelyg nelygus paviršius
- Ⓔ Pakrypęs
- Ⓕ Įbrėžimai ant valcuotos plokštumos
- Ⓖ Sutrūkinėjęs paviršius
- Ⓗ Netolygus paviršius
- Ⓘ Prastų darbų pavyzdžiai

- Vamzdelio atraminį paviršių patepkite plonu aušinimo alyvos sluoksniu. (Fig. 5-8)
- Norėdami prijungti pirmiausia sulyguokite centrinę dalį, o po to prisukite pirmuosius 3 ar 4 valcavimo veržlės sūkius.
- Vidinio įrenginio šoninio sujungimo dalį pritvirtinkite pagal toliau pateiktą veržimo sukimo momento lentelę ir priveržkite naudodami du raktus. Per stipriai priveržus sugadinama valcuota dalis.

Varinio vamzdelio išorinis skersmuo (mm)	Valcuotos veržlės išorinis skersmuo (mm)	Veržimo sukimo momentas (N·m)
ø6,35	17	Nuo 14 iki 18
ø9,52	22	Nuo 34 iki 42
ø12,7	26	Nuo 49 iki 61
ø15,88	29	Nuo 68 iki 82

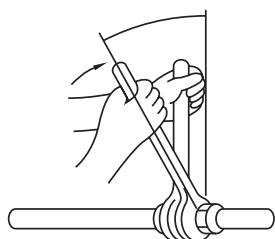


Fig. 5-8

### ⚠️ ĮSPĖJIMAS.

Montuodami įrenginį šaltnešio vamzdelius saugiai prijunkite prieš įjungdami kompresorių.

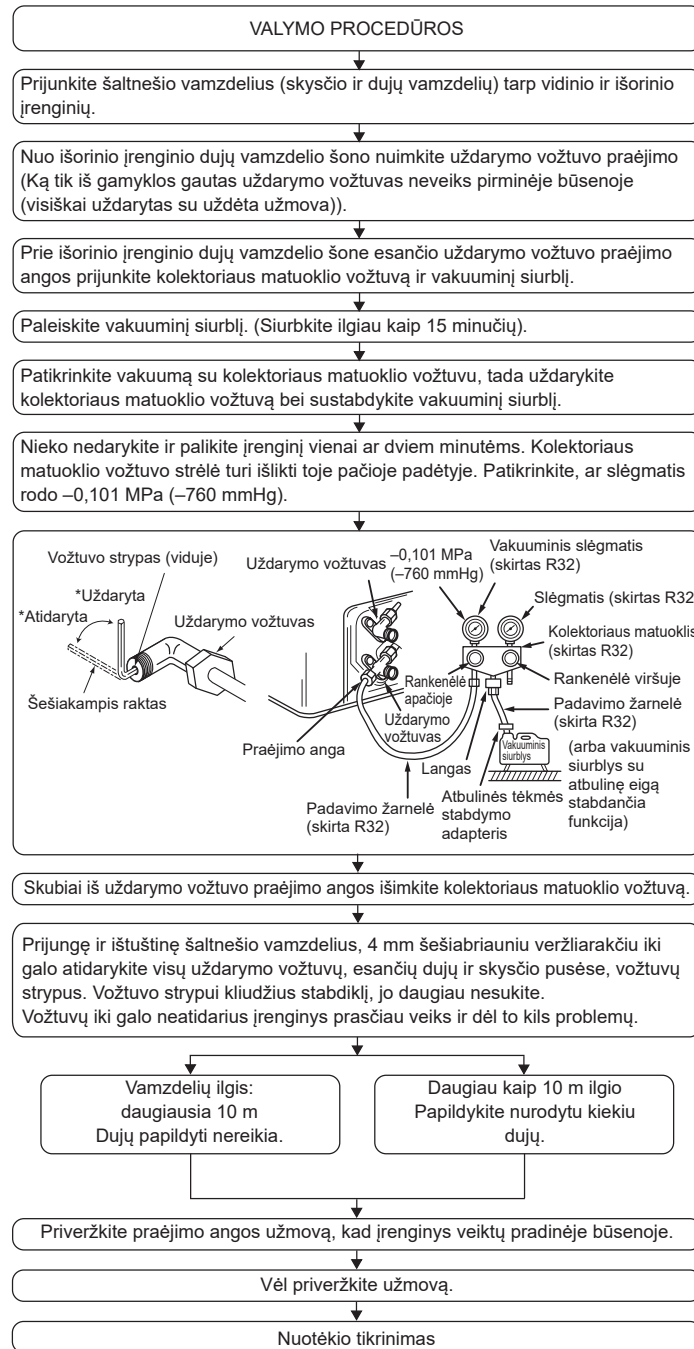
### ⚠️ ĮSPĖJIMAS.

Saugokitės skrendančios valcuotos veržlės! (Suslėgta iš vidaus)  
Valcuotą veržlę išsukite tokiu būdu:

1. Laisvinkite veržlę, kol išgirsite šnypštimo garsą.
2. Neišsukite veržlės, kol visiškai neišleistos dujos (t. y. šnypštimo garsas vis dar girdimas).
3. Patikrinkite, ar dujos buvo visiškai išleistos, tada išsukite veržlę.

## 5. Šaltnešio vamzdelių jungimo darbai

### 5.3. Valymo procedūros ir nuotėkio tikrinimas

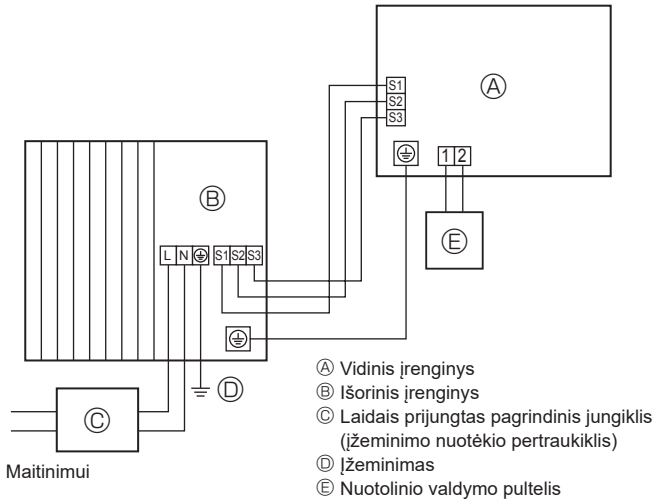


## 6. Elektros darbai

### 6.1. Išorinis įrenginys (Fig. 6-1, Fig. 6-2, Fig. 6-3)

- ① Nuimkite techninės priežiūros skydelį.
- ② Prijunkite laidus pagal Fig. 6-1, Fig. 6-2 ir Fig. 6-3.

#### ■ SUZ-SHWM60VAH, SUZ-SWM80VA(H)2, SUZ-SWM100VA(H)



#### ■ SUZ-SHWM30/40VAH, SUZ-SWM30VA, SUZ-SWM40/60VA2

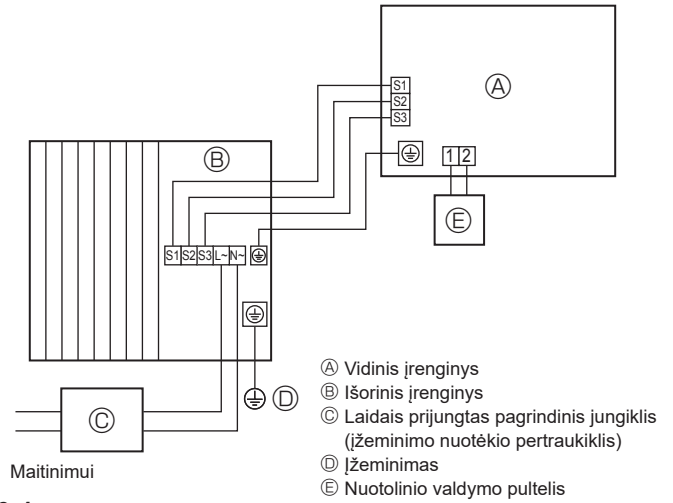


Fig. 6-1

#### Vidinio įrenginio gnybtų plokštelė

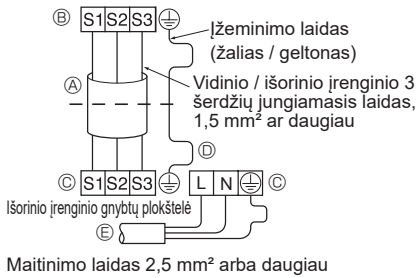
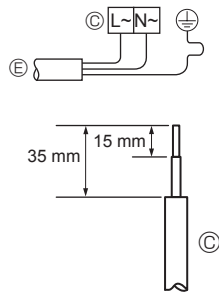


Fig. 6-2

#### ■ Skirta SUZ-SHWM30/40VAH, SUZ-SWM30VA/40VA2/60VA2



- Laidus prijunkite kaip parodyta schemoje (apatiniame kairiajame kampe). (Laidą įsigykite vietoje) (Fig. 6-2)

Būtinai naudokite tik tinkamo poliškumo laidus.

- A) Prijungimo laidas
- B) Vidinio įrenginio gnybtų plokštelė
- C) Išorinio įrenginio gnybtų plokštelė
- D) Visada prijunkite už kitus laidus ilgesnį įžeminimo laidą.
- E) Maitinimo laidas
- F) Išvado laidas

- Įžeminimo laidą padarykite truputį ilgesnį už kitus laidus. (Daugiau nei 100 mm)
- Atsižvelgdami į tai, kad ateityje bus atliekami techninės priežiūros darbai, jungiamuosius laidus palikite ilgesnius, nei reikia.
- Prie gnybtų plokštelės jungdami laidus, būtinai kiekvieną varžtą įsukite į atitinkamą gnybtą.

#### ■ SUZ-SWM30VA, SUZ-SWM40VA2, SUZ-SWM60VA2, SUZ-SHWM30VAH, SUZ-SHWM40VAH

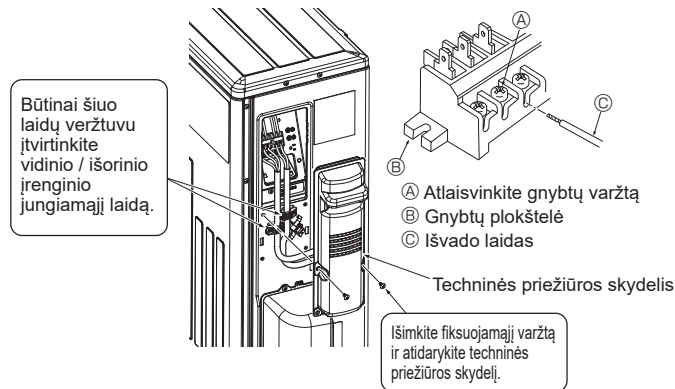


Fig. 6-3

- Tinkamai prijunkite vidinio įrenginio laidą prie gnybtų plokštelės.
- Naudokite tą pačią gnybtų plokštelę ir laikykitės to paties poliškumo kaip jungdami vidinį įrenginį.
- Vėlesniems priežiūros darbams palikite papildomai jungiamojo laido.

- Abu jungiamojo laido (ilginamojo laido) galai yra nulupami. Kai maitinimo laidas yra per ilgas arba prijungtas nupjovus per vidurį, nulupkite laidą iki paveikslėlyje nurodyto dydžio.
- Būkite atsargūs, kad vamzdeliu nepriliestumėte jungiamojo laido.

### ⚠️ ATSARGIAI.

- Būkite atsargūs, kad nesujungtumėte neteisingai.
- Stipriai priveržkite gnybtų varžtus, kad negalėtų atsilaisvinti.
- Priveržę švelniai truktėkite už laidų, kad įsitikintumėte, jog jie nejudą.

### ⚠️ ĮSPĖJIMAS.

- Būtinai patikimai pritvirtinkite išorinio įrenginio techninės priežiūros skydelį. Jį pritvirtinus netinkamai, gali kilti gaisras arba galima patirti elektros šoką dėl dulkių, vandens ir pan.
- Gerai užveržkite gnybtų varžtus.
- Laidus prijunkite taip, kad maitinimo linijos nebūtų įtemptos. Antraip jos gali imti kaisti arba gali kilti gaisras.

## 6. Elektros darbai

### 6.2. Elektros laidų jungimas vietoje

Išorinio įrenginio modelis	SUZ-SHWM30VAH/40VAH SUZ-SWM30VA/40VA2/60VA2	SUZ-SHWM60VAH SUZ-SWM80VA(H)2/SWM100VA(H)
Išorinio įrenginio maitinimas	~N (vienas), 50 Hz, 230 V	~N (vienas), 50 Hz, 230 V
Išorinio įrenginio įvedama galia, pagrindinis jungiklis (pertraukiklis)	*1 16 A	20 A
Jungiamo laido Nr. × dydis (mm <sup>2</sup> )	Išorinio įrenginio maitinimas	2 × min. 2,5
	Išorinio įrenginio maitinimo įžeminimas	1 × min. 2,5
	Vidinis įrenginys-išorinis įrenginys	3 × 1,5 (polinis)
	Vidinio įrenginio-išorinio įrenginio įžeminimas	1 × min. 1,5
Grandinės parametrai	Išorinio įrenginio L-N	*2 230 V KS
	Vidinis įrenginys-išorinis įrenginys S1-S2	*2 230 V KS
	Vidinis įrenginys-išorinis įrenginys S2-S3	*2 12 V NS – 24 V NS

\*1. Reikia naudoti pertraukiklį, kiekviename poliuje atskiriant kontaktus bent 3 mm. Naudokite įžeminimo pertraukiklį (NV).

Įsitinkite, kad srovės nuotėkio pertraukiklis tinkamas naudoti esant didesnei harmonikai.

Visada naudokite srovės nuotėkio pertraukiklį, kuris suderinamas su didesne harmonika, kadangi šiame įrenginyje sumontuotas inverteris.

Naudojant netinkamą pertraukiklį, inverteris gali veikti netinkamai.

\*2. Paveikslėliai NE VISADA pateikti žemės paviršiaus atžvilgiu.

S3 gnybtas pasižymi 24 V NS, palyginti su S2 gnybtu. Tačiau tarp S3 ir S1, šie gnybtai NETURI elektros izoliacijos, atliktos naudojant transformatorių ar kitą įrenginį.

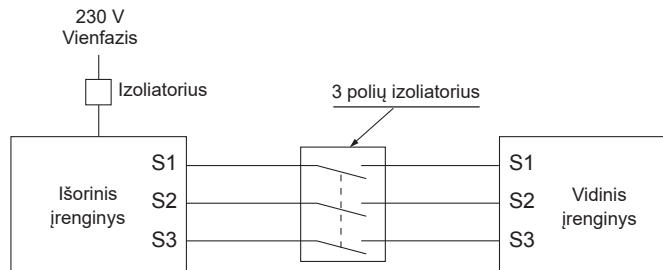
**Pastabos.** 1. Laidų dydis turi atitikti taikomas vietines ir nacionalines nuostatas.

2. Maitinimo laidai ir vidinio įrenginio / išorinio įrenginio jungiamieji laidai neturi būti lengvesni už polichloropreno lankstų laidą su apvalkalu. (Dizainas 60245 IEC 57)

3. Prijunkite už kitus laidus ilgesnį įžeminimo laidą.

4. Prijungdami maitinimo laidus, naudokite savaime užgęstančius skirstomuosius laidus.

5. Tinkamai nuveskite laidus, kad jie neliestų lakštinio metalo krašto ar sraigto galiuko.



### ⚠️ ĮSPĖJIMAS.

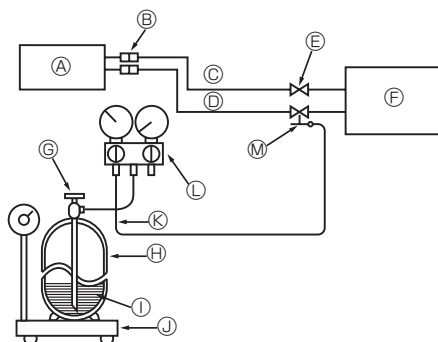
Dėl elektros schemos dizaino S3 gnybte teka aukšta įtampa, o tarp maitinimo linijos ir ryšio signalo linijos elektros izoliacijos nėra. Todėl atlikdami techninę priežiūrą, išjunkite pagrindinį maitinimą. Kai elektros energija neišjungta, nelieskite S1, S2, S3 gnybtų. Jei izoliatorius bus naudojamas tarp vidinio ir išorinio įrenginių, jį naudokite 3 polių tipo.

Niekada nesudurkite maitinimo laido arba vidinio-išorinio jungiamojo laido, antraip gali susidaryti dūmų, kilti gaisras arba įvykti ryšio gedimas.

Būtinai prijunkite vidinius-išorinius jungiamuosius laidus tiesiai prie įrenginių (jokių tarpinių jungčių).

Naudojant tarpines jungtis, jei vanduo pateks į kabelius ir dėl to nebus tinkamai izoliuojama arba susidarys prastas elektros kontaktas ties tarpine jungiamąja vieta, gali kilti ryšio klaida.

## 7. Priežiūra



- Ⓐ Vidinis įrenginys
- Ⓑ Jungtis
- Ⓒ Skysčių vamzdelis
- Ⓓ Dujų vamzdelis
- Ⓔ Uždarymo vožtuvas
- Ⓕ Išorinis įrenginys
- Ⓖ Šaltnešio dujų cilindro darbinis vožtuvas
- Ⓗ Šaltnešio dujų cilindras, skirtas R32 su sifonu
- Ⓘ Šaltnešis (skystas)
- Ⓝ Šaltnešio pildymo elektroninės svarstyklės
- Ⓚ Padavimo žarnelė (skirta R32)
- Ⓛ Kolektorius matuoklio vožtuvas (skirtas R32)
- Ⓜ Praėjimo anga

Fig. 7-1

### 7.1. Dujų pildymas (Fig. 7-1)

1. Prijunkite dujų cilindrą prie uždarymo vožtuvo (trikrypčio) praėjimo angos.
2. Oru pravalykite vamzdelį (arba žarnelę), išeinantį iš šaltnešio dujų cilindro.
3. Papildykite nurodytą šaltnešio kiekį, kai oro ir vandens šildymo siurblys veikia vėsinimo režimu.

**Pastaba.**

Pildydami šaltnešį, įpilkite šaldymo ciklui nurodytą kiekį.

### ⚠️ ATSARGIAI.

- Šaltnešio neišleiskite į atmosferą. Pasirūpinkite, kad šaltnešio sistemos montavimo, pakartotinio montavimo ar remonto darbų metu į atmosferą neišsiskirtų šaltnešio.
- Kai reikia papildyti, šaltnešį pildykite esant skystai dujų cilindro būsenai. Jei pildysite dujinės būsenos šaltnešį, gali pasikeisti cilindre ir išoriniame įrenginyje esančio šaltnešio sudėtis. Tokiu atveju suprastėja šaldymo ciklas, taip pat įrenginiui gali nepavykti veikti įprastai. Tačiau, supylus skystą šaltnešį visą iš karto, kompresorius gali užsiblokuoti. Todėl šaltnešį pildykite iš lėto.

Norėdami palaikyti aukštą dujų cilindro slėgį, šaltuoju sezonu pašildykite dujų cilindrą šiltu vandeniu (iki 40 °C). Tačiau niekada nenaudokite atviros liepsnos arba garų.

## 8. Vandens vamzdelių jungimo darbai

### 8.1. Minimalus vandens kiekis

Žr. vidinio įrenginio montavimo vadovą.

### 8.2. Galimas intervalas (vandens tėkmės greitis, grįžtamojo vandens temp.)

Pasirūpinkite toliau nurodyta vandens srauto norma ir grįžtamosios temperatūros intervalu vandens sistemoje.

Šios kreivės yra susijusios su vandens kiekiu.

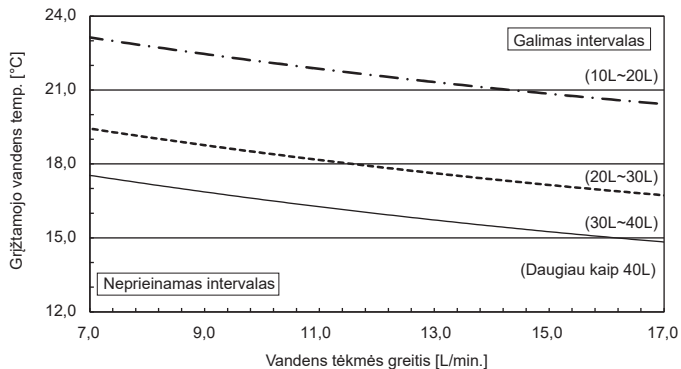
#### ■ Šildymas

SUZ-SWM30VA SUZ-SHWM30VAH

SUZ-SWM40VA2 SUZ-SHWM40VAH

SUZ-SWM60VA2

Minimali grįžtamojo vandens temperatūra dėl vandens kiekio sistemoje

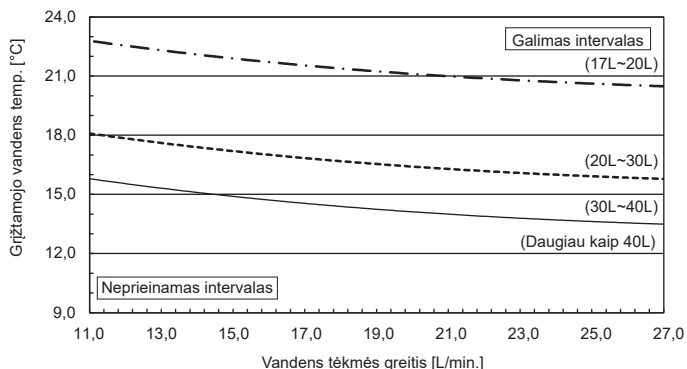


SUZ-SWM80VA(H)2

SUZ-SWM100VA(H)

SUZ-SHWM60VAH

Minimali grįžtamojo vandens temperatūra dėl vandens kiekio sistemoje



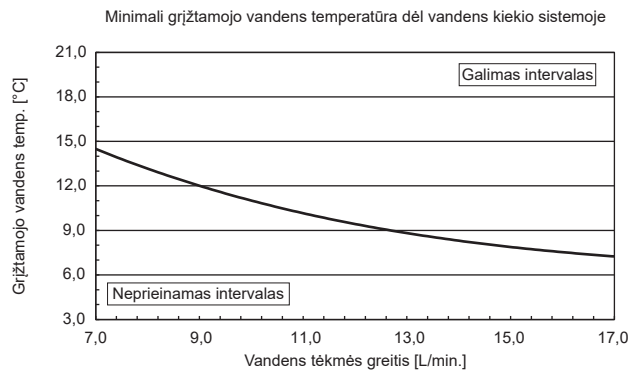
#### Pastaba.

- Būtinai venkite neprieinamo intervalo atitirpinimo metu.  
Kitaip išorinis įrenginys bus nepakankamai atitirpintas ir (arba) vidinio įrenginio šilumokaitis gali užšalti.
- Srauto temperatūra NIEKADA negali būti MAŽESNĖ negu 32°C, kai lauke temperatūra nukrenta iki žemesnės nei -15°C.  
Dėl nepakankamos apsaugos nuo užšalimo kyla pavojus, kad šilumokaičio plokštė užšals, bus pažeista, o lauke esanti šilumokaitis taip pat užšals.

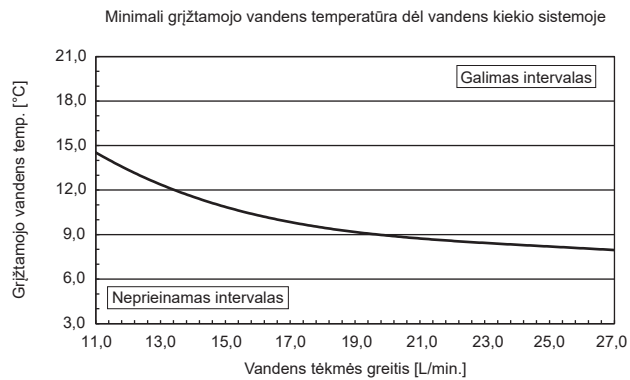
## 8. Vandens vamzdelių jungimo darbai

### ■ Vėsinimas

SUZ-SWM30VA SUZ-SHWM30VAH  
SUZ-SWM40VA2 SUZ-SHWM40VAH  
SUZ-SWM60VA2



SUZ-SWM80VA(H)2  
SUZ-SWM100VA(H)  
SUZ-SHWM60VAH



### Pastaba.

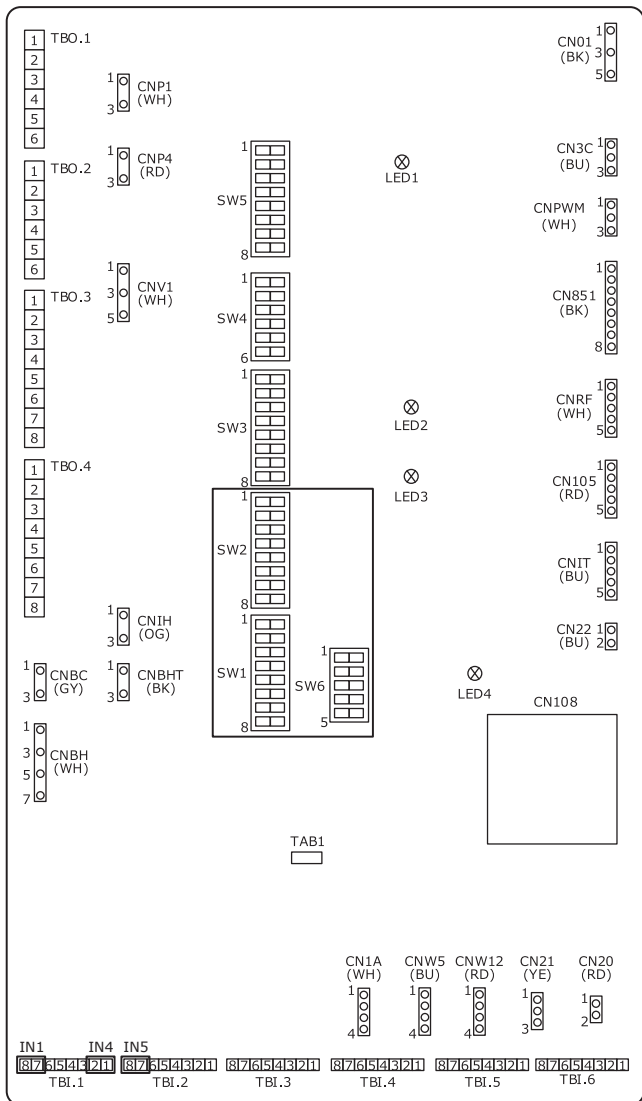
Būtinai venkite neprieinamo intervalo atitirpinimo metu.

Kitais atvejais šiluminis įrenginys bus nepakankamai atitirpintas ir (arba) vidinio įrenginio šilumokaitis gali užšalti.

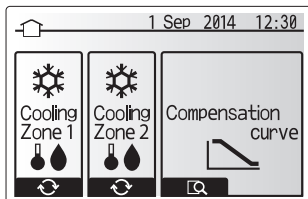
## 9. Išpumpavimas

Jei išorinį įrenginį norite perkelti į kitą vietą arba išmesti, išuštinkite sistemą laikydamiesi toliau pateiktos procedūros, kad į atmosferą nepatektų šaltnešio.

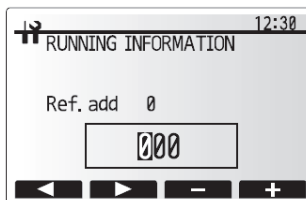
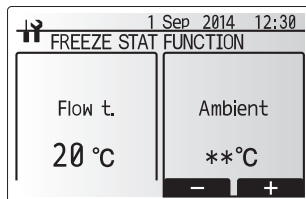
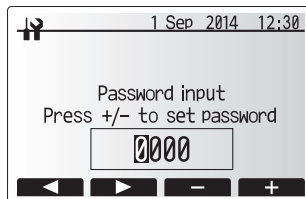
- ① Išjunkite visą maitinimo grandinę (įskaitant vidinį įrenginį, šildytuvą, išorinį įrenginį ir pan.).
- ② Prie išorinio įrenginio dujų vamzdelio šone esančio uždarymo vožtuvo praėjimo angos prijunkite kolektoriaus matuoklio vožtuvą.
- ③ Iki galo uždarykite išorinio įrenginio skysčių vamzdelio šone esantį uždarymo vožtuvą.
- ④ Pakeiskite vidinio įrenginio nustatymus.
  - Nustatykite DIP jungiklį SW1-3 į padėtį „OFF“ (Išjungta), SW2-1 į padėtį „OFF“ (Išjungta), SW2-4 į padėtį „ON“ (Ijungta) ir SW6-3 į padėtį „OFF“ (Išjungta) ant vidinės valdymo plokštės.
  - Atjunkite įėjimo signalus IN1 (patalpos termostato 1 įėjimas), IN4 (valdymo pagal paklausą įėjimas) ir IN5 (išorinio termostato įėjimas).



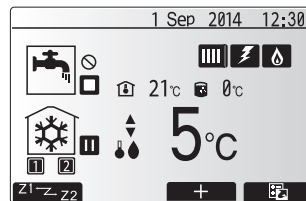
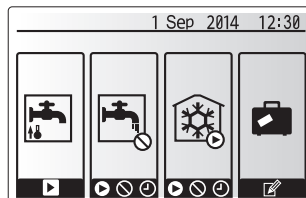
- ⑤ Įjunkite visą maitinimo grandinę.
- ⑥ Pagrindiniame vidinio įrenginio valdiklio meniu pasirinkite „Heating/cooling mode“ (Šildymo / vėsinimo režimas) → „Cooling flow temp.“ (Vėsinimo srauto temp.).



- ⑦ Pagrindiniame meniu pasirinkite „Service“ (Techninė priežiūra) ir pakeiskite nustatymą, kaip nurodyta toliau. Jūsų bus paprašyta įvesti slaptažodį. GAMYKLOJE NUSTATYTAS SLAPTAŽODIS yra „0000“.
  - Pasirinkite „Operation settings“ (Veikimo nustatymai) → „Freeze stat function“ (Temperatūros jutiklio funkcija), tada nustatykite minimalią lauko aplinkos temperatūrą i\*(žvaigždutė).
  - Pasirinkite „Running information“ (Veikimo informacija), tada nustatykite „Reference address“ (Nuorodos adresą) į 351.



- ⑧ Atlikite šaltnešio surinkimo operaciją.
  - Paspauskite pagrindinio valdiklio mygtuką „ON/OFF“ (Ijungimas / Išjungimas).
  - Parinkties meniu nustatykite „Cooling ON“ (Vėsinimas įjungtas).
  - Nustatykite tikslinio srauto temperatūrą į 5 °C. Jei sistema valdoma patalpos temperatūros termostatu, nustatykite tikslinę patalpos temperatūrą į 10 °C.
  - Šaltnešio surinkimo operacija pradeda po 60 sek.
  - Informacijos apie pagrindinio valdiklio nustatymus ieškokite vidinio įrenginio montavimo arba naudojimo vadovuose.



Tęsinys kitame puslapyje.

## 9. Išpumpavimas

- ⑨ Kai slėgmatis rodytų 0,05–0 MPa [Matuoklis] (maždaug 0,5–0 kgf/cm<sup>2</sup>), iki galo uždarykite išorinio įrenginio dujų vamzdelio šone esantį uždarymo vožtuvą ir greitai sustabdykite išorinį įrenginį.
- Paspauskite išorinio įrenginio mygtuką „ON/OFF“ (Įjungimo / Išjungimo) ir išjunkite išorinį įrenginį.
  - \* Atkreipkite dėmesį, kad kai ilginamasis vamzdis labai ilgas ir jame didelis kiekis šaltnešio, gali nepavykti išsiurbti. Šiuo atveju visam šaltnešiui iš sistemos surinkti naudokite šaltnešio surinkimo įrangą.
- ⑩ Gražinkite pagrindinio valdiklio nustatymą, pakeistą aukščiau nurodytos ⑨ procedūros metu.
- ⑪ Spauskite vidinio įrenginio pagrindinio valdiklio mygtuką „ON/OFF“ (Įjungimo / Išjungimo) maždaug 3 sekundes, kad sustabdytumėte įrenginį.
- ⑫ Gražinkite pagrindinio valdiklio nustatymus, pakeistus kitos procedūros metu nei ⑩.
- \* Kaip gražinti ankstesnį „Running information“ (Veikimo informacija) nustatymą: nustatykite „Reference address“ (Nuorodos adresą) į 350.
- ⑬ Išjunkite visą maitinimo grandinę ir gražinkite ankstesnius vidinės grandinės plokštės DIP jungiklio nustatymus.
- ⑭ Nuimkite kolektoriaus matuoklio vožtuvą ir atjunkite šaltnešio vamzdelius.



### ĮSPĖJIMAS.

Kai šaltnešio grandinėje yra protėkis, **NEVAKUUMUOKITE** naudodami kompresorių.

Jei vakuumuojate šaltnešį, kompresorių sustabdykite prieš atjungdami šaltnešio vamzdelius.

- Jei šaltnešio vamzdeliai atjungiami veikiant kompresoriui ir esant atidarytam uždarymo vožtuvui (rutulinis vožtuvas), įtraukus oro, šaltnešio ciklo slėgis gali itin padidėti, todėl vamzdeliai gali sprogti, galima patirti sužalojimų ir pan.



### ATSARGIAI.

**NENAUDOKITE** šio VĖSINIMO režimo, kai jungiate prie vidinio įrenginio, kuris neleidžia naudoti VĖSINIMO režimo jokiais kitais atvejais nei vakuumuojant.

## 10. Specifikacijos

Išorinis modelis		SUZ-SWM30VA	SUZ-SHWM30VAH	SUZ-SWM40VA2	SUZ-SHWM40VAH	SUZ-SWM60VA2
Maitinimo šaltinis	V / fazė / Hz	230 / viena / 50				
Matmenys (plotis × aukštis × gylis)	mm	800 × 714 × 285				
Garso galios lygis (šildymas)	*1 dB(A)	57	57	57	58	60
	*2 dB(A)	54	54	54	55	56

Išorinis modelis		SUZ-SHWM60VAH	SUZ-SWM80VA(H)2	SUZ-SWM100VA(H)
Maitinimo šaltinis	V / fazė / Hz	230 / viena / 50		
Matmenys (plotis × aukštis × gylis)	mm	840 × 880 × 330		
Garso galios lygis (šildymas)	*1 dB(A)	60	60	62
	*2 dB(A)	58	59	60

\*1. Išmatuota esant vardiniam veikimo dažniui, kai aplinkos temperatūra yra 7 °C DB / 6 °C WB, o išvesties vandens temperatūra yra 55 °C

\*2. Išmatuota pagal EN12102, laikantis EN14825 sąlygų



EU DECLARATION OF CONFORMITY  
EU-KONFORMITÄTSEKTLÄRUNG  
DÉCLARATION DE CONFORMITÉ UE  
EU-CONFORMITEITSVERKLARING  
DECLARACIÓN DE CONFORMIDAD UE  
DICHIARAZIONE DI CONFORMITÀ UE  
ΔΗΛΩΣΗ ΣΥΜΜΟΡΦΩΣΗΣ ΕΕ  
DECLARAÇÃO DE CONFORMIDADE UE  
EU-OVERENSSTEMMELSESEKTLÆRING

EG-DEKLARATION OM ÖVERENSSTÄMMELSE  
AV UYGUNLUK BEYAN  
ДЕКЛАРАЦИЯ СООТВЕТСТВИЯ НОРМАМ ЕС  
ДЕКЛАРАЦІЯ ВІДПОВІДНОСТІ ВИМОГАМ ЄС  
ЕС ДЕКЛАРАЦІЯ ЗА СЪОТВЕТСТВИЕ  
DEKLARACJA ZGODNOŚCI UE  
EU-ERKLÆRING OM SAMSVAR  
EU-VAATIMUSTENMUKAISUUSVAKUUTUS  
EU PROHLÁŠENÍ O SHODĚ

EÚ VYHLÁSENIE O ZHODE  
EU MEGFELELŐSÉGI NYILATKOZAT  
IZJAVA EU O SKLADNOSTI  
DECLARAȚIE DE CONFORMITATE UE  
EL-I VASTAVUSDEKLARATSIOON  
ES ATBILSTĪBAS DEKLARĀCIJA  
ES ATITIKTIES DEKLARĀCIJA  
EU IZJAVA O SUKLADNOSTI  
EU IZJAVA O USAGLAŠENOSTI

**MITSUBISHI ELECTRIC CONSUMER PRODUCTS (THAILAND) CO., LTD**  
**700/406 MOO 7, TAMBON DON HUA ROH, AMPHUR MUANG, CHONBURI 20000, THAILAND**

hereby declares under its sole responsibility that the air conditioner(s) and heat pump(s) for use in residential, commercial, and light-industrial environments described below:  
erklärt hiermit auf seine alleinige Verantwortung, dass die Klimaanlage(n) und Wärmepumpe(n) für das häusliche, kommerzielle und leichtindustrielle Umfeld wie unten beschrieben:  
déclare par la présente et sous sa propre responsabilité que le(s) climatiseur(s) et la/les pompe(s) à chaleur destinés à un usage dans des environnements résidentiels, commerciaux et d'industrie légère décrits ci-dessous :  
verklaart hierbij onder eigen verantwoordelijkheid dat de voor huishoudelijke, handels- en lichtindustriële omgevingen bestemde airconditioner(s) en warmtepomp(en) zoals onderstaand beschreven:

por la presente declara, bajo su exclusiva responsabilidad, que el(los) acondicionador(es) de aire y la(s) bomba(s) de calor previsto(s) para su uso en entornos residenciales, comerciales y de industria ligera que se describen a continuación:

conferma con la presente, sotto la sua esclusiva responsabilità, che i condizionatori d'aria e le pompe di calore destinati all'utilizzo in ambienti residenziali, commerciali e semi-industriali e descritti di seguito:

με το παρόν δηλώνει με αποκλειστική ευθύνη ότι το ή τα κλιματιστικά και η ή οι αντλίες θερμότητας για χρήση σε οικιακά, εμπορικά και επαγγελματικά περιβάλλοντα που περιγράφονται παρακάτω:

declara pela presente, e sob sua exclusiva responsabilidade, que o(s) aparelho(s) de ar condicionado e a(s) bomba(s) de calor destinados a utilização em ambientes residenciais, comerciais e de indústria ligeira descritos em seguida:

erklærer hermed under eneansvar, at det/de herunder beskrevne airconditionanlæg og varmepumpe(r) til brug i beboelses- og erhvervs miljøer samt i miljøer med let industri:

intyggar härmed att luftkonditioneringarna och värmepumparna som beskrivs nedan för användning i bostäder, kommersiella miljöer och lätta industriella miljöer:

ev, ticaret ve hafif sanayi ortamlarında kullanıma yönelik aşağıda açıklanan klima ve ısıtma pompalarıyla ilgili aşağıdaki hususları yalnızca kendi sorumluluğunda olmak üzere beyan eder:

настоящим заявляет под свою исключительную ответственность, что кондиционер (-ы) и тепловой (-ые) насос (-ы) для использования в описанных ниже жилых, коммерческих и небольших складских и промышленных помещениях:

цим заявляю, беручи на себе повну відповідальність за це, що кондиціонер (-и) й тепловий (-и) насос (-и), описані нижче й призначені для використання в житлових приміщеннях, торговельних залах і на підприємствах легкої промисловості:

декларира с настоящата на своя собствена отговорност, че климатикъ(т)е и термомпата(ите), посочени по-долу и предназначени за употреба в жилищни, търговски и лекопромишлени среди:

niniejszym oświadczam na swoją wyłączną odpowiedzialność, że klimatyzatory i pompy ciepła do zastosowań w środowisku mieszkalnym, handlowym i lekko przemysłowym opisane poniżej:

erklærer et fullstendig ansvar for undernevnte klimaapparat og varmepumper ved bruk i boliger, samt kommersielle og lettindustrielle miljøer:

vakuuttaa täten yksinomaista vastuutaan, että jäljempänä kuvutat asuinrakennuksiin, pienteeollisuuskäyttöön ja kaupalliseen käyttöön tarkoitettuihin ilmastointilaitteisiin ja lämpöpumpuihin:

tímto na vlastní odpovědnost prohlašuje, že níže popsané klimatizační jednotky a tepelná čerpadla pro použití v obytných prostředích, komerčních prostředích a prostředích lehkého průmyslu:

týmto na svoju výlučnú zodpovednosť vyhlasuje, že nasledovné klimatizačné jednotky a tepelné čerpadlá určené na používanie v obytných a obchodných priestoroch a v prostredí ľahkého priemyslu:

alulírott kizárólagos felelősségére nyilatkozik, hogy az alábbi lakossági, kereskedelmi és kisipari környezetben való használatra szánt klímaberendezés(ek) és hőszivattyú(k):

na lastno odgovornost izjavlja, da so spodaj opisane klimatske naprave in toplotne črpalke, namenjene za uporabo v stanovanjskih, poslovnih in lahkoindustrijskih okoljih:

declară prin prezenta, pe proprie răspundere, faptul că aparatele de climatizare și pompele de căldură descrise mai jos și destinate utilizării în medii rezidențiale, comerciale și din industria ușoară:

kinnitab oma ainuvastutusest, et allpool toodud elu-, äri- ja kergtööstuskeskkondades kasutamiseks mõeldud kliimaseadmed ja soojuspumbad:

ar šo, vienpersoniski uzņemoties atbildību, paziņo, ka tālāk aprakstītais(-tie) gaisa kondicionētājs(-i) un siltumsūkņis(-i) ir paredzēti lietošanai dzīvojamajās, komercdarbības un vieglās rūpniecības telpās, kas aprakstītas tālāk:

šiuo vien tik savo atsakomybe pareiškia, kad toliau apibūdintas (-i) oro kondicionierius (-iai) ir šilumos siurblys (-iai), skirtas (-i) naudoti toliau apibūdintose gyvenamosiose, komercinėse ir lengvosios pramonės aplinkose:

ovime izjavljuje pod isključivom odgovornošću da je/su klimatizacijski uređaji(i) i toplinska dizalica(e) opisan(i) u nastavku namijenjen(i) za upotrebu u stambenim i poslovnim okruženjima te okruženjima lake industrije:

ovim izjavljuje na svoju isključivu odgovornost da su klima-uređaji i toplotne pumpe za upotrebu u stambenim, komercijalnim okruženjima i okruženjima lake industrije opisani u nastavku:

**MITSUBISHI ELECTRIC, SUZ-SWM30VA\*, SUZ-SWM40VA\*, SUZ-SWM60VA\*, SUZ-SWM80VA\*, SUZ-SWM100VA\***  
**SUZ-SHWM30VAH\*, SUZ-SHWM40VAH\*, SUZ-SHWM60VAH\*, SUZ-SWM80VAH\*, SUZ-SWM100VAH\***  
**\* : , , 1, 2, 3, , , , 9**

is/are in conformity with provisions of the following Union harmonisation legislation.  
die Bestimmungen der folgenden Harmonisierungsrechtsvorschriften der Union erfüllen/

erfüllen.  
est/sont conforme(s) aux dispositions de la législation d'harmonisation de l'Union

suivante.  
voldoet/voldoen aan bepalingen van de volgende harmonisatiewetgeving van de Unie.

cumple(n) con las disposiciones de la siguiente legislación de armonización de la Unión.

sono in conformità con le disposizioni della seguente normativa dell'Unione sull'armonizzazione.

συμμορφώνονται με τις διατάξεις της ακόλουθης νομοθεσίας εναρμόνισης της Ένωσης.

está/estão em conformidade com as disposições da seguinte legislação de harmonização da União.

er i overensstemmelse med bestemmelse i følgende harmoniserede EU-lovgivning.

uppfyller villkoren i följande harmoniserade föreskrifter inom unionen.

აşağıdaki Avrupa Birliği uyumlaştırma mevzuatının hükümlerine uygundur.

соответствуют положениям следующих законодательных актов Союза о гармонизации.

2014/35/EU: Low Voltage Directive  
2006/42/EC: Machinery Directive  
2014/30/EU: Electromagnetic Compatibility Directive  
2011/65/EU, (EU) 2015/863 and (EU) 2017/2102: RoHS Directive  
2009/125/EC: Energy-related Products Directive and Regulation (EU) No 813/2013

відповідають положенням вказаного далі законодавства Союзу щодо гармонізації.  
е/са в соответствии с разпредбите на следното законодателство на Съюза за

хармонизация.  
są zgodne z przepisami następującego unijnego prawodawstwa harmonizacyjnego.

er i samsvar med forskriftene til følgende EU-lovgivning om harmonisering.

ovat seuraavan unionin yhdenmukaistamislainsäädännön säännösten mukaisia.

jsou v souladu s ustanoveními následujících harmonizačních právních předpisů Unie.

spĺňajú ustanovenia nasledujúcich harmonizovaných noriem EÚ.

megfelel(nek) az Unió alábbi harmonizációs jogszabályi előírásainak.

in skladu z določbami naslednje usklajevalne zakonodaje Unije.

sunt în conformitate cu dispozițiile următoare legislații de armonizare a Uniunii.

vastavad järgmiste Euroopa Liidu ühtlustatud õigusaktide sätetele.

atbilst šādiem ES harmonizētājiem tiesību aktu noteikumiem.

taip pat atitinka kitų toliau išvardytų suderintųjų Sąjungos direktyvų nuostatas.

sukladan(i) odredbama sljedećeg zakonodavstva Unije za sukladnost.

u skladu sa odredbama sledećeg usklađivanja zakonodavstva Unije.

## <ENGLISH>

English is original. The other languages versions are translation of the original.

### ▲ CAUTION

- Refrigerant leakage may cause suffocation. Provide ventilation in accordance with EN378-1.
- Be sure to wrap insulation around the piping. Direct contact with the bare piping may result in burns or frostbite.
- Never put batteries in your mouth for any reason to avoid accidental ingestion.
- Battery ingestion may cause choking and/or poisoning.
- Install the unit on a rigid structure to prevent excessive operation sound or vibration.
- The A-weighted sound pressure level is below 70dB.
- This appliance is intended to be used by expert or trained users in shops, in light industry and on farms, or for commercial use by lay persons.

## <DEUTSCH>

Das Original ist in Englisch. Die anderen Sprachversionen sind vom Original übersetzt.

### ▲ VORSICHT

- Wenn Kältemittel austritt, kann dies zu Ersticken führen. Sorgen Sie in Übereinstimmung mit EN378-1 für Durchlüftung.
- Die Leitungen müssen isoliert werden. Direkter Kontakt mit nicht isolierten Leitungen kann zu Verbrennungen oder Erfrierungen führen.
- Nehmen Sie niemals Batterien in den Mund, um ein versehentliches Verschlucken zu vermeiden.
- Durch das Verschlucken von Batterien kann es zu Erstickungen und/oder Vergiftungen kommen.
- Installieren Sie das Gerät auf einem stabilen Untergrund, um übermäßige Betriebsgeräusche oder -schwingungen zu vermeiden.
- Der A-gewichtete Schalldruckpegel ist niedriger als 70dB.
- Dieses Gerät ist vorgesehen für die Nutzung durch Fachleute oder geschultes Personal in Werkstätten, in der Leichtindustrie und in landwirtschaftlichen Betrieben oder für die kommerzielle Nutzung durch Laien.

## <FRANÇAIS>

L'anglais est l'original. Les versions fournies dans d'autres langues sont des traductions de l'original.

### ▲ PRECAUTION

- Une fuite de réfrigérant peut entraîner une asphyxie. Fournissez une ventilation adéquate en accord avec la norme EN378-1.
- Assurez-vous que la tuyauterie est enveloppée d'isolant. Un contact direct avec la tuyauterie nue peut entraîner des brûlures ou des engelures.
- Ne mettez jamais des piles dans la bouche pour quelque raison que ce soit pour éviter de les avaler par accident.
- Le fait d'ingérer des piles peut entraîner un étouffement et/ou un empoisonnement.
- Installez l'appareil sur une structure rigide pour prévenir un bruit de fonctionnement et une vibration excessifs.
- Le niveau de pression acoustique pondéré est en dessous de 70 dB.
- Cet appareil est conçu pour un utilisateur expert ou les utilisateurs formés en magasin, dans l'industrie légère et dans l'agriculture ou dans le commerce par le profane.

## <NEDERLANDS>

Het Engels is het origineel. De andere taalversies zijn vertalingen van het origineel.

### ▲ VOORZICHTIG

- Het lekken van koelvoelstof kan verstikking veroorzaken. Zorg voor ventilatie in overeenstemming met EN378-1.
- Isoleer de leidingen met isolatiemateriaal. Direct contact met de onbedekte leidingen kan leiden tot brandwonden of bevriezing.
- Stop nooit batterijen in uw mond om inslikking te voorkomen.
- Het inslikken van batterijen kan verstikking of vergiftiging veroorzaken.
- Installeer het apparaat op een stabiele structuur om overmatig lawaai of trillingen te voorkomen.
- Het niveau van de geluidsdruk ligt onder 70 dB(A).
- Dit apparaat is bedoeld voor gebruik door ervaren of opgeleide gebruikers in werkplaatsen, in de lichte industrie en op boerderijen, of voor commercieel gebruik door leken.

## <ESPAÑOL>

El idioma original del documento es el inglés. Las versiones en los demás idiomas son traducciones del original.

### ▲ CUIDADO

- Las pérdidas de refrigerante pueden causar asfixia. Se debe proporcionar la ventilación determinada en EN378-1.
- Asegúrese de colocar el aislante alrededor de las tuberías. El contacto directo con la tubería puede ocasionar quemaduras o congelación.
- Para evitar una ingestión accidental, no coloque las pilas en su boca bajo ningún concepto.
- La ingestión de las pilas puede causar asfixia y/o envenenamiento.
- Coloque la unidad en una estructura rígida para evitar que se produzcan sonidos o vibraciones excesivos debidos a su funcionamiento.
- El nivel de presión acústica ponderado A es inferior a 70 dB.
- Este aparato está destinado a su uso por parte de usuarios expertos o capacitados en talleres, industrias ligeras y granjas, o a su uso comercial por parte de personas no expertas.

## <ITALIANO>

Il testo originale è redatto in lingua Inglese. Le altre versioni linguistiche rappresentano traduzioni dell'originale.

### ▲ ATTENZIONE

- Le perdite di refrigerante possono causare asfissia. Prevedere una ventilazione adeguata in conformità con la norma EN378-1.
- Accertarsi di applicare materiale isolante intorno alle tubature. Il contatto diretto con le tubature non schermate può provocare ustioni o congelamento.
- Non introdurre in nessun caso le batterie in bocca onde evitare ingestioni accidentali.
- L'ingestione delle batterie può provocare soffocamento e/o avvelenamento.
- Installare l'unità su una struttura rigida in modo da evitare rumore o vibrazioni eccessivi durante il funzionamento.
- Il livello di pressione del suono ponderato A è inferiore a 70dB.
- Questa apparecchiatura è destinata all'utilizzo da parte di utenti esperti o addestrati in negozi, industria leggera o fattorie oppure a un uso commerciale da parte di persone non esperte.

## <ΕΛΛΗΝΙΚΑ>

Η γλώσσα του πρωτοτύπου είναι η αγγλική. Οι εκδόσεις άλλων γλωσσών είναι μεταφράσεις του πρωτοτύπου.

### ▲ ΠΡΟΣΟΧΗ

- Η διαρροή του ψυκτικού ενδέχεται να προκαλέσει ασφυξία. Φροντίστε για τον εξαερισμό σύμφωνα με το πρότυπο EN378-1.
- Φροντίστε να τυλίξετε με μονωτικό υλικό τη σωλήνωση. Η απευθείας επαφή με τη γυμνή σωλήνωση ενδέχεται να προκαλέσει εγκαύματα ή κρυοπαγήματα.
- Μη βάζετε ποτέ τις μπαταρίες στο στόμα σας για κανένα λόγο ώστε να αποφύγετε την κατά λάθος κατάποσή τους.
- Η κατάποση μπαταριών μπορεί να προκαλέσει πνιγμό ή/και δηλητηρίαση.
- Εγκαταστήστε τη μονάδα σε σταθερή κατασκευή ώστε να αποφύγετε τον έντονο ήχο λειτουργίας ή τους κραδασμούς.
- Η Α-σταθμισμένη στάθμη ηχητικής πίεσης είναι κάτω των 70dB.
- Η Α-σταθμισμένη στάθμη ηχητικής πίεσης είναι κάτω των 70dB.
- Η συσκευή αυτή προορίζεται για χρήση από εμπειρογούς ή εκπαιδευμένους χρήστες σε καταστήματα, στην ελαφριά βιομηχανία και σε αγροκτήματα, ή για εμπορική χρήση από άτομα τα οποία δεν είναι ειδήμονες.

## <PORTUGUÊS>

O idioma original é o inglês. As versões em outros idiomas são traduções do idioma original.

### ▲ CUIDADO

- A fuga de refrigerante pode causar asfixia. Garanta a ventilação em conformidade com a norma EN378-1.
- Certifique-se de que envolva as tubagens com material de isolamento. O contacto directo com tubagens não isoladas pode resultar em queimaduras ou ulcerações provocadas pelo frio.
- Nunca coloque pilhas na boca, por nenhum motivo, para evitar a ingestão accidental.
- A ingestão de uma pilha pode causar obstrução das vias respiratórias e/ou envenenamento.
- Instale a unidade numa estrutura robusta, de forma a evitar ruídos ou vibrações excessivos durante o funcionamento.
- O nível de pressão sonora ponderado A é inferior a 70 dB.
- Este equipamento destina-se a ser utilizado por especialistas ou utilizadores com formação em lojas, na indústria ligeira e em quintas, ou para utilização comercial por leigos.

## <DANSK>

Engels er originalen. De andre sprogversioner er oversættelser af originalen.

### ▲ FORSIGTIG

- Lækage af kølemiddel kan forårsage kvælning. Sørg for udluftning i overensstemmelse med EN378-1.
- Sørg for at pakke rørene ind i isolering. Direkte kontakt med ubeklædte rør kan forårsage forbrændinger eller forfrysninger.
- Batterier må under ingen omstændigheder tages i munden for at forhindre utilsigtet indtagelse.
- Indtagelse af batterier kan forårsage kvælning og/eller forgiftning.
- Installer enheden på en fast struktur for at forhindre for høje driftslyde eller vibrationer.
- Det A-vægtede lydtrykniveau er under 70dB.
- Dette apparat er beregnet til at blive brugt af eksperter eller udlærte brugere i butikker, inden for let industri og på gårde eller til kommerciel anvendelse af lægmænd.

## <SVENSKA>

Engelska är originalspråket. De övriga språkversionerna är översättningar av originalet.

### ▲ FÖRSIKTIGHET

- Köldmedelsläckage kan leda till kvävning. Tillhandahåll ventilation i enlighet med EN378-1.
- Kom ihåg att linda isolering runt rören. Direktkontakt med bara rör kan leda till brännskador eller köldskador.
- Stoppa aldrig batterier i munnen, de kan sväljas av misstag.
- Om ett batteri sväljs kan det leda till kvävning och/eller förgiftning.
- Montera enheten på ett stadigt underlag för att förhindra höga driftljud och vibrationer.
- Den A-vägdade ljudtrycksnivån är under 70dB.
- Denna apparat är ämnad för användning av experter eller utbildade användare i affärer, inom lätt industri och på lanbruk, eller för kommersiell användning av lekmän.

## <TÜRKÇE>

Aslı İngilizce'dir. Diğer dillerdeki sürümler aslının çevirisidir.

### ▲ DİKKAT

- Soğutucu kaçağı boğulmaya neden olabilir. EN378-1 uyarınca uygun havalandırma sağlayın.
- Borular etrafına yalıtım yapıldığından emin olun. Borulara doğrudan çıplak elle dokunulması yanıklara veya soğuk ısırıklarına neden olabilir.
- Kazara yutmamak için, pilleri kesinlikle hiçbir amaçla ağzınızda tutmayın.
- Pillerin yutulması boğulmaya ve/veya zehirlenmeye yol açabilir.
- Aşırı çalıma seslerini veya titreşimi önlemek için, üniteyi sağlam bir yapı üzerine monte edin.
- A ağırıklı ses gücü seviyesi 70dB'nin altındadır.
- Bu cihaz tıbbiyle, hafif endüstriyel tesislerde ve çiftliklerde uzman veya eğitimli kullanıcılar tarafından kullanılmak üzere veya normal kullanıcılar tarafından ticari kullanım için tasarlanmıştır.

## <РУССКИЙ>

Языком оригинала является английский. Версии на других языках являются переводом оригинала.

### ▲ ОСТОРОЖНО

- Утечка хладагента может стать причиной удушья. Обеспечьте вентиляцию в соответствии с EN378-1.
- Обязательно оберните трубы изоляционным материалом. Непосредственный контакт с неизолированным трубопроводом может привести к ожогам или обморожению.
- Запрещается класть элементы питания в рот по каким бы то ни было причинам во избежание случайного проглатывания.
- Попадание элемента питания в пищеварительную систему может стать причиной удушья и/или отравления.
- Устанавливайте устройство на жесткую структуру во избежание чрезмерного шума или чрезмерной вибрации во время работы.
- Уровень звукового давления по шкале A не превышает 70 дБ.
- Данное устройство предназначено для использования специалистами или обученным персоналом в магазинах, на предприятиях легкой промышленности и фермах или для коммерческого применения неспециалистами.

## <УКРАЇНСЬКА>

Переклад оригіналу. Текст іншими мовами є перекладом оригіналу.

### ▲ ОБЕРЕЖНО

- Виток холодагента може призвести до удушся. Необхідно забезпечити вентиляцію відповідно до стандарту EN 378-1.
- Труби необхідно обмотати ізоляційним матеріалом. Прямий контакт із непокритою трубою може призвести до опіку або обмороження.
- Забороняється класти елементи живлення в рот із будь-яких причин, оскільки є ризик випадково їх проковтнути.
- Попадання елемента живлення в травну систему може стати причиною задхуки та/або отруєння.
- Встановлюйте блок на міцній конструкції, щоб уникнути надмірного рівня звуку роботи або вібрації.
- Рівень амплітудно зваженого акустичного тиску становить нижче 70 дБ.
- Цей прилад призначається для використання спеціалістами або особами, що пройшли відповідне навчання, у крамницях, легкій промисловості та сільськогосподарських підприємствах, а також для комерційного використання неспеціалістами.

## <БЪЛГАРСКИ>

Оригиналът е текстът на английски език. Версиите на други езици са преводи на оригинала.

### ▲ ВНИМАНИЕ

- Изтичането на хладилен агент може да причини задушаване. Осигурете вентилация съобразно с EN378-1.
- Не забравяйте да уветите изолация около тръбите. Директният контакт с оголени тръби може да причини изгаряне или измръзване.
- При никакви обстоятелства не поставяйте батериите в устата си, за да не ги поглънете по невнимание.
- Това може да доведе до задушаване и/или натравяне.
- Монтирайте тялото върху твърда конструкция, за да предотвратите прекомерен шум или вибрации по време на работа.
- А-претегленото ниво на звуково налягане е под 70 dB.
- Този уред е предназначен за използване от експерти или обучени потребители в магазини, в леката промисленост и във ферми, или за търговска употреба от неспециалисти.



Please be sure to put the contact address/telephone number on this manual before handing it to the customer.

**mitsubishi** **ELECTRIC CORPORATION**

HEAD OFFICE: TOKYO BUILDING, 2-7-3, MARUNOUCHI, CHIYODA-KU, TOKYO 100-8310, JAPAN

# Air to Water Heat Pump SUZ-SWM·VA(H) series SUZ-SHWM·VAH series

INSTALLATION MANUAL	FOR INSTALLER	English
INSTALLATIONSHANDBUCH	FÜR INSTALLATEURE	Deutsch
MANUEL D'INSTALLATION	POUR L'INSTALLATEUR	Français
INSTALLATIEHANDLEIDING	VOOR DE INSTALLATEUR	Nederlands
MANUAL DE INSTALACIÓN	PARA EL INSTALADOR	Español
MANUALE DI INSTALLAZIONE	PER L'INSTALLATORE	Italiano
ΕΓΧΕΙΡΙΔΙΟ ΟΔΗΓΙΩΝ ΕΓΚΑΤΑΣΤΑΣΗΣ	ΓΙΑ ΑΥΤΟΝ ΠΟΥ ΚΑΝΕΙ ΤΗΝ ΕΓΚΑΤΑΣΤΑΣΗ	Ελληνικά
MANUAL DE INSTALAÇÃO	PARA O INSTALADOR	Português
INSTALLATIONSMANUAL	TIL INSTALLATØREN	Dansk
INSTALLATIONSMANUAL	FÖR INSTALLATÖREN	Svenska
MONTAJ ELKİTABI	MONTÖR İÇİN	Türkçe
РУКОВОДСТВО ПО УСТАНОВКЕ	ДЛЯ УСТАНОВИТЕЛЯ	Русский
ПОСІБНИК З УСТАНОВЛЕННЯ	ДЛЯ СПЕЦІАЛІСТА З МОНТАЖУ	Українська
РЪКОВОДСТВО ЗА МОНТАЖ	ЗА МОНТАЖНИКА	Български
INSTRUKCJA MONTAŻU	DLA INSTALATORA	Polski
INSTALLASJONSHÅNDBOK	FOR MONTØR	Norsk
ASENNUSOPAS	ASENTAJALLE	Suomi
INSTALAČNÍ PŘÍRUČKA	PRO MONTÁŽNÍ PRACOVNÍKY	Čeština
NÁVOD NA INŠTALÁCIU	PRE MONTÉRA	Slovenčina
TELEPÍTÉSI KÉZIKÖNYV	A TELEPÍTŐ RÉSZÉRE	Magyar
NAMESTITVENI PRIROČNIK	ZA MONTERJA	Slovenščina
MANUAL DE INSTALARE	PENTRU INSTALATOR	Română
PAIGALDUSJUHEND	PAIGALDAJALE	Eesti
MONTĀŽAS ROKASGRĀMATA	UZSTĀDĪŠANAS SPECIĀLISTAM	Latviski
MONTAVIMO VADOVAS	SKIRTA MONTUOTOJUI	Lietuviškai
PRIRUČNIK ZA POSTAVLJANJE	ZA INSTALATERA	Hrvatski
UPUTSTVO ZA UGRADNJU	ZA MONTERA	Srpski

1. Sigurnosne mjere opreza	1	6. Električni radovi	9
2. Odabir mjesta za ugradnju	3	7. Održavanje	10
3. Shema ugradnje	5	8. Vodovodni radovi	11
4. Polaganje odvodnih cijevi za vanjsku jedinicu	5	9. Ispumpavanje	13
5. Cijevi za rashladno sredstvo	6	10. Specifikacije	14



**Napomena: Ova oznaka simbola odnosi se samo na države EU-a.**

**Ova oznaka simbola u skladu je s direktivom 2012/19/EU, člankom 14., Informacije za korisnike i Prilogom IX.**

Vaš proizvod MITSUBISHI ELECTRIC osmišljen je i proizveden uporabom visokokvalitetnih materijala i komponenti koji se mogu reciklirati i uporišti.

Ovaj simbol znači da se električna i elektronička oprema na kraju svojeg radnog vijeka trebaju zbrinuti odvojeno od kućanskog otpada.

Pravilno zbrinite ovu opremu u lokalnom centru za prikupljanje/recikliranje otpada.

U Europskoj uniji postoje zasebni sustavi za prikupljanje iskorištenih električnih i elektroničkih proizvoda.

Pomognite nam u očuvanju okoliša u kojem živimo!

## ⚠ OPREZ:

- Ne ispuštajte R32 u atmosferu.

## 1. Sigurnosne mjere opreza

- ▶ Prije ugradnje jedinice, pobrinite se da pročitate sve „Sigurnosne mjere opreza“.
- ▶ Prije priključivanja na sustav izvijestite ili ishodite odobrenje od tijela nadležnog za opskrbu.

## ⚠ UPOZORENJE:

Pod ovom se oznakom opisuju mjere opreza kojih se treba pridržavati radi sprječavanja opasnosti od ozljede ili smrti korisnika.

## ⚠ OPREZ:

Pod ovom se oznakom opisuju mjere opreza kojih se treba pridržavati radi sprječavanja oštećenja jedinice.

Nakon što završite radove ugradnje, objasnite „Sigurnosne mjere opreza“, uporabu i održavanje jedinice kupcu sukladno informacijama u Priručniku za rukovanje i izvedite probni rad da biste zajamčili normalan rad. Korisniku morate dati i Priručnik za postavljanje i Priručniku za rukovanje. Ove priručnike treba dati kasnijim korisnicima.

⬇ : Označava dio koji treba uzemljiti.

## ⚠ UPOZORENJE:

Pažljivo pročitate sadržaje naljepnica na glavnoj jedinici.

- ⊙ : Pod ovom se oznakom opisuju upozorenja i mjere opreza prilikom uporabe rashladnog sredstva R32.

## ZNAČENJE SIMBOLA PRIKAZANIH NA UNUTARNJOJ I/ILI VANJSKOJ JEDINICI

	<b>UPOZORENJE</b> (Opasnost od požara)	Ova oznaka odnosi se samo na rashladno sredstvo R32. Vrsta rashladnog sredstva ispisana je na nazivnoj pločici vanjske jedinice. Ako je vrsta tog rashladnog sredstva R32, ta se jedinica koristi zapaljivim rashladnim sredstvom. Ako rashladno sredstvo iscuri i dođe u dodir s vatrom ili dijelom za grijanje, stvorit će štetni plin i postoji opasnost od požara.
	Pažljivo pročitate PRIRUČNIK ZA RUKOVANJE prije rada.	
	Servisno osoblje mora pažljivo pročitati PRIRUČNIK ZA RUKOVANJE i PRIRUČNIK ZA POSTAVLJANJE prije rada.	
	Dodatne informacije dostupne su u PRIRUČNIK ZA RUKOVANJE, PRIRUČNIKU ZA POSTAVLJANJE i slično.	

## ⚠ UPOZORENJE:

- Jedinicu ne smije postaviti korisnik. Zatražite od zastupnika ili od ovlaštenog tehničara da postavi i popravi jedinicu. Ako se jedinica ne postavi pravilno, može doći do istjecanja vode, strujnog udara ili požara.
- Za postavljanje i premještanje pridržavajte se uputa u Priručniku za postavljanje te upotrebljavajte alate i dijelove cijevi posebno napravljene za uporabu s rashladnim sredstvom R32. Ako se upotrebljavaju komponente cijevi koje nisu napravljene za rashladno sredstvo R32 i jedinica nije ispravno postavljena, cijevi mogu puknuti i tako prouzročiti oštećenja ili ozljede. Osim toga, može doći do istjecanja vode, strujnog udara ili požara.
- Jedinicu treba ugraditi u skladu s uputama da bi se rizik od oštećenja zbog potresa, tajfuna ili jakih vjetrova sveo na najmanju moguću mjeru. Neispravno ugrađena jedinica može pasti i prouzročiti oštećenje ili ozljede.
- Jedinicu treba sigurno ugraditi na konstrukciju koja može podnijeti njezinu težinu. Ako se jedinica postavi na nestabilnu konstrukciju, može pasti i biti uzrok oštećenja ili ozljede.
- Ako se dizalica topline sa zraka na vodu postavi u maloj prostoriji, moraju se poduzeti mjere kako bi se spriječilo da koncentracija rashladnog sredstva u prostoriji ne prijeđe sigurnosno ograničenje ako rashladno sredstvo istekne. Obratite se zastupniku kako biste saznali koje odgovarajuće mjere treba poduzeti kako bi se spriječilo prekoračenje dopuštene koncentracije. Ako rashladno sredstvo procuri i time koncentracija premaši ograničenje, mogu nastati rizici povezani s nedostatkom kisika u prostoriji.
- Prozračite prostoriju ako rashladno sredstvo procuri tijekom rada. Ako rashladno sredstvo dođe u kontakt s plamenom, oslobodit će se otrovni plinovi.
- Sve električne radove mora izvesti kvalificirani tehničar u skladu s lokalnim propisima i uputama danima u ovom priručniku. Jedinice treba napajati namjenskim strujnim vodovima i treba rabiti pravilan napon i prekidače strujnih krugova. Strujni vodovi nedovoljnog kapaciteta ili nepravilni električni radovi mogu biti uzrokom strujnog udara ili požara.
- Upotrijebite bakar-fosfor C1220 za bešavne bakrene cijevi i cijevi od bakrene legure da biste spojili cijevi rashladnog sredstva. Ako cijevi ne spojite pravilno, jedinica neće biti pravilno uzemljena i može nastati strujni udar.
- Ovaj uređaj mogu upotrebljavati stručnjaci ili osposobljeni korisnici u trgovinama, lakoj industriji i na poljoprivrednim gospodarstvima ili laici u komercijalne svrhe.
- Koristite se samo naznačenim kabelima za ožičenje. Spojeve za ožičenje treba postaviti sigurno, bez zategnutosti na priključcima. Također nikada nemojte spajati kabele za ožičenje (osim ako je u ovom dokumentu navedeno drukčije).
- Ako se ne pridržavate ovih uputa, može doći do pregrijavanja ili požara.
- Ako je kabel napajanja oštećen, moraju ga zamijeniti proizvođač, njegov servisni zastupnik ili osobe sličnih kvalifikacija radi izbjegavanja opasnosti.
- Uređaj se mora ugraditi u skladu s nacionalnim propisima o ožičenju.
- Ploču poklopca priključnog bloka vanjske jedinice treba čvrsto pričvrstiti. Ako ploču poklopca nepravilno postavite i prašina i vlaga prođu u jedinicu, mogu nastati strujni udar ili požar.

# 1. Sigurnosne mjere opreza

- Prilikom postavljanja, premještanja ili servisiranja dizalice topline sa zraka na vodu, koristite se samo navedenim rashladnim sredstvom (R32) kako biste napunili vodove za rashladno sredstvo. Ne miješajte ga ni s jednim drugim rashladnim sredstvom i ne dopuštajte ostanak zraka u vodovima. Ako se zrak pomiješa s rashladnim sredstvom, to može biti uzrokom abnormalno visokog tlaka u vodu rashladnog sredstva, što može izazvati eksploziju i ostale opasnosti. Uporaba bilo koje rashladne tekućine koja nije naznačena za sustav prouzročiti će mehanički kvar, kvar sustava ili oštećenje jedinice. U posebno teškim slučajevima, to bi moglo dovesti do ozbiljnih poteškoća sigurnosti proizvoda.
- Koristite se samo priborom koje je ovlastilo poduzeće Mitsubishi Electric i zatražite ugradnju od zastupnika ili ovlaštenog tehničara. Ako se dodatna oprema ne postavi pravilno, može doći do istjecanja vode, strujnog udara ili požara.
- Ne preinačujte jedinicu. Tako mogu nastati požar, strujni udar, ozljede ili curenje vode.
- Korisnik nikada ne bi smio pokušavati popraviti jedinicu ili je premjestiti na drugo mjesto. Ako se jedinica ne postavi pravilno, može doći do istjecanja vode, strujnog udara ili požara. Ako treba popraviti ili pomaknuti dizalicu topline sa zraka na vodu, obratite se zastupniku ili ovlaštenom tehničaru.
- Kada rashladni krug procuri, NEMOJTE izvoditi ispušavanje kompresorom.
- Prilikom crpljenja rashladnog sredstva, zaustavite kompresor prije odspajanja cijevi za rashladno sredstvo. Kompresor može eksplodirati ako zrak i sl. uđu u njega.
- Nakon dovršene ugradnje provjerite ima li curenja rashladnog sredstva. Ako rashladno sredstvo procuri u prostoriju i dođe u kontakt s plamenom grijalice ili prenosivog kuhala, oslobodit će se otrovni plinovi.
- Nemojte se koristiti sredstvima za ubrzavanje postupka odleđivanja ili za čišćenje osim onih koje preporučuje proizvođač.
- Uređaj se pohranjuje u prostoriji bez izvora zapaljenja koji neprekidno rade (na primjer: otvoreni plamen, uključeni plinski uređaj ili uključena električna grijalica).

- Nemojte bušiti ili paliti.
- Imajte na umu da rashladna sredstva možda nemaju miris.
- Položene cijevi moraju biti zaštićene od fizičkih oštećenja.
- Ugradnja cijevi mora biti što kraća.
- Pridržavajte se nacionalnih propisa o plinu.
- Bilo koji potrebni ventilacijski otvori moraju neometano raditi.
- Ne koristite se legurom za lemljenje pri niskoj temperaturi u slučaju tvrdog lemljenja cijevi rashladnog sredstva.
- Prilikom izvođenja radova tvrdog lemljenja svakako dovoljno provjetrite prostoriju. Pobrinite se da u blizini nema opasnih ili zapaljivih materijala. Prilikom izvođenja radova u zatvorenoj prostoriji, maloj prostoriji ili sličnom mjestu pobrinite se da nema curenja rashladnog sredstva prije izvođenja radova. Ako rashladno sredstvo procuri i nakupi se, može se zapaliti ili se mogu osloboditi otrovni plinovi.
- Uređaj treba uskladištiti u dobro prozračenom području gdje veličina prostorije odgovara propisanoj veličini prostorije za rad.
- Držite plinske uređaje, električne grijače i ostale izvore plamena (izvore zapaljenja) podalje od mjesta na kojem će se izvoditi radovi ugradnje, popravka i ostali radovi vezani uz dizalicu topline sa zraka na vodu. Ako rashladno sredstvo dođe u kontakt s plamenom, oslobodit će se otrovni plinovi.
- Ne pušite tijekom rada i prijevoza.
- Nemojte dodavati rashladno sredstvo iznad maksimalne količine za svaku vanjsku jedinicu. Ako se prekorači maksimalna dozvoljena količina rashladnog sredstva, može doći do požara kada rashladno sredstvo počne curiti.

## 1.1. Prije ugradnje



### OPREZ:

- Ne upotrebljavajte jedinicu u neobičnom okruženju. Ako se dizalica topline sa zraka na vodu ugradi u područjima izloženima pari, hlapljivom ulju (uključujući strojno ulje) ili sumpornom plinu, područjima izloženima visokom sadržaju soli, kao što je morska obala ili područjima gdje će jedinica biti prekrivena snijegom, može doći do bitnog smanjenja učinkovitosti i oštećenja unutarnjih dijelova.
- Ne ugrađujte jedinicu tamo gdje mogu procuriti, nastati ili teći zapaljivi plinovi ili gdje se mogu nakupljati. Ako se zapaljivi plinovi nakupe oko jedinice, mogu nastati požar ili eksplozija.

- Vanjska jedinica proizvodi kondenzaciju tijekom grijanja. Svakako se pobrinite za ispuh oko vanjske jedinice ako ta kondenzacija može biti uzrokom oštećenja.
- Kada ugrađujete jedinicu u bolnici ili komunikacijskom uredu, budite spremni na buku i električne smetnje. Inverteri, kućanski uređaji, medicinska oprema visoke frekvencije i oprema za radijsku komunikaciju mogu prouzročiti kvar ili prekid rada dizalice topline sa zraka na vodu. Dizalica topline sa zraka na vodu može i utjecati na medicinsku opremu, ometajući pružanje medicinske skrbi te komunikacijsku opremu, smanjujući kakvoću prikaza na zaslonu.

## 1.2. Prije postavljanja (premještanja)



### OPREZ:

- Budite jako oprezni prilikom prenošenja ili postavljanja jedinica. Budući da jedinica teži 20 kg ili više, potrebne su dvije ili više osoba za rukovanje jedinicom. Ne zahvaćajte objumice za pakiranje. Nosite zaštitne rukavice da biste uklonili jedinicu iz ambalaže i pomaknuli je, budući da na rebrima ili rubu drugih dijelova možete ozlijediti ruke.
- Pobrinite se da sigurno odložite materijale za pakiranje. Materijali za pakiranje, kao što su čavli i drugi metalni ili drveni dijelovi, mogu prouzročiti ubodne rane i druge ozljede.

- Treba povremeno provjeriti jesu li postojle i priključci vanjske jedinice labavi, ima li na njima pukotina ili drugih oštećenja. Ako takve greške ne otklonite, jedinica može pasti i biti uzrokom oštećenja ili ozljeda.
- Ne čistite vodom jedinicu dizalice topline sa zraka na vodu. Može doći do strujnog udara.
- Pričvrstite sve matice s proširenjem momentnim ključem sukladno specifikaciji. Ako je previše stegnuta, matica s proširenjem može se slomiti nakon dugog razdoblja i rashladno će sredstvo procuriti.

## 1.3. Prije električnih radova



### OPREZ:

- Svakako ugradite zaštitne osigurače. Ako ih ne ugradite, može doći do strujnog udara.
- Za strujne vodove upotrijebite standardne kabele dovoljnog kapaciteta. Inače bi mogli nastati kratki spoj, pregrijavanje ili požar.
- Prilikom ugrađivanja strujnih vodova nemojte zatezati kabele. Ako su priključci labavi, kabeli mogu prsnuti ili puknuti i može doći do pregrijavanja ili požara.

- Svakako uzemljite jedinicu. Ne spajajte žicu uzemljenja na cijevi plina ili vode, gromobrane ili podzemne telefonske linije. Ako jedinica nije pravilno uzemljena, može doći do strujnog udara.
- Upotrijebite zaštitne osigurače (prekidač zemnog spoja, izolacijski prekidač (+B osigurač), zaštitni prekidač za veća strujna opterećenja) naznačenog kapaciteta. Ako je kapacitet prekidača veći od naznačenog kapaciteta, može doći do prekida rada ili požara.

# 1. Uvijek se treba pridržavati sljedećeg radi sigurnosti

## 1.4. Prije početka probnog rada

### OPREZ:

- Uključite glavni strujni prekidač više od 12 sati prije nego što počnete s radom. Ako počnete s radom rada netom nakon uključivanja strujnog prekidača, možete ozbiljno oštetiti unutarnje dijelove. Glavna strujna sklopka treba biti uključena tijekom sezone rada.
- Prije nego što počnete s radom, provjerite jesu li sve ploče, zaštite i ostali zaštitni dijelovi ispravno ugrađeni. Rotirajući, vrući ili dijelovi pod visokim naponom mogu prouzročiti ozljede.

- Ne dodirujte nijedan prekidač mokrim rukama. Može doći do strujnog udara.
- Ne dodirujte cijevi rashladnog sredstva golim rukama tijekom rada. Cijevi rashladnog sredstva vruće su ili hladne ovisno o stanju rashladnog sredstva koje teče. Ako dodirnete cijevi, možete pretrpjeti opekline ili ozeblina.
- Nakon zaustavljanja rada, svakako pričekajte barem pet minuta prije nego što isključite glavni strujni prekidač. Inače bi moglo doći do curenja vode ili prekida rada.

## 1.5. Korištenje R32 rashladnog sredstva za dizalicu topline sa zraka na vodu

### OPREZ:

- Upotrijebite bakar-fosfor C1220 za bešavne bakrene cijevi i cijevi od bakrene legure da biste spojili cijevi rashladnog sredstva. Pobrinite se da je unutrašnjost cijevi čista i da u njima nema nikakvih štetnih onečišćivača, kao što su sumporni spojevi, oksidansi, krhotine ili prašina. Rabite cijevi navedene debljine. (Pogledajte odlomak 4.1.) Napominjemo sljedeće u slučaju ponovne uporabe postojećih cijevi u kojima se prenosilo rashladno sredstvo R22.
  - Zamijenite postojeće matice s proširenjem i opet proširite proširene dijelove.
  - Ne rabite tanke cijevi. (Pogledajte odlomak 4.1.)
- Uskladištite cijevi koje će se rabiti tijekom postavljanja u zatvorenom prostoru i neka oba kraja cijevi budu zabrtvljena do netom prije tvrdog lemljenja. (Ostavite kutne spojeve itd. u njihovoj ambalaži.) Ako u vodove za rashladno sredstvo uđu prašina, otpad ili vlaga, može doći do pogoršanja ulja ili kvara kompresora.
- Upotrijebite ulje na bazi estera, ulje na bazi etera ili ulje od alkil-benzena (malu količinu) kao rashladno ulje koje se nanosi na pertlane dijelove. Ako se u ulje rashladnog sredstva umiješa mineralno ulje, može doći do pogoršanja ulja.

- Postupak servisiranja treba obavljati isključivo prema uputama koje je propisao proizvođač.
- Upotrebjavajte isključivo rashladno sredstvo R32. Ako se upotrebljava drugo rashladno sredstvo, ulje zbog klora propada.
- Upotrebjavajte sljedeće alate posebno napravljene za uporabu s rashladnim sredstvom R32.

Sljedeći su alati potrebni za uporabu rashladnog sredstva R32. Obratite se najbližem zastupniku ako imate pitanja.

Alati (za R32)	
Mjerač razdjelnika	Alat za proširivanje
Crijevo za punjenje	Mjerač za namještanje veličine
Detektor istjecanja plina	Adapter vakuumske pumpe
Momentni ključ	Elektronička ljestvica punjenja rashladnog sredstva

- Pobrinite se da rabite pravilan alat. Ako u vodove za rashladno sredstvo uđu prašina, otpad ili vlaga, može doći do pogoršanja rashladnog ulja.

## 2. Odabir mjesta za ugradnju

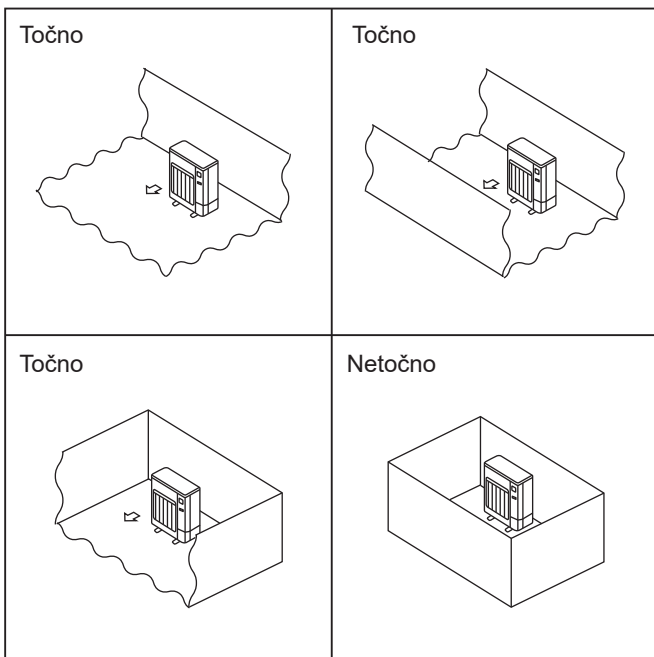


Fig. 2-1

### 2.1. Vanjska jedinica

- Poput svih ostalih rashladnih sredstava i R32 teži je od zraka pa se nakuplja pri dnu (u blizini poda). Ako se R32 nakuplja pri dnu, njegova se zapaljiva koncentracija može dosegnuti ako je prostorija mala. Kako biste spriječili njegovo zapaljenje, osigurajte prikladno provjetravanje radnog prostora kako biste ga održali sigurnim. Ako se utvrdi curenje rashladnog sredstva u prostoriji ili području u kojem nema dovoljne razine provjetravanja, ne upotrebljavajte plamen dok se radno okruženje ne poboljša primjenom prikladnog provjetravanja.
- Tamo gdje nije izložena jakom vjetru.
- Tamo gdje je zračni protok dobar i nema prašine.
- Tamo gdje ne uzrokuje kratki ciklus zraka.
- Tamo gdje susjedima ne smetaju zvukovi rada ili vruć zrak.
- Tamo gdje je dostupan čvrsti zid ili nosač kako bi se spriječilo pojačanje zvuka ili vibracija tijekom rada.
- Tamo gdje nema rizika od curenja zapaljivih plinova.
- Priilikom postavljanja jedinice na visoku razinu ne zaboravite učvrstiti noge jedinice.
- Tamo gdje je najmanje 3 m rastojanja od antene TV prijemnika ili radija. (Inače bi slika bila izobličena ili bi se proizvodila buka.)
- Postavite ga na područje koje nije izloženo snijegu ili snježnim zapusima. U područjima s teškim snježnim padavinama, ugradite krov, postolje i/ili neke odbojne ploče.
- Postavite jedinicu vodoravno.
- Spoj za cijevi rashladnog sredstva mora biti pristupačan radi održavanja.
- Postavite vanjske jedinice na mjesto gdje je barem jedna od četiri strane otvorena te u velikim prostorima bez udubina. (Fig. 2-1)

### OPREZ:

Izbjegavajte sljedeća mjesta za ugradnju u kojima se mogu pojaviti problemi s dizalicom topline sa zraka na vodu.

- Tamo gdje je prisutno previše strojnog ulja.
- Slane okoline, kao što su područja uz more.
- Tamo gdje se nalaze termalni izvori.
- Tamo gdje postoje sulfidni plinovi.
- Druga posebna atmosferska područja.

Vanjska jedinica proizvodi kondenzat tijekom rada u režimu grijanja. Izaberite mjesto ugradnje kako biste spriječili vlaženje vanjske jedinice i/ili površine odvodnom vodom ili oštećenje prouzročeno smrznutom odvodnom vodom.



## 2. Odabir mjesta za ugradnju

### 2.2. Najmanje područje postavljanja

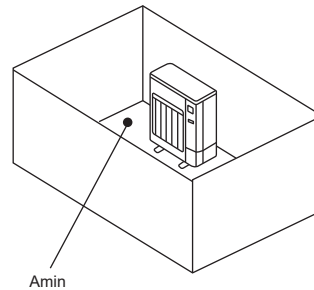
Ako postavite jedinicu u područje omeđeno sa sve četiri strane ili područje s udubinama, provjerite je li jedna od navedenih situacija (A, B ili C) zadovoljena.

**Napomena:** Ove protumjere omogućavaju sigurno korištenje te se njima ne jamči ostvarivanje navedenih radnih učinaka.

A) Osigurajte dovoljan prostor za postavljanje (najmanji prostor za postavljanje  $A_{min}$ ).

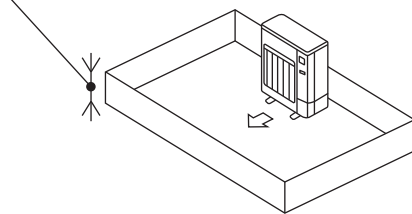
Postavite u prostor čija je veličina  $A_{min}$  ili veća ovisno o količini  $M$  rashladnog sredstva (rashladno sredstvo napunjeno u tvornici + rashladno sredstvo dodano na mjestu).

M [kg]	$A_{min}$ [m <sup>2</sup> ]
1,0	12
1,5	17
2,0	23
2,5	28
3,0	34
3,5	39
4,0	45
4,5	50
5,0	56
5,5	62
6,0	67
6,5	73
7,0	78
7,5	84

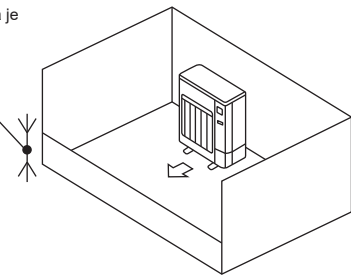


B) Postavite u prostor u kojem je visina udubine  $\leq 0,125$  [m].

Visina od donjeg dijela je  
0,125 [m] ili manje



Visina od donjeg dijela je  
0,125 [m] ili manje

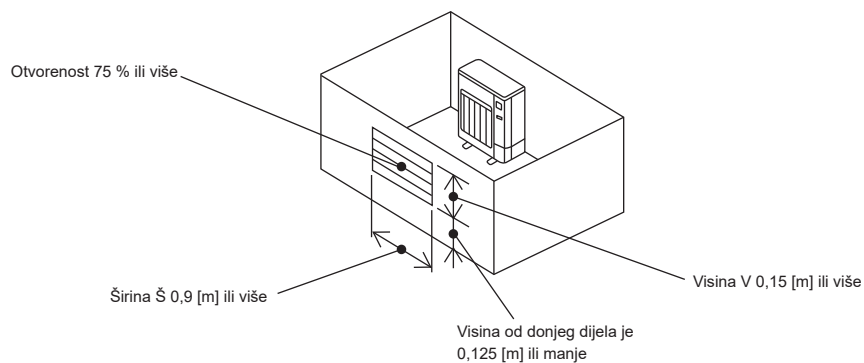


C) Osigurajte otvoren prostor s pravilnim provjetranjem.

Pripazite da širina otvorenog prostora bude 0,9 [m] ili više, a njegova visina 0,15 [m] ili više.

Međutim, visina bi od donjeg dijela prostora za postavljanje do donjeg ruba otvorenog prostora trebala biti 0,125 [m] ili manje.

Otvoreni prostor treba biti otvoren 75 % ili više.



**Napomena:** Što se tiče unutarnje jedinice, ne postoje ograničenja za postavljanje zbog uporabe R32 rashladnog sredstva. Pogledajte priručnik za postavljanje unutarnje jedinice i provjerite potrebno područje za postavljanje.

### 3. Shema ugradnje

#### 3.1. Vanjska jedinica (Fig. 3-1)

##### Provjetravanje i servisni prostor

- Ⓐ 100 mm ili više
- Ⓑ 350 mm ili više
- Ⓒ 500 mm ili više

Kada se cijevi pričvršćuju na zid koji sadrži metale (kositreni) ili metalnu mrežu, upotrijebite kemijski obrađeni drveni komad od 20 mm ili deblji između zida i cijevi ili omotajte 7 do 8 zavoja izolacijske vinilne trake oko položenih cijevi.

Jedinice trebaju postaviti licencirani izvođači radova u skladu s lokalnim propisima.

##### Napomena:

Prilikom rada dizalice topline sa zraka na vodu pri niskim vanjskim temperaturama, obavezno slijedite dolje opisane upute.

- Nikada ne postavljajte vanjsku jedinicu na mjesto gdje bi njena ulazna/izlazna strana zraka mogla biti izravno izložena vjetru.
- Kako biste spriječili izlaganje vjetru, postavite vanjsku jedinicu s ulaznom stranom zraka okrenutom prema zidu.
- Kako biste spriječili izlaganje vjetru, preporuča se ugradnja odbojne ploče na strani izlaza zraka vanjske jedinice.

- SUZ-SWM80VA2, SUZ-SWM80VAH2, SUZ-SWM100VA, SUZ-SWM100VAH, SUZ-SHWM60VAH

- SUZ-SWM30VA, SUZ-SWM40VA2, SUZ-SWM60VA2, SUZ-SHWM30VAH, SUZ-SHWM40VAH

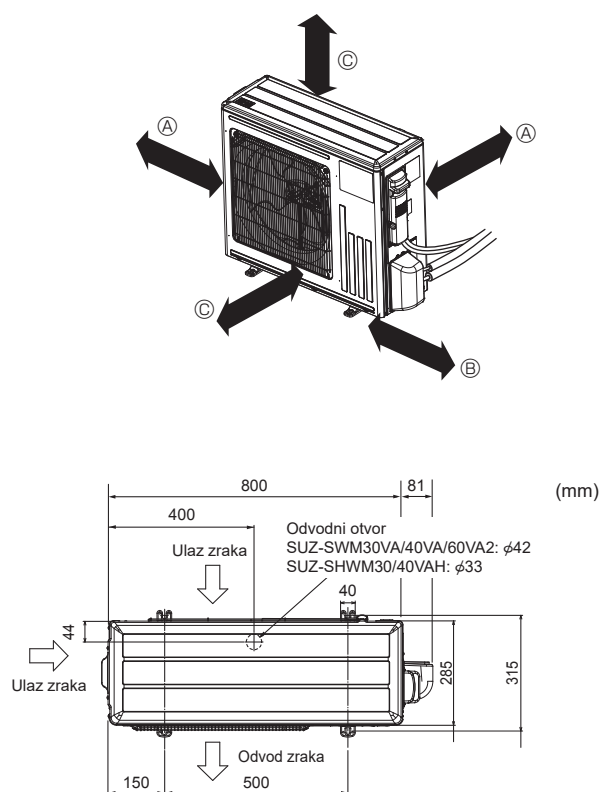
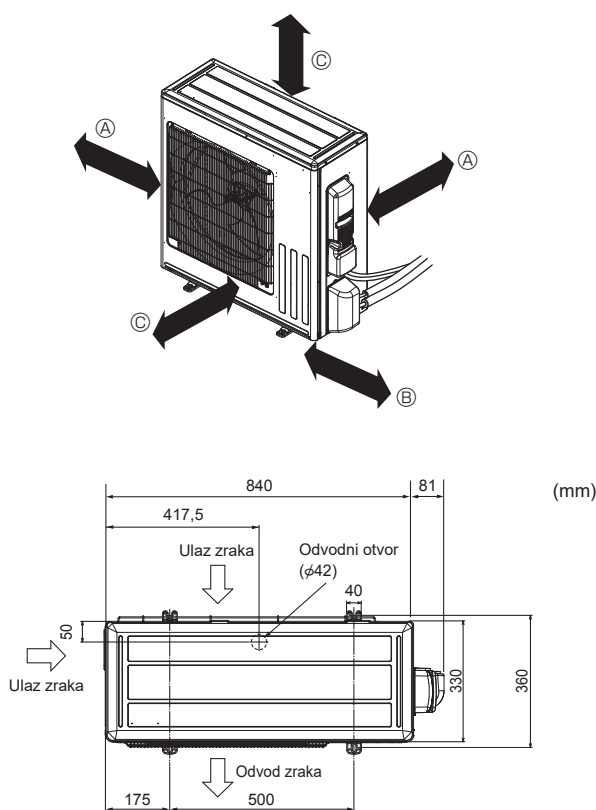


Fig. 3-1

### 4. Polaganje odvodnih cijevi za vanjsku jedinicu (Fig. 4-1)

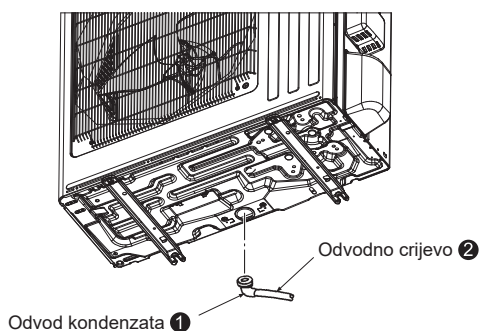


Fig. 4-1

#### 4.1. Dodatci

Prije instalacije provjerite sljedeće dijelove.

<Vanjska jedinica>

①	Odvod kondenzata	1
---	------------------	---

- Pribavite odvodne cijevi prije spajanja unutarnjih i vanjskih cijevi. (Teško je postaviti odvod kondenzata ① ako spajanje unutarnjih i vanjskih cijevi izvedete prije odvodnih cijevi zato što vanjska jedinica postaje nepomična.)
- Spojite odvodno crijevo ② (možete ga nabaviti u trgovini, unutarnji promjer: 15 mm) kako je prikazano na slici za odvodni sustav.
- Pobrinite se da postavite odvodne cijevi s nagibom prema dolje radi lakšeg odvoda.

##### Napomena:

Ne upotrebljavajte odvod kondenzata ① u hladnim područjima. Kondenzat se može zamrznuti i tako zaustaviti ventilator.

Odvod kondenzata nije uključen u SHWM seriju.

## 5. Cijevi za rashladno sredstvo

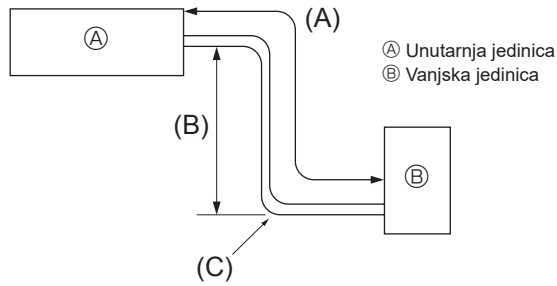


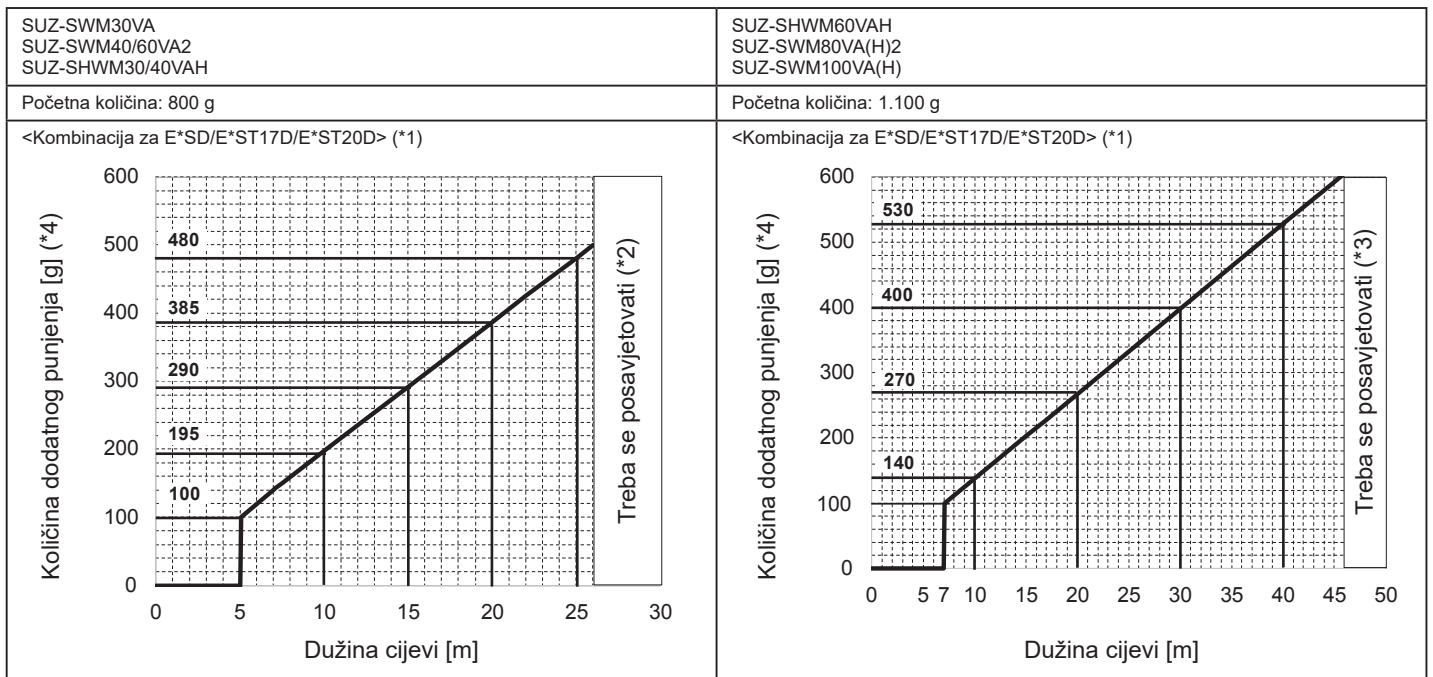
Fig. 5-1

### 5.1. Cijev rashladnog sredstva (Fig. 5-1)

► Provjerite jesu li razlika između visina unutarnje i vanjske jedinice, dužina cijevi rashladnog sredstva i broj zavoja u cijevi u rasponu ograničenja prikazanih u nastavku.

Modeli	(A) Duljina cijevi (jedan smjer)	(B) Visinska razlika	(C) Broj zavoja (u jednom smjeru)
SUZ-SWM30VA	2 m - 26 m	Najv. 26 m	Najv. 10
SUZ-SHWM30VAH			
SUZ-SWM40VA2			
SUZ-SHWM40VAH			
SUZ-SWM60VA2	2 m - 46 m	Najv. 30 m	
SUZ-SHWM60VAH			
SUZ-SWM80VA(H)2			
SUZ-SWM100VA(H)			

• Ograničenja razlike u visini obavezujuća su bez obzira na to koja je jedinica, unutarnja ili vanjska položena u viši položaj.



\*1. U slučaju spajanja na E\*ST30D, UVIJEK dodajte 50 g povrh dodatnog punjenja prema grafikonima.

\*2. Za dužinu cijevi veću od 26 m svakako se posavjetujte s našim stručnjakom.

\*3. Za dužinu cijevi veću od 46 m svakako se posavjetujte s našim stručnjakom.

\*4. U slučaju potpunog punjenja; početna količina + količina dodatnog punjenja

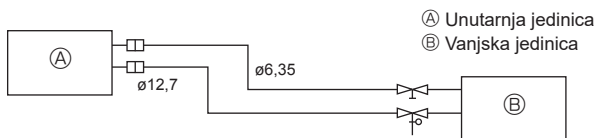


Fig. 5-2

(1) U tablici u nastavku prikazane su specifikacije cijevi u komercijalnoj ponudi. (Fig. 5-2)

Model	Cijev	Vanjski promjer		Min. debljina stijenke	Debljina izolacije	Izolacijski materijal
		mm	inča			
Svi modeli	Za tekućine	6,35	1/4	0,8 mm	8 mm	Plastična pjena otporna na toplinu specifične težine od 0,045
	Za plin	12,7	1/2	0,8 mm	8 mm	

(2) Pobrinite se da 2 cijevi rashladnog sredstva imaju dobru izolaciju radi sprječavanja kondenzacije.

(3) Polumjer savijanja cijevi rashladnog sredstva mora biti 100 mm ili veći.

### ⚠ OPREZ:

Rabite izolaciju navedene debljine. Prekomjerna debljina sprječava skladištenje iza unutarnje jedinice, a mala debljina uzrokom je kapanja kondenzata.

- Osigurajte prikladno provjetranje kako biste spriječili zapaljenje. Osim toga, ne zaboravite primijeniti protupožarne mjere kako se opasni ili zapaljivi predmeti ne bi nalazili u okružju.
  - Punjenje rashladnim sredstvom R32 prilikom održavanja: Prije nego što izvedete punjenje opreme rashladnim sredstvom R32 da biste zajamčili da nema rizika od eksplozije od električnih iskri, morate se pobrinuti da je stroj opreme u potpunosti isključen iz elektroenergetske mreže.
  - Izolacijski materijali trebaju zadovoljavati sljedeće SPECIFIKACIJE.
    - (1) Brzina prijenosa topline: 0,040 W/mK ili manja
    - (2) Debljina izolacije: 9 mm ili više
    - (3) Otpornost na toplinu: 110 °C ili više
- Ako je vanjska duljina cijevi veća od 15 m, debljina izolacije treba biti 18 mm ili veća.

## 5. Cijevi za rashladno sredstvo

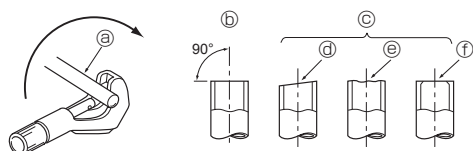


Fig. 5-3

- Ⓐ Bakrene cijevi
- Ⓑ Dobro
- Ⓒ Nije dobro
- Ⓓ Nagnuto
- Ⓔ Nejednako
- Ⓕ S opiljcima

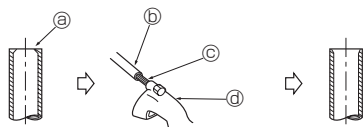


Fig. 5-4

- Ⓐ Opiljak
- Ⓑ Bakrena cijev
- Ⓒ Rezervni razvrtač
- Ⓓ Alat za rezanje cijevi

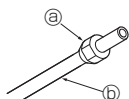


Fig. 5-5

- Ⓐ Matica za pertlanje
- Ⓑ Bakrena cijev

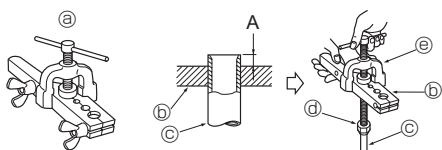


Fig. 5-6

- Ⓐ Alat za pertlanje
- Ⓑ Kalup
- Ⓒ Bakrena cijev
- Ⓓ Matica za pertlanje
- Ⓔ Stremen

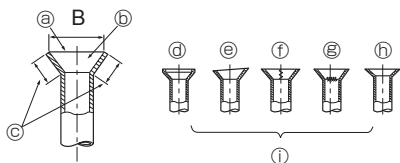


Fig. 5-7

### 5.2. Pertlanje

- Nedostatak u pertlanju glavni je uzrok curenja plina.
- Izvedite pravilno pertlanje prema sljedećem postupku.

#### 5.2.1. Rezanje cijevi (Fig. 5-3)

- Koristeći se alatom za rezanje cijevi pravilno izrežite bakrenu cijev.

#### 5.2.2. Uklanjanje opiljaka (Fig. 5-4)

- Potpuno uklonite sve opiljke iz izrezanog poprečnog presjeka cijevi.
- Okrenite kraj bakrene cijevi u smjeru nadolje dok uklanjate opiljke da biste izbjegli upadanje opiljaka u cijevi.

#### 5.2.3. Stavljanje matice (Fig. 5-5)

- Skinite matice za pertlanje pričvršćene za unutarnju i vanjsku jedinicu, a zatim ih stavite na cijev nakon što ste završili uklanjanje opiljaka.
- (Nije ih moguće staviti nakon pertlanja)

#### 5.2.4. Pertlanje (Fig. 5-6)

- Izvedite pertlanje alatom za pertlanje kako je prikazano lijevo.

Promjer cijevi (mm)	Dimenzija	
	A (mm)	B <sup>+0</sup> <sub>-0,4</sub> (mm)
	Kada se rabi alat za R32	
	Tip spojke	
6,35	0 - 0,5	9,1
9,52	0 - 0,5	13,2
12,7	0 - 0,5	16,6
15,88	0 - 0,5	19,7

Čvrsto držite bakrenu cijev u kalupu u dimenziji prikazanoj u gornjoj tablici.

#### 5.2.5. Provjera (Fig. 5-7)

- Usporedite izvedeno pertlanje sa slikom na lijevoj strani.
- Ako je proširenje nepravilno, odsijecite prošireni dio i ponovite pertlanje.

- Ⓐ Glatko sa svih strana
- Ⓑ Unutrašnjost je sjajna, bez ogrebotina
- Ⓒ Podjednaka duljina svuda
- Ⓓ Previše
- Ⓔ Nagnuto
- Ⓕ Ogrebotina na pertlanoj površini
- Ⓖ Napuknuto
- Ⓗ Nejednako
- Ⓘ Loši primjeri

- Nanesite tanki sloj rashladnog ulja na površinu dosjeda cijevi. (Fig. 5-8)
- Prilikom spajanja najprije poravnajte središte, zatim pritegnite prva 3 do 4 okretaja matice za pertlanje.
- Upotrijebite tablicu zakretnog momenta u nastavku kao smjernicu za holenderski spoj sa strane unutarnje jedinice i pritegnite uporabom dvaju ključeva. Prekomjerno zatezanje oštećuje pertlani dio.

Vanjski promjer bakrene cijevi (mm)	Vanjski promjer matice s proširenjem (mm)	Moment pritezanja (N·m)
ø6,35	17	14 - 18
ø9,52	22	34 - 42
ø12,7	26	49 - 61
ø15,88	29	68 - 82

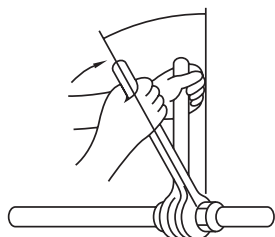


Fig. 5-8

### ⚠ UPOZORENJE:

Prilikom ugradnje jedinice, cijevi rashladnog sredstva čvrsto spojite prije pokretanja kompresora.

### ⚠ UPOZORENJE:

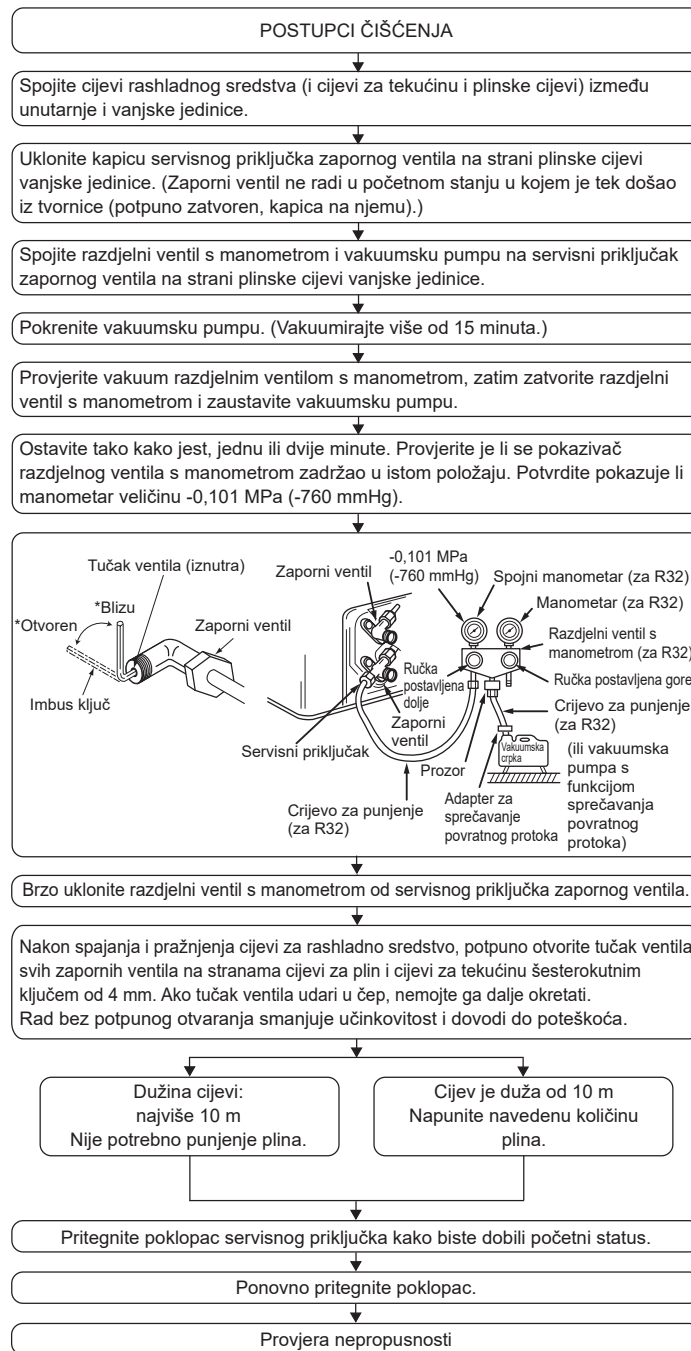
Budite oprezni, matice za pertlanje mogu izletjeti! (Unutrašnjost pod tlakom)

Uklonite maticu s proširenjem kako slijedi:

1. Olabavite maticu dok ne čujete šišteći zvuk.
2. Ne uklanjajte maticu dok se plin u potpunosti ne ispusti (tj. prestane šišteći zvuk).
3. Provjerite je li plin u potpunosti ispušten, a zatim uklonite maticu.

## 5. Cijevi za rashladno sredstvo

### 5.3. Postupci čišćenja i provjera nepropusnosti

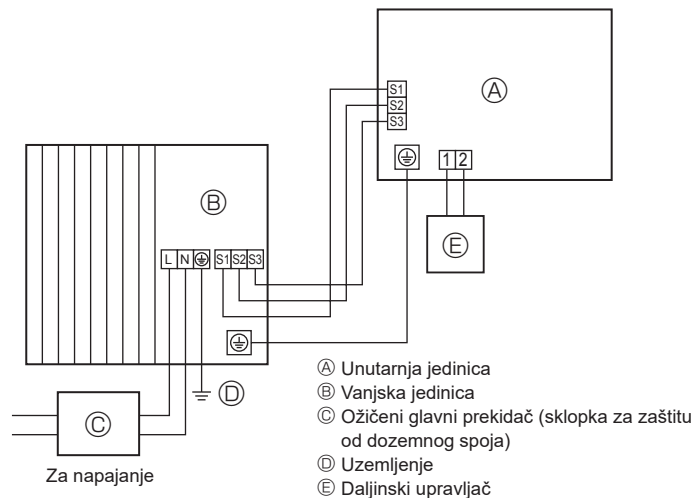


## 6. Električni radovi

### 6.1. Vanjska jedinica (Fig. 6-1, Fig. 6-2, Fig. 6-3)

- ① Uklonite servisnu ploču.
- ② Izvedite ožičenje kabela u skladu sa slikama Fig. 6-1, Fig. 6-2 i Fig. 6-3.

#### ■ SUZ-SHWM60VAH, SUZ-SWM80VA(H)2, SUZ-SWM100VA(H)



#### ■ SUZ-SHWM30/40VAH, SUZ-SWM30VA, SUZ-SWM40/60VA2

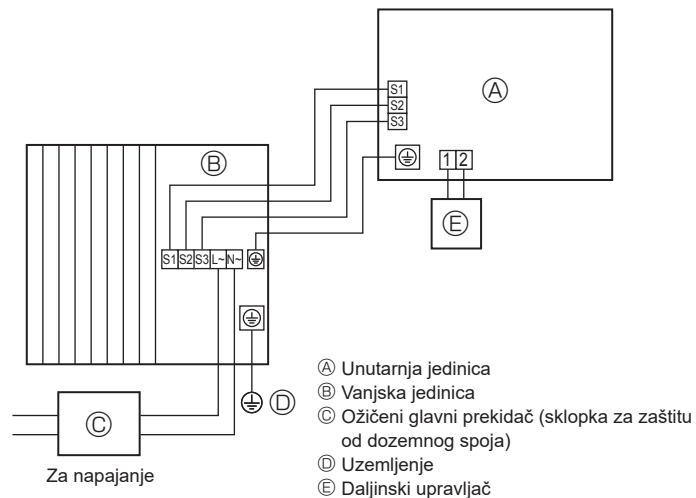


Fig. 6-1

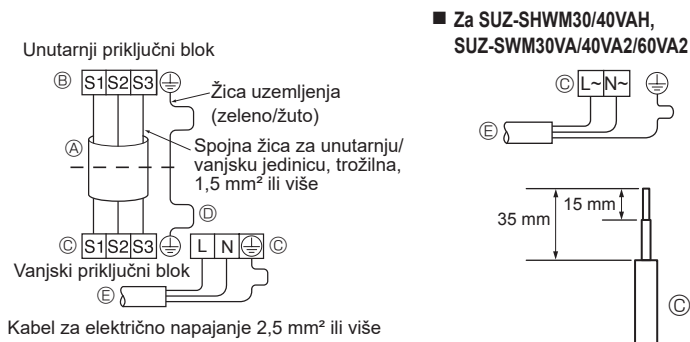
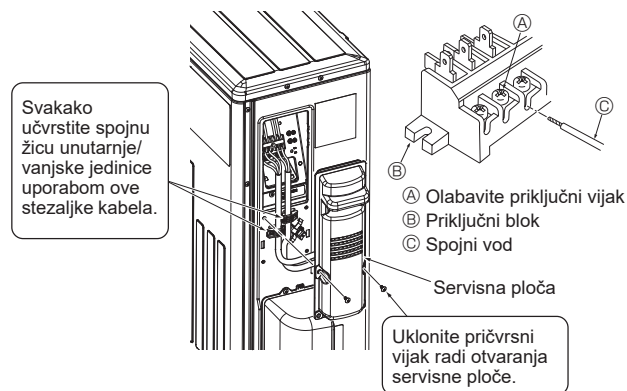
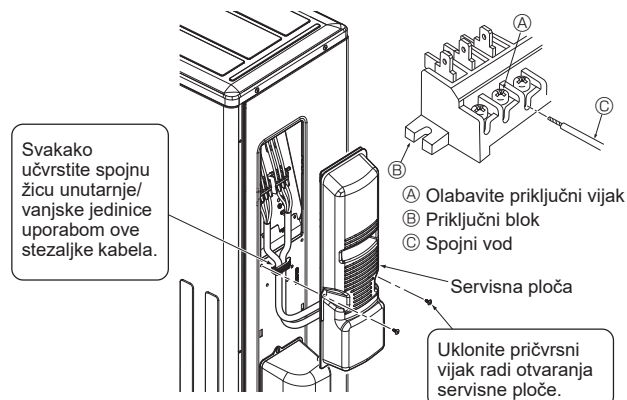


Fig. 6-2

#### ■ SUZ-SWM30VA, SUZ-SWM40VA2, SUZ-SWM60VA2, SUZ-SHWM30VAH, SUZ-SHWM40VAH



#### ■ SUZ-SWM80VA2, SUZ-SWM100VA, SUZ-SWM80VAH2, SUZ-SWM100VAH, SUZ-SHWM60VAH



- Izvedite ožičenje kako je prikazano na shemi dolje lijevo. (Nabavite kabel u lokalnoj ponudi) (Fig. 6-2)

Pobrinite se da rabite samo kabele odgovarajućeg polariteta.

- (A) Priključni kabel
- (B) Unutarnji priključni blok
- (C) Vanjski priključni blok
- (D) Uvijek ugradite vodič za uzemljenje dulji od ostalih kabela.
- (E) Kabel za napajanje
- (F) Vodič kabela

- Vodič za uzemljenje neka bude malo dulji od ostalih. (Više od 100 mm)
- Za daljnje servisiranje, ostavite veću duljinu vodiča za povezivanje.
- Prilikom pričvršćivanja kabela i/ili žice na priključni blok, obvezno pričvrstite svaki vijak na odgovarajući priključni blok.

- Pravilno spojite kabel unutarnje jedinice na priključni blok.
- Upotrijebite isti priključni blok i polaritet koje ste upotrijebili za unutarnju jedinicu.
- Kada je riječ o održavanju nakon uporabe, priključni kabel treba biti veće dužine.

- S oba kraja priključnog kabela (žica za produženje) treba skinuti izolaciju. Ako su predugi, ili ako se priključuju izrezivanjem sredine, uklonite izolaciju s kabela za napajanje do veličine navedene na slici.
- Pazite da priključni kabel ne dođe u dodir s cijevima.

### ⚠ OPREZ:

- Pazite da vodiče ne spojite pogrešno.
- Čvrsto zategnite priključne vijke kako biste spriječili njihovo popuštanje.
- Nakon pritezanja lagano povucite vodove kako biste potvrdili da se ne pomiču.

### ⚠ UPOZORENJE:

- Svakako dobro učvrstite servisnu ploču vanjske jedinice. Ako nije pričvršćena pravilno, mogli bi nastati požar ili strujni udar zbog prašine, vode itd.
- Čvrsto stegnite priključne vijke.
- Ožičenje treba izvesti tako da napojni vodovi ne budu nategnuti. Inače bi se mogla stvarati toplina ili može nastati požar.

## 6. Električni radovi

### 6.2. Terenske električne žice

Model vanjske jedinice		SUZ-SHWM30VAH/40VAH SUZ-SWM30VA/40VA2/60VA2	SUZ-SHWM60VAH SUZ-SWM80VA(H)2/SWM100VA(H)
Strujno napajanje vanjske jedinice		~/N (jedno), 50 Hz, 230 V	~/N (jedno), 50 Hz, 230 V
Ulazni kapacitet vanjske jedinice		16 A	20 A
Žica za ožičenje br. x veličina (mm <sup>2</sup> )	Glavna sklopka (prekidač) *1	2 x najm. 2,5	2 x najm. 2,5
	Strujno napajanje vanjske jedinice i uzemljenje	1 x najm. 2,5	1 x najm. 2,5
	Unutarnja jedinica – vanjska jedinica	3 x 1,5 (ne-polno)	3 x 1,5 (ne-polno)
	Uzemljenje unutarnje jedinice – vanjske jedinice	1 x najm. 1,5	1 x najm. 1,5
Nazivni podaci strujnog kruga	Vanjska jedinica L-N *2	230 VAC	230 VAC
	Unutarnja jedinica – vanjska jedinica S1-S2 *2	230 VAC	230 VAC
	Unutarnja jedinica – vanjska jedinica S2-S3 *2	12 VDC – 24 VDC	12 VDC – 24 VDC

\*1. Mora se osigurati prekidač čiji su kontakti odvojeni najmanje 3 mm u svakom polu. Upotrijebite zaštitni prekidač propuštanja uzemljenja (NV).

Pobrinite se da je prekidač curenja struje kompatibilan s višim rješenjima.

Uvijek rabite prekidač curenja struje koji je kompatibilan s višim rješenjima budući da ova jedinica ima inverter.

Ako rabite neprimjeren prekidač, možete prouzročiti nepravilan rad invertera.

\*2. Brojke NISU uvijek u odnosu na pod.

Priključak S3 ima 24 VDC u odnosu na priključak S2. No, između S3 i S1 ovi priključci NISU električno izolirani pretvaračem ili drugim uređajem.

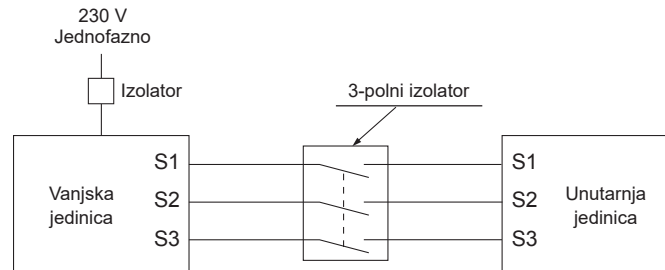
**Napomene:** 1. Veličina ožičenja mora biti u skladu s primjenjivim lokalnim i nacionalnim propisom.

2. Kabeli za strujno napajanje i spojni kabeli unutarnje jedinice / vanjske jedinice moraju biti zaštićeni najmanje kao savitljivi kabeli s oblogom od polikloroprena. (Dizajn 60245 IEC 57)

3. Ugradite uzemljenje dulje od ostalih kabela.

4. Za ožičenje strujnog napajanja upotrijebite distribucijske kabele koji se sami gase.

5. Pravilno usmjerite ožičenje tako da ne dodiruje rub lima ili rub vijka.



### ⚠ UPOZORENJE:

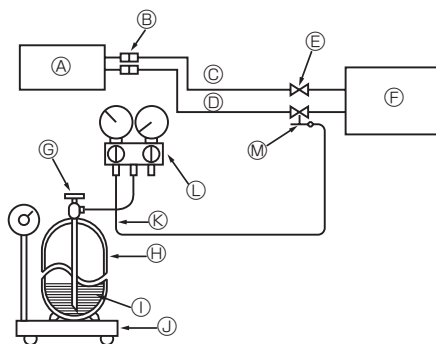
Postoji potencijal visokog napona na terminalu S3 jer strujni krug nema električnu izolaciju između napojnog voda i komunikacijskog signalnog voda. Stoga isključite glavno strujno napajanje prilikom servisiranja. I ne dodirujte terminale S1, S2 i S3 kada je uključeno napajanje. Ako se izolator rabi između unutarnje i vanjske jedinice, upotrijebite 3-polnu vrstu.

Nikada ne spajajte strujni kabel ili unutarnji-vanjski spojni kabel, inače mogu nastati dim, požar ili prekid komunikacije.

Svakako spojite unutarnje-vanjske spojne kabele izravno na jedinice (bez međuspojeva).

Međuspojevi mogu biti uzrokom komunikacijske greške ako voda uđe u kabele i prouzroči uzemljenje nedovoljne izolacije ili loš kontakt na međuspojnoj točki.

## 7. Održavanje



- |  |   |
|--|---|
| (A) Unutarnja jedinica                       | (H) Spremnik plinovitog rashladnog sredstva za R32 sa sifonom |
| (B) Spoj                                     | (I) Rashladno sredstvo (tekuće)                               |
| (C) Cijev za tekućinu                        | (J) Elektronička vaga za punjenje rashladnim sredstvom        |
| (D) Cijev za plin                            | (K) Crijevo za punjenje (za R32)                              |
| (E) Zaporni ventil                           | (L) Razdjelni ventil s manometrom (za R32)                    |
| (F) Vanjska jedinica                         | (M) Servisni priključak                                       |
| (G) Boca s rashladnim sredstvom radni ventil |   |

Fig. 7-1

### 7.1. Punjenje plina (Fig. 7-1)

1. Priključite spremnik za plin na servisni priključak zapornog ventila (3-smjerni).
2. Uklonite zrak iz cijevi (ili crijeva) koja izlazi iz spremnika rashladnog plina.
3. Kada dizalica topline sa zraka na vodu radi u načinu hlađenja, nadopunite propisanom količinom rashladnog sredstva.

**Napomena:**

Ako se dodaje rashladno sredstvo, pridržavajte se količine navedene za ciklus hlađenja.

### ⚠ OPREZ:

- Ne ispuštajte rashladno sredstvo u atmosferu. Pazite da ne ispuštite rashladno sredstvo u atmosferu tijekom postavljanja, ponovnog postavljanja ili popravka kola rashladnog sredstva.
- Radi dodatnog punjenja napunite rashladno sredstvo iz tekuće faze spremnika plina. Ako rashladno sredstvo napunite iz plinske faze, može nastati promjena sastava u rashladnom sredstvu u spremniku i vanjskoj jedinici. U tom slučaju smanjuje se funkcionalnost rashladnog sredstva ili normalan rad možda ne bude moguć. Međutim, ako odjednom punite tekuće rashladno sredstvo, možete blokirati kompresor. Dakle, polako punite rashladno sredstvo.

Kako biste održali visoki tlak u spremniku za plin, zagrijte spremnik za plin toplom vodom (ispod 40 °C) tijekom hladnog vremena. Nikada ne upotrebljavajte otvoreni plamen ili paru.

## 8. Vodovodni radovi

### 8.1. Minimalna količina vode

Pogledajte priručnik za postavljanje unutarnje jedinice.

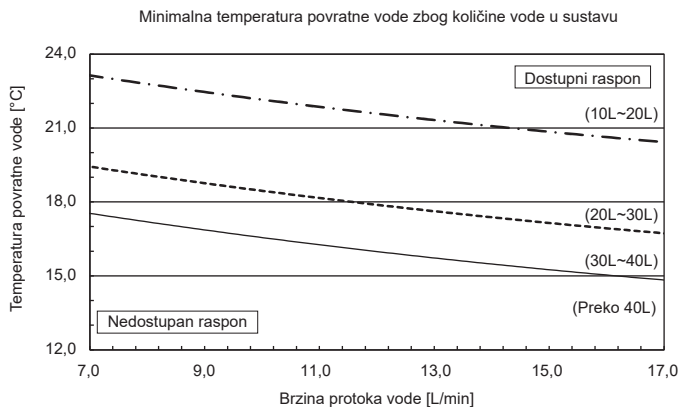
### 8.2. Dostupni raspon (brzina protoka vode, temperatura povratne vode)

Osigurajte sljedeću brzinu protoka vode i raspon povratne temperature u krugu s vodom.

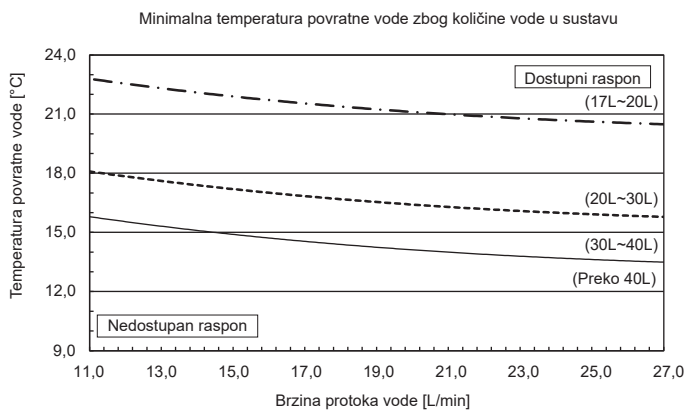
Ove krivulje su u svezi s količinom vode.

#### ■ Grijanje

SUZ-SWM30VA SUZ-SHWM30VAH  
SUZ-SWM40VA2 SUZ-SHWM40VAH  
SUZ-SWM60VA2



SUZ-SWM80VA(H)2  
SUZ-SWM100VA(H)  
SUZ-SHWM60VAH



#### Napomena:

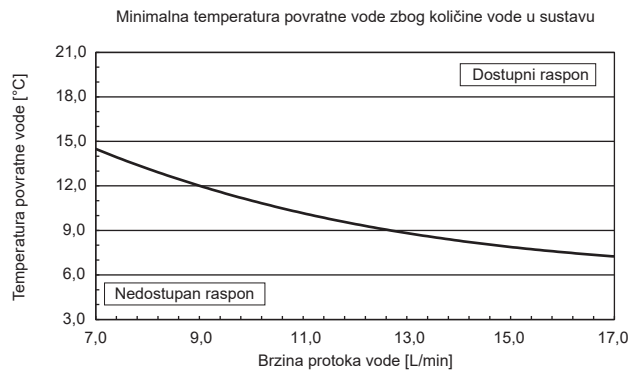
- Svakako izbjegavajte nedostupan raspon tijekom odmrzavanja. Inače, vanjska jedinica se nije dovoljno odmrznula i/ili se izmjenjivač topline unutarnje jedinice može smrznuti.
- Temperatura protoka NE SMIJE nikad biti NIŽA od 32°C kada vanjska temperatura padne ispod -15°C. Potencijalni rizici od smrzavanja i oštećenja ploče izmjenjivača topline, a također bi se i vanjski izmjenjivač topline smrznuo zbog nedovoljnog sredstva za odmrzavanje.



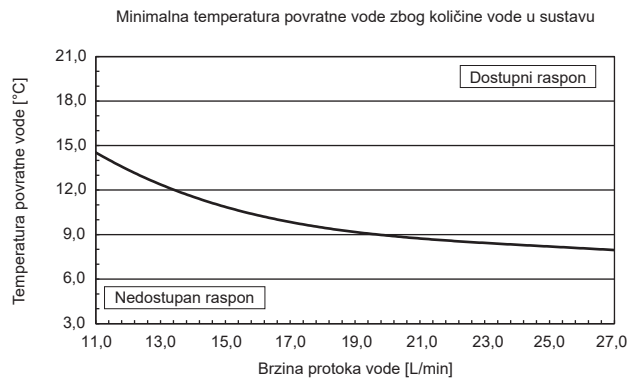
## 8. Vodovodni radovi

### ■ Hlađenje

SUZ-SWM30VA SUZ-SHWM30VAH  
SUZ-SWM40VA2 SUZ-SHWM40VAH  
SUZ-SWM60VA2



SUZ-SWM80VA(H)2  
SUZ-SWM100VA(H)  
SUZ-SHWM60VAH



#### Napomena:

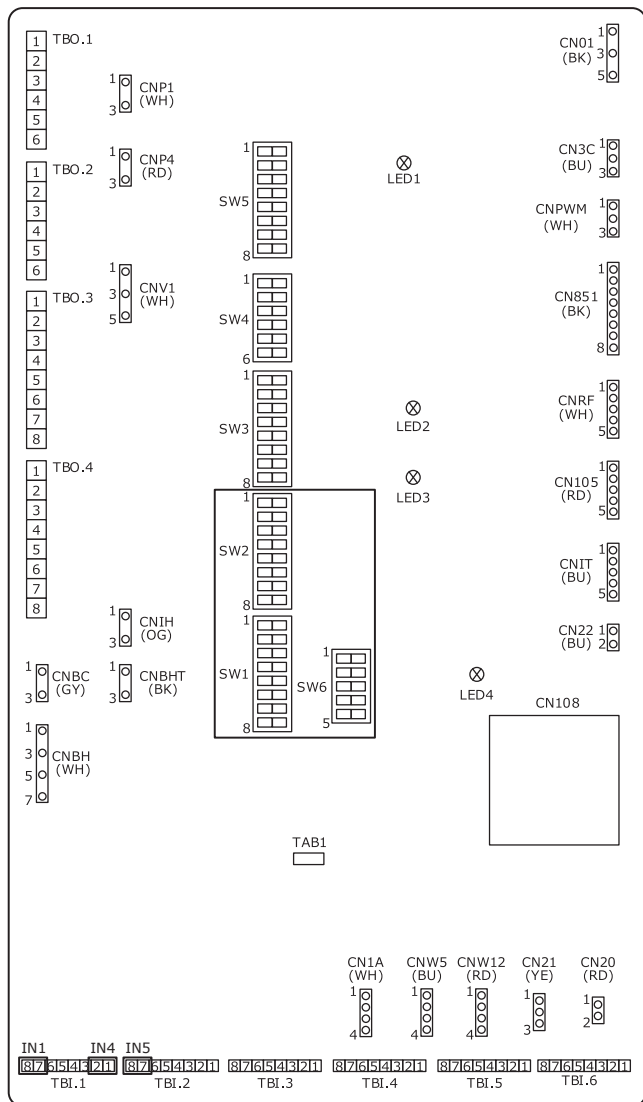
Svakako izbjegavajte nedostupan raspon tijekom odmrzavanja.

Inače, vanjska jedinica se nije dovoljno odmrznula i/ili se izmjenjivač topline unutarnje jedinice može smrznuti.

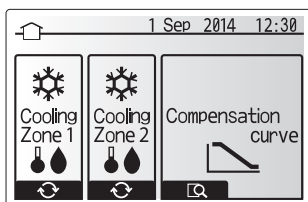
## 9. Ispumpavanje

Prilikom preseljenja ili odlaganja vanjske jedinice, ispumpajte sustav prema dolje navedenom postupku, tako da se rashladno sredstvo ne ispušta u atmosferu.

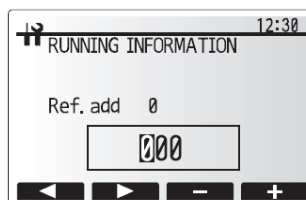
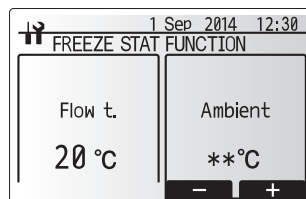
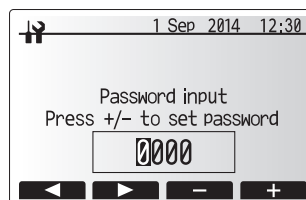
- ① Isključite sve krugove napajanja (uključujući unutarnju jedinicu, grijač, vanjsku jedinicu itd.)
- ② Spojite razdjelni ventil s manometrom na servisni priključak zapornog ventila na strani plinske cijevi vanjske jedinice.
- ③ Potpuno zatvorite zaporni ventil na strani cijevi za tekućinu na vanjskoj jedinici.
- ④ Promijenite postavke unutarnje jedinice.
  - DIP sklopku postavite na sljedeći način: SW1-3 na OFF (Isključi), SW2-1 na OFF (Isključi), SW2-4 na ON (Uključi) i SW6-3 na OFF (Isključi) na unutarnjoj upravljačkoj ploči.
  - Odvojite ulaze signala IN1 (ulaz za sobni termostat 1), IN4 (ulaz za kontrolu potražnje) i IN5 (ulaz za vanjski termostat).



- ⑤ Uključite sve krugove napajanja.
- ⑥ Na glavnom izborniku glavnog upravljača unutarnje jedinice odaberite „Heating/cooling mode“ (Način rada za grijanje/hlađenje) → „Cooling flow temp.“ (Temperatura rashladne struje).



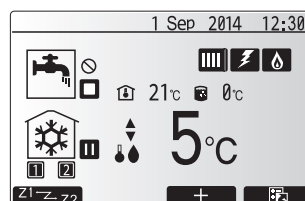
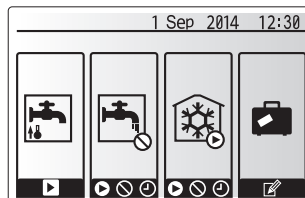
- ⑦ Na glavnom izborniku odaberite „Service“ (Servis) i promijenite postavku kao u nastavku. Od vas će se zatražiti da unesete lozinku. TVORNIČKI ZADANA LOZINKA je „0000“.
  - Odaberite „Operation settings“ (Postavke rada) → „Freeze stat function“ (Funkcija stanja zamrzavanja), a zatim postavite minimalnu vanjsku temperaturu okoline na \*(zvezdica).
  - Odaberite „Running information“ (Informacije o pokretanju), a zatim postavite Referentnu adresu na 351.



- ⑧ Provedite postupak za prikupljanje rashladnog sredstva.
  - Pritisnite gumb „ON/OFF“ (Uključi/Isključi) na glavnom upravljaču.
  - Na izborniku s opcijama postavite „Cooling ON“ (Hlađenje uključeno).
  - Postavite željenu temperaturu zračne struje na 5 °C. Ako sustavom upravlja termostat za sobnu temperaturu, postavite željenu temperaturu u sobi na 10 °C.

Postupak prikupljanja rashladnog sredstva će započeti za 60 sekundi.

  - Pojednosti ili druge podatke o postavkama glavnog kontrolera pogledajte priručnik za ugradnju ili priručnik za rukovanje za unutarnju jedinicu.



Nastavak na sljedećoj stranici.

## 9. Ispumpavanje

- ⑨ Potpuno zatvorite zaporni ventil na strani cijevi za plin vanjske jedinice kada manometar pokazuje od 0,05 do 0 MPa [manometar] (pribl. od 0,5 do 0 kgf/cm<sup>2</sup>) i brzo zaustavite vanjsku jedinicu.
- Pritisnite gumb „ON/OFF“ (Uključi/Isključi) na daljinskom upravljaču da biste zaustavili vanjsku jedinicu.
  - \* Napominjemo sljedeće: kada su cijevi za proširenje izrazito duge i imaju veliku količinu rashladnog sredstva, možda neće biti moguće izvesti postupak ispumpavanja. U tom slučaju upotrijebite opremu za prikupljanje rashladnog sredstva da biste skupili svu količinu rashladnog sredstva.
- ⑩ Vratite postavku glavnog upravljača koju ste promijenili u gornjem postupku ⑨.
- ⑪ Držite pritisnutim gumb „ON/OFF“ (Uključi/Isključi) oko 3 sekunde na glavnom upravljaču unutarnje jedinice kako biste zaustavili rad jedinice.
- ⑫ Vratite postavke glavnog upravljača koje su se promijenile u bilo kojem postupku osim ⑨.
- \* Kako vratiti „Running information“ (Informacije o pokretanju): Postavite Referentnu adresu na 350.
- ⑬ Isključite sve krugove za električno napajanje i vratite postavke DIP sklopke na tiskanoj pločici sustava unutarnje jedinice na stare vrijednosti.
- ⑭ Uklonite ventil kolektora mjerača i zatim odvojite cijevi s rashladnim sredstvom.



### UPOZORENJE:

Kada rashladni krug procuri, **NEMOJTE** izvoditi ispumpavanje kompresorom. Prilikom crpljenja rashladnog sredstva, zaustavite kompresor prije odspajanja cijevi za rashladno sredstvo.

- Ako se cijevi rashladnog sredstva isključe dok kompresor radi, a zaporni ventil (kuglični ventil) je otvoren, tlak u rashladnom ciklusu mogao bi se jako povisiti ako uđe zrak te prouzročiti pucanje cijevi, ozljede itd.



### OPREZ:

**NEMOJTE** koristiti ovaj način HLAĐENJA kada se spajate na unutarnju jedinicu koja ne dopušta način HLAĐENJA u bilo koju drugu svrhu osim za crpljenje.

## 10. Specifikacije

Vanjski model		SUZ-SWM30VA	SUZ-SHWM30VAH	SUZ-SWM40VA2	SUZ-SHWM40VAH	SUZ-SWM60VA2
Električno napajanje	V / Broj faza / Hz	230 / jedna / 50				
Dimenzije (Š x V x D)	mm	800 x 714 x 285				
Razina zvučne snage (grijanje)	*1 dB(A)	57	57	57	58	60
	*2 dB(A)	54	54	54	55	56

Vanjski model		SUZ-SHWM60VAH	SUZ-SWM80VA(H)2	SUZ-SWM100VA(H)
Električno napajanje	V / Broj faza / Hz	230 / jedna / 50		
Dimenzije (Š x V x D)	mm	840 x 880 x 330		
Razina zvučne snage (grijanje)	*1 dB(A)	60	60	62
	*2 dB(A)	58	59	60

\*1. Izmjereno pod nazivnom radnom frekvencijom na temperaturi okoline od 7 °C DB/6 °C WB i izlaznoj temperaturi vode od 55 °C

\*2. Mjereno sukladno EN12102 pod uvjetima EN14825

EU DECLARATION OF CONFORMITY  
EU-KONFORMITÄTSEKTLÄRUNG  
DÉCLARATION DE CONFORMITÉ UE  
EU-CONFORMITEITSVERKLARING  
DECLARACIÓN DE CONFORMIDAD UE  
DICHIARAZIONE DI CONFORMITÀ UE  
ΔΗΛΩΣΗ ΣΥΜΜΟΡΦΩΣΗΣ ΕΕ  
DECLARAÇÃO DE CONFORMIDADE UE  
EU-OVERENSSTEMMELSESEKTLÆRING

EG-DEKLARATION OM ÖVERENSSTÄMMELSE  
AV UYGUNLUK BEYAN  
ДЕКЛАРАЦИЯ СООТВЕТСТВИЯ НОРМАМ ЕС  
ДЕКЛАРАЦІЯ ВІДПОВІДНОСТІ ВИМОГАМ ЄС  
ЕС ДЕКЛАРАЦІЯ ЗА СЪОТВЕТСТВИЕ  
DEKLARACJA ZGODNOŚCI UE  
EU-ERKLÆRING OM SAMSVAR  
EU-VAATIMUSTENMUKAISUUSVAKUUTUS  
EU PROHLÁŠENÍ O SHODĚ

EÚ VYHLÁŠENIE O ZHODE  
EU MEGFELELŐSÉGI NYILATKOZAT  
IZJAVA EU O SKLADNOSTI  
DECLARAȚIE DE CONFORMITATE UE  
EL-I VASTAVUSDEKLARATSIOON  
ES ATBILSTĪBAS DEKLARĀCIJA  
ES ATITIKTIES DEKLARACIJA  
EU IZJAVA O SUKLADNOSTI  
EU IZJAVA O USAGLAŠENOSTI

**MITSUBISHI ELECTRIC CONSUMER PRODUCTS (THAILAND) CO., LTD**  
**700/406 MOO 7, TAMBON DON HUA ROH, AMPHUR MUANG, CHONBURI 20000, THAILAND**

hereby declares under its sole responsibility that the air conditioner(s) and heat pump(s) for use in residential, commercial, and light-industrial environments described below:  
erklärt hiermit auf seine alleinige Verantwortung, dass die Klimaanlage(n) und Wärmepumpe(n) für das häusliche, kommerzielle und leichtindustrielle Umfeld wie unten beschrieben:  
déclare par la présente et sous sa propre responsabilité que le(s) climatiseur(s) et la/les pompe(s) à chaleur destinés à un usage dans des environnements résidentiels, commerciaux et d'industrie légère décrits ci-dessous :  
verklaart hierbij onder eigen verantwoordelijkheid dat de voor huishoudelijke, handels- en lichtindustriële omgevingen bestemde airconditioner(s) en warmtepomp(en) zoals onderstaand beschreven:

por la presente declara, bajo su exclusiva responsabilidad, que el(los) acondicionador(es) de aire y la(s) bomba(s) de calor previsto(s) para su uso en entornos residenciales, comerciales y de industria ligera que se describen a continuación:

conferma con la presente, sotto la sua esclusiva responsabilità, che i condizionatori d'aria e le pompe di calore destinati all'utilizzo in ambienti residenziali, commerciali e semi-industriali e descritti di seguito:

με το παρόν δηλώνει με αποκλειστική ευθύνη ότι το ή τα κλιματιστικά και η ή οι αντλίες θερμότητας για χρήση σε οικιακά, εμπορικά και επαγγελματικά περιβάλλοντα που περιγράφονται παρακάτω:

declara pela presente, e sob sua exclusiva responsabilidade, que o(s) aparelho(s) de ar condicionado e a(s) bomba(s) de calor destinados a utilização em ambientes residenciais, comerciais e de indústria ligeira descritos em seguida:

erklærer hermed under eneansvar, at det/de herunder beskrevne airconditionanlæg og varmepumpe(r) til brug i beboelses- og erhvervs miljøer samt i miljøer med let industri:

intyggar härmed att luftkonditioneringarna och värmepumparna som beskrivs nedan för användning i bostäder, kommersiella miljöer och lätta industriella miljöer:

ev, ticaret ve hafif sanayi ortamlarında kullanıma yönelik aşağıda açıklanan klima ve ısıtma pompalarıyla ilgili aşağıdaki hususları yalnızca kendi sorumluluğunda olmak üzere beyan eder:

настоящим заявляет под свою исключительную ответственность, что кондиционер (-ы) и тепловой (-ые) насос (-ы) для использования в описанных ниже жилых, коммерческих и небольших складских и промышленных помещениях:

цим заявляю, беручи на себе повну відповідальність за це, що кондиціонер (-и) й тепловий (-и) насос (-и), описані нижче й призначені для використання в житлових приміщеннях, торговельних залах і на підприємствах легкої промисловості:

декларира с настоящата на своя собствена отговорност, че климатикъ(т)е и термомпата(ите), посочени по-долу и предназначени за употреба в жилищни, търговски и лекопромишлени среди:

niniejszym oświadczam na swoją wyłączną odpowiedzialność, że klimatyzatory i pompy ciepła do zastosowań w środowisku mieszkalnym, handlowym i lekko przemysłowym opisane poniżej:

erklærer et fullstendig ansvar for undernevnte klimaapparat og varmepumper ved bruk i boliger, samt kommersielle og lettindustrielle miljøer:

vakuuttaa täten yksinomaista vastuutaan, että jäljempänä kuvutat asuinrakennuksiin, pienteeollisuuskäyttöön ja kaupalliseen käyttöön tarkoitettuihin ilmastointilaitteisiin ja lämpöpumpuihin:

tímto na vlastní odpovědnost prohlašuje, že níže popsané klimatizační jednotky a tepelná čerpadla pro použití v obytných prostředích, komerčních prostředích a prostředích lehkého průmyslu:

týmto na svoju výlučnú zodpovednosť vyhlasuje, že nasledovné klimatizačné jednotky a tepelné čerpadlá určené na používanie v obytných a obchodných priestoroch a v prostredí ľahkého priemyslu:

alulírott kizárólagos felelősségére nyilatkozik, hogy az alábbi lakossági, kereskedelmi és kisipari környezetben való használatra szánt klímaberendezés(ek) és hőszivattyú(k):

na lastno odgovornost izjavlja, da so spodaj opisane klimatske naprave in toplotne črpalke, namenjene za uporabo v stanovanjskih, poslovnih in lahkoindustrijskih okoljih:

declară prin prezenta, pe proprie răspundere, faptul că aparatele de climatizare și pompele de căldură descrise mai jos și destinate utilizării în medii rezidențiale, comerciale și din industria ușoară:

kinnitab oma ainuvastutust, et allpool toodud elu-, äri- ja kergtööstuskeskkondades kasutamiseks mõeldud kliimaseadmed ja soojuspumbad:

ar šo, vienpersoniski uzņemoties atbildību, paziņo, ka tālāk aprakstītais(-tie) gaisa kondicionētājs(-i) un siltumsūkņis(-i) ir paredzēti lietošanai dzīvojamajās, komercdarbības un vieglās rūpniecības telpās, kas aprakstītas tālāk:

šiuo vien tik savo atsakomybe pareiškia, kad toliau apibūdintas (-i) oro kondicionierius (-iai) ir šilumos siurblys (-iai), skirtas (-i) naudoti toliau apibūdintose gyvenamosiose, komercinėse ir lengvosios pramonės aplinkose:

ovime izjavljuje pod isključivom odgovornošću da je/su klimatizacijski uređaji(i) i toplinska dizalica(e) opisan(i) u nastavku namijenjen(i) za upotrebu u stambenim i poslovnim okruženjima te okruženjima lake industrije:

ovim izjavljuje na svoju isključivu odgovornost da su klima-uređaji i toplotne pumpe za upotrebu u stambenim, komercijalnim okruženjima i okruženjima lake industrije opisani u nastavku:

**MITSUBISHI ELECTRIC, SUZ-SWM30VA\*, SUZ-SWM40VA\*, SUZ-SWM60VA\*, SUZ-SWM80VA\*, SUZ-SWM100VA\***  
**SUZ-SHWM30VAH\*, SUZ-SHWM40VAH\*, SUZ-SHWM60VAH\*, SUZ-SWM80VAH\*, SUZ-SWM100VAH\***  
**\* : , , 1, 2, 3, , , , 9**

is/are in conformity with provisions of the following Union harmonisation legislation.  
die Bestimmungen der folgenden Harmonisierungsrechtsvorschriften der Union erfüllen/

erfüllen.  
est/sont conforme(s) aux dispositions de la législation d'harmonisation de l'Union

suivante.  
voldoet/voldoen aan bepalingen van de volgende harmonisatiewetgeving van de Unie.

cumple(n) con las disposiciones de la siguiente legislación de armonización de la Unión.

sono in conformità con le disposizioni della seguente normativa dell'Unione sull'armonizzazione.

συμμορφώνονται με τις διατάξεις της ακόλουθης νομοθεσίας εναρμόνισης της Ένωσης.

está/estão em conformidade com as disposições da seguinte legislação de harmonização da União.

er i overensstemmelse med bestemmelse i følgende harmoniserede EU-lovgivning.

uppfyller villkoren i följande harmoniserade föreskrifter inom unionen.

აşağıdaki Avrupa Birliği uyumlaştırma mevzuatının hükümlerine uygundur.

соответствуют положениям следующих законодательных актов Союза о гармонизации.

2014/35/EU: Low Voltage Directive  
2006/42/EC: Machinery Directive  
2014/30/EU: Electromagnetic Compatibility Directive  
2011/65/EU, (EU) 2015/863 and (EU) 2017/2102: RoHS Directive  
2009/125/EC: Energy-related Products Directive and Regulation (EU) No 813/2013

відповідають положенням вказаного далі законодавства Союзу щодо гармонізації.  
е/са в соответствии с разпредбите на следното законодателство на Съюза за

армонизация.  
są zgodne z przepisami następującego unijnego prawodawstwa harmonizacyjnego.

er i samsvar med forskriftene til følgende EU-lovgivning om harmonisering.

ovat seuraavan unionin yhdenmukaistamislainsäädännön säännösten mukaisia.

jsou v souladu s ustanoveními následujících harmonizačních právních předpisů Unie.

splňají ustanovenia nasledujúcich harmonizovaných noriem EÚ.

megfelel(nek) az Unió alábbi harmonizációs jogszabályi előírásainak.

v skladu z določbami naslednje usklajevalne zakonodaje Unije.

sunt în conformitate cu dispozițiile următoare legislații de armonizare a Uniunii.

atbilst šādiem ES harmonizētajiem tiesību aktu noteikumiem.

taip pat atitinka kitų toliau išvardytų suderintųjų Sąjungos direktyvų nuostatas.

sukladan(i) odredbama sljedećeg zakonodavstva Unije za sukladnost.

u skladu sa odredbama sledećeg usklađivanja zakonodavstva Unije.

Issued: 1 Apr. 2022

THAILAND

Tadashi SAITO

Manager, Quality Assurance Department

## <ENGLISH>

English is original. The other languages versions are translation of the original.

### ▲ CAUTION

- Refrigerant leakage may cause suffocation. Provide ventilation in accordance with EN378-1.
- Be sure to wrap insulation around the piping. Direct contact with the bare piping may result in burns or frostbite.
- Never put batteries in your mouth for any reason to avoid accidental ingestion.
- Battery ingestion may cause choking and/or poisoning.
- Install the unit on a rigid structure to prevent excessive operation sound or vibration.
- The A-weighted sound pressure level is below 70dB.
- This appliance is intended to be used by expert or trained users in shops, in light industry and on farms, or for commercial use by lay persons.

## <DEUTSCH>

Das Original ist in Englisch. Die anderen Sprachversionen sind vom Original übersetzt.

### ▲ VORSICHT

- Wenn Kältemittel austritt, kann dies zu Ersticken führen. Sorgen Sie in Übereinstimmung mit EN378-1 für Durchlüftung.
- Die Leitungen müssen isoliert werden. Direkter Kontakt mit nicht isolierten Leitungen kann zu Verbrennungen oder Erfrierungen führen.
- Nehmen Sie niemals Batterien in den Mund, um ein versehentliches Verschlucken zu vermeiden.
- Durch das Verschlucken von Batterien kann es zu Erstickungen und/oder Vergiftungen kommen.
- Installieren Sie das Gerät auf einem stabilen Untergrund, um übermäßige Betriebsgeräusche oder -schwingungen zu vermeiden.
- Der A-gewichtete Schalldruckpegel ist niedriger als 70dB.
- Dieses Gerät ist vorgesehen für die Nutzung durch Fachleute oder geschultes Personal in Werkstätten, in der Leichtindustrie und in landwirtschaftlichen Betrieben oder für die kommerzielle Nutzung durch Laien.

## <FRANÇAIS>

L'anglais est l'original. Les versions fournies dans d'autres langues sont des traductions de l'original.

### ▲ PRECAUTION

- Une fuite de réfrigérant peut entraîner une asphyxie. Fournissez une ventilation adéquate en accord avec la norme EN378-1.
- Assurez-vous que la tuyauterie est enveloppée d'isolant. Un contact direct avec la tuyauterie nue peut entraîner des brûlures ou des engelures.
- Ne mettez jamais des piles dans la bouche pour quelque raison que ce soit pour éviter de les avaler par accident.
- Le fait d'ingérer des piles peut entraîner un étouffement et/ou un empoisonnement.
- Installez l'appareil sur une structure rigide pour prévenir un bruit de fonctionnement et une vibration excessifs.
- Le niveau de pression acoustique pondéré est en dessous de 70 dB.
- Cet appareil est conçu pour un utilisateur expert ou les utilisateurs formés en magasin, dans l'industrie légère et dans l'agriculture ou dans le commerce par le profane.

## <NEDERLANDS>

Het Engels is het origineel. De andere taalversies zijn vertalingen van het origineel.

### ▲ VOORZICHTIG

- Het lekken van koelvoelstof kan verstikking veroorzaken. Zorg voor ventilatie in overeenstemming met EN378-1.
- Isoleer de leidingen met isolatiemateriaal. Direct contact met de onbedekte leidingen kan leiden tot brandwonden of bevriezing.
- Stop nooit batterijen in uw mond om inslikking te voorkomen.
- Het inslikken van batterijen kan verstikking of vergiftiging veroorzaken.
- Installeer het apparaat op een stabiele structuur om overmatig lawaai of trillingen te voorkomen.
- Het niveau van de geluidsdruk ligt onder 70 dB(A).
- Dit apparaat is bedoeld voor gebruik door ervaren of opgeleide gebruikers in werkplaatsen, in de lichte industrie en op boerderijen, of voor commercieel gebruik door leken.

## <ESPAÑOL>

El idioma original del documento es el inglés. Las versiones en los demás idiomas son traducciones del original.

### ▲ CUIDADO

- Las pérdidas de refrigerante pueden causar asfixia. Se debe proporcionar la ventilación determinada en EN378-1.
- Asegúrese de colocar el aislante alrededor de las tuberías. El contacto directo con la tubería puede ocasionar quemaduras o congelación.
- Para evitar una ingestión accidental, no coloque las pilas en su boca bajo ningún concepto.
- La ingestión de las pilas puede causar asfixia y/o envenenamiento.
- Coloque la unidad en una estructura rígida para evitar que se produzcan sonidos o vibraciones excesivos debidos a su funcionamiento.
- El nivel de presión acústica ponderado A es inferior a 70 dB.
- Este aparato está destinado a su uso por parte de usuarios expertos o capacitados en talleres, industrias ligeras y granjas, o a su uso comercial por parte de personas no expertas.

## <ITALIANO>

Il testo originale è redatto in lingua Inglese. Le altre versioni linguistiche rappresentano traduzioni dell'originale.

### ▲ ATTENZIONE

- Le perdite di refrigerante possono causare asfissia. Prevedere una ventilazione adeguata in conformità con la norma EN378-1.
- Accertarsi di applicare materiale isolante intorno alle tubature. Il contatto diretto con le tubature non schermate può provocare ustioni o congelamento.
- Non introdurre in nessun caso le batterie in bocca onde evitare ingestioni accidentali.
- L'ingestione delle batterie può provocare soffocamento e/o avvelenamento.
- Installare l'unità su una struttura rigida in modo da evitare rumore o vibrazioni eccessivi durante il funzionamento.
- Il livello di pressione del suono ponderato A è inferiore a 70dB.
- Questa apparecchiatura è destinata all'utilizzo da parte di utenti esperti o addestrati in negozi, industria leggera o fattorie oppure a un uso commerciale da parte di persone non esperte.

## <ΕΛΛΗΝΙΚΑ>

Η γλώσσα του πρωτοτύπου είναι η αγγλική. Οι εκδόσεις άλλων γλωσσών είναι μεταφράσεις του πρωτοτύπου.

### ▲ ΠΡΟΣΟΧΗ

- Η διαρροή του ψυκτικού ενδέχεται να προκαλέσει ασφυξία. Φροντίστε για τον εξαερισμό σύμφωνα με το πρότυπο EN378-1.
- Φροντίστε να τυλίξετε με μονωτικό υλικό τη σωλήνωση. Η απευθείας επαφή με τη γυμνή σωλήνωση ενδέχεται να προκαλέσει εγκαυμάτα ή κρυοπαγήματα.
- Μη βάζετε ποτέ τις μπαταρίες στο στόμα σας για κανένα λόγο ώστε να αποφύγετε την κατά λάθος κατάποσή τους.
- Η κατάποση μπαταριών μπορεί να προκαλέσει πνιγμό ή/και δηλητηρίαση.
- Εγκαταστήστε τη μονάδα σε σταθερή κατασκευή ώστε να αποφύγετε τον έντονο ήχο λειτουργίας ή τους κραδασμούς.
- Η Α-σταθμισμένη στάθμη ηχητικής πίεσης είναι κάτω των 70dB.
- Η Α-σταθμισμένη στάθμη ηχητικής πίεσης είναι κάτω των 70dB.
- Η συσκευή αυτή προορίζεται για χρήση από εμπειρογούς ή εκπαιδευμένους χρήστες σε καταστήματα, στην ελαφριά βιομηχανία και σε αγροκτήματα, ή για εμπορική χρήση από άτομα τα οποία δεν είναι ειδήμονες.

## <PORTUGUÊS>

O idioma original é o inglês. As versões em outros idiomas são traduções do idioma original.

### ▲ CUIDADO

- A fuga de refrigerante pode causar asfixia. Garanta a ventilação em conformidade com a norma EN378-1.
- Certifique-se de que envolve as tubagens com material de isolamento. O contacto directo com tubagens não isoladas pode resultar em queimaduras ou ulcerações provocadas pelo frio.
- Nunca coloque pilhas na boca, por nenhum motivo, para evitar a ingestão accidental.
- A ingestão de uma pilha pode causar obstrução das vias respiratórias e/ou envenenamento.
- Instale a unidade numa estrutura robusta, de forma a evitar ruídos ou vibrações excessivos durante o funcionamento.
- O nível de pressão sonora ponderado A é inferior a 70 dB.
- Este equipamento destina-se a ser utilizado por especialistas ou utilizadores com formação em lojas, na indústria ligeira e em quintas, ou para utilização comercial por leigos.

## <DANSK>

Engels er originalen. De andre sprogversioner er oversættelser af originalen.

### ▲ FORSIGTIG

- Lækage af kølemiddel kan forårsage kvælning. Sørg for udluftning i overensstemmelse med EN378-1.
- Sørg for at pakke rørene ind i isolering. Direkte kontakt med ubeklædte rør kan forårsage forbrændinger eller forfrysninger.
- Batterier må under ingen omstændigheder tages i munden for at forhindre utilsigtet indtagelse.
- Indtagelse af batterier kan forårsage kvælning og/eller forgiftning.
- Installer enheden på en fast struktur for at forhindre for høje driftslyde eller vibrationer.
- Det A-vægtede lydtrykniveau er under 70dB.
- Dette apparat er beregnet til at blive brugt af eksperter eller udlærte brugere i butikker, inden for let industri og på gårde eller til kommerciel anvendelse af lægmænd.

## <SVENSKA>

Engelska är originalspråket. De övriga språkversionerna är översättningar av originalet.

### ▲ FÖRSIKTIGHET

- Köldmedelsläckage kan leda till kvävning. Tillhandahåll ventilation i enlighet med EN378-1.
- Kom ihåg att linda isolering runt rören. Direktkontakt med bara rör kan leda till brännskador eller köldskador.
- Stoppa aldrig batterier i munnen, de kan sväljas av misstag.
- Om ett batteri sväljs kan det leda till kvävning och/eller förgiftning.
- Montera enheten på ett stadigt underlag för att förhindra höga driftljud och vibrationer.
- Den A-vägdade ljudtrycksnivån är under 70dB.
- Denna apparat är ämnad för användning av experter eller utbildade användare i affärer, inom lätt industri och på lanbruk, eller för kommersiell användning av lekmän.

## <TÜRKÇE>

Aslı İngilizce'dir. Diğer dillerdeki sürümler aslının çevirisidir.

### ▲ DİKKAT

- Soğutucu kaçağı boğulmaya neden olabilir. EN378-1 uyarınca uygun havalandırma sağlayın.
- Borular etrafına yalıtım yapıldığından emin olun. Borulara doğrudan çıplak elle dokunulması yanıklara veya soğuk ısırıklarına neden olabilir.
- Kazara yutmamak için, pilleri kesinlikle hiçbir amaçla ağzınızda tutmayın.
- Pillerin yutulması boğulmaya ve/veya zehirlenmeye yol açabilir.
- Aşırı çalıma seslerini veya titreşimi önlemek için, üniteyi sağlam bir yapı üzerine monte edin.
- A ağırıklı ses gücü seviyesi 70dB'nin altındadır.
- Bu cihaz tıbbilerde, hafif endüstriyel tesislerde ve çiftliklerde uzman veya eğitimli kullanıcılar tarafından kullanılmak üzere veya normal kullanıcılar tarafından ticari kullanım için tasarlanmıştır.

## <РУССКИЙ>

Языком оригинала является английский. Версии на других языках являются переводом оригинала.

### ▲ ОСТОРОЖНО

- Утечка хладагента может стать причиной удушья. Обеспечьте вентиляцию в соответствии с EN378-1.
- Обязательно оберните трубы изоляционным материалом. Непосредственный контакт с неизолированным трубопроводом может привести к ожогам или обморожению.
- Запрещается класть элементы питания в рот по каким бы то ни было причинам во избежание случайного проглатывания.
- Попадание элемента питания в пищеварительную систему может стать причиной удушья и/или отравления.
- Устанавливайте устройство на жесткую структуру во избежание чрезмерного шума или чрезмерной вибрации во время работы.
- Уровень звукового давления по шкале A не превышает 70 дБ.
- Данное устройство предназначено для использования специалистами или обученным персоналом в магазинах, на предприятиях легкой промышленности и фермах или для коммерческого применения неспециалистами.

## <УКРАЇНСЬКА>

Переклад оригіналу. Текст іншими мовами є перекладом оригіналу.

### ▲ ОБЕРЕЖНО

- Виток холодоагенту може призвести до удушся. Необхідно забезпечити вентиляцію відповідно до стандарту EN 378-1.
- Труби необхідно обмотати ізоляційним матеріалом. Прямий контакт із непокритою трубою може призвести до опіку або обмороження.
- Забороняється класти елементи живлення в рот із будь-яких причин, оскільки є ризик випадково їх проковтнути.
- Попадання елемента живлення в травну систему може стати причиною задхуки та/або отруєння.
- Встановлюйте блок на міцній конструкції, щоб уникнути надмірного рівня звуку роботи або вібрації.
- Рівень амплітудно зваженого акустичного тиску становить нижче 70 дБ.
- Цей прилад призначається для використання спеціалістами або особами, що пройшли відповідне навчання, у кранницях, легкій промисловості та сільськогосподарських підприємствах, а також для комерційного використання неспеціалістами.

## <БЪЛГАРСКИ>

Оригиналът е текстът на английски език. Версиите на други езици са преводи от оригинала.

### ▲ ВНИМАНИЕ

- Изтичането на хладилен агент може да причини задушаване. Осигурете вентилация съобразно с EN378-1.
- Не забравяйте да уветите изолация около тръбите. Директният контакт с оголени тръби може да причини изгаряне или измръзване.
- При никакви обстоятелства не поставяйте батериите в устата си, за да не ги поглънете по невнимание.
- Това може да доведе до задушаване и/или натравяне.
- Монтирайте тялото върху твърда конструкция, за да предотвратите прекомерен шум или вибрации по време на работа.
- А-претегленото ниво на звуково налягане е под 70 dB.
- Този уред е предназначен за използване от експерти или обучени потребители в магазини, в леката промисленост и във ферми, или за търговска употреба от неспециалисти.

## <POLSKI>

Językiem oryginalu jest język angielski. Inne wersje językowe stanowią tłumaczenie oryginalu.

### ▲ UWAGA

- Wyciek czynnika chłodniczego może spowodować uduszenie. Należy zapewnić wentylację zgodnie z normą EN378-1.
- Należy pamiętać, aby owinąć izolację wokół przewodów rurowych. Bezpośredni kontakt z niezabezpieczonymi przewodami rurowymi może doprowadzić do poparzeń lub odmrożeń.
- Nie wolno wkładać baterii do ust z jakiegokolwiek powodu, aby uniknąć przypadkowego połknięcia.
- Połknięcie baterii może spowodować zadławienie i/lub zatrucie.
- Zainstalować urządzenie na sztywnej konstrukcji, aby zapobiec nadmieremu hałasowi i wibracjom.
- Poziom dźwięku A nie przekracza 70 dB.
- W sklepach, w przemyśle lekkim i w gospodarstwach rolnych urządzenie powinni obsługiwać profesjonalni lub przeszkoleni użytkownicy, a w środowisku handlowym mogą to być osoby nieposiadające fachowej wiedzy.

## <NORSK>

Originalspråket er engelsk. De andre språkversjonene er oversettelser av originalen.

### ▲ FORSIKTIG

- Kjøllemiddellekkasje kan forårsake kvelning. Sørg for ventilering i samsvar med EN378-1.
- Pass på at isoleringen pakkes godt rundt røret. Direkte kontakt med ukledte rør kan forårsake brannskader eller førtrysninger.
- Aldri plasser batteri i munnen, da dette kan medføre en risiko for at du svelger batteriet ved et uhell.
- Hvis du svelger et batteri, kan du risikere kvelning og/eller forgiftning.
- Installer enheten på en stabil struktur for å forhindre uønsket mye driftsstøy eller vibrering.
- Det A-vektede lydtryknivået er under 70 dB.
- Dette apparatet er ment for bruk av eksperter eller faglært personell i butikker, lettindustri og på gårder, eller for kommersielt bruk av ikke-fagmenn.

## <SUOMI>

Englanti on alkuperäinen. Muut kieliversiot ovat alkuperäiskappaleen käännöksiä.

### ▲ HUOMIO

- Vuotava kylmäaine voi aiheuttaa tukehtumisen. Ilmanvaihdon on oltava EN378-1-standardin mukainen.
- Käähän putken ympärille eristysmateriaalia. Paljaan putken koskettamisesta voi seurata palotai paleltumavammoja.
- Älä koskaan laita paristoja suuhun, jotta et vahingossa nielaisisi niitä.
- Paristojen nieleminen voi aiheuttaa tukehtumisen ja/tai myrkytyksen.
- Asenna yksikkö tukeviin rakenteisiin, jotta sen käyttöstä ei syntyisi ylimääräistä ääntä tai värinää.
- A-painotettu äänenpainetaso on alle 70 dB.
- Laite on tarkoitettu asiantuntijoiden tai laitteelle koulutuksen saaneiden käyttöön kaupossa, pienteollisuudessa ja maataloilta tai maaliikille kaupalliseen käyttöön.

## <ČEŠTINA>

Originál je v angličtině. Ostatní jazykové verze jsou překladem originálu.

### ▲ POZOR

- Únik chladicího média může způsobit udusení. Zajistěte větrání v souladu s normou EN 378-1.
- Okolo potrubí vždy omotejte izolací. Přímý kontakt s obnaženým potrubím může způsobit popálení nebo omrzliny.
- Nikdy nevklaďte baterie do úst, aby nedošlo k jejich poškození.
- Poškození baterie může způsobit zadušení a/nebo otrávení.
- Jednotku nainstalujte na pevnou konstrukci, aby nedocházelo ke vzniku nadměrného provozního hluku a vibrací.
- Hladina akustického tlaku A je nižší než 70 dB.
- Toto zařízení je určeno pro prodejny, lehký průmysl a farmy, kde je musí obsluhovat odborníci a školení uživatelé, a pro komerční použití, kde je mohou obsluhovat laici.

## <SLOVENČINA>

Překlad anglického originálu. Všetky jazykové verzie sú preložené z angličtiny.

### ▲ UPOZORNENIE

- Únik chladiva môže spôsobiť udusenie. Zabezpečte vetranie podľa normy EN 378-1.
- Nezabudnite potrubie obaliť izoláciou. Priamy kontakt s nezabaleným potrubím môže spôsobiť popáleniny alebo omrzliny.
- Batérie si nikdy z akéhokoľvek dôvodu nekladte do úst, aby nedošlo k ich náhodnému poškodeniu.
- Poškodenie batérií môže vyvolať dusenie a/alebo otrávenie.
- Nainštalujte jednotku na pevný konštrukčný prvok, aby ste obmedzili nadmerný prevádzkový hluk a vibrácie.
- Hladina akustického tlaku A je nižšia ako 70 dB.
- Toto zariadenie je určené na používanie odborníkmi alebo zaškolenými používateľmi v komerčných priestoroch, v prostredí ľahkého priemyslu, na farmách, alebo na komerčné použitie bežnými používateľmi.

## <MAGYAR>

Az angol változat az eredeti. A többi nyelvi változat az eredeti fordítása.

### ▲ VIGYÁZAT

- A hűtőközeg szivárgása fulladást okozhat. Gondoskodjon az EN378-1 szabvány elírásai szerinti szellőztetésről.
- Feltétlenül szigetelje körbe a csöveket. A csupaszcso megérintése égési vagy fagyási sérülést okozhat.
- Ne vegyen a szájába elemet semmilyen célból, mert véletlenül lenyelheti!
- A lenyeltelem fulladást és/vagy mérgezést okozhat.
- A készüléket merev szerkezetre szerelje fel, hogy megakadályozza a túlzott üzemi zajt és vibrációt.
- Az A-súlyozott hangnyomásszint 70 dB alatt van.
- A készülék üzletek, a könnyűipar és gazdaságok szakértői vagy képzett felhasználói, valamint laikus felhasználók általi kereskedelmi használatra készült.

## <SLOVENŠČINA>

Izvirnik je v angleščini. Druge jezikovne različice so prevodi izvirnika.

### ▲ POZOR

- Puščanje hladiva lahko povzroči zadušitev. Zagotovite prezračevanje po standardu EN378-1.
- Cevi ovijte z izolacijo. Neposredni stik z golimi cevmi lahko povzroči opekline ali ozeblina.
- Nikoli in iz nobenega razloga ne vstavljajte baterij v usta, da jih po nesreči ne pogoltnete.
- Če baterije pogoltnete, se lahko zadušite in/ali zastrupite.
- Enoto namestite na togo konstrukcijo, da preprečite pretiran zvok ali tresenje med delovanjem.
- A-utežena raven zvočnega tlaka je pod 70 dB.
- Naprava je namenjena za uporabo s strani strokovnih ali ustrezno usposobljenih uporabnikov v trgovinah, lahki industriji in na kmetijah ter za komercialno uporabo s strani nestrokovnih uporabnikov.

## <ROMÂNĂ>

Textul original este în limba engleză. Versiunile pentru celelalte limbi sunt traduceri ale originalului.

### ▲ ATENȚIE

- Scurgerea de agent frigorific poate cauza asfixierea. Asigurați o ventilație corespunzătoare, conform standardului EN378-1.
- Asigurați-vă că înfășurați materialul izolator în jurul conductelor. Contactul direct cu conductele neizolate se poate solda cu arsuri sau degerături.
- Nu introduceți niciodată și pentru niciun motiv bateriile în gură, pentru a evita ingerarea accidentală a acestora.
- Ingerarea bateriilor poate cauza sufocarea și/sau intoxicația.
- Instalați unitatea pe o structură rigidă pentru a preveni producerea unui nivel excesiv de sunete sau vibrații.
- Nivelul de presiune acustică ponderată în A este mai mic de 70 dB.
- Acest aparat este destinat utilizării de către utilizatori specializați sau instruiți în cadrul spațiilor comerciale, spațiilor din cadrul industriei ușoare și al fermelor sau în scopuri comerciale de către nespecialiști.

## <EESTI>

Originaaljuhend on ingliskeelne. Muudes keeltes versioonid on originaali tõlked.

### ▲ ETTEVAATUST!

- Külmaaine leke võib põhjustada lämbumist. Tuulutamine standardi EN378-1 kohaselt.
- Mähkige torude ümber kindlasti isolatsiooni. Vahetu kontakt paljaste torudega võib põhjustada põletusi või külmakahjustusi.
- Hoiduge patareide tahtmatust allaneelamisest, ärge kunagi pange ühelgi põhjusel patareisid suhu.
- Patarei allaneelamine võib põhjustada lämbumist ja/või mürgitust.
- Paigaldage seade järgale struktuurile, et vältida üleäärast tööheli ja vibreerimist.
- A-filtriiga helirõhu tase on madalam kui 70 dB.
- Seade on mõeldud kasutamiseks asjatundjatele ja väljaõppe läbinud kasutajatele poodides, kergtööstuses ja taludes ning kommertskasutuseks tavaisikute poolt.

## <LATVIŠKI>

Orģināls ir angļu valodā. Versijas citās valodās ir oriģināla tulkojums.

### ▲ UZMANĪBU

- Aukstumaģenta noplūdes gadījumā pastāv nosmakšanas risks. Ir jānodrošina standartam EN378-1 atbilstoša ventilācija.
- Aptiniet caurules ar izolējošu materiālu. Pieskaroties neapitām caurulēm, var gūt apdegumus vai apsaldējumus.
- Aizliegts ievietot baterijas mutē; pastāv norīšanas risks.
- Bateriju norīšana var izraisīt aizrīšanas un/vai saindēšanas.
- Uzstādiet iekārtu uz izturīgas struktūras, lai izvairģtos no pārlģeku liela darbģbas trokģņa vai vibrācijas.
- A — izsvartais skaņas spģdieņa lģmenis ir mazāks par 70 dB.
- Šo iekārtu paredzģts lietot speciālistiem vai apmācģtiem lietotāģiem veģkalos, vieģlģās rūpniecģbas tģpģas un lauksaimniecģbas fermās, kā arī to var lietot nespeciālistģ komercģalām vajadzģbām.

## <LIETUVIŠKAI>

Originalas yra anglų k. Versijos kitomis kalbomis yra originalo vertimas.

### ▲ ATSARGIAI

- Dėl šaltnešio nuotėkio galima uždušėti. Išvėdinkite patalpas pagal EN378-1.
- Būtinai vamzdelius apvyniokite izoliacija. Prisilietus prie plikų vamzdelių galima nusidėginti arba nušalti.
- Siekdami išvėgti atsitiktinio prarģjimo, niekada nedėkite baterijų į burną.
- Prarģjus bateriją galima užspringti ir / arba apsinuodyti.
- Įrenginį sumontuokite ant tvirtos struktūros, kad nesigirdėtų pernelyg didelio veikimo triukģmo ar vibracijos.
- A svertinis garso slėgio lygis nesiekia 70 dB;
- Šis prietaisas skirtas naudoti specialistui ar išmokytiems naudotojams dirbtuvėse, lengvojoje pramonėje arba komercijam naudojimui nespecialistams.

## <HRVATSKI>

Tekst je izvorno napisan na engleskom jeziku. Tekst na ostalim jezicima predstavlja prijevod izvorno napisanog teksta.

### ▲ OPREZ

- Curenje rashladnog sredstva može uzrokovati gušenje. Osigurajte ventilaciju u skladu s normom HR EN378-1.
- Obavezno stavite izolaciju oko položenih cijevi. Izravni doticaj s golim cijevima može dovesti do opekлина ili smrzavanja.
- Nikada ne stavljajte baterije u usta ni zbog kojeg razloga kako biste izbjegli slučajno gutanje.
- Gutanje baterija može prouzročiti gušenje i/ili trovanje.
- Postavite jedinicu na čvrstu strukturu kako biste izbjegli prebučan zvuk tijekom rada ili pojavu vibracija.
- Razina zvučnog tlaka A niža je od 70dB.
- Ovaj uređaj mogu upotrebljavati stručnjaci ili osposobljeni korisnici u trgovinama, lakoj industriji i na poljoprivrednim gospodarstvima ili laici u komercijalne svrhe.

## <SRPSKI>

Prevod originala. Verzije na drugim jezicima su prevodi originala.

### ▲ OPREZ

- Curenje rashladne tečnosti može da dovede do gušenja. Obezbedite ventilaciju u skladu sa EN378-1.
- Obavezno obmotajte izolaciju oko cevi. Direktna kontakt sa golom cevii može izazvati opekotine ili promrzline.
- Nikada nemojte stavljati baterije u usta iz bilo kog razloga, kako bi se sprečilo slučajno gutanje.
- Gutanje baterija može da izazove gušenje i/ili trovanje.
- Ugradite jedinicu na čvrstu strukturu kako biste sprečili previše jak zvuk rada ili vibracije.
- A-ponderisani nivo jačine pritiska zvuka je ispod 70 dB.
- Ovak uređaj je namenjen za upotrebu od strane stručnih ili obučanih korisnika u prodavnicama, u lakoj industriji i na farmama ili za komercijalnu upotrebu od strane nekvalifikovanih lica.

Please be sure to put the contact address/telephone number on this manual before handing it to the customer.

**mitsubishi electric corporation**

HEAD OFFICE: TOKYO BUILDING, 2-7-3, MARUNOUCHI, CHIYODA-KU, TOKYO 100-8310, JAPAN

# Air to Water Heat Pump SUZ-SWM·VA(H) series SUZ-SHWM·VAH series

INSTALLATION MANUAL	FOR INSTALLER	English
INSTALLATIONSHANDBUCH	FÜR INSTALLATEURE	Deutsch
MANUEL D'INSTALLATION	POUR L'INSTALLATEUR	Français
INSTALLATIEHANDLEIDING	VOOR DE INSTALLATEUR	Nederlands
MANUAL DE INSTALACIÓN	PARA EL INSTALADOR	Español
MANUALE DI INSTALLAZIONE	PER L'INSTALLATORE	Italiano
ΕΓΧΕΙΡΙΔΙΟ ΟΔΗΓΙΩΝ ΕΓΚΑΤΑΣΤΑΣΗΣ	ΓΙΑ ΑΥΤΟΝ ΠΟΥ ΚΑΝΕΙ ΤΗΝ ΕΓΚΑΤΑΣΤΑΣΗ	Ελληνικά
MANUAL DE INSTALAÇÃO	PARA O INSTALADOR	Português
INSTALLATIONSMANUAL	TIL INSTALLATØREN	Dansk
INSTALLATIONSMANUAL	FÖR INSTALLATÖREN	Svenska
MONTAJ ELKİTABI	MONTÖR İÇİN	Türkçe
РУКОВОДСТВО ПО УСТАНОВКЕ	ДЛЯ УСТАНОВИТЕЛЯ	Русский
ПОСІБНИК З УСТАНОВЛЕННЯ	ДЛЯ СПЕЦІАЛІСТА З МОНТАЖУ	Українська
РЪКОВОДСТВО ЗА МОНТАЖ	ЗА МОНТАЖНИКА	Български
INSTRUKCJA MONTAŻU	DLA INSTALATORA	Polski
INSTALLASJONSHÅNDBOK	FOR MONTØR	Norsk
ASENNUSOPAS	ASENTAJALLE	Suomi
INSTALAČNÍ PŘÍRUČKA	PRO MONTÁŽNÍ PRACOVNÍKY	Čeština
NÁVOD NA INŠTALÁCIU	PRE MONTÉRA	Slovenčina
TELEPÍTÉSI KÉZIKÖNYV	A TELEPÍTŐ RÉSZÉRE	Magyar
NAMESTITVENI PRIROČNIK	ZA MONTERJA	Slovenščina
MANUAL DE INSTALARE	PENTRU INSTALATOR	Română
PAIGALDUSJUHEND	PAIGALDAJALE	Eesti
MONTĀŽAS ROKASGRĀMATA	UZSTĀDĪŠANAS SPECIĀLISTAM	Latviski
MONTAVIMO VADOVAS	SKIRTA MONTUOTOJUI	Lietuviškai
PRIRUČNIK ZA POSTAVLJANJE	ZA INSTALATERA	Hrvatski
UPUTSTVO ZA UGRADNJU	ZA MONTERA	Srpski



1. Sigurnosne mere predostrožnosti	1	6. Električni radovi	9
2. Izbor mesta za ugradnju	3	7. Održavanje	10
3. Dijagram za montažu	5	8. Rad na cevima za vodu	11
4. Odvodne cevi za spoljnu jedinicu	5	9. Ispumpavanje	13
5. Rad na cevima za rashladno sredstvo	6	10. Specifikacije	14



**Napomena: Ovaj simbol je samo za zemlje članice EU.**

**Ovaj simbol je usklađen sa direktivom 2012/19/EU član 14 Informacija za korisnike i Aneksom IX.**

Vaš uređaj MITSUBISHI ELECTRIC osmišljen je i proizveden od materijala visokog kvaliteta i sastavnih delova koji se mogu reciklirati i ponovo koristiti.

Ovaj simbol označava da se električna i elektronska oprema, na kraju svog radnog veka, mora odlagati odvojeno od kućnog otpada.

Molimo vas da ovu opremu ispravno odložite u lokalnom centru za sakupljanje otpada/reciklažu.

U Evropskoj uniji postoji odvojen sistem za sakupljanje dotrajalih električnih i elektronskih proizvoda.

Pomozite nam da sačuvamo prirodu u kojoj živimo!

## ⚠ OPREZ:

- Nemojte ispuštati R32 u atmosferu.

## 1. Sigurnosne mere predostrožnosti

- ▶ Pre ugradnje jedinice, obavezno pročitajte „Sigurnosne mere predostrožnosti“.
- ▶ Molimo da izvestite ili pribavite saglasnost tela nadležnog za snabdevanje pre povezivanja na sistem.

### ⚠ UPOZORENJE:

Opisuje mere predostrožnosti koje se moraju poštovati kako bi se sprečila opasnost od povrede ili smrti korisnika.

### ⚠ OPREZ:

Opisuje mere predostrožnosti koje se moraju poštovati kako bi se sprečila opasnost od oštećenja jedinice.

Nakon završetka radova na ugradnji, kupcu objasnite „Sigurnosne mere predostrožnosti“, korišćenje i održavanje jedinice u skladu sa informacijama iz Uputstva za rukovanje i izvršite probni rad kako biste osigurali normalno funkcionisanje. Korisniku se moraju dati Uputstvo za ugradnju i Uputstvo za rukovanje. Ova uputstva moraju biti prosledena narednim korisnicima.

⚠ : Označava deo koji mora biti uzemljen.

### ⚠ UPOZORENJE:

Pažljivo pročitajte oznake pričvršćene na glavnoj jedinici.

Ⓢ : Označava upozorenja i mere opreza pri korišćenju rashladnog sredstva R32.

## ZNAČENJA SIMBOLA PRIKAZANIH NA UNUTRAŠNJOJ I/ILI SPOLJNOJ JEDINICI

	<b>UPOZORENJE</b> (Opasnost od požara)	Ova oznaka je samo za R32 rashladnu tečnost. Vrsta rashladne tečnosti je napisana na nazivnoj pločici spoljne jedinice. U slučaju da je vrsta rashladne tečnosti R32, ova jedinica koristi zapaljivu rashladnu tečnost. Ako rashladna tečnost procuri i dođe u dodir sa vatrom ili delom za grejanje, stvorice se štetni gas i postoji opasnost od požara.
		Pre početka korišćenja pažljivo pročitajte UPUTSTVO ZA RUKOVANJE.
		Pre početka korišćenja, servisno osoblje mora pažljivo da pročita UPUTSTVO ZA RUKOVANJE i UPUTSTVO ZA UGRADNJU.
		Dodatne informacije su dostupne u UPUTSTVU ZA RUKOVANJE, UPUTSTVU ZA UGRADNJU i sličnim dokumentima.

### ⚠ UPOZORENJE:

- Jedinicu ne sme da ugrađuje korisnik. Zatražite od prodavca ili ovlašćenog tehničara da ugrade i poprave jedinicu. Ukoliko se jedinica ne ugradi pravilno, može doći do curenja vode, strujnog udara ili požara.
- Za ugradnju i premeštanje, pratite uputstva u Uputstvu za ugradnju i koristite alate i komponente cevi posebno napravljene za korišćenje sa rashladnim sredstvom R32. Ako se koriste komponente cevi koje nisu projektovane za upotrebu sa rashladnim sredstvom R32 i ako jedinica nije pravilno ugrađena, može doći do pucanja cevi i oštećenja ili povreda. Osim toga, može doći do curenja vode, strujnog udara ili požara.
- Uređaj mora biti ugrađen u skladu sa uputstvima kako bi se smanjio rizik od oštećenja od zemljotresa, tajfuna ili jakih vetrova. Pogrešno ugrađena jedinica može pasti i dovesti do oštećenja ili povreda.
- Jedinica mora biti bezbedno ugrađena na konstrukciju koja može da izdrži njenu težinu. Ako je jedinica montirana na nestabilnoj podlozi, može pasti i dovesti do oštećenja ili povreda.
- Ukoliko je toplotna pumpa vazduh-voda ugrađena u maloj prostoriji, moraju se preduzeti mere kako bi se sprečilo da u slučaju curenja rashladnog sredstva njegova koncentracija u prostoriji premaši sigurnosnu granicu. Konsultujte se sa prodavcem u vezi sa odgovarajućim merama u cilju sprečavanja prekoračenja dozvoljene koncentracije. U slučaju da curenje rashladne tečnosti dovede do prekoračenja granice koncentracije, može doći do opasnosti zbog nedostatka kiseonika u prostoriji.
- Provetrite prostoriju ukoliko tokom rada iscuri rashladna tečnost. Ukoliko rashladna tečnost dođe u kontakt sa plamenom, biće ispušteni otrovni gasovi.
- Sve električne radove moraju da obavljaju kvalifikovani tehničari u skladu sa lokalnim propisima i instrukcijama datim u ovom uputstvu. Jedinice moraju imati posebne vodove za napajanje sa odgovarajućim naponom i moraju se koristiti sklopke. Korišćenje strujnih vodova nedovoljnog kapaciteta ili nepravilno izvođenje električnih radova može dovesti do strujnog udara ili požara.
- Za povezivanje cevi za rashladnu tečnost koristite bakar fosfor C1220, za bakarne ili bešavne cevi od legure bakra. Ako cevi nisu pravilno povezane, jedinica neće biti pravilno uzemljena i može doći do strujnog udara.
- Ovaj uređaj je namenjen za upotrebu od strane stručnih ili obučanih korisnika u prodavnicama, u lakoj industriji i na farmama ili za komercijalnu upotrebu od strane nekvalifikovanih lica.
- Za ožičenje koristite samo navedene kablove. Priklučci za ožičenje moraju biti bezbedno napravljeni bez zatezanja na priključcima terminala. Takođe, nikada nemojte nastavljati kablove za ožičenje (osim ako nije drugačije naznačeno u ovom dokumentu).
- Nepoštovanje ovih uputstava može dovesti do pregrevanja ili požara.
- Ako je kabl za napajanje oštećen, mora da ga zameni proizvođač, njegov ovlašćeni serviser ili osobe sličnih kvalifikacija da bi se izbegao rizik.
- Uređaj treba da se montira u skladu sa nacionalnim propisima ožičenja.
- Poklopac priključnice spoljne jedinice mora biti dobro pričvršćen. Ako poklopac nije pravilno postavljen, i ako prašina i vlaga prodru u jedinicu, može doći do strujnog udara ili požara.

# 1. Sigurnosne mere predostrožnosti

- Prilikom ugradnje ili premeštanja, ili servisiranja toplotne pumpe vazduh-voda, koristite samo određenu rashladnu tečnost (R32) da biste napunili linije za rashladnu tečnost. Nemojte je mešati sa bilo kojom drugom rashladnom tečnošću i nemojte dozvoliti da vazduh ostane u linijama. Ukoliko se vazduh pomeša sa rashladnom tečnošću, može biti uzrok abnormalno visokog pritiska u liniji za rashladnu tečnost, a može dovesti i do eksplozije i drugih opasnosti. Korišćenje drugih rashladnih tečnosti osim one koja je navedena za ovaj sistem može izazvati mehanički kvar ili nepravilan rad sistema ili otkazivanje jedinice. U najgorem slučaju, to može dovesti do ozbiljnog ugrožavanja bezbednosti rada ovog proizvoda.
- Koristite samo dodatnu opremu koju je odobrio Mitsubishi Electric i zatražite od prodavca ili ovlašćenog tehničara da je ugrade. Ukoliko se pribor ne ugradi pravilno, može doći do curenja vode, strujnog udara ili požara.
- Nemojte vršiti izmene jedinice. Može doći do požara, električnog udara, povrede ili curenja vode.
- Korisnik ne treba da pokušava da popravi jedinicu ili da je prenese na drugo mesto. Ukoliko se jedinica ne ugradi pravilno, može doći do curenja vode, strujnog udara ili požara. Ako se toplotna pumpa vazduh-voda mora popraviti ili premestiti, zatražite pomoć od prodavca ili ovlašćenog tehničara.
- U slučaju curenja rashladnog sistema, NEMOJTE vršiti ispušavanje pomoću kompresora.
- Kada se rashladna tečnost ispušava, zaustavite kompresor pre odvajanja cevi za rashladnu tečnost. Kompresor može da eksplodira ako u njegovu unutrašnjost dospe vazduh itd.
- Nakon završetka ugradnje, proverite da li rashladna tečnost curi. Ukoliko rashladna tečnost iscuri u prostoriju i dođe u kontakt sa plamenom grejača ili rešoom, biće ispušteni otrovni gasovi.
- Ne koristite sredstva za ubrzavanje procesa odmrzavanja ili za čišćenje, osim onih koje preporučuje proizvođač.
- Uređaj treba čuvati u prostoriji bez izvora paljenja koji neprekidno rade (na primer: otvoreni plamen, radni gasni uređaj ili radni električni grejač).
- Ne bušite niti palite.
- Imajte na umu da rashladne tečnosti nemaju miris.
- Cevi treba zaštititi od fizičkog oštećenja.
- Dužinu cevi treba svesti na minimum.
- Potrebno je pridržavati se nacionalnih propisa o gasovima.
- Otklonite sva ograničenja na potrebnim ventilacionim otvorima.
- Ne koristite lem niske temperature topljenja za lemljenje cevi za rashladnu tečnost.
- Prilikom lemljenja, obavezno dobro provetrite prostoriju. Uverite se da u blizini nema opasnih ili zapaljivih materijala. Pre obavljanja posla, prilikom izvođenja radova u zatvorenoj, maloj prostoriji ili na sličnom mestu, uverite se da ne postoji curenje rashladne tečnosti. Ako rashladna tečnost iscuri i sakupi se, može se zapaliti ili se mogu ispuštiti otrovni gasovi.
- Uređaj treba čuvati u dobro provetrenoj prostoriji gde veličina prostorije odgovara prostoriji koji je naveden za rad.
- Uređaje koji rade na gas, električne grejače i druge izvore vatre (izvori paljenja) držite dalje od mesta gde će se vršiti ugradnja, popravka i drugi radovi na toplotnoj pumpi vazduh-voda. Ukoliko rashladna tečnost dođe u kontakt sa plamenom, biće ispušteni otrovni gasovi.
- Zabranjeno je pušenje tokom obavljanja posla ili transporta.
- Nemojte dodavati više od maksimalne količine rashladnog sredstva za svaku spoljnu jedinicu. Ukoliko maksimalna količina rashladne tečnosti bude premašena, može doći do požara prilikom curenja rashladne tečnosti.

## 1.1. Pre ugradnje



### OPREZ:

- Ne koristite jedinicu u neuobičajenom okruženju. Ako je toplotna pumpa vazduh-voda ugrađena u oblastima koje su izložene pari, lako isparivom ulju (uključujući mašinsko ulje) ili sumpornom gasu, oblastima koje su izložene visokom sadržaju soli, kao što je primorje, ili oblastima u kojima će jedinica biti prekrivena snegom, funkcionalnost se može znatno smanjiti, a unutrašnji delovi mogu biti oštećeni.
- Nemojte ugrađivati jedinicu na mestima gde zapaljivi gas može da curi, nastaje, protiče ili se skuplja. Ukoliko se zapaljivi gas sakuplja oko jedinice, može doći do požara ili eksplozije.
- Kod spoljne jedinice tokom grejanja dolazi do kondenzacije. Obavezno obezbedite drenažu oko spoljne jedinice ako postoji opasnost da kondenzacija izazove štetu.
- Prilikom ugradnje jedinice u bolnici ili kancelariji za komunikacije, budite spremni na buku i elektronske smetnje. Inverteri, kućni aparati, visokofrekventna medicinska oprema i oprema za radio komunikacije mogu dovesti do nepravilnog rada ili otkazivanja toplotne pumpe vazduh-voda. Toplotna pumpa vazduh-voda takođe može da utiče na medicinsku opremu, ometa medicinsku negu i komunikacionu opremu i šteti kvalitetu prikaza na ekranu.

## 1.2. Pre ugradnje (premeštanja)



### OPREZ:

- Budite izuzetno oprezni pri transportu ili ugradnji jedinica. Za rukovanje jedinicom su potrebne dve ili više osoba, zbog njene težine od 20 kg ili više. Nemojte hvatati za trake pakovanja. Prilikom vađenja jedinice iz pakovanja i njenog pomeranja nosite zaštitne rukavice, da ne biste povredili ruke na rebra ili ivice drugih delova.
- Vodite računa da bezbedno odložite materijal za pakovanje. Materijali za pakovanje, kao što su ekseri i drugi metalni ili drveni delovi, mogu dovesti do uboda ili drugih povreda.
- Periodično se mora proveravati da li je došlo do popuštanja, pojave pukotina ili drugog oštećenja na nosaču i držačima spoljne jedinice. Ako se takvi nedostaci ne otklone, jedinica može pasti i dovesti do oštećenja ili povreda.
- Nemojte čistiti toplotnu pumpu vazduh-voda vodom. Može doći do strujnog udara.
- Zategnite sve proširene navrtke prema specifikaciji pomoću moment ključa. Ukoliko je previše zategnuta, proširena navrtka može da se slomi nakon dužeg vremena i rashladna tečnost može da iscuri.

## 1.3. Pre električnih radova



### OPREZ:

- Obavezno ugradite strujne prekidače. Ukoliko nisu ugrađeni, može doći do strujnog udara.
- Za vodove za napajanje koristite standardne kablove dovoljnog kapaciteta. U suprotnom može doći do kratkog spoja, pregrevanja ili požara.
- Prilikom ugradnje vodova za napajanje, nemojte zatezati kablove. Ako su priključci labavi, kablovi mogu pući ili se pokidati i može doći do pregrevanja ili požara.
- Obavezno uzemljite jedinicu. Nemojte da povezujete žicu za uzemljenje na gasovodne ili vodovodne cevi, gromobrane ili telefonsku žicu za uzemljenje. Ukoliko jedinica nije ispravno uzemljena, može doći do strujnog udara.
- Koristite automatske osigurače (fid sklopka, prekidač (+B osigurač) i zaštitni prekidač) sa naznačenim kapacitetom. Ako je kapacitet strujnog prekidača veći od navedenog kapaciteta, može doći do otkazivanja ili požara.

# 1. Sigurnosne mere predostrožnosti

## 1.4. Pre početka probnog rada

### OPREZ:

- Uključite glavni prekidač za napajanje više od 12 sati pre početka rada. Početak rada neposredno nakon uključivanja prekidača za napajanje može ozbiljno oštetiti unutrašnje delove. Tokom korišćenja u sezoni, držite uključen glavni prekidač napajanja.
- Pre početka rada proverite da li su sve ploče, štitnici i drugi zaštitni delovi pravilno ugrađeni. Rotirajući, vrući ili delovi sa visokim naponom mogu izazvati povrede.

- Nemojte dodirivati prekidače vlažnim rukama. Može doći do strujnog udara.
- Nemojte dodirivati cevi za rashladnu tečnost golim rukama tokom rada. Rashladne cevi su vruće ili hladne u zavisnosti od stanja rashladnog sredstva koje kroz njih protiče. Kod dodirivanja cevi može doći do opekotina ili promrzlina.
- Nakon prestanka rada, obavezno sačekajte najmanje pet minuta pre nego što isključite glavni prekidač za napajanje. U suprotnom, može doći do curenja vode ili otkazivanja.

## 1.5. Korišćenje rashladnog sredstva R32 sa toplotnom pumpom vazduh-voda

### OPREZ:

- Za povezivanje cevi za rashladnu tečnost koristite bakar fosfor C1220, za bakarne ili bešavne cevi od legure bakra. Uverite se da su unutrašnjosti cevi čiste i da ne sadrže štetne zagađivače kao što su sumporna jedinjenja, oksidanti, ostaci ili prašina. Koristite cevi naznačene debljine. (pogledajte 4.1.) Obratite pažnju na ono što sledi ako ponovo koristite postojeće cevi u kojima je korišćena rashladna tečnost R22.
  - Zamenite postojeće proširene navrtke i ponovo proširite proširene delove.
  - Nemojte koristiti tanke cevi. (pogledajte 4.1.)
- Skladištite cevi koje ćete koristiti tokom montaže u zatvorenom prostoru i držite oba kraja cevi zaptivenim do momenta lemljenja. (Ostavite spojna kolena, i sl. u njihovoj ambalaži.) Ako prašina, ostaci ili vlaga dospeju u vodove rashladnog sredstva, može doći do propadanja ulja ili kvara kompresora.
- Koristite estarsko ulje, etarsko ulje ili ulje na bazi alkil-benzena (mala količina) kao ulje za rashlađivanje koje se primenjuje kod proširivanja delova. Ako se mineralno ulje pomeša sa rashladnim uljem, može doći do propadanja ulja.
- Servisiranje treba obaviti isključivo na način koji preporučuje proizvođač.

- Nemojte koristiti drugo rashladno sredstvo osim R32. Ako se koristi drugo rashladno sredstvo, hlor će uzrokovati propadanje ulja.
- Koristite sledeće alate posebno projektovane za upotrebu sa rashladnim sredstvom R32. Sledeće alate su neophodne za korišćenje rashladnog sredstva R32. Ako imate bilo kakva pitanja obratite se najbližem prodavcu.

Alatke (za R32)	
Razvodnik sa meračem	Alat za proširivanje
Crevo za punjenje	Merač za podešavanje veličine
Detektor curenja gasa	Adapter vakuumske pumpe
Moment-ključ	Elektronski merač za punjenje rashladnog sredstva

- Obavezno koristite odgovarajuće alate. Ako prašina, ostaci ili vlaga dospeju u vodove rashladnog sredstva, može doći do propadanja rashladnog ulja.

## 2. Izbor mesta za ugradnju

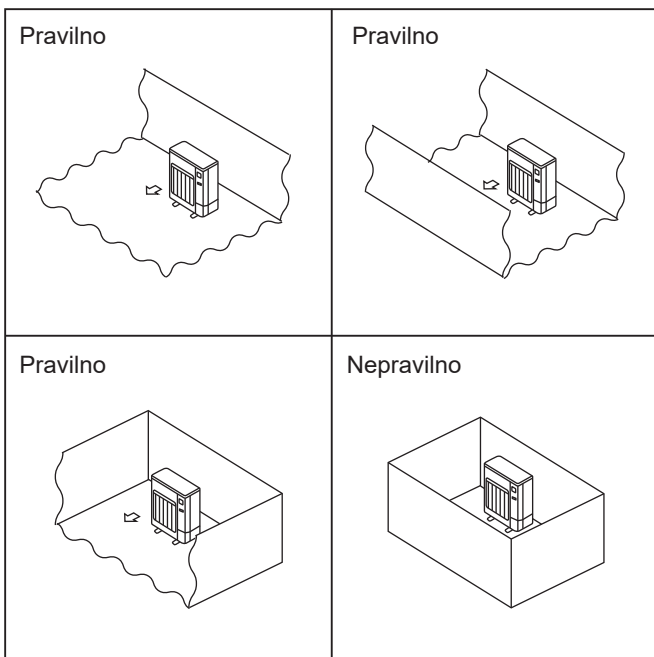


Fig. 2-1

### 2.1. Spoljna jedinica

- R32 je teži od vazduha - kao i od drugih rashladnih sredstava - tako da teži da se skuplja pri dnu (u blizini poda). Ako se R32 akumulira pri dnu, ako je prostorija mala može dostići zapaljivu koncentraciju. Da biste izbegli paljenje, potrebno je održavati bezbedno radno okruženje obezbeđenjem odgovarajuće ventilacije. Ako je potvrđeno curenje rashladnog sredstva u prostoriji ili u području gde nema dovoljno ventilacije, uzdržite se od korišćenja plamena dok se u radnom okruženju ne obezbedi odgovarajuća ventilacija.
- Tamo gde ne postoji izloženost snažnom vetru.
- Tamo gde je protok vazduha dobar i gde nema prašine.
- Na mestu na kom neće dolaziti do prekida ciklusa vazduha.
- Tamo gde komšijama ne smetaju zvuk rada ili vruć vazduh.
- Tamo gde postoji tvrdi zid ili oslonac kako bi se sprečilo povećanje zvuka rada ili vibracija.
- Tamo gde nema rizika od curenja zapaljivog gasa.
- Prilikom montaže uređaja na visinu, obavezno učvrstite nosače jedinice.
- Tamo gde je udaljenost najmanje 3 m od antene televizora ili radio-uređaja. (U suprotnom, može doći do pogoršanja kvaliteta slike ili do pojave šuma.)
- Montirajte jedinicu u oblasti u kojoj nema uticaja snežnih padavina ili snežnog vetra. U oblastima sa dosta snega, postavite nadstrešnicu, postolje i/ili pregradne daske.
- Montirajte jedinicu horizontalno.
- Priključak cevi za rashladnu tečnost mora biti dostupan za potrebe održavanja.
- Postavite spoljne jedinice na mesto na kome je najmanje jedna od četiri stranice otvorena i na dovoljno velikom prostoru bez uvala. (Fig. 2-1)

### OPREZ:

Izbegavajte sledeća mesta za ugradnju na kojima može doći do nepravilnosti u radu toplotne pumpe vazduh-voda.

- Tamo gde ima dosta mašinskog ulja.
- U područjima gde ima dosta soli, kao što su primorska mesta.
- U područjima sa termalnim izvorima.
- Tamo gde postoji sulfidni gas.
- U ostalim oblastima sa specifičnom atmosferom.

Spoljna jedinica tokom grejanja proizvodi kondenzat. Izaberite mesto za montažu kako bi se sprečilo vlaženje spoljne jedinice i/ili zemlje odvodnom vodom ili oštećenje smrznutom odvodnom vodom.

## 2. Izbor mesta za ugradnju

### 2.2. Minimalno područje za ugradnju

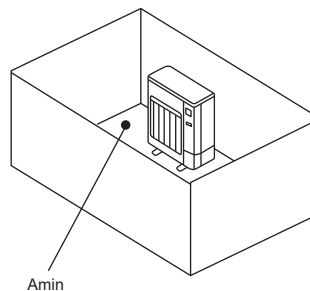
Ako ne možete da izbegnete ugradnju spoljne jedinice u prostoru u kome su sve četiri strane blokirane ili postoje uvale, potvrdite da je jedna od ovih situacija (A, B ili C) zadovoljena.

**Napomena: Ove protivmere služe za održavanje bezbednosti ne za garanciju specifikacije.**

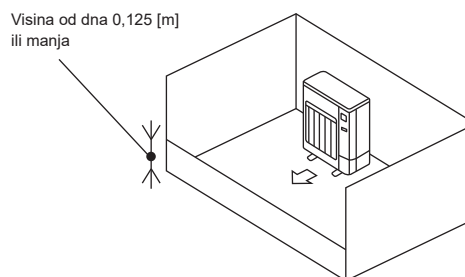
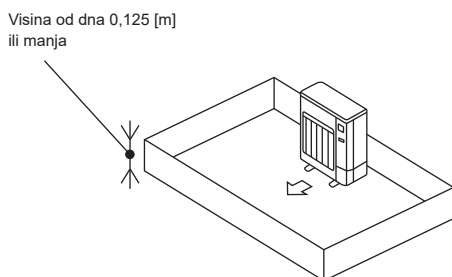
A) Obezbedite dovoljno prostora za ugradnju (minimalno područje za ugradnju je Amin).

Izvršite ugradnju u prostoru koji ima Amin ili više, prema količini rashladnog sredstva M (fabrički napunjeno rashladno sredstvo + rashladno sredstvo dodato na lokaciji).

M [kg]	Amin [m <sup>2</sup> ]
1,0	12
1,5	17
2,0	23
2,5	28
3,0	34
3,5	39
4,0	45
4,5	50
5,0	56
5,5	62
6,0	67
6,5	73
7,0	78
7,5	84



B) Ugradite u područje sa ulegnućem visine  $\leq 0,125$  [m].

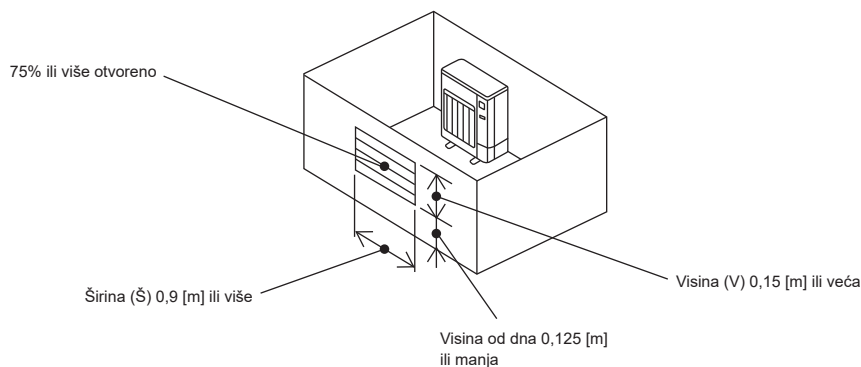


C) Napravite odgovarajuće otvoreno područje za ventilaciju.

Uverite se da je širina otvorenog prostora 0,9 [m] ili veća, a visina 0,15 [m] ili veća.

Ipak, visina od dna prostora za ugradnju do donje ivice otvorenog prostora treba da bude 0,125 [m] ili manja.

Otvoreno područje treba da bude otvoreno 75% ili više.



**Napomena: Kada je u pitanju unutrašnja jedinica, ne postoje ograničenja ugradnje usled korišćenja rashladnog sredstva R32. Pogledajte uputstvo za ugradnju unutrašnje jedinice i proverite potrebnu oblast ugradnje.**

### 3. Dijagram za montažu

#### 3.1. Spoljna jedinica (Fig. 3-1)

##### Prostor za ventilaciju i servisiranje

- Ⓐ 100 mm ili više
- Ⓑ 350 mm ili više
- Ⓒ 500 mm ili više

Kada cevi treba da se priključe na zid koji sadrži metale (kalajisan) ili metalne mreže, koristite hemijski obrađeni drveni komad od 20 mm ili deblji između zida i cevi ili obmotajte cev 7 do 8 puta izolacionom vinilnom trakom.

Jedinice treba da montira licencirani izvođač radova u skladu sa lokalnim propisima.

##### Napomena:

Tokom rada toplotne pumpe vazduh-voda na niskoj spoljnoj temperaturi, obavezno se pridržavajte uputstava opisanih u nastavku.

- Nikada ne instalirajte spoljnu jedinicu na mestu na kome njena strana sa otvorom za uvlačenje/ispuštanje vazduha može direktno biti izložena vetru.
- Da bi se sprečilo izlaganje vetru, montirajte spoljnu jedinicu tako da strana sa otvorom za uvlačenje vazduha bude okrenuta prema zidu.
- Da bi se sprečilo izlaganje vetru, preporučuje se da se na strani spoljne jedinice sa otvorom za ispuštanje vazduha postavi pregradna daska.

- SUZ-SWM80VA2, SUZ-SWM80VAH2, SUZ-SWM100VA, SUZ-SWM100VAH, SUZ-SHWM60VAH

- SUZ-SWM30VA, SUZ-SWM40VA2, SUZ-SWM60VA2, SUZ-SHWM30VAH, SUZ-SHWM40VAH

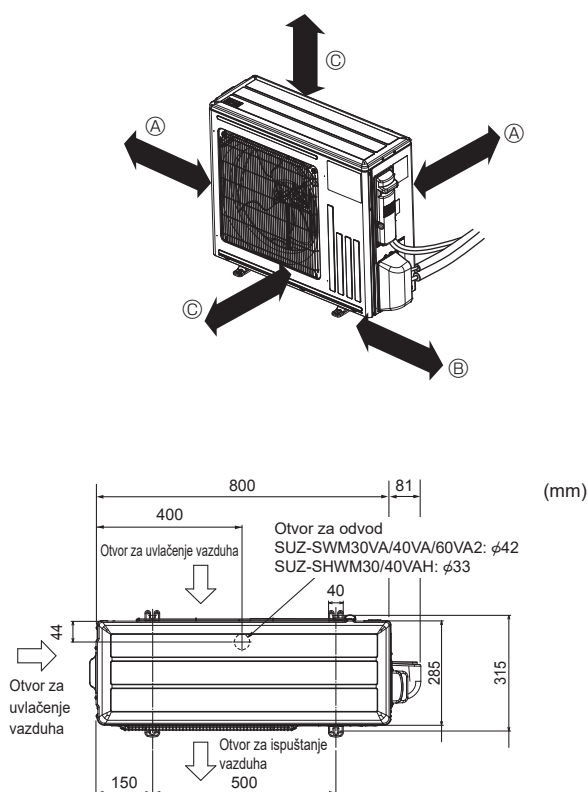
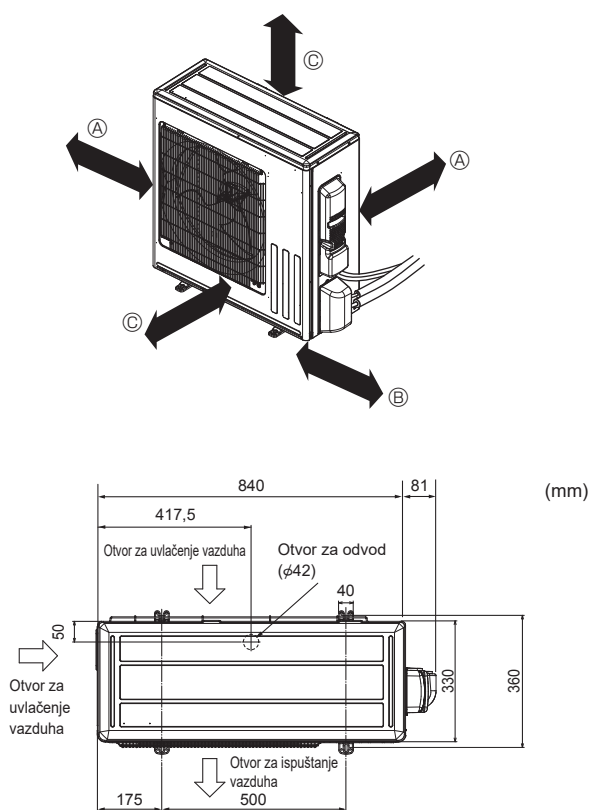


Fig. 3-1

### 4. Odvodne cevi za spoljnu jedinicu (Fig. 4-1)

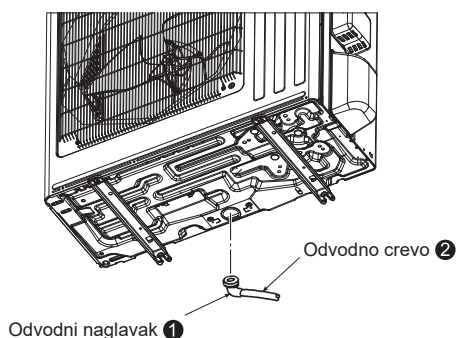


Fig. 4-1

#### 4.1. Dodatna oprema

Pre montaže proverite sledeće delove.

<Spoljna jedinica>

❶	Odvodni naglavak	1
---	------------------	---

- Obezbedite odvodne cevi pre spajanja cevi unutrašnje i spoljne jedinice. (Biće teško da se montira odvodni naglavak ❶ ako se spajanje cevi unutrašnje i spoljne jedinice izvrši pre odvodnih cevi jer više neće biti moguće pomerati spoljnu jedinicu.)
- Priključite odvodno crevo ❷ (može se nabaviti u prodavnici, unutrašnji prečnik: 15 mm), kao što je prikazano na slici koja prikazuje odvod.
- Obezbedite odvodne cevi sa padom nadole radi jednostavnog protoka odvoda.

##### Napomena:

Ne koristite odvodni naglavak ❶ u hladnim područjima. Odvod se može zamrznuti i dovesti do zaustavljanja ventilatora. Odvodni naglavak nije uključen u SHWM seriju.

## 5. Rad na cevima za rashladno sredstvo

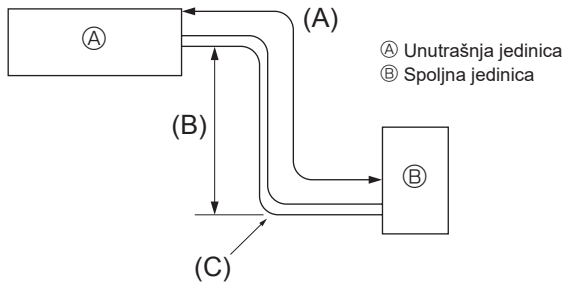


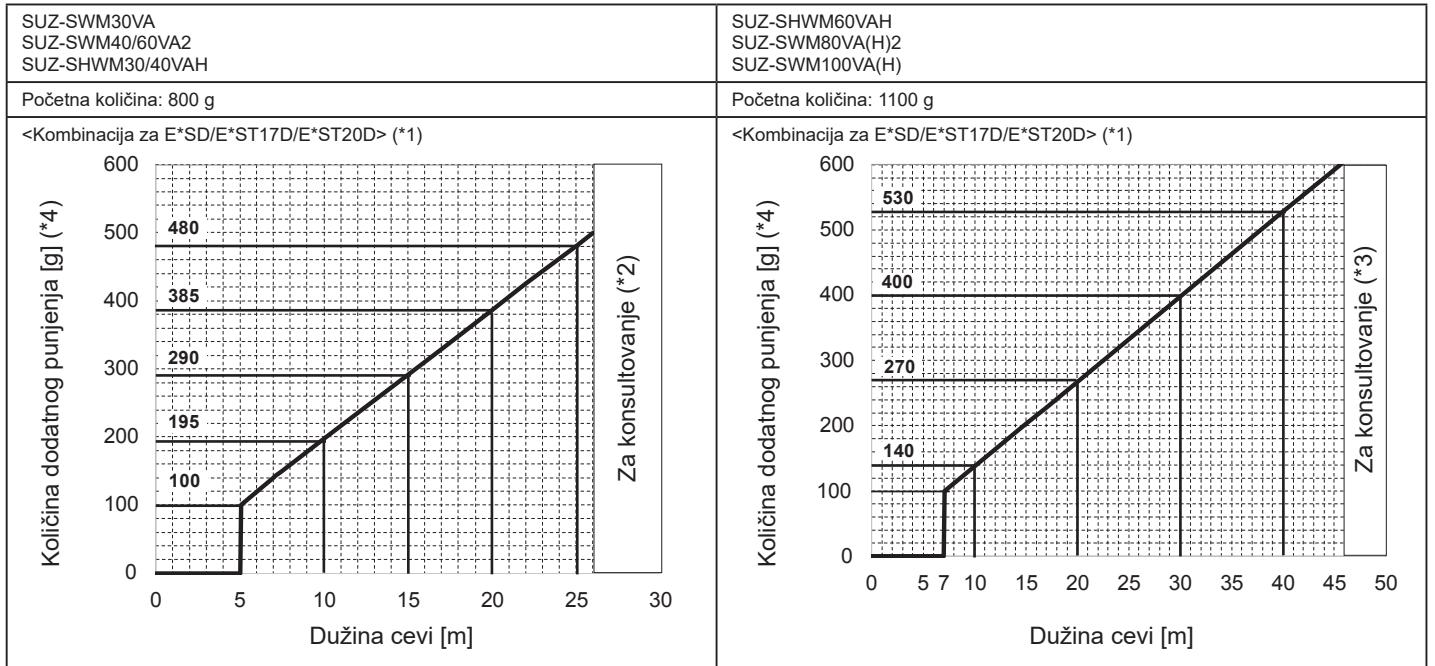
Fig. 5-1

### 5.1. Cev za rashladno sredstvo (Fig. 5-1)

► Proverite da li su razlika u visini unutrašnje i spoljne jedinice, dužina cevi za rashladno sredstvo i broj krivina u cevi unutar graničnih vrednosti koje su prikazane ispod.

Modeli	(A) Dužina cevi (jedan smer)	(B) Razlika u visini	(C) Broj krivina (jedan smer)
SUZ-SWM30VA	2 m - 26 m	Max 26 m	Maksimalno 10
SUZ-SHWM30VAH			
SUZ-SWM40VA2			
SUZ-SHWM40VAH			
SUZ-SWM60VA2	2 m - 46 m	Max 30 m	
SUZ-SHWM60VAH			
SUZ-SWM80VA(H)2			
SUZ-SWM100VA(H)			

• Ograničenja u pogledu razlika u visini su obavezujuća bez obzira na to koja jedinica, unutrašnja ili spoljna, je postavljena na veću visinu.



\*1. U slučaju povezivanja sa E\*ST30D, UVEK dodajte 50 g na dodatno punjenje u skladu sa grafikonima.

\*2. Ako dužina cevi prelazi 26 m, obavezno se posavetujte sa našim stručnjakom.

\*3. Ako dužina cevi prelazi 46 m, obavezno se posavetujte sa našim stručnjakom.

\*4. U slučaju potpunog punjenja; početna količina + količina dodatnog punjenja

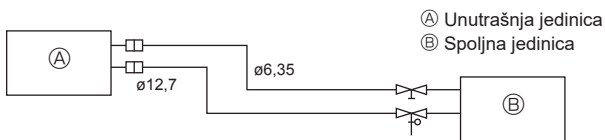


Fig. 5-2

(1) U tabeli ispod prikazane su tehničke karakteristike cevi koje se mogu naći na tržištu. (Fig. 5-2)

Model	Cev	Spoljni prečnik		Min. debljina zida	Debljina izolacije	Izolacioni materijal
		mm	inča			
Svi modeli	Za tečnost	6,35	1/4	0,8 mm	8 mm	Plastična pena otporna na toplotu specifične težine 0,045
	Za gas	12,7	1/2	0,8 mm	8 mm	

(2) Uverite se da su 2 cevi za rashladno sredstvo dobro izolovane da biste sprečili kondenzaciju.

(3) Poluprečnik savijanja cevi za rashladno sredstvo mora da iznosi 100 mm ili više.

### ⚠ OPREZ:

Upotreba pažljive izolacije određene debljine. Prevelika debljina sprečava nakupljanje iza unutrašnje jedinice a manja debljina dovodi do curenja kondenzata.

- Obavezno obezbedite odgovarajuću ventilaciju da biste sprečili paljenje. Osim toga, obavezno primenite preventivne mere u pogledu opasnih ili zapaljivih objekata u okruženju.
- Dopuna rashladnog sredstva R32 prilikom održavanja: Pre servisnog dopunjavanja opreme rashladnim sredstvom R32, da bi se osiguralo da ne dođe do eksplozije usled električnih varnica, mora se osigurati da je mašina opreme 100% odvojena sa električnog napajanja.
- Izolacioni materijal treba da ispunjava sledeće SPECIFIKACIJE.
  - (1) Brzina prenosa toplote: 0,040 W/mK ili manje
  - (2) Debljina izolacije: 9 mm ili više
  - (3) Otpornost na toplotu: 110 °C ili više
 Ako je dužina spoljašnjih cevi veća od 15 m, debljina izolacije treba da bude 18 mm ili više.

## 5. Rad na cevima za rashladno sredstvo

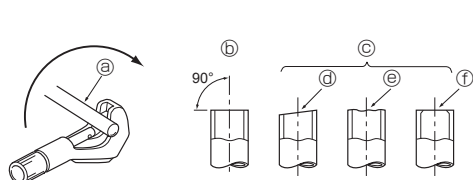


Fig. 5-3

- Ⓐ Bakarne cevčice
- Ⓑ Dobro
- Ⓒ Nije dobro
- Ⓓ Nagnuto
- Ⓔ Neravno
- Ⓕ Hrapavo

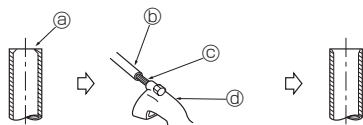


Fig. 5-4

- Ⓐ Hrapava ivica
- Ⓑ Bakarna cevčica/cev
- Ⓒ Rezervni razvrtač
- Ⓓ Rezači cevi

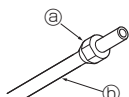


Fig. 5-5

- Ⓐ Proširena navrtka
- Ⓑ Bakarna cevčica

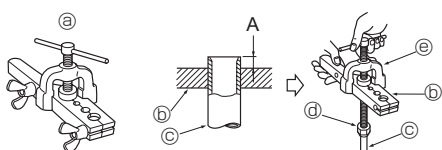


Fig. 5-6

- Ⓐ Alat za proširivanje
- Ⓑ Kalup
- Ⓒ Bakarna cevčica
- Ⓓ Proširena navrtka
- Ⓔ Spojka

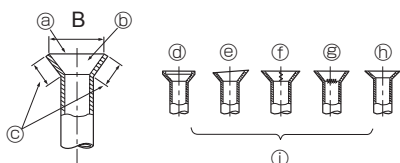


Fig. 5-7

### 5.2. Proširivanje cevi

- Glavni uzrok curenja gasa je neispravnost u proširivanju cevi. Izvršite pravilno proširivanje cevi prema sledećem postupku.

#### 5.2.1. Sečenje cevi (Fig. 5-3)

- Koristeći rezač cevi pravilno isecite bakarne cevi.

#### 5.2.2. Uklanjanje hrapavih ivica (Fig. 5-4)

- Potpuno uklonite sve hrapave ivice sa isečenog poprečnog preseka cevčice/cevi.
- Okrenite kraj bakarne cevčice/cevi nadole prilikom uklanjanja hrapavih ivica da bi se izbeglo upadanje opiljaka u cevi.

#### 5.2.3. Postavljanje navrtke (Fig. 5-5)

- Uklonite proširene navrtke pričvršćene na unutrašnju i spoljnu jedinicu, a zatim ih postavite na cevčicu/cev nakon što završite uklanjanje hrapavih ivica. (postavljanje nije moguće nakon proširivanja)

#### 5.2.4. Proširivanje (Fig. 5-6)

- Izvršite proširivanje cevi pomoću alata za proširivanje kao što je prikazano sa leve strane.

Prečnik cevi (mm)	Dimenzija	
	A (mm)	B <sup>+0</sup> <sub>-0,4</sub> (mm)
	Kada se koristi alat za R32 Tip sa stezaljkom	
6,35	0 - 0,5	9,1
9,52	0 - 0,5	13,2
12,7	0 - 0,5	16,6
15,88	0 - 0,5	19,7

Čvrsto držite bakarnu cev u kalupu sa dimenzijama kao što je prikazano iznad.

#### 5.2.5. Provera (Fig. 5-7)

- Uporedite proširivanje cevi sa slikom na levoj strani.
- Ako je proširenje oštećeno, odsecite prošireni deo i ponovo obavite proširivanje.

- Ⓐ Glatka svuda
- Ⓑ Unutra je sjajna i bez ogrebotina
- Ⓒ Jednaka dužina svuda
- Ⓓ Previše
- Ⓔ Nagnuto
- Ⓕ Ogrebotina na proširenju
- Ⓖ Napuklina
- Ⓗ Neravno
- Ⓘ Loši primeri

- Nanesite tanak sloj ulja za hlađenje na površinu naleganja cevi. (Fig. 5-8)
- Prilikom spajanja prvo poravnajte centar zatim pritegnite prva 3 do 4 okreta proširene navrtke.
- Koristite tabelu sa momentima pritezanja ispod kao smernicu za deo bočne spojnice unutrašnje jedinice i pritegnite pomoću dva ključa. Preterano pritezanje oštećuje prošireni deo.

Bakarna cev spoljni prečnik (mm)	Proširena navrtka spoljni prečnik (mm)	Moment pritezanja (N·m)
ø6,35	17	14 - 18
ø9,52	22	34 - 42
ø12,7	26	49 - 61
ø15,88	29	68 - 82

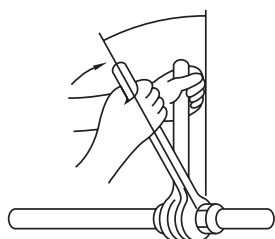


Fig. 5-8

### ⚠ UPOZORENJE:

Prilikom montaže jedinice, čvrsto spojite cevi za rashladno sredstvo pre nego što pokrenete kompresor.

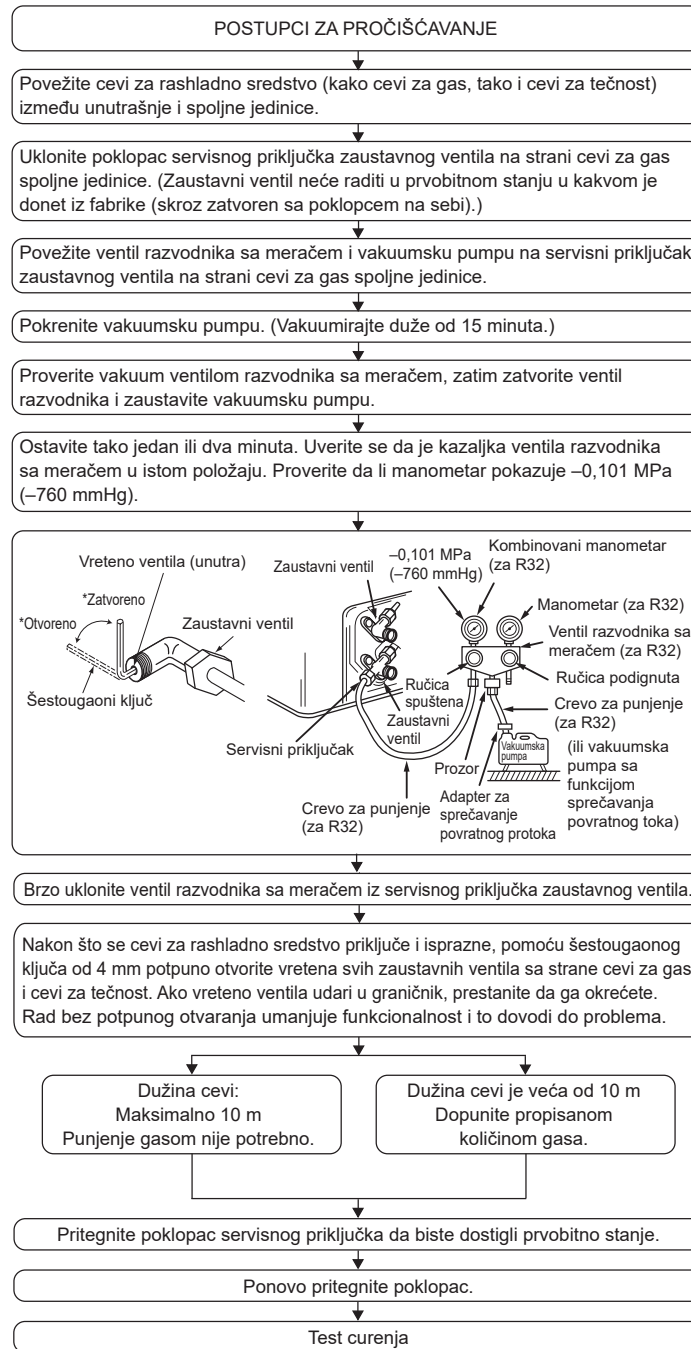
### ⚠ UPOZORENJE:

Pazite na mogućnost izletanja proširene navrtke! (Interno pod pritiskom) Proširenu navrtku uklonite na sledeći način:

1. Otpuštajte navrtku sve dok ne čujete zvuk šištanja.
2. Nemojte uklanjati navrtku sve dok gas nije potpuno oslobođen (tj. kada prestane zvuk šištanja).
3. Proverite da li je gas potpuno oslobođen, a zatim uklonite navrtku.

## 5. Rad na cevima za rashladno sredstvo

### 5.3. Postupci za pročišćavanje i testiranje curenja



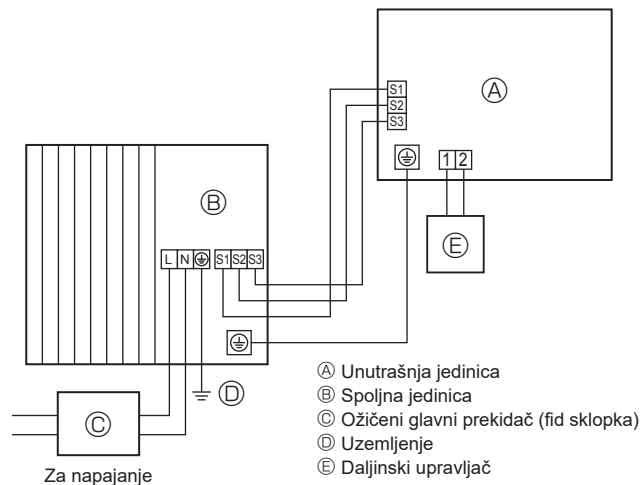


## 6. Električni radovi

### 6.1. Spoljna jedinica (Fig. 6-1, Fig. 6-2, Fig. 6-3)

- ① Skinite ploču za servisiranje.
- ② Povežite kablove u skladu sa slikama Fig. 6-1, Fig. 6-2 i Fig. 6-3.

#### ■ SUZ-SHWM60VAH, SUZ-SWM80VA(H)2, SUZ-SWM100VA(H)



#### ■ SUZ-SHWM30/40VAH, SUZ-SWM30VA, SUZ-SWM40/60VA2

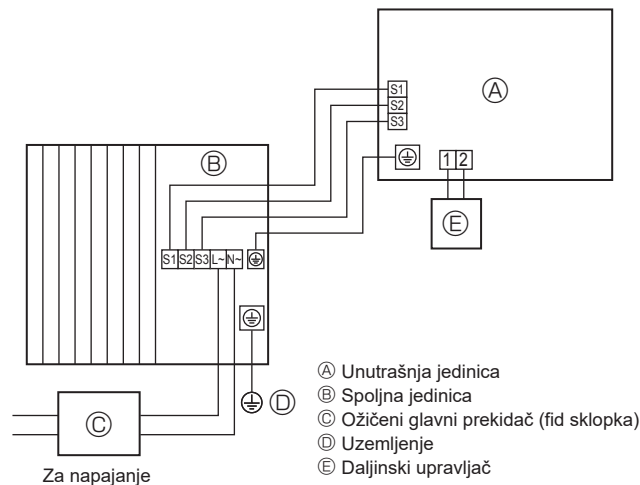


Fig. 6-1

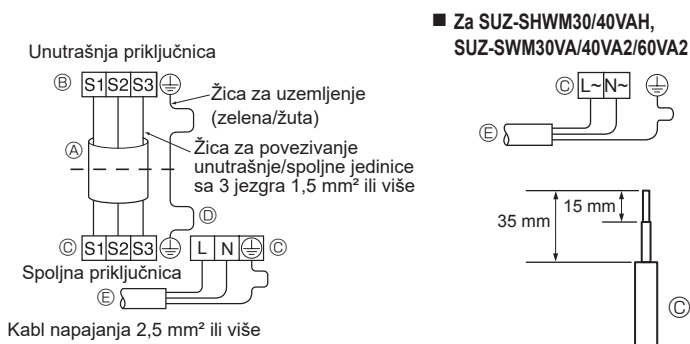
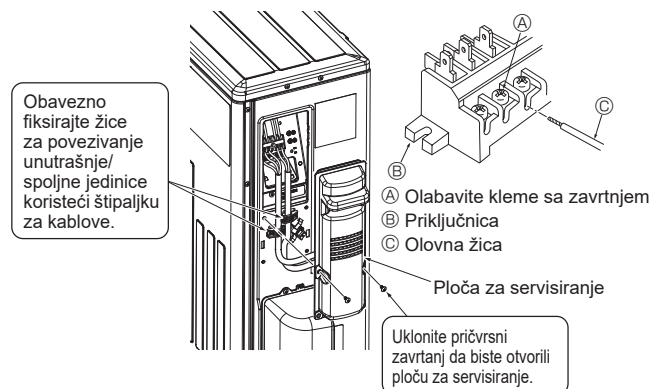


Fig. 6-2

#### ■ SUZ-SWM30VA, SUZ-SWM40VA2, SUZ-SWM60VA2, SUZ-SHWM30VAH, SUZ-SHWM40VAH



#### ■ SUZ-SWM80VA2, SUZ-SWM100VA, SUZ-SWM80VAH2, SUZ-SWM100VAH, SUZ-SHWM60VAH

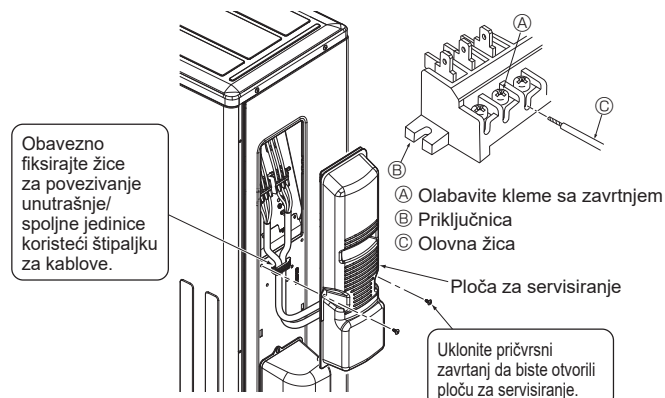


Fig. 6-3

- Sprovedite ožičenje kako je prikazano na dijagramu u donjem levom uglu. (Nabavite kabl u radnji) (Fig. 6-2)
- Vodite računa da kablovi budu odgovarajućeg polariteta.

- A Kabel za povezivanje
- B Unutrašnja priključnica
- C Spoljna priključnica
- D Uvek montirajte kabl za uzemljenje duži od drugih kablova.
- E Kabel za napajanje
- F Olovna žica

- Žica za uzemljenje treba da bude malo duža od drugih. (Više od 100 mm)
- Žice za povezivanje treba da budu nešto duže radi naknadnog servisiranja.
- Svaki zavrtnj treba da bude pričvršćen na odgovarajuću klemu prilikom učvršćivanja kabla i/ili žice na priključnicu.

- Povežite kabl od unutrašnje jedinice ispravno na priključnicu.
- Koristite istu priključnicu i polaritet kao i za unutrašnju jedinicu.
- Radi naknadnog održavanja, kabl za povezivanje treba da bude duži.

- Oba kraja kabla za povezivanje (produžna žica) su oguljena. U slučaju da je predugačak, ili je povezan tako što je presečen u sredini, ogulite strujni kabl na veličinu koja je prikazana na slici.
- Vodite računa da kabl za povezivanje ne dođe u kontakt sa cevima.

### ⚠ OPREZ:

- Vodite računa da ožičenje ne bude pogrešno.
- Čvrsto pritegnite klemu sa zavrtnjem da biste sprečili njihovo olabavlivanje.
- Nakon pritezanja, pažljivo povucite žice da biste potvrdili da se ne pomeraju.

### ⚠ UPOZORENJE:

- Vodite računa da ploča za servisiranje spoljne jedinice bude čvrsto pričvršćena. Ako se ne postavi pravilno, može doći do požara i strujnog udara usled prodiranja prašine, vode, i sl.
- Čvrsto pritegnite klemu sa zavrtnjem.
- Ožičenje treba obaviti tako da strujni vodovi ne budu zategnuti. U suprotnom, može doći do nastanka toplote ili čak do požara.

## 6. Električni radovi

### 6.2. Terensko električno ožičenje

Model spoljne jedinice		SUZ-SHWM30VAH/40VAH SUZ-SWM30VA/40VA2/60VA2	SUZ-SHWM60VAH SUZ-SWM80VA(H)2/SWM100VA(H)
Napajanje spoljne jedinice		~N (jednofazno), 50 Hz, 230 V	~/N (jednofazno), 50 Hz, 230 V
Ulazni kapacitet spoljne jedinice Glavni prekiđač (Osigurač)		*1 16 A	20 A
Ožičenje Žica br. × veličina (mm <sup>2</sup> )	Napajanje spoljne jedinice	2 × Min. 2,5	2 × Min. 2,5
	Napajanje i uzemljenje spoljne jedinice	1 × Min. 2,5	1 × Min. 2,5
	Unutrašnja jedinica-Spoljna jedinica	3 × 1,5 (polarno)	3 × 1,5 (polarno)
	Unutrašnja jedinica-Spoljna jedinica uzemljenje	1 × Min. 1,5	1 × Min. 1,5
Napajanje kola	Spoljna jedinica L-N	*2 230 V naizmjenične struje	230 V naizmjenične struje
	Unutrašnja jedinica-Spoljna jedinica S1-S2	*2 230 V naizmjenične struje	230 V naizmjenične struje
	Unutrašnja jedinica-Spoljna jedinica S2-S3	*2 12 jednosmerne struje – 24 jednosmerne struje	12 jednosmerne struje – 24 jednosmerne struje

\*1. Obezbeđen je osigurač sa razdvajanjem kontakta od najmanje 3 mm u svakom polu. Koristite fid sklopku (NV).

Obavezno koristite fidovu sklopku koja je kompatibilna sa višim harmonikama.

Uvek koristite fidovu sklopku koja je kompatibilna sa višim harmonikama jer je jedinica opremljena inverterom.

Korišćenje neodgovarajućeg osigurača može dovesti do nepravilnog rada invertera.

\*2. Vrednosti NISU uvek prema uzemljenju.

S3 terminal ima 24 V jednosmerne struje prema S2 terminalu. Međutim između S3 i S1, ovi terminali NISU električno izolovani transformatorom ili nekim drugim uređajem.

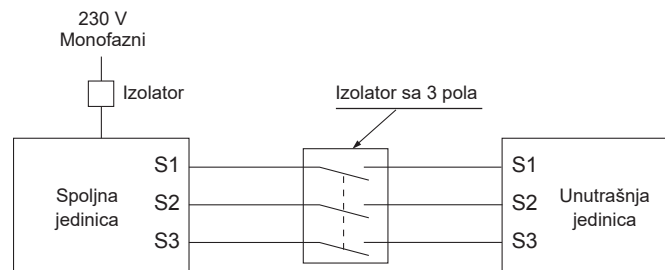
**Napomene:** 1. Veličina ožičenja mora biti u skladu sa važećim lokalnim i nacionalnim kodom.

2. Kablovi za napajanje i kablovi za povezivanje unutrašnje/spoljne jedinice ne smeju biti lakši od fleksibilnog kabla obloženog polihloroprenom. (Dizajn 60245 IEC 57)

3. Montirajte kabl za uzemljenje duži od drugih kablova.

4. Koristite samogasive razvodne kablove za ožičenje napajanja.

5. Pravilno provedite ožičenje tako da ne dođe u kontakt sa ivicom lima ili vrhom vijka.



### ⚠ UPOZORENJE:

Postoji potencijalno visoki napon na priključku S3 usled dizajna električnog kola koje nema električnu izolaciju između strujnog voda i signalnog komunikacionog voda. Zato, prilikom servisiranja isključite glavno napajanje. I ne dodirujte S1, S2, S3 terminale kada je napajanje aktivirano. Ako treba koristiti izolator između unutrašnje i spoljne jedinice, koristite 3-polni tip.

Nikada nemojte nastavljati kabl za napajanje ili kabl za unutrašnju/spoljnu vezu, u suprotnom može doći do dima, požara ili kvara u komunikaciji.

Obavezno povežite kablove za unutrašnju/spoljnu vezu za povezivanje direktno na jedinice (bez posrednih veza).

Posredne veze mogu dovesti do greške u komunikaciji ako voda uđe u kablove i dovede do nedovoljne izolacije sa uzemljenjem ili lošeg električnog kontakta na posrednoj tački za povezivanje.

## 7. Održavanje

### 7.1. Punjenje gasom (Fig. 7-1)

1. Povežite gasni cilindar na servisni otvor zaustavnog ventila (trosmerni).
2. Izvršite izduvavanje vazduhom cevi (ili creva) koje dolazi iz cilindra gasa za rashlađivanje.
3. Dopunite određenu količinu rashladnog sredstva dok toplotna pumpa vazduh-voda vrši hlađenje.

**Napomena:**

U slučaju dodavanja rashladnog sredstva, poštujujte količinu koja je određena za ciklus rashlađivanja.

### ⚠ OPREZ:

- Ne ispuštajte rashladno sredstvo u atmosferu. Vodite računa da ne ispuštite rashladno sredstvo u atmosferu tokom montiranja, ponovnog montiranja ili popravki rashladnog kola.
- Za dodatno punjenje, napunite rashladno sredstvo iz tečne faze gasnog cilindra. Ako se rashladno sredstvo puni iz gasne faze, može doći do promene sastava u rashladnom sredstvu unutar cilindra i spoljne jedinice. U tom slučaju, sposobnost ciklusa rashlađivanja opada ili uobičajen rad nije moguć. Međutim, punjenje tečnog rashladnog sredstva odjednom može da dovede do blokiranja kompresora. Stoga, punite rashladno sredstvo polako.

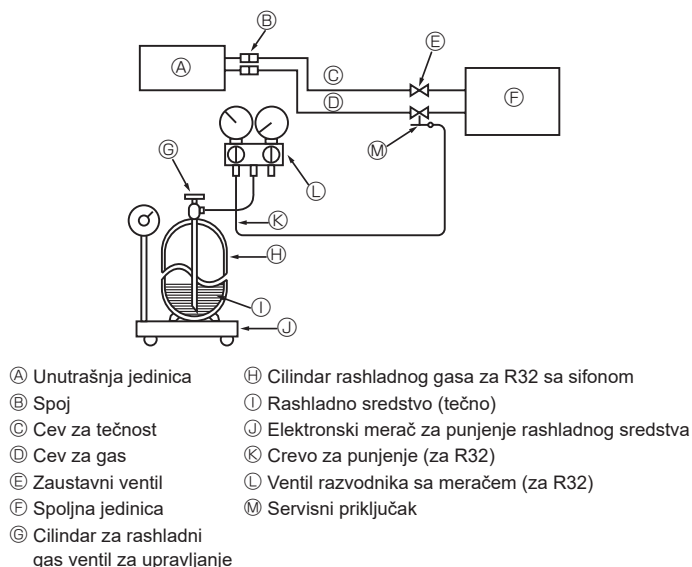


Fig. 7-1

Da biste održali visok pritisak gasnog cilindra, zagrejte gasni cilindar toplom vodom (ispod 40 °C) tokom hladnog vremena. Ali nikada ne koristite otvoreni plamen ili paru.

## 8. Rad na cevima za vodu

### 8.1. Minimalna količina vode

Pogledajte uputstvo za ugradnju unutrašnje jedinice.

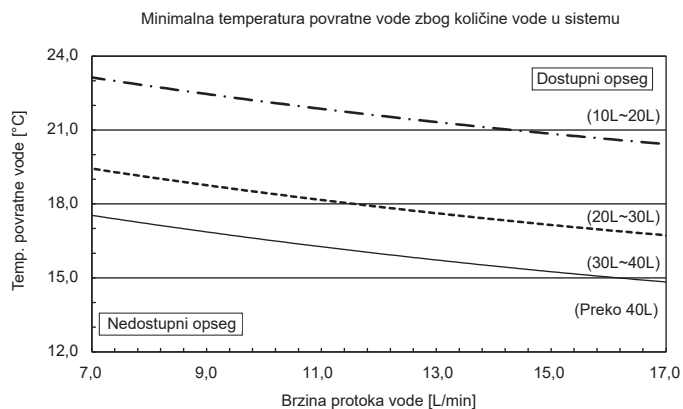
### 8.2. Dostupni opseg (brzina protoka vode, temp. povratne vode)

Obezbedite sledeću brzinu protoka vode i opseg povratne temperature u sistemu za vodu.

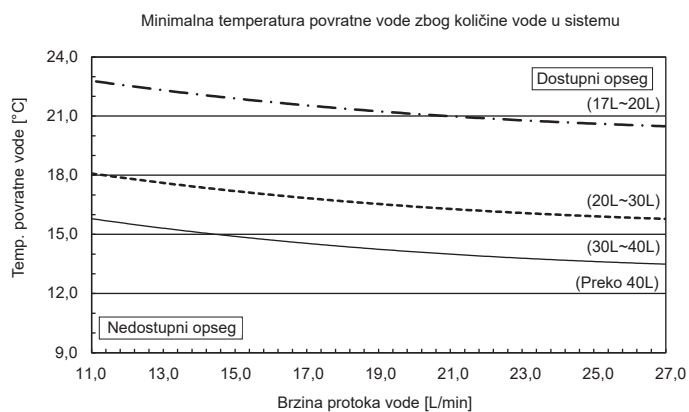
Ove krive se odnose na količinu vode.

#### ■ Grejanje

SUZ-SWM30VA SUZ-SHWM30VAH  
SUZ-SWM40VA2 SUZ-SHWM40VAH  
SUZ-SWM60VA2



SUZ-SWM80VA(H)2  
SUZ-SWM100VA(H)  
SUZ-SHWM60VAH



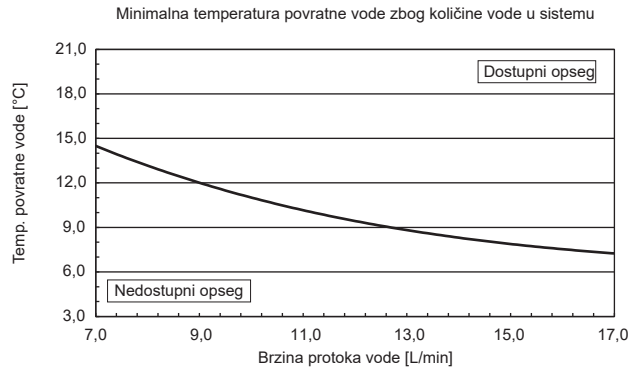
#### Napomena:

- Obavezno izbegavajte nedostupni opseg tokom odmrzavanja.  
U suprotnom, spoljna jedinica nije dovoljno odmrznuta i/ili izmenjivač toplote unutrašnje jedinice može da se zamrzne.
- Temperatura protoka nikada NE SME biti niža od 32°C kada spoljna temperatura padne ispod -15°C.  
Postoji potencijalni rizik od zamrzavanja i oštećenja izmenjivača toplote, a spoljni izmenjivač toplote se takođe može zamrznuti usled nedovoljno odmrzavanja.

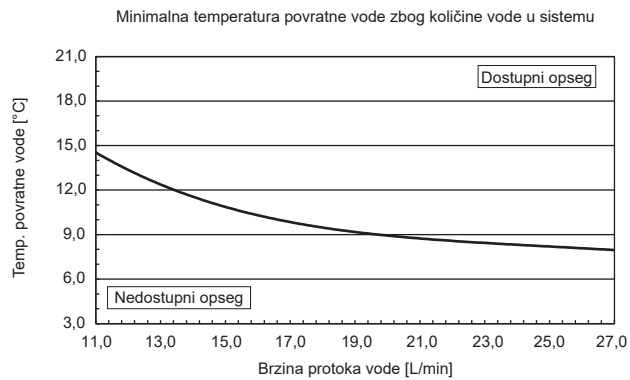
## 8. Rad na cevima za vodu

### ■ Hlađenje

SUZ-SWM30VA SUZ-SHWM30VAH  
SUZ-SWM40VA2 SUZ-SHWM40VAH  
SUZ-SWM60VA2



SUZ-SWM80VA(H)2  
SUZ-SWM100VA(H)  
SUZ-SHWM60VAH



#### Napomena:

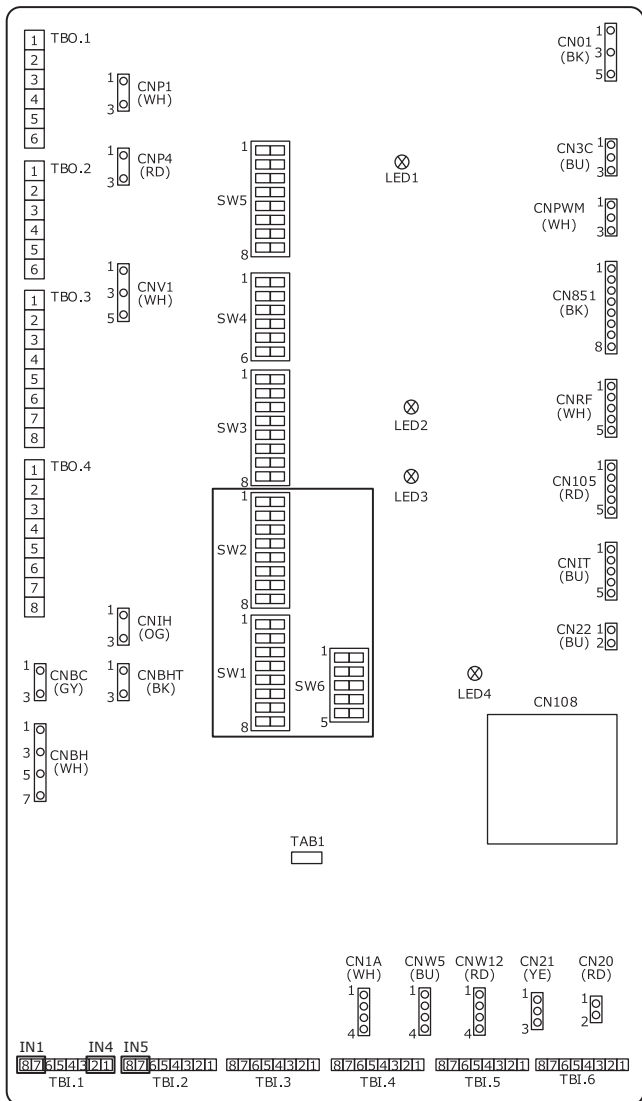
Obavezno izbegavajte nedostupni opseg tokom odmrzavanja.

U suprotnom, spoljna jedinica nije dovoljno odmrznuta i/ili izmenjivač toplote unutrašnje jedinice može da se zamrzne.

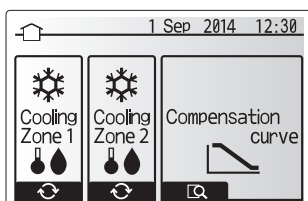
## 9. Ispumpavanje

Prilikom premeštanja ili odlaganja spoljne jedinice, ispumpajte rashladno sredstvo iz sistema pridržavajući se postupka u nastavku kako ne bi došlo do ispuštanja rashladnog sredstva u atmosferu.

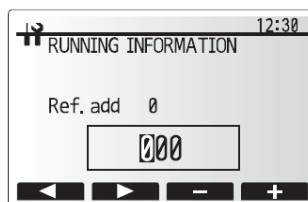
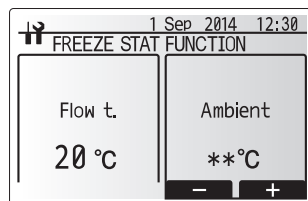
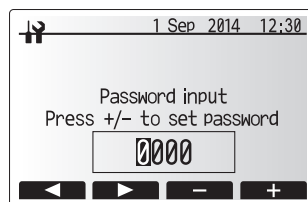
- ① Isključite celokupno dovodno kolo (uklj. unutrašnju jedinicu, grejač, spoljnu jedinicu, itd.)
- ② Povežite ventil razvodnika sa meračem na servisni priključak zaustavnog ventila na strani cevi za gas spoljne jedinice.
- ③ Potpuno zatvorite zaustavni ventil na strani cevi za tečnost spoljne jedinice.
- ④ Promenite podešavanja unutrašnje jedinice.
  - Podesite DIP prekidač SW1-3 na OFF (Isključeno), SW2-1 na OFF (Isključeno), SW2-4 na ON (Uključeno) i SW6-3 na OFF (Isključeno) na unutrašnjoj kontrolnoj tabli.
  - Odvojite ulaze signala IN1 (ulaz sobnog termostata 1), IN4 (ulaz za kontrolu zahteva) i IN5 (ulaz spoljnog termostata).



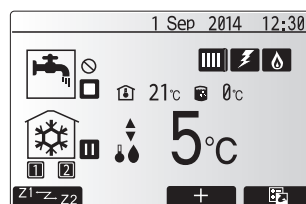
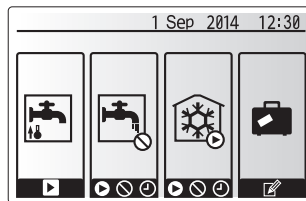
- ⑤ Uključite celokupno dovodno kolo.
- ⑥ Iz glavnog menija na glavnom kontroleru unutrašnje jedinice, izaberite „Heating/cooling mode“ (Režim grejanja/hlađenja) → „Cooling flow temp.“ (Temp. rashladnog protoka).



- ⑦ U glavnom meniju izaberite „Service“ (Servis) i promenite podešavanje kao što je navedeno u nastavku. Dobićete poruku da unesete lozinku. PODRAZUMEVANA FABRIČKA LOZINKA je „0000“.
  - Izaberite „Operation settings“ (Radna podešavanja) → „Freeze stat function“ (Zamrzni stat funkciju), a zatim podesite najnižu spoljnu ambijentalnu temperaturu na \*(zvezdica).
  - Izaberite „Running information“ (Informacije o radu), a zatim postavite referentnu adresu na 351.



- ⑧ Izvršite operaciju izvlačenja rashladne tečnosti.
  - Pritisnite dugme „ON/OFF“ (Uključeno/Isključeno) na glavnom kontroleru.
  - Iz menija sa opcijama, podesite na „Cooling ON“ (Hlađenje uključeno).
  - Podesite ciljnu temperaturu protoka na 5 °C. Ako kontrolu sistema vrši termostat za sobnu temperaturu, podesite ciljnu sobnu temperaturu na 10 °C. Operacija izvlačenja rashladne tečnosti počinje posle 60 sekundi.
  - Za detalje ili druge informacije o podešavanjima glavnog kontrolera, pogledajte uputstvo za ugradnju ili uputstvo za rukovanje za unutrašnju jedinicu.



Nastavak na sledećoj strani.

## 9. Ispumpavanje

- ⑨ Potpuno zatvorite zaustavni ventil na strani cevi za gas spoljne jedinice kada manometar pokaže od 0,05 do 0 MPa [nadpritisak] (pribl. od 0,5 do 0 kgf/cm<sup>2</sup>) i brzo zaustavite spoljnu jedinicu.
- Pritisnite dugme „ON/OFF“ (Uključeno/Isključeno) na daljinskom upravljaču da biste zaustavili spoljnu jedinicu.
  - \* Imajte na umu da kada je produžni cevovod veoma dugačak sa velikom količinom rashladnog sredstva, možda neće biti moguće izvršiti postupak ispumpavanja. U tom slučaju, upotrebite opremu za izvlačenje rashladnog sredstva da biste sakupili svo rashladno sredstvo iz sistema.
- ⑩ Vratite na prethodnu vrednost podešavanje glavnog kontrolera promenjeno u postupku ⑨ iznad.
- ⑪ Pritisnite dugme „ON/OFF“ (Uključeno/Isključeno) i zadržite ga oko 3 sekunde na glavnom kontroleru unutrašnje jedinice da biste zaustavili jedinicu.
- ⑫ Vratite na prethodnu vrednost podešavanja glavnog kontrolera promenjena u bilo kojoj proceduri osim u postupku ⑨.
- \* Kako vratiti „Running information“ (Informacije o radu) na prethodnu vrednost: Postavite referentnu adresu na 350.
- ⑬ Isključite celokupno dovodno kolo i vratite DIP prekidač na ploči unutrašnje jedinice na prethodno podešavanje.
- ⑭ Uklonite ventil razvodnika sa meračem, a zatim odvojite cevi za rashladnu tečnost.



### UPOZORENJE:

U slučaju curenja rashladnog sistema, NEMOJTE vršiti ispumpavanje pomoću kompresora.

Kada se rashladno sredstvo ispumpava, zaustavite kompresor pre odvajanja cevi za rashladno sredstvo.

- Ako su cevi za rashladno sredstvo odvojene dok kompresor radi, a zaustavni ventil (kuglični ventil) je otvoren, pritisak u ciklusu rashlađivanja može da postane izuzetno visok ako se vazduh uvuče, što može da dovede do pucanja cevi, lične povrede, itd.



### OPREZ:

NEMOJTE koristiti ovaj režim HLAĐENJA pri povezivanju sa unutrašnjom jedinicom koja ne dozvoljava režim HLAĐENJA ni za jednu namenu osim ispumpavanja.

## 10. Specifikacije

Spoljni model		SUZ-SWM30VA	SUZ-SHWM30VAH	SUZ-SWM40VA2	SUZ-SHWM40VAH	SUZ-SWM60VA2
Napajanje	V / Faza / Hz	230 / Jednofazno / 50				
Dimenzije (Š × V × D)	mm	800 × 714 × 285				
Nivo jačine zvuka (Grejanje)	*1 dB(A)	57	57	57	58	60
	*2 dB(A)	54	54	54	55	56

Spoljni model		SUZ-SHWM60VAH	SUZ-SWM80VA(H)2	SUZ-SWM100VA(H)
Napajanje	V / Faza / Hz	230 / Jednofazno / 50		
Dimenzije (Š × V × D)	mm	840 × 880 × 330		
Nivo jačine zvuka (Grejanje)	*1 dB(A)	60	60	62
	*2 dB(A)	58	59	60

\*1. Mereno pod nazivnom radnom frekvencijom pri ambijentalnoj temperaturi od 7 °C (temperatura suvog termometra) / 6 °C (temperatura vlažnog termometra) i temperaturi izlazne vode od 55 °C

\*2. Mereno u skladu sa EN12102 pod uslovima EN14825

EU DECLARATION OF CONFORMITY  
EU-KONFORMITÄTSEKTLÄRUNG  
DÉCLARATION DE CONFORMITÉ UE  
EU-CONFORMITEITSVERKLARING  
DECLARACIÓN DE CONFORMIDAD UE  
DICHIARAZIONE DI CONFORMITÀ UE  
ΔΗΛΩΣΗ ΣΥΜΜΟΡΦΩΣΗΣ ΕΕ  
DECLARAÇÃO DE CONFORMIDADE UE  
EU-OVERENSSTEMMELSESEKTLÆRING

EG-DEKLARATION OM ÖVERENSSTÄMMELSE  
AV UYGUNLUK BEYAN  
ДЕКЛАРАЦИЯ СООТВЕТСТВИЯ НОРМАМ ЕС  
ДЕКЛАРАЦІЯ ВІДПОВІДНОСТІ ВИМОГАМ ЄС  
ЕС ДЕКЛАРАЦІЯ ЗА СЪОТВЕТСТВИЕ  
DEKLARACJA ZGODNOŚCI UE  
EU-ERKLÆRING OM SAMSVAR  
EU-VAATIMUSTENMUKAISUUSVAKUUTUS  
EU PROHLÁŠENÍ O SHODĚ

EÚ VYHLÁSENIE O ZHODE  
EU MEGFELELŐSÉGI NYILATKOZAT  
IZJAVA EU O SKLADNOSTI  
DECLARAȚIE DE CONFORMITATE UE  
EL-I VASTAVUSDEKLARATSIOON  
ES ATBILSTĪBAS DEKLARĀCIJA  
ES ATITIKTIES DEKLARĀCIJA  
EU IZJAVA O SUKLADNOSTI  
EU IZJAVA O USAGLAŠENOSTI

**MITSUBISHI ELECTRIC CONSUMER PRODUCTS (THAILAND) CO., LTD**  
**700/406 MOO 7, TAMBON DON HUA ROH, AMPHUR MUANG, CHONBURI 20000, THAILAND**

hereby declares under its sole responsibility that the air conditioner(s) and heat pump(s) for use in residential, commercial, and light-industrial environments described below:  
erklärt hiermit auf seine alleinige Verantwortung, dass die Klimaanlage(n) und Wärmepumpe(n) für das häusliche, kommerzielle und leichtindustrielle Umfeld wie unten beschrieben:  
déclare par la présente et sous sa propre responsabilité que le(s) climatiseur(s) et la/les pompe(s) à chaleur destinés à un usage dans des environnements résidentiels, commerciaux et d'industrie légère décrits ci-dessous :  
verklaart hierbij onder eigen verantwoordelijkheid dat de voor huishoudelijke, handels- en lichtindustriële omgevingen bestemde airconditioner(s) en warmtepomp(en) zoals onderstaand beschreven:

por la presente declara, bajo su exclusiva responsabilidad, que el(los) acondicionador(es) de aire y la(s) bomba(s) de calor previsto(s) para su uso en entornos residenciales, comerciales y de industria ligera que se describen a continuación:

conferma con la presente, sotto la sua esclusiva responsabilità, che i condizionatori d'aria e le pompe di calore destinati all'utilizzo in ambienti residenziali, commerciali e semi-industriali e descritti di seguito:

με το παρόν δηλώνει με αποκλειστική ευθύνη ότι το ή τα κλιματιστικά και η ή οι αντλίες θερμότητας για χρήση σε οικιακά, εμπορικά και επαγγελματικά περιβάλλοντα που περιγράφονται παρακάτω:

declara pela presente, e sob sua exclusiva responsabilidade, que o(s) aparelho(s) de ar condicionado e a(s) bomba(s) de calor destinados a utilização em ambientes residenciais, comerciais e de indústria ligeira descritos em seguida:

erklærer hermed under eneansvar, at det/de herunder beskrevne airconditionanlæg og varmepumpe(r) til brug i beboelses- og erhvervs miljøer samt i miljøer med let industri:

intyggar härmed att luftkonditioneringarna och värmepumparna som beskrivs nedan för användning i bostäder, kommersiella miljöer och lätta industriella miljöer:

ev, ticaret ve hafif sanayi ortamlarında kullanıma yönelik aşağıda açıklanan klima ve ısıtma pompalarıyla ilgili aşağıdaki hususları yalnızca kendi sorumluluğunda olmak üzere beyan eder:

настоящим заявляет под свою исключительную ответственность, что кондиционер (-ы) и тепловой (-ые) насос (-ы) для использования в описанных ниже жилых, коммерческих и небольших складских и промышленных помещениях:

цим заявляю, беручи на себе повну відповідальність за це, що кондиціонер (-и) й тепловий (-и) насос (-и), описані нижче й призначені для використання в житлових приміщеннях, торговельних залах і на підприємствах легкої промисловості:

декларира с настоящата на своя собствена отговорност, че климатикъ(т)е и термомпата(ите), посочени по-долу и предназначени за употреба в жилищни, търговски и лекопромишлени среди:

niniejszym oświadczam na swoją wyłączną odpowiedzialność, że klimatyzatory i pompy ciepła do zastosowań w środowisku mieszkalnym, handlowym i lekko przemysłowym opisane poniżej:

erklærer et fullstendig ansvar for undernevnte klimaapparat og varmepumper ved bruk i boliger, samt kommersielle og lettindustrielle miljøer:

vakuuttaa täten yksinomaista vastuutaan, että jäljempänä kuvutat asuinrakennuksiin, pienteeollisuuskäyttöön ja kaupalliseen käyttöön tarkoitettuihin ilmastointilaitteisiin ja lämpöpumpuihin:

tímto na vlastní odpovědnost prohlašuje, že níže popsané klimatizační jednotky a tepelná čerpadla pro použití v obytných prostředích, komerčních prostředích a prostředích lehkého průmyslu:

týmto na svoju výlučnú zodpovednosť vyhlasuje, že nasledovné klimatizačné jednotky a tepelné čerpadlá určené na používanie v obytných a obchodných priestoroch a v prostredí ľahkého priemyslu:

alulírott kizárólagos felelősségére nyilatkozik, hogy az alábbi lakossági, kereskedelmi és kisipari környezetben való használatra szánt klímaberendezés(ek) és hőszivattyú(k):

na lastno odgovornost izjavlja, da so spodaj opisane klimatske naprave in toplotne črpalke, namenjene za uporabo v stanovanjskih, poslovnih in lahkoindustrijskih okoljih:

declară prin prezenta, pe proprie răspundere, faptul că aparatele de climatizare și pompele de căldură descrise mai jos și destinate utilizării în medii rezidențiale, comerciale și din industria ușoară:

kinnitab oma ainuvastutust, et allpool toodud elu-, äri- ja kergtööstuskeskkondades kasutamiseks mõeldud kliimaseadmed ja soojuspumbad:

ar šo, vienpersoniski uzņemoties atbildību, paziņo, ka tālāk aprakstītais(-tie) gaisa kondicionētājs(-i) un siltumsūkņis(-i) ir paredzēti lietošanai dzīvojamajās, komercdarbības un vieglās rūpniecības telpās, kas aprakstītas tālāk:

šiuo vien tik savo atsakomybe pareiškia, kad toliau apibūdintas (-i) oro kondicionierius (-iai) ir šilumos siurblys (-iai), skirtas (-i) naudoti toliau apibūdintose gyvenamosiose, komercinėse ir lengvosios pramonės aplinkose:

ovime izjavljuje pod isključivom odgovornošću da je/su klimatizacijski uređaji(i) i toplinska dizalica(e) opisan(i) u nastavku namijenjen(i) za upotrebu u stambenim i poslovnim okruženjima te okruženjima lake industrije:

ovim izjavljuje na svoju isključivu odgovornost da su klima-uređaji i toplotne pumpe za upotrebu u stambenim, komercijalnim okruženjima i okruženjima lake industrije opisani u nastavku:

**MITSUBISHI ELECTRIC, SUZ-SWM30VA\*, SUZ-SWM40VA\*, SUZ-SWM60VA\*, SUZ-SWM80VA\*, SUZ-SWM100VA\***  
**SUZ-SHWM30VAH\*, SUZ-SHWM40VAH\*, SUZ-SHWM60VAH\*, SUZ-SWM80VAH\*, SUZ-SWM100VAH\***  
**\* : , , 1, 2, 3, . . . , 9**

is/are in conformity with provisions of the following Union harmonisation legislation.  
die Bestimmungen der folgenden Harmonisierungsrechtsvorschriften der Union erfüllen/

erfüllen.  
est/sont conforme(s) aux dispositions de la législation d'harmonisation de l'Union

suivante.  
voldoet/voldoen aan bepalingen van de volgende harmonisatiewetgeving van de Unie.

cumple(n) con las disposiciones de la siguiente legislación de armonización de la Unión.

sono in conformità con le disposizioni della seguente normativa dell'Unione sull'armonizzazione.

συμμορφώνονται με τις διατάξεις της ακόλουθης νομοθεσίας εναρμόνισης της Ένωσης.

está/estão em conformidade com as disposições da seguinte legislação de harmonização da União.

er i overensstemmelse med bestemmelse i følgende harmoniserede EU-lovgivning.

uppfyller villkoren i följande harmoniserade föreskrifter inom unionen.

აşağıdaki Avrupa Birliği uyumlaştırma mevzuatının hükümlerine uygundur.

соответствуют положениям следующих законодательных актов Союза о гармонизации.

2014/35/EU: Low Voltage Directive  
2006/42/EC: Machinery Directive  
2014/30/EU: Electromagnetic Compatibility Directive  
2011/65/EU, (EU) 2015/863 and (EU) 2017/2102: RoHS Directive  
2009/125/EC: Energy-related Products Directive and Regulation (EU) No 813/2013

відповідають положенням вказаного далі законодавства Союзу щодо гармонізації.  
е/са в съответствие с разпоредбите на следното законодателство на Съюза за

хармонизация.  
są zgodne z przepisami następującego unijnego prawodawstwa harmonizacyjnego.

er i samsvar med forskriftene til følgende EU-lovgivning om harmonisering.

ovat seuraavan unionin yhdenmukaistamislainsäädännön säännösten mukaisia.

jsou v souladu s ustanoveními následujících harmonizačních právních předpisů Unie.

spĺňajú ustanovenia nasledujúcich harmonizovaných noriem EÚ.

megfelel(nek) az Unió alábbi harmonizációs jogszabályi előírásainak.

in skladu z določbami naslednje usklajevalne zakonodaje Unije.

sunt în conformitate cu dispozițiile următoare legislații de armonizare a Uniunii.

vastavad järgmiste Euroopa Liidu ühtlustatud õigusaktide sätetele.

atbilst šādiem ES harmonizētajiem tiesību aktu noteikumiem.

taip pat atitinka kitų toliau išvardytų suderintųjų Sąjungos direktyvų nuostatas.

sukladan(i) odredbama sljedećeg zakonodavstva Unije za sukladnost.

u skladu sa odredbama sledećeg usklađivanja zakonodavstva Unije.

## <ENGLISH>

English is original. The other languages versions are translation of the original.

### ▲ CAUTION

- Refrigerant leakage may cause suffocation. Provide ventilation in accordance with EN378-1.
- Be sure to wrap insulation around the piping. Direct contact with the bare piping may result in burns or frostbite.
- Never put batteries in your mouth for any reason to avoid accidental ingestion.
- Battery ingestion may cause choking and/or poisoning.
- Install the unit on a rigid structure to prevent excessive operation sound or vibration.
- The A-weighted sound pressure level is below 70dB.
- This appliance is intended to be used by expert or trained users in shops, in light industry and on farms, or for commercial use by lay persons.

## <DEUTSCH>

Das Original ist in Englisch. Die anderen Sprachversionen sind vom Original übersetzt.

### ▲ VORSICHT

- Wenn Kältemittel austritt, kann dies zu Ersticken führen. Sorgen Sie in Übereinstimmung mit EN378-1 für Durchlüftung.
- Die Leitungen müssen isoliert werden. Direkter Kontakt mit nicht isolierten Leitungen kann zu Verbrennungen oder Erfrierungen führen.
- Nehmen Sie niemals Batterien in den Mund, um ein versehentliches Verschlucken zu vermeiden.
- Durch das Verschlucken von Batterien kann es zu Erstickungen und/oder Vergiftungen kommen.
- Installieren Sie das Gerät auf einem stabilen Untergrund, um übermäßige Betriebsgeräusche oder -schwingungen zu vermeiden.
- Der A-gewichtete Schalldruckpegel ist niedriger als 70dB.
- Dieses Gerät ist vorgesehen für die Nutzung durch Fachleute oder geschultes Personal in Werkstätten, in der Leichtindustrie und in landwirtschaftlichen Betrieben oder für die kommerzielle Nutzung durch Laien.

## <FRANÇAIS>

L'anglais est l'original. Les versions fournies dans d'autres langues sont des traductions de l'original.

### ▲ PRECAUTION

- Une fuite de réfrigérant peut entraîner une asphyxie. Fournissez une ventilation adéquate en accord avec la norme EN378-1.
- Assurez-vous que la tuyauterie est enveloppée d'isolant. Un contact direct avec la tuyauterie nue peut entraîner des brûlures ou des engelures.
- Ne mettez jamais des piles dans la bouche pour quelque raison que ce soit pour éviter de les avaler par accident.
- Le fait d'ingérer des piles peut entraîner un étouffement et/ou un empoisonnement.
- Installez l'appareil sur une structure rigide pour prévenir un bruit de fonctionnement et une vibration excessifs.
- Le niveau de pression acoustique pondéré est en dessous de 70 dB.
- Cet appareil est conçu pour un utilisateur expert ou les utilisateurs formés en magasin, dans l'industrie légère et dans l'agriculture ou dans le commerce par le profane.

## <NEDERLANDS>

Het Engels is het origineel. De andere taalversies zijn vertalingen van het origineel.

### ▲ VOORZICHTIG

- Het lekken van koelvoelstof kan verstikking veroorzaken. Zorg voor ventilatie in overeenstemming met EN378-1.
- Isoleer de leidingen met isolatiemateriaal. Direct contact met de onbedekte leidingen kan leiden tot brandwonden of bevriezing.
- Stop nooit batterijen in uw mond om inslikking te voorkomen.
- Het inslikken van batterijen kan verstikking of vergiftiging veroorzaken.
- Installeer het apparaat op een stabiele structuur om overmatig lawaai of trillingen te voorkomen.
- Het niveau van de geluidsdruk ligt onder 70 dB(A).
- Dit apparaat is bedoeld voor gebruik door ervaren of opgeleide gebruikers in werkplaatsen, in de lichte industrie en op boerderijen, of voor commercieel gebruik door leken.

## <ESPAÑOL>

El idioma original del documento es el inglés. Las versiones en los demás idiomas son traducciones del original.

### ▲ CUIDADO

- Las pérdidas de refrigerante pueden causar asfixia. Se debe proporcionar la ventilación determinada en EN378-1.
- Asegúrese de colocar el aislante alrededor de las tuberías. El contacto directo con la tubería puede ocasionar quemaduras o congelación.
- Para evitar una ingestión accidental, no coloque las pilas en su boca bajo ningún concepto.
- La ingestión de las pilas puede causar asfixia y/o envenenamiento.
- Coloque la unidad en una estructura rígida para evitar que se produzcan sonidos o vibraciones excesivos debidos a su funcionamiento.
- El nivel de presión acústica ponderado A es inferior a 70 dB.
- Este aparato está destinado a su uso por parte de usuarios expertos o capacitados en talleres, industrias ligeras y granjas, o a su uso comercial por parte de personas no expertas.

## <ITALIANO>

Il testo originale è redatto in lingua Inglese. Le altre versioni linguistiche rappresentano traduzioni dell'originale.

### ▲ ATTENZIONE

- Le perdite di refrigerante possono causare asfissia. Prevedere una ventilazione adeguata in conformità con la norma EN378-1.
- Accertarsi di applicare materiale isolante intorno alle tubature. Il contatto diretto con le tubature non schermate può provocare ustioni o congelamento.
- Non introdurre in nessun caso le batterie in bocca onde evitare ingestioni accidentali.
- L'ingestione delle batterie può provocare soffocamento e/o avvelenamento.
- Installare l'unità su una struttura rigida in modo da evitare rumore o vibrazioni eccessivi durante il funzionamento.
- Il livello di pressione del suono ponderato A è inferiore a 70dB.
- Questa apparecchiatura è destinata all'utilizzo da parte di utenti esperti o addestrati in negozi, industria leggera o fattorie oppure a un uso commerciale da parte di persone non esperte.

## <ΕΛΛΗΝΙΚΑ>

Η γλώσσα του πρωτοτύπου είναι η αγγλική. Οι εκδόσεις άλλων γλωσσών είναι μεταφράσεις του πρωτοτύπου.

### ▲ ΠΡΟΣΟΧΗ

- Η διαρροή του ψυκτικού ενδέχεται να προκαλέσει ασφυξία. Φροντίστε για τον εξαερισμό σύμφωνα με το πρότυπο EN378-1.
- Φροντίστε να τυλίξετε με μονωτικό υλικό τη σωλήνωση. Η απευθείας επαφή με τη γυμνή σωλήνωση ενδέχεται να προκαλέσει εγκαύματα ή κρυοπαγήματα.
- Μη βάζετε ποτέ τις μπαταρίες στο στόμα σας για κανένα λόγο ώστε να αποφύγετε την κατά λάθος κατάποσή τους.
- Η κατάποση μπαταριών μπορεί να προκαλέσει πνιγμό ή/και δηλητηρίαση.
- Εγκαταστήστε τη μονάδα σε σταθερή κατασκευή ώστε να αποφύγετε τον έντονο ήχο λειτουργίας ή τους κραδασμούς.
- Η Α-σταθμισμένη στάθμη ηχητικής πίεσης είναι κάτω των 70dB.
- Η Α-σταθμισμένη στάθμη ηχητικής πίεσης είναι κάτω των 70dB.
- Η συσκευή αυτή προορίζεται για χρήση από εμπειρογούς ή εκπαιδευμένους χρήστες σε καταστήματα, στην ελαφριά βιομηχανία και σε αγροκτήματα, ή για εμπορική χρήση από άτομα τα οποία δεν είναι ειδήμονες.

## <PORTUGUÊS>

O idioma original é o inglês. As versões em outros idiomas são traduções do idioma original.

### ▲ CUIDADO

- A fuga de refrigerante pode causar asfixia. Garanta a ventilação em conformidade com a norma EN378-1.
- Certifique-se de que envolve as tubagens com material de isolamento. O contacto directo com tubagens não isoladas pode resultar em queimaduras ou ulcerações provocadas pelo frio.
- Nunca coloque pilhas na boca, por nenhum motivo, para evitar a ingestão accidental.
- A ingestão de uma pilha pode causar obstrução das vias respiratórias e/ou envenenamento.
- Instale a unidade numa estrutura robusta, de forma a evitar ruídos ou vibrações excessivos durante o funcionamento.
- O nível de pressão sonora ponderado A é inferior a 70 dB.
- Este equipamento destina-se a ser utilizado por especialistas ou utilizadores com formação em lojas, na indústria ligeira e em quintas, ou para utilização comercial por leigos.

## <DANSK>

Engels er originalen. De andre sprogversioner er oversættelser af originalen.

### ▲ FORSIGTIG

- Lækage af kølemiddel kan forårsage kvælning. Sørg for udluftning i overensstemmelse med EN378-1.
- Sørg for at pakke rørene ind i isolering. Direkte kontakt med ubeklædte rør kan forårsage forbrændinger eller forfrysninger.
- Batterier må under ingen omstændigheder tages i munden for at forhindre utilsigtet indtagelse.
- Indtagelse af batterier kan forårsage kvælning og/eller forgiftning.
- Installer enheden på en fast struktur for at forhindre for høje driftslyde eller vibrationer.
- Det A-vægtede lydtrykniveau er under 70dB.
- Dette apparat er beregnet til at blive brugt af eksperter eller udlærte brugere i butikker, inden for let industri og på gårde eller til kommerciel anvendelse af lægmænd.

## <SVENSKA>

Engelska är originalspråket. De övriga språkversionerna är översättningar av originalet.

### ▲ FÖRSIKTIGHET

- Köldmedelsläckage kan leda till kvävning. Tillhandahåll ventilation i enlighet med EN378-1.
- Kom ihåg att linda isolering runt rören. Direktkontakt med bara rör kan leda till brännskador eller köldskador.
- Stoppa aldrig batterier i munnen, de kan sväljas av misstag.
- Om ett batteri sväljs kan det leda till kvävning och/eller förgiftning.
- Montera enheten på ett stadigt underlag för att förhindra höga drift ljud och vibrationer.
- Den A-vägdade ljudtrycksnivån är under 70dB.
- Denna apparat är ämnad för användning av experter eller utbildade användare i affärer, inom lätt industri och på lanbruk, eller för kommersiell användning av lekmän.

## <TÜRKÇE>

Aslı İngilizce'dir. Diğer dillerdeki sürümler aslının çevirisidir.

### ▲ DİKKAT

- Soğutucu kaçağı boğulmaya neden olabilir. EN378-1 uyarınca uygun havalandırma sağlayın.
- Borular etrafına yalıtım yapıldığından emin olun. Borulara doğrudan çıplak elle dokunulması yanıklara veya soğuk ısırıklarına neden olabilir.
- Kazara yutmamak için, pilleri kesinlikle hiçbir amaçla ağzınızda tutmayın.
- Pillerin yutulması boğulmaya ve/veya zehirlenmeye yol açabilir.
- Aşırı çalıma seslerini veya titreşimi önlemek için, üniteyi sağlam bir yapı üzerine monte edin.
- A ağırıklı ses gücü seviyesi 70dB'nin altındadır.
- Bu cihaz tıbbilerde, hafif endüstriyel tesislerde ve çiftliklerde uzman veya eğitimli kullanıcılar tarafından kullanılmak üzere veya normal kullanıcılar tarafından ticari kullanım için tasarlanmıştır.

## <РУССКИЙ>

Языком оригинала является английский. Версии на других языках являются переводом оригинала.

### ▲ ОСТОРОЖНО

- Утечка хладагента может стать причиной удушья. Обеспечьте вентиляцию в соответствии с EN378-1.
- Обязательно оберните трубы изоляционным материалом. Непосредственный контакт с неизолированным трубопроводом может привести к ожогам или обморожению.
- Запрещается класть элементы питания в рот по каким бы то ни было причинам во избежание случайного проглатывания.
- Попадание элемента питания в пищеварительную систему может стать причиной удушья и/или отравления.
- Устанавливайте устройство на жесткую структуру во избежание чрезмерного шума или чрезмерной вибрации во время работы.
- Уровень звукового давления по шкале A не превышает 70 дБ.
- Данное устройство предназначено для использования специалистами или обученным персоналом в магазинах, на предприятиях легкой промышленности и фермах или для коммерческого применения неспециалистами.

## <УКРАЇНСЬКА>

Переклад оригіналу. Текст іншими мовами є перекладом оригіналу.

### ▲ ОБЕРЕЖНО

- Виток холодоагенту може призвести до удушся. Необхідно забезпечити вентиляцію відповідно до стандарту EN 378-1.
- Труби необхідно обмотати ізоляційним матеріалом. Прямий контакт із непокритою трубою може призвести до опіку або обмороження.
- Забороняється класти елементи живлення в рот із будь-яких причин, оскільки є ризик випадково їх проковтнути.
- Попадання елемента живлення в травну систему може стати причиною задхуки та/або отруєння.
- Встановлюйте блок на міцній конструкції, щоб уникнути надмірного рівня звуку роботи або вібрації.
- Рівень амплітудно зваженого акустичного тиску становить нижче 70 дБ.
- Цей прилад призначається для використання спеціалістами або особами, що пройшли відповідне навчання, у кранницях, легкій промисловості та сільськогосподарських підприємствах, а також для комерційного використання неспеціалістами.

## <БЪЛГАРСКИ>

Оригиналът е текстът на английски език. Версиите на други езици са преводи на оригинала.

### ▲ ВНИМАНИЕ

- Изтичането на хладилен агент може да причини задушаване. Осигурете вентилация съобразно с EN378-1.
- Не забравяйте да уветите изолация около тръбите. Директният контакт с оголени тръби може да причини изгаряне или измръзване.
- При никакви обстоятелства не поставяйте батериите в устата си, за да не ги поглънете по невнимание.
- Това може да доведе до задушаване и/или натравяне.
- Монтирайте тялото върху твърда конструкция, за да предотвратите прекомерен шум или вибрации по време на работа.
- А-претегленото ниво на звуково налягане е под 70 dB.
- Този уред е предназначен за използване от експерти или обучени потребители в магазини, в леката промисленост и във ферми, или за търговска употреба от неспециалисти.





Please be sure to put the contact address/telephone number on this manual before handing it to the customer.

**mitsubishi electric corporation**

HEAD OFFICE: TOKYO BUILDING, 2-7-3, MARUNOUCHI, CHIYODA-KU, TOKYO 100-8310, JAPAN