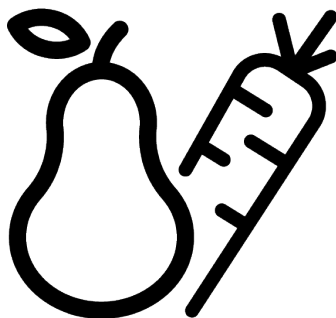




**Refrigerator** / User Manual

**Congélateur / Réfrigérateur** / Manuel d'utilisation

**Refrigerador** / Manual del usuario



IB55 732 W\_IB55 732 X

58 99983600/ EN/ FR/ ES/ 1/4\_AB/ 28/11/23 14:58  
7294840702\_7294840704



# Please read this manual first!

**Dear Customer**

**Please read this manual before using the product.**

Thank you for choosing this product. We would like you to achieve the optimal efficiency from this high quality product which has been manufactured with state of the art technology. To do this, carefully read this manual and any other documentation provided before using the product and keep it as a reference.

Heed all information and warnings in the user manual. This way, you will protect yourself and your product against the dangers that may occur.

Keep the user manual. Include this manual with the unit if you hand it over to someone else.

**The following symbols are used in the user manual:**



Hazard that may result in death or injury.



Important information or useful tips on operation.







Read the user manual.



Combustible material, warning against fire hazard.

NOTICE A hazard that may cause material damage to the product or its surroundings

  <b>SUPPLIER'S NAME</b> <b>MODEL IDENTIFIER</b> → (*)  	<p>The model information as stored in the product data base can be reached by entering following website and searching for your model identifier (*) found on energy label.</p> <p><a href="https://eprel.ec.europa.eu/">https://eprel.ec.europa.eu/</a></p>
--	--

## Table of Contents

<b>1</b>	<b>Safety Instructions.....</b>	<b>4</b>
1.1	Intention of Use .....	4
1.2	Safety of Children, Vulnerable Persons and Pets .....	4
1.3	Electrical Safety.....	5
1.4	Handling Safety .....	5
1.5	Installation Safety.....	6
1.6	Operational Safety.....	8
1.7	Food Storage Safety.....	10
1.8	Maintenance and Cleaning Safety	11
1.9	Disposal of the Old Product.....	12
<b>2</b>	<b>Environmental Instructions.....</b>	<b>12</b>
2.1	Compliance with the WEEE Dir- ective and Disposing of the Waste Product .....	12
<b>3</b>	<b>Your Refrigerator .....</b>	<b>13</b>
<b>4</b>	<b>Installation .....</b>	<b>13</b>
4.1	Right Place For Installation.....	14
4.2	Electrical Connection .....	14
4.3	Attaching the Plastic Wedges .....	14
4.4	Adjusting the Legs.....	14
4.5	Hot Surface Warning.....	15
<b>5</b>	<b>Changing Door Direction .....</b>	<b>15</b>
<b>6</b>	<b>Preparation.....</b>	<b>15</b>
6.1	What To Do For Energy Saving .....	15
6.2	First Use .....	16
6.3	Climate Class and Definitions .....	16
<b>7</b>	<b>Operating the Product.....</b>	<b>17</b>
<b>8</b>	<b>Use of Your Appliance.....</b>	<b>17</b>
8.1	Control Panel of the Product .....	17
8.2	Defrosting .....	18
8.3	Storing Food in the Cooler Com- partment.....	18
8.4	Replacing the Illumination Lamp..	23
8.5	Reversing the Door Opening Side.	23
8.6	Humidity Controlled Crisper .....	23
8.7	Crisper Technologies .....	23
8.8	The ice storage area.....	23
<b>9</b>	<b>Maintenance and Cleaning .....</b>	<b>24</b>
<b>10</b>	<b>Troubleshooting.....</b>	<b>25</b>

## 1 Safety Instructions

- This section includes the safety instructions necessary to prevent the risk of personal injury or material damage.
- Our company shall not be held responsible for damages that may occur if these instructions are not observed.



Always have installation and repair operations performed by manufacturer, authorized service or a person who will be described by importer company.



Use original spare parts and accessories only.



Do not repair or replace any component of the product unless it is clearly specified in the user manual.



Do not perform any modifications on the product.

### 1.1 Intention of Use

- This product is not suitable for commercial use and should not be used for a purpose other than its intended use.
- This product is intended for operating interiors, such as households or similar.

For example;

In the staff kitchens of the stores, offices and other working environments,

In farm houses,  
In the units of hotels, motels or other resting facilities that are used by the customers,  
In hostels, or similar environments,  
In catering services and similar non-retail applications.

- This product shall not be used in open or enclosed external environments such as vessels, camper vans, balconies or terraces. Exposing the product to rain, snow, sunlight and wind may cause risk of fire.



### 1.2 Safety of Children, Vulnerable Persons and Pets

- This product may be used by children aged 8 years and older and persons with underdeveloped physical, sensory or mental capabilities or lack of experience and knowledge if they are being supervised or have been given instruction concerning use of the appliance in a safe way and the hazards involved.
- Children between 3 and 8 years are allowed to put and take out food into/from the cooler product.

- Children and pets must not play with, climb on, or get inside the product.
- Children and pets must be kept away from the cabin area (compressor) where electrical parts are located.
- Cleaning and user maintenance must not be performed by children unless there is someone overseeing them.
- Keep the packaging materials away from children. Risk of injury and suffocation.
- Portable multi-plugs or portable power supplies may overheat and cause fire. Thus, do not have a multi-plug, portable power sources behind or in the vicinity of the product.
- Do not plug the product's power cord in a loose or damaged power outlet. These types of connections may overheat and cause fire.
- The plug shall be easily accessible. If this is not possible, a mechanism that meets the electrical legislation and that disconnects all terminals from the mains (fuse, switch, main switch, etc.) shall be available on the electrical installation.

### **1.3 Electrical Safety**

- The product shall not be plugged into the outlet during installation, maintenance, cleaning, repair, and transportation operations.
- If the power cable is damaged, it shall only be replaced by authorized service to avoid any risks that may occur.
- Do not tuck the power cable under the product or to the rear of the product. Do not put heavy items on the power cable. The power cable should not be bent, crushed, and come into contact with any heat source.
- Do not use an extension cord, multi-plug or adaptor to operate your product.
- Do not use the product when your feet are bare or your body is wet.
- Do not touch the plug with wet hands.
- When unplugging the appliance, don't hold the power cord, but the plug.

### **1.4 Handling Safety**

- Make sure to unplug the appliance before carrying the product.

- This product is heavy, do not handle it by yourself. Injuries may occur if the product falls on you. Do not bump into places or drop the product while transporting it.
- Always close the doors and do not hold the product by its doors while transporting it.
- Be careful not to damage the cooling system and the pipes while handling the product. Do not operate the product if the pipes are damaged, and contact an authorized service.
- Check for any damage on the product before installing it. Do not have the product installed if it is damaged.
- Always use personal protective equipment (gloves, etc.) during product installation, maintenance and repair. Risk of Injury!
- Place the product on a clean, level and hard surface and balance it with the adjustable legs (by rotating the front feet to the right or left). Otherwise, the refrigerator may tip over and cause injuries.

## 1.5 Installation Safety

- Contact the Authorized Service for the product's installation. To prepare the product for use, see the information in the user manual and make sure the electric and water utilities are as required. If not, call a qualified electrician and plumber to arrange the utilities as necessary. Failure to do so may result in electric shock, fire, problems with the product, or injury.
- This product is designed for use at a maximum altitude of 2000 metres above sea level.
- Keep children away from installation area.
- The product shall be installed in a dry and ventilated environment. Do not keep carpets, rugs or similar covers under the product. This may cause risk of fire as a result of inadequate ventilation!
- Do not block or cover ventilation holes. Otherwise, power consumption increases and your product may be damaged.
- When placing the product, make sure that the supply cable is not damaged or pinched.
- The product must not be connected to supply systems and power sources which may cause sudden voltage changes (i.e. a portable solar-energy power source). Otherwise,

damage to your product may occur as a result of the abrupt voltage fluctuations!

- The more refrigerant a refrigerator contains, the bigger its installation room shall be. In very small rooms, a flammable gas-air mixture may occur in case of a gas leak in the cooling system. At least 1 m<sup>3</sup> of volume is required for each 8 grams of refrigerant. The amount of the refrigerant available in your product is specified in the Type Label.
- The product must never be placed in such a way that power cables, the metal hose of the gas stove, metal gas or water pipes come into contact with the product's rear wall (or the condenser).
- The installation place of the product must not be exposed to direct sunlight and it shall not be in the vicinity of a heat source such as stoves, radiators, etc. If you cannot prevent installation of the product in the vicinity of a heat source, use a suitable insulation plate and make sure the minimum distance to the heat source is as specified below:
  - At least 30 cm away from heat sources such as stoves, ovens, heating units and heaters, etc.,
  - And at least 5 cm away from electrical ovens.
- Your product has the protection class of I.
- Plug the product in a grounded socket that conforms with the Voltage, Current and Frequency values specified in the type label. The socket must have a 10A – 16A fuse. Our firm will not assume responsibility for any damages due to usage without earthing and without power connection in compliance with local and national regulations.
- The product's power cable must be unplugged during installation. Otherwise, risk of electric shock and injury may occur!
- Do not plug the product's power cord in loose, dislocated, broken, dirty, oily power outlets which have a risk of water contact. These types of connections may cause overheating and fire.
- Place the power cable and hoses (if any) of the product so that they shall not cause a risk of tripping over.

- Penetration of humidity and liquid to live parts or to the power cord may cause short circuit. Thus, do not use the product in humid environments or in areas where water may splash (e.g. garage, laundry room, etc.) If the refrigerator is wet by water, unplug it and contact an authorized service.
- Do not ever connect your refrigerator to power saving devices. These systems are harmful for the product.
- There is a risk of contact with electrical parts when removing the electronic board cover and the compressor rear cover (if fitted). Do not remove the electronic board cover and the compressor rear cover (if fitted). There is a risk of electrocution!
- Do not place a source of flame (e.g. candles, cigarettes, etc.) on the product or in the vicinity of it.
- Do not get on the product. Risk of falling and injury!
- Do not cause damage to the pipes of the cooling system using sharp and piercing tools. The refrigerant that sprays out in case of puncturing the gas pipes, pipe extensions or upper surface coatings may cause irritation of skin and injury to the eyes.
- Do not place and operate electrical appliances inside the refrigerator/freezer unless it is advised by the manufacturer.
- Do not jam any parts of your hands or your body to the moving parts inside the product. Be careful to prevent jamming of your fingers between the refrigerator and its door. Be careful while opening or closing the door if there are children around.
- Do not put ice cream, ice cubes or frozen food to your mouth as soon as you take them out of the freezer. Risk of frostbite!

## 1.6 Operational Safety

- Do not ever use chemical solvents on the product. These materials contain an explosion risk.
- In case of a failure of the product, unplug it and do not operate until it is repaired by the authorized service. There is a risk of electric shock!



- Do not touch the inner walls, metal parts of the freezer or food kept inside the freezer with wet hands. Risk of frost-bite!
- Do not place soda cans or cans and bottles that contain fluids that may be frozen to the freezer compartment. Cans or bottles may explode. Risk of injury and material damage!
- Do not use or place materials sensitive against temperature such as flammable sprays, flammable objects, dry ice or other chemical agents in the vicinity of the refrigerator. Risk of fire and explosion!
- Do not store explosive materials such as aerosol cans with flammable materials inside the product.
- Do not place cans containing fluids over the product an open state. Splashing of water on an electrical part may cause an electric shock or a fire.
- Due to risk of breaking, do not store glass containers with liquid inside in the freezer compartment.
- This product is not intended for storage and cooling of medicines, blood plasma, laboratory preparations or similar materials and products that are subject to the Medical Products Directive.
- If the product is used against its intended purpose, it may cause damage to or deterioration of the products stored inside.
- If your refrigerator is equipped with blue light, do not look at this light with optical devices. Do not stare directly at UV LED light for a long time. Ultraviolet rays may cause eye strain.
- Do not fill the product with more contents than its capacity. Injuries or damages may occur if the contents of the refrigerator fall when the door is opened. Similar problems may also occur when an object is placed over the product.
- Ensure that you have removed any ice or water that may have fallen to the floor to prevent injuries.
- Change the locations of the racks/bottle racks on the door of your refrigerator only when the racks are empty. Danger of injury!
- Do not place objects that may fall/tip over on the product. These objects may fall while opening or closing the door and cause injuries and/or material damages.

- Do not hit or exert excessive pressure on glass surfaces. Broken glass may cause injuries and/or material damages.
- The cooling system in your product contains R600a refrigerant. The refrigerant type used in the product is specified in the type label. This gas is flammable. Therefore, be careful not to damage the cooling system and the pipes while operating the product. In case of damage to the pipes;
  1. Do not touch the product or the power cable.
  2. Keep the product away from potential sources of fire that may cause the product to catch fire.
  3. Ventilate the area where the product is placed. Do not use a fan.
  4. Contact Authorized Service.
 If the product is damaged and you observe gas leak, please stay away from the gas. Gas may cause frostbite if it contacts your skin.  
 Before disposing of old products that shall not be used any more:
  1. Unplug the power cord from the mains socket.
  2. Cut the power cable and remove it from the appliance together with the plug.
- 3. Do not remove the racks and drawers from the product to prevent children from getting inside the appliance.
- 4. Remove the doors.
- 5. Store the product so that it shall not be tipped over.
- 6. Do not allow children to play with the scrapped product.
- Do not dispose of the product by throwing it into fire. Risk of explosion.
- If there is a lock available on the product's door, keep the key out of children's reach.

### 1.7 Food Storage Safety

Please pay attention to the following warnings to avoid food spoilage:

- Leaving the doors open for a long time may cause the temperature inside the product to rise.
- Regularly clean the accessible drainage systems in contact with food.
- Clean the water tanks that have not been used for 48 hours and mains-fed water systems that have not been used for more than 5 days.
- Store raw meat and fish products in appropriate compartments within the product.

Thus, it does not drip on or come into contact with other foods.

- Two-star freezer compartments are used for storing pre-filled foods, making and storing ice and ice cream.
- One, two and three-star compartments are not appropriate for freezing fresh food.
- If the cooling product has been left empty for a long time, turn off the product, defrost, clean, and dry the product in order to protect the housing of the product.

## 1.8 Maintenance and Cleaning Safety

- Unplug the refrigerator before cleaning it or starting to perform maintenance.
- Do not pull by the door handle if you shall move the product for cleaning purposes. Handle may cause injuries if it is pulled too hard.
- Do not put your hands etc. under the refrigerator. Jamming may occur or any sharp edge may cause personal injuries.
- Do not clean the product by spraying or pouring water on the product and inside the product. Risk of electric shock and fire.
- When cleaning the product, do not use sharp and abrasive tools or household cleaning agents, detergent, gas, gasoline, thinner, alcohol, varnish, and similar substances. Use only cleaning and maintenance agents that are not harmful for food inside the product.
- Do not ever use steam or steamed cleaning materials for cleaning the product and thawing the ice inside it. Steam contacts the live areas in your refrigerator and causes short circuit or electric shock.
- Do not use any mechanical tools or any other tools than the recommendations of the manufacturer to speed up the defrost operation.
- Take care to keep water away from the ventilation holes, electronic circuits or lighting of the product.
- Use a clean, dry cloth to wipe the dust or foreign material on the tips of the plugs. Do not use a wet or damp piece of cloth to clean the plug. Otherwise, risk of fire or electric shock may occur.



### 1.9 Disposal of the Old Product

When disposing of your old product follow the instructions below:

- To prevent children from accidentally locking themselves into the product, if there is door lock, disable it.
- Splash of coolant is harmful to the eyes. Do not damage any part of the cooling system while disposing of the product.

- It may be fatal if the compressor oil is swallowed or if it penetrates the respiratory tract.
- Cooling system of your product includes R600a gas as specified in the type label. This gas is flammable. Do not dispose of the product by throwing it into fire. Risk of explosion!
- C-Pentane is used as a blowing agent in insulation foam and it is a flammable substance. Do not dispose of the product by throwing it into fire.

## 2 Environmental Instructions

### 2.1 Compliance with the WEEE Directive and Disposing of the Waste Product



This product complies with EU WEEE Directive (2012/19/EU). This product bears a classification symbol for waste electrical and electronic equipment (WEEE).

This symbol indicates that this product shall not be disposed with other household wastes at the end of its service life. Used device must be returned to official collection point for recycling of electrical and electronic devices. To find these collection systems please contact to your local authorities or retailer where the product was purchased. Each household performs important role in recovering and recycling of old appliance. Appropriate disposal of used

appliance helps prevent potential negative consequences for the environment and human health.

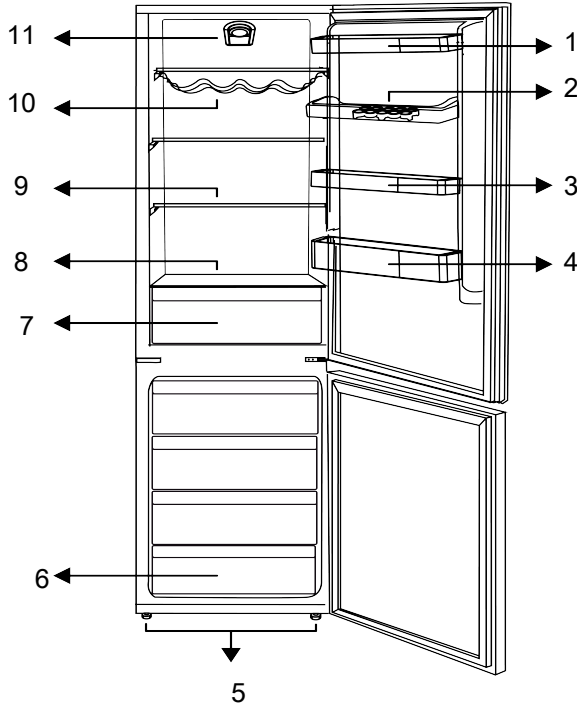
### Compliance with RoHS Directive

The product you have purchased complies with EU RoHS Directive (2011/65/EU). It does not contain harmful and prohibited materials specified in the Directive.



### Package information


Packaging materials of the product are manufactured from recyclable materials in accordance with our National Environment Regulations. Do not dispose of the packaging materials together with the domestic or other wastes. Take them to the packaging material collection points designated by the local authorities.



- 1 Door Shelf
- 2 Egg holder
- 3 Door Shelf
- 4 Bottle Shelf
- 5 Adjustable Legs
- 6 Frozen Food Drawers
- 7 Dairy Products Compartment
- 8 Cooler Compartment Cover and Glass
- 9 Adjustable Shelf
- 10 Bottle Shelf
- 11 Temperature Adjustment Control

**\*Optional:** Figures in this user manual are schematic and may not exactly match your product. If your product does not comprise the relevant parts, the information pertains to other models.

### 4 Installation

 Read the "Safety Instructions" section first!

## 4.1 Right Place For Installation

Contact the Authorized Service for the product's installation. To prepare the product for installation, see the information in the user manual and make sure the electric and water utilities are as required. If not, call an electrician and plumber to arrange the utilities as necessary.



### WARNING:

The manufacturer assumes no responsibility for any damages caused by the work carried out by unauthorized persons.



### WARNING:

The product's power cable must be unplugged during installation. Failure to do so may result in death or serious injuries!



### WARNING:

If the door span is too narrow for the product to pass, remove the door and turn the product sideways; if this does not work, contact the authorized service.

- Place the product on a flat surface to avoid vibration.
- Place the product at least 30 cm away from the heater, stove and similar sources of heat and at least 5 cm away from electric ovens.
- Do not expose the product to direct sunlight or keep it in damp environments.
- Your product requires adequate air circulation to function efficiently. If the product will be placed in an alcove, remember to leave at least 5 cm clearance between the product and the ceiling, rear wall and the side walls.
- Check if the rear wall clearance protection component is present at its location (if provided with the product).
- If the component is not available, or if it is lost or fallen, position the product so that at least 5 cm clearance shall be left between the rear surface of the product

and the wall of the room. The clearance at the rear is important for efficient operation of the product.

## 4.2 Electrical Connection



Do not use extension or multi sockets in power connection.



Damaged power cable must be replaced by Authorized Service.

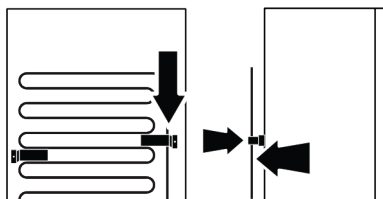


When placing two coolers in adjacent position, leave at least 4 cm distance between the two units.

- Our firm will not assume responsibility for any damages due to usage without earthing and power connection in compliance with national regulations.
- The power cable plug must be easily accessible after installation.
- Do not use multi-group plug with or without extension cable between the wall socket and the refrigerator.

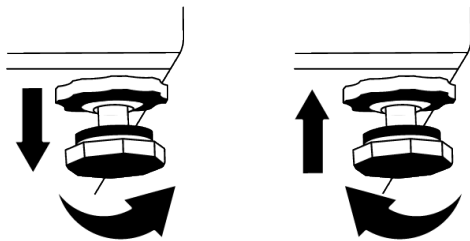
## 4.3 Attaching the Plastic Wedges

The condenser of the refrigerator is located at the rear. To minimize power consumption and increase energy efficiency the top of the condenser must be pulled back and secured as shown in the picture. When the condenser is pulled backwards, the brackets at the top right and left locks and the condenser's position is secured.



## 4.4 Adjusting the Legs

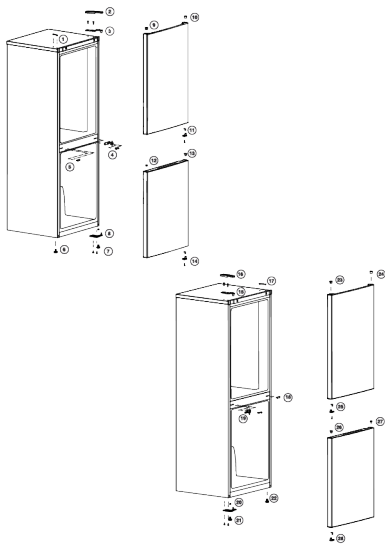
If the product is not in balanced position, adjust the front adjustable legs by rotating them to right or left.



#### 4.5 Hot Surface Warning

The side walls of your product are equipped with cooler pipes to enhance the cooling system. High pressure fluid may flow through these surfaces, and cause hot surfaces on the side walls. This is normal and it does not require servicing. Be careful when you contact these areas.

## 5 Changing Door Direction



## 6 Preparation



Read the "Safety Instructions" section first!

### 6.1 What To Do For Energy Saving

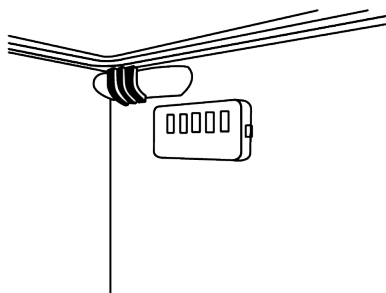


Connecting the product to electronic energy-saving systems is harmful, as it may damage the product.

- This refrigerating appliance is not intended to be used as a built in appliance.
- Do not keep the refrigerator doors open for long periods.
- Do not place hot food or beverages into the refrigerator.
- Do not overfill the refrigerator; blocking the internal air flow will reduce cooling capacity.
- Since hot and humid air will not directly penetrate into your product when the doors are not opened, your product will optimize itself in conditions sufficient to protect your food. Under these circumstances, functions and components such as compressor, fan, heater, defrost, lighting, display and so on will operate according to the needs by consuming minimum energy.
- In case that multiple options are present, glass shelves must be placed so that the air outlets at the rear wall are not blocked

and preferably, in a way that air outlets remain below the glass shelf. This combination may help improving air distribution and energy efficiency.

- Using the below drawer when storing is strongly recommended.
- Depending on the product's features; defrosting frozen foods in the cooler compartment will ensure energy saving and preserve food quality.
- In order to load the maximum quantity of food into the freezer compartment of your refrigerator, the upper drawers may be taken out and the food should be placed onto the wire/glass shelves.
- Make sure the foods are not in contact with the cooler compartment temperature sensor described below.



- If they are in contact with the sensor, energy consumption of the appliance might increase
- Food shall be stored using the drawers in the cooler compartment in order to ensure energy saving and protect food in better conditions.
- Food packages shall not be in direct contact with the temperature sensor located in the freezer compartment.

## 6.2 First Use

Before using your refrigerator, make sure the necessary preparations are made in line with the instructions in "Safety and Environmental Instructions" and "Installation" sections.

- Keep the product running without placing any food inside for 6 hours and do not open the door, unless absolutely necessary.
- The temperature change caused by opening and closing of the door while using the product may normally lead to condensation on door/body shelves and glassware placed in the product.

**i** A sound will be heard when the compressor is engaged. It is normal for the product to make noise even if the compressor is not running, as fluid and gas may be compressed in the cooling system.

**i** It is normal for the front edges of the refrigerator to be warm. These areas are designed to warm up in order to prevent condensation.

**i** For some models, indicator panel turns off automatically 1 minute after the door closes. It will be reactivated when the door is opened or any button is pressed.

## 6.3 Climate Class and Definitions

Please refer to the Climate Class on the rating plate of your device. One of the following information is applicable to your device according to the Climate Class.

- **SN**: Long Term Temperate Climate: This cooling device is designed for use at ambient temperatures between 10 °C and 32 °C.
- **N**: Temperate Climate: This cooling device is designed for use at ambient temperatures between 16°C and 32 °C.
- **ST**: Subtropical Climate: This cooling device is designed for use at ambient temperatures between 16°C and 38°C.
- **T**: Tropical Climate: This cooling device is designed for use at ambient temperatures between 16°C and 43°C.



## 7 Operating the Product



Read the "Safety Instructions" section first!

- Do not use any mechanical tools or any other tools than the recommendations of the manufacturer to speed up the defrost operation.
- Do not use parts of your refrigerator such as the door or drawers as a support or a step. This may cause the product to trip over or its components to be damaged.
- The product shall be used for storing food only.

- Turn off the water valve if you will be away from home (e.g. at vacation) and you will not be using the Icematic or the water dispenser for a long period of time. Otherwise, water leaks may occur.

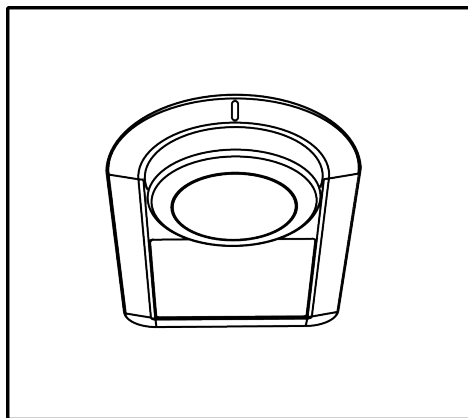
### Unplugging the Product

- If you are not going to use the product for a long time, unplug the product from the socket.
- Remove the food to prevent odours,
- Wait for the ice to melt, clean the interior and let it dry, leave the doors open to avoid damaging the inner body plastics.

## 8 Use of Your Appliance

### 8.1 Control Panel of the Product

The operating temperature is set by the temperature control.



Warm ← ● 1 ● 2 ● 3 ● 4 ● 5 → Cold  
(Or) Min. Max.

0=System cooling off

1=Lowest cooling setting (Warmest setting)

5=Highest cooling setting (Coldest setting)

The average temperature inside the cooler compartment should be around +4°C. Please select a setting based on the desired temperature.

Please note that there will be different temperatures in the cooling area.

The coldest zone is just above the crisper.

The interior temperature also depends on the ambient temperature, how often the door is opened, and the amount of food stored in the refrigerator.

Frequent opening of the door causes the internal temperature to rise.

It is therefore recommended that you close the door as soon as possible after opening it for any reason.

The internal temperature of your refrigerator can change due to the following reasons:

- Seasonal temperatures;
- Opening the door frequently and leaving it open for a long time;
- Placing foods in the refrigerator without waiting for them to reach room temperature;
- The location of the refrigerator in the room (e.g. exposure to sunlight).

You can adjust the varying internal temperature due to such reasons using the thermostat.

The MIN set is defined as the Winter Setting for use at ambient temperatures

lower than 12°C.

Do not use MIN set above 12°C ambient.

- the combination of drawers, baskets and shelves that result in the most efficient use of energy for the refrigerating appliance;
- clear guidance about where and how to store foodstuffs in a refrigerating appliance for best preservation over the longest period, to avoid food waste;
- a description of the effects of special modes and features, and in particular how temperatures are affected in each compartment and for how long;

## 8.2 Defrosting

### A) Cooler Compartment

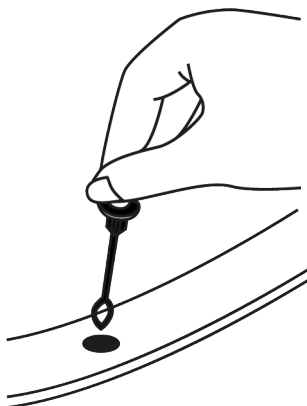
Defrosting of the refrigerator compartment is done automatically. During defrosting, water drops may form at the rear of the refrigerator compartment where the hidden evaporator is located. Some drops may remain on the liner and refreeze when defrosting is complete. Do not allow objects in the refrigerator to come into contact with the back wall as the water drops will cause them to get wet. Do not use pointed or sharp objects such as knives, forks, etc. to remove frozen drops.

When defrost water does not drain from the collection channel, check to make sure that food particles do not block the drain pipe. The drain pipe can be cleaned by pushing the special plastic plunger provided down the drain pipe. If the ice layer reaches 1/4" (7 mm) thick, lower the setting to restart automatic defrosting.

### 8.3 Storing Food in the Cooler Compartment

#### Storing Food in the Cooler Compartment

- Compartment temperatures rise prominently if compartment door is opened and closed frequently and kept open for a long time, this can reduce the life span of the food and cause the food to spoil.
- In order not to cause odour and taste changes, the food should be stored in the closed containers.



### B) Freezer compartment

Defrosting is very simple and hassle-free thanks to a special defrost collection container.

Defrost twice a year or when a layer of ice around 7 (1/4") mm has formed. To start the defrosting procedure, disconnect the appliance from the power outlet and pull out the mains plug.

All food should be wrapped in several layers of newspaper and stored in a cold place (e.g. refrigerator or pantry).

To speed up the defrosting process, containers of hot water can be carefully placed inside the freezer.

Do not use pointed or sharp objects such as knives or forks to remove ice.

Never use a hair dryer, electric heater or similar electrical appliances for defrosting.

Sponge off any defrost water that has accumulated under the freezer compartment. After defrosting, dry the interior completely.

- Do not store too much food in your refrigerator. To achieve a better and homogeneous cooling, place the food separately in a way that cold air can wander through them.
- Provide air flow by leaving a space between the food and internal wall. If you lean the food against the rear wall, the food may freeze.

- Bring cooked hot meals to the room temperature before placing them in the refrigerator. Then, you can place the tepid meal in the lower shelves of your refrigerator. Do not place the tepid meals close to the foods which may easily spoil.
- Especially pay attention not to mix the foods sold as frozen with the fresh foods.
- Defrost your frozen food in the fresh food compartment. Thereby, you can cool fresh food compartment by using frozen food and save energy.
- Storing unripe tropical fruits (mango, melon varieties, papaya, banana, pineapple) in the refrigerator may speed up the ripening process. This is not recommended because it will cause shorter storage time.
- You should store onions, garlics, gingers and other root vegetables in dark and cold room conditions, not in the refrigerator.
- If you notice that a food has spoiled in the refrigerator, throw away that food and clean the accessories which have come into contact with it.
- In order to cool the meals like soups and stews, which are cooked in the large pots, quickly, you can put them in the refrigerator by separating them into their own shallow containers.
- Do not place unpackaged food close to eggs.
- Keep the fruits and vegetables separately and store each variety together (for example; apples with apples, carrots with carrots).
- Take green vegetables out of the plastic bag and place them in the refrigerator after wrapping them in a paper towel or drying cloth. If you wash this type of food before placing them in the refrigerator, remember to dry them.
- You can both create a damp environment and provide an air flow by keeping fruits and vegetables, which are prone to drying, in the perforated or unsealed plastic bags.
- Except the cases where extreme circumstances are available in the environment, if your product (on the recommended set values table) is set to the specified set values, the food keep their freshness for a longer time both in the fresh product compartment and freezer compartment.

Store Foods In The Different Places According To Their Properties:	
Food	Location
Egg	Door Shelf
Dairy products (butter, cheese)	If available, zero degree (for breakfast food) compartment
Fruits, vegetables and greenery	Fruit-vegetable compartment, crisper or EverFresh+ compartment (if available)
Fresh meat, poultry, fish, sausage etc. Cooked foods	If available, zero degree (for breakfast food) compartment
Ready to serve foods, packaged products, canned foods and pickles	Top shelves or door shelf
Beverages, bottles, spices and snacks	Door Shelf

### Storing Food In The Freezer Compartment

- You can activate Quick Freezing function 4-6 hours before freezing function and perform a faster cooling.
- Bring hot meals to the room temperature before placing them in the freezer compartment.
- Foods to be frozen must be divided into portions according to a size to be consumed, and frozen in separate packages.

- It is recommended to pack the foods before placing them in the freezer.
- In order to prevent expiration of storage time, write the freezing date, time and name of the product on the package according to the storage times of different foods.
- Consume the foods you have defrosted quickly. Defrosted foods cannot be frozen again unless they are cooked. It is not safe to consume the refrozen fresh foods without cooking after they are defrosted.
- As you freeze fresh foods, do not bring them in contact with already frozen foods. Otherwise, frozen foods will be defrosted.

### **Storing The Foods, Which Are Sold Frozen**

- Always follow the instructions of the producer in relation to the time during which you are required to store your foods. Do not exceed the time specified in these instructions!
  - In order to protect the quality of the food, keep the time interval between purchasing transaction and storing as short as possible.
- Buy frozen food which are stored at  $-18^{\circ}\text{C}$  or lower temperatures.
  - Avoid buying foods whose packages are covered with ice etc. This means that the product could be partially defrosted and refrozen. Temperature impacts the quality of the food.
  - Do not exceed the storing time recommended by the food producer. Remove only the food as much as you need from the freezer.
  - Except the cases where extreme circumstances are available in the environment, if your product (on the recommended set values table) is set to the specified set values, the food keep their freshness for a longer time both in the fresh product compartment and freezer compartment.
  - If fresh food compartment is set to a lower temperature, fresh fruits and vegetables may be partially frozen.
  - The two-star compartments are suitable for pre-frozen food. Ice cream and ice cubes can be stored.
  - Do not freeze food in compartments with one, two and three-stars.

Meat and Fish		Preparation	Longest storage time (month)		
Meat Products	Veal	Steak	By cutting them 2 cm thick and placing foil between them or wrapping tightly with stretch	6-8	
		Roast	By packing the pieces of meat in a refrigerator bag or wrapping them tightly with stretch	6-8	
		Cubes	In small pieces	6-8	
		Schnitzel, chops	By placing foil between cut slices or wrapping individually with stretch	6-8	
	Mutton	Chops	By placing foil between meat pieces or wrapping individually with stretch	4-8	
		Roast	By packing the pieces of meat in a refrigerator bag or wrapping them tightly with stretch	4-8	
		Cubes	By packing the shredded meats in a refrigerator bag or wrapping them tightly with stretch	4-8	
	Beef	Roast	By packing the pieces of meat in a refrigerator bag or wrapping them tightly with stretch	8-12	
		Steak	By cutting them 2 cm thick and placing foil between them or wrapping tightly with stretch	8-12	
		Cubes	In small pieces	8-12	
		Boiled meat	By packaging in small pieces in a refrigerator bag	8-12	
	Mince		Without seasoning, in flat bags	1-3	
	Offal (piece)		In pieces	1-3	
	Fermented sausage - Salami		It should be packaged even if it has casing.	1-3	
Jambon		By placing foil between cut slices	2-3		
Poultry and hunting animals	Chicken and Turkey		By wrapping in foil	4-6	
	Goose		By wrapping in foil (portions should not exceed 2.5 kg)	4-6	
	Duck		By wrapping in foil (portions should not exceed 2.5 kg)	4-6	
	Deer, Rabbit, Roe Deer		By wrapping in foil (portions should not exceed 2.5 kg, and their bones should be separated)	6-8	
Fish and seafood	Freshwater fish (Trout, Carp, Crane, Catfish)		After thoroughly cleaning the inside and scales, it should be washed and dried, and the tail and head parts should be cut when necessary.	2	
	Lean fish (Sea bass, Turbot, Sole)			4-6	
	Fatty fish (Bonito, Mackerel, Bluefish, Red Mullet, Anchovy)			2-4	
	Shellfish			Cleaned and in bags	4-6
	Caviar			In its packaging, in an aluminium or plastic container	2-3

"The storage times specified in the table are based on the storage temperature of -18°C. "

Fruits and Vegetables	Preparation	Longest storage time (month)
String bean and Pole bean	By shock boiling for 3 minutes after washing and cutting into small pieces	10-13
Green pea	By shock boiling for 2 minutes after shelling and washing	10-12
Cabbage	By shock boiling for 1-2 minute(s) after cleaning	6-8
Carrot	By shock boiling for 3-4 minutes after cleaning and cutting into slices	12
Pepper	By boiling for 2-3 minutes after cutting the stem, dividing into two and separating the seeds	8-10
Spinach	By shock boiling for 2 minutes after washing and cleaning	6-9
Leek	By shock boiling for 5 minutes after chopping	6-8
Cauliflower	By shock boiling in a little lemon water for 3-5 minutes after separating the leaves, cutting the core into pieces	10-12
Eggplant	By shock boiling for 4 minutes after washing and cutting into 2cm pieces	10-12
Squash	By shock boiling for 2-3 minutes after washing and cutting into 2cm pieces	8-10
Mushroom	By lightly sauteing in oil and squeezing lemon on it	2-3
Corn	By cleaning and packing in cob or granular	12
Apple and Pear	By shock boiling for 2-3 minutes after peeling and slicing	8-10
Apricot and Peach	Divide in half and extract the seeds	4-6
Strawberry and Raspberry	By washing and shelling	8-12
Baked fruit	By adding 10% sugar in the container	12
Plum, Cherry, Sour Cherry	By washing and shelling the stalks	8-12

"The storage times specified in the table are based on the storage temperature of -18°C. "

Dairy Products	Preparation	Longest Storage Time (Month)	Storage Conditions
Cheese (except feta cheese)	By placing foil therebetween, in slices	6-8	It can be left in its original packaging for short term storage. For long-term storage it should also be wrapped in aluminium or plastic foil.
Butter, margarine	In its own packaging	6	In its own packaging or in plastic containers

"The storage times specified in the table are based on the storage temperature of -18°C. "

"The amount of fresh food that can be frozen for a certain period of time is specified on the type label."

### Freezer Details

As per the IEC 62552 standards, the freezer must have the capacity to freeze 4,5 kg of food items at -18°C or lower temperatures

at 25°C room temperature in 24 hours for each 100 litres of freezer compartment volume.

Food products can only be preserved for extended periods at or below temperature of -18 °C.

You can keep the foods fresh for months (in freezer at or below temperatures of -18 °C).

The food products to be frozen must not contact the already-frozen food inside to avoid partial defrosting.

Boil the vegetables and filter the water to extend the frozen storage time. Place the food in air-tight packages after filtering and place in the freezer. Bananas, tomatoes, lettuce, celery, boiled eggs, potatoes and similar food items should not be frozen. In case these foods are frozen, only nutritional values and eating qualities will be negatively affected. A rotting that would threaten human health is not in question.

**Placing The Food**

**Freezer compartment shelves:**Different frozen foods like meat, fish, ice cream, vegetables etc.

**Cooler compartment shelves:**Food items inside pots, capped plate and capped cases, eggs (in closed case)

**Cooler compartment door shelves:**Small and packaged food or beverages

**Crisper:**Vegetables and fruits

**Fresh food compartment:**Delicatessen (breakfast food, meat products to be consumed in short time)

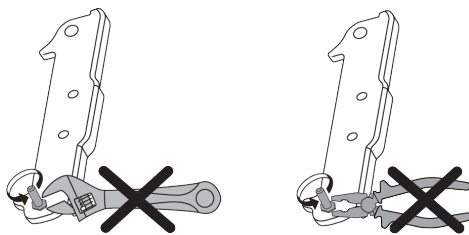
**8.4 Replacing the Illumination Lamp**

Call the Authorized Service when the Bulb/LED used for lighting in your refrigerator will be replaced.

Lamp(s) used in this appliance cannot be used for house lighting. Intended use of this lamp is to help the user place food into the refrigerator / freezer safely and comfortably.

**8.5 Reversing the Door Opening Side**

The door opening side of your refrigerator can be reversed according to the place you put it. When you need this, you should definitely call the nearest Authorized Service.



**8.6 Humidity Controlled Crisper**

In this system, the air/moisture permeable material that is used in the double-layer crisper cover transmits the moist air that is collected on the crisper ceiling and that causes condensation in the crisper cover interlayer, and some of the moist air is vented out through the openings on the crisper cover. In this way, both the moisture balance in the crisper is provided and the condensation on the ceiling is minimized.

**8.7 Crisper Technologies**

**Blue Light**

Fruits and vegetables stored in the crispers that are illuminated with a blue light continue their photosynthesis by means of the wavelength effect of blue light and thus preserve their vitamin content.

Fruits and vegetables stored in crispers illuminated with the technology preserve their vitamins for a longer time thanks to the blue, green, red lights and dark cycles, which simulate a day cycle.

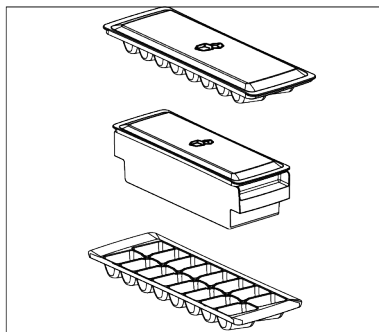
When the door of your refrigerator is opened during the dark period of the technology, your refrigerator shall sense this automatically and illuminate the crisper with one of the blue, green or red lights respectively for your convenience. After you have closed the door of the refrigerator, the dark period will continue, representing the night time in a day cycle.

**8.8 The ice storage area Ice Container**

Ice bucket allows you take ice easily from the refrigerator.

### Using the ice bucket

1. Take the ice bucket out of the freezer compartment.
2. Fill the ice bucket with water.
3. Place the ice bucket into the freezer compartment. The ice will be ready after approximately two hours.
4. Take the ice bucket from the freezer compartment and bend in slightly over the holder that you are going to serve. Ice will easily pour into the serving holder.



## 9 Maintenance and Cleaning



### WARNING:

Read the "Safety Instructions" section first.



### WARNING:

Unplug the refrigerator before cleaning it.

- Do not use sharp or abrasive tools to clean the product. Do not use materials such as household cleaning agents, soap, detergents, gas, gasoline, thinner, alcohol, wax, etc.
- The dust shall be removed from the ventilation grill on the rear of the product at least once a year (without opening the cover). Clean the product with a dry cloth.
- Take care to keep water away from the lamp's cover and other electrical parts.
- Clean the door with a damp cloth. Remove all contents to remove the door and body racks. Remove the door racks by lifting them upwards. Clean and dry the shelves, then attach back in place by sliding from above.
- Do not use chlorinated water or cleaning products on the exterior surface and chrome-coated parts of the product. Chlorine will cause rust on such metallic surfaces.
- Do not use sharp and abrasive tools, soap, house cleaning materials, detergents, gas, gasoline, varnish and similar

substances to prevent deformation of the plastic part and removal of prints on the part. Use warm water and a soft cloth for cleaning, and then dry it.

- On the products without a No-Frost feature, water droplets and icing up to a thickness of a finger may occur on the rear wall of the freezer compartment. Do not clean, and never apply oils or similar materials.
- Use a mildly dampened micro-fibre cloth to clean the external surface of the product. Sponges and other types of cleaning clothes may cause scratches.
- To clean all removable components during the cleaning of the interior surface of the product, wash these components with a mild solution consisting of soap, water and carbonate. Wash and dry thoroughly. Prevent contact of water with illumination components and the control panel.



### CAUTION:

Do not use vinegar, rubbing alcohol or other alcohol based cleaning agents on any interior surface.

### Stainless Steel External Surfaces

Use a non-abrasive stainless steel cleaning agent and apply it with a soft lint-free cloth. To polish, gently wipe the surface with a mi-



cro-fibre cloth dampened with water and use dry polishing chamois. Always follow the veins of the stainless steel.

### Preventing Odours

The product is manufactured free of any odorous materials. However, keeping the food in inappropriate sections and improper cleaning of internal surfaces may lead to odours.

- To avoid this, clean the inside with carbonated water every 15 days.

## 10 Troubleshooting

Check this list before contacting the service. Doing so will save you time and money. This list includes frequent complaints that are not related to faulty workmanship or materials. Certain features mentioned herein may not apply to your product.

### The refrigerator is not working.

- The power plug is not fully settled. >>> Plug it in to settle completely into the socket.
- The fuse connected to the socket powering the product or the main fuse is blown. >>> Check the fuse.

### Condensation on the side wall of the cooler compartment (MULTI ZONE, COOL CONTROL and FLEXI ZONE).

- The door is opened too frequently. >>> Take care not to open the product's door too frequently.
- The environment is too humid. >>> Do not install the product in humid environments.
- Foods containing liquids are kept in unsealed holders. >>> Keep the foods containing liquids in sealed holders.
- The product's door is left open. >>> Do not keep the product's door open for long periods.
- The thermostat is set to a very cool temperature. >>> Set the thermostat to an appropriate temperature.

- Keep the foods in sealed holders, as micro-organisms arising from foods kept in unsealed containers will cause bad odour.
- Do not keep expired and spoiled foods in the refrigerator.

### Protecting Plastic Surfaces

Oil spilled on plastic surfaces may damage the surface and must be cleaned immediately with warm water.

### Compressor is not working.

- In case of sudden power failure or pulling the power plug off and putting back on, the gas pressure in the product's cooling system is not balanced, which triggers the compressor thermic safeguard. The product will restart after approximately 6 minutes. If the product does not restart after this period, contact the service.
- Defrosting is active. >>> This is normal for a fully-automatic defrosting product. The defrosting is carried out periodically.
- The product is not plugged in. >>> Make sure the power cord is plugged in.
- The temperature setting is incorrect. >>> Select the appropriate temperature setting.
- The power is out. >>> The product will continue to operate normally once the power is restored.

### The refrigerator's operating noise is increasing while in use.

- The product's operating performance may vary depending on the ambient temperature variations. This is normal and not a malfunction.

### The refrigerator runs too often or for too long.

- The new product may be larger than the previous one. Larger products will run for longer periods.
- The room temperature may be high. >>> The product will normally run for long periods in higher room temperature.

- The product may have been recently plugged in or a new food item is placed inside. >>> The product will take longer to reach the set temperature when recently plugged in or a new food item is placed inside. This is normal.
- Large quantities of hot food may have been recently placed into the product. >>> Do not place hot food into the product.
- The doors were opened frequently or kept open for long periods. >>> The warm air moving inside will cause the product to run longer. Do not open the doors too frequently.
- The freezer or cooler door may be ajar. >>> Check that the doors are fully closed.
- The product may be set to a temperature that is too low. >>> Set the temperature to a higher degree and wait for the product to reach the adjusted temperature.
- The cooler or freezer door washer may be dirty, worn out, broken or not properly settled. >>> Clean or replace the gasket. Damaged / torn door washer will cause the product to run for longer periods to preserve the current temperature.

**The freezer temperature is very low, but the cooler temperature is adequate.**

- The freezer compartment temperature is set to a very low degree. >>> Set the freezer compartment temperature to a higher degree and check again.

**The cooler temperature is very low, but the freezer temperature is adequate.**

- The cooler compartment temperature is set to a very low degree. >>> Set the cooler compartment temperature to a higher degree and check again.

**The food items kept in cooler compartment drawers are frozen.**

- The cooler compartment temperature is set to a very low degree. >>> Set the cooler compartment temperature to a higher degree and check again.

**The temperature in the cooler or the freezer is too high.**

- The cooler compartment temperature is set to a very high degree. >>> Temperature setting of the cooler compartment has an effect on the temperature in the freezer compartment. Wait until the temperature of relevant parts reach the sufficient level by changing the temperature of cooler or freezer compartments.
- The doors were opened frequently or kept open for long periods. >>> Do not open the doors too frequently.
- The door may be ajar. >>> Fully close the door.
- The product may have been recently plugged in or a new food item is placed inside. >>> This is normal. The product will take longer to reach the set temperature when recently plugged in or a new food item is placed inside.
- Large quantities of hot food may have been recently placed into the product. >>> Do not place hot food into the product.

**Shaking or noise.**

- The surface is not flat or durable >>> If the product is shaking when moved slowly, adjust the stands to balance the product. Also make sure the ground is sufficiently durable to bear the product.
- Any items placed on the product may cause noise. >>> Remove any items placed on the product.
- The product is making noise of liquid flowing, spraying etc.
- The product's operating principles involve liquid and gas flows. >>> This is normal and not a malfunction.

**There is sound of wind blowing coming from the product.**

- The product uses a fan for the cooling process. This is normal and not a malfunction.

### **There is condensation on the product's internal walls.**

- Hot or humid weather will increase icing and condensation. This is normal and not a malfunction.
- The doors were opened frequently or kept open for long periods. >>> Do not open the doors too frequently; if open, close the door.
- The door may be ajar. >>> Fully close the door.

### **There is condensation on the product's exterior or between the doors.**

- The ambient weather may be humid, this is quite normal in humid weather. >>> The condensation will dissipate when the humidity is reduced.

### **The interior smells bad.**

- The product is not cleaned regularly. >>> Clean the interior regularly using sponge, warm water and carbonated water.
- Certain holders and packaging materials may cause odour. >>> Use holders and packaging materials without free of odour.
- The foods were placed in unsealed holders. >>> Keep the foods in sealed holders. Microorganisms may spread out of unsealed food items and cause bad odour.
- Remove any expired or spoilt foods from the product.

## **DISCLAIMER / WARNING**

Some (simple) failures can be adequately handled by the end-user without any safety issue or unsafe use arising, provided that they are carried out within the limits and in accordance with the following instructions (see the "Self-Repair" section).

Therefore, unless otherwise authorized in the "Self-Repair" section below, repairs shall be addressed to registered professional repairers in order to avoid safety issues. A registered Professional repairer is a professional repairer that has been granted access to the instructions and spare parts list of this product by the manufacturer ac-

### **The door is not closing.**

- Food packages may be blocking the door. >>> Relocate any items blocking the doors.
- The product is not standing in full upright position on the ground. >>> Adjust the stands to balance the product.
- The surface is not flat or durable >>> Make sure the surface is flat and sufficiently durable to bear the product.

### **The crisper is jammed.**

- The food items may be in contact with the upper section of the drawer. >>> Re-organize the food items in the drawer.

### **Temperature on the product surface.**

- High temperature may be observed between two doors, on the side panels and on the rear grill area while your product is operated. This is normal and it does not require servicing.

### **Fan continues to operate when the door is opened.**

- Fan may continue to operate when the freezer door is open.



**WARNING:** If the problem persists after following the instructions in this section, contact your vendor or an Authorized Service. Do not try to repair the product. This is normal.

ording to the methods described in legislative acts pursuant to Directive 2009/125/EC.

**However, only the service agent (i.e. authorized professional repairers) that you can reach through the phone number given in the user manual/warranty card or through your authorized dealer may provide service under the guarantee terms. Therefore, please be advised that repairs by professional repairers (who are not authorized by) shall void the guarantee.**

**Self-Repair**

Self-repair can be done by the end-user with regard to the following spare parts: door handles, door hinges, trays, baskets and door gaskets (an updated list is also available as of 1st March 2021).

Moreover, to ensure product safety and to prevent risk of serious injury, the mentioned self-repair shall be done following the instructions in the user manual for self-repair or which are available in . For your safety, unplug the product before attempting any self-repair.

Repair and repair attempts by end-users for parts not included in such list and/or not following the instructions in the user manuals for self-repair or which are available in , might give rise to safety issues not attributable to , and will void the warranty of the product.

Therefore, it is highly recommended that end-users refrain from the attempt to carry out repairs falling outside the mentioned list of spare parts, contacting in such cases authorized professional repairers or registered professional repairers. On the contrary, such attempts by end-users may cause safety issues and damage the product and subsequently cause fire, flood, electrocution and serious personal injury to occur.

By way of example, but not limited to, the following repairs must be addressed to authorized professional repairers or registered professional repairers: compressor, cooling circuit, main board, inverter board, display board, etc.

The manufacturer/seller cannot be held liable in any case where end-users do not comply with the above.

The spare part availability of the refrigerator that you purchased is 10 years. During this period, original spare parts will be available to operate the refrigerator properly

The minimum duration of guarantee of the refrigerator that you purchased is 24 months.

This product is equipped with a lighting source of the "G" energy class.

The lighting source in this product shall only be replaced by Professional repairer.

See also

2 DISCLAIMER / WARNING [ ] 28]

## Premièrement veuillez lire ce manuel !

**Cher client, chère cliente,**

**Veuillez lire ce manuel avant d'utiliser l'appareil.**

Nous vous remercions d'avoir choisi ce produit. Nous aimerions que vous obteniez une efficacité optimale de ce produit de haute qualité qui a été fabriqué avec une technologie de pointe. À cette fin, lisez attentivement ce manuel et toute autre documentation fournie avant d'utiliser le produit et conservez-les comme référence.

Tenez compte de toutes les informations et de tous les avertissements figurant dans le manuel d'utilisation. De cette façon, vous vous protégez, vous et votre produit, contre les dangers qui peuvent survenir.

Conservez le manuel d'utilisation. Joignez ce guide à l'unité si vous le remettez à quelqu'un d'autre.

**Les symboles suivants sont utilisés dans le manuel d'utilisation :**



Il s'agit d'un danger qui peut entraîner la mort ou des blessures.



Informations importantes ou conseils utiles sur le fonctionnement.







Lisez le manuel d'utilisation.



Matériau combustible, mise en garde contre le risque d'incendie.

**AVERTISSEMENT** Un danger qui peut causer des dommages matériels au produit ou à son environnement

		Les informations sur le modèle, telles qu'elles sont enregistrées dans la base de données des produits, peuvent être obtenues en accédant au site web suivant et en recherchant l'identifiant du modèle (*) figurant sur l'étiquette énergétique.
SUPPLIER'S NAME	MODEL IDENTIFIER → (*)	
		<a href="https://eprel.ec.europa.eu/">https://eprel.ec.europa.eu/</a>

## Table des matières

<b>1</b>	<b>Consignes de sécurité.....</b>	<b>34</b>
1.1	Intention d'utilisation.....	34
1.2	Sécurité des enfants, des personnes vulnérables et des animaux domestiques.....	34
1.3	Sécurité électrique.....	35
1.4	Sécurité de manipulation .....	36
1.5	Sûreté des installations .....	36
1.6	Sécurité de fonctionnement .....	39
1.7	Sécurité du stockage des aliments .....	42
1.8	Sécurité relative à l'entretien et au nettoyage .....	42
1.9	Mise au rebut de l'ancien produit .	43
<b>2</b>	<b>Instructions environnementales..</b>	<b>44</b>
2.1	Conformité avec la directive DEEE et élimination des déchets..	44
<b>3</b>	<b>Votre réfrigérateur .....</b>	<b>45</b>
<b>4</b>	<b>Installation .....</b>	<b>45</b>
4.1	Lieu idéal d'installation .....	45
4.2	Branchement électrique.....	46
4.3	Fixation des cales en plastique ....	46
4.4	Réglages des pieds avant.....	47
4.5	Attention aux surfaces chaudes...	47
<b>5</b>	<b>Changement de direction de la porte.....</b>	<b>47</b>
<b>6</b>	<b>Préparation.....</b>	<b>47</b>
6.1	Moyens d'économiser l'énergie....	48
6.2	Première utilisation .....	48
6.3	Classe climatique et définitions ...	49
<b>7</b>	<b>Fonctionnement de l'appareil.....</b>	<b>49</b>
<b>8</b>	<b>Utilisation de votre appareil.....</b>	<b>49</b>
8.1	Panneau de contrôle du produit ...	49
8.2	Dégivrage .....	50
8.3	Stockage des aliments dans le compartiment réfrigérant.....	51
8.4	Remplacement de la lampe d'éclairage.....	56
8.5	Inversion du côté d'ouverture de la porte .....	57
8.6	bac à légumes avec contrôle d'humidité .....	57
8.7	Technologies Crisper .....	57

8.8 La zone de stockage de la glace... 57

**9 Entretien et nettoyage .....** **58**

**10 Dépannage .....** **59**

FR

## 1 Consignes de sécurité

Cette section contient les instructions de sécurité nécessaires à la prévention des risques de dommage corporel ou de dommage matériel.

Notre entreprise ne peut être tenue pour responsable des dommages qui peuvent se produire si ces instructions ne sont pas respectées.

Les opérations d'installation et de réparation doivent être effectuées par un service agréé.

Utilisez uniquement des pièces de rechange et des accessoires d'origine.

Les pièces de rechange originales sont fournies pendant les 10 années suivant la date d'achat de l'appareil.

Évitez de réparer ou de remplacer tout composant de l'appareil sauf si cela est clairement spécifié dans le manuel d'utilisation.

Il ne faut pas effectuer de modifications sur l'appareil.

### 1.1 Intention d'utilisation

Ce produit ne convient pas à un usage commercial et ne doit pas être utilisé autrement que pour l'usage auquel il est destiné. Ce

produit est conçu pour être utilisé à l'intérieur, dans les foyers et dans des endroits similaires.

Par exemple ;

- cuisines du personnel des magasins, bureaux et autres environnements professionnels,
- les maisons de campagne,
- unités des hôtels, motels ou autres installations de repos utilisées par les clients,
- hôtels ou environnements similaires,
- services de restauration et les espaces semblables de vente en gros.

Ces appareils ne doivent pas être utilisés dans des environnements extérieurs ouverts ou clôturés tels que les bateaux, balcons ou terrasses. L'exposition de l'appareil à la pluie, à la neige, au soleil et au vent présente un risque d'incendie.

### 1.2 Sécurité des enfants, des personnes vulnérables et des animaux domestiques



- Cet appareil peut être utilisé par des enfants âgés d'au moins 8 ans, ainsi que par des personnes avec des capacités physiques, sensorielles ou

- mentales réduites ou sans expérience et connaissances, si elles sont supervisées ou ont été formées à l'utilisation sécurisée de l'appareil et comprennent les risques relatifs.
- Les enfants de 3 à 8 ans sont autorisés à mettre les aliments dans la glacière et à les enlever.
  - Les enfants et les animaux domestiques ne doivent pas jouer avec le produit, ni grimper dessus, ni y entrer.
  - Les enfants et les animaux domestiques doivent être tenus à l'écart de la zone de la cabine (compresseur) où se trouvent les pièces électriques.
  - Le nettoyage et l'entretien des utilisateurs ne doivent pas être effectués par des enfants, sauf s'il y a une personne qui les surveille.
  - Tenez les emballages hors de la portée des enfants. Risque de blessure et d'asphyxie .

### 1.3 Sécurité électrique

- Il ne faut pas brancher le produit dans la prise de courant pendant les opérations d'installation, d'entretien, de nettoyage, de réparation et de transport.
- Si le câble d'alimentation est endommagé, il doit être remplacé par un service agréé uniquement pour éviter tout risque qui pourrait survenir.
- Ne placez pas le câble d'alimentation sous l'appareil ou à l'arrière de celui-ci. Ne placez aucun objet lourd sur le câble d'alimentation. Le câble d'alimentation ne doit pas être plié, écrasé et entrer en contact avec une source de chaleur.
- N'utilisez pas de rallonge, de prise multiple ou d'adaptateur pour faire fonctionner votre appareil.
- Les prises multiples mobiles ou les blocs d'alimentation portatifs peuvent surchauffer et causer un incendie. Par conséquent, ne placez pas de multiprises ou de sources d'alimentation portables derrière ou à proximité de l'appareil.
- Ne branchez pas le cordon d'alimentation du produit dans une prise de courant mal fixée ou endommagée. Ces types de connexions peuvent surchauffer et provoquer un incendie..
- La prise doit être facilement accessible. Si cela n'est pas possible, l'installation électrique doit être dotée d'un mécanisme conforme à la réglementation en matière d'électri-



cité et qui déconnecte toutes les bornes du réseau (fusible, interrupteur, commutateur principal, etc.).

- Le produit ne doit pas être utilisé avec un dispositif de commutation externe tel qu'une minuterie ou un système télécommandé.
- N'utilisez pas l'appareil lorsque vous avez les pieds nus ou le corps mouillé.
- Évitez de toucher le cordon d'alimentation avec des mains humides.
- Lorsque vous débranchez l'appareil, ne tenez pas le cordon d'alimentation, mais la prise.

#### 1.4 Sécurité de manipulation

- Assurez-vous de débrancher l'appareil avant de le transporter.
- Cet appareil est lourd, ne le manipulez pas seul. Vous risquez de vous blesser si le produit tombe sur vous. Ne heurtez pas l'appareil et ne le faites pas tomber pendant son transport.
- Fermez toujours les portes et ne tenez pas l'appareil par ses portes lorsque vous le transportez.

- Veillez à ne pas endommager le système de refroidissement et les tuyaux lorsque vous manipulez l'appareil. Évitez de faire fonctionner l'appareil si les tuyaux sont endommagés et contactez un service agréé.

#### 1.5 Sûreté des installations

- Contactez le service agréé pour l'installation de votre réfrigérateur. Pour préparer l'appareil à l'utilisation, lisez attentivement les instructions du manuel d'utilisation et assurez-vous que les équipements électriques et d'approvisionnement d'eau sont installés convenablement. Si ce n'est pas le cas, appelez un électricien et un plombier qualifiés pour faire le nécessaire. Le non-respect de cette consigne peut entraîner un choc électrique, un incendie, des problèmes avec le produit ou des blessures.
- Ce produit est conçu pour une utilisation à une altitude maximale de 2 000 mètres au-dessous du niveau de la mer.
- Tenez les enfants à l'écart de la zone d'installation.

- Vérifiez que l'appareil n'est pas endommagé avant de l'installer. N'installez pas l'appareil lorsqu'il est endommagé.
- Utilisez toujours un équipement de protection individuelle (gants, etc.) pendant l'installation, l'entretien et la réparation du produit. Risque de blessures !
- Placez le produit sur une surface propre, plane et dure et équilibrez-le à l'aide des pieds réglables (en tournant les pieds avant vers la droite ou la gauche). Sinon, le réfrigérateur risque de se renverser et provoquer des blessures.
- Installez l'appareil dans un endroit sec et ventilé. Ne laissez pas de tapis, de moquettes ou d'autres revêtements similaires sous l'appareil. Ils peuvent entraîner un risque d'incendie en raison d'une ventilation inadéquate !
- N'obstruez pas ou ne couvrez pas les orifices de ventilation. Sinon, la consommation d'énergie risque d'augmenter et votre produit pourrait être endommagé.
- Lorsque vous installez le produit, veillez à ce que le câble d'alimentation ne soit pas endommagé ou pincé.
- Le produit ne doit pas être connecté à des systèmes d'alimentation et à des sources d'énergie susceptibles de provoquer des variations soudaines de tension (par exemple, une source d'énergie solaire portable). Autrement, votre appareil pourrait être endommagé par les fluctuations brusques de la tension !
- Plus un réfrigérateur contient de réfrigérant, plus grande doit être la pièce d'installation. Dans les très petites pièces, un mélange gaz-air inflammable peut se produire en cas de fuite de gaz dans le système de refroidissement. Au moins 1 m<sup>3</sup> de volume est requis pour chaque 8 grammes de réfrigérant. La quantité de réfrigérant disponible dans votre appareil est indiquée sur la plaque signalétique.
- Le produit ne doit jamais être placé de manière à ce que les câbles électriques, le tuyau métallique de la cuisinière à gaz, les tuyaux métalliques de gaz ou d'eau entrent en contact avec la paroi arrière du produit (ou le condenseur).
- Le lieu d'installation du produit ne doit pas être exposé à la lumière directe du soleil et ne doit pas se trouver à proximité

d'une source de chaleur telle qu'un poêle, un radiateur, etc. Si vous ne pouvez pas empêcher l'installation du produit à proximité d'une source de chaleur, utilisez une plaque isolante appropriée et assurez-vous que la distance minimale par rapport à la source de chaleur est conforme aux spécifications ci-dessous.

- À au moins 30 cm des sources de chaleur telles que les cuisinières, les fours, les appareils de chauffage, etc.
- Et à au moins 5 cm des fours électriques.
- Votre produit a la classe de protection I.
- Branchez le produit dans une prise avec mise à la terre conforme aux valeurs de tension, de courant et de fréquence indiquées sur la plaque signalétique. La prise de courant doit être équipée d'un fusible de 10 à 16A. Notre entreprise ne sera pas tenue responsable de tout dommage résultant de l'utilisation de l'appareil sans prise de mise à la terre et sans branchement électrique conforme aux normes locales et nationales en vigueur.
- Débranchez le câble d'alimentation du réfrigérateur pendant l'installation. Dans le cas contraire, vous risquez de vous électrocuter et de vous blesser !
- Ne branchez pas le cordon d'alimentation du produit dans des prises de courant lâches, disloquées, cassées, sales, huileuses et présentant un risque de contact avec l'eau. Ces types de branchements peuvent provoquer une surchauffe et un incendie.
- Placez le câble d'alimentation et les flexibles (si disponibles) de l'appareil de sorte qu'ils ne puissent pas provoquer de risque de trébuchement.
- La pénétration de l'humidité et de liquide sur les pièces sous tension ou sur le cordon d'alimentation peut provoquer un court-circuit. Par conséquent, n'utilisez pas l'appareil dans des environnements humides ou dans des zones où l'eau peut éclabousser (p. ex., garage, buanderie, etc.). Si le réfrigérateur est mouillé par l'eau, débranchez-le et communiquez avec un service autorisé.

- Ne branchez jamais votre réfrigérateur sur des dispositifs d'économie d'énergie. Ces systèmes sont nocifs pour l'appareil.
- En retirant le couvercle de la carte électronique et le couvercle arrière du compresseur (si présent), vous risquez d'entrer en contact avec des pièces électriques. Ne retirez pas le couvercle de la carte électronique et le couvercle arrière du compresseur (si présent). Il existe un risque d'électrocution !
- N'endommagez pas les tuyaux du système de refroidissement avec des outils tranchants et perçants. Le réfrigérant qui s'échappe en cas de perforation des tuyaux à gaz, des tuyaux d'extension ou des revêtements de la surface supérieure peut provoquer une irritation de la peau et des lésions oculaires.
- Ne placez pas et n'utilisez pas d'appareils électriques à l'intérieur du réfrigérateur/congérateur, sauf avis contraire du fabricant.



## 1.6 Sécurité de fonctionnement

- N'utilisez jamais de solvants chimiques sur le réfrigérateur. Ces matériaux présentent un risque d'explosion.
- En cas de panne de l'appareil, débranchez-le et ne l'utilisez pas avant sa réparation par le service autorisé. Il existe un risque d'électrocution !
- Ne placez pas une source de flamme (p. ex. des bougies, cigarettes, etc.) sur l'appareil ou à proximité de celui-ci.
- Ne montez pas sur l'appareil. Risque de chute et de blessure !
- Ne coinciez pas les parties de vos mains ou de votre corps sur les parties mobiles à l'intérieur de l'appareil. Faites attention à ne pas coincer vos doigts entre le réfrigérateur et sa porte. Soyez prudent lorsque vous ouvrez ou fermez la porte en présence des enfants.
- Ne mettez pas de crème glacée, de glaçons ou d'aliments congelés dans votre bouche immédiatement après les avoir sortis du congélateur. Risque de gelure !
- Ne touchez pas les parois intérieures, les parties métalliques du congélateur ou les aliments

conservés dans le congélateur avec les mains mouillées.

Risque de gelure !

- Ne placez pas de canettes de soda ou de bouteilles contenant des liquides pouvant être congelés dans le compartiment congélateur. Les canettes ou les bouteilles peuvent exploser. Risque de blessures et de dommages matériels !
- N'utilisez pas ou ne placez pas de matériaux sensibles à la température tels que des aérosols inflammables, des objets inflammables, de la glace sèche ou d'autres agents chimiques à proximité du réfrigérateur. Risque d'incendie ou d'explosion !
- Ne stockez pas de matières explosives telles que des aérosols contenant des matériaux inflammables à l'intérieur de l'appareil.
- Ne placez pas de boîtes contenant des liquides sur l'appareil lorsqu'il est ouvert. Les éclaboussures d'eau sur une pièce électrique peuvent provoquer un choc électrique ou un incendie.
- En raison du risque de rupture, ne stockez pas de récipients en verre contenant du liquide dans le compartiment congélateur.
- Cet appareil n'est pas destiné au stockage et au refroidissement de médicaments, de plasma sanguin, de préparations de laboratoire ou de matériaux et produits similaires qui sont soumis à la directive sur les produits médicaux.
- Si l'appareil est utilisé à d'autres fins que celles pour lesquelles il a été conçu, il peut endommager ou détériorer les produits qu'il contient.
- Si votre réfrigérateur est équipé d'un voyant lumineux bleu, ne contemplez pas le voyant lumineux avec des instruments optiques. Ne fixez pas directement la lumière LED à UV pendant une longue période, car les rayons ultraviolets peuvent entraîner la fatigue oculaire.
- Ne remplissez pas l'appareil de contenu dépassant sa capacité. Des blessures ou des dégâts peuvent survenir au cas où le contenu du réfrigérateur tombe lorsque la porte est ouverte. Des problèmes similaires peuvent survenir lorsqu'un objet est placé sur l'appareil.

- Pour éviter tout risque de blessures, rassurez-vous que vous avez retiré toute la glace ou toute l'eau qui auraient pu se verser au sol.
- Changez l'emplacement des casiers/porte-bouteilles sur la porte de votre réfrigérateur uniquement lorsqu'ils sont vides. Risque de blessures !
- Ne placez aucun objet qui pourrait tomber ou basculer sur l'appareil. Ces objets peuvent tomber lors de l'ouverture ou de la fermeture de la porte, et causer des blessures et/ou des dégâts matériels.
- Ne frappez ni n'exercez aucune pression excessive sur les surfaces en verre. Le verre brisé peut causer des blessures et/ou des dégâts matériels.
- Le système de refroidissement de votre appareil contient du réfrigérant R600a. Le type de réfrigérant utilisé dans l'appareil est indiqué sur la plaque signalétique. Ce gaz est inflammable. Par conséquent, veillez à ne pas endommager le système de refroidissement et les tuyaux pendant l'utilisation de l'appareil. Si les tuyaux sont endommagés :
  1. Ne touchez pas l'appareil ni le câble d'alimentation,
  2. Maintenez l'appareil éloigné des sources potentielles d'incendie qui pourraient causer l'incendie de l'appareil,
  3. Aérez la zone où l'appareil est placé, - N'utilisez pas de ventilateur,
  4. Contactez un centre de service agréé.Si l'appareil est endommagé et que vous observez une fuite de gaz, éloignez-vous du gaz. Le gaz peut causer des gelures lorsqu'il entre en contact avec votre peau.  
Avant de vous débarrasser des appareils usagés qui ne doivent plus être utilisés :
  1. Débranchez le cordon d'alimentation de la prise de courant.
  2. Coupez le cordon d'alimentation et retirez-le de l'appareil avec la prise.
  3. Ne retirez pas les étagères et les tiroirs de l'appareil pour empêcher les enfants d'y pénétrer.
  4. Démontez les portes.
  5. Stockez l'appareil de façon à éviter qu'il se renverse.
  6. Ne laissez pas les enfants jouer avec un appareil usagé.
- Ne jetez pas l'appareil en le mettant au feu. Risque d'explosion.

- Si une serrure est disponible sur la porte de l'appareil, gardez la clé hors de la portée des enfants.

### 1.7 Sécurité du stockage des aliments

Veillez prêter attention aux avertissements suivants afin d'éviter la détérioration des aliments :

- Laisser les portes ouvertes pendant une longue période peut entraîner une augmentation de la température à l'intérieur du produit.
- Nettoyez régulièrement les systèmes de drainage accessibles en contact avec les aliments.
- Nettoyez les réservoirs d'eau qui n'ont pas été utilisés pendant 48 heures et les systèmes d'alimentation en eau qui n'ont pas été utilisés pendant plus de 5 jours.
- Conservez les produits de viande et de poisson crus dans des compartiments appropriés à l'intérieur de l'appareil. Ainsi, ils ne coulent pas sur les autres aliments et n'entre pas en contact avec eux.
- Les compartiments de congélation à deux étoiles permettent de conserver les ali-

ments pré-cuisinés, de préparer et de conserver la glace et la crème glacée.

- Les compartiments à une, deux et trois étoiles ne conviennent pas à la congélation des aliments frais.
- Si le produit réfrigérant est resté vide pendant une longue période, éteignez le produit, dégivrez, nettoyez et séchez le produit afin de protéger le boîtier de l'appareil.

### 1.8 Sécurité relative à l'entretien et au nettoyage

- Ne tirez pas sur la poignée de la porte si vous devez déplacer l'appareil pour le nettoyer. La poignée peut causer des blessures si vous la tirez trop fort.
- Ne nettoyez pas l'appareil en pulvérisant ou en versant de l'eau dessus et à l'intérieur. Risque de choc électrique et d'incendie.
- Lors du nettoyage de l'appareil, n'utilisez pas d'outils tranchants et abrasifs ni de produits de nettoyage ménagers, de détergents, d'essence, de diluant, d'alcool, de vernis et de substances similaires. Utilisez des produits de nettoyage et

- d'entretien qui ne sont pas nocifs pour les aliments uniquement à l'intérieur de l'appareil.
- N'utilisez jamais de vapeur ou de matériel de nettoyage à vapeur pour nettoyer l'appareil et faire fondre la glace qui s'y trouve. Lorsque la vapeur entre en contact avec les zones sensibles de votre réfrigérateur, elle peut provoquer un court-circuit ou un choc électrique.
  - Veillez à éloigner l'eau des circuits électroniques ou de l'éclairage de l'appareil.
  - Utilisez un torchon propre et sec pour essuyer la poussière ou les corps étrangers sur les extrémités des fiches. N'utilisez pas de torchon humide ou mouillé pour nettoyer la fiche. Ceci, pour éviter tout risque d'incendie ou de choc électrique.
  - Pour éviter que les enfants ne s'enferment accidentellement dans le produit, désactivez le verrou de porte s'il en existe un.
  - Les éclaboussures de liquide de refroidissement sont dangereuses pour les yeux. N'endommagez aucune partie du système de refroidissement lorsque vous mettez le produit au rebut.
  - L'ingestion de l'huile du compresseur ou sa pénétration dans les voies respiratoires peut être fatale.
  - Le système de refroidissement de votre produit comprend du gaz R600a comme spécifié sur la plaque signalétique. Ce gaz est inflammable. Ne jetez pas l'appareil en le mettant au feu. Risque d'explosion !
  - C- Le pentane est utilisé comme agent gonflant dans les mousses d'isolation et c'est une substance inflammable. Ne jetez pas l'appareil en le mettant au feu.

### 1.9 Mise au rebut de l'ancien produit

Lorsque vous mettez votre ancien produit au rebut, suivez les instructions ci-dessous :



## 2 Instructions environnementales

### 2.1 Conformité avec la directive DEEE et élimination des déchets



Cet appareil est conforme à la directive DEEE de l'Union européenne (2012/19/UE). Le produit possède un symbole de classification attribué aux déchets d'équipements élec-

triques et électroniques (DEEE).

Ce symbole indique que cet appareil ne doit pas être mis au rebut avec les ordures ménagères à la fin de sa durée de vie. Les appareils usagés doivent être retournés au point de collecte officiel pour le recyclage des dispositifs électriques et électroniques. Pour trouver ces systèmes de collecte, veuillez contacter les autorités locales ou le détaillant à l'endroit où l'appareil a été acheté. Chaque ménage joue un rôle important dans la récupération et le recyclage des vieux appareils ménagers. La mise au

rebut appropriée des appareils usagés permet de prévenir les conséquences négatives potentielles pour l'environnement et la santé humaine.

### Conformité à la directive RoHS

Votre appareil est conforme à la directive RoHS de l'Union européenne (2011/65/UE). Il ne comporte pas de matériaux dangereux et interdits mentionnés dans la directive.

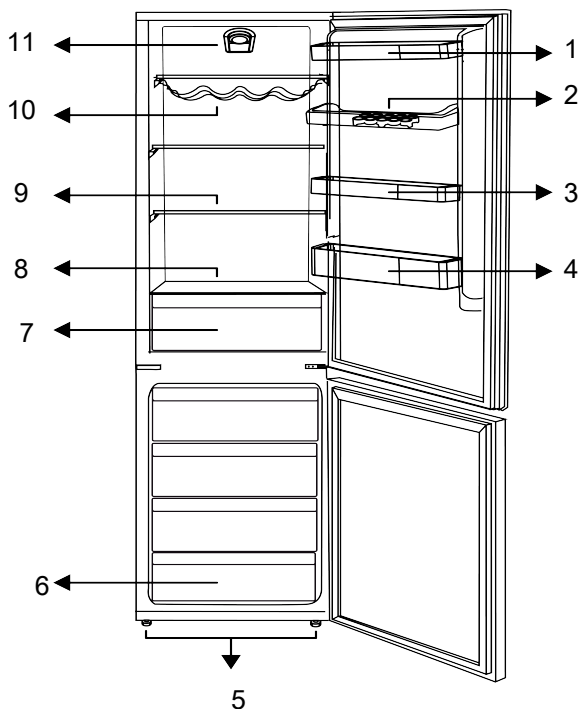


### Informations sur l'emballage

Les matériaux d'emballage de cet appareil sont fabriqués à partir de matériaux recyclables, conformément à nos réglementations nationales en matière d'environnement. Ne mettez pas les matériaux d'emballage au rebut avec les ordures ménagères et d'autres déchets. Apportez-les aux points de collecte des matériaux d'emballage désignés par les autorités locales.

### 3 Votre réfrigérateur

FR




- |  |  |
|--|--|
| 1 Balconnet                                    | 2 Porte-œufs                                   |
| 3 Balconnet                                    | 4 Étagère pour les bouteilles                  |
| 5 Pieds réglables                              | 6 Tiroirs pour aliments congelés               |
| 7 Compartiment pour les produits laitiers      | 8 Couvercle et verre du compartiment réfrigéré |
| 9 Étagère réglable                             | 10 Étagère pour les bouteilles                 |
| 11 Contrôle de la régulation de la température |  |

**\*En option :** Les illustrations présentées dans ce manuel d'utilisation sont schématiques et peuvent ne pas correspondre

exactement à votre produit. Si votre appareil ne présente pas les parties citées, alors l'information s'applique à d'autres modèles.

### 4 Installation

 Lisez d'abord la section « Instructions de sécurité » !

#### 4.1 Lieu idéal d'installation

Contactez le service agréé pour l'installation de votre réfrigérateur. Pour préparer l'installation du réfrigérateur, lisez attentive-

ment les instructions du manuel d'utilisation et assurez-vous que les équipements électriques et d'approvisionnement d'eau sont installés convenablement. Si ce n'est pas le cas, appelez un électricien et un plombier pour faire le nécessaire pour les services publics.



**AVERTISSEMENT :**

Le fabricant ne sera pas tenu responsable en cas de problèmes causés par des travaux effectués par des personnes non autorisées.



**AVERTISSEMENT :**

Débranchez le câble d'alimentation du réfrigérateur pendant l'installation. Le non-respect de cette consigne peut entraîner la mort ou des blessures graves !



**AVERTISSEMENT :**

Si le cadre de la porte est trop étroit pour laisser passer l'appareil, retirez la porte et faites passer l'appareil sur les côtés ; si cela ne fonctionne pas, contactez le service agréé.

- Placez l'appareil sur une surface plane pour éviter les vibrations.
- Placez le produit à 30 cm du chauffage, de la cuisinière et des autres sources de chaleur similaires et à au moins 5 cm des fours électriques.
- N'exposez pas le produit directement à lumière du soleil et ne le laissez pas dans des environnements humides.
- Votre produit nécessite une circulation d'air adéquate pour pouvoir fonctionner efficacement. S'il est placé dans une alcôve, n'oubliez pas de laisser un espace d'au moins 5 cm entre l'appareil, le plafond, la paroi arrière et les parois latérales.
- Vérifiez que l'élément de protection d'espace de la façade arrière est présent à son emplacement (au cas où il est fourni avec l'appareil).

- Si l'élément n'est pas disponible, perdu ou tombé, positionnez l'appareil de manière à laisser un espace d'au moins 5 cm entre la surface arrière de l'appareil et les murs de la pièce. L'espace prévu à l'arrière est important pour le fonctionnement efficace de l'appareil.

## 4.2 Branchement électrique



Ne branchez pas le réfrigérateur sur une rallonge ou une multiprise.



Les câbles d'alimentation endommagés doivent être remplacés par le service agréé.

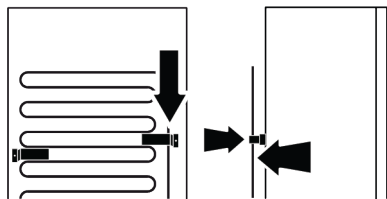


Lorsque deux réfrigérateurs sont installés côte à côte, laissez au moins 4 cm de distance entre les deux appareils

- Notre entreprise ne sera pas tenue responsable de tout dommage résultant de l'utilisation de l'appareil sans prise de mise à la terre ou branchement électrique conforme à la norme nationale en vigueur.
- Gardez la fiche du câble d'alimentation à portée de main après l'installation.
- N'utilisez pas de fiche multigroupe avec ou sans rallonge entre la prise murale et le réfrigérateur.

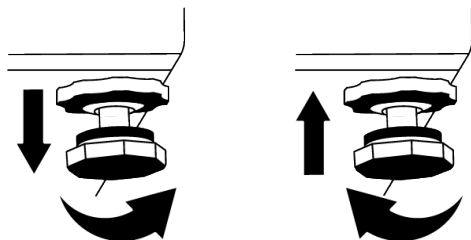
## 4.3 Fixation des cales en plastique

Le condenseur du réfrigérateur est situé à l'arrière. Pour minimiser la consommation d'énergie et augmenter l'efficacité énergétique, la partie supérieure du condenseur doit être tirée vers l'arrière et fixée comme indiqué sur l'image. Lorsque le condenseur est tiré vers l'arrière, les supports situés en haut à droite et à gauche se verrouillent et la position du condenseur est sécurisée.

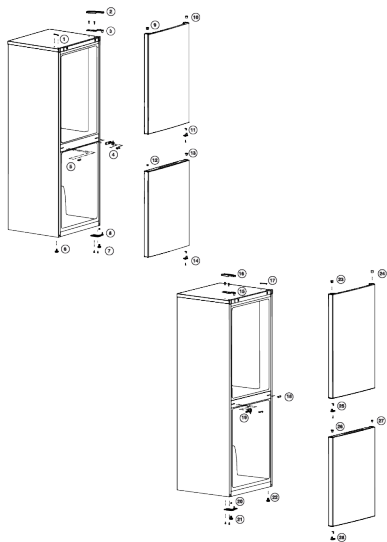


#### 4.4 Réglages des pieds avant

Si l'appareil n'est pas équilibré, réglez les pieds avant en les tournant vers la gauche ou la droite.



#### 5 Changement de direction de la porte



#### 4.5 Attention aux surfaces chaudes

Les parois latérales de votre produit sont équipées de tuyaux de refroidissement pour améliorer le système de refroidissement. Un fluide à haute pression peut s'écouler à travers ces surfaces, et provoquer des surfaces chaudes sur les parois latérales. C'est normal et cela ne nécessite pas d'entretien. Faites attention lorsque vous contactez ces zones.

#### 6 Préparation



Lisez d'abord la section « Instructions de sécurité » !

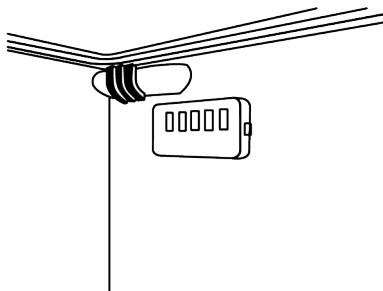
## 6.1 Moyens d'économiser l'énergie



Il est dangereux de connecter l'appareil aux systèmes électroniques d'économie d'énergie, ils pourraient l'endommager.

- Cet appareil de réfrigération n'est pas conçu pour être utilisé comme un appareil encastré.
- Ne laissez pas la porte du réfrigérateur ouverte longtemps.
- Ne placez pas d'aliments ou de boissons chauds dans le réfrigérateur.
- Ne surchargez pas le réfrigérateur, l'obstruction du flux d'air interne réduira la capacité de réfrigération.
- Comme l'air chaud et humide ne pénètre pas directement dans votre produit lorsque les portes ne sont pas ouvertes, votre produit s'optimisera dans des conditions suffisantes pour protéger vos aliments. Dans ces conditions, les fonctions et les composants tels que le compresseur, le ventilateur, le chauffage, le dégivrage, l'éclairage, l'affichage, etc. fonctionneront en fonction des besoins en consommant un minimum d'énergie.
- Dans le cas où plusieurs options sont présentes, les étagères en verre doivent être placées de manière à ce que les sorties d'air de la paroi arrière ne soient pas bloquées et, de préférence, de manière à ce que les sorties d'air restent sous l'étagère en verre. Cette combinaison peut contribuer à améliorer la distribution de l'air et l'efficacité énergétique.
- Il est fortement recommandé d'utiliser le tiroir du bas pour le rangement.
- Selon les caractéristiques de l'appareil, le dégivrage des aliments congelés dans le compartiment réfrigérateur assurera l'économie d'énergie et la préservation de la qualité des aliments.
- Afin de charger la quantité maximale d'aliments dans le compartiment congélateur, vous pouvez retirer les tiroirs supérieurs et placer les aliments sur les clayettes métalliques/en verre.

- Veuillez-vous assurer que les aliments ne sont pas en contact direct avec le capteur de température du compartiment réfrigérateur décrit ci-après.



- En cas de contact avec le capteur, la consommation d'énergie de l'appareil peut augmenter
- Les aliments sont stockés à l'aide des tiroirs du compartiment réfrigéré afin de garantir une économie d'énergie et de protéger les aliments dans de meilleures conditions.
- Les emballages de denrées alimentaires ne doivent pas être en contact direct avec le capteur de température situé dans le compartiment de congélation.

## 6.2 Première utilisation

Avant d'utiliser votre réfrigérateur, assurez-vous que les installations nécessaires sont conformes aux instructions des sections « Instructions en matière de sécurité et d'environnement » et « Installation ».

- Laissez l'appareil fonctionner à vide pendant 6 heures, et ne l'ouvrez pas sauf en cas de nécessité absolue.
- Le changement de température causé par l'ouverture et la fermeture de la porte pendant l'utilisation du produit peut normalement entraîner la formation de condensation sur les tablettes de la porte/du corps et sur les verres placés dans l'appareil.



Un son retentit à l'activation du compresseur. Il est normal que l'appareil fasse du bruit même si le compresseur ne fonctionne pas, car du fluide et du gaz peuvent être comprimés dans le système de refroidissement.



Il est normal que les bords avant du réfrigérateur soient chauds. Ces parties doivent en principe être chaudes afin d'éviter la condensation.



Pour certains modèles, le panneau indicateur s'éteint automatiquement 1 minute après la fermeture des portes. Il s'active à nouveau à l'ouverture de la porte ou lorsque vous appuyez sur n'importe quelle touche.

### 6.3 Classe climatique et définitions

Veillez vous référer à la classe climatique figurant sur la plaque signalétique de votre appareil. L'une des informations suivantes s'applique à votre appareil selon la classe climatique.

- **SN** : Climat tempéré à long terme : Ce dispositif de refroidissement est conçu pour être utilisé à une température ambiante comprise entre 10 °C et 32 °C.
- **N** : Climat tempéré : Ce dispositif de refroidissement est conçu pour être utilisé à une température ambiante comprise entre 16°C et 32 °C.
- **ST** : Climat subtropical : Ce dispositif de refroidissement est conçu pour être utilisé à une température ambiante comprise entre 16°C et 38°C.
- **T** : Climat tropical : Ce dispositif de refroidissement est conçu pour être utilisé à une température ambiante comprise entre 16°C et 43°C.

## 7 Fonctionnement de l'appareil



Lisez d'abord la section « Instructions de sécurité » !

- Il ne faut pas utiliser d'outils mécaniques ou autres que les recommandations du fabricant pour accélérer l'opération de décongélation.
- Évitez d'utiliser des parties de votre réfrigérateur, telles que la porte ou les tiroirs, comme support ou comme marchepied. Cela peut faire trébucher le produit ou endommager ses composants.
- Le produit ne doit être utilisé que pour la conservation des aliments.
- Fermez le robinet d'eau si vous vous absentez de chez vous (par exemple, en vacances) et que vous n'utilisez pas le dis-

tributeur d'eau ou le distributeur de glace pendant une longue période. Dans le cas contraire, des fuites d'eau peuvent se produire.

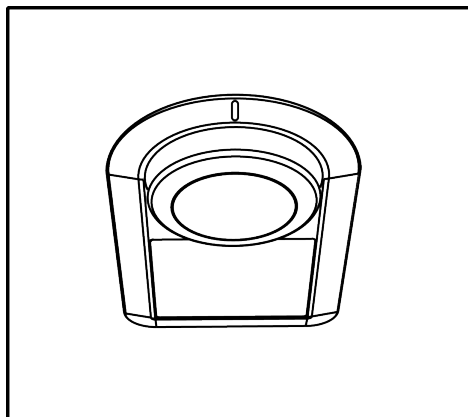
### Interruption du programme

- Si vous n'avez pas l'intention d'utiliser le produit pendant une longue période, débranchez-le de la prise de courant.
- Enlevez la nourriture pour éviter les odeurs.
- Attendez que la glace fonde, nettoyez l'intérieur et laissez-le sécher, laissez les portes ouvertes pour éviter d'endommager les plastiques intérieurs de la carrosserie.

## 8 Utilisation de votre appareil

### 8.1 Panneau de contrôle du produit

La température de fonctionnement est réglée par le contrôle de la température.



Warm ← ● 1 ● 2 ● 3 ● 4 ● 5 → Cold  
 (Or) Min. Max.

- 0= Système de refroidissement désactivé
- 1= Réglage de refroidissement le plus bas (réglage le plus chaud)
- 5= Réglage de refroidissement le plus élevé (réglage le plus froid)

La température moyenne à l'intérieur du compartiment réfrigérant doit être d'environ +5°C.

Veuillez sélectionner un réglage en fonction de la température souhaitée.

Veuillez noter qu'il y aura des températures différentes dans la zone de refroidissement.

La zone la plus froide se trouve juste au-dessus du bac à légumes.

La température intérieure dépend également de la température ambiante, de la fréquence d'ouverture de la porte et de la quantité d'aliments stockés dans le réfrigérateur.

L'ouverture fréquente de la porte entraîne une augmentation de la température interne.

Il est donc recommandé de fermer la porte dès que possible après l'avoir ouverte pour quelque raison que ce soit.

La température interne de votre réfrigérateur peut changer pour les raisons suivantes :

- Températures saisonnières ;

- Ouvrez la porte fréquemment et laissez la ouverte pendant longtemps ;
- Placez les aliments dans le réfrigérateur sans attendre qu'ils atteignent la température ambiante ;
- L'emplacement du réfrigérateur dans la pièce (par exemple, l'exposition au soleil).

Le thermostat vous permet d'ajuster la température interne qui varie pour de telles raisons.

Le réglage MIN est défini comme un réglage d'hiver pour une utilisation à des températures ambiantes inférieures à 120°C.

Ne pas l'utiliser à des températures supérieures à 120°C.

- la combinaison de tiroirs, de paniers et d'étagères, qui permet d'utiliser l'énergie de l'appareil de réfrigération le plus efficacement possible ;
- des indications claires sur l'endroit et la manière de stocker les aliments dans un appareil de réfrigération afin de les conserver le plus longtemps possible et d'éviter les déchets alimentaires ;
- une description des effets de modes de fonctionnement et de caractéristiques particuliers, notamment comment et pendant combien de temps les températures sont affectées dans les différents compartiments ;

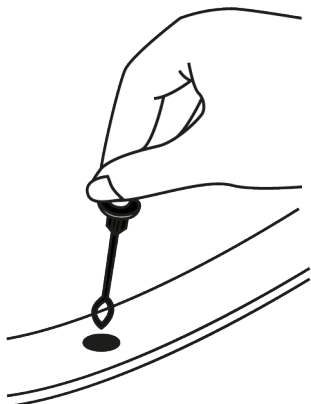
## 8.2 Dégivrage

### A) Compartiment réfrigérateur

Le dégivrage du compartiment réfrigérateur se fait automatiquement. Lors du dégivrage, des gouttes d'eau peuvent se former à l'arrière du compartiment réfrigérateur, là où se trouve l'évaporateur scellé. Il peut rester quelques gouttes sur le revêtement, et elles peuvent geler à nouveau une fois le dégivrage terminé. Ne laissez pas les objets placés dans le réfrigérateur entrer en contact avec la paroi arrière, car les gouttes d'eau les mouilleraient. Évitez d'utiliser des

objets pointus ou à bords tranchants tels que les couteaux ou les fourchettes pour retirer les gouttes gelées.

Lorsque l'eau de dégivrage ne s'écoule pas à partir du circuit de collecte, procédez à une vérification pour vous assurer que le tuyau de drainage n'est bloqué par aucune particule alimentaire. Vous pouvez nettoyer le tuyau de drainage en poussant la ventouse en plastique spéciale qui se trouve en bas du tuyau de drainage. Si la couche de glace atteint 7 mm d'épaisseur, diminuez le réglage pour relancer le dégivrage automatique.



### 8.3 Stockage des aliments dans le compartiment réfrigérant

#### Stockage des aliments dans le compartiment réfrigérant

- La température des compartiments augmente considérablement si la porte du compartiment est ouverte et fermée fréquemment et si elle reste ouverte pendant longtemps, ce qui peut réduire la durée de vie des aliments et les faire se gâter.
- Afin de ne pas provoquer de changements d'odeur et de goût, les aliments doivent être conservés dans des récipients fermés.
- Ne conservez pas de quantités excessives d'aliments dans votre réfrigérateur. Pour obtenir un refroidissement plus efficace et homogène, placez les aliments séparément de manière à ce que l'air froid puisse circuler.

#### B) Compartiment congélateur

Le dégivrage est très simple et sans souci grâce à un bac de récupération spécial dégivrage.

Dégivrez deux fois par an ou lorsqu'une couche de glace d'environ 7 mm s'est formée. Pour commencer la procédure de dégivrage, débranchez l'appareil de la prise de courant et retirez la fiche d'alimentation.

Tous les aliments doivent être enveloppés dans plusieurs couches de papier journal et conservés dans un endroit froid (réfrigérateur ou garde-manger).

Pour accélérer le processus de décongélation, des récipients d'eau chaude peuvent être placés avec précaution à l'intérieur du congélateur.

N'utilisez pas d'objets pointus ou tranchants tels que des couteaux ou des fourchettes pour retirer la glace.

N'utilisez en aucun cas de sèche-cheveux ni des appareils similaires tels que les chauffages électriques pour le dégivrage.

Épongez l'eau de dégivrage qui s'est accumulée sous le compartiment congélateur. Après le dégivrage, séchez complètement l'intérieur.

- Assurez la circulation de l'air en laissant un espace entre l'aliment et la paroi interne. Si vous appuyez les aliments contre la paroi arrière, ils risquent de geler.
- Amenez les plats chauds cuisinés à la température ambiante avant de les placer dans le réfrigérateur. Ensuite, vous pouvez placer le repas tiède dans les étagères inférieures de votre réfrigérateur. Ne placez pas les repas tièdes à proximité des aliments qui peuvent facilement se gâter.
- Faites surtout attention à ne pas mélanger les aliments vendus comme surgelés avec les aliments frais.
- Décongelez vos aliments congelés dans le compartiment des aliments frais. Ainsi, vous pouvez refroidir le compartiment



des aliments frais en utilisant des aliments congelés et économiser de l'énergie.

- Conservez les fruits tropicaux non mûrs (mangue, variétés de melon, papaye, banane, ananas) au réfrigérateur peut accélérer le processus de maturation. Ceci n'est pas recommandé car cela entraînera une réduction de la durée de stockage.
- Vous devez conserver les oignons, les aulx, les gingembres et les autres légumes-racines dans une pièce sombre et froide, et non au réfrigérateur.
- Si vous remarquez qu'un aliment a tourné dans le réfrigérateur, jetez-le et nettoyez les accessoires qui ont été en contact avec cet aliment.
- Pour refroidir rapidement les plats tels que les soupes et les ragoûts, qui sont cuits dans de grandes marmites, vous pouvez les mettre au réfrigérateur en les séparant dans leurs propres récipients peu profonds.
- Ne placez pas d'aliments non emballés à proximité des œufs.
- Conservez les fruits et légumes séparément et stockez chaque variété ensemble (par exemple : les pommes avec les pommes, les carottes avec les carottes).
- Sortez les légumes verts du sac en plastique et placez-les au réfrigérateur après les avoir enveloppés dans une serviette en papier ou un linge sec. Si vous lavez ce type d'aliments avant de les placer dans le réfrigérateur, n'oubliez pas de les sécher.
- Vous pouvez à la fois créer un environnement humide et assurer une circulation d'air en conservant les fruits et légumes, qui ont tendance à sécher, dans des sacs en plastique perforés ou non fermés.
- Sauf en cas de circonstances extrêmes dans l'environnement, si votre produit (sur le tableau des valeurs de consigne recommandées) est réglé sur les valeurs de consigne spécifiées, les aliments conservent leur fraîcheur plus longtemps, aussi bien dans le compartiment des produits frais que dans celui du congélateur.

Rangez les aliments dans les différents endroits en fonction de leurs propriétés :	
Aliment	Emplacement
Œuf	Balconnet
Produits laitiers (beurre, fromage)	Si disponible, compartiment zéro degré (pour les aliments du petit-déjeuner)
Fruits, légumes et verdure	Compartiment fruits-légumes, bac à légumes ou Compartiment EverFresh+ (si disponible)
Viande fraîche, volaille, poisson, saucisses, etc. Aliments cuits	Si disponible, compartiment zéro degré (pour les aliments du petit-déjeuner)
Aliments prêts à consommer, produits emballés, conserves, produits marinés	Étagères supérieures ou balconnet
Boissons, bouteilles, épices et snacks	Balconnet

### Stockage des aliments dans le compartiment congélateur

- Vous pouvez activer la fonction de congélation rapide de 4 à 6 heures avant la fonction de congélation et profiter d'un refroidissement plus rapide.
- Amenez les repas chauds à la température ambiante avant de les placer dans le compartiment congélateur.
- Les aliments à congeler doivent être divisés en portions en fonction de la taille à consommer, et congelés dans des emballages séparés.
- Il est recommandé d'emballer les aliments avant de les placer dans le congélateur.
- Afin de prévenir l'expiration du temps de conservation, inscrivez la date et l'heure de congélation ainsi que le nom du pro-

duit sur l'emballage, en fonction des temps de conservation des différents aliments.

- Consommez rapidement les aliments que vous avez décongelés. Les aliments décongelés ne peuvent être recongelés que s'ils sont cuits. Il n'est pas sûr de consommer les aliments frais recongelés sans cuisson après leur décongélation.
- Lorsque vous congelez des aliments frais, ne les mettez pas en contact avec des aliments déjà congelés. Sinon, les aliments congelés seront décongelés.

### **Stockage des aliments vendus surgelés**

- Suivez toujours les instructions du producteur en ce qui concerne le temps pendant lequel vous devez conserver vos aliments. Ne dépassez pas le temps indiqué dans ces instructions!
  - Afin de préserver la qualité des aliments, veillez à ce que l'intervalle de temps entre la transaction d'achat et le stockage soit aussi court que possible.
  - Achetez les aliments congelés qui sont conservés à  $-18^{\circ}\text{C}$  ou à des températures inférieures.
- Évitez d'acheter des aliments dont l'emballage est recouvert de glace, etc. Cela signifie que le produit pourrait être partiellement décongelé et recongelé. La température a un impact sur la qualité des aliments.
  - Ne dépassez pas la durée de conservation recommandée par le producteur de l'aliment. Ne sortez du congélateur que les aliments dont vous avez besoin.
  - Sauf en cas de circonstances extrêmes dans l'environnement, si votre produit (sur le tableau des valeurs de consigne recommandées) est réglé sur les valeurs de consigne spécifiées, les aliments conservent leur fraîcheur plus longtemps, aussi bien dans le compartiment des produits frais que dans celui du congélateur.
  - Si le compartiment des aliments frais est réglé sur une température inférieure, les fruits et légumes frais peuvent être partiellement congelés.
  - Les compartiments à deux étoiles conviennent aux aliments surgelés. Les glaces et les glaçons peuvent y être conservés.
  - Ne congelez pas d'aliments dans les compartiments comportant une, deux ou trois étoiles.

Viande et poisson		Préparation		Temps de stockage le plus long (mois)	
Produits à base de viande	Veau	Steak	En les coupant à 2 cm d'épaisseur et en les séparant par une feuille d'aluminium ou en les enveloppant hermétiquement avec du papier étirable.	6-8	
		Rôti	En emballant les morceaux de viande dans un sac réfrigérant ou en les enveloppant hermétiquement avec du papier étirable.	6-8	
		Cubes	En petites portions	6-8	
		escalopes, côtelettes	En séparant les tranches coupées par une feuille d'aluminium ou en les enveloppant individuellement avec papier étirable.	6-8	
	Mouton	Côtelettes	En séparant les morceaux de viande par une feuille d'aluminium ou en les enveloppant individuellement avec papier étirable.	4-8	
		Rôti	En emballant les morceaux de viande dans un sac réfrigérant ou en les enveloppant hermétiquement avec du papier étirable.	4-8	
		Cubes	En emballant la viande hachée dans un sac réfrigérant ou en les enveloppant hermétiquement avec du papier étirable.	4-8	
	Patte	Rôti	En emballant les morceaux de viande dans un sac réfrigérant ou en les enveloppant hermétiquement avec du papier étirable.	8-12	
		Steak	En les coupant à 2 cm d'épaisseur et en les séparant par une feuille d'aluminium ou en les enveloppant hermétiquement avec du papier étirable.	8-12	
		Cubes	En petites portions	8-12	
		Viande bouillie	En l'emballant en petites portions dans un sac réfrigérant	8-12	
	Hacher		Sans assaisonnement, dans des sachets plats		1-3
	Abats (pièce)		En pièces		1-3
	Saucisse fermentée - Salami		Elle doit être emballée, même si elle est dans une boîte.		1-3
	Jambon		En plaçant une feuille d'aluminium entre les tranches coupées		2-3
Volaille et animaux de chasse	Poulet et dinde		En l'enveloppant dans une feuille d'aluminium	4-6	
	Oie		En les emballant dans une feuille d'aluminium (les portions ne doivent pas dépasser 2,5 kg)	4-6	
	Canard		En les emballant dans une feuille d'aluminium (les portions ne doivent pas dépasser 2,5 kg)	4-6	
	Cerf, Lapin, Chevreuil		En les emballant dans une feuille d'aluminium (les portions ne doivent pas dépasser 2,5 kg et les os doivent être séparés)	6-8	

Viande et poisson		Préparation	Temps de stockage le plus long (mois)
Poissons et fruits de mer	Poissons d'eau douce (truite, carpe, grue, poisson-chat)	Après avoir soigneusement nettoyé l'intérieur et les écailles, il faut le laver, le sécher et couper la queue et la tête si nécessaire.	2
	Poisson maigre (Bar, Turbot, Sole)		4-6
	Poissons gras (Bonito, Maquereau, Poisson bleu, Rouget, Anchois)		2-4
	Mollusques	Nettoyés et dans des sachets	4-6
	Caviar	Dans son emballage, dans un récipient en aluminium ou en plastique	2-3

« Les temps de stockage indiqués dans le tableau sont basés sur la température de stockage de - 18° C. »

Fruits et légumes	Préparation	Temps de stockage le plus long (mois)
Haricots verts et haricots grimpants	Par ébullition-choc pendant 3 minutes après avoir été lavés et coupés en petits morceaux.	10-13
Petit pois	Par ébullition-choc pendant 2 minutes après décortilage et lavage.	10-12
Choux	Par ébullition-choc pendant 1 à 2 minute(s) après le nettoyage	6-8
Carotte	Par ébullition-choc pendant 3 à 4 minutes après avoir été nettoyés et coupés en tranches.	12
Poivre	En faisant bouillir pendant 2 à 3 minutes après avoir coupé la tige, en la divisant en deux et en séparant les graines.	8-10
Épinards	Par ébullition-choc pendant 2 minutes après lavage et nettoyage	6-9
Poireaux	Par ébullition-choc pendant 5 minutes après hachage	6-8
Chou-fleur	En les faisant bouillir dans une petite quantité d'eau citronnée pendant 3 à 5 minutes après avoir séparé les feuilles et coupé le cœur en morceaux	10-12
Aubergines	Par ébullition-choc pendant 4 minutes après avoir été lavés et coupés en morceaux de 2 cm.	10-12
Courges	Par ébullition-choc pendant 2 - -3 minutes après avoir été lavés et coupés en morceaux de 2 cm.	8-10
Champignons	En les faisant légèrement sauter dans l'huile et pressant du citron dessus.	2-3
Mais	Par nettoyage et conditionnement en épi ou en granulés	12
Pomme et poire	Par ébullition-choc pendant 2 à 3 minutes après les avoir épluchées et coupées en tranches.	8-10
Abricot et pêche	Divisez de moitié et retirez les grains	4-6
Fraise et framboise	Par lavage et décortilage	8-12
Fruits cuits	En ajoutant 10 % de sucre dans le récipient	12
Prune, cerise, griotte	En lavant et en égrenant les tiges	8-12

« Les temps de stockage indiqués dans le tableau sont basés sur la température de stockage de - 18° C. »

Produits laitiers	Préparation	Temps de stockage le plus long (Mois)	Conditions de stockage
Fromage (sauf feta)	En plaçant une feuille d'aluminium entre les tranches coupées	6-8	Il est possible de le laisser dans son emballage d'origine pour un stockage à court terme. Pour un stockage à long terme, il doit également être enveloppé dans une feuille d'aluminium ou en plastique.
Beurre, margarine	Dans son propre emballage	6	Dans son propre emballage ou dans des récipients en plastique

« Les temps de stockage indiqués dans le tableau sont basés sur la température de stockage de - 18° C. »

« La quantité d'aliments frais qui peut être congelée pendant une certaine période est indiquée sur l'étiquette signalétique. »

### Détails du congélateur

Selon les normes IEC 62552, à une température ambiante de 25° C, le congélateur doit pouvoir congeler 4,5 kg de denrées alimentaires à - 18° C ou à des températures inférieures en 24 heures pour chaque 100 litres de volume du compartiment congélateur.

Les aliments peuvent être préservés pour des périodes prolongées uniquement à des températures inférieures ou égales à - 18° C.

Vous pouvez garder les aliments frais pendant des mois (dans le congélateur à des températures inférieures ou égales à - 18° C).

Les aliments à congeler ne doivent pas être en contact avec ceux déjà congelés pour éviter un dégivrage partiel.

Faites bouillir les légumes et filtrez l'eau pour prolonger la durée de conservation à l'état congelé. Placez les aliments dans des emballages sous vide après les avoir filtrés et placez-les dans le congélateur. Les bananes, les tomates, les feuilles de laitue, le céleri, les œufs durs, les pommes de terre et les aliments similaires ne doivent pas être congelés. Si ces aliments sont congelés, seules les valeurs nutritionnelles et les

qualités gustatives seront affectées. Une pourriture qui mettrait en danger la santé humaine n'est pas à l'ordre du jour.

### Placer les aliments

**Balconnets du compartiment congélateur :** Différents aliments congelés comme la viande, le poisson, la crème glacée, les légumes, etc.

**Étagères du compartiment réfrigérateur :** Les aliments contenus dans des casseroles, des plats couverts, des gamelles et les œufs (dans des gamelles fermées)

**Balconnets de la porte du compartiment réfrigérateur :** Aliments ou boissons de petite taille et emballés.

**Bac à légumes :** Légumes et fruits

**Compartiment des aliments frais :** Delicatessen (aliments pour le petit déjeuner, produits carnés à consommer dans un délai court).

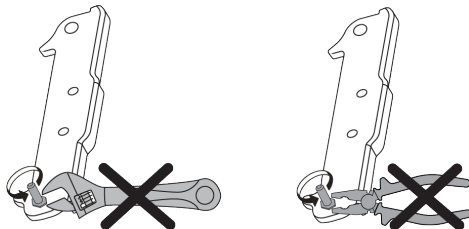
## 8.4 Remplacement de la lampe d'éclairage

Appelez le service autorisé lorsque l'ampoule/LED utilisée pour l'éclairage de votre réfrigérateur doit être remplacée.

La ou les lampes utilisées dans cet appareil ne peuvent pas être utilisées pour l'éclairage de la maison. L'objectif de cette lampe est d'aider l'utilisateur à placer les aliments dans le réfrigérateur/congélateur de manière sûre et confortable.

## 8.5 Inversion du côté d'ouverture de la porte

Le côté d'ouverture de la porte de votre réfrigérateur peut être inversé en fonction de l'endroit où vous le placez. En cas de besoin, vous devez absolument appeler le service agréé le plus proche.



## 8.6 bac à légumes avec contrôle d'humidité

Dans ce système, le matériau perméable à l'air et à l'humidité utilisé dans le couvercle du bac à légumes à double couche transmet l'air humide qui est collecté sur le plafond du bac à légumes et qui provoque la condensation dans la couche intermédiaire du couvercle du bac à légumes, et une partie de l'air humide est évacuée par les ouvertures du couvercle du bac à légumes. De cette façon, l'équilibre de l'humidité dans le bac à légumes est assuré et la condensation sur le plafond est minimisée.

## 8.7 Technologies Crisper

### Voyant lumineux bleu

Les fruits et légumes stockés dans les bacs à légumes éclairés par une lumière bleue continuent leur photosynthèse grâce à l'effet de longueur d'onde de la lumière bleue et préservent ainsi leur teneur en vitamine.

Les fruits et légumes conservés dans les bacs à légumes éclairés par la technologie conservent leurs vitamines plus longtemps

grâce aux lumières bleues, vertes, rouges et aux cycles d'obscurité, qui simulent un cycle de jour.

Lorsque la porte de votre réfrigérateur est ouverte pendant la période d'obscurité de la technologie, votre réfrigérateur le détecte automatiquement et allume le bac à légumes avec l'une des lumières bleues, vertes ou rouges respectivement pour votre confort. Une fois que vous avez fermé la porte du réfrigérateur, la période d'obscurité se poursuit, représentant ainsi la nuit dans un cycle de jour.

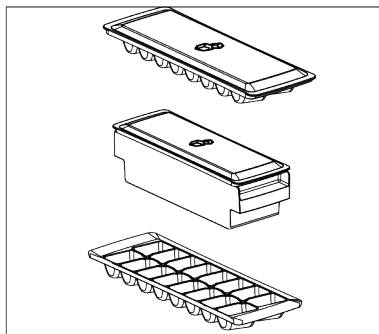
## 8.8 La zone de stockage de la glace

### Récipient à glace

Le seau à glace vous permet de prendre facilement de la glace dans le réfrigérateur.

### Utilisation du seau à glace

1. Sortez le seau à glace du compartiment congélateur.
2. Remplissez le seau à glace avec de l'eau.
3. Placez le seau à glace dans le compartiment du congélateur. Les glaçons seront prêts après environ deux heures.
4. Sortez le seau à glace du compartiment congélateur et penchez-vous légèrement sur le support que vous allez servir. La glace se verse facilement dans le récipient de service.



## 9 Entretien et nettoyage

FR



### AVERTISSEMENT :

Lisez d'abord la section « Instructions de sécurité ».



### AVERTISSEMENT :

Débranchez le réfrigérateur avant le nettoyage.

- N'utilisez pas des objets pointus ou des produits de nettoyage abrasifs pour nettoyer l'appareil. Il ne faut pas utiliser de matériaux tels que des produits d'entretien ménager, du savon, des détergents, du gaz, de l'essence, un diluant, de l'alcool, de la cire, etc.
- La poussière doit être enlevée de la grille de ventilation située à l'arrière du produit au moins une fois par an (sans ouvrir le couvercle). Nettoyez l'appareil avec un chiffon humide.
- Veillez à ne pas mouiller le logement de la lampe ainsi que d'autres composants électriques.
- Nettoyez la porte avec un chiffon humide. Retirez tout le contenu pour enlever la porte et les supports de carrosserie. Retirez les supports de porte en les soulevant vers le haut. Nettoyez et séchez les étagères, puis refixez-les en les faisant glisser à partir du haut.
- N'utilisez pas d'eau contenant du chlore, ou des produits de nettoyage pour les surfaces externes et les pièces chromées de l'appareil. Le chlore entraîne la corrosion de ce type de surfaces métalliques.
- Il ne faut pas utiliser d'outils tranchants et abrasifs, de savon, de produits d'entretien ménager, de détergents, de gaz, d'essence, de vernis et de substances similaires pour empêcher la déformation de la pièce en plastique et l'élimination des empreintes sur la pièce. Utilisez de l'eau chaude et un chiffon doux pour le nettoyage, puis séchez-le.
- Sur les produits sans fonction « No-Frost », des gouttelettes d'eau et un givre pouvant atteindre l'épaisseur d'un doigt peuvent se former sur la paroi arrière du

compartiment congélateur. Ne nettoyez pas et n'appliquez jamais d'huiles ou de produits similaires.

- Utilisez un chiffon en microfibres légèrement humidifié pour nettoyer la surface extérieure du produit. Les éponges et autres types de vêtements de nettoyage peuvent provoquer des éraflures.
- Afin de nettoyer tous les composants amovibles pendant le nettoyage de la surface intérieure du produit, il faut laver ces composants avec une solution douce composée de savon, d'eau et de carbonate. Lavez et séchez soigneusement. Évitez le contact de l'eau avec les composants d'éclairage et le panneau de contrôle.



### ATTENTION :

N'utilisez pas de vinaigre, d'alcool à friction ni de produits nettoyants à base d'alcool sur les surfaces intérieures.

### Surfaces extérieures en acier inoxydable

Utilisez un produit de nettoyage non abrasif pour l'acier inoxydable et appliquez-le avec un chiffon doux non pelucheux. Pour polir, essuyez doucement la surface avec un chiffon en microfibres humidifié à l'eau et utilisez une peau de chamois sèche. Suivez toujours les veines de l'acier inoxydable.

### Prévention des odeurs

À sa sortie d'usine, cet appareil ne contient aucun matériau odorant. Cependant, la conservation des aliments dans des sections inappropriées et le mauvais nettoyage de l'intérieur peuvent donner lieu aux mauvaises odeurs.

- Pour éviter cela, nettoyez l'intérieur à l'aide de carbonate dissout dans l'eau tous les 15 jours.

- Conservez les aliments dans des récipients scellés, car les micro-organismes provenant des aliments conservés dans des récipients non scellés provoquent une mauvaise odeur.
- Ne conservez pas d'aliments périmés ou avariés dans le réfrigérateur.

## 10 Dépannage

Vérifiez la liste suivante avant de contacter le service après-vente. Cela devrait vous éviter de perdre du temps et de l'argent. Cette liste répertorie les plaintes fréquentes ne provenant pas de vices de fabrication ou des défauts de pièces. Certaines fonctionnalités mentionnées dans ce manuel peuvent ne pas exister sur votre modèle.

### Le réfrigérateur ne fonctionne pas.

- La fiche électrique n'est pas correctement insérée. >>> Branchez-la en l'enfonçant complètement dans la prise.
- Le fusible branché à la prise qui alimente l'appareil ou le fusible principal est grillé. >>> Vérifiez les fusibles.

### Condensation sur la paroi latérale du congélateur (MULTI ZONE, COOL, CONTROL et FLEXI ZONE).

- La porte a été ouverte trop fréquemment >>> Évitez d'ouvrir trop fréquemment la porte de l'appareil.
- L'environnement est trop humide. >>> N'installez pas l'appareil dans des endroits humides.
- Les aliments contenant des liquides sont conservés dans des récipients non fermés. >>> Conservez ces aliments dans des emballages scellés.
- La porte de l'appareil est restée ouverte. >>> Ne laissez pas la porte de l'appareil ouverte longtemps.
- Le thermostat est réglé sur une température très froide. >>> Réglez le thermostat à la température appropriée.

### Le compresseur ne fonctionne pas.

- En cas de coupure soudaine de courant ou de débranchement intempestif, la pression du gaz dans le système de réfrigération de l'appareil n'est pas équilibrée,

### Protection des surfaces en plastique

Si de l'huile se répand sur les surfaces en plastique, il faut immédiatement les nettoyer avec de l'eau tiède, sinon elles seront endommagées.

ce qui déclenche la fonction de conservation thermique du compresseur. L'appareil se remet en marche au bout de 6 minutes environ. Dans le cas contraire, veuillez contacter le service de maintenance.

- Le dégivrage est actif. >>> Ce processus est normal pour un appareil à dégivrage complètement automatique. Le dégivrage se déclenche périodiquement.
- L'appareil n'est pas branché. >>> Vérifiez que le cordon d'alimentation est branché.
- Le réglage de la température est incorrect. >>> Sélectionnez le réglage de température approprié.
- Absence d'énergie électrique. >>> Le produit continuera à fonctionner normalement une fois le courant rétabli.

### Le bruit du réfrigérateur en fonctionnement s'accroît pendant son utilisation.

- Le rendement de l'appareil en fonctionnement peut varier en fonction des fluctuations de la température ambiante. Ceci est normal et ne constitue pas un dysfonctionnement.

### Le réfrigérateur fonctionne fréquemment ou pendant de longues périodes.

- Il se peut que le nouvel appareil soit plus grand que l'ancien. Les appareils plus grands fonctionnent plus longtemps.
- La température de la pièce est peut-être trop élevée. >>> Il est normal que l'appareil fonctionne plus longtemps quand la température de la pièce est élevée.
- L'appareil vient peut-être d'être branché ou chargé de nouvelles denrées alimentaires. >>> L'appareil met plus longtemps à atteindre la température réglée s'il vient d'être branché ou récemment rempli de denrées. C'est normal.



- Il est possible que des quantités importantes d'aliments chauds aient été récemment placées dans l'appareil. >>> Ne mettez pas d'aliments chauds à l'intérieur de l'appareil.
- Les portes étaient ouvertes fréquemment ou sont restées longtemps ouvertes. >>> L'air chaud qui se déplace à l'intérieur permet à l'appareil de fonctionner plus longtemps. N'ouvrez pas les portes trop fréquemment.
- Il est possible que la porte du congélateur soit entrouverte. >>> Vérifiez que les portes sont complètement fermées.
- L'appareil peut être réglé à une température trop basse. >>> Réglez la température à un degré supérieur et attendez que l'appareil atteigne la nouvelle température.
- Le joint de la porte du congélateur peut être sale, usé, cassé, ou mal positionné. >>> Nettoyez ou remplacez le joint d'étanchéité. Si le joint du congélateur est endommagé ou arraché, l'appareil prendra plus longtemps à conserver la température actuelle.

**La température du congélateur est très basse, alors que celle du réfrigérateur est appropriée.**

- La température du compartiment congélateur est très basse. >>> Réglez la température du compartiment congélateur à un degré supérieur et vérifiez à nouveau.

**La température du réfrigérateur est très basse, alors que celle du congélateur est appropriée.**

- La température du compartiment réfrigérateur est très basse. >>> Réglez la température du compartiment de refroidissement à un degré supérieur et vérifiez à nouveau.

**Les aliments conservés dans le compartiment réfrigérateur sont congelés.**

- La température du compartiment réfrigérateur est très basse. >>> Réglez la température du compartiment de refroidissement à un degré supérieur et vérifiez à nouveau.

**La température du compartiment réfrigérateur ou congélateur est très élevée.**

- La température du compartiment réfrigérateur est réglée à un degré très élevé. >>> Le réglage de la température du compartiment réfrigérateur a une incidence sur la température du compartiment congélateur. Attendez jusqu'à ce que la température des pièces correspondantes atteigne le niveau d'efficacité requis en changeant la température des compartiments réfrigérateur ou congélateur.
- Les portes étaient ouvertes fréquemment ou sont restées longtemps ouvertes. >>> N'ouvrez pas les portes trop fréquemment.
- La porte peut être entrouverte. >>> Fermez complètement la porte.
- L'appareil vient peut-être d'être branché ou chargé de nouvelles denrées alimentaires. >>> Cela est normal. L'appareil met plus longtemps à atteindre la température réglée s'il vient d'être branché ou récemment rempli de denrées.
- Il est possible que des quantités importantes d'aliments chauds aient été récemment placées dans l'appareil. >>> Ne mettez pas d'aliments chauds à l'intérieur de l'appareil.

**En cas de vibrations ou de bruits.**

- La surface n'est pas plate ou durable >>> Si l'appareil balance lorsqu'il est déplacé doucement, ajustez les supports afin de le remettre en équilibre. Assurez-vous également que le sol est assez solide pour supporter l'appareil.
- Les éléments placés sur l'appareil peuvent être à l'origine du bruit. >>> Retirez tous les éléments placés sur l'appareil.
- L'appareil émet un bruit d'écoulement de liquide ou de pulvérisation, etc.
- Les principes de fonctionnement de l'appareil impliquent des écoulements de liquides et des émissions de gaz. >>> Ceci est normal et ne constitue pas un dysfonctionnement.

**L'appareil émet un sifflement.**

- L'appareil effectue le refroidissement à l'aide d'un ventilateur. Ceci est normal et ne constitue pas un dysfonctionnement.

**Il y a de la condensation sur les parois internes de l'appareil.**

- Un climat chaud ou humide accélère le processus de givrage et de condensation. Ceci est normal et ne constitue pas un dysfonctionnement.
- Les portes étaient ouvertes fréquemment ou sont restées longtemps ouvertes. >>> N'ouvrez pas les portes trop fréquemment ; fermez-les lorsqu'elles sont ouvertes.
- La porte peut être entrouverte. >>> Fermez complètement la porte.

**Il y a de la condensation sur les parois externes ou entre les portes de l'appareil.**

- Il se peut que le climat ambiant soit humide, auquel cas cela est normal. >>> La condensation se dissipera lorsque l'humidité sera réduite.

**Présence d'une odeur désagréable dans l'appareil.**

- L'appareil n'est pas nettoyé régulièrement. >>> Nettoyez régulièrement l'intérieur à l'aide d'une éponge, de l'eau tiède et du carbonate dissout dans l'eau.
- Certains récipients et matériaux d'emballage sont peut-être à l'origine des mauvaises odeurs. >>> Utilisez des récipients et des emballages exempts de toute odeur.
- Les aliments étaient placés dans des récipients ouverts. >>> Conservez les aliments dans des récipients fermés. Des micro-organismes peuvent se proliférer dans des récipients non fermés et émettre de mauvaises odeurs.

- Retirez tous les aliments périmés ou avariés de l'appareil.

**La porte ne se ferme pas.**

- Les paquets d'aliments peuvent bloquer la porte. >>> Déplacez tout ce qui bloque les portes.
- L'appareil ne se tient pas parfaitement droit sur le sol. >>> Ajustez les supports afin de remettre l'appareil en équilibre.
- La surface n'est pas plane ou durable >>> Assurez-vous que la surface est plane et suffisamment durable pour supporter le produit.

**Le bac à légumes est bloqué.**

- Il est possible que les aliments soient en contact avec la section supérieure du bac. >>> Reclassez les aliments dans le bac.

**Température à la surface de l'appareil.**

- Une température élevée peut être observée entre deux portes, sur les panneaux latéraux et sur la zone du gril arrière lorsque votre produit est utilisé. C'est normal et cela ne nécessite pas d'entretien.

**Le ventilateur continue de fonctionner lorsque la porte est ouverte.**

- Le ventilateur peut continuer à fonctionner lorsque la porte du congélateur est ouverte.



**AVERTISSEMENT :** Si le problème persiste même après observation des instructions contenues dans cette partie, contactez votre fournisseur ou un service de maintenance agréé. N'essayez pas de réparer vous-même l'appareil. C'est normal.

**CLAUSE DE NON-RESPONSABILITÉ / AVERTISSEMENT**

Certaines défaillances (simples) peuvent être traitées de manière adéquate par l'utilisateur final sans qu'aucun problème de sécurité ou d'utilisation dangereuse ne survienne, à condition qu'elles soient effec-

tuées dans les limites et conformément aux instructions suivantes (voir la section « Auto-réparation »).

Par conséquent, sauf autorisation contraire dans la section « Auto-réparation » ci-dessous, adressez-vous à des réparateurs professionnels agréés pour toutes réparations afin d'éviter des problèmes de sécurité. Un réparateur professionnel agréé est une personne à qui le fabricant a donné accès aux instructions et à la liste des pièces détachées de ce produit selon les méthodes décrites dans les actes législatifs en application de la directive 2009/125/CE

**Toutefois, seul l'agent de service (c'est-à-dire les réparateurs professionnels agréés) que vous pouvez joindre au numéro de téléphone indiqué dans le manuel d'utilisation/la carte de garantie ou par l'intermédiaire de votre fournisseur agréé peut fournir un service conformément aux conditions de garantie. Par conséquent, veuillez noter que les réparations effectuées par des réparateurs professionnels (qui ne sont pas autorisés par) Marka annulent la garantie.**

#### Auto-réparation

L'auto-réparation peut être effectuée par l'utilisateur final en ce qui concerne les pièces de rechange suivantes : poignées de porte, charnières de porte, plateaux, paniers et joints de porte (une liste mise à jour est également disponible sur à partir du 1er mars 2021).

En outre, pour garantir la sécurité du produit et éviter tout risque de blessure grave, ladite auto-réparation doit être effectuée en suivant les instructions du manuel d'utilisation pour l'auto-réparation ou celles disponibles sur . Pour votre sécurité, débranchez le produit avant de procéder à toute auto-réparation.

Les réparations et tentatives de réparation par les utilisateurs finaux pour des pièces ne figurant pas dans cette liste et/ou ne suivant pas les instructions des manuels d'utilisation pour l'auto-réparation ou celles disponibles sur , pourraient donner lieu à des problèmes de sécurité non imputables à , et annuleront la garantie du produit.

Il est donc fortement recommandé aux utilisateurs finaux de s'abstenir de tenter d'effectuer des réparations ne figurant pas sur la liste des pièces de rechange mentionnée, mais de contacter dans de tels cas des réparateurs professionnels autorisés ou des réparateurs professionnels agréés. Au contraire, de telles tentatives de la part des utilisateurs finaux peuvent causer des problèmes de sécurité et endommager le produit et, par la suite, provoquer un incendie, une inondation, une électrocution et des blessures corporelles graves.

À titre d'exemple, mais sans s'y limiter, vous devez vous adresser à des réparateurs professionnels autorisés ou à des réparateurs professionnels agréés pour les réparations suivantes : compresseur, circuit de refroidissement, carte mère, carte d'inverseur, panneau d'affichage, etc.

Le fabricant/vendeur ne peut être tenu responsable dans tous les cas où les utilisateurs finaux ne se conforment pas à ce qui précède.

La disponibilité des pièces de rechange du réfrigérateur que vous avez acheté est de 10 ans. Pendant cette période, les pièces de rechange d'origine seront disponibles pour faire fonctionner le réfrigérateur correctement.

La durée minimale de garantie du réfrigérateur que vous avez acheté est de 24 mois.

Cet appareil est équipé d'une source d'éclairage de classe énergétique « G ».

La source d'éclairage de cet appareil ne doit être remplacée que par des réparateurs professionnels.



Voir également



## ¡Lea primero este manual!

Estimado cliente,

**Por favor, lea este manual antes de usar el aparato.**

Gracias por elegir este aparato de . Nos gustaría que usted alcanzara la eficiencia óptima de este aparato de alta calidad que fue fabricado utilizando la tecnología más avanzada. A tal fin, antes de utilizar el aparato, lea detenidamente este manual y cualquier otra documentación que se le facilite y consérvela como referencia.

Preste atención a toda la información así como a las advertencias contenidas en el manual de usuario. Esto le permitirá protegerse a sí mismo y a su aparato contra los peligros que puedan surgir.

Guarde el manual de usuario. Incluya este manual con la unidad si se la entrega a otra persona.

**Los siguientes símbolos se utilizan en el manual del usuario:**



Peligro que puede provocar la muerte o lesiones.



Información importante o consejos útiles sobre el funcionamiento.







Lea el manual de instrucciones.



Material combustible, advertencia de riesgo de incendio.

AVISO Peligro que puede causar daños materiales al aparato o a su entorno

		<p>Se puede acceder a la información del modelo almacenada en la base de datos del aparato ingresando al siguiente sitio web y buscando el identificador de su modelo (*) que se encuentra en la etiqueta energética.</p> <p><a href="https://eprel.ec.europa.eu/">https://eprel.ec.europa.eu/</a></p>
SUPPLIER'S NAME	MODEL IDENTIFIER → (*)	
		

## Tabla de contenidos

<b>1</b>	<b>Instrucciones de seguridad .....</b>	<b>70</b>
1.1	Intención de uso .....	70
1.2	Seguridad de Niños, Personas Vulnerables y Mascotas.....	70
1.3	Seguridad eléctrica .....	71
1.4	Seguridad en el manejo .....	72
1.5	Seguridad de la instalación .....	72
1.6	Seguridad Operacional.....	74
1.7	Seguridad en el almacenamiento de alimentos .....	77
1.8	Seguridad de mantenimiento y limpieza.....	77
1.9	Desecho del Producto Usado .....	78
<b>2</b>	<b>Instrucciones medioambientales .....</b>	<b>79</b>
2.1	Cumplimiento de la Directiva RA-EE y eliminación del producto de desecho:.....	79
<b>3</b>	<b>El frigorífico .....</b>	<b>80</b>
<b>4</b>	<b>Instalación .....</b>	<b>80</b>
4.1	Lugar correcto para la instalación .....	80
4.2	Conexión eléctrica.....	81
4.3	Colocación de las cuñas de plástico.....	81
4.4	Ajuste de las patas.....	82
4.5	Advertencia de superficie caliente.....	82
<b>5</b>	<b>Cambio de dirección de la puerta .....</b>	<b>82</b>
<b>6</b>	<b>Preparación .....</b>	<b>82</b>
6.1	Qué hacer para ahorrar energía....	83
6.2	Uso de primera vez.....	83
6.3	Clase climática y definiciones.....	84
<b>7</b>	<b>Funcionamiento del producto .....</b>	<b>84</b>
<b>8</b>	<b>Uso de su electrodoméstico.....</b>	<b>84</b>
8.1	Panel de Control del Producto.....	84
8.2	Descongelación .....	85
8.3	Almacenamiento de alimentos en el compartimento de la nevera.....	86
8.4	Sustitución de la lámpara de iluminación .....	91
8.5	Inversión del lado de apertura de la puerta .....	91
8.6	Cajón para frutas y verduras con control de humedad .....	91

8.7	Tecnologías para el cajón de fruta y verdura.....	92
8.8	Zona de depósito de hielo.....	92
<b>9</b>	<b>Mantenimiento y limpieza.....</b>	<b>92</b>
<b>10</b>	<b>Solución de problemas .....</b>	<b>93</b>

ES



## 1 Instrucciones de seguridad

Esta sección incluye las instrucciones de seguridad necesarias para evitar riesgos de lesiones personales o daños materiales. Nuestra empresa no se hace responsable de los daños que puedan ocurrir de no seguir estas instrucciones.

Las operaciones de instalación y reparación deberán ser realizadas siempre por un servicio autorizado.

Utilice únicamente repuestos y accesorios originales.

Las piezas de repuesto originales se proporcionarán durante 10 años, a partir de la fecha de compra del producto.

No repare ni reemplace ningún componente del aparato a menos que esté claramente especificado en el manual del usuario.

No realice ninguna modificación en el producto.



### 1.1 Intención de uso

Este aparato no es apto para uso comercial y no debe usarse para otro fin que no sea el previsto. Este aparato está diseñado para usarse en interiores, en el hogar y lugares similares.

Por ejemplo:

- En las cocinas del personal de las tiendas, oficinas y otros entornos de trabajo,
- En casas de campo,
- En las unidades de hoteles, moteles u otras instalaciones de descanso que sean utilizadas por los clientes,
- En albergues, o ambientes similares,
- En servicios de catering y aplicaciones similares no minoristas.

Este aparato no se debe usar en entornos externos abiertos o cerrados, como embarcaciones, balcones o terrazas. Exponer el aparato a la lluvia, la nieve, la luz solar y el viento puede conllevar un riesgo de incendio.



### 1.2 Seguridad de Niños, Personas Vulnerables y Mascotas

- Este aparato puede ser utilizado por niños mayores de 8 años y personas con capacidades físicas, sensoriales o mentales subdesarrolladas o falta de experiencia y conocimiento si están bajo supervisión o han recibido instrucciones sobre el uso del aparato de manera segura y la peligros involucrados.

- A los niños entre 3 y 8 años se les permite poner y sacar alimentos del frigorífico.
- Los niños y los animales domésticos no deben jugar, subirse o entrar en el aparato.
- Los niños y los animales domésticos deben mantenerse alejados de la zona de la cabina (compresor) donde se encuentran las piezas eléctricas.
- La limpieza y el mantenimiento por parte del usuario no deben ser realizados por niños, a menos que haya alguien que los supervise.
- Mantenga los materiales de embalaje fuera del alcance de los niños. Riesgo de lesiones y asfixia.

### 1.3 Seguridad eléctrica

- El aparato no debe estar enchufado durante las operaciones de instalación, mantenimiento, limpieza y reparación.
- Si el cable de corriente está dañado, debe ser reemplazado únicamente por un servicio autorizado para evitar cualquier riesgo que pueda ocurrir.
- No meta el cable de corriente debajo del aparato o en la parte trasera del producto. No coloque objetos pesados sobre el cable de corriente. El cable de corriente no debe doblarse, aplastarse ni entrar en contacto con ninguna fuente de calor.
- No utilice un cable extensor, un enchufe múltiple o un adaptador en el funcionamiento de su aparato.
- Los enchufes múltiples portátiles o las fuentes de corriente portátiles pueden sobrecalentarse y provocar incendios. Por lo tanto, no tenga fuentes de alimentación portátiles con varios enchufes detrás o cerca del producto.
- No enchufe el cable de corriente del aparato en una toma de corriente floja o dañada. Este tipo de conexiones pueden provocar sobrecalentamiento e incendio.
- El enchufe debe ser fácilmente accesible. Si esto no es posible, la instalación eléctrica deberá incluir un mecanismo que cumpla con la reglamentación eléctrica y que desconecte todos los terminales de la red eléctrica (fusible, interruptor, interruptor principal, etc.).
- El aparato no debe funcionar con un dispositivo de conmutación externo, como un temporizador, o un sistema controlado a distancia.



- No utilice el producto con los pies desnudos o el cuerpo mojado.
- No toque el enchufe con las manos mojadas.
- Al desenchufar el aparato, no sujete el cable de corriente, sino el enchufe.

#### 1.4 Seguridad en el manejo

- Asegúrese de desenchufar el aparato antes de transportar el producto.
- Este aparato es pesado, no debe ser manipulado por una sola persona. Puede sufrir lesiones si el producto se le cae encima. No golpee ni deje caer el producto durante el transporte.
- Cierre siempre las puertas y no sujete el producto por las puertas mientras lo transporta.
- Tenga cuidado de no dañar el sistema de enfriamiento y las tuberías mientras manipula el aparato. No utilice el aparato si los tubos están dañados y comuníquese con un Servicio autorizado.

#### 1.5 Seguridad de la instalación

- Contacte con el servicio técnico autorizado para la instalación del aparato. Consulte el manual de instrucciones a fin de preparar el aparato para su

uso; asegúrese de que la instalación eléctrica y el suministro de agua son correctos. Si no es así, llame a un electricista y a un fontanero especializados para que se encarguen de los servicios necesarios. Si no lo hace, podría sufrir una descarga eléctrica, un incendio, problemas con el aparato o lesiones.

- Este aparato está diseñado para utilizarse a una altitud máxima de 2000 metros sobre el nivel del mar.
- Mantenga a los niños lejos de la zona de instalación.
- Busque daños en el aparato antes de instalarlo. No instale el aparato si está dañado.
- Utilice siempre equipo de protección personal (guantes, etc.) durante la instalación, el mantenimiento y la reparación del aparato. ¡Riesgo de lesiones!
- Coloque el aparato sobre una superficie limpia, nivelada y dura y equilíbrela con las patas ajustables (girando los pies delanteros hacia la derecha o hacia la izquierda). De lo contrario, el frigorífico podría volcarse y causar lesiones.
- El aparato deberá ser instalado en un ambiente seco y ventilado. No guarde alfombras, mo-

- quetas o cubiertas similares debajo del aparato. ¡Esto puede resultar en un riesgo de incendio debido a una ventilación inadecuada!
- No bloquee ni cubra los orificios de ventilación. De lo contrario, aumenta el consumo de energía y el aparato puede resultar dañado.
  - Al colocar el aparato, asegúrese de que el cable de corriente no esté dañado ni pinzado.
  - No conecte el aparato a fuentes de corriente o de electricidad que puedan provocar cambios bruscos de tensión (por ejemplo, una fuente de energía solar portátil). De lo contrario, pueden producirse daños en su aparato como resultado de las fluctuaciones bruscas de voltaje.
  - Cuanto más refrigerante contenga un frigorífico, mayor será su espacio de instalación. En habitaciones muy pequeñas, puede producirse una mezcla inflamable de gas-aire en caso de una fuga de gas en el sistema de enfriamiento. Se requiere al menos 1 m<sup>3</sup> de volumen por cada 8 gramos de refrigerante. La cantidad de refrigerante disponible en su aparato se especifica en la Etiqueta de tipo.
  - No coloque nunca el aparato de forma que los cables de corriente, la manguera metálica de la estufa de gas, las tuberías metálicas de gas o de agua entren en contacto con la pared trasera del aparato (o con el condensador).
  - El lugar de instalación del aparato no debe estar expuesto a la luz solar directa y no debe estar cerca de una fuente de calor como estufas, radiadores, etc. Si no puede evitar su instalación cerca de una fuente de calor, utilice una placa aislante adecuada y asegúrese de que la distancia mínima a la fuente de calor es la especificada a continuación:
    - Al menos 30 cm de distancia de fuentes de calor como estufas, hornos, calefactores y calefactores, etc.,
    - Y al menos 5 cm de distancia de hornos eléctricos.
  - Su aparato tiene la clase de protección I.
  - Enchufe el aparato en un enchufe con conexión a tierra que cumpla con los valores de voltaje, corriente y frecuencia especificados en la etiqueta de tipo. El enchufe debe tener un fusible de 10A – 16A. Nuestra empresa no asumirá responsabilidad alguna por daños debi-

dos a un uso sin toma de tierra y sin conexión eléctrica conforme a la normativa local y nacional.

- El cable de corriente del aparato debe ser desenchufado durante la instalación. De lo contrario, puede producirse una descarga eléctrica y lesiones.
- No enchufe el cable de corriente del aparato en tomas sueltas, dislocadas, rotas, sucias, aceitosas y con riesgo de contacto con el agua. Este tipo de conexiones pueden provocar sobrecalentamiento e incendio.
- Coloque el cable de corriente y las mangueras (si las hubiera) del aparato de forma que no provoquen riesgo de tropiezo.
- La penetración de humedad y líquido en las piezas bajo tensión o en el cable de corriente puede provocar un cortocircuito. Por lo tanto, no use el aparato en ambientes húmedos o en áreas donde el agua pueda salpicar (por ejemplo, garaje, lavandería, etc.) Si el frigorífico está mojado por el agua, desenchúfelo y comuníquese con un Servicio autorizado para recibir instrucciones.

- Nunca conecte su frigorífico a dispositivos de ahorro energético. Estos sistemas son perjudiciales para el aparato.
- Existe riesgo de contacto con piezas eléctricas al retirar la cubierta de la placa electrónica y la cubierta trasera del compresor (si está instalada). No retire la cubierta de la placa electrónica ni la cubierta trasera del compresor (si está instalada). Existe riesgo de electrocución.

### 1.6 Seguridad Operacional

- Nunca utilice disolventes químicos en el producto. Estos materiales contienen un riesgo de explosión.
- En caso de falla del aparato, desenchúfelo y no lo opere hasta que sea reparado por el Servicio autorizado. ¡Existe el riesgo de descarga eléctrica!
- No coloque una fuente de llamas (por ejemplo, velas, cigarrillos, etc.) sobre el aparato o cerca de él.
- No se suba en el aparato. ¡Riesgo de caídas y lesiones!
- No provoque daños en las tuberías del sistema de enfriamiento con herramientas afiladas y perforantes. El refrigerante que sale pulverizado en

caso de perforar las tuberías de gas, las extensiones de tuberías o los revestimientos de la superficie superior puede causar irritación de la piel y lesiones en los ojos.

- No coloque ni ponga en funcionamiento aparatos eléctricos en el interior del frigorífico/ congelador a menos que así lo aconseje el fabricante.
- No atasque ninguna parte de sus manos o su cuerpo con las partes móviles dentro del aparato. Tenga cuidado de evitar que sus dedos se atasquen entre el frigorífico y su puerta. Tenga cuidado al abrir o cerrar la puerta si hay niños cerca.
- No lleve a su boca helado, cubitos de hielo o alimentos congelados en seguida de que los saque del congelador. ¡Peligro de congelación!
- No toque las paredes internas, las partes metálicas del congelador o los alimentos guardados dentro del congelador con las manos mojadas. ¡Peligro de congelación!
- No coloque latas de refresco o latas y botellas que contengan líquidos que puedan congelarse en el compartimiento del congelador. Las latas o bote-

llas pueden explotar. ¡Peligro de lesiones y daños materiales!

- No use ni coloque materiales sensibles a la temperatura como aerosoles inflamables, objetos inflamables, hielo seco u otros agentes químicos cerca del frigorífico. ¡Peligro de incendio y explosión!
- No guarde materiales explosivos como latas de aerosol con materiales inflamables dentro del aparato.
- No coloque latas que contengan líquidos sobre el producto en estado abierto. Las salpicaduras de agua sobre una pieza eléctrica pueden provocar una descarga eléctrica o un incendio.
- Debido al riesgo de rotura, no guarde recipientes de vidrio con líquido en su interior en el congelador.
- Este aparato no ha sido diseñado para el almacenamiento y enfriamiento de medicamentos, plasma sanguíneo, preparaciones de laboratorio o materiales y productos similares sujetos a la Directiva de productos médicos.

- No usar el aparato para su propósito previsto, puede causar daños o deterioro de los productos que se guardan en su interior.
- Si su frigorífico está equipado con luz azul, no mire esta luz con dispositivos ópticos. No mire directamente a la luz LED UV durante mucho tiempo. Los rayos ultravioleta pueden causar fatiga visual.
- No llene el producto con un contenido superior a su capacidad. Pueden ocurrir lesiones o daños si el contenido del frigorífico se cae cuando se abre la puerta. También pueden ocurrir problemas similares cuando se coloca un objeto sobre el producto.
- Asegúrese de haber eliminado el hielo o el agua que pueda haber caído al piso para evitar lesiones.
- Cambie la ubicación de las rejillas/rejillas para botellas en la puerta del frigorífico sólo cuando las rejillas estén vacías. ¡Existe peligro de dañarse!
- No coloque objetos que puedan caerse o volcarse sobre el producto. Estos objetos pueden caerse al abrir o cerrar la puerta y causar lesiones y / o daños materiales.
- No golpee ni ejerza una presión excesiva sobre las superficies de vidrio. Los vidrios rotos pueden causar lesiones y / o daños materiales.
- El sistema de enfriamiento de su aparato contiene refrigerante R600a. El tipo de refrigerante utilizado en el producto está especificado en la etiqueta de tipo. Este gas es inflamable. Por lo tanto, tenga cuidado de no dañar el sistema de enfriamiento y las tuberías mientras opera el aparato. En caso de daños a las tuberías:
  1. No toque el aparato ni el cable de corriente.
  2. Mantenga el aparato alejado de posibles fuentes de fuego que puedan provocar que el aparato se incendie.
  3. Ventilar el área donde se coloca el producto. No use un ventilador.
  4. Póngase en contacto con el servicio técnico autorizado.Si el aparato está dañado y observa fugas de gas, manténgase alejado del gas. El gas puede causar congelación si entra en contacto con su piel.  
Antes de desechar aparatos viejos que ya no se utilizarán:
  1. desenchufe el cable de corriente de la toma de corriente;

2. Corte el cable de corriente y retírelo del aparato junto con el enchufe.
3. no retire los estantes y cajones del aparato para así evitar que los niños entren en el aparato;
4. retire las puertas;
5. enclaustre el aparato para que no se vuelque;
6. No permita que los niños jueguen con el aparato viejo;
  - no destruya el aparato arrojándolo al fuego. Riesgo de explosión.
  - Si la puerta del producto dispone de cerradura, mantenga la llave fuera del alcance de los niños.

### 1.7 Seguridad en el almacenamiento de alimentos

Preste atención a las siguientes advertencias para evitar el deterioro de los alimentos:

- Dejar las puertas abiertas durante mucho tiempo puede hacer que aumente la temperatura en el interior del producto.
- Limpie regularmente los sistemas de drenaje accesibles en contacto con alimentos.
- Limpiar los depósitos de agua que no se hayan utilizado durante 48 horas y los sistemas

- de agua de red que no se hayan utilizado durante más de 5 días.
- Almacene los productos de carne y pescado crudos en compartimentos apropiados dentro del producto. Así, no gotea ni entra en contacto con otros alimentos.
- Los compartimentos congeladores de dos estrellas se utilizan para almacenar alimentos precargados, hacer y almacenar hielo y helados.
- Los compartimentos de una, dos y tres estrellas no son apropiados para congelar alimentos frescos.
- Si el frigorífico se ha dejado vacío durante mucho tiempo, apáguelo, descongélelo, límpielo y séquelo para proteger la carcasa del aparato.

### 1.8 Seguridad de mantenimiento y limpieza

- No tire de la manija de la puerta si va a mover el aparato para limpiarlo. La manija puede causar lesiones si se le tira con demasiada fuerza.
- No limpie el aparato rociando o vertiendo agua sobre el aparato y dentro del mismo. Riesgo de descarga eléctrica e incendio.

- Al limpiar el producto, no utilice herramientas afiladas y abrasivas ni productos de limpieza domésticos, detergentes, gas, gasolina, diluyentes, alcohol, barnices y sustancias similares. Utilice únicamente productos de limpieza y mantenimiento que no sean nocivos para los alimentos del interior del producto.
- Nunca utilice vapor o productos de limpieza al vapor para limpiar el aparato y descongelar el hielo que contiene. El vapor entra en contacto con las áreas activas de su frigorífico y provoca un cortocircuito o una descarga eléctrica.
- Tenga cuidado de mantener el agua lejos de los circuitos electrónicos o la iluminación del aparato.
- Use un paño limpio y seco para limpiar el polvo o cualquier material extraño en las puntas de los enchufes. No utilice un paño húmedo o mojado para limpiar el enchufe. De lo contrario, puede producirse un incendio o una descarga eléctrica.



## 1.9 Desecho del Producto Usado

A la hora de desechar el producto usado, respete las siguientes instrucciones:

- Desconecte la cerradura de la puerta, si existe, para evitar que los niños se queden encerrados accidentalmente en el producto.
- Las salpicaduras de refrigerante son perjudiciales para los ojos. Al desechar el producto, no dañe ninguna pieza del sistema de refrigeración.
- La ingestión del aceite del compresor o su penetración en las vías respiratorias puede ser mortal.
- El sistema de enfriamiento de su producto incluye el gas R600a especificado en la placa de características. Este gas es inflamable. no destruya el aparato arrojándolo al fuego.  
¡Riesgo de explosión!
- EL C -Pentano se utiliza como agente espumante en la espuma aislante y es una sustancia inflamable. no destruya el aparato arrojándolo al fuego.

## 2 Instrucciones medioambientales

### 2.1 Cumplimiento de la Directiva RAEE y eliminación del producto de desecho:



Este aparato cumple con la Directiva WEEE (RAEE) de la UE (2012/19/EU). Este aparato lleva un símbolo de la clasificación de los equipos eléctricos y electrónicos WEEE (RAEE).

Este símbolo indica que este aparato no debe desecharse con otros desechos domésticos al final de su vida útil. El aparato usado debe ser entregado en el punto de recogida oficial para el reciclaje de aparatos eléctricos y electrónicos. Para encontrar estos puntos de limpieza, por favor, póngase en contacto con las autoridades locales o con la tienda en la que compró el aparato. Cada hogar desempeña un papel importante en la recuperación y el reciclaje de

los aparatos viejos. La eliminación apropiada de los aparatos usados ayuda a prevenir posibles consecuencias negativas en el medio ambiente y la salud humana.

ES

### Cumplimiento de la directiva RoHS

El aparato que ha adquirido cumple con la Directiva de UE RoHS (2011/65/UE). No contiene materiales nocivos ni prohibidos especificados en la Directiva.



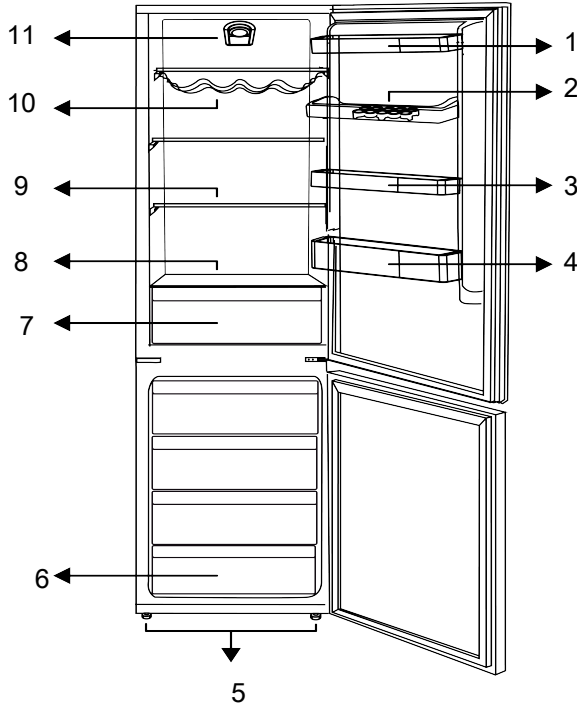
### Información de embalaje

Los materiales de embalaje del aparato se fabrican con material reciclable, de acuerdo con nuestra Reglamentación Nacional para el Medio Ambiente. No desechar el embalaje junto con la basura doméstica ni similares. Llévelos a los puntos de recolección de material de embalaje designados por las autoridades locales.



### 3 El frigorífico

ES



- 1 Estante de puerta
- 3 Estante de puerta
- 5 Patas Ajustables
- 7 Compartimento de Productos Lácteos
- 9 Estante ajustable
- 11 Botón de Control de Temperatura

- 2 Huevera
- 4 Botellero
- 6 Cajones de Alimentos Congelados
- 8 Cubierta y Vidrio del Compartimento del Enfriador
- 10 Botellero

**\*Opcional:** Las imágenes de este manual de usuario son esquemáticas; es posible que no coincidan exactamente con su pro-

ducto. Si el aparato no contiene las partes pertinentes, entonces la información pertenece a otros modelos.

### 4 Instalación



¡Primero lea la sección de "Instrucciones de Seguridad"!

#### 4.1 Lugar correcto para la instalación

Contacte con el Servicio Autorizado para la instalación del producto. Para preparar el aparato para la instalación, consulte la in-

formación en el manual del usuario y asegúrese de que los servicios de electricidad y agua sean los necesarios. De lo contrario, llame a un electricista y plomero para organizar los servicios públicos según sea necesario.



**ADVERTENCIA:**

El fabricante no asume ninguna responsabilidad por los daños causados por el trabajo realizado por personas no autorizadas.



**ADVERTENCIA:**

El cable de corriente del aparato debe ser desenchufado durante la instalación. ¡El no hacerlo puede resultar en la muerte o lesiones graves!



**ADVERTENCIA:**

Si el espacio de la puerta es demasiado estrecho para que el aparato pase, quite la puerta y gire el aparato hacia los lados, y si esto no funciona, póngase en contacto con el servicio técnico autorizado.

- Coloque el aparato sobre una superficie plana para evitar vibraciones.
- Coloque el aparato al menos a 30 cm de distancia del calentador, estufa o fuentes de calor y por lo menos a 5 cm de distancia de hornos eléctricos.
- No exponga el aparato a la luz solar directa ni lo guarde en ambientes húmedos.
- Su aparato requiere una circulación de aire adecuada para funcionar eficientemente. Si el aparato va a ser colocado en un hueco, recuerde dejar al menos 5 cm de espacio entre el aparato y el techo, la pared trasera y las paredes laterales.
- Compruebe si el componente de protección de la parte trasera se encuentra colocado en su lugar (en caso de ser suministrado con el aparato).
- Si el componente no está disponible, o si se pierde o se cae, coloque el aparato de manera que quede un espacio libre, de al menos 5 cm, entre la superficie trasera

del aparato y la pared de la habitación. El espacio libre en la parte trasera es importante para el funcionamiento eficiente del aparato.

## 4.2 Conexión eléctrica



No utilice alargadores de cables ni enchufes múltiples, en la conexión de corriente.



Un cable de corriente dañado deberá ser reemplazado por el Servicio Autorizado.

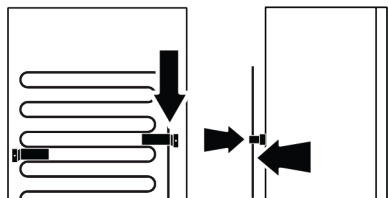


Al colocar dos frigoríficos en posición adyacente, deje al menos 4 cm de distancia entre las dos unidades.

- Nuestra empresa no asumirá la responsabilidad de cualquier daño debido al uso sin conexión de tierra y a la electricidad en el cumplimiento de las normativas nacionales.
- El enchufe del cable de corriente debe ser de fácil acceso después de la instalación.
- No utilice un enchufe multigrupo con o sin cable de extensión entre la toma de pared y el frigorífico.

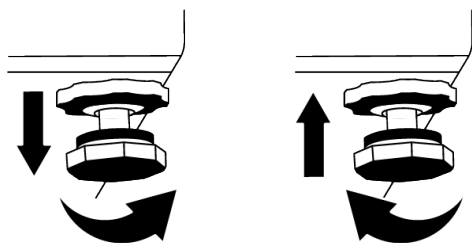
## 4.3 Colocación de las cuñas de plástico

El condensador del frigorífico está situado en la parte trasera. Para minimizar el consumo de energía y aumentar la eficiencia energética, se debe tirar hacia atrás de la parte inferior del condensador, y fijarse como se muestra en la imagen. Cuando se tira del condensador hacia atrás, los soportes derecho e izquierdo superiores se bloquean y la posición del condensador queda asegurada.



#### 4.4 Ajuste de las patas

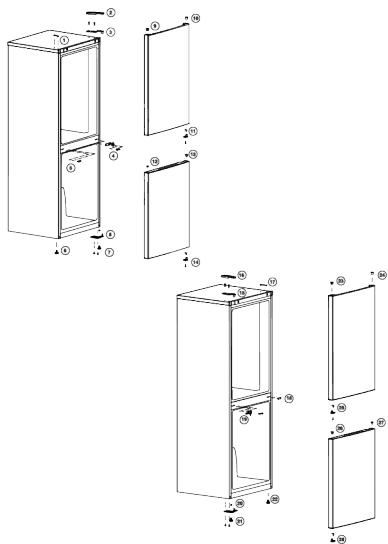
Si el aparato no está en una posición equilibrada, ajuste las patas delanteras ajustables girándolas hacia la derecha o hacia la izquierda.



#### 4.5 Advertencia de superficie caliente

En las paredes laterales de su aparato existen tubos de enfriamiento para mejorar el sistema de refrigeración. Es posible que el fluido a alta presión fluya a través de estas superficies y ocasione superficies calientes en las paredes laterales. Esto es normal y no requiere servicio. Tenga cuidado cuando toca estas áreas.

### 5 Cambio de dirección de la puerta



### 6 Preparación

**!** ¡Primero lea la sección de "Instrucciones de Seguridad"!

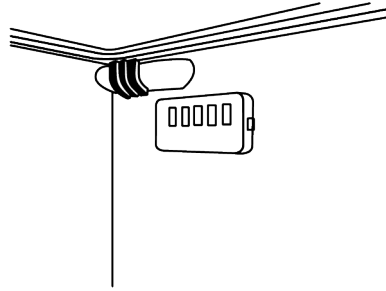
## 6.1 Qué hacer para ahorrar energía



La conexión del aparato a sistemas de ahorro de energía electrónica es perjudicial, ya que puede dañar el aparato.

- Este aparato de refrigeración no está diseñado para ser utilizado como un aparato empotrado.
- No mantenga las puertas del refrigerador abiertas por largos periodos.
- No coloque alimentos ni bebidas calientes en el refrigerador.
- No llene demasiado el refrigerador, bloquear el flujo de aire interno reducirá la capacidad de enfriamiento.
- Como el aire caliente y húmedo no penetra directamente en su aparato cuando las puertas no están abiertas, su aparato se optimiza en condiciones suficientes para proteger su comida. En estas circunstancias, las funciones y los componentes como el compresor, el ventilador, la calefacción, el desescarche, la iluminación, la pantalla, etc., funcionarán según las necesidades consumiendo el mínimo de energía.
- En caso de que haya varias opciones, los estantes de cristal deben colocarse de forma que las salidas de aire en la pared trasera no queden bloqueadas y, preferiblemente, de forma que las salidas de aire queden por debajo del estante de cristal. Esta combinación podría ayudar a mejorar la distribución del aire y la eficiencia energética.
- Se recomienda enfáticamente usar el cajón de abajo cuando se almacene.
- Dependiendo de las características del aparato, descongelar los alimentos congelados en el frigorífico garantizará el ahorro energético y preservará la calidad de los alimentos.
- Para cargar la cantidad máxima de alimentos en el compartimento congelador de su refrigerador, se pueden sacar los cajones superiores y colocar los alimentos en los estantes de alambre/vidrio.

- Asegúrese de que los alimentos no estén en contacto con el sensor de temperatura del compartimento refrigerador descrito a continuación.





- Si están en contacto con el sensor, el consumo de energía del aparato puede aumentar
- Para garantizar el ahorro de energía y proteger los alimentos en mejores condiciones los alimentos se almacenarán en los cajones del frigorífico.
- Los paquetes de alimentos no deben estar en contacto directo con el sensor de temperatura ubicado en el compartimento del congelador.


## 6.2 Uso de primera vez

Antes de usar su refrigerador, asegúrese de que se hayan realizado los preparativos necesarios de acuerdo con las instrucciones de las secciones "Instrucciones de seguridad y medio ambiente" e "Instalación".

- Mantenga el aparato en funcionamiento sin colocar comida en su interior durante 6 horas y no abra la puerta, a menos que sea absolutamente necesario.
- El cambio de temperatura causado por abrir y cerrar la puerta mientras se usa el aparato normalmente puede provocar condensación en los estantes de la puerta/cuerpo y la cristalería colocada en el producto.

 Un sonido se escuchará cuando el compresor esté activado. Es normal que el aparato haga ruido incluso si el compresor no está funcionando, ya que el líquido y el gas pueden estar comprimidos en el sistema de refrigeración.

 Es normal que los bordes delanteros del refrigerador se sientan cálidos. Estas áreas están diseñadas para calentarse con el fin de evitar la condensación.


 Para algunos modelos, el panel indicador se apaga automáticamente 1 minuto después de que se cierra la puerta. Se reactivará cuando se abra la puerta o se presione cualquier botón.

### 6.3 Clase climática y definiciones

Consulte la clase climática en la placa de características de su dispositivo. Una de las siguientes informaciones es aplicable a su dispositivo según la clase climática.

- **Número de serie:** Clima templado a largo plazo: Este dispositivo de refrigeración está diseñado para su uso a temperaturas ambiente entre 10 °C y 32 °C.
- **NORTE:** Clima templado: Este dispositivo de refrigeración está diseñado para su uso a temperaturas ambiente entre 16°C y 32 °C.
- **S T:** Clima subtropical: Este dispositivo de refrigeración está diseñado para su uso a temperaturas ambiente entre 16°C y 38°C.
- **T:** Clima tropical: Este dispositivo de refrigeración está diseñado para su uso a temperaturas ambiente entre 16°C y 43°C.

## 7 Funcionamiento del producto

 ¡Primero lea la sección de "Instrucciones de Seguridad"!

- Para agilizar la operación de descongelación, no utilice ninguna herramienta mecánica ni ninguna otra que no sea la recomendada por el fabricante.
- Las partes del frigorífico tales como la puerta y los cajones no se deben utilizar como soporte ni como escalón. Esto podría causar que el el aparato se vuelque o que se dañen sus componentes.
- El aparato se utilizará solamente para almacenar alimentos.

- Cierre la válvula de agua si estará fuera de casa (por ejemplo, de vacaciones) y no utilizará el Icematic o el dispensador de agua durante un largo período de tiempo. En caso contrario, pueden producirse fugas de agua.

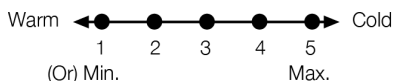
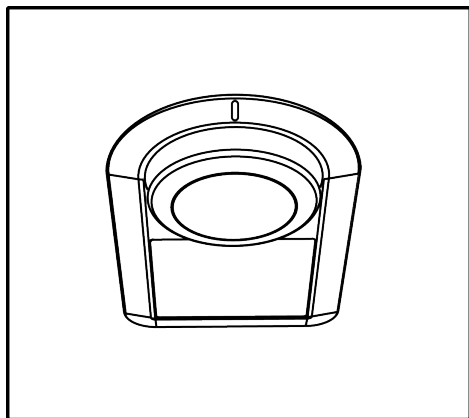
### Pausando el programa

- Si no va a utilizar el aparato durante mucho tiempo, desenchúfelo de la toma de corriente.
- Retire la comida para evitar olores.
- Espere a que se derrita el hielo, limpie el interior y déjelo secar, deje las puertas abiertas para no dañar los plásticos internos de la carrocería.

## 8 Uso de su electrodoméstico

### 8.1 Panel de Control del Producto

La temperatura de funcionamiento se establece mediante el control de temperatura.



- 0=Enfriamiento del sistema
- 1=Configuración de refrigeración más baja (Configuración más cálida)
- 5=Configuración de refrigeración más alta (configuración más fría)

La temperatura media en el interior del compartimento frigorífico debe rondar los +5°C.

Seleccione un ajuste basado en la temperatura deseada.

Tenga en cuenta que habrá diferentes temperaturas en el área de enfriamiento.

La zona más fría está justo encima del cajón para verduras.

La temperatura interior también depende de la temperatura ambiente, la frecuencia con la que se abre la puerta y la cantidad de alimentos almacenados en el frigorífico.

La apertura frecuente de la puerta hace que aumente la temperatura interna.

Por lo tanto, se recomienda cerrar la puerta lo antes posible después de abrirla por cualquier motivo.

La temperatura interna de su refrigerador puede cambiar debido a las siguientes razones:

- Temperaturas estacionales;
- Abrir la puerta con frecuencia y dejarla abierta mucho tiempo;

- Colocar los alimentos en el frigorífico sin esperar a que alcancen la temperatura ambiente;
- La ubicación del frigorífico en la habitación (por ejemplo, exposición a la luz solar).

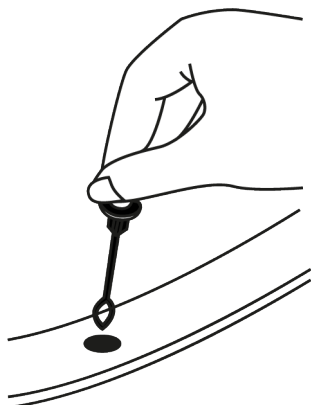
Puede ajustar la temperatura interna variable debido a tales razones usando el termostato.

## 8.2 Descongelación

### A) Frigorífico

La descongelación del frigorífico se realiza automáticamente. Durante la descongelación, pueden formarse gotas de agua en la parte trasera del compartimento frigorífico, donde se encuentra el evaporador oculto. Algunas gotas pueden permanecer en el revestimiento y volver a congelarse cuando se complete la descongelación. No permita que los objetos del frigorífico entren en contacto con la pared trasera, ya que las gotas de agua provocarán que se mojen. No utilice objetos puntiagudos o afilados como cuchillos, tenedores, etc. para retirar las gotas congeladas.

En caso de que el agua de descongelación no salga por el canal de recogida, compruebe que no haya restos de comida que obstruyan la tubería de desagüe. Para limpiar la tubería de desagüe, empuje el émbolo de plástico especial suministrado por la tubería de desagüe. Si la capa de hielo alcanza 7 mm (1/4") de grosor, baje el ajuste para reiniciar la descongelación automática.



### B) Compartimento congelador

La descongelación es muy sencilla y sin complicaciones gracias a un recipiente especial de recogida de la descongelación. Descongele dos veces al año o cuando se haya formado una capa de escarcha de unos 7 mm (1/4"). Para empezar a descongelar, apague el aparato en la toma eléctrica y desenchufe el cable de corriente.

Todos los alimentos deben envolverse en varias capas de papel de periódico y guardarse en un lugar fresco (por ejemplo, la nevera o la despensa).

Si desea acelerar al máximo el proceso de descongelación, coloque recipientes con agua caliente en el interior del congelador con cuidado.

No utilice objetos puntiagudos o con bordes afilados, como cuchillos o tenedores, para retirar la escarcha.

No utilice nunca secadores de pelo, calefactores eléctricos ni otros aparatos eléctricos de este tipo para la descongelación.

Seque el agua de descongelación que se haya acumulado debajo del congelador con una esponja. Secar bien el interior después de la descongelación.

## 8.3 Almacenamiento de alimentos en el compartimento de la nevera

### Almacenamiento de alimentos en el compartimento de la nevera

- La temperatura del compartimento aumenta considerablemente si la puerta del compartimento se abre y se cierra con frecuencia y se mantiene abierta durante mucho tiempo, lo que puede reducir la vida útil de los alimentos y hacer que se estropeen.
- Para que no se produzcan cambios de olor y sabor, los alimentos deben almacenarse en los recipientes cerrados.
- No almacene demasiados alimentos en el refrigerador. Para conseguir un enfriamiento mejor y homogéneo, coloque los alimentos por separado de forma que el aire frío pueda circular por ellos.
- Proporcione un flujo de aire dejando un espacio entre los alimentos y la pared interna. Si apoya los alimentos contra la pared posterior, éstos pueden congelarse.

- Lleve los alimentos calientes cocinados a la temperatura ambiente antes de colocarlos en el refrigerador. A continuación, puede colocar la comida tibia en los estantes inferiores de su refrigerador. No coloque las comidas tibias cerca de los alimentos que pueden estropearse fácilmente.
- Sobre todo, preste atención a no mezclar los alimentos que se venden como congelados con los frescos.
- Descongele los alimentos congelados en el compartimento de alimentos frescos. De este modo, podrá enfriar el compartimento de alimentos frescos con los congelados y ahorrar energía.
- Almacenar las frutas tropicales no maduras (mango, variedades de melón, papaya, plátano, piña) en el refrigerador puede acelerar el proceso de maduración. Esto no es recomendable porque acortaría el tiempo de almacenamiento.

- Las cebollas, los ajos, los jengibres y otras hortalizas de raíz deben almacenarse en condiciones de oscuridad y en cámaras frigoríficas, no en el refrigerador.
- Si observa que un alimento se ha estropeado en el refrigerador, tire ese alimento y limpie los accesorios que hayan estado en contacto con él.
- Para enfriar rápidamente las comidas como sopas y guisos, que se cocinan en las ollas grandes, puedes ponerlas en el refrigerador separándolas en sus propios recipientes poco profundos.
- No coloque alimentos sin envasar cerca de los huevos.
- Guarda las frutas y verduras por separado y almacena cada variedad junta (por ejemplo; las manzanas con las manzanas, las zanahorias con las zanahorias)
- Sacar las verduras verdes de la bolsa de plástico y colócalas en el refrigerador después de envolverlas en una toalla de papel o un paño para secarlas. Si lavas este tipo de alimentos antes de meterlos en el refrigerador, recuerda secarlos.
- Puede crear un ambiente húmedo y proporcionar un flujo de aire guardando las frutas y verduras, que son propensas a secarse, en las bolsas de plástico perforadas o sin cerrar.
- Excepto en los casos en los que se den circunstancias extremas en el entorno, si su producto (en la tabla de valores recomendados) está ajustado a los valores de ajuste especificados, los alimentos mantienen su frescura durante más tiempo tanto en el compartimento de productos frescos como en el del congelador.

Almacene los alimentos en los diferentes lugares según sus propiedades:	
Alimentos	Ubicación
Huevo	Estante de puerta
Productos lácteos (mantequilla, queso)	Si está disponible, compartimento de grado cero (para alimentos de desayuno)
Frutas, verduras y hortalizas	Compartimento para frutas y verduras, cajón de verduras o Compartimento EverFresh+ (si está disponible)
Carne fresca, aves, pescado, embutidos, etc. Alimentos cocinados	Si está disponible, compartimento de grado cero (para alimentos de desayuno)
Alimentos listos para servir, productos envasados, alimentos enlatados y encurtidos	Estantes superiores o estante de la puerta
Bebidas, botellas, especias y aperitivos	Estante de puerta

### Almacenamiento de alimentos en el compartimento del congelador

- Puede activar la función de congelación rápida 4-6 horas antes de la función de congelación y realizar un enfriamiento más rápido.
- Lleve las comidas calientes a la temperatura ambiente antes de colocarlas en el compartimento del congelador.
- Los alimentos que se van a congelar deben dividirse en porciones según el tamaño que se va a consumir, y congelarse en paquetes separados.
- Se recomienda empaquetar los alimentos antes de colocarlos en el congelador.
- Para evitar la caducidad del tiempo de almacenamiento, escriba en el envase la fecha de congelación, la hora y el nombre del producto según los tiempos de almacenamiento de los diferentes alimentos.
- Consuma rápidamente los alimentos que haya descongelado. Los alimentos descongelados no pueden volver a congelarse si no se cocinan. No es seguro consumir los alimentos frescos recongelados sin cocinar una vez descongelados.
- Al congelar alimentos frescos, no los ponga en contacto con alimentos ya congelados. De lo contrario, los alimentos congelados se descongelarán.



### **Guardar comida ya congelada**

- Siga siempre las instrucciones del productor en relación con el tiempo de conservación de los alimentos. No sobrepase el tiempo especificado en estas instrucciones.
- Para proteger la calidad de los alimentos, mantenga el intervalo de tiempo entre la transacción de compra y el almacenamiento lo más corto posible.
- Compre los alimentos congelados que se almacenan a  $-18\text{ }^{\circ}\text{C}$  o a temperaturas inferiores.
- Evite comprar alimentos cuyos envases estén cubiertos de hielo, etc. Esto significa que el producto podría estar parcialmente descongelado y vuelto a congelar. La temperatura influye en la calidad de los alimentos.
- No sobrepase el tiempo de almacenamiento recomendado por el productor del alimento. Saque del congelador sólo los alimentos que necesite.
- Excepto en los casos en los que se den circunstancias extremas en el entorno, si su producto (en la tabla de valores recomendados) está ajustado a los valores de ajuste especificados, los alimentos mantienen su frescura durante más tiempo tanto en el compartimento de productos frescos como en el del congelador.
- Si el compartimento de productos frescos se ajusta a una temperatura más baja, las frutas y verduras frescas pueden congelarse parcialmente.
- Los compartimentos de dos estrellas son adecuados para alimentos precongelados. Se pueden almacenar helados y cubitos de hielo.
- No congele alimentos en los compartimentos con una, dos y tres estrellas.

Carne y Pescado		Preparación	Tiempo máximo de almacenamiento (mes)	
Productos cárnicos	Ternera	Carne de res	Cortarlos en grosor de 2 cm y colocar papel de aluminio entre ellos o envolverlos herméticamente con película estirable.	6-8
		Asado	Embalar los trozos de carne en bolsas de refrigerador o envolverlos herméticamente con película estirable	6-8
		Cubos	En piezas pequeñas	6-8
		Milanesa, chuleta	Colocar papel de aluminio entre rodajas cortadas o envolver cada una de ellas con película estirable	6-8
	Carne de cordero	Chuletas	Colocar papel de aluminio entre piezas de carne o envolver cada una de ellas con película estirable	4-8
		Asado	Embalar los trozos de carne en bolsas de refrigerador o envolverlos herméticamente con película estirable	4-8
		Cubos	Embalar carne machacada en una bolsa de congelador o envolverla herméticamente con película estirable	4-8
	Carne de res	Asado	Embalar los trozos de carne en bolsas de refrigerador o envolverlos herméticamente con película estirable	8-12
		Carne de res	Cortarlos en grosor de 2 cm y colocar papel de aluminio entre ellos o envolverlos herméticamente con película estirable.	8-12
		Cubos	En piezas pequeñas	8-12
		Carne hervida	Embalar como pequeñas cantidades en bolsas de refrigerado.	8-12
	Carne picada		Sin sazonar, en bolsas planas	1-3
	Asadura (pieza)		En piezas	1-3
	Salchicha fermentada - Salami		Debe estar envasado aunque tenga su propia cubierta.	1-3
	Jamón		Colocar papel de aluminio entre las rodajas cortadas	2-3
Aves de corral y animales de caza	Pollo y Pavo		Envolver en papel de aluminio	4-6
	Ganso		Envolver en papel de aluminio (las porciones no deben superar los 2,5 kg)	4-6
	Pato		Envolver en papel de aluminio (las porciones no deben superar los 2,5 kg)	4-6
	Ciervo, Conejo, Corzo		Envolver en papel de aluminio (las porciones no deben superar los 2,5 kg, y sus huesos deben estar apartados)	6-8
Pescado y Marisco	Pescado de agua dulce (Trucha, Carpa, Grulla, Bagre)		2	
	Pescado magro (Róbalo, Rombo, Lenguado)		4-6	
	Pescado graso (Bonito, Mackerel, Pescado Azul, Salmonete, Anchoa)		Tras limpiar a fondo el interior y las escamas, se debe lavar y secar, y cortar las partes de cola y cabeza cuando sea necesario.	2-4
	Mariscos		Limpinado y en bolsas	4-6
	Caviar		En su paquete, en contenedor de aluminio o de plástico	2-3

" Los tiempos de almacenamiento especificados en la tabla se basan en la temperatura de almacenamiento de -18°C. "

Frutas y Vegetales	Preparación	Tiempo máximo de almacenamiento (mes)
Judía y Judía trepadora	Hervir y pasar por agua con cubitos de hielo durante 3 minutos después de lavar y cortar en pequeñas piezas	10-13
Guisante	Hervir y pasar por agua con cubitos de hielo durante 2 minutos después de limpiar y lavar	10-12
Repollo	Hervir y pasar por agua con cubitos de hielo durante 1-2 minutos después de limpiar	6-8
Zanahoria	Hervir y pasar por agua con cubitos de hielo durante 3-4 minutos después de limpiar y cortar en piezas	12
Pimiento	Hervir 2-3 minutos después de cortar, partir en dos y limpiar las las semillas	8-10
Espinacas	Hervir y pasar por agua con cubitos de hielo durante 2 minutos después de lavar y limpiar	6-9
Puerro	Hervir y pasar por agua con cubitos de hielo durante 5 minutos después de cortar	6-8
Coliflor	Hervir y pasar por agua con cubitos de hielo y limón durante 3-5 minutos después de cortar en piezas	10-12
Berenjena	Hervir y pasar por agua con cubitos de hielo durante 4 minutos después de lavar y cortar en piezas de 2cm	10-12
Chayote	Hervir y pasar por agua con cubitos de hielo durante 2-3 minutos después de lavar y cortar en piezas de 2cm	8-10
Seta	Saltear levemente en aceite y exprimir limón	2-3
Maíz	Limpia y envasando en mazorca o granulado	12
Manzana y Pera	Hervir y pasar por agua con cubitos de hielo durante 2-3 minutos después de pelar y cortar	8-10
Albaricoque y Melocotón	Partir por la mitad y quitar las semillas	4-6
Fresa y Frambuesa	Lavar y desgranar	8-12
Fruta cocida	Añadir un 10% de azúcar en el recipiente	12
Ciruela, Cereza, Cereza Agria	Lavar y desgranar los tallos	8-12

" Los tiempos de almacenamiento especificados en la tabla se basan en la temperatura de almacenamiento de -18°C. "

Productos Lácteos	Preparación	Tiempo Mínimo de Almacenamiento (Mes)	Condiciones de Almacenamiento
Queso (excepto queso feta)	Colocar papel de aluminio entre las rodajas	6-8	Puede permanecer en su envase original para almacenamiento a corto plazo. Para almacenamiento a largo plazo se debe envolver también en papel de aluminio o plástico.
Mantequilla, margarina	En su propio envase	6	En su propio envase o en envases de plástico

" Los tiempos de almacenamiento especificados en la tabla se basan en la temperatura de almacenamiento de -18°C. "

"La cantidad de alimentos frescos que pueden congelarse durante un determinado periodo de tiempo se especifica en la etiqueta del tipo".

## Detalles del congelador

Según la norma IEC 62552, el congelador debe tener capacidad para congelar 4,5 kg de alimentos a  $-18^{\circ}\text{C}$  o a temperaturas inferiores a  $25^{\circ}\text{C}$  de temperatura ambiente en 24 horas por cada 100 litros de volumen del compartimento de congelación.

Los alimentos solo se pueden conservar durante períodos prolongados a una temperatura inferior o igual a  $-18^{\circ}\text{C}$ .

Puede mantener los alimentos frescos durante meses (en el congelador a temperaturas inferiores a  $-18^{\circ}\text{C}$ ).

Los alimentos a congelar no deben ponerse en contacto con los alimentos ya congelados en el interior para evitar la descongelación parcial.

Hierva las vegetales y filtre el agua para prolongar el tiempo de almacenamiento congelado. Coloque los alimentos en envases herméticos después de la filtración y en el congelador. Los plátanos, tomates, lechuga, apio, huevos, patatas y alimentos similares no se deben congelar. En caso de que estos alimentos se congelen, sólo se verán afectados negativamente los valores nutricionales y las cualidades alimentarias. No se trata de una putrefacción que ponga en peligro la salud humana.

## Colocación de los alimentos

**Estantes del congelador:** diferentes alimentos congelados como carne, pescado, helados, verduras, etc.

**Estantes del frigorífico:** alimentos dentro de ollas, platos con tapa, huevos (en caja con tapa)

**Estantes de la puerta del frigorífico:** alimentos o bebidas pequeños y envasados

**Cajón de verduras:** verduras y frutas

**Compartimento de alimentos frescos:** alimentos delicatessen (alimentos para el desayuno, productos cárnicos para consumir en poco tiempo)

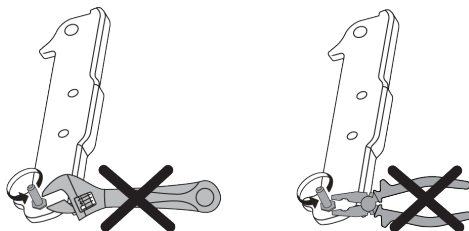
## 8.4 Sustitución de la lámpara de iluminación

Llame al Servicio Autorizado cuando la Bombilla/LED utilizada para la iluminación de su frigorífico sea reemplazada.

La(s) lámpara(s) utilizada(s) en este aparato no se puede(n) utilizar para la iluminación del hogar. Esta lámpara está pensada para ayudar al usuario a colocar los alimentos en el frigorífico/congelador de forma segura y cómoda.

## 8.5 Inversión del lado de apertura de la puerta

El lado de apertura de la puerta de su refrigerador se puede invertir según el lugar donde lo coloque. Cuando lo necesite, definitivamente debe llamar al Servicio Autorizado más cercano.



## 8.6 Cajón para frutas y verduras con control de humedad

En este sistema, el material permeable al aire/humedad que se utiliza en la cubierta del cajón para frutas y verduras de doble capa transmite el aire húmedo que se acumula en el techo del cajón para verduras y que provoca la condensación en la capa intermedia de la cubierta del cajón, y parte del aire húmedo se expulsa. a través de las aberturas de la tapa del cajón para verduras. De esta manera, se proporciona el equilibrio de humedad en el cajón y se minimiza la condensación en el techo.

## 8.7 Tecnologías para el cajón de fruta y verdura

### Luz azul

Las frutas y verduras almacenadas en los cajones que se iluminan con una luz azul continúan su fotosíntesis gracias al efecto de longitud de onda de la luz azul y así preservarán su contenido vitamínico.

Las frutas y verduras almacenadas en cajones iluminados con la tecnología conservan sus vitaminas durante más tiempo gracias a los ciclos de luz azul, verde, rojo y oscuro, que simulan un ciclo diurno.

Al abrir la puerta de su frigorífico durante el periodo de oscuridad de la tecnología, su frigorífico lo detectará automáticamente e iluminará el cajón con una de las luces azul, verde o roja, respectivamente, para su comodidad. Después de cerrar la puerta del refrigerador, el ciclo oscuro se reanudará, para así completar el ciclo diurno natural.

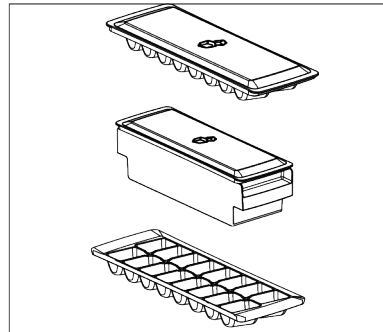
## 8.8 Zona de depósito de hielo

### Cubitera

La cubitera le permite sacar hielo fácilmente del refrigerador.

### Uso de la cubitera

1. Saque la cubitera del congelador.
2. Llene la cubitera con agua.
3. Coloque la cubitera en el congelador. El hielo estará listo después de aproximadamente dos horas.
4. Saque la cubitera del congelador y dóblela ligeramente sobre el soporte que va a servir. El hielo se vierte fácilmente en el soporte para servir.



## 9 Mantenimiento y limpieza



### ADVERTENCIA:

En primer lugar, lea la sección "Instrucciones de seguridad".




### ADVERTENCIA:

Desenchufe el frigorífico antes de limpiarlo.

- No utilice herramientas afiladas o abrasivas para limpiar el aparato. No utilice materiales como productos de limpieza del hogar, jabón, detergentes, gas, gasolina, diluyente, alcohol, cera, etc.
- Se debe quitar el polvo de la rejilla de ventilación de la parte trasera del aparato al menos una vez al año (sin abrir la tapa). Limpie el aparato con un paño seco.
- Tenga cuidado en mantener el agua lejos de la cubierta de la lámpara y otras partes eléctricas.

- Limpie la puerta con un paño húmedo. Retire todo el contenido para quitar la puerta y las rejillas de la carcasa. Retire las rejillas de la puerta elevándolas hacia arriba. Limpie y seque las estanterías, a continuación, colóquelas de nuevo en su lugar deslizándolas desde arriba.
- No utilice agua clorada ni productos de limpieza en la superficie exterior ni en las partes cromadas del producto. El cloro causará herrumbre en este tipo de superficies metálicas.
- A fin de evitar la deformación de la pieza de plástico y la eliminación de los grabados en la pieza no utilice herramientas afiladas y abrasivas, jabón, materiales de limpieza doméstica, detergentes, gas, gasolina, barniz y sustancias similares. Utilice agua tibia y paño suave para limpiar, y luego seque el aparato.

- En los aparatos que no tienen la función No-Frost, es posible que se produzcan gotas de agua y hielo de un grosor de un dedo en la pared posterior del congelador. No lo limpie, y nunca aplique aceites o materiales similares.
- Utilice un paño de microfibra ligeramente humedecido para limpiar la superficie externa del producto. Las esponjas y otros tipos de trapos de limpieza pueden provocar arañazos.
- Para limpiar todos los componentes removibles durante la limpieza de la superficie interior del producto, lave estos componentes con una solución suave que consista en jabón, agua y carbonato. Llave muy bien y seque. Evite que el agua entre en contacto con los componentes de la iluminación y el panel de control.



**¡PRECAUCIÓN!**  
No utilice vinagre, alcohol para frotar u otros agentes de limpieza a base de alcohol en ninguna de las superficies interiores.

### Superficies externas de acero inoxidable

Utilice un producto de limpieza no abrasivo para acero inoxidable y aplíquelo con un paño suave sin pelusas. Para pulir, limpie suavemente la superficie con un paño de microfibra humedecido con agua y use una gamuza de pulido en seco. Siga siempre los hilos del acero inoxidable.

### Prevención de olores

El aparato se fabrica libre de cualquier material oloroso. Sin embargo, mantener la comida en secciones inadecuadas y una limpieza inadecuada de las superficies internas puede causar olor.

- Para evitar esto, limpie el interior con agua carbonatada cada 15 días.
- Mantenga los alimentos en recipientes sellados, ya que los microorganismos que surgen de los alimentos guardados en recipientes sin sellar causarán mal olor.
- No guarde alimentos caducados y en mal estado en el frigorífico.

### Protección de superficies de plástico

El aceite derramado en las superficies de plástico puede dañar la superficie y debe ser limpiado inmediatamente con agua tibia.

## 10 Solución de problemas

Revise esta lista antes de contactar con el servicio técnico. Si lo hace, le ahorrará tiempo y dinero. Esta lista incluye quejas frecuentes que no están relacionados con la mano de obra ni materiales defectuosos. Algunas funciones mencionadas en este documento pueden no ser aplicables a su aparato.

### El frigorífico no está funcionando.

- El enchufe no está totalmente en la toma. >>> Conéctelo para asentararlo por completo en la toma.
- El fusible conectado a la toma de corriente del aparato o el fusible principal está fundido. >>> Compruebe el fusible.

### Condensación en la pared lateral del compartimento frigorífico (MULTI ZONE, COOL CONTROL y FLEXI ZONE).

- La puerta se abre con demasiada frecuencia. >>> Tenga cuidado de no abrir la puerta del aparato con demasiada frecuencia.
- El medio ambiente es demasiado húmedo. >>> No instale el aparato en ambientes húmedos.
- Los alimentos que contienen líquidos se mantienen en sus envases sin sellar. >>> Mantenga los alimentos que contengan líquidos en envases sellados.
- La puerta del aparato se deja abierta. >>> No mantenga la puerta del aparato abierta durante largos periodos.

- El termostato está ajustado a una temperatura muy fría. >>> Ajuste el termostato a un nivel apropiado.

### **El compresor no está funcionando.**

- En caso de fallo de corriente repentino o tirando del enchufe de corriente y poniéndolo de nuevo, la presión del gas en el sistema de refrigeración del aparato no será equilibrada, lo que desencadena la salvaguardia térmica del compresor. El aparato se reiniciará después de aproximadamente 6 minutos. Si el aparato no se reinicia después de este período, póngase en contacto con el servicio.
- La descongelación está activa. >>> Esto es normal para un aparato de descongelación completamente automático. La descongelación se realiza periódicamente.
- El aparato no está enchufado. >>> Asegúrese de que el cable de corriente esté enchufado.
- El ajuste de la temperatura es incorrecto. >>> Seleccione el ajuste adecuado de la temperatura.
- No hay energía eléctrica. >>> El aparato continuará funcionando con normalidad una vez que se restablezca la corriente.

### **El ruido de funcionamiento del frigorífico aumenta mientras está en uso.**

- El desempeño operativo del aparato puede variar en función de las variaciones de la temperatura ambiente. Esto es normal y no indica mal funcionamiento.

### **El frigorífico funciona demasiado a menudo o por demasiado tiempo.**

- El nuevo aparato puede ser más grande que el anterior. Los aparatos de mayor tamaño se ejecutarán por períodos más largos.
- La temperatura ambiente puede ser alta. >>> El aparato normalmente funciona durante largos períodos a mayor temperatura de la habitación.
- El aparato puede haber sido conectado recientemente o un nuevo alimento fue colocado en su interior. >>> El aparato tardará más en alcanzar la temperatura

fijada cuando es enchufado recientemente o si un nuevo alimento se coloca en el interior. Esto es normal.

- Grandes cantidades de alimentos calientes pueden haber sido colocados recientemente en el aparato. >>> No coloque alimentos calientes dentro del aparato.
- Las puertas se abren frecuentemente o se mantienen abiertas durante largos períodos. >>> El aire caliente que se mueve adentro hará que el aparato funcione más tiempo. No abra las puertas con demasiada frecuencia.
- La puerta del congelador o del frigorífico puede estar abierta. >>> Compruebe que las puertas estén completamente cerradas.
- Es posible que el aparato esté configurado a una temperatura demasiado baja. >>> Ajuste la temperatura a un grado más alto y espere a que el aparato alcance la temperatura ajustada.
- La arandela de la puerta del frigorífico o el congelador puede estar sucia, desgastada, rota o mal instalada. >>> Limpie o cambie el sello. Una arandela de la puerta dañada / agrietada hará que el aparato funcione durante períodos más largos para preservar la temperatura actual.

### **La temperatura del congelador es muy baja, pero la temperatura del frigorífico es adecuada.**

- La temperatura del compartimento congelador se establece a un grado muy bajo. >>> Ajuste la temperatura del compartimento del congelador a un grado más alto y vuelva a intentarlo.

### **La temperatura del enfriador es muy baja, pero la temperatura del congelador es adecuada.**

- La temperatura del compartimento congelador se establece a un grado muy bajo. >>> Ajuste la temperatura del compartimento frigorífico a un grado más alto y verifique nuevamente.

## Los alimentos guardados en los cajones del compartimento de refrigeración se congelan.

- La temperatura del compartimento congelador se establece a un grado muy bajo. >>> Ajuste la temperatura del compartimento frigorífico a un grado más alto y verifique nuevamente.

## La temperatura en el frigorífico o el congelador es demasiado alta.

- La temperatura del compartimento del congelador se establece a un grado muy bajo. >>> El valor de la temperatura del compartimento de refrigeración tiene un efecto sobre la temperatura en el compartimento congelador. Espere hasta que la temperatura de las partes pertinentes alcancen el nivel suficiente cambiando la temperatura del frigorífico o del congelador.
- Las puertas se abren frecuentemente o se mantienen abiertas durante largos períodos. >>> No abra las puertas con demasiada frecuencia.
- La puerta puede estar abierta. >>> Cierre la puerta por completo.
- El aparato puede haber sido conectado recientemente o un nuevo alimento fue colocado en su interior. >>> Esto es normal. El aparato tardará más en alcanzar la temperatura fijada fue enchufado recientemente o si un nuevo alimento se coloca en el interior.
- Grandes cantidades de alimentos calientes pueden haber sido colocados recientemente en el aparato. >>> No coloque alimentos calientes dentro del aparato.

## Ruido o agitación.

- La superficie no es plana ni duradera >>> Si el aparato tiembla cuando se mueve lentamente, ajuste los soportes para equilibrar el producto. También asegúrese de que el suelo sea lo suficientemente resistente para soportar el aparato.
- Cualquier artículo colocado sobre el aparato pueden causar ruido. >>> Retire todos los objetos colocados sobre el aparato.

- El aparato está haciendo ruido de flujo de líquido, rociado, etc.
- Los principios de funcionamiento del aparato implican flujos de líquido y gas. >>> Esto es normal y no indica mal funcionamiento.

## Hay sonido del viento que sopla procedente del aparato.

- El aparato utiliza un ventilador para el proceso de enfriamiento. Esto es normal y no indica mal funcionamiento.

## Hay condensación en las paredes internas del aparato.

- El clima caliente o húmedo aumentarán la formación de hielo y de condensación. Esto es normal y no indica mal funcionamiento.
- Las puertas se abren frecuentemente o se mantienen abiertas durante largos períodos. >>> No abra las puertas con demasiada frecuencia, si están abiertas, ciérrelas.
- La puerta puede estar abierta. >>> Cierre la puerta por completo.

## Hay condensación en el exterior del aparato o entre las puertas.

- Puede ser por que el clima ambiental sea húmedo, esto es bastante normal en ambientes húmedos. >>> La condensación se disipará cuando se reduzca la humedad.

## El interior huele mal.

- El aparato es limpiado regularmente. >>> Limpie el interior con regularidad utilizando una esponja, agua caliente y agua carbonatada.
- Ciertos envases y materiales de embalaje pueden causar olor. >>> Utilice envases y materiales de embalaje que sean exentos de olores.
- Los alimentos se colocan en envases no sellado. >>> Mantenga los alimentos en envases sellados. Los microorganismos pueden propagarse fuera de los alimentos sin sellar y causar mal olor.
- Retire todos los alimentos caducados o en mal estado del aparato.



### La puerta no se cierra.

- Los paquetes de alimentos pueden estar bloqueando la puerta. >>> Cambie de lugar los elementos que bloquean las puertas.
- El aparato no está en posición vertical sobre la base. >>> Ajuste los soportes para equilibrar el aparato.
- La superficie no es plana ni duradera >>> Asegúrese de que la superficie sea plana y lo suficientemente duradera para soportar el producto.

### El cajón de verduras está atascado.

- Los alimentos pueden estar en contacto con la parte superior del cajón. >>> Reorganice los alimentos en el cajón.

### Temperatura en la superficie del producto.

- Se pueden observar altas temperaturas entre las dos puertas, en los paneles laterales y en la parrilla trasera mientras el aparato está en funcionamiento. Esto es normal y no requiere servicio.

### El ventilador sigue funcionando cuando la puerta está abierta.

- El ventilador puede seguir funcionando cuando la puerta del congelador está abierta.



**ADVERTENCIA:** Si el problema persiste después de seguir las instrucciones de esta sección, póngase en contacto con su vendedor o un Servicio Autorizado. No trate de reparar el aparato. Esto es normal.

## DESCARGO DE RESPONSABILIDAD / ADVERTENCIA

Algunas averías (simples) pueden ser manejadas adecuadamente por el usuario final sin que surja ningún problema de seguridad o uso inseguro, siempre que se realicen dentro de los límites y de acuerdo con las siguientes instrucciones (véase la sección "Autorreparación").

Por lo tanto, a menos que se autorice lo contrario en la sección "Autorreparación", las reparaciones deberán dirigirse a reparadores profesionales registrados para evitar problemas de seguridad. Un reparador profesional registrado es aquel al que el fabricante ha concedido acceso a las instrucciones y la lista de piezas de repuesto de este aparato de acuerdo con los métodos descritos en los actos legislativos de conformidad con la Directiva 2009/125/CE.

**Sin embargo, solo el agente de servicio (es decir, reparadores profesionales autorizados) al que pueda comunicarse a través del número de teléfono proporcionado en el manual del usuario/tarjeta de garantía oa través de su distribuidor autorizado puede brindarle servicio bajo los términos de la garantía. Por lo tanto, tenga en cuenta que las reparaciones**

**realizadas por reparadores profesionales (que no están autorizados por ) anularán la garantía.**

### Auto-reparación

El usuario final puede realizar la reparación por sí mismo con respecto a las siguientes piezas de repuesto: manijas de las puertas, bisagras de las puertas, bandejas, cestas y juntas de las puertas (también está disponible una lista actualizada a partir del 1 de marzo de 2021).

Además, para garantizar la seguridad del aparato y evitar el riesgo de lesiones graves, la autorreparación mencionada debe realizarse siguiendo las instrucciones del manual de usuario para autorreparación o que están disponibles en . Por su seguridad, desenchufe el aparato antes de intentar cualquier autoreparación.

Los intentos de reparación por parte de los usuarios finales de piezas no incluidas en dicha lista y/o que no sigan las instrucciones de los manuales de usuario para la auto-reparación o que están disponibles en , podrían dar lugar a problemas de seguridad no imputables a , y anularán la garantía del aparato.

Por lo tanto, se recomienda encarecidamente a los usuarios finales que se abstengan de intentar llevar a cabo reparaciones que queden fuera de la mencionada lista de piezas de repuesto, poniéndose en contacto en tales casos con reparadores profesionales autorizados o con reparadores profesionales registrados. Por el contrario, tales intentos por parte de los usuarios finales pueden causar problemas de seguridad y dañar el aparato y, posteriormente, provocar un incendio, una inundación, una electrocución y lesiones personales graves.

A modo de ejemplo, pero no limitado a, las siguientes reparaciones deben dirigirse a reparadores profesionales autorizados o reparadores profesionales registrados: compresor, circuito de refrigeración, placa principal, placa inverter, placa de visualización, etc.

El fabricante/vendedor no se hace responsable en ningún caso en el que los usuarios finales no cumplan con lo anterior.

La disponibilidad de repuestos del frigorífico que compró es de 10 años. Durante este período, los repuestos originales estarán disponibles para operar el frigorífico correctamente.

La duración mínima de la garantía del refrigerador que ha comprado es de 24 meses. Este aparato está equipado con una fuente de iluminación de clase energética "G".

La fuente de iluminación de este aparato solo debe ser reemplazada por un reparador profesional.

Ver también

2 CLAUSE DE NON-RESPONSABILITÉ /  
AVERTISSEMENT [} 62]



