

150 X 120 X 50 CM

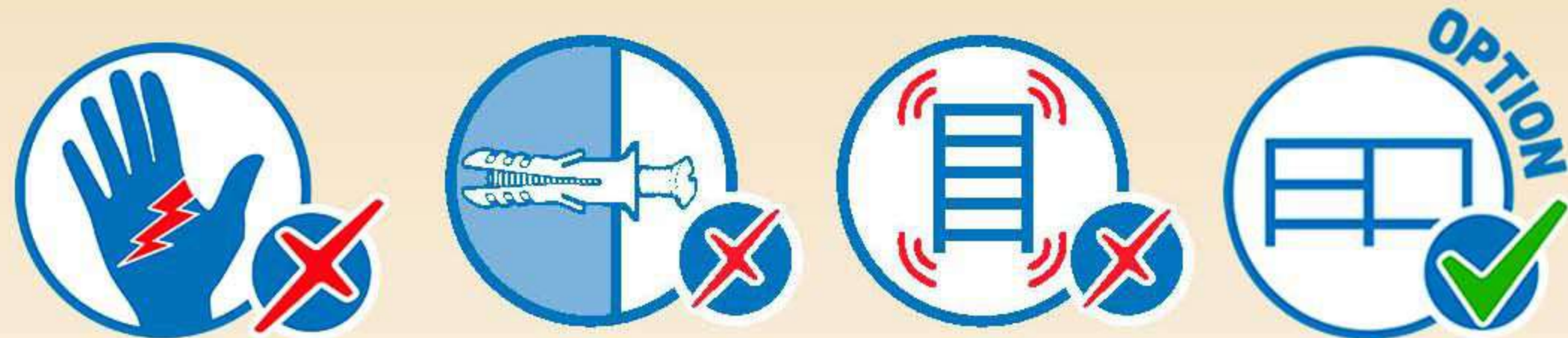
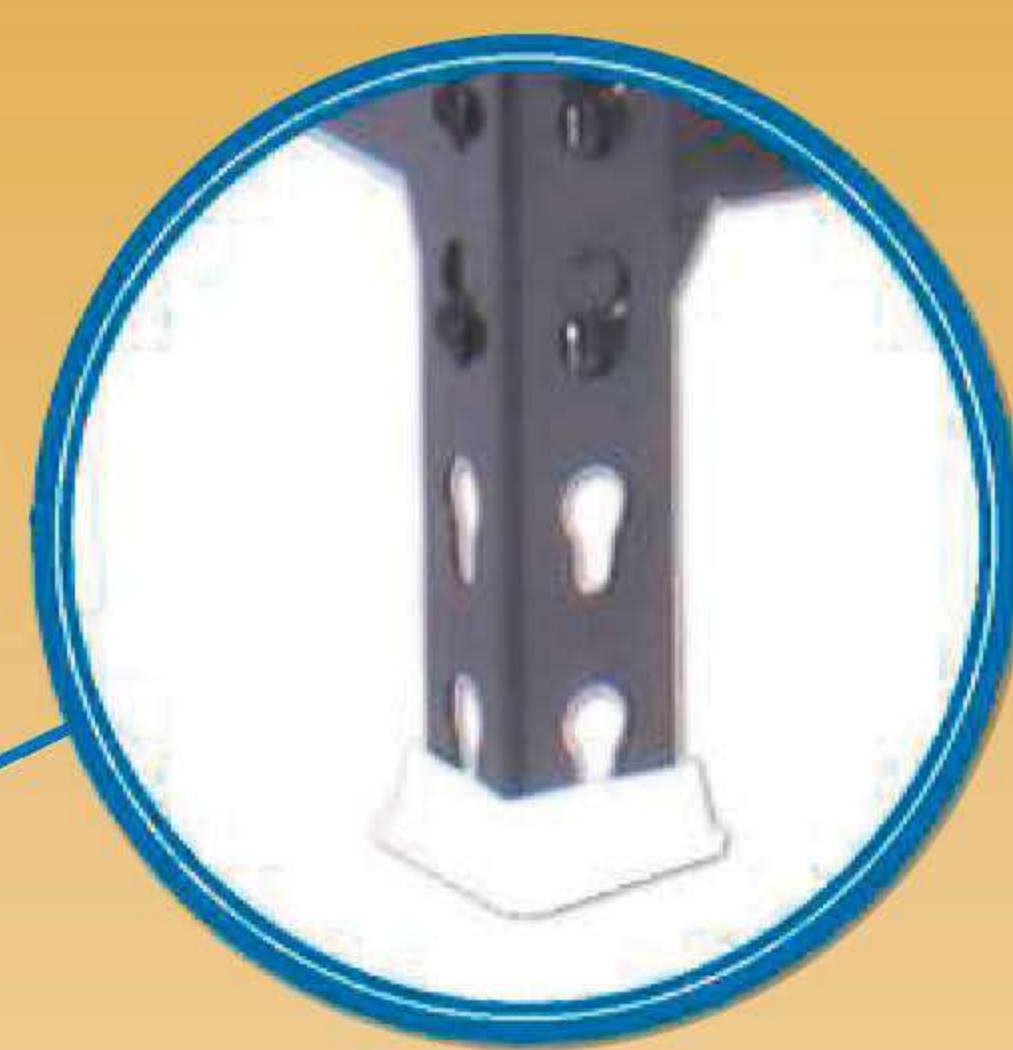
59.1" x 47.2" x 19.6"

MADERCLICK MEGAPLUS 4/500

5 Años Garantía
Years Guarantee
Jahre Garantie
Ans Garantie
SIMONRACK



800 kg
(1763.6 lb)
Total



*MEDIDAS EN USO USED MEASUREMENTS
MASSNAHMEN IM EINSATZ MESURES EN EMPLOI MEDIDAS EM USO:
1485 x 1210 x 510 mm (58.4" x 47.6" x 20.1")



ESTANTERIAS SIMON S.L. B.50.556.463
PG. ALFAMEN C/ POLIGONO C, N°3
ALFAMEN (ZARAGOZA)

www.simonrack.com



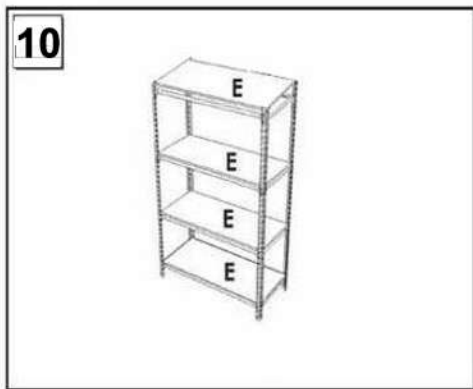
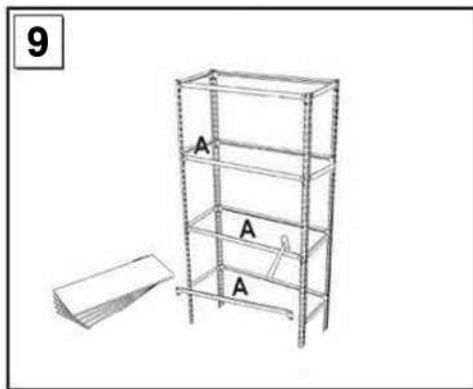
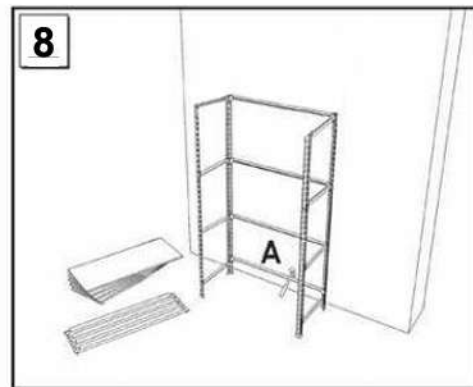
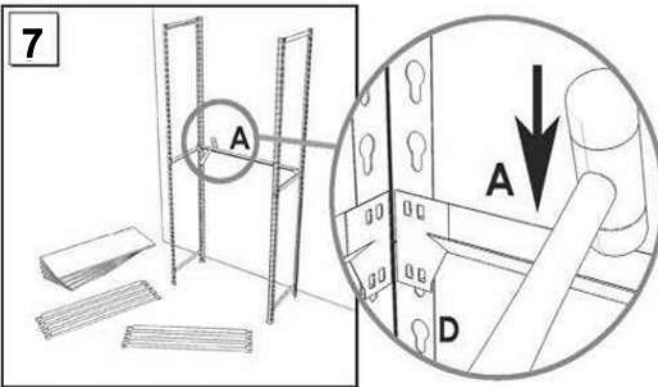
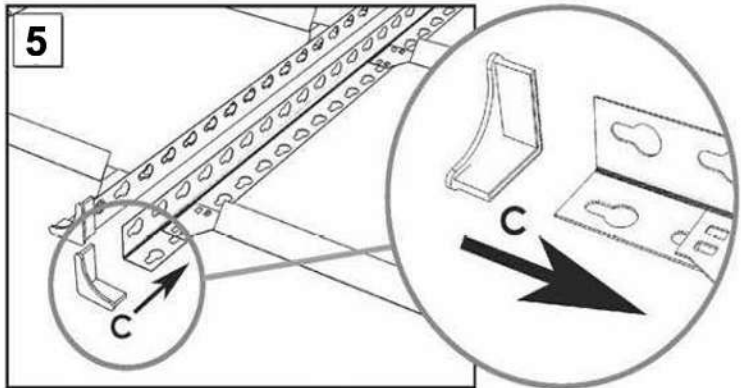
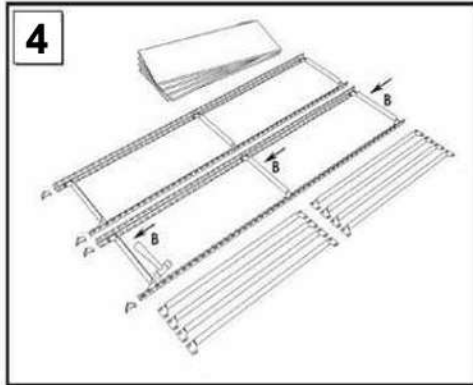
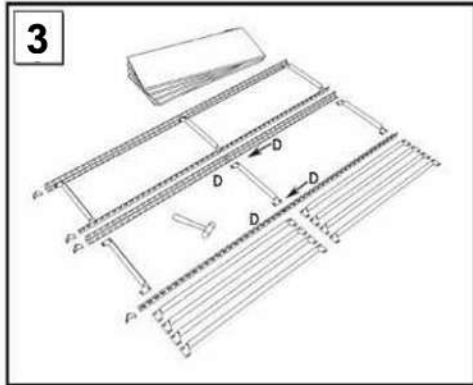
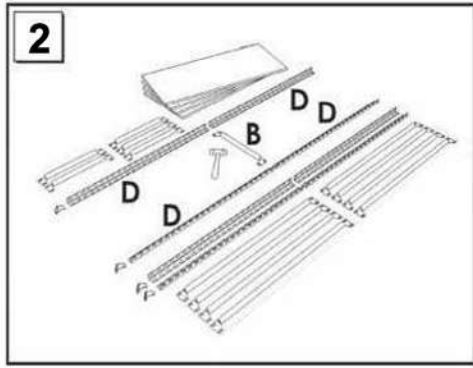
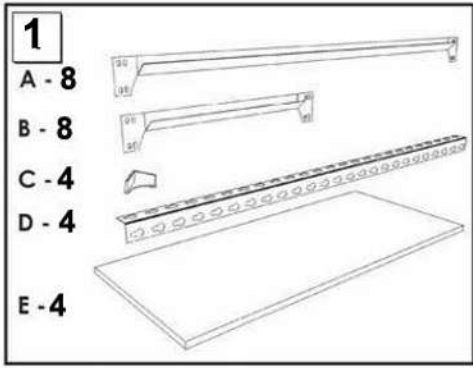
www.simonrack.com



Simon
Rack
SINCE 1964 - MANUFACTURER



INSTRUCTIONS



www.simonrack.com • www.instructionsrack.com • www.maderclick.com

SIMONCLASSIC



SIMONCLICK



SIMONOFFICE



SIMONTALLER



BANCOS DE TRABAJO WORK BENCHES



SIMONHOME



TAGUILLAS LOCKER



SIMONTITÁN



SIMONINOX



SIMONPALET



SIMONLEVER



ALTILLOS Y PASILLOS ELEVADOS PLATFORMS AND MEZZANINES

