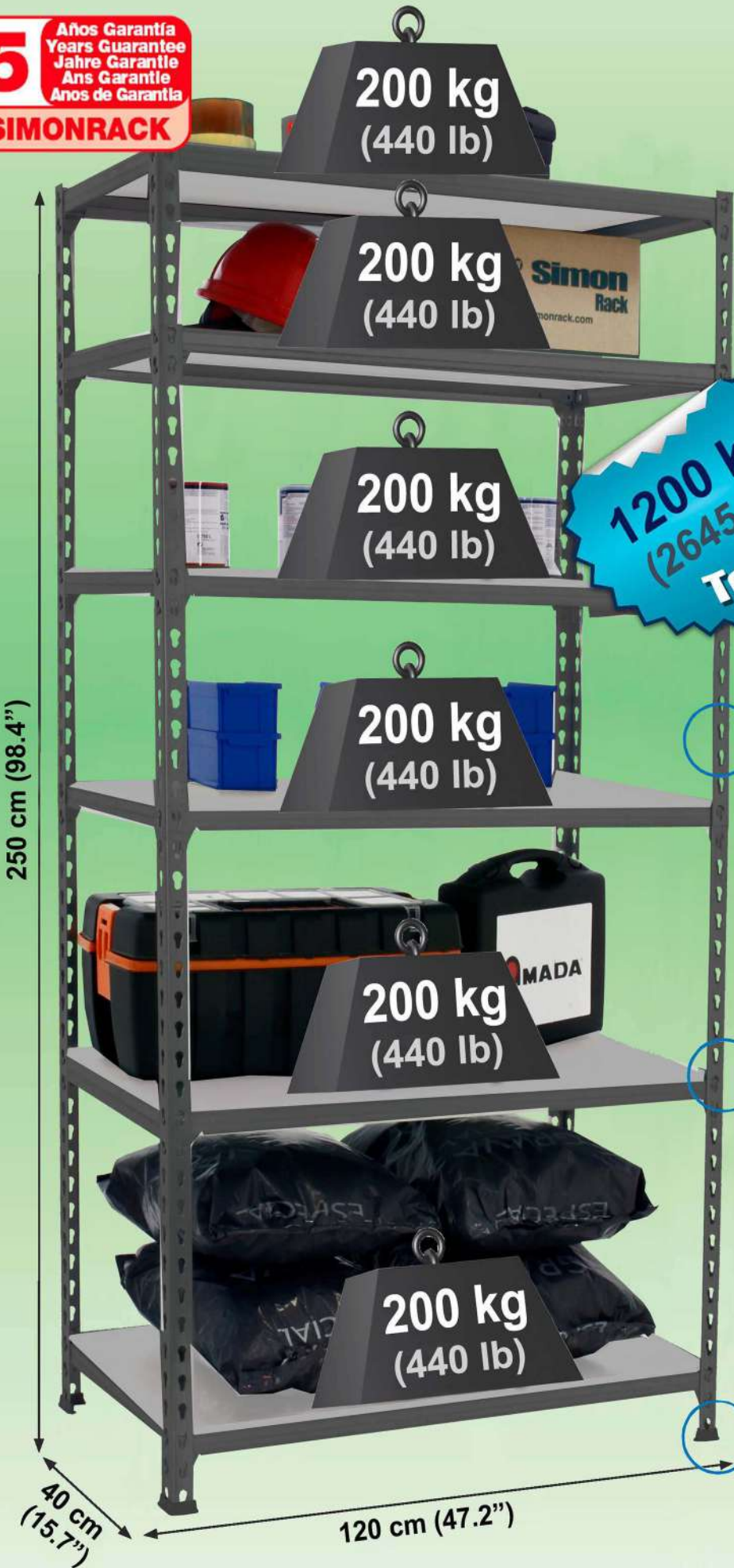


250 x 120 x 40 cm

98.4" x 47.2" x 15.7"

SIMONCLICK MEGAPLUS 6/400

5 Años Garantía
Years Guarantee
Jahre Garantie
Ans Garantie
Anos de Garantia
SIMONRACK

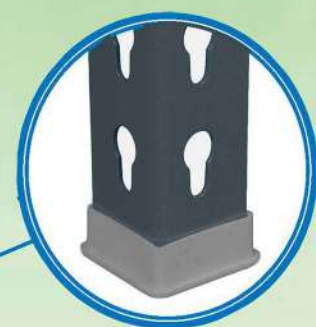


250 cm (98.4")

40 cm (15.7")

120 cm (47.2")

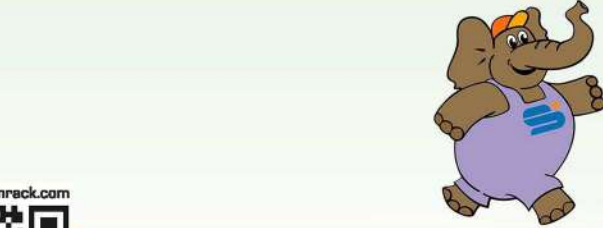
1200 kg
(2645 lb)
Total



*MEDIDAS EN USO / USED MEASUREMENTS
MASSNAHMEN IM EINSATZ / MEASURES IN EMPLOY / MEDIDAS EN USO:
2510 x 1210 x 410 mm (98.8" x 47.6" x 16.1")



ESTANTERIAS SIMON S.L. B.50.556.463
PG. ALFAMEN C/ POLIGONO C, Nº3
ALFAMEN (ZARAGOZA)



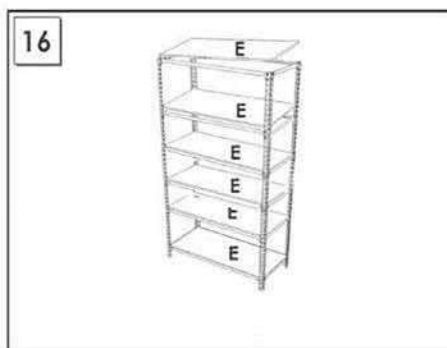
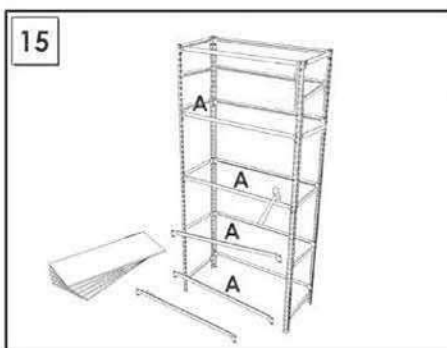
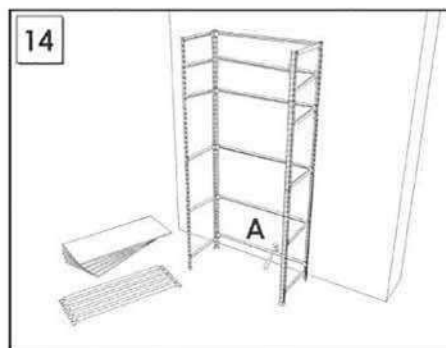
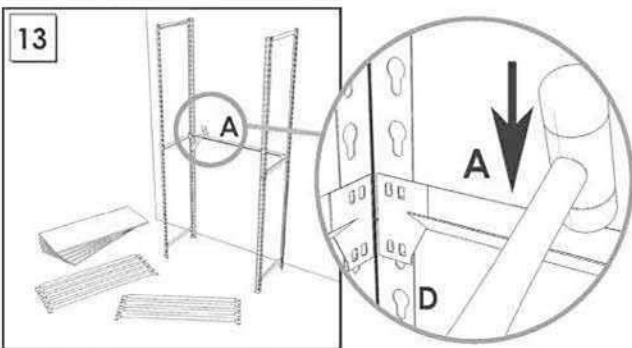
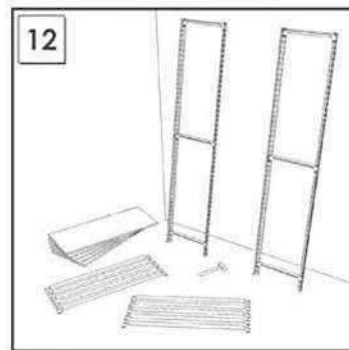
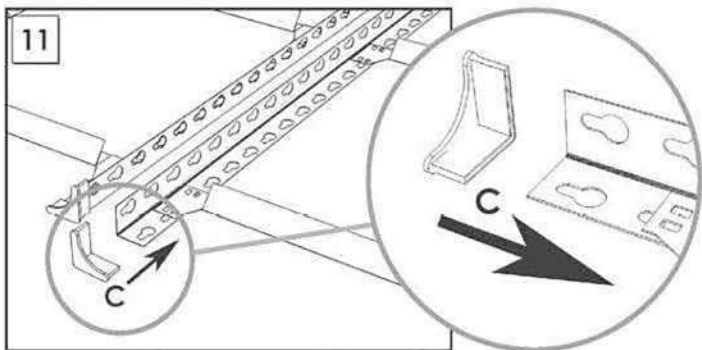
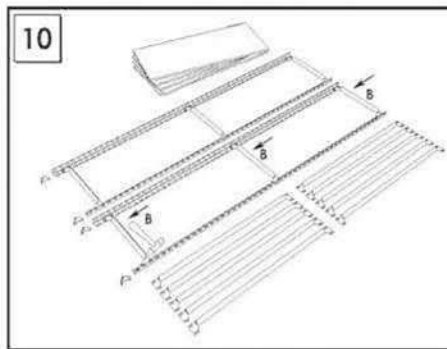
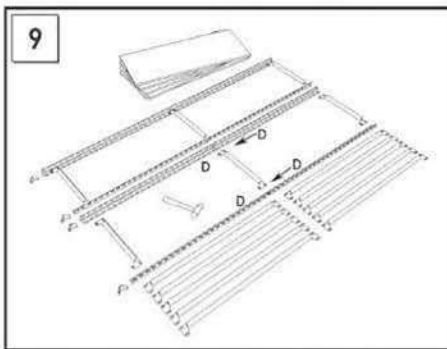
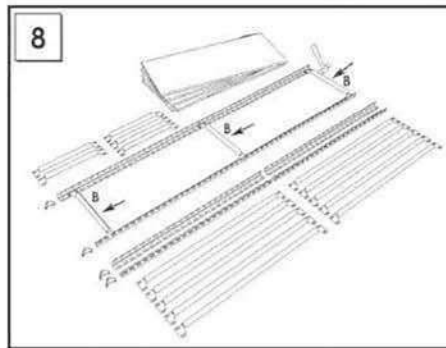
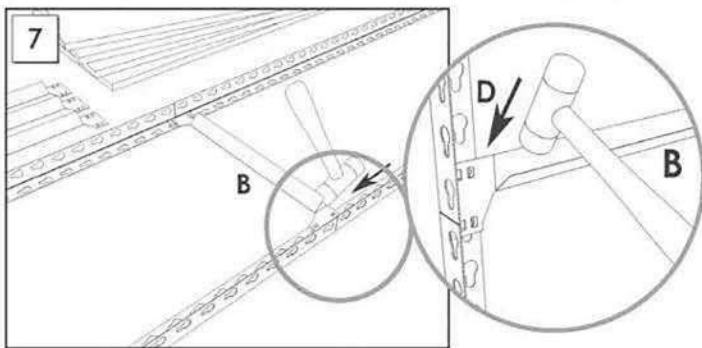
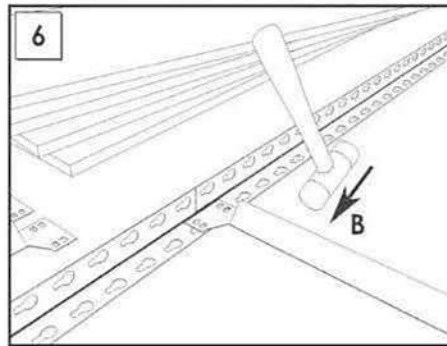
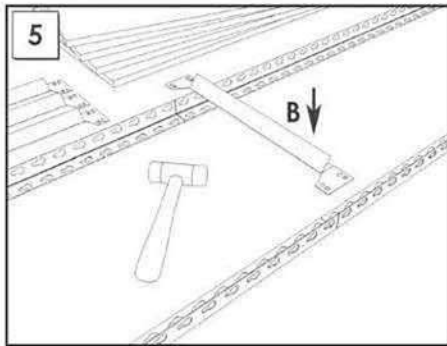
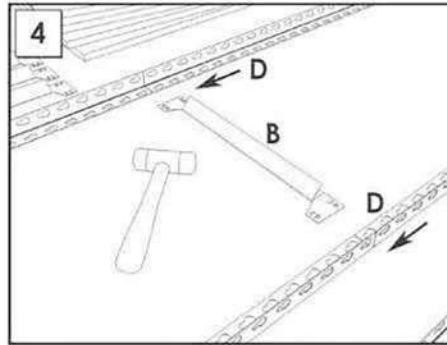
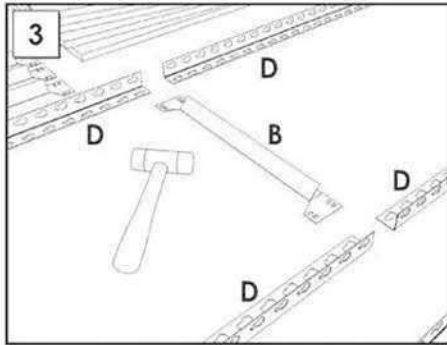
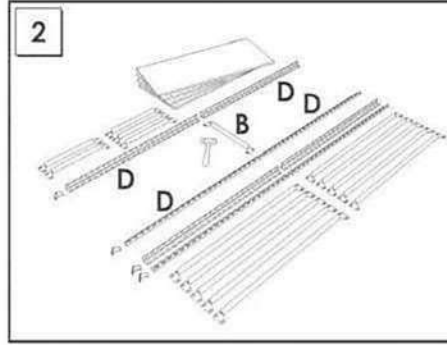
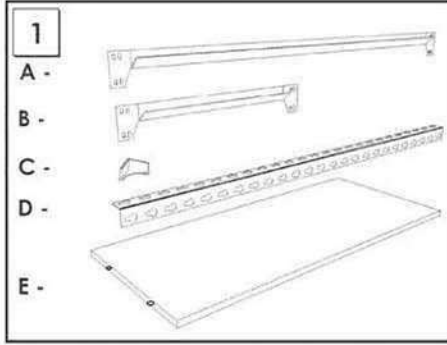
Simon Rack
SINCE 1964 - MANUFACTURER



www.simonrack.com



INSTRUCTIONS



SIMONCLASSIC



SIMONCLICK



SIMONTALLER



SIMONAUTO



SIMONWORK



SIMONLOCKER



SIMONOFFICE



SIMONHOME



SIMONGARDEN



SIMONTITÁN



SIMONINOX



SIMONINDUSTRIAL



AL TILLOS Y PASILLOS ELEVADOS
PLATFORMS AND MEZZANINES
LAGERBÜHNEN • PLATES-FORMES ET MEZZANINES



* Kg / lb por bandeja con carga uniformemente repartida
Kg / lb per shelf uniformly distributed load
Kg / lb pro fach bei gleichmäßig verteilter last
Kg / lb par plateau avec charge uniformément répartie

