

**Declared qualities stated**

|   |                                    |                         |                    |                         |
|---|------------------------------------|-------------------------|--------------------|-------------------------|
| Harmonised technical specification  | EN 13240<br>✓ EN 13229             | EN 16510<br>✓ Ecodesign | DIN+<br>✓ BImSchV2 | DIBt<br>✓ 15a B-VG 2015 |
| Classification of appliance   | Type BE                            |                         |                    |                         |
| Energy efficiency ( $\eta_{nom}$ )  | 85,7 %                             |                         |                    |                         |
| The energy efficiency index   | 114,3                              |                         |                    |                         |
| Energy label  | A+                                 |                         |                    |                         |
| Fuel  | Wood logs                          |                         |                    |                         |
| Fuel length   | 200-350 mm                         |                         |                    |                         |
| Average fuel consumption  | 1,63 kg/h                          |                         |                    |                         |
| Allowed fuel dose   | 2,2 kg/h                           |                         |                    |                         |
| Fuel supply interval  | 1 hour                             |                         |                    |                         |
| Amount of combustion air  | 20,7 m <sup>3</sup> /h             |                         |                    |                         |
| Nominal output ( $P_{nom}$ )  | 5,7 kW                             |                         |                    |                         |
| Hot-water exchanger output ( $P_{Wnom}$ )   | --- kW                             |                         |                    |                         |
| Maximum operating overpressure ( $p_w$ )  | --- bar                            |                         |                    |                         |
| Dry flue gas mass flow rate to calculate the flue gas path                                      | 6,4 g/s                            |                         |                    |                         |
| Flue gas temperature ( $T_{nom}$ )  | 206 °C                             |                         |                    |                         |
| Mean flue gas temperature after throat  | 213 °C                             |                         |                    |                         |
| Flue draught ( $p_{nom}$ )  | 12 Pa                              |                         |                    |                         |
| Chimney temperature class   | T400                               |                         |                    |                         |
| Connection to the common chimney  | Yes                                |                         |                    |                         |
| Dust O <sub>2</sub> = 13 % ( $PM_{nom}$ )   | 11 mg/Nm <sup>3</sup>              |                         |                    |                         |
| Emissions of gases of combustion (CO in the flue gases at O <sub>2</sub> = 13 %) ( $CO_{nom}$ ) | 0,0752 %<br>940 mg/Nm <sup>3</sup> |                         |                    |                         |
| OGC O <sub>2</sub> = 13 % ( $OGC_{nom}$ )   | 53 mg/Nm <sup>3</sup>              |                         |                    |                         |
| NO <sub>x</sub> O <sub>2</sub> = 13 % ( $NO_{xnom}$ )   | 118 mg/Nm <sup>3</sup>             |                         |                    |                         |
| Automatic regulation unit of burning  | ---                                |                         |                    |                         |
| Power consumption (W)   | --- W                              |                         |                    |                         |
| Standing air loss ( $V_h$ )   | --- m <sup>3</sup> <sub>N</sub> /h |                         |                    |                         |
| Intermittent operation (INT) / Continuous operation (CON)                                       | INT                                |                         |                    |                         |

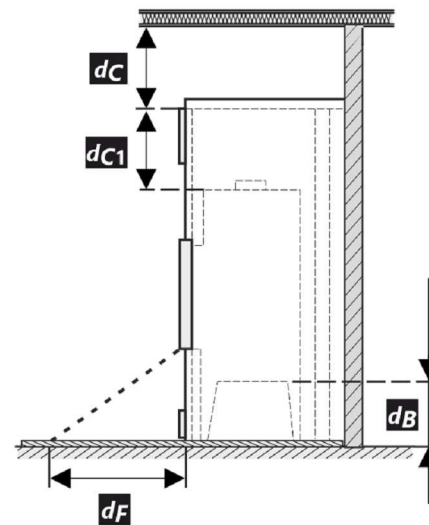
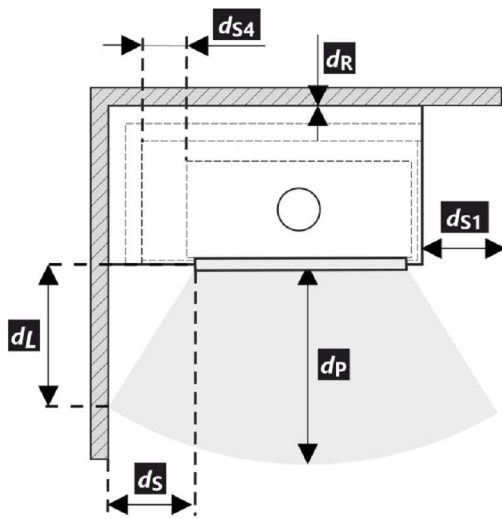
**Basic technical data**

|                                       |            |       |                 |
|---------------------------------------|------------|-------|-----------------|
| Principal dimensions                  | Height (H) | 983   | mm              |
|                                       | Width (W)  | 600   | mm              |
|                                       | Length (L) | 375   | mm              |
| Combustion chamber dimensions         | Height (H) | 440   | mm              |
|                                       | Width (W)  | 469   | mm              |
|                                       | Length (L) | 210   | mm              |
| Fireplace door dimensions             | Height (H) | 407   | mm              |
|                                       | Width (W)  | 577,5 | mm              |
|                                       | Length (L) | 307   | mm              |
| Axis height of the rear (side) outlet | ---        |       | mm              |
| Volume of hot-water exchanger         | ---        |       | l               |
| Flue diameter                         | 150        |       | mm              |
| Diameter of flue throat ( $D_{out}$ ) | 150        |       | mm              |
| Diameter of external air connection   | 125        |       | mm              |
| Weight                                | 107        |       | kg              |
| Area of Inlet ventilation grille      | 500        |       | cm <sup>2</sup> |
| Area of Outlet ventilation grille     | 700        |       | cm <sup>2</sup> |

**Distances from flammable materials**

Note

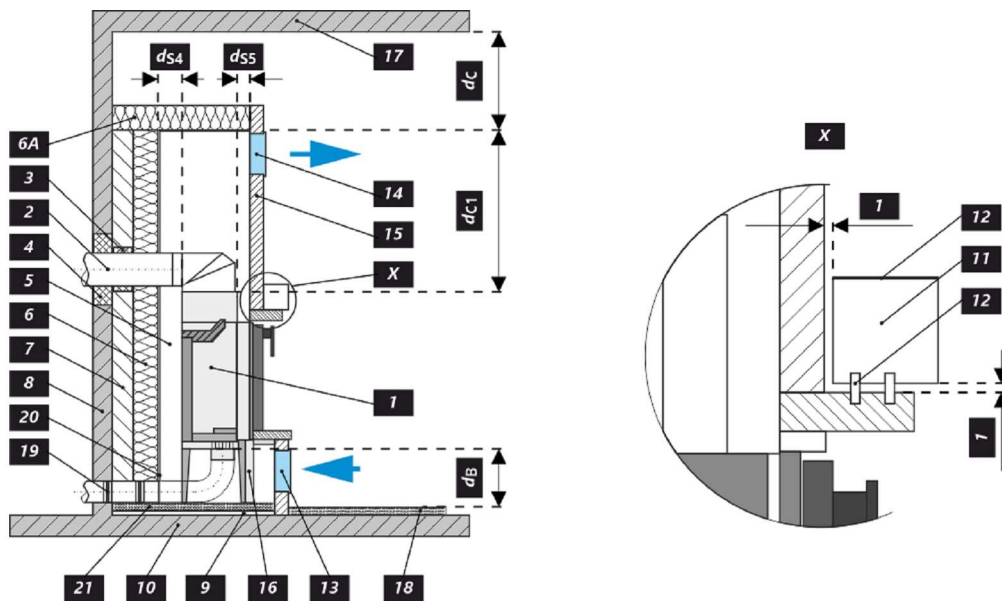
|  |    |      |    |
|--|----|------|----|
| Back ( $d_R$ )   |    | 400  | mm |
| Front ( $d_P$ )  |    | 800  | mm |
| Front to the floor ( $d_F$ )   |    | ---  | mm |
| Side ( $d_S$ )   | ** | 400  | mm |
| Side with glass ( $d_{S1}$ )   |    | 800  | mm |
| Side – niche ( $d_{S2}$ )  |    | ---  | mm |
| Side – location 45° ( $d_{S3}$ )   |    | ---  | mm |
| Side radiation ( $d_L$ )   |    | ---  | mm |
| From the floor ( $d_B$ )   |    | ---  | mm |
| From the ceiling ( $d_C$ )   |    | 1000 | mm |
| From the back and side edge of the fireplace insert to the inside of the insulation ( $d_{S4}$ ) | ** | 120  | mm |



- \* All local regulations, including regulations relating to national and European standards, must be observed during the installation and operation of the product.
- \*\* If the distance from the door glass to the combustible side wall is  $d_S < 400$  mm and must not be  $d_{S4} < 120$  mm, this wall must be protected by a 40 mm wide SILCA 250 insulation board or an adequate substitute.

| Legend | Note | Description                               | Material           | Dimension |
|--------|------|---|--------------------|-----------|
| 1      |      | Appliance                                 | 179B 0000 002      |           |
| 2      |      | Flue gas outlet                           | metal              | DN150     |
| 3      | *    | Insulation of the flue gas connection     |                    |           |
| 4      | *    | Mineral insulation                        |                    |           |
| 5      |      | Convection air space around the appliance |                    |           |
| 6      |      | Protective insulation of walls            | SILCA 250          | 2x50 mm   |
| 6A     |      | Protective ceiling insulation             | SILCA 250          | 80 mm     |
| 7      |      | Protective wall                           | hollow burnt brick | 100 mm    |
| 8      |      | Combustible wall                          |                    |           |
| 9      |      | Concrete slab                             |                    |           |
| 10     |      | Combustible floor                         |                    |           |

|                       |  |           |                     |
|-----------------------|--|-----------|---------------------|
| <b>11</b>             | Decorative / ornamental beam   |           |                     |
| <b>12</b>             | Beam with ventilation air gap  |           |                     |
| <b>13</b>             | Convection air inlet   |           | 500 cm <sup>2</sup> |
| <b>14</b>             | Convection air outlet  |           | 700 cm <sup>2</sup> |
| <b>15</b>             | Lining   | SILCA 250 | 40 mm               |
| <b>16</b>             | Support frame  |           |                     |
| <b>17</b>             | Combustible ceiling  |           |                     |
| <b>18</b>             | Protective insulation board for combustible floors   | SILCA 250 | 40 mm               |
| <b>19</b>             | Combustion air regulation  |           |                     |
| <b>20</b>             | Sheet metal cover if mineral wool is used  |           |                     |
| <b>21</b>             | If necessary, a floor protection plate under the appliance   |           |                     |
| <b>d<sub>c</sub></b>  | From the top of the exhaust vent to the combustible ceiling  |           | 1000 mm             |
| <b>d<sub>c1</sub></b> | - From the top of the fireplace insert to the underside of the ceiling insulation<br>- In the case of an installed heat exchanger from the top edge of the heat exchanger to the underside of the ceiling insulation |           | 300 mm<br>--- mm    |
| <b>d<sub>s4</sub></b> | ** From the back and side edge of the fireplace insert to the inside of the insulation   |           | 120 mm              |
| <b>d<sub>s5</sub></b> | From the front edge of the fireplace insert to the inside of the insulation  |           | 10 mm               |
| <b>d<sub>B</sub></b>  | From the bottom of the fireplace insert to the fireproof floor   |           | --- mm              |



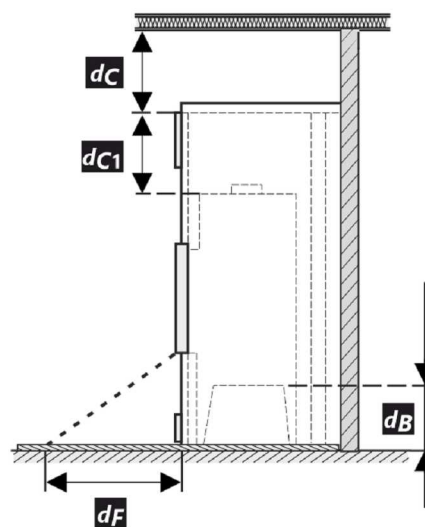
## Deklarierte Produkteigenschaften

|  |                        |                         |                    |                         |                                |
|--|------------------------|-------------------------|--------------------|-------------------------|--------------------------------|
| Harmonisierte technische Spezifikation                                     | EN 13240<br>✓ EN 13229 | EN 16510<br>✓ Ecodesign | DIN+<br>✓ BImSchV2 | DIBt<br>✓ 15a B-VG 2015 |                                |
| Produktklassifizierung   | Type BE                |                         |                    |                         |                                |
| Energiewirkungsgrad ( $\eta_{nom}$ )                                       | 85,7                   |                         |                    |                         | %                              |
| Energieeffizienzindex  | 114,3                  |                         |                    |                         |                                |
| Energielabel   | A+                     |                         |                    |                         |                                |
| Brennstoff   | Scheitholz             |                         |                    |                         |                                |
| Brennstofflänge  | 200-350                |                         |                    |                         | mm                             |
| Durchschnittlicher Brennstoffverbrauch                                     | 1,63                   |                         |                    |                         | kg/h                           |
| Zulässiger Brennstoffverbrauch   | 2,2                    |                         |                    |                         | kg/h                           |
| Brennstofflieferintervall  | 1 Stunde               |                         |                    |                         |                                |
| Verbrennungsluftmenge  | 20,7                   |                         |                    |                         | m <sup>3</sup> /h              |
| Nennwärmeleistung ( $P_{nom}$ )  | 5,7                    |                         |                    |                         | kW                             |
| Wärmetauscherleistung ( $P_{Wnom}$ )                                       | ---                    |                         |                    |                         | kW                             |
| Maximaler Betriebsüberdruck ( $p_w$ )                                      | ---                    |                         |                    |                         | bar                            |
| Rauchgasmassenstrom (trocken) für die Berechnung der Rauchgaswege          | 6,4                    |                         |                    |                         | g/s                            |
| Durchschnittliche Abgastemperatur ( $T_{nom}$ )                            | 206                    |                         |                    |                         | °C                             |
| Durchschnittliche Rauchgastemperatur hinter dem Stutzen                    | 213                    |                         |                    |                         | °C                             |
| Förderdruck ( $p_{nom}$ )  | 12                     |                         |                    |                         | Pa                             |
| Temperaturklasse   | T400                   |                         |                    |                         |                                |
| Mehrfachbelegung   | Ja                     |                         |                    |                         |                                |
| Feinstaub O <sub>2</sub> = 13 % ( $PM_{nom}$ )                             | 11                     |                         |                    |                         | mg/Nm <sup>3</sup>             |
| Abgasemission (CO in den Abgasen bei O <sub>2</sub> = 13 %) ( $CO_{nom}$ ) | 0,0752<br>940          |                         |                    |                         | %<br>mg/Nm <sup>3</sup>        |
| OGC O <sub>2</sub> = 13 % ( $OGC_{nom}$ )                                  | 53                     |                         |                    |                         | mg/Nm <sup>3</sup>             |
| NO <sub>x</sub> O <sub>2</sub> = 13 % ( $NO_{xnom}$ )                      | 118                    |                         |                    |                         | mg/Nm <sup>3</sup>             |
| Automatische Abbrandsteuerung  | ---                    |                         |                    |                         |                                |
| Stromverbrauch (W)   | ---                    |                         |                    |                         | W                              |
| Ständiger Luftverlust ( $V_h$ )  | ---                    |                         |                    |                         | m <sup>3</sup> <sub>N</sub> /h |
| Intervallbetrieb (INT) / Dauerbetrieb (CON)                                | INT                    |                         |                    |                         |                                |

## Technische Grunddaten

|  |            |       |                 |
|--|------------|-------|-----------------|
| Hauptabmessungen                                 | Höhe (H)   | 983   | mm              |
|  | Breite (W) | 600   | mm              |
|  | Tiefe (L)  | 375   | mm              |
| Abmessungen der Brennkammer                      | Höhe (H)   | 440   | mm              |
|  | Breite (W) | 469   | mm              |
|  | Tiefe (L)  | 210   | mm              |
| Abmessungen der Feuerraumtür                     | Höhe (H)   | 407   | mm              |
|  | Breite (W) | 577,5 | mm              |
|  | Tiefe (L)  | 307   | mm              |
| Achshöhe hinterer (seitlichen) Rauchrohanschluss | ---        |       | mm              |
| Volumen Wärmetauscher                            | ---        |       | l               |
| Rauchrohrdurchmesser                             | 150        |       | mm              |
| Abgasstutzen ( $D_{out}$ )                       | 150        |       | mm              |
| Durchmesser zentrale Luftzufuhr                  | 125        |       | mm              |
| Gewicht  | 107        |       | kg              |
| Fläche Zuluftgitter                              | 500        |       | cm <sup>2</sup> |
| Fläche Abluftgitter                              | 700        |       | cm <sup>2</sup> |

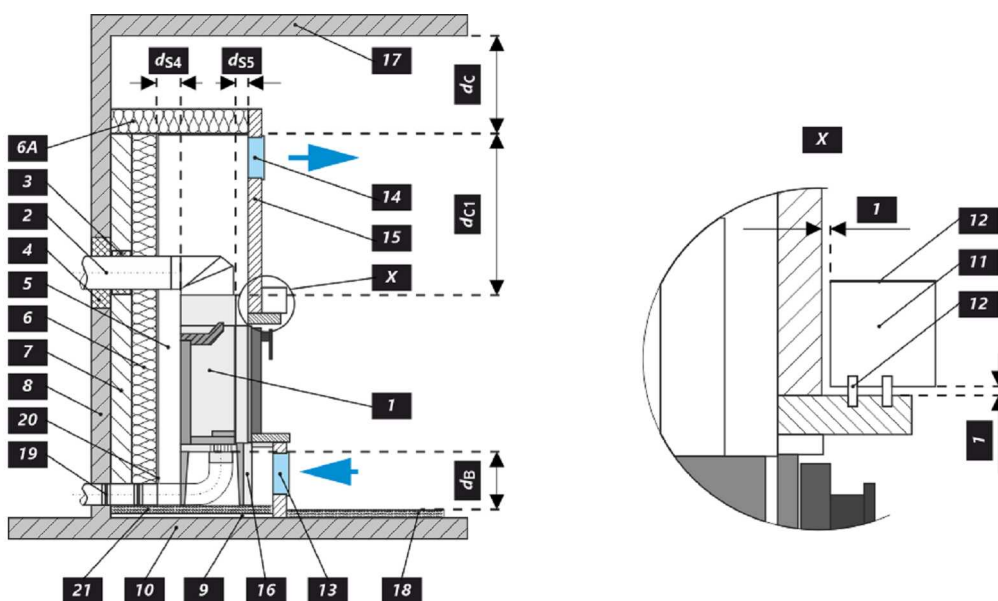
| Abstand zu brennbaren Materialien  | Bemerkung |      |    |
|--|-----------|------|----|
| Rückwand ( $d_R$ )   |           | 400  | mm |
| Strahlungsbereich ( $d_P$ )  |           | 800  | mm |
| Strahlungsbereich zum Boden ( $d_F$ )  |           | ---  | mm |
| Seitenwände ( $d_S$ )  | **        | 400  | mm |
| Seite mit Glas ( $d_{S1}$ )  |           | 800  | mm |
| Seite – Nische ( $d_{S2}$ )  |           | ---  | mm |
| Seite – Ausrichtung 45° ( $d_{S3}$ )   |           | ---  | mm |
| Seitliche Strahlung ( $d_L$ )  |           | ---  | mm |
| Von dem Boden ( $d_B$ )  |           | ---  | mm |
| Decke ( $d_C$ )  |           | 1000 | mm |
| Von der hinteren- und seitlichen Kante des Kamineinsatzes bis zur Innenseite der Isolierung ( $d_{S4}$ ) | **        | 120  | mm |



- \* Bei der Installation und dem Betrieb des Ofens sind alle örtlichen Vorschriften sowie nationale und europäische Normen zu beachten.
- \*\* Wenn der Abstand vom Türglas zur brennbaren Seitenwand  $d_S < 400$  mm beträgt und nicht  $d_{S4} < 120$  mm sein darf, muss diese Wand durch eine 40 mm breite SILCA 250 Dämmplatte oder einen geeigneten Ersatz geschützt werden.

| Legende | Bemerkung | Beschreibung                        | Material              | Maß     |
|---------|-----------|-------------------------------------|-----------------------|---------|
| 1       |           | Gerät                               | 179B 0000 002         |         |
| 2       |           | Rauchgasabgang                      | metall                | DN150   |
| 3       | *         | Isolierung Anschluss Rauchgasabgang |                       |         |
| 4       | *         | Mineralwolleisolierung              |                       |         |
| 5       |           | Konvektionsraum um das Gerät        |                       |         |
| 6       |           | Schutzisolierung der Wände          | SILCA 250             | 2x50 mm |
| 6A      |           | Schutzisolierung der Decke          | SILCA 250             | 80 mm   |
| 7       |           | Schutzwand                          | gebrannter hohlziegel | 100 mm  |
| 8       |           | Brennbare Wand                      |                       |         |
| 9       |           | Betonplatte                         |                       |         |
| 10      |           | Brennbarer Boden                    |                       |         |

|                       |  |           |                     |
|-----------------------|--|-----------|---------------------|
| <b>11</b>             | Dekorativer Träger   |           |                     |
| <b>12</b>             | Träger mit Belüftungsspalt   |           |                     |
| <b>13</b>             | Konvektionslufteinlass   |           | 500 cm <sup>2</sup> |
| <b>14</b>             | Konvektionsluftauslass   |           | 700 cm <sup>2</sup> |
| <b>15</b>             | Verkleidung  | SILCA 250 | 40 mm               |
| <b>16</b>             | Tragrahmen   |           |                     |
| <b>17</b>             | Brennbare Decke  |           |                     |
| <b>18</b>             | Schutzisolierungsplatte des brennbaren Bodens  | SILCA 250 | 40 mm               |
| <b>19</b>             | Verbrennungsluftregulierung  |           |                     |
| <b>20</b>             | Blechabdeckung bei Verwendung von Mineralwolle   |           |                     |
| <b>21</b>             | Falls nötig eine Bodenschutzplatte unter dem Gerät   |           |                     |
| <b>d<sub>c</sub></b>  | Von der Oberkante der Abluftöffnung bis zur brennbaren Decke   |           | 1000 mm             |
| <b>d<sub>c1</sub></b> | – Von der Oberkante des Kamineinsatzes bis zur Unterkante der Deckenisolierung<br>– Im Falle eines eingebauten Wärmetauschers – von der Oberkante des Wärmetauschers bis zur Unterseite der Deckenisolierung |           | 300 mm<br>--- mm    |
| <b>d<sub>s4</sub></b> | ** Von der hinteren- und seitlichen Kante des Kamineinsatzes bis zur Innenseite der Isolierung   |           | 120 mm              |
| <b>d<sub>s5</sub></b> | Von der Vorderkante des Kamineinsatzes bis zur Innenseite der Isolierung   |           | 10 mm               |
| <b>d<sub>B</sub></b>  | Von der Unterseite des Kamineinsatzes bis zum feuerfesten Boden  |           | --- mm              |



## Caractéristiques déclarées du produit

|  |                                    |                         |                    |                         |
|--|------------------------------------|-------------------------|--------------------|-------------------------|
| Norme(s) Européennes   | EN 13240<br>✓ EN 13229             | EN 16510<br>✓ Ecodesign | DIN+<br>✓ BImSchV2 | DIBt<br>✓ 15a B-VG 2015 |
| Classification de l'appareil   | Type BE                            |                         |                    |                         |
| Rendement énergétique ( $\eta_{nom}$ )   | 85,7 %                             |                         |                    |                         |
| L'indice d'efficacité énergétique EEI  | 114,3                              |                         |                    |                         |
| Label énergétique  | A+                                 |                         |                    |                         |
| Combustible  | Bûches                             |                         |                    |                         |
| Longueur recommandée de bûches   | 200-350 mm                         |                         |                    |                         |
| Consommation moyenne de combustible  | 1,63 kg/h                          |                         |                    |                         |
| Charge en bois autorisé  | 2,2 kg/h                           |                         |                    |                         |
| Intervalle entre les chargements de combustible  | 1 heure                            |                         |                    |                         |
| Débit massique des fumées  | 20,7 m <sup>3</sup> /h             |                         |                    |                         |
| Puissance nominale ( $P_{nom}$ )   | 5,7 kW                             |                         |                    |                         |
| Puissance nominale de l'échangeur ( $P_{Wnom}$ )   | ---                                |                         |                    |                         |
| Suppression maximale de fonctionnement ( $p_w$ )   | ---                                |                         |                    |                         |
| Débit massique des gaz de combustion secs pour le calcul des gaz de combustion                           | 6,4 g/s                            |                         |                    |                         |
| Température moyenne des résidus de combustion ( $T_{nom}$ )  | 206 °C                             |                         |                    |                         |
| Température moyenne des résidus de combustion derrière la sortie   | 213 °C                             |                         |                    |                         |
| Tirage de conduit de fumée ( $p_{nom}$ )   | 12 Pa                              |                         |                    |                         |
| Classe de température  | T400                               |                         |                    |                         |
| Raccordement à une cheminée collective   | Oui                                |                         |                    |                         |
| Poussière O <sub>2</sub> = 13 % ( $PM_{nom}$ )   | 11 mg/Nm <sup>3</sup>              |                         |                    |                         |
| Résidus de combustion émis (CO dans les résidus de combustion pour O <sub>2</sub> = 13 %) ( $CO_{nom}$ ) | 0,0752 %<br>940 mg/Nm <sup>3</sup> |                         |                    |                         |
| OGC O <sub>2</sub> = 13 % ( $OGC_{nom}$ )  | 53 mg/Nm <sup>3</sup>              |                         |                    |                         |
| NOx O <sub>2</sub> = 13 % ( $NO_{Xnom}$ )  | 118 mg/Nm <sup>3</sup>             |                         |                    |                         |
| Régulation automatique de la combustion  | ---                                |                         |                    |                         |
| La consommation d'électricité ( W )  | ---                                |                         |                    |                         |
| Standing air loss (V <sub>h</sub> )  | ---                                |                         |                    |                         |
| Fonctionnement par intermittence (INT) / Service ininterrompu (CON)                                      | INT                                |                         |                    |                         |

## Données techniques de base

|  |                |       |                 |
|--|----------------|-------|-----------------|
| Dimensions principales                             | Hauteur (H)    | 983   | mm              |
|  | Largeur (W)    | 600   | mm              |
|  | Profondeur (L) | 375   | mm              |
| Dimensions de la chambre de combustion             | Hauteur (H)    | 440   | mm              |
|  | Largeur (W)    | 469   | mm              |
|  | Profondeur (L) | 210   | mm              |
| Dimensions de la porte (du foyer)                  | Hauteur (H)    | 407   | mm              |
|  | Largeur (W)    | 577,5 | mm              |
|  | Profondeur (L) | 307   | mm              |
| Hauteur de l'axe de la sortie arrière (latérale)   | ---            |       | mm              |
| Volume de l'échangeur de chaleur                   | ---            |       | l               |
| Diamètre du conduit de fumée                       | 150            |       | mm              |
| Diamètre de buse d'air de combustion ( $D_{out}$ ) | 150            |       | mm              |
| Diamètre de l'arrivée d'air centrale               | 125            |       | mm              |
| Poids  | 107            |       | kg              |
| Zone de la grille de ventilation d'entrée          | 500            |       | cm <sup>2</sup> |
| Zone de la grille de ventilation de sortie         | 700            |       | cm <sup>2</sup> |

**Isolation protectrice des plafonds**

Note

|  |    |      |    |
|--|----|------|----|
| Arrière ( $d_R$ )  |    | 400  | mm |
| Avant ( $d_P$ )  |    | 800  | mm |
| Avant (par rapport au sol) ( $d_F$ )   |    | ---  | mm |
| Latéral ( $d_S$ )  | ** | 400  | mm |
| Latéral avec vitre ( $d_{S1}$ )  |    | 800  | mm |
| Latéral – niche ( $d_{S2}$ )   |    | ---  | mm |
| Latéral – emplacement 45° ( $d_{S3}$ )   |    | ---  | mm |
| Rayonnement latéral ( $d_L$ )  |    | ---  | mm |
| Depuis le sol ( $d_B$ )  |    | ---  | mm |
| Plafond ( $d_C$ )  |    | 1000 | mm |
| Du bord arrière et latéral de l'insert de cheminée jusqu'à l'intérieur de l'isolation ( $d_{S4}$ ) | ** | 120  | mm |

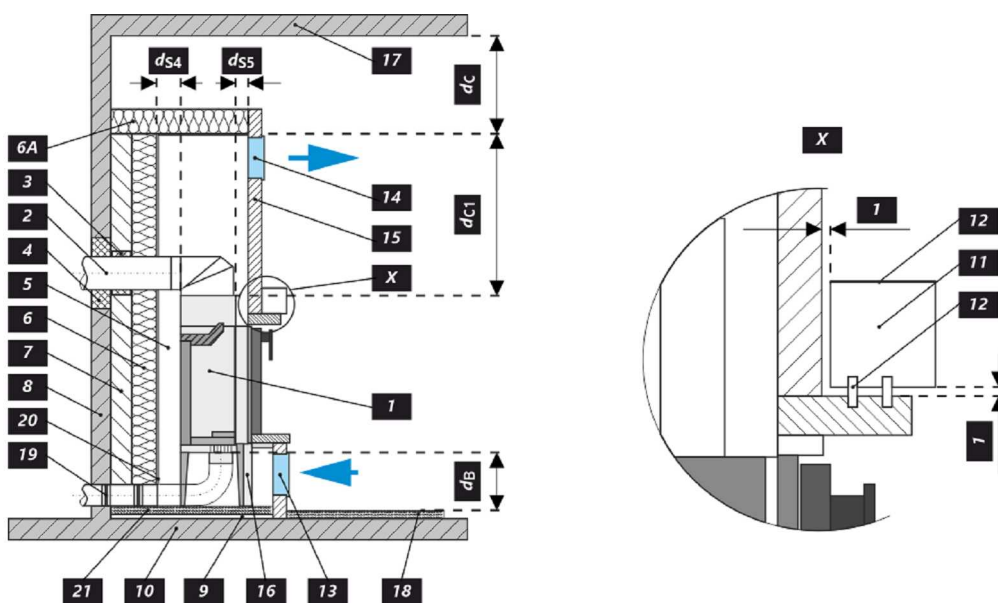


- \* Lors de l'installation et de l'utilisation du produit, toutes les réglementations locales doivent être respectées, y compris celles relatives aux normes nationales et européennes.
- \*\* Si la distance entre la vitre de la porte et la paroi latérale combustible est  $d_S < 400$  mm et ne doit pas être  $d_{S4} < 120$  mm, cette paroi doit être protégée par un panneau isolant SILCA 250 de 40 mm de large ou un substitut approprié.

| Légende | Note | Description   | Matériel            | Dimension |
|---------|------|---|---------------------|-----------|
| 1       |      | Appareil ménager                                    | 179B 0000 002       |           |
| 2       |      | Extraction des résidus de combustion                | métal               | DN150     |
| 3       | *    | Isolation du raccordement des résidus de combustion |                     |           |
| 4       | *    | Isolation minérale                                  |                     |           |
| 5       |      | Espace de convection autour de l'appareil           |                     |           |
| 6       |      | Isolation protectrice des murs                      | SILCA 250           | 2x50 mm   |
| 6A      |      | Isolation protectrice des plafonds                  | SILCA 250           | 80 mm     |
| 7       |      | Mur de protection                                   | brique creuse cuite | 100 mm    |
| 8       |      | Mur inflammable                                     |                     |           |
| 9       |      | Plaque de béton                                     |                     |           |
| 10      |      | Sol inflammable                                     |                     |           |



|                       |  |           |                     |
|-----------------------|--|-----------|---------------------|
| <b>11</b>             | Support décoratif / ornemental   |           |                     |
| <b>12</b>             | Support avec espace de ventilation   |           |                     |
| <b>13</b>             | Entrée d'air de convection   |           | 500 cm <sup>2</sup> |
| <b>14</b>             | Sortie d'air de convection   |           | 700 cm <sup>2</sup> |
| <b>15</b>             | Habillage  | SILCA 250 | 40 mm               |
| <b>16</b>             | Cadre de support   |           |                     |
| <b>17</b>             | Plafond inflammable  |           |                     |
| <b>18</b>             | Panneau isolant de protection pour sols combustibles   | SILCA 250 | 40 mm               |
| <b>19</b>             | Régulation de l'air de combustion  |           |                     |
| <b>20</b>             | Couverture en tôle si de la laine minérale est utilisée  |           |                     |
| <b>21</b>             | Si nécessaire, une plaque de sol de protection située sous l'appareil  |           |                     |
| <b>d<sub>c</sub></b>  | Du haut du conduit d'évacuation au plafond combustible   |           | 1000 mm             |
| <b>d<sub>c1</sub></b> | – Du haut de l'insert de cheminée jusqu'au bas de l'isolation du plafond<br>– Dans le cas d'un échangeur de chaleur installé – du bord supérieur de l'échangeur de chaleur à la partie inférieure de l'isolation du plafond. |           | 300 mm<br>--- mm    |
| <b>d<sub>s4</sub></b> | ** Du bord arrière et latéral de l'insert de cheminée jusqu'à l'intérieur de l'isolation   |           | 120 mm              |
| <b>d<sub>s5</sub></b> | Du bord avant de l'insert de cheminée à l'intérieur de l'isolation   |           | 10 mm               |
| <b>d<sub>B</sub></b>  | Du bas de l'insert de cheminée jusqu'au sol incombustible  |           | --- mm              |



**Proprietà dichiarate del prodotto**

|  |                        |                         |                    |                         |                                |
|--|------------------------|-------------------------|--------------------|-------------------------|--------------------------------|
| Specificazioni tecniche armonizzate  | EN 13240<br>✓ EN 13229 | EN 16510<br>✓ Ecodesign | DIN+<br>✓ BImSchV2 | DIBt<br>✓ 15a B-VG 2015 |                                |
| Classificazione del prodotto   | Type BE                |                         |                    |                         |                                |
| Efficienza energetica ( $\eta_{nom}$ )   | 85,7                   |                         |                    |                         | %                              |
| Indice di efficienza prodotto  | 114,3                  |                         |                    |                         |                                |
| Etichetta energetica   | A+                     |                         |                    |                         |                                |
| Combustibile   | Legna                  |                         |                    |                         |                                |
| Combustibile – lunghezza   | 200-350                |                         |                    |                         | mm                             |
| Consumo medio di combustibile  | 1,63                   |                         |                    |                         | kg/h                           |
| Dose ammessa di combustibile   | 2,2                    |                         |                    |                         | kg/h                           |
| Intervallo di aggiunta di combustibile   | 1 ora                  |                         |                    |                         |                                |
| Quantità di aria di combustione  | 20,7                   |                         |                    |                         | m <sup>3</sup> /h              |
| Protenza nominale ( $P_{nom}$ )  | 5,7                    |                         |                    |                         | kW                             |
| Protenza nominale dello scambiatore di acqua calda ( $P_{Wnom}$ )                    | ---                    |                         |                    |                         | kW                             |
| Sovrappressione massima di funzionamento ( $p_w$ )                                   | ---                    |                         |                    |                         | bar                            |
| Portata dei fumi di scarico secchi per il calcolo delle condotte dei fumi di scarico | 6,4                    |                         |                    |                         | g/s                            |
| Temperatura dei gas combusti alla potenza calorica nominale ( $T_{nom}$ )            | 206                    |                         |                    |                         | °C                             |
| Temp. media dei gas di scarico al collo alla potenza termica nominale                | 213                    |                         |                    |                         | °C                             |
| Tiro di esercizio ( $p_{nom}$ )  | 12                     |                         |                    |                         | Pa                             |
| Classe di temperatura del camino   | T400                   |                         |                    |                         |                                |
| Collegamento al camino collettivo  | Sì                     |                         |                    |                         |                                |
| Polvere O <sub>2</sub> = 13 % ( $PM_{nom}$ )   | 11                     |                         |                    |                         | mg/Nm <sup>3</sup>             |
| Emissioni (CO nei gas comburenti all' O <sub>2</sub> = 13 %) ( $CO_{nom}$ )          | 0,0752<br>940          |                         |                    |                         | %<br>mg/Nm <sup>3</sup>        |
| OGC O <sub>2</sub> = 13 % ( $OGC_{nom}$ )  | 53                     |                         |                    |                         | mg/Nm <sup>3</sup>             |
| NOx O <sub>2</sub> = 13 % ( $NO_{xnom}$ )  | 118                    |                         |                    |                         | mg/Nm <sup>3</sup>             |
| Controllo automatico della combustione   | ---                    |                         |                    |                         |                                |
| Consumo di energia elettrica ( W )   | ---                    |                         |                    |                         | W                              |
| Perdita d'aria in piedi ( $V_h$ )  | ---                    |                         |                    |                         | m <sup>3</sup> <sub>N</sub> /h |
| Funzionamento intermittente (INT) / Funzionamento continuo (CON)                     | INT                    |                         |                    |                         |                                |

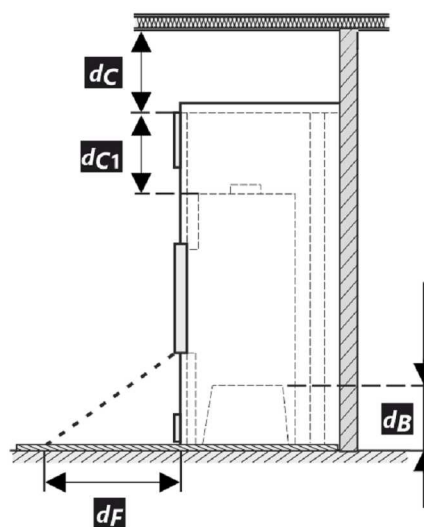
**Dati tecnici di base**

|   |                |       |                 |
|---|----------------|-------|-----------------|
| Dimensioni principali                               | Altezza (H)    | 983   | mm              |
|   | Larghezza (W)  | 600   | mm              |
|   | Profondità (L) | 375   | mm              |
| Dimensioni della camera di combustione              | Altezza (H)    | 440   | mm              |
|   | Larghezza (W)  | 469   | mm              |
|   | Profondità (L) | 210   | mm              |
| Dimensioni dello sportello del focolare             | Altezza (H)    | 407   | mm              |
|   | Larghezza (W)  | 577,5 | mm              |
|   | Profondità (L) | 307   | mm              |
| Altezza dell'asse dell'uscita posteriore (laterale) | ---            |       | mm              |
| Volume dello scambiatore di acqua calda             | ---            |       | l               |
| Diametro del condotto fumario                       | 150            |       | mm              |
| Diametro del gola della canna fumaria ( $D_{out}$ ) | 150            |       | mm              |
| Diametro dell'afflusso centralizzato di aria        | 125            |       | mm              |
| Peso  | 107            |       | kg              |
| Superficie della griglia di aerazione d'ingresso    | 500            |       | cm <sup>2</sup> |
| Superficie della griglia di aerazione d'uscita      | 700            |       | cm <sup>2</sup> |

## Distanza di materiali infiammabili

Nota

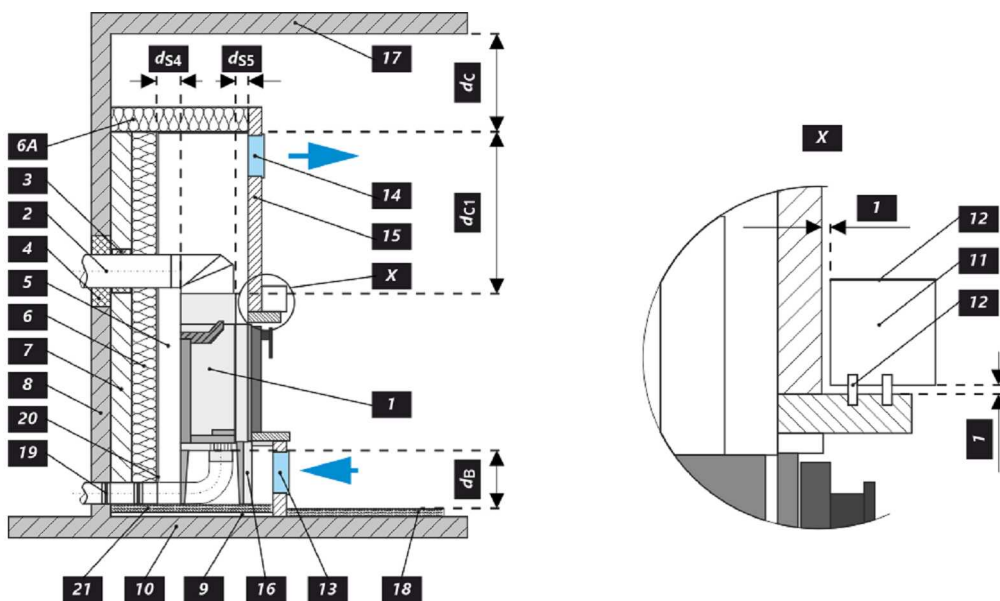
|  |    |      |    |
|--|----|------|----|
| Posteriore ( $d_R$ )   |    | 400  | mm |
| Anteriore ( $d_P$ )  |    | 800  | mm |
| Anteriore (rispetto al pavimento) ( $d_F$ )  |    | ---  | mm |
| Laterali ( $d_S$ )   | ** | 400  | mm |
| Vetrata laterale ( $d_{S1}$ )  |    | 800  | mm |
| Laterali - nicchia ( $d_{S2}$ )  |    | ---  | mm |
| Laterali - posizione 45° ( $d_{S3}$ )  |    | ---  | mm |
| Radiazione laterale ( $d_L$ )  |    | ---  | mm |
| Dal pavimento ( $d_B$ )  |    | ---  | mm |
| Dal soffitto ( $d_C$ )   |    | 1000 | mm |
| Dal bordo posteriore e laterale dell'inserto del caminetto fino all'interno dell'isolazione ( $d_{S4}$ ) | ** | 120  | mm |



- \* Durante il montaggio e l'uso del prodotto, devono essere rispettate tutte le normative locali, incluse le norme nazionali ed europee.
- \*\* Se la distanza dal vetro della porta alla parete laterale combustibile è  $d_S < 400$  mm e non deve essere  $d_{S4} < 120$  mm, questa parete deve essere protetta da un pannello isolante SILCA 250 largo 40 mm o da un idoneo sostituto.

| Legenda | Nota | Descrizione                                     | Materiale             | Dimensione |
|---------|------|---|-----------------------|------------|
| 1       |      | Apparecchio                                     | 179B 0000 002         |            |
| 2       |      | Scarico fumi                                    | metallo               | DN150      |
| 3       | *    | Isolamento del raccordo scarico fumi            |                       |            |
| 4       | *    | Isolamento minerale                             |                       |            |
| 5       |      | Spazio d'aria di convezione intorno all'inserto |                       |            |
| 6       |      | Isolazione della parete                         | SILCA 250             | 2x50 mm    |
| 6A      |      | Isolazione del soffitto                         | SILCA 250             | 80 mm      |
| 7       |      | Parete di protezione                            | refrattario trafialto | 100 mm     |
| 8       |      | Parete infiammabile                             |                       |            |
| 9       |      | Lastra di calcestruzzo                          |                       |            |
| 10      |      | Pavimento infiammabile                          |                       |            |

|                       |  |           |                     |
|-----------------------|--|-----------|---------------------|
| <b>11</b>             | Trave decorativa   |           |                     |
| <b>12</b>             | Trave con intercapedine di ventilazione  |           |                     |
| <b>13</b>             | Ingresso aria di convezione  |           | 500 cm <sup>2</sup> |
| <b>14</b>             | Uscita aria di convezione  |           | 700 cm <sup>2</sup> |
| <b>15</b>             | Rivestimento   | SILCA 250 | 40 mm               |
| <b>16</b>             | Telaio di supporto   |           |                     |
| <b>17</b>             | Soffitto in infiammabile   |           |                     |
| <b>18</b>             | Pannello isolante protettivo per pavimenti in infiammabili   | SILCA 250 | 40 mm               |
| <b>19</b>             | Gestione dell'aria comburente  |           |                     |
| <b>20</b>             | Copertura in lamiera con utilizzo di lana di roccia  |           |                     |
| <b>21</b>             | Se necessario, piastra di protezione sotto l'apparecchio   |           |                     |
| <b>d<sub>c</sub></b>  | Dall'alto della bocchetta aria superiore al soffitto combustibile  |           | 1000 mm             |
| <b>d<sub>c1</sub></b> | - Dalla parte superiore dell'inserto caminetto alla parte inferiore dell'isolazione del soffitto                                     |           | 300 mm              |
|                       | - In caso di utilizzo scambiatore di calore, dal bordo superiore dello scambiatore alla parte inferiore dell'isolamento del soffitto |           | --- mm              |
| <b>d<sub>s4</sub></b> | ** Dal bordo posteriore e laterale dell'inserto del caminetto fino all'interno dell'isolazione                                       |           | 120 mm              |
| <b>d<sub>s5</sub></b> | Dal bordo anteriore dell'inserto caminetto fino all'interno dell'isolazione  |           | 10 mm               |
| <b>d<sub>B</sub></b>  | Dal fondo dell'inserto caminetto al pavimento ignifugo   |           | --- mm              |



**Deklaracija lastnosti**

|   |                        |                         |                    |                         |                         |
|---|------------------------|-------------------------|--------------------|-------------------------|-------------------------|
| Harmonizirana tehnična specifikacija  | EN 13240<br>✓ EN 13229 | EN 16510<br>✓ Ecodesign | DIN+<br>✓ BlmSchV2 | DIBt<br>✓ 15a B-VG 2015 |                         |
| Klasifikacija izdelka   | Type BE                |                         |                    |                         |                         |
| Energetska učinkovitost ( $\eta_{nom}$ )  | 85,7                   |                         |                    |                         | %                       |
| Indeks energetske učinkovitosti   | 114,3                  |                         |                    |                         |                         |
| Energijska nalepka  | A+                     |                         |                    |                         |                         |
| Gorivo  | Drva                   |                         |                    |                         |                         |
| Priporočljiva dolžina goriva  | 200-350                |                         |                    |                         | mm                      |
| Povprečna poraba lesa   | 1,63                   |                         |                    |                         | kg/h                    |
| Dovoljena količina lesa   | 2,2                    |                         |                    |                         | kg/h                    |
| Interval dobave goriva za nazivno moč   | 1 ura                  |                         |                    |                         |                         |
| Zahtevan zrak za izgorevanje  | 20,7                   |                         |                    |                         | m <sup>3</sup> /h       |
| Nazivna moč ( $P_{nom}$ )   | 5,7                    |                         |                    |                         | kW                      |
| Izhod toplovodnega izmenjevalnika ( $P_{Wnom}$ )  | ---                    |                         |                    |                         | kW                      |
| Delovni tlak ( $p_w$ )  | ---                    |                         |                    |                         | bar                     |
| Masni pretok huhih dimnih plinov  | 6,4                    |                         |                    |                         | g/s                     |
| Srednja temperatura plinov pri nazivni toplotni moči ( $T_{nom}$ )                      | 206                    |                         |                    |                         | °C                      |
| Srednja temperatura dimnih plinov po grlu pri nazivni toplotni moči                     | 213                    |                         |                    |                         | °C                      |
| Vlek dimnika ( $p_{nom}$ )  | 12                     |                         |                    |                         | Pa                      |
| Temperaturni razred kamina  | T400                   |                         |                    |                         |                         |
| Priključek na skupni dimnik   | Da                     |                         |                    |                         |                         |
| Prah O <sub>2</sub> = 13 % ( $PM_{nom}$ )   | 11                     |                         |                    |                         | mg/Nm <sup>3</sup>      |
| Emisije izgorovalnih plinov (CO v dimne pline pri O <sub>2</sub> = 13 %) ( $CO_{nom}$ ) | 0,0752<br>940          |                         |                    |                         | %<br>mg/Nm <sup>3</sup> |
| OGC O <sub>2</sub> = 13 % ( $OGC_{nom}$ )   | 53                     |                         |                    |                         | mg/Nm <sup>3</sup>      |
| NOx O <sub>2</sub> = 13 % ( $NO_{Xnom}$ )   | 118                    |                         |                    |                         | mg/Nm <sup>3</sup>      |
| Avtomatska regulacija gorenja   | ---                    |                         |                    |                         |                         |
| Poraba električne energije (W)  | ---                    |                         |                    |                         | W                       |
| Stalna izguba zraka ( $V_h$ )   | ---                    |                         |                    |                         | m <sup>3</sup> /h       |
| Prekinjeno delovanje (INT) / Nprekinjeno delovanje (CON)                                | INT                    |                         |                    |                         |                         |

**Osnovni tehnični podatki**

|   |             |       |                 |
|---|-------------|-------|-----------------|
| Dimenzije   | Višina (H)  | 983   | mm              |
|   | Širina (W)  | 600   | mm              |
|   | Globina (L) | 375   | mm              |
| Dimenzije zgorovalne komore                                       | Višina (H)  | 440   | mm              |
|   | Širina (W)  | 469   | mm              |
|   | Globina (L) | 210   | mm              |
| Dimenzije vrat peči   | Višina (H)  | 407   | mm              |
|   | Širina (W)  | 577,5 | mm              |
|   | Globina (L) | 307   | mm              |
| Višina osi zadnjega (stranskega) izpusta                          | ---         |       | mm              |
| Prostornina toplotnega izmenjevalnika                             | ---         |       | l               |
| Premer priključka dimne cevi                                      | 150         |       | mm              |
| Premer dimne cevi ( $D_{out}$ )                                   | 150         |       | mm              |
| Zunanji dovod zraka (ZDZ)   | 125         |       | mm              |
| Teža  | 107         |       | kg              |
| Minimalni presek konvektne odprtine za dovod zraka za nazivno moč | 500         |       | cm <sup>2</sup> |
| Minimalni presek konvektne odprtine za odvod zraka za nazivno moč | 700         |       | cm <sup>2</sup> |

**Varna razdalja od vnetljivih materialov**

Opomba

|  |    |      |    |
|--|----|------|----|
| Zadaj ( $d_R$ )  |    | 400  | mm |
| Spredaj ( $d_P$ )  |    | 800  | mm |
| Stran od tal ( $d_F$ )   |    | ---  | mm |
| Stran ( $d_S$ )  | ** | 400  | mm |
| Stran s steklom ( $d_{S1}$ )   |    | 800  | mm |
| Stran – niša ( $d_{S2}$ )  |    | ---  | mm |
| Stran – postavitev pod kotom 45° ( $d_{S3}$ )  |    | ---  | mm |
| Stransko sevanje ( $d_L$ )   |    | ---  | mm |
| Od tal ( $d_B$ )   |    | ---  | mm |
| Od stropa ( $d_C$ )  |    | 1000 | mm |
| Od zadnjega in stranskega roba kaminskega vložka do notranje strani izolacije ( $d_{S4}$ ) | ** | 120  | mm |



- \* Pri montaži in delovanju izdelka morajo biti upoštevani vsi lokalni predpisi, vključno predpisi, ki se nanašajo na lokalne in Evropske standarde.
- \*\* Če je razdalja od stekla vrat do gorljive stranske stene  $d_S < 400$  mm, pri čemer ne sme biti  $d_{S4} < 120$  mm, se mora ta zid zavarov z izolativno desko SILCA 250 širine 40 mm, ali pa ustreznim nadomestilom.

| Legenda | Opomba | Opis  | Material          | Dimenzija |
|---------|--------|---|-------------------|-----------|
| 1       |        | Naprava                                     | 179B 0000 002     |           |
| 2       |        | Odvod dimnih plinov                         | kov               | DN150     |
| 3       | *      | Izolacija priključka za odvod dimnih plinov |                   |           |
| 4       | *      | Mineralna izolacija                         |                   |           |
| 5       |        | Konvekcijski zračni prostor okoli naprave   |                   |           |
| 6       |        | Zaščitna izolacija sten                     | SILCA 250         | 2x50 mm   |
| 6A      |        | Zaščitna izolacija stropa                   | SILCA 250         | 80 mm     |
| 7       |        | Zaščitna stena                              | votla žgana opeka | 100 mm    |
| 8       |        | Gorljiva stena                              |                   |           |
| 9       |        | Betonska plošča                             |                   |           |
| 10      |        | Gorljiva podlaga                            |                   |           |

|                       |  |           |                     |
|-----------------------|--|-----------|---------------------|
| 11                    | Dekoratívni / okrasni nosilec  |           |                     |
| 12                    | Nosilec s prežračevalno zračno režo  |           |                     |
| 13                    | Vhod konvekcijskega zraka  |           | 500 cm <sup>2</sup> |
| 14                    | Izhod konvekcijskega zraka   |           | 700 cm <sup>2</sup> |
| 15                    | Obloga   | SILCA 250 | 40 mm               |
| 16                    | Nosilni okvir  |           |                     |
| 17                    | Gorljiv strop  |           |                     |
| 18                    | Zaščitna izolacijska deska   | SILCA 250 | 40 mm               |
| 19                    | Regulacija zraka za izgorevanje  |           |                     |
| 20                    | Pločevinasti pokrov v primeru uporabe mineralne volne  |           |                     |
| 21                    | Po potrebi zaščitna talna plošča pod napravo   |           |                     |
| <b>d<sub>c</sub></b>  | Od vrha odvoda zraka do gorljivega stropa  |           | 1000 mm             |
| <b>d<sub>c1</sub></b> | – Od vrha kaminskega vložka do spodnje strani stropne izolacije  |           | 300 mm              |
|                       | – Pri vgrajenem toplotnem izmenjevalniku – od zgornjega roba toplotnega izmenjevalnika do spodnje strani stropne izolacije |           | --- mm              |
| <b>d<sub>s4</sub></b> | ** Od zadnjega in stranskega roba kaminskega vložka do notranje strani izolacije   |           | 120 mm              |
| <b>d<sub>s5</sub></b> | Od sprednjega roba kaminskega vložka do notranje strani izolacije  |           | 10 mm               |
| <b>d<sub>B</sub></b>  | Od dna kaminskega vložka do ognjevarne podlage   |           | --- mm              |

