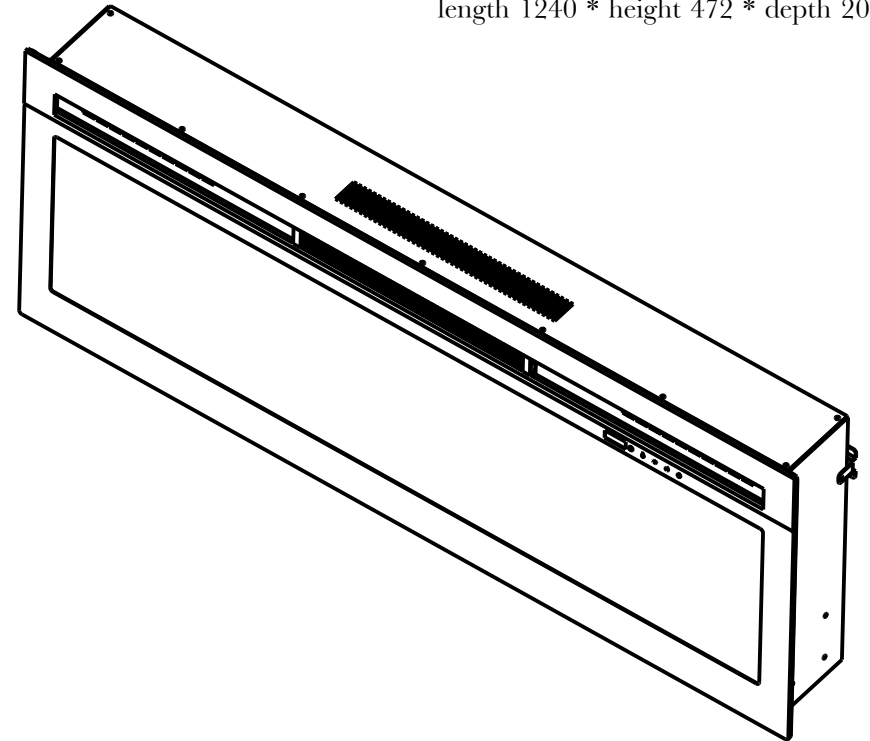
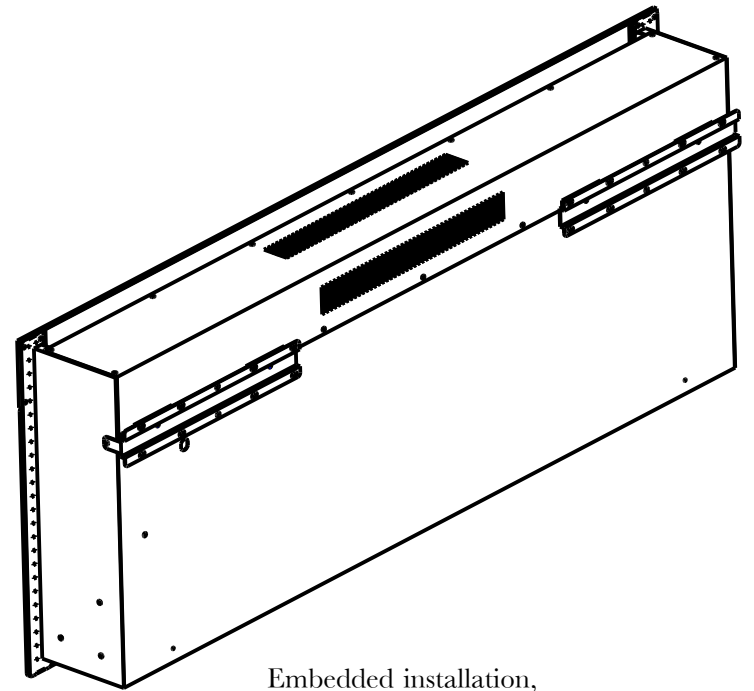
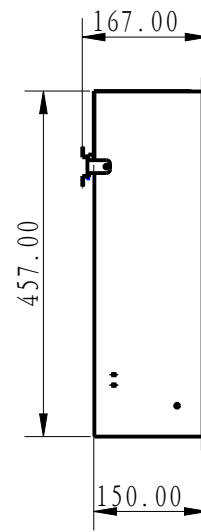
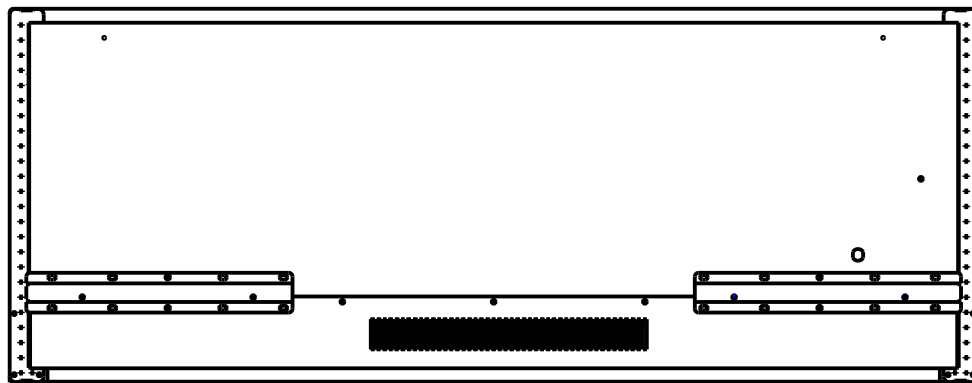
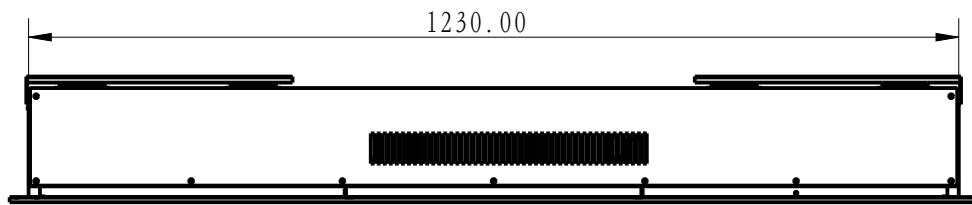
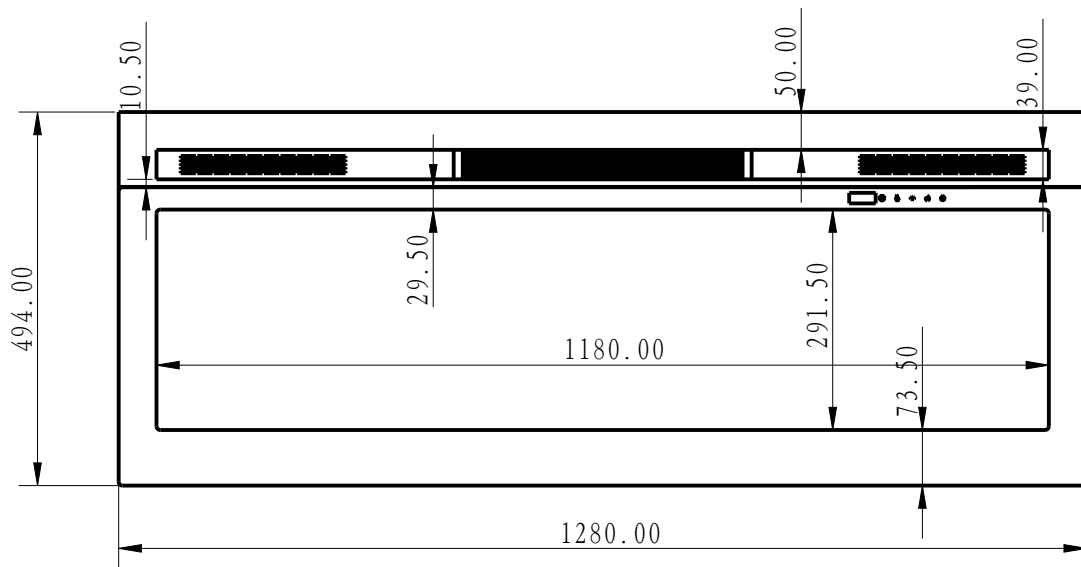


Embedded installation,
recommended hole size:
length 1240 * height 472 * depth 200





Embedded installation,
recommended hole size:
length 1240 * height 472 * depth 200

