



Refrigerator

User manual

Réfrigérateur

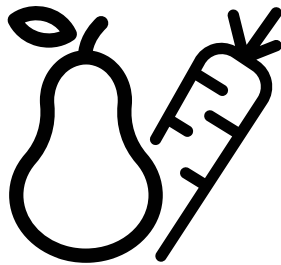
Manuel d'utilisation

Kühlschrank/Gefrierschrank

Bedienungsanleitung

Koelkast

Gebruiksaanwijzing



TSE1284N



EN / FR / DE / NL

58 4198 0000/AB
1/6

Please read this user manual first!

Dear Customer,

We hope that your product, which has been produced in modern plants and checked under the most meticulous quality control procedures, will provide you an effective service.

Therefore, read this entire user manual carefully before using the product and keep it as a reference. If you handover the product to someone else, give the user manual as well.

The user manual will help you use the product in a fast and safe way.

- Read the manual before installing and operating the product.
- Make sure you read the safety instructions.
- Keep the manual in an easily accessible place as you may need it later.
- Read the other documents given with the product.

Remember that this user manual is also applicable for several other models. Differences between models will be identified in the manual.

Explanation of symbols

Throughout this user manual the following symbols are used:

 Important information or useful tips.

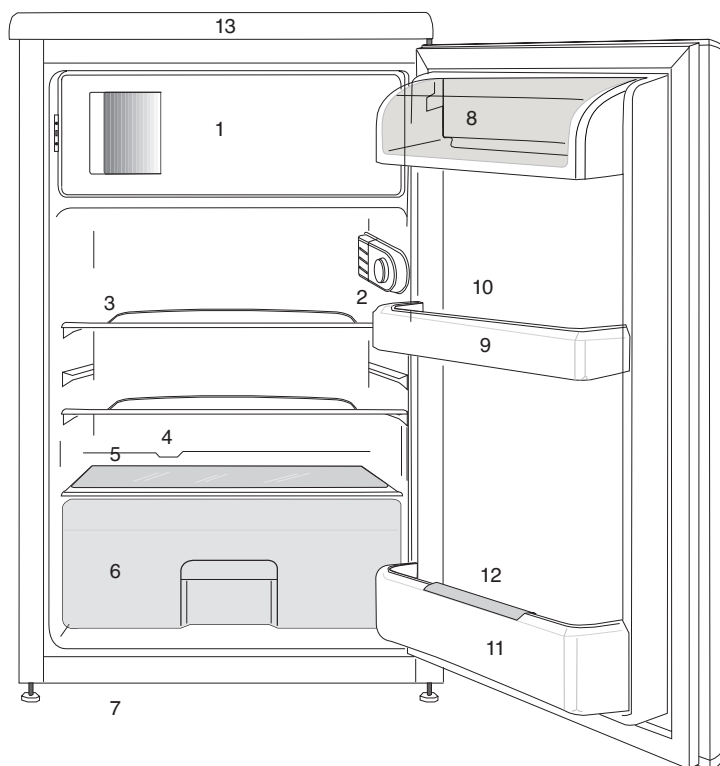
 Warning against dangerous conditions for life and property.

 Warning against electric voltage.

CONTENTS

1 Your cooler/freezer	3	4 Preparation	15
2 Important Safety Warnings	4	Reversing the doors	17
Intended use	4	5 Using your cooler/freezer	19
General safety	5	Freezing food	19
For products with a	9	Making ice cubes.....	20
water dispenser;.....	9	Defrosting of the appliance	20
Child safety	9	Cooling	21
Compliance with WEEE Directive and Disposing of the Waste Product:	9	Food storage	21
Package information	10	Defrosting of the appliance	21
HC warning.....	10	6 Maintenance and cleaning	22
Things to be done for energy saving	10	Protection of plastic surfaces	22
3 Installation	12	7 Troubleshooting	23
Points to be paid attention to when the relocation of the cooler/freezer	12		
Before you start the cooler/freezer,	12		
Electrical connection	12		
Disposing of the packaging.....	13		
Disposing of your old cooler/ freezer	13		
Placing and Installation.....	13		
Adjusting the legs	14		
Changing the illumination lamp	14		

1 Your cooler/freezer



1. a.) Freezing compartment & ice tray (for models) b.) Frozen food compartment & ice tray (for models)
2. Interior light & Thermostat knob
3. Movable shelves
4. Defrost water collection channel - Drain tube
5. Crisper cover
6. Crisper
7. Adjustable front feet
8. Dairy compartment
9. Door shelf
10. Egg tray
11. Bottle shelf
12. Bottle gripper
13. Top trim



Figures that take place in this instruction manual are schematic and may not correspond exactly with your product. If the subject parts are not included in the product you have purchased, then it is valid for other models.



2 Important Safety Warnings

Please review the following information. Failure to observe this information may cause injuries or material damage. Otherwise, all warranty and reliability commitments will become invalid.

Original spare parts will be provided for 10 years, following the product purchasing date.

Intended use

	<p>WARNING: Keep ventilation openings, in the appliance enclosure or in the built-in structure, clear of obstruction.</p>
	<p>WARNING: Do not use mechanical devices or other means to accelerate the defrosting process, other than those recommended by the manufacturer.</p>

	<p>WARNING: Do not damage the refrigerant circuit.</p>
	<p>WARNING: Do not use electrical appliances inside the food storage compartments of the appliance, unless they are of the type recommended by the manufacturer.</p>

This appliance is intended to be used in household and similar applications such as

- staff kitchen areas in shops, offices and other working environments;
- farm houses and by clients in hotels, motels and other residential type environments;
- bed and breakfast type environments;
- catering and similar non-retail applications.

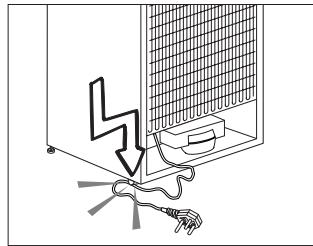
General safety

- When you want to dispose/scrap the product, we recommend you to consult the authorized service in order to learn the required information and authorized bodies.
 - Consult your authorized service for all your questions and problems related to the refrigerator. Do not intervene or let someone intervene to the refrigerator without notifying the authorised services.
 - For products with a freezer compartment; Do not eat cone ice cream and ice cubes immediately after you take them out of the freezer compartment! (This may cause frostbite in your mouth.)
 - For products with a freezer compartment; Do not put bottled and canned liquid beverages in the freezer compartment.
- Otherwise, these may burst.
- Do not touch frozen food by hand; they may stick to your hand.
 - Unplug your refrigerator before cleaning or defrosting.
 - Vapor and vaporized cleaning materials should never be used in cleaning and defrosting processes of your refrigerator. In such cases, the vapor may get in contact with the electrical parts and cause short circuit or electric shock.
 - Never use the parts on your refrigerator such as the door as a means of support or step.
 - Do not use electrical devices inside the refrigerator.
 - Do not damage the parts, where the refrigerant is circulating, with drilling or cutting tools. The refrigerant that might blow out when the gas channels

of the evaporator, pipe extensions or surface coatings are punctured causes skin irritations and eye injuries.

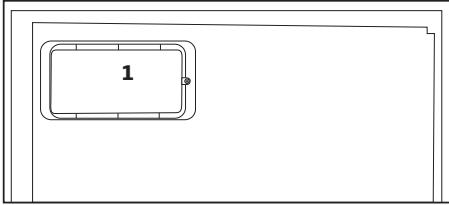
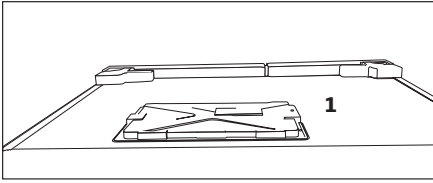
- Do not cover or block the ventilation holes on your refrigerator with any material.
- Electrical devices must be repaired by only authorised persons. Repairs performed by incompetent persons create a risk for the user.
- In case of any failure or during a maintenance or repair work, disconnect your refrigerator's mains supply by either turning off the relevant fuse or unplugging your appliance.
- Do not pull by the cable when pulling off the plug.
- Ensure highly alcoholic beverages are stored securely with the lid fastened and placed upright.
- Never store spray cans containing flammable and explosive substances in the refrigerator.
- Do not use mechanical devices or other means to accelerate the defrosting process, other than those recommended by the manufacturer.
- This product is not intended to be used by persons with physical, sensory or mental disorders or unlearned or inexperienced people (including children) unless they are attended by a person who will be responsible for their safety or who will instruct them accordingly for use of the product
- Do not operate a damaged refrigerator. Consult with the service agent if you have any concerns.
- Electrical safety of your refrigerator shall be guaranteed only if the earth system in your house complies with standards.

- Exposing the product to rain, snow, sun and wind is dangerous with respect to electrical safety.
- Contact authorized service when there is a power cable damage to avoid danger.
- Never plug the refrigerator into the wall outlet during installation. Otherwise, risk of death or serious injury may arise.
- This refrigerator is intended for only storing food items. It must not be used for any other purpose.
- Label of technical specifications is located on the left wall inside the refrigerator.
- Never connect your refrigerator to electricity-saving systems; they may damage the refrigerator.
- If there is a blue light on the refrigerator, do not look at the blue light with optical tools.
- For manually controlled refrigerators, wait for at least 5 minutes to start the refrigerator after power failure.
- This operation manual should be handed in to the new owner of the product when it is given to others.
- Avoid causing damage on power cable when transporting the refrigerator. Bending cable may cause fire. Never place heavy objects on power cable. Do not touch the plug with wet hands when plugging the product



- Do not plug the refrigerator if the wall outlet is loose.
- Water should not be sprayed on inner or outer parts of the product for safety purposes.

- Do not spray substances containing inflammable gases such as propane gas near the refrigerator to avoid fire and explosion risk.
 - Never place containers filled with water on top of the refrigerator; in the event of spillages, this may cause electric shock or fire.
 - Do not overload the refrigerator with food. If overloaded, the food items may fall down and hurt you and damage refrigerator when you open the door.
 - Never place objects on top of the refrigerator; otherwise, these objects may fall down when you open or close the refrigerator's door.
 - As they require a precise temperature, vaccines, heat-sensitive medicine and scientific materials and etc. should not be kept in the refrigerator.
 - If not to be used for a long time, refrigerator should be unplugged.
- A possible problem in power cable may cause fire.
- Refrigerator may move if adjustable legs are not properly secured on the floor. Properly securing adjustable legs on the floor can prevent the refrigerator to move.
 - When carrying the refrigerator, do not hold it from door handle. Otherwise, it may be snapped.
 - When you have to place your product next to another refrigerator or freezer, the distance between devices should be at least 8cm. Otherwise, adjacent side walls may be humidified.
 - The product shall never be used while the compartment which is located at the top or back of your product and in which electronic boards are available (electronic board box cover) (1) is open.



For products with a water dispenser;

- Pressure for cold water inlet shall be maximum 90 psi (6.2 bar). If your water pressure exceeds 80 psi (5.5 bar), use a pressure limiting valve in your mains system. If you do not know how to check your water pressure, ask for the help of a professional plumber.
- If there is risk of water hammer effect in your installation, always use a water hammer prevention equipment in your installation. Consult Professional

plumbers if you are not sure that there is no water hammer effect in your installation.

- Do not install on the hot water inlet. Take precautions against the risk of freezing of the hoses. Water temperature operating interval shall be 33°F (0.6°C) minimum and 100°F (38°C) maximum.
- Use only potable water.

Child safety

- If the door has a lock, the key should be kept away from reach of children.
- Children must be supervised to prevent them from tampering with the product.

Compliance with WEEE Directive and Disposing of the Waste Product:



This product complies with EU WEEE Directive (2012/19/EU). This product bears a classification symbol for waste electrical and electronic equipment

(WEEE).
EN

This product has been manufactured with high quality parts and materials which can be reused and are suitable for recycling. Therefore, do not dispose the product with normal domestic waste at the end of its service life. Take it to a collection point for the recycling of electrical and electronic equipment. Please consult your local authorities to learn the nearest collection point. Help protect the environment and natural resources by recycling used products. For children's safety, cut the power cable and break the locking mechanism of the door, if any, so that it will be non-functional before disposing of the product.

Package information

Packaging materials of the product are manufactured from recyclable materials in accordance with our National Environment Regulations. Do not dispose of the packaging materials together with the domestic or other wastes. Take them to the packaging material collection points designated by the local authorities.

Do not forget...

Any recycled substance is an indispensable matter for nature and our national asset wealth.

If you want to contribute to the re-evaluation of the packaging materials, you can consult to your environmentalist organizations or the municipalities where you are located.

HC warning

If your product's cooling system contains R600a:

This gas is flammable. Therefore, pay attention to not damaging the cooling system and piping during usage and transportation. In the event of damage, keep your product away from potential fire sources that can cause the product catch a fire and ventilate the room in which the unit is placed.

Ignore this warning if your product's cooling system contains R134a.

Type of gas used in the product is stated in the type label which is on the left wall inside the refrigerator.

Never throw the product in fire for disposal.

Things to be done for energy saving

- Do not leave the doors of your refrigerator open for a long time.
- Do not put hot food or drinks in your refrigerator.
- Do not overload your refrigerator so that the air circulation inside of it is not prevented.
- Do not install your refrigerator under direct sunlight or near heat emitting appliances such as ovens, dishwashers or radiators. Keep your refrigerator at least 30cm away from heat emitting sources and at least 5cm from electrical ovens.
- Pay attention to keep your food in closed containers.

- For products with a freezer compartment; You can store maximum amount of food items in the freezer when you remove the shelf or drawer of the freezer. Energy consumption value stated for your refrigerator has been determined by removing freezer shelf or drawer and under maximum load. There is no harm to use a shelf or drawer according to the shapes and size of food to be frozen.
- Thawing frozen food in fridge compartment will both provide energy saving and preserve the food quality.

3 Installation

⚠ The manufacturer will not be liable for any event caused by disregarding the information supplied in this user manual.

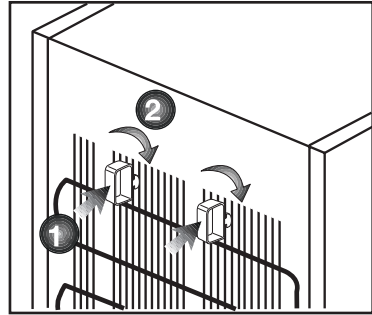
Points to be paid attention to when the relocation of the cooler/freezer

1. Your cooler/freezer should be unplugged. Before transportation of your cooler/freezer, it should be emptied and cleaned.
2. Before it is re-packaged, shelves, accessories, crisper, etc. inside your cooler/freezer should be fixed with adhesive tape and secured against impacts. Package should be bound with a thick tape and the transportation rules on the package should be strictly observed.
3. Original packaging and foam materials should be kept for future transportations or moving.

Before you start the cooler/freezer,

Check the following before you start to use your cooler/freezer:

1. Attach 2 plastic wedges as illustrated below. Plastic wedges are intended to keep the distance which will ensure the air circulation between your cooler/freezer and the wall. (The picture is drawn up as a representation and it is not identical with your product.)
2. Clean the interior of the cooler/freezer as recommended in the "Maintenance and cleaning" section.



3. Connect the plug of the cooler/freezer to the wall socket. When the fridge door is opened, fridge internal lamp will turn on.
4. When the compressor starts to operate, a sound will be heard. The liquid and gases sealed within the refrigeration system may also give rise to noise, even if the compressor is not running and this is quite normal.
5. Front edges of the cooler/freezer may feel warm. This is normal. These areas are designed to be warm to avoid condensation.

Electrical connection

Connect your product to a grounded socket which is being protected by a fuse with the appropriate capacity. Important:

The connection must be in compliance with national regulations.

- The power plug must be easily accessible after installation.
- Electrical safety of your cooler/freezer shall be guaranteed only if the earth system in your house complies with standards.

- The voltage stated on the label located at left inner side of your product should be equal to your network voltage.
- **Extension cables and multi plugs must not be used for connection.**

- ⚠ A damaged power cable must be replaced by a qualified electrician.
- ⚠ Faulty product must not be operated before it is repaired! There is the risk of electric shock!

Disposing of the packaging

The packing materials may be dangerous for children. Keep the packing materials out of the reach of children or dispose of them by classifying them in accordance with the waste instructions stated by your local authorities. Do not throw away with regular house waste, throw away on packaging pick up spots designated by the local authorities.

The packing of your cooler/freezer is produced from recyclable materials.

Disposing of your old cooler/freezer

Dispose of your old cooler/freezer without giving any harm to the environment.

- You may consult your authorized dealer or waste collection center of your municipality about the disposal of your cooler/freezer.

Before disposing of your cooler/freezer, cut out the electric plug and, if there are any locks on the door, make them inoperable in order to protect children against any danger.

Placing and Installation

⚠ If the entrance door of the room where the cooler/freezer will be installed is not wide enough for the cooler/freezer to pass through, then carefully remove the doors of your cooler/freezer and pass it sideways through the door.

1. Install your cooler/freezer to a place that allows ease of use.
2. Keep your cooler/freezer away from heat sources, humid places and direct sunlight.
3. There must be appropriate air ventilation around your cooler/freezer in order to achieve an efficient operation. If the cooler/freezer is to be placed in a recess in the wall, there must be at least 5 cm distance with the ceiling and at least 5 cm with the wall. Do not place your product on the materials such as rug or carpet.
4. Place your cooler/freezer on an even floor surface to prevent jolts.

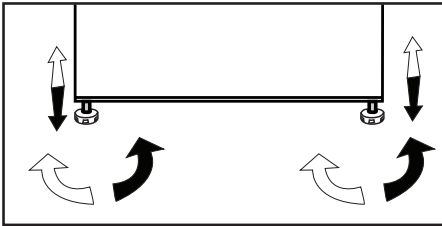
WARNING:

Do not locate extension sockets or charging transformers/power supplies or Lithium-Iron battery operated products adjacent to the compressor as they could overheat.

Adjusting the legs

If your refrigerator is unbalanced;

You can balance your refrigerator by turning its front legs as illustrated in the figure. The corner where the leg exists is lowered when you turn in the direction of black arrow and raised when you turn in the opposite direction. Taking help from someone to slightly lift the refrigerator will facilitate this process.



Changing the illumination lamp

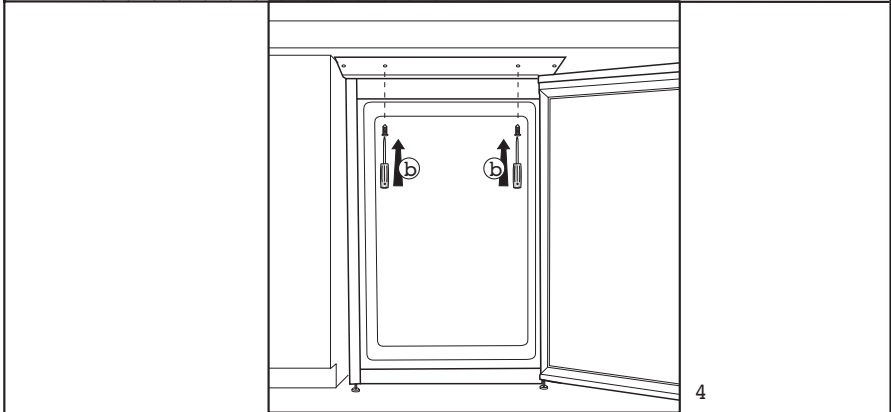
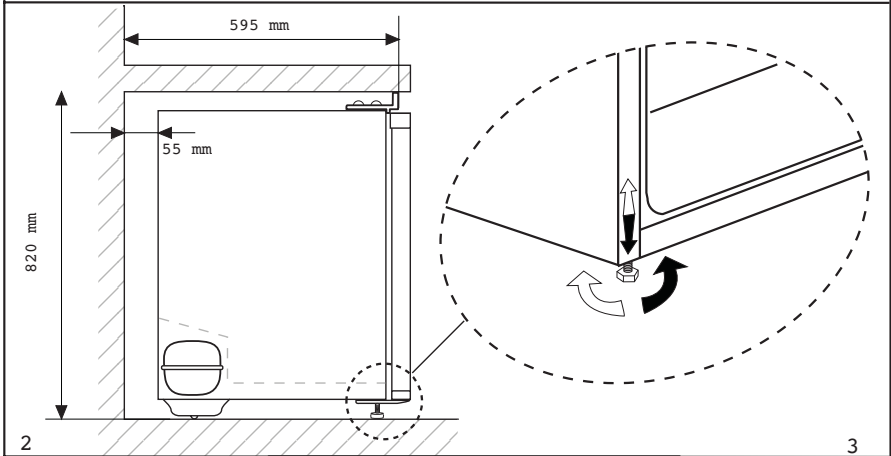
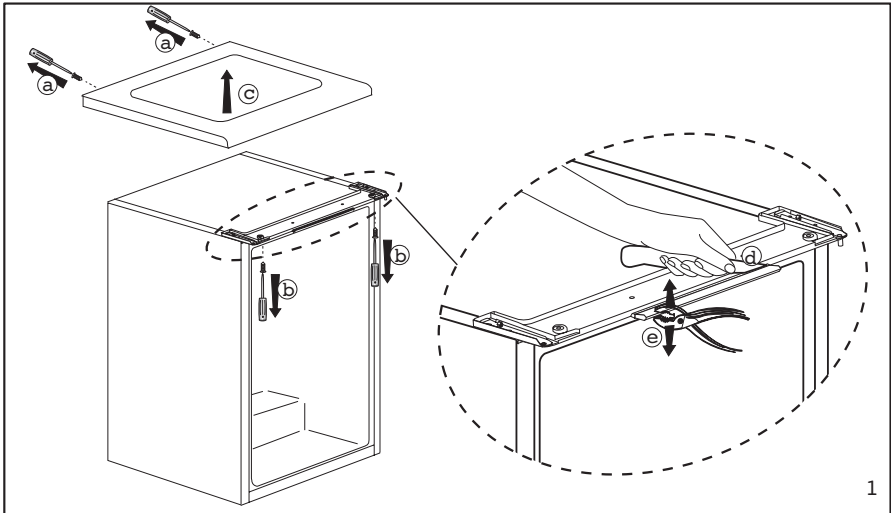
To change the Bulb/LED used for illumination of your refrigerator, call your AuthorisedService.

The lamp(s) used in this appliance is not suitable for household room illumination. The intended purpose of this lamp is to assist the user to place foodstuffs in the refrigerator/freezer in a safe and comfortable way. The lamps used in this appliance have to withstand extreme physical conditions such as temperatures below -20°C .

(only chest and upright freezer)

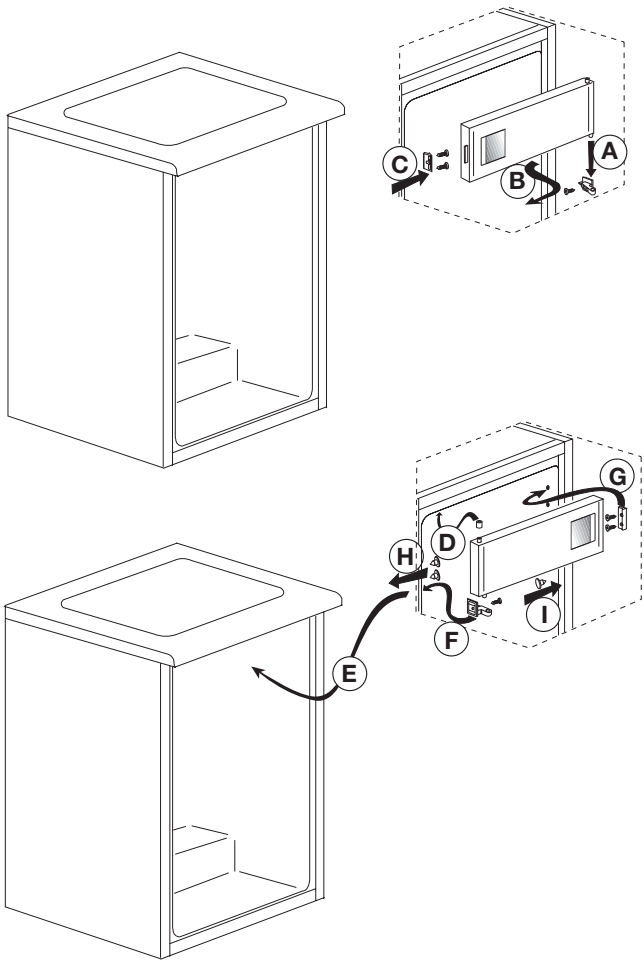
4 Preparation

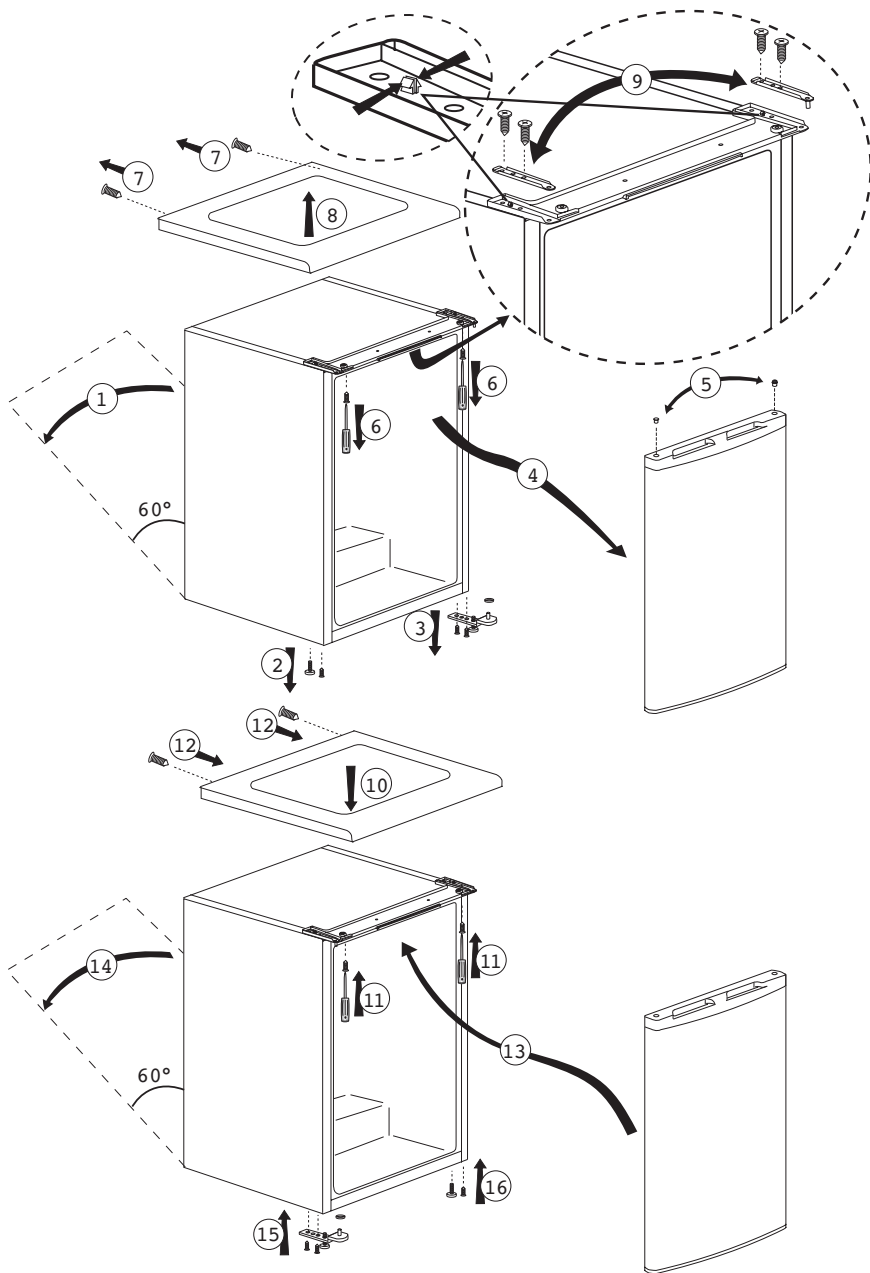
- Your refrigerator should be installed at least 30 cm away from heat sources such as hobs, ovens, central heater and stoves and at least 5 cm away from electrical ovens and should not be located under direct sunlight.
- The ambient temperature of the room where you install your refrigerator should at least be 10°C. Operating your refrigerator under cooler conditions is not recommended with regard to its efficiency.
- Please make sure that the interior of your refrigerator is cleaned thoroughly.
- If two refrigerators are to be installed side by side, there should be at least 2 cm distance between them.
- When you operate your refrigerator for the first time, please observe the following instructions during the initial six hours.
- The door should not be opened frequently.
- It must be operated empty without any food in it.
- Do not unplug your refrigerator. If a power failure occurs out of your control, please see the warnings in the "Recommended solutions for the problems" section.
- Original packaging and foam materials should be kept for future transportations or moving.
- The baskets/drawers that are provided with the chill compartment must always be in use for low energy consumption and for better storage conditions.
- Food contact with the temperature sensor in the freezer compartment may increase energy consumption of the appliance. Thus any contact with the sensor(s) must be avoided.
- In some models, the instrument panel automatically turns off 5 minutes after the door has closed. It will be reactivated when the door has opened or pressed on any key.
- Due to temperature change as a result of opening/closing the product door during operation, condensation on the door/body shelves and the glass containers is normal



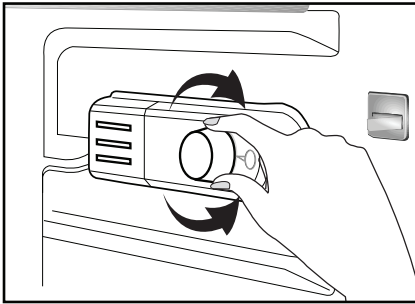
Reversing the doors

Proceed in numerical order

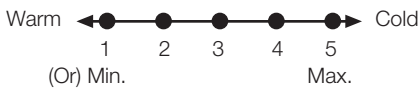




5 Using your cooler/freezer



The operating temperature is regulated by the temperature control.



1 = Lowest cooling setting

(Warmest setting)

5 = Highest cooling setting

(Coldest setting)

(Or)

Min. = Lowest cooling setting

(Warmest setting)

Max. = Highest cooling setting

(Coldest setting)

The average temperature inside the fridge should be around +4°C.

Recommended thermostat knob position is 4 .It's recommended 1 at cold ambient conditions such as 10 °C.

Please choose the setting according to the desired temperature.

You can stop operation of your appliance by turning the thermostat knob to "0" position.

Please note that there will be different temperatures in the cooling area.

The coldest region is immediately above the vegetable compartment on crisper cover.

The interior temperature also depends on ambient temperature, the frequency with which the door is opened and the amount of food kept inside.

Frequently opening the door causes the interior temperature to rise.

For this reason, it is recommended to close the door again as soon as possible after use.

Freezing food

The freezing compartment is marked with  this symbol.

You can use the appliance for freezing fresh food as well as for storing pre-frozen food.

Please refer to the recommendations given on the packaging of your food.

• Attention

Do not freeze fizzy drinks, as the bottle may burst when the liquid in it is frozen.

Be careful with frozen products such as coloured ice-cubes.

In order to maintain the quality of the food, the freezing must be effected as rapidly as possible.

• Attention

Keep the already deep-frozen food always separated with freshly placed food.

When deep-freezing hot food, the cooling compressor will work until the food is completely frozen. This can temporarily cause excessive cooling of the refrigeration compartment.

If you find the freezer door difficult to open just after you have closed it, don't worry. This is due to the pressure difference which will equalize and allow the door to open normally after a few minutes.

You will hear a vacuum sound just after closing the door. This is quite normal.

Making ice cubes

Fill the ice-cube tray 3/4 full with water and place it in the freezer.

As soon as the water has turned into ice, you can take out the ice cubes.

Never use sharp objects such as knives or forks to remove the ice cubes. There is a risk of injury!

Let the ice cubes slightly thaw instead, or put the bottom of the tray in hot water for a short moment.

Defrosting of the appliance

Excessive build-up of ice will affect the freezing performance of your device.



It is therefore recommended that you defrost your appliance at least twice a year, or whenever the ice build-up exceeds 7 mm.

Defrost your device when there is only little or no food in it.

Take out the deep-frozen food. Wrap the deep-frozen food in several layers of paper, or a blanket, and keep it in a cold place.

Unplug the appliance or switch off the circuit breaker to start the defrosting process.

Take out the accessories (like shelf, drawer etc.) from the appliance and use a suitable container to collect the thawing water.

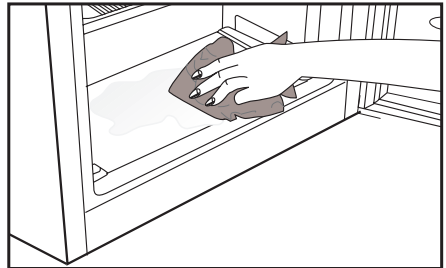
Use a sponge or a soft cloth to remove thawing water if necessary at the freezing compartment  and frozen food compartment .

Keep the door open during defrosting.

For quicker defrosting, place containers with warm water inside the appliance.

Never use electrical devices, defrosting sprays or pointed or sharp-edged objects such as knives or forks to remove the ice.

After the defrosting is done, clean interior walls of the compartment.



Reconnect the appliance to the mains. Place the frozen food into the drawers and slide the drawers into the freezer.

Cooling

Food storage

The fridge compartment is for the short-term storage of fresh food and drinks.

Store milk products in the intended compartment in the cooler/freezer.

Bottles can be stored in the bottle holder or in the bottle shelf of the door.

Raw meat is best kept in a polyethylene bag in the compartment at the very bottom of the cooler/freezer.

Allow hot food and beverages to cool to room temperature prior to placing them in the cooler/freezer.

• Attention

Store concentrated alcohol in a container only standing upright and tightly closed.

• Attention

Do not store explosive substances or containers with flammable propellant gases (canned cream, spray cans etc.) in the appliance.

There is a danger of explosion.

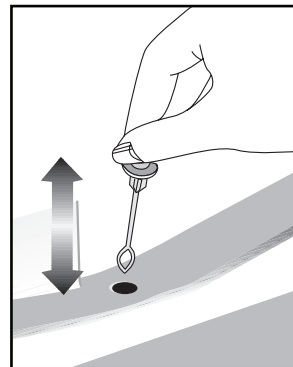
Defrosting of the appliance

The fridge compartment defrosts automatically. The thawing water flows through the drain channel into a collection container at the back of the appliance.

During defrosting, water droplets form at the back wall of the fridge due to the evaporation.

If not all of the drops run down, they may freeze again after defrosting completes. Remove them with a soft cloth dampened with warm water. Do not use hard or sharp objects.

Check the flow of the thawed water from time to time. It may become blocked occasionally. Clean it with a pipe-cleaner or similar implement as shown below.



6 Maintenance and cleaning

- ⚠ Never use gasoline, benzene or similar substances for cleaning purposes.
- ⚠ We recommend that you unplug the appliance before cleaning.
- ⚠ Never use any sharp abrasive instrument, soap, household cleaner, detergent and wax polish for cleaning.
- ⚠ For non-No Frost products, water drops and frosting up to a fingerbreadth occur on the rear wall of the Fridge compartment. Do not clean it; never apply oil or similar agents on it.
- ⚠ Only use slightly damp microfiber cloths to clean the outer surface of the product. Sponges and other types of cleaning cloths may scratch the surface.
- ℹ Use lukewarm water to clean the cabinet of your refrigerator and wipe it dry.
- ℹ Use a damp cloth wrung out in a solution of one teaspoon of bicarbonate of soda to one pint of water to clean the interior and wipe it dry.
- ⚠ Make sure that no water enters the lamp housing and other electrical items.
- ⚠ If your refrigerator is not going to be used for a long period of time, unplug the power cable, remove all food, clean it and leave the door ajar.
- ℹ Check door seals regularly to ensure they are clean and free from food particles.
- ⚠ To remove door racks, remove all the contents and then simply push the door rack upwards from the base.
- ⚠ Never use cleaning agents or water that contain chlorine to clean the outer surfaces and chromium coated parts of the product. Chlorine causes corrosion on such metal surfaces.
- ⚠ Do not use sharp, abrasive tools, soap, household cleaning agents, detergents, kerosene, fuel oil, varnish etc. to prevent removal and deformation of the prints on the plastic part. Use lukewarm water and a soft cloth for cleaning and then wipe it dry.

Protection of plastic surfaces

- ℹ Do not put the liquid oils or oil-cooked meals in your refrigerator in unsealed containers as they damage the plastic surfaces of your refrigerator. In case of spilling or smearing oil on the plastic surfaces, clean and rinse the relevant part of the surface at once with warm water.

7 Troubleshooting

lease review this list before calling the service. It will save your time and money. This list includes frequent complaints that are not arising from defective workmanship or material usage. Some of the features described here may not exist in your product.

The refrigerator does not operate.

- The plug is not inserted into the socket correctly. >>> Insert the plug into the socket securely.
- The fuse of the socket which your refrigerator is connected to or the main fuse have blown out. >>> Check the fuse.

Condensation on the side wall of the fridge compartment (MULTIZONE, COOL CONTROL and FLEXI ZONE).

- Door has been opened frequently. >>> Do not open and close the door of refrigerator frequently.
- Ambient is very humid. >>> Do not install your refrigerator into highly humid places.
- Food containing liquid is stored in open containers. >>> Do not store food with liquid content in open containers.
- Door of the refrigerator is left ajar. >>> Close the door of the refrigerator.
- Thermostat is set to a very cold level. >>> Set the thermostat to a suitable level.

Compressor is not running

- Protective thermic of the compressor will blow out during sudden power failures or plug-out plug-ins as the refrigerant pressure in the cooling system of the refrigerator has not been balanced yet. The refrigerator will start running approximately after 6 minutes. Please call the service if the refrigerator does not startup at the end of this period.
- The fridge is in defrost cycle. >>> This is normal for a full-automatically defrosting refrigerator. Defrosting cycle occurs periodically.
- The refrigerator is not plugged into the socket. >>> Make sure that the plug is fit into the socket.
- Temperature settings are not made correctly. >>> Select the suitable temperature value.
- There is a power outage. >>> Refrigerator returns to normal operation when the power restores.

The operation noise increases when the refrigerator is running.

- The operating performance of the refrigerator may change due to the changes in the ambient temperature. It is normal and not a fault.

The refrigerator is running frequently or for a long time.

- New product may be wider than the previous one. Larger refrigerators operate for a longer period of time.
- The room temperature may be high. >>>It is normal that the product operates for longer periods in hot ambient.
- The refrigerator might be plugged in recently or might be loaded with food. >>>When the refrigerator is plugged in or loaded with food recently, it will take longer for it to attain the set temperature. This is normal.
- Large amounts of hot food might be put in the refrigerator recently. >>>Do not put hot food into the refrigerator.
- Doors might be opened frequently or left ajar for a long time. >>>The warm air that has entered into the refrigerator causes the refrigerator to run for longer periods. Do not open the doors frequently.
- Freezer or fridge compartment door might be left ajar. >>>Check if the doors are closed completely.
- The refrigerator is adjusted to a very low temperature. >>>Adjust the refrigerator temperature to a warmer degree and wait until the temperature is achieved.
- Door seal of the fridge or freezer may be soiled, worn out, broken or not properly seated. >>>Clean or replace the seal. Damaged/broken seal causes the refrigerator to run for a longer period of time in order to maintain the current temperature.

Freezer temperature is very low while the fridge temperature is sufficient.

- The freezer temperature is adjusted to a very low value. >>>Adjust the freezer temperature to a warmer degree and check.

Fridge temperature is very low while the freezer temperature is sufficient.

- The fridge temperature is adjusted to a very low value. >>>Adjust the fridge temperature to a warmer degree and check.

Food kept in the fridge compartment drawers is frozen.

- The fridge temperature is adjusted to a very high value. >>>Adjust the fridge temperature to a lower value and check.

Temperature in the fridge or freezer is very high.

- The fridge temperature is adjusted to a very high value.
> > > Fridge compartment temperature setting has an effect on the temperature of the freezer. Change the temperatures of the fridge or freezer and wait until the relevant compartments attain a sufficient temperature.
- Doors are opened frequently or left ajar for a long time. > > > Do not open the doors frequently.
- Door is ajar. > > > Close the door completely.
- The refrigerator is plugged in or loaded with food recently.
> > > This is normal. When the refrigerator is plugged in or loaded with food recently, it will take longer for it to attain the set temperature.
- Large amounts of hot food might be put in the refrigerator recently.
> > > Do not put hot food into the refrigerator.

Vibrations or noise.

- The floor is not level or stable.
> > > If the refrigerator rocks when moved slowly, balance it by adjusting its feet. Also make sure that the floor is strong enough to carry the refrigerator, and level.
- The items put onto the refrigerator may cause noise.
> > > Remove the items on top of the refrigerator.

There are noises coming from the refrigerator like liquid flowing, spraying, etc.

- Liquid and gas flows occur in accordance with the operating principles of your refrigerator. It is normal and not a fault.

Whistle comes from the refrigerator.

- Fans are used in order to cool the refrigerator. It is normal and not a fault.

Condensation on the inner walls of refrigerator.

- Hot and humid weather increases icing and condensation. It is normal and not a fault.
- Doors are opened frequently or left ajar for a long time. > > > Do not open the doors frequently. Close them if they are open.
- Door is ajar. > > > Close the door completely.

Humidity occurs on the outside of the refrigerator or between the doors.

- There might be humidity in the air; this is quite normal in humid weather. When the humidity is less, condensation will disappear.

Bad odour inside the refrigerator.

- No regular cleaning is performed.
>>>Clean the inside of the refrigerator regularly with a sponge, lukewarm water or carbonate dissolved in water.
- Some containers or package materials may cause the smell.
>>>Use a different container or different brand packaging material.
- Food is put into the refrigerator in uncovered containers. >>>Keep the food in closed containers. Microorganisms spreading out from uncovered containers can cause unpleasant odours.
- Remove the foods that have expired best before dates and spoiled from the refrigerator.

- High temperatures may be observed between the two doors, on the side panels and at the rear grill while the product is operating. This is normal and does not require service maintenance!

The door is not closing.

- Food packages are preventing the door from closing.
>>>Replace the packages that are obstructing the door.
- The refrigerator is not completely even on the floor. >>>Adjust the feet to balance the refrigerator.
- The floor is not level or strong.
>>>Make sure that the floor is level and capable to carry the refrigerator.

Crispers are stuck.

- The food is touching the ceiling of the drawer. >>>Rearrange food in the drawer.

If The Surface Of The Product Is Hot.

Veillez commencer par lire ce manuel d'utilisation!

Cher client,

Nous espérons que votre produit, qui a été fabriqué dans des usines modernes et vérifié au terme des procédures de contrôle de qualité les plus méticuleuses, vous donnera entière satisfaction.

Veillez donc lire attentivement l'intégralité de ce manuel avant de commencer à utiliser le produit et conservez-le manuel comme référence. Si vous remettez cet appareil à quelqu'un d'autre, remettez-lui également le manuel d'utilisation.

Ce manuel vous aidera à utiliser votre produit en toute sécurité et efficacement.

- Lisez le manuel avant d'installer et de faire fonctionner votre produit.
- Veillez à lire les instructions de sécurité.
- Laissez ce manuel dans un endroit facile d'accès car vous pourriez en avoir besoin ultérieurement.
- Lisez également la documentation fournie avec le produit.

N'oubliez pas que le manuel d'utilisation est également valable pour plusieurs autres modèles. Les différences entre les différents modèles seront identifiées dans le manuel.

Explication des symboles

Les symboles ci-dessous sont utilisés dans le manuel d'utilisation:

 Informations importantes ou astuces.

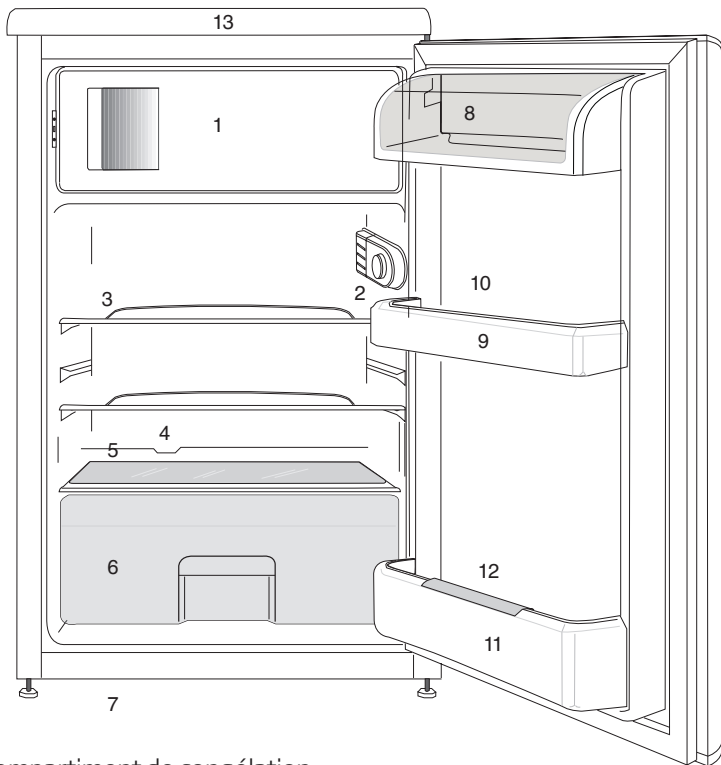
 Avertissement relatif aux situations dangereuses pour la vie et la propriété.

 Avertissement relatif à la tension électrique.

TABLE DES MATIÈRES

1 Votre réfrigérateur	4	5 Utilisation de votre réfrigérateur	20
2 Précautions de sécurité importantes	5	Congélation.....	20
Sécurité générale.....	6	Congeler les denrées.....	20
Pour les appareils dotés d'une fontaine à eau.....	9	Fabrication de glaçons.....	21
Sécurité enfants.....	9	Conservation des denrées surgelées.....	21
Conformité avec la réglementation DEEE et mise au rebut des déchets... 9		Dégivrage de l'appareil.....	21
Informations relatives à l'emballage	10	Réfrigération.....	22
Avertissement HC.....	10	Conservation des denrées.....	22
Mesures d'économie d'énergie.....	10	• Attention.....	22
		• Attention.....	22
3 Installation	12	Dégivrage de l'appareil.....	22
Éléments à prendre en considération lors du déplacement de votre réfrigérateur.....	12	6 Entretien et nettoyage	23
Avant de mettre votre réfrigérateur en marche.....	12	Protection des surfaces en plastique.	
Branchement électrique.....	13	7 Solutions recommandées aux problèmes	24
Mise au rebut de l'emballage.....	13		
Mise au rebut de votre ancien réfrigérateur.....	13		
Disposition et Installation.....	14		
Réglage des pieds.....	15		
Remplacement de l'ampoule.....	15		
4 Préparation	16		
Réversibilité des portes.....	17		

1 Votre réfrigérateur



1. a.) Compartiment de congélation & bac à glaçons (pour les modèles)b.) Compartiment pour denrées congelées & bac à glaçons (pour les modèles (**))
2. Éclairage intérieur & commande du thermostat
3. Tablettes mobiles
4. Voie de récupération de l'eau de dégivrage - Tube d'écoulement
5. Couvercle du bac à légumes
6. Bac à légumes
7. Pieds avant réglables
8. Sections pour Beurre et Fromages
9. Balconnets de porte
10. Casier à oeufs
11. Clayette range-bouteilles
12. Préhenseur
13. Garniture supérieure

ⓘ Les illustrations présentées dans cette notice d'utilisation sont schématiques et peuvent ne pas correspondre exactement à votre produit. Si des pièces présentées ne sont pas comprises dans le produit que vous avez acheté, elles sont valables pour d'autres modèles.


2 Précautions de sécurité importantes



Veillez examiner les informations suivantes :

Cet appareil peut être utilisé par des enfants âgés d'au moins 8 ans et par des personnes ayant des capacités physiques, sensorielles ou mentales réduites ou dénuées d'expérience ou de connaissance, s'ils (si elles) sont correctement surveillé(e)s ou si des instructions relatives à l'utilisation de l'appareil en toute sécurité leur ont été données et si les risques encourus ont été appréhendés. Les enfants ne doivent pas jouer avec l'appareil. Le nettoyage et l'entretien par l'utilisateur ne doivent pas être effectués par des enfants sans surveillance.

Le non-respect de ces consignes peut entraîner des blessures ou dommages matériels. Sinon, tout engagement lié à la garantie et à la fiabilité du produit devient invalide.

Les pièces détachées d'origine sont disponibles pendant 10 ans, à compter de la date d'achat du produit.

	<p>REMARQUE : Assurez-vous que les trous d'aération ne sont pas fermés quand le dispositif est dans son boîtier ou est installé à sa place.</p>
--	--

	<p>REMARQUE: Ne pas utiliser tout dispositif mécanique ou un autre dispositif hors des recommandations du fabricant pour accélérer le processus de décongeler.</p>
	<p>REMARQUE: Ne pas endommager le circuit de fluide du réfrigérateur.</p>
	<p>REMARQUE: Ne pas utiliser des appareils électriques non prévus par le fabricant dans les compartiments de conservation des aliments.</p>
	<p>AVERTISSEMENT: Ne conservez pas de substances explosives comme des aérosols avec un liquide inflammable dans cet appareil.</p>

Ce dispositif est conçu pour l'usage domestique ou les applications similaires suivantes :

- Pour être utilisé dans la cuisine de personnel dans les magasins, bureaux et autres environnements de travail ;
- Pour être utilisé par les clients dans les maisons de campagne et hôtels et les autres environnements d'hébergement ;
- Dans des

environnements de type de pension de famille

- Dans des applications similaires n'ayant pas de service alimentaire et non détaillants

Sécurité générale

- Si le cordon d'alimentation est endommagé, celui-ci doit être remplacé par le fabricant, ses agents agréés ou tout autre agent qualifié afin d'être à l'abri de tout danger.
- Avant de vous débarrasser de votre appareil, veuillez consulter les autorités locales ou votre revendeur pour connaître le mode opératoire et les organismes de collecte agréés.
- Consultez le service après-vente agréé concernant toutes questions ou problèmes relatifs au réfrigérateur. N'intervenez pas ou ne laissez personne intervenir sur le réfrigérateur sans le communiquer au service après-vente agréé.
- Pour les produits équipés d'un compartiment congélateur : ne mangez pas de cônes de crème glacée ou des glaçons immédiatement après les avoir sortis du compartiment de congélation ! (Cela pourrait provoquer des engelures).
- Pour les produits équipés d'un compartiment congélateur : ne placez pas de boissons en bouteille ou en cannette dans le compartiment de congélation. Cela peut entraîner leur éclatement.
- Ne touchez pas des produits congelés avec les mains, ils pourraient se coller à celles-ci.
- Débranchez votre réfrigérateur avant de le nettoyer ou de le dégivrer.
- La vapeur et des matériaux de nettoyage pulvérisés ne doivent jamais être utilisés pour les processus de nettoyage ou de dégivrage de votre réfrigérateur. La vapeur pourrait pénétrer dans les pièces électriques et provoquer des courts-circuits ou des électrocutions.
- Ne jamais utiliser les pièces de votre réfrigérateur telles que la porte, comme un support ou une marche.
- N'utilisez pas d'appareils électriques à l'intérieur du réfrigérateur.
- N'endommagez pas les pièces où circule le liquide réfrigérant avec des outils de forage ou coupants. Le liquide réfrigérant qui pourrait s'échapper si les canalisations de gaz de l'évaporateur, les rallonges de tuyau ou les revêtements de surface étaient percés, cela pourrait irriter la peau et provoquer des blessures aux yeux.
- Ne pas couvrir ou obstruer les orifices de ventilation du réfrigérateur.
- Les appareils électriques peuvent être réparés

seulement par des personnes autorisées. Les réparations réalisées par des personnes ne présentant pas les compétences requises peuvent présenter un risque pour l'utilisateur.

- En cas de dysfonctionnement ou lors d'opérations d'entretien ou de réparation, débranchez l'alimentation électrique du réfrigérateur soit en désactivant le fusible correspondant, soit en débranchant l'appareil.
- Assurez-vous que les boissons comportant un taux d'alcool très élevé sont conservées en sécurité avec leur couvercle fixé et placées en position verticale.
- Placez les boissons alcoolisées verticalement, dans des récipients convenablement fermés.
- Ne conservez jamais des aérosols contenant des substances inflammables et explosives dans le réfrigérateur.
- N'utilisez pas d'outils mécaniques ou autres dispositifs pour accélérer le processus de décongélation autres que ceux qui sont recommandés par le fabricant.
- Ce produit n'est pas conçu pour être utilisé par des personnes (enfants compris) souffrant de déficience physique, sensorielle, mentale, ou inexpérimentées, à moins d'avoir obtenu une

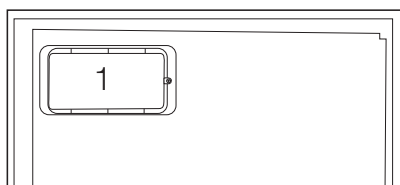
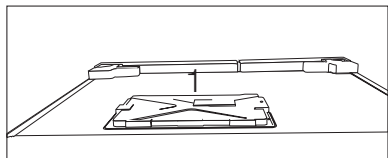
autorisation auprès des personnes responsables de leur sécurité.

- Ne faites pas fonctionner un réfrigérateur endommagé. Consultez le service agréé en cas de problème.
- La sécurité électrique du réfrigérateur n'est assurée que si le système de mise à la terre de votre domicile est conforme aux normes en vigueur.
- L'exposition du produit à la pluie, la neige, au soleil ou au vent présente des risques concernant la sécurité électrique.
- Contactez le service agréé quand un câble d'alimentation est endommagé pour éviter tout danger.
- Ne branchez jamais le réfrigérateur à la prise murale au cours de l'installation. Vous vous exposeriez à un risque de mort ou à de blessures graves.
- Ce réfrigérateur est conçu seulement pour conserver des aliments. Par conséquent, il ne doit pas être utilisé à d'autres fins.
- L'étiquette avec les caractéristiques techniques est située sur la paroi gauche à l'intérieur du réfrigérateur.
- Ne branchez jamais votre réfrigérateur à des systèmes d'économie d'énergie, cela peut l'endommager.
- S'il y a une lumière bleue sur le réfrigérateur, ne la regardez ni avec vos yeux nus, ni avec

des outils optiques pendant longtemps.

- Pour les réfrigérateurs contrôlés manuellement, attendez au moins 5 minutes pour allumer le réfrigérateur après une coupure de courant.
- Si cet appareil venait à changer de propriétaire, n'oubliez pas de remettre la présente notice d'utilisation au nouveau bénéficiaire.
- Évitez d'endommager le câble d'alimentation quand vous transportez le réfrigérateur. Tordre le câble peut entraîner un incendie. Ne placez jamais d'objets lourds sur le câble d'alimentation.
- Évitez de toucher à la prise avec des mains mouillées au moment de brancher l'appareil.
- Évitez de brancher le réfrigérateur lorsque la prise de courant électrique a lâché.
- Pour des raisons de sécurité, évitez de pulvériser directement de l'eau sur les parties externes et internes du réfrigérateur.
- Ne pulvérisez pas de substances contenant des gaz inflammables comme du propane près du réfrigérateur pour éviter tout risque d'incendie et d'explosion.
- Ne placez jamais de récipients contenant de l'eau sur votre réfrigérateur, ils pourraient causer des chocs électriques ou un incendie.
- Évitez de surcharger le réfrigérateur avec une quantité excessive d'aliments. S'il est surchargé, les aliments peuvent tomber, vous blesser et endommager le réfrigérateur quand vous ouvrez la porte.
- Ne placez jamais d'objets au-dessus du réfrigérateur, ils pourraient tomber quand vous ouvrez ou fermez la porte du réfrigérateur.
- Les produits qui nécessitent un contrôle de température précis (vaccin, médicament sensible à la chaleur, matériels scientifiques, etc.) ne doivent pas être conservés dans le réfrigérateur.
- Si le réfrigérateur n'est pas utilisé pendant longtemps, il doit être débranché. Un problème avec le câble d'alimentation pourrait causer un incendie.
- Le réfrigérateur peut bouger si ses pieds réglables ne sont pas bien fixés sur le sol. Bien fixer les pieds réglables sur le sol peut empêcher le réfrigérateur de bouger.
- Quand vous transportez le réfrigérateur, ne le tenez pas par la poignée de la porte. Cela peut le casser.
- Quand vous devez placer votre produit près d'un autre réfrigérateur ou congélateur, la distance entre les appareils doit être d'au moins 8 cm. Sinon, les murs adjacents peuvent être humidifiés.

- Ne jamais utiliser le produit si la section située dans sa partie supérieure ou inférieure avec cartes de circuits imprimés électroniques à l'intérieur est ouverte (couvercle de cartes de circuits imprimés électroniques) (1).



Pour les appareils dotés d'une fontaine à eau

- La pression de l'eau froide à l'entrée ne doit pas excéder 90 psi (620 kPa). Si votre pression d'eau dépasse 80 psi (550 kPa), utilisez une soupape de limitation de pression sur votre réseau de conduite. Si vous ne savez pas comment vérifiez la pression de l'eau, demandez l'assistance d'un plombier professionnel.
- S'il existe un risque d'effet coup de bélier sur votre installation, utilisez systématiquement un équipement de protection contre l'effet coup de bélier sur celle-ci. Consultez des plombiers professionnels si vous n'êtes pas sûr de la présence de cet effet sur votre installation.

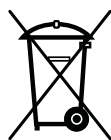
- Ne l'installez pas sur l'entrée d'eau chaude. Prenez des précautions contre le risque de congélation des tuyaux. L'intervalle de fonctionnement de la température des eaux doit être de 33 F (0,6°C) au moins et de 100 F (38 C) au plus.
- Utilisez uniquement de l'eau potable.

Sécurité enfants

- Si la porte a un verrouillage, la clé doit rester hors de portée des enfants.
- Les enfants doivent être surveillés et empêchés de s'amuser avec le produit.

Conformité avec la réglementation DEEE et mise au rebut des déchets

Ce produit ne contient pas de matériaux dangereux et interdits décrits dans la « Règlementation sur le contrôle des déchets d'équipements électriques et électroniques » publié par le Ministère de l'Environnement et de l'Urbanisme. Conforme avec la réglementation DEEE.



Le présent produit a été fabriqué avec des pièces et du matériel de qualité supérieure susceptibles d'être réutilisés et adaptés au recyclage. Par conséquent, nous vous conseillons de ne pas le mettre au rebut aux côtés des ordures ménagères à la fin de sa durée de vie. Au contraire, rendez-vous dans un point de collecte pour le recyclage de

tout matériel électrique et électronique. Veuillez vous rapprocher des autorités de votre localité pour plus d'informations concernant le point de collecte le plus proche. Aidez-nous à protéger l'environnement et les ressources naturelles en recyclant les produits usagés. Pour la sécurité des enfants, coupez le câble d'alimentation et le mécanisme de verrouillage de la porte, le cas échéant. Ce faisant, vous rendez l'appareil inopérant avant sa mise au rebut.

Informations relatives à l'emballage

Les matériaux d'emballage de cet appareil sont fabriqués à partir de matériaux recyclables, conformément à nos Réglementations Nationales en Environnement. Ne mélangez pas les matériaux d'emballage avec les déchets domestiques ou d'autres déchets. Amenez-les aux points de collecte des matériaux d'emballage, désignés par les autorités locales.

N'oubliez pas...

Pour la préservation de la nature et de notre santé, il est indispensable de recycler les matières.

Si vous voulez contribuer au recyclage des matériaux d'emballage, vous pouvez vous renseigner auprès d'organisations environnementales ou de l'autorité locale proche de votre domicile.

Avertissement HC

Si le système de refroidissement de votre appareil contient R600a :

Ce gaz est inflammable. Par conséquent, veuillez prendre garde à ne pas endommager le système de refroidissement et les tuyauteries lors de son utilisation ou de son transport. En cas de dommages, éloignez votre produit de toute source potentielle de flammes susceptible de provoquer l'incendie de l'appareil. De même, placez le produit dans une pièce aérée.

Ne tenez pas compte de cet avertissement si le système de refroidissement de votre appareil contient R134a.

Le type de gaz utilisé dans l'appareil est mentionné sur la plaque signalétique située sur la paroi gauche de l'intérieur du réfrigérateur.

Ne jetez jamais l'appareil au feu pour vous en débarrasser.

Mesures d'économie d'énergie

- Ne laissez pas les portes du réfrigérateur ouvertes pendant une durée prolongée.
- N'introduisez pas de denrées ou de boissons chaudes dans le réfrigérateur.
- Ne surchargez pas le réfrigérateur pour ne pas obstruer pas la circulation d'air à l'intérieur.

- N'installez pas le réfrigérateur à la lumière directe du soleil ou près d'appareil émettant de la chaleur tels qu'un four, un lave-vaisselle ou un radiateur. Maintenez une distance d'au moins 30 cm entre votre réfrigérateur et toute source de chaleur, et à une distance de 5cm d'un four électrique.
- Veillez à conserver vos denrées dans des récipients fermés.
- Pour les produits équipés d'un compartiment congélateur : vous pouvez conserver une quantité maximale d'aliments dans le congélateur quand vous enlevez l'étagère ou le tiroir du congélateur. La consommation d'énergie précisée pour votre réfrigérateur a été déterminée en enlevant l'étagère ou le tiroir du congélateur et avec la charge maximale. Il n'y aucun risque à utiliser une étagère ou un tiroir en fonction des formes et tailles des denrées à congeler.
- La décongélation des aliments dans le compartiment réfrigérateur permet de faire des économies d'énergie et de préserver la qualité des aliments.

3 Installation

⚠ AVERTISSEMENT:

Dans l'hypothèse ou l'information contenue dans ce manuel n'a pas été prise en compte par l'utilisateur, le fabricant ne sera aucunement responsable en cas de problèmes.

Éléments à prendre en considération lors du déplacement de votre réfrigérateur

1. Votre réfrigérateur doit être débranché. Avant le transport de votre réfrigérateur, vous devez le vider et le nettoyer. Avant d'emballer votre réfrigérateur, vous devez fixer ses étagères, bac, accessoires, etc, avec du ruban adhésif afin de les protéger contre les chocs.

1. L'emballage doit être solidement attaché avec du ruban adhésif épais ou avec un cordage solide. La réglementation en matière de transport et de marquage de l'emballage doit être strictement respectée.

2. L'emballage et les matériaux de protection d'emballage doivent être conservés pour les éventuels transports ou déplacements à venir.

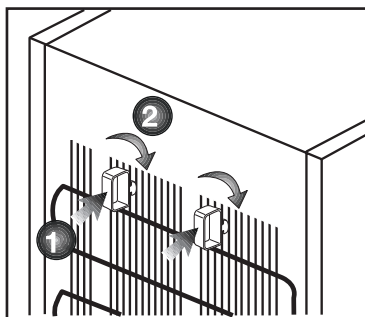
Avant de mettre votre réfrigérateur en marche

Vérifiez les points suivants avant de commencer à utiliser votre réfrigérateur

1. Fixez les câles en plastique tel qu'indiqué sur le schéma ci-dessous. Les câles en plastique servent à maintenir une distance permettant

la circulation de l'air entre le réfrigérateur et le mur. (Cette image n'est donnée qu'à titre indicatif ; elle n'est pas identique à votre produit.)

2. Vous pouvez installer les 2 cales en plastique comme illustré dans le schéma. Les cales en plastique maintiendront la distance nécessaire entre votre Congélateur



/ réfrigérateur et le mur pour permettre une bonne circulation de l'air. (Le schéma présenté est fourni à titre indicatif et peut ne pas correspondre exactement avec votre produit.)

3. Nettoyez l'intérieur du réfrigérateur tel qu'indiqué dans la section « Entretien et nettoyage ».

4. Insérez la prise du réfrigérateur dans la prise murale. Lorsque la porte du réfrigérateur est ouverte, la lampe interne du réfrigérateur s'éclaire.

5. Lorsque le compresseur commence à fonctionner, il émettra un son. Le liquide et les gaz intégrés au système du réfrigérateur peuvent également faire du bruit, que le

compresseur soit en marche ou non.
Ceci est tout à fait normal.

6. Les parties antérieures du réfrigérateur peuvent chauffer. Ce phénomène est normal. Ces zones doivent en principe être chaudes pour éviter tout risque de condensation.

Branchement électrique

Branchez votre réfrigérateur à une prise électrique protégée par un fusible ayant une capacité appropriée. Important :

- Le branchement doit être conforme aux normes en vigueur sur le territoire national.
- La fiche du câble d'alimentation doit être facilement accessible après installation.
- La sécurité électrique du réfrigérateur n'est assurée que si le système de mise à la terre de votre domicile est conforme aux normes en vigueur.
- La tension indiquée sur l'étiquette située sur la paroi gauche interne de votre produit doit correspondre à celle fournie par votre réseau électrique.
- **Les rallonges et prises multivoies ne doivent pas être utilisés pour brancher l'appareil.**

AVERTISSEMENT:

Un câble d'alimentation endommagé doit être remplacé par un électricien qualifié.

AVERTISSEMENT:

L'appareil ne doit pas être mis en service avant d'être réparé! Cette précaution permet d'éviter tout risque de choc électrique!

Mise au rebut de l'emballage

Les matériaux d'emballage peuvent être dangereux pour les enfants. Tenez les matériaux d'emballage hors de portée des enfants ou jetez-les conformément aux consignes établies par les autorités locales en matière de déchets. Ne les jetez pas avec les déchets domestiques, déposez-les dans les centres de collecte désignés par les autorités locales.

L'emballage de votre appareil est produit à partir de matériaux recyclables.

Mise au rebut de votre ancien réfrigérateur

Débarrassez-vous de votre ancien réfrigérateur sans nuire à l'environnement.

- Vous pouvez consulter le service après-vente agréé ou le centre chargé de la mise au rebut dans votre municipalité pour en savoir plus sur la mise au rebut de votre produit.

Avant de procéder à la mise au rebut de votre machine, coupez la prise électrique et, le cas échéant, tout verrouillage susceptible de se trouver sur la porte. Rendez-les inopérants afin de ne pas exposer les enfants à d'éventuels dangers.

Disposition et Installation

AVERTISSEMENT:

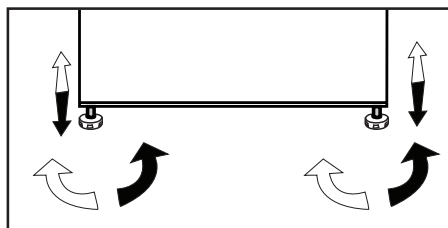
Si la porte d'entrée de la pièce où sera installé le réfrigérateur n'est pas assez large pour laisser passer le réfrigérateur, appelez le service après-vente qui retirera les portes du réfrigérateur et le fera entrer latéralement dans la pièce.

1. Installez le réfrigérateur dans un emplacement qui permette une utilisation pratique.
2. Maintenez le réfrigérateur éloigné de toutes sources de chaleur, des endroits humides et de la lumière directe du soleil.
3. Une ventilation d'air autour du réfrigérateur doit être aménagée pour obtenir un fonctionnement efficace. Si le réfrigérateur est placé dans un enfoncement du mur, il doit y avoir un espace d'au moins 5 cm avec le plafond et d'au moins 5 cm avec le mur. Ne placez pas l'appareil sur des revêtements tels qu'un tapis ou de la moquette.
4. Placez le réfrigérateur sur une surface plane afin d'éviter les à-coups.

Réglage des pieds

Si le réfrigérateur n'est pas stable.

Vous pouvez équilibrer le réfrigérateur en tournant les pieds avant, tel qu'illustré sur le schéma. Le côté où se trouve le pied s'abaisse lorsque vous tournez dans le sens de la flèche noire, et s'élève lorsque vous tournez dans le sens opposé. Si vous vous faites aider par quelqu'un pour légèrement soulever le réfrigérateur, l'opération s'en trouvera simplifiée.



Remplacement de l'ampoule

Pour remplacer la lampe LED du réfrigérateur, veuillez contacter le service après-vente agréé.

Les ampoules de cet appareil d'électroménager ne sont pas adaptées à une utilisation d'éclairage. L'utilisation recherchée de cette lampe et de permettre à l'utilisateur de placer confortablement et en sécurité les aliments dans le réfrigérateur / coffre.

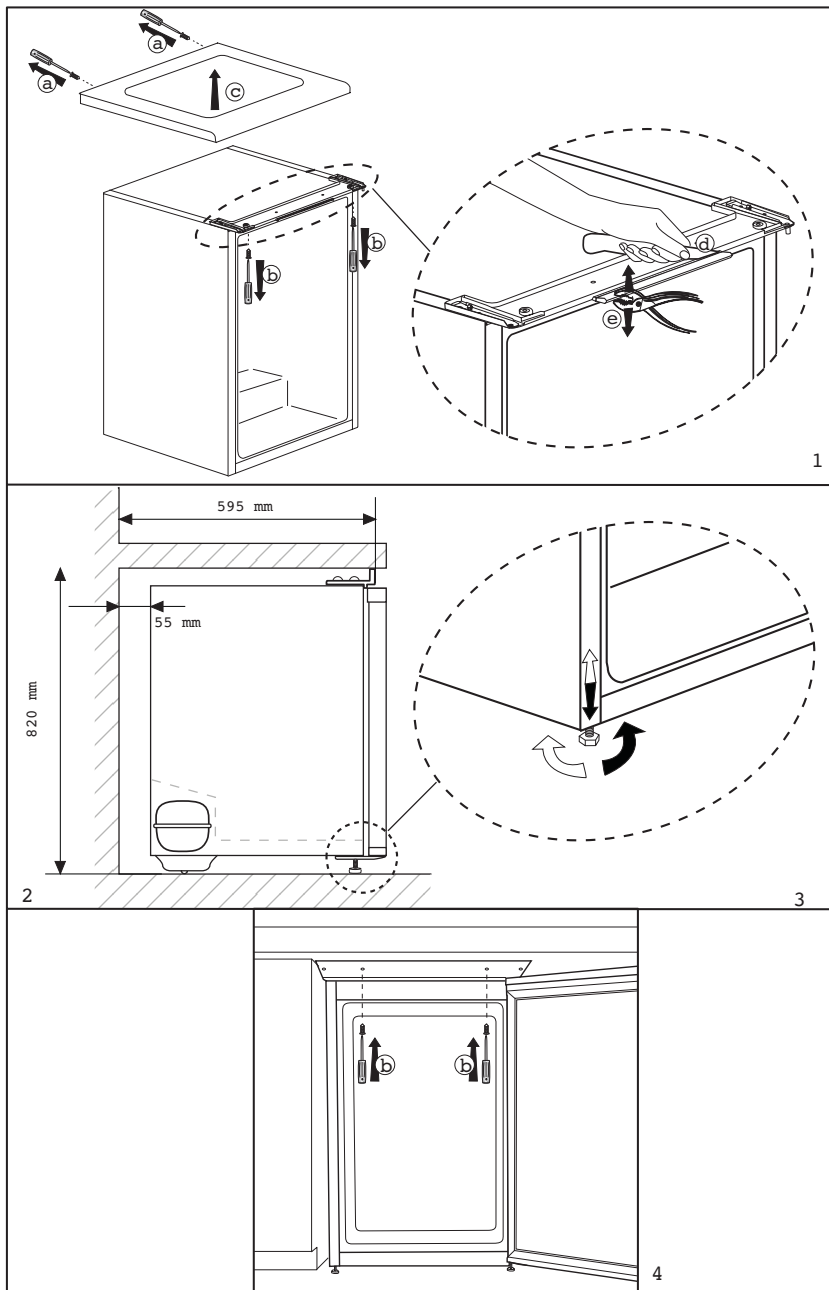
Les voyants utilisés dans cet appareil doivent résister aux conditions physiques extrêmes telles que des températures inférieures à -20°C .

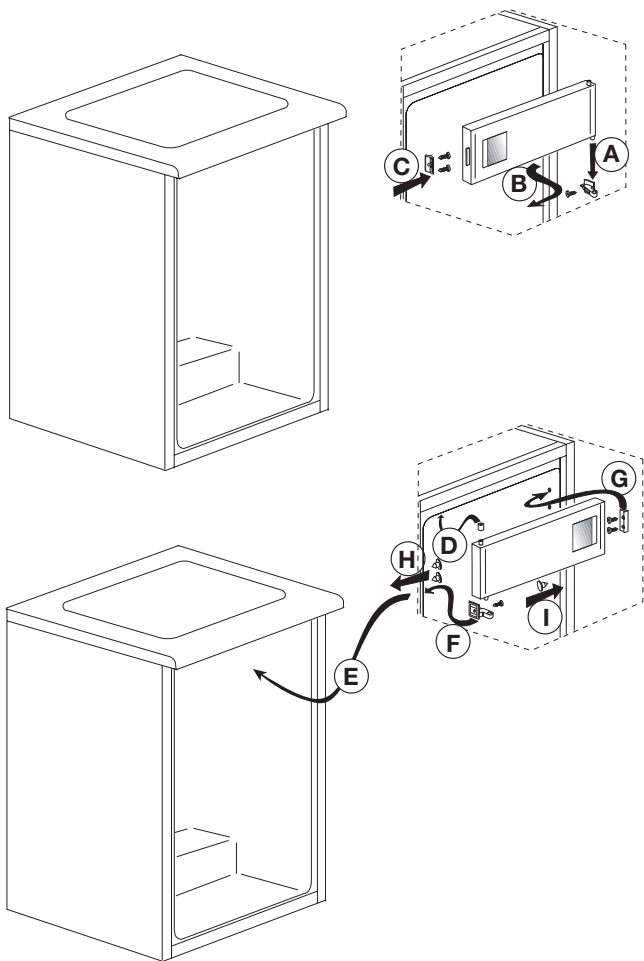
4 Préparation

- Votre congélateur / réfrigérateur doit être installé à au moins 30 cm des sources de chaleur telles que les plaques de cuisson, les fours, appareils de chauffage ou cuisinières, et à au moins 5 cm des fours électriques. De même, il ne doit pas être exposé à la lumière directe du soleil.
- Veuillez vous assurer que l'intérieur de votre appareil est soigneusement nettoyé.
- La température ambiante de la pièce où vous installez le congélateur / réfrigérateur doit être d'au moins 10°C. Faire fonctionner l'appareil sous des températures inférieures n'est pas recommandé et pourrait nuire à son efficacité.
- Si deux congélateur / réfrigérateurs sont installés côte à côte, ils doivent être séparés par au moins 2 cm.
- Lorsque vous faites fonctionner le congélateur / réfrigérateur pour la première fois, assurez-vous de suivre les instructions suivantes pendant les six premières heures.
- La porte ne doit pas être ouverte fréquemment.
- Le congélateur / réfrigérateur doit fonctionner à vide, sans denrées à l'intérieur.
- Ne débranchez pas le congélateur / réfrigérateur. Si une panne de courant se produit, veuillez vous reporter aux avertissements dans la section « Solutions recommandées aux problèmes ».
- L'emballage et les matériaux de protection d'emballage doivent être conservés pour les éventuels transports ou déplacements à venir.
- Les paniers/tiroirs fournis avec le compartiment rafraîchissement doivent être utilisés de manière continue pour une consommation énergétique minimale et de meilleures conditions de conservation.
- Le contact entre le capteur de température et les denrées alimentaires à l'intérieur du compartiment de congélation peut augmenter la consommation énergétique de l'appareil. Pour cette raison, les contacts avec les capteurs doivent être évités.
- Dans certains modèles, le tableau de bord s'éteint automatiquement 5 minutes après la fermeture de la portière. Il est réactivé à l'ouverture de la portière ou lorsqu'on appuie sur n'importe quelle touche.
- En raison des variations de température dues à l'ouverture ou à la fermeture de la porte de l'appareil en fonctionnement, il est normal que la condensation se forme sur la porte, les étagères ou les récipients en verre.

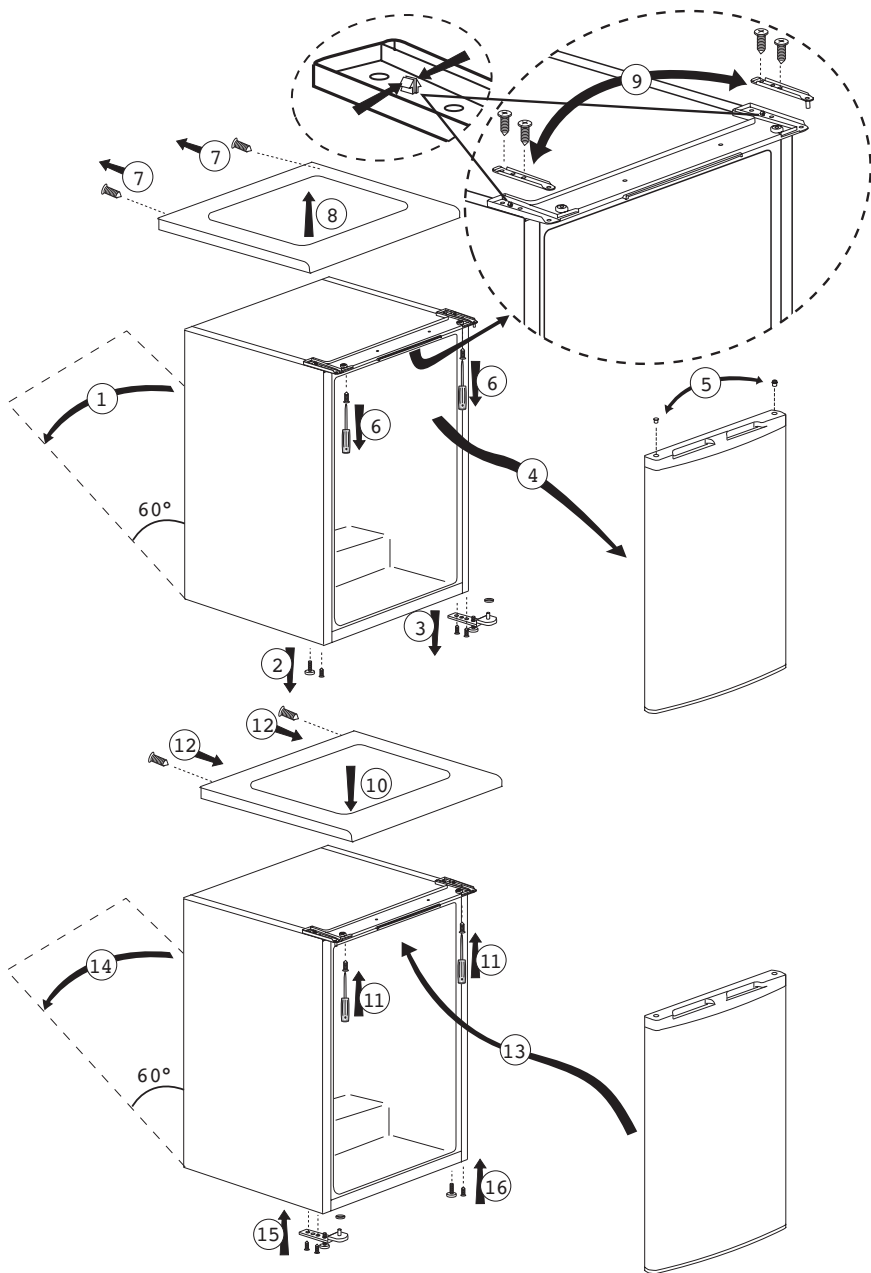
Réversibilité des portes

Procédez dans l'ordre numérique.

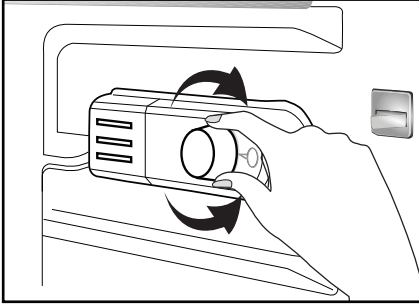




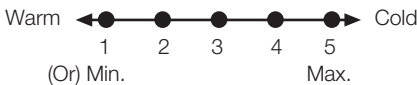
a



5 Utilisation de votre réfrigérateur



La température de fonctionnement est réglée à l'aide de la commande de température.



1 = Réglage de réfrigération le plus faible (réglage le plus chaud)

5 = Réglage de réfrigération le plus fort (réglage le plus froid)

(Ou)

Min. = Réglage de réfrigération le plus faible (réglage le plus chaud)

Min. = Réglage de réfrigération le plus fort (réglage le plus froid)

La température médiane à l'intérieur du réfrigérateur doit avoisiner les +5 °C. Veuillez choisir le réglage en fonction de la température désirée.

Vous pouvez éteindre votre appareil en réglant la commande du thermostat sur la position "0".

Vous remarquerez qu'il y a plusieurs températures différentes dans la zone de réfrigération.

La zone la plus froide est située directement au-dessous du bac à légumes.

La température intérieure est également fonction de la température ambiante, de la fréquence d'ouverture de la porte et de la quantité de denrées stockées à l'intérieur.

Si la porte est ouverte fréquemment, la température intérieure monte.

Pour cette raison, il est recommandé de après utilisation.

Congélation

Congeler les denrées

Le compartiment de congélation porte le symbole .

Vous pouvez utiliser cet appareil pour congeler des denrées fraîches ainsi que pour stocker des denrées surgelées.

Veuillez vous référer aux recommandations indiquées sur l'emballage de votre aliment.

• Attention

Ne pas congeler de boissons gazeuses car le liquide congelé peut faire éclater la bouteille.

Soyez prudents avec les produits congelés tels que les glaçons colorés.

Ne dépassez pas le pouvoir de congélation de votre appareil par 24 heures. Se référer à la plaque signalétique.

Afin de préserver la qualité des aliments, la congélation doit être effectuée le plus rapidement possible.

Ainsi, le pouvoir de congélation ne sera pas dépassé et la température à l'intérieur du congélateur ne montera pas.

• Attention

Conservez toujours les aliments déjà surgelés séparément des denrées qui viennent d'y être placées.

Lorsque vous surgelez un aliment chaud, le compresseur de réfrigération fonctionnera tant que l'aliment n'est pas complètement congelé. Cela peut causer un refroidissement excessif temporaire du compartiment réfrigérateur.

Si vous trouvez que la porte du congélateur est difficile à ouvrir juste après l'avoir fermée, ne vous inquiétez pas. Cela est dû à la différence de pression qui va se régulariser et permettra d'ouvrir la porte normalement au bout de quelques minutes.

Vous entendrez un bruit d'aspiration juste après avoir fermé la porte. Ceci est tout à fait normal.

Fabrication de glaçons


Remplissez les bacs à glaçons aux 3/4 d'eau et introduisez-les dans le congélateur.

Dès que l'eau est devenue glace, vous pouvez sortir les glaçons.

N'utilisez jamais d'objets tranchants tels que couteaux ou fourchettes pour démouler les glaçons. Vous pourriez vous blesser !

Laisser plutôt les glaçons dégeler légèrement ou bien mettez le fond du bac dans l'eau chaude pendant quelques instants.

Conservation des denrées surgelées

Le compartiment des denrées congelées porte le symbole .

Le compartiment des denrées congelées est destiné au stockage de denrées surgelées. La recommandation de conservation, indiquée sur l'emballage des aliments, doit toujours être respectée.

Dégivrage de l'appareil

La couche excessive de givre diminue l'efficacité de congélation de votre appareil.

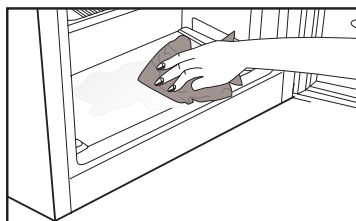
Il est donc recommandé de dégivrer votre appareil au moins deux fois par an ou lorsque la couche de givre dépasse 7 mm.



Dégivrez votre appareil quand il est peu garni ou vide.

Sortez les denrées surgelées. Enveloppez-les dans plusieurs feuilles de papiers ou dans une couverture et conservez-les dans un endroit frais.

Débranchez l'appareil ou coupez le disjoncteur afin de procéder au dégivrage.

Retirez les accessoires (tablette, tiroir, etc.) de l'appareil et utilisez un récipient approprié pour récupérer l'eau de dégivrage.



Utilisez une éponge ou un chiffon doux pour éponger l'eau de dégivrage du compartiment de congélation  et le compartiment de denrées congelées  le cas échéant.

Maintenez la porte ouverte pendant le dégivrage.

Pour un dégivrage accéléré, placez des récipients contenant de l'eau chaude à l'intérieur de l'appareil.

N'utilisez jamais d'appareils électriques, bombes de dégivrage ou d'objets tranchants comme des couteaux ou fourchettes pour enlever la glace.

Une fois le dégivrage terminé, nettoyez l'intérieur.

Rebranchez l'appareil au réseau électrique. Placez les produits surgelés dans les tiroirs et insérez-les dans le congélateur.

Réfrigération

Conservation des denrées

Le compartiment réfrigérateur est destiné à la conservation à court terme d'aliments frais et boissons.

Conservez les produits laitiers dans le compartiment prévu à cet effet dans le réfrigérateur.

Les bouteilles peuvent être stockées sur la clayette support bouteilles ou dans le balconnet range bouteilles de la porte.

La viande crue sera conservée de manière optimale dans un sac en polyéthylène dans le compartiment situé tout en bas du réfrigérateur.

Laisser refroidir les aliments et boissons à la température ambiante avant de les introduire dans le réfrigérateur.

• Attention

Conservez l'alcool à forte concentration dans un récipient à la verticale et bien fermé uniquement.

• Attention

Ne conservez pas de substances explosives ni de récipients à gaz propulseurs inflammables (crème en bombe, bombes aérosols etc.) dans l'appareil.

Un risque d'explosion existe.

Dégivrage de l'appareil

Le compartiment réfrigérateur dégivre automatiquement. L'eau de dégivrage s'écoule dans la voie d'écoulement et se déverse dans le bac de récupération situé à l'arrière de l'appareil.

Pendant le dégivrage, des gouttelettes d'eau se forment sur la paroi arrière du réfrigérateur à cause de l'évaporation.

Si toutes les gouttes ne s'écoulent pas, elles pourraient geler à nouveau une fois le dégivrage achevé. Essayez-les à l'aide d'un chiffon doux imbibé d'eau tiède. N'utilisez pas d'objets durs ou tranchants.

Vérifiez l'écoulement de l'eau de dégivrage de temps en temps. L'orifice peut éventuellement être obstrué. Nettoyez-le avec un coton-tige ou objet similaire.

6 Entretien et nettoyage

- ⚠ N'utilisez jamais d'essence, de benzène ou de matériaux similaires pour le nettoyage.
- ⚠ Nous vous recommandons de débrancher l'appareil avant de procéder au nettoyage.
- ❗ N'utilisez jamais d'ustensiles tranchants, savon, produit de nettoyage domestique, détergent et cirage pour le nettoyage.
- ❗ Pour des appareils qui ne sont pas de la marque No Frost, des gouttes d'eau et une couche de givre pouvant atteindre la largeur d'un doigt se forment sur la paroi arrière du compartiment réfrigérateur. Ne les nettoyez pas et évitez d'y utiliser de l'huile ou des produits similaires.
- ❗ Utilisez uniquement des tissus en microfibres légèrement mouillés pour nettoyer la surface externe de l'appareil. Les éponges et autres tissus de nettoyage sont susceptibles de rayer la surface.
- ❗ Utilisez de l'eau tiède pour nettoyer la carrosserie du congélateur / réfrigérateur et séchez-la soigneusement à l'aide d'un chiffon.
- ❗ Utilisez un chiffon humide imbibé d'une solution composée d'une cuillère à café de bicarbonate de soude pour un demi litre d'eau pour nettoyer l'intérieur et séchez soigneusement.
- ⚠ Prenez soin de ne pas faire couler d'eau dans le logement de la lampe et dans d'autres éléments électriques.
- ⚠ En cas de non utilisation de votre congélateur / réfrigérateur pendant une période prolongée, débranchez le câble d'alimentation, sortez toutes les denrées, nettoyez-le et laissez la porte entrouverte.
- ❗ Inspectez les joints de porte régulièrement pour vérifier qu'ils sont propres et qu'il n'y a pas de résidus de nourriture.
- ❗ Pour retirer les balconnets de portes, sortez tout son contenu puis poussez simplement le balconnet vers le haut à partir de la base.
- ❗ Ne jamais utiliser des produits nettoyants ou de l'eau contenant du chlore pour le nettoyage des surfaces externes et des pièces chromées du produit. Le chlore entraîne la corrosion de ces surfaces métalliques.
- ❗ Évitez d'utiliser des objets tranchants ou abrasifs, du savon, des produits ménagers de nettoyage, des détergents, de l'essence, du benzène, de la cire, ect. ; autrement, les marques sur les pièces en plastique pourraient s'effacer et les pièces elles-mêmes pourraient présenter des déformations. Utilisez de l'eau tiède et un torchon doux pour nettoyer et

7 Solutions recommandées aux problèmes

Veillez vérifier la liste suivante avant d'appeler le service après-vente. Cela peut vous faire économiser du temps et de l'argent. Cette liste regroupe les problèmes les plus fréquents ne provenant pas d'un défaut de fabrication ou d'utilisation du matériel. Il se peut que certaines des fonctions décrites ne soient pas présentes sur votre produit.

Le réfrigérateur ne fonctionne pas

- Le réfrigérateur est-il correctement branché ? Insérez la prise dans la prise murale.
- Est-ce que le fusible ou la douille de raccord du réfrigérateur sont connectés ou est-ce que le fusible principal a sauté ? Vérifiez le fusible.

Condensation sur la paroi intérieure du compartiment réfrigérateur. (MULTI ZONE, COOL CONTROL et FLEXI ZONE)

- Température ambiante très basse. Ouvertures et fermetures fréquentes de la porte. Humidité ambiante très élevée. Conservation de denrées liquides dans des récipients ouverts. Porte laissée entrouverte.
- Réglez le thermostat à un niveau de froid supérieur.
- Réduisez les temps d'ouverture de la porte ou utilisez-la moins fréquemment.
- Couvrez les denrées dans des récipients ouverts à l'aide d'un matériau adapté.
- Essuyez la condensation à l'aide d'un tissu sec et vérifiez si elle persiste.

Le compresseur ne fonctionne pas.

- Le dispositif de protection thermique du compresseur sautera en cas de coupures soudaines du courant ou de débranchement intempestif, en effet la pression du liquide réfrigérant du système de refroidissement ne sera pas équilibrée.
- Le réfrigérateur recommencera à fonctionner normalement après 6 minutes environ. Veuillez contacter le service après-vente si le réfrigérateur ne redémarre pas après cette période.
- Le réfrigérateur est en mode de dégivrage. Cela est normal pour un réfrigérateur à dégivrage semi-automatique. Le cycle de dégivrage se déclenche régulièrement.
- Le réfrigérateur n'est pas branché à la prise. Assurez-vous que la prise est branchée correctement à la prise murale.
- Les réglages de température sont-ils corrects ? Il y a une panne de courant. Veuillez contacter votre fournisseur d'électricité.

Le réfrigérateur fonctionne fréquemment ou pendant de longues périodes.

- Votre nouveau réfrigérateur est peut être plus large que l'ancien. Ceci est tout à fait normal. Les grands réfrigérateurs fonctionnent pendant une période de temps plus longue.
- La température ambiante de la salle peut être élevée. Ce phénomène est tout à fait normal.
- Le réfrigérateur pourrait y avoir été branché tout récemment ou pourrait avoir été chargé de denrées alimentaires. Le refroidissement complet du réfrigérateur peut durer quelques heures de plus.
- D'importantes quantités de denrées chaudes ont peut être été introduites dans le réfrigérateur récemment. Les denrées chaudes provoquent un fonctionnement prolongé du réfrigérateur avant d'atteindre le niveau de température de conservation raisonnable.
- Les portes ont peut être été ouvertes fréquemment ou laissées entrouvertes pendant une durée prolongée. L'air chaud qui entre dans le réfrigérateur le fait fonctionner pendant de plus longues périodes. Ouvrez les portes moins souvent.
- La porte du réfrigérateur ou du congélateur ont peut être été laissées entrouvertes. Vérifiez que les portes sont bien fermées.
- Le réfrigérateur est réglé à une température très basse. Réglez la température du réfrigérateur à un degré supérieur et attendez jusqu'à ce que la température soit bonne.
- Le joint de la porte du réfrigérateur ou du congélateur peut être sale, déchiré, rompu ou mal en place. Nettoyez ou remplacez le joint. Tout joint endommagé/déchiré fait fonctionner le réfrigérateur pendant une période de temps plus longue afin de conserver la température actuelle.

La température du congélateur est très basse alors que celle du réfrigérateur est correcte.

- La température du congélateur est réglée à une température très basse. Réglez la température du congélateur à un degré supérieur et vérifiez.

La température du réfrigérateur est très basse alors que celle du congélateur est correcte.

- La température du réfrigérateur est réglée à une température très basse. Réglez la température du réfrigérateur à un degré supérieur et vérifiez.

Les denrées conservées dans les tiroirs du compartiment de réfrigération congèlent.

- La température du réfrigérateur est réglée à une température très basse. Réglez la température du réfrigérateur à un degré supérieur et vérifiez.

La température dans le réfrigérateur ou le congélateur est très élevée.

- La température du réfrigérateur est réglée à un niveau de froid très élevé. Le réglage du réfrigérateur a un effet sur la température du congélateur. Modifiez la température du réfrigérateur ou du congélateur jusqu'à ce qu'elles atteignent un niveau correct.
- La porte est peut être restée ouverte. Refermez complètement la porte.
- D'importantes quantités de denrées chaudes ont peut être été introduites dans le réfrigérateur récemment. Attendez que le réfrigérateur ou le congélateur atteigne la bonne température.
- Le réfrigérateur y a peut être été branché récemment. Le refroidissement complet du réfrigérateur nécessite du temps à cause de sa taille.

Un bruit similaire au son émis par l'aiguille des secondes d'une horloge analogique provient du réfrigérateur.

- Ce bruit provient de la valve solénoïde du réfrigérateur. La valve solénoïde fonctionne afin d'assurer le passage du réfrigérant à travers le compartiment qui peut être ajusté aux températures de refroidissement et de congélation, et dans le but d'effectuer les fonctions de refroidissement. Ce phénomène est tout à fait normal et ne constitue nullement un dysfonctionnement.

Le niveau sonore augmente lorsque le réfrigérateur est en marche.

- Les caractéristiques de performance du réfrigérateur peuvent changer en fonction des variations de la température ambiante. Cela est normal et n'est pas un défaut.

Vibrations ou bruits

- Le sol n'est pas plat ou n'est pas solide. Le réfrigérateur oscille lorsqu'on le bouge lentement. Assurez-vous que le sol est plat, solide et qu'il peut supporter le réfrigérateur.
- Les bruits peuvent être produits par les objets placés sur le réfrigérateur. De tels objets doivent être enlevés du dessus du réfrigérateur.

Le réfrigérateur produit des bruits semblables à de l'eau qui coule ou à la pulvérisation d'un liquide.

- Des écoulements de gaz et de liquides se produisent dans le réfrigérateur, de par ses principes de fonctionnement. Cela est normal et n'est pas un défaut.

Le réfrigérateur produit des bruits semblables à du vent.

- Des activateurs d'air (ventilateurs) sont utilisés pour permettre au réfrigérateur de fonctionner efficacement. Cela est normal et n'est pas un défaut.

Condensation sur les parois intérieures du réfrigérateur.

- Un temps chaud et humide augmente la formation de givre et de condensation. Cela est normal et n'est pas un défaut.
- Les portes sont entrouvertes. Assurez-vous que les portes sont complètement fermées.
- Les portes ont peut être été ouvertes très fréquemment ou ont peut être été laissées ouvertes pendant une durée prolongée. Ouvrez la porte moins souvent.

De l'humidité est présente à l'extérieur ou entre les portes du réfrigérateur.

- Le temps est peut être humide. Ceci est tout à fait normal avec un temps humide. Lorsque l'humidité est faible, la condensation disparaîtra.

Présence d'une mauvaise odeur dans le réfrigérateur.

- L'intérieur du réfrigérateur doit être nettoyé. Nettoyez l'intérieur du réfrigérateur avec une éponge, de l'eau ou de l'eau gazeuse chaude.
- Certains récipients ou matériaux d'emballage peuvent provoquer ces odeurs. Utilisez un autre récipient ou changez de marque de matériau d'emballage.

La (les) porte(s) ne se ferme(nt) pas.

- Des récipients peuvent empêcher la fermeture de la porte. Remplacez les emballages qui obstruent la porte.
- Le réfrigérateur n'est probablement pas complètement vertical et il peut balancer lorsqu'on le bouge légèrement. Réglez les vis de levage.
- Le sol n'est pas plat ou solide. Assurez-vous que le sol est plat et qu'il peut supporter le réfrigérateur.

Les bacs à légumes sont coincés.

- Il se peut que les denrées touchent le plafond du tiroir. Disposez à nouveau les denrées dans le tiroir.

Bitte lesen Sie zuerst diese Anleitung!

Lieber Kunde,

Wir sind sicher, dass Ihnen dieses Produkt, das in modernsten Fertigungsstätten hergestellt und den strengsten Qualitätsprüfungen unterzogen wurde, lange Zeit gute Dienste leisten wird.




Wir empfehlen Ihnen, vor Inbetriebnahme des Gerätes das gesamte Handbuch durchzulesen und es anschließend aufzubewahren.

Diese Anleitung...

- hilft Ihnen, Ihr Gerät schnell und sicher zu bedienen.
- Lesen Sie die Anleitung, bevor Sie Ihr Gerät aufstellen und bedienen.
- Halten Sie sich an die Anweisungen, beachten Sie insbesondere die Sicherheitshinweise.
- Bewahren Sie die Anleitung an einem leicht zugänglichen Ort auf, damit Sie jederzeit darin nachschlagen können.
- Lesen Sie auch die weiteren Dokumente, die mit Ihrem Produkt geliefert wurden.
- Bitte beachten Sie, dass diese Anleitung eventuell auch für andere Geräte eingesetzt werden kann.

Symbole und ihre Bedeutung

In dieser Anleitung finden Sie die folgenden Symbole:

-  Wichtige Informationen oder nützliche Tipps.
-  Warnung vor Verletzungen oder Sachschäden.
-  Warnung vor elektrischem Strom.

INHALT

1 Ihr Kühlschrank / Gefrierschrank **4**

2 Wichtige Sicherheitshinweise **5**

Bestimmungsgemäßer Einsatz.....	5
Allgemeine Hinweise zu Ihrer Sicherheit	5
Bei Geräten mit Wasserspender:	9
Kinder - Sicherheit	10
Erfüllung von WEEE-Vorgaben zur Entsorgung von Altgeräten:	10
Hinweise zur Verpackung	10
HC-Warnung.....	11
Tipps zum Energiesparen	11

3 Installation **12**

Wenn Sie den Kühlschrank versetzen möchten:.....	12
Vor dem Einschalten	12
Elektrischer Anschluss.....	13
Verpackungsmaterialien entsorgen	13
Altgeräte entsorgen.....	13
Aufstellung und Installation.....	14
Füße einstellen	15
Remplacement de l'ampoule	15

4 Vorbereitung **16**

5 So bedienen Sie Ihren Kühlschrank/ Gefrierschrank **20**

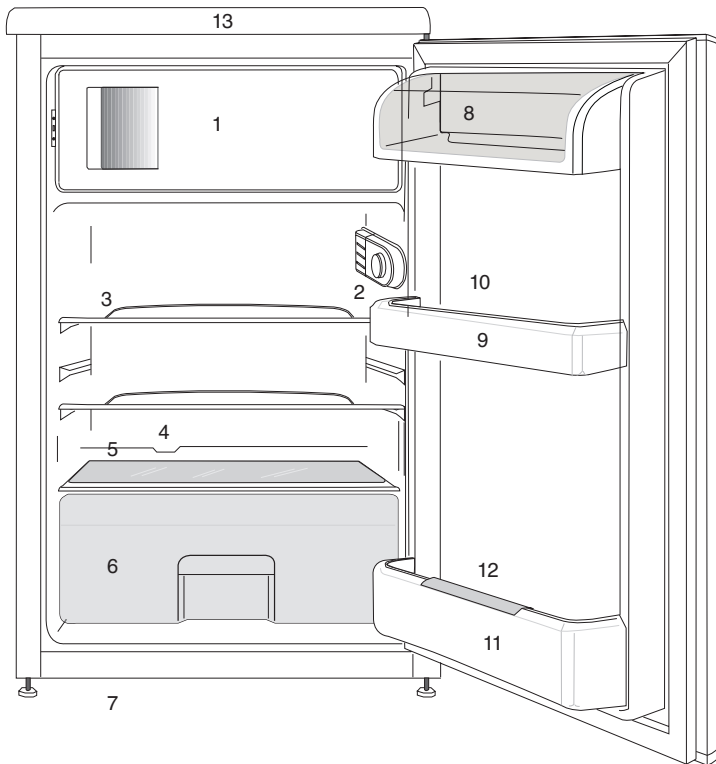
Einfrieren von Lebensmitteln	20
Herstellung von Eiswürfeln	21
Lagerung von Tiefkühlkost.....	21
Gerät abtauen.....	21
Kühlen	22
Lagern von Lebensmitteln	22
Gerät abtauen.....	22

6 Wartung und Reinigung **24**

Schutz der Kunststoffflächen	25
------------------------------------	----

7 Empfehlungen zur Problemlösung **26**

1 Ihr Kühlschrank / Gefrierschrank



1. a) Tiefkühlfach und Eisschale (❄️❄️❄️-Modelle) b) Gefrierfach und Eisschale (* *)-Modelle
2. Innenbeleuchtung und Thermostatknopf
3. Bewegliche Ablagen
4. Tauwassersammelkanal
5. Gemüsefachabdeckung
6. Gemüsefach
7. Einstellbare Füße an der Vorderseite
8. Bereich für Milchprodukte
9. Türablagen
10. Eierbehälter
11. Flaschenablage
12. Flaschenhalter
13. Obere Abschlussplatte

ⓘ Abbildungen und Angaben in dieser Anleitung sind schematisch und können etwas von Ihrem Gerät abweichen. Falls Teile nicht zum Lieferumfang des erworbenen Gerätes zählen, gelten sie für andere Modelle.

2 Wichtige Sicherheitshinweise

Bitte lesen Sie die folgenden Hinweise aufmerksam durch. Bei Nichtbeachtung dieser Angaben kann es zu Verletzungen und Sachschäden kommen. In diesem Fall erlöschen auch sämtliche Garantie- und sonstigen Ansprüche.

Originalersatzteile stehen für einen Zeitraum von 10 Jahre beginnend mit dem Kaufdatum zur Verfügung.

Bestimmungsgemäßer Einsatz

⚠	ACHTUNG: Stellen Sie sicher, dass wenn das Gerät in seinem Gehäuse oder platziert ist, die Entlüftungsöffnungen nicht blockiert werden.
⚠	ACHTUNG: Um den Auftauvorgang zu beschleunigen, keine anderen mechanischen Geräte oder Geräte verwenden, die nicht vom Hersteller empfohlen sind.
⚠	ACHTUNG: Dem Kühlmittelkreislauf keine Schäden zufügen.

⚠	ACHTUNG: In den ebensmittelaufbewahrungsfächern keine elektrischen Geräte verwenden, die nicht vom Hersteller empfohlen sind.
⚠	WARNUNG: Lagern Sie keinerlei explosiven Substanzen (dazu zählen auch Sprühdosen mit brennbarem Treibmittel) im Gerät.

Dieses Gerät ist für die private Nutzung oder für den Gebrauch bei folgenden ähnlichen Anwendungen konzipiert wurden

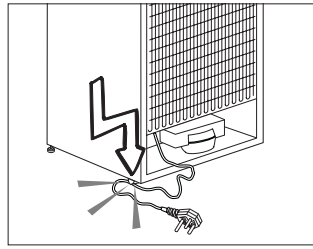
- In Personalküchen in Geschäften, Büros und anderen Arbeitsumgebungen;
- In Bauernhöfen, Hotels, Motels und anderen Unterkünften, für den Gebrauch der Kunden;
- Umgebungen mit Übernachtung und Frühstück;
- Bei Catering und ähnlichen Non-Retail-Anwendungen.

Allgemeine Hinweise zu Ihrer Sicherheit

- Wenn Sie das Gerät entsorgen möchten, wenden Sie sich am besten an den autorisierten Kundendienst. Hier erhalten Sie notwendige Informationen und erfahren, welche Stellen für die Entsorgung zuständig sind.
- Bei Problemen und Fragen zum Gerät wenden Sie sich grundsätzlich an den autorisierten Kundendienst. Ziehen Sie keine Dritten zu Rate, versuchen Sie nichts in Eigenregie, ohne den autorisierten Kundendienst davon in Kenntnis zu setzen.
- Bei Geräten mit Tiefkühlbereich: Der Verzehr von Speiseeis und Eiswürfeln unmittelbar nach der Entnahme aus dem Tiefkühlbereich ist nicht ratsam. (Dies kann zu Erfrierungen führen.)
- Bei Geräten mit Tiefkühlbereich: Bewahren Sie Getränke in Flaschen sowie Dosen niemals im Tiefkühlbereich auf. Diese platzen.
- Berühren Sie gefrorene Lebensmittel nicht mit der Hand; sie können festfrieren.
- Trennen Sie Ihren Kühlschrank vor dem Reinigen oder Abtauen vom Stromnetz.
- Verwenden Sie niemals Dampf- oder Sprühreiniger zum Reinigen und Abtauen Ihres Kühlschranks. Die Dämpfe oder Nebel können in Kontakt mit stromführenden Teilen geraten und Kurzschlüsse oder Stromschläge auslösen.
- Missbrauchen Sie niemals Teile Ihres Kühlschranks (z. B. Tür) als Befestigungen oder Kletterhilfen.
- Nutzen Sie keine elektrischen Geräte innerhalb des Kühlschranks.
- Achten Sie darauf, den Kühlkreislauf keinesfalls mit Bohr- oder Schneidwerkzeugen zu beschädigen. Das Kühlmittel kann herausspritzen, wenn die Gaskanäle des Verdunsters, Rohr- und Schlauchleitungen oder Oberflächenversiegelungen beschädigt werden. Dies kann zu Hautreizungen und Augenverletzungen führen.
- Decken Sie keinerlei Belüftungsöffnungen des Kühlschranks ab.
- Elektrische Geräte dürfen nur von autorisierten Fachkräften repariert werden. Reparaturen durch weniger kompetente Personen können erhebliche Gefährdungen des Anwenders verursachen.
- Sollten Fehler oder Probleme während der Wartung oder Reparaturarbeiten auftreten, so

- trennen Sie den Kühlschrank von der Stromversorgung, indem Sie die entsprechende Sicherung abschalten oder den Netzstecker ziehen.
- Ziehen Sie niemals am Netzkabel – ziehen Sie direkt am Stecker.
 - Achten Sie darauf, hochprozentige Getränke stehend und mit fest verschlossenem Deckel zu lagern.
 - Bewahren Sie niemals Sprühdosen mit brennbaren und explosiven Substanzen im Kühlschrank auf.
 - Nutzen Sie keine mechanischen oder anderen Hilfsmittel, um das Gerät abzutauen – es sei denn, solche Hilfsmittel werden ausdrücklich vom Hersteller empfohlen.
 - Dieses Produkt darf nicht von Personen (einschließlich Kindern) mit eingeschränkten physischen, sensorischen oder geistigen Fähigkeiten bedient werden, sofern sie nicht durch eine Person, die für ihre Sicherheit verantwortlich ist, in der Bedienung des Produktes angeleitet werden.
 - Nehmen Sie einen beschädigten Kühlschrank nicht in Betrieb. Wenden Sie sich bei jeglichen Zweifeln an einen Kundendienstmitarbeiter.
 - Die elektrische Sicherheit des Gerätes ist nur dann gewährleistet, wenn das hausinterne Erdungssystem den zutreffenden Normen entspricht.
 - Setzen Sie das Gerät keinem Regen, Schnee, direktem Sonnenlicht oder Wind aus; dies kann die elektrische Sicherheit gefährden.
 - Wenden Sie sich zur Vermeidung von Gefahren an den autorisierten Kundendienst, falls das Netzkabel beschädigt ist.
 - Stecken Sie während der Installation niemals den Netzstecker ein. Andernfalls kann es zu schweren bis tödlichen Verletzungen kommen.
 - Dieser Kühlschrank dient nur der Aufbewahrung von Lebensmitteln. Für andere Zwecke sollte er nicht verwendet werden.
 - Das Etikett mit den technischen Daten befindet sich an der linken Innenwand des Kühlschranks.

- Schließen Sie Ihren Kühlschrank niemals an energiesparende Systeme an; dies kann den Kühlschrank beschädigen.
- Falls sich ein blaues Licht am Kühlschrank befindet, blicken Sie nicht längere Zeit mit bloßem Augen oder optischen Werkzeugen hinein.
- Bei manuell gesteuerten Kühlschränken warten Sie mindestens 5 Minuten, bevor Sie den Kühlschrank nach einem Stromausfall wieder einschalten.
- Falls Sie das Gerät an einen anderen Besitzer weitergeben, vergessen Sie nicht, die Bedienungsanleitung ebenfalls auszuhändigen.
- Achten Sie darauf, dass das Netzkabel beim Transport des Kühlschranks nicht beschädigt wird. Übermäßiges Biegen des Kabels birgt Brandgefahr. Platzieren Sie keine schweren Gegenstände auf dem Netzkabel.
- Berühren Sie den Netzstecker niemals mit feuchten oder gar nassen Händen.



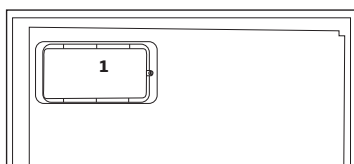
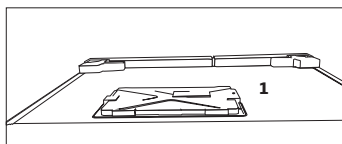
- Schließen Sie den Kühlschrank nicht an lose Steckdosen an.
- Sprühen Sie aus Sicherheitsgründen niemals Wasser auf die Innen- und Außenflächen des Gerätes.
- Sprühen Sie keine Substanzen mit brennbaren Gasen, wie z. B. Propangas, in die Nähe des Kühlschranks; andernfalls bestehen Brand- und Explosionsgefahr.
- Stellen Sie keine mit Wasser gefüllten Gegenstände auf den Kühlschrank; dies birgt Brand- und Stromschlaggefahr.
- Überladen Sie das Gerät nicht mit Lebensmitteln. Wenn das Gerät überladen ist, können beim Öffnen der Kühlschranktür Lebensmittel herausfallen und Verletzungen verursachen.
- Stellen Sie keinesfalls Gegenstände auf den Kühlschrank; sie könnten

beim Öffnen oder Schließen der Kühlschranktür herunterfallen.

- Materialien wie beispielsweise Impfstoffe, wärmeempfindliche Arznei, wissenschaftliche Proben usw. sollten nicht im Kühlschrank aufbewahrt werden, da sie bei exakt festgelegten Temperaturen gelagert werden müssen.
- Trennen Sie den Kühlschrank vom Stromnetz, wenn er längere Zeit nicht benutzt wird. Ein mögliches Problem im Netzkabel kann einen Brand auslösen.
- Wenn die höhenverstellbaren Füße nicht sicher auf dem Boden stehen, kann sich der Kühlschrank bewegen. Die angemessene Sicherung der höhenverstellbaren Füße am Boden kann eine Bewegung des Kühlschranks verhindern.
- Halten Sie den Kühlschrank beim Tragen nicht am Türgriff. Andernfalls könnte er abbrechen.
- Wenn Sie Ihr Produkt neben einem anderen Kühl- oder Gefrierschrank aufstellen möchten, sollte der Abstand zwischen beiden Geräten mindestens 8 cm betragen.

Andernfalls können die benachbarten Seitenwände feucht werden.

- Benutzen Sie das Gerät niemals, wenn die sich auf der Oberseite bzw. auf der Rückseite befindlichen Bereiche mit den elektronischen Leitern im Inneren geöffnet sind (Abdeckung der elektronischen Leiterplatten) (1).



Bei Geräten mit Wasserspender:

- Der Druck für die Kaltwasserzufuhr sollte maximal 90 psi (620 kPa) betragen. Wenn der Wasserdruck in Ihrem Haushalt 80 psi (550 kPa) übersteigt, verwenden Sie bitte ein

Druckbegrenzungsventil in Ihrem Leitungssystem. Sollten Sie nicht wissen, wie der Wasserdruck gemessen wird, ziehen Sie bitte einen Fachinstallateur hinzu.

- Sollte für Ihr Leitungssystem das Risiko eines Wasserschlags (Druckstoß) bestehen, verwenden Sie stets eine geeignete Druckstoßsicherung. Wenden Sie sich bitte an einen Fachinstallateur, falls Sie sich über die Wasserschlaggefährdung in Ihrem Leitungssystem nicht sicher sein sollten.
- Nutzen Sie niemals die Warmwasserzufuhr für den Einbau. Treffen Sie geeignete Vorsichtsmaßnahmen zum Schutz der Leitungen gegen mögliches Einfrieren. Die für den Betrieb zulässige Wassertemperatur liegt im Bereich von mindestens 0,6°C (33°F) bis hin zu maximal 38°C (100°F).
- Nur Trinkwasser verwenden.

Kinder - Sicherheit

- Bei abschließbaren Türen bewahren Sie den Schlüssel außerhalb der Reichweite von Kindern auf.

- Achten Sie darauf, dass Kinder nicht mit dem Produkt spielen.

Erfüllung von WEEE-Vorgaben zur Entsorgung von Altgeräten:



Dieses Produkt erfüllt die Vorgaben der EU-WEEE-Direktive (2012/19/EU).

Das Produkt wurde mit einem Klassifizierungssymbol für elektrische und elektronische Altgeräte (WEEE) gekennzeichnet.

Dieses Gerät wurde aus hochwertigen Materialien hergestellt, die wiederverwendet und recycelt werden können. Entsorgen Sie das Gerät am Ende seiner Einsatzzeit nicht mit dem regulären Hausmüll; geben Sie es stattdessen bei einer Sammelstelle zur Wiederverwertung von elektrischen und elektronischen Altgeräten ab. Ihre Stadtverwaltung informiert Sie gerne über geeignete Sammelstellen in Ihrer Nähe.

Hinweise zur Verpackung

Die Verpackungsmaterialien des Gerätes wurden gemäß nationalen Umweltschutzbestimmungen aus recyclingfähigen Materialien hergestellt. Entsorgen Sie Verpackungsmaterialien nicht mit dem regulären Hausmüll oder anderen Abfällen. Bringen Sie Verpackungsmaterialien zu geeigneten Sammelstellen; Ihre Stadtverwaltung berät Sie gern.

Nicht vergessen!

Recycelte Materialien leisten einen wichtigen Beitrag zu einer schönen und gesunden Umwelt.

Wenn Sie zur Wiederverwertung von Verpackungsmaterialien beitragen möchten, informieren Sie sich bei Ihren Umweltschutzbehörden oder der Stadtverwaltung, wo entsprechende Sammelstellen zu finden sind.

HC-Warnung

Falls das Kühlsystem Ihres Produktes R600a enthält:

Dieses Gas ist leicht entflammbar. Achten Sie also darauf, Kühlkreislauf und Leitungen während Betrieb und Transport nicht zu beschädigen. Bei Beschädigungen halten Sie das Produkt von potenziellen Zündquellen (z. B. offenen Flammen) fern und sorgen für eine gute Belüftung des Raumes, in dem das Gerät aufgestellt wurde.

Ignorieren Sie diese Warnung, falls das Kühlsystem Ihres Produktes R134a enthält.

Die Art des im Gerät eingesetzten Gases wird auf dem Typenschild an der linken Innenwand des Kühlschranks angegeben.

Entsorgen Sie das Produkt keinesfalls durch Verbrennen.

Tipps zum Energiesparen

- Halten Sie die Kühlschrankschürzen nur möglichst kurz geöffnet.
- Geben Sie keine warmen Speisen oder Getränke in den Kühlschrank.
- Überladen Sie den Kühlschrank nicht; die Luft muss frei zirkulieren können.

- Stellen Sie den Kühlschrank nicht im direkten Sonnenlicht oder in der Nähe von Wärmequellen wie Öfen, Spülmaschinen oder Heizkörpern auf. Halten Sie den Kühlschrank mindestens 30 cm von Wärmequellen und mindestens 5 cm von elektrischen Öfen entfernt.
- Achten Sie darauf, Ihre Lebensmittel in verschlossenen Behältern aufzubewahren.
- Bei Geräten mit Tiefkühlbereich: Sie können noch mehr Lebensmittel einlagern, wenn Sie die Ablage oder Schublade aus dem Tiefkühlbereich herausnehmen. Der für Ihren Kühlschrank angegebene Energieverbrauch wurde nach dem Entfernen der Ablage oder Schublade und bei maximaler Beladung bestimmt. Ansonsten ist es Ihnen freigestellt, die Ablage oder Schublade zu verwenden.
- Das Auftauen von gefrorenen Lebensmitteln im Kühlbereich ist energiesparend und bewahrt die Qualität der Lebensmittel.

3 Installation

⚠ Der Hersteller haftet nicht, falls die Angaben in dieser Anleitung nicht berücksichtigt werden.

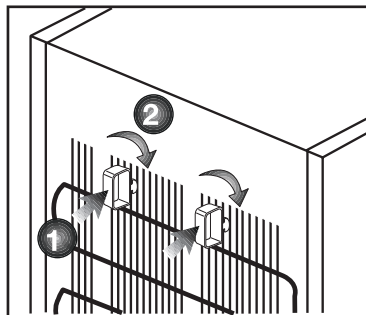
Wenn Sie den Kühlschrank versetzen möchten:

1. Ziehen Sie zuvor den Netzstecker. Der Kühlschrank sollte geleert und gesäubert werden, bevor Sie ihn transportieren oder versetzen.
2. Sichern Sie die beweglichen Teile im Inneren (z. B. Ablagen, Zubehör, Gemüsefach etc.) vor dem Verpacken mit Klebeband, schützen Sie solche Teile vor Stößen. Umwickeln Sie die Verpackung mit kräftigem Klebeband oder stabilen Schnüren, beachten Sie die Transporthinweise auf der Verpackung.
4. Originalverpackung und Schaumstoffmaterialien sollten zum zukünftigen Transport des Gerätes aufbewahrt werden.

Vor dem Einschalten

Beachten Sie Folgendes, bevor Sie Ihren Kühlschrank benutzen:

1. Bringen Sie die beiden Kunststoffkeile wie nachstehend abgebildet an. Die Kunststoffkeile sorgen für den nötigen Abstand zwischen Kühlschrank und Wand, damit die Luft frei zirkulieren kann. (Die Abbildung dient lediglich zur Orientierung und kann daher etwas von Ihrem Gerät abweichen.)



2. Bitte bringen Sie die beiden Kunststoffkeile wie in der Abbildung gezeigt an. Die Kunststoffkeile sorgen für den richtigen Abstand zwischen Kühlschrank und Wand - und damit für die richtige Luftzirkulation. (Die Abbildung dient lediglich zur Orientierung und muss nicht exakt mit Ihrem Gerät übereinstimmen.)
3. Reinigen Sie das Innere des Kühlschranks wie im Abschnitt „Wartung und Reinigung“ beschrieben.
4. Schließen Sie den Netzstecker des Kühlschranks an eine Steckdose an. Beim Öffnen der Tür leuchtet die Innenbeleuchtung auf.
5. Beim Anspringen des Kompressors sind Geräusche zu hören. Die Flüssigkeiten und Gase im Kühlsystem können auch leichte Geräusche erzeugen, wenn der Kompressor nicht läuft. Dies ist völlig normal.
6. Die Vorderkanten des Kühlgerätes können sich warm anfühlen. Dies ist normal. Diese Bereiche wärmen sich etwas auf, damit sich kein Kondenswasser bildet.

Elektrischer Anschluss

Schließen Sie das Gerät an eine geerdete (Schuko-) Steckdose an. Diese Steckdose muss mit einer passenden Sicherung abgesichert werden.

Wichtig:

- Der Anschluss muss gemäß lokaler Vorschriften erfolgen.
- Der Netzstecker muss nach der Installation frei zugänglich bleiben.
- Die elektrische Sicherheit des Gerätes ist nur dann gewährleistet, wenn das hausinterne Erdungssystem den zutreffenden Normen entspricht.
- Die auf dem Typenschild an der linken Innenwand des Gerätes angegebene Spannung muss mit Ihrer Netzspannung übereinstimmen.
- **Zum Anschluss dürfen keine Verlängerungskabel oder Mehrfachsteckdosen verwendet werden.**

⚠ Ein beschädigtes Netzkabel muss unverzüglich durch einen qualifizierten Elektriker ausgetauscht werden.

⚠ Das Gerät darf vor Abschluss der Reparaturen nicht mehr betrieben werden! Es besteht Stromschlaggefahr!

Verpackungsmaterialien entsorgen

Das Verpackungsmaterial kann eine Gefahr für Kinder darstellen. Halten Sie Verpackungsmaterialien von Kindern fern oder entsorgen Sie das Verpackungsmaterial gemäß gültigen Entsorgungsbestimmungen. Entsorgen Sie das Verpackungsmaterial über geeignete Sammelstellen (Ihre Stadtverwaltung informiert Sie gerne), nicht über den regulären Hausmüll.

Die Verpackung Ihres Gerätes wurde aus recyclingfähigen Materialien hergestellt.

Altgeräte entsorgen

Entsorgen Sie Altgeräte auf umweltfreundliche Weise.

- Bei Fragen zur richtigen Entsorgung wenden Sie sich bitte an Ihren Händler, an eine Sammelstelle oder an Ihre Stadtverwaltung.

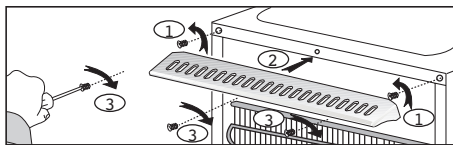
Bevor Sie das Gerät entsorgen, schneiden Sie den Netzstecker ab und machen die Türverschlüsse (sofern vorhanden) unbrauchbar, damit Kinder nicht in Gefahr gebracht werden.

Aufstellung und Installation

⚠ Falls die Tür des Raumes, in dem der Kühlschrank aufgestellt werden soll, nicht breit genug ist, wenden Sie sich an den autorisierten Kundendienst, lassen die Kühlschranktüren demontieren und befördern das Gerät seitlich durch die Tür.

1. Stellen Sie Ihren Kühlschrank an einer gut erreichbaren Stelle auf.
2. Platzieren Sie den Kühlschrank nicht in der Nähe von Wärmequellen oder dort, wo er Feuchtigkeit oder direktem Sonnenlicht ausgesetzt ist.
3. Damit das Gerät richtig arbeiten kann, müssen Sie ausreichend Platz um das Gerät herum freilassen, damit eine ordentliche Belüftung gewährleistet ist. Wenn Sie den Kühlschrank in einer Nische aufstellen, müssen Sie einen Abstand von mindestens 5 cm zur Decke und 5 cm zu den Wänden einhalten. Stellen Sie das Gerät nicht auf Materialien wie Teppichen oder Teppichböden auf.
4. Stellen Sie Ihren Kühlschrank auf einem ebenen Untergrund auf, damit er nicht wackelt.

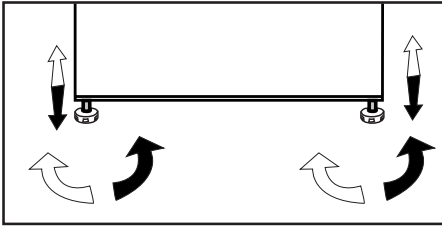
Wenn Ihrem Gerät das Lüftungsgitter beiliegt, installieren Sie das Gitter wie in gezeigt.



FüÙe einstellen

Wenn Ihr Kùhlschrank nicht absolut gerade steht:

Sie können den Kùhlschrank – wie in der Abbildung gezeigt – durch Drehen der FrontfüÙe ausbalancieren. Wenn Sie in Richtung des schwarzen Pfeils drehen, senkt sich die Ecke, an der sich der Fuß befindet. Beim Drehen in Gegenrichtung wird die Ecke angehoben. Diese Arbeit fällt erheblich leichter, wenn ein Helfer das Gerät etwas anhebt.



Remplacement de l'ampoule

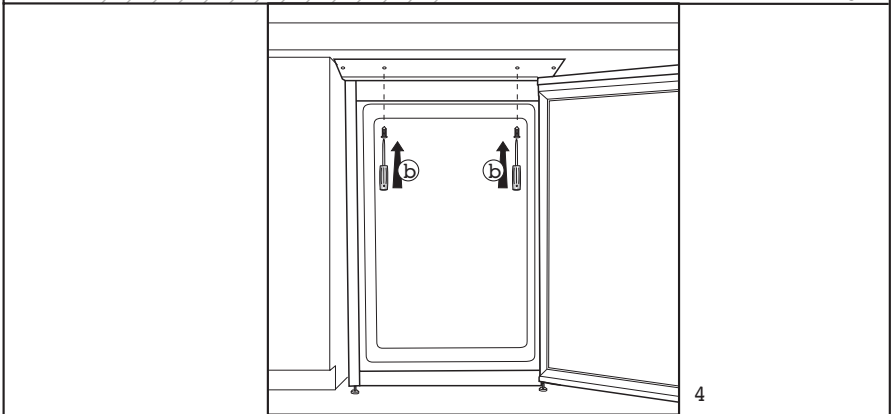
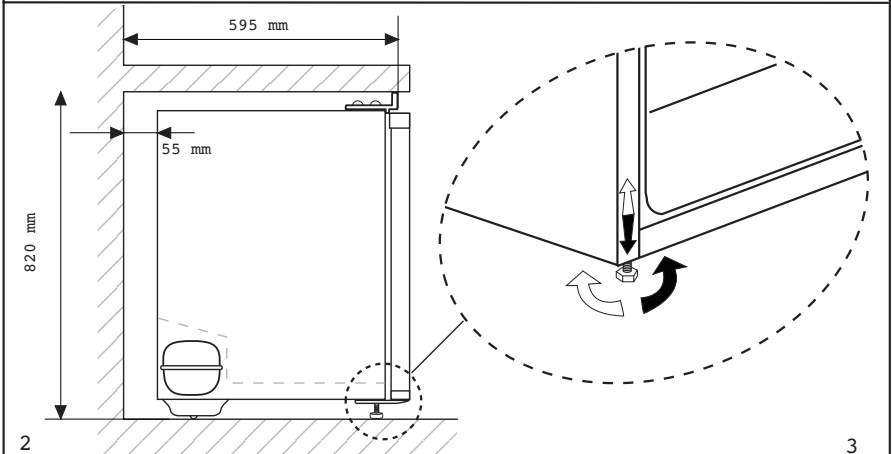
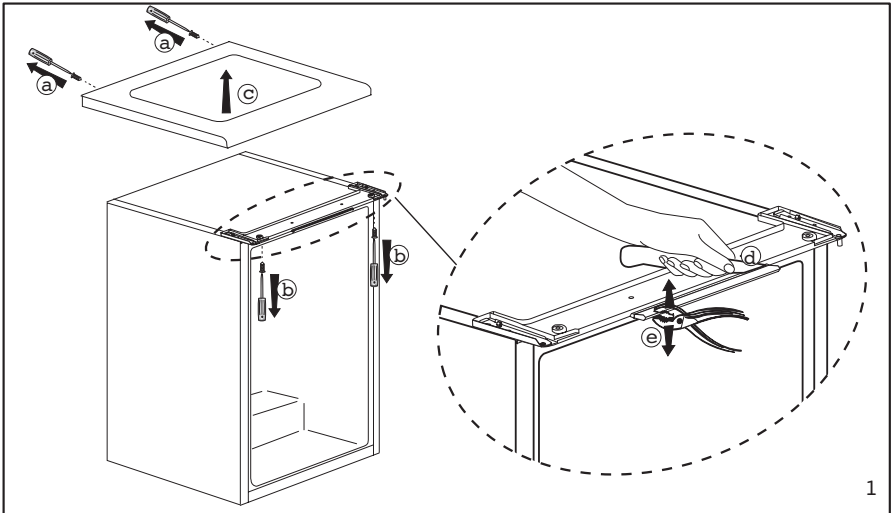
Pour remplacer la lampe LED du réfrigérateur, veuillez contacter le service après-vente agréé.

Les ampoules de cet appareil d'électroménager ne sont pas adaptées à une utilisation d'éclairage. L'utilisation recherchée de cette lampe est de permettre à l'utilisateur de placer confortablement et en sécurité les aliments dans le réfrigérateur / coffre.

Les voyants utilisés dans cet appareil doivent résister aux conditions physiques extrêmes telles que des températures inférieures à -20 °C.

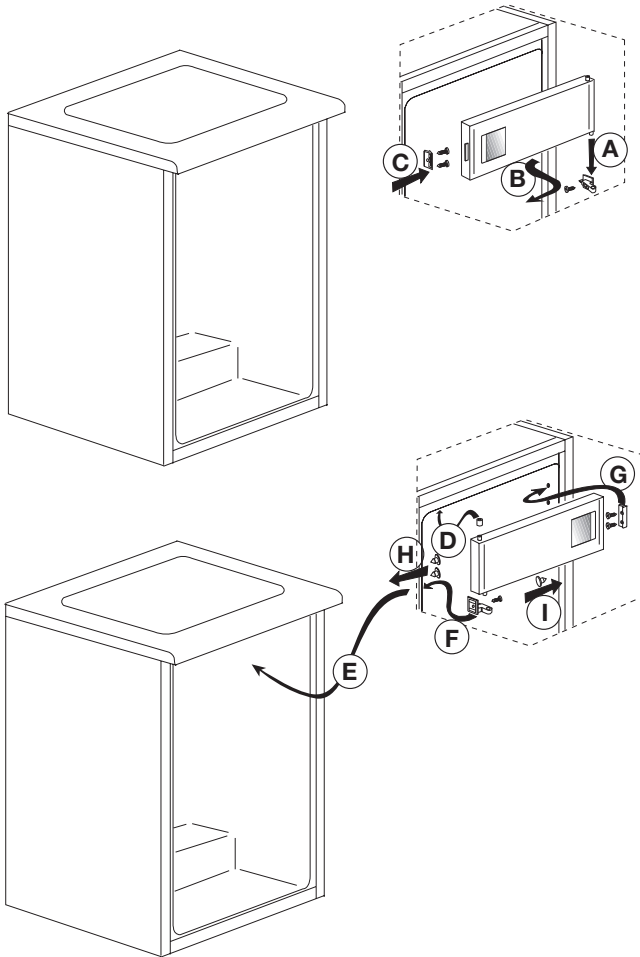
4 Vorbereitung

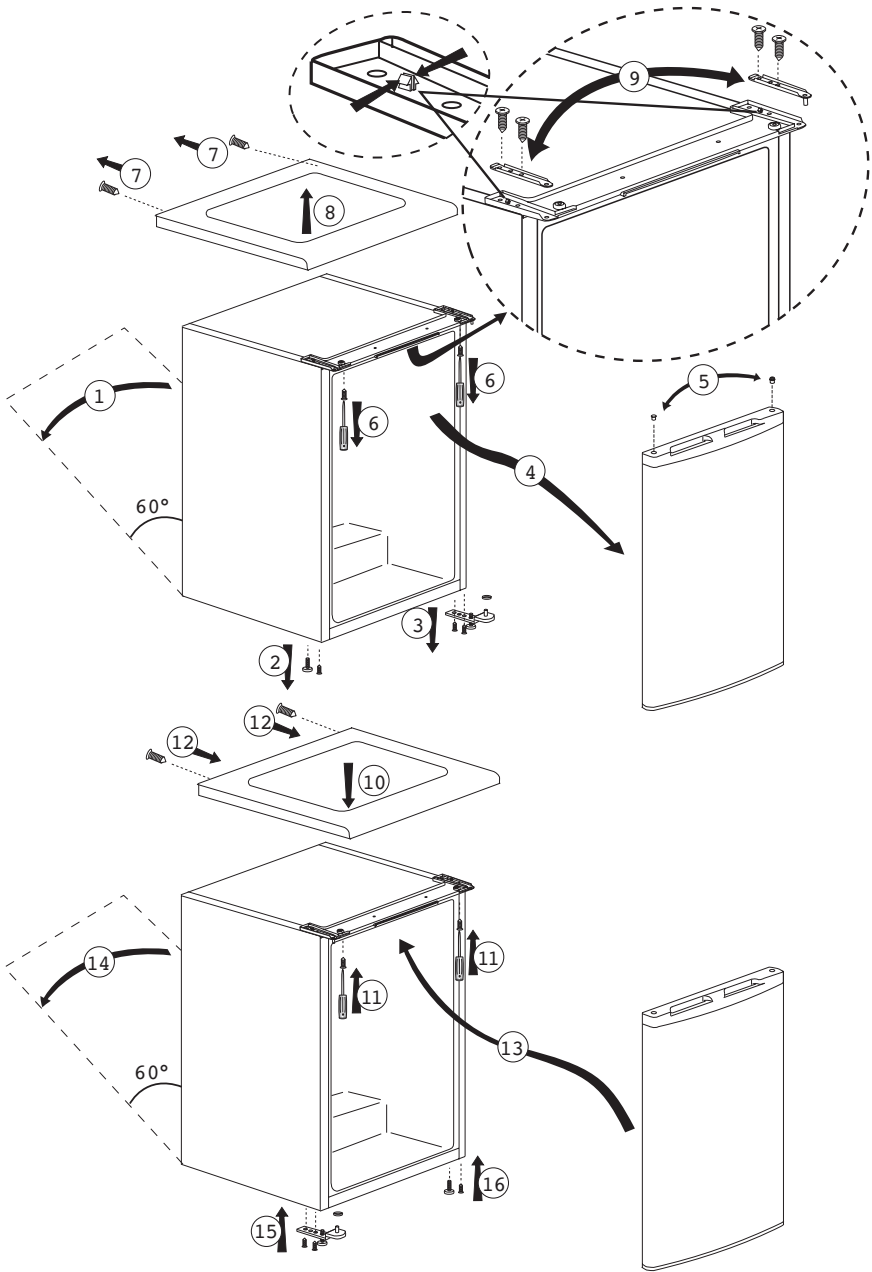
- Ihr Kühlschrank / Gefrierschrank sollte mindestens 30 cm von Hitzequellen wie Kochstellen, Öfen, Heizungen, Herden und ähnlichen Einrichtungen aufgestellt werden. Halten Sie mindestens 5 cm Abstand zu Elektroöfen ein, vermeiden Sie die Aufstellung im direkten Sonnenlicht.
- Die Zimmertemperatur des Raumes, in dem der Kühlschrank / Gefrierschrank aufgestellt wird, sollte mindestens 10 °C betragen. Im Hinblick auf den Wirkungsgrad ist der Betrieb des Kühlschrank / Gefrierschranks bei geringerer Umgebungstemperatur nicht ratsam.
- Sorgen Sie dafür, dass das Innere Ihres Kühlschrank / Gefrierschranks gründlich gereinigt wird.
- Falls zwei Kühlschränke nebeneinander platziert werden sollen, achten Sie darauf, dass sie mindestens 2 cm voneinander entfernt aufgestellt werden.
- Wenn Sie den Kühlschrank / Gefrierschrank zum ersten Mal in Betrieb nehmen, halten Sie sich bitte an die folgenden Anweisungen für die ersten sechs Betriebsstunden.
- Die Kühlschrank / Gefrierschrantür sollte nicht zu häufig geöffnet werden.
- Der Kühlschrank / Gefrierschrank muss zunächst vollständig leer arbeiten.
- Ziehen Sie nicht den Netzstecker. Falls der Strom ausfallen sollte, beachten Sie die Warnhinweise im Abschnitt „Empfehlungen zur Problemlösung“.
- Originalverpackung und Schaumstoffmaterialien sollten zum zukünftigen Transport des Gerätes aufbewahrt werden.
- Bei einigen Modellen schaltet sich das Armaturenbrett 5 Minuten nach dem Schließen der Tür automatisch ab. Es schaltet sich wieder an, wenn die Tür geöffnet wurde oder indem man auf einen beliebigen Schalter drückt.
- Temperaturschwankungen aufgrund des Öffnens/Schließens der Kühlschranktür können zur Kondensation an den Böden in der Tür und im Kühlschrankinnern sowie an den Glasbehältern führen.



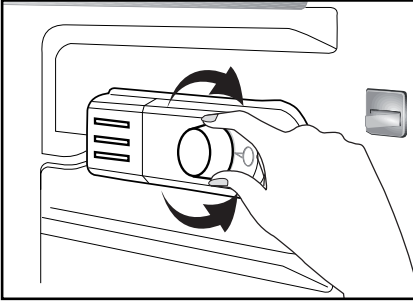
Türanschlag umkehren

Gehen Sie der Reihe nach vor.

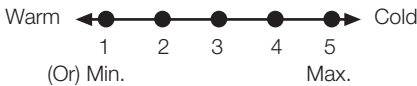




5 So bedienen Sie Ihren Kühlschrank/Gefrierschrank



Die Betriebstemperatur wird über die Temperatursteuerung reguliert.



1 = Schwächste Kühlung (wärmste Einstellung)

5 = Stärkste Kühlung (kälteste Einstellung)

(Oder)

Min. = Schwächste Kühlung (wärmste Einstellung)

Max. = Stärkste Kühlung (kälteste Einstellung)

Die Durchschnittstemperatur im Inneren des Kühlschranks / Gefrierschranks sollte bei etwa +4 °C liegen.

Empfohlene Position des Thermostatknopfes ist 4. Dies eignet sich für kalte Umgebungsbedingungen, z. B. bei 10 °C.

Bitte wählen Sie die der gewünschten Temperatur entsprechende Einstellung.

Sie können den Betrieb des Gerätes unterbrechen, indem Sie in den Thermostatknopf auf die Position „0“ einstellen.

Bitte beachten Sie, dass im Kühlbereich unterschiedliche Temperaturen herrschen.

Der kälteste Bereich befindet sich unmittelbar über dem Gemüsefach.

Die Innentemperatur hängt auch von der Umgebungstemperatur ab, außerdem davon, wie oft die Tür geöffnet wird und wie viel Lebensmittel im Inneren gelagert werden.

Beim häufigen Öffnen der Tür steigt die Innentemperatur an.

Aus diesem Grund empfehlen wir, die Tür möglichst schnell wieder zu schließen.

Einfrieren von Lebensmitteln

Der Gefrierbereich ist mit dem Symbol  gekennzeichnet.

In Ihrem Gerät können Sie frische Nahrungsmittel einfrieren und auch bereits gefrorene Lebensmittel lagern.

Bitte beachten Sie dazu die Empfehlungen auf der Verpackung der Lebensmittel.

• Achtung

Frieren Sie keine kohlenstoffhaltigen Getränke ein: Die Flaschen können beim Einfrieren platzen.

Beachten Sie das Typenschild.

Um eine hohe Qualität der Lebensmittel zu bewahren, müssen Nahrungsmittel so schnell wie möglich eingefroren werden.

•Achtung

Trennen Sie bereits gefrorene Lebensmittel grundsätzlich von Nahrungsmitteln, die gerade erst in des Kühlgerät gegeben wurden.

Beim Einfrieren heißer Speisen arbeitet der Kompressor so lange, bis die Lebensmittel komplett gefroren sind. Dies kann vorübergehend zu einer stärkeren Abkühlung des Kühlbereiches führen.

Machen Sie sich keine Sorgen, wenn sich die Kühlschrank / Gefrierschranktür kurz nach dem Schließen nur mit Mühe öffnen lassen sollte. Dies liegt daran, dass sich die Druckunterschiede zwischen Innenraum und Umgebung erst einmal ausgleichen müssen. Nach ein paar Minuten lässt sich die Tür ganz normal öffnen.

Nach dem Schließen der Tür hören Sie ein Vakuumgeräusch. Dies ist völlig normal.

Herstellung von Eiswürfeln

Füllen Sie die Eiswürfelschale zu etwa 3/4 mit Wasser und stellen Sie diese ins Tiefkühlfach.

Sobald sich das Wasser in Eis verwandelt hat, können Sie die Eiswürfel herausnehmen.

Benutzen Sie niemals scharfe Gegenstände wie Messer oder Gabeln zum Herauslösen der Eiswürfel. Es besteht Verletzungsgefahr!

Lassen Sie die Eiswürfel lieber etwas antauen oder tauchen Sie den Boden der Schale einen Moment lang in heißes Wasser.

Lagerung von Tiefkühlkost

Der Tiefkühlbereich ist mit dem Symbol (***) gekennzeichnet.

Im Tiefkühlbereich können Sie vorgefrorene Lebensmittel lagern. Die Lagerungsempfehlungen auf der Lebensmittelverpackung sollten immer eingehalten werden.

Gerät abtauen

Übermäßige Eisbildung kann sich negativ auf die Gefrierleistung Ihres Gerätes auswirken.

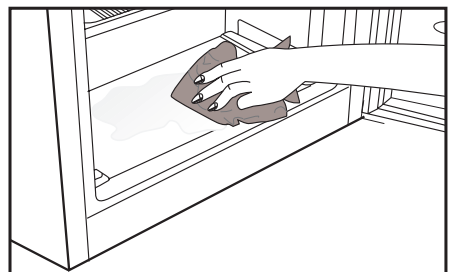
Daher empfehlen wir Ihnen, das Gerät mindestens zweimal pro Jahr abzutauen - oder wenn die Eisschicht eine Stärke von 7 mm überschreitet.



Tauen Sie das Gerät ab, wenn sich keine oder nur wenige Lebensmittel darin befinden.

Nehmen Sie tiefgefrorene Lebensmittel heraus. Wickeln Sie das Gefriergut in mehrere Lagen Papier oder in ein Handtuch ein und lagern Sie es an einem kühlen Ort.

Zum Abtauen des Gerätes ziehen Sie den Netzstecker oder schalten die Sicherung aus.

Nehmen Sie Zubehörteile (wie Ablagen, Schubladen, usw.) aus dem Gerät heraus und fangen Sie das Tauwasser mit einem geeigneten Behälter auf.



Sofern nötig, entfernen Sie Tauwasser mit einem Schwamm oder einem weichen Tuch aus dem Tiefkühlfach  und Gefrierfach .

Lassen Sie die Tür während des Abtauvorgangs offen stehen.

Wenn Sie den Abtauvorgang beschleunigen möchten, stellen Sie ein paar Schüsseln mit warmem Wasser in das Gerät.

Verwenden Sie niemals Elektrogeräte, Abtausprays oder spitze oder scharfkantige Gegenstände wie Messer oder Gabeln zum Entfernen des Eises.

Reinigen Sie den Innenraum nach dem Abtauen.

Schließen Sie das Gerät wieder an die Stromversorgung an. Legen Sie das Gefriergut in die Schubladen, schieben Sie die Schubladen in das Kühlgerät ein.

Kühlen

Lagern von Lebensmitteln

Der Kühlbereich ist für die kurzfristige Lagerung von frischen Lebensmitteln und Getränken vorgesehen.

Lagern Sie Milchprodukte im dafür vorgesehenen Bereich des Kühlschranks / Gefrierschranks.

Flaschen können Sie im Flaschenhalter oder in der Flaschenablage der Tür aufbewahren.

Rohes Fleisch geben Sie am besten in einen Polyethylen-Beutel (PE) und

lagern es im untersten Bereich des Kühlschranks / Gefrierschranks.

Lassen Sie heiße Speisen und Getränke immer erst auf Raumtemperatur abkühlen, bevor Sie diese in den Kühlschrank / Gefrierschrank stellen.

• **Achtung**

Lagern Sie hochprozentigen Alkohol nur aufrecht stehend und fest verschlossen in einem geeigneten Behälter.

• **Achtung**

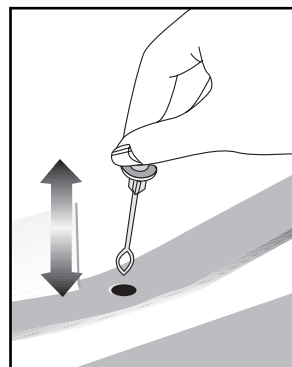
Lagern Sie keine explosiven Substanzen oder Behälter mit brennbaren Treibgasen (Sprühsahne, Sprühdosen, usw.) im Kühlgerät.

Es besteht Explosionsgefahr.

Gerät abtauen

Der Kühlbereich taut automatisch ab. Das Tauwasser fließt durch den Abflusskanal in einen Sammelbehälter an der Rückseite des Gerätes.

Beim Abtauen bilden sich durch Verdunstung Wassertröpfchen an der Rückwand des Kühlschranks / Gefrierschranks.



Falls die Tropfen nicht komplett ablaufen, können sie nach dem Abtauen wieder gefrieren. Entfernen Sie sie mit einem weichen Tuch, das Sie mit warmem Wasser angefeuchtet haben. Benutzen Sie keine harten oder scharfen Gegenstände.

Kontrollieren Sie den Tauwasserfluss von Zeit zu Zeit. Dieser kann gelegentlich zum Stocken kommen. Reinigen Sie es mit einem Pfeifenreiniger oder ähnlichem

6 **Wartung und Reinigung**

- ⚠** Verwenden Sie zu Reinigungszwecken niemals Benzin oder ähnliche Substanzen.
- ⚠** Wir empfehlen, vor dem Reinigen den Netzstecker zu ziehen.
- i** Verwenden Sie zur Reinigung niemals scharfe Gegenstände, Seife, Haushaltsreiniger, Waschmittel oder Wachspolituren.
- i** Bei nicht eisfreien Geräten bilden sich Wassertropfen an der Rückwand des Kühlfaches, die zu einer fingerdicken Eisschicht gefrieren können. Nicht beseitigen, nicht reinigen, niemals Öl oder andere Mittel auftragen.
- i** Reinigen Sie die Außenflächen des Gerätes nur mit einem leicht angefeuchteten Mikrofaser Tuch. Schwämme und andere Reinigungshilfen können die Oberfläche verkratzen.
- i** Reinigen Sie das Gehäuse des Gerätes mit lauwarmem Wasser, wischen Sie die Flächen danach trocken.
- ⚠** Zur Reinigung des Innenraums verwenden Sie ein feuchtes Tuch, das Sie in eine Lösung aus 1 Teelöffel Natron und einem halben Liter Wasser getaucht und ausgewrungen haben. Nach dem Reinigen wischen Sie den Innenraum trocken.
- ⚠** Achten Sie darauf, dass kein Wasser in das Lampengehäuse oder andere elektrische Komponenten eindringt.
- ⚠** Wenn Ihr Kühlgerät längere Zeit nicht benutzt wird, ziehen Sie den Netzstecker, nehmen alle Lebensmittel heraus, reinigen das Gerät und lassen die Türe geöffnet.
- i** Kontrollieren Sie die Türdichtungen regelmäßig, um sicherzustellen, dass diese sauber und frei von Speiseresten sind.
- i** Zum Entfernen einer Türablage räumen Sie sämtliche Gegenständen aus der Ablage und schieben diese dann nach oben heraus.
- i** Verwenden Sie zur Reinigung der Außenflächen und Chrombeschichteten Produktteile niemals Reinigungsmittel oder Wasser, die/das Chlor enthält. Chlor lässt Metalloberflächen korrodieren.
- i** Verwenden Sie keine spitzen oder scheuernde Gegenstände, Seifen, Reinigungsmittel bzw. Chemikalien, sowie auch kein Benzin, keine Benzole bzw. Wachse usw. Andernfalls werden die Einprägungen auf den Plasteteilen möglicherweise beschädigt oder deformiert. Verwenden Sie warmes Wasser und einen weichen Lappen zum anschließenden Trockenreiben.

Schutz der Kunststoffflächen

- i** Geben Sie keine Öle oder stark fetthaltige Speisen offen in Ihren Kühlschrank / Gefrierschrank - dadurch können die Kunststoffflächen angegriffen werden. Sollten die Plastikoberflächen einmal mit Öl in Berührung kommen, so reinigen Sie die entsprechend Stellen umgehend mit warmem Wasser.

7 Empfehlungen zur Problemlösung

Bitte arbeiten Sie diese Liste durch, bevor Sie den Kundendienst anrufen. Das kann Ihnen Zeit und Geld sparen. In der Liste finden Sie häufiger auftretende Probleme, die nicht auf Verarbeitungs- oder Materialfehler zurückzuführen sind. Nicht alle hier beschriebenen Funktionen sind bei jedem Modell verfügbar.

Der Kühlschrank / Gefrierschrank arbeitet nicht.

- Ist der Kühlschrank / Gefrierschrank richtig angeschlossen? Stecken Sie den Netzstecker in die Steckdose.
- Ist die entsprechende Haussicherung herausgesprungen oder durchgebrannt? Überprüfen Sie die Sicherung.

Kondensation an den Seitenwänden des Kühlbereiches. (Multizone, Kühlkontrolle und FlexiZone)

- Sehr geringe Umgebungstemperaturen. Häufiges Öffnen und Schließen der Tür. Sehr feuchte Umgebung. Offene Lagerung von feuchten Lebensmitteln. Tür nicht richtig geschlossen. Kühlere Thermostateinstellung wählen.
- Türen kürzer geöffnet halten oder seltener öffnen.
- Offene Behälter abdecken oder mit einem geeigneten Material einwickeln.
- Kondensation mit einem trockenen Tuch entfernen und überprüfen, ob diese erneut auftritt.

Der Kompressor läuft nicht

- Eine Schutzschaltung stoppt den Kompressor bei kurzzeitigen Unterbrechungen der Stromversorgung und wenn das Gerät zu oft und schnell ein- und ausgeschaltet wird, da der Druck des Kühlmittels eine Weile lang ausgeglichen werden muss. Ihr Kühlschrank / Gefrierschrank beginnt nach etwa sechs Minuten wieder zu arbeiten. Bitte wenden Sie sich an den Kundendienst, falls Ihr Kühlschrank / Gefrierschrank nach Ablauf dieser Zeit nicht wieder zu arbeiten beginnt.
- Der Kühlschrank / Gefrierschrank taut ab. Dies ist bei einem vollautomatisch abtauenden Kühlschrank / Gefrierschrank völlig normal. Das Gerät taut von Zeit zu Zeit ab.
- Der Netzstecker ist nicht eingesteckt. Überprüfen Sie, ob das Gerät richtig angeschlossen ist.
- Stimmen die Temperatureinstellungen?
- Eventuell ist der Strom ausgefallen.

Der Kühlschrank / Gefrierschrank arbeitet sehr intensiv oder über eine sehr lange Zeit.

- Ihr neues Gerät ist vielleicht etwas breiter als sein Vorgänger. Dies ist völlig normal. Große Kühlgeräte arbeiten oft längere Zeit.
- Die Umgebungstemperatur ist eventuell sehr hoch. Dies ist völlig normal.
- Das Kühlgerät wurde möglicherweise erst vor kurzem in Betrieb genommen oder mit Lebensmitteln gefüllt. Es kann einige Stunden länger dauern, bis der Kühlschrank / Gefrierschrank seine Arbeitstemperatur erreicht hat.
- Kurz zuvor wurden größere Mengen warmer Speisen im Kühlschrank / Gefrierschrank eingelagert. Heiße Speisen führen dazu, dass der Kühlschrank / Gefrierschrank etwas länger arbeiten muss, bis die geeignete Temperatur zur sicheren Lagerung erreicht ist.
- Türen wurden häufig geöffnet oder längere Zeit nicht richtig geschlossen. Der Kühlschrank / Gefrierschrank muss länger arbeiten, weil warme Luft in den Innenraum eingedrungen ist. Öffnen Sie die Türen möglichst selten.
- Die Tür des Kühl- oder Tiefkühlbereichs war nur angelehnt. Vergewissern Sie sich, dass die Türen richtig geschlossen wurden.
- Die Kühlschrank / Gefrierschranktemperatur ist sehr niedrig eingestellt. Stellen Sie die Kühlschrank / Gefrierschranktemperatur höher ein und warten Sie, bis die gewünschte Temperatur erreicht ist.
- Die Türdichtungen von Kühl- oder Gefrierbereich sind verschmutzt, verschlissen, beschädigt oder sitzen nicht richtig. Reinigen oder ersetzen Sie die Dichtung. Beschädigte oder defekte Dichtungen führen dazu, dass der Kühlschrank / Gefrierschrank länger arbeiten muss, um die Temperatur halten zu können.

Die Temperatur im Tiefkühlbereich ist sehr niedrig, während die Temperatur im Kühlbereich normal ist.

- Die Tiefkühltemperatur ist sehr niedrig eingestellt. Stellen Sie die Gefrierfachtemperatur wärmer ein und prüfen Sie.

Die Temperatur im Kühlbereich ist sehr niedrig, während die Temperatur im Tiefkühlbereich normal ist.

- Die Kühltemperatur ist eventuell sehr niedrig eingestellt. Stellen Sie die Kühlbereichtemperatur wärmer ein und prüfen Sie.

Im Kühlbereich gelagerte Lebensmittel frieren ein.

- Die Kühltemperatur ist eventuell sehr niedrig eingestellt. Stellen Sie die Kühlbereichtemperatur wärmer ein und prüfen Sie.

Die Temperatur im Kühl- oder Tiefkühlbereich ist sehr hoch.

- Die Temperatur des Kühlbereichs ist eventuell sehr hoch eingestellt. Die Einstellung des Kühlbereichs beeinflusst die Temperatur im Tiefkühlbereich. Stellen Sie den Kühl- oder Tiefkühlbereich auf die gewünschte Temperatur ein.
- Türen wurden häufig geöffnet oder längere Zeit nicht richtig geschlossen; weniger häufig öffnen.
- Die Tür wurde eventuell nicht richtig geschlossen; Tür richtig schließen.
- Kurz zuvor wurden größere Mengen warmer Speisen im Kühlschrank / Gefrierschrank eingelagert. Warten Sie, bis der Kühl- oder Tiefkühlbereich die gewünschte Temperatur erreicht.
- Der Kühlschrank / Gefrierschrank war kurz zuvor von der Stromversorgung getrennt. Ihr Kühlschrank / Gefrierschrank braucht einige Zeit, um sich auf die gewünschte Temperatur abzukühlen.

Das Betriebsgeräusch nimmt zu, wenn der Kühlschrank / Gefrierschrank arbeitet.
<ul style="list-style-type: none"> • Das Leistungsverhalten des Kühlgerätes kann sich je nach Umgebungstemperatur ändern. Dies ist völlig normal und keine Fehlfunktion.
Vibrationen oder Betriebsgeräusche.
<ul style="list-style-type: none"> • Der Boden ist nicht eben oder nicht fest. Der Kühlschrank / Gefrierschrank wackelt, wenn er etwas bewegt wird. Achten Sie darauf, dass der Boden eben ist und das Gewicht des Kühlschrank / Gefrierschranks problemlos tragen kann. • Das Geräusch kann durch auf dem Kühlschrank / Gefrierschrank abgestellte Gegenstände entstehen. Nehmen Sie abgestellte Gegenstände vom Kühlschrank / Gefrierschrank herunter.
Fließ- oder Spritzgeräusche sind zu hören.
<ul style="list-style-type: none"> • Aus technischen Gründen bewegen sich Flüssigkeiten und Gase innerhalb des Gerätes. Dies ist völlig normal und keine Fehlfunktion.
Windähnliche Geräusche sind zu hören.
<ul style="list-style-type: none"> • Zum gleichmäßigen Kühlen werden Ventilatoren eingesetzt. Dies ist völlig normal und keine Fehlfunktion.
Kondensation an den Kühlschrank / Gefrierschranksinnenflächen.
<ul style="list-style-type: none"> • Bei heißen und feuchten Wetterlagen tritt verstärkt Eisbildung und Kondensation auf. Dies ist völlig normal und keine Fehlfunktion. • Die Türen wurden eventuell nicht richtig geschlossen; Türen komplett schließen. • Türen wurden häufig geöffnet oder längere Zeit nicht richtig geschlossen; weniger häufig öffnen.

Feuchtigkeit sammelt sich an der Außenseite des Kühlschrank / Gefrierschranks oder an den Türen.
<ul style="list-style-type: none"> • Eventuell herrscht hohe Luftfeuchtigkeit; dies ist je nach Wetterlage völlig normal. Die Kondensation verschwindet, sobald die Feuchtigkeit abnimmt.
Unangenehmer Geruch im Kühlschrank / Gefrierschranksinnenraum.
<ul style="list-style-type: none"> • Das Innere des Kühlschrank / Gefrierschranks muss gereinigt werden. Reinigen Sie das Innere des Kühlschrank / Gefrierschranks mit einem Schwamm, den Sie mit lauwarmem oder kohlenensäurehaltigem Wasser angefeuchtet haben. • Bestimmte Behälter oder Verpackungsmaterialien verursachen den Geruch. Verwenden Sie andere Behälter oder Verpackungsmaterial einer anderen Marke.
Die Tür wurde nicht richtig geschlossen.
<ul style="list-style-type: none"> • Lebensmittelpackungen verhindern eventuell das Schließen der Tür. Entfernen Sie die Verpackungen, welche die Tür blockieren. • Der Kühlschrank / Gefrierschrank steht nicht mit sämtlichen Füßen fest auf dem Boden und schaukelt bei kleinen Bewegungen. Stellen Sie die Höheneinstellschrauben ein. • Der Boden ist nicht eben oder nicht stabil genug. Achten Sie darauf, dass der Boden eben ist und das Gewicht des Kühlschrank / Gefrierschranks problemlos tragen kann.
Das Gemüsefach klemmt.
<ul style="list-style-type: none"> • Die Lebensmittel berühren eventuell den oberen Teil der Schublade. Ordnen Sie die Lebensmittel in der Schublade anders an.

Gelieve eerst deze gebruiksaanwijzing te lezen!

Beste klant,

We hopen dat uw product, dat in een moderne fabriek werd geproduceerd en onder de meest nauwkeurige procedures voor kwaliteitscontrole werd gecontroleerd, u doeltreffend van dienst zal zijn.

Wij bevelen daarom aan dat u eerst zorgvuldig de volledige gebruiksaanwijzing van uw product leest voordat u het product gaat gebruiken. Bewaar de handleiding voor toekomstige raadpleging.




Deze gebruiksaanwijzing

- Helpt u uw toestel snel en veilig te gebruiken.
- Lees de gebruiksaanwijzing voordat u het product installeert en gebruikt.
- Volg de instructies, in het bijzonder die met betrekking tot veiligheid.
- Bewaar de gebruiksaanwijzing op een eenvoudig toegankelijke plaats aangezien u deze later nodig kunt hebben.
- Daarnaast dient u ook de andere documenten die bij uw product worden geleverd te lezen.

Let erop dat deze gebruiksaanwijzing ook voor andere modellen kan gelden.

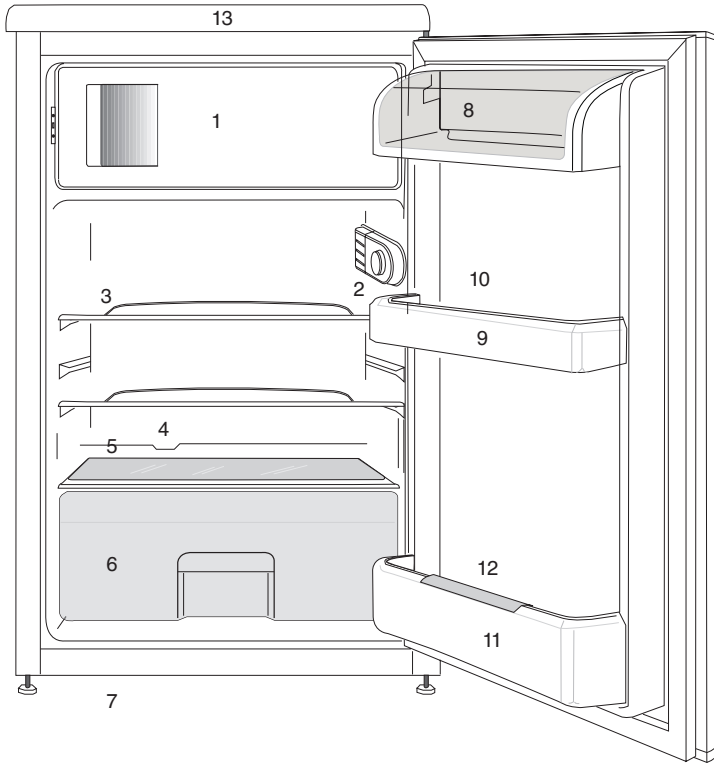
Symbolen en hun beschrijvingen

Deze instructiehandleiding bevat de volgende symbolen:

-  Belangrijke informatie of nuttige gebruikstips.
-  Waarschuwing tegen gevaarlijke omstandigheden voor leven en eigendommen.
-  Waarschuwing tegen elektrische spanning.

1 Uw koelkast	4	6 Onderhoud en reiniging	20
2 Belangrijke Veiligheids- en omgevingsinstructies	5	Bescherming van de plastic oppervlakken	20
3 Installatie	10	7 Fouten opsporen	21
Punten waarop gelet moet worden bij de verplaatsing van een koelkast	10		
Voordat u de koelkast inschakelt,	10		
Elektrische aansluiting	10		
Afvoeren van de verpakking.....	11		
Afvoeren van uw oude koelkast	11		
Plaatsing en installatie.....	11		
Het vervangen van de lamp	12		
De deuren omkeren.....	13		
4 Voorbereiding	16		
5 Gebruik van uw koelkast	17		
Knop om thermostaat in te stellen ...	17		
Koelen.....	17		
Diepvriezen.....	18		
Ontdooien	18		
Uw product uitschakelen	19		

1 Uw koelkast



1. a.) Invriesvak & ijsblokjesvorm (voor **✳***** modellen) b) Vak voor diepvriesproducten & ijsblokjesvorm (voor **✳✳** modellen)
2. Binnenlampje & Thermostaatknop
3. Verplaatsbare schappen
4. Afvoerkanaal dooiwater - afvoerpijp
5. Deksel groentelade
6. Groentelade
7. Luchtrooster
8. Boter- & kaasdeel
9. Deurschappen
10. Eierrekken
11. Flessenrek
12. Flessengrijper
13. Afsluiting bovenkant

*** Is mogelijk niet beschikbaar in alle modellen**

ⓘ De afbeeldingen in deze gebruiksaanwijzing zijn schematisch en hoeven niet exact met uw product overeen te komen. Wanneer onderdelen niet tot het product behoren dat u hebt gekocht, gelden deze voor andere modellen.

2 Belangrijke Veiligheids- en omgevingsinstructies

Deze sectie bevat de noodzakelijke veiligheidsinstructies om risico op letsels of materiële schade te vermijden. Het niet naleven van deze instructies resulteert in de nietigverklaring van alle mogelijke productgaranties.

Bedoeld gebruik

WAARSCHUWING:

Indien het apparaat in zijn beschermingskap is of geplaatst is, zorg ervoor dat de ventilatieopeningen niet gedekt zijn.

WAARSCHUWING:

Gebruik geen mechanische apparaten of andere apparaten behalve apparaten welke door de producent worden geadviseerd om het proces voor ontdooien te versnellen.

WAARSCHUWING:

Beschadig koelmiddelstroom circuit niet.

WAARSCHUWING:

Gebruik geen elektrische apparaten welke niet aanbevolen worden door de producent binnen de opslag ruimten voor voedsel.

WAARSCHUWING:

Bewaar geen explosieve stoffen, zoals spuitbussen met een ontvlambaar drijfgas, in dit apparaat.

Dit apparaat is ontworpen om huiselijk gebruik of bij onderstaande soortgelijke gevallen gebruikt te worden.

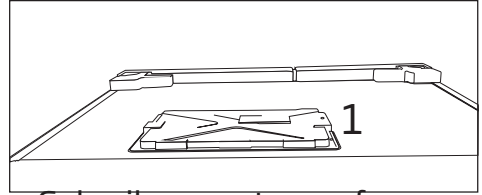
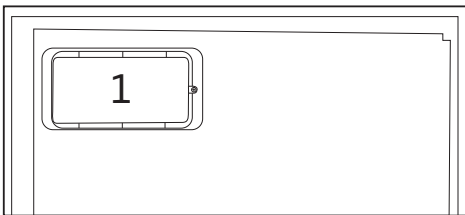
- Voor het gebruik in personeel keukens bij winkels, bureaus en overige werkplaatsen;
- Voor het gebruik door klanten bij boerderijen en hotels, motels en overige plaatsen waar klanten kunnen verblijven;

1.1. Algemene veiligheid

- Dit product mag niet worden gebruikt door personen met fysieke, gevoelsmatige en mentale handicaps, door personen met onvoldoende kennis en ervaring of door kinderen. Het apparaat mag enkel worden gebruikt door dergelijke personen als ze onder toezicht en instructies staan van een persoon die verantwoordelijk is voor hun veiligheid. Kinderen mogen niet met dit apparaat spelen.
- Als er een defect optreedt, moet u de stekker verwijderen uit het stopcontact.
- Nadat u de stekker hebt verwijderd, moet u 5 minuten wachten voor u hem opnieuw in het stopcontact voert.



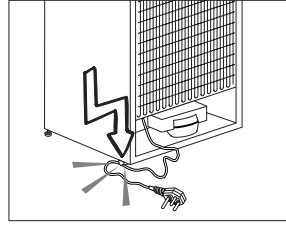
- Verwijder de stekker van het product uit het stopcontact als u het niet gebruikt.
- U mag het product niet aanraken met natte handen! Trek niet aan het netsnoer maar houd het steeds vast bij de stekker.
- U mag de stekker van de koelkast niet invoeren als het stopcontact los zit.
- Verwijder de stekker uit het stopcontact tijdens de installatie, onderhoudswerken, reiniging en reparaties.
- Als u het product gedurende een lange periode niet gebruikt, moet u de stekker van het product uit het stopcontact verwijderen en alle etenswaren verwijderen.
- Gebruik het product niet als het compartiment met circuitkaarten op het bovenste deel achteraan van het product (elektrische kaart doos deksel) (1) open is.



- Gebruik geen stoom of stoomreinigers om de koelkast te reinigen en het ijs te smelten. Stoom kan in contact komen met de geëlektrificeerde zones en kortsluitingen of elektrische schokken veroorzaken!
- U mag het product niet reinigen door er water op te verstuiven of te gieten! Gevaar van elektrische schokken!
- Als er een defect optreedt, mag u het product niet gebruiken want dit kan elektrische schokken veroorzaken. Neem contact op met de geautoriseerde dienst voor u iets doet.
- Voer de stekker in een geaard stopcontact. De aarding moet worden uitgevoerd door een gekwalificeerde elektricien.
- Als het product voorzien is van een LED-type verlichting moet u contact opnemen met de geautoriseerde dienstverlening om het te vervangen als er een probleem optreedt.
- Raak geen bevroren goederen aan met natte handen! Ze kunnen blijven plakken aan uw handen!

- Plaats geen vloeistoffen in flessen en blikjes in het vriesvak. Deze kunnen namelijk barsten!
- Plaats vloeistoffen rechtop nadat u het deksel stevig hebt gesloten.
- U mag geen ontvlambare stoffen in de buurt van het product verstuiven want deze kunnen branden of ontploffen.
- Bewaar geen ontvlambaar materiaal en producten met ontvlambaar gas (sprays, etc.) in de koelkast.
- Plaats geen containers met vloeistof bovenop het product. Water spatten op een geëlektrificeerd onderdeel kan elektrische schokken veroorzaken en fataal aflopen.
- Het product blootstellen aan regen, sneeuw, zonlicht en wind veroorzaakt elektrisch gevaar. Als u het product verplaatst, mag u er niet aan trekken bij het handvat. Het handvat kan los komen.
- Zorg ervoor uw handen of lichaam niet te klemmen in een van de bewegende delen van het product.
- U mag niet stappen of leunen op de deur, laden of gelijkaardige delen van de koelkast. Dit kan er toe leiden dat het product valt en het kan schade veroorzaken aan de onderdelen.

- Let erop het netsnoer niet te klemmen.



1.1.1 HC waarschuwing

Als het product voorzien is van een koelsysteem met R600 gas moet u er op letten het koelsysteem en de leiding niet te beschadigen wanneer u het product gebruikt of verplaatst. Dit gas is ontvlambaar. Als het koelsysteem beschadigd is, moet u het product uit te buurt van brandhaarden houden en de ruimte onmiddellijk ventileren.



Het label links aan de binnenzijde geeft het type gas aan dat in het product wordt gebruikt.

1.1.2 Voor modellen met een waterfontein

- De druk van de koud waterinlaat mag maximum 90psi (6,2 bar) bedragen. Als uw waterdruk hoger is dan 80psi (5,5 bar) moet u een drukbegrenzer gebruiken in uw netwerk. Als u niet weet hoe u uw waterdruk kunt controleren, moet u hulp vragen van een professionele loodgieter.

- Als het risico bestaat op een waterslageffect in uw installatie moet u altijd een waterslag preventie apparatuur installeren. Raadpleeg een professionele loodgieter als u niet zeker bent of er een waterslageffect aanwezig is in uw installatie.
- Installeer deze niet op de warme waterinlaat. Neem de nodige maatregelen tegen het bevriezen van de leidingen. De watertemperatuur bedrijfsinterval moet minimum 33°F (0,6°C) en maximum 100°F (38°C) zijn.
- Gebruik enkel drinkwater.

1.2. Bedoeld gebruik

- Dit product is ontworpen voor huishoudelijk gebruik. Het is niet bedoeld voor commercieel gebruik.
- Het product mag enkel worden gebruikt om etenswaren en dranken op te slaan.
- U mag geen gevoelige producten bewaren die een gecontroleerde temperatuur vereisen (vaccins, warmtegevoelige medicatie, medische producten, etc.) in de koelkast.
- De fabrikant aanvaardt geen verantwoordelijkheid voor eventuele schade als het gevolg van misbruik of een incorrecte hantering.

- Originele reserveonderdelen worden geleverd gedurende een periode van 10 jaar vanaf de product aankoopdatum.

1.3. Kinderveiligheid

- Houd de verpakking uit de buurt van kinderen.
- Laat kinderen nooit spelen met het product.
- Als de deur van het product voorzien is van een slot moet u ze uit de buurt van kinderen houden.

1.4. Conformiteit met de WEEE-richtlijn en Verwijdering van afvalproducten

Dit product is conform met de EU WEEE-richtlijn (2012/19/EU). Dit product draagt een classificatiesymbool voor afval elektrische en elektronische apparatuur (WEEE).



Dit product werd vervaardigd met kwalitatief hoogstaande onderdelen en materialen die opnieuw kunnen worden gebruikt en die geschikt zijn voor recycling. U mag het afvalproduct niet verwijderen met het normale huishoudelijke en andere afval aan het einde van de levensduur. Breng het naar een inzamelcentrum voor de recycling van elektrische en elektronische apparatuur. Raadpleeg uw lokale autoriteiten voor meer informatie over deze inzamelcentra.


1.5. Conformiteit met de RoHS-richtlijn

- Dit product is conform met de EU WEEE-richtlijn (2011/65/EU). Het bevat geen schadelijk en verboden materiaal zoals gespecificeerd in de Richtlijn.

1.6. Informatie op de verpakking

- Het verpakkingsmateriaal van het product is gefabriceerd van recyclebaar materiaal in overeenstemming met onze Nationale Milieuwetgeving. U mag het verpakkingsmateriaal niet samen met het huishoudelijke of ander afval weggooien. Breng het naar de inzamelpunten voor verpakkingsmateriaal aangewezen door de lokale autoriteiten.

3 Installatie

 Indien de informatie die in deze gebruikershandleiding wordt gegeven, niet wordt opgevolgd, is de fabrikant in geen geval aansprakelijk.

Punten waarop gelet moet worden bij de verplaatsing van een koelkast

1. Uw koelkast moet van de stroom zijn afgesloten. Voor het vervoer van uw koelkast moet deze leeg zijn gemaakt en gereinigd.
2. Voordat deze wordt verpakt, moeten schappen, accessoires, groentelade, enz. in de koelkast worden vastgemaakt met tape en beschermd zijn tegen stoten. De verpakking dient met dikke tape of geschikt touw worden ingebonden en de vervoerregels op de verpakking dienen strikt te worden nageleefd.
3. Originele verpakking en schuimmaterialen moeten worden bewaard voor toekomstig transport of verhuizen.

Voordat u de koelkast inschakelt,

Controleer het volgende voordat u uw koelkast gaat gebruiken:

1. Bevestig 2 plastic wiggen zoals hieronder afgebeeld. Plastic wiggen zijn bedoeld om afstand te houden, om zo een luchtcirculatie te behouden tussen uw koelkast en de muur. (De afbeelding is slechts een schets en is niet gelijk aan uw product.)
2. Maak de binnenkant van de koelkast schoon, zoals aanbevolen in het hoofdstuk "Onderhoud en reiniging".
3. Sluit de stekker van de koelkast aan op het stopcontact. Als de koelkastdeur wordt geopend, gaat de binnenverlichting van de koelkast aan.

4. Als de compressor begint te draaien, komt er een geluid vrij. De vloeistof en de gassen die zich in het koelsysteem bevinden, zouden ook wat lawaai kunnen veroorzaken zelfs wanneer de compressor niet werkt. Dit is normaal.


5. De buitenkant van de koelkast kan warm aanvoelen. Dit is normaal. Deze oppervlakken zijn bedoeld om warm te worden om condensvorming te voorkomen.

Elektrische aansluiting

Sluit uw apparaat aan op een geaard stopcontact, beschermd door een zekering met de juiste capaciteit.

Belangrijk:

- De aansluiting moet in naleving zijn met nationale voorschriften.
- De stroomstekker moet na installatie eenvoudig bereikbaar zijn.
- Elektrische veiligheid van uw koelkast wordt alleen gegarandeerd wanneer het aardingsstelsel in uw huis aan de normen voldoet.
- Het voltage op het etiket dat zich links binnenin uw product bevindt moet gelijk zijn aan uw netstroomvoltage.
- **Verlengkabels en verdeelstekkers mogen voor aansluiting niet worden gebruikt.**

 Een beschadigde stroomkabel moet door een gekwalificeerd elektricien worden vervangen.

 Het product mag niet in werking worden gesteld voordat het gerepareerd is! Er bestaat anders gevaar op een elektrische schok!

Afvoeren van de verpakking

De verpakkingsmaterialen kunnen gevaarlijk zijn voor kinderen. Houd het verpakkingsmateriaal buiten bereik van kinderen of voer deze af conform afvalinstructies zoals bepaald door uw lokale autoriteiten. Gooi het niet weg met het normale huishoudafval, maar maak gebruik van ophaalplaatsen voor verpakkingen die door lokale autoriteiten zijn aangewezen.

De verpakking van uw koelkast is vervaardigd uit herbruikbare materialen.


Afvoeren van uw oude koelkast

Voer uw oude koelkast af zonder het milieu op enige wijze te schaden.

- U kunt uw bevoegde dealer of het afvalcentrum van uw gemeente raadplegen over het afvoeren van uw koelkast.

Voordat u uw koelkast afvoert, snijd de elektrische stekker af. Indien het apparaat is uitgevoerd met deursluitingen, dit slot dan onbruikbaar maken om kinderen tegen gevaar te beschermen.

Plaatsing en installatie

 Als de toegangsdeur van de kamer waarin de koelkast wordt geïnstalleerd niet breed genoeg is voor de koelkast om erdoor te passen, bel dan de bevoegde dienst zodat deze de deuren van uw koelkast kan verwijderen en de koelkast zijdelings door de deur kan.

1. Installeer uw koelkast op een plaats waar deze gemakkelijk kan worden gebruikt.
2. Houd uw koelkast uit de buurt van warmtebronnen, vochtige plaatsen en direct zonlicht.

3. Er moet geschikte luchtventilatie rond uw koelkast zijn om een efficiënte werking te verkrijgen. Als de koelkast in een uitsparing in de muur wordt geplaatst, moet er minstens 5 cm afstand zijn ten opzichte van het plafond en minstens 5 cm ten opzichte van de muur. Plaats uw product niet op materialen zoals een kleden of vloerbedekking.

4. Plaats uw koelkast op een vlak vloeroppervlak om schokken te vermijden.

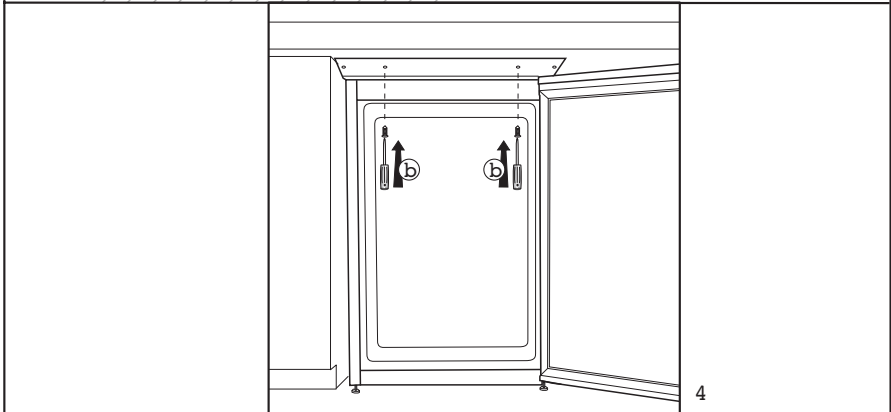
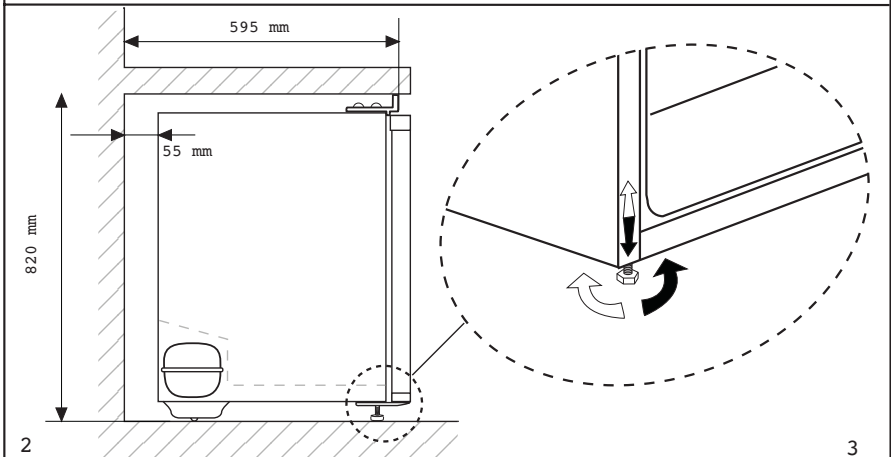
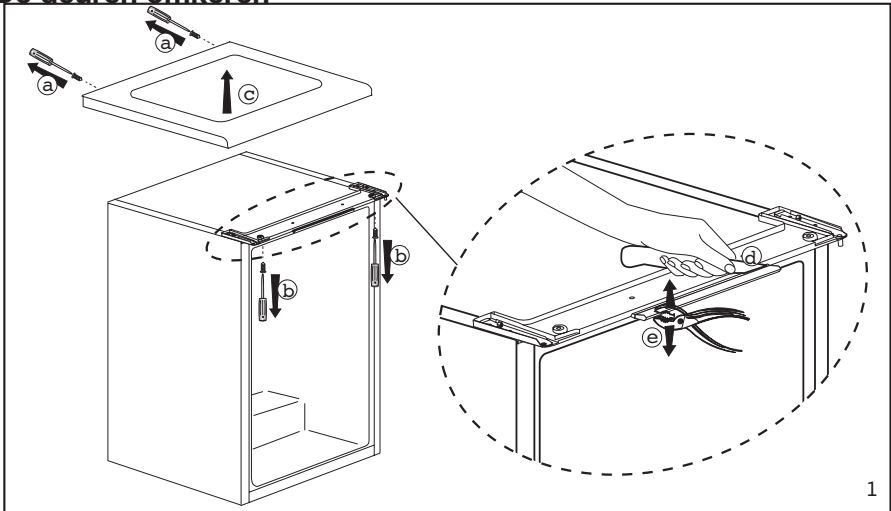
Het vervangen van de lamp

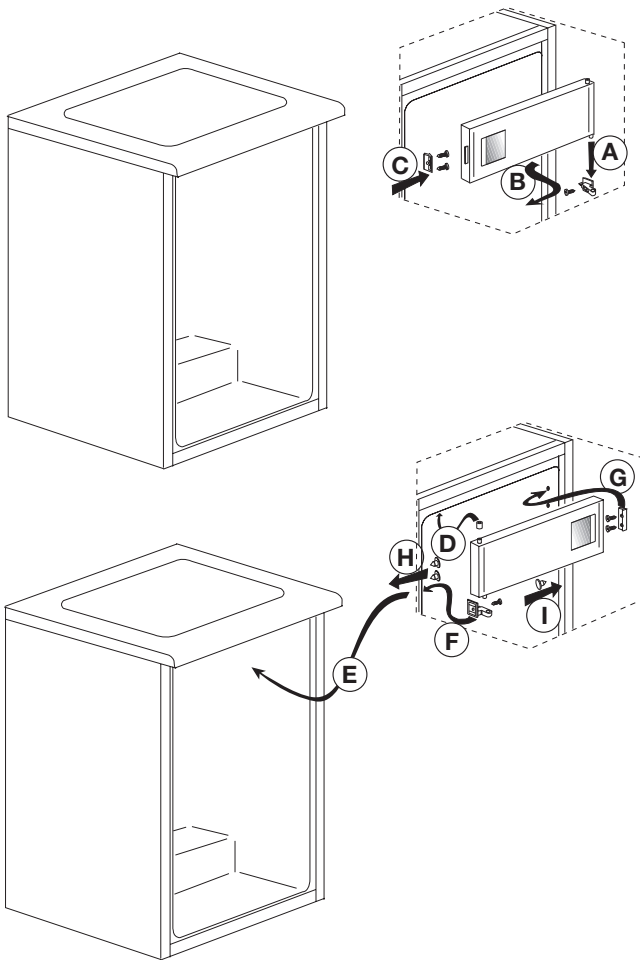
Om de lamp/led voor de binnenverlichting van uw koelkast te vervangen, bel uw bevoegde onderhoudsdienst.

De lamp of lampen voorzien in dit apparaat mogen niet worden gebruikt voor de verlichting van huishoudelijke ruimten. Het beoogde gebruik van deze lamp is de gebruiker te helpen etenswaren op veilige en comfortabele wijze in de koelkast/diepvriezer te plaatsen.

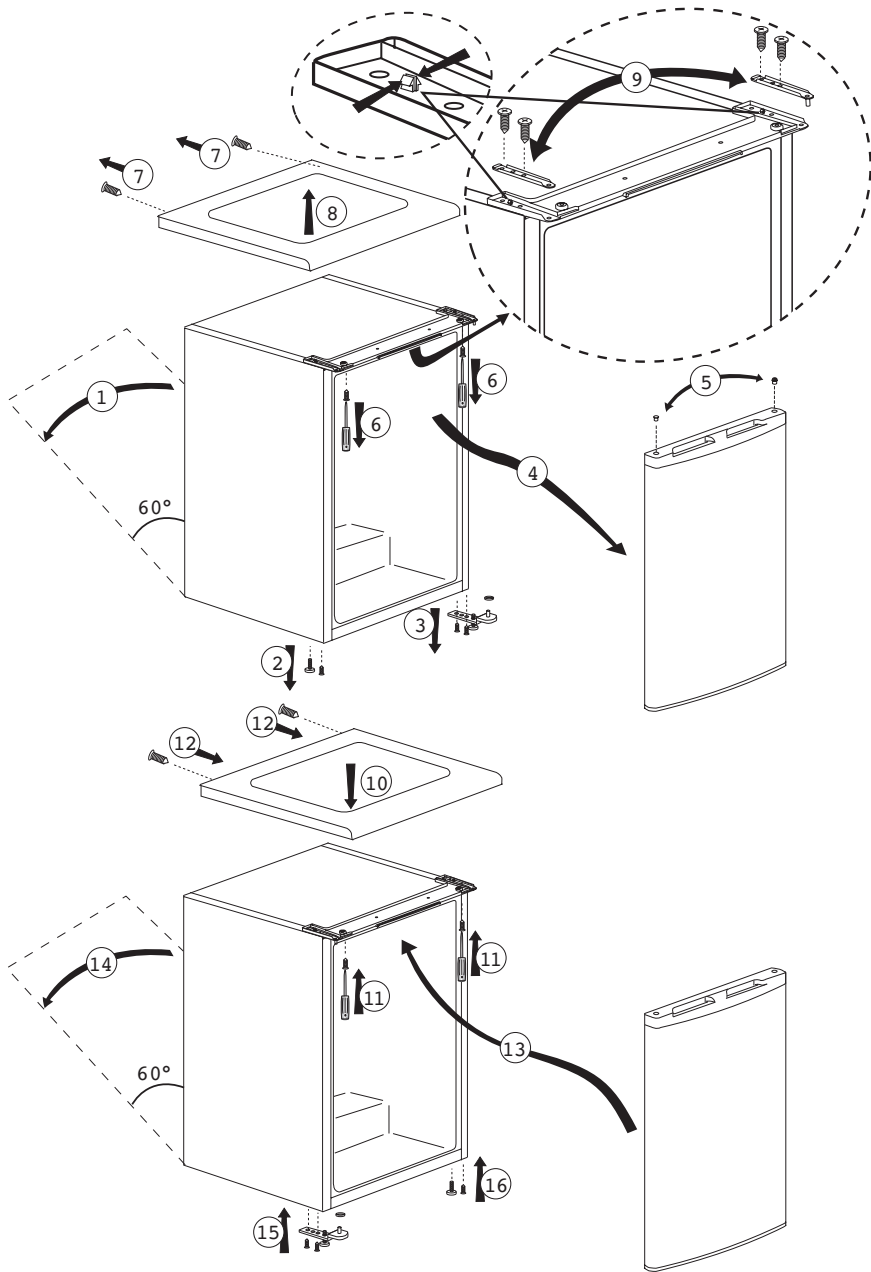
De lampen die in dit apparaat worden gebruikt moeten bestendig zijn tegen extreme fysieke omstandigheden, zoals temperaturen beneden de -20°C .

De deuren omkeren





a

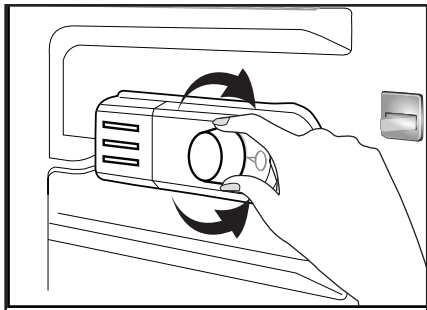


4 Voorbereiding

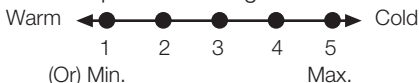
- i** Uw vriezer moet worden geïnstalleerd op minstens 30 cm afstand van warmtebronnen zoals kookplaten, centrale verwarming en kachels en op minstens 5 cm afstand van elektrische ovens. De koelkast mag niet in direct zonlicht worden geplaatst.
- i** De omgevingstemperatuur van de kamer waarin u de vriezer installeert dient minstens 10°C te zijn. In verband met efficiëntie wordt gebruik van uw vriezer in koudere omstandigheden niet aanbevolen.
- i** Controleer of de binnenzijde van uw koelkast volledig schoon is.
- i** Indien u twee producten naast elkaar wilt zetten, bijv. een koelkast en een vriezer dient u een decoratiekit te gebruiken welke een kleine mat en een decoratieonderdeel bevat. De mat wordt aan de zijkant van één van de producten aangebracht om een ruimte tussen de producten te creëren. Het decoratieonderdeel wordt tussen de twee producten aangebracht om het gat tussen de producten te verhullen (Afb. 2). De decoratiekit is geen deel van het product maar kan als een accessoire geleverd worden.
- i** Wanneer u uw vriezer voor de eerste keer in gebruik neemt, gelieve tijdens de eerste zes uur de volgende instructies in acht te nemen.
 - De deur niet regelmatig openen.
 - Koelkast moet in bedrijf gesteld worden zonder levensmiddelen.
 - De stekker van de vriezer niet uittrekken. Indien zich een stroomstoring voordoet buiten uw macht, zie de waarschuwingen in het deel "Aanbevolen oplossingen voor problemen".
- i** Originele verpakking en schuimmaterialen moeten worden bewaard voor toekomstig transport of verhuizen.

5 Gebruik van uw koelkast

Knop om thermostaat in te stellen



De werkingstemperatuur wordt geregeld via de temperatuursturing.



1 = Laagste koelinstelling (Warmste instelling)

5 = Hoogste koelinstelling (Koudste instelling)

(Of)

Min. = Laagste koelstand
(Warmste instelling)

Max. = Hoogste koelstand
(Koudste instelling)

De gemiddelde koelkasttemperatuur moet ongeveer +5 °C bedragen.

Kies een stand afhankelijk van de gewenste temperatuur.

Merk op dat er in het koelgebied verschillende temperaturen zijn.

Het koudste gedeelte bevindt zich onmiddellijk boven het groentevak.

De binnentemperatuur hangt ook af van de omgevingstemperatuur, hoe vaak de deur geopend wordt en de hoeveelheid voedsel die in de koelkast bewaard wordt.

Wanneer u de deur vaak opent, stijgt de temperatuur in de koelkast.

Het is daarom raadzaam om de deur na elk gebruik zo snel mogelijk te sluiten.

De binnentemperatuur van uw koelkast verandert om de volgende redenen;

- Seizoentemperaturen,
- Frequent openen van de deur of de deur lang open laten staan,
- Etenswaaren die in de koelkast wordt geplaatst zonder dat deze tot kamertemperatuur zijn afgekoeld.
- De plaats van de koelkast in de kamer (bijv. blootgesteld aan zonlicht)
- Met de thermostaat kunt u een als gevolg van deze redenen variërende binnentemperatuur aanpassen. De cijfers rond de thermostaatknop geven de mate van koeling aan.
- Wanneer de omgevingstemperatuur hoger is dan 32°C, draait u de thermostaatknop in de maximumpositie.
- Wanneer de omgevingstemperatuur lager is dan 25°C, draait u de thermostaatknop naar de minimum positie.

Koelen

Bewaren van voedsel

Het koelkastgedeelte dient voor het bewaren van verse etenswaaren en dranken.

Diepvriezen


Voedsel invriezen

Het diepvriesgedeelte is met dit symbool  gemarkeerd.

U kunt het apparaat gebruiken om verse etenswaren in te vriezen of om diepvriesproducten te bewaren.

Raadpleeg de aanbevelingen op de verpakking van de etenswaren.

Bewaren van bevroren etenswaren

Het vak voor diepvriesproducten is gemarkeerd met dit  symbool.

Het vak voor diepvriesproducten is geschikt voor het bewaren van bevroren levensmiddelen. De aanbeveling voor bewaring, zoals vermeld op de verpakking van de diepvriesproducten, moet altijd in acht worden genomen.

Ontdooien

A) Koelkastgedeelte

Het koelkastgedeelte ontdooit volledig automatisch. Waterdruppels en een ijslaag van tot 7-8 mm kunnen zich voordoen op de binnenste achterwand van het koelkastgedeelte terwijl uw koelkast aan het koelen is. Zulke ijsvorming is normaal als een resultaat van het koelsysteem. De ijsvorming wordt ontdooid via een automatische ontdooiing met bepaalde tussentijden dankzij het automatische ontdooisysteem van de achterwand. De gebruiker moet de ijsvorming niet wegschrappen of de waterdruppels niet verwijderen.

Het water dat afkomstig is van het ontdooien loopt weg via de wateropvanggroef en stroomt in de verdampers via de afvoerleiding en verdampt daar zelf.

Controleer regelmatig om te zien of de afvoerleiding niet verstopt is en ontstop met behulp van een stokje in de opening indien nodig.

Het diepvriesgedeelte voert geen automatische ontdooiing uit om het rotten van voedsel te voorkomen.

B) Diepvriesgedeelte

Ontdooien is zeer eenvoudig en zonder vuiligheid, dankzij een speciale verzamelbak voor het dooiwater.

Ontdooi twee keer per jaar of wanneer er zich een ijslaag van ongeveer 7 mm (¼") heeft gevormd.

Om de ontdooiprocedure te beginnen, schakel het apparaat uit aan het stopcontact en trek de hoofdstekker uit.

Alle etenswaren moeten in een dikke laag kranten worden verpakt en in een koele ruimte worden bewaard (bijv. koelkast of provisiekamer).

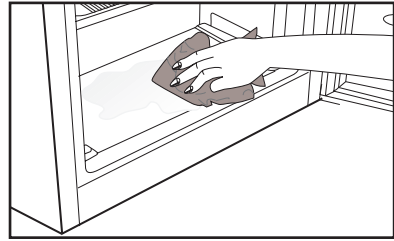
Om het ontdooiproces te versnellen kunt u voorzichtig een bakje warm water in het vriesvak plaatsen.

Gebruik geen puntige of scherpe voorwerpen, zoals messen of vorken, om het ijs te verwijderen.

Gebruik nooit haardrogers, elektrische verwarmingstoestellen of andere gelijkaardige elektrische toestellen om te ontdooien.

Spons het verzamelde dooiwater op de bodem van het diepvriesgedeelte op. Na het ontdooien de binnenkant goed droog maken.

Steek de stekker in het stopcontact en schakel de stroomtoevoer aan.



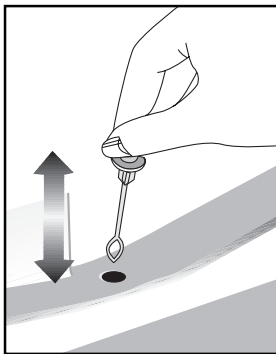
Uw product uitschakelen

Als uw thermostaat is uitgerust met de stand "0":

- Uw product stopt met werken wanneer u de thermostaatknop naar de stand "0" (nul) draait. Uw product zal pas weer starten wanneer u de thermostaatknop naar de stand "1" of naar een van de andere standen draait.

Als uw thermostaat is uitgerust met de stand "min":

- Trek de stekker van uw product uit het stopcontact om het uit te schakelen.



6 Onderhoud en reiniging

- ⚠ Gebruik nooit benzine, benzeen of gelijksoortige substanties voor het reinigingswerk.
- ⚠ Wij bevelen aan dat u de stekker uit het toestel trekt voordat u met reiniging begint.
- ⚠ Gebruik nooit scherpe voorwerpen, zeep, huishoudproducten, afwasmiddel of boenwas om te poetsen.
- ⓘ In producten die geen No Frost hebben ontstaan er op de achterwand van het koelvak waterdruppels en een vingerdikke ijslaag. Maak het niet schoon; doe er nooit olie op soortgelijke middelen op.
- ⓘ Gebruik uitsluitend licht vochtige microvezeldoeken om de buitenkant van het product schoon te maken. Sponzen en andere soorten schoonmaakdoeken kunnen het oppervlak krassen.
- ⓘ Gebruik lauwwarm water om de kast van uw koelkast schoon te maken en wrijf deze droog.
- ⓘ Gebruik een vochtige doek, uitgewrongen in een oplossing van één koffielepel natriumbicarbonaat voor 50 cl water, om de binnenkant schoon te maken en wrijf vervolgens droog.
- ⚠ Zorg ervoor dat er geen water in de lamp en andere elektrische onderdelen binnensijpelt.
- ⚠ Als uw koelkast voor een lange periode niet zal worden gebruikt, trek dan de stroomkabel uit, verwijder alle etenswaren, maak de koelkast schoon en laat de deur op een kier staan.
- ⓘ Kijk de deurgrendels regelmatig na om u ervan te overtuigen dat ze schoon en vrij van etensresten zijn.
- ⚠ Om deurroosters te verwijderen, verwijder de inhoud en druk het deurrooster vervolgens eenvoudigweg naar boven vanaf de basis.
- ⚠ Gebruik nooit reinigingsmiddelen of water dat chloor bevat om de buitenkant en de verchroomde onderdelen van het product te reinigen. Chloor veroorzaakt corrosie op dergelijke metalen oppervlakken.
- ⚠ Gebruik geen scherpe en schurende werktuigen of zeep, huishoudelijke reinigingsmiddelen, oplosmiddelen, benzine, benzeen, was, etc. Zo niet zullen stempels op plastic onderdelen loskomen en kunnen vervormingen optreden. Gebruik warm water en een zachte doek om te reinigen en te drogen.

Bescherming van de plastic oppervlakken

- ⓘ Plaats geen vloeibare olie of in olie bereide maaltijden in uw koelkast in onafgedichte bakjes. Deze kunnen de plastic oppervlakken van uw koelkast beschadigen. Mocht u olie morsen op de kunststof oppervlakken, reinig dit deel van het oppervlak dan direct met warm water en spoel af.

7 Fouten opsporen

Controleer de volgende punten voordat u de onderhoudsdienst belt. Dit kan u tijd en geld besparen. Deze lijst omvat regelmatige klachten die niet voortkomen uit defect vakmanschap of materiaalgebruik. Het is mogelijk dat bepaalde functies die hier beschreven zijn niet tot uw product behoren.

De koelkast werkt niet.

- De stekker zit niet op de juiste manier in het stopcontact. >>>Zorg ervoor dat de stekker veilig in het stopcontact wordt geplaatst.
- De zekering van het stopcontact waarop de koelkast is aangesloten of de hoofdzekering is gesprongen. >>>Controleer de zekering.

Condensvorming langs de wand van het koelgedeelte (MULTI ZONE, COOL CONTROL en FLEXI ZONE).

- Omgeving is erg koud. >>>Plaats de koelkast niet in een ruimte waar de temperatuur lager kan worden dan 10°C.
- De deur van de koelkast werd regelmatig open gemaakt. >>>Open en sluit de deur van de koelkast niet te veel.
- Omgeving is erg vochtig. >>>Plaats de koelkast niet in een vochtige ruimte.
- Voedsel met veel vloeistoffen wordt in open bakjes bewaard. >>>Bewaar dit soort voedsel in gesloten bakjes.
- De deur van de koelkast staat op een kier. >>>Sluit de deur van de koelkast.
- De thermostaat staat veel te laag. >>>Zet de thermostaat hoger.

De compressor draait niet

- Thermische bescherming van de compressor kan springen gedurende plotselinge stroomuitval of afsluiting van de stroomtoevoer wanneer de druk van het koelmiddel in het koelsysteem van de koelkast niet in balans is. De koelkast gaat na ongeveer 6 minuten draaien. Neem contact op met de onderhoudsdienst wanneer uw koelkast na deze periode niet start.
- De koelkast zit in een ontdooicyclus. >>>Dit is normaal voor een volledig automatisch ontdooiende koelkast. Ontdooicyclus vindt periodiek plaats.
- De stekker van de koelkast steekt niet in het stopcontact. >>>Zorg ervoor dat de stekker in het stopcontact zit.
- De temperatuuraanpassingen werden niet correct uitgevoerd. >>>Kiest een geschikte temperatuurwaarde.
- Er is een stroomstoring. >>>Zodra de stroom is verholpen keert de koelkast terug naar normale werking.

Het werkingsgeluid neemt toe wanneer de koelkast werkt.

- De werking van de koelkast kan veranderen als gevolg van wijzigingen in de omgevingstemperatuur. Dit is normaal en geen defect.

<p>De koelkast werkt frequent of gedurende lange tijd.</p>	<p>Diepvriestemperatuur is erg laag terwijl de koelkasttemperatuur voldoende is.</p>
<ul style="list-style-type: none"> • Uw nieuwe product is mogelijk breder dan het vorige. Grote koelkasten werken langer. • De omgevingstemperatuur kan hoog zijn. >>>Het is normaal dat het product langer draait in een warme omgeving. • De stekker van de koelkast kan onlangs ingestoken zijn of de koelkast kan zijn volgeladen met etenswaren. >>>Wanneer de koelkast pas is ingeschakeld of kortgeleden werd gevuld, duurt het langer om de ingestelde temperatuur te bereiken. Dit is normaal. 	<ul style="list-style-type: none"> • De diepvriestemperatuur is zeer koud ingesteld. >>>Stel de diepvriezertemperatuur hoger in en controleer.
<ul style="list-style-type: none"> • Grote hoeveelheden warme levensmiddelen kunnen recentelijk in de koelkast zijn geplaatst. >>>Plaats geen warm voedsel in de koelkast. 	<p>Koelkasttemperatuur is erg laag terwijl de diepvriestemperatuur voldoende is.</p>
<ul style="list-style-type: none"> • Deuren werden regelmatig geopend of hebben enige tijd op een kier gestaan. >>>De warme lucht die in de koelkast is binnengekomen maakt dat de koelkast langer werkt. Open de deuren niet te dikwijls. 	<ul style="list-style-type: none"> • De temperatuur van het koelvak is zeer koud ingesteld. >>>Stel de koelkasttemperatuur hoger in en controleer.
<ul style="list-style-type: none"> • De deur van het vries- of koelcompartiment is mogelijk op een kier blijven staan. >>>Controleer of de deuren goed gesloten zijn. 	<p>Etenswaren die in laden van het koelgedeelte worden bewaard, bevroren.</p>
<ul style="list-style-type: none"> • De koelkast is zeer koud ingesteld. >>>Stel de koelkasttemperatuur hoger en wacht tot de temperatuur wordt bereikt. 	<ul style="list-style-type: none"> • De temperatuur van het koelvak is zeer hoog ingesteld. >>>Stel de koelkasttemperatuur lager in en controleer.
<ul style="list-style-type: none"> • Deurafdichting van de koelkast of diepvriezer kan vuil, versleten, gebroken of niet goed geplaatst zijn. >>>Maak de afdichting schoon of vervang deze. Een beschadigde/gebroke afdichting maakt dat de koelkast langer moet werken om de huidige temperatuur te handhaven. 	<p>Temperatuur in de koelkast of diepvriezer is zeer hoog.</p>
	<ul style="list-style-type: none"> • De temperatuur van het koelvak is zeer hoog ingesteld. >>>De temperatuur van het koelvak heeft invloed op de temperatuur van de diepvriezer. Wijzig de temperatuur van de koelkast of de diepvriezer en wacht tot de betreffende compartimenten de gewenste temperatuur bereikt. • Deuren werden regelmatig geopend of hebben enige tijd op een kier gestaan. >>>Open de deuren niet te vaak. • De deur staat op een kier. >>>Sluit de deur volledig. • De koelkast is pas ingeschakeld of werd recent geladen met voedsel. >>>Dit is normaal. Wanneer de koelkast net is ingeschakeld of kortgeleden werd gevuld, duurt het langer om de ingestelde temperatuur te bereiken. • Grote hoeveelheden warme levensmiddelen kunnen recentelijk in de koelkast zijn geplaatst. >>>Plaats geen warm voedsel in de koelkast.

<ul style="list-style-type: none"> • Vibratie of geluid. • De vloer is niet gelijk of stabiel. >>> Indien de koelkast schommelt bij enige beweging, moet u de stelvoetjes aanpassen. Zorg dat de vloer vlak en sterk genoeg is om de koelkast te dragen. • De spullen die boven op de koelkast liggen kunnen geluid veroorzaken. >>>Verwijder deze van de bovenzijde van de koelkast. 	<ul style="list-style-type: none"> • Slechte geur binnenin de koelkast. • Ze wordt niet regelmatig schoongemaakt. >>>Maak de binnenkant van de koelkast regelmatig schoon met een spons met lauwwater waarin eventueel wat carbonaat is opgelost. • Sommige bakjes of verpakkingsmaterialen kunnen de geur veroorzaken. >>>Gebruik een ander bakje of ander soort verpakkingsmateriaal. • Er is voedsel in de koelkast geplaatst in een open bakje. >>>Bewaar het voedsel altijd in een gesloten bakje. Micro-organismen die zich verspreiden vanuit containers zonder deksel kunnen onaangename geuren veroorzaken. • Neem vervallen voedingswaren en gemorste gerechten altijd meteen uit de koelkast.
<p>Er komt een geluid van morsende of sprayende vloeistof uit de koelkast.</p>	<p>De deur sluit niet.</p>
<ul style="list-style-type: none"> • Vloeistof- en gasstromen vinden plaats conform de werkingsprincipes van uw koelkast. Dit is normaal en geen defect. 	<ul style="list-style-type: none"> • Voedselpakketjes kunnen er de reden van zijn dat de deur niet sluit. >>>Verplaats de verpakkingen die de deur belemmeren. • De koelkast staat niet volledig waterpas op de vloer. >>>Stel de stelvoetjes bij om de koelkast waterpas te zetten. • De vloer is niet gelijk of stevig. >>>Zorg dat de vloer vlak is en de koelkast kan dragen.
<p>Er komt een fluitend geluid van de koelkast.</p>	<p>Groenteladen zitten vast.</p>
<ul style="list-style-type: none"> • Er worden ventilatoren gebruikt om de koelkast te koelen. Dit is normaal en geen defect. 	<ul style="list-style-type: none"> • De levensmiddelen kunnen de bovenzijde van de lade raken. >>>Herschik de levensmiddelen in de lade.
<p>Condens op de binnenwanden van de koelkast.</p>	<p>Als Het Oppervlak Van Het Product Heet Is.</p>
<ul style="list-style-type: none"> • Met warm en vochtig weer neemt ijs- en condensvorming toe. Dit is normaal en geen defect. • Deuren werden regelmatig geopend of hebben enige tijd op een kier gestaan. >>>Open de deuren niet te vaak. Sluit ze wanneer ze open staan. • De deur staat op een kier. >>>Sluit de deur volledig. 	<ul style="list-style-type: none"> • Tijdens de werking kunnen tussen de twee deuren, de zijpanelen en de achterste grill hoge temperaturen worden waargenomen. Dit is normaal en behoeft geen serviceonderhoud!
<p>Vocht aan de buitenkant van de koelkast of tussen de deuren.</p>	
<ul style="list-style-type: none"> • De lucht is mogelijk vochtig; dit is vrij normaal bij vochtig weer. Wanneer de vochtigheid minder wordt, zal de condens verdwijnen. 	

beko

Kylskåp

Bruksanvisning

Kjøleskap

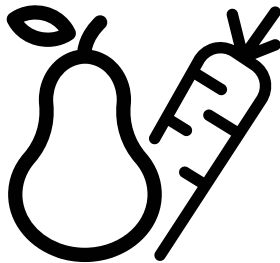
Bruksanvisning

Køleskab

Käyttöopas

Frigorifero

Manuale utente



TSE1284N

CE

SV / NO / FIN / IT

58 4198 0000/AB
2/6

Läs den här bruksanvisningen först!

Kära kund!

Vi hoppas att produkten, som har producerats på en modern anläggning och genomgått de allra nogrannaste kvalitetsprocesser, kommer att erbjuda effektiv service.




Vi rekommenderar därför att du läser igenom hela bruksanvisningen noggrant innan du använder den och att du förvarar den nära till hands för framtida referens.

Den här bruksanvisningen

- Hjälper dig använda enheten på ett snabbt och säkert sätt.
- Läs bruksanvisningen innan du installerar och använder produkten.
- Följ instruktionerna, speciellt säkerhetsanvisningarna.
- Förvara bruksanvisningen på en lättåtkomlig plats där du kan hämta den senare.
- Läs även övriga dokument som tillhandahålls tillsammans med produkten.
- Observera att den här bruksanvisningen även kan gälla för andra modeller.

Symboler och beskrivningar för dem

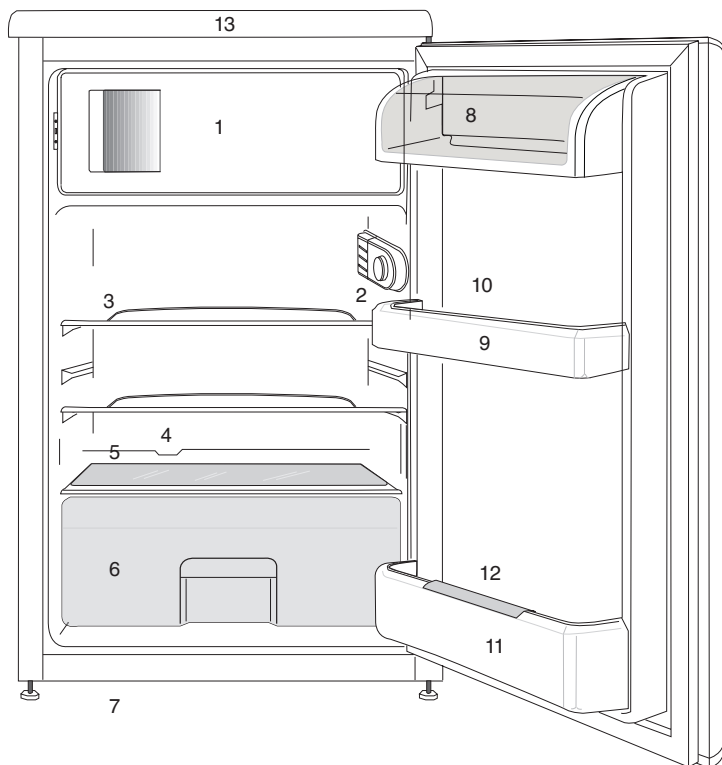
Den här bruksanvisningen innehåller följande symboler:

-  Viktig information eller användbara tips.
-  Varning för risker för liv och egendom.
-  Varning för elektrisk spänning.

INNEHÅLL

1 Kylskåpet	4	5 Använda kylskåpet	16
2 Viktiga säkerhetsvarningar	5	Frysning.....	16
För produkter med vattenbehållare; .	7	Frysning av mat.....	16
Barnsäkerhet	8	Göra isbitar	17
I enlighet med WEEE-direktivet för		Förvaring av fryst mat	17
hantering av avfallsprodukter:	8	Avfrostning av enheten.....	17
I enlighet med RoHS-direktivet:.....	8	Kylning	18
Paketinformation.....	8	Matförvaring.....	18
HC-Varning.....	8	Avfrostning av enheten.....	18
Saker att göra för att spara energi	9	6 Underhåll och rengöring	19
3 Installation	10	7 Rekommenderade lösningar	20
Saker att tänka på vid transport av		på problem	20
frysskåpet	10		
Innan du använder frysskåpet.....	10		
Elektrisk anslutning.....	11		
Kassering av förpackningen	11		
Kassering av ditt gamla skåp.....	11		
Placering och installation.....	11		
4 Förberedelse	12		
Justera skåpets fötter	13		
Byta lampan	13		
Installation (under disk).....	13		
Byte av dörrar	14		
Byte av dörrar	15		

1 Kylskåpet




1. a.) Frysack och isbricka (för -modeller) b.) Frysack och isbricka (för -modeller)
2. Invändig belysning och termostatknap
3. Flyttbara hyllor
4. Uppsamlingskanal för avfrostningsvatten - dräneringstub
5. Lock för grönsakslåda
6. Grönsakslåda
7. Justerbara frontfötter
8. Fack för mejeriprodukter
9. Dörrhyllor
10. Äggbricka
11. Flaskhylla
12. Flaskhållare
13. Övre list

Bilder som förekommer i den här bruksanvisningen är exempel och överensstämmer inte exakt med din produkt. Om det finns delar som inte inkluderas i produkten du har köpt gäller det för andra modeller.

Läs följande information. Om du underlåter att följa den här informationen kan det orsaka person- och materialskador. Annars blir alla garanti- och tillförlitlighetsåtaganden ogiltiga.

Användningstidslängden för enheten är 10 år. Det här är den period som reservdelarna krävs för att enheten ska hålla.

Avsedd användning

	<p>VARNING: Håll ventilationsöppningar i apparatens hölje eller i den inbyggda strukturen fritt från hinder.</p>
	<p>VARNING: Använd inte mekaniska anordningar eller andra medel för att påskynda avfrostningsprocessen, annat än de som rekommenderas av tillverkaren.</p>
	<p>VARNING: Skada inte kylmedelskretsen.</p>
	<p>VARNING: Använd inte elektriska apparater inuti matvaru förvaringsutrymme na i apparaten, såvida de inte är av den typ som rekommenderas av tillverkaren.</p>



VARNING!

Förvara inte explosiva ämnen, så som aerosolbehållare med brandfarligt bränsle, i den här enheten.

Denna apparat är avsedd att användas i hushåll och liknande användning såsom

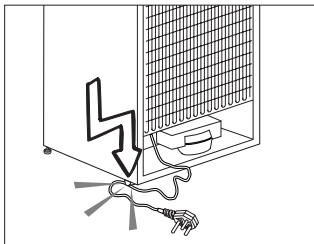
- personkök i butiker, kontor och andra arbetsmiljöer;
- Bondgårdar och av kunder på hotell, motell och andra bostadsmiljöer;
- Bed and breakfast-miljöer;
- Catering och liknande icke-detaljhandelsanvändning.

Allmän säkerhet

- När du vill avyttra produkten rekommenderar vi att du rådgör med auktoriserad kundtjänst för att få den information som krävs, samt auktoriserade organ.
- Rådfråga auktoriserad service när det gäller alla frågor och problem som är relaterade till kylskåpet. Modifiera inte kylskåpet utan att meddela auktoriserad kundtjänst.
- För produkter med frysfacket; Ät inte glass och iskuber direkt efter att du har tagit ut dem ur frysfacket! (Det kan leda till köldskador i munnen.)
- För produkter med frysfacket; Placera inte flaskprodukter och konserverade drycker i frysfacket. De kan explodera.
- Rör inte vid fryst mat med händerna; de kan fastna.
- Koppla ur kylskåpet före rengöring och avfrostning.

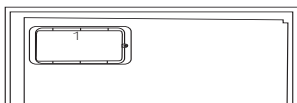
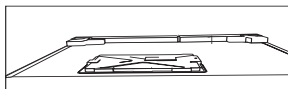
- Lättflyktiga material skall aldrig användas vid avfrostning av kylskåpet. Det kan leda till att ångan kommer i kontakt med elektriska delar och orsaka kortslutning eller elektriska stötar.
- Använd aldrig delar på ditt kylskåp såsom en dörr som stöd eller trappsteg.
- Använd inte elektriska enheter inne i kylskåpet.
- Skada inte delarna med borr eller vassa verktyg, när kylskåpet cirkulerar. Kylmedlet som kan läcka ut om rör eller ytor punkteras kan orsaka hudirritation och ögonskador.
- Täck inte över eller blockera ventilationshålen på kylskåpet med något material.
- Elektriska enheter måste repareras av behöriga fackmän. Reparationer som utförs av personer utan rätt kunskap kan orsaka risk för användaren.
- Vid eventuella fel eller felfunktion under service eller reparationsarbete, skall du koppla ur strömkällan till kylskåpet genom att antingen vrida ur motsvarande säkring eller dra ur sladden.
- Drag inte i kabeln – drag i kontakten.
- Se till att drycker med hög alkoholhalt placeras upprätt och förvaras säkert med fastsatta lock.
- Förvara aldrig spraymedel som innehåller antändbara och explosiva ämnen i kylskåpet.
- Använd inte mekaniska enheter eller andra sätt för att snabba på avfrostningsprocessen, förutom det som rekommenderas av tillverkaren.
- Den här produkten är inte avsedd att användas av personer med nedsatt fysisk, psykisk eller mental förmåga eller oerfarna personer (inklusive barn) om de inte övervakas av en person som ansvarar för deras säkerhet eller instruerar dem i användningen av produkter
- Använd inte ett skadat kylskåp. Kontakta serviceombudet om du har några frågor.
- Elsäkerheten för kylskåpet garanteras endast om jordningssystemet i huset uppfyller de krav som gäller.
- Det är farligt att utsätta produkten för regn, snö, sol och vind med tanke på elsäkerheten.
- Kontakta auktoriserad service om strömkabeln skadas för att undvika fara.
- Koppla aldrig in kylskåpet i vägguttaget under installationen. Det ökar risken för allvarlig skada eller dödsfall.
- Det här kylskåpet är endast avsett för förvaring av livsmedel. Det får inte användas för något annat ändamål.
- Etiketten med tekniska specifikationer sitter på vänster insida i kylskåpet.
- Koppla aldrig in kylskåpet till energibesparande system; de kan skada kylskåpet.
- Om det finns en blå lampa på kylskåpet får du inte titta rakt in i den eller titta på den genom optiska verktyg under en längre stund.
- För manuellt kontrollerade kylskåp, vänta i minst 5 minuter för att starta kylskåpet efter strömavbrottet.

- Den här bruksanvisningen ska lämnas till den nya ägaren av produkten när den lämnas till andra.
- Undvik att orsaka skada på strömkabeln vid transport av kylskåpet. Om du böjer kabeln kan det orsaka brand. Placera aldrig tunga föremål på strömkabeln. Rör inte vid kontakten med våta händer när du kopplar in produkten.



- Anslut inte kylskåpet till ett eluttag som sitter löst.
- Vatten får av säkerhetsskäl inte sprayas direkt på de inre eller yttre delarna av produkten.
- Spraya inte ämnen som innehåller antändbara gaser, såsom propangas, nära kylskåpet för att undvika brand och explosionsrisk.
- Placera aldrig behållare som är fyllda med vatten på kylskåpet, eftersom det kan orsaka elektrisk kortslutning eller brand.
- Överbelasta inte kylskåpet med för stora mängder mat. Om det överbelastas kan mat falla ned och skada dig och kylskåpet när du öppnar dörren. Placera aldrig föremål på kylskåpet; annars kan de falla ned när du öppnar eller stänger kylskåpsdörren.
- Produkter som behöver en exakt temperaturkontroll (vaccin, värmekänslig medicin, vetenskapliga material etc.) får inte förvaras i kylan.

- Om kylskåpet inte används under en längre tid ska det kopplas från strömkällan. Ett möjligt problem i strömkabeln kan orsaka brand.
- Kylskåpet kan flytta på sig om de justerbara benen inte sitter fast ordentligt i golvet. Om du förankrar de justerbara benen ordentligt i golvet kan det förhindra att kylskåpet flyttar på sig.
- När du bär på kylskåpet ska du inte hålla i dörrhandtaget. Annars kan det släppa.
- Om du har placerat produkten intill ett annat kylskåp eller en frys ska avståndet mellan enheterna vara minst 8 cm. Annars kan de angränsande väggarna blir fuktiga.
- Använd aldrig produkten om delen som är överst eller bak på produkten har det elektroniskt skrivna kretskortet öppet (skyddet för kretskortet) (1).



För produkter med vattenbehållare;

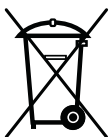
- Trycket titt ingående vatten ska vara minst 90 psi (620 kPa). Om vattentrycket överstiger 80 psi (550 kPa), använd en tryckbegränsande ventil i ditt huvudsystem. Om du inte vet hur du kontrollerar trycket ska du fråga en yrkesrörmokare.

- Om det finns en risk för att vattenhammaren påverkas i din installation, använd alltid en vattenhammarförhindrande utrustning i din installation. Konsultera en yrkesrörmokare om du inte är säker på om vattnet påverkar din installation.
- Installera inte på varmvattenintaget. Vidtag åtgärder mot frysrisker i slangarna. Vattentemperaturens driftsintervall ska vara minst 33°F (0,6°C) och mest 100°F (38°C).
- Använd bara drickbart vatten.

Barnsäkerhet

- Om dörren har ett lås ska nyckeln hållas borta från barn.
- Barn ska övervakas för att hindra att de pillar på produkten.

I enlighet med WEEE-direktivet för hantering av avfallsprodukter:



Den här produkten gäller under EU WEEE-direktivet (2012/19/EU). Den här produkten är försedd med en klassificeringssymbol för avfallshantering av elektriskt och elektroniskt material (WEEE).

Denna produkt är tillverkad med delar av hög kvalitet samt material som kan återanvändas

och återvinnas. Produkten får inte slängas i hushållssoporna eller i annat avfall vid livsslut. Ta den till en återvinningsstation för elektrisk och elektronisk utrustning. Kontakta din kommun för mer information om närmaste återvinningsstation.

I enlighet med RoHS-direktivet:

Produkten du har köpt gäller under EU RoHS-direktivet (2011/65/EU). Den innehåller inga av de farliga eller förbjudna material som anges i direktiven.

Paketinformation

Produktens förpackningsmaterial tillverkas av återvinningsbara material i enlighet med våra nationella miljöregler. Kassera inte förpackningsmaterial tillsammans med hushållsavfall eller annat avfall. Ta med dem till ett samlingsställe för förpackningsmaterial som anges av de lokala myndigheterna.

HC-Varning

Om produktens kylsystem innehåller R600a:

Den här gasen är lättantändlig. Var därför noggrann så att du inte skadar kylsystemet och rören under användning och transport. Om det skulle uppstå någon skada skall produkten hållas borta från potentiella eldkällor som kan göra att produkten fattar eld och du ska ventilerarummet där enheten är placerad.

Du kan bortse från den här varningen om produktens kylsystem innehåller R134a.

Typen av gas som används i produkten anges på märkplåten som sitter på kylskåpets vänstra insida.

Kasta aldrig produkten i eld när den ska kasseras.

Saker att göra för att spara energi

- Låt inte dörrarna till kylskåpet stå öppna under en längre tid.
- Placera inte varm mat eller varma drycker i kylskåpet.
- Överbelasta inte kylskåpet så att luften inuti det påverkas.
- Installera inte kylskåpet i direkt solljus eller nära värmeavsöndrande enheter såsom ugn, diskmaskin eller element.
- Observera att mat ska förvaras i tillslutna behållare.
- För produkter med frysfack; Du kan lagra maximal mängd mat i frysen när du tar bort hyllan eller lådan till frysen. Energiförbrukningen som anges på kylskåpet har fastställts genom att ta bort fryshyllan eller lådan och ha maximal belastning. Det finns ingen risk i att använda en hylla eller låda enligt formerna och storlekarna på maten som ska frysas.
- Upptining av fryst mat i kylfacket sparar både energi och håller matens kvalitet.

3 Installation

⚠ Kom ihåg att tillverkaren inte skall hållas ansvarig om användaren underlåter att observera något i den här bruksanvisningen.

Saker att tänka på vid transport av frysskåpet

1. Frysskåpet måste vara tomt och rent före transport.
2. Hyllor, tillbehör, etc. i frysskåpet måste spännas fast ordentligt med tejp före ompaketering.
3. Förpackningen måste fästas ihop med tjock tejp och starka rep och de transportregler som anges på förpackningen måste följas.
4. Om skåpet legat ned under transport skall det stå upprätt i minst två

timmar innan strömmen slås på.

Glöm inte...

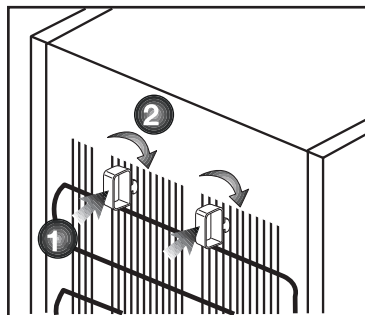
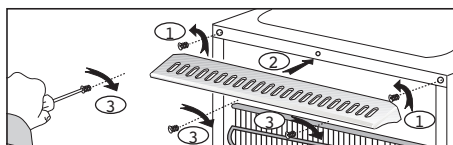
Varje återvunnet material är en ovärderlig källa för naturen och för våra nationella resurser.

Om du vill bidra till återvinningen av förpackningsmaterial kan du hämta ytterligare information från våra miljöorgan eller lokala myndigheter.

Innan du använder frysskåpet

Kontrollera följande innan du startar frysskåpet:

1. Är frysskåpet insida torr och kan luften cirkulera fritt bakom det?
2. Du kan installera de två plastklämmorna så som visas på bilden. Plastklämmorna ger rätt



avstånd mellan frysskåpet och väggen för att tillåta luften att cirkulera. (Bilden som visas är bara ett exempel och överensstämmer inte exakt med din produkt.)

3. Rengör frysskåpet insida enligt rekommendationerna i avsnittet "Underhåll och rengöring".
4. Koppla in frysskåpet i vägguttaget. När kylskåpsdörren öppnas kommer den invändiga belysningen att tändas.
5. Du kommer att höra ett bullrande ljud när kompressorn startar. Vätska och gas inne i produkten kan också ge upphov till ljud, även om kompressorn inte körs och detta är helt normalt.
6. De främre kanterna på frysskåpet kan kännas varma. Detta är normalt. De här områdena är utformade för att bli varma och därmed undvika kondens

Elektrisk anslutning

Anslut produkten till ett jordat uttag som skyddas av en säkring med lämplig kapacitet.

Viktigt:

- Anslutningen måste ske i enlighet med nationell lagstiftning.
- Strömkabelns kontakt måste vara lätt att komma åt efter installationen.
- Den angivna spänningen måste överensstämma med strömkällans spänning.
- Förlängningskablar och grenkontakter får inte användas för anslutningen.

⚠ En skadad strömkabel måste bytas av en behörig elektriker.

⚠ Produkten får inte användas innan den reparerats! Det finns risk för kortslutning!

Kassering av förpackningen

Förpackningsmaterial kan vara farligt för barn. Förvara förpackningsmaterialen utom räckhåll för barn eller kassera dem i enlighet med gällande avfallsregler. Kassera dem inte med hushållsavfallet.

Förpackningsmaterialet för ditt frysskåp produceras av återvinningsbara material.

Kassering av ditt gamla skåp

Kassera ditt gamla frysskåp utan att skada miljön.

- Du kan kontakta en auktoriserad återförsäljare eller ett återvinningscenter angående avyttring av ditt frysskåp.

Innan du kasserar frysskåp, dra ur strömkontakten och, om det finns några lås på dörren, göra dem obrukbara för att förhindra att barn skadar sig.

Placering och installation

1. Installera frysskåpet på en plats där det är lättåtkomligt.
2. Håll frysskåpet borta från värmekällor, fuktiga platser och direkt solljus.
3. Det måste finnas tillräcklig ventilation runt frysskåpet för att uppnå effektiv användning. Om frysskåpet placeras i en hålighet i väggen måste det vara ett avstånd på minst 5 cm till taket och 5 cm till väggen.
4. Placera frysskåpet på en jämn och plan golvyta för att förhindra lutningar.
5. Frysbox kan placeras i kalla rum, helt ner till -15 °C. Det ger dig möjlighet att placera frysen i t.ex. sommarstugan, garaget eller redskapsrummet.

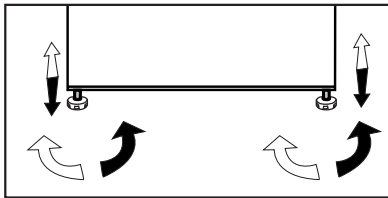
4 Förberedelse

- Kylskåpet skall installeras minst 30 cm från värmekällor, såsom spis, ugn och centralvärme och minst 5 cm från elektriska ugnar och får inte placeras i direkt solljus.
- Den omgivande temperaturen i rummet där du installerar kylskåpet skall vara minst 10°C. Användning av kylskåpet i lägre temperaturer rekommenderas inte.
- Se till att kylskåpet är ordentligt rengjort invändigt.
- Om ni önskar att placera ett kylskåp och ett frysskåp bredvid varandra, som "side-by-side", skall ni använda ett monteringsset. Monteringssetet innehåller en matta och en dekorationslist. Mattan skall monteras på sidan av det ena skåpet, med lite luft mellan. Dekorationslistan monteras mellan de två skåpen, så att den döljer mellanrummet mellan skåpen. Monteringssetet är inte en del av produkten och skall levereras som tillbehör.
- Vid användning av kylskåpet för första gången skall du observera följande anvisningar under de första sex timmarna.
- Dörren får inte öppnas för ofta.
- Det måste köras tomt utan mat.
- Dra inte ur sladden till kylskåpet. Om det inträffar ett strömavbrott som ligger utanför din kontroll, se varningarna i avsnittet "Rekommenderade lösningar på problem".
- Korgarna/lådorna som medföljer kylfacket måste alltid användas för lägre energikonsumtion och för bättre lagringsvillkor.
- Om mat kommer i kontakt med temperatursensorn i frysfacket kan det öka energikonsumtionen för utrustningen. Därför måste all kontakt med denna sensor (dessa sensorer) undvikas.
- Originalförpackning och skumplastmaterial skall sparas för framtida transport.
- I vissa modeller stänger instrumentpanelen av 5 minuter efter att luckan har stängts. Den kommer att återaktiveras när luckan har öppnats, eller när en knapp tryckts in.
- På grund av temperaturförändringar som resulterar av att öppna / stänga dörren under drift, är kondens på dörr- / kylskåpshyllor och glasbehållare normalt.

Justera skåpets fötter

Om kylskåpet står på ett ojämnt underlag;

Du kan justerera kylskåpet genom att vrida fötterna såsom illustreras på bilden. Hörnet där fötterna finns sänks när du vrider i den svarta pilens riktning och höjs när du vrider i motsatt riktning. Det är lämpligt att be om hjälp när du gör detta för att göra det enklare.



Byta lampan

Ring auktoriserad service när du vill byta lampan.

Lamporna som används i utrustningen är inte anpassade som rumsbelysning. Det avsedda ändamålet för lamporna är att hjälpa användaren placera mat i kylskåpet/frysaren på ett säkert och bekvämt sätt.

Lamporna i apparaten måste kunna tåla extrema fysiska förhållanden såsom temperaturer under -20°C .

Installation (under disk)

- Den invändiga höjden under disken ska vara 820 mm.(!) Spisar eller andra värmekällor får inte placeras ovanpå disken om utrustningen installeras under disk.
- Strömtaget måste vara nära enheten på höger eller vänster sida.
- Avlägsna det övre skyddet på apparaten. Det finns 4 skruvar (2 stycken på baksidan och 2 stycken nedanför den främre kanten) som ska tas bort.

Fig. 1

- Dela enheten som på bilden och avlägsna den med hjälp av tång.
- Placera utrustningen under disken och justera de främre fötterna tills ovan delen vidrör disken.
- För att använda produkten under disken ska avståndet mellan väggen och den övre plastanslutningen vara minst 595 mm.

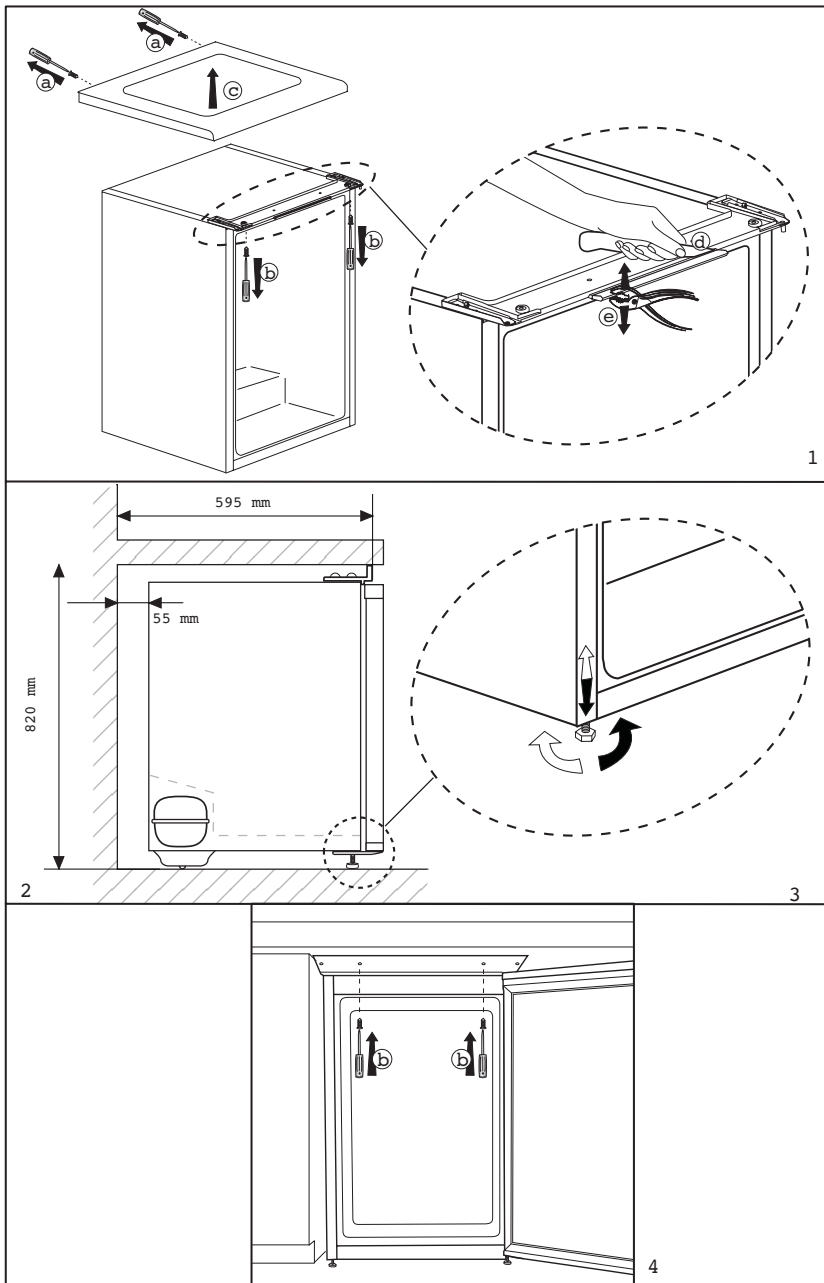
Fig. 2-3

- Fäst apparaten under disken med 2 av skruvarna som avlägsnades från det övre skyddet. (Materialet på disken måste vara plast- eller träbaserat!)

Fig. 4

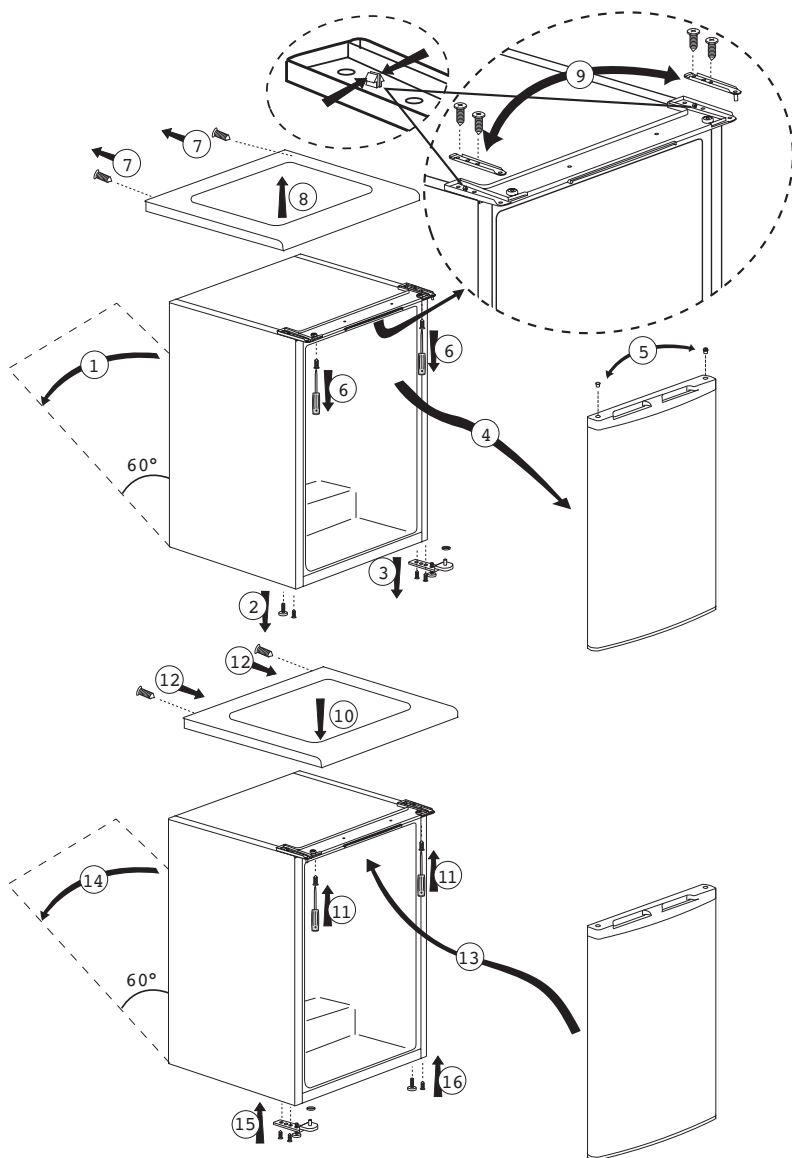
Byte av dörrar

Gå tillväga i nummerordning .

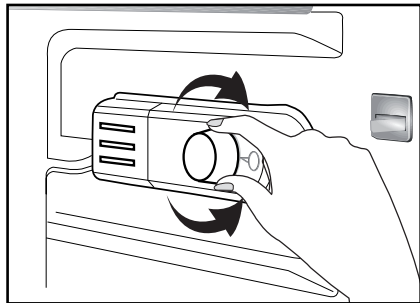


Byte av dörrar

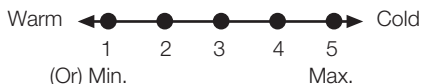
Gå tillväga i nummerordning .



5 Använda kylskåpet



Drifttemperaturen regleras med temperaturreglaget.



**1 = Lägsta kylinställning
(Varmaste inställning)**

**5 = Högsta kylinställning (Kallaste
inställning)**

(Eller)

**Min. = Lägsta kylinställning
(Varmaste inställning)**

**Max. = Högsta kallaste inställning
(Kallaste inställning)**

Medeltemperaturen inuti kylskåpet bör ligga runt +5°C

Välj inställning enligt önskad temperatur.

Du kan avbryta driften av din enhet genom att vrida termostatvredet till läget "0".

Observera att det förekommer olika temperaturer i kylområdet.

Det kallaste området är placerat precis ovanför grönsakshyllan.


Den invändiga temperaturen beror också på den omgivande temperaturen, hur ofta dörren öppnas och hur mycket mat som förvaras i kylskåpet.

Frekvent öppnande av dörren gör att den invändiga temperaturen stiger.

Av denna anledning bör man stänga dörren så fort som möjligt efter användning.

Frysning

Frysning av mat

Frysområdet är märkt med  den här symbolen.

Du kan använda enheten för frysning av färsk mat samt för förvaring av djupfrost mat

Se rekommendationerna på matförpackningen.

• Observera

Frys inte kolsyrade drycker, eftersom flaskan kan spricka.

Var försiktig med frysta produkter som t.ex. färgade isbitar.

Överskrid inte din enhets infrysningskapacitet under 24 timmar. Se märketiketten.

För att bibehålla matens kvalitet, skall den frysas så fort som möjligt.

På detta sätt överskrids inte fryskapaciteten, och temperaturen inuti frysen kommer inte att stiga.

• Observera

Förvara alltid redan djupfryst mat separat från nyligen fryst mat.

Vid djupfrysning av varm mat, kommer kylkompressorn att slås på till dess att maten är helt fryst. Detta kan tillfälligt leda till extra kylning av kylskåpet.

Om du tycker att frysdörren är svår att öppna precis då du stängt den, var inte orolig. Detta beror på tryckskillnaden som jämnar ut sig så att dörren kan öppnas normalt efter några minuter.

Du kommer att höra ett vakuum-ljud precis då dörren stängts. Detta är helt normalt.

Göra isbitar

Fyll isbitsfacket till 3/4 med vatten och placera det i frysen.

Då vattnet har blivit till is, kan du ta ut isbitarna.

Använd aldrig vassa föremål som t.ex. knivar eller gafflar för att avlägsna isbitarna. Du kan skada dig!

Låt istället isbitarna tina något, eller placera fackets undersida i varmt vatten en kort stund.

Förvaring av fryst mat

Frysområdet är märkt med symbolen .

Frysfacket för fryst mat är lämpligt som lagring för mat som köpts fryst. Rekommendationen för förvaring som anges på matförpackningen skall alltid respekteras.

Avfrostning av enheten

Överdriven isbeläggning påverkar frysprestandan för din enhet.

Du bör därför avfrostas frysen minst två gånger per år, eller då isbeläggningen överstiger 7 mm.

Avfrostas enheten då den är tom eller nästan tom.

Ta ut djupfryst mat. Slå in den djupfrysta maten i flera lager papper, eller i en filt och förvara den på en sval plats.

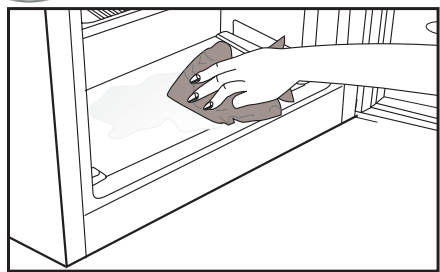
Koppla från enheten eller slå av reläet innan du startar avfrostningen.

Avlägsna tillbehör (hylla, låda etc.) från enheten och använd en lämplig behållare för uppsamling av avfrostningsvattnet.

Använd vid behov en svamp eller mjuk trasa för att avlägsna avfrostningsvattnet i frys-facket



och frys-facket för fryst mat



Håll dörren öppen under avfrostning. För snabbare avfrostning kan behållarna placeras med varmt vatten inuti enheten.

Använd aldrig elektriska apparater, avfrostnings-sprayer eller vassa eller skarpa föremål som knivar eller gafflar för att avlägsna isen.

Rengör insidan när avfrostningen är klar.

Anslut enheten till huvudströmmen. Placera den frysta maten i lådor och för in dem i frysen.

Kylning

Matförvaring

Kylen är till för kortvarig förvaring av färsk mat och dryck.

Förvara mjölkprodukter på avsedd hylla i kylskåpet.

Flaskor kan förvaras i flaskhållaren eller på flaskyllan i dörren.

Rått kött förvaras bäst i en plastpåse på hyllan i kylskåpets nedersta del.

Låt varm mat och varma drycker svalna till rumstemperatur innan de placeras i kylskåpet.

• Observera

Förvara koncentrerad alkohol i upprätt position i tätt försluten behållare.

• Observera

Förvara inte explosiva ämnen eller behållare med lättantändliga drivmedel (grädde i sprayform, sprayburkar etc.) i enheten.

Detta kan orsaka explosion.

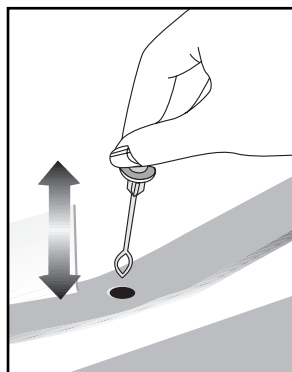
Avfrostning av enheten

Kylen avfrostas automatiskt. Avfrostningsvattnet rinner till dräneringsröret via en uppsamlingsbehållare på enhetens baksida.

Under avfrostning formas droppar på baksidan av frysen p.g.a. avdunstningsapparaten.

Om inte alla droppar rinner ner kan de frysa igen efter att avfrostningen är klar. Avlägsna dem med en mjuk trasa och varmt vatten. Använd inte hårda eller vassa objekt.

Kontrollera flödet med tinat vatten då och då. Det kan täppas till ibland. Dräneringsröret kan rensas med en piprensare eller liknande.



6 Underhåll och rengöring

- ⚠ Använd aldrig bensen, bensen eller liknande ämnen för rengöring.
- ⚠ Vi rekommenderar att du kopplar ur utrustningen före rengöring.
- ⚠ Använd aldrig vassa instrument eller slipande medel, tvål, rengöringsmedel, tvättmedel eller polish för rengöring.
- ⚠ För icke-No Frost-produkter kan vattendroppar och frost upp till en fingerbredd högt förekomma på den bakre väggen av kylutrymmet. Rengöra den inte; använd aldrig olja eller liknande medel på den.
- ⚠ Använd endast lätt fuktad mikrofibertrasa för att rengöra produktens yta. Svampar och andra typer av rengöringsprodukter kan repa produktens yta.
- 📌 Använd ljummet vatten för rengöring av enhetens skåp och torka det torrt.
- 📌 Använd en fuktig trasa urviden i en lösning av en tesked bikarbonatsoda till en halv liter vatten, torka ur interiören och torka sedan torrt.
- ⚠ Se till att inget vatten tränger in i lampkåpan och i andra elektriska tillbehör.
- ⚠ Om enheten inte kommer att användas under en längre tid, stäng då av den, plocka ur all mat, rengör den och lämna dörren på glänt.
- 📌 Kontrollera dörrtätningen regelbundet så att den är ren och fri från matrester.
- ⚠ För att ta bort ett dörrfack tar du först ur allt innehåll och trycker sedan enkelt upp det från sitt fäste.
- ⚠ Använd aldrig rengöringsmedel eller vatten med kloring för att rengöra de utvändiga ytorna och krombelagda delarna på produkten. Klorin orsakar korrosion på sådana metallytor.
- ⚠ Använd inte vassa och skrapande verktyg, eller tvål, rengöringsmedel för hemmabruk, rengöringsmedel, bensen, bensen, vax eller liknande, klistermärkena på plastdelarna lossnar då och deformation kan ske. Använd varmt vatten och en mjuk trasa för rengöring, torka sedan rent.

Skydd av plastytor

- 📌 Förvara inte rinnande olja eller mat som har tillagats i olja utan att vara tillslutna i kylskåpet, eftersom det kan skada kylskåpets plastytor. Om du spillar olja på plasten, rengör och skölj ytan direkt med varmvatten.

7 Rekommenderade lösningar på problem

Titta igenom listan innan du tillkallar service. Det kan spara både tid och pengar. Den här listan inkluderar vanliga klagomål som inte uppstår till följd av defekter i tillverkningen eller materialanvändningen. Vissa av funktionerna som beskrivs här kanske inte finns på din produkt

Kylen fungerar inte

- Är kylskåpet korrekt inkopplat? Sätt i vägguttaget.
- Har säkringen som är ansluten till kylskåpet gått? Kontrollera säkringen.

Kondens på kylskåpets sidoväggar.

- Mycket kalla omgivande förhållanden. Dörren öppnas och stängs ofta. Hög luftfuktighet i den omgivande luften. Lagring av mat med vätska i öppna behållare. Dörren har lämnats öppen.
- Vrid termostaten till ett kallare läge.
- Minska tiden som dörren lämnas öppen eller öppna inte så ofta.
- Täck över mat som lagras i öppna behållare med ett lämpligt material.
- Torka av kondens med en torr trasa och kontrollera om den ligger kvar.

Kompressorn går inte

- Det termiska skyddet i kompressorn kommer att lösas ut vid plötsliga strömavbrott då kylskåpets tryck i kylsystemet inte har balanserats. Ditt kylskåp startar efter omkring 6 minuter. Tillkalla service om kylskåpet inte startar i slutet av den här perioden.
- Frysens är i avfrostningsläge. Det här är normalt för en helautomatiskt avfrostande kyl. Avfrostningscykeln inträffar regelbundet.
- Kylskåpet är inte inkopplat i strömkällan. Se till att kontakten sitter ordentligt i vägguttaget.
- Är temperaturinställningen korrekt?
- Det är strömavbrott. Kontakta din elleverantör.

Kylskåpet körs ofta eller under en längre tid.

<ul style="list-style-type: none"> • Ditt nya kylskåp kan vara bredare än det gamla. Detta är helt normalt. Stora kylskåp arbetar under en längre tidsperiod. • Den omgivande rumstemperaturen kan vara hög. Detta är helt normalt. • Kylskåpet kan ha varit inkopplat nyligen eller ha fyllts på med mat. Det kan ta flera timmar innan kylskåpet har kylts ned helt. • Stora mängder mat kanske har placerats i kylskåpet nyligen. Varm mat gör att kylskåpet arbetar längre för att uppnå önskad temperatur. • Dörren kanske har öppnats ofta eller lämnats öppen under en längre tid. Den varma luften som har kommit in i kylskåpet gör att kylskåpet arbetar under längre perioder. Öppna inte dörrarna så ofta. • Frysens eller kylfackets dörr kanske har lämnats öppen. Kontrollera om dörren är ordentligt stängd.
Kylskåpet körs ofta eller under en längre tid.

<ul style="list-style-type: none"> • Kylskåpet är inställt på en mycket kall nivå. Justera kylskåpstemperaturen till en högre nivå tills temperaturen är enligt önskemål. • Dörrens tätning på kyl eller frys kan vara sliten, smutsig eller trasig. Rengör eller byt tätningen. Skadade tätningar kan göra att kylskåpet körs under en längre tid för att bibehålla den aktuella temperaturen.
Frystemperaturen är mycket låg när kyltemperaturen är normal.
<ul style="list-style-type: none"> • Frysens temperatur är inställd på en mycket kall nivå. Justera frystemperaturen till en högre nivå och kontrollera.
Kyltemperaturen är mycket låg när frystemperaturen är normal.
<ul style="list-style-type: none"> • Kylens temperatur är inställd på en mycket kall nivå. Justera kyltemperaturen till en högre nivå.
Mat som förvaras i kylskåpsfacken fryser.
<ul style="list-style-type: none"> • Kylens temperatur är inställd på en mycket kall nivå. Justera kyltemperaturen till en högre nivå.
Temperaturen i kylan eller frysen är mycket hög.

<ul style="list-style-type: none"> • Kylens temperatur är inställd på en mycket kall nivå. Kylinställningen påverkar frysens temperatur. Sänk temperaturen för kyl eller frys tills den ligger på acceptabel nivå. • Dörren kanske har öppnats ofta eller lämnats öppen under en längre tid. Varm luft passerar in i kyl eller frys när dörrarna öppnas. Öppna inte dörrarna så ofta. • Dörren kan ha lämnats öppen. Stäng dörren helt. • Stora mängder mat kanske har placerats i kylskåpet nyligen. Vänta tills kylan eller frysen uppnår önskad temperatur. • Kylskåpet kanske nyligen har varit urkopplat. Nedkyllningen kan ta tid. 	<ul style="list-style-type: none"> • Luftaktivatorer (fläktar) används för att låta kylan svalna effektivt. Detta är normalt och inte något fel.
<p>Kylskåpet dånar när det går.</p>	<p>Kondens på innerväggarna i kylskåpet.</p>
<ul style="list-style-type: none"> • Egenskaperna hos kylskåpet kan ändras enligt den omgivande temperaturen. Detta är normalt och inte något fel. 	<ul style="list-style-type: none"> • Varmt och fuktigt väder ökar isbildning och kondens. Detta är normalt och inte något fel. • Dörrarna är öppna. Kontrollera att dörren är helt stängd. • Dörrarna kan ha öppnats mycket ofta eller så kanske de har lämnats öppna under lång tid. Öppna inte dörrarna så ofta. • Vatten/fukt/is på kylskåpets utsida.
<p>Vibrationer eller felbalans.</p>	<p>Fukt bildas på kylskåpets utsida eller mellan dörrarna.</p>
<ul style="list-style-type: none"> • Golvet är ojämnt eller svagt. Kylskåpet skakar när det rör sig långsamt. Säkerställ att golvet är rakt, kraftigt och att det klarar tyngden från kylskåpet. • Ljudet kan orsakas av saker som ligger ovanpå kylan. Sådana saker ska plockas bort från kylens ovansida. 	<ul style="list-style-type: none"> • Vädet kan vara fuktigt. Det här är helt normalt vid fuktig väderlek. När fuktnivån är lägre försvinner kondensen.
<p>Det förekommer ljud som låter som dropp eller sprutning.</p>	<p>Dålig lukt inne i kylan.</p>
<ul style="list-style-type: none"> • Vätske- och gasflöden sker i enlighet med användningsprinciperna för ditt kylskåp. Detta är normalt och inte något fel. 	<ul style="list-style-type: none"> • Kylskåpets insida måste rengöras. Rengör kylskåpets insida med en svamp och varmt vatten. • Vissa behållare eller förpackningsmaterial kan orsaka lukt. Använd en annan behållare eller olika förpackningsmaterial.
<p>Det förekommer ljud som låter som vind.</p>	<p>Dörrarna går inte att stänga.</p>
	<ul style="list-style-type: none"> • De kan vara finnas mat i vägen. Byt ut förpackningarna som ligger ivägen för dörren. • Kylskåpet står antagligen inte helt plant på golvet och de kanske rör sig något när det förflyttas. Justera lyftsruvorna. • Golvet är inte helt plant eller tillräckligt starkt. Säkerställ att golvet är rakt, kraftigt och att det klarar tyngden från kylskåpet.
	<p>Grönsaker fastnar.</p>

- Maten kanske vidrör taket i lådan.
Sortera om maten i facket.

Produktens yta är varm.

- Medan produkten är i drift är temperaturen hög mellan de två dörrarna, på sidopanelerna och på bakgallret. Detta är normalt och inget serviceunderhåll krävs!

Vennligst les denne veiledningen først!

Kjære kunde,

Vi håper at produktet ditt, som er produsert ved moderne anlegg og som er kontrollert med strenge kvalitetskontrollprosedyrer, vil gi deg effektiv ytelse.

Derfor ber vi deg lese nøye gjennom denne veiledningen før du bruker produktet og beholde denne for fremtidig bruk.

Bruksanvisningen

- Vil hjelpe deg til å bruke apparatet på en hurtig og sikker måte.
 - Vennligst les bruksanvisningen før du installerer og bruker produktet.
 - Følg instruksjonene, spesielt de som angår sikkerheten.
 - Hold veiledningen lett tilgjengelig, siden du kan ha behov for den senere.
 - Les også de andre dokumentene som ble levert sammen med produktet.
- Vennligst merk at denne bruksanvisningen kan gjelde for flere andre modeller.

Symboler og beskrivelser av disse

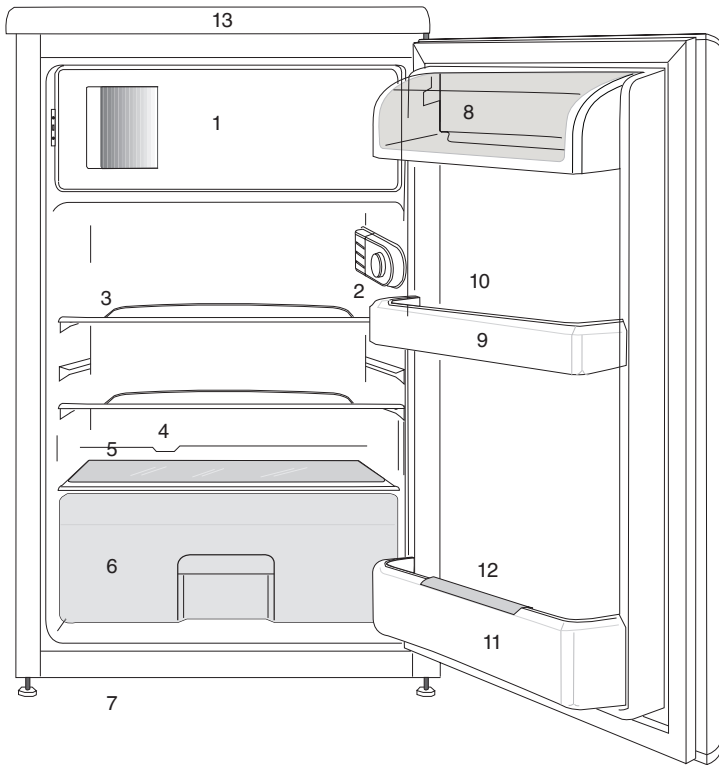
Denne veiledningen inneholder følgende symboler:

-  Viktig informasjon eller nyttige tips om bruk.
-  Advarsel om farlige tilstander for liv og eiendom.
-  Advarsel om elektrisk spenning.

INNHold

1 Kjøøl/frys	4	4 Forberedelse	13
2 Viktige sikkerhetsadvarsler	5	Omhengsling av dørene.....	15
Beregnet bruk.....	5	5 Bruke kjøøl/frys	17
For produkter med en vanddispenser:8		Frysing	17
Barnesikring	8	Frysing av matvarer	17
Samsvar med WEEE-direktivet og		Lag isbiter	18
Deponering av avfallsproduktet:	8	Lagring av frosne matvarer	18
Samsvar med RoHS-direktivet:.....	9	Avising av kjøøl/frys.....	18
Informasjon om emballasjen	9	Nedkjøling	19
HC-advarsel	9	Oppbevaring av mat	19
Ting å gjøre for å spare energi	9	Avising av kjøøl/frys.....	19
3 Installasjon	10	6 Vedlikehold og rengjøring	20
Punkter som er viktige ved ny		Beskyttelse av plastoverflater	20
transportering av kjøøl/frys	10	7 Anbefalte løsninger på problemer	21
Før du bruker kjøøl/frys.....	10		
Elektrisk tilkobling.....	10		
Bortskaffing av emballasjen.....	11		
Bortskaffing av det gamle kjøøl/frys. 11			
Plassering og installasjon	11		
Skifte belysningslampen	12		
Juster føttene.....	12		
Installasjon (under benken).....	12		

1 Kjøøl/frys



1. a) Frysedel og isbrett (for -modeller) b) Del for frossen mat og isbrett (for -modeller)
2. Internt lys og termostatbryter
3. Flyttbare hyller
4. Smeltevannsopsamlingskanal - avløpsrør
5. Grønnsaksoppbevaringslokk
6. Grønnsaksoppbevaring
7. Justerbare fremben
8. Del for melkeprodukter
9. Dørhyller
10. Eggbrett
11. Flaskehylle
12. Flaskegriper
13. Topplist

i Figurene i denne veiledningen er skjematiske og kan derfor være litt forskjellige fra ditt produkt. Hvis noen deler ikke medfølger produktet du har kjøpt, gjelder den for andre modeller.

2 Viktige sikkerhetsadvarsler

Vennligst les følgende informasjon. Hvis denne informasjonen ikke overholdes, kan det forårsake personskader eller materialskader. Videre vil garanti og pålitelighetsløfte bli ugyldig.

Levetiden for produktet du har kjøpt, er 10 år. Dette er perioden for å holde reservedeler som kreves for at enheten skal fungere slik som beskrevet.

Beregnet bruk

	ADVARSEL: Sørg for at ventilasjon såpningene i apparatets kabinett eller i den innebygde strukturen ikke blokkeres.
	ADVARSEL: Bruk ikke andre mekaniske innretninger eller midler for å akselerere avisingsprosessen enn det som er anbefalt av produsenten.
	ADVARSEL: Ikke skad kjølekretsen.
	ADVARSEL: Ikke bruk elektriske apparater inne i oppbevaringsrommene for mat i apparatet, med mindre de er av en type som anbefales av produsenten.

 **ADVARSEL:** Ikke oppbevar eksplosive stoffer, slik som aerosolbokser med antennelig drivmiddel i dette apparatet.

Dette apparatet er beregnet til bruk i husholdninger og lignende bruksområder som f.eks.

- kjøkkenområder med ansatte i butikker, kontorer og andre arbeidsmiljøer;
- gårdshus og av kunder i hoteller, moteller og andre typer boligmiljøer;
- overnattingssteder med frokost;
- catering og lignende bruksområder utenom detaljhandel.

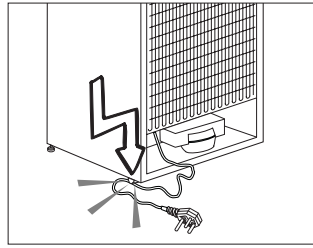
Generell sikkerhet

- Når du ønsker å kaste/skrote produktet, anbefaler vi at du forhører deg med autorisert service for å få nødvendig informasjon og autoriserte myndigheter.
- Hør med autorisert service når det gjelder alle spørsmål og problemer relatert til kjøøl/frys. Ikke foreta endringer eller la noen andre foreta endringer på kjøøl/frys uten å varsle autorisert service.
- For produkter med en fryserdel: Ikke spis iskrem med kjeks eller isbiter straks etter at du tar dem ut av fryseren!

(Dette kan forårsake frostbitt i munnen.)

- For produkter med en fryserdel: Ikke putt drikkevarer på flaske eller bokser i fryseren. Dette kan føre til at de sprekker.
- Ikke rør frossen mat med hendene, da disse kan hefte seg til hånden.
- Trekk ut støpselet før rengjøring eller avising.
- Damp og damprengjøringsmaterialer skal aldri brukes i rengjørings- og avtiningsprosesser for kjøøl/frys. I slike tilfeller kan dampen komme i kontakt med de elektriske planene og forårsake kortslutning eller elektrisk sjokk.
- Bruk aldri deler på kjøøl/frys slik som døren som støtte eller trinn.
- Ikke bruk elektriske innretninger på innsiden av kjøøl/frys.
- Ikke ødelegg delene der kjøølevæsken sirkulerer, med drill eller kutteverktøy. Kjøølevæsken som kan strømme ut når gasskanaler for fordampere, rørforlengelser eller overflatebelegg punkteres, kan forårsake hudirritasjon og øyeskader.
- Ikke dekk til eller blokker ventilasjonsåpningene på kjøøl/frys med noe materiale.
- Elektriske enheter må kun repareres av autoriserte personer. Reparasjoner som utføres av en inkompetent person kan forårsake fare for brukeren.
- I tilfelle feil under vedlikehold eller reparasjonsarbeid, kople fra kjøøl/fryss strømforsyning ved å slå av relevant sikring eller trekke ut støpselet.
- Ikke trekk etter ledningen når du trekker ut støpslet.
- Plasser drikkebeholdere tett lukket og stående.
- Lagre aldri spraybokser som inneholder antennelig og eksplosive stoffer i kjøøl/frys.
- Ikke bruk mekanisk utstyr eller andre midler for å akselerere avisingsprosessen annet enn slikt utstyr som produsenten anbefaler.
- Dette produktet er ikke beregnet til bruk av personer med fysiske, sensoriske eller mentale forstyrrelser eller personer som ikke er opplært eller ikke har erfaring (inkludert barn), med mindre det holdes under oppsyn av personer som er ansvarlige for deres sikkerhet eller som vil instruere dem tilstrekkelig i bruk av produktet.
- Ikke bruk et ødelagt kjøøleskap. Hør med serviceagenten hvis du har spørsmål.
- Elektrisk sikkerhet på kjøøl/frys kan garanteres kun hvis jordingen i hjemmet oppfyller standardene.

- Det er farlig å utsette produktet for regn, snø, sol og vind pga. elektrisk sikkerhet.
- Ta kontakt med autorisert service når en strømkabel skades for å unngå fare.
- Plugg aldri kjøl/frys inn i vegguttaket under installasjonen. Dette kan føre til fare for døden eller alvorlig skade.
- Dette kjøl/frys er kun beregnet til for å oppbevare mat. Det skal ikke brukes til noen andre formål.
- Merket med tekniske spesifikasjoner befinner seg på venstre vegg inne i kjøl/frys.
- Koble aldri kjøl/frys til strømsparesystemer, de kan skade kjøl/frys.
- Dersom det er et blått lys på kjøl/frys, ikke se på det med det blotte øye eller ved hjelp av optiske verktøy over lengre tid.
- For manuelt kontrollerte kjøleskap vent i minst 5 minutter for å starte kjøl/frys etter et strømbrydd.
- Denne brukerhåndboken skal overleveres til neste eier av produktet hvis det skifter eier.
- Unngå å skade strømkabelen ved transport av kjøl/frys. Bøying av kabelen kan forårsake brann. Plasser aldri tunge gjenstander på strømledningen. Ikke berør støpselet med våte hender når du kobler til produktet.



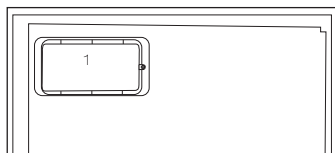
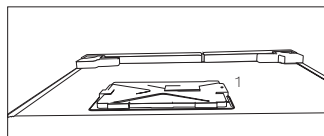
- Ikke koble til kjøl/frys hvis vegguttaket er løst.
- Ikke sprut vann direkte på de ytre eller indre delene av produktet av sikkerhetsmessige grunner.
- Ikke spray stoffer som inneholder antennelige gasser, slik som propangass i nærheten av kjøl/frys for å unngå brann- og eksplosjonsfare.
- Ikke plasser gjenstander som er fylt med vann oppå kjøl/frys, da det kan føre til elektrisk støt eller brann.
- Ikke overbelast kjøl/frys med for mye mat. Hvis det overlastes, kan maten falle ned og skade deg og kjøl/frys når du åpner døren. Ikke plasser gjenstander oppe på kjøl/frys, da disse kan falle ned ved åpning eller lukking av kjøleskapsdøren.
- Produkter som trenger en nøyaktig temperaturkontroll (vaksiner, varmesensitive medisiner, forskningsmaterialer osv.), skal ikke oppbevares i kjøl/frys.
- Hvis det ikke skal brukes på lang tid, skal kjøl/frys kobles fra strømuttaket. Et problem

i den elektriske kabelen kan føre til brann.

- Kjøøl/frys kan flytte seg hvis de justerbare beina ikke er riktig sikret på gulvet. Riktig sikring av justerbare bein på gulvet kan forhindre at kjøøl/frys flytter seg.
- Når du bærer kjøøl/frys, ikke hold det etter dørhåndtaket. Da kan det knekke av.
- Hvis du må plassere produktet ved siden av et annet kjøleskap eller fryser, skal avstanden mellom enheten være minst 8 cm. Ellers kan sideveggene som grenser til hverandre bli fuktige.

For produkter med en vanddispenser:

- For at vannkretsen i kjøleskapet skal være jevn, må vanntrykket vært mellom 1 og 8 bar. Hvis trykket i vannledningen er høyere enn 5 bar må man bruke en trykkregulator. Hvis vanntrykket er høyere enn 8 bar skal ikke dette kjøleskapets vannkrets kobles til vannforsyningen. Skaff deg profesjonell hjelp hvis du ikke har tilstrekkelig kunnskap om vanntrykk.
- Bruk kun drikkevann.
- Bruk aldri produktet hvis en del som ligger på toppen eller bak på produktet som har elektroniske kretskort inne, er åpen (deksel for elektronisk kretskort) (1).



Barnesikring

- Hvis du har en lås på døren, skal nøkkelen oppbevares utilgjengelig for barn.
- Barn må passes på for å sikre at de ikke tukler med produktet.

Samsvar med WEEE-direktivet og Deponering av avfallsproduktet:



Dette produktet er i samsvar med EU-direktivet som omhandler elektronisk og elektrisk utstyr (2012/19/EU). Dette produktet har et klassifiseringsymbol for sortering av avfall elektrisk og elektronisk utstyr (WEEE).

Dette produktet er laget av høykvalitetsdeler og -materialer som kan gjenbrukes og resirkuleres. Produktet skal ikke kastes sammen med normalt husholdningsavfall og annet avfall på slutten av levetiden. Ta det med til et innsamlingspunkt for resirkulering av elektriske og elektroniske innretninger. Vennligst forhør deg med de lokale myndighetene for å få opplysninger om slike innsamlingssteder.

Samsvar med RoHS-direktivet:

Produktet du har kjøpt er i samsvar med EU-RoHS-direktivet (2011/65/EU). Det inneholder ingen farlige eller forbudte substanser som er angitt i direktivet.

Informasjon om emballasjen

Emballasjen for dette produktet er produsert av resirkulerbart materiale, i hht. nasjonale miljøforskrifter. Ikke kast emballasjen sammen med normalt husholdningsavfall eller annet avfall. Ta dem til et lokalt innsamlingspunkt som er beregnet på emballasjematerialer.

HC-advarsel

Hvis produktets kjølesystem inneholder R600a:

Denne gassen er brennbar. Derfor, vær forsiktig så kjølesystemet og rørene ikke ødelegges under bruk og transport. I tilfelle skade skal produktet holdes på avstand fra potensielle brannkilder som kan gjøre at produktet begynner å brenne, og ventiler rommet der enheten er plassert.

Ignorer denne advarselen hvis produktets kjølesystem inneholder R134a:

Typen gass som brukes i produktet er oppgitt på typeskiltet som finnes på venstre vegg inne i kjøøl/frys.

Kast aldri produktet inn i flammer.

Ting å gjøre for å spare energi

- Ikke hold dørene til kjøøl/frys åpne over lang tid.
- Ikke putt varm mat eller drikke i kjøøl/frys.
- Ikke overlast kjøøl/frys slik at luften sirkulerer inne i kjøøl/frys hvis den ikke forhindres.
- Ikke installer kjøøl/frys under direkte sollys eller i nærheten av varmeutstrålende apparater, slik som ovn, oppvaskmaskin eller radiator.
- Se til å holde maten i lukkede beholdere.
- For produkter med en fryserdel: Du kan lagre maksimale mengder mat i fryseren hvis du fjerner hyllene eller skuffen i fryseren. Energiforbruksverdien som er oppgitt for kjøøl/frys har blitt bestemt ved å fjerne fryserhyllene eller skuffen og under maksimal last. Det er ingen fare ved bruk av hyllene eller skuffen i henhold til form og størrelse på maten som skal fryses.
- Opptining av frossenmat i kjøleskapsdelen vil både gi energisparing og bevare matkvaliteten.

3 Installasjon

⚠ Vennligst husk at produsenten ikke skal holdes ansvarlig hvis informasjonen som gis i bruksanvisningen ikke overholdes.

Punkter som er viktige ved ny transportering av kjøøl/frys

1. Kjøøl/frys må tømmes og rengjøres før transport.
2. Hyller, tilbehør, grønnsaksoppbevaringsboks osv. i kjøøl/frys må festes godt med teip mot støt før innpakning.
3. Innpakningen må festes med tykk teip og sterke tau, og transportreglene på pakningen må følges.

Vennligst ikke glem...

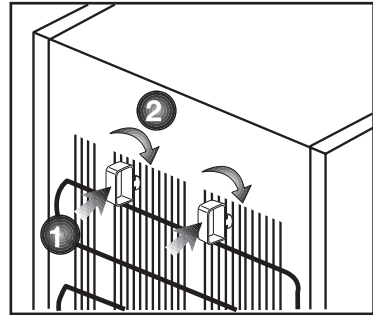
Hvert resirkulert material er en uunnværelig kilde for naturen of for de nasjonale ressursene.

Hvis du ønsker å bidra til resirkulering av pakkematerialene, kan du få mer informasjon fra miljømyndigheter eller lokale myndigheter

Før du bruker kjøøl/frys

Før du begynner å bruke kjøøl/frys må du kontrollere følgende:

1. Er de indre delene av kjøøl/frys tørre, og kan luften sirkulere fritt på baksiden av skapet?
2. Installer de 2 plastkildene slik som vist på figuren. Plastkiler vi gi nødvendig avstand mellom kjøøl/frys og vegg for å kunne gjøre det mulig med luftsirkulasjon. (Den illustrerte figuren er kun et eksempel og samsvarer ikke helt med ditt produkt.)



3. Rengjør de indre delene av kjøøl/frys slik som anbefalt i avsnittet "Vedlikehold og rengjøring".
4. Sett kjøøl/fryss støpsel inn i uttaket. Hvis kjøleskapsdøren er åpen, vil lyset inne i skapet tennes.
5. Du vil høre en lyd når kompressoren starter opp. Væsken og gassene som er foreglet inne i kjølesystemet også kan lage litt støy, selv om kompressoren ikke går, og dette er helt normalt.
6. Frontkantene på kjøøl/frys kan føles varme. Dette er normalt. Disse områdene er designet til å være varme for å unngå kondens.

Elektrisk tilkobling

Tilkople produktet til et jordet uttak som er beskyttet av en sikring med riktig kapasitet.

Viktig:

- Tilkoplingen skal være i overensstemmelse med nasjonale forskrifter.
- Strømledningens støpsel skal være lett tilgjengelig etter installasjon.

- Oppgitt spenning må tilsvare spenningen i strømnettet ditt.
- Skjøtekabler og flerveisplugger skal ikke brukes for tilkobling.

⚠ En ødelagt strømledning skal skiftes ut av en kvalifisert elektriker.

⚠ Produktet skal ikke brukes før det er reparert! Det er fare for elektrisk støt!

Bortskaffing av emballasjen

Innpakningsmaterialer kan være farlige for barn. Hold innpakningsmaterialene utilgjengelig for barn eller kast dem ved sortering etter avfallsforskriftene. Ikke kast dem sammen med normalt husholdningsavfall.

Emballasjen for maskinen din er produsert av resirkulerbare materialer.

Bortskaffing av det gamle kjøøl/frys

Bortskaff det gamle kjøøl/frys uten å skade miljøet.

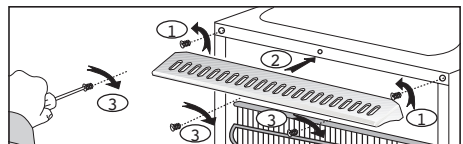
- Du kan forhøre deg med din autoriserte forhandler eller avfallssorteringssenteret der du bor om bortskaffing av kjøøl/frys ditt.

Før du bortskaffer kjøøl/frys, kutt av strømstøpselet, og hvis det finnes låser på døren, se til at de ikke lenger virker, slik at barn beskyttes mot all fare.

Plassering og installasjon

1. Plasser ikke kjøøl/frys ved varmekilder, fuktige steder og i direkte sollys.
2. Det skal være tilstrekkelig luftventilasjon rundt kjøøl/frys for å oppnå en effektiv drift. Hvis kjøøl/frys skal plasseres i en innbygging i veggen, må det være minst 5 cm avstand fra taket og 5 cm fra veggen. Hvis gulvet er dekket med et teppe, skal produktet heves 2,5 cm fra gulvet.
3. Plasser kjøøl/frys på jevn gulvoverflate for å unngå støt.

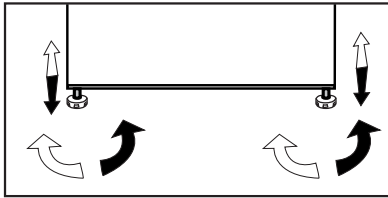
Hvis apparatet er utstyrt med et luftegitter, vennligst se for installering av luftegitter.



Juster føttene

Hvis kjøleskapet ikke er balansert:

Du kan balansere kjøleskapet ved å rotere frontbeina slik som illustrert på figuren. Hjørnet der beina finnes senkes når du roterer dem i retningen av den svarte pilen og løftes når du roterer i motsatt retning. Det er lettere hvis du får hjelp til å løfte kjøleskapet mens du gjennomfører denne prosessen.



Skifte belsningsslampen

For å skifte lampen for belsning av kjøleskapet, vennligst ring autorisert service.

Lampen(e) som brukes i denne enheten er ikke egnet for belsning i hjem. Formålet for denne lampen er å hjelpe brukeren til å plassere matvarer i kjøleskapet/fryseren på en trygg og komfortabel måte.

De lampen die in dit apparaat worden gebruikt moeten bestendig zijn tegen extreme fysieke omstandigheden, zoals temperaturen beneden de -20°C.

Installasjon (under benken)

- Intern høyde på benken skal være 820 mm.(!) Komfyrer eller andre varmekilder skal ikke plasseres over benken der apparatet er installert under benken.
- Strømuttaket i vegg skal befinne seg rett til venstre eller høyre for apparatet.
- Fjern toppdekslet på apparatet. Det er 4 skruer (2 stk. på baksiden, 2 stk. under frontkanten) som skal fjernes. Fig. 1
- Kutt delen som vist på bildet, og fjern den ved hjelp av tang.
- Plasser apparatet under benken, og juster frontføttene inntil toppen når benken.

For å kunne bruke produktet under benken skal avstanden mellom vegg og referansen indikert i toppforbindelsesplaten være minst 595 mm.

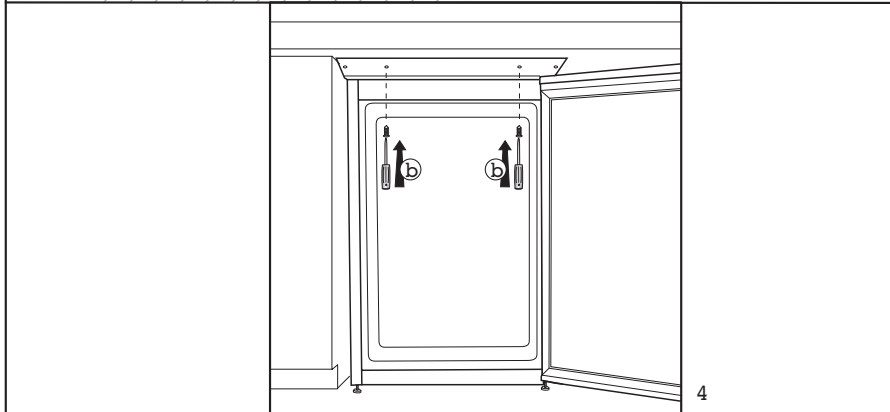
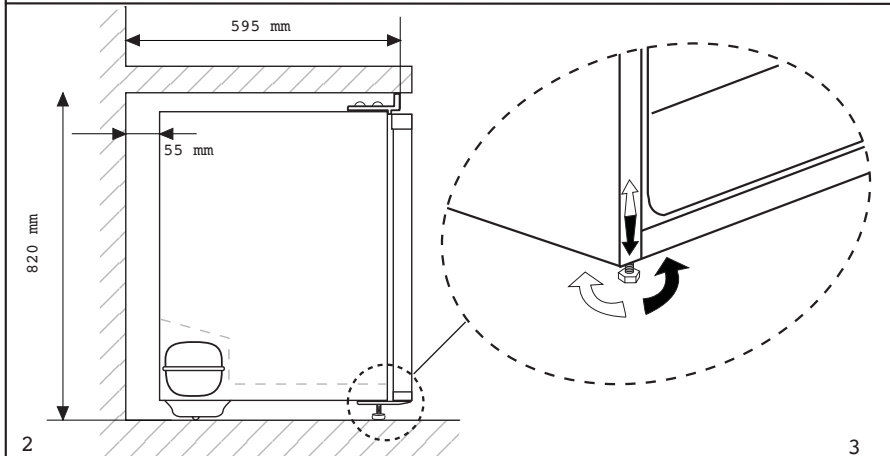
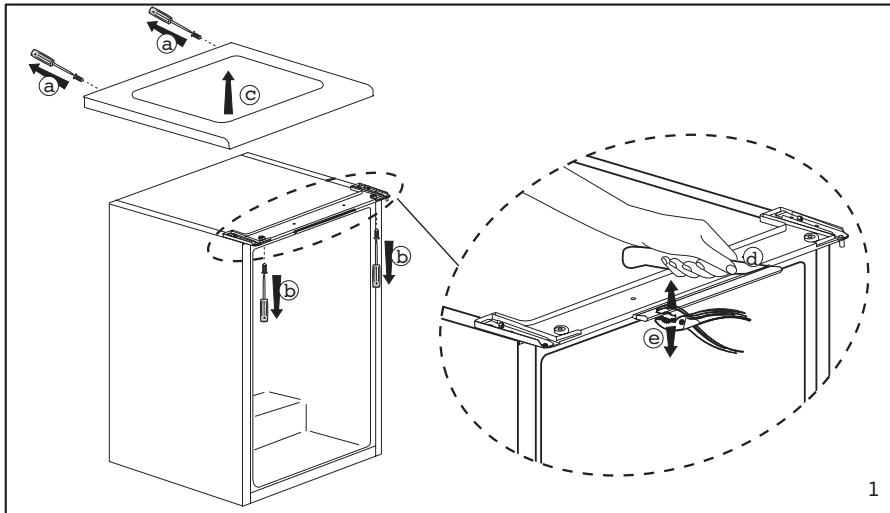
Fig. 2-3

- Fest apparatet under benken ved bruk av 2 av skruene som ble fjernet fra toppdekslet. (Materialet på benken må være plast- eller trebasert!)

Fig. 4

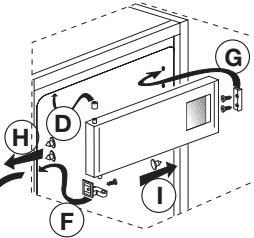
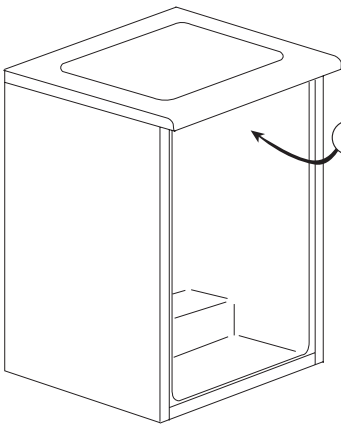
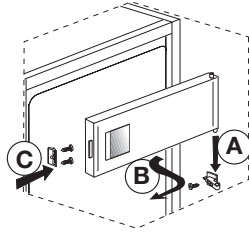
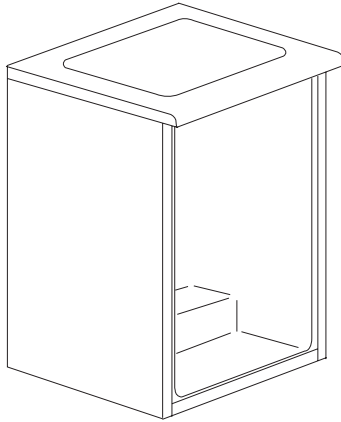
4 Forberedelse

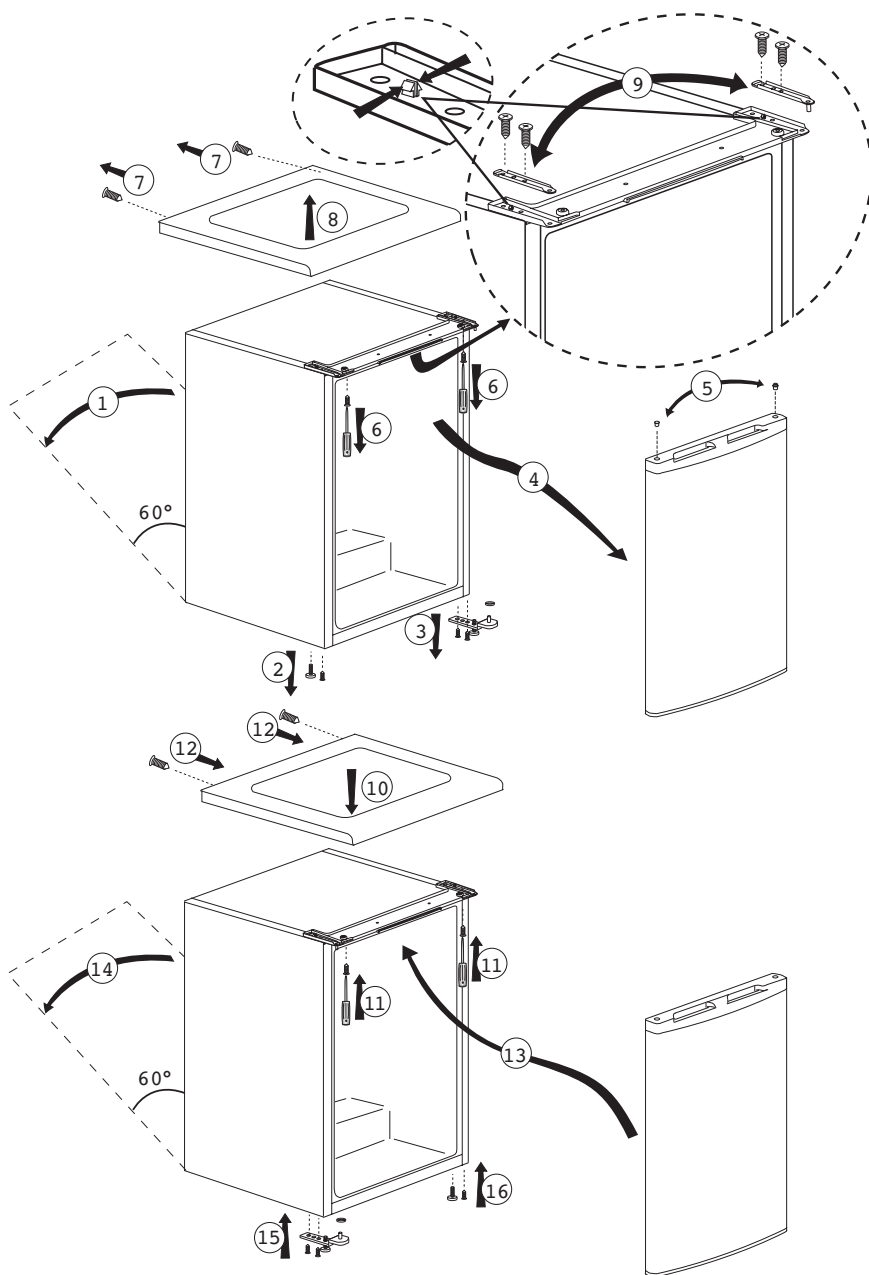
- Kjøøl/frys skal installeres minst 30 cm på avstand fra varmekilder, slik som f.eks. komfyrer, ovner, sentralvarme og kokeplater, samt minst 5 cm borte fra elektriske ovner og skal ikke plasseres i direkte sollys.
- Omgivelsestemperaturen i det rommet der kjøøl/frys plasseres skal være minst 10°C. Bruk av kjøøl/frys under kaldere forhold enn dette anbefales ikke pga. effektiviteten.
- Vennligst se til at de indre delene av kjøøl/frys rengjøres grundig.
- Hvis to kjøøleskap skal installeres ved siden av hverandre, skal det være en avstand på minst 2 cm mellom dem.
- Når du bruker kjøøl/frys for første gang, vennligst følg instruksene rundt de første seks timene.
- Døren skal ikke åpnes ofte.
- Det skal kun brukes tomt uten mat.
- Ikke trekk ut støpselet for kjøøl/frys. Hvis et strømbrudd oppstår som du ikke kan kontrollere, vennligst se advarsler i avsnittet "Anbefalte løsninger på problemer".
- Originalinnpakningen og skummaterialer skal beholdes for fremtidig transport eller flytting.
- Grunnet temperatursvingninger som følge av åpning/lukking av produktets dør under drift, er kondens på hyller i døren og på selve enheten, foruten på glassbeholdere, normalt.



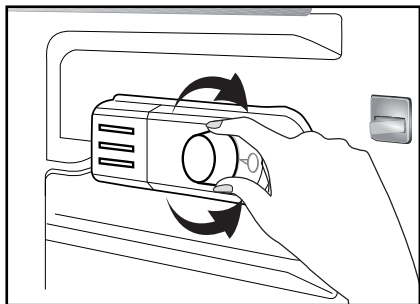
Omhengsling av dørene

Gå frem i nummerrekkefølge .

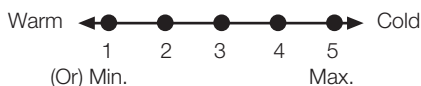




5 Bruke kjøøl/frys



Driftstemperaturen justeres med temperaturkontrollen.



1 = Laveste kjøleinnstilling (Varmeste innstilling)

5 = Høyeste kjøleinnstilling (Kaldeste innstilling)

(eller)

Min. = Laveste kjøleinnstilling (Varmeste innstilling)

Maks. = Høyeste kjøleinnstilling (Kaldeste innstilling)

Gjennomsnittstemperaturen inne i kjøøl/frys bør ligge på om lag +5°C.

Vennligst velg innstilling etter ønsket temperatur.

Du kan stoppe bruken av apparatet ved å stille termostadbryteren til "0"-stillingen.

Vennligst merk at det vil være ulike temperaturer i kjøleområder.

Det kaldeste området er rett ovenfor grønnaksområdet.


Interiørtemperaturen avhenger også av omgivelsestemperaturen, hvor ofte døren åpnes og mengde mat som oppbevares inne i skapet.

Hvis døren åpnes ofte, kan temperaturen inne i kjøøl/frys øke.

Av denne grunn anbefales det å lukke døren igjen så snart som mulig etter bruk.

Frysing

Frysing av matvarer

Fryseområdet er merket med  dette symbolet.

Du kan bruke innretningen til å fryse fersk mat, samt lagre mat som allerede er frossen.

Vennligst se anbefalingene på pakningen av maten.

• OBS

Ikke frys drikkevarer, da frossen væske kan sprengte flasken.

Vær forsiktig med frosne produkter slik som fargede isterninger.

Ikke gå ut over frysekapasiteten i apparatet over 24 timer. Se typebetegnelsen.

For å opprettholde kvaliteten på maten må frysingen skje så raskt som mulig.

Dermed vil ikke frysekapasiteten overstiges, og temperaturen inne i fryseren vil ikke stige.

• OBS

Hold alltid dypfrossen mat på avstand fra fersk mat.

Ved dypfrysing av varm mat, vil kjølekompressoren jobbe inntil maten er helt frossen. Dette kan føre til midlertidig nedkjøling av kjøleskapsdelen.

Hvis det er vanskelig å åpne fryserdøren rett etter at du har lukket den, trenger du ikke bekymre deg. Dette er pga. trykkforskjellen som gradvis vil utjevne seg og la døren åpnes som vanlig etter noen få minutter.

Du vil høre en vakuumljud rett etter du lukker døren. Dette er helt normalt.

Lag isbiter

Fyll isbitbrettet 3/4 fullt med vann og plasser det i fryseren.

Så snart vannet er blitt til is kan du ta ut isterningene.

Ikke bruk skarpe gjenstander som kniver eller gafler til å fjerne isen. Det er fare for skade!

La isen tine lett eller hold bunnen av brettet i varmt vann i kort tid.

Lagring av frosne matvarer

Delen for frossen mat er merket med **(**)** dette symbolet.

Delen for frossen mat egner seg for lagring av mat som allerede er frossen. Se alltid på anbefalingene om matvaren egner seg for fryselagring.

Avising av kjøl/frys

Store isansamlinger vil redusere effektiviteten på fryseren.

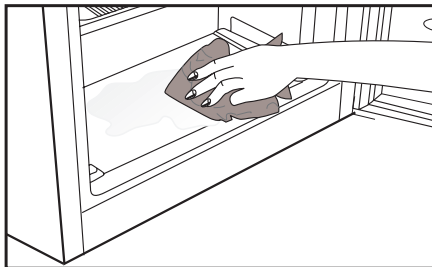
Det anbefales derfor at du aviser innretninga minst 2 ganger årlig eller når isdannelsen overstiger 7 mm

Avis innretningen når det er lite eller ingen mat i den.

Ta ut den dypfrosne maten. Pakk den dypfrosne maten inn i flere lag papir, eller i et teppe, og hold den på en kjølig plass.

Kople fra innretningen eller slå av eller fjern sikringen for å starte avisingsprosessen.

Ta ut tilbehør (for eksempel hylle, skuff osv.) fra innretningen og bruk en passende beholder for å samle opp smeltevannet.



Bruk en svamp eller myk klut for å fjerne smeltevann ved behov ved frysedelen.

(*)** Og delen for frossenmat **(**)**

Hold døren åpen under avising. For hurtigere avising kan det plasseres beholdere med varmtvann inne i skapet.

Ikke bruk elektriske apparater, avisingspray eller spisse eller skarpe gjenstander som kniver eller gafler til å fjerne isen.

Etter avising er fullført, rengjør insiden.

Kople apparatet til strømuttaket igjen. Putt tilbake den frosne maten i skuffer og inn i fryseren.

Nedkjøling

Oppbevaring av mat

Kjøleskapsdelen brukes for kortvarig oppbevaring av ferske matvarer og drikkevarer.

Lagre melkeprodukter i tiltenkt del i kjøøl/frys.

Flasker kan oppbevares i flaskeholderen eller i flaskehyllen i døren.

Rått kjøtt oppbevares best i polyetylenpose i delen helt på bunnen av kjøøl/frys.

La varm mat og drikke kjøle seg ned i romtemperatur før de plasseres i kjøøl/frys.

• OBS

Lagre konsentrert alkohol i beholder kun stående og godt lukket.

• OBS

Lagre aldri eksplosive stoffer eller beholdere med brennbar drivgass (trykkbeholder for krem, sprayflasker og liknende) i kjøøl/frys.

Det er fare for eksplosjon.

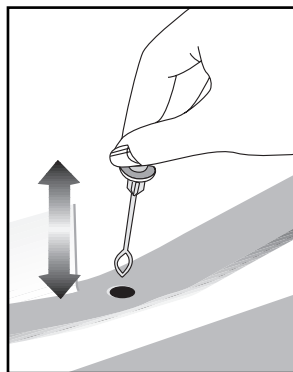
Avising av kjøøl/frys

Kjøleskapsdelen ises av automatisk. Avisingsvannet renner ned avløpsrøret via et samlekar på baksiden av apparatet.

Under avising vil det danne seg vandrdåper bakerst i kjøøl/frys pga. fordampning.

Hvis ikke alle dråpene renner ned, kan de fryse igjen etter at avisningen er fullført. Fjern dem med en myk klut fuktet med varmt vann. Ikke bruk harde eller skarpe gjenstander.

Kontroller flyten på smeltevannet av og til. Det hender at det kan tilstoppes. Rengjør ved hjelp av en piperenser eller noe tilsvarende.



6 Vedlikehold og rengjøring

- ⚠ Bruk aldri bensin, benzen eller lignende stoffer til rengjøring.
- ⚠ Vi anbefaler at du trekker ut støpselet på apparatet før rengjøring.
- ⚠ Bruk aldri noen skarpe redskaper eller rengjøringsmidler med skureeffekt, såpe, rengjøringsmidler for hjemmebruk eller voks til rengjøringen.
- ⚠ I andre enn No Frost-produkter dannes det vanndråper og isklumper på opptil en fingerbreddes størrelse på baksiden av kjøleskapet. Ikke rengjør kjøleskapet og påfør heller aldri olje eller lignende midler.
- ⚠ Bruk bare lett fuktet mikrofiberduk til å rengjøre produktets ytre overflate. Svamper og andre typer rengjøringskluter vil kunne skrape opp overflaten.
- ℹ Bruk lunkent vann for å vaske skapet og tørk det tørt.
- ℹ Bruk en fuktig klut vridd opp i en oppløsning av en teskje bikarbonatsoda til ca. ½ liter vann for å rengjøre innsiden av skapet og tørk det tørt.
- ⚠ Pass på at det ikke kommer vann inn i pærehuset eller andre elektriske gjenstander.
- ⚠ Hvis kjøøl/frys ikke skal brukes over en lengre periode, må du trekke ut støpselet, ta ut alle matvarer, rengjøre det og sette døren på klem.
- ℹ Kontroller pakningene til dørene jevnlig for å sikre at de er rene og fri for matrester.
- ⚠ For å demontere dørstativene tar du først ut alt innholdet og så skyver du ganske enkelt dørstativet opp fra bunnen.
- ℹ Bruk aldri rengjøringsmidler eller vann som inneholder klor til å rense de ytre overflatene og krombelagte delene av produktet. Klor forårsaker korrosjon på slike metallflater.

Beskyttelse av plastoverflater

- ℹ Ikke putt flytende oljer eller oljekokte måltider i kjøøl/frys i uforseglede beholdere, da disse kan ødelegge plastoverflatene i kjøøl/frys. Ved søling eller smøring av olje på plastoverflater, rengjør og rens relevant del av overflaten med en gang med varmt vann.

7 Anbefalte løsninger på problemer

Kontroller følgende liste før du ringer service. Det kan spare deg tid og penger. Denne listen inkluderer hyppige klager som ikke oppstår fra defekt utføring eller materialbruk. Noen av funksjonene som beskrives her finnes kanskje ikke i ditt produkt.

Kjøleskapet virker ikke	Kjøleskapet går hyppig eller over lang tid.
<ul style="list-style-type: none">• Er kjøleskapet plagget inn? Sett støpselet inn i strømuttaket.• Har sikringen til uttaket kjøleskapet er tilknyttet eller hovedsikringen gått? Kontroller sikringen.	<ul style="list-style-type: none">• Det nye kjøleskapet kan være bredere enn det gamle. Dette er helt normalt. Store kjøleskap arbeider over lengre tidsperioder.• Romtemperaturen kan være høy. Dette er helt normalt.• Kjøleskapet kan ha vært plagget inn nylig eller blitt lastet med mat. Fullstendig nedkjøling av kjøleskapet kan ta et par timer lenger.• Store mengder varm mat har blitt lagt inn i kjøleskapet nylig. Varm mat forårsaker lengre drift av kjøleskapet inntil den oppnår sikker oppbevaringstemperatur.• Dørene kan ha vært åpnet hyppig eller stått på gløtt i lang tid. Varm luft som har kommet inn i kjøleskapet gjør at kjøleskapet kjører over lang tid. Åpne dørene mindre hyppig.• Fryser- eller kjøleskapsdør kan ha stått på gløtt. Kontroller om dørene er tett lukket.• Kjøleskapet er justert til svært kald temperatur. Juster kjøleskapets temperatur til høyere grad og vent inntil temperaturen er oppnådd.• Dørtetningen til kjøleskapet eller fryseren kan være tilsmusset, utslitt, ødelagt eller ikke på plass. Rengjør eller skift ut tetningen. Skadet/ødelagt tetning gjør at kjøleskapet går over lang tid for å opprettholde aktuell temperatur.
Kondens på sideveggen av kjøleskapet. (MULTI ZONE, COOL CONTROL og FLEXI ZONE)	Frysertemperaturen er svært lav, mens kjøleskapstemperaturen er tilstrekkelig.
<ul style="list-style-type: none">• Svært kalde omgivelsesforhold. Hyppig åpning eller lukking av døren. Svært fuktige omgivelsesforhold. Lagring av mat som inneholder væske i åpne beholdere. Døren står på gløtt.• Still termostaten til kaldere grad.• Reduser tiden døren står åpen eller bruk mindre hyppig.• Dekk til mat som lagres i åpne beholdere med egnet materiale.• Tørk av kondensen med en tørr klut og kontroller om problemet fortsetter.	<ul style="list-style-type: none">• Fryserens temperatur er justert til svært lav temperatur. Juster fryserens temperatur til høyere grad og kontroller.
Kompressoren går ikke	
<ul style="list-style-type: none">• Termovern for kompressoren vil koples ut under plutselig strømbrydd eller utplugging og innplugging hvis kjølevæsketrykket i kjølesystemet til kjøleskapet ikke er balansert.• Kjøleskapet vil starte etter ca. 6 minutter. Vennligst ring service hvis kjøleskapet ikke starter etter utløpet av denne tiden.• Kjøleskapet er i defrostsyklus. Dette er normalt for helautomatisk avisningskjøleskap. Avisningssyklusen gjennomføres regelmessig.• Kjøleskapet er ikke tilkoplest strømuttaket. Kontroller at støpselet er satt godt inn i kontakten.• Er temperaturinnstillingene foretatt riktig? Det er strømbrydd. Ring strømløseleverandøren.	

<p>Kjøleskapstemperaturen er svært lav, mens frysertemperaturen er tilstrekkelig.</p>	<p>Det er lyder som ligner væskesøl eller spraying.</p>
<ul style="list-style-type: none"> • Kjøleskapets temperatur er justert til svært lav temperatur. Juster kjøleskapets temperatur til høyere grad og kontroller. 	<ul style="list-style-type: none"> • Væske- og gasstrømninger skjer etter virkeprinsippene til kjøleskapet. Dette er helt normalt og er ingen feil.
<p>Mat som oppbevares i skuffene fryser.</p>	<p>Det høres støy som om det blåser vind.</p>
<ul style="list-style-type: none"> • Kjøleskapets temperatur er justert til svært lav temperatur. Juster kjøleskapets temperatur til høyere grad og kontroller. 	<ul style="list-style-type: none"> • Luftvifter brukes for at kjøleskapet skal kjøle effektivt. Dette er helt normalt og er ingen feil.
<p>Temperaturen i kjøleskapet eller fryseren er svært høy.</p>	<p>Kondens på de indre veggene på kjøleskapet.</p>
<ul style="list-style-type: none"> • Kjøleskapets temperatur er justert til svært høy grad. Kjøleskapsjusteringen har virkning på temperaturen til fryseren. Endre temperaturen i kjøleskapet eller fryseren inntil kjøleskapets eller fryserens temperatur når et tilstrekkelig nivå. 	<ul style="list-style-type: none"> • Varmt og fuktig vær øker ising og kondens. Dette er helt normalt og er ingen feil.
<ul style="list-style-type: none"> • Døren kan ha stått på gløtt. Lukk døren helt. • Store mengder varm mat har blitt lagt inn i kjøleskapet nylig. Vent inntil kjøleskap eller fryser når ønsket temperatur. • Kanskje kjøleskapet nettopp ble tilkoblet. Fullstendig nedkjøling av kjøleskapet tar tid pga. størrelsen. 	<ul style="list-style-type: none"> • Dørene står på gløtt. Se til at dørene lukkes fullstendig.
<p>Støy som ligner lyden av sekunder som høres fra en analog klokke kommer fra kjøleskapet.</p>	<p>Fuktighet oppstår på utsiden av kjøleskapet eller mellom dørene.</p>
<ul style="list-style-type: none"> • Støyen kommer fra solenoidventilen på kjøleskapet. Solenoidventilen har til hensikt å sikre at kjølemiddelet passerer gjennom delen som kan justeres til kjøle- eller frysetemperaturer og utføre kjølefunksjoner. Dette er normalt og er ingen feil. 	<ul style="list-style-type: none"> • Været kan være fuktig. Dette er helt normalt ved fuktig vær. Når fuktigheten er lavere, vil kondensen forsvinne.
<p>Driftslyden øker når kjøleskapet går.</p>	<p>Dårlig lukt inne i kjøleskapet.</p>
<ul style="list-style-type: none"> • Ytelseegenskapene til kjøleskapet kan endres etter endringene i omgivelsestemperaturen. Dette er helt normalt og er ingen feil. 	<ul style="list-style-type: none"> • Det må rengjøres inni kjøleskapet. Rengjør innsiden av kjøleskapet med en svamp, varmt vann eller karbonert vann. • Noen beholdere eller innpakningsmaterialer kan forårsake lukten. Bruk en annen beholder eller annet merke på innpakningsmaterialet.
<p>Vibrasjon eller klapping.</p>	<p>Døren(e) lukkes ikke.</p>
<ul style="list-style-type: none"> • Gulvet er ikke jevnt eller er svakt. Kjøleskapet vugger når det flyttes sakte. Se til at gulvet er jevnt, sterkt og har evne til å bære kjøleskapet. • Støyen kan forårsakes av gjenstandene som legges inn i kjøleskapet. Slike gjenstander skal fjernes fra toppen av kjøleskapet. 	<ul style="list-style-type: none"> • Matpakninger forhindrer lukking av døren. Flytt pakninger som forhindrer lukking av døren. • Kjøleskapet er antagelig ikke plassert helt vertikalt på gulvet og kan vugge når det beveges forsiktig. Juster høydeskruene. • Gulvet er ikke jevnt eller sterkt. Se til at gulvet er jevnt og har evne til å bære kjøleskapet.

Grønnsaksoppbevaringsboksene sitter fast.

- Mat kan berøre taket i skuffen. Ordne maten i skuffen på nytt.

Hvis Produktets Overflate Er Varm.

- Det kan oppstå høye temperaturer mellom de to dørene, på sideplatene og baksiden av produktet når det er i bruk. Dette er helt normalt og krever ikke vedlikehold.

Lue tämä käyttöopas ensin!

Hyvä asiakas,
toivomme, että nykyaikaisissa tuotantolaitoksissa valmistamamme ja erittäin huolellisella laadunvalvonnalla tarkastettu tuote toimii käytössäsi mahdollisimman tehokkaasti.

Tämän varmistamiseksi toivomme, että luet huolellisesti koko käyttöoppaan ennen jääkaapin käyttöön ottoa, ja säilytät sitä helposti saatavilla tulevaa käyttöä varten.

Tämä käyttöopas




- Auttaa käyttämään jääkaappia nopeasti ja turvallisesti.
- Lue käyttöopas ennen jääkaapin asennusta ja käyttöä.
- Noudat ohjeita, erityisesti niitä, jotka koskevat turvallisuutta.
- Säilytä käyttöopasta helposti saatavilla olevassa paikassa, sillä voit tarvita sitä myöhemmin.

Lue myös muut tuotteen mukana tulleet asiakirjat.

Huomaa, että tämä käyttöopas voi soveltua myös muihin malleihin.

Symbolit ja niiden kuvaus

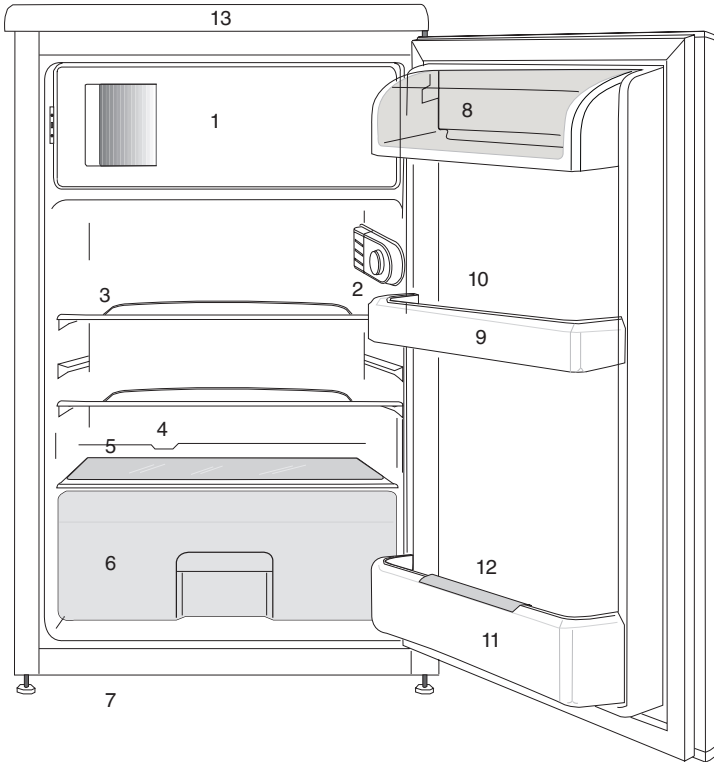
Tässä käyttöoppaassa käytetään seuraavia symboleja:

-  Tärkeitä tietoja tai hyödyllisiä käyttövihjeitä.
-  Varoitus hengelle ja omaisuudelle vaarallisista olosuhteista.
-  Varoitus sähköjännitteestä.

SISÄLTÖ

1 Jääkaappi/pakastina	4	4 Valmistelu	12
2 Turvallisuutta ja ympäristöä koskevia ohjeita	5	Ovien uudelleen sijoitus.....	14
Yleiset turvallisuusohjeet.....	5	5 Jääkaappi/pakastina	16
Käyttötarkoitus.....	7	Pakastaminen.....	16
Lasten turvallisuus.....	7	Ruoan pakastaminen.....	16
WEEE-direktiivin noudattaminen ja jätteiden hävittäminen.....	7	Jääpalojen teko.....	17
Yhdenmukaisuus RoHS-direktiivin kanssa.....	8	Pakastetun ruuan säilyttäminen.....	17
Pakkauksen tiedot.....	8	Laitteen sulattaminen.....	17
3 Asennus	9	Jäähdytys.....	18
Jääkaapin kuljetuksessa huomioitavat asiat.....	9	Ruokien säilytys.....	18
Ennen käyttöönottoa.....	9	Laitteen sulattaminen.....	18
Sähköliitännät.....	9	6 Ylläpito ja puhdistus	19
Pakkauksen hävittäminen.....	10	Muoviosien suojelu.....	19
Vanhan jääkaapin hävittäminen.....	10	7. Suositellut ongelmanratkaisut	20
Sijoittaminen ja asennus.....	10		
Jalkojen säätäminen.....	11		
Lampun vaihtaminen.....	11		
Asennus (työtason alapuolelle).....	11		

1 Jääkaappi/pakastina







- | | |
|--|------------------------|
| 1. a.) Pakastuslokero ja jääpalalokero (mallit + + +) b.) Pakastelokero ja jääpalalokero (mallit * *) | 6. Vihanneslokero |
| 2. Sisävalo ja termostaattivalitsin | 7. Säädetävät etujalat |
| 3. Irrotettavat hyllyt | 8. Maitotuotesasto |
| 4. Sulatusveden keräyskanava - kuivatusputki | 9. Ovihyllyt |
| 5. Vihanneslokeron kansi | 10. Munalokero |
| | 11. Pullohylly |
| | 12. Pullonpidike |
| | 13. Yläkarmi |

! Tämän ohjekirjan kuvitus on kaavakuviin perustuvaa eikä se ehkä vastaa täysin todellista tuotetta. Jos jokin osa puuttuu ostamastasi tuotteesta, kuvaus koskee muita malleja.

2 Turvallisuutta ja ympäristöä koskevia ohjeita

Tämä osio sisältää tarvittavat turvallisuusohjeet vammojen ja materiaalien vahinkojen välttämiseksi. Näiden ohjeiden noudattamatta jättäminen mitätöi tuotetakuun.

Käyttötarkoitus

	VAROITUS: Pidä laitteen ja rakenteiden tuuletusaukot esteettöminä.
	VAROITUS: Älä käytä sulatusprosessin nopeuttamiseen mekaanisia tai muita keinoja, joita valmistaja ei suosittele.
	VAROITUS: Älä vaurioita kylmänekiertoa.
	VAROITUS: Älä käytä sähkölaitteita laitteen ruokalokeroissa, jolleivät ne ole valmistajan suosittelemia.

Tämä laite on tarkoitettu kotitalouskäyttöön ja vastaaviin sovelluksiin kuten

- henkilökunnan keittiötiloihin myymälöissä, toimistoissa ja muissa työympäristöissä:

maatilamajoituksen ja hotellien, motellien sekä muiden asuintilojen asiakkaille:

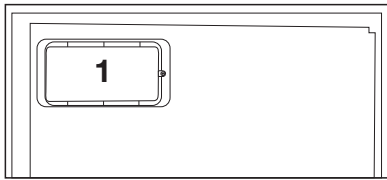
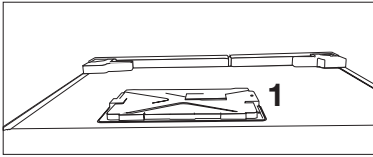
aa m i a i s m a j o i t u s t y y p p i s i i n ympäristöihin:

pitopalveluille ja vastaaviin epäkaupallisiin sovelluksiin.

Yleiset turvallisuusohjeet

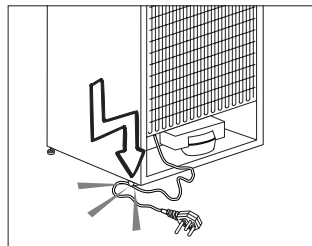
- Tätä laitetta ei ole tarkoitettu sellaisten henkilöiden (mukaan lukien lapset) käyttöön, joiden fyysiset, sensoriset tai henkiset kyvyt eivät ole riittäviä tai joilta puuttuu kokemusta ja tietoa laitteen käyttämiseksi, ellei heitä ohjata vastuullisen henkilön toimesta. Lapset eivät saa leikkiä tämän laitteen kanssa.
- Jos laitteessa ilmenee toimintahäiriö, irrota laite virtalähteestä.
- Irrotettuasi laitteen virtalähteestä, odota vähintään 5 minuuttia ennen kuin kytket sen takaisin kiinni virtalähteeseen. Irrota laite virtalähteestä, kun sitä ei käytetä. Älä koske liittimeen märin käsin! Älä irrota laitetta virtalähteestä johdosta vetämällä, vaan tartu aina pistotulppaan.
- Älä kytke pistoketta pistorasiaan, mikäli se on irtonainen.
- Irrota laite virtalähteestä asennuksen, huollon, puhdistuksen ja korjauksen ajaksi.
- Jos tuotetta ei käytetä vähään aikaan, irrota pistoke pistorasiasta ja poista elintarvikkeet sen sisältä.
- Älä käytä höyryä tai höyrytettyjä puhdistusaineita jääkaapin puhdistamiseen tai jään sulattamiseen sen sisältä. Höyry voi päästä sähköistetyille alueille ja aiheuttaa oikosulun tai sähköiskun!

- Älä pese laitetta suihkuttamalla tai kaatamalla vettä sen päälle! Sähköiskun vaara!
- Älä koskaan käytä tuotetta jos osa tuotteen edessä tai takana, missä elektroninen piirilevy sijaitsee on auki (elektronisen piirilevyn suojaus) (1).



- Jos laitteessa ilmenee vikoja, sitä ei tule käyttää sähköiskuvaaran vuoksi. Ota yhteyttä valtuutettuun huoltopisteeseen ennen mitään toimenpiteitä.
- Liitä laite maadoitettuun pistorasiaan. Maadoitus tulee suorittaa valtuutetun sähköasentajan toimesta.
- Jos tuotteessa on LED-valot, ota yhteyttä valtuutettuun huoltopisteeseen niiden vaihtamiseksi tai mikäli niissä ilmenee häiriöitä.
- Älä koske pakastettuun ruokaan märin käsin! Se voi tarttua kiinni käsiisi!
- Älä aseta nesteitä sisältäviä pulloja tai tölkkejä pakastelokeroon. Ne voivat roiskua ulos!


- Aseta nesteet jääkaappiin pystyasennossa suljettuasi ensin korkit tiukasti kiinni.
- Älä suihkuta helposti syttyviä aineita tuotteen lähellä, koska se saattaa syttyä tuleen tai räjähtää.
- Älä säilytä herkästi syttyviä materiaaleja ja syttyviä kaasuja (spray-pulloja yms.) sisältäviä tuotteita jääkaapissa.
- Älä aseta nesteitä sisältäviä astioita laitteen päälle. Sähköiselle osalle osuva roiskuva vesi voi aiheuttaa sähköiskun ja tulipalon vaaran.
- Laitteen altistuminen sateelle, lumelle, auringonvalolle tai tuulelle aiheuttaa sähköisen vaaran. Älä siirrä laitetta ovenkahvasta vetämällä. Kahva saattaa irrota.
- Varo, ettei kätesi tai muu vartalonosasi joudu puristuksiin laitteen sisällä olevien liikkuvien osien väliin.
- Älä nojaa tai astu oven, vetimien tai jääkaapin muiden vastaavien osien päälle. Tämä voi aiheuttaa laitteen kaatumisen ja osien vaurioitumisen.
- Varo, ettet astu virtajohdon päälle.



HC-varoitus

Mikäli laitteessa on jäähdytysjärjestelmä, joka käyttää R600a-kaasua, varo vahingoittamasta

jäähdytysjärjestelmää ja sen putkea käyttäessäsi ja siirtäessäsi sitä. Tämä kaasu on helposti syttyvää. Jos jäähdytysjärjestelmä on vahingoittunut, pidä laite etäällä herkästi syttyvistä aineista ja tuuleta huone heti.

	Sisäpuolella, vasemmalla olevassa merkissä on ilmoitettu laitteen käyttämän kaasun tyyppi.
---	--

Mallit, joissa on

vedenannostelija

- Kylmän veden tulopaineen tulee olla enintään 90 psi (620 kPa). Mikäli vedenpaine ylittää 80 psi (550 kPa), käytä vesijohtojärjestelmässä paineenrajoitusventtiiliä. Mikäli et tiedä, miten vedenpaine mitataan, pyydä apua putkiasentajalta.
- Mikäli järjestelmässäsi on paineiskun vaara, käytä asennuksessa paineiskunestolaitetta. Kysy neuvoa putkiasentajalta, mikäli et tiedä, liittyykö järjestelmäsi paineiskun vaara.
- Älä asenna kuuman veden tuloon. Suorita putkien jäätyminen estämiseksi tarvittavat varoimet. Käytettävän veden lämpötilan tulee olla vähintään 0,6 °C ja enintään 38 °C.
- Käytä vain juomavettä.

Käyttötarkoitus

- Tämä tuote on tarkoitettu kotitalouskäyttöön. Sitä ei ole tarkoitettu kaupalliseen käyttöön.

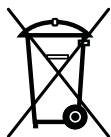
- Tuotetta tulee käyttää vain elintarvikkeiden varastoimiseen.
- Älä säilytä jääkaapissa herkkiä tuotteita, jotka vaativat säädeltä lämpötilaa (rokotteet, lämpöherkät lääkkeiden, lääkeaineet jne.).
- Valmistaja ei vastaa mistään vahingoista, jotka ovat aiheutuneet laitteen virheellisestä tai varomattomasta käsittelystä.
- Alkuperäiset varaosat toimitetaan 10 vuotta ostopäivämäärästä laskettuna.

Lasten turvallisuus

- Säilytä pakkausmateriaalit lasten ulottumattomissa.
- Älä anna lasten leikkiä laitteella.
- Jos tuotteen ovesa on lukko, säilytä avain lasten ulottumattomissa.

WEEE-direktiivin noudattaminen ja jätteiden hävittäminen

Tämä tuote täyttää EU:n WEEE-direktiivissä (2012/19 / EU) asetetut vaatimukset. Tässä tuotteessa on sen sähkö- ja elektroniikkalaiteromuluokan (WEEE) ilmaiseva symboli.



Tämä tuote on valmistettu laadukkaista osista ja materiaaleista, jotka voidaan käyttää uudelleen ja ne soveltuvat kierrätykseen. Älä hävitä käytöstä poistettua

laitetta kotitalousjätteen ja muun jätteen seassa. Toimita se sähkö- ja elektronikkalaitteiden keräyspisteeseen. Lisätietoja keräyspisteistä saat paikallisilta viranomaisilta.

Yhdenmukaisuus RoHS-direktiivin kanssa

- Tämä tuote täyttää EU:n WEEE-direktiivissä (2011/65/EU) asetetut vaatimukset. Se ei sisällä direktiivissä määriteltyjä haitallisia ja kiellettyjä aineita.

Pakkauksen tiedot

- Tuotteen pakkausmateriaalit on valmistettu kierrätettävistä materiaaleista kansallisten ympäristösäädösten mukaisesti. Älä hävitä pakkausmateriaaleja kotitalousjätteiden tai muiden jätteiden seassa. Toimita ne paikallisten viranomaisten nimeämään pakkausmateriaalien keräyspisteeseen.

3 Asennus

⚠ Valmistaja ei ole vastuussa, jos käyttöoppaassa annettuja ohjeita ei noudateta.

Jääkaapin kuljetuksessa huomioitavat asiat

1. Jääkaappi/pakastin on aina tyhjennettävä ja puhdistettava ennen kuljetusta.
2. Jääkaapin hyllyt, lisävarusteet, vihanneslokerot jne., on kiinnitettävä paikoilleen kunnolla teipillä niiden suojaamiseksi tärinältä ennen uudelleenpakkausta.
3. Pakkaus on sidottava vahvoilla teipeillä ja naruilla ja pakkaukseen painettuja kuljetusohjeita on noudatettava.

Älä unohda...

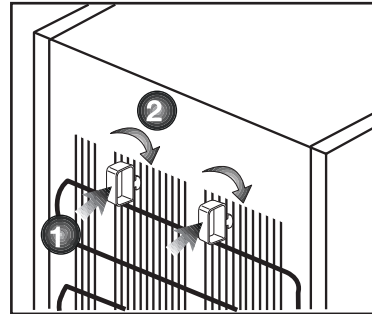
Kaikki kierrätetyt materiaalit ovat korvaamaton lähde luonnolle ja kansallisille resursseille.

Jos haluat osallistua pakkausmateriaalien kierrätykseen, saat lisätietoja ympäristöosastoilta tai paikallisilta viranomaisilta.

Ennen käyttöönottoa

Tarkista seuraavat seikat ennen kuin alat käyttää jääkaappi/pakastina:

1. Ovatoiko jääkaapin sisäpinnat kuivia ja kiertääkö ilma vapaasti jääkaapin takana?
2. Asenna 2 muovikiilaa kuten kuvassa on esitetty. Muovikiilat varmistavat vaadittavan etäisyyden jääkaapin ja seinän välillä ilman kierron takaamiseksi. (Kuva on vain esimerkki eikä vastaa tuotetta täsmällisesti.)



3. Puhdista jääkaapin sisäpinnat, kuten on suositeltu osassa "Ylläpito ja puhdistus".
4. Liitä jääkaapin virtajohto pistorasiaan. Kun jääkaapin ovi avataan, jääkaapin sisätilan valo syttyy.
5. Kuulet ääntä, kun kompressorikäynnistyy. Jäähdytysjärjestelmään suljetut nesteet ja kaasut voivat myös aiheuttaa jonkin verran ääntä silloinkin, kun kompressorikäynnissä. Se on aivan normaalia.
6. Jääkaapin etureunat voivat tuntua lämpimiltä. Tämä on normaalia. Näiden alueiden on suunniteltu olevan lämpimiä kondensaation estämiseksi.

Sähköliitännät

Liitä jääkaappi/pakastin maadoitettuun pistorasiaan, joka on suojattu riittävän tehokkaalla sulakkeella.

Tärkeää:

- Liitännän on oltava kansallisten säädösten mukainen.
- Virtakaapelin pistokkeen on oltava helposti saatavilla asennuksen jälkeen.

- Määritetyn jännitteen on oltava sama kuin sähköverkolla.
- Liitäntään ei saa käyttää jatkokaapeleita tai haaroitusrasioita.

⚠ Vahingoittunut virtakaapeli on jätettävä pätevän sähkötekniikon vaihdettavaksi.

⚠ Tuotetta ei saa käyttää ennen kuin se on korjattu! Muuten se voi aiheuttaa sähköiskun!

Pakkauksen hävittäminen

Pakkausmateriaali voi olla lapsille vaarallista. Pidä pakkausmateriaali lasten ulottumattomissa tai hävitä se lajittelemalla jätteidenhävitysohjeiden mukaisesti. Älä hävitä pakkausmateriaalia kotitalousjätteen mukana.

Jääkaapin pakkaus on valmistettu kierrätettävistä materiaaleista.

Vanhan jääkaapin hävittäminen

Hävitä vanha jääkaappi/pakastin aiheuttamatta vahinkoa ympäristölle.

- Voit ottaa yhteyden valtuutettuun jälleenmyyjään tai kunnalliseen jätehuoltokeskukseen saadaksesi ohjeet jääkaapin hävittämisestä.

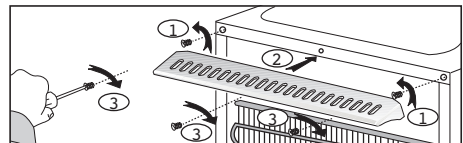
Ennen kuin hävität jääkaapin, leikkaa virtapistoke irti, ja jos ovesta on lukitus, tee siitä toimintakyvön, jottei siitä koidu vaaraa lapsille.

Sijoittaminen ja asennus

⚠ Jos oviaukko jääkaapin asennushuoneeseen ei ole tarpeeksi leveä, soita valtuutettuun huoltoon ja pyydä heitä irrottamaan jääkaapin ovet, jolloin se saattaa mahtua ovesta sivuttain.

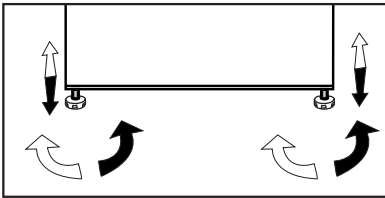
1. Asenna jääkaappi/pakastin paikkaan, jossa sitä on helppo käyttää.
2. Pidä jääkaappi/pakastin etäällä lämmönlähteistä, kosteista paikoista ja suoralta auringonpaisteelta.
3. Jääkaapin ympärillä on oltavaa tilaa kunnolliselle tuuletukselle, jotta se toimisi tehokkaasti. Jos jääkaappi/pakastin asetetaan seinän syvennykseen, väliä kattoon ja seiniin on jäätävä vähintään 5 cm. Jos lattia on päällystetty matolla, jääkaapin on oltava koholla lattiaista vähintään 2,5 cm.
4. Aseta jääkaappi/pakastin tasaisella lattiapinnalle tärinän ehkäisemiseksi.

Jos laite on varustettu ilmaritilällä, katso ilmaritilän asennusohjeet.



Jalkojen säätäminen

Jos jääkaappi on epätasapainossa Voit tasapainoittaa jääkaapin kiertämällä etujalkoja, kuten kuvassa. Kulma, jossa jalka sijaitsee, laskeutuu, kun jalkaa kierretään mustan nuolen suuntaisesti ja nousee, kun sitä kierretään vastakkaiseen suuntaan. Toimenpidettä helpottaa, jos joku toinen autaa nostamalla hieman jääkaappia.



Lampun vaihtaminen

Ota yhteyttä valtuuttuun huoltoon, kun jääkaapin lamppu on vaihdettava.

Tämän kodinkoneen valaisin/valaisimet eivät sovellu huoneen valaisemiseen. Valaisimen tarkoitus on auttaa käyttäjää sijoittamaan elintarvikkeet jääkaappiin/pakastimeen on turvallisella ja mukavalla tavalla.

Tässä laitteessa käytettävien lamppujen tulee kestää äärimmäisiä olosuhteita kuten alle 20 °C lämpötiloja.

Asennus (työtason alapuolelle)

- Työtason sisäpuolen korkeuden tulee olla 820 mm.
- (!) Liesiä tai muita lämmön lähteitä ei saa sijoittaa työtasolle, jonka alle laite asennetaan.
- Verkkopistorasian tulee olla lähellä laitteen oikealla tai vasemmalla puolella.
- Irrota laitteen yläsuojus. Näet 4 ruuvia (2 takana ja 2 alla etureunassa), jotka on poistettava.

Kuva 1

- Leikkaa kuvassa esitetty osa ja irrota se pihdeillä.
- Sijoita laite työtason alapuolelle ja säädä etujalkoja kunnes laitteen yläosa koskettaa työtasoa.
- Jotta voit käyttää laitetta työtason alapuolella, etäisyyden seinästä ja ylämuoviliitännän merkissä olevan etäisyyden tulee olla vähintään 595 mm.

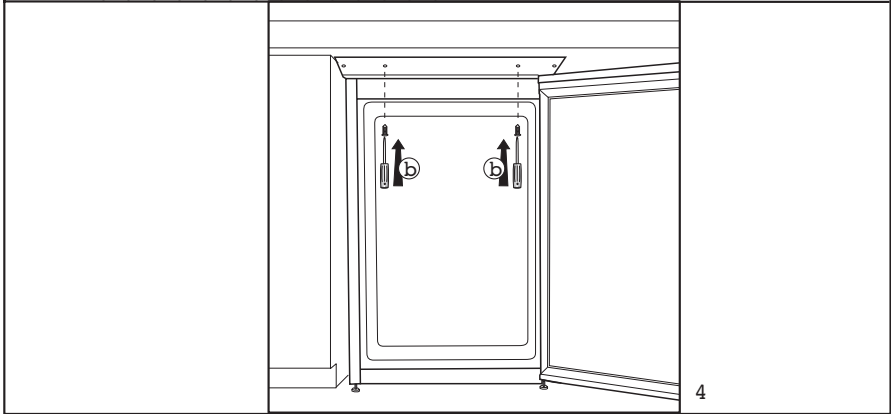
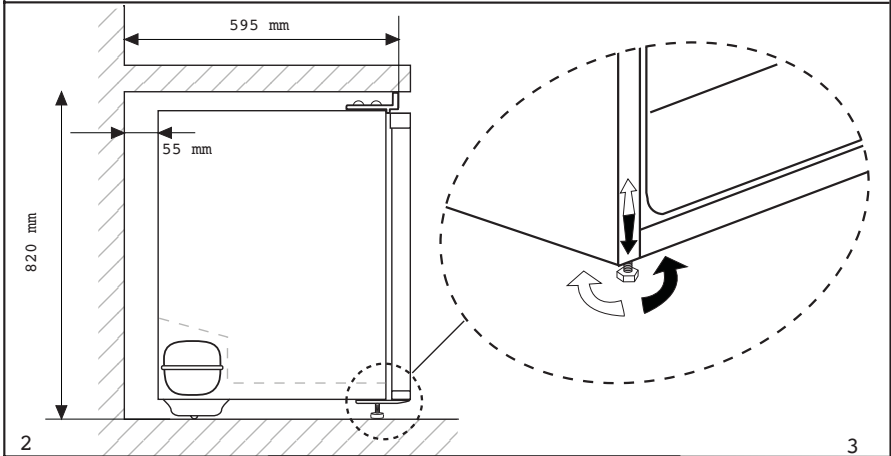
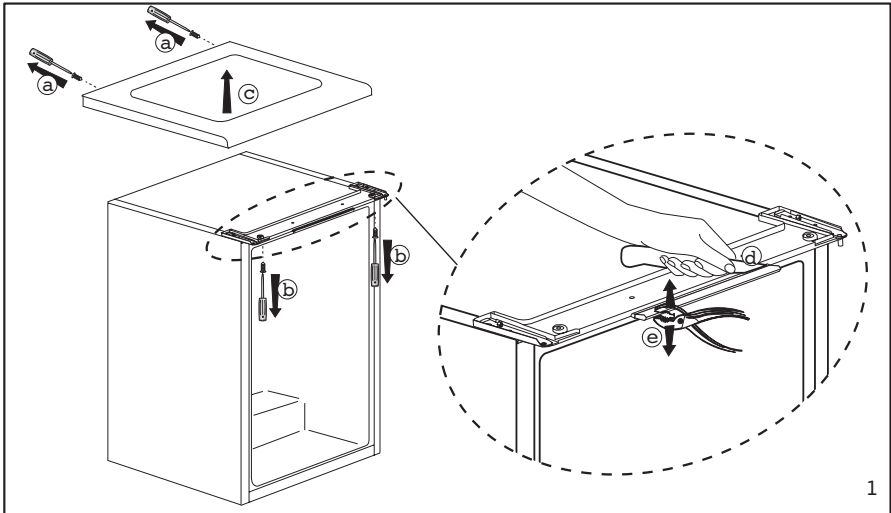
Kuva 2-3

- Kiinnitä laite työtason alapuolelle yläkannesta irrotetuilla 2 ruuvilla. (Työtason materiaalin tulee olla muoviva tai puuta!)

Kuva 4

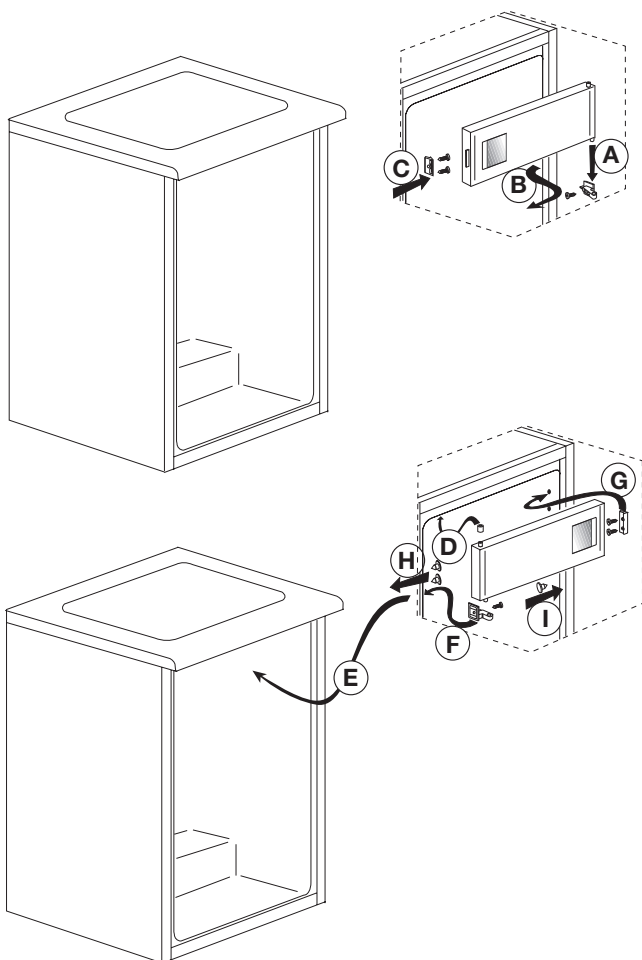
4 Valmistelu

- Jääkaappi/pakastin on asennettava vähintään 30 cm:n etäisyydelle lämmönlähteistä, kuten keittotaso, liesi, keskuslämmitin ja uuni sekä vähintään 5 cm:n etäisyydelle sähköliedestä, eikä sitä saa sijoittaa suoraan auringonpaisteeseen.
- Jääkaapin sijoitushuoneen lämpötilan on oltava vähintään 10 °C. Jääkaapin käyttöä kylmemmissä olosuhteissa ei suositella, sillä sen tehokkuus kärsii.
- Varmista, että jääkaapin sisäpinta on puhdistettu huolellisesti.
- Jos kaksi jääkaappi/pakastina asennetaan rinnakkain, niiden väliin on jätettävä tilaa vähintään 2 cm.
- Kun käytät jääkaappi/pakastina ensimmäistä kertaa, huomioi seuraavat ohjeet ensimmäisten kuuden tunnin aikana.
- Ovea ei saa avata jatkuvasti.
- Jääkaappi/pakastina on käytettävä tyhjänä ilman elintarvikkeita.
- Älä irrota jääkaappi/pakastina verkkovirrasta. Jos ilmenee itsestäsi riippumaton virtakatkos, katso varoitukset osassa "Suositellut ongelmanratkaisut".
- Alkuperäiset pakkaus- ja vahtomuovimateriaalit kannattaa säilyttää tulevaa kuljetusta tai siirtoa varten.
- Laitteen oven avaamisen/ sulkemisen käynnissä oloaikana aiheuttaman lämpötilan muutoksen vuoksi, veden tiivistyminen oven/ rungon hyllyihin ja lasiastioihin on normaalia.

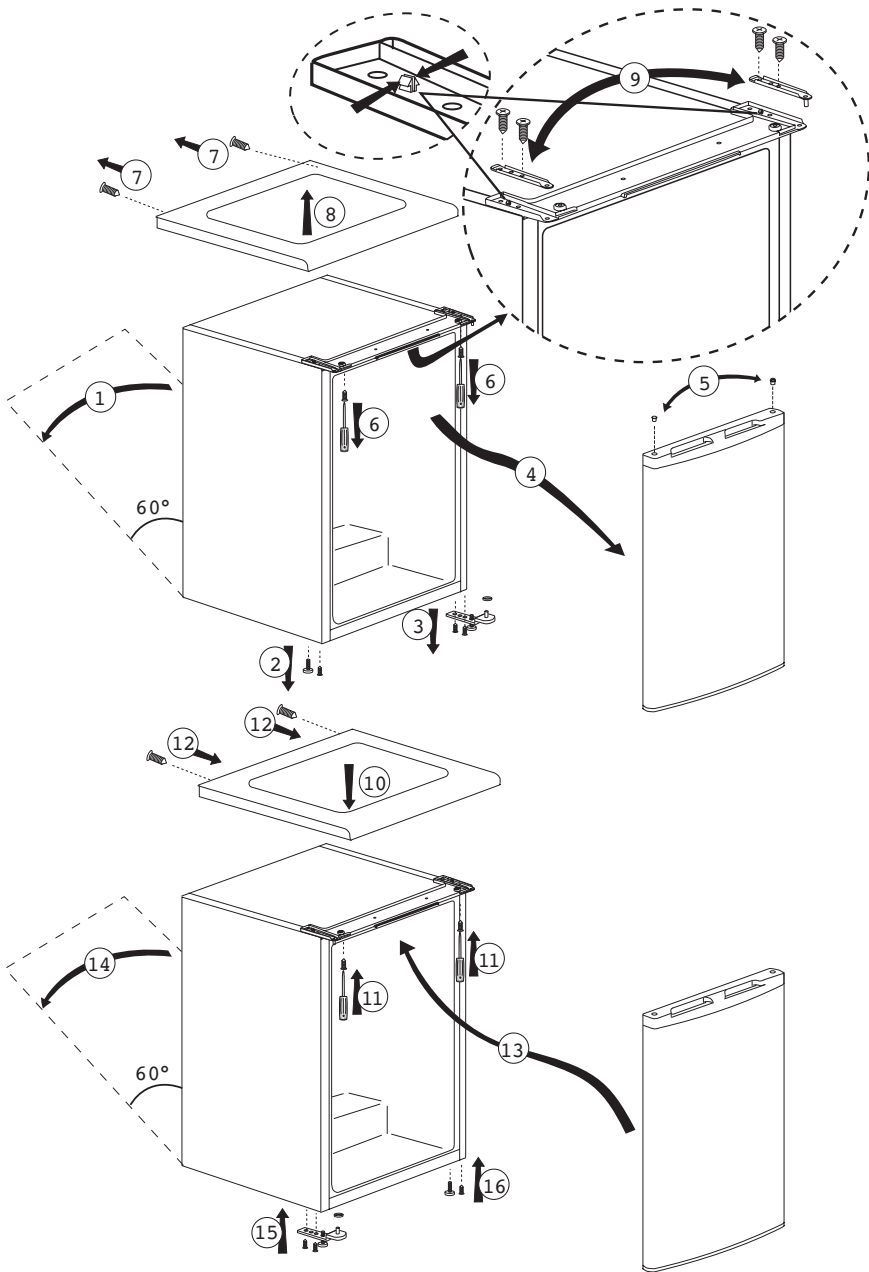


Ovien uudelleen sijoitus

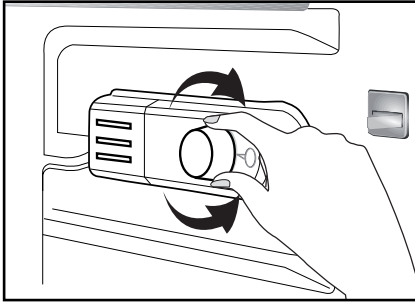
Etene numerojärjestyksessä.



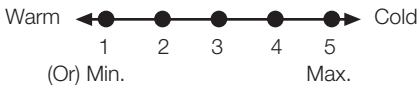
a



5 Jääkaappi/pakastina



Käyttölämpötilaa säädetään lämpötilasäätimellä.



1 = Pienin jäähdytysasetus (Lämpimin asetus)

5 = Suurin jäähdytysasetus (Kylmin asetus)

(tai)

Min. = Pienin jäähdytysasetus (Lämpimin asetus)

Max. = Suurin jäähdytysasetus (Kylmin asetus)

Jääkaapin keskilämpötilan tulee olla noin +5° C.

Aseta asetus halutun lämpötilan mukaan.

Voit pysäyttää laitteen toiminnan kiertämällä termostaattivalitsimen asentoon "0".

Huomaa, että jäähdytysalueella on eri lämpötiloja.

Kylmin alue on välittömästi vihanneslokero yläpuolella.


Sisälämpötila riippuu myös ympäröivästä lämpötilasta, oven avaamistiheydestä ja laitteessa olevien ruokien määrästä.

Oven jatkuva avaaminen aiheuttaa sisälämpötilan nousun.

Tästä syystä suositellaan, että ovi suljetaan välittömästi käytön jälkeen.

Pakastaminen

Ruoan pakastaminen

Pakastuslokero on merkitty tällä  symbolilla.

Voit käyttää laitetta tuoreen ruoan pakastamiseen sekä pakasteruokien säilytykseen

Tarkista ruokien päällysteen suositukset.

• Huomio

Älä pakasta hiilihappojuomia, sillä jäätyvä neste saattaa rikkoa pullon.

Ole varovainen pakastetuotteiden, kuten värillisten jääkuutioiden, käsittelyssä.

Älä ylitä laitteen pakastuskykyä 24 tuntiin. Katso luokituskilpi.

Ruuan laadun säilyttämiseksi on pakastuksen tapahduttava mahdollisimman nopeasti.

Silloin ei pakastuskapasiteettia ylitetä eikä pakastimen sisälämpötila nouse.

• Huomio

Säilytä jo pakastetut ruuat eri osastossa kuin juuri pakastimeen laitettu tuoreruoka.

Kun pakastat kuumia ruokia, jäähdytyskompressori toimii, kunnes ruoka on täysin pakastunut. Tämä voi tilapäisesti johtaa jääkaappi/pakastinaosan liialliseen kylmenemiseen.

Jos pakastimen oven avaaminen heti sulkemisen jälkeen on hankalaa, älä huolestu. Tämä johtuu paine-eroista, jotka tasoittuvat, jolloin oven voi avata normaalisti muutaman minuutin kuluttua.

Kuulet tyhjiöäänänen heti oven sulkemisen jälkeen. Tämä on aivan normaalia.

Jääpalojen teko

Täytä jääpalarasia $\frac{3}{4}$ täyteen vettä ja laita se pakastimeen.

Heti kun vesi on jäätynyt, voit ottaa jääpalat esiin.

Älä käytä teräviä esineitä, kuten veitsiä tai haarukoita, jääpalojen irrottamiseen. Ne aiheuttavat loukkaantumisvaaran!

Anna jääpalojen sen sijaan hieman sulaa tai aseta astian pohja hetkeksi kuumaan veteen.

Pakastetun ruuan säilyttäminen

Pakastelokero on merkitty tällä ****** symbolilla.

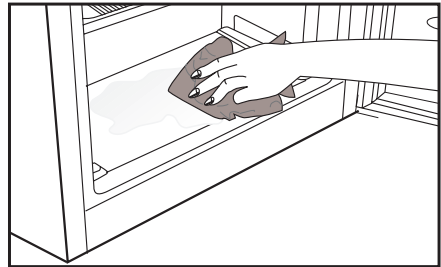
Pakastelokero soveltuu pakastettujen ruokien säilytykseen. Pakkauksen päällysteen säilytys-suositusta tulee aina noudattaa.

Laitteen sulattaminen

Liiallinen jään kertyminen vaikuttaa laitteen pakastuskykyyn.

Siksi laitteen sulatusta suositellaan vähintään kaksi kertaa vuodessa tai aina kun jääkertymää on yli 7 mm.

Sulata laite silloin, kun siinä on vain vähän ruokia tai ei lainkaan.



Ota pakasteruuat esiin. Kääri ne useaan kerrokseen paperia tai huopaan, ja laita ne viileään paikkaan.

Irrota laite verkosta tai sammuta virtakatkaisija, ja aloita sulatusprosessi.

Ota lisävarusteet (kuten hyllyt, laatikot jne.) laitteesta, ja käytä sopivaa astiaa sulatusveden keräämiseen.

Pyysi sulatusvesi tarvittaessa sienellä tai pehmeällä liinalla pakastelokerosta.

 ja pakasteosastosta. 

Jätä ovi auki sulatuksen ajaksi. Aseta laitteeseen lämmintä vettä sisältäviä astioita nopeampaa sulatusta varten.

Älä käytä sähkölaitteita, sulatussuihkeita tai suippokärkisiä tai teräviä esineitä, kuten veitsiä tai haarukoita, jään poistamiseen.

Kun sulatus on suoritettu, puhdista sisäpuoli.

Kytke laite takaisin verkkovirtaan. Aseta pakasteruoka vetolaatikoihin ja työhön laatikot pakastimeen.

Jäähdytys

Ruokien säilytys

Jääkaappi/pakastinaosasto on tarkoitettu tuoreiden ruokien ja juomien lyhytaikaiseen säilytykseen.

Säilytä maitotuotteet niille tarkoitettussa osassa jääkaappi/pakastinaa.

Pullot voidaan säilyttää pullonpidikkeissä tai oven pullohyllyllä.

Raaka liha säilyy parhaiten muovikääreessä aivan jääkaapin alaosassa.

Anna kuumien ruokien ja juomien jäähtyä huonelämpötilassa, ennen kuin laitat ne jääkaappi/pakastinain.

• Huomio

Säilytä alkoholijuomia ainoastaan pystyasennossa ja tiukasti suljettuna.

• Huomio

Älä koskaan säilytä laitteessa tuotteita, jotka sisältävät syttyviä ponnekaasuja (spraypurkit, kermasprayt jne.).

Ne aiheuttavat räjähdysvaaran.

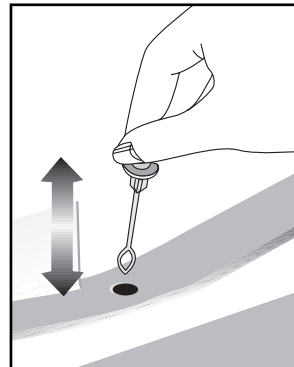
Laitteen sulattaminen

Jääkaappi/pakastinaosasto sulattaa itsensä automaattisesti. Sulatusvesi poistuu poistoputkea pitkin laitteen takana olevaan keräysastiaan.

Haihtumisen vuoksi jääkaapin takaosaan voi kertyä vesipisaroita sulatuksen aikana.

Jos kaikki pisarat ole valuneet alas, ne saattavat jäätyä sulatuksen päätyttyä. Kuivaa ne pehmeällä liinalla joka on kostutettu lämpimällä vedellä. Älä käytä kovia tai teräviä esineitä.

Tarkasta sulatusveden kulku ajoittain. Se saattaa joskus tukkeutua. Puhdista piipunpuhdistimella tai vastaavalla välineellä.



6 Ylläpito ja puhdistus

- ⚠ Älä koskaan käytä puhdistamiseen bensiiniä, bentseeniä tai vastaavia aineita.
- ⚠ Suosittelemme, että irrotat laitteen verkkovirrasta ennen puhdistusta.
- ❗ Älä koskaan käytä puhdistamiseen teräviä, hankaavia välineitä, saippuaa, puhdistusainetta, pesuainetta ja vahaa.
- ❗ Jos tuote ei ole itsesulattavaa mallia, jääkaappiosaston takaseinään saattaa muodostua vesipisaroita ja enintään sormenleveyden paksuinen jääkerros. Älä puhdistata tai koskaan käytä öljyä tai muita samankaltaisia aineita laitteen takaseinän puhdistamiseen.
- ❗ Käytä ainoastaan hieman kosteaa mikrokuituliinaa laitteen ulkopinnan puhdistamiseen. Sienet ja muuntyyppiset puhdistusliinat voivat naarmuttaa laitteen pintaa.
- ❗ Käytä jääkaappi/pakastin sisätilojen puhdistukseen haaleaa vettä ja pyyhi kuivaksi.
- ❗ Käytä sisätilojen puhdistukseen liinaa, joka on kostutettu 1 l ruokasoodaa ja 1/2 litraa vettä sisältävässä liuoksessa ja puristettu kuivaksi, kuivaa lopuksi.
- ⚠ Varmista, ettei vettä pääse lamppukoteloon ja muihin sähkökohteisiin.
- ⚠ Mikäli jääkaappia ei käytetä pitkään aikaan, irrota virtakaapeli pistorasiasta, poista kaikki ruuat, puhdistaa jääkaappi ja jätä ovi raolleen.

- ❗ Tarkista oven eristeet säännöllisesti varmistaaksesi, että ne ovat puhtaita ja vapaita ruuasta.
- ❗ Ovitelineiden irrottamiseksi poista niistä kaikki sisältö ja työnnä sitten ovitelinettä pohjasta ylöspäin.
- ❗ Älä käytä klooria sisältäviä puhdistusaineita tai vettä tuotteen ulkopintojen ja kromattujen osien puhdistamiseen. Kloori syövyttää sellaisia metallipintoja.
- ❗ Älä käytä teräviä tai hankaavia työkaluja tai saippuaa, kodin puhdistusaineita, pesuaineita, bensaa, bentseeniä, vahaa jne. muuten muoviosissa olevat merkinnät lähtevät irti ja osat voivat muuttaa muotoaan. Käytä puhdistamiseen lämmintä vettä sekä pehmeää liinaa ja kuivaa laite sen jälkeen.

Muoviosien suojele

- ❗ Älä laita nestemäistä öljyä tai öljyssä keitettyjä elintarvikkeita jääkaappiin avoimissa astioissa, sillä ne vahingoittavat jääkaappi/pakastin muovipintoja. Jos öljyä vuotaa tai tarttuu muovipinnoille, puhdistaa ja huuhtelee kohta heti lämpimällä vedellä.

7 Suositellut ongelmanratkaisut

Tarkista tämä luettelo, ennen kuin soitat huoltoon. Se voi säästää aikaa ja rahaa. Tämä luettelo sisältää useita valituksia, jotka eivät johdu virheellisestä työstä tai käytetystä materiaalista. Joitain tässä kuvatuista ominaisuuksista ei ehkä ole laitteessasi.

Jääkaappi ei käy

- Onko jääkaapin virtajohto kunnolla kiinni pistorasiassa? Aseta pistoke seinäpistorasiaan.
- Onko jääkaapin pistorasian sulake tai pääsulake palanut? Tarkista sulake.

Kondensaatiota jääkaappiosaston sivuseinässä.

- Hyvin kylmä ympäristö. Oven jatkuva avaaminen ja sulkeminen. Hyvin kostea ympäristö. Nestepitoisten ruokien säilytys avoimessa astiassa. Oven jättäminen raolleen.
- Termostaatin kytkeminen kylmemmälle.
- Oven avoinnaoloajan lyhentäminen tai käyttämällä sitä harvemmin.
- Avoimissa astioissa säilytettyjen ruokien peittäminen sopivalla materiaalilla.
- Pyyhi kondensoitunut vesi kuivalla liinalla ja tarkista tuleeko sitä lisää.

Kompressor ei käy

- Kompressorin lämpövastus työntyy ulos äkillisen virtakatkoksen sattuessa tai kun virta sammuu ja syttyy uudelleen, kun jääkaapin jäähdytysjärjestelmän jäähdytysaineenpaine ei ole vielä tasapainossa. Jääkaappi käynnistyy noin 6 minuutin kuluttua. Soita huoltoon, jos jääkaappi ei käynnisty tässä ajassa.
- Jääkaapin sulatusjakso on käynnissä. Tämä on normaalia täysautomaattisesti itsesulattavassa jääkaapissa. Sulatuskierto tapahtuu tietyn väliajoin.
- Jääkaappia ei ole kytketty pistorasiaan. Varmista, että pistoke on asetettu tiukasti seinäpistorasiaan.
- Onko lämpötila-asetukset tehty oikein?
- Sähkökatkos. Soita sähköntoimittajalle.

Jääkaappi käy alituisen tai pitkän ajan.

- Uusi jääkaappisi voi olla leveämpi kuin edellinen. Tämä on aivan normaalia. Suuret jääkaapit käyvät kauemmin.
- Huonelämpötila voi olla liian korkea. Tämä on aivan normaalia.
- Jääkaappi on voitu kytkeä päälle äskettäin tai siihen on säilötty äskettäin ruokaa. Jääkaapin jäähtyminen oikeaan lämpötilaan voi kestää muutamia tunteja kauemmin.
- Suuri määrä ruokaa on voitu säilöä jääkaappiin äskettäin. Lämmin ruoka aiheuttaa jääkaapin käymisen pitempään, kunnes se saavuttaa turvallisen säilytyslämpötilan.
- Ovet on voitu avata äskettäin tai jätetty raolleen pitkäksi aikaa. Jääkaappiin päässyt lämmin ilma aiheuttaa jääkaapin käymisen pitemmän aikaa. Avaa ovia harvemmin.
- Pakastin- tai jääkaappiosaston ovi on voitu jättää raolleen. Tarkista onko ovet suljettu tiukasti.

Jääkaappi käy alituisen tai pitkän ajan.

- Jääkaappi on säädetty hyvin alhaiselle lämpötilalle. Säädä jääkaapin lämpötila lämpimämmäksi ja odota, kunnes haluttu lämpötila on saavutettu.
- Jääkaapin tai pakastimen oven tiiviste voi olla likainen, kulunut, rikkoutunut tai huonosti paikallaan. Puhdista tai vaihda tiiviste. Vahingoittunut, rikkoutunut tiiviste aiheuttaa jääkaapin käymisen pitempiä aikoja nykyisen lämpötilan ylläpitämiseksi.
- Pakastimen lämpötila on hyvin alhainen, kun jääkaapin lämpötila on sopiva.
- Pakastin on säädetty hyvin alhaiselle lämpötilalle. Säädä pakastimen lämpötila lämpimämmäksi ja tarkista.

Jääkaapin lämpötila on hyvin alhainen, kun pakastimen lämpötila on sopiva.

- Jääkaappi on säädetty hyvin alhaiselle lämpötilalle. Säädä jääkaapin lämpötila lämpimämmäksi ja tarkista.

Jääkaappiosaston vetolaatikoissa säilytetty ruoka jäätyy.

- Jääkaappi on säädetty hyvin alhaiselle lämpötilalle. Säädä jääkaapin lämpötila lämpimämmäksi ja tarkista.

Jääkaapin tai pakastimen lämpötila on hyvin korkea.

- Jääkaappi on säädetty hyvin korkealle lämpötilalle. Jääkaapin säädöt vaikuttavat pakastimen lämpötilaan. Muuta jääkaapin tai pakastimen lämpötilaa, kunnes jääkaappi tai pakastin saavuttaa riittävän tason.
- Ovet on voitu avata äskettäin tai jätetty raolleen pitkäksi aikaa. Lämmintä ilmaa tunkeutuu jääkaappiin tai pakastimeen, kun ovet avataan. Avaa ovia harvemmin.
- Ovi on voitu jättää raolleen. Sulje ovi kokonaan.
- Suuri määrä ruokaa on voitu säilöä jääkaappiin äskettäin. Odota, kunnes jääkaappi tai pakastin saavuttaa halutun lämpötilan.
- Jääkaapin virtajohto on voitu liittää pistorasiaan äskettäin. Jääkaapin jäähtyminen kokonaan kestää kauemmin sen koon vuoksi.

Käyntiääni voimistuu, kun jääkaappi käy.

- Jääkaapin käyttötieto saattaa muuttua ympäristön lämpötilan muutosten mukaan.
- Se on normaalia eikä ole vika.

Tärinä tai käyntiääni.

- Lattia ei ole tasainen tai se on heikko. Jääkaappi huojuu, kun sitä siirretään hitaasti. Varmista, että lattia on tasainen, luja, ja että se kestää jääkaapin painon.
- Melu saattaa johtua jääkaapin laitetuista kohteista. Tällaiset kohteet tulisi poistaa jääkaapin yläosasta.

Esiintyy nesteen vuotamisen tai suihkuamisen kaltaisia ääniä.

- Neste- ja kaasuvuotoja ilmenee jääkaapin käyttöperiaatteiden mukaisesti. Se on normaalia eikä ole vika.

Kuuluu tuulen huminan kaltaista ääntä

- Ilma-aktivaattoreita (tuulettimia) käytetään jääkaapin jäähdyttämiseen tehokkaasti. Se on normaalia eikä ole vika.
- Jääkaapissa oleva vesi/kondensaatio/jää.

Kondensaatio jääkaapin sisäseinissä.

- Kuuma ja kostea sää lisää jäätymistä ja kondensaatiota. Se on normaalia eikä ole vika.
- Ovet ovat raollaan. Varmista, että ovet on suljettu kokonaan.
- Ovia on voitu avata jatkuvasti tai ne on voitu jättää auki pitkäksi aikaa. Avaa ovea harvemmin.
- Jääkaapin ulkopinnoilla oleva vesi/kondensaatio/jää.

Kosteutta esiintyy jääkaapin ulkopinnoilla tai ovien välissä.

- Sää voi olla kostea. Tämä on aivan normaalia kostealla säällä. Kun kosteutta on vähemmän, kondensaatio häviää.

Paha haju jääkaapin sisällä.

- Jääkaapin sisäpuoli on puhdistettava. Puhdista jääkaapin sisäpuoli sienellä, lämpimällä vedellä tai hiilihapollisella vedellä.
- Jotkut astiat tai pakkausmateriaalit voivat olla hajun aiheuttajia. Käytä erilaista säilytysastiaa tai erimerkkistä pakkausmateriaalia.

Ovi/ovet eivät mene kiinni.

- Elintarvikepakkaukset voivat estää oven sulkeutumisen. Poista pakkaukset, jotka ovat oven esteenä.
- Jääkaappi ei todennäköisesti ole aivan pystysuorassa lattialla ja se voi keinua hieman siirrettynä. Säädä nostoruuveja.
- Lattia ei ole tasainen tai kestävä. Varmista, että lattia on tasainen, ja että se kestäää jääkaapin painon.

Lokerot ovat juuttuneet.

- Elintarvikkeita voi olla kosketuksissa lokeron kattoon.
- Järjestä ruuat uudelleen vetolaatikossa.

Jos Tuotteen Pinta On Kuuma.

- Korkeat lämpötilat voidaan havaita kahden oven välillä, sivupaneeleissa ja takaritilässä laitteen ollessa käytössä. Tämä on normaalia eikä vaadi huoltotoimenpiteitä! Ole varovainen joutuessasi kosketuksiin näiden alueiden kanssa.

Leggere innanzitutto il manuale di istruzioni.

Gentile Cliente,

ci auguriamo che l'articolo da Lei scelto, prodotto in moderni stabilimenti e sottoposto ai più severi controlli di qualità, risponda interamente alle Sue esigenze.




A tal fine, La invitiamo a leggere attentamente il manuale di istruzioni del prodotto prima di procedere al suo utilizzo e di conservarlo per eventuali consultazioni future.

Il presente manuale

- Aiuterà l'utente ad utilizzare l'apparecchio in modo rapido e sicuro.
- Leggere le istruzioni per l'uso prima di installare e utilizzare il prodotto.
- Seguire attentamente le istruzioni, in particolare quelle inerenti alla sicurezza.
- Conservare il presente manuale in un luogo facilmente accessibile per eventuali future consultazioni.
- Leggere inoltre gli altri documenti forniti assieme al prodotto.
- Il presente manuale può essere valido anche per altri modelli.

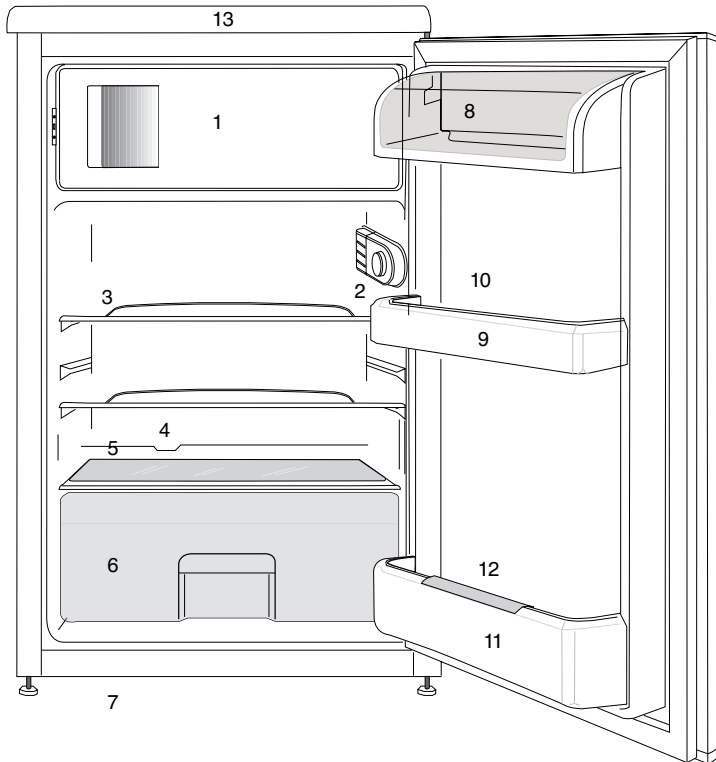
Simboli e loro descrizione

Il manuale di istruzioni contiene i seguenti simboli:

-  Informazioni importanti o consigli utili di utilizzo.
-  Segnale di avvertimento in caso di situazioni pericolose per la persona o i beni.
-  Segnale di avvertimento in caso di problemi con il voltaggio.

1 Il frigorifero	4	4 Preparazione	16
2 Importanti avvertenze per la sicurezza	5	Inversione degli sportelli.....	18
Uso previsto.....	5	5 Utilizzo del frigorifero	20
Sicurezza generale	5	Congelamento	20
Sicurezza bambini	10	Congelamento alimenti.....	20
Conformità alla direttiva WEEE e allo smaltimento dei rifiuti:	11	Preparazione dei cubetti di ghiaccio	21
Conformità alla Direttiva RoHS:	11	Conservazione di cibo congelato	21
Informazioni sulla confezione	11	Sbrinamento dell'elettrodomestico	21
Avvertenza HC.....	11	Raffreddamento	22
Cose da fare per risparmiare energia	12	Conservazione alimenti	22
3 Installazione	13	Sbrinamento dell'elettrodomestico	23
Punti a cui prestare attenzione quando si sposta il frigorifero	13	6 Manutenzione e pulizia	24
Prima di avviare il frigorifero,.....	13	Protezione delle superfici di plastica	24
Collegamenti elettrici	13	7 Ricerca e risoluzione dei problemi	25
Smaltimento del materiale di imballaggio.....	14		
Smaltimento del vecchio frigorifero	14		
Posizionamento e installazione	14		
Regolazione dei piedini.....	15		
Cambiare la lampadina di illuminazione	15		
Installazione (Sotto il bancone).....	15		

1 Il frigorifero



1. a.) Compartimento freezer e vaschetta del ghiaccio (per modelli **✱✱✱**) b.) Compartimento cibo congelato e vaschetta del ghiaccio (per modelli **✱✱**)

2. Luce interna e manopola del termostato

3. Mensole amovibili

4. Canale di raccolta dell'acqua di sbrinamento - tubo di drenaggio

5. Coperchio scomparto frutta e verdura

6. Scomparto frutta e verdura

7. Piedi anteriori regolabili

8. Scomparto latticini

9. Scomparti della controporta

10. Scomparto per le uova

11. Mensola bottiglie

12. Pinza per bottiglie

13. Guarnizione superiore

i Le illustrazioni contenute in

questa guida sono schematiche e potrebbero non corrispondere esattamente al prodotto in uso. Se le parti in oggetto non sono incluse nel prodotto acquistato, significa che sono da intendersi per altri modelli.

2 **Importanti avvertenze per la sicurezza**

Prendere in esame le seguenti informazioni. La mancata osservanza di queste informazioni può provocare lesioni o danni materiali. Quindi tutte le garanzie e gli impegni sull'affidabilità diventerebbero privi di validità.

La vita di servizio dell'apparecchio è 10 anni. In questo periodo, le parti di ricambio originali saranno disponibili per utilizzare l'apparecchio nel modo corretto.

Uso previsto

Questo apparecchio è destinato ad essere usato

- all'interno e in aree chiuse, ad esempio in casa;
- in ambienti di lavoro chiusi, come negozi e uffici;
- in strutture chiuse di soggiorno, come agriturismi, alberghi, pensioni.

- Non deve essere usato all'esterno.

Sicurezza generale

- Quando si vuole smaltire/eliminare l'apparecchio, è consigliabile consultare il servizio autorizzato per apprendere le informazioni necessarie e conoscere gli enti autorizzati.
- Consultare il servizio di manutenzione autorizzato per tutti i problemi relativi al frigorifero. Non intervenire o far intervenire sul frigorifero senza informare il servizio manutenzione autorizzato.
- Per apparecchi dotati di scomparto freezer; non mangiare con gelato o cubetti di ghiaccio o gelati appena estratti dal freezer! (Ciò potrebbe causare sintomi di congelamento in bocca).

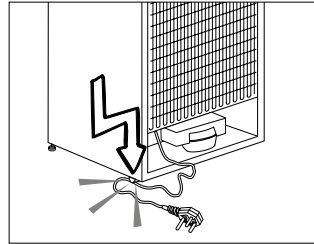
- Per apparecchi dotati di scomparto freezer; non mettere bottiglie e lattine di bibite liquide nello scomparto del freezer altrimenti potrebbero esplodere.
- Non toccare con le mani gli alimenti gelati; possono incollarsi ad esse.
- Scollegare il frigorifero prima della pulizia o dello sbrinamento.
- Il vapore e i materiali per la pulizia vaporizzati non devono mai essere usati per pulire e scongelare il frigorifero. In queste situazioni, il vapore può entrare in contatto con le parti elettriche e provocare corto circuito o scossa elettrica.
- Non usare mai parti del frigorifero come lo sportello come mezzo di supporto o movimento.
- Non utilizzare dispositivi elettrici all'interno del frigorifero.
- Non danneggiare le parti, in cui circola il refrigerante, con utensili perforanti o taglienti. Il refrigerante può scoppiare quando i canali del gas dell'evaporatore, le estensioni dei tubi o le pellicole superficiali vengono punti e provocano irritazioni alla pelle e lesioni agli occhi.
- Non bloccare o coprire la ventilazione dell'elettrodomestico.
- I dispositivi elettrici devono essere riparati solo da persone autorizzate. Le riparazioni eseguite da personale non competente provocano danni all'utilizzatore.
- In caso di guasto o durante lavori di riparazione e manutenzione, scollegare la fornitura d'energia principale spegnendo il fusibile principale o scollegando la presa dell'apparecchio.

- Non tirare dal cavo quando si estrae la spina.
- Assicurarsi che le bevande alcoliche siano conservate in modo sicuro con il coperchio chiuso e posizionate in verticale.
- Non conservare mai nel frigorifero contenitori spray che contengano sostanze infiammabili ed esplosive.
- Non utilizzare apparecchiature meccaniche o altri mezzi diversi da quelli consigliati dal produttore per accelerare il processo di sbrinamento.
- Questo apparecchio non deve essere usato da persone con disturbi fisici, sensoriali o mentali o persone non preparate o senza esperienza (compresi bambini) a meno che non ricevano la supervisione da parte di una persona responsabile della loro sicurezza che li istruirà sull'uso corretto dell'apparecchio.
- Non utilizzare frigoriferi danneggiati. Consultare l'agente per l'assistenza in caso di dubbi.
- La sicurezza elettrica del frigorifero è garantita unicamente se il sistema di messa a terra dell'apparecchiatura è conforme agli standard.
- L'esposizione dell'apparecchio a pioggia, neve, sole e vento è pericolosa per la sicurezza elettrica.
- Contattare l'assistenza autorizzata quando ci sono danni ai cavi in modo da evitare pericoli.
- Non collegare mai il frigorifero alla presa a muro durante l'installazione, per evitare il rischio di morte o lesioni gravi.
- Questo frigorifero è destinato solo alla conservazione di alimenti. Non deve essere usato per altri scopi.

- L'etichetta con le specifiche tecniche si trova sulla parete sinistra nella parte interna del frigorifero.
- Non collegare mai il frigorifero a sistemi di risparmio energetico; potrebbero danneggiare il frigorifero.
- Se c'è una luce blu sul frigorifero, non guardarla a lungo a occhio nudo o con strumenti ottici.
- Per i frigoriferi con controllo manuale, attendere almeno 5 minuti per avviare il frigorifero dopo un'assenza di elettricità.
- Questo manuale operativo deve essere dato al nuovo proprietario dell'apparecchio quando il prodotto stesso viene dato ad altri.
- Evitare di provocare danni al cavo di alimentazione quando si trasporta il frigorifero. Piegare il cavo può provocare un incendio.

Non mettere mai oggetti pesanti sul cavo di alimentazione.

- Non toccare la spina con le mani bagnate quando si collega l'apparecchio alla rete elettrica.



- Non collegare il frigorifero alla rete se la presa elettrica è allentata.
- Non deve essere spruzzata acqua sulle parti interne o esterne dell'apparecchio per motivi di sicurezza.
- Non spruzzare sostanze contenenti gas infiammabili come gas propano vicino al frigorifero per evitare rischio di incendio ed esplosione.
- Non mettere mai contenitori pieni di acqua sopra al

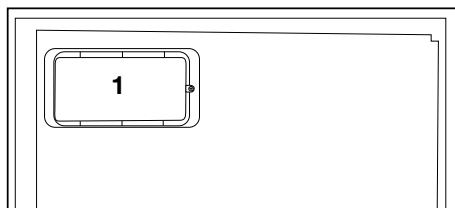
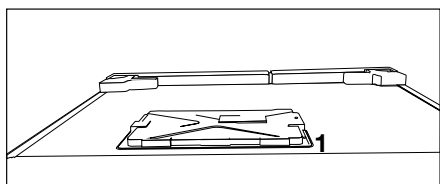
frigorifero; in caso di schizzi, questo potrebbe provocare shock elettrico o incendio.

- Non sovraccaricare il frigorifero di alimenti. In caso di sovraccarico, gli alimenti potrebbero cadere provocando lesioni alla persona e danni al frigorifero quando si apre lo sportello.
- Non mettere mai oggetti sopra al frigorifero; altrimenti questi oggetti potrebbero cadere quando si apre o si chiude lo sportello del frigorifero.
- Poiché necessitano di un controllo preciso della temperatura, vaccini, medicine sensibili al calore e materiali scientifici non devono essere conservati nel frigorifero.
- Se non sarà usato per un lungo periodo, il frigorifero deve essere scollegato. Un problema

possibile nel cavo di alimentazione può provocare un incendio.

- La punta della spina deve essere pulita regolarmente con un panno asciutto; altrimenti può provocare un incendio.
- Il frigorifero potrebbe spostarsi se i piedini regolabili non sono assicurati correttamente al pavimento. Assicurare correttamente i piedini al pavimento può evitare che il frigorifero si sposti.
- Quando si trasporta il frigorifero, non tenerlo dalla maniglia dello sportello. Altrimenti si stacca.
- Quando è necessari posizionare l'apparecchio vicino ad un altro frigorifero o freezer, la distanza tra i dispositivi deve essere di almeno 8 cm. Altrimenti le pareti laterali vicine potrebbero produrre condensa.

- Non usare mai il prodotto se la sezione che si trova sulla parte superiore o posteriore del prodotto, con le schede dei circuiti elettronici stampati all'interno, è aperta (copri schede dei circuiti elettronici stampati) (1).

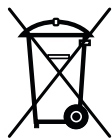


Sicurezza bambini

- La pressione per l'ingresso dell'acqua fredda dovrebbe essere al massimo 90 psi (6.2 bar). Qualora la pressione dell'acqua superi il valore 80 psi (5.5 bar), usare una valvola di limitazione della pressione nel sistema principale.
- Qualora non si sappia come verificare la pressione dell'acqua, chiedere aiuto a un idraulico professionista.
- In caso di rischio dell'effetto "martello acqua" nel proprio impianto, usare sempre una strumentazione per evitare l'effetto "martello d'acqua" nel proprio impianto. Rivolgersi a idraulici professionisti in caso di dubbio relativamente alla presenza o meno dell'effetto "martello d'acqua" nel proprio impianto.
 - Non installare l'ingresso dell'acqua calda. Prendere precauzioni contro il rischio di congelamento dei tubi. La gamma di funzionamento della temperatura dell'acqua dovrebbe essere 33°F (0.6°C) come minimo e 100°F (38°C) al massimo.

- I bambini devono ricevere supervisione per evitare che interferiscano con l'apparecchio.

Conformità alla direttiva WEEE e allo smaltimento dei rifiuti:



Questo apparecchio è conforme alla Direttiva UE WEEE (2012/19/EU). Questo apparecchio riporta il simbolo di classificazione per i rifiuti delle apparecchiature elettriche ed elettroniche (WEEE).

Questo apparecchio è stato realizzato con parti e materiali di alta qualità che possono essere riutilizzati e sono adatti ad essere riciclati. Non smaltire i rifiuti dell'apparecchio con i normali rifiuti domestici e gli altri rifiuti alla fine della vita di servizio. Portarlo al centro di raccolta per il riciclaggio di apparecchiature elettriche ed elettroniche. Consultare le autorità locali per conoscere la collocazione di questi centri di raccolta.

Conformità alla Direttiva RoHS:

L'apparecchio acquistato è conforme alla Direttiva UE RoHS (2011/65/EU). Non contiene materiali pericolosi o proibiti specificati nella Direttiva.

Informazioni sulla confezione

I materiali di imballaggio del prodotto sono realizzati con materiali riciclabili secondo i nostri regolamenti nazionali sull'ambiente. Non smaltire i materiali di imballaggio con i rifiuti domestici o altri rifiuti. Portarli ai punti di raccolta dedicati ai materiali di imballaggio, previsti dalle autorità locali.

Cose da non dimenticare...

Tutte le sostanze riciclate sono elementi indispensabili per la natura e la nostra ricchezza nazionale.

Se si desidera contribuire alla rivalutazione dei materiali di imballaggio, è possibile consultare le organizzazioni ambientaliste o le autorità del comune in cui si vive.

Avvertenza HC

Se il sistema di raffreddamento dell'apparecchio contiene R600a:

Questo gas è infiammabile. Pertanto, fare attenzione a non danneggiare il sistema di raffreddamento e le tubazioni durante l'uso e il trasporto. In caso di danni, tenere l'apparecchio lontano da potenziali fonti di incendio che possono provocarne l'incendio e ventilare la stanza in cui si trova l'unità.

Ignorare questa avvertenza se il sistema di raffreddamento dell'apparecchio contiene R134a.

Il tipo di gas usato nell'apparecchio è descritto nell'etichetta con il tipo sulla parete sinistra nella parte interna del frigorifero.

Non gettare mai l'apparecchio nel fuoco per lo smaltimento.

Cose da fare per risparmiare energia

- Non lasciare lo sportello del frigorifero aperto per lungo tempo.
- Non inserire alimenti caldi o bevande calde nell'elettrodomestico.
- Non sovraccaricare il frigorifero impedendo la circolazione dell'aria al suo interno.
- Non installare il frigorifero sotto la luce diretta del sole o nelle vicinanze di forni, lavastoviglie o radiatori. Tenere il frigorifero ad almeno 30 cm dalle fonti che emettono calore e ad almeno 5 cm dai forni elettrici.
- Porre attenzione nel conservare gli alimenti in contenitori chiusi.
- Per apparecchi dotati di scomparto freezer; è possibile conservare la quantità massima di alimenti nel freezer quando si rimuove il ripiano o il cassetto del freezer. Il valore di consumo energetico dichiarato per il frigorifero è stato determinato rimuovendo il ripiano del freezer o il cassetto e in condizione di carico massimo. Non c'è pericolo nell'usare un ripiano o un cassetto secondo le forme e le dimensioni degli alimenti da congelare.
- Scongelare alimenti congelati nello scomparto frigo garantisce risparmio energetico e conserva la qualità degli alimenti.

3 Installazione

⚠ Se le informazioni date in questo manuale utente non sono prese in considerazione, il produttore non accetta alcuna responsabilità per questo.

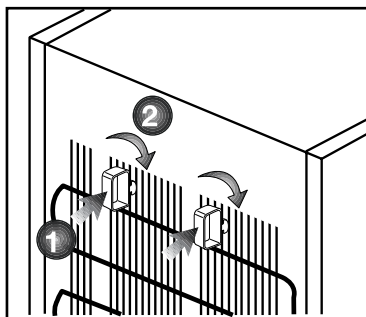
Punti a cui prestare attenzione quando si sposta il frigorifero

1. Il frigorifero deve essere scollegato. Prima del trasporto, il frigorifero deve essere svuotato e pulito.
2. Prima di imballarlo di nuovo, ripiani, accessori, scomparto frutta e verdura, ecc. all'interno del frigorifero devono essere fissati con nastro adesivo e assicurati contro i colpi. L'imballaggio deve essere eseguito con un nastro doppio o cavi sicuri e bisogna osservare rigorosamente le norme per il trasporto presenti sulla confezione.
3. Conservare i materiali originali di imballaggio per futuri trasporti o spostamenti.

Prima di avviare il frigorifero,

Controllare quanto segue prima di utilizzare il frigorifero:

1. Montare i 2 cunei in plastica come illustrato sotto. I cunei in plastica servono a mantenere la distanza che assicura la circolazione dell'aria tra frigorifero e parete. (L'immagine è creata per illustrare e non è identica all'apparecchio).
2. Pulire la parte interna del frigorifero come consigliato nella sezione "Manutenzione e pulizia".



3. Collegare la spina del frigorifero alla presa elettrica. Quando lo sportello del frigorifero è aperto, la lampadina interna si accende.
4. Quando il compressore comincia a funzionare, si sente un rumore. I liquidi e i gas sigillati nel sistema refrigerante possono produrre dei rumori, anche se il compressore non è in funzione; questo è abbastanza normale.
5. I bordi anteriori del frigorifero possono essere tiepidi. Questo è normale. Queste zone sono progettate per essere tiepide per evitare la condensazione.

Collegamenti elettrici

Collegare il frigorifero ad una presa di messa a terra protetta da un fusibile della capacità appropriata.

Importante:

- Il collegamento deve essere conforme ai regolamenti nazionali.
- La spina elettrica deve essere facilmente accessibile dopo l'installazione.

- La sicurezza elettrica del frigorifero è garantita unicamente se il sistema di messa a terra dell'apparecchiatura è conforme agli standard.
- La tensione dichiarata sull'etichetta che si trova nel lato interno a sinistra dell'apparecchio deve essere pari alla tensione di rete.
- Le prolunghe e le prese multiple non devono essere usate per il collegamento.

⚠ Un cavo di alimentazione danneggiato deve essere sostituito da un elettricista qualificato.

⚠ L'apparecchio non deve essere usato finché non viene riparato! C'è rischio di shock elettrico!

Smaltimento del materiale di imballaggio

I materiali di imballaggio potrebbero essere dannosi per i bambini. Tenere i materiali di imballaggio fuori dalla portata dei bambini o smaltirli classificandoli secondo le istruzioni sui rifiuti comunicate dalle autorità locali. Non smaltire assieme ai normali rifiuti domestici, smaltire nei punti di raccolta appositi indicati dalle autorità locali.

L'imballaggio del frigorifero è prodotto con materiali riciclabili.

Smaltimento del vecchio frigorifero

Smaltire il vecchio frigorifero senza danni per l'ambiente.

- Bisogna consultare il rivenditore autorizzato o il centro di raccolta rifiuti della propria città per quanto riguarda lo smaltimento del frigorifero.

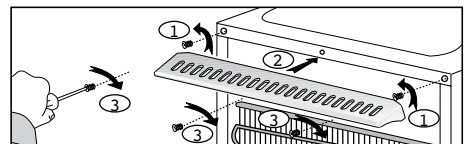
Prima di smaltire il frigorifero, tagliare la spina elettrica e, se ci sono blocchi allo sportello, renderli inutilizzabili per proteggere i bambini da eventuali pericoli.

Posizionamento e installazione

⚠ Nel caso in cui la porta di ingresso della stanza in cui il frigorifero deve essere posizionato non è abbastanza grande per il passaggio del frigorifero, chiamare il servizio autorizzato per rimuovere le porte del frigorifero e per farlo passare attraverso la porta.

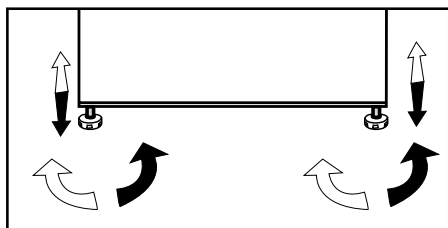
1. Installare il frigorifero in un luogo che ne permetta il facile utilizzo.
2. Tenere il frigorifero lontano da fonti di calore, luoghi umidi e luce diretta del sole.
3. Intorno al frigorifero deve esserci ventilazione appropriata per poter avere operatività efficiente. Se il frigorifero deve essere posizionato in un recesso della parete, è necessario porlo ad almeno 5 cm di distanza dal soffitto e a 5 cm dalla parete. Non posizionare l'apparecchio su materiali come tappetini o tappeti.
4. Posizionare l'elettrodomestico solo su superfici uniformi e piane per evitare dondoli.

Se l'elettrodomestico è dotato di una griglia per l'aria, vedere per l'installazione della stessa.



Regolazione dei piedini

Se il frigorifero non è in equilibrio: è possibile bilanciare il frigorifero ruotando i piedini anteriori come illustrato in figura. L'angolo in cui i piedini sono più bassi quando girati in direzione della freccia nera e rialzati quando girati in direzione opposta. Un aiuto per sollevare leggermente il frigorifero faciliterà tale processo.



Cambiare la lampadina di illuminazione

Per cambiare lampadina/LED utilizzati per illuminare il frigorifero, rivolgersi al Servizio Assistenza Autorizzato.

La lampada (le lampade) usata (usate) nell'apparecchiatura non è (sono) adatta (adatte) per l'illuminazione domestica. L'obiettivo previsto per questa lampada è quello di assistere l'utente in fase di posizionamento degli alimenti all'interno del frigorifero / congelatore in modo sicuro e comodo.

Le lampadine utilizzate in questo apparecchio devono sopportare condizioni fisiche estreme come temperature inferiori a -20 °C.

Installazione (Sotto il bancone)

- L'altezza interna del bancone deve essere di 820 mm.(!) Non posizionare fornelli o altre fonti di calore sul bancone in cui è installato l'elettrodomestico.
- La presa di alimentazione a muro deve essere vicino al lato sinistro o destro dell'elettrodomestico.
- Rimuovere il coperchio superiore dell'elettrodomestico. Vi sono 4 viti (due sul retro e due sotto il bordo anteriore) da rimuovere.

Figura 1

- Tagliare la parte mostrata nell'illustrazione, quindi rimuoverla aiutandosi con le pinze.
- Collocare l'elettrodomestico sotto il bancone e regolare i piedini anteriori finché la parte superiore non tocca il bancone.

Per utilizzare il prodotto sotto il bancone, la distanza tra il muro e il riferimento indicato nella plastica di collegamento superiore deve essere di almeno 595 mm.

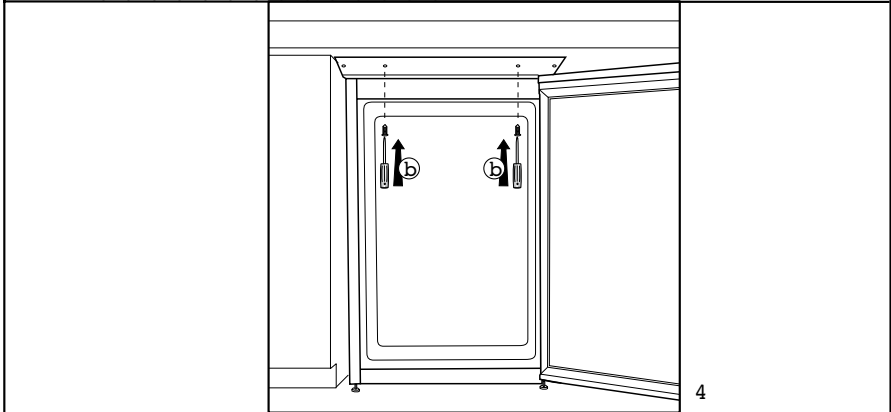
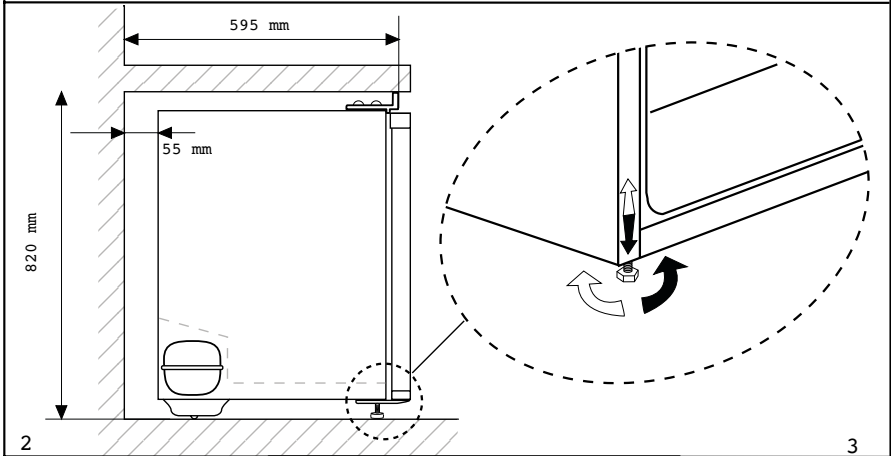
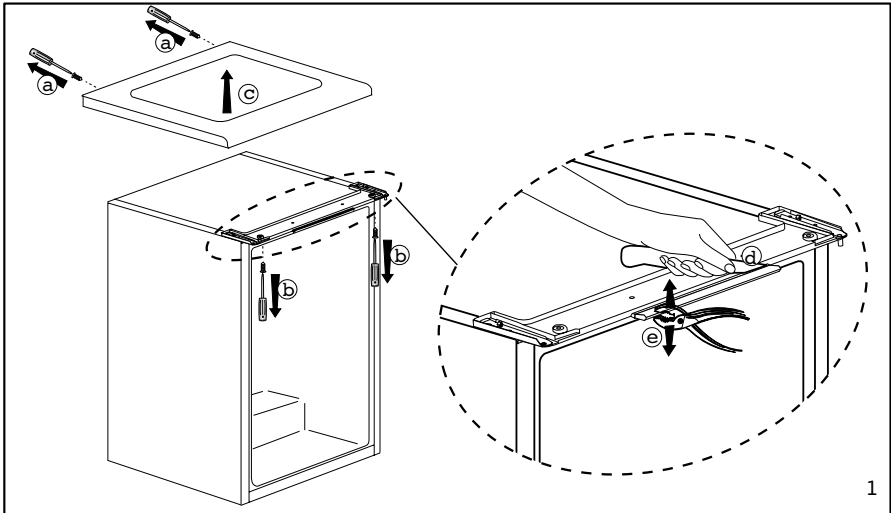
Fig. 2-3

- issare l'elettrodomestico sotto il bancone utilizzando 2 delle viti tolte dal coperchio superiore (Il materiale del bancone deve essere in plastica o in legno!);

Figura 4

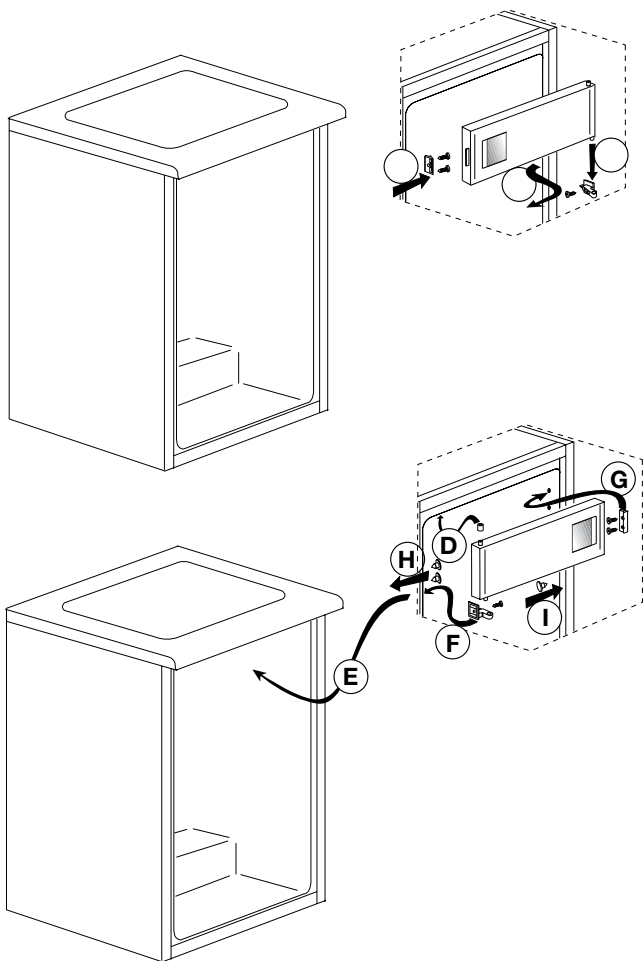
4 Preparazione

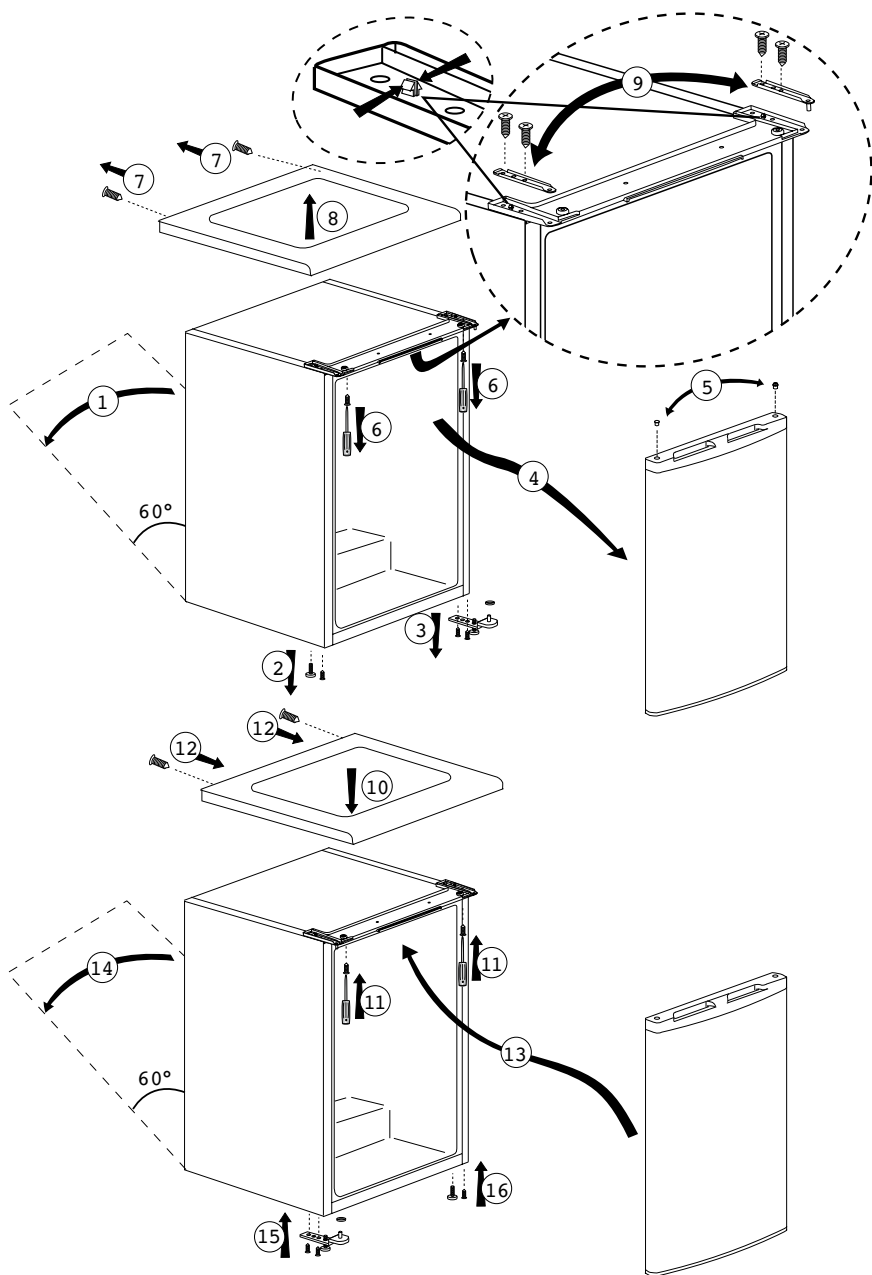
- Il frigorifero dovrà essere installato ad almeno 30 cm lontano da fonti di calore, come forni, riscaldamento centrale e stufe e ad almeno 5 cm da forni elettrici e non deve essere esposto alla luce diretta del sole.
- La temperatura ambiente della stanza in cui viene installato il frigorifero deve essere almeno 10°C. Usare il frigorifero in ambienti con temperatura inferiore non è consigliabile per motivi di efficienza.
- Assicurarci che l'interno del frigorifero sia ben pulito.
- In caso di installazione di due frigoriferi l'uno accanto all'altro, devono esservi almeno 2 cm di distanza tra di loro.
- Quando il frigorifero viene messo in funzione per la prima volta, osservare le seguenti istruzioni per le prime sei ore.
- La porta non si deve aprire frequentemente.
- Deve funzionare vuoto senza alimenti all'interno.
- Non staccare il frigo dalla presa di corrente. Se si verifica un calo di potenza al di là del controllo dell'utente, vedere le avvertenze nella sezione "Soluzioni consigliate per i problemi".
- Conservare i materiali originali di imballaggio per futuri trasporti o spostamenti.
- In alcuni modelli, il pannello si spegne automaticamente 5 minuti dopo che la porta è stata chiusa. si riattiva automaticamente quando la porta viene aperta o premendo qualsiasi pulsante.
- A causa del cambiamento di temperatura dovuto all'apertura/ alla chiusura dello sportello dell'apparecchio durante il funzionamento, la formazione di condensa su sportello/ripiani e sui contenitori di vetro è normale.



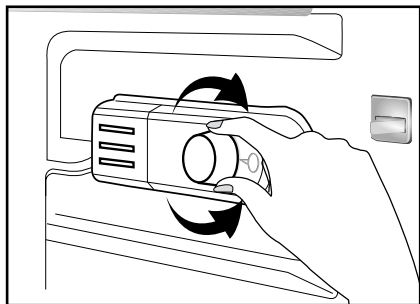
Inversione degli sportelli

Procedere in ordine numerico.

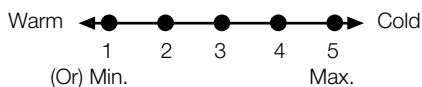




5 Utilizzo del frigorifero



La temperatura di funzionamento è regolata con il comando temperatura.



1 = impostazione raffreddamento minimo (Impostazione più calda)

5 = impostazione raffreddamento massimo (Impostazione più fredda)

(Oppure)

Min. = impostazione raffreddamento minimo (Impostazione più calda)

Max. = impostazione raffreddamento massimo (Impostazione più fredda)

La temperatura media all'interno del frigo dovrebbe essere intorno a +5°C.

Scegliere l'impostazione secondo la temperatura desiderata.

È possibile interrompere il funzionamento dell'elettrodomestico regolando la manopola del termostato sulla posizione "0".

Si noti che ci saranno temperature

diverse nell'area di raffreddamento.

La sezione più fredda è quella immediatamente sopra lo scomparto per le verdure.

La temperatura interna dipende anche dalla temperatura ambiente, dalla frequenza con cui lo sportello viene aperto e dalla quantità di cibo contenuto all'interno.

L'apertura frequente dello sportello provoca un aumento della temperatura interna.

Per questo motivo si consiglia di chiudere lo sportello subito dopo l'uso, il più velocemente possibile.

Congelamento

Congelamento alimenti

Il comparto freezer è segnalato da questo simbolo

È possibile usare l'elettrodomestico per congelare cibi freschi ma anche per conservare cibi pre-congelati.

Vedere i consigli presenti sulle confezioni degli alimenti.

• **Attenzione**

Non congelare bibite gassate, poiché la bottiglia potrebbe esplodere quando il liquido al suo interno si congela.

Fare attenzione ai prodotti congelati, ad esempio cubetti di ghiaccio colorati.

Non superare la capacità di congelamento dell'elettrodomestico in

24 ore. Vedere l'etichetta informativa.

Per conservare la qualità degli alimenti, il congelamento deve avvenire quanto più rapidamente possibile.

In questo modo, non verrà superata la capacità di congelamento e la temperatura all'interno del freezer non aumenterà.

• **Attenzione**

Mantenere il cibo già surgelato separato dal cibo appena messo.

Quando si surgela cibo caldo, il compressore di raffreddamento lavorerà finché il cibo non è perfettamente congelato. Ciò può temporaneamente causare un raffreddamento eccessivo dello scomparto di refrigerazione.

Se lo sportello del freezer si apre con difficoltà dopo averlo appena chiuso, non c'è da preoccuparsi. Ciò è dovuto alla differenza di pressione che si livellerà e consentirà allo sportello di essere aperto normalmente dopo pochi minuti.

Si sentirà un rumore a vuoto subito dopo aver chiuso lo sportello. Ciò è abbastanza normale.

Preparazione dei cubetti di ghiaccio

Riempire la vaschetta per cubetti di ghiaccio per 3/4 con acqua e metterla nel freezer.

Quando l'acqua si è trasformata in ghiaccio, è possibile estrarre i cubetti.

Non usare mai oggetti taglienti come coltelli o forchette per rimuovere i cubetti. Pericolo di lesioni!

Lasciare che i cubetti si sciolgano leggermente o mettere la parte inferiore della vaschetta in acqua calda per poco tempo.

Conservazione di cibo congelato

Il comparto del cibo congelato è segnalato da questo simbolo (❄ ❄).

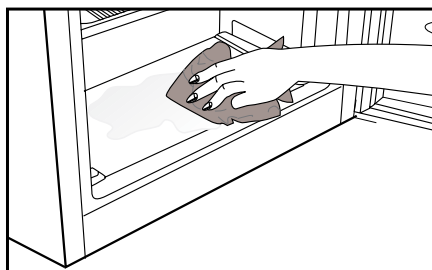
Il comparto del cibo congelato è adatto alla conservazione del cibo precongelato. È necessario osservare sempre i consigli per la conservazione riportati sulla confezione dei cibi.

Sbrinamento dell'elettrodomestico

Una eccessiva formazione di ghiaccio influenza la prestazione di congelamento dell'elettrodomestico.

Si consiglia pertanto di sbrinare l'elettrodomestico almeno due volte all'anno o ogniqualvolta le formazioni di ghiaccio superano i 7 mm.

Sbrinare l'elettrodomestico quando c'è poco cibo o non ce n'è affatto.




Estrarre gli alimenti surgelati. Avvolgere gli alimenti surgelati in vari strati di carta o in una coperta e tenerli in un posto freddo.

Scollegare l'elettrodomestico o spegnere l'interruttore per avviare il processo di sbrinamento.

Estrarre gli accessori (come ripiani, cassetti, ecc.) dall'elettrodomestico e usare un contenitore adatto per raccogliere l'acqua di sbrinamento.

Usare una spugna o un panno morbido per rimuovere l'acqua di sbrinamento nel comparto freezer, se necessario.

 e comparto cibi congelati

Tenere lo sportello aperto durante lo sbrinamento.

Per uno sbrinamento più veloce, mettere dei contenitori con acqua calda nell'elettrodomestico.

Non usare mai apparecchi elettrici, spray per lo sbrinamento o oggetti appuntiti o taglienti come coltelli o forchette per rimuovere il ghiaccio.

Dopo il completamento dello sbrinamento, pulire l'interno.

Ricollegare l'elettrodomestico alla rete. Mettere gli alimenti congelati nei cassetti e far scorrere i cassetti all'interno del freezer.

Raffreddamento

Conservazione alimenti

Lo scomparto frigo serve per la conservazione a breve termine di cibi freschi e bevande.

Conservare i prodotti caseari nell'apposito scomparto del frigorifero.

Le bottiglie possono essere messe nel portabottiglie o nel ripiano per bottiglie dello sportello.

La carne cruda viene conservata al meglio in una busta in polietilene nello scomparto sul fondo del frigorifero.

Lasciare che i cibi e le bevande calde si raffreddino fino a temperatura ambiente prima di metterli nel frigorifero.

• **Attenzione**

Conservare l'alcol concentrato in un contenitore esclusivamente in posizione verticale e perfettamente chiuso.

• **Attenzione**

Non conservare sostanze esplosive o contenitori con gas propellenti infiammabili (panna in bomboletta, lattine spray, ecc.) nell'elettrodomestico.

Pericolo di esplosioni.

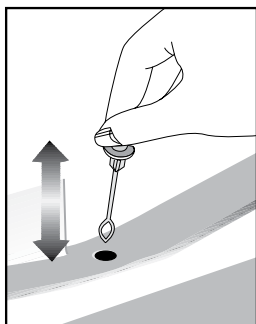
Sbrinamento dell'elettrodomestico

Lo scomparto frigo si sbrina automaticamente. L'acqua di sbrinamento scorre attraverso il canale di drenaggio fino a un contenitore di raccolta sul retro dell'elettrodomestico.

Durante lo sbrinamento, si formano goccioline di acqua sul retro del frigo a causa dell'evaporatore.

Se le gocce non scivolano via completamente, possono congelarsi di nuovo al termine dello sbrinamento. Rimuoverle con un panno inumidito con acqua calda. Non utilizzare oggetti duri o appuntiti.

Controllare periodicamente il flusso dell'acqua di sbrinamento. Potrebbe bloccarsi occasionalmente. Pulirlo con un attrezzo per pulire i tubi o qualcosa di simile.



6 Manutenzione e pulizia

- ⚠ Non usare mai gasolio, benzene o sostanze simili per scopi di pulizia.
- ⚠ È consigliato scollegare l'apparecchio prima della pulizia.
- ⚠ Non utilizzare mai attrezzi appuntiti o sostanze abrasive, saponi, detersivi per la casa o cere per la pulizia.
- ⚠ Per i prodotti non-No Frost, si verifica la formazione di gocce di acqua e ghiaccio fino allo spessore di un dito sulla parete posteriore dello scomparto frigo. Non pulire; non applicare mai olio né agenti simili.
- ⚠ Utilizzare solo panni umidi in microfibra per pulire la superficie esterna del prodotto. Spugne e altri tipi di panni per la pulizia possono graffiare la superficie.
- ℹ Utilizzare acqua tiepida per pulire l'alloggiamento del frigorifero e asciugarlo.
- ℹ Utilizzare un panno umido intriso di una soluzione composta da un cucchiaino di bicarbonato di soda e da circa mezzo litro di acqua e pulire l'interno, quindi asciugare.
- ⚠ Assicurarci che l'acqua non penetri nel quadro di comando della temperatura.
- ⚠ Se il frigorifero non viene usato per un lungo periodo di tempo, scollegare il cavo di alimentazione, rimuovere tutti gli alimenti dal suo interno, pulirlo e lasciare lo sportello aperto.
- ℹ Controllare le guarnizioni dello sportello periodicamente per garantire che siano pulite e che non siano presenti particelle di alimenti.
- ⚠ Per rimuovere le rastrelliere dello sportello, rimuovere tutto il contenuto e spingere semplicemente le rastrelliere verso l'alto.
- ⚠ Non utilizzare mai agenti di pulizia o acqua contenente cloro per pulire le superfici esterne e le parti rivestite in cromo dell'apparecchio. Il cloro provoca corrosione su tali superfici di metallo.
- ⚠ Non usare strumenti affilati e abrasivi o sapone, agenti detersivi domestici, detersivi, gasolio, benzene, cera, ecc., altrimenti le indicazioni sulle parti in plastica si toglieranno e si verificherà deformazione. Usare acqua tiepida e un panno morbido unicamente per le operazioni di pulizia e asciugatura.

Protezione delle superfici di plastica

- ℹ Non inserire oli liquidi o piatti cotti in olio nel frigorifero se in contenitori non sigillati poiché questi possono danneggiare le superfici in plastica del frigorifero. In caso di fuoriuscita di olio sulle superfici in plastica, pulire e asciugare le parti della superfici con acqua tiepida.

7 Ricerca e risoluzione dei problemi

Prima di chiamare il servizio assistenza, rivedere la lista precedente. Si risparmierà tempo e denaro. Questa lista comprende frequenti reclami che non derivano da difetti di lavorazione o dai materiali utilizzati. Alcune delle funzioni descritte qui potrebbero non esistere nel proprio apparecchio.

Il frigorifero non funziona.

- La spina non è inserita correttamente nella presa. >>>Inserire in modo sicuro la spina nella presa.
- Il fusibile della presa a cui è collegato il frigorifero o il fusibile principale sono saltati. >>>Controllare il fusibile.

Condensa sulla parete laterale dello scomparto frigo (MULTIZONE, COOL CONTROL e FLEXI ZONE).

- Lo sportello è stato aperto con eccessiva frequenza. >>>Non aprire e chiudere lo sportello del frigorifero con eccessiva frequenza.
- L'ambiente è molto umido. >>>Non installare il frigorifero in luoghi molto umidi.
- Gli alimenti che contengono liquidi sono conservati in contenitori aperti. >>>Non conservare alimenti che contengono liquido in contenitori aperti.
- Lo sportello del frigorifero è lasciato aperto. >>>Chiudere lo sportello del frigorifero.
- Il termostato è impostato ad un livello molto freddo. >>>Impostare il termostato ad un livello adatto.

Il compressore non funziona

- La protezione termica del compressore è inattiva in caso di mancanza di corrente o di mancato collegamento alla presa, se il sistema refrigerante non è ancora stato regolato. Il frigorifero comincerà a funzionare dopo circa 6 minuti. Chiamare il servizio assistenza se il frigorifero non inizia a funzionare al termine di questo periodo.

- Il frigorifero è nel ciclo di sbrinamento. >>>Si tratta di una cosa per un frigorifero con sbrinamento completamente automatico. Il ciclo di sbrinamento si verifica periodicamente.

- L'elettrodomestico non è collegato alla presa. >>>Accertarsi che la spina sia inserita nella presa.

- Le regolazioni di temperatura non sono eseguite in modo corretto. >>>Selezionare il valore di temperatura adatto.

- Vi è una mancanza di alimentazione. >>>Il frigorifero torna ad un funzionamento normale quando viene ripristinata l'alimentazione.

Il rumore aumenta quando il frigorifero sta lavorando.

- La performance operativa del frigorifero può cambiare secondo i cambiamenti della temperatura ambiente. Si tratta di una cosa normale e non di un guasto.

Il frigorifero funziona frequentemente o per lunghi periodi.

• Il nuovo apparecchio è più grande del precedente. I frigoriferi più grandi lavorano per un più lungo periodo di tempo.

• La temperatura ambiente può essere alta. >>>È normale che l'apparecchio funzioni per periodi più lunghi in ambienti caldi.

• Il frigorifero è stato collegato alla presa di recente o è stato riempito di cibo. >>>Quando il frigorifero è stato appena collegato all'alimentazione o caricato con alimenti, ci vuole più tempo per raggiungere la temperatura impostata. Questo è normale.

• Grandi quantità di cibo caldo sono state recentemente inserite. >>>Non mettere alimenti caldi nel frigorifero.

• Gli sportelli sono aperti con eccessiva frequenza o sono stati lasciati aperti a lungo. >>>L'aria tiepida entrata nel frigorifero ne provoca il funzionamento per un periodo più lungo. Non aprire gli sportelli di frequente.

• Lo sportello del freezer o dello scomparto frigo sono rimasti aperti. >>>Controllare se gli sportelli sono perfettamente chiusi.

• Il frigo è regolato a temperatura molto bassa. >>>Regolare la temperatura del frigorifero ad un livello più alto e attendere fino a che la stessa sia acquisita.

• La chiusura dello sportello del frigorifero o del freezer può essere usurata, rotta o non inserita in modo appropriato. >>>Pulire o sostituire la guarnizione. Guarnizioni rotte o danneggiate provocano il funzionamento del frigo per periodi più lunghi per mantenere la temperatura corrente.

La temperatura ambiente è molto bassa mentre la temperatura del frigorifero è sufficiente.

• La temperatura del freezer è regolata a temperatura molto bassa. >>>Regolare la temperatura ad un livello più alto e controllare.

La temperatura ambiente è molto bassa mentre la temperatura del freezer è sufficiente.

• La temperatura del frigo è regolata a temperatura molto bassa. >>>Regolare la temperatura ad un livello più alto e controllare.

Gli alimenti che sono nei cassetti dello scomparto frigo sono congelati.

• La temperatura del frigo è regolata su un valore molto alto. >>>Regolare la temperatura del frigo ad un livello più basso e controllare.

La temperatura del frigo o freezer è molto alta.

- La temperatura del frigo è regolata su un valore molto alto. >>>L'impostazione della temperatura dello scomparto frigo provoca effetti sulla temperatura del freezer. Cambiare le temperature di frigo o freezer e aspettare finché i relativi scomparti non raggiungono una temperatura sufficiente.

- Gli sportelli sono aperti con eccessiva frequenza o sono stati lasciati aperti a lungo. >>>Non aprire gli sportelli di frequente.

- Lo sportello è aperto. >>>Chiudere completamente lo sportello.

- Il frigorifero è stato recentemente collegato all'alimentazione o caricato con alimenti. >>>Questo è normale. Quando il frigorifero è stato appena collegato all'alimentazione o caricato con alimenti, ci vuole più tempo per raggiungere la temperatura impostata.

- Grandi quantità di cibo caldo sono state recentemente inserite. >>>Non mettere alimenti caldi nel frigorifero.

- Vibrazioni o rumore.

- Il pavimento non è orizzontale o stabile. >>>Se il frigorifero ondeggia quando è mosso lentamente, equilibrarlo regolando i piedini. Accertarsi anche che il pavimento sia in piano e forte abbastanza da sopportare il frigorifero.

- Gli articoli messi sul frigorifero possono provocare rumore. >>>Rimuovere gli articoli da sopra al frigorifero.

Ci sono rumori che provengono dal frigorifero come gocciolamenti, spruzzo di liquidi, ecc.

- Il flusso di liquido e gas si verifica secondo i principi operativi del frigorifero. Si tratta di una cosa normale e non di un guasto.

Dal frigorifero si sente un fischio.

- Le ventole sono usate per raffreddare il frigorifero. Si tratta di una cosa normale e non di un guasto.

Condensa sulla parete interna del frigorifero.

- Il clima caldo/umido aumenta il ghiaccio e la condensa. Si tratta di una cosa normale e non di un guasto.

- Gli sportelli sono aperti con eccessiva frequenza o sono stati lasciati aperti a lungo. >>>Non aprire gli sportelli di frequente. Chiuderli se sono aperti.

- Lo sportello è aperto. >>>Chiudere completamente lo sportello.

Umidità al di fuori del frigorifero o tra le porte.

- Potrebbe esserci umidità nell'aria; questo è normale nei climi umidi. Al diminuire dell'umidità, la condensa scompare.

Odore cattivo dentro al frigorifero.

- Non viene eseguita una pulizia regolare. >>>Pulire regolarmente l'interno del frigorifero con una spugna, acqua tiepida o carbonato di sodio diluito in acqua.
- Alcuni contenitori o alcuni materiali per la confezione possono provocare odori. >>>Usare contenitori diversi o marche diverse.
- Gli alimenti sono posti nel frigorifero in contenitori non coperti. >>>Tenere gli alimenti in contenitori chiusi. I microrganismi che fuoriescono da contenitori non coperti possono provocare odori sgradevoli.
- Rimuovere gli alimenti scaduti e che si sono rovinati nel frigorifero.

Lo sportello non è chiuso.

- Gli imballaggi degli alimenti impediscono la chiusura dello sportello. >>>Sostituire le confezioni che ostruiscono lo sportello.
- Il frigorifero non è completamente poggiato sul pavimento. >>>Regolare i piedini per bilanciare il frigorifero.
- Il pavimento non è orizzontale o forte. >>>Accertarsi che il pavimento sia in piano, forte e in grado di sopportare il frigorifero.

Gli scomparti frutta e verdura sono bloccati.

- Gli alimenti potrebbero toccare il tetto del cassetto. >>>Risistemare gli alimenti nel cassetto.

Se La Superficie Del Prodotto È Bollente.

- Quando il prodotto è in funzione, possono essere osservate alte temperature tra i due sportelli, sui pannelli laterali e sul grill posteriore. Ciò è normale e non richiede manutenzione!

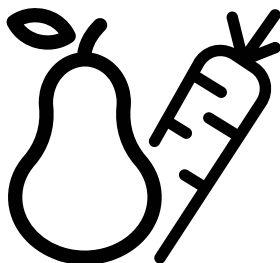
beko

Chłodziarka
Instrukcja użytkowania

Lednice
Návod k použití

Chladnička
Používateľská príručka

Šaldytuvas
Vartotojo vadovas



TSE1284N

CE

PL / CZ / SK / LIT

58 4198 0000/AB
3/6

Prosimy najpierw przeczytać tę instrukcję obsługi!

Droży Klienci,

Mamy nadzieję, że nasz wyrób, wyprodukowany w nowoczesnym zakładzie i sprawdzony według najbardziej drobiazgowych procedur kontroli jakości, będzie Wam dobrze służył.

Dlatego zalecamy, aby uważnie przeczytać całą instrukcję obsługi tego wyrobu przed jego uruchomieniem i zachować ją do wglądu w przyszłości.

Instrukcja niniejsza

- Pomoże używać tego urządzenia sprawnie i bezpiecznie.
- Przeczytajcie tę instrukcję przed zainstalowaniem i uruchomieniem lodówki.
- Postępujcie zgodnie z tymi wskazówkami, zwłaszcza dotyczącymi bezpieczeństwa.
- Przechowujcie tę instrukcję w łatwo dostępnym miejscu, bo może się przydać później.
- Prosimy przeczytać także inne dokumenty dostarczone wraz z lodówką.
- Instrukcja ta może odnosić się także do innych modeli.

Symbole i ich znaczenie

Niniejsza instrukcja obsługi zawiera następujące symbole:

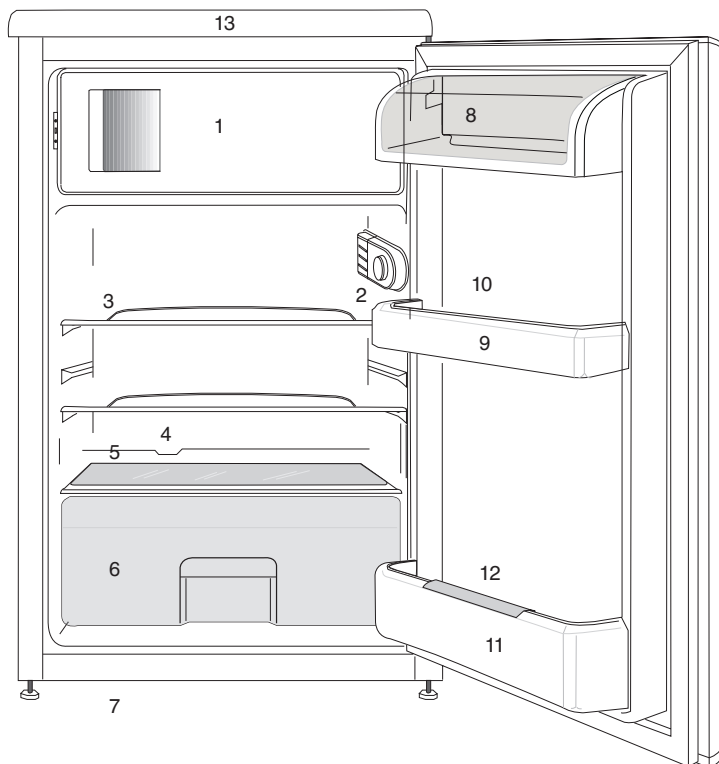
 Ważne informacje lub przydatne wskazówki użytkownika.

 Ostrzeżenie przed zagrożeniem życia i mienia.

 Ostrzeżenie przed porażeniem elektrycznym.

1 Oto Wasza chłodziarka	4	4 Przygotowanie	15
2 Ważne ostrzeżenia dot. bezpieczeństwa	5	Przekładanie drzwi	17
Zamierzone przeznaczenie	5	5 Użytkowanie chłodziarki	19
Ogólne zasady bezpieczeństwa.....	5	Zamrażanie	19
Dla modeli z wodotryskiem	9	Zamrażanie żywności.....	19
Bezpieczeństwo dzieci	9	Sporządzanie kostek lodu.....	20
Zgodność z dyrektywą WEEE i		Przechowywanie żywności	
usuwanie odpadów:	9	mrożonej	20
Zgodność z dyrektywą RoHS:.....	10	Rozmrażanie zamrażarki	20
Informacje opakowaniu	10	Chłodzenie.....	21
Ostrzeżenie HC.....	10	Przechowywanie żywności.....	21
Co robić, aby oszczędzać energię.....	10	Rozmrażanie zamrażarki	21
3 Instalacja	11	6 Konserwacja i czyszczenie	22
Przed uruchomieniem chłodziarki	11	Zabezpieczenia powierzchni	
Połączenia elektryczne	12	plastykowych	22
Usuwanie opakowania.....	12	7 Zalecane rozwiązania	23
Utylizacja starej chłodziarki	12	problemów	
Ustawienie i instalacja	12		
Regulacja nóżek	14		
Wymiana lampki oświetlenia	14		
Instalacja (pod blatem).....	14		

1 Oto Wasza chłodziarka



1. a.) Komora zamrażalnika i taca na lód (dla modeli *❄️❄️) b.) Komora mrożonki i taca na lód (dla modeli ❄️❄️)
2. Oświetlenie wewnętrzne i pokrętło termostatu
3. Półki ruchome
4. Kanał zbierania wody z rozmrażania-Rurka ściekowa
5. Pokrywa pojemnika na świeże warzywa
6. Pojemnik na świeże warzywa
7. Nastawiane nóżki przednie
8. Pojemnik na nabiał
9. Półki w drzwiczkach
10. Taca na jaja
11. Półka na butelki
12. Uchwyt na butelki
13. Obramowanie górne

i Rysunki w niniejszej instrukcji to tylko schematy i nie muszą ściśle odpowiadać Waszemu modelowi lodówki. Jeśli pewnych części nie ma w nabytej chłodziarce, to znaczy, że odnoszą się do innych modeli.

2 Ważne ostrzeżenia dot. bezpieczeństwa

Prosimy przeczytać następujące ostrzeżenia. Ich nieprzestrzeganie grozi obrażeniami lub uszkodzeniem mienia. W takim przypadku tracą ważność wszelkie gwarancje i zapewnienia niezawodności.

Oryginalne części zamienne będą dostępne przez 10 lat od daty zakupu produktu.

- w kuchniach personelu sklepu, biur i innych środowisk pracy;
- gospodarstwa rolne, przez klientów hoteli, moteli i innych miejsc typu mieszkalnego
- pensjonaty;
- catering i podobne aplikacje niehandlowe

Zamierzone przeznaczenie

- Urządzenie można używać wyłącznie w gospodarstwie domowym oraz:
- na zapleczu kuchennych personelu w sklepach, biurach i w innych miejscach pracy;
- w kuchniach wiejskich i przez gości hotelowych, w motelach i innych tego rodzaju miejscach;
- w pensjonatach serwujących nocleg ze śniadaniem;
- cateringu i w innych tego rodzajach zastosowaniach niedetalicznych.
- Nie należy używać jej na dworze. Nie nadaje się do użytkowania na dworze, nawet w miejscach zadaszonych.

Ogólne zasady bezpieczeństwa

- Gdy zechcecie pozbyć się tego urządzenia/ złomować je, zalecamy skonsultowanie się z autoryzowanym serwisem, aby uzyskać potrzebne informacje i poznać kompetentne organa.
- Konsultujcie się z Waszym autoryzowanym serwisem w

⚠	OSTRZEŻENIE: Nie blokuj otworów w e n t y l a c y j n y c h urządzenia ani w zabudowie.
⚠	OSTRZEŻENIE: Nie używaj urządzeń mechanicznych, ani innych środków do przyspieszenia procesu rozmrażania, poza tymi, które zaleca producent.
⚠	OSTRZEŻENIE: Nie uszkodź obiegu chłodzącego.
⚠	OSTRZEŻENIE: Nie używaj urządzeń elektrycznych w komorze do przechowywania żywności, chyba, że są rekomendowane przez producenta.

Urządzenie to jest przeznaczone do użytku domowego lub w podobnych miejscach, np.

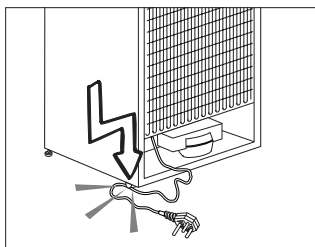
sprawach wszelkich pytań i problemów związanych z tą lodówką. Bez powiadomienia autoryzowanego serwisu nie wolno samemu ani innym osobom naprawiać chłodziarki.

- Nie jedźcie lodów ani lodu bezpośrednio po wyjęciu ich z zamrażalnika! (Może to spowodować odmrożenia w ustach).
- Nie wkładajcie do zamrażalnika napojów w puszkach ani w butelkach. Mogą wybuchnąć.
- Nie dotykajcie palcami mrożonej żywności, bo może do nich przylgnąć.
- Do czyszczenia i rozmrażania lodówki nie wolno stosować pary ani środków czyszczących w tej postaci. W takich przypadkach para może zetknąć się z częściami urządzeń elektrycznych i spowodować zwarcie albo porażenie elektryczne.
- Nie wolno używać żadnych części lodówki, takich jak drzwiczki, jako podpory ani stopnia.
- Wewnątrz lodówki nie wolno używać urządzeń elektrycznych.
- Nie wolno uszkadzać obwodu chłodzącego, w którym krąży środek chłodzący, narzędziami do wiercenia i cięcia. Środek chłodzący, który może wybuchnąć skutkiem przedziurawienia

przewodów gazowych parownika, przedłużeń rur lub powłok powierzchni, może spowodować podrażnienia skóry lub obrażenia oczu.

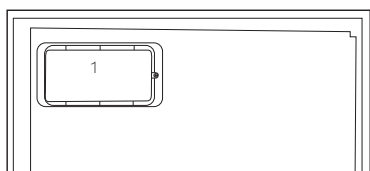
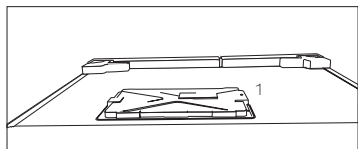
- Nie przykrywajcie żadnym materiałem ani nie blokujcie otworów wentylacyjnych w lodówce.
- Urządzenia elektryczne naprawiać mogą tylko wykwalifikowani fachowcy. Naprawy wykonywane przez osoby niekompetentne mogą powodować zagrożenie dla użytkowników.
- W razie jakiegokolwiek awarii, a także w trakcie prac konserwacyjnych lub napraw, odłączcie lodówkę od zasilania z sieci albo wyłączając odnośny bezpiecznik, albo wyjmując wtyczkę z gniazdka.
- Wyjmując przewód zasilający z gniazdka należy ciągnąć za wtyczkę, nie za przewód.
- Napoje o wyższej zawartości alkoholu wkładajcie do lodówki w ściśle zamkniętych naczyniach i w pozycji pionowej.
- Upewnij się, że wysokoprocentowe napoje alkoholowe są bezpiecznie przechowywane, szczelnie zamknięte i w pozycji pionowej.
- W celu przyspieszenia procesu rozmrażania lodówki nie należy używać żadnych urządzeń mechanicznych ani innych środków poza

- zalecanymi przez jej producenta.
- Urządzenie to nie jest przeznaczone do obsługi przez osoby (w tym dzieci) z ograniczoną sprawnością fizyczną, zmysłową lub umysłową, czy bez odpowiedniego doświadczenia i umiejętności, o ile nie zapewni się im nadzoru lub instrukcji jego użytkownika ze strony osoby odpowiedzialnej za ich bezpieczeństwo.
 - Nie uruchamiajcie lodówki, jeśli jest uszkodzona. W razie wątpliwości należy się skonsultować z serwisem.
 - Bezpieczeństwo elektryczne tej lodówki gwarantuje się tylko jeśli system uziemienia Waszej instalacji domowej spełnia wymogi norm.
 - Wystawianie tego urządzenia na działanie deszczu, śniegu, słońca i wiatru zagraża jego bezpieczeństwu elektrycznemu.
 - W razie uszkodzenia przewodu zasilającego itp. skontaktujcie się z autoryzowanym serwisem, aby nie narażać się na zagrożenie.
 - W trakcie instalowania chłodziarki nigdy nie wolno włączać wtyczki w gniazdko w ścianie. Może to zagrażać śmiercią lub poważnym urazem.
 - Chłodziarka ta służy wyłącznie do przechowywania żywności. Nie należy jej używać w żadnym innym celu.
 - Etykieta z danymi technicznymi chłodziarki umieszczona jest po lewej stronie w jej wnętrzu.
 - Nie przyłączaj tej chłodziarki do systemu oszczędzania energii, ponieważ może to ją uszkodzić.
 - Jeśli na chłodziarce pali się niebieska lampka, nie należy patrzeć na nie dłuższy czas nieosłoniętymi oczami ani przez przyrządy optyczne.
 - Jeśli od ręcznie nastawianej chłodziarki odłączy się zasilanie, prosimy odczekać co najmniej 5 minut, zanim ponownie się je załączy.
 - Jeżeli zmieni się właściciel tej chłodziarki, niniejszą instrukcję obsługi należy przekazać wraz z nią nowemu właścicielowi.
 - Przy przesuwaniu chłodziarki uważaj, żeby nie uszkodzić przewodu zasilającego. Aby zapobiec pożarowi nie wolno skręcać tego przewodu. Nie ustawiać na przewodzie żadnych ciężkich przedmiotów. Gdy wtyczka chłodziarki jest wsadzona do gniazdka nie wolno jej dotykać wilgotnymi dłońmi.



- Nie wsadzaj wtyczki chłodziarki do obluzowanego gniazdka.
- Ze względów bezpieczeństwa nie pryskaj wodą bezpośrednio na zewnętrzne ani na wewnętrzne części chłodziarki.
- Ze względu na zagrożenie pożarem i wybuchem nie rozpylaj łatwopalnych materiałów, takich jak gaz propan itp., w pobliżu chłodziarki.
- Nie stawiaj na chłodziarce przedmiotów wypełnionych wodą, ponieważ grozi to porażeniem elektrycznym lub pożarem.
- Nie przeciążaj chłodziarki nadmierną ilością żywności. Nadmiar żywności może wypaść, gdy otwiera się drzwiczki, narażając użytkownika na obrażenia ciała lub uszkodzenie chłodziarki. Nie wolno stawiać żadnych przedmiotów na chłodziarce, ponieważ mogą spaść przy otwieraniu lub zamykaniu drzwiczek.
- W chłodziarce nie należy przechowywać żadnych materiałów, które wymagają utrzymania w pewnej temperaturze, takich jak szczepionki, lekarstwa wrażliwe na temperaturę, materiały do badań naukowych itp.
- Jeśli chłodziarka ma być nieużywana przez dłuższy czas, należy wyjąć jej wtyczkę z gniazdka. Uszkodzenie izolacji elektrycznej przewodu zasilającego może spowodować pożar.
- Jeśli nastawialne nóżki nie stoją pewnie na podłodze, chłodziarka może się przesuwać. Prawidłowa regulacja nóżek chłodziarki zapewnia jej stabilność na podłodze.
- Jeśli chłodziarka ma klamkę w drzwiach nie należy ciągnąć za nią, gdy przesuwa się chłodziarkę, ponieważ można w ten sposób odłączyć ją od chłodziarki.
- Jeśli musisz ustawić chłodziarkę obok innej chłodziarki lub zamrażarki, odległość między tymi urządzeniami musi wynosić co najmniej 8 mm. W przeciwnym razie na ich ustawionych naprzeciw siebie bocznych ścianach może skraplać się wilgoć.
- Używaj wyłącznie wody pitnej.

- Nigdy nie korzystaj z urządzenia, jeśli górna lub tylna jego część, zawierająca płytki obwodów drukowanych jest otwarta (osłona płytki obwodów drukowanych) (1).



Dla modeli z wodotryskiem

- Maksymalnie dopuszczalne ciśnienie dla dopływu zimnej wody wynosi 620 kPa (90 psi). Jeśli ciśnienie wody w Państwa instalacji przekroczy 550 kPa (80 psi), należy zastosować zawór ograniczający ciśnienie w Państwa sieci wodociągowej. Jeśli nie wiedzą Państwo w jaki sposób sprawdzić ciśnienie wody, prosimy poprosić o pomoc profesjonalnego hydraulika.
- Jeśli w Państwa instalacji występuje ryzyko uderzenia wodnego, należy zawsze stosować wyposażenie zapobiegające przed uderzeniem wodnym. Jeśli nie mają Państwo pewności co do występowania efektu

uderzenia wodnego w swojej instalacji, prosimy zasięgnąć porady u profesjonalnego hydraulika.

- Nie podłączać do dopływu ciepłej wody. Zachować środki ostrożności przed ryzykiem zamarznięcia przewodów. Temperatura robocza wody powinna mieścić się w zakresie od 0,6°C (33°F) do 38°C (100°F).

- Należy używać tylko wody pitnej.

Bezpieczeństwo dzieci

- Jeśli drzwiczki zamykane są na klucz, należy go chronić przez dostępem dzieci.
- Należy zapewnić opiekę dzieciom, aby nie bawiły się lodówką.

Zgodność z dyrektywą WEEE i usuwanie odpadów:

Niniejszy wyrób jest zgodny z

dyrektywą Parlamentu Europejskiego i Rady (2012/19/WE). Wyrób ten oznaczony jest symbolem klasyfikacji zużytych urządzeń elektrycznych i elektronicznych (WEEE).



Wyrób ten wykonano z części i materiałów wysokiej jakości, które mogą być odzyskane i użyte jako surowce wtórne. Po zakończeniu użytkowania nie należy pozbywać się go razem z innymi odpadkami domowymi. Należy przekazać go do punktu zbiórki urządzeń elektrycznych i elektronicznych na surowce wtórne. Aby dowiedzieć się, gdzie jest najbliższy taki punkt,

prosimy skonsultować się z władzami lokalnymi.

Zgodność z dyrektywą RoHS:

Niniejszy wyrób jest zgodny z dyrektywą Parlamentu Europejskiego i Rady RoHS (Ograniczenie użycia substancji niebezpiecznych) (2011/65/WE). Nie zawiera szkodliwych i zakazanych materiałów, podanych w tej dyrektywie.

Informacje opakowaniu

Materiały opakowania tego wyrobu są wykonane z surowców wtórnych, zgodnie z naszymi krajowymi przepisami dotyczącymi ochrony środowiska. Materiałów opakunkowych nie wolno wyrzucać z odpadami z gospodarstwa domowego lub innymi. Należy przekazać je do punktu zbiórki surowców wtórnych.

Ostrzeżenie HC

Jeśli chłodziarka ta wyposażona jest w system chłodniczy zawierający R600a:

Gaz ten jest łatwopalny. Należy zatem uważać, aby w trakcie jego użytkowania i transportu nie uszkodzić systemu i przewodów chłodzenia. W razie uszkodzenia, należy trzymać chłodziarkę z dala od potencjalnych źródeł ognia, które mogą spowodować jej pożar i należy wietrzyć pomieszczenie, w którym jest umieszczona.

Prosimy zignorować to ostrzeżenie, jeśli chłodziarka ta wyposażona jest w system chłodniczy zawierający R134a.

Oznaczenie gazu zastosowanego w danej chłodziarce można odczytać z

tabliczki znamionowej umieszczonej z lewej strony w jej wnętrzu.

Nie należy złomować chłodziarki przez jej spalanie.

Co robić, aby oszczędzać energię.

- Nie zostawiajcie drzwiczek lodówki otwartych na dłużej.
- Nie wkładajcie do lodówki gorących potraw ani napojów.
- Nie przeładowujcie lodówki tak, aby przeszkadzało to w krążeniu powietrza w jej wnętrzu.
- Nie instalujcie lodówki tam, gdzie narażona będzie na bezpośrednie działanie słońca ani w pobliżu urządzeń wydzielających ciepło takich jak piecyki, zmywarki do naczyń lub grzejniki.
- Pamiętajcie, aby żywność przechowywać w zamkniętych pojemnikach.
- Po wyjęciu półki lub szuflady z komory zamrażalnika można do niego włożyć maksymalną ilość żywności. Deklarowane zużycie energii przez chłodziarkę określono przy półce lub szufladzie wyjętej z komory zamrażania i przy maksymalnym wypełnieniu żywnością. Używanie półki lub szuflady odpowiednio do kształtów i rozmiarów zamrażanej żywności jest bezpieczne.

3 Instalacja

i Należy pamiętać, że producent nie ponosi odpowiedzialności, jeśli są ignorowane informacje podane w niniejszej instrukcji.

1. W razie potrzeby ponownego transportu chłodziarki należy przestrzegać następujących wskazówek:
2. Przed transportem należy chłodziarkę opróżnić i oczyścić.
3. Przed ponownym zapakowaniem chłodziarki, półki, akcesoria, pojemnik na warzywa itp. należy przymocować taśmą klejącą zabezpieczając je przed wstrząsami.
4. Opakowanie należy obwiązać grubą taśmą i silnymi sznurkami i przestrzegać reguł transportu wydrukowanych na opakowaniu.

Prosimy pamiętać...

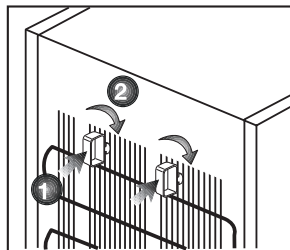
Wszystkie surowce wtórne stanowią niezbywalne źródło oszczędności zasobów naturalnych i krajowych.

Osoby pragnące przyczynić się do wtórnego wykorzystania materiałów opakunkowych, mogą uzyskać dodatkowe informacje od instytucji ochrony środowiska lub władz lokalnych.

Przed uruchomieniem chłodziarki

Przed rozpoczęciem użytkowania chłodziarki, należy sprawdzić:

1. Czy wewnątrz chłodziarki jest suche i czy powietrze może swobodnie krążyć za chłodziarką?



2. Wsadź 2 plastikowe kliny w tylną płytę wentylacyjną, jak pokazano na poniższym rysunku. Kliny plastikowe zapewniają odstęp pomiędzy chłodziarką a ścianą wymagany do umożliwienia krążenia powietrza.
3. Oczyścić wewnątrz chłodziarki, zgodnie z zaleceniami podanymi w rozdziale „Konserwacja i czyszczenie”.
4. Włączyć wtyczkę chłodziarki w gniazdko w ścianie. Po otwarciu drzwiczek chłodziarki zapali się światło we wnętrzu jej komory chłodzenia.
5. Po uruchomieniu sprężarki słyszalny będzie jej szum. Płyny i gazy zawarte w systemie chłodzenia także mogą powodować szumy, nawet jeśli nie działa sprężarka i jest to zupełnie normalne.
6. Przednie krawędzie chłodziarki mogą się nagrzewać. Jest to całkiem normalne. Te miejsca mogą się nagrzewać, zapobiegając skraplaniu się pary.

Połączenia elektryczne

Lodówkę przyłącza się do gniazdka z uziemieniem zabezpieczonego bezpiecznikiem o odpowiedniej wydajności.

Ważne:

- Przyłączenie lodówki musi być zgodne z przepisami krajowymi.
- Po instalacji wtyczka zasilania musi być łatwo dostępna.
- Podane tam napięcie musi być równe napięciu w Waszej sieci zasilającej.
- Do przyłączenia nie można używać przedłużaczy, ani przewodów z wieloma wtyczkami.

⚠ Uszkodzony przewód zasilający musi wymienić upoważniony i wykwalifikowany elektryk.

⚠ Nie można ponownie uruchomić produktu przed jego naprawieniem! Grozi to porażeniem elektrycznym!

Usuwanie opakowania

Materiały opakunkowe mogą być niebezpieczne dla dzieci. Należy chronić materiały opakunkowe przed dostępem dzieci, albo usunąć je zgodnie z instrukcją odpowiednią dla odpadków ich kategorii. Nie można pozbywać się ich w taki sam sposób, jak innych odpadków domowych.

Opakowanie tej chłodziarki wyprodukowano z surowców wtórnych.

Utylizacja starej chłodziarki

Starej chłodziarki należy pozbyć się tak, aby nie zaszkodzić środowisku naturalnemu.

- W sprawie złomowania lodówki możecie skonsultować się z autoryzowanym sprzedawcą lub punktem zbiorki surowców wtórnych w swojej miejscowości.

Przed złomowaniem lodówki należy odciąć wtyczkę zasilania elektrycznego, a jeśli w drzwiczkach są jakieś zamki, należy je trwale uszkodzić, aby zapobiec zagrożeniu dzieci.

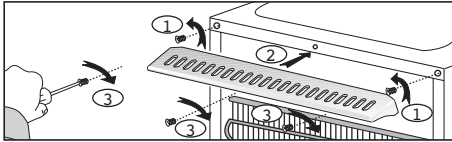
Ustawienie i instalacja

⚠ Jeśli drzwiczki wejściowe do pomieszczenia, w którym ma być zainstalowana chłodziarka, są zbyt wąskie, aby chłodziarka mogła przez nie przejść, należy wezwać autoryzowany serwis, który zdejmie z niej drzwiczki i przeniesie ją bokiem przez drzwi.

1. Chłodziarkę należy zainstalować w miejscu, w którym łatwo będzie ją używać.
2. Chłodziarka musi stać z dala od źródeł ciepła, miejsc wilgotnych i bezpośrednio nasłonecznionych.
3. Aby uzyskać wydajną pracę chłodziarki, należy zapewnić odpowiednią wentylację wokół niej. Jeśli chłodziarka ma stanąć we wnęce w ścianie, należy zachować co najmniej 5 cm odstęp od sufitu i ściany. Jeśli podłoga pokryta jest wykładziną dywanową, chłodziarka musi stać 2,5 cm ponad powierzchnią podłogi.

4. Aby uniknąć wstrząsów, chłodziarkę należy ustawić na równej powierzchni podłogi.

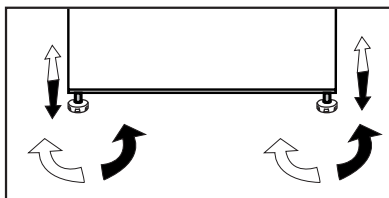
Należy zapewnić wolną przestrzeń wokół całego urządzenia w celu uzyskania prawidłowej cyrkulacji powietrza.



Regulacja nóżek

Jeśli lodówka nie stoi równo;

Można wyrównać jej ustawienie obracając przednie nóżki, tak jak pokazano na rysunku. Narożnik lodówki obniża się obracając nóżkę w tym narożniku w kierunku czarnej strzałki, lub podnosi obracając nóżkę w przeciwnym kierunku. Proces ten ułatwi lekkie uniesienie lodówki z pomocą innej osoby.



Wymiana lampki oświetlenia

Aby wymienić lampkę używaną do oświetlenia chłodziarki, prosimy wezwać autoryzowany serwis.

Lampa (lampy) wykorzystywane w tym urządzeniu nie są przeznaczone do oświetlania pomieszczeń. Lampa ta ma pomagać użytkownikowi wygodnie i bezpiecznie umieszczać pożywienie w lodówce/zamrażarce.

Żarówki używane w urządzeniu muszą wytrzymywać ekstremalne warunki fizyczne, jak np. temperatury poniżej -20°C.

Instalacja (pod blatem)

- Blat powinien być na wysokości 820 mm.(!) Jeśli pod blatem instaluje się to urządzenie, na blacie nie można umieszczać kuchenek ani innych źródeł ciepła.
- Gniazdko elektryczne w ścianie musi być blisko lewej lub prawej strony urządzenia.
- Zdejmij z urządzenia górną pokrywę. Należy usunąć 4 śrubki (2 z tyłu, 2 pod przednią krawędzią).

Rys. 1

- Odetnij część wskazaną na rysunku i zdejmij ją szczypcami.
- Wstaw urządzenie pod blat i ustaw przednie nóżki tak, aby jego górna powierzchnia dotykała blatu.
- Aby można było korzystać z urządzenia pod blatem, należy zachować odstęp pomiędzy ścianą a znakiem odniesienia na górnym złączu plastikowym na co najmniej 595 mm.

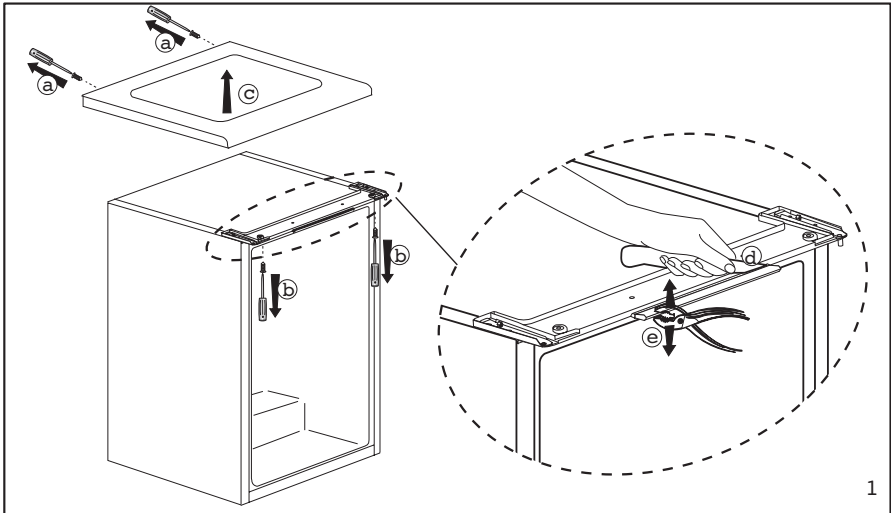
Rys. 2-3

- Umocuj urządzenie pod blatem 2 śrubkami, które wyjęto z górnej pokrywy. (Blat musi być zrobiony z plastiku, drewna, lub materiału drewnopodobnego!).

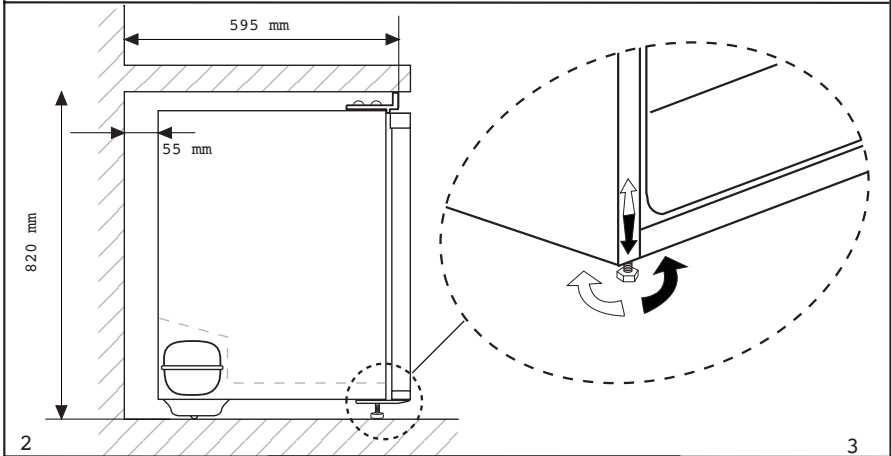
Rys. 4

4 Przygotowanie

- Chłodziarkę tę należy zainstalować przynajmniej 30 cm od źródeł ciepła takich jak kuchenka, kaloryfer lub piec, i przynajmniej 5 cm od piecyka elektrycznego, a także że należy chronić ją przez bezpośrednim działaniem słońca.
- Temperatura otoczenia w pomieszczeniu, gdzie instaluje się chłodziarkę, powinna wynosić co najmniej 10°C. Ze względu na wydajność chłodziarki nie zaleca się użytkowania jej niższych temperaturach.
- Prosimy upewnić się, że wnętrze chłodziarki zostało dokładnie oczyszczone.
- Jeśli zainstalowane mają być dwie chłodziarki obok siebie, należy zachować co najmniej 2 cm odstęp między nimi.
- Przy pierwszym uruchomieniu chłodziarki prosimy przez pierwsze sześć godzin przestrzegać następujących instrukcji.
- Nie należy zbyt często otwierać drzwiczek.
- Należy uruchomić ją pustą, bez żadnej żywności we wnętrzu.
- Nie należy wyłączać wtyczki chłodziarki z gniazdka. W przypadku awarii zasilania, której nie można samemu naprawić, prosimy zastosować się do ostrzeżenia z rozdziału „Zalecane rozwiązania problemów”.
- Aby zapewnić niskie zużycie energii i lepsze warunki przechowywania, należy zawsze korzystać z dostarczonych koszy/szuflad, znajdujących się w komorze chłodzącej.
- Jeśli jedzenie dotykać będzie czujnika temperatury znajdującego się w zamrażarce, może zwiększyć to zużycie energii. Należy w związku z tym unikać jakiegokolwiek kontaktu z tym czujnikiem (tymi czujnikami).
- Oryginalne opakowanie i elementy z pianki należy zachować do przyszłego transportu lub przeprowadzek.
- W niektórych modelach, panel instrumentów wyłącza się automatycznie w 5 minut po zamknięciu drzwi. Panel włączy się ponownie po otwarciu drzwi i naciśnięciu dowolnego przycisku.
- Zmiana temperatury w wyniku otwierania/zamykania drzwiczek powoduje skraplanie się wody na drzwiczkach i półkach urządzenia oraz szklanych pojemnikach, co jest normalnym zjawiskiem.

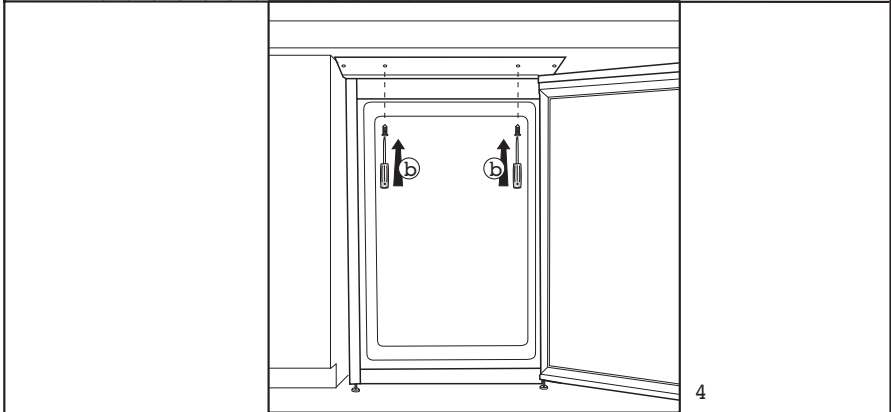


1



2

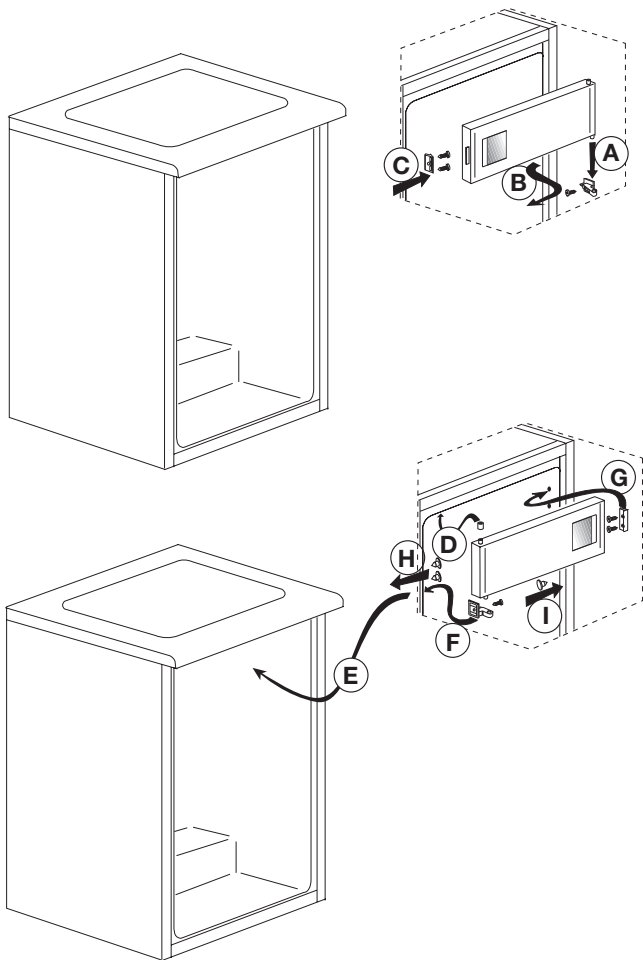
3



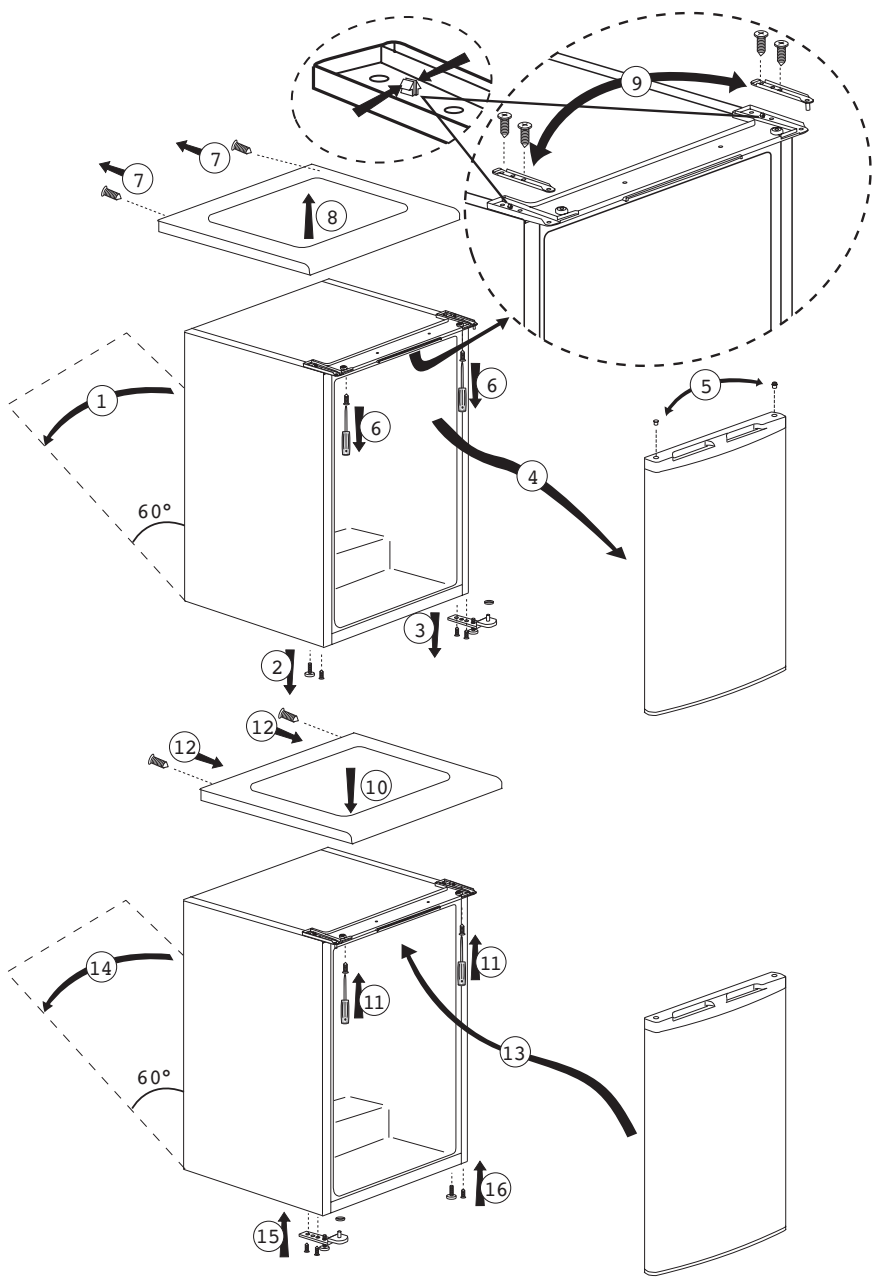
4

Przekładanie drzwi

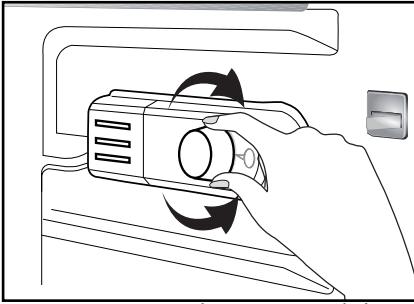
Postępuj w kolejności zgodnej z numeracją.



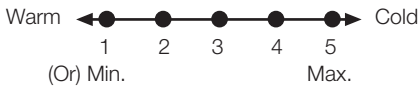
a



5 Użytkowanie chłodziarki



Temperaturę roboczą reguluje się pokrętkiem temperatury.



1 = Ustawienie najmniejszego chłodzenia (Nastawienie najcieplejsze)

5 = Ustawienie największego chłodzenia (Nastawienie najzimniejsze)

(lub)

Min. = Ustawienie najmniejszego chłodzenia

(Nastawienie najcieplejsze)

Maks. = Ustawienie największego chłodzenia

(Nastawienie najzimniejsze)

Średnia temperatura we wnętrzu chłodziarki powinna wynosić ok +5°C.

Prosimy wybrać nastawienia stosownie do pożądanej temperatury.

Można zatrzymać działanie chłodziarki nastawiając pokrętko termostatu na "0".

Prosimy zauważyć, że temperatury w obszarze chłodzenia będą się różnić.

Strefa najzimniejsza znajduje się bezpośrednio nad komorą na warzywa.

Temperatura we wnętrzu zależy także od temperatury otoczenia, częstotliwości otwierania drzwi oraz ilości przechowywanej w środku żywności.

Częste otwieranie drzwi powoduje wzrost temperatury we wnętrzu.

Z tego powodu zaleca się zamykanie drzwi z powrotem najprędzej jak to możliwe po użyciu chłodziarki.

Zamrażanie

Zamrażanie żywności

Komora zamrażania oznaczona jest tym  symbolem.

W chłodziarce można zarówno zamrażać świeżą żywność, jak i przechowywać zrywność już zamrożoną.

Prosimy zajrzeć do zaleceń podanych na opakowaniu żywności.

• Uwaga

Nie należy zamrażać napojów gazowanych, ponieważ po zamrożeniu zawartości butelka może ulec rozerwaniu.

Należy zachować ostrożność przy obchodzeniu się z produktami zamrożonymi, takimi jak barwne kostki lodu.

Nie należy przekraczać 24-godzinnej zdolności zamrażania zamrażarki. Patrz: tabliczka znamionowa.

Aby zachować oryginalne właściwości żywności, należy ją zamrażać tak szybko, jak to możliwe.

W ten sposób nie przekracza się zdolności zamrażania i temperatura wewnątrz chłodziarki nie wzrośnie.

• Uwaga

Żywność uprzednio zamrożoną i świeżo zamrażaną należy przechowywać osobno.

Przy zamrażaniu żywności gorącej kompresor chłodzący pracować będzie aż po całkowite jej zamrożenie. Może to tymczasowo spowodować nadmierne ochłodzenie komory chłodniczej.

Jeśli drzwi zamrażarki trudno otwierają się zaraz po ich zamknięciu, nie ma powodu do obaw. Dzieje się tak z powodu różnicy ciśnień, które wyrównają się, co po kilku minutach umożliwi normalne otwieranie drzwi.

Zaraz po zamknięciu drzwi słychać odgłos próżni. Jest to całkiem normalne.

Sporządzanie kostek lodu

Tackę na kostki lodu należy w 3/4 napełnić wodą i umieścić w zamrażarce.

Gdy tylko woda zamarznie, można wyjąć kostki lodu.

Do wyjęcia kostek lodu nie wolno używać ostrych przedmiotów takich jak nóż, czy widelec. Grozi to skałeczeniem!

Należy raczej pozostawić lód, aby lekko odtajał, albo na chwilę włożyć spód tacki do gorącej wody.

Przechowywanie żywności mrożonej

Komora na żywność mrożoną oznaczona jest symbolem (**).

Komora na żywność mrożoną służy do przechowywania mrozonek spożywczych. Zawsze należy przestrzegać zaleceń co do przechowywania podanych na opakowaniu mrozonek.

Rozmrażanie zamrażarki

Nadmierne osadzanie się lodu szkodzi zdolności zamrażania chłodziarki.

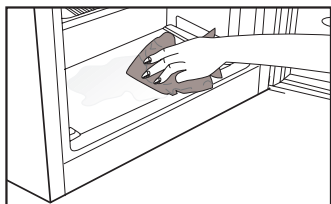
Zaleca się zatem rozmrażanie zamrażarki co najmniej dwa razy rocznie, lub gdy osad lodu przekroczy 7 mm grubości.

Chłodziarkę należy rozmrażać, gdy jest pusta lub jest w niej bardzo niewiele żywności.

Należy wyjąć żywność zamrożoną. Następnie należy owinąć ją w kilka warstw papieru lub ściereczkę i przechować w chłodnym miejscu.

Dalej należy wyjąć wtyczkę zasilania chłodziarki z gniazdka lub wyłączyć aby rozpocząć proces rozmrażania.

Należy wyjąć z chłodziarki akcesoria (takie jak półki, szuflady itp.) oraz zbierać rozmrażaną wodę do odpowiedniego naczynia.



W razie potrzeby rozmrażaną wodę usuwa się gąbką lub miękką ściereczką z komory zamrażania

 i z komory na mrożonki. 

W trakcie rozmrażania drzwi powinny być otwarte.

Aby przyspieszyć rozmrażanie można wewnątrz chłodziarki umieścić naczynia z ciepłą wodą.

Do usuwania lodu nie wolno używać urządzeń elektrycznych, płynów rozmrażających, ani przedmiotów o ostrych końcach lub krawędziach takich jak noże i widelce.

Po odszronieniu oczyścić wnętrze.

Teraz można ponownie włączyć chłodziarkę do sieci zasilającej. Należy umieścić mrożoną żywność w szufladach i wsunąć je do zamrażarki.

Chłodzenie

Przechowywanie żywności

Komora chłodnicza służy do krótkoterminowego przechowywania świeżej żywności i napojów.

Produkty mleczne należy przechowywać w komorze w zagłębieniu chłodziarki.

Butelki można przechowywać w uchwycie na butelki lub na półce na butelki w drzwiach.

Surowe mięso najlepiej przechowywać w polietylenowym woreczku w komorze na samym dnie chłodziarki.

Przed włożeniem do chłodziarki gorącą żywność i napoje należy ostudzić do temperatury pokojowej.

• Uwaga

Alkohol wysokoprocentowy należy przechowywać wyłącznie w dokładnie zamkniętych naczyniach ustawionych w pozycji pionowej.

• Uwaga

W chłodziarce nie należy przechowywać substancji wybuchowych ani pojemników z łatwopalnymi gazami pędnymi (śmietana w puszkach, puszki z rozpylaczami itp.).

Zachodzi tu zagrożenie wybuchem.

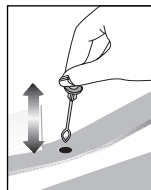
Rozmrażanie zamrażarki

Komora chłodziarki rozmraża się automatycznie. Rozmrażana woda spływa kanałem ściekowym do pojemnika zbiorczego z tyłu chłodziarki.

W trakcie rozmrażania na tylnej ścianie chłodziarki zbierają się kropelki wody do odparowania w parowniku.

Jeśli nie wszystkie krople spłyną na dół, mogą ponownie zamarznąć po zakończeniu rozmrażania. Należy je usunąć miękką ściereczką zwilżoną ciepłą wodą. Nie należy używać twardych ani ostrych przedmiotów.

Od czasu do czasu należy sprawdzić odpływ rozmrażanej wody. Może się on okazać zatkany. Należy to oczyścić środkiem do czyszczenia rur lub podobnym.



6 Konserwacja i czyszczenie

- ⚠ Do czyszczenia chłodziarki nie wolno używać benzyny, benzenu, ani podobnych substancji.
- ⚠ Zaleca się wyłączenie wtyczki chłodziarki z gniazdka przed jej czyszczeniem.
- ⚠ Do czyszczenia nie wolno stosować żadnych szorstkich narzędzi ani mydła, domowych środków czystości, detergentów, ani wosku do polerowania.
- ⚠ W przypadku produktów, które nie mają funkcji No Frost, na tylnej ścianie wewnątrz komory chłodzenia mogą pojawiać się krople wody i szron. Nie należy ich usuwać; nie stosować tłuszczu ani podobnych środków.
- ⚠ Należy używać wyłącznie wilgotnej ściereczki z mikrofibry w celu wyczyszczenia zewnętrznej części produktu. Gąbki lub inne materiały do czyszczenia mogą powodować zadrapania na powierzchni.
- ℹ Umyj obudowę chłodziarki letnią wodą i wytrzyj ją do sucha.
- ℹ Wnętrze należy czyścić ściereczką zamoczoną i wyżętą w roztworze jednej łyżeczki do herbaty sody oczyszczonej w 0,5 litra wody, a następnie wytrzeć do sucha.
- ⚠ Zadbaj, aby do obudowy lampki i innych urządzeń elektrycznych nie dostała się woda.
- ⚠ Jeśli chłodziarka ma być nieużywana przez dłuższy okres czasu, należy ją wyłączyć i całkowicie opróżnić z żywności, oczyścić i pozostawić z uchylonymi drzwiczkami.
- ℹ Regularnie sprawdzać, czy uszczelki w drzwiczkach są czyste i nie osadzają się na nich cząstki żywności.
- ⚠ Aby wyjąć półki z drzwiczek, opróżnić je z zawartości, a potem po prostu nacisnąć od podstawy ku górze.
- ⚠ Do czyszczenia powierzchni zewnętrznych i chromowanych części produktu nie należy używać ani środków czyszczących, ani wody z zawartością chloru. Chlor powoduje korozję takich powierzchni metalowych.
- ⚠ Nie korzystaj z ostrych i ścierających narzędzi lub mydła, domowych środków czyszczących, detergentów, benzyny, benzenu, wosku, itp., gdyż może to spowodować odklejenie się znaczków i części plastikowych oraz może doprowadzić do deformacji. Do czyszczenia używaj ciepłej wody i miękkiej ściereczki, następnie wytrzyj do sucha.

Zabezpieczenia powierzchni plastikowych

- ℹ Nie wkładać do chłodziarki oleju ani potraw smażonych na oleju w nieszczelnych pojemnikach, ponieważ może to uszkodzić jej plastikowe powierzchnie. W razie rozlania się lub rozsmarowania oleju na plastikowej powierzchni, od razu oczyścić i opłukać ciepłą wodą jej zabrudzoną część.

7 Zalecane rozwiązania problemów

Prosimy zapoznać się z tym wykazem przed wezwaniem serwisu. Może to oszczędzić Wasz czas i pieniądze. Wykaz ten zawiera częste kłopoty, które nie wynikają z wadliwego wykonania ani zastosowania wadliwych materiałów. Niektóre z opisanych tu funkcji mogą nie występować w tym modelu urządzenia.

Chłodziarka nie działa.

- Czy jest prawidłowo przyłączona do zasilania? Włożyć wtyczkę do gniazdka.
- Czy nie zadziałał bezpiecznik gniazdka, do którego jest przyłączona albo bezpiecznik główny? Sprawdzić bezpiecznik.

Skropliny na bocznej ścianie komory chłodzenia (MULTIZONE, COOL CONTROL oraz FLEXI ZONE).

- Bardzo niska temperatura otoczenia. Częste otwieranie i zamykanie drzwiczek. Znaczna wilgoć w otoczeniu. Przechowywanie żywności zawierającej płyny w otwartych pojemnikach. Pozostawienie uchylonych drzwiczek. Przełączyć termostat na niższą temperaturę.
- Otwierać drzwiczki na krócej albo rzadziej.
- Nakrywać żywność przechowywaną w otwartych pojemnikach odpowiednim materiałem.
- Wycierać skropliny suchą ściereczką i sprawdzać, czy nadal się utrzymują.

Sprężarka nie działa

- Zabezpieczenie termiczne sprężarki zadziała w trakcie nagłego zaniku zasilania lub załącza się i wyłącza, ponieważ nie wyrównało się jeszcze ciśnienie w systemie chłodzącym chłodziarki. Chłodziarka zacznie działać po ok. 6 minutach. Jeśli po upływie tego czasu chłodziarka nie zacznie działać, prosimy wezwać serwis.
- Chłodziarka jest w cyklu rozmrażania. Ton normalne dla chłodziarki z całkowicie automatycznym rozmrażaniem. Cykl rozmrażania następuje okresowo.
- Chłodziarka nie jest włączona do gniazdka. Upewnij się, że wtyczka jest prawidłowo włożona do gniazdka.
- Czy temperatura jest właściwie nastawiona?
- Być może w sieci nie ma prądu.

Chłodziarka pracuje często lub przez zbyt długi czas.

- Nowa chłodziarka jest szersza od poprzedniej. Jest to całkiem normalne. Duże chłodziarki działają przez dłuższy czas.
- Zbyt wysoka temperatura otoczenia. Jest to całkiem normalne.
- Chłodziarka została niedawno załączona lub jest przeładowana żywnością. Całkowite ochłodzenie chłodziarki może potrwać o parę godzin dłużej.
- Ostatnio włożono do chłodziarki znaczne ilości gorącej żywności. Gorące potrawy powodują dłuższą pracę chłodziarki zanim osiągnie temperaturę przechowywania.
- Zbyt często otwierano drzwiczki lub na dłużej pozostawiano je uchylone. Ciepłe powietrze, które weszło do chłodziarki, powoduje, że działa ona dłużej. Rzadziej otwierać drzwiczki.
- Pozostawiono uchylone drzwiczki komory chłodzenia lub zamrażania. Sprawdzić, czy drzwiczki są szczelnie zamknięte.
- Chłodziarka jest nastawiona na bardzo niską temperaturę. Nastawić chłodziarkę na wyższą temperaturę i odczekać, aż zostanie ona osiągnięta.
- Uszczelka w drzwiczkach chłodziarki lub zamrażalnika jest zabrudzona, uszkodzona, pęknięta lub nieprawidłowo włożona. Oczyszczyć lub wymienić uszczelkę. Uszkodzona/pęknięta uszczelka powoduje, że chłodziarka pracuje przez dłuższy czas, aby utrzymać bieżącą temperaturę.

Temperatura zamrażalnika jest bardzo niska, a temperatura chłodzenia jest wystarczająca.

- Chłodziarka jest nastawiona na bardzo niską temperaturę zamrażania. Nastawić chłodziarkę na wyższą temperaturę zamrażania i sprawdzić.

Temperatura chłodzenia jest bardzo niska, a temperatura zamrażania jest wystarczająca.

- Chłodziarka nastawiona jest na bardzo niską temperaturę chłodzenia. Nastawić chłodziarkę na wyższą temperaturę chłodzenia i sprawdzić.

Żywność przechowywana w szufladach komory zamraża.

- Chłodziarka nastawiona jest na bardzo niską temperaturę chłodzenia. Nastawić chłodziarkę na wyższą temperaturę chłodzenia i sprawdzić.

Bardzo wysoka temperatura w chłodziarce lub zamrażalniku.

- Chłodziarka nastawiona jest na bardzo wysoką temperaturę chłodzenia. Nastawienia chłodziarki wpływają na temperaturę w zamrażalniku. Zmienić temperaturę w chłodziarce lub zamrażalniku aż osiągnie odpowiedni poziom.
- Zbyt często otwierano drzwiczki lub na dłużej pozostawiano je uchylone, należy je rzadziej otwierać.
- Drzwiczki pozostawiono uchylone, należy je dokładnie zamknąć.
- Ostatnio włożono do chłodziarki znaczne ilości gorącej żywności. Odczekać, aż temperatura w chłodziarce lub zamrażalniku osiągnie właściwy poziom.
- Chłodziarkę załączono niedawno. Całkowite chłodzenie chłodziarki trochę potrwa.

Gdy chłodziarka pracuje, poziom hałasu wrasta.

- Z powodu zmian temperatury otoczenia zmieniły się charakterystyki eksploatacyjne chłodziarki. Jest to stan normalny, nie zaś awaria.

Drgania lub hałas

- Nierówna lub słaba podłoga. Chłodziarka podskakuje, gdy porusza się ją powoli. Sprawdź, czy podłoga jest równa i wytrzymuje ciężar chłodziarki.
- Hałas powodują rzeczy położone na chłodziarce. Należy usunąć przedmioty ustawione na chłodziarce.

Z chłodziarki dochodzą odgłosy przelewania się i syczenia płynu.

- Zgodnie z zasadą funkcjonowania chłodziarki następują przepływy płynu lub gazu. Jest to stan normalny, nie zaś awaria.

Odgłos jakby szumu wiatru.

- Do ochłodzenia chłodziarki użyto wentylatorów. Jest to stan normalny, nie zaś awaria.

Skropliny na wewnętrznych ściankach chłodziarki.

- Ciepła i wilgotna pogoda sprzyja oblodzeniu i skraplaniu. Jest to stan normalny, nie zaś awaria.
- Drzwiczki mogą być uchylone, upewnij się, że są całkowicie zamknięte.
- Zbyt często otwierano drzwiczki lub na dłużej pozostawiano je uchylone, należy je rzadziej otwierać.

Na zewnątrz chłodziarki, lub pomiędzy drzwiczkami pojawia się wilgoć.

- Być może w powietrzu jest wilgoć; to całkiem normalne przy wilgotnej pogodzie. Gdy wilgoć w powietrzu ustąpi, skropliny znikną.

Nieprzyjemna woń wewnątrz chłodziarki.

- Trzeba oczyścić wnętrze chłodziarki. Oczyść wnętrze chłodziarki gąbką namoczoną w ciepłej lub gazowanej wodzie.
- Woń powodują jakieś pojemniki lub materiały opakowaniowe. Używać innych pojemników lub materiałów opakowaniowych innej marki.

Drzwiczki są niezamknięte.

- W zamknięciu drzwiczek przeszkadzają paczki z żywnością. Przełożyć paczki przeszkadzające zamknięciu drzwiczek.
- Chłodziarka nie stoi całkiem pionowo na podłodze i kiwa się przy lekkim poruszeniu. Wyregulować wysokość nóżek.
- Podłoga nie jest równa lub dość wytrzymała. Sprawdzić, czy podłoga jest równa i wytrzymuje ciężar chłodziarki.

Szuflady do przechowywania świeżych warzyw się zatarły.

- Żywność dotyka sufitu szuflady. Zmienić ułożenie żywności w szufladzie.

Jeśli Powierzchnia Produktu Jest Gorąca.

- Podczas pracy produktu obszar między drzwiczkami, panele boczne i tylny ruszt mogą osiągać wysoką temperaturę. Jest to normalne zjawisko i nie oznacza konieczności dokonywania naprawy!

Gwarancja jakości

Twój produkt marki BEKO posiada gwarancję jakości udzieloną przez Beko S.A z siedzibą w Warszawie ul. Puławska 366, 02-819 Warszawa (dalej Gwarant). Gwarancja jakości udzielana jest wyłącznie na produkty marki BEKO wprowadzane do obrotu na terytorium Rzeczypospolitej Polskiej przez Gwaranta. Termin gwarancji wynosi 24 miesiące od daty zakupu produktu. Oświadczenie gwarancyjne określające warunki gwarancji znajdziesz na stronie internetowej www.beko.pl w sekcji serwis.

Warunkiem wykonywania uprawnień z gwarancji jest przedstawienie dowodu zakupu produktu lub zarejestrowanie produktu na stronie www.beko.pl w sekcji serwis .

Zarejestruj swój produkt.

Załącz konto oraz zarejestruj teraz swój produkt marki BEKO objęty gwarancją na naszej stronie internetowej www.beko.pl w sekcji serwis. Dzięki temu nie będziesz musiał się martwić w sytuacji gdy zgubisz dowód zakupu. Ponadto będziesz miał możliwość otrzymania oświadczenia gwarancyjnego w postaci „cyfrowej karty gwarancyjnej”.

Obsługa klienta – infolinia 22 250 14 14

W celu zgłoszenia reklamacji lub usterki produktu marki BEKO prosimy o kontakt telefoniczny z infolinią . Nasi konsultanci pomogą ci rozwiązać problem lub skierują do właściwego serwisu BEKO.

Infolinia czynna jest 7 dni w tygodniu od 8.00 do 20:00.

* Koszt połączenia jak za połączenie lokalne (z telefonu stacjonarnego) lub według stawek operatora sieci komórkowej.



Podpis i pieczęć instalatora (z numerem uprawnienia) w przypadku montażu urządzeń gazowych lub płyt i piekarników elektrycznych

Aby otrzymać więcej informacji dotyczących serwisu BEKO np. gdzie kupić części zamienne lub akcesoria należy odwiedzić stronę internetową www.beko.pl i wybrać zakładkę serwis.

Nejprve si přečtete tento návod!

Vážený zákazníku,

Doufáme, že výrobek, který byl vyroben v moderních závodech a kontrolován v souladu s nejpřísnějšími postupy kontroly kvality, vám zajistí účinný provoz.




Z tohoto důvodu vám doporučujeme pozorně si přečíst celý návod k výrobku, než jej použijete, a uskladněte je v dosahu pro budoucí použití.

Tento návod

- Pomůže vám s použitím spotřebiče rychle a bezpečně.
- Návod si přečtete dříve, než produkt nainstalujete a zapnete.
- Dodržujte pokyny, zejména ty, které se týkají bezpečnosti.
- Návod uschovejte na snadno přístupném místě, možná jej budete později potřebovat.
- Kromě toho si přečtete i další dokumenty dodané s výrobkem.
- Nezapomeňte, že tento návod může platit i pro jiné modely.

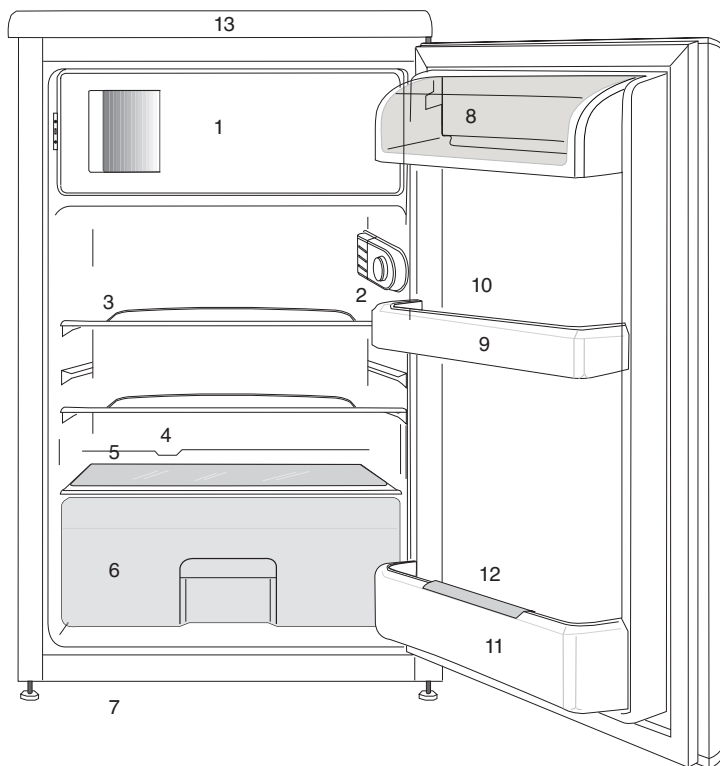
Symbyly a jejich popis

Tento návod obsahuje následující symbyly:

-  Důležité informace nebo užitečné tipy k použití.
-  Varování před nebezpečnými situacemi pro život a majetek.
-  Varování na elektrické napětí.

1 Vaše chladnička	4	4 Příprava	13
2 Důležitá bezpečnostní upozornění	5	Změna dvířek	15
Určené použití	5	5 Používání chladničky	17
U výrobků s dávkovačem vody;	8	Mražení	17
Bezpečnost dětí	8	Mražení potravin	17
Dodržování směrnice WEEE a o likvidaci odpadů;	8	Tvorba ledových kostek	18
Dodržování směrnice RoHS;	9	Skladování zmražených potravin	18
Informace o balení	9	Odmrazování spotřebiče	18
Upozornění HC	9	Chlazení	19
Postup pro úsporu energie	9	Skladování potravin	19
3 Instalace	10	Odmrazování spotřebiče	19
Body ke zvážení při přepravě chladničky	10	6 Údržba a čištění	20
Než chladničku zapnete	10	Ochrana plastových ploch	20
Zapojení do sítě	10		
Likvidace obalu	11		
Likvidace vaší staré chladničky	11		
Umístění a instalace	11		
Výměna žárovky	12		
Nastavování nožek	12		
Instalace (pod linku)	12		

1 Vaše chladnička



1. a.) Mrazicí prostor a tácek na led (pro modely *** ****) b.) Prostor pro zmražené potraviny a tácek na led (pro modely ******)

2. Vnitřní světlo a tlačítko termostatu

3. Posuvné police

4. Kanál pro sběr odmražené vody
- Odčerpávací trubice

5. Kryt přihrádek na čerstvé potraviny

6. Přihrádka na uchování čerstvých potravin

7. Nastavitelné přední nožky

8. Prostor pro mléčné výrobky

9. Poličky ve dveřích

10. Tácek na vejce

11. Police na lahve

12. Uchycení na lahve

13. Horní obložení

! Obrázky uvedené v tomto návodu k použití jsou schematické a nemusí přesně korespondovat s vaším výrobkem. Pokud zobrazené části nejsou obsaženy v produktu, který jste zakoupili, jde o součásti jiných modelů.

2 Důležitá bezpečnostní upozornění

Prostudujte si následující informace. Nedodržení těchto informací může vést ke zraněním nebo škodám na majetku. Jinak neplatí záruka ani jiné závazky.

Originální náhradní díly budou dodávány po dobu 10 let od koupě výrobku.

Určené použití

⚠	UPOZORNĚNÍ: V případě, že je zařízení v ochranné fázi nebo umísteno, ujistěte se, zda nejsou odvětrávací dírky uzavřeny.
⚠	UPOZORNĚNÍ: Za účelem urychlení rozpouštění ledu nepoužívejte žádné jiné mechanické zařízení nebo jiný přístroj než ty jež byly doporučeny výrobcem.
⚠	UPOZORNĚNÍ: Pokud je chladidlo v provozu, nezasahujte do jeho obvodu.
⚠	UPOZORNĚNÍ: Uvnitř skladovacích prostor jídla přístroje nepoužívejte jiná elektrická zařízení než ta, která byla doporučena výrobcem.
⚠	UPOZORNĚNÍ: Neskladujte výbušné látky, jako jsou lahve s aerosolem s hořlavými hnacími plyny v tomto spotřebiči.

Toto zařízení bylo navrženo pro použití v domácnosti nebo pro níže uvedené aplikování.

- V kuchyních personálu obchodů, kanceláří a jiných pracovních míst;

- Za účelem použití návštěvníky farem a hotelů, motelů a jiných míst s ubytováním.

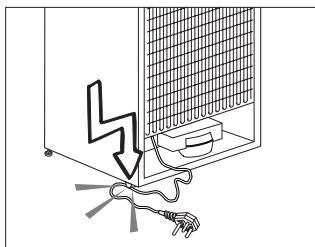
Obecná bezpečnost

- Když chcete výrobek zlikvidovat/sešrotovat, doporučujeme kontaktovat autorizovaný servis, kde zjistíte nezbytné informace a autorizované orgány.
- Veškeré otázky a problémy související s chladničkou vám pomůže vyřešit autorizovaný servis. Nezasahujte do chladničky a nikomu toto nedovolte bez upozornění autorizovaného servisu.
- U výrobků s prostorem mrazničky; Nejezte zmrzlinu a kostky ledu bezprostředně poté, co je vyjmete z prostoru mrazničky! (Může dojít k omrznutí úst.)
- U výrobků s prostorem mrazničky; Nevkládejte do prostoru mrazničky nápoje v lahvích a plechovkách. Jinak by mohlo dojít k jejich explozi.
- Nedotýkejte se mražených potravin rukou; mohou se vám přilepit k ruce.
- Odpojte chladničku, než ji vyčistíte nebo odmrazíte.

- Výpary a parní čisticí materiály nikdy nepoužívejte při čištění a odmrazování chladničky. V těchto případech by se totiž výpary mohly dostat do styku s elektrickými součástmi a způsobit zkrat či zásah elektrickým proudem.
- Nikdy nepoužívejte součásti na chladničce, jako je ochranná deska, jako dvířka nebo podpreru nebo schůdek.
- Nepoužívejte elektrická zařízení uvnitř chladničky.
- Nepoškozujte součásti, kde obíhá chladicí médium, vrtáním nebo řezáním. Chladicí médium by mohlo vytéct v místech porušení plynových kanálů výparníku, prodlouženích trubek nebo povrchových vrstev a způsobit podráždění kůže a zranění očí.
- Nezakrývejte a neblokujte větrací otvory na chladničce žádným materiálem.
- Elektrické spotřebiče musejí opravovat jen autorizované osoby. Opravy provedené nekompetentními osobami mohou vést k ohrožení uživatele.
- V případě poruchy nebo při údržbě či opravách odpojte napájení chladničky buď vypnutím příslušné pojistky nebo odpojením spotřebiče.
- Netahejte za kabel – tahejte za zástrčku.
- Ujistěte se, že nápoje s vysokým obsahem alkoholu jsou bezpečně uzavřené a umístěné kolmo.
- Nikdy neskladujte nádoby s hořlavými spreji a výbušnými látkami v chladničce.
- Nepoužívejte mechanické nástroje nebo jiné prostředky k urychlení procesu odmrazení s výjimkou těch, které doporučuje výrobce.
- Tento výrobek by neměly používat osoby s tělesnými, smyslovými nebo duševními poruchami či nezkušené nebo nepoučené osoby (včetně dětí), pokud jsou bez dohledu osoby, která bude odpovídat za jejich bezpečnost nebo která jim poskytne náležité školení k používání výrobku
- Nepoužívejte poškozenou chladničku. V případě jakýchkoli pochybností kontaktujte servisního zástupce.
- Elektrická bezpečnost chladničky je zaručena pouze tehdy, pokud systém uzemnění ve vašem domě splňuje patřičné normy.
- Vystavení výrobku dešti, sněhu, slunci a větru je nebezpečné z hlediska elektrické bezpečnosti.
- Pokud dojde k poškození napájecího kabelu, kontaktujte autorizovaný servis.
- Během instalace nikdy nezapojte chladničku k zásuvce. Jinak může dojít k ohrožení zdraví s následkem smrti.
- Tato chladnička je určena jen k uchovávání potravin. Neměla

by být používána k žádnému jinému účelu.

- Štítek s technickými parametry se nachází na levé stěně uvnitř chladničky.
- Nikdy nepřipojujte chladničku k systémům pro úsporu elektřiny; mohly by chladničku poškodit.
- Pokud se na chladničce rozsvítí modré světlo, nedívejte se do něj nezakrytými očima nebo bez ochranných pomůcek příliš dlouho.
- U manuálně ovládaných chladniček počkejte nejméně 5 minut, než chladničku po výpadku energie znovu spustíte.
- Tento návod k použití předejte novému majiteli v případě prodeje výrobku.
- Při přepravě chladničky nepoškozujte napájecí kabel. Ohnutím kabelu může dojít k požáru. Na napájecí kabel nikdy nestavte těžké předměty. Nedotýkejte se zástrčky mokřými rukama při zapojování výrobku.

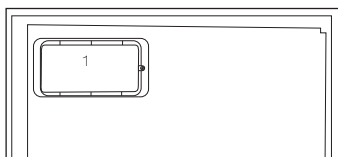
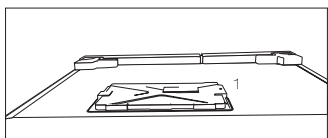


- Nezapojujte chladničku, pokud je zásuvka uvolněna.
- Nestříkejte vodu přímo na vnitřní či vnější části výrobku z bezpečnostních důvodů.

- Do blízkosti chladničky nestříkejte látky s hořlavými plyny, jako je propan, aby nedošlo k požáru a výbuchu.
- Na horní stranu chladničky nikdy nestavte nádoby naplněné vodou, jinak by mohlo dojít k zásahu elektrickým proudem nebo k požáru.
- Do chladničky nevkládejte přílišná množství potravin. Při přeplnění mohou potraviny spadnout dolů a poranit vás a poškodit chladničku při otevření dveří. Na horní stranu chladničky nic nestavte; tyto předměty by jinak mohly spadnout, až otevřete nebo zavřete dvířka chladničky.
- Jelikož vakcíny, léky citlivé na teplo a vědecké materiály atd. vyžadují přesnou teplotu, neskladujte je tedy v této chladničce.
- Pokud chladničku delší dobu nebudete používat, odpojte ji. Možný problém napájecího kabelu by mohl způsobit požár.
- Chladničku se může pohybovat, pokud její nožky nejsou řádně upevněny na podlaze. Správným nastavením nožek na podlaze předejdete pohybu chladničky.
- Při přenášení chladničky ji nedržte za kliku dvířek. Jinak by se mohla odlomit.
- Když musíte postavit tento výrobek vedle jiné chladničky nebo mrazničky, vzdálenost mezi zařízeními by měla být

nejméně 8 cm. Jinak by mohlo dojít k provlhnutí sousedních stěn.

- Nikdy nepoužívejte výrobek, pokud část nacházející se na horní nebo zadní straně výrobku s elektronickou deskou s plošným spojem uvnitř je otevřená (krycí deska elektronických plošných spojů) (1).



U výrobků s dávkovačem vody:

- Tlak pro přívod studené vody musí být maximálně 90 psi (620 kPa). Pokud je váš tlak vody vyšší než 80 psi (550 kPa), použijte ve vaší síti ventil na omezování tlaku. Pokud nevíte, jak zkontrolovat tlak vody, požádejte o pomoc profesionálního instalatéra.
- Pokud při instalaci existuje riziko vodního rázu, vždy použijte preventivně zařízení proti vodnímu rázu. Pokud jste si není jistý, zda ve Vaší síti je efekt vodního rázu, poraďte se

s profesionálním instalatérem.

- Neinstalujte na přívodu pro teplou vodu. Proveďte nezbytná opatření proti riziku zamrznutí hadic. Provozní interval teplota vody musí být mezi minimálně 33 °F (0,6 °C) a maximálně 100 °F (38 °C).
- Používejte jen pitnou vodu.

Bezpečnost dětí

- Pokud mají dvířka zámek, měli byste skladovat klíč mimo dosah dětí.
- Děti je nutno kontrolovat, aby nezasahovaly do součástí výrobku.

Dodržování směrnice WEEE a o likvidaci odpadů:



Tento produkt splňuje směrnici EU WEEE (2012/19/EU). Tento výrobek nese symbol pro třídění, platný pro elektrický a elektronický odpad (WEEE).

Tento produkt byl vyroben z vysoce kvalitních součástí a materiálů, které lze znovu použít a které jsou vhodné pro recyklaci. Produkt na konci životnosti nevyhazujte do běžného domácího odpadu. Odveďte ho do sběrného místa pro recyklaci elektrických a elektronických zařízení. Informace o těchto sběrných místech získáte na místních úřadech.

Dodržování směrnice

RoHS:

Produkt, který jste zakoupili splňuje směrnici EU RoHS (2011/65/EU). Neobsahuje žádné škodlivé ani zakázané materiály, které jsou směrnici zakázané.

Informace o balení

Balící materiály jsou vyrobeny z recyklovatelných materiálů v souladu s našimi národními směrnici na ochranu životního prostředí. Balící materiály nevyhazujte do domácího nebo jiného odpadu. Odveďte je na sběrné místo balícího materiálu, které má pověření místních orgánů.

Upozornění HC

Pokud chladicí systém vašeho výrobku obsahuje R600a:

Tento plyn je hořlavina. Dávejte tedy pozor, abyste nepoškodili systém chlazení a potrubí během použití a přepravy. V případě poškození udržujte výrobek mimo potenciální zdroje hoření, které mohou způsobit vznícení výrobku, a vyvětrejte místnost, v níž je přístroj umístěn.

Ignorujte toto upozornění, pokud chladicí systém vašeho výrobku obsahuje R134a.

Typ plynu použitý ve výrobku je uveden na typovém štítku na levé stěně uvnitř chladničky.

Výrobek nikdy nevhazujte do ohně.

Postup pro úsporu energie

- Nenechávejte dvířka chladničky otevřená delší dobu.
- Nevkládejte do chladničky horké potraviny nebo nápoje.
- Nepřepíňujte chladničku, abyste nebránili oběhu vzduchu uvnitř.
- Neinstalujte chladničku na přímé sluneční světlo nebo do blízkosti tepelných spotřebičů, jako je trouba, myčka nebo radiátor.
- Dávejte pozor, abyste nechávali potraviny v uzavřených nádobách.
- U výrobků s prostorem mrazničky; Maximální množství potravin v mrazničce můžete uskladnit, pokud vyjmete polici nebo zásuvku mrazničky. Hodnota spotřeby energie udaná pro vaši chladničku byla stanovena při vyjmuté polici nebo zásuvce mrazničky a při maximální náplni. Nehrozí riziko při používání police nebo zásuvky podle tvarů a rozměrů potravin, které chcete mrazit.
- Rozmrazování zmražených potravin v prostoru chladničky zajistí úsporu energie a zachová kvalitu potravin.

3 Instalace

⚠ Nezapomeňte, že výrobce neodpovídá za nedodržení informací uvedených v návodu k použití.

Body ke zvážení při přepravě chladničky

1. Chladničku je nutno vyprázdnit a vyčistit před jakoukoli přepravou.
2. Police, příslušenství, prostor pro čerstvé potraviny atd. v chladničku je nutno řádně upoutat lepicí páskou, aby nedocházelo k vibracím.
3. Obaly je nutno upevnit silnými páskami a lany a je nutno dodržovat pravidla pro přepravu vytištěná na obalu.

Nezapomeňte...

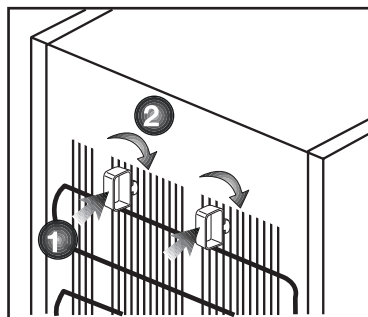
Každý recyklovaný materiál je nezbytný zdroj pro přírodu a naše národní zdroje.

Pokud chcete přispět k recyklaci obalových materiálů, další informace získáte od orgánů ochrany životního prostředí nebo místních úřadů.

Než chladničku zapnete

Než začnete používat chladničku, zkontrolujte následující:

1. Je vnitřek chladničky suchý a může za ní volně obíhat vzduch?
2. Oba plastové klínky nainstalujte podle obrázku. Plastové klínky zajistí potřebnou vzdálenost mezi vaší chladničkou a zdí, aby se zajistilo proudění vzduchu. (Uvedený obrázek je jen příklad a neshoduje se přesně s vaším výrobkem.)



3. Vyčistěte vnitřek chladničky podle kapitoly „Údržba a čištění“.
4. Zapojte chladničku do sítě. Po otevření dvířek se rozsvítí vnitřní osvětlení prostoru chladničky.
5. Uslyšíte hluk při startování kompresoru. Kapalina a plyn v chladicí soustavě mohou také vydávat zvuky, i když kompresor neběží, což je poměrně normální.
6. Přední kraje chladničky mohou být teplé. Je to zcela normální. Tyto oblasti mají být teplé, aby nedocházelo ke kondenzaci.

Zapojení do sítě

Připojte výrobek k uzemněné zásuvce, která je chráněna pojistkou vhodné kapacity.

Důležité:

- Spojení musí být v souladu s národními předpisy.
- Napájecí kabel musí být po instalaci snadno dostupný.
- Specifikované napětí musí být rovné napětí v síti.
- K připojení nepoužívejte prodlužovací kabely a vícecestné zásuvky.

- ⚠ Poškozený napájecí kabel musí vyměnit kvalifikovaný elektrikář.
- ⚠ Výrobek nesmíte používat, dokud není opraven! Hrozí riziko zásahu elektrickým proudem!

Likvidace obalu

Obalové materiály mohou být pro děti nebezpečné. Udržujte materiály mimo dosah dětí nebo je zlikvidujte v souladu s pokyny zpracování odpadů. Nelikvidujte je s běžným domovním odpadem.

Balení chladničky je z recyklovatelných materiálů.

Likvidace vaší staré chladničky

Starou chladničku zlikvidujte tak, abyste neohrozili životní prostředí

- Informace o likvidaci chladničky získáte u autorizovaného prodejce nebo odpadového odboru vašeho města.

Před likvidací vaší chladničky odřízněte zástrčku a v případě, že jsou na dveřích zámky, zneškodněte je, aby nedošlo k ohrožení dětí.

Umístění a instalace

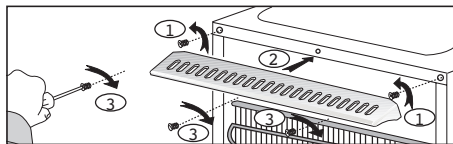
⚠ Pokud nejsou vstupní dveře do místnosti, v níž chladničku nainstalujete, dostatečně široké, aby chladnička prošla, kontaktujte autorizovaný servis a nechte sejmut dveře chladničky a protáhněte je bokem.

1. Chladničku umístěte na místo, které umožňuje snadnou obsluhu.
2. Chladničku umístěte mimo zdroje tepla, vlhka a přímé světlo.

3. Kolem chladničky musí být dostatečný prostor pro ventilaci, aby se zajistila účinnost provozu. Pokud máte chladničku umístit do výklenku, musí být nejméně 5 cm od stropu a 5 cm od stěn. Pokud je na podlaze koberec, musíte zvednout produkt o 2,5 cm nad zem.

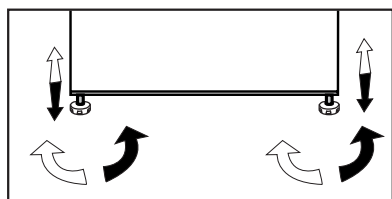
4. Umístěte chladničku na rovnou podlahu, aby nedocházelo ke kymácení.

Ujistěte se, že kolem spotřebiče je dostatečný odstup tak, aby se zaručil volný oběh vzduchu.



Nastavování nožek

Pokud je vaše chladnička nevyvážená; Chladničku vyrovnáte tak, že otáčíte předními nožkami podle obrázku. Roh, kde jsou umístěny nožky, se sníží, když otáčíte ve směru černé šipky, zvedne se, když otáčíte opačným směrem. Pokud vám někdo pomůže nadzvednout chladničku, proces se usnadní.



Výměna žárovky

Za účelem výměny žárovky osvětlení v chladničce prosím kontaktujte Autorizovaný servis.

Lampa (y) použité v tomto přístroji nejsou vhodné pro osvětlení místnosti domácnosti. Zamýšlený účel tohoto svítidla je pomocí uživateli umístit potraviny do chladničky / mrazničky bezpečně a pohodlně.

Žárovky použité v tomto spotřebiči musí vydržet extrémní fyzické podmínky, např. teploty pod -20 °C.

Instalace (pod linku)

- Vnitřní výška linky by měla být 820 mm.

(!) Sporáky a jiné zdroje tepla se nesmějí umísťovat nad linku, kde je spotřebič instalován pod linku.

- Napájecí zásuvka musí být blízko napravo nebo nalevo od spotřebiče.

- Demontujte horní kryt spotřebiče. Je nutno odšroubovat 4 šrouby (2 vzadu, 2 pod předním okrajem).

Obr. 1

- Odřízněte část uvedenou na obrázku a pak ji odstraňte pomocí kleští.

- Umístěte spotřebič pod linku a upravte přední nožky, až se horní okraj dotýká linky.

Abyste mohli spotřebič používat pod linkou, musí být vzdálenost mezi stěnou a referencí uvedenou v horním připojovacím plastu nejméně 595 mm.

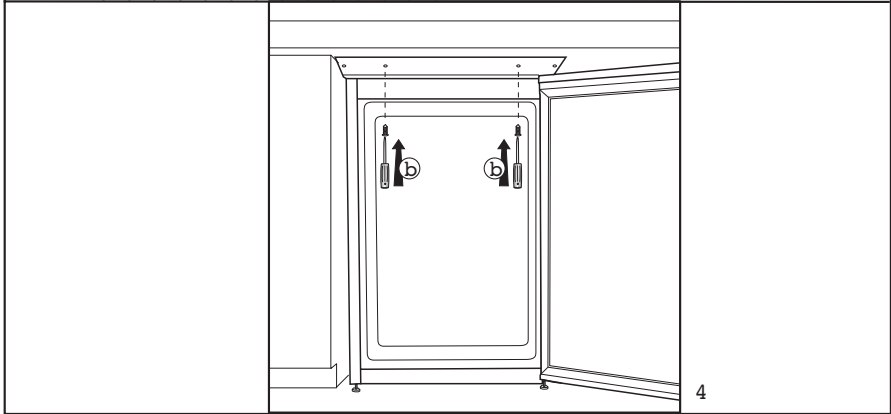
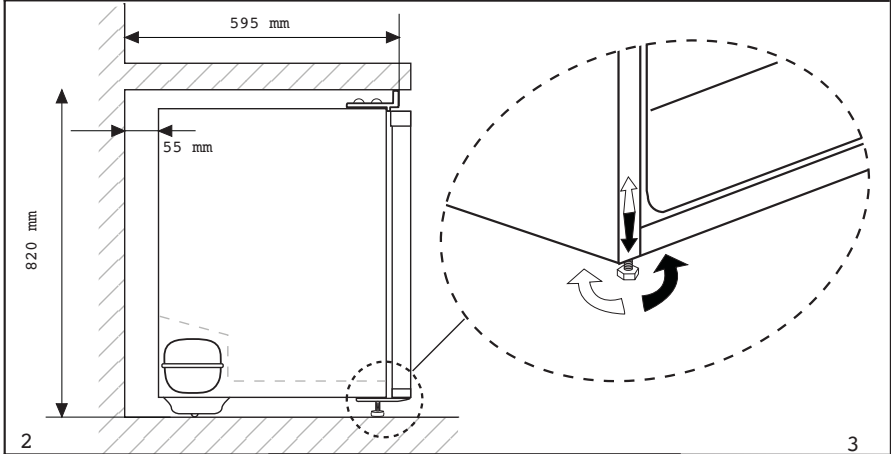
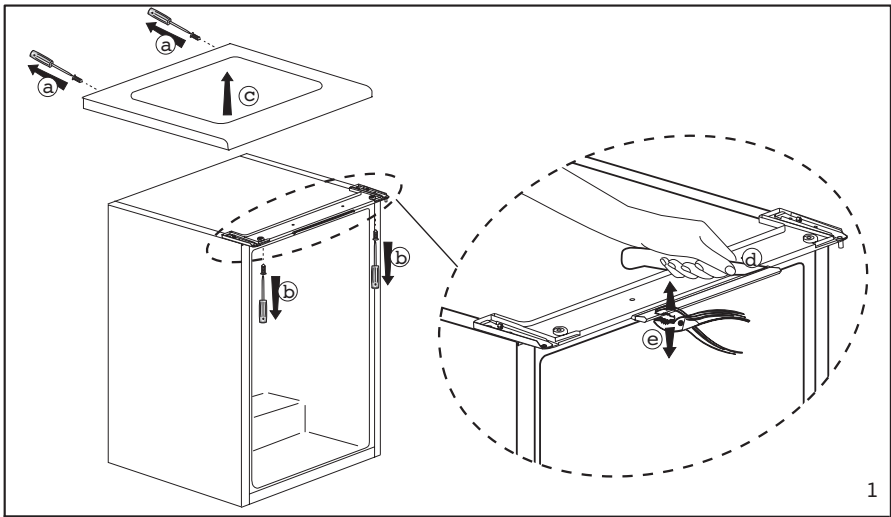
Obr. 2-3

- Upevněte spotřebič pod linku pomocí 2 ze šroubů, které jste demontovali z horního krytu. (Materiál linky musí být na bázi plastu nebo dřeva!)

Obr. 4

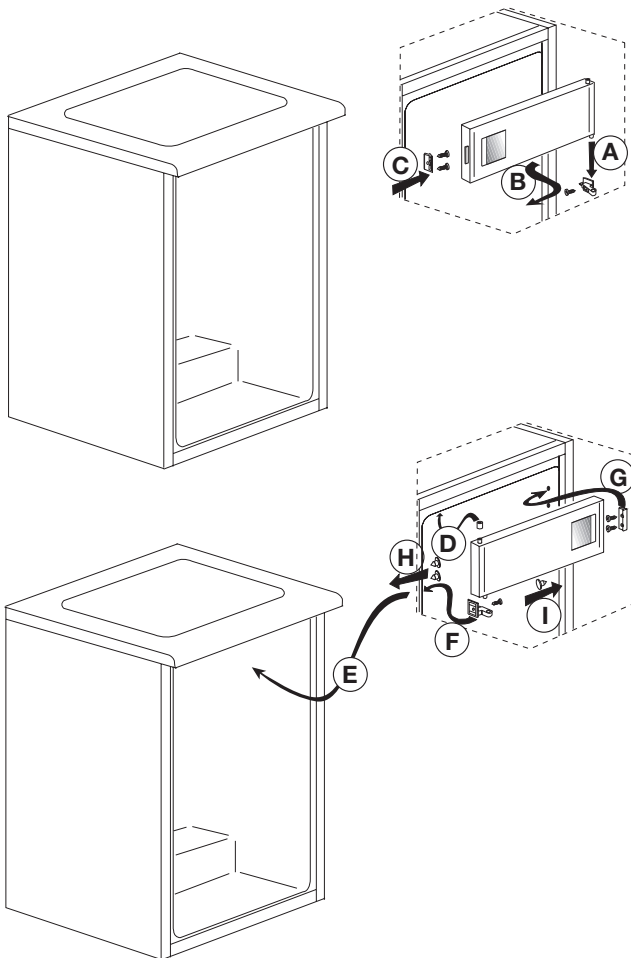
4 Příprava

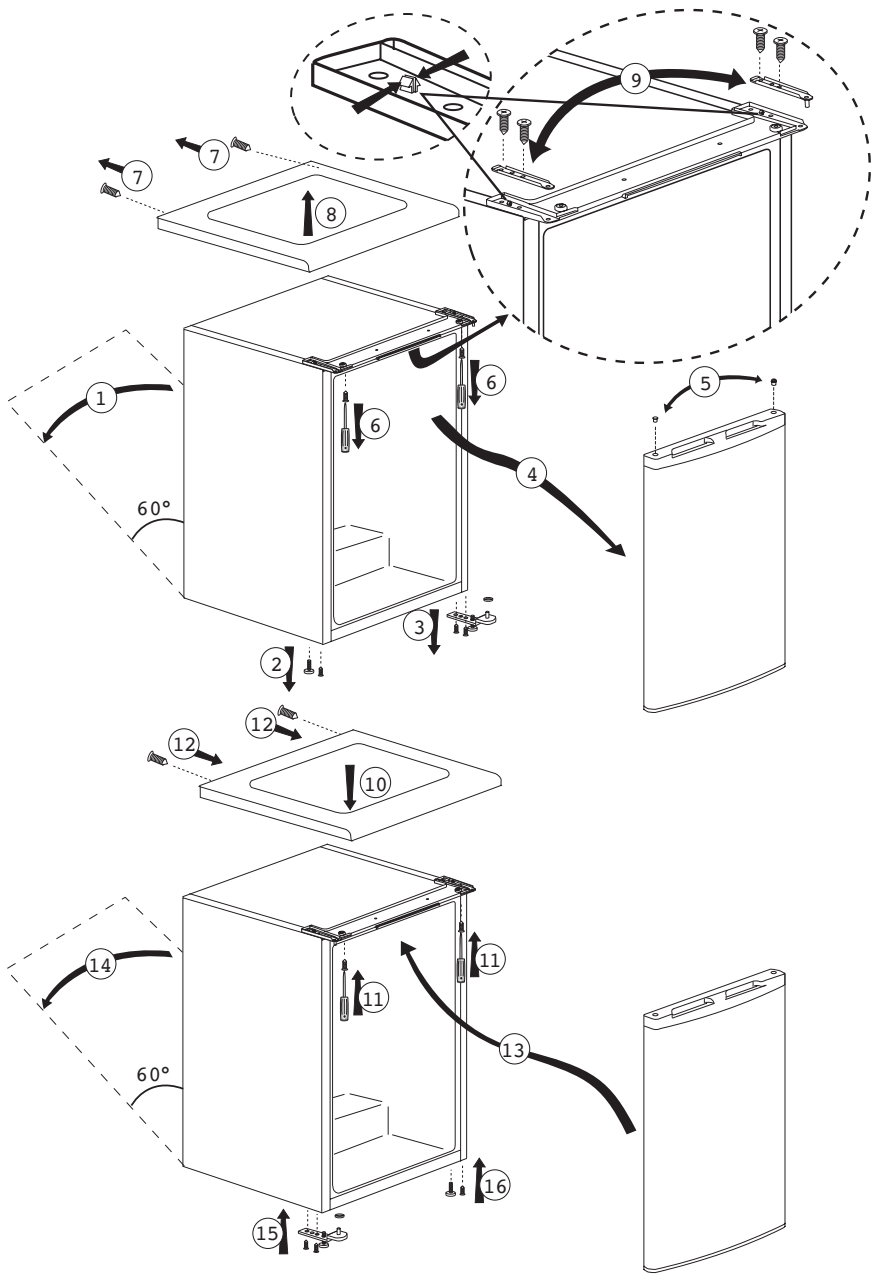
- Chladničku instalujte nejméně 30 cm od zdrojů tepla, jako jsou varné desky, trouby, ústřední topení a sporáky a nejméně 5 cm od elektrických trub, neumísťujte ji na přímé sluneční světlo.
- Teplota prostředí v místnosti, kde instalujete chladničku, by měla být nejméně 10°C. Používání chladničky za chladnějších podmínek se nedoporučuje vzhledem k její účinnosti.
- Zajistěte, aby byl vnitřek vaší chladničky důkladně vyčištěn.
- Pokud vedle sebe instalujete dvě chladničky, měl by mezi nimi být rozestup nejméně 2 cm.
- Když spustíte chladničku poprvé, dodržujte následující pokyny během prvních šesti hodin.
- Dveře neotevírejte často.
- Musí běžet prázdná bez vkládání potravin.
- Neodpojujte chladničku. Pokud dojde k výpadku energie, prostudujte si varování v kapitole "Doporučená řešení problémů".
- Vždy používejte koše/zásuvky poskytované s chladicím prostorem v zájmu nízké spotřeby energie a lepších podmínek skladování.
- Styk potravin s čidlem teploty v mrazničce může zvýšit spotřebu energie zařízení. Zabraňte tedy jakémukoliv kontaktu s čidlem (čidly).
- Původní obaly a pěnové materiály uschovejte pro budoucí přepravu či přesun.
- U některých modelů se přístrojová deska automaticky vypne po 5 minutách po tom, jak byly dveře uzavřeny. Opět se aktivuje, když se dveře otevřou nebo po stisknutí libovolné klávesy.
- Vzhledem ke změně teploty v důsledku otevření/zavření dveří během provozu je běžné, že se na dveřích/poličkách a skleněných nádobách objeví kondenzace.



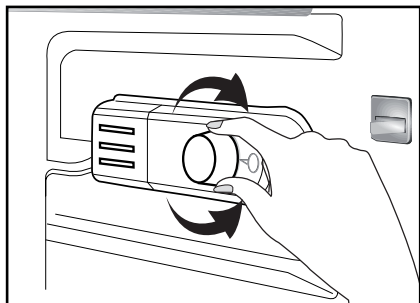
Změna dvířek

Postupujte podle pořadí

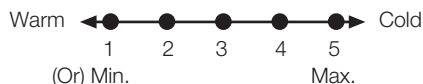




5 Používání chladničky



Provozní teplotu lze regulovat ovladačem teploty.



1 = Nejnižší nastavení chlazení (Nejteplejší)

5 = Nejvyšší nastavení chlazení (Nejchladnější)

(nebo)

Min. = Nejnižší nastavení chlazení (Nejteplejší stupeň)

Max. = Nejvyšší nastavení chlazení (Nejchladnější stupeň)

Průměrná teplota uvnitř chladničky by měla být kolem +5°C.

Zvolte nastavení podle požadované teploty.

Provoz spotřebiče můžete zastavit otočením tlačítka termostatu do pozice "0".

Povšimněte si, že v chladicím prostoru bude různá teplota.

Nejchladnější místo je hned nad prostorem na zeleninu.

Vnitřní teplota také závisí na teplotě prostředí, frekvenci otvírání dveří a množství jídla uvnitř.

Častým otevíráním dveří teplota uvnitř stoupne.

Z tohoto důvodu doporučujeme zavřít dvířka co nejrychleji po použití.

Mražení

Mražení potravin

Mrazicí prostor je označen symbolem

Spotřebič lze použít pro mražení čerstvých potravin i pro skladování předmražených potravin.

Dodržujte pokyny uvedené na obalu potravin.

• Pozor

Nezmrazujte perlivé nápoje, protože láhev může explodovat po zmrznutí kapaliny v ní.

Dávejte pozor na zmražené produkty, jako jsou barevné ledové kostky.

Nepřekračujte mrazicí kapacitu vašeho spotřebiče na 24 hodin. Viz štítek s parametry.

Aby se zachovala kvalita potravin, je třeba provést zmražení co nejrychleji.

Mrazicí kapacita tak nebude překročena a teplota uvnitř mrazničky nestoupne.

• Pozor

Udržujte již zmražené potraviny vždy mimo čerstvě umístěné potraviny.


Při hloubkovém mražení horkých potravin bude chladicí kompresor v probuzení až do úplného zmražení potravin. Může tím dojít k dočasnému přílišnému zchlazení chladicího prostoru.

Pokud máte pocit, že dvířka mrazničky jdou těžko otevřít poté, co jste je právě zavřeli, nebojte se. Je to zaviněno rozdílem tlaku, který se ustálí a dvířka půjdou po pár minutách normálně otevřít.

Hned po zavření dvířek uslyšíte zvuk typický pro vakuum. Je to zcela normální.

Tvorba ledových kostek

Skladování zmražených potravin

Mrazicí prostor je označen symbolem .

Prostor pro zmražené potraviny je vhodný pro skladování předmražených potravin. Doporučení pro skladování dle informací na obalu potravin by měly být vždy dodržovány.

Odmrazování spotřebiče

Přílišné množství ledu ovlivní mrazicí výkonnost vašeho spotřebiče.

Doporučujeme tedy odmrazovat váš spotřebič nejméně dvakrát ročně nebo vždy, když vrstva ledu přesáhne 7 mm.

Odmrazujte spotřebič jen tehdy, když je uvnitř jen málo potravin.


Vyjměte zmražené potraviny. Zabalte hluboce zmražené potraviny do několika vrstev papíru nebo látky a uskladněte na chladném místě.

Odpojte spotřebič nebo vypněte přerušovač obvodu pro zahájení procesu odmrazování.

Vyjměte příslušenství (police, zásuvky atd.) ze spotřebiče a vhodnou nádobou zachytávejte odmrazovanou vodu.

Houbičkou nebo měkkým hadříkem otřete v nutném případě odmraženou vodu do prostoru mrazničky



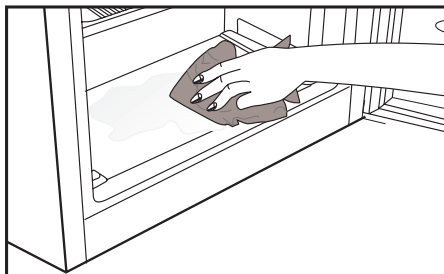
a prostoru pro mražené potraviny .

Během odmrazování mějte dvířka otevřená.

Pro rychlejší odmrazování umístěte do spotřebiče nádoby s teplou vodou.

Nikdy nepoužívejte na odstranění ledu elektrické přístroje, odmrazovací postřík nebo ostré či špičaté předměty, jako jsou nože nebo vidličky.

Po odmrazování vyčistěte interiér.



Zapojte spotřebič do sítě. Umístěte zmražené potraviny do zásuvek a zasuňte zásuvky do mrazničky.

Chlazení

Skladování potravin

Prostor chladničky je pro krátkodobé ukládání čerstvých potravin a nápojů.

Mléčné výrobky skladujte v příslušném prostoru chladničky.

Láhve lze skladovat v držáku na lahve nebo v polici na lahve ve dveřích.

Syrové maso nejlépe skladujte v polyetylenovém sáčku v prostoru úplně dole v chladničce.

Horké potraviny a nápoje nechte nejprve vychladnout na pokojovou teplotu, než je umístíte do chladničky.

• Pozor

Koncentrovaný alkohol skladujte v nádobě jen stojící svisle a pevně uzavřený.

• Pozor

Neskladujte výbušné látky nebo nádoby s hořlavými pohonnými plyny (šlehačka ve spreji atd.) uvnitř spotřebiče.

Hrozí riziko výbuchu.

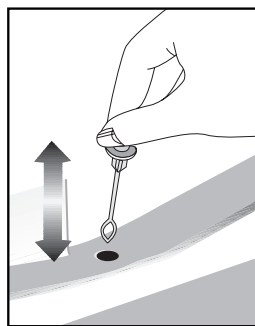
Odmrazování spotřebiče

Prostor chladničky se odmrazuje automaticky. Odmražená voda stéká do odčerpávacího kanálu přes sběrnou nádobu na zadní straně spotřebiče.

Během odmrazování se na zadní stěně chladničky tvoří kapky vlivem odpařování.

Pokud všechny kapky nestečou dolů, mohou po konci odmrazování znovu zmraznout. Otřete je měkkým hadříkem namočeným ve vlažné vodě. Nepoužívejte tvrdé nebo ostré předměty.

Čas od času zkontrolujte tok odmražené vody. Mohlo by dojít k jeho zablokování. Vyčistěte čističem na trubice nebo podobným nástrojem.



6 Údržba a čištění

- ⚠ Nikdy na čištění nepoužívejte benzín, technický benzín a podobné materiály.
- ⚠ Doporučujeme odpojit přístroj od sítě, než jej začnete čistit.
- ⚠ Nikdy nepoužívejte brusné nástroje, mýdlo, domovní čistič, odmašťovač či voskové čisticidlo.
- ⚠ U produktů, které nejsou No Frost, se mohou na zadní stěně chladničky objevit kapky vody a námraza na tloušťku prstu. Nečistěte; nikdy nepoužívejte olej nebo podobné prostředky.
- ⚠ Pro čištění vnějšího povrchu produktu používejte pouze mírně navlhčené utěrky z mikrovláken. Houbičky a jiné typy čisticích ubrousků mohou poškrábat povrch.
- ℹ Používejte vlažnou vodu pro vyčištění skříně a otřete ji pak dosucha.
- ℹ Používejte vlhký hadřík namočený do roztoku jedné čajové lžičky sody bikarbony na půl litru vody na vyčištění vnitřku, pak jej dosucha otřete.
- ⚠ Zajistěte, aby do krytu světla a jiných elektrických prvků nepronikla voda.
- ⚠ Pokud chladničku delší dobu nebudete používat, odpojte napájecí kabel, vyjměte všechny potraviny, vyčistěte jej a nechte dveře otevřené.
- ℹ Pravidelně kontrolujte těsnění dvířek, abyste zajistili jejich čistotu a nezanesení částěčkami potravin.

⚠ Pro odstranění polic ve dveřích odstraňte všechny obsah a pak jen zvedněte dveřní polici vzhůru ze základny.

⚠ K čištění vnějších povrchů a chromem potažených součástí produktu nikdy nepoužívejte čisticí prostředky nebo vodu, která obsahuje chlór. Chlór způsobuje korozi takových kovových povrchů.

⚠ Nikdy nepoužívejte ostré a drsné nástroje nebo mýdlo, domácí čisticí prostředky, čisticí prostředky, benzín, benzen, vosk, atd., v opačném případě se na plastových dílech objeví skvrny a dojde k jejich deformaci. K čištění použijte teplou vodu a měkký hadřík a otřete je do sucha

Ochrana plastových ploch

ℹ Nevkládejte tekuté oleje nebo pokrmy s obsahem oleje do chladničky v neuzavřených nádobách, jelikož poškodí plastovou plochu vaší chladničky. V případě rozlití nebo rozetření oleje na plastové ploše vyčistěte a opláchněte příslušnou část plochy teplou vodou.

7. Doporučená řešení problémů

Než zavoláte do servisu, projděte si tento seznam. Možná vám ušetří čas a peníze. Tento seznam obsahuje časté stížnosti, které nejsou způsobeny vadným zpracováním či použitými materiály. Některé zde uvedené funkce nemusejí být přítomny na vašem výrobku.

Chladnička nefunguje.

- Je chladnička řádně zapojena? Zasuňte zástrčku do sítě.
- Není vypálena pojistka zástrčky, do níž je chladnička zapojena, nebo hlavní pojistka? Zkontrolujte pojistku.

Kondenzace na boční stěně prostoru chladničky (MULTIZONE, COOL CONTROL a FLEXI ZONE).

- Velmi nízká teplota prostředí. Časté otevírání a zavírání dveří. Vysoká vlhkost v prostředí. Skladování potravin s obsahem kapalin v otevřených nádobách. Nechání otevřených dveří. Přepnutí termostatu na nižší teplotu.
- Snížení času otevřených dveří nebo méně časté použití.
- Zakrytí potravin v otevřených nádobách vhodným materiálem.
- Otřete kondenzaci suchým hadrem a ověřte, zda je stále přítomna.

Kompresor neběží

- Tepelná pojistka kompresoru se zapne během náhlého výpadku energie nebo odpojení a zapojení, jelikož tlak chladicího média v chladicí soustavě chladničky není dosud vyvážen. Vaše chladnička začne fungovat asi po 6 minutách. Kontaktujte servis, pokud se chladnička nespustí na konci této doby.
- Chladnička je v režimu odmrazování. Toto je normální pro chladničku s plně automatickým odmrazováním. Cyklus odmražení probíhá pravidelně.
- Chladnička není zapojena do zásuvky. Ověřte, zda je zástrčka řádně zasunuta do zásuvky.
- Je správně nastavena teplota?
- Možná je odpojeno napájení.

Chladnička často běží nebo běží dlouhodobě.

- Nový výrobek může být širší než předchodí. Je to zcela normální. Četší chladničky fungují delší dobu.
- Okolní teplota v místnosti je možná vysoká. Je to zcela normální.
- Chladnička možná byla nedávno zapojena nebo byla naplněna potravinami. Ochlazování chladničky může trvat o pár hodin déle.
- V nedávné době jste do chladničky vložili velké množství teplých pokrmů. Horké pokrmy způsobují delší fungování chladničky až do dosažení bezpečné teploty pro uchování.
- Dveře se mohly otevřít častěji nebo byly ponechány dlouhou dobu otevřené. Teplý vzduch, který pronikl do chladničky, způsobil dlouhodobější chod chladničky. Otevírejte dveře méně často.
- Mraznička nebo dveře chladničky zůstaly dokořán. Zkontrolujte, zda jsou dveře pevně zavřeny.
- Chladnička je nastavena na velmi nízkou teplotu. Upravte teplotu chladničky na vyšší hodnotu a počkejte na dosažení této teploty.
- Těsnění dveří chladničky nebo mrazničky může být ušpiněno, opotřebené, prasklé nebo nesprávně usazené. Vyčistěte nebo vyměňte těsnění. Poškození/prasklé těsnění způsobuje dlouhodobý chod chladničky pro udržení správné teploty.

Teplota mrazničky je velmi nízká, zatímco teplota v chladničce je dostatečná.

- Teplota mrazničky je nastavena na velmi nízkou teplotu. Upravte teplotu mrazničky na vyšší hodnotu a zkontrolujte ji.

Teplota chladničky je velmi nízká, zatímco teplota v mrazničce je dostatečná.

- Teplota chladničky může být nastavena na velmi nízkou teplotu. Upravte teplotu chladničky na vyšší hodnotu a zkontrolujte ji.

Jídlo v chladničce začíná mrznout.

- Teplota chladničky může být nastavena na velmi nízkou teplotu. Upravte teplotu chladničky na vyšší hodnotu a zkontrolujte ji.

Teplota v mrazničce nebo chladničce je velmi vysoká.

- Teplota chladničky může být nastavena na velmi vysokou teplotu. Nastavení chladničky má vliv na teplotu v mrazničce. Změňte teplotu chladničky nebo mrazničky, dokud teplota v chladničce nebo mrazničce nedosáhne dostatečnou hodnotu.
- Dveře se mohly otevřít častěji nebo byly ponechány dlouhou dobu otevřené; otevírejte je méně často.
- Možná jste nechali nedovřená dvířka; zavírejte je úplně.
- V nedávné době jste do chladničky vložili velké množství teplých pokrmů. Počkejte, až chladnička nebo mraznička dosáhne požadované teploty.
- Chladnička byla nedávno zapojena. Úplné ochlazení chladničky trvá nějakou dobu.

Provozní hluk se zvyšuje, když je chladnička zapnutá.

<ul style="list-style-type: none"> • Provozní vlastnosti chladničky se mohou změnit podle výkyvů okolní teploty. Je to normální, nejde o poruchu. 	<ul style="list-style-type: none"> • Chladničku je nutno vyčistit uvnitř. Vyčistěte vnitřek chladničky houbičkou, vlažnou vodou nebo karbonovou vodou.
<p>Vibrace nebo hluk.</p>	<ul style="list-style-type: none"> • Některé nádoby či obalové materiály mohou způsobit zápach. Použijte odlišnou nádobu nebo obalový materiál jiné značky.
<ul style="list-style-type: none"> • Podlaha není rovná nebo je slabá. Chladnička se při pohybu kymácí. Ověřte, zda je podlaha dostatečně pevná pro chladničku a zda je rovná. • Hluk mohou způsobovat předměty vkládané na chladničku. Předměty na horní straně chladničky sejměte. 	<p>Dvířka se nezavírají.</p>
<p>Ozývá se zvuk z chladničky jako rozlévání kapaliny nebo stříkání.</p>	<ul style="list-style-type: none"> • Zabalené potraviny mohou bránit v zavírání dveří. Vyměňte obaly, které brání v chodu dveří. • Chladnička nestojí zcela svisle na podlaze a při pohybu se mírně pohupuje. Upravte seřizovací šrouby. • Podlaha není rovná či silná. Ověřte, zda je podlaha rovná a unese chladničku.
<ul style="list-style-type: none"> • Proudění kapaliny a plynu se může objevit v souladu s provozními zásadami vaší chladničky. Je to normální, nejde o poruchu. 	<p>Příhrádky na čerstvé potraviny jsou zaseklé.</p>
<p>Ozývá se hluk jako kvílení větru.</p>	<ul style="list-style-type: none"> • Potraviny se možná dotýkají horní strany zásuvek. Upravte rozložení potravin v zásuvce.
<ul style="list-style-type: none"> • Jsou v provozu ventilátory pro ochlazení chladničky. Je to normální, nejde o poruchu. 	<p>Pokud je Povrch Produktu Horký</p>
<p>Kondenzace na vnitřních stěnách chladničky.</p>	<ul style="list-style-type: none"> • Když je zařízení v provozu, lze pozorovat vysoké teploty mezi dvěma dvířky, na postranních panelech a na zadním grilu. To je běžné a není to důvod pro servisní údržbu! Při kontaktu s těmito plochami buďte opatrní.
<ul style="list-style-type: none"> • Horké a vlhké počasí zvyšuje tvorbu ledu a kondenzace. Je to normální, nejde o poruchu. • Možná zůstala nedovřená dvířka; zajistěte úplné uzavření dveří. • Dveře se mohly otevřít častěji nebo byly ponechány dlouhou dobu otevřené; otevírejte je méně často. 	
<p>Vlhkost na vnější straně chladničky nebo mezi dveřmi.</p>	
<ul style="list-style-type: none"> • Ve vzduchu může být vlhkost; toto je ve vlhkém počasí poměrně normální. Po poklesu vlhkosti kondenzace zmizí. 	
<p>Nepříjemný zápach v chladničce.</p>	

Prosím, prečítajte si najskôr túto príručku!

Vážený zákazník,

Dúfame, že váš produkt, ktorý bol vyrobený v moderných továrňach a skontrolovaný v rámci prepracovaných postupov riadenia kvality, vám bude úspešne a efektívne slúžiť.

Preto vám odporúčame, aby ste si pozorne prečítali celú túto príručku k vášmu produktu predtým, ako ho začnete používať, a ponechajte si ju poruke, aby ste si ju v prípade potreby mohli prezerať.

Tento manuál

- Vám pomôže používať váš prístroj rýchle a bezpečne.
- Manuál si prečítajte pred inštaláciou a prevádzkou vášho produktu.
- Dodržiavajte pokyny, obzvlášť tie, ktoré sa týkajú bezpečnosti.
- Manuál si uschovajte na ľahko prístupnom mieste, pretože ho môžete neskôr potrebovať.
- Okrem toho si prečítajte aj ostatné dokumenty dodané s vaším produktom.
- Majte na pamäti, že tento manuál platí aj pre iné modely.

Symbody a ich popis

Tento návod na obsluhu obsahuje nasledovné symbody:

 Dôležité informácie alebo užitočné tipy.

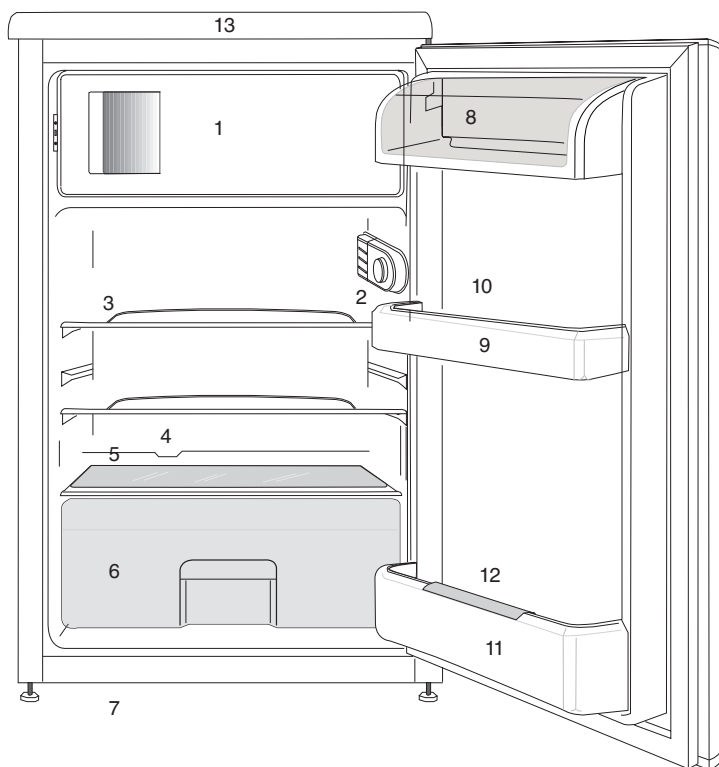
 Výstraha pred ohrozením života a majetku.

 Výstraha pred elektrickým napätím.

OBSAH

1 Vaša chladnička	4	4 Príprava	14
2 Dôležité bezpečnostné výstrahy	5	Obrátenie dverí.....	16
Určené použitie.....	5	5 Používanie chladničky	18
Pri výrobkoch s dávkovačom vody.....	8	Mrazenie.....	18
Bezpečnosť detí.....	9	Tvorba kociek ľadu.....	19
V súlade so smernicou o odpadoch z elektrických a elektronických zariadení a zneškodňovaní odpadov:.....	9	Skladovanie mrazených potravín.....	19
V súlade s Obmedzením používania niektorých nebezpečných látok v elektronických a elektrických zariadeniach.....	9	Rozmrazovanie spotrebiča.....	19
Informácie o balení.....	9	Chladenie.....	20
Upozornenie HC.....	9	Uskladnenie potravín.....	20
Veci, ktoré treba urobiť pre úsporu energie.....	10	Rozmrazovanie spotrebiča.....	20
3 Inštalácia	11	6 Údržba a čistenie	21
Body, ktoré je potrebné zvažovať pri opakovanej preprave chladničky.....	11	Ochrana plastových povrchov.....	21
Pred uvedením chladničky do prevádzky.....	11	7 Odporúčané riešenia problémov	22
Elektrické pripojenie.....	12		
Likvidácia obalu.....	12		
Likvidácia vašej starej chladničky.....	12		
Umiestnenie a inštalácia.....	12		
Nastavenie nôh.....	13		
Výmena lampy osvetlenia.....	13		
Montáž (Pod pultom).....	13		

1 Vaša chladnička



1. a.) Mraziaci priečinok a priečinok na ľad (pre modely *******)
b.) Priečinok pre mrazené potraviny a priečinok na ľad (pre modely ******)

2. Vnútročné osvetlenie a gombík termostatu

3. Posuvné poličky

4. Kanálik pre zber rozmrazenej vody - odtoková rúrka

5. Kryt priehradky na ovocie

6. Priehradka

7. Nastaviteľné predné nôžky

8. Priehradka pre mliečne výrobky

9. Poličky na dverách

10. Držiak na vajíčka

11. Polička na fľaše

12. Zachytávací prvok pre fľašky

13. Horný zachytávací prvok





i Obrázky v tejto príručke k obsluhu sú schematické a nemusia sa presne zhodovať s vaším produktom. Ak produkt, ktorý ste si zakúpili, nedisponuje uvádzanými časťami, potom sa to týka iných modelov.

2 Dôležité bezpečnostné výstrahy

Prečítajte si nasledujúce informácie. Nedodržiavanie týchto informácií môže mať za následok zranenia alebo vecné škody. Všetky záručné záväzky tým strácajú platnosť.

Originálne náhradné súčiastky budú dodávané po dobu 10 rokov od kúpy výrobku.

Určené použitie

	UPOZORNENIE: Udržujte vetracie otvory na kryte prístroja alebo v konštrukcii zabudovania bez prekážok.
	UPOZORNENIE: Nepoužívajte mechanické nástroje alebo iné prostriedky na urýchlenie procesu odmrazenia, okrem tých, ktoré odporúča výrobca.
	UPOZORNENIE: Nepoškodzujte chladiaci okruh.
	UPOZORNENIE: Nepoužívajte elektrické spotrebiče vo vnútri priestoru na potraviny, iba ak sú doporučené výrobcom.

Toto zariadenie je určené pre použitie v domácnosti a v podobných podmienkach, ako sú napríklad

- Kuchynské miestnosti pre personál v obchodoch, kanceláriách a v iných pracovných prostrediach;
- farmárske domy a klienti v hoteloch, motelloch a iných typoch bytových zariadení;
- v ubytovacích zariadeniach typu bed and breakfast;
- stravovacie a podobné zariadenia neobchodného typu.

Všeobecná bezpečnosť

- Ak chcete vyradiť/zlikvidovať tento produkt, odporúčame vám poradiť sa s autorizovaným servisom, aby ste získali potrebné informácie o autorizovaných orgánoch zriadených na tento účel.
- Obráťte sa na autorizovaný servis so všetkými otázkami a problémami s vašou chladničkou. Nezasahujte ani nenechajte iných zasahovať do chladničky bez upozornenia autorizovaného servisu.
- Pri výrobkoch s mraziacim priečinkom nejedzte zmrzlinu v kornútoch a kocky ľadu ihneď po ich vybratí z mraziaceho priečinka! (Môžete si tým spôsobiť nepríjemný mrazivý pocit v ústach.)
- Pri výrobkoch s mraziacim priečinkom nedávajte do mraziaceho priečinka tekuté nápoje vo fľašiach a

plechovkách. V opačnom prípade by mohli prasknúť.

- Mrazeného jedla sa nedotýkajte rukami; mohlo by sa k ruke prilepiť.
- Pred čistením alebo rozmrazovaním chladničku odpojte.
- Para a parové čistiace prostriedky by sa nikdy nemali používať pri čistení a odmrazovaní vašej chladničky. V takýchto prípadoch by sa para mohla dostať do kontaktu s elektrickými dielmi a spôsobiť skrat alebo zásah elektrickým prúdom.
- Nikdy nepoužívajte rôzne časti, ako napr. dvere, ako podpery alebo schodíky.
- Vo vnútri vašej chladničky nepoužívajte elektrické zariadenia.
- Časti, v ktorých cirkuluje chladivo, nepoškodzujte nástrojmi na vrátenie alebo rezanie. V prípade perforácie plynových kanálov výparníka, trubkových rozšírení alebo povrchových úprav, spôsobuje rozliaty chladiaci prostriedok podráždenie pokožky a zranenia očí.
- Neprekrývajte ani neblokujte ventilačné otvory na chladničke žiadnymi materiálmi.
- Elektrické spotrebiče musia opravovať len oprávnené osoby. Opravy vykonávané nekompetentnými osobami

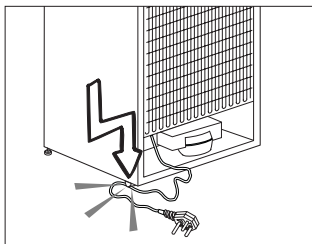
predstavujú riziko pre používateľa.

- V prípade zlyhania alebo počas údržby alebo opráv odpojte chladničku od elektrického rozvodu buď vypnutím príslušnej poistky alebo odpojením spotrebiča od siete.
- Pri odpájaní zásuvky neťahajte za kábel, ale potiahnite zásuvku.
- Uistite sa, že nápoje s vysokým obsahom alkoholu sú bezpečne uzavreté a umiestnené kolmo .
- V chladničke neskladujte spreje s rozprašovačom, ktoré obsahujú horľavé alebo výbušné látky.
- Nepoužívajte mechanické prístroje alebo iné prostriedky na urýchľovanie rozmrazovacieho procesu iné ako tie, ktoré odporúča výrobca.
- Tento produkt nie je určený na používanie osobami s fyzickými, zmyslovými alebo duševnými poruchami alebo nepoučenými alebo neskúsenými osobami (vrátane detí), pokiaľ pri nich nie je osoba, ktorá je zodpovedná za ich bezpečnosť, alebo ktorá ich riadne poučí o používaní produktu
- Neuvádzajte do prevádzky poškodenú chladničku. Ak máte akékoľvek pochybnosti, obráťte sa na servisného zástupcu.

- Elektrická bezpečnosť vašej chladničky je zaručená len vtedy, keď je váš uzemňovací systém v zhode s týmito štandardmi.
- Vystavenie produktu pôsobeniu dažďa, snehu, slnka a vetra je nebezpečné z pohľadu elektrickej bezpečnosti.
- Pri poškodení elektrického kábla kontaktujte autorizovaný servis, aby ste zabránili ohrozeniu.
- Počas inštalácie nikdy chladničku nepripájajte do elektrickej zásuvky. V opačnom prípade vznikne riziko usmrtienia alebo vážneho zranenia.
- Táto chladnička je určená len na skladovanie potravín. Nepoužívajte ju na žiadne iné účely.
- Štítok s technickými údajmi sa nachádza na ľavej stene vo vnútri chladničky.
- Chladničku nezapájajte do elektronických systémov na úsporu energie, pretože ju môžu poškodiť.
- Ak na chladničke svieti modré svetielko, nepozerajte sa do neho voľným okom alebo optickými nástrojmi po dlhšiu dobu.
- Manuálne riadené chladničky zapínajte po výpadku prúdu s odstupom najmenej 5 minút.
- Pri odovzdaní produktu inej osobe odovzdajte túto

príručku k obsluhu novému vlastníkovi.

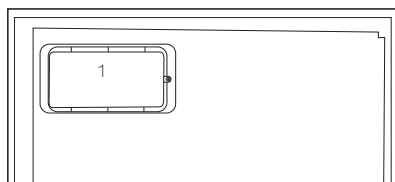
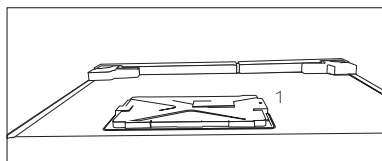
- Zabráňte poškodeniu elektrického kábla pri preprave chladničky. Prehýbanie kábla môže spôsobiť požiar. Na napájací kábel nedávajte ťažké predmety. Pri zapájaní produktu sa zástrčky nedotýkajte mokrými rukami.



- Chladničku nezapájajte, ak je zásuvka na stene uvoľnená.
- Z bezpečnostných dôvodov nestriekajte vodu priamo na vnútorné alebo vonkajšie časti produktu.
- Z dôvodu rizika požiaru a výbuchu nerozstrekujte v blízkosti chladničky horľavé materiály, ako napríklad propánový plyn a pod.
- Na chladničku neumiestňujte nádoby naplnené vodou, pretože môžu spôsobiť zásah elektrickým prúdom alebo požiar.
- Nepreťažujte chladničku nadmernými množstvami potravín. Ak je preťažená, potraviny môžu spadnúť a spôsobiť vám zranenie a poškodiť chladničku, keď otvoríte dvere. Na chladničku nikdy nedávajte predmety,

pretože môžu spadnúť, keď otvoríte alebo zatvoríte dvere chladničky.

- V chladničke neuchovávajte vakcíny, lieky citlivé na teplo, vedecké materiály a pod., ktoré si vyžadujú presnú teplotu.
- Ak sa chladnička nebude dlhší čas používať, treba ju odpojiť zo siete. Možný problém s napájacím káblom môže spôsobiť požiar.
- Keď nastaviteľné nožičky nie sú umiestnené pevne na podlahe, môže dôjsť k posunu chladničky. Správnym upevnením nastaviteľných nožičiek na podlahe možno zabrániť posúvaniu chladničky.
- Pri prenášaní chladničky ju nedržte za rukoväť na dverách. V opačnom prípade môže prasknúť.
- Ak musíte umiestniť produkt vedľa inej chladničky alebo mrazničky, vzdialenosť medzi nimi musí byť najmenej 8 cm. Inak môžu prilahlé steny strán navlhnúť.
- Nikdy nepoužívajte výrobok, ak časť nachádzajúca sa na hornej alebo zadnej strane výrobku s elektronickou doskou s plošným spojov vo vnútri je otvorená (krycia doska elektronických plošných spojov) (1).



Pri výrobkoch s dávkovačom vody

- Tlak pre prívod studenej vody musí byť maximálne 90 psi (620 kPa). Ak je váš tlak vody vyšší ako 80 psi (550 kPa), použite vo vašej sieti ventil na obmedzovanie tlaku. Ak neviete, ako skontrolovať tlak vody, požiadajte o pomoc profesionálneho inštalátora.
- Ak pri inštalácii existuje riziko vodného rázu, vždy použite preventívne zariadenia proti vodnému rázu. Ak ste si nie je istý, či vo Vašej sieti je efekt vodného rázu, poraďte sa s profesionálnym inštalátorom.
- Neinštalujte na prívode pre teplú vodu. Vykonajte nevyhnutné opatrenia proti riziku zamrznutia hadíc. Prevádzkový interval teplota vody musí byť medzi minimálne 33 °F (0,6 °C) a maximálne 100 °F (38 °C).

Bezpečnosť detí

- Ak dvere obsahujú zámku, kľúč uchovávajte mimo dosah detí.
- Deti musia byť pod dohľadom, aby sa zabránilo ich zasahovaniu do produktu.

V súlade so smernicou o odpadoch z elektrických a elektronických zariadení a zneškodňovaní odpadov:



Tento produkt je v súlade so smernicou o odpadoch z elektrických a elektronických zariadení EÚ (2012/19/EÚ). Tento produkt obsahuje symbol triedeného odpadu pre odpadové elektrické a elektronické vybavenie (WEEE).

Tento produkt bol vyrobený z vysoko kvalitných častí a materiálov, ktoré môžu byť znovu použité a sú vhodné na recykláciu. Na konci životnosti odpad z produktu neodstraňujte s bežným odpadom z domácnosti ani s iným odpadom. Recyklujte ho v zbernom mieste určenou na recykláciu elektrického a elektronického vybavenia. Pre zistenie informácií o zberných miestach kontaktujte miestne úrady.

V súlade s Obmedzením používania niektorých nebezpečných látok v elektrických a elektronických zariadeniach

Tento produkt bol zakúpený v súlade so smernicou o odpadoch z elektrických a elektronických zariadení EÚ (2011/65/EÚ). Neobsahuje žiadne nebezpečné alebo zakázané materiály špecifikované smernicou.

Informácie o balení

Obalový materiál produktu je vyrobený z recyklovateľných materiálov v súlade s národnými predpismi o životnom prostredí. Nevyhadzujte obalové materiály spolu s odpadmi z domácnosti alebo inými odpadmi. Vezmite ho na zberné miesto označené miestnymi úradmi.

Upozornenie HC

Chladiaci systém vášho výrobku obsahuje R600a:

Tento plyn je horľavý. Preto dajte pozor na to, aby ste nepoškodili chladiaci systém a potrubné vedenia pri používaní a preprave. V prípade poškodenia udržiavajte produkt mimo potenciálnych zdrojov plameňa, ktoré by mohli spôsobiť vznietenie produktu, a miestnosť, kde je zariadenie umiestnené, dostatočne vetrajte.

Ignorujte toto upozornenie, ak chladiaci systém vášho výrobku obsahuje R134a.

Typ plynu použitý vo výrobku je uvedený na typovom štítku, ktorý sa nachádza na ľavej strane vnútri chladničky.

Produkt nelikvidujte hodením do ohňa.

Veci, ktoré treba urobiť pre úsporu energie

- Dvere vašej chladničky nenechávajúte otvorené dlhý čas.
- Do chladničky nekladajte horúce jedlá alebo nápoje.
- Chladničku neprepíňajte, aby ste neblokovali prúdenie vzduchu v interiéri.
- Vašu chladničku neumiestňujte na priame slnečné svetlo alebo do blízkosti spotrebičov, ktoré produkujú teplo, ako napr. rúry na pečenie, umývačky riadu alebo radiátory.
- Dbajte na to, aby ste jedlo uchovávali v uzavretých nádobách.
- Pri výrobkoch s mraziacim priečinkom môžete v mrazničke skladovať maximálny objem potravín vtedy, keď odstránite poličku alebo priečink mrazničky. Hodnota spotreby energie stanovená pre vašu chladničku bola stanovená tak, že sa odstránila polička alebo priečink mrazničky a pri maximálnom vyťažení. So zreteľom na tvary a veľkosť

potravín určených na zamrazenie neexistuje pri používaní police alebo zásuvky žiadne riziko.

- Rozmrazovanie mrazených potravín v priečinku chladničky zabezpečuje úsporu energie a taktiež zachováva kvalitu potravín.

3 Inštalácia

⚠ Zapamätajte si, že výrobca nie je zodpovedný za škody v prípade, ak nedodržíte pokyny v návode na použitie.

Body, ktoré je potrebné zvažovať pri opakovanej preprave chladničky

1. Vaša chladnička musí byť pred presunom prázdna a očistená.
2. Police, príslušenstvo, priehradky atď. vo vašej chladničke musia byť pred opätovným zabalením chladničky zalepené a zaistené voči otrasom.
3. Balenie musíte zaistiť hrubými páskami alebo silnými lanami a musíte dodržiavať bezpečnostné pokyny na balení.

Nezabudnite...

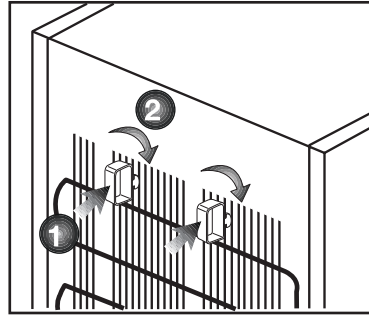
Každý recyklovaný materiál je nepostrádateľným zdrojom pre prírodu a národné zdroje.

Ak by ste chceli prispieť k recyklácii obalových materiálov, informácie môžete získať u ekologických organizácií alebo na miestnych úradoch.

Pred uvedením chladničky do prevádzky

Pred začatím používania vašej chladničky skontrolujte nasledovné:

1. Je interiér chladničky suchý a môže vzduch ľahko cirkulovať v zadnej časti?
2. Vyčistite interiér chladničky podľa odporúčania v časti „Údržba a čistenie“.



3. Chladničku pripojte do elektrickej zásuvky. Keď sa otvoria dvere chladničky, zapne sa vnútorné svetlo.
4. Budete počuť zvuk pri zapnutí kompresora. Kvapalina a plyny utesnené v chladiacom systéme môžu vydávať nejaký zvuk, bez ohľadu na to, či kompresor je alebo nie je v prevádzke. Toto je celkom normálne.
5. Predné hrany chladničky môžu byť zohriate. To je normálne. Tieto časti sú vytvorené tak, aby boli zohriate, aby sa predišlo kondenzácii.
6. 2 plastové kliny môžete namontovať tak, ako je to znázornené na obrázku. Plastové klince zaistia požadovanú vzdialenosť medzi chladničkou a stenou kvôli dostatočnej cirkulácii vzduchu. (Znázornený obrázok predstavuje len príklad a nezohoduje sa presne s vaším produktom.)
7. Interiér chladničky vyčistíte podľa odporúčania v časti „Údržba a čistenie“.

Elektrické pripojenie

Pripojte výrobok k uzemnenej zástrčke, ktorá je chránená poistkou príslušnej kapacity.

Dôležité:

- Pripojenie musí byť v zhode s národnými predpismi.
- Elektrická zásuvka musí byť po inštalácii ľahko prístupná.
- Určené napätie musí byť rovnaké ako napätie vo vašej elektrickej sieti.
- Predlžovacie káble a rozbočky sa nesmú používať na pripojenie zariadenia.

⚠ Poškodený elektrický kábel musí vymeniť kvalifikovaný elektrikár.

⚠ Zariadenie sa nesmie prevádzkovať dovtedy, pokiaľ nebude opravené! Hrozí nebezpečenstvo zásahu elektrickým prúdom!

Likvidácia obalu

Obalový materiál môže byť nebezpečný pre deti. Obalový materiál držte mimo dosahu detí alebo ho vyhoďte podľa pokynov pre likvidáciu odpadu. Neodhadzujte ho spolu s normálnym domovým odpadom.

Balenie chladničky je vyrobené z recyklovateľných materiálov.

Likvidácia vašej starej chladničky

Vašu starú chladničku zlikvidujte ekologicky.

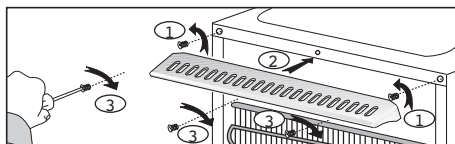
- O likvidácii vašej starej chladničky sa môžete poradiť s vašim autorizovaným predajcom alebo zberným miestom.

Pred likvidáciou vašej chladničky odrežte elektrickú zásuvku a ak sa na dverách nachádzajú nejaké zámky, znefunkčnite ich, aby ste nevystavili deti žiadnemu nebezpečenstvu.

Umiestnenie a inštalácia

1. Chladničku nainštalujte na miesto, ktoré umožňuje ľahké použitie.
2. Chladničku udržiavajte mimo dosah zdrojov tepla, vlhkých miest a priameho slnečného svetla.
3. Kvôli dosiahnutiu účinnej prevádzky musí byť v okolí chladničky dostatočné vetranie. Ak bude chladnička umiestnená vo výklenku v stene, minimálna vzdialenosť od stropu musí byť 5 cm a od steny 5 cm. Ak je podlaha pokrytá kobercom, výrobok musí byť zdvihnutý do výšky 2,5 cm od podlahy.
4. Kvôli zabráneniu hádzaniu dajte chladničku na rovnú podlahu.

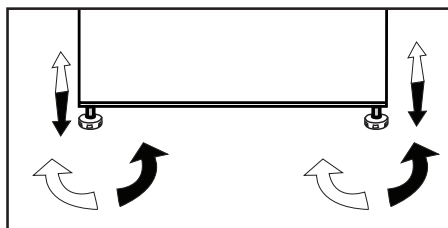
Uistite sa, že okolo spotrebiča je dostatočný priestor na zabezpečenie voľnej cirkulácie vzduchu.



Nastavenie nôh

Ak je vaša chladnička nestabilná;

Chladničku môžete vyvážiť otáčaním predných nôh tak, ako je to znázornené na obrázku. Keď nohu otáčate v smere čiernej šípky, roh s príslušnou nohou sa znižuje; keď nohu otáčate v opačnom smere, poloha sa zvyšuje. Pomoc inej osoby miernym prídvihnutím chladničky celý proces uľahčí.



Výmena lampy osvetlenia

Ak chcete vymeniť lampu použitú na osvetlenie vašej chladničky, zavolajte do autorizovaného servisu.

Lampa(y) použité v tomto prístroji nie sú vhodné pre osvetlenie miestnosti domácnosti. Zamýšľaný účel tohto svietidla je pomôcť užívateľovi umiestniť potraviny do chladničky/mrazničky bezpečne a pohodlne.

Žiarovky použité v tomto spotrebiči musí vydržať extrémne fyzické podmienky, napr. teploty pod -20°C .

Montáž (Pod pultom)

- Vnútoraná výška pultu musí byť 820 mm.(!) Sporáky alebo iné zdroje tepla sa nemôžu umiestniť nad pult, kde je zariadenie namontované pod pultom.
- Zástrčka sieťovej zásuvky sa musí nachádzať blízko pravej alebo ľavej strany zariadenia.
- Odstráňte horný kryt spotrebiča. Nachádzajú sa tam 4 skrutky (2 kusy na zadnej strane, 2 kusy pod predným okrajom), ktoré by ste mali odstrániť.

Obr. 1

- Odrežte časť zobrazenú na obrázku a potom ju vyberte za pomoci klieští.
- Umiestnite vaše zariadenie pod pult a nastavte predné nohy, až kým sa nedotkne pultu.

Aby ste mohli produkt používať pod pultom, tak vzdialenosť medzi stenou a referenčnou značkou naznačenou na hornom prepojovalom plaste musí byť minimálne 595 mm.

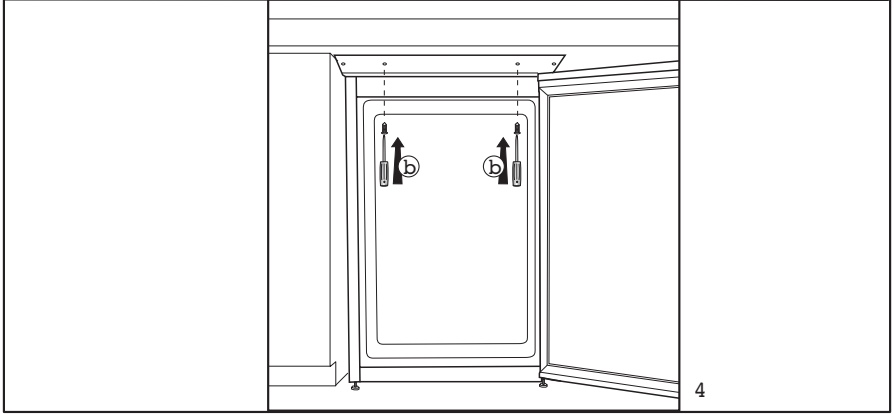
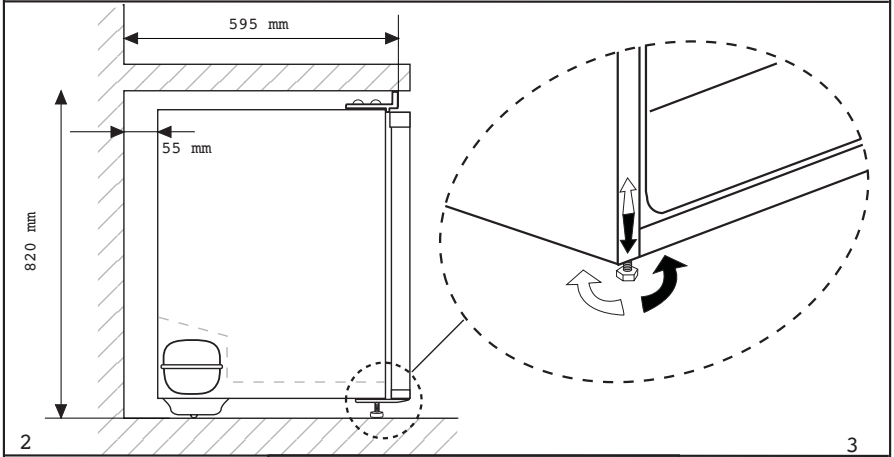
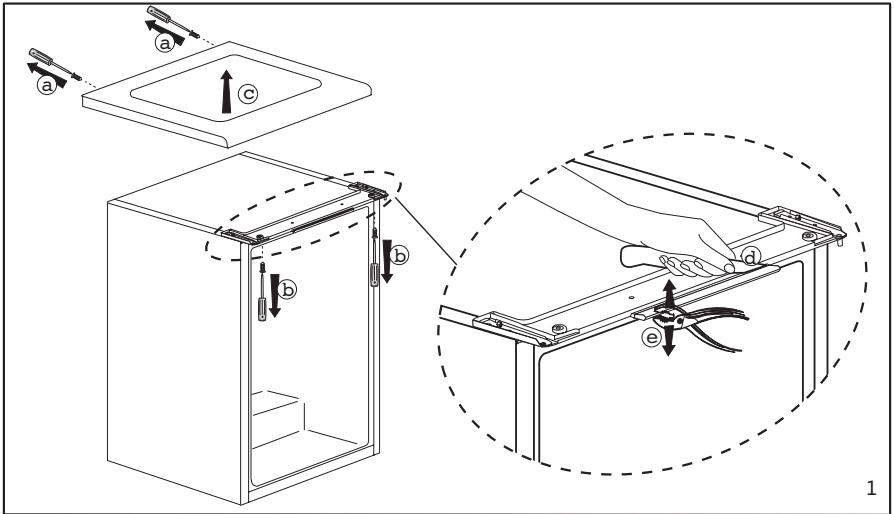
Obr. 2-3

- Spotrebič pod pultom upevnite pomocou 2 skrutiek, ktoré ste vybrali z horného krytu. (Materiál pultu musí byť plastový alebo drevený!)

Obr. 4

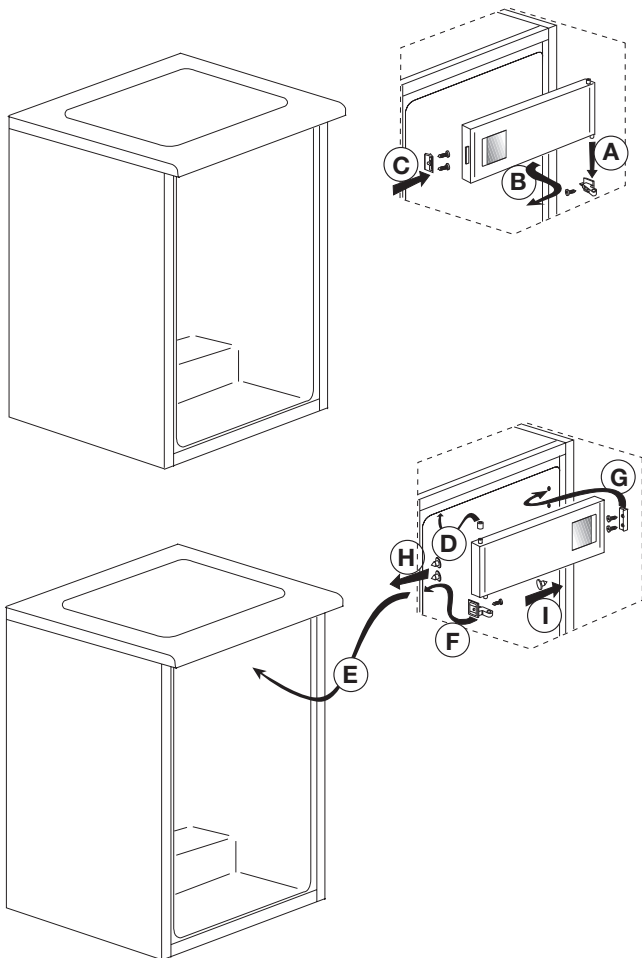
4 Príprava

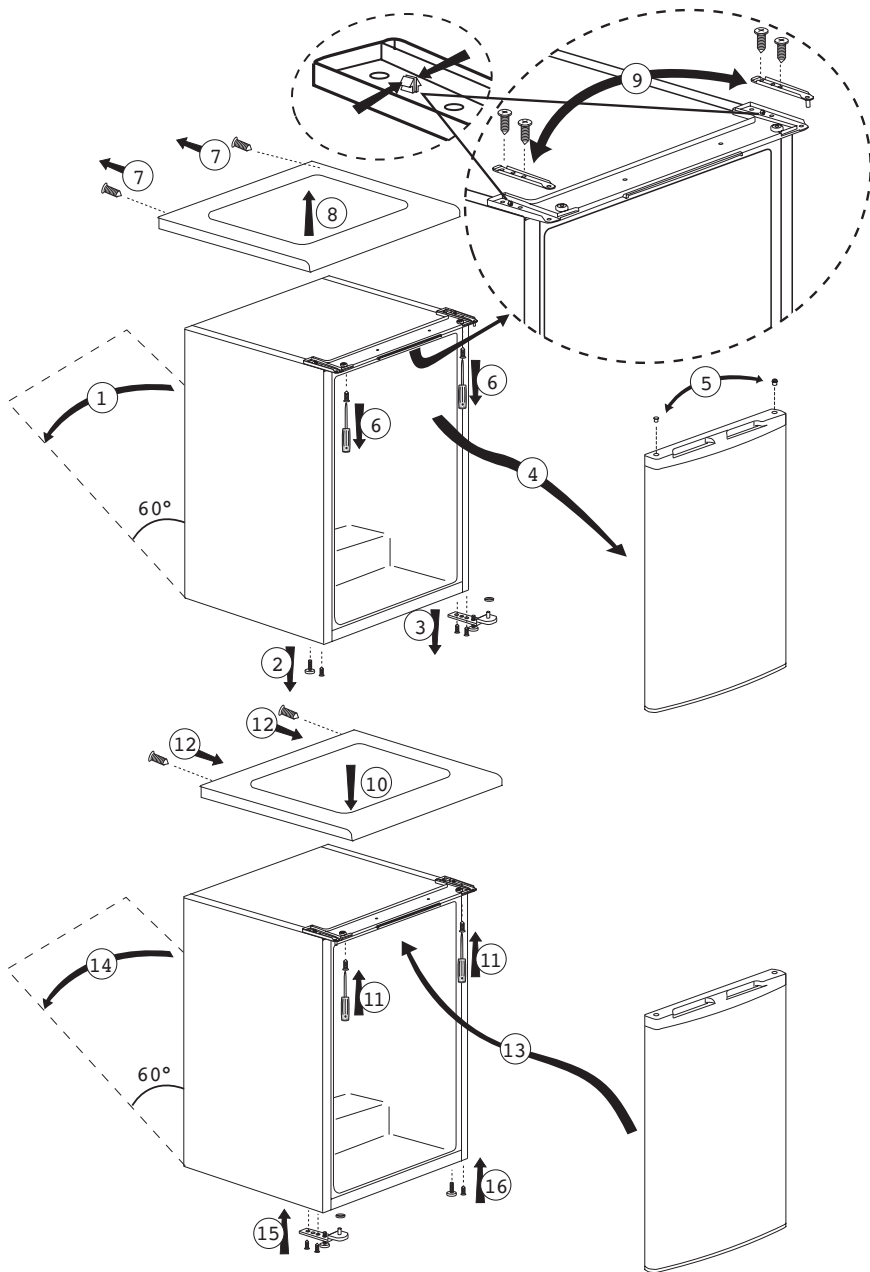
- Vaša chladnička by mala byť umiestnená v najmenej 30 cm vzdialenosti od zdrojov tepla, ako sú horáky, rúry na pečenie, radiátory a kachle a najmenej v 5 cm vzdialenosti od elektrických rúr na pečenie a nemala by byť umiestnená na priamom slnku.
- Teplota prostredia v miestnosti, kde chladničku inštalujete, by mala byť aspoň 10 °C. Prevádzka chladničky v chladnejšom prostredí sa neodporúča s ohľadom na jej účinnosť.
- Uistite sa, že je interiér vašej chladničky dôkladne vyčistený.
- Ak sa budú vedľa seba inštalovať dve chladničky, mala by byť medzi nimi vzdialenosť minimálne 2 cm.
- Pri prvom spustení vašej chladničky počas šiestich hodín dodržujte nasledujúce pokyny.
- Dvere by ste nemali otvárať príliš často.
- Chladnička musí byť počas tohto času prázdna.
- Chladničku neodpájajte od siete. Ak dôjde k výpadku napájania, ktoré nemôžete ovplyvniť, pozrite si upozornenia v časti „Odporúčané riešenia problémov“.
- Vždy používajte koše/zásuvky poskytované s chladičím priestorom v zájmu nízkej spotreby energie a lepších podmienok skladovania.
- Styk potravín s čidlom teploty v mrazničke môže zvýšiť spotrebu energie zariadení. Zabraňte teda jakémukoliv kontaktu s čidlom (čidly).
- Originálny obal a penové materiály by ste si mali odložiť za účelom budúceho transportu a prenášania.
- U niektorých modelov sa prístrojová doska automaticky vypne po 5 minútach po tom, ako boli dvere uzavreté. Opäť sa aktivuje, keď sa dvere otvoria alebo po stlačení ľubovoľnej klávesy.
- Vzhľadom na zmenu teploty v dôsledku otvorenia/zatvorenia dverí počas prevádzky je bežné, že sa na dverách/poličkách a sklenených nádobách objavia kondenzácie.



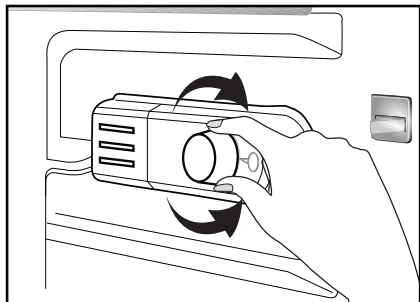
Obrátenie dverí

Postupujte podľa číselného poradia

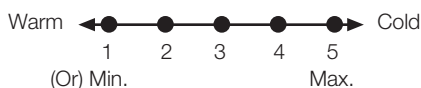




5 Používanie chladničky



Prevádzková teplota sa reguluje ovládaním teploty



1 = Najnižšie nastavenie chladenia (Najteplejšie nastavenie)

5 = Najvyššie nastavenie chladenia (Najchladnejšie nastavenie)

(alebo)

Min. = Najnižšie nastavenie chladenia

(Najteplejšie nastavenie)

Max. = Najvyššie nastavenie chladenia

(Najchladnejšie nastavenie)

Priemerná teplota vo vnútri chladničky by mala byť okolo +5°C.

Nastavenie zvolte podľa požadovanej teploty.

Prevádzku vášho spotrebiča môžete zastaviť tak, že otočíte gombík termostatu do polohy „0“.

Uvedomte si, prosím, že v chladiacej oblasti budú odlišné teploty.

Najchladnejšia oblasť sa nachádza hneď nad priečinkom na zeleninu.

Teplota interiéru tiež závisí od teploty okolia, početnosti otvárania dverí a od množstva uložených potravín.

Časté otváranie dverí spôsobuje zvyšovanie vnútornej teploty.

Z tohto dôvodu sa odporúča dvere čím skôr opätovne zatvoriť.

Mrazenie

Mrazené potraviny

Mraziaci priečnik je označený týmto symbolom

Spotrebič môžete používať pre mrazenie čerstvých potravín, ako aj pre skladovanie predmrazených potravín.

Obráťte sa, prosím, na odporúčania uvedené na balení pre vaše potraviny.

• Upozornenie

Nezamrazujte perlivé nápoje, pretože po zamrznutí tekutiny môže prasknúť fľaška.

Buďte opatrní s mrazenými produktmi, ako napríklad farebnými kockami ľadu.

Neprekračujte zmrazovací výkon vášho spotrebiča v rámci 24 h. Pozrite si klasifikačný štítok.

Aby ste uchovali kvalitu potravín, tak sa mrazenie musí uskutočniť čím najskôr.

Aj napriek tomu sa neprekročí kapacita mrazenia a nestúpne teplota v mrazičke.

• Upozornenie

Už zmrazené potraviny stále uchovávajte oddelené od práve vložených potravín.

Keď zmrazujete horúce potraviny, tak chladiaci kompresor bude fungovať, kým sa potraviny úplne nezmrazia. To môže dočasne spôsobiť nadmerné chladenie priestoru chladničky.

Ak je problematické otvoriť dvere mraziaka po ich zatvorení, tak sa nestrachujte. Je to spôsobené rozdielom tlaku, ktorý sa vyrovná a po pár minútach umožní normálne otvorenie dverí.

Po zatvorení dverí budete počuť zvuk vákua. To je úplne normálne.

Tvorba kociek ľadu


Naplňte podnos na kocky ľadu vodou do 3/4 a položte ho do mrazničky.

Kocky ľadu môžete vybrať hneď potom, čo sa voda premení na ľad.

Na odstránenie ľadu nepoužívajte predmety s ostrými hranami, ako nože alebo vidličky. Existuje tu riziko zranenia!

Namiesto toho nechajte kocky ľadu jemne roztopiť alebo nakrátko umiestnite spodnú časť priehradky do horúcej vody.

Skladovanie mrazených potravín

Priečinok pre mrazené potraviny je označený symbolom .

Priečinok pre mrazené potraviny je vhodný pre uskladnenie predmrazených potravín. Odporúčanie pre uskladnenie uvedené na obale potravín, by sa malo vždy dodržať.

Rozmrazovanie spotrebiča

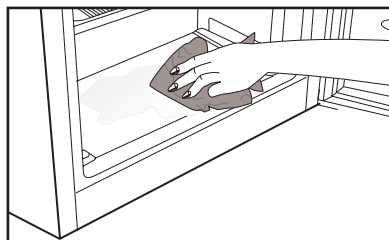
Nadmerná tvorba ľadu ovplyvní výkon mrazenia spotrebiča.

Preto sa odporúča, aby ste spotrebič rozmrazovali aspoň dvakrát do roka alebo kedykoľvek, keď vytvorený ľad prekročí 7 mm.

Spotrebič rozmrazujte len vtedy, keď sa v ňom nachádza málo potravín alebo sa v ňom potraviny nenachádzajú.

Vyberte zmrazené potraviny. Zmrazené potraviny zabalte do viacerých vrstiev papiera alebo prikrývok a uchovajte ich na studenom mieste.

Odpojte spotrebič alebo vypnite prerušovač okruhu, aby ste spustili proces rozmrazovania.



Zo spotrebiča vyberte príslušenstvo (ako policu, priečinok atď.) a použite vhodnú nádobu, aby ste zozbierali roztopenú vodu.

Použite špongiu alebo jemnú handričku, aby ste v prípade potreby odstránili roztopenú vodu v mraziacom priečinku

 a v priečinku pre mrazené potraviny. 

Počas rozmrazovania uchovajte dvere otvorené.

Pre rýchle rozmrazovanie umiestnite do spotrebiča nádobu s teplou vodou.

Na odstránenie ľadu nikdy nepoužívajte elektrické zariadenia, rozmrazovacie spreje alebo zašpicatené a ostré objekty, ako napríklad nože alebo vidličky.

Po dokončení rozmrazovania očistite vnútornú časť.

Opätovne pripojte spotrebič k sieti. Do priečinkov umiestnite mrazené potraviny a priečinky zasuňte do mrazničky.

Chladienie

Uskladnenie potravín

Priestor chladničky je určený pre krátkodobé skladovanie čerstvých potravín a nápojov.

Mliečne produkty skladujte v chladničke v určených priečinkoch.

Fľašky sa môžu uskladniť v držiaku fľašiek alebo v polici na fľaše na dverách.

Surové mäso je najlepšie uchovať v polyetylénovom vrecku v priečinku na dne chladničky.

Pred umiestnením horúcich potravín a nápojov do chladničky ich nechajte vychladnúť na izbovú teplotu.

• Upozornenie

Koncentrovaný alkohol skladujte iba v postavenej nádobe, ktorá je pevne uzatvorená.

• Upozornenie

V spotrebiči neskladujte výbušné látky alebo nádoby s horľavými pohonnými plynmi (sprejová šľahačka, spreje atď.).

Hrozí nebezpečenstvo výbuchu.

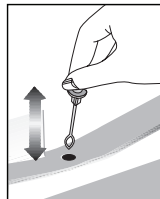
Rozmrazovanie spotrebiča

Priestor chladničky rozmrazuje automaticky. Odmrazená voda steká do odtokového kanálika do zbernej nádoby na zadnej strane spotrebiča.

Počas rozmrazovania sa na zadnej stene chladničky kvôli odparovaniu vytvárajú kvapky vody.

Ak všetky kvapky neodkvapkajú, tak po dokončení rozmrazovania môžu opätovne zamrznúť. Odstráňte ich jemnou handričkou namočenou v teplej vode. Nepoužívajte tvrdé alebo ostré objekty.

Z času na čas kontrolujte prietok roztopenej vody. Príležitostne sa môže zablokovať. Očistite čistiacim prostriedkom na rúrky alebo podobným prostriedkom.



6 Údržba a čistenie

- ⚠ Na čistenie nikdy nepoužívajte benzín, benzén alebo obdobné prostriedky.
- ⚠ Odporúčame vám, aby ste zariadenie pred čistením odpojili od siete.
- ⚠ Na čistenie nikdy nepoužívajte žiadne ostré a drsné predmety, mydlo, domáce čistiadlá, saponáty a voskové leštidlá.
- ⚠ Pri výrobkoch, ktoré nie sú typu Frost, sa na zadnej stene chladničky tvoria vodné kvapky a námraza až po šírku prsta. Nečistite to; nikdy na to nepoužívajte olej alebo podobné látky.
- ⚠ Na čistenie vonkajšieho povrchu výrobku používajte iba mierne vlhké tkaniny z mikrovlákien. Špongie a iné typy utierok môžu poškriabať povrch.
- ⓘ Na čistenie skrine chladničky použite vlažnú vodu a vytrite ju do sucha.
- ⓘ Pomocou vlhkej handry namočenej do roztoku jednej lyžičky sódy bikarbóny v pol litri vody očistite vnútrajšok a vytrite ho do sucha.
- ⚠ Uistite sa, že do puzdra lampy, prípadne iných elektrických súčiastok, neprenikne voda.
- ⚠ Ak sa chladničku nechystáte používať dlhšie obdobie, odpojte napájací kábel, vyberte všetky potraviny, vyčistite ju a dvere nechajte pootvorené.
- ⓘ Pravidelne kontrolujte, či je tesnenie dverí čisté a zbavené odrobiniek z potravín.
- ⚠ Ak chcete odstrániť priečinky vo dverách, vyberte celý ich obsah a potom jednoducho potlačte priečinkov nahor zo základne.
- ⚠ Na čistenie vonkajších povrchov a chrómovaných dielov produktu nikdy nepoužívajte čistiace prostriedky ani vodu s obsahom chlóru. Chlór spôsobuje koróziu takýchto kovových povrchov.
- ⚠ Nikdy nepoužívajte ostré a drsné nástroje alebo mydlo, domáce čistiace prostriedky, čistiace prostriedky, benzín, benzén, vosk, atď., v opačnom prípade sa na plastových dieloch objavia škrvny a dôjde k ich deformácii. Na čistenie použite teplú vodu a mäkkú handričku a utrite ich do sucha.

Ochrana plastových povrchov

- ⓘ Kvapalné oleje a vyprázané jedlá nedávajte do chladničky v otvorených nádobách, pretože poškodzujú plastové povrchy vašej chladničky. V prípade rozliatia alebo roztratia oleja na plastové povrchy okamžite vyčistite a opláchnite príslušnú časť povrchu teplou vodou.

7 Odporúčané riešenia problémov

Pred zavolaním servisu si pozrite tento zoznam. Môže vám to ušetriť čas aj peniaze. Tento zoznam obsahuje bežné sťažnosti, ktoré sa nevzťahujú na chybné spracovanie alebo využitie materiálu. Niektoré z tu popísaných funkcií nemusí váš produkt obsahovať.

Chladnička nefunguje.

- Je chladnička správne pripojená do siete? Zasuňte zásuvku do stenovej zástrčky.
- Nie je prepálená poistka, ku ktorej je pripojená chladnička, alebo hlavná poistka? Skontrolujte poistku.

Kondenzácia na bočnej stene priestoru chladničky (MULTIZÓNA, OVLÁDANIE CHLADU a FLEXI ZÓNA).

- Veľmi studené podmienky prostredia. Časté otváranie a zatváranie dverí. Veľmi vlhké podmienky prostredia. V chladničke sa nachádzajú potraviny obsahujúce kvapaliny v otvorených nádobách. Ponechanie pootvorených dverí. Prepnutie termostatu do chladnejšej polohy.
- Skrátenie doby otvorenia dverí alebo ich zriedkavejšie používanie.
- Prikrytie jedla v otvorených nádobách vhodným materiálom.
- Vlhkosť poutierajte suchou handrou a skontrolujte, či stále pretrváva.

Kompresor nie je v prevádzke

- Ochranná teplotná poistka kompresora sa vypáli počas náhleho výpadku napájania alebo pri vytiahnutí a opätovnom zastrčení zásuvky, pretože tlak chladiva v chladničke ešte nie je vyvážený. Vaša chladnička začne pracovať po približne šiestich minútach. Ak po tomto čase chladnička nezačne fungovať, zavolajte servis.

- Chladnička je v rozmrazovacom cykle. Pre plne automatickú rozmrazovaciu chladničku je to normálne. Cyklus odmrazovania sa vykonáva pravidelne.

- Chladnička nie je pripojená do siete. Ubezpečte sa, že ste zástrčku správne vložili do zásuvky.

- Sú správne vykonané nastavenia teploty?

- Napájanie je možno prerušené.

Chladnička pracuje príliš často alebo príliš dlhý čas.

• Váš nový produkt môže byť širší ako predchádzajúci. To je úplne normálne. Veľké chladničky pracujú dlhší čas.

• Okolité teplota môže byť vysoká. To je úplne normálne.

• Chladnička mohla byť zapnutá len nedávno alebo mohlo byť do nej vložené jedlo. Kompletné vychladenie chladničky môže trvať o niekoľko hodín dlhšie.

• Do chladničky mohlo byť len nedávno vložené väčšie množstvo teplého jedla. Teplé jedlo spôsobuje dlhší chod chladničky, kým sa nedosiahne bezpečná teplota skladovania.

• Dvere mohli byť často otvárané alebo ponechané po dlhý čas v pootvorenom stave. Teplý vzduch, ktorý prenikol do chladničky, spôsobuje, že chladnička pracuje dlhší čas. Dvere otvárajte menej často.

• Oddelenie mrazničky alebo chladničky mohlo byť ponechané pootvorené. Skontrolujte, či sú dvere tesne zatvorené.

• Teplota v chladničke je nastavená na veľmi nízku hodnotu. Nastavte teplotu v chladničke na vyššiu a vyčkajte, kým je táto teplota dosiahnutá.

• Tesnenie dverí chladničky alebo mrazničky môže byť zanesené špinou, opotrebované, poškodené alebo nesprávne nasadené. Vyčistite alebo vymeňte tesnenie. Poškodené tesnenie spôsobuje, že chladnička pracuje dlhšiu dobu, aby udržala požadovanú teplotu.

Teplota mrazničky je veľmi nízka, zatiaľ čo teplota chladničky je dostatočná.

• Teplota v mrazničke je nastavená na veľmi nízku hodnotu. Nastavte teplotu v mrazničke na vyššiu a skontrolujte.

Teplota chladničky je veľmi nízka, zatiaľ čo teplota mrazničky je dostatočná.

• Teplota v chladničke je možno nastavená na veľmi nízku teplotu. Nastavte teplotu v chladničke na vyššiu a skontrolujte.

Jedlo uložené v spodných zásuvkách chladničky je zmrazené.

• Teplota v chladničke je možno nastavená na veľmi nízku teplotu. Nastavte teplotu v chladničke na vyššiu a skontrolujte.

Teplota v chladničke alebo mrazničke je príliš vysoká.

• Teplota v chladničke je možno nastavená na veľmi vysokú hodnotu. Nastavenia chladničky vplyvajú na teplotu v mrazničke. Zmeňte teplotu chladničky alebo mrazničky, pokiaľ sa tieto teploty nedostanú na adekvátnu úroveň.

• Dvere mohli byť často otvárané alebo ponechané po dlhý čas v pootvorenom stave - otvárajte ich menej často.

• Dvere ste možno nechali pootvorené - dvere úplne zatvorte.

• Do chladničky ste možno nedávno vložili väčšie množstvo teplého jedla. Počkajte, kým mraznička alebo chladnička dosiahnu požadovanú teplotu.

• Chladnička mohla byť pripojená do siete len nedávno. Úplné ochladenie chladničky nejaký čas trvá.

Prevádzkový hluk sa zvyšuje, keď chladnička pracuje.

• Prevádzkový výkon chladničky sa môže meniť podľa zmeny teploty okolia. Je to úplne normálne a neznamená to poruchu.

Otrasy alebo hluk.

• Podlaha nie je rovná alebo nie je pevná. Chladnička sa trasie pri pomalom pohybe. Skontrolujte, či podlaha dokáže uniesť hmotnosť chladničky a či je rovná.

• Hluk môže byť spôsobený predmetmi položenými na chladničke. Odstráňte predmety na vrchu chladničky.

Z chladničky vychádzajú zvuky ako rozliatie alebo rozstrekovanie kvapaliny.

• Tok kvapaliny a plynu sa uskutočňuje podľa prevádzkových princípov. Je to úplne normálne a neznamená to poruchu.

Chladnička vydáva zvuky ako fúkanie vetra.

- Na ochladenie chladničky sa používajú ventilátory. Je to úplne normálne a neznamená to poruchu.

Kondenzácia na vnútorných stenách chladničky.

- Horúce a vlhké počasie zvyšuje namrazovanie a kondenzáciu. Je to úplne normálne a neznamená to poruchu.
- Dvere ste možno nechali pootvorené - ubezpečte sa, že ste dvere úplne zatvorili.
- Dvere mohli byť často otvárané alebo ponechané po dlhý čas v pootvorenom stave - otvárajte ich menej často.

Na vonkajšej strane chladničky alebo medzi dverami sa tvorí vlhkosť.

- Vo vzduchu sa môže nachádzať vlhkosť - je to celkom bežné pri vlhkom počasí. Pri nižšej vlhkosti sa kondenzácia stratí.

Vo vnútri chladničky je nepríjemný zápach.

- Musíte vyčistiť interiér chladničky. Interiér chladničky vyčistíte špongiou, vlažnou vodou alebo perlivou vodou.
- Zápach môžu spôsobovať niektoré nádoby alebo obalové materiály. Použite odlišnú nádobu alebo odlišnú značku baliaceho materiálu.

Dvere sa nezatvárajú.

- Obaly potravín môžu brániť zatvoreniu dverí. Odstráňte obaly, ktoré bránia v ceste dverám.
- Chladnička nie je na podlahe v úplne zvislej polohe a pri miernom pohybe sa kolíše. Nastavte elevačné skrutky.
- Podlaha nie je rovná alebo dostatočne pevná. Skontrolujte, či je podlaha rovná a či dokáže uniesť hmotnosť chladničky.

Špeciálne priehradky sú zaseknuté.

- Jedlo sa môže dotýkať vrchnej strany zásuvky. Znovu usporiadajte jedlo v zásuvke.

Ak je povrch zariadenia horúci

- Vysoké teploty je možné spozorovať v priestore medzi dverami, na bočných paneloch a na zadnom rošte, počas prevádzky zariadenia. Je to normálny stav, ktorý nevyžaduje údržbu!

Pirmiausia įdėmiai perskaitykite šį vadovą!

Gerbiamas pirkėjų,

Mes tikimės, kad mūsų gaminys, kuris buvo sukurtas moderniose gamyklose ir kruopščiai patikrintas pagal griežtus kokybės kontrolės reikalavimus, veiksmingai ir ilgai jums tarnaus.




Todėl mes rekomenduojame jums prieš naudojimą atidžiai perskaityti visą šio gaminio vartotojo vadovą ir išsaugoti jį, kad galėtumėte pasinaudoti juo ateityje.

Šis vadovas

- Padės jums greitai ir saugiai naudoti šį buitinį prietaisą.
 - Prieš sumontuodami ir pradėdami naudoti šį gaminį, perskaitykite šį vadovą.
 - Vadovaukitės nurodymais, ypač nurodymais dėl saugos.
 - Laikykite šį vadovą lengvai pasiekiamoje vietoje, nes juo dar gali tekti pasinaudoti.
 - Taip pat perskaitykite ir kitus su šiuo gaminiu pateiktus dokumentus.
- Atkreipkite dėmesį, kad šis vadovas gali galioti ir kitiems modeliams.

Ženklaai ir jų aprašymas

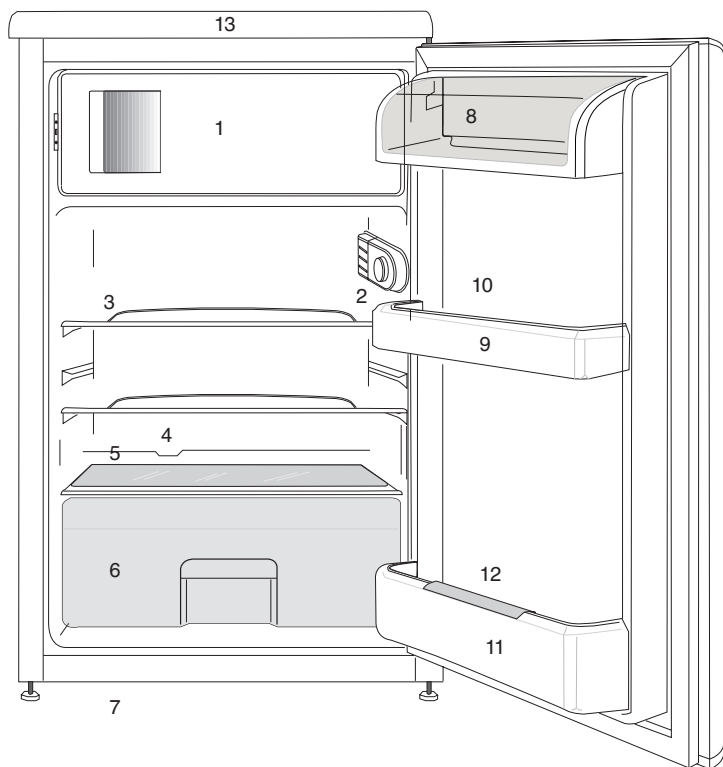
Šioje naudojimo instrukcijoje panaudoti tokie ženklai:

-  Svarbi informacija arba naudingi patarimai dėl naudojimo.
-  Įspėjimas dėl sveikatai pavojingų arba žalos turtui galinčių padaryti sąlygų.
-  Įspėjimas dėl elektros įtampos.

TURINYS

1 Šaldytuvas	4	4 Paruošimas	13
2 Svarbūs įspėjimai dėl saugos	5	Kojelių reguliavimas	14
Naudojimo paskirtis.....	5	Apšvietimo lemputės pakeitimas	14
Bendrieji saugos reikalavimai.....	5	Durų perstatymas	15
Gaminiams su vandens dalytuvu;.....	8	Durų perstatymas	16
Vaikų sauga.....	9	Durų perstatymas	17
WEEE Direktyvos ir senų gaminių išmetimo taisyklių atitiktis:	9	5 Šaldytuvo eksploatavimas	18
RoHS direktyvos atitiktis:.....	9	Užšaldymas.....	18
Informacija apie pakuotę.....	9	Maisto užšaldymas	18
HC įspėjimas	9	Ledo kubelių gaminimas.....	19
Jeigu gaminyje įrengta aušinimo sistema, kurioje naudojama R600a: .	9	Šaldytų maisto produktų laikymas...19	
Nepaisykite šio įspėjimo, jeigu gaminyje įrengta aušinimo sistema, kurioje naudojama R134a.	9	Buitinio prietaiso atitirpdymas	19
Ką reikia daryti, norint sutaupyti energijos	10	Aušinimas.....	20
		Maisto saugojimas	20
		Buitinio prietaiso atitirpdymas.....	20
3 Įrengimas	11	6 Techninė priežiūra ir valymas	21
Į ką reikia atsižvelgti vežant šį šaldytuvą	11	Plastikinių paviršių apsauga	21
Prieš pradėdant naudoti šaldytuvą .	11	7 Rekomenduojami problemų sprendimo būdai	22
Elektros prijungimas	12		
Pakuotės išmetimas	12		
Seno šaldytuvo išmetimas	12		
Pastatymas ir instaliacija	12		

1 Šaldytuvas



1. a.) Šaldymo skyrius ir ledukų padėklas (modeliams *** ** ***)
b.) Šaldyto maisto skyrius ir ledukų padėklas (modeliams *** ***)
2. Vidaus apšvietimo lemputė ir termostato rankenėlė
3. Perkeliamos lentynos
4. Atšildyto vandens surinkimo kanalas - drenažo vamzdelis
5. Stalčiaus daržovėms dangtis
6. Daržovių dėtuė
7. Ventiliacijos grotelės
8. Pieno produktų skyrius
9. Durų lentynos
10. Dėklas kiaušiniams
11. Lentyna buteliams
12. Butelių laikiklis
13. Viršutinis stalielis





I Šiame eksploatavimo vadove pateikti paveikslėliai yra orientacinio pobūdžio; gali būti, kad jie tiksliai nevaizduoja jūsų turimo gaminio. Jei jūsų turimame gaminyje nėra aprašomų dalių, tai reiškia, jog tai taikoma kitiems modeliams.

2 Svarbūs įspėjimai dėl saugos

Prašome atidžiai perskaityti toliau pateiktą informaciją. Nepaisant šios informacijos, galima susižaloti arba padaryti žalos turtui. Tuomet nebegalios jokia garantija ir gamintojo įsipareigojimai.

Originalios atsarginės dalys tiekiamos 10 metų nuo gaminio įsigijimo dienos.

Naudojimo paskirtis

	ĮSPĖJIMAS: Pasirūpinkite, Kad Ventiliacijos Angos, Esančios Prietaiso Korpusė Arba Įmontuotoje Struktūroje, Visiškai Nebūtų Užblokuotos.
	ĮSPĖJIMAS: Nenaudokite Mechaninių Ar Kitų Priemonių, Kad Paspirtintumėte Atitirpinimo Procesą, Išskyrus Pagal Gamintojo Rekomendacijas.
	ĮSPĖJIMAS: Nesugadinkite Šaldymo Kontūro.
	ĮSPĖJIMAS: Elektrinių Prietaisų Nenaudokite Prietaiso Viduje Esančiuose Maisto Laikymo Skyriuose, Nebent Jie Yra Tokio Tipu, Kurį Rekomenduoja Gamintojas.

Šis prietaisas yra skirtas naudoti buitiniams ir kitoms panašioms sąlygoms, pvz.:

- darbuotojų virtuvėse, esančiose parduotuvėse, biuruose ir kitoje darbo aplinkoje;
- ūkių namuose ir klientams, skirtoje viešbučių, motelių ir kitoje gyvenamojoje aplinkoje;
- nakvynę su pusryčiais siūlančiose įstaigose;
- maitinimo ir panašių nemažmeninių paslaugų atveju.

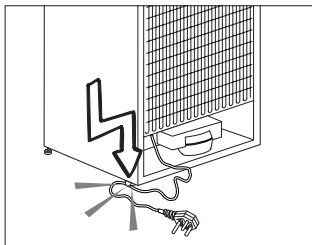
Bendrieji saugos reikalavimai

- Kai šį gaminį norėsite išmesti arba atiduoti į metalo laužą, rekomenduojama pasikonsultuoti su įgaliotomis tarnybomis ir institucijomis, kad sužinotumėte reikiamą informaciją.
- Jei kyla klausimų apie šaldytuvą arba atsiranda problemų, pasikonsultuokite su įgaliotais aptarnavimo specialistais. Šaldytuvo neardykite ir niekam neleiskite to daryti; tai galima daryti tik apie tai pranešus įgaliotiems aptarnavimo specialistams.
- Gaminiam su šaldiklio kamera; Ledų ir ledo kubelių nevalgykite vos juos išėmę į šaldiklio kameros! (Galite nušalti burną.)

- Gaminiam su šaldiklio kamera; Į šaldiklio kamerą nedėkite butelių ir skardinių su gėrimais. jie gali sprogti.
- Užšaldytų maisto produktų nelieskite rankomis – jie gali prilipti prie rankų.
- Prieš valydami arba atšildydami šaldytuvą, atjunkite jį nuo elektros tinklo.
- Šaldytuvui valyti ir šerkšniui šalinti negalima naudoti garų ir garinių valomųjų medžiagų. Garai gali pasiekti elektrines dalis ir sukelti trumpą jungimą arba elektros smūgį.
- Šaldytuvo dalių, pavyzdžiui, nuo spyrio apsaugančios plokštės arba durelių, nenaudokite kaip atramos ar laiptelio.
- Šaldytuvo viduje nenaudokite elektros prietaisų.
- Žiūrėkite, kad gręžimo ar pjovimo įrankiais nepažeistumėte dalių, kuriose cirkuliuoja aušinamasis skystis. Iš pradurtų garintuvo dujų kanalų, vamzdžių ilgintuvų arba paviršiaus dangų ištryškęs aušinamasis skystis gali suerzinti odą ir pažeisti akis.
- Jokiomis medžiagomis neuždenkite ir neužkimškite šaldytuvo ventiliacinių angų.
- Elektrinius prietaisus privalo taisyti tik įgaliotieji asmenys. Jei remontą vykdys nekompetentingi asmenys, naudotojui gali kilti pavojus.
- Įvykus trikdžiai, taip pat techninės priežiūros arba remonto metu šaldytuvui atjunkite elektros maitinimą – arba išsukite atitinkamą saugiklį, arba ištraukite prietaiso laido kištuką.
- Netraukite laikydami už laido – traukite laikydami už kištuko.
- Pasirūpinkite, kad stiprūs alkoholiniai gėrimai būtų pastatyti vertikaliajoje padėtyje su užsuktu dangteliu .
- Šaldytuve niekada nelaikykite flakonų su degiomis ir sprogiomis medžiagomis.
- Norėdami paspartinti atitirpinimo procesą, nenaudokite jokių mechaninių prietaisų ar kitų priemonių, išskyrus gamintojo rekomenduojamas.
- Šis buitinis prietaisas nėra skirtas naudoti asmenims (įskaitant vaikus) su fiziniais, jutimo ar protiniais sutrikimais arba asmenims, kurie turi nepakankamai patirties ir žinių naudoti šį prietaisą, nebent juos tinkamai prižiūrėtų (arba nurodytų, kaip naudoti šį buitinį prietaisą) už jų saugą atsakingas asmuo.
- Nenaudokite sugedusio šaldytuvo. Jeigu dėl ko nors nerimaujate, pasikonsultuokite su techninio aptarnavimo specialistais.
- Šaldytuvo elektros sauga garantuojama tik tuo atveju, jei jūsų name įrengta žemėjimo sistema atitinka standartus.

- Gaminį statyti vietoje, neapsaugotoje nuo lietaus, sniego, saulės ir vėjo, pavojinga elektros saugos požiūriu.
- Jeigu maitinimo kabelis būtų pažeistas, susisieki­te su įgaliotuoju techninio aptarnavimo centru, kad išvengtumėte pavojaus.
- Įrengimo metu draudžiama šaldytuvo maitinimo laido kištuką įkišti į sieninį lizdą – galite žūti arba patirti rimtą traumą.
- Šis šaldytuv­as skirtas tik maisto produktams laikyti. Prietaiso negalima naudoti kitai paskirčiai.
- Etiketė, kurioje nurodomi techniniai gaminio duomenys, pritvirtinta vidinėje kairėje šaldytuvo pusėje.
- Niekada neįjunkite šio šaldytuvo į elektros energijos taupymo sistemas; jos gali sugadinti šaldytuvą.
- Jeigu šaldytuve įrengta mėlyna kontrolinė lemputė, ilgai nežiūrėkite į mėlyną šviesą plika akimi arba pro optinius prietaisus.
- Jeigu naudojate rankiniu būdu valdomą šaldytuvą, nutrūkus elektros tiekimui, prieš vėl jį įjungdami, palaukite bent 5 minutes.
- Atidavus šį gaminį kitiems, naujam gaminio savininkui reikia atiduoti ir šią naudojimo instrukciją.

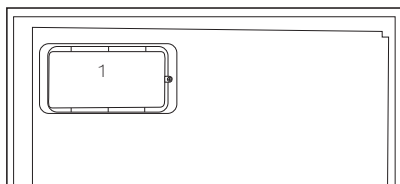
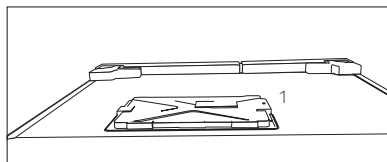
- Gabendami šaldytuvą, stenkitės nepažeisti maitinimo kabelio. Sulenktas kabelis gali sukelti gaisrą. Ant maitinimo kabelio niekada nestatykite sunkių daiktų. Jungdami gaminį į maitinimo tinklą, nelieskite kištuko drėgnomis rankomis.



- Neįjunkite šaldytuvo, jeigu sieninis lizdas yra atsilaisvinęs.
- Saugumo sumetimais nepukškite vandens tiesiai ant vidinių arba išorinių šio gaminio dalių.
- Nepurškite šalia šaldytuvo degių medžiagų, pavyzdžiui, propano dujų ir pan., nes kyla gaisro ir sprogo­mo pavojus.
- Nestatykite ant šaldytuvo indų su vandeniu, nes gali kilti elektros smūgis arba gaisras.
- Neprikraukite į šaldytuvą per daug maisto produktų. Pridėjus per daug maisto produktų, atidarant arba uždarant šaldytuvo duris, jie gali iškristi ir sužeisti. Niekada nestatykite ant šaldytuvo daiktų, nes atidarius arba uždarius šaldytuvo dureles, jie gali nukristi.
- Šaldytuve negalima laikyti medžiagų, kurioms saugoti

reikia tikslios temperatūros, pavyzdžiui, vakcinų, temperatūrai jautrių vaistų, mokslinių tyrimų medžiagų ir pan.

- Jeigu šaldytuvo ilgai nenaudojate, būtinai atjunkite jį nuo maitinimo tinklo. Dėl galimo maitinimo kabelio pažeidimo gali kilti gaisras.
- Jeigu reguliuojamos kojelės netvirtai remsis į grindis, šaldytuvą gali judėti. Pareguliuokite reguliuojamas kojelės, kad jos tinkamai remtųsi į grindis ir šaldytuvą nejudėtų.
- Nešdami šaldytuvą, nelaikykite jo už durų rankenos. Kitaip jį gali nulūžti.
- Jeigu šį gaminį reikia statyti prie kito šaldytuvo arba šaldiklio, tarp prietaisų būtina palikti bent 8 cm tarpą. Kitaip gretimos šoninės sienelės gali pradėti rasoti.
- Niekuomet nenaudokite gaminio, jei gaminio viršuje arba galinėje pusėje esantis skyrius su elektroninėmis spausdintinėmis plokštėmis viduje yra atidarytas (elektroninių spausdintinių plokščių dangtis) (1).



Gaminiams su vandens dalytuvu;

- Slėgis šalto vandens įvade neturi viršyti 90 psi (620 kPa). Jei slėgis jūsų vandens sistemoje viršija 80 psi (550 kPa), joje turi būti sumontuotas slėgio ribojimo vožtuvas. Jei nežinote, kaip patikrinti vandens slėgį, kreipkitės į santchnikos specialistą.
- Jeigu jūsų vandentiekio sistemoje kyla hidraulinių smūgių pavojus, visada privalote naudoti apsaugos nuo hidraulinių smūgių įrangą. Pasitarkite su santchnikos specialistu, jeigu nesate užtikrinti, kad jūsų vandentiekio sistemoje nėra hidraulinių smūgių pavojaus.
- Negalima montuoti karšto vandens įvade. Saugokite žarnas nuo užšalimo. Darbinė vandens temperatūra turi būti nuo 33 °F (0,6 °C) iki 100 °F (38 °C).

- Naudokite tik geriamąjį vandenį.

Vaikų sauga

- Jeigu durelės rakinamos spyna, laikykite raktą vaikams nepasiekiamoje vietoje.
- Privaloma prižiūrėti mažus vaikus, kad jie nežaistų su šiuo buitiniu prietaisu.

WEEE Direktyvos ir senų gaminių išmetimo taisyklių atitiktis:



Šis gaminys atitinka ES WEEE Direktyvą (2012/19/ES). Šis gaminys paženklintas elektros ir elektroninės įrangos klasifikavimo (WEEE)

ženklą.

Šis gaminys pagamintas iš aukštos kokybės medžiagų ir dalių, kurias galima perdirbti ir pakartotinai panaudoti. Pasibaigus gaminio tarnavimo laikui, neišmeskite jo kartu su įprastomis buitinėmis atliekomis. Atiduokite jį į surinkimo punktą, kad elektros ir elektronikos įranga būtų perdirbta. Surinkimo punktų adresus sužinosite vietos savivaldybėje.

RoHS direktyvos atitiktis:

Jūsų įsigytas gaminys atitinka ES RoHS Direktyvą (2011/65/ES). Jame nėra šioje Direktyvoje nurodytų kenksmingų ir draudžiamų medžiagų.

Informacija apie pakuotę

Šio gaminio pakavimo medžiagos pagamintos iš pakartotinai panaudojamų medžiagų, atsižvelgiant į mūsų nacionalinius aplinkosaugos reglamentus. Neišmeskite pakavimo medžiagų kartu su kitomis buitinėmis atliekomis arba kitomis šiukšlėmis. Išmeskite pakavimo medžiagas į tam skirtą vietos atliekų surinkimo punktą.

HC įspėjimas

Jeigu gaminyje įrengta aušinimo sistema, kurioje naudojama R600a:

Šios dujos lengvai užsiliepsnoja. Todėl būkite atsargūs, kad eksploataavimo ir transportavimo metu nepažeistumėte aušinimo sistemos ir vamzdžių. Pažeidimo atveju, saugokite gaminį nuo galimų liepsnos šaltinių, nuo kurių gaminys galėtų užsidegti, ir vėdinkite patalpą, kurioje stovi šis prietaisas.

Nepaisykite šio įspėjimo, jeigu gaminyje įrengta aušinimo sistema, kurioje naudojama R134a.

Gaminyje naudojamų dujų rūšis nurodyta techninių gaminio duomenų etiketėje, kuri yra pritvirtinta vidinėje kairėje šaldytuvo pusėje.

Niekuomet nedeginkite šio buitinio prietaiso.

Ką reikia daryti, norint sutaupyti energijos

- Nelaikykite šaldytuvo durelių atidarytų ilgą laiką.
- Į šaldytuvą nedėkite karšto maisto arba gėrimų.
- Į šaldytuvą nedėkite pernelyg daug maisto produktų, kad nebūtų kliudoma viduje cirkuliuoti orui.
- Šaldytuvo nestatykite vietoje, kur šviečia tiesioginiai saulės spinduliai arba arti šilumą skleidžiančių prietaisų, pavyzdžiui, orkaitių, indaplovių arba radiatorių.
- Maisto produktus laikykite uždaruose induose.
- Gaminiuose su šaldymo kamera; išėmę šaldiklio lentyną arba stalčių, šaldiklio kameroje galite laikyti maksimalų produktų kiekį. Paskelbtosios šaldytuvo energijos sąnaudos nustatytos išėmus šaldiklio kameros lentyną arba ištraukus stalčių ir sudėjus maksimalų leistiną produktų kiekį. Ant lentynos arba stalčiuje galima saugiai laikyti užšaldyti skirtus produktus, atsižvelgiant į jų formą ir dydį.
- Atšildant šaldytus maisto produktus šaldytuvo skyriuje, bus ir taupoma energija, ir išsaugoma maisto kokybė.

3 Įrengimas

⚠ Prašom atkreipti dėmesį, kad gamintojas neprisiima atsakomybės, jei bus nepaisoma šiame eksploatavimo vadove pateiktos informacijos.

Į ką reikia atsižvelgti vežant šį šaldytuvą

1. Prieš šaldytuvą transportuojant, jį reikia ištuštinti ir išvalyti.
2. Prieš šaldytuvą supakuojant, jame esančias lentynas, papildomas dalis, daržovių dėtuves ir kt. būtina sutvirtinti lipnia juosta, kad šios dalys nesikratytų.
3. Pakuotės medžiagas būtina sutvirtinti storomis juostomis ir tvirtomis virvėmis; būtina paisyti ant pakuotės pateiktų transportavimo instrukcijų.

Atminkite...

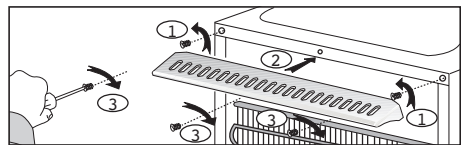
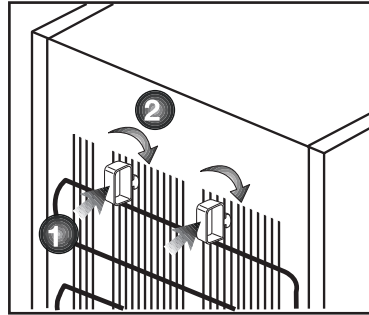
Visų medžiagų perdirbimas turi didelės įtakos tausojant gamtos ir mūsų šalies išteklius.

Jei pakavimo medžiagas norite atiduoti perdirbti, kreipkitės į aplinkosaugos institucijas arba vietos valdžios įstaigas, kur jums bus suteikta daugiau informacijos.

Prieš pradėdant naudoti šaldytuvą

Prieš pradėdami naudoti buitinį prietaisą, patikrinkite, ar:

1. Šaldytuvo vidus yra sausas, o galinėje dalyje oras laisvai cirkuliuoja?



2. Galite sumontuoti 2 plastikinius pleištus, kaip parodyta paveikslėlyje. Platsmasiniai pleištai užtikrins, kad šaldytuvus būtų pastatytas tinkamu atstumu nuo sienos, ir už jo galėtų laisvai cirkuliuoti oras. (Pateiktas paveikslėlis tėra pavyzdys, kuris nebūtinai tiksliai atitinka jūsų įsigyta gaminį.)
3. Vidų valykite vadovaudamiesi nurodymais, pateiktais skyriuje „Techninė priežiūra ir valymas“.
4. Pradėjus veikti kompresoriui, išgirsite nestiprius garsus. Ar kompresorius veikia, ar ne, šaldytuvo sistemoje hermetiškai uždarytas skystis ir dujos taip pat gali kelti silpnus garsus – tai visiškai normalu.
5. Priekiniai šaldytuvo kraštai gali išilti. Tai normalu. Šios vietos turi būti šiltos tam, kad nesusidarytų kondensacija.

Elektros prijungimas

Prijunkite gaminį prie įžeminto lizdo su tinkamos kategorijos saugikliu.

Svarbu

- Elektros prijungimą būtina atlikti atsižvelgiant į savo šalies reglamentus.
- Atlikus elektros instaliaciją, maitinimo laidų kištukas turi būti lengvai pasiekiamas.
- Nurodytas įtampos stiprumas turi būti toks pat, kaip ir maitinimo tinklo įtampos stiprumas.
- Prijungimui negalima naudoti ilginimo laidų ir daugiaskylių kištukų.

⚠ Pažeistą maitinimo laidą privalo pakeisti kvalifikuotas elektrikas.

⚠ Negalima naudoti buitinio prietaiso, kol nebus pataisytas jo laidas! Kyla elektros smūgio pavojus!

Pakuotės išmetimas

Pakavimo medžiagos gali kelti pavojų vaikams. Laikykite pakavimo medžiagas vaikams nepasiekiamoje vietoje arba išmeskite jas, išrūšiuodami pagal atliekų rūšiavimo nurodymus. Neišmeskite pakavimo medžiagų kartu su kitomis buitinėmis atliekomis.

Šaldytuvo pakavimo medžiagos yra pagamintos iš pakartotinai panaudojamų medžiagų.

Seno šaldytuvo išmetimas

Seną šaldytuvą išmeskite taip, kad nebūtų daroma žala aplinkai.

- Kaip išmesti šį šaldytuvą, galite sužinoti iš savo įgaliotojo pardavimo atstovo arba savo savivaldybės atliekų surinkimo punkte.

Prieš išmesdami šaldytuvą, nupjaukite elektros kištuką ir, jei durys turi kokių nors užraktų, sugadinkite juos, kad nekiltų pavojų vaikams.

Pastatymas ir instaliacija

⚠ Jei patalpos, kurioje bus įrengiamas šaldytuvus, įėjimas nėra pakankamai platus, kad pro jį būtų galima įnešti šaldytuvą, iškvieskite įgaliotus aptarnavimo darbuotojus, kad jie nuimtų šaldytuvo dureles ir jį pro įėjimą įneštų šonu.

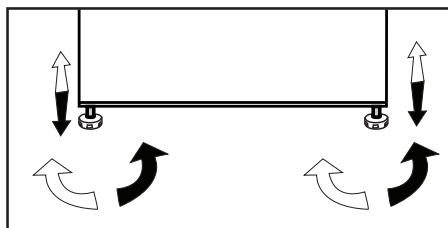
1. Šaldytuvą įrenkite tokioje vietoje, kur jį būtų lengva eksploatuoti.
2. Šaldytuvą statykite atokiai nuo šilumos šaltinių, drėgnų vietų ir tiesioginių saulės spindulių.
3. Tam, kad šaldytuvus efektyviai veiktų, aplink jį turi būti tinkama oro ventilacija. Jei šaldytuvą reikia statyti sienos nišoje, nuo šaldytuvo iki lubų ir iki sienų turi būti mažiausiai 5 cm tarpas. Jei ant grindų patiestas kilimas, šį gaminį virš grindų būtina pakelti 2,5 cm.
4. Tam, kad nekiltų vibracija, šaldytuvą statykite ant lygaus grindų paviršiaus.

4 Paruošimas

- Šaldytuvą reikia įrengti mažiausiai 30 cm atstumu nuo šilumos šaltinių, pavyzdžiui, viryklės viršaus, orkaitių, centrinio šildymo radiatorių bei viryklių, ir mažiausiai 5 cm atstumu nuo elektrinių orkaitių; nestatykite jo tiesioginiuose saulės spinduliuose.
- Patalpos, kur įrengiamas šaldytuvas, aplinkos temperatūra turi būti ne žemesnė negu 10°C. Šaldytuvo nerekomenduojama eksploatuoti esant žemesnei temperatūrai, nes jo veikimo efektyvumas taps prastesnis.
- Rūpinkitės šaldytuvo vidaus švara.
- Jei du šaldytuvai įrengiami vienas šalia kito, tarp jų turi būti mažiausiai 2 cm atstumas.
- Šaldytuvą pradėję eksploatuoti pirmą kartą, pirmąsias šešias valandas prašom paaisyti tokių instrukcijų:
- Nedarinėkite dažnai durelių.
- Šiuo periodu šaldytuve turi nebūti maisto produktų.
- Neiškinkite šaldytuvo iš maitinimo tinklo. Jei nutrūktų elektros tiekimas, žr. skyriuje „Kokių veiksmų imtis prieš išskviečiant įgaliotus aptarnavimo specialistus“ pateiktus įspėjimus.
- Originalias pakuotės medžiagas ir pustpalstį derėtų saugoti ateičiai, jei šaldytuvą prireiktų transportuoti arba perkelti.
- Kai kuriuose modeliuose instrumentų skydelis automatiškai išsijungs po 5 minučių po to, kai uždarysite dureles. Vėl skydelis įsijungs atidarius dureles arba paspaudus bet kurį mygtuką.
- Dėl temperatūros pokyčių atidarant / uždarant veikiančio gaminio dureles, ant durelių / korpuso lentynų ir stiklo indelių gali susidaryti kondensatas, ir tai yra normalu.

Kojelių reguliavimas

Jei šaldytuvas stovi nelygiai; jį galite išlyginti sukdami priekines kojeles, kaip pavaizduota toliau esančiame paveikslėlyje. Kampas, kurioje yra kojelė, nuleidžiamas kojelę sukant juodos rodyklės kryptimi ir pakeliamas kojelę sukant priešinga kryptimi. Šį darbą atlikti bus lengviau, jei ką nors pasikviesite į pagalbą, kad šiek tiek kilstelėtų šaldytuvą.



Apšvietimo lempučių pakeitimas

Jei reikia pakeisti šaldytuvo apšvietimo lempuotę, susisieki su artimiausia įgaliojama techninio aptarnavimo tarnyba.

Šajā ierīcē izmantotā lampa nav piemērota istabu apgaismojumam. Šīs lampas mērķis ir padarīt pārtikas produktu ievietošanu ledusskapī/saldētavā drošu un ērtu.

Šajā ierīcē izmantotajām lampām ir jāspēj funkcionēt ekstrēmos fiziskos apstākļos, piemēram, temperatūrā, kas nepārsniedz -20 °C.

Montavimas (po stalviršiu)

- Vidinis stalviršio aukštis turėtų būti 820 mm.

(!) Jeigu šis buitinis prietaisas montuojamas po stalviršiu, virykles arba kitus šilumos šaltinius reikia statyti virš stalviršio.

- Sieninis elektros lizdas turi būti šalia buitinio prietaiso, jo kairėje ar dešinėje pusėje.

- Nuimkite viršutinį buitinio prietaiso dangtį. Reikia išsukti 4 varžtus (2 gale ir 2 po priekiniu kraštu).

1 pav.

- Nupjaukite paveikslėlyje parodytą dalį, tuomet nuimkite ją replėmis.

- Pastatykite buitinį prietaisą po stalviršiu ir reguliuokite priekines kojeles, kol prietaiso viršus sieks stalviršį.

Norint pastatyti šį prietaisą po stalviršiu, tart sienos ir žymės, esančios viršutinėje plastmasinėje prijungimo dalyje, turi būti mažiausiai 595 mm.

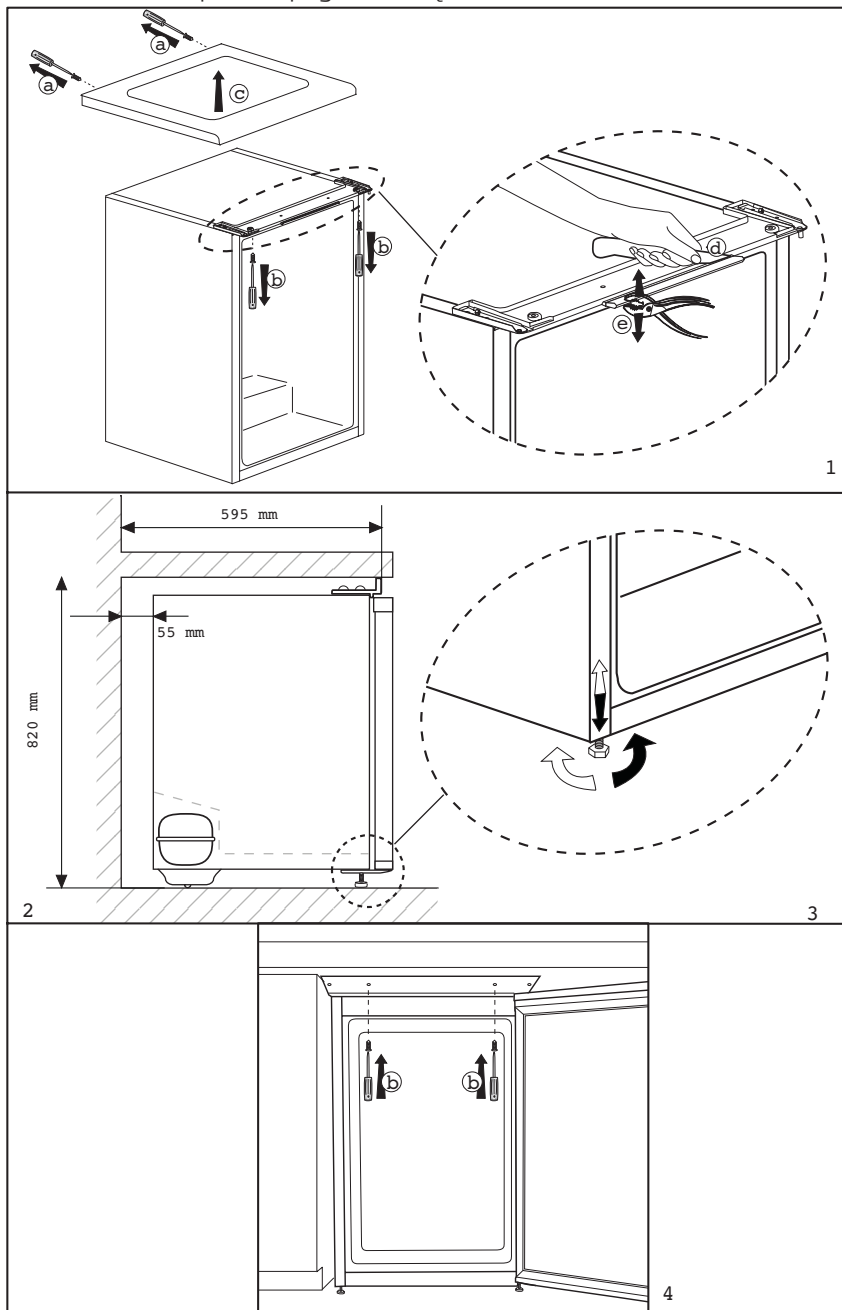
Pav. 2-3

- Įtaisykite buitinį prietaisą po stalviršiu ir prisukite jį 2 varžtais, išsuktais iš viršutinio dangčio. (Stalviršis turi būti padarytas iš plastmasės arba medienos!)

4 pav.

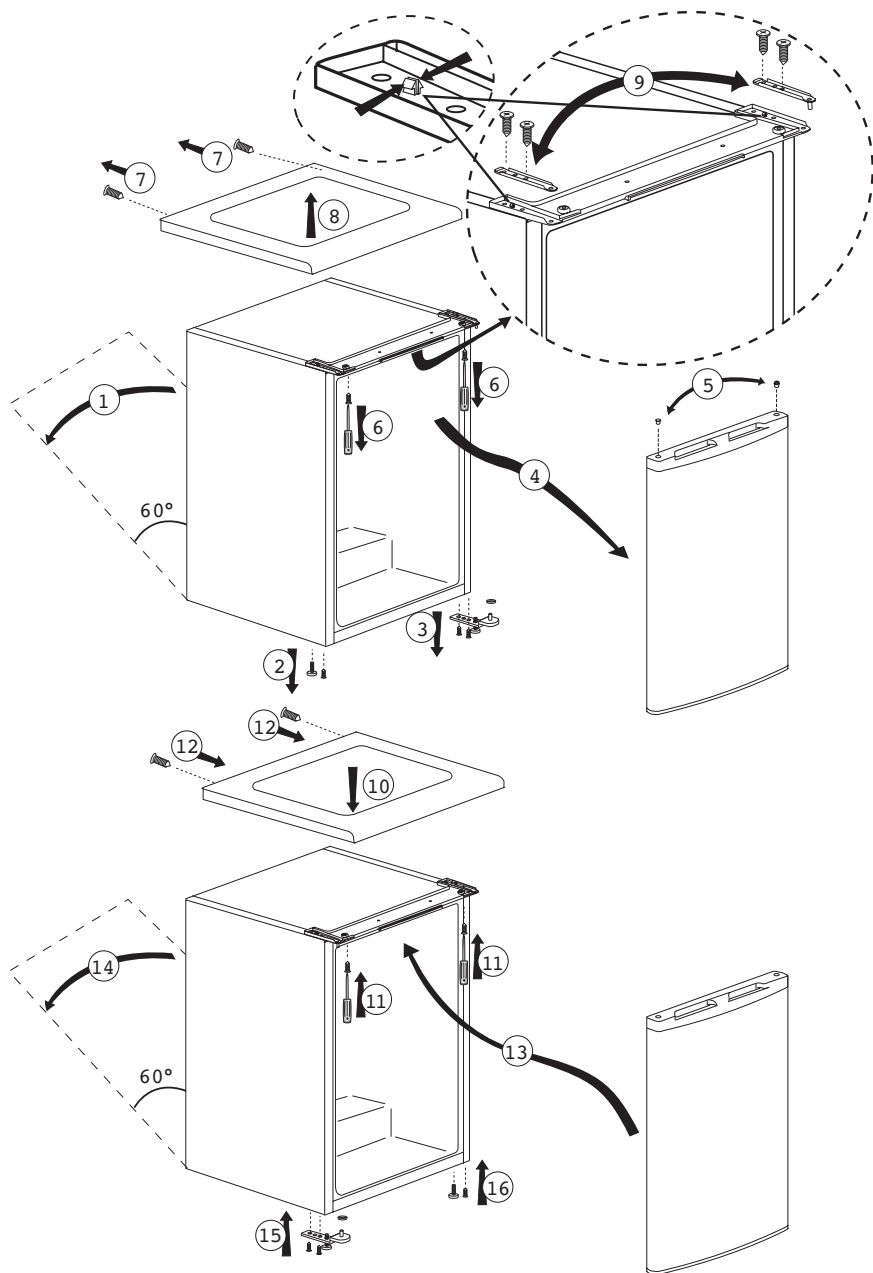
Durų perstatymas

Veiksmus atlikite paeiliui pagal numerį



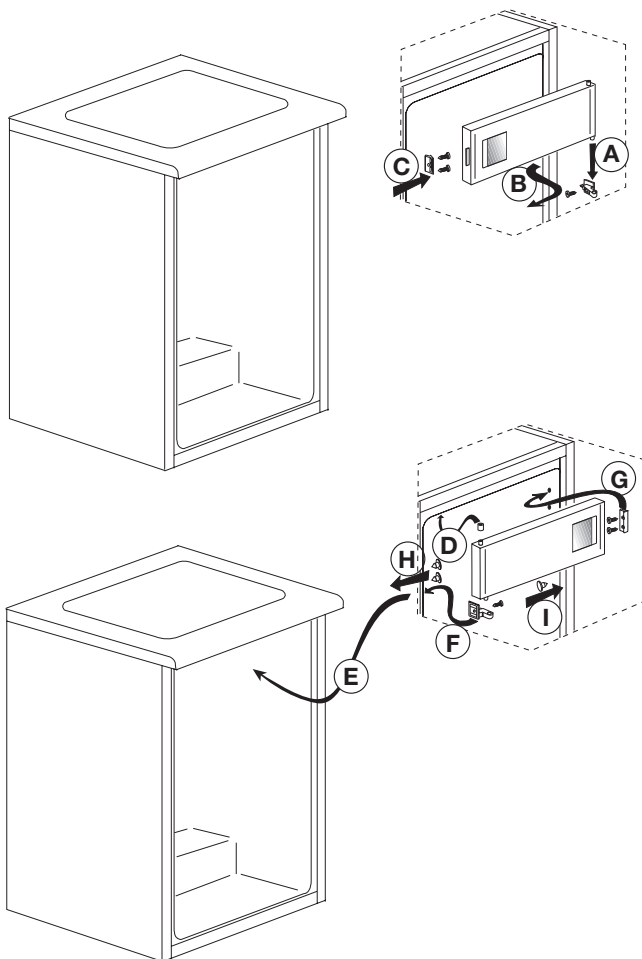
Durų perstatymas

Veiksmus atlikite paeiliui pagal numerį

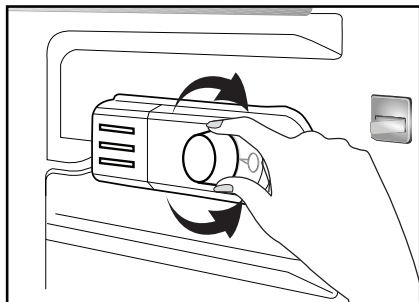


Durų perstatymas

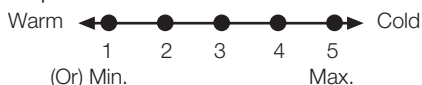
Veiksmus atlikite paeiliui pagal numerį



5 Šaldytuvo eksploatavimas



Veikimo temperatūrą reguliuoja temperatūros valdiklis.



1 = mažiausio šaldymo nuostata (šilčiausios temperatūros nuostata)

5 = didžiausio šaldymo nuostata (šalčiausios temperatūros nuostata)

(arba)

Min. = mažiausia aušinimo nuostata (šilčiausios temperatūros nuostata)

Max. = aukščiausia aušinimo nuostata (šalčiausios temperatūros nuostata)

Vidutinė temperatūra šaldytuvo viduje turėtų būti maždaug +5 °C.

Nuostatą pasirinkite pagal pageidaujamą temperatūrą.

Prietaiso veikimą išjungsite termostato rankenėlę nustatę į padėtį „0“.

Įsidėmėkite, kad šaldymo srityje bus skirtingos temperatūros.

Šalčiausia sritis yra iš karto virš daržovių skyriaus.

Vidaus temperatūra taip pat priklauso nuo aplinkos temperatūros, durelių atidarinėjimo dažnio ir viduje laikomo maisto kiekio.

Dažnai atidarinėjant dureles vidaus temperatūra kyla.

Dėl šios priežasties rekomenduojama uždaryti dureles kaip įmanoma greičiau po naudojimo.

Užšaldymas

Maisto užšaldymas

Šaldymo skyrius pažymėtas šiuo simboliu

Prietaisą galite naudoti šviežio maisto užšaldymui ir atšaldyto maisto saugojimui.

Vadovaukitės ant maisto įpakavimų esančiais nurodymais.

• Dėmesio

Neužšaldykite putojančių gėrimų, nes skysčiui užšalus butelis gali sprogti.

Atsargiai elkitės su užšaldytais produktais, pavyzdžiui, spalvotais ledo gabalėliais.

Nevirykite buitinio prietaiso galingumo, nustatyto 24 val. Žr. kategorijos plokštelę.

Siekiant išlaikyti maisto kokybę, užšaldyti reikia kaip įmanoma greičiau.

Taip neviršysite užšaldymo galingumo ir šaldiklio temperatūra nepakils.

• Dėmesio

Giliai užšaldytą maistą visuomet laikykite atskirai nuo naujai įdėto maisto.

Kai giliai užšaldytas maistas vėsta, kompresorius veikia tol, kol maistas visiškai neužšąla. Tai gali laikinai padidinti šaldytuvo skyriaus vėsinimą.

Nereikia nerimauti, jei ką tik uždarę šaldiklio duris, negalite jų lengvai atidaryti. Tai nutinka dėl spaudimo skirtumo, kuris susivienodina, ir po kelių minučių duris galima lengvai atidaryti.

Vos uždarę duris, išgirsite sandarinimo garsą. Tai visiškai normalu

Ledo kubelių gaminimas

Pripilkite į ledo padėklą 3/4 vandens ir įdėkite jį į šaldiklį.

Kai tik vanduo užšąla, išimkite ledo kubelius.

Ledo kubeliams išimti niekada nenaudokite aštrių daiktų, pavyzdžiui, peilių arba šakučių. Rizikuojate susižeisti!

Vietoj to leiskite ledo kubeliams truputį atitirpti arba trumpam padėklo dugną panardinkite į karštą vandenį.

Šaldytų maisto produktų laikymas

Užšaldyto maisto skyrius pažymėtas simboliu (**).

Užšaldyto maisto skyriuje galima laikyti iš anksto užšaldytą maistą. Visada reikia paisyti ant maisto produktų įpakavimų nurodytų maisto laikymo rekomendacijų.

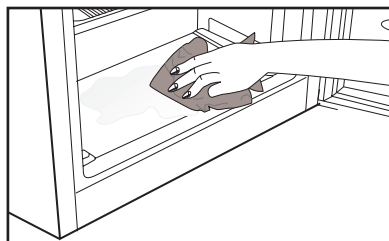
Buitinio prietaiso atitirpdymas

Jei prietaise susikaups pernelyg daug ledo, jis gali pradėti prasčiau šaldyti.

Todėl rekomenduojama mažiausiai du kartus per metus arba ledo sankaupoms viršijus 7 mm prietaisą atšildyti.

Prietaisą atšildykite tik tada, kai jame yra mažai maisto produktų arba jų visiškai nėra.

Išimkite giliai užšaldytus maisto produktus. Giliai užšaldytus produktus suvyniokite į kelis popieriaus sluoksnius arba antklodę ir juos laikykite vėsioje vietoje.



Ištraukite prietaiso laido kištuką arba išjunkite arba išimkite saugiklius, kad pradėtųmėte atšildymo procesą.

Iš prietaiso išimkite priedus (lentynas, stalčių ir kt.); naudokite tinkamą indą vandeniui surinkti.

Jei reikia, atitirpusį vandenį šaldymo skyriuje **❄️❄️❄️** ir užšaldyto maisto skyriuje **❄️❄️** surinkite kempine arba minkštu audeklu.

Atšildymo metu duris palikite atidarytas.

Atšildymas vyks greičiau, jei į prietaisą įdėsite kelis indus su šiltu vandeniu.

Ledui pašalinti niekada nenaudokite elektros prietaisų, atšildymo purškaly, smailių arba aštrių daiktų, pavyzdžiui, peilių ar šakučių.

Prietaisui visiškai atšilus, išvalykite jo vidų

Prietaisą vėl prijunkite prie elektros tinklo. Užšaldytus maisto produktus sudėkite į stalčius ir juos sukirkite į šaldiklį.

Aušinimas

Maisto saugojimas

Šaldytuvo skyrius skirtas trumpam šviežio maisto ir gėrimų saugojimui.

Pieno produktus laikykite atskirame šaldytuvo skyriuje.

Butelius galite laikyti butelių laikiklyje arba durelėse esančioje butelių lentynoje.

Žalią mėsą geriausia laikyti polietileniniame maišelyje, pačioje žemiausioje šaldytuvo lentynoje.

Prieš dėdami maisto produktus ir gėrimus į šaldytuvą, ataušinkite juos iki kambario temperatūros.

• Dėmesio

Koncentruotą alkoholį laikykite tik stipriai uždengtame, stovinčiame inde.

• Dėmesio

Prietaise nelaikykite sprogstančių medžiagų arba taros su degiasiomis sprogstančiomis dujomis (kremo skardinėse, purškaly skardinių ir taip toliau).

Kyla sprogimo pavojus.

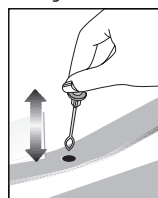
Buitinio prietaiso atitirpymas

Šaldytuvo skyrius atšyla automatiškai. Atšilęs vanduo per drenažo vamzdelį teka į buitinio prietaiso gale esantį surinkimo rezervuarą.

Atšildymo metu dėl garintuvo ant šaldytuvo galinės dalies gali susidaryti vandens lašelių.

Jei nuteka ne visi lašeliai, pasibaigus atitirpymui jie gali vėl užšalti. Juos nuvalykite šiltu vandeniu sudrėkintu minkštu audiniu. Nenaudokite kietų arba aštrių daiktų.

Kartkartėmis patikrinkite nutekancio vandens srautą. Kartais jis gali nenutekėti. Užsikimšimą išvalykite naudodami vamzdžių valymo arba panašią priemonę.



6 Techninė priežiūra ir valymas

- ⚠ Valymui niekada nenaudokite benzino, benzolo arba panašių medžiagų.
- ⚠ Prieš valymą rekomenduojama išjungti buitinį prietaisą iš maitinimo tinklo.
- ❗ Valymui niekada nenaudokite aštrių abrazyvinių įrankių, muilo, buitinio valiklio, skalbimo priemonių ar vaško poliravimui.
- ❗ Ne „Be šerkšno“ tipo gaminiuose šaldytuvui vėstant, ant vidinės galinės šaldytuvo skyriaus sienelės gali susidaryti vandens lašų ir šerkšnas. Nevalykite jo, niekuomet netepkite aliejumi ar panašiomis medžiagomis.
- ❗ Tik šiek tiek drėgnu mikropluošto audiniu valykite gaminio išorinę. Kempinėmis ar kitokiais valymo audiniais galite subraižyti paviršius.
- ❗ Buitinio prietaiso skyrių nuvalykite drungnu vandeniu, o po to sausai iššluostykite.
- ❗ Šaldytuvo vidui valyti naudokite drėgną nuspaustą skudurėlį, sudrėkintą tirpale, pagamintame ištirpinus vieną arbatinį šaukštelį sodos (bikarbonato) vienoje pintoje (0,57 litro) vandens; po to sausai iššluostykite.
- ⚠ Žiūrėkite, kad į lemputės korpusą ir kitus elektros elementus nepatektų vandens.
- ⚠ Jeigu ketinate ilgam nenaudoti buitinio prietaiso, išjunkite jį ir išimkite visą maistą, išvalykite jį ir palikite dureles pravertas.
- ❗ Reguliariai patikrinkite, ar durelių tarpikliai yra švarūs ir ant jų nėra maisto dalelių.
- ❗ Norėdami ištraukti durelių lentynas, išimkite visus daiktus ir po to paprasčiausiai patraukite durelių lentyną į viršų nuo pagrindo.
- ❗ Valydami išorinius prietaiso paviršius bei chromu padengtas dalis, niekada nenaudokite valymo medžiagų ar vandens su chloru. Chloras sukelia tokių metalinių paviršių koroziją.
- ❗ Nenaudokite aštrių, braižančių įrankių, muilo, buitinių valiklių, ploviklių, žibalo, degalų alyvos, lako ir pan., kad nesideformuotų ir nenusiluptų dažų sluoksnis nuo plastikinių dalių. Nuvalykite su drungnu vandeniu ir minkšta šluoste ir sausai nušluostykite.

Plastikinių paviršių apsauga

- ❗ Į šaldytuvą nedėkite skysto aliejaus ar aliejuje virto maisto neuždarytuose induose, nes tokie produktai pažeis šaldytuvo plastikinius paviršius. Jei aliejus išsilieja ant plastikinių paviršių arba juos sutepa, užterštą vietą iš karto nuvalykite ir nuplaukite šiltu vandeniu.

7 Rekomenduojami problemų sprendimo būdai

Prieš kreipdamiesi į aptarnavimo tarnybą, prašom peržiūrėti šį sąrašą. Taip sutaupysite laiko ir pinigų. Šiame sąraše pateikiamos dažniausiai pasitaikančios problemos, kurios nėra susijusios su pagaminimo arba naudojamų medžiagų broku. Kai kurių čia aprašytų funkcijų jūsų įsigytame gaminyje gali nebūti.

Šaldytuvas neveikia.

- Ar tinkamai įkištas šaldytuvo laido kištukas? Įkiškite kištuką į sieninį lizdą.
- Ar neperdegė lizdo, į kurį yra įjungtas šaldytuvas, saugiklis arba maitinimo tinklo saugiklis? Patikrinkite saugiklį.

Kondensacija ant šaldytuvo skyriaus šoninių sienų. (MULTI ZONE, COOL CONTROL ir FLEXI ZONE)

- Labai žema aplinkos temperatūra. Dažnai atidaromos ir uždaromos durelės. Didelis aplinkos drėgnumas. Neuždarytuose induose laikomi skysti maisto produktai. Durelės buvo paliktos atidarytos.
- Nustatykite žemesnę termostato temperatūrą.
- Trumpiau laikykite dureles atviras arba jas rečiau darinėkite.
- Tinkamomis medžiagomis uždenkite atviruose induose laikomus maisto produktus.
- Susidariusius lašelius nuvalykite sausu skudurėliu ir patikrinkite, ar jie vėl susidaro.

Neveikia kompresorius.

- Įvykus staigiam energijos tiekimo pertrūkiui, iššoks kompresoriaus terminis saugiklis, arba, jei šaldytuvo slėgis aušinamojoje sistemoje nesubalansuotas, įsijungia išjungiklis.
- Šaldytuvas pradės veikti maždaug po 6 minučių. Jei praėjus šiam periodui šaldytuvas neįsijungia, kreipkitės į aptarnavimo tarnybą.
- Vyksta aldytuvo atsildymo ciklas. Tai normalus visikai automatinio atsildymo aldytuvo veikimas. Atsildymo ciklas vyksta periodikai.
- Šaldytuvo laido kištukas neįkištas į lizdą. Patikrinkite, ar kištukas gerai įkištas į sieninį lizdą.
- Ar nustatyta teisinga temperatūra? Įvyko energijos tiekimo pertrūkis. Kreipkitės į elektros tiekimo įmonę.

Šaldytuvas dažnai įsijungia arba ilgą laiką veikia.
<ul style="list-style-type: none"> • Gali būti, kad jūsų naujasis šaldytuvas platesnis už ankstesnįjį. Tai visiškai normalu Dideli šaldytuvai veikia ilgesnį laiką. • Gali būti, kad patalpoje yra aukšta temperatūra. Tai visiškai normalu. • Gali būti, kad šaldytuvas neseniai prijungtas arba jį neseniai sudėta maisto produktų. Visiškas šaldytuvo atvėsimas gali trukti pora valandų ilgiau. • Gali būti, kad į šaldytuvą neseniai įdėta daug karštų maisto produktų. Įdėjus karštų maisto produktų, šaldytuvas veikia ilgiau, t.y. tol, kol produktai atvėsina iki saugaus laikymo temperatūros. • Gali būti, kad buvo dažnai atidarinėjamos durelės arba jos buvo ilgą laiką paliktos atidarytos. Į šaldytuvą pateko šilto oro, todėl šaldytuvas ilgiau veikia. Rečiau atidarinkite dureles. • Gali būti, kad šaldiklio arba šaldytuvo skyriaus durelės buvo paliktos atidarytos. Patikrinkite, ar gerai uždarėte dureles. • Šaldytuve nustatyta labai žema temperatūra. Nustatykite aukštesnę šaldytuvo temperatūrą ir palaukite, kol ši temperatūra bus pasiekta. • Gali būti, kad užsiteršė, susidėvėjo, buvo pažeistas arba blogai priglunda šaldytuvo arba šaldiklio durelių tarpiklis. Tarpiklį nuvalykite arba pakeiskite. Dėl pažeisto tarpiklio šaldytuvas ilgiau veikia, kad būtų palaikoma esama temperatūra.
Šaldiklio temperatūra labai žema, tačiau šaldytuvo skyriaus temperatūra normali.
<ul style="list-style-type: none"> • Šaldiklyje nustatyta labai žema temperatūra. Nustatykite aukštesnę šaldiklio temperatūrą ir patikrinkite.

Šaldytuvo temperatūra labai žema, tačiau šaldiklio skyriaus temperatūra normali.
<ul style="list-style-type: none"> • Šaldytuve nustatyta labai žema temperatūra. Nustatykite aukštesnę šaldytuvo temperatūrą ir patikrinkite.
Šaldytuvo skyriaus stalčiuose laikomi maisto produktai sušąla.
<ul style="list-style-type: none"> • Šaldytuve nustatyta labai žema temperatūra. Nustatykite aukštesnę šaldytuvo temperatūrą ir patikrinkite.
Temperatūra šaldytuve arba šaldiklyje labai aukšta.
<ul style="list-style-type: none"> • Šaldytuve nustatyta labai aukšta temperatūra. Šaldytuvo temperatūros nuostata daro poveikį šaldiklio temperatūrai. Nustatykite tokią šaldytuvo arba šaldiklio temperatūrą, kad ji būtų reikiamo lygio. • Gali būti, kad durelės paliktos atidarytos. Dureles gerai uždarykite. • Gali būti, kad į šaldytuvą neseniai įdėta daug karštų maisto produktų. Palaukite, kol šaldytuve arba šaldiklyje bus pasiekta norima temperatūra. • Gali būti, kad šaldytuvas neseniai buvo prijungtas. Šaldytuvas yra didelis, todėl jis visiškai atvėsta praėjus tam tikram laikui.
Iš šaldytuvo sklinda garsai, primenantys mechaninio laikrodžio sekundžių tiksėjimą.
<ul style="list-style-type: none"> • Šis garsų skleidžia šaldytuvo solenoidinis vožtuvas. Solenoidinio vožtuvo funkcija - užtikrinti, kad šaldytuvo skyriuje cirkuluotų aušinimo skystis; šis vožtuvas leidžia nustatyti aušinimą arba šaldymą bei vykdyti aušinimo funkcijas. Tai visiškai normalu ir nėra gedimas.

Šaldytuvui pradėjus veikti, jis veikia triukšmingai.

- Šio šaldytumo darbo našumo savybės gali kisti, priklausomai nuo aplinkos temperatūros pokyčių. Tai normalu ir nėra gedimas.

Vibracija arba triukšmas.

- Nelygios arba silpnos grindys. Šaldytuvą lėtai judinamas linguoja. Grindys turi būti lygios, pakankamai tvirtos, kad išlaikytų šaldytuvą.

- Triukšmą gali kelti ant šaldytuvo sudėti daiktai. Tokius daiktus reikėtų nuimti nuo šaldytuvo viršaus.

Garsai, panašūs į skysčio ištekėjimą arba purškimą.

- Šaldytuvą veikia jo viduje cirkuliuojant skysčio ir dujų srautams. Tai normalu ir nėra gedimas.

Girdimas garsas, kyg vėjas pūstų.

- Norint, kad šaldytuvą veiksmingai šaldytų, jame naudojami oro srauto aktyviekilai (ventiliatoriai). Tai normalu ir nėra gedimas.

Kondensacija ant vidinių šaldytuvo sienų.

- Apledėjimas ir kondensacija didėja esant karštam ir drėgnam orui. Tai normalu ir nėra gedimas.

- Atidarytos durelės. Patikrinkite, ar visiškai uždarėte šaldytuvo duris.

- Gali būti, kad durelės buvo dažnai darinėjamos arba jos ilgą laiką buvo paliktos atidarytos. Rečiau atidarinkite dureles.

Ant šaldytuvo išorės arba tarp durelių susidaro drėgmės.

- Gali būti, kad oras labai drėgnas. Esant drėgnam orui tai visiškai normalu. Sumažėjus drėgnumui, kondensacija nesusidarys.

Šaldytuve sklinda prastas kvapas.

- Reikia išvalyti šaldytuvo vidų. Šaldytuvo vidų išvalykite naudodami kempinę, šiltą arba prisotintą angliarūgštės vandenį.

- Gali būti, kad kvapą išskiria kai kurie indai arba pakuotės medžiagos. Naudokite kitą indą arba kitokios rūšies pakavimo medžiagą.

Durelės neužsidaro.

- Gali būti, kad durims neleidžia užsidaryti maisto produktų pakuotės. Pakuotes, kurios trukdo durelėms užsidaryti, padėkite į kitą vietą.

- Gali būti, kad šaldytuvą nelygiai stovi ant grindų, todėl nesmarkiai jį stumtelėjus, jis gali judėti. Sureguliuokite aukščio reguliavimo varžtus.

- Nelygios arba netvirtos grindys. Grindys turi būti lygios ir pakankamai tvirtos, kad išlaikytų šaldytuvą.

Užstringa stalčiai.

- Gali būti, kad maisto produktai liečia stalčiaus stogą. Pertvarkykite stalčiuje esančius maisto produktus.

Jeigu Gaminio Paviršius Yra Karštas.

- Gaminio veikiant sritis tarp dviejų durelių, šonai ir galinės grotelės gali įkaisti. Tai normalu ir nereikalauja atlikti techninės priežiūros!

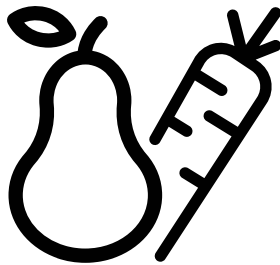


Hűtőszekrény
Használati útmutató

Frigorífico
Manual do Utilizador

Refrigerador
Manual del usuario

Külmik
Kasutusjuhend



TSE1284N



HU / PT / ES / ET

58 4198 0000/AB
4/6

Kérjük, előbb olvassa el a használati útmutatót!

Tisztelt Vásárló!

Bízunk benne, hogy termékünk, mely egy modern gyárban készült, és a legaprólékosabb minőségirányítási eljárások alapján lett tesztelve, hatékony szolgáltatást fog biztosítani az Ön számára.




Ehhez azt javasoljuk, hogy használat előtt alaposan olvassa el a teljes használati útmutatót, és azt ne dobja ki, mert a jövőben még szüksége lehet rá.

Ez a használati útmutató

- Segít a készüléket gyors és biztonságos módon használni.
 - A termék beszerelése és használata előtt olvassa el a használati útmutatót.
 - Tartsa be az utasításokat, főleg azokat, melyek a biztonságra vonatkozó információkat.
 - A használati útmutatót tartsa olyan helyen, ahol a jövőben könnyen hozzá tud férni.
 - Olvassa el a többi dokumentumot is, melyet a termékhez kapott.
- Ne feledje, ez a használati útmutató más modellekre is érvényes lehet.

Szimbólumok és leírásuk

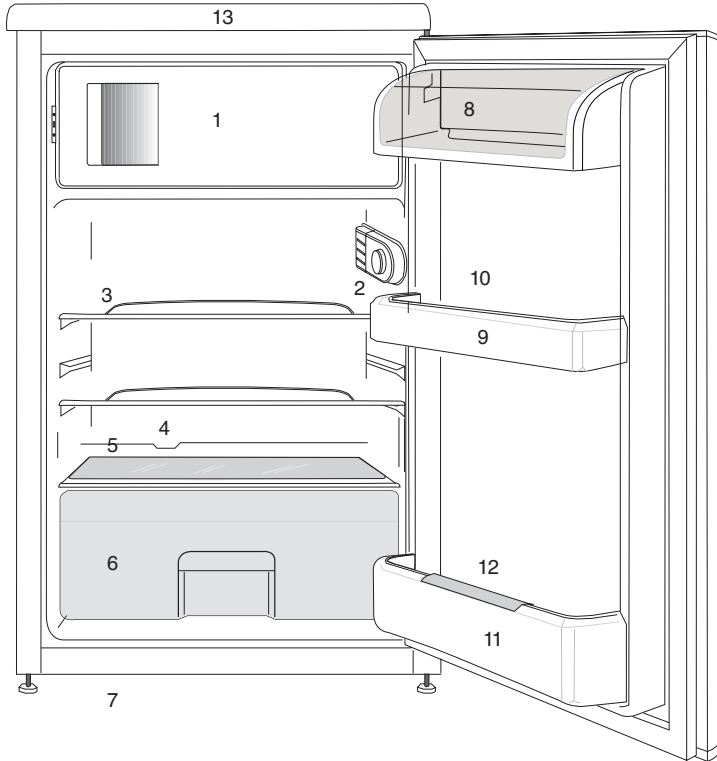
Ez a használati útmutató a következő szimbólumokat tartalmazza:

-  Fontos információ vagy hasznos tippek.
-  Figyelmeztetés élet vagy tulajdonra veszélyes körülményekre.
-  Figyelmeztetés elektromos feszültség miatt.

TARTALOMJEGYZÉK

1 Hűtőszekrénye	4	4 Előkészületek	14
2 Fontos biztonsági figyelmeztetések	5	Az ajtónyitás megfordítása.....	16
Rendeltetésszerű használat.....	5	5 A hűtőszekrény használata	18
Vízadagolóval ellátott termékek esetén;.....	8	Fagyasztás	18
Gyermekbiztonság.....	9	Ételek fagyasztása	18
A WEEE-irányelvnek való megfelelés és a hulladék termék megsemmisítése:	9	Jégkocka-készítés.....	19
Az RoHS-irányelvnek való megfelelés:	9	Fagyasztott étel tárolása	19
Csomagolásra vonatkozó információ	9	A készülék kiolvasztása	19
HC Figyelmeztetés.....	9	Hűtés.....	20
Az energiatakarékosság jegyében teendő lépések.....	10	Ételek tárolása.....	20
3 Beüzemelés	11	A készülék kiolvasztása	20
A hűtő szállításakor figyelembe veendő dolgok	11	6 Karbantartás és tisztítás	21
A hűtő üzembe helyezése előtt	11	A műanyag felületek védelme	21
Elektromos összeköttetés.....	11	7A problémák javasolt megoldása	22
A csomagolás leselejtezése.....	12		
A régi hűtő leselejtezése.....	12		
Elhelyezés és üzembe helyezés.....	12		
Tartólábak	13		
A lámpa cseréje	13		
Beszereles (pult alá).....	13		

1 Hűtőszekrény



1. a.) Fagyasztó rekeszek & jégkocka tartó (❄️❄️❄️ modellekhez)
b.) Fagyasztott étel rekeszek & jégkocka tartó (❄️❄️ modellekhez)
2. Belső világítás és termosztát gomb
3. Mozgatható polcok
4. Leolvasztott víz összegyűjtő csatorna - ürítőcső
5. Fiókfedő
6. Salátásrekesz
7. Állítható első lábak
8. Tejtermék rekesz
9. Ajtópolcok
10. Tojástartó
11. Üvegtartó polc
12. Üvegbefogó
13. Hűtő teteje

📖 A használati útmutatóban található képek szemléltető jellegűek, nem a valódi terméket ábrázolják. Amennyiben olyan részeket talál, melyek nem találhatók meg, az Ön által megvásárolt termékben, akkor azok más modellekre vonatkoznak.

2 Fontos biztonsági figyelmeztetések

Kérjük, olvassa el az alábbi információkat. A következő információk figyelmen kívül hagyása sérüléseket vagy anyagi károkat okozhat. Az eredeti alkatrészeket a termék vásárlásától számított 10 évig szállítjuk.

Rendeltetésszerű használat

⚠	FIGYELEM: Hagyja szabadon a készülék és a beépített rendszerek szellőzőnyílásait.
⚠	FIGYELEM: Ne használjon mechanikus berendezéseket vagy egyéb eszközöket a kiolvasztás felgyorsításához, mint amelyeket a gyártó ajánlott.
⚠	FIGYELEM: Ne okozzon sérülést a hűtőkörön.
⚠	FIGYELEM: Ne használjon a gyártó ajánlásain kívüli elektromos berendezéseket a készülék élelmiszer tároló részlegeiben.

FIGYELMEZTETÉS:

⚠ Ne tároljon a készülékben gyúlékony anyagokat, pl. aeroszolos dobozokat.

A készülék kizárólag otthoni és hasonló körülmények közötti használatra való, mint pl.:

- üzletek, irodák és egyéb munkahelyek személyzeti konyhája;
- farmházak és a hotelek, motelek és egyéb lakójellegű környezetek;
- szállásadó szolgáltatók;
- étkeztetési szolgáltatók és hasonló nem üzleti alkalmazások.

Általános tudnivalók

- A termék leselejtezésével/ kidobásával kapcsolatban kérjük, érdeklődjön a hivatalos szolgáltatónál.
- A hűtővel kapcsolatos kérdésekkel és problémákkal kérjük, forduljon a hivatalos szervizhez. Saját maga, ill. nem hivatásos személyek nem javíthatják a hűtőt a hivatalos szerviz tájékoztatása nélkül.
- Fagyasztóval ellátott termék esetén; A fagyasztóból kivéve ne egye meg azonnal a jégkrémet vagy a jégkockákat! (Ez fagyási sérülést okozhat a szájban.)
- Fagyasztóval ellátott termékek esetén; Soha ne helyezzen a fagyasztóba helyezzen

üveges vagy kannás italokat. A fagyasztóban ezek megrepedhetnek.

- A fagyott ételeket ne fogja meg kézzel, mert hozzáragadhatnak a kezéhez.
- A tisztítás vagy leolvasztás előtt húzza ki a hűtőszekrényt.
- Permetes tisztítószerrel sose használjon a hűtő tisztításánál. Ez ugyanis rövidzárlatot vagy áramütést okozhat a hűtő elektromos alkatrészeivel való érintkezéskor.
- Soha ne használja a hűtő egyes elemeit, például az ajtót támasztékként vagy lépcsőként.
- Ne helyezzen el elektromos készüléket a hűtőben.
- Ne rongálja meg azon alkatrészeket, ahol a hűtőfolyadék áramlik, fúró vagy vágó eszközökkel. A párologtató gázvezetékeinek, a csőtoldalékok vagy a csőburkolatok megsérülésekor kifröccsenő hűtőfolyadék bőrirritációt és szemsérülést okoz.
- A hűtő szellőzőnyílásait ne takarja le vagy tömje be semmivel.
- Az elektromos berendezéseket kizárólag engedéllyel rendelkező személyek javíthatják. Az inkompetens személyek által elvégzett javítások veszélyforrást jelenthetnek.
- Meghibásodás, ill.

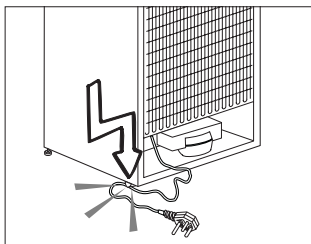
karbantartási vagy javítási munkálatok során válassza le a hűtőt az elektromos hálózatról a megfelelő biztosíték kikapcsolásával vagy a készülék kihúzásával.

- A hűtőt a dugónál fogva húzza ki a konnektorból.
- Gondoskodjon róla, hogy a magas alkoholtartalmú italok biztonságosan legyenek tárolva lezárt kupakkal, függőlegesen elhelyezve.
- Soha ne tároljon a hűtőben gyúlékony vagy robbanó anyagokat tartalmazó spray dobozokat.
- A leolvasztás felgyorsításához csak a gyártó által ajánlott mechanikus eszközöket vagy egyéb módszereket használjon.
- A készüléket nem használhatják fizikai, érzékszervi vagy mentális rendellenességben szenvedő, vagy képzetlen/tapasztalatlan emberek (ideértve a gyermekeket is), kivéve, ha az ilyen személy felügyeletét valamilyen, annak biztonságáért felelős személy látja el, illetve ez a személy a készülék használatára vonatkozóan útmutatást biztosít.
- Ha a hűtő sérült, ne használja azt. Amennyiben kérdése van, konzultáljon valamilyik szervizessel.
- A hűtő elektromos biztonsága csak akkor biztosított, ha lakása földelőrendszere

megfelel az előírásoknak.

- Ne tegye ki a terméket esőnek, hónak, napsütésnek vagy szélnek, mert ez kárt tehet a termék elektromos rendszerében.
- A sérülések elkerülése érdekében, sérült tápkábel esetén vegye fel a kapcsolatot a hivatalos szervizzel.
- Beszerelés közben ne dugja be a hűtőt a konnektorba. Ellenkező esetben súlyos vagy halálos sérülést szenvedhet.
- A hűtőszekrény csak élelmiszerek tárolására használható. Egyéb célra nem használható.
- A címke és a műszaki adatok leírása a hűtőszekrény belsejében, a bal oldali falon található.
- Soha ne csatlakoztassa a hűtőszekrényt energiamegtakarító rendszerhez; ezek kárt tehetnek a hűtőszekrényben.
- Amennyiben kék fény világít a hűtőszekrényen, pusztán szemmel vagy optikai eszközökkel ne nézzen sokáig a kék fénybe.
- A manuálisan szabályozott hűtőszekrényeknél az áramszünet után legalább 5 percet várjon a hűtőszekrény bekapcsolása előtt.
- A termék új tulajdonosnak történő átadásakor a ne feledje átadni a kézikönyvet is.

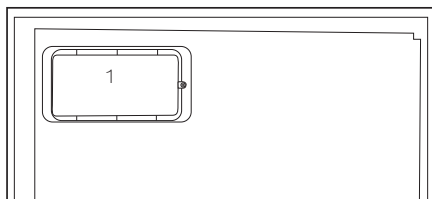
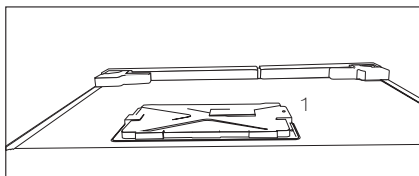
- A hűtőszekrény szállításakor vigyázzon, nehogy kárt tegyen a tápkábelben. A kábel meghajlítása tüzet okozhat. Soha ne helyezzen nehéz tárgyakat a tápkábelre. A készülék bedugásakor soha ne fogja meg nedves kézzel a dugót.



- A hűtőszekrényt ne csatlakoztassa laza konnektorba.
- Biztonsági okokból soha ne fújjon folyadékot a készülék belső vagy külső részeire.
- Ne fújjon ki gyúlékony anyagokat, pl. propán gáz, stb. a hűtőszekrény közelében, mert tűz keletkezhet, vagy felrobbanhat.
- Soha ne helyezzen vízzel töltött tárgyakat a hűtőszekrény tetejére, mert azok áramütést vagy tüzet okozhatnak.
- Soha ne terhelje túl a hűtőszekrényt túlzottan sok étellel. Túlterhelés esetén az élelmiszerek leeshetnek és kárt tehetnek a hűtőszekrényben az ajtó kinyitásakor. Soha ne helyezzen tárgyakat a hűtőszekrény tetejére;

ellenkező esetben ezek a tárgyak az ajtó kinyitásakor vagy becsukásakor leeshetnek.

- Mivel ezek precíz teljesítményszabályozást igényelnek, a gyógyszerek, a hőérzékeny orvosságok és kutatási anyagok stb. nem tárolhatók a hűtőszekrényben.
- Amennyiben hosszú ideig nem használja, húzza ki a hűtőszekrényt. A tápkábel hibája tüzet okozhat.
- Amennyiben a beállítható lábak nincsenek megfelelően beállítva, a hűtő billeghet. Az állítható lábak megfelelő rögzítése megakadályozhatja a billegést.
- A hűtőszekrény szállításakor soha ne emelje fel a fogantyúnál fogva. A fogantyú letörhet.
- Amennyiben a terméket egy másik hűtőszekrény vagy fagyasztó mellé helyezi, a két készülék közt legalább 8 cm helyet kell hagynia. Ellenkező esetben a szomszédos falak bepárasodhatnak.
- Soha ne használja a terméket, ha a termék tetején vagy a hátoldalán található, belsejében nyomtatott áramkört tartalmazó elektronikus szakasz nyitva van (elektronikus nyomtatott áramkör fedél) (1).



Vízadagolóval ellátott termékek esetén;

- A hideg víz max. bemeneti nyomása 90 psi (620 kPa). Ha a víz nyomása meghaladja a 80 psi (550 kPa) értéket, használjon egy nyomáscsökkentő szelepet a vízhálózaton. Ja nem tudja ellenőrizni a víz nyomását, kérje egy vízvezeték-szerelő segítségét.
- Ha fennáll a vízkalapács effektus kockázata a hálózatában, akkor mindig használjon egy vízkalapács effektust gátló berendezést. Ha nem biztos abban, hogy nincs vízkalapács effektus a hálózatában, akkor forduljon vízvezeték-szerelőhöz.
- Ne telepítse meleg víz bemenetre. Tegyen óvintézkedéseket a vezetékek elfagyásának megelőzése érdekében. A víz üzemi hőmérséklete min. 33°F (0,6°C) és max. 100°F (38°C) legyen.

- Kizárólag ivóvizet használjon.

Gyermekbiztonság

- Amennyiben az ajtó zárral is rendelkezik, a kulcsot tartsa távol a gyermekektől.
- A gyermekeket folyamatosan felügyelni kell, hogy ne babráljanak a termékkel.

A WEEE-irányelvnek való megfelelés és a hulladék termék megsemmisítése:



A termék megfelel az uniós WEEE-irányelv (2012/19/EU) követelményeinek.

A terméken megtalálható az elektromos és elektronikus hulladékok besorolására vonatkozó szimbólum (WEEE).

A terméket magas minőségű alkatrészekből és anyagokból állították elő, amelyek ismételten felhasználhatók és alkalmasak újrahasznosításra. A hulladék terméket annak élettartamának végén ne a szokásos háztartási vagy egyéb hulladékkal együtt selejtezze le. Vigye el azt egy az elektromos és elektronikus berendezések újrahasznosítására szakosodott begyűjtőhelyre. A begyűjtőhelyek kapcsán kérjük, tájékozódjon a helyi hatóságoknál.

Az RoHS-irányelvnek való megfelelés:

Az Ön által megvásárolt termék megfelel az uniós RoHS-irányelv (2011/65/EU) követelményeinek. A termék nem tartalmaz az irányelvben meghatározott káros vagy tiltott anyagokat.

Csomagolásra vonatkozó információ

A termék csomagolóanyagai, a nemzeti környezetvédelmi előírásokkal összhangban, újrahasznosított anyagokból készültek. A csomagolóanyagokat ne a háztartási vagy egyéb hulladékokkal együtt dobja ki! Vigye el azokat a helyi hatóságok által e célból kijelölt csomagolóanyag-begyűjtő pontokra.

HC Figyelmeztetés

Amennyiben a termék R600a hűtőrendszerrel rendelkezik:

Ez a gáz gyúlékony. Ennek következtében figyeljen oda, hogy szállítás és használat közben ne tegyen kárt a hűtőrendszerben. Sérülés esetén tartsa távol a terméket a lehetséges tűzforrásoktól, melynek hatására a készülék begyulladhat, továbbá folyamatosan szellőztesse a szobát, ahol a készüléket elhelyezte.

Hagyja figyelmen kívül ezt a figyelmeztetést, amennyiben a hűtőrendszer R134a hűtőközeget használ.

A termékben használt gáz típusát a hűtőszekrény belsejében, a bal oldali falon találja.

Soha ne égesse el a terméket.

Az energiatakarékosság jegyében teendő lépések

- Ne hagyja sokáig nyitva a hűtő ajtaját.
- Ne tegyen meleg ételt vagy italt a hűtőbe.
- Csak annyi ételt/italt tegyen a hűtőbe, hogy az ne akadályozza a levegő cirkulációt.
- Ne helyezze a hűtőt olyan helyre, ahol azt közvetlen napsütés éri, vagy ahol a közelben hőforrás van (pl. sütő, mosogatógép vagy radiátor).
- Ügyeljen rá, hogy az ételeket zárt edényben tárolja a hűtőben.
- Fagyasztórekeszrel ellátott termékek esetén; Akkor tárolhat maximális mennyiségű élelmiszert a hűtőszekrényben, ha eltávolítja a polcokat vagy a fagyasztó fiókját. Az energiafogyasztást úgy határozták meg, hogy eltávolították a fagyasztó

polcait és fiókjait, és a fagyasztót telepakolták. A polc vagy a fiók használata esetén, az élelmiszerek kisebb mérete miatt nem áll fenn az élelmiszerek megfagyásának veszélye.

- A fagyasztott élelmiszer hűtőszekrényben történő felolvasztása energiát takarít meg, és megőrzi az étel minőségét.

3 Beüzemelés

⚠ Felhívjuk rá figyelmét, hogy a gyártó nem vállal felelősséget a jelen útmutatóban foglalt információk figyelmen kívül hagyása miatt bekövetkező károkért.

A hűtő szállításakor figyelembe veendő dolgok

1. Szállítás előtt ürítse ki és tisztítsa ki a hűtőt.
2. A hűtő becsomagolása előtt a polcokat, kiegészítőket, fiókokat stb. rögzíteni kell szigszalaggal.
3. A csomagolást szigszalaggal és erős madzaggal össze kell fogni, és a csomagoláson feltüntetett szabályokat be kell tartani.

Nem feledje...

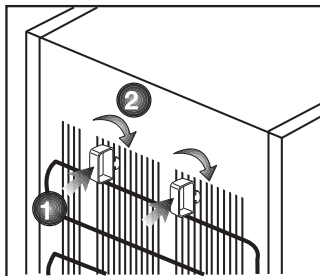
Minden újrahasznosított anyag nélkülözhetetlen a természet és nemzeti erőforrásaink számára.

Amennyiben szeretne részt venni a csomagolóanyagok újrahasznosításában, további információkat a környezetvédelmi szervektől vagy a helyi hatóságoktól szerezhet.

A hűtő üzembe helyezése előtt

A hűtő használatbavétele előtt ellenőrizze az alábbiakat:

1. A hűtő belseje száraz és a levegő szabadon tud áramolni a hátsó részén.
2. A képen látható módon szerelje fel a 2 műanyag éket. A műanyag ékek segítenek megtartani a szükséges távolságot a hűtő és a fal között, és



így a levegő szabadon tud áramolni. (A kép csak illusztráció, és nem feltétlenül tükrözi az Ön hűtőjét.)

3. A hűtőszekrény belsejét a "Karbantartás és tisztítás" c. fejezetben foglaltak szerint tisztítsa.
4. Dugja be a hűtőt a konnektorba. Ha az ajtó nyitva van, a hűtő belső világítása bekapcsol.
5. Hangot fog hallani, amint a kompresszor beindul. A hűtőrendszerben lévő folyadékok és gázok hangja akkor is hallható, ha a kompresszor nem üzemel.
6. Lehetséges, hogy a hűtő elülső éleit melegnek érzi. Ez normális jelenség. Ezek a részek azért melegednek fel, hogy így elejét vegyék a páralecsapódásnak.

Elektromos összeköttetés

A terméket egy olyan földelt aljzathoz csatlakoztassa, mely el van látva megfelelő teljesítményű biztosítékkal.

Fontos:

- A csatlakozásnak meg kell felelnie az országos normáknak.
- Ügyeljen rá, hogy a tápkábel könnyen hozzáférhető legyen a hűtő elhelyezése után.

- A meghatározott feszültség értéknek meg kell egyeznie a hálózati feszültség értékével.
- Hosszabbítót és elosztót ne használjon.

⚠ A sérült tápkábel cseréjét bízva szakemberre.

⚠ A terméket hibásan ne üzemeltesse! Ilyenkor ugyanis áramütés veszélye áll fenn!

A csomagolás leselejtezése

A csomagolóanyagok veszélyt jelenthetnek a gyermekekre nézve. Ezért tartsa a csomagolóanyagokat gyermekektől távol, vagy selejtezze le azokat a hulladékokra vonatkozó utasítások szerint. A csomagolóanyagokat ne háztartási hulladékként kezelje.

A hűtő csomagolóanyaga újrahasznosítható anyagokból készült.

A régi hűtő leselejtezése

A régi hűtőt úgy selejtezze le, hogy ezzel ne okozzon kárt a környezetnek.

- A hűtő leselejtezésével kapcsolatban bővebb információt a hivatalos márkakereskedésekben ill. a hulladékgyűjtő központokban kaphat.

A hűtő leselejtezése előtt vágja el a tápkábelt, tegye használhatatlanná az ajtón lévő zárat (ha van), hogy a gyermekeket ne érhesse baj.

Elhelyezés és üzembe helyezés

⚠ Amennyiben a hűtőszekrény tárolására kijelölt szoba ajtaja nem elég széles, a hűtők ajtajainak eltávolításához hívja ki a hivatalos szervizt.

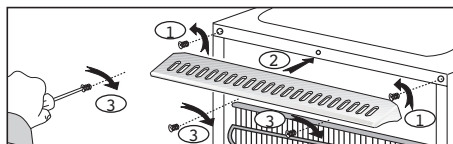
1. A hűtőszekrényt könnyen hozzáférhető helyre helyezze.

2. Tartsa távol a hűtőszekrényt a hőforrásoktól, a nedves helyektől és a közvetlen napsütéstől.

3. A hatékony működés érdekében a hűtőszekrényt egy jól szellőző helyen kell elhelyezni. Amennyiben a hűtőszekrényt egy falı bemélyedésbe helyezi be, a készülék körül minden irányból legalább 5 cm helyet kell hagyni. **Amennyiben a padló szőnyeggel van letakarva, a terméket 2,5 cm-rel meg kell emelni.**

4. A rázkódások elkerülése érdekében a hűtőszekrényt egy egyenletes padlón helyezze el.

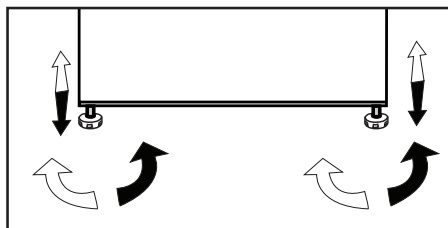
Ha készüléke egy légráccsal van felszerelve, kérjük nézze meg az útmutatót a légrács telepítéséhez.



Tartólábak

Ha a hűtő dülöngél:

A hűtő stabilizálásához csavarja el az elülső lábakat az ábrán látható módon. A láb a fekete nyíl irányába csavarva lejjebb ereszkedik, míg az ellenkező irányba tekerve megemelkedik. A műveletet kényelmes elvégzéséhez két emberre van szükség.



A lámpa cseréje

A hűtőszekrény lámpájának cseréjéhez, kérjük, hívja fel a szakszervizt.

A készülékben lévő lámpa/lámpák háztartásban lévő helyiségek megvilágítására nem alkalmas/alkalmasak. A lámpa rendeltetése, hogy segítse a felhasználót az élelmiszerek hűtőszekrénybe/fagyasztószekrénybe való gyors és biztonságos behelyezésében.

A készülékben használt lámpáknak extrém környezeti hatásokat kell kibírniuk, mint pl. a -20°C hőmérséklet.

Beszerezés (pult alá)

- A pult belmagassága legyen 820mm.

(!) Ha a készüléket behelyezte a pult alá, tűhelyt vagy más hőforrásokat ne tegyen a pult fölé.

- A fali konnektor legyen közel a készülékhez, annak bal vagy jobb oldalán.

- Távolítsa el a hűtőszekrény felső burkolatát. 4 csavart kell eltávolítani (2 csavar található hátul és 2 az elülső perem alatt).

1. ábra

- Vágja le a részt, ahogy a képen látható, majd távolítsa el azt egy harapófogó segítségével.

- Helyezze a készüléket a pult alá, és állítsa olyan magasságban az elülső lábakat, hogy a annak teteje elérje a pultot.

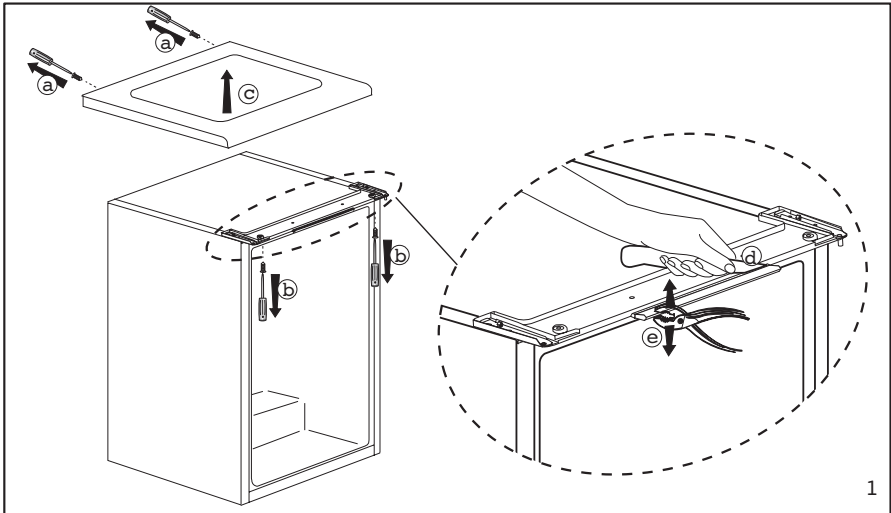
Ahhoz hogy a terméket a pult alatt használja, a fal és a felső műanyag csatlakozó között legyen minimum 595 mm távolság.

2-3. ábra

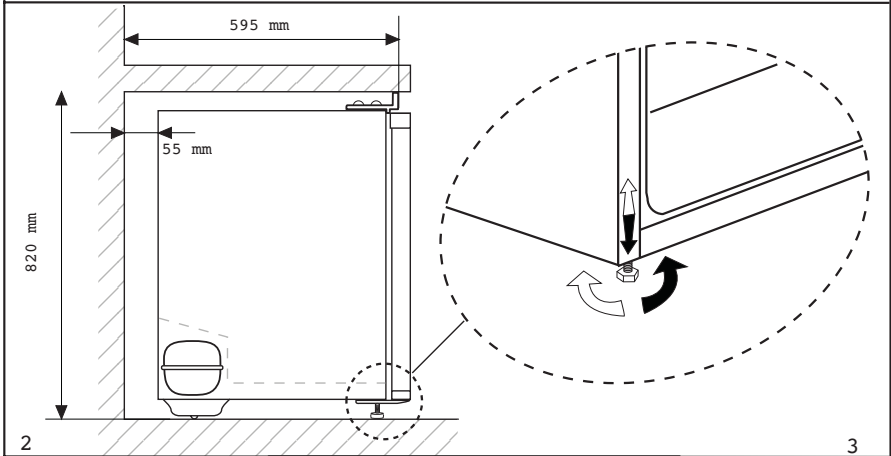
- Rögzítse a készüléket a pult alá azzal a 2 csavarral, amelyiket eltávolította a fedélről.

4. ábra

- A hűtőt legalább 30 cm-re kell elhelyezni minden hőforrástól (pl. kandalló, sütő, főzőlap), és legalább 5 cm-re az elektromos sütőktől. Ezenkívül óvni kell a közvetlen napsütéstől is.
- A helyiségben, ahol a hűtőt kívánja helyezni, legalább 10 °C-os hőmérsékletnek kell lennie. Ennél hűvösebb helyen a hűtő optimális működését nem tudjuk garantálni.
- Kérjük, ügyeljen rá, hogy a hűtő belseje alaposan meg legyen tisztítva.
- Ha két hűtőt kíván egymás mellett elhelyezni, kérjük, hagyjon legalább 2 cm helyet közöttük.
- A hűtő első beüzemelésekor kérjük, tartsa be az alábbiakat az első hat óra alatt.
 - Ne nyitogassa gyakran az ajtót.
 - Ne tegyen ételt a hűtőbe.
 - Ne húzza ki a hűtőt.Áramkimaradás esetén kérjük, tekintse meg az "Problémák javasolt megoldása" c. részt.
- A hűtőrekeszhez tartozó kosarakat/ fiókokat mindig használni kell az alacsony energiafogyasztás és a jobb tárolási feltételek biztosítása érdekében.
- A fagyasztórekeszben lévő hőmérsékletérzékelővel érintkező ételek növelhetik a berendezés energiafogyasztását. Ezért kerülni kell az érzékelővel/érzékelőkkel való érintkezést.
- Őrizze meg az eredeti csomagolást, hogy a későbbiekben tudja miben szállítani a hűtőt.
- Néhány modell esetében a műszerfal automatikusan kikapcsol az ajtó bezárása után 5 perccel. Újra bekapcsol, ha kinyílik az ajtó vagy lenyom egy gombot.
- A készülék ajtajának működés közbeni kinyitásakor/bezsukásakor a hőmérséklet-ingadozás miatt lecsapódás keletkezhet az ajtón/ polcokon és üvegtárolókon. Ez normális.

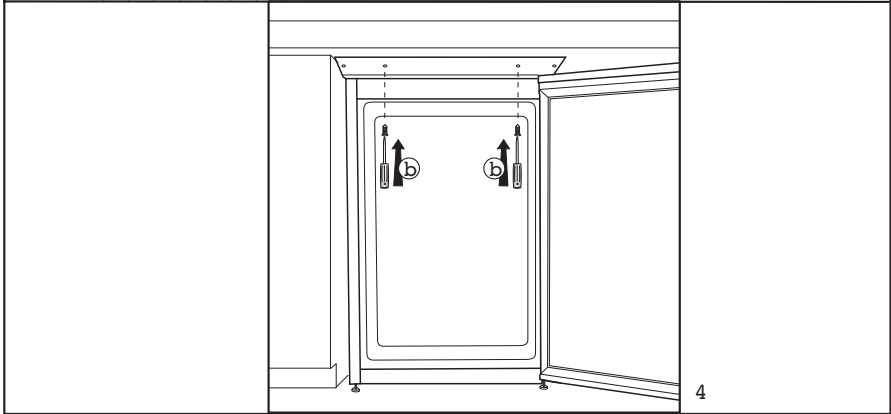


1



2

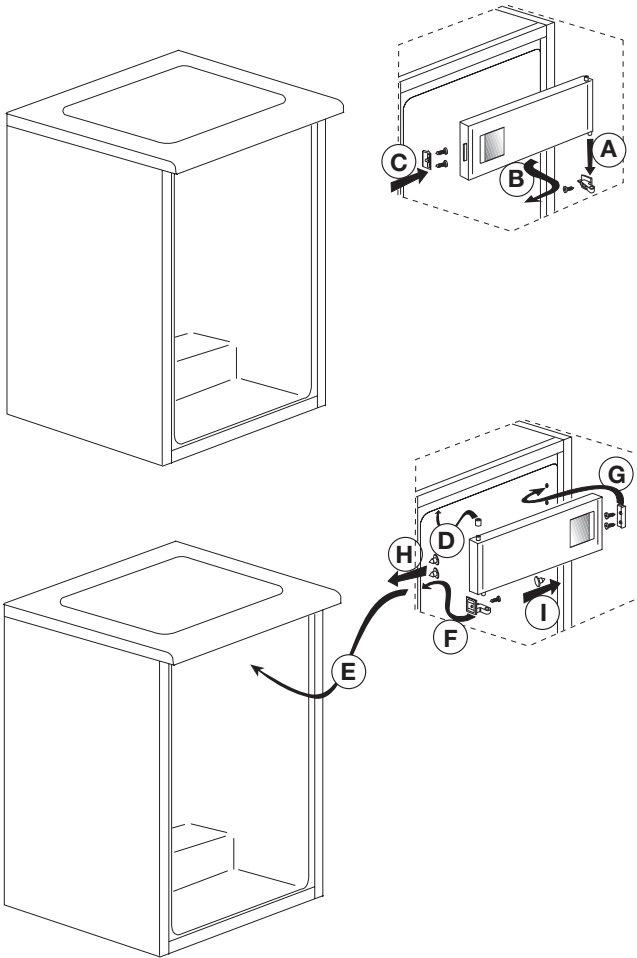
3

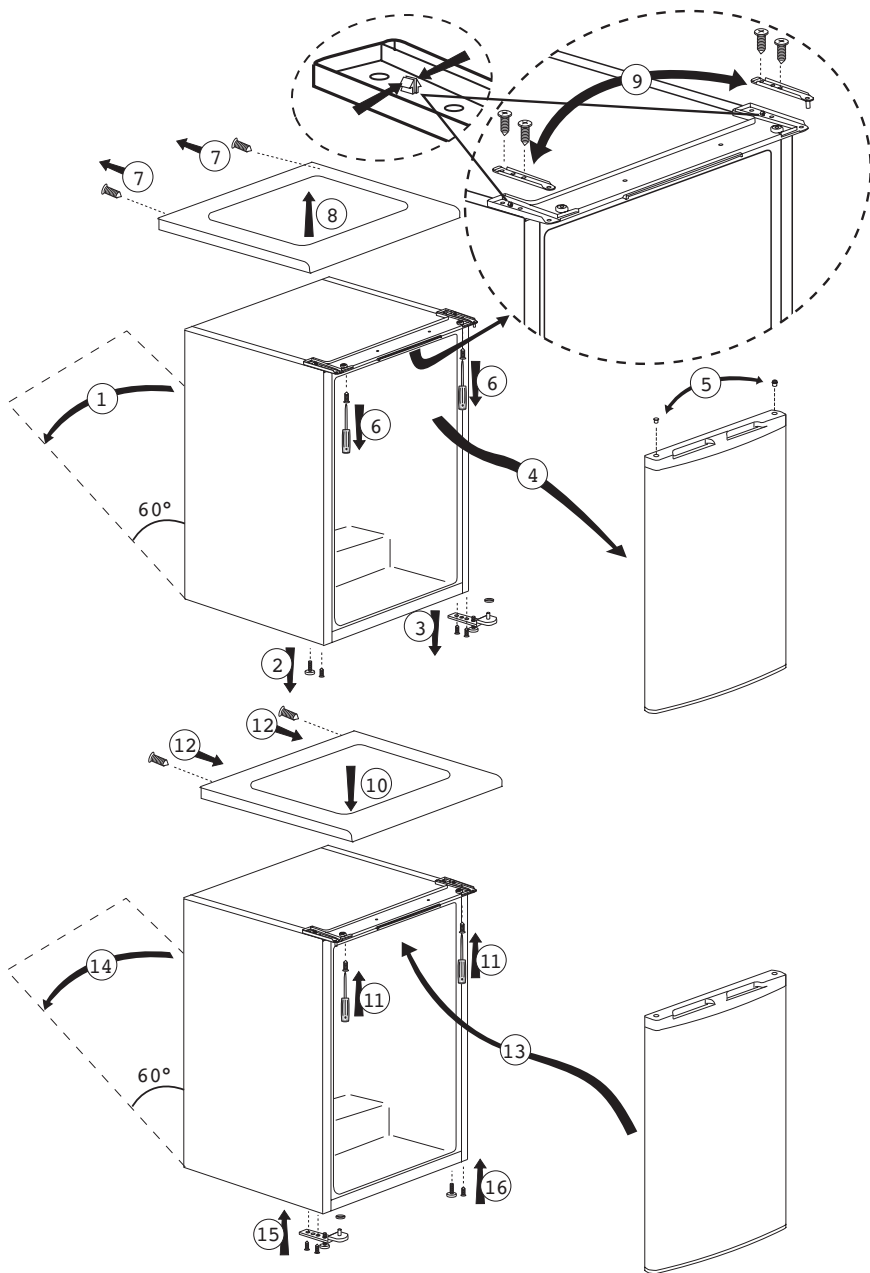


4

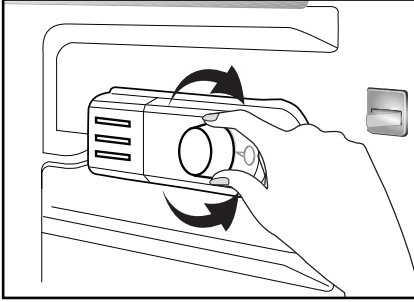
Az ajtónyitás megfordítása

A lépéseket számsorrendben végezze el.

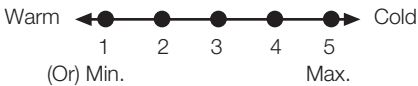




5 A hűtőszekrény használata



A működési hőmérsékletet a hőmérséklet szabályozó szabályozza.



1 = Legalacsonyabb hűtési beállítás (Legmelegebb beállítás)
5 = Legmagasabb hűtési beállítás (Leghidegebb beállítás)

(Vagy)

Min. = Legalacsonyabb hűtési beállítás

(Legmelegebb beállítás)

Max. = Legmagasabb hűtési beállítás

(Leghidegebb beállítás)

A hűtőszekrény átlagos belső hőmérsékletének $+5^{\circ}\text{C}$ kell lennie.

Kérjük ellenőrizze a beállításokat a kívánt hőmérsékletnek megfelelően.

A készülék műveletét megszakíthatja a termosztát "0" pozícióba való forgatásával.

Vegye figyelembe, hogy különböző hőmérséklet található a hűtési területen.

A leghidegebb tartomány a zöldségtartó rekesz fölött található.

Abelsőhőmérséklet függ a környezeti hőmérséklettől, az intenzitástól, hányszor nyitja ki az ajtót, és a bent levő ételek összességétől.

A rendszeres nyitogatás miatt a hőmérséklet emelkedik.

Ezért, használat után mindig csukja be az ajtót.

Fagyasztás

Ételek fagyasztása

A fagyasztó részt a  szimbólum jelzi.

Használhatja a készüléket friss ételek lefagyasztására, valamint előfagyasztott ételek tárolására.

Kérjük olvassa le az étel csomagolásán levő tárolásra vonatkozó ajánlásokat.

• Figyelem

Ne fagyasszon le szénsavas üdítőket, mert a palack szétrobbanhat, ha a folyadék megfagy.

Legyen óvatos az olyan fagyasztott termékekkel, mint pl. a színezett jégkockák.

Ne lépje túl 24 órán belül a készülék fagyasztókapacitását. Lásd a típustáblázatot.

Az étel minőségének megőrzése érdekében, a fagyasztást olyan gyorsan kell végrehajtani, amilyen gyorsan csak lehet.

Így nem lépi túl a fagyasztókapacitást és a fagyasztó hőmérséklete sem emelkedik.

• Figyelem

Mindig tartsakülön a mélyfagyasztott ételt a frissen behelyezett ételektől.

Ha meleg ételt szeretne mélyfagyasztani, a hűtőkompresszor addig működik, amíg az étel teljesen meg nem fagy. Ez ideiglenesen a hűtőrekesz túlzott lehűléséhez vezethet.

Ne aggódjon, ha nehezen tudja kinyitni a fagyasztó ajtaját, miután éppen becsukta azt. Ez a nyomáskülönbség miatt van, amely néhány perc múlva ismét lehetővé teszi az ajtó könnyű újrainyitását, mivel kiegyenlítődik.

Az ajtó becsukását követően egy vákuum hangot fog hallani. Ez teljesen normális jelenség.

Jégkocka-készítés


Töltse meg a jégkocka-tartót 3/4-ig vízzel és helyezze a fagyasztóba.

Miután a víz jéggé fagyott, kiveheti a jégkockákat.

Ne használjon a jég eltávolításához éles tárgyakat, pl. kést vagy villát. Ez ugyanis sérülésveszélyes.

Inkább hagyja felolvadni a jégkockákat vagy rövid időre mártsa meleg vízbe a jégkocka-tartó hátulját.

Fagyasztott étel tárolása

A mélyfagyasztott ételek rekeszt a  szimbólum jelzi.

A mélyfagyasztott ételek rekesz alkalmas előfagyasztott ételek tárolására. Az ajánlott tárolásért mindenkor figyelembe kell venni az étel csomagolásán meghatározottakat.

A készülék kiolvasztása

A túlzott jéglerakódás befolyásolja a fagyasztási teljesítményt.

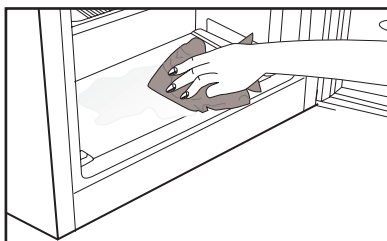
Legalább évente kétszer engedje le a készüléket, illetve ha a jégfelrakódás vastagsága meghaladja a 7mm-t.


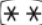
Akkor engedje le a készüléket, ha kevés étel van benne, vagy egyáltalán nincs benne semmi.

Vegye ki a mélyfagyasztott ételeket. Csomagolja be a mélyfagyasztott ételeket papírba vagy takaróba és tegye őket hideg helyre.

Áramtalanítsa vagy kapcsolja ki a árammegszakítót a leengedési folyamat elindításához.

Vegye ki a kiegészítőket (polcok, fiókok, stb.) a készülékből, és használjon megfelelő gyűjtőt a leolvadt víz összegyűjtésére.



Szükség esetén használjon szivacsot vagy puha törülőkendőt a leolvadt víz eltávolításához a fagyasztórekeszben  és fagyasztott-étel rekesz .

Az ajtót hagyja nyitva a leolvasztás alatt.

A gyorsabb leengedés érdekében helyezzen meleg vízzel töltött edényt a készülékbe.

A jég eltávolítására soha ne használjon különböző spray-eket, éles tárgyakat, mint pl. kés vagy villa.

A leolvasztás után tisztítsa meg belülről.

Most már ismét csatlakoztathatja a készüléket a konnektorba. Tegye a fagyasztott ételeket a fiókba és csúsztassa a fiókot a fagyasztóba.

Hűtés

Ételek tárolása

A hűtőszekrény rekesze támogatja a friss ételek és italok rövidtávú tárolását.

A tejtermékeket tartsa az erre a célra kialakított rekeszben.

Az üvegeket az üvegtartóban vagy az ajtón található üvegpolcon tartsa.

A nyers húst polietilén zacskóban tárolja a rekeszben, a hűtő legalján.

Az italokat és meleg ételeket hagyja lehűlni szobahőmérsékletre, csak ezután rakja be a hűtőbe.

• Figyelem

Tömény alkoholt csak függőleges helyzetben tároljon, és az üveg kupakja legyen jól elzárva.

• Figyelem

Ne tároljon robbanásveszélyes anyagokat vagy éghető hajtógázokat (krémes dobozok, spray dobozok stb.) a készülékben.

Robbanásveszélyes.

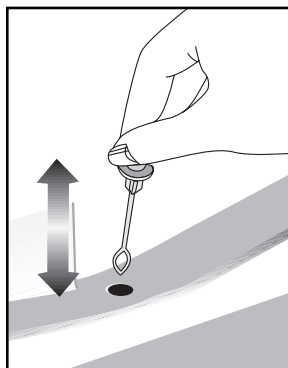
A készülék kiolvasztása

A hűtőrekesz automatikusan felenged. A kiolvasztott víz a lefolyócsőhöz fut egy a készülék hátulján található gyűjtőtartályon keresztül.

A leolvasztás során, a víz csöpögtető forma a hűtő hátoldalán gőzölöghet.

Ha nem minden csepp megy le, azok a leengedés után újra megfagynak. Távolítsa el azokat egy puha meleg vízzel megnedvesített törülőkendővel. Ne használjon éles vagy kemény tárgyakat.

Időről időre ellenőrizze a lecsöpögő vizet. Alakalomszerűen leállhat. Tisztítsa meg egy csőtisztítóval vagy egy hasonló eszközzel.



6 Karbantartás és tisztítás

- ⚠ Tisztításhoz sose használjon benzint vagy hasonló szert.
- ⚠ Tisztítás előtt célszerű kihúzni a berendezést.
- ⚠ Soha ne használjon éles, csiszoló anyagot, szappant, háztartási tisztítót, tisztítószert vagy viaszpolítúrt a tisztításhoz.
- ⚠ A nem No Frost felszereltségű termékek esetében vízcseppek és ujjnyi vastagságú jég képződhet a hűtőtér hátsó falán. Ne tisztítsa le. Soha ne kenjen rá olajat vagy hasonló szereket.
- ⚠ Kizárólag enyhén nedves mikroszálas ruhát használjon a termék külső felületének tisztítására. A szivacsok és más típusú tisztító ruhák megkarcolhatják a felületet.
- ℹ Használjon langyos vizet a hűtő belsejének tisztításához, és törölje szárazra azt.
- ℹ A belső rész tisztításához mártson egy ruhát fél liter vízbe, amelyben feloldott egy teáskanál szódbikarbónát, csavarja ki, és törölje át vele a belsőt, majd törölje szárazra.
- ⚠ Ügyeljen rá, hogy ne kerüljön víz a lámpabúrá alá ill. ne kerüljön kapcsolatba más elektromos résszel.
- ⚠ Ha a hűtőt hosszú ideig nem használják, húzza ki a konnektorból, távolítsa el minden élelmiszert, tisztítsa meg, és hagyja félig nyitva az ajtót.
- ℹ Rendszeresen ellenőrizze az ajtó tömítéseket, hogy meggyőződjön róla, hogy tiszták és ételmaradékoktól mentesek.
- ⚠ Az ajtópolcok eltávolításához vegyen ki onnan mindent, majd egyszerűen tolja fel az alapzatról.
- ⚠ A termék külső felületeinek és a krómbevonatos részek tisztításához soha ne használjon tisztítószereket vagy klórt tartalmazó vizet. A klór korróziót okoz az ilyen fémfelületeken.
- ⚠ Ne használjon éles vagy csiszoló hatású eszközöket, szappant, háztartási tisztítószereket, mosószereket, benzint, viaszt stb., mert a műanyag részokről lekopnak a nyomtatott minták és deformációt okoznak. Tisztítsa meg meleg vízzel és egy puha ruhával, majd törölje szárazra.

A műanyag felületek védelme

- ℹ Fedetlenül ne tegyen be olajat vagy olajban sült ételeket a hűtőbe, mert az olaj kárt tesz a hűtő műanyag részeiben. Amennyiben olaj kerül a műanyag felületekre, öblítse le és tisztítsa meg az adott részt langyos vízzel.

A problémák javasolt megoldása

Kérjük, mielőtt kihívná a szervizt, oldassa át a következő listát. Ezzel időt és pénzt takaríthat meg. Ez a lista azon gyakran előforduló panaszokat tartalmazza, melyek nem a hibás gyártásból vagy anyagokból erednek. Az itt ismertetett tulajdonságok közül nem mindegyik található meg az Ön készülékén.

A hűtőszekrény nem működik

- A hűtőszekrény megfelelően be van dugva? >>> *Dugja be a dugót a fali aljzatba.*
- Nem olvadt le a főbiztosíték vagy annak a konnektornak a biztosítéka, melyhez a hűtőszekrényt csatlakoztatta? >>> *Ellenőrizze a biztosítékot.*

Lecsapódás található a fagyasztó oldalfalán (MULTI ZONE, COOL, CONTROL és FLEXI ZONE).

- Nagyon hideg környezeti körülmények. >>> *A hűtőszekrényt ne telepítse -5°C alatti helyre.*
- z ajtó gyakori kinyitása és becsukása >>> *Ne nyissa ki az ajtót túl gyakran.*
- Magas páratartalmú környezet. >>> *A hűtőszekrényt ne telepítse magas páratartalmú helyre.*
- Olyan nyitott edényben lévő élelmiszer tárolása, mely folyadékot tartalmaz. >>> *A nyitott edényben tárolt élelmiszert fedje le egy megfelelő anyaggal.*
- Nyitva hagyta az ajtót. >>> *Csökkentse az időt, amíg az ajtó nyitva van.*
- A termosztát túl alacsony hőmérsékletre van állítva. >>> *Állítsa a termosztátot a megfelelő hőmérsékletre.*

A kompresszor nem működik.

- A kompresszor biztosítéka hirtelen áramkimaradások esetén kiolvadt, illetve a folyamatos árammegszakítások után a hűtőszekrény hűtő rendszere még nem került egyensúlyba. A hűtőszekrény kb. 6 perc után fog bekapcsolni. Kérjük, hívja ki a szervizt, ha a 6 perc után nem indul be a hűtőszekrény.
- A hűtőszekrény olvasztási ciklusban van. >>> *Ez egy teljesen automatikusan olvasztó hűtőszekrény esetében természetes. Az olvasztási ciklus megadott időközönként megy végbe.*
- A hűtőszekrény nincs bedugva. >>> *Győződjön meg róla, hogy a dugó megfelelően van-e csatlakoztatva a fali aljzathoz.*
- elegendőek a hőmérséklet beállítások? >>> *Válassza ki a megfelelő hőmérsékletbeállítást.*
- Áramszünet van. >>> *Az áramszünet után a termék megfelelően fog működni.*

A működés zaj a hűtő működése közben egyre hangosabb.

- A hűtőszekrény működési teljesítménye a környezeti hőmérséklet változásának függvényében változik. Ez teljesen normális, nem utal hibára.

A hűtőszekrény gyakran vagy hosszú ideig működik.

- Az új hűtőszekrénye lehet, hogy nagyobb, mint az előző. A nagyobb hűtőszekrények hosszabb ideig működnek.
- Lehet, hogy túl magas a szobahőmérséklet. >>> *Magasabb szobahőmérséklet esetén a hűtőszekrény tovább működik.*
- Előfordulhat, hogy a hűtőszekrény nem régen lett bedugva, vagy tele lett pakolva élelmiszerrel. >>> *A hűtőszekrény lehűtése ezekben az esetekben néhány órával tovább tarthat. Ez teljesen normális.*
- Nemrégiben nagy mennyiségű forró ételt helyezett a hűtőszekrénybe. >>> *Ne helyezzen forró ételt a hűtőszekrénybe.*
- Lehet, hogy az ajtók gyakran vagy hosszú ideig voltak kinyitva. >>> *Meleg levegő jutott a hűtőszekrénybe, melynek hatására a hűtőszekrény hosszabb ideig üzemel. Kevesebb alkalommal nyissa ki az ajtókat.*
- A fagyasztó vagy a hűtő rész ajtaja lehet, hogy nyitva maradt. >>> *Ellenőrizze, hogy az ajtók megfelelően be vannak-e csukva.*
- A hűtőszekrény nagyon alacsony hőmérsékletre lett állítva. >>> *Állítsa a hűtőszekrény hőmérsékletét magasabbra, és várja meg, míg eléri ezt a hőmérsékletet.*
- A hűtő ajtajának szigetelése elképzelhető, hogy koszos, kopott, törött vagy nem megfelelően van behelyezve. >>> *Tisztítsa meg, vagy cserélje ki a szigetelést. A sérült/törött szigetelés hatására a tovább ideig működik annak érdekében, hogy fenn tudja tartani az aktuális hőmérsékletet.*

A fagyasztó hőmérséklete túl alacsony, miközben a hűtő hőmérséklete megfelelő.

- A fagyasztó nagyon alacsony hőmérsékletre lett állítva. >>> *Állítsa a fagyasztó hőmérsékletét magasabbra, és ellenőrizze.*

A hűtő hőmérséklete túl alacsony, miközben a fagyasztó hőmérséklete megfelelő.

- A hűtő nagyon alacsony hőmérsékletre lett állítva. >>> *Állítsa a hűtő hőmérsékletét magasabbra, és ellenőrizze.*

A hűtő fiókjában tartott élelmiszerek magfagynak.

- A hűtő nagyon alacsony hőmérsékletre lett állítva. >>> *Állítsa a fagyasztó hőmérsékletét magasabbra, és ellenőrizze.*

A hűtő vagy a fagyasztó hőmérséklete nagyon magas.

- A hűtő nagyon magas hőmérsékletre lett állítva. >>> *A hűtő hőmérséklete hatással van a fagyasztó hőmérsékletére. Módosítsa úgy a hűtő és a fagyasztó hőmérsékletét, hogy ezek elérjék a kívánt szintet.*
- Lehet, hogy az ajtók gyakran vagy hosszú ideig voltak kinyitva. >>> *Kevesebb alkalommal nyissa ki az ajtókat.*
- Lehet, hogy az ajtó nyitva maradt. >>> *Csukja be rendesen az ajtót.*
- Előfordulhat, hogy a hűtőszekrény nem régen lett bedugva, vagy tele lett pakolva élelmiszerekkel. >>> *Ez teljesen normális. A hűtőszekrény lehűtése ezekben az esetekben néhány órával tovább tarthat.*
- Nemrégiben nagy mennyiségű forró ételt helyezett a hűtőszekrénybe. >>> *Ne helyezzen forró ételt a hűtőszekrénybe.*

Rezgés vagy zaj.

- A padló nem egyenes vagy gyenge. >>> *A hűtő a lassú mozgás miatt ad ki hangot. Győződjön meg róla, hogy a padló egyenes-e, illetve elég erős-e ahhoz, hogy elbírja a hűtőszekrényt.*
- A zajt a hűtőszekrény tetejére helyezett tárgyak is okozhatják. >>> *Az ilyen tárgyakat el kell távolítani a hűtőszekrény tetejéről.*

Csöpögéshez vagy fűváshoz hasonló hangot hallani.

- A hűtőszekrény működésének megfelelő folyadék vagy gázáramlás történik. >>> *Ez teljesen normális, nem utal hibára.*

Szélfűváshoz hasonló hangot hallani.

- A hűtés hatékonyságának érdekében a hűtőszekrény ventilátorokat is működtet. Ez teljesen normális, nem utal hibára.

Kondenzáció a hűtőszekrény belső falain.

- A meleg vagy párás levegő növeli a jégképződést és a kondenzációt. Ez teljesen normális, nem utal hibára.
- Lehet, hogy az ajtók gyakran vagy hosszú ideig voltak kinyitva. >>> *Kevesebb alkalommal nyissa ki az ajtókat. Ha nyitva van, zárja be az ajtót.*
- Lehet, hogy az ajtó nyitva maradt. >>> *Csukja be rendesen az ajtót.*

Pára jelenik meg a hűtőszekrény külső részén vagy az ajtók közt.

- Lehet, hogy párás az idő. A párás idő teljesen normális. >>> *Ha a páratartalom kevesebb lesz, a kondenzáció eltűnik.*

Kellemetlen szag érezhető a hűtőben.

- A hűtőszekrény belső tisztításra szorul. >>> *Egy szivacs, meleg víz vagy szóda segítségével tisztítsa meg a hűtőszekrény belső részét.*
- A szagot lehet, hogy néhány edény vagy csomagolóanyag okozza. >>> *Használjon másik edényt, vagy más gyártótól származó csomagolóanyagot.*
- Az ételek nyitott edényben vannak. >>> *Az ételeket jól lezárt edényekben tárolja. A nem jól lezárt ételekből származó mikroorganizmusok kellemetlen szagokat okozhatnak.*
- Vegye ki a lejárt vagy romlott ételeket a hűtőszekrényből.

Az ajtó nem zárul be.

- Az élelmiszerek csomagolásai megakadályozhatják az ajtó becsukását.
>>> *Távolítsa el azokat a csomagokat, melyek akadályozzák az ajtót.*
- A hűtőszekrény valószínűleg nem teljesen áll függőlegesen a padlón. >>> *Állítsa be a szintbeállító csavarokat.*
- A padló nem egyenes vagy gyenge.
>>> *Győződjön meg róla, hogy a padló egyenes-e, illetve elég erős-e ahhoz, hogy elbírja a hűtőszekrényt.*

A zöldségtartó beragadt.

- Az élelmiszer lehet, hogy hozzáér a fiók tetejéhez. >>> *Rendezze át az élelmiszereket a fiókban.*

Ha A Termék Felülete Forró.

- A termék működése közben magas hőmérséklet figyelhető meg a két ajtó között, az oldalsó paneleken és a hátsó grillnél. Ez nem rendellenes jelenség és nem igényel szervizi karbantartást! Legyen óvatos, amikor megérinti ezeket a területeket.



VIGYÁZAT: Ha a hiba ezen utasítások elvégzése után továbbra is jelentkezik, forduljon a helyi forgalmazóhoz vagy szervizközpontjához. Ne próbálja megjavítani a terméket.

Por favor, leia primeiro este manual!

Caro cliente,

Esperamos que o seu produto, que foi produzido em modernas instalações e testado através de rigorosos controlos de qualidade, ofereça-lhe um serviço efectivo.

Para isso, recomendamos que leia cuidadosa e inteiramente o manual do seu produto antes de utilizá-lo e guarde-o para futuras consultas.

Este manual

- Ajudá-lo-á a utilizar o seu equipamento de forma rápida e segura.
- Leia o manual antes de instalar e operar o seu equipamento.
- Siga as instruções, especialmente as relativas à segurança.
- Guarde o manual num local acessível, já que poderá precisar dele mais tarde.
- Além disso, leia também os outros documentos fornecidos com o seu produto.

Observe que este manual também pode ser válido para outros modelos.

Os símbolos e as suas descrições

Este manual de instruções contém os seguintes símbolos:

 Informações importantes ou dicas úteis de utilização.

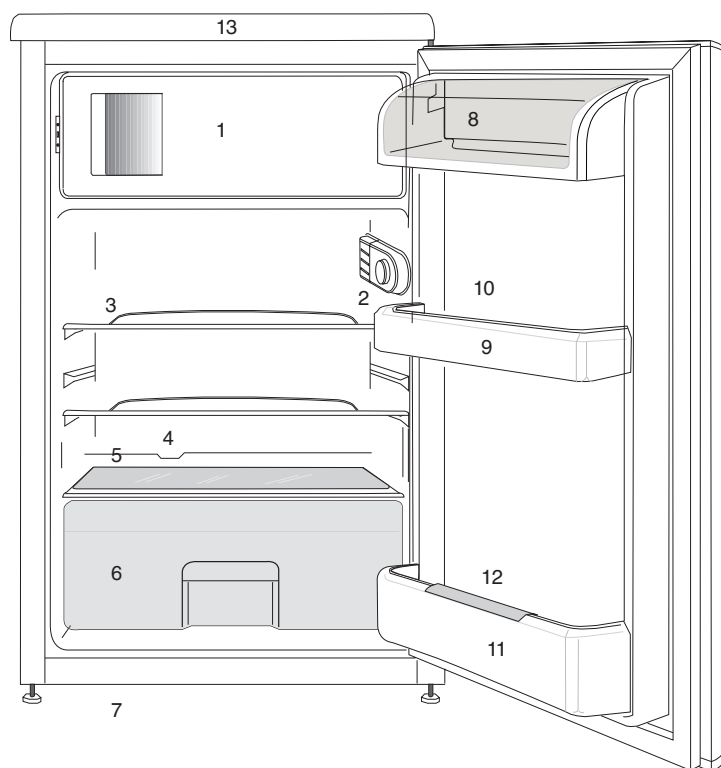
 Aviso sobre as condições de risco para a vida e a propriedade.

 Aviso sobre a voltagem eléctrica.

CONTEÚDO

1 O seu frigorífico	4	4 Preparação	15
2 Avisos importantes de segurança	5	Inverter as portas.....	17
Usado pretendido.....	5	5 Utilizar o seu frigorífico	19
Para produtos com um dispensador de água;.....	8	Congelar	19
Segurança com crianças.....	9	Congelar alimentos.....	19
Conformidade com a Directiva WEEE e Eliminação de Resíduos:	9	Fazer cubos de gelo.....	20
Cumprimento com a Directiva RoHS:..	9	Armazenar alimentos congelados...	20
Informação sobre a embalagem.....	9	Descongelação do equipamento	20
Aviso HC.....	9	Arrefecimento.....	21
O que se pode fazer para economizar energia.....	10	Armazenamento de alimentos	21
		Descongelação do equipamento	22
3 Instalação	11	6 Manutenção e limpeza	23
Pontos a serem considerados ao transportar novamente o seu frigorífico	11	Protecção das superfícies plásticas	23
Antes de funcionar o seu frigorífico	11	7 Soluções recomendadas para os problemas	24
Ligação eléctrica.....	12		
Eliminação da embalagem.....	12		
Eliminação do seu frigorífico velho..	12		
Colocação e instalação.....	12		
Substituir a lâmpada de iluminação	13		
Ajuste dos pés	14		
Instalação (Sob o balcão)	14		

1 O seu frigorífico



1. a.) Compartimento de congelação e tabuleiro para gelo (para modelos ***** ******) b.) Compartimento de alimentos congelados e tabuleiro para gelo (para modelos ******)

2. Luz interior & Botão do termostato

3. Prateleiras móveis

4. Canal de recolha da água da descongelação - Tubo de drenagem

5. Tampa da gaveta para frutos e legumes

6. Gaveta para frutos e legumes

7. Pés frontais ajustáveis

8. Compartimento para produtos lácteos

9. Prateleiras da porta

10. Porta-ovos

11. Prateleira para garrafas

12. Garra para garrafas

13. Armação superior

i As figuras que aparecem neste manual de instruções são esquemáticas e podem não corresponder exactamente ao seu produto. Se as partes referidas não estiverem incluídas no produto que adquiriu, é porque são válidas para outros modelos.

2 Avisos importantes de segurança

Por favor, reveja as informações seguintes. A não-observância destas informações pode causar ferimentos ou danos ao material. Caso contrário, todas as garantias e compromissos de fiabilidade tornar-se-ão inválidos.

As peças sobressalentes originais serão fornecidas durante 10 anos a partir da data da compra.

Uso pretendido

⚠	AVISO: Manter as aberturas de ventilação, na caixa de proteção do aparelho ou na estrutura embutida, sem obstruções.
⚠	AVISO: Não usar dispositivos mecânicos nem outros meios para acelerar o processo de descongelação, exceto os recomendados pelo fabricante.
⚠	AVISO: Não danificar o circuito de refrigeração.
⚠	AVISO: Não usar aparelhos eléctricos no interior dos compartimentos de armazenamento de alimentos do aparelho, a menos que sejam do tipo recomendado pelo fabricante.

Este aparelho é destinado a ser usado em uso doméstico e aplicações similares como

- zonas de cozinha em estabelecimentos comerciais, escritórios ou outros ambientes laborais;

- casas rurais e pelos clientes em hotéis, motéis e outros ambientes de tipo residencial;

- ambientes de tipo alojamento e pequeno almoço;

- utilizações de refeições e outros não-retalhistas similares.

Segurança geral

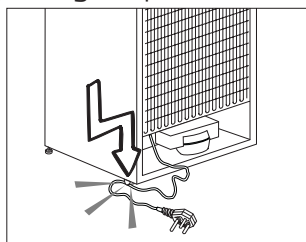
- Quando quiser eliminar/ desfazer-se do produto, recomendamos que consulte o serviço de assistência e os órgãos autorizados para obter mais informações.
- Consulte o seu serviço de assistência autorizado para todas as questões e problemas relativos ao frigorífico. Não tente reparar e nem permita que ninguém o faça sem notificar os serviços de assistência autorizados.
- Para produtos com um compartimento de congelador; Não coma cones de gelados e cubos de gelo imediatamente após retirá-los do compartimento do congelador! (Isto pode provocar queimaduras de frio na sua boca).

- Para produtos com compartimento de congelador; Não coloque bebidas líquidas enlatadas ou engarrafadas no compartimento do congelador. Caso contrário, podem rebentar.
- Não toque nos alimentos congelados; podem ficar presos à sua mão.
- Desligue o seu frigorífico da tomada antes da limpeza ou descongelação.
- O vapor e materiais de limpeza vaporizados nunca deverão ser utilizados nos processos de limpeza e descongelação do seu frigorífico. Em tais casos, o vapor poderá entrar em contacto com as partes eléctricas e provocar curto-circuito ou choque eléctrico.
- Nunca use as partes do seu frigorífico, tal como a porta, como meios de apoio ou degrau.
- Não utilize dispositivos eléctricos dentro do frigorífico.
- Não danifique as partes por onde circula a refrigeração, com ferramentas perfurantes ou cortantes. O refrigerante que pode explodir quando os canais de gás do evaporador, as extensões do tubo ou os revestimentos da superfície são perfurados, causa irritações na pele ou ferimentos nos olhos.
- Não cubra ou bloqueie os orifícios de ventilação do seu frigorífico com nenhum tipo de material.
- Os dispositivos eléctricos só devem ser reparados por pessoas autorizadas. As reparações realizadas por pessoas incompetentes causam riscos ao utilizador.
- Em caso de qualquer falha quer durante uma manutenção ou num trabalho de reparação, desligue a alimentação eléctrica do seu frigorífico, desligando o fusível correspondente ou retirando a ficha da tomada.
- Não puxe pelo cabo quando for retirar a ficha da tomada.
- Assegure-se de que bebidas fortemente alcoólicas são guardadas de forma segura com a tampa apertada e colocadas na vertical .
- Nunca guarde latas de aerossol inflamáveis e substâncias explosivas no frigorífico.
- Não utilize dispositivos mecânicos ou outros para acelerar o processo de descongelação. Siga apenas as instruções recomendadas pelo fabricante.
- Este produto não se destina a ser usado por pessoas com incapacidades físicas, sensoriais ou mentais ou sem conhecimento ou experiência (incluindo crianças), a menos que sejam supervisionadas por alguém responsável pela sua segurança ou que as instrua sobre o uso do produto.

- Não utilize um frigorífico avariado. Consulte o agente autorizado se tiver qualquer questão.
- A segurança eléctrica do seu frigorífico apenas poderá ser garantida se o sistema de ligação à terra da sua casa estiver em conformidade com as normas.
- A exposição do produto à chuva, neve, sol e vento é perigosa no que toca à segurança eléctrica.
- Para evitar qualquer perigo, contacte o serviço autorizado se o cabo eléctrico estiver danificado.
- Nunca ligue o frigorífico à tomada de parede durante a instalação. Caso contrário, poderá ocorrer perigo de morte ou ferimentos graves.
- Este frigorífico foi concebido unicamente para guardar alimentos. Não deverá ser utilizado para quaisquer outros fins.
- A etiqueta das especificações técnicas está localizada na parede esquerda no interior do frigorífico.
- Nunca ligue o seu frigorífico a sistemas de poupança de electricidade, pois podem danificá-lo.
- Se houver uma luz azul no frigorífico, não olhe para ela a olho nu ou com ferramentas ópticas durante muito tempo.
- Para frigoríficos controlados manualmente, aguarde pelo

menos 5 minutos para voltar a ligá-lo após uma falha eléctrica.

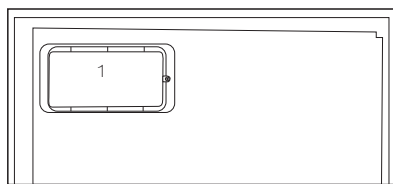
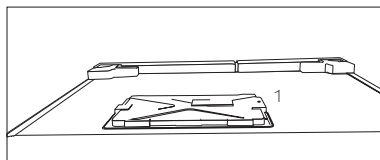
- Este manual de instruções deverá ser entregue ao novo proprietário do produto quando for dado/vendido a outros.
- Evite causar danos ao cabo eléctrico quando transportar o frigorífico. Dobrar o cabo pode causar incêndio. Nunca pouse objectos pesados no cabo eléctrico. Não toque na ficha com as mãos molhadas quando a introduz na tomada para ligar o produto.



- Não ligue o frigorífico à tomada, se a tomada de parede estiver solta.
- Não deverá ser vaporizado directamente nas partes interiores ou interiores do produto devido a razões de segurança.
- Para evitar risco de incêndio e explosão, não vaporize substâncias que contenham gases inflamáveis, tais como gás propano, etc., próximo ao frigorífico.
- Não coloque recipientes que contenham água sobre o topo do frigorífico, visto que tal poderá resultar em choque eléctrico ou incêndio.

- Não sobrecarregue o frigorífico com excesso de alimentos. Se sobrecarregado, os alimentos podem cair e ferir-lo a si e danificar o frigorífico ao abrir a porta. Nunca coloque objectos no topo do frigorífico, visto que estes podem cair quando se abre ou fecha a porta do frigorífico.
- Como precisam de um controlo de temperatura exacta, as vacinas, medicamentos sensíveis ao aquecimento, materiais científicos, etc., não deverão ser guardados no frigorífico.
- Se não for utilizado por um longo tempo, o frigorífico deve ser desligado da tomada. Qualquer problema possível no cabo eléctrico poderá resultar em incêndio.
- O frigorífico pode mover-se se os pés não estiverem devidamente fixados ao piso. O ajuste seguro e apropriado dos pés ao piso pode impedir o frigorífico se mova.
- Ao transportar o frigorífico, não segure pelo puxador da porta. Caso contrário, pode quebrar.
- Se posicionar o seu frigorífico próximo de outro frigorífico ou arca frigorífica, a distância entre os dispositivos deve ser de pelo menos 8 cm. Caso contrário, as paredes laterais adjacentes podem humedecer.

- Nunca usar o produto se a secção localizada na parte superior ou traseira do seu produto com placas de circuitos impressos electrónicos no interior estiver aberta (tampa da placa de circuito electrónico impresso) (1).



Para produtos com um dispensador de água;

- A pressão para a entrada de água fria deve ser no máximo de 90 psi (620 kPa). Se a sua pressão de água exceder 80 psi (550 kPa), utilize uma válvula limitadora de pressão no seu sistema de alimentação. Se não sabe como verificar a sua pressão de água, deve solicitar a ajuda de um canalizador profissional.
- Se existir o risco de o golpe de ariete afetar a sua instalação, deve utilizar sempre um equipamento de prevenção do golpe de ariete na sua instalação. Deve consultar os canalizadores

profissionais se não tiver a certeza se existe o efeito de golpe de ariete na sua instalação.

- Não instalar na entrada de água quente. Deve tomar precauções relativamente ao risco de congelamento nas tubagens. O intervalo de funcionamento de temperatura da água deve ser 33°F (0,6°C) de mínimo e 100°F (38°C) de máximo.
- Use apenas água potável.

Segurança com crianças

- Se a porta possuir uma fechadura, a chave deverá ser mantida afastada do alcance das crianças.
- As crianças devem ser vigiadas para impedir que brinquem com o produto.

Conformidade com a Directiva WEEE e Eliminação de Resíduos:



Este produto está em conformidade com a Directiva WEEE da UE (2012/19/EU). Este produto porta um símbolo de classificação para resíduos de equipamentos eléctricos e electrónicos (WEEE).

Este produto foi fabricado com materiais e peças de alta qualidade, que podem ser reutilizados e reciclados. No fim da sua vida útil, não

elimine o resíduo com o lixo doméstico normal ou outro lixo. Leve-o a um centro de recolha para reciclagem de equipamentos eléctricos e electrónicos. Consulte as autoridades locais para se informar sobre estes centros de recolha.

Cumprimento com a Directiva RoHS:

O produto que adquiriu está em conformidade com a Directiva RoHS da UE (2011/65/EU). Ele não contém materiais perigosos e proibidos especificados na Directiva.

Informação sobre a embalagem

Os materiais de embalagem do produto são fabricados a partir de materiais recicláveis, de acordo com as nossas Normas Ambientais Nacionais. Não elimine os materiais de embalagem junto com o lixo doméstico ou outro tipo de lixo. Encaminhe-os a um ponto de recolha de materiais de embalagem indicado pelas autoridades locais.

Aviso HC

O sistema de arrefecimento do seu produto contém R600a:

Este gás é inflamável. Por isso, tenha cuidado em não danificar o sistema de arrefecimento e a tubagem durante o uso e transporte. No caso de algum dano, mantenha o seu produto longe de potenciais fontes de fogo que possam fazer com que o produto de incendeie e ventile o compartimento no qual a unidade está colocada.

Ignore este aviso se o sistema de arrefecimento do seu produto contiver R134a:

O tipo de gás usado no produto está indicado na placa de características localizada na parede esquerda no interior do frigorífico.

Nunca elimine o seu produto no fogo.

O que se pode fazer para economizar energia

- Não deixe as portas do seu frigorífico abertas durante muito tempo.
- Não coloque alimentos ou bebidas quentes no seu frigorífico.
- Não sobrecarregue o seu frigorífico para que a circulação do ar no interior não seja dificultada.
- Não instale o seu frigorífico sob a luz solar directa ou próximo de aparelhos que emitem calor tais como fornos, máquinas de lavar louça ou radiadores.
- Tenha cuidado em manter os seus alimentos em recipientes fechados.
- Para produtos com um compartimento de congelador; Pode armazenar uma quantidade máxima de alimentos no congelador se remover a prateleira ou gaveta do congelador. O valor do consumo de energia indicado no seu frigorífico foi determinado removendo a prateleira do congelador ou a gaveta e com carga máxima. Não existe qualquer risco em utilizar uma prateleira ou gaveta de acordo com as formas e tamanhos dos alimentos a serem congelados.
- Descongelar os alimentos congelados no compartimento do frigorífico poupará energia e preservará a qualidade dos alimentos.

3 Instalação

⚠ Por favor, lembre-se de que o fabricante não pode ser responsabilizado se não forem observadas as informações fornecidas no manual de instruções.

Pontos a serem considerados ao transportar novamente o seu frigorífico

1. O seu frigorífico deve ser esvaziado e limpo antes de ser transportado.
2. As prateleiras, acessórios, gaveta para frutas e legumes, etc. do seu frigorífico devem ser firmemente presos com fita adesiva, devido aos solavancos antes de voltar a empacotá-lo.
3. A embalagem deve ser amarrada com fitas grossas e cordas fortes e devem ser seguidas as normas de transporte indicadas na mesma.

Não se esqueça...

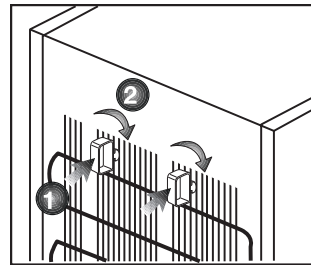
Todo material reciclado é uma fonte indispensável para a natureza e para os nossos recursos nacionais.

Se quiser contribuir para a reciclagem dos materiais da embalagem, pode obter mais informações nos organismos relativos ao ambiente ou junto das autoridades locais.

Antes de funcionar o seu frigorífico

Antes de iniciar a utilização do seu frigorífico, verifique o seguinte:

1. O interior do frigorífico está seco e o ar pode circular livremente na sua parte traseira?
2. Introduza os 2 calços plásticos na ventilação traseira, conforme mostrado na figura seguinte. Os calços plásticos proporcionarão a distância necessária entre o seu frigorífico e a parede, permitindo assim a livre circulação do ar.



3. Limpe o interior do frigorífico conforme recomendado na secção "Manutenção e limpeza".
4. Ligue o frigorífico à tomada eléctrica. A luz interior acender-se-á quando a porta do frigorífico for aberta.
5. Ouvirá um ruído quando o compressor começar a trabalhar. O líquido e os gases no interior do sistema de refrigeração também podem fazer algum ruído, mesmo que o compressor não esteja a funcionar, o que é perfeitamente normal.

6. As arestas da frente do frigorífico podem ficar quentes. Isto é normal. Estas arestas são projectadas para ficarem quentes, a fim de evitar a condensação.

Ligação eléctrica

Ligue o seu produto a uma tomada de terra, que esteja protegida por um fusível com a capacidade apropriada. Importante:

- A ligação deve estar em concordância com os regulamentos nacionais.
- A ficha do cabo de alimentação deve estar facilmente acessível após a instalação.
- A voltagem especificada deve ser igual à sua voltagem eléctrica.
- Não devem ser usados cabos de extensão e fichas multiusos para a ligação.

⚠ Um cabo de alimentação danificado deve ser substituído por um electricista qualificado.

⚠ O produto não deve ser utilizado antes de ser reparado! Há risco de choque eléctrico!

Eliminação da embalagem

Os materiais de embalagem podem ser perigosos para as crianças. Guarde os materiais da embalagem fora do alcance das crianças ou elimine-os, classificando-os de acordo com as instruções sobre o lixo. Não os elimine juntamente com o lixo doméstico normal.

A embalagem do seu frigorífico é produzida com materiais recicláveis.

Eliminação do seu frigorífico velho

Elimine o seu frigorífico velho sem causar qualquer perigo ao meio ambiente.

- Pode consultar o seu revendedor autorizado ou o centro de recolha do lixo do seu município a respeito da eliminação do seu frigorífico.

Antes de se desfazer do seu frigorífico, corte a ficha eléctrica e, se houver trincos nas portas, deixe-os inutilizados, a fim de proteger as crianças contra qualquer perigo.

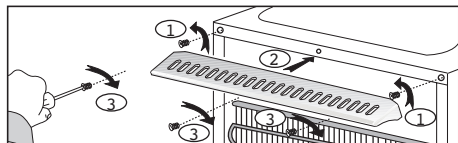
Colocação e instalação

⚠ Se a porta de entrada do compartimento onde o frigorífico será instalado não for o suficientemente larga para que ele passe, chame o serviço de assistência autorizado para que possam remover as portas do seu frigorífico e passá-lo de forma inclinada através da porta.

1. Instale o seu frigorífico num local que permita fácil acesso.
2. Mantenha o seu frigorífico longe das fontes de calor, lugares húmidos e luz solar directa.
3. Deve existir uma circulação de ar adequada à volta do seu frigorífico, para que obtenha um funcionamento eficiente. Se o frigorífico for colocado numa reentrância da parede, deve haver uma distância mínima de 5cm do tecto e, pelo menos, 5 cm da parede. Se o piso for coberto por alcatifa, o seu produto deve ter uma elevação de 2,5 cm do chão.

4. Coloque o seu frigorífico num pavimento uniforme para evitar solavancos.

Se o seu equipamento estiver equipado com uma grelha de ar, por favor consulte para a instalação da grelha de ar.



Substituir a lâmpada de iluminação

Para substituir a lâmpada utilizada para a iluminação do seu frigorífico, por favor chame o seu Serviço de Assistência Autorizado.

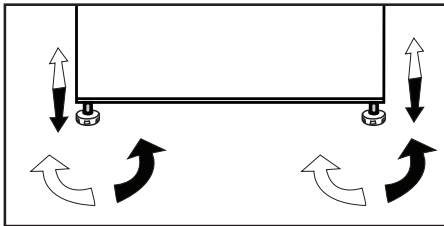
A(s) lâmpada(s) usada(s) neste aparelho não é ou não são adequada(s) para a iluminação do espaço. A finalidade desta lâmpada é auxiliar o utilizador a colocar produtos alimentares no frigorífico/congelador, de uma forma confortável e segura.

As lâmpadas usadas neste aparelho têm de suportar condições físicas extremas, tais como temperaturas abaixo de -20°C .

Ajuste dos pés

Se o seu frigorífico estiver desnivelado;

Pode equilibrar o seu frigorífico, rodando os seus pés frontais conforme ilustrado na figura. O canto onde está o pé é baixado quando roda na direcção da seta preta e levantado quando roda na direcção oposta. Peça ajuda a alguém para erguer ligeiramente o frigorífico, facilitará este processo.



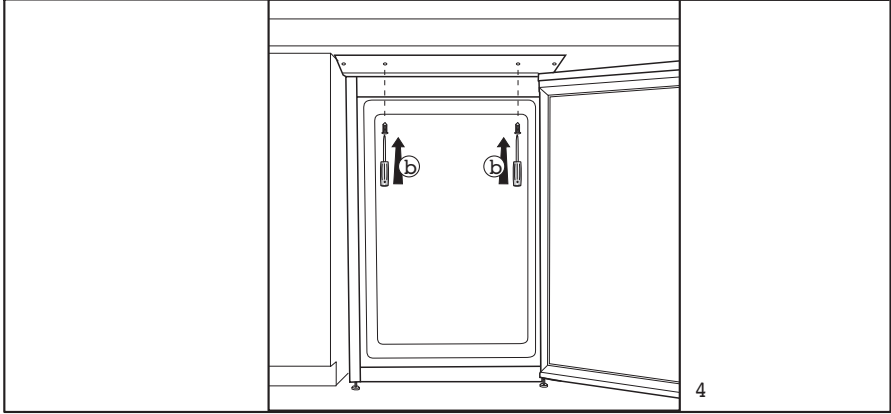
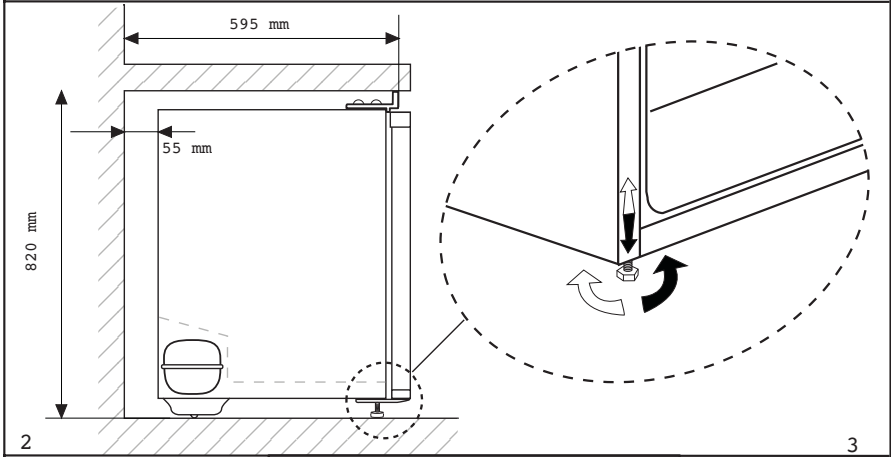
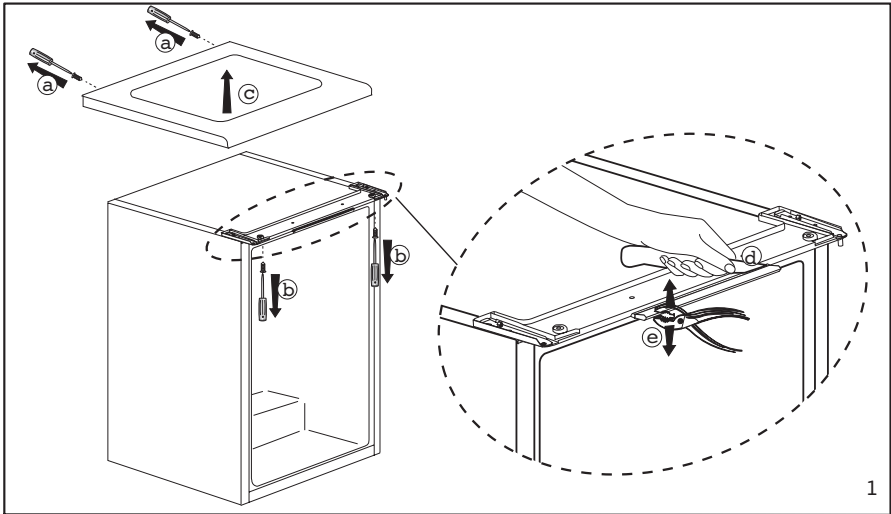
Instalação (Sob o balcão)

- A altura interna do balcão deve ser de 820 mm.(!) Sobre o balcão onde, sob ele, é instalado o equipamento não devem ser colocados fogões ou outras fontes de calor.
- As tomadas de corrente de parede deve estar próximas do lado direito ou esquerdo do equipamento.
- Remova a tampa superior do equipamento. Existem 4 parafusos (2 peças na parte de trás, 2 peças debaixo da extremidade frontal) que devem ser removidos. Fig. 1
- Corte a parte mostrada na figura e, em seguida, remova-a com a ajuda de um alicate.
- Coloque o seu equipamento sob o balcão e ajuste os pés frontais até que a sua parte superior fique em contacto com o balcão.
- Afim de utilizar o produto sob o balcão, a distância entre a parede e a referência indicada no plástico de ligação superior deve ser no mínimo de 595 mm. Fig. 2-3
- Fixe o equipamento sob a bancada utilizando os 2 parafusos que foram removidos da tampa superior. (O material da bancada deve ser de base plástica ou madeira!)

Fig. 4

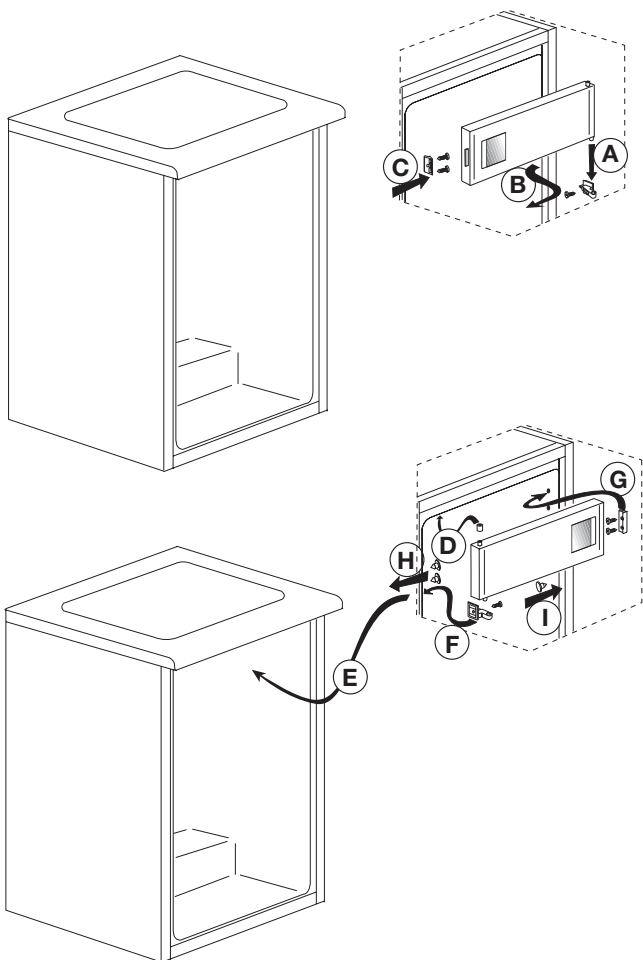
4 Preparação

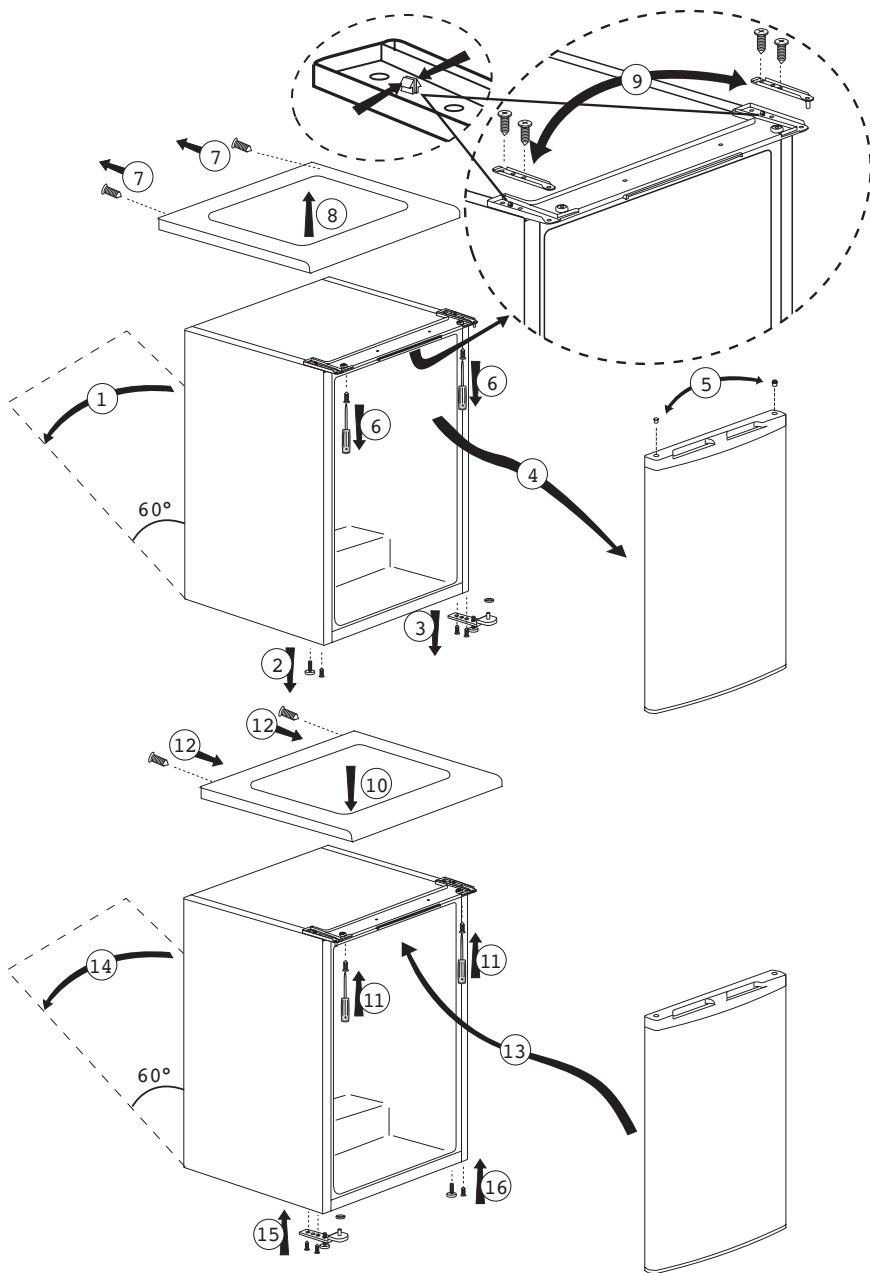
- O seu frigorífico deverá ser instalado a uma distância mínima de 30 cm de quaisquer fontes de calor, tais como placas, fornos, aquecimento central e fogões e de 5 cm de fornos eléctricos e não deverá ficar exposto directamente à luz solar.
- A temperatura ambiente do compartimento onde está instalado o seu frigorífico não deve ser inferior a 10 °C. Utilizar o seu frigorífico em condições de temperatura mais baixas não é recomendado em atenção à sua eficiência.
- Certifique-se de que o interior do seu frigorífico esteja completamente limpo.
- Se forem instalados dois frigoríficos lado a lado, deverá existir uma distância mínima de 2 cm entre eles.
- Quando utilizar o seu frigorífico pela primeira vez, por favor, observe as seguintes instruções durante as seis horas iniciais.
- A porta não deverá ser aberta frequentemente.
- Deve começar a funcionar vazio, sem alimentos no interior.
- Não retire a ficha da tomada do seu frigorífico. Se houver uma falha de energia inesperada, por favor, consulte os avisos na secção "Soluções recomendadas para os problemas".
- A embalagem original e os materiais de esponja deverão ser guardados para transportes ou deslocações futuras.
- Os cestos/gavetas que são fornecidos com o compartimento para os frescos têm de ser sempre utilizados para um menor consumo de energia e para melhores condições de armazenamento.
- O contacto dos alimentos com o sensor de temperatura no compartimento do congelador pode aumentar o consumo de energia do aparelho. Assim deve ser evitado qualquer contacto com o(s) sensor(es).
- Nalguns modelos, o painel de instrumentos desliga-se automaticamente 5 minutos depois da porta ter sido fechada. Será reactivado quando a porta for aberta ou quando for premida qualquer tecla.
- Devido a mudanças de temperatura, em consequência da abertura/ fecho da porta do produto durante o funcionamento, é normal que se produza condensação na porta/ prateleiras e recipientes de vidro da estrutura.



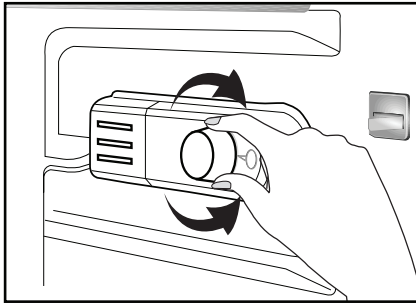
Inverter as portas

Proceda em ordem numérica.

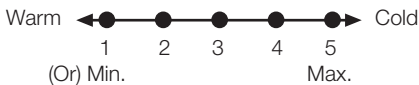




5 Utilizar o seu frigorífico



A temperatura de funcionamento é regulada pelo respectivo controlo.



1 = Definição de arrefecimento mais baixa (Definição mais quente)

5 = Definição de arrefecimento mais elevada (Definição mais fria)

(Ou)

Mín. = Definição de arrefecimento mais baixa (Definição mais quente)

Máx. = Definição de arrefecimento mais elevada (Definição mais fria)

A temperatura média dentro do frigorífico deve ser cerca de +5°C.

Escolha a definição de acordo com a temperatura pretendida.

Pode parar o funcionamento do seu equipamento, rodando o botão do termóstato para a posição "0".

Note que existem temperaturas diferentes na área de arrefecimento.

A área mais fria está imediatamente acima do compartimento para vegetais.


A temperatura inferior também depende da temperatura ambiente, da frequência com que a porta é aberta e da quantidade de alimentos mantidos no interior do equipamento.

A abertura frequente da porta faz subir a temperatura inferior.

Assim, recomendamos o fecho da porta o mais rapidamente possível após a utilização.

Congelar

Congelar alimentos

O compartimento do congelador está marcado com este símbolo .

Pode utilizar o equipamento para congelar alimentos frescos, bem como para guardar alimentos pré-congelados.

Consulte as recomendações fornecidas na embalagem do alimento.

• Atenção

Não congele bebidas gaseificadas já que a garrafa pode rebentar quando o líquido estiver congelado.

Tenha cuidado com os produtos congelados, como os cubos de gelo coloridos.

Não ultrapasse a capacidade de congelação do equipamento por um período superior a 24 horas. Consulte a placa de características.

Para manter a qualidade dos alimentos, o congelamento deve ser efectuado o mais rapidamente possível.

Assim, a capacidade de congelação não será excedida, e a temperatura no interior do congelador não aumentará.

• **Atenção**

Mantenha os alimentos já congelados sempre separados dos alimentos guardados frescos.

Quando congelar alimentos quentes, o compressor de arrefecimento funcionará até os alimentos estarem completamente congelados. Esta situação pode provocar, temporariamente, um arrefecimento excessivo do compartimento de refrigeração.

Se tiver dificuldade em abrir a porta do congelador, após ela ter sido aberta, não se preocupe. Esta situação deve-se à diferença de pressão de compensação. Após alguns minutos a porta abrir-se-á normalmente.

Ouvirá um som de vácuo logo após o fecho da porta. Esta situação é perfeitamente normal.

Fazer cubos de gelo


Encha as formas para gelo até 3/4 da sua capacidade e coloque-as no congelador.

Assim que a água se transformar em gelo, pode retirar os cubos.

Nunca utilize objectos pontiagudos, como facas ou garfos, para remover os cubos de gelo. Este procedimento pode causar lesões!

Deixe os cubos de gelo descongelarem ligeiramente, ou coloque o fundo da forma em água quente durante um curto espaço de tempo.

Armazenar alimentos congelados

O compartimento de congelação de alimentos está marcado com o símbolo .

O compartimento de congelação de alimentos é apropriado para o armazenamento de alimentos pré-congelados. Devem ser sempre observadas as recomendações para o armazenamento, conforme o estabelecido nas embalagens dos alimentos.

Descongelação do equipamento

O gelo em excesso afecta o desempenho de congelação do frigorífico.

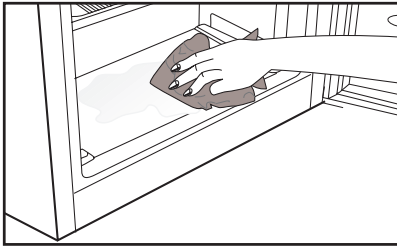
Por isso, recomendamos que descongele o equipamento pelo menos duas vezes por ano, ou sempre que a altura do gelo exceder 7 mm.

Descongele o frigorífico com ele vazio ou quando tiver poucos alimentos.

Retire os alimentos congelados. Embrulhe os alimentos congelados em várias camadas de papel, ou numa manta, e guarde-os num local frio.



Para iniciar o processo de descongelação, retire a ficha da corrente eléctrica ou desligue o interruptor de circuito.

Retire os acessórios (prateleiras, gavetas, etc.) do equipamento e utilize



um recipiente adequado para recolher a água proveniente da descongelação.

Utilize uma esponja ou um pano macio para remover a água da descongelação, se necessário, no compartimento de congelação

 e no compartimento para alimentos congelados 

Mantenha a porta aberta durante a descongelação.

Para uma descongelação mais rápida, coloque recipientes com água quente no interior do equipamento.

Nunca utilize dispositivos eléctricos, aerossóis de descongelação ou objectos pontiagudos, como facas ou garfos, para remover o gelo.

Depois da descongelação estar concluída, limpe o interior.

Ligue novamente o equipamento à electricidade. Coloque os alimentos congelados nas gavetas e deslize-as para dentro do congelador

Arrefecimento

Armazenamento de alimentos

O compartimento do frigorífico destina-se a armazenar, durante um curto período de tempo, alimentos frescos e bebidas.

Guarde os produtos lácteos no compartimento destinado para o efeito no frigorífico.

As garrafas podem ser guardadas no respectivo suporte, ou na prateleira para garrafas existente na porta.

A carne crua deve ser guardada num saco de polietileno, na parte mais inferior do frigorífico.

Deixe as bebidas e alimentos quentes arrefecerem antes de os colocar no frigorífico.

• Atenção

Guarde álcool concentrado num recipiente apenas na vertical e hermeticamente fechado.

• Atenção

Não guarde substâncias explosivas nem recipientes com gases inflamáveis (natas enlatadas, aerossóis, etc.) no equipamento.

Existe perigo de explosão.

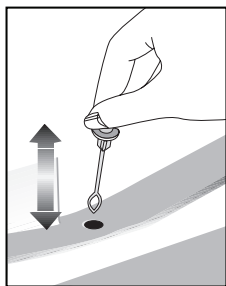
Descongelação do equipamento

O compartimento do frigorífico descongela-se automaticamente. A água da descongelação circula através do tubo de drenagem até dentro de recipiente colocado na parte de trás do equipamento.

Durante a descongelação, são formadas gotas de água na parede posterior do refrigerador devido à evaporação.

Se nem todas as gotas caírem, podem congelar de novo depois de completar a descongelação. Remova-as com um pano macio humedecido em água quente. Não utilize objectos duros ou pontiagudos.

Verifique periodicamente o fluxo de água da descongelação. Ocasionalmente, o sistema pode entupir. Limpe-o com um limpador de tubos ou utensílio semelhante.



6 Manutenção e limpeza

- ⚠ Nunca use gasolina, benzeno ou substâncias semelhantes para a limpeza.
- ⚠ Recomendamos que desligue a ficha do equipamento da tomada antes da limpeza.
- ⚠ Nunca utilize na limpeza objectos abrasivos ou pontiagudos, sabões, produtos de limpeza doméstica, detergentes ou ceras abrillantadoras.
- ⚠ Para produtos não No Frost, gotas de água e uma congelação com a largura de um dedo podem ocorrer na parede posterior do compartimento do frigorífico. Não limpe; nunca aplique óleo ou agentes similares.
- ⚠ Utilize apenas panos macios de microfibra ligeiramente humedecidos para limpar a superfície do produto. Esponjas e outros tipos de panos de limpeza poderão riscar a superfície.
- ℹ Utilize água morna para limpar o exterior do seu frigorífico e seque-o com um pano.
- ℹ Utilize um pano humedecido numa solução composta por uma colher de chá de bicarbonato de soda dissolvido em cerca de meio litro de água para limpar o interior e depois seque-o.
- ⚠ Certifique-se de que não entra água no compartimento da lâmpada e nos outros itens eléctricos.
- ⚠ Se o seu frigorífico não for utilizado durante um longo período de tempo, remova o cabo de alimentação, retire todos os alimentos, limpe-o e deixe a porta entreaberta.
- ℹ Verifique regularmente as borrachas vedantes da porta, para se assegurar que elas estão limpas e sem restos de alimentos.
- ⚠ Para remover os suportes da porta, retire todo o seu conteúdo e, em seguida, basta empurrar cuidadosamente o seu suporte para cima a partir da base.
- ⚠ Nunca utilize agentes de limpeza ou água que contenha cloro para limpar as superfícies externas e as partes cromadas do produto. O cloro provoca a corrosão de tais superfícies metálicas.
- ⚠ Não usar ferramentas aguçadas e abrasivas ou sabão, agentes de limpeza doméstica, detergentes, gasolina, benzina, cera, etc., podem danificar os carimbos nas partes plásticas, que podem desaparecer ou ficarem deformadas. Usar água quente e um pano macio para limpar e secar com um pano seco.

Protecção das superfícies plásticas

- ℹ Não coloque óleos líquidos ou comidas cozinhadas no óleo no seu frigorífico em recipientes abertos, uma vez que podem danificar as superfícies plásticas do seu frigorífico. No caso de derrame ou salpico de óleo nas superfícies plásticas, limpe e enxagúe a parte correspondente da superfície com água morna.

7 Soluções recomendadas para os problemas

Por favor, reveja esta lista antes de telefonar para a assistência. Com isso, pode poupar tempo e dinheiro. Esta lista abrange as reclamações frequentes resultantes de defeitos de fabricação ou utilização do material. Algumas das funções descritas aqui podem não existir no seu produto.

O frigorífico não funciona
<ul style="list-style-type: none">• O frigorífico tem a ficha eléctrica ligada correctamente à tomada? Introduza a ficha na tomada de parede.• O fusível da tomada na qual o frigorífico está ligado ou o fusível principal não está queimado? Verifique o fusível.
Condensação na parede lateral do compartimento do refrigerador (MULTIZONE, COOL CONTROL e FLEXI ZONE).
<ul style="list-style-type: none">• Condições ambientais muito frias. Abertura e fecho frequentes da porta. Condições ambientais de alta humidade. Armazenamento de alimentos que contém líquidos em recipientes abertos. A porta foi deixada entreaberta. Comute o termóstato para um grau mais frio.• Diminua o número de vezes de abertura da porta ou utilize menos frequentemente.• Cubra os alimentos guardados em recipientes abertos com um material apropriado.• Limpe a condensação usando um pano seco e verifique, se persistir.
O compressor não está a funcionar.

<ul style="list-style-type: none">• A protecção térmica do compressor deixará de funcionar durante falhas eléctricas repentinas ou na extracção/colocação da ficha eléctrica, já que a pressão refrigerante no sistema de arrefecimento do frigorífico ainda não se encontra estabilizada. O seu frigorífico voltará a funcionar aproximadamente 6 minutos depois. Por favor, chame a assistência se o frigorífico não começar a operar no fim deste período.• O refrigerador está no ciclo de descongelação. Isto é normal num frigorífico de descongelação totalmente automático. O ciclo de descongelação ocorre periodicamente.• O seu frigorífico não está ligado à tomada. Certifique-se de que a ficha está correctamente ligada à tomada.• A regulação da temperatura está feita correctamente?• A corrente deve ser desligada.
O refrigerador está a funcionar frequentemente ou por um longo tempo.

• O seu novo produto pode ser mais largo do que o anterior. Esta situação é perfeitamente normal. Os frigoríficos grandes operam por um período maior de tempo.

• A temperatura ambiente pode estar muito elevada. Esta situação é perfeitamente normal.

• O frigorífico foi ligado à tomada há pouco tempo ou carregado com alimentos. O arrefecimento total do frigorífico pode demorar mais do que duas horas.

• Podem ter sido colocadas recentemente grandes quantidades de alimentos quentes no frigorífico. Os alimentos quentes obrigam a um funcionamento mais vigoroso do frigorífico até que alcance a temperatura segura de armazenamento.

• As portas podem estar a ser abertas frequentemente ou foram deixadas entreabertas por longo tempo. O ar quente que entrou no frigorífico faz com que o mesmo tenha que funcionar por períodos mais longos. Abra as portas com menos frequência.

• A porta do compartimento do refrigerador ou do congelador pode ter sido deixada entreaberta. Verifique se as portas estão completamente fechadas.

• O frigorífico está ajustado para uma temperatura muito baixa. Ajuste a temperatura do frigorífico para um grau mais quente e aguarde até que a temperatura seja atingida.

• O vedante da porta do refrigerador ou do congelador pode estar sujo, gasto, roto ou não ajustado correctamente. Limpe ou substitua o vedante. O vedante danificado/roto faz com que o frigorífico funcione por um período de tempo maior para que mantenha a temperatura actual.

A temperatura do congelador está muito baixa, enquanto que a temperatura do refrigerador é suficiente.

• A temperatura do congelador está ajustada para uma temperatura muito baixa. Ajuste a temperatura do congelador para um grau mais quente e verifique.

A temperatura do refrigerador está muito baixa, enquanto que a temperatura do congelador é suficiente.

• A temperatura do refrigerador pode ter sido ajustada para uma temperatura muito baixa. Ajuste a temperatura do refrigerador para um grau mais quente e verifique.

Os alimentos guardados nas gavetas do compartimento do refrigerador estão congelados.

• A temperatura do refrigerador pode ter sido ajustada para uma temperatura muito baixa. Ajuste a temperatura do refrigerador para um grau mais quente e verifique.

A temperatura no refrigerador ou no congelador é muito alta.

• A temperatura do refrigerador pode ter sido ajustada para um grau muito alto. O ajuste do refrigerador tem efeito na temperatura do congelador. Altere a temperatura do refrigerador ou do congelador até que a temperatura do refrigerador ou do congelador atinja um nível suficiente.

• As portas podem estar a ser abertas frequentemente ou foram deixadas entreabertas por longo tempo; abra-as menos frequentemente.

• A porta poderá ter sido deixada entreaberta; feche-a completamente.

• Podem ter sido colocadas recentemente grandes quantidades de alimentos quentes no frigorífico. Aguarde até que o refrigerador ou o congelador atinja a temperatura desejada.

• O frigorífico pode ter sido ligado à tomada há pouco tempo. O total arrefecimento do frigorífico leva tempo.

O ruído de funcionamento aumenta quando o frigorífico está a funcionar.

<ul style="list-style-type: none"> • O desempenho de funcionamento do frigorífico pode variar devido às alterações na temperatura ambiente. Esta situação é normal e não é um problema.
Vibrações ou ruído.
<ul style="list-style-type: none"> • O piso não está nivelado ou não é resistente. O frigorífico balança quando deslocado lentamente. Certifique-se de que o piso é suficientemente forte para suportar o frigorífico, e nivelado. • O ruído pode ser causado pelos itens colocados sobre o frigorífico. Os itens sobre o topo do frigorífico devem ser removidos.
Há ruídos que surgem do frigorífico como líquidos a verter ou gotejar.
<ul style="list-style-type: none"> • Os fluxos de gás e líquidos acontecem conforme os princípios de funcionamento do seu frigorífico. Esta situação é normal e não é um problema.
Há um ruído parecido com o vento a soprar.
<ul style="list-style-type: none"> • As ventoinhas são utilizadas para arrefecer o frigorífico. Esta situação é normal e não é um problema.
Condensação nas paredes internas do frigorífico.
<ul style="list-style-type: none"> • O tempo quente e húmido aumenta a formação de gelo e de condensação. Esta situação é normal e não é um problema. • As portas poderão ter sido deixadas entreabertas; certifique-se que as mesmas estão completamente fechadas. • As portas podem estar a ser abertas frequentemente ou foram deixadas entreabertas por longo tempo; abra-as menos frequentemente.
Há ocorrência de humidade no exterior do frigorífico ou entre as portas.
<ul style="list-style-type: none"> • Poderá existir humidade no ar; isto é bastante normal no tempo húmido. Quando a humidade for menor, a condensação irá desaparecer.

Maus odores dentro do frigorífico.
<ul style="list-style-type: none"> • O interior do frigorífico deve ser limpo. Limpe o interior do frigorífico com uma esponja, água morna ou água com gás. • Alguns recipientes ou materiais de embalagem podem provocar cheiros. Utilize um recipiente diferente ou um material de embalagem de marca diferente.
A porta não está fechada.
<ul style="list-style-type: none"> • Os pacotes de alimentos podem impedir o fecho da porta. Coloque de outra forma as embalagens que estão a obstruir a porta. • O frigorífico não está completamente na vertical no pavimento e balanceia quando ligeiramente movido. Ajuste os parafusos de elevação. • O piso não é sólido ou não está nivelado. Certifique-se de que o piso está nivelado e capaz de suportar o frigorífico.
As gavetas para frutos e legumes estão bloqueadas.
<ul style="list-style-type: none"> • Os alimentos podem estar a tocar o tecto da gaveta. Arrume novamente os alimentos na gaveta.
Se A Superfície Do Produto Estiver Quente.
<ul style="list-style-type: none"> • Podem notar-se temperaturas elevadas entre as duas portas, nos painéis laterais e na grelha traseira quando o produto está a funcionar. Esta situação é normal e não exige serviço de manutenção!

Lea este manual antes de utilizar el frigorífico.

Estimado cliente:

Esperamos que este aparato, que ha sido fabricado en plantas dotadas de la más avanzada tecnología y sometido a los más estrictos procedimientos de control de calidad, le preste un servicio eficaz.




Para ello, le recomendamos que lea atentamente el presente manual antes de utilizar el aparato, y que lo tenga a mano para futuras consultas.

Este manual

- Le ayudará a usar el electrodoméstico de manera rápida y segura.
- Lea el manual antes de instalar y poner en funcionamiento el aparato.
- Siga las instrucciones, en particular las relacionadas con la seguridad.
- Conserve el manual en un sitio de fácil acceso, ya que podría necesitarlo en el futuro.
- Lea también los demás documentos suministrados junto con el aparato. Tenga en cuenta que este manual también podría ser válido para otros modelos.

Símbolos y sus descripciones

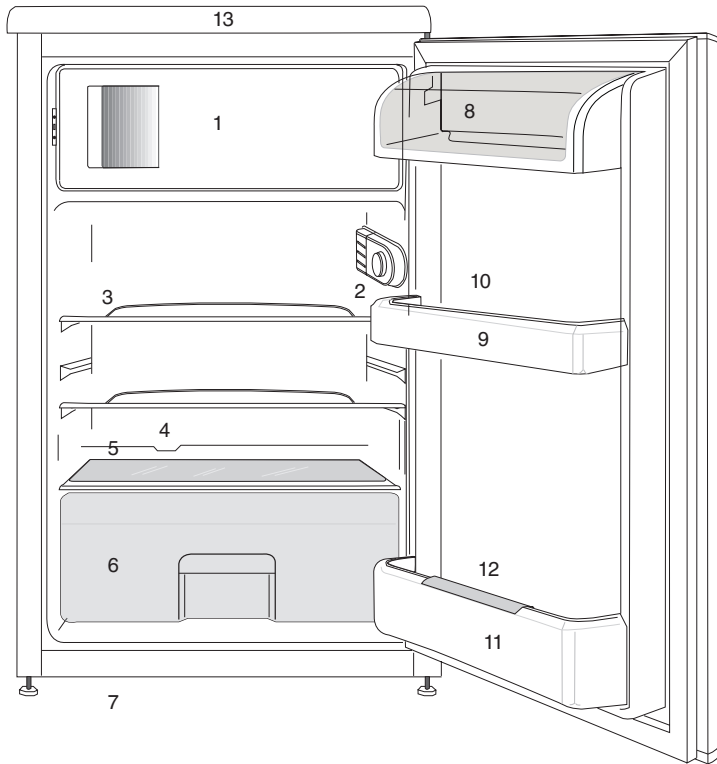
El presente manual de instrucciones emplea los siguientes símbolos:

-  Información importante o consejos útiles sobre el funcionamiento.
-  Advertencia sobre situaciones peligrosas para la vida y la propiedad.
-  Advertencia acerca de la tensión eléctrica.

ÍNDICE

1 Su frigorífico	4	4 Preparación	17
2 Avisos importantes sobre la seguridad	5	5 Uso del frigorífico	18
Finalidad prevista	5	Botón de ajuste del termostato	18
Productos equipados con dispensador de agua:	9	Refrigeración	19
Seguridad infantil	9	Congelación	19
Conformidad con la normativa WEEE y eliminación del aparato al final de su vida útil:	9	Deshielo	19
Cumplimiento de la directiva RoHS: ..	10	Parada del aparato	20
Información sobre el embalaje	10	6 Mantenimiento y limpieza	21
Advertencia sobre la seguridad de la salud	10	Protección de las superficies de plástico	21
Consejos para el ahorro de energía .	10	7 Sugerencias para la solución de problemas	22
3 Instalación	12		
Cuestiones a considerar a la hora de transportar el frigorífico	12		
Antes de usar el frigorífico	12		
Conexiones eléctricas	13		
Eliminación del embalaje	13		
Eliminación de su viejo frigorífico	13		
Colocación e instalación	13		
Inversión de las puertas	15		

1 Su frigorífico



1. a.) Compartimento de congelación y bandeja de hielo (para modelos *** ** ***) b.) Compartimento de alimentos congelados y bandeja de hielo (para modelos **(* *)**)
2. Luz interior y mando del termostato
3. Estantes móviles
4. Canal de recogida del agua de deshielo
5. Tapa del cajón de frutas y verduras
6. Cajón de frutas y verduras
7. Parrilla de ventilación
8. Secciones de mantequillas y quesos
9. Estantes de la puerta
10. Huevera
11. Estante para botellas
12. Botellero
13. Top Sisekujundus

i Las ilustraciones incluidas en el presente manual de instrucciones son esquemáticas y puede que no se adecúen a su aparato con exactitud. Si alguno de los elementos reflejados no se corresponde con el aparato que usted ha adquirido, entonces será válido para otros modelos.

2 Avisos importantes sobre la seguridad

Lea con atención la siguiente información. No tener en cuenta dicha información podría acarrear lesiones o daños materiales. En tal caso, las garantías y los compromisos de fiabilidad quedarían anulados.

Se proporcionarán piezas de recambio originales durante 10 años, después de la fecha de compra del producto.

ADVERTENCIA:

Asegúrese de que cuando el dispositivo está en su custodia o durante su montaje en el alojamiento, los orificios de ventilación no están cerrados.

ADVERTENCIA:

Con el fin de acelerar la operación de derretimiento del hielo, no utilice cualquier dispositivo o aparato mecánico que no es recomendado por el fabricante.

ADVERTENCIA:

No dañe el circuito de fluido refrigerante.

ADVERTENCIA:

No utilice dispositivos eléctricos que no estén recomendados por el fabricante en los compartimentos del dispositivo para la conservación de alimentos.

Este dispositivo está diseñado para ser utilizado en el hogar o en las siguientes aplicaciones similares:

- Con el fin de ser utilizado en las cocinas para el personal de las tiendas, oficinas y otros lugares de trabajo;

- Con el fin de ser utilizado por los clientes en casas de campo y hoteles, moteles y otros lugares de alojamiento;

- en entornos tales pensiones

- en lugares similares que no ofrecen servicios de restauración y no es al por menor

Finalidad prevista

Este aparato está diseñado para usarse en los siguientes entornos:

- interiores y entornos cerrados tales como domicilios particulares;
- entornos cerrados de trabajo tales como almacenes u oficinas;
- zonas de servicio cerradas tales como casas rurales, hoteles o pensiones.
- Este aparato no se debe usar al aire libre.

Seguridad general

- Cuando desee deshacerse del aparato, le recomendamos que solicite a su servicio técnico autorizado la información

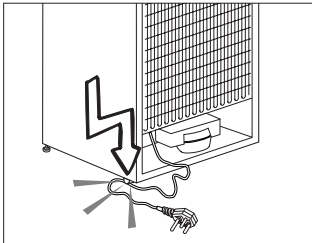


necesaria a este respecto, así como la relación de entidades locales a las que puede dirigirse.

- En caso de dudas o problemas, diríjase a su servicio técnico autorizado. No intente reparar el frigorífico sin consultar con el servicio técnico, ni deje que nadie lo haga.
- Para aparatos equipados con un compartimento congelador: no consuma los helados o cubitos de hielo inmediatamente después de sacarlos del compartimento congelador, ya que podría sufrir daños en su boca a causa del frío.
- Para aparatos equipados con un compartimento congelador: no deposite bebidas embotelladas o enlatadas en el compartimento congelador, ya que podrían estallar.
- No toque con la mano los alimentos congelados, ya que podrían adherirse a ella.
- Desenchufe su frigorífico antes de proceder a su limpieza o deshielo.
- No utilice nunca materiales de limpieza que usen vapor para limpiar o descongelar el frigorífico. El vapor podría entrar en contacto con los elementos eléctricos y causar cortocircuitos o descargas eléctricas.
- No utilice nunca elementos del frigorífico tales como la puerta como medio de sujeción o como escalón.
- No utilice aparatos eléctricos en el interior del frigorífico.
- Evite dañar el circuito del refrigerante con herramientas cortantes o de perforación. El refrigerante que puede liberarse si se perforan los canales de gas del evaporador, los conductos o los recubrimientos de las superficies causa irritaciones en la piel y lesiones en los ojos.
- No cubra ni bloquee los orificios de ventilación de su frigorífico con ningún material.
- Deje la reparación de los aparatos eléctricos únicamente en manos de personal autorizado. Las reparaciones realizadas por personas incompetentes generan riesgos para el usuario.
- En caso de fallo o cuando vaya a realizar cualquier operación de reparación o mantenimiento, desconecte el frigorífico de la corriente apagando el fusible correspondiente o bien desenchufando el aparato.
- No desenchufe el aparato de la toma de corriente tirando del cable.

- Asegúrese de guardar las bebidas alcohólicas correctamente con la tapa puesta y colocadas hacia arriba.
- No almacene en el frigorífico aerosoles que contengan sustancias inflamables o explosivas.
- No utilice dispositivos mecánicos u otros medios para acelerar el proceso de deshielo distintos de los recomendados por el fabricante.
- Este aparato no debe ser utilizado por niños o por personas con sus facultades físicas, sensoriales o mentales reducidas o bien que carezcan de la experiencia y los conocimientos necesarios, a menos que lo hagan bajo la supervisión de personas responsables de su seguridad o bien tras haber recibido instrucciones de uso por parte de dichas personas.
- No utilice un frigorífico que haya sufrido daños. Consulte con el servicio de atención al cliente en caso de duda.
- La seguridad eléctrica de su frigorífico sólo estará garantizada si el sistema de toma de tierra de su domicilio se ajusta a los estándares.
- Desde el punto de vista de la seguridad eléctrica, es peligroso exponer el aparato a la lluvia, la nieve o el viento.
- Póngase en contacto con el servicio técnico autorizado en caso de que el cable de alimentación principal se dañe, para evitar cualquier peligro.
- Nunca enchufe el frigorífico en la toma de corriente durante su instalación. Existe peligro de lesiones graves e incluso de muerte.
- Este frigorífico está únicamente diseñado para almacenar alimentos. No debe utilizarse para ningún otro propósito.
- La etiqueta que contiene los datos técnicos del frigorífico se encuentra en la parte interior izquierda del mismo.
- Jamás conecte el frigorífico a sistemas de ahorro de electricidad, ya que podría dañarlo.
- Si el frigorífico está equipado con una luz azul, no la mire a simple vista o a través de dispositivos ópticos durante un tiempo prolongado.
- En los frigoríficos de control manual, si se produce un corte del fluido eléctrico espere al menos 5 minutos antes de volver a ponerlo en marcha.

- Cuando entregue este aparato a un nuevo propietario, asegúrese de entregar también este manual de instrucciones.
- Tenga cuidado de no dañar el cable de alimentación al transportar el refrigerador. Doblar el cable podría causar un incendio. Nunca deposite objetos pesados encima del cable de alimentación. No toque el enchufe con las manos mojadas para conectar el aparato.

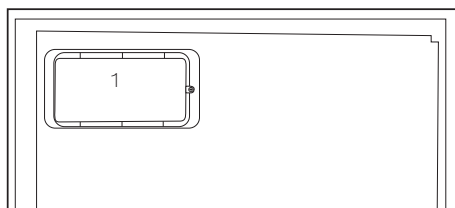
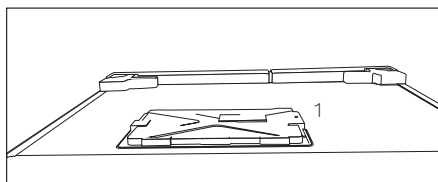


- No enchufe el refrigerador si el enchufe no encaja con firmeza en la toma de corriente de la pared.
- Por razones de seguridad, no pulverice agua directamente en las partes interiores o exteriores de este aparato.
- No rocíe cerca del refrigerador sustancias que contengan gases inflamables tales como gas propano para evitar riesgos de incendio y explosiones.
- Nunca coloque recipientes con agua sobre el refrigerador, ya que podría provocar una descarga eléctrica o un incendio.

- No deposite cantidades excesivas de alimentos en el refrigerador. Si lo hace, al abrir la puerta del refrigerador los alimentos podrían caerse y provocar lesiones personales o dañar el refrigerador. Nunca coloque objetos sobre el refrigerador, ya que podrían caer al abrir o cerrar la puerta.
- No guarde en el refrigerador productos que necesiten un control preciso de la temperatura tales como vacunas, medicamentos sensibles al calor, materiales científicos, etc.
- Desenchufe el refrigerador si no lo va a utilizar durante un periodo prolongado de tiempo. Un problema en el cable de alimentación podría causar un incendio.
- El refrigerador podría moverse si los pies no están adecuadamente asentados en el suelo. Fijar adecuadamente los pies del refrigerador en el suelo puede ayudar a evitar que se mueva.
- Cuando transporte el refrigerador, no lo aferre del asa de la puerta. De lo contrario, podría romperla.
- Cuando tenga que colocar el refrigerador cerca de otro refrigerador o congelador, deberá dejar un espacio entre ambos aparatos de 8 cm como mínimo. De lo contrario, podría formarse

humedad en las paredes adyacentes.

- Nunca utilice el producto si la sección situada en la parte superior o posterior del producto que tiene las placas de circuitos impresos electrónicos en el interior está abierta (cubierta de la placa del circuito electrónico impreso) (1).



Productos equipados con dispensador de agua:

- La presión en la entrada de agua fría será a un máximo de 90 psi (620 kPa). Si la presión del agua es superior a 80 psi (550 kPa), utilice una válvula limitadora de presión en el sistema de red. Si usted no sabe cómo controlar la presión del agua, pida la ayuda de un plomero profesional.

- Si hay riesgo de golpe de ariete en la instalación, siempre utilice un equipo de prevención contra golpes de ariete en la instalación. Consulte a un fontanero profesional si no está seguro de que no hay un efecto del golpe de ariete en la instalación.
- No instale en la entrada de agua caliente. Tome precauciones contra del riesgo de congelación en las mangueras. El intervalo de funcionamiento de la temperatura del agua debe ser un mínimo de 33°F (0.6°C) y un máximo de 100°F (38°C).
- Use agua potable únicamente.

Seguridad infantil

- Si la puerta tiene cerradura, mantenga la llave fuera del alcance de los niños.
- Vigile a los niños para evitar que manipulen el aparato.

Conformidad con la normativa WEEE y eliminación del aparato al final de su vida útil:



Este producto es conforme con la directiva de la UE sobre residuos de aparatos eléctricos y electrónicos (WEEE) (2012/19/UE). Este producto incorpora el

símbolo de la clasificación selectiva para los residuos de aparatos eléctricos y electrónicos (WEEE).

Este aparato se ha fabricado con piezas y materiales de primera calidad, que pueden ser reutilizados y son aptos para el reciclado. No se deshaga del producto junto con sus los residuos domésticos normales y de otros tipos al final de su vida útil. Llévelo a un centro de reciclaje de dispositivos eléctricos y electrónicos. Solicite a las autoridades locales información acerca de dichos centros de recogida.

Cumplimiento de la directiva RoHS:

El producto que ha adquirido es conforme con la directiva de la UE sobre la restricción de sustancias peligrosas (RoHS) (2011/65/UE). No contiene ninguno de los materiales nocivos o prohibidos especificados en la directiva.

Información sobre el embalaje

El embalaje del aparato se fabrica con materiales reciclables, de acuerdo con nuestro Reglamento Nacional sobre Medio Ambiente. No elimine los materiales de embalaje junto con los residuos domésticos o de otro tipo. Llévelos a un punto de recogida de materiales de embalaje designado por las autoridades locales.

Advertencia sobre la seguridad de la salud

Si el sistema de refrigeración de su aparato contiene R600a:

Este gas es inflamable. Por lo tanto, procure no dañar el sistema de enfriamiento ni sus conductos durante el uso o el transporte del aparato. En caso de daños, mantenga el aparato alejado de fuentes potenciales de ignición que puedan provocar que éste sufra un incendio, y ventile la estancia en la que se encuentre el aparato.

Ignore esta advertencia si el sistema de refrigeración de su aparato contiene R134a.

El tipo de gas utilizado en el aparato se indica en la placa de datos ubicada en la pared interior izquierda del frigorífico.

Jamás arroje el aparato al fuego.

Consejos para el ahorro de energía

- No deje las puertas del frigorífico abiertas durante periodos largos de tiempo.
- No introduzca alimentos o bebidas calientes en el frigorífico.
- No sobrecargue el frigorífico, ya que entorpecería la circulación del aire en su interior.
- No instale el frigorífico de forma que quede expuesto a la luz solar directa o cerca de aparatos que irradian calor tales como hornos, lavavajillas o radiadores.

- Procure depositar los alimentos en recipientes cerrados.
- Productos equipados con compartimento congelador: puede disponer del máximo volumen para el depósito de alimentos retirando el estante o el cajón del congelador. El consumo energético que se indica para su frigorífico se ha calculado retirando el estante o el cajón del congelador y en condiciones de máxima carga. No existe ningún riesgo en la utilización de un estante o cajón según las formas o tamaños de los alimentos que se van a congelar.
- Descongele los alimentos congelados en el compartimento frigorífico; ahorrará energía y preservará la calidad de los alimentos.

3 Instalación

⚠ Recuerde que el fabricante declina toda responsabilidad en caso de incumplimiento de las instrucciones de este manual.

Cuestiones a considerar a la hora de transportar el frigorífico

1. El frigorífico debe estar vacío y limpio antes de proceder a su transporte.
2. Los estantes, accesorios, el cajón de frutas y verduras, etc., deben sujetarse con cinta adhesiva antes de embalar el frigorífico para evitar que se muevan.
3. Encinte el frigorífico una vez embalado con cinta gruesa y fíjelo con cuerdas resistentes. Siga las reglas de transporte que encontrará impresas en el propio embalaje.

No olvide que:

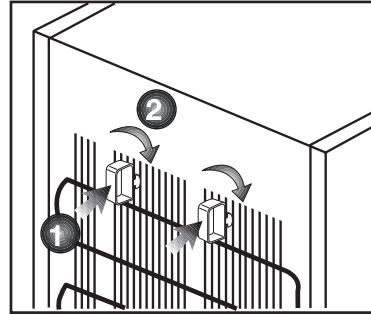
El reciclaje de materiales es un asunto de vital importancia para la naturaleza y para los recursos del país.

Si desea contribuir al reciclaje de los materiales de embalaje, solicite más información a los responsables medioambientales de su zona o a las autoridades locales.

Antes de usar el frigorífico

Antes de empezar a usar el frigorífico, verifique lo siguiente:

1. El interior del frigorífico está seco y el aire puede circular con libertad por su parte posterior.



2. Es posible que las aristas delanteras del aparato se noten calientes al tacto, cosa que es perfectamente normal. Estas zonas deben permanecer calientes para evitar la condensación.
1. El interior del frigorífico está seco y el aire puede circular con libertad por su parte posterior.
 2. Introduzca 2 cuñas plásticas en la ventilación trasera, como se muestra en la figura siguiente. Las cuñas de plástico proporcionarán la distancia requerida entre su frigorífico y la pared para una correcta circulación del aire.
 3. Limpie el interior del frigorífico de la forma recomendada en la sección "Mantenimiento y Limpieza".
 4. Enchufe el frigorífico a la toma de corriente. Al abrir la puerta del frigorífico, la luz interior del compartimento frigorífico se enciende.
 5. Se oye un sonido cuando arranca el compresor. El líquido y los gases contenidos en el sistema de refrigeración pueden también generar ruidos, incluso aunque el compresor no esté funcionando, lo cual es normal.
 6. Es posible que las aristas delanteras del aparato se noten calientes al tacto, cosa que es perfectamente normal.

Estas zonas deben permanecer calientes para evitar la condensación.

Conexiones eléctricas

Conecte el frigorífico a una toma de corriente provista de toma de tierra y protegida por un fusible de la capacidad adecuada.

Importante:

- La conexión debe cumplir con las normativas nacionales.
- El enchufe de alimentación debe ser fácilmente accesible tras la instalación.
- La tensión especificada debe corresponder a la tensión de la red eléctrica.
- No use cables de extensión ni enchufes múltiples para conectar la unidad.

⚠ Todo cable de alimentación dañado debe ser reemplazado por un electricista cualificado.

⚠ No ponga en funcionamiento el aparato hasta que esté reparado, ya que existe peligro de cortocircuito.

Eliminación del embalaje

Los materiales de empaque pueden ser peligrosos para los niños. Manténgalos fuera de su alcance o deshágase de ellos clasificándolos según las instrucciones para la eliminación de residuos. No los tire junto con los residuos domésticos normales.

El embalaje del frigorífico se ha fabricado con materiales reciclables.

Eliminación de su viejo frigorífico

Deshágase de su viejo frigorífico de manera respetuosa con el medio ambiente.

- Consulte las posibles alternativas a un distribuidor autorizado o al centro de recogida de residuos de su municipio.

Antes de proceder a la eliminación del frigorífico, corte el enchufe y, si las puertas tuvieran cierres, destrúyalos para evitar que los niños corran riesgos.

Colocación e instalación

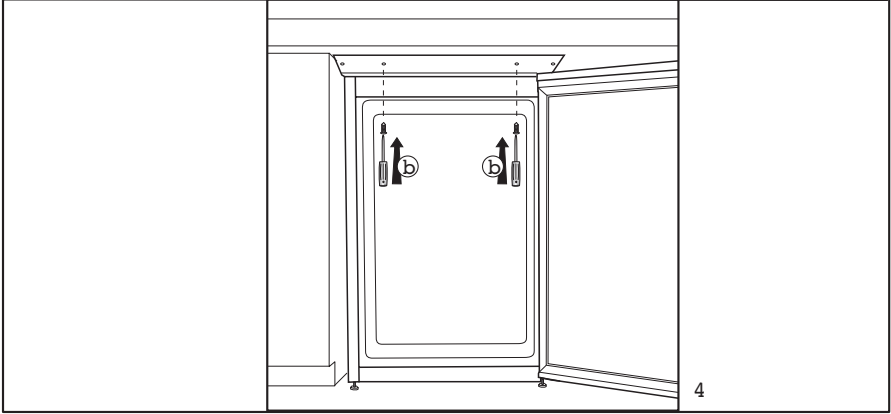
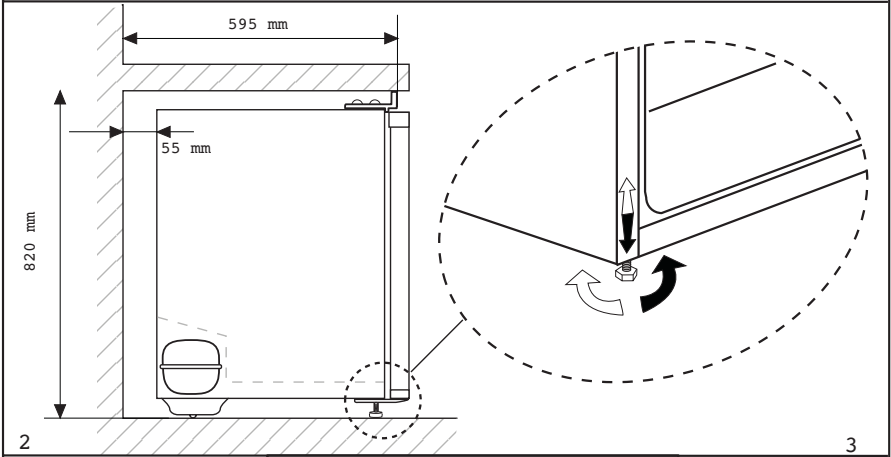
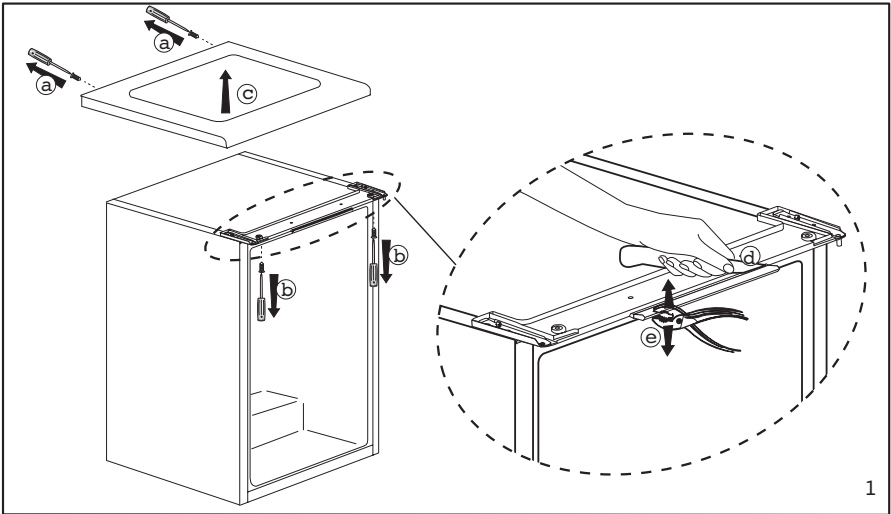
⚠ Si la puerta de entrada a la estancia donde va a instalar el frigorífico no es lo suficientemente ancha como para permitir su paso, solicite al servicio técnico que retire las puertas del frigorífico y lo pase de lado a través de la puerta.

1. Instale el frigorífico en un lugar en el que pueda utilizarse con comodidad.

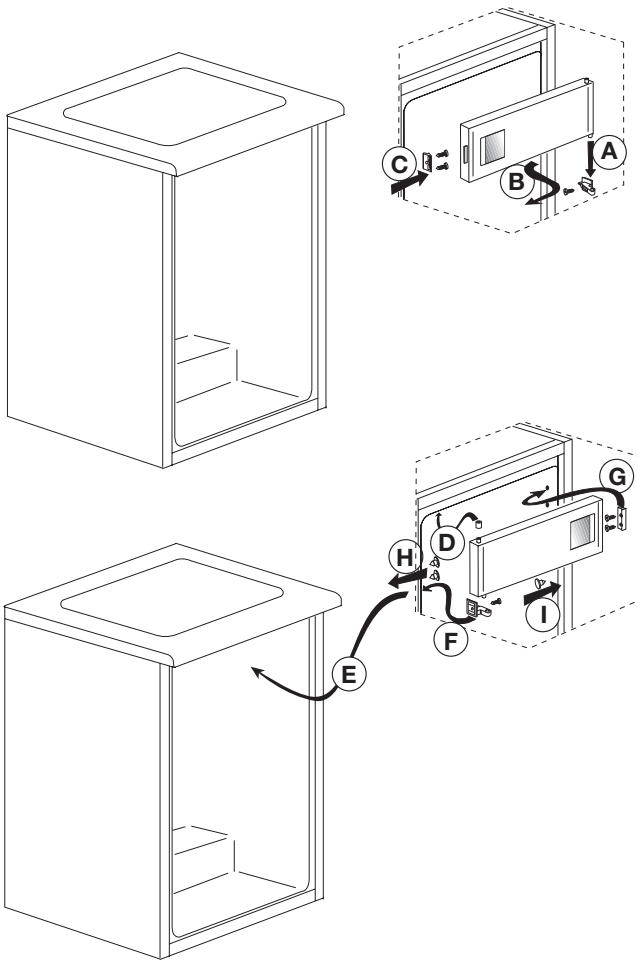
2. Mantenga el frigorífico alejado de fuentes de calor y lugares húmedos y evite su exposición directa a la luz solar.

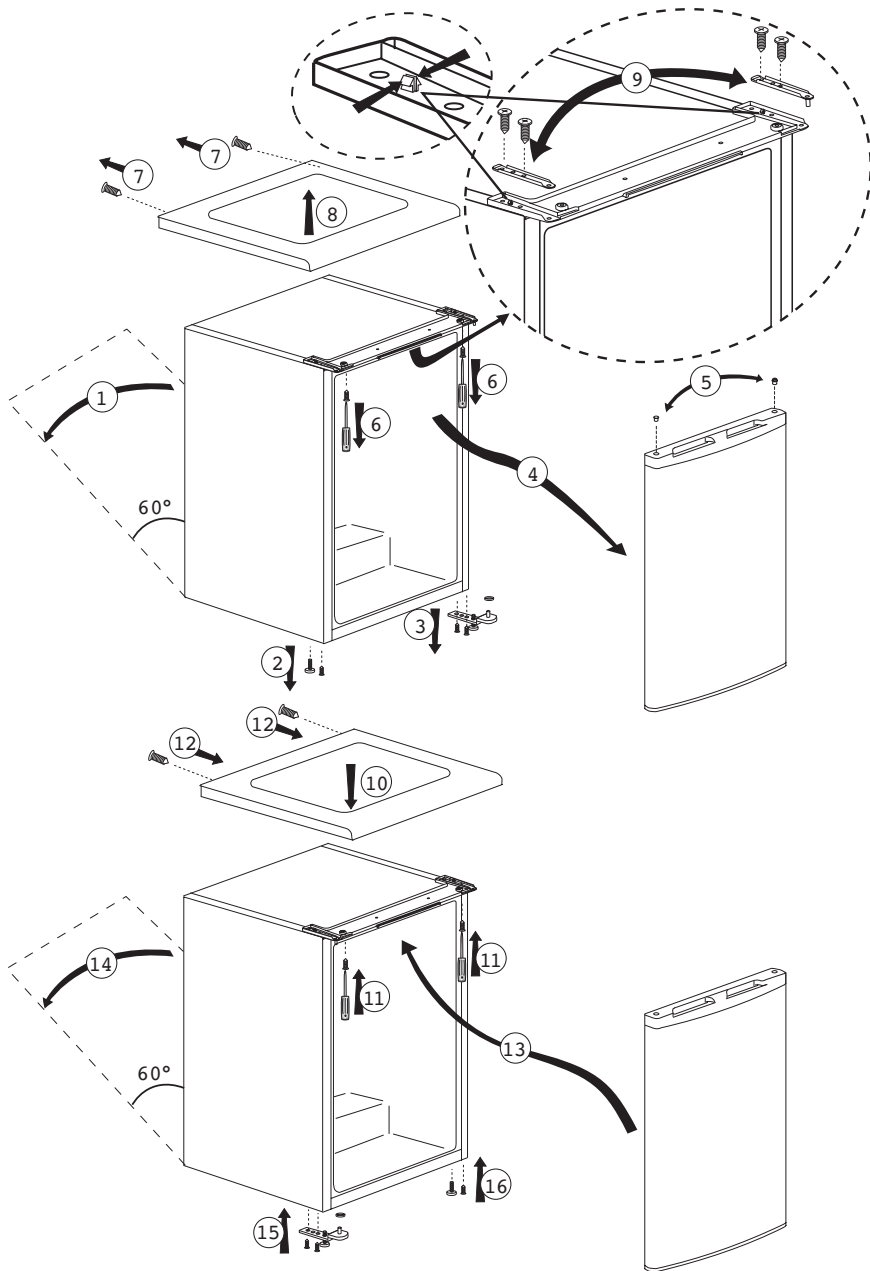
3. Para que el frigorífico funcione con la máxima eficacia, debe instalarse en una zona que disponga de una ventilación adecuada. Si el frigorífico va a instalarse en un hueco de la pared, debe dejarse un mínimo de 5 cm de separación con el techo y de 5 cm con las paredes. Si el suelo está cubierto con una alfombra, deberá elevar el frigorífico 2,5 cm del suelo.

4. Coloque el frigorífico sobre una superficie lisa para evitar sacudidas.



Inversión de las puertas



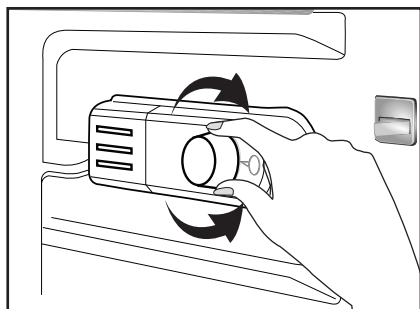


4 Preparación

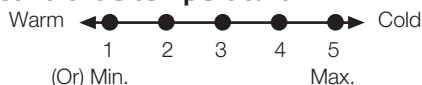
- El frigorífico debe instalarse dejando una separación no inferior a 30 cm respecto a fuentes de calor tales como quemadores, hornos, calefacciones o estufas y no inferior a 5 cm con respecto a hornos eléctricos, evitando asimismo su exposición directa a la luz solar.
- La temperatura ambiente de la estancia donde instale el frigorífico no debe ser inferior a 10 °C. A temperaturas inferiores, el frigorífico puede ver reducida su eficacia.
- Asegúrese de limpiar meticulosamente el interior del frigorífico.
- En caso de que vaya a instalar dos frigoríficos uno al lado del otro, debe dejar una separación no inferior a 2 cm entre ellos.
- Al utilizar el frigorífico por primera vez, siga las siguientes instrucciones referentes a las primeras seis horas.
- No abra la puerta con frecuencia.
- No deposite alimentos en el interior.
- No desenchufe el frigorífico. En caso de corte del suministro eléctrico ajeno a su voluntad, consulte las advertencias de la sección "Sugerencias para la solución de problemas".
- Guarde el embalaje original para futuros traslados.
- Para un consumo eléctrico reducido y mejores condiciones de almacenamiento, las cestas y cajones incluidos con el congelador deberán estar siempre en uso.
- Si los alimentos entran en contacto con el sensor de temperatura del congelador, el consumo eléctrico puede incrementarse. Por tanto, es aconsejable evitar cualquier tipo de contacto con el sensor.
- En algunos modelos, el panel de instrumentos se apaga automáticamente 5 minutos después de cerrar la puerta. Se reactivará cuando se abra la puerta o se pulse cualquier botón.
- Debido al cambio de temperatura como resultado de la apertura/clusura de la puerta del producto durante el funcionamiento, la condensación en los estantes de la puerta/cuerpo y los contenedores de cristal es normal.

5 Uso del frigorífico

Botón de ajuste del termostato



La temperatura de funcionamiento se regula mediante el mando de control de temperatura.



1 = Nivel mínimo de refrigeración (Posición de máximo calor)

5 = Nivel máximo de refrigeración (Posición de máximo frío)

(0)

Mín. = Nivel mínimo de refrigeración

(Posición de máximo calor)

Máx. = Nivel máximo de refrigeración

(Posición de máximo frío)

La temperatura media en el interior del frigorífico debería ser de unos +5 °C.

Seleccione el ajuste en función de la temperatura deseada.

Tenga en cuenta que habrá diferentes temperaturas en el área de refrigeración.

La zona más fría se encuentra situada justo encima del compartimento de las verduras.

La temperatura interior depende asimismo de la temperatura ambiente, la frecuencia de apertura de la puerta y la cantidad de alimentos almacenados.

Una apertura frecuente de la puerta provoca una subida de la temperatura del interior.

Por este motivo, se recomienda cerrar la puerta lo antes posible después de cada uso.

La temperatura interior del frigorífico varía por diversos motivos, entre ellos:

- Temperatura de la estación.
- Abrir la puerta con frecuencia y dejarla abierta durante mucho tiempo.
- Introducir en el frigorífico alimentos sin esperar que su temperatura alcance la temperatura ambiente
- La ubicación del frigorífico en la estancia (por ejemplo, que esté expuesto a la luz solar)
- Puede ajustar las variaciones de la temperatura interior debidas, por ejemplo, a la utilización del termostato. Los números alrededor del botón del termostato indican los grados de enfriamiento.
- Si la temperatura ambiente es superior a 32 °C, coloque el termostato al máximo.
- Si la temperatura ambiente es inferior a 25 °C, coloque el termostato al mínimo.

Refrigeración

Almacenamiento de los alimentos

El compartimento frigorífico está destinado al almacenamiento de alimentos frescos y bebidas por un periodo de tiempo breve.

Congelación

Congelación de alimentos

El compartimento de congelación aparece marcado con el símbolo



El electrodoméstico puede utilizarse para congelar alimentos frescos así como para almacenar preparados precongelados.

Por favor, consulte las recomendaciones que figuran en el envase de los alimentos.

Almacenamiento de alimentos congelados

El compartimento de alimentos congelados aparece marcado con el símbolo

El compartimento de alimentos congelados es adecuado para el almacenamiento de alimentos precongelados. Se deben seguir siempre las recomendaciones para el almacenamiento que figuran en el envase de los alimentos.

Deshielo

A) Compartimento frigorífico

El compartimento frigorífico realiza un deshielo totalmente automático. Se pueden producir gotas de agua y una capa de hielo de hasta 7-8 mm en la pared trasera del compartimento del refrigerador durante su enfriamiento. Esto es normal, como resultado del sistema de enfriamiento. La escarcha se elimina con un desescarche automático en ciertos intervalos de tiempo, gracias al sistema de desescarche automático de la pared trasera. El usuario no tendrá que raspar la capa de hielo o eliminar las gotas de agua.

El agua resultante del deshielo pasa por la ranura de recogida de agua y fluye al evaporizador a través del tubo de drenaje, donde se evapora.

Compruebe con regularidad los posibles atascos del tubo de drenaje y límpielo introduciendo un palillo en el orificio, si es necesario.

El compartimento del congelador no realiza ningún desescarche automático, para evitar cualquier efecto sobre los alimentos congelados.

B) Compartimento congelador

El deshielo es muy sencillo y no presenta complicaciones gracias al especial recipiente de recogida.

Deshelar dos veces al año o cuando se forme una capa de hielo de unos 7 mm. Para iniciar el proceso de deshielo, desconectar el frigorífico y retirar el enchufe de la toma de corriente.

Los alimentos deben envolverse en varias capas de papel de periódico y guardarse en un lugar frío (por ejemplo, un frigorífico o despensa).

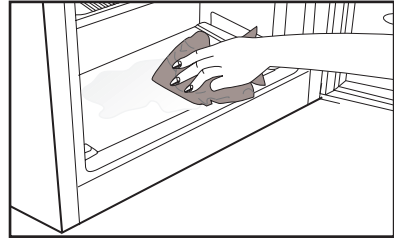
Para acelerar el deshielo, se pueden colocar cuidadosamente recipientes con agua caliente en el congelador.

No utilice nunca objetos con punta o bordes afilados, como cuchillos o tenedores, para retirar el hielo.

No utilizar nunca secadores de pelo, calentadores eléctricos u otros aparatos eléctricos para forzar el desescarchado.

Recoja con una esponja el agua de deshielo depositada en la parte inferior del compartimento del congelador. Una vez finalizado el deshielo, secar completamente el interior.

Inserte el enchufe en la toma de corriente y encender el interruptor.



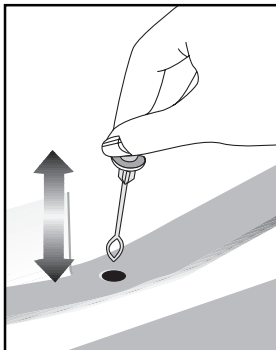
Parada del aparato

Si su termostato dispone de posición "0":

- Su aparato dejará de funcionar al poner el botón del termostato en la posición "0" (cero). El aparato no se pondrá en marcha hasta que no sitúe de nuevo el botón del termostato en la posición "1" o en cualquiera de las demás posiciones.

Si su termostato dispone de posición "min":

- Desenchufe el aparato para detener su funcionamiento.



6 Mantenimiento y limpieza

- ⚠ No utilice nunca gasolina, benceno o sustancias similares para la limpieza.
- ⚠ Le recomendamos desenchufar el aparato antes de proceder a su limpieza.
- ⓘ No utilice nunca para la limpieza instrumentos afilados o sustancias abrasivas, jabones, limpiadores domésticos, detergentes ni ceras abrillantadoras.
- ⓘ En el caso de productos con sistema de enfriamiento cíclico o estático, se pueden producir gotas de agua y una capa de hielo en la pared trasera del compartimento del frigorífico. No lo limpie, nunca aplique aceite o agentes similares en el mismo.
- ⓘ Utilice solo paños de microfibra ligeramente humedecidos para limpiar la superficie exterior del producto. Las esponjas u otro tipo de paños de limpieza pueden rayar la superficie.
- ⓘ Limpie el armario del frigorífico con agua tibia y séquelo con un paño.
- ⓘ Para limpiar el interior, utilice un paño humedecido en un vaso grande de agua con una cucharadita de bicarbonato sódico disuelta y séquelo con un trapo.
- ⚠ Asegúrese de que no penetre agua en el alojamiento de la lámpara ni en otros elementos eléctricos.
- ⚠ Si no va a utilizar el frigorífico durante un periodo prolongado, desenchúfelo, retire todos los alimentos, límpielo y deje la puerta entreabierta.
- ⓘ Compruebe regularmente los cierres herméticos de la puerta para asegurarse de que estén limpios y sin restos de alimentos.
- ⓘ Para extraer las bandejas de la puerta, retire todo su contenido y, a continuación, simplemente empuje la bandeja hacia arriba desde su base.
- ⓘ Nunca use agentes de limpieza o agua que contengan cloro para limpiar las superficies exteriores y los cromados del producto, ya que el cloro corroe dichas superficies metálicas.
- ⓘ No utilice herramientas afiladas y abrasivas ni jabón, productos de limpieza domésticos, detergentes, gasolina, benceno, cera, etc., de lo contrario los sellos en las piezas de plástico se caerán y deformarán. Use agua tibia y un paño suave para limpiar y secar.

Protección de las superficies de plástico

- ⓘ No deposite aceites líquidos o alimentos aceitosos en recipientes no cerrados ya que dañarán las superficies de plástico de su frigorífico. En caso de derrame de aceite sobre las superficies de plástico, limpie y enjuague con agua caliente la parte afectada de inmediato.

7 Sugerencias para la solución de problemas

Le rogamos compruebe la siguiente lista antes de llamar al servicio técnico. Puede ahorrarle tiempo y dinero. Esta lista incluye problemas frecuentes no achacables a defectos en materiales o manufactura. Es posible que algunas de las características mencionadas no estén presentes en su aparato.

El frigorífico no funciona
<ul style="list-style-type: none">• ¿Está el frigorífico convenientemente enchufado? Inserte el enchufe en la toma de corriente.• ¿Están fundidos el fusible principal o el fusible del enchufe al cual ha conectado el frigorífico? Revise los fusibles.
Condensación en la pared lateral del compartimento frigorífico (MULTIZONA, CONTROL DE FRÍO y FLEXI ZONA).
<ul style="list-style-type: none">• Condiciones ambientales muy frías. Frecuente apertura y cierre de la puerta. Nivel alto de humedad ambiental. Almacenamiento de alimentos que contienen líquidos en recipientes abiertos. Dejar la puerta entreabierta. Ponga el termostato a una temperatura más baja.• Deje la puerta abierta durante menos tiempo o ábrala con menos frecuencia.• Cubra los alimentos almacenados en recipientes abiertos con un material adecuado.• Enjugue el agua condensada con un paño seco y compruebe si la condensación persiste.
El compresor no funciona
<ul style="list-style-type: none">• El dispositivo térmico protector del compresor saltará en caso de un corte súbito de energía o de idas y venidas de la corriente, ya que la presión del refrigerante en el sistema de enfriamiento aún no se ha estabilizado. Su frigorífico se pondrá en marcha transcurridos unos 6 minutos. Llame al servicio técnico si su frigorífico no se pone en marcha transcurrido ese periodo.• El frigorífico se encuentra en el ciclo de descongelación. Esto es normal en un frigorífico con descongelación automática. El ciclo de descongelación se produce de forma periódica.• El frigorífico no está enchufado. Asegúrese de que el enchufe esté bien colocado en la toma.• ¿Está la temperatura correctamente fijada?• Puede haberse cortado el suministro eléctrico.
El frigorífico está en funcionamiento con frecuencia o durante periodos prolongados.

- Puede que su nuevo frigorífico sea más grande que el que tenía anteriormente. Esto es perfectamente normal. Los frigoríficos de mayor tamaño funcionan durante más tiempo.
- Puede que la temperatura ambiente de la estancia sea alta. Esto es perfectamente normal.
- Es posible que haya enchufado el frigorífico o bien lo haya cargado de alimentos recientemente. Puede que el frigorífico tarde unas dos horas en enfriarse por completo.
- Es posible que recientemente haya depositado grandes cantidades de alimentos en el frigorífico. Los alimentos calientes pueden ocasionar que el frigorífico trabaje durante más tiempo hasta alcanzar la temperatura de almacenamiento seguro.
- Es posible que las puertas se hayan abierto con frecuencia o que se hayan dejado entreabiertas por un tiempo prolongado. El aire caliente que ha penetrado en el frigorífico hace que éste funcione durante más tiempo. Abra las puertas con menos frecuencia.
- Es posible que la puerta del compartimento frigorífico o congelador se haya dejado entreabierta. Compruebe que las puertas estén bien cerradas.
- El frigorífico está ajustado a una temperatura muy baja. Ajuste la temperatura del frigorífico a un valor más alto y espere a que se alcance dicha temperatura.
- La junta de la puerta del compartimento frigorífico o congelador puede estar sucia, desgastada, rota o no asentada correctamente. Limpie o sustituya la junta. Una junta rota o dañada hace que el frigorífico funcione durante más tiempo con el fin de mantener la temperatura actual.

La temperatura del congelador es muy baja, mientras que la del frigorífico es correcta.

- La temperatura del congelador está ajustada a un valor muy bajo. Ajuste la temperatura del congelador a un valor más elevado y compruebe.

La temperatura del frigorífico es muy baja, mientras que la del congelador es correcta.

- La temperatura del compartimento frigorífico podría estar ajustada a un valor muy bajo. Ajuste la temperatura del frigorífico a un valor más elevado y compruebe.

Los alimentos depositados en los cajones del compartimento frigorífico se están congelando.

- La temperatura del compartimento frigorífico podría estar ajustada a un valor muy bajo. Ajuste la temperatura del frigorífico a un valor más elevado y compruebe.

La temperatura del congelador o el frigorífico es muy alta.

<ul style="list-style-type: none"> • La temperatura del compartimento frigorífico podría estar ajustada a un valor muy alto. El ajuste de la temperatura del frigorífico afecta a la temperatura del congelador. Cambie la temperatura del frigorífico o del congelador hasta que alcance un nivel suficiente. • Es posible que las puertas se hayan abierto con frecuencia o que se hayan dejado entreabiertas por un tiempo prolongado; ábralas con menor frecuencia. • Se ha podido dejar la puerta entreabierta; cierre la puerta completamente. • Es posible que recientemente haya depositado grandes cantidades de alimentos en el frigorífico. Espere hasta que el frigorífico o el congelador alcance la temperatura deseada. • Es posible que el frigorífico haya sido enchufado recientemente. Enfriar por completo el frigorífico lleva un tiempo.
El nivel de ruidos propios del funcionamiento se incrementa cuando el frigorífico está en marcha.
<ul style="list-style-type: none"> • El rendimiento del frigorífico puede cambiar en función de las variaciones en la temperatura ambiente. Esto es perfectamente normal, no es ninguna avería.
Vibraciones o ruidos.
<ul style="list-style-type: none"> • El suelo no está nivelado ni es firme. El frigorífico oscila al moverlo lentamente. Compruebe que el suelo esté nivelado y que sea capaz de soportar el peso del frigorífico. • El ruido puede deberse a los elementos guardados en el frigorífico. Retire los objetos colocados sobre el frigorífico.
Pueden oírse ruidos como si un líquido se derramara o se pulverizara.
<ul style="list-style-type: none"> • Los líquidos y gases fluyen en función de los principios de funcionamiento del frigorífico. Esto es perfectamente normal, no es ninguna avería.
Puede oírse un ruido parecido al viento.
<ul style="list-style-type: none"> • Se utilizan ventilador para enfriar el frigorífico. Esto es perfectamente normal, no es ninguna avería.
Condensación en las paredes interiores del frigorífico.
<ul style="list-style-type: none"> • El tiempo cálido y húmedo favorece la formación de hielo y la condensación. Esto es perfectamente normal, no es ninguna avería. • Pueden haberse dejado las puertas entreabiertas; asegúrese de cerrarlas completamente. • Es posible que las puertas se hayan abierto con frecuencia o que se hayan dejado entreabiertas por un tiempo prolongado; ábralas con menor frecuencia.
Hay humedad en el exterior del frigorífico o entre las puertas.
<ul style="list-style-type: none"> • Puede haber humedad en el aire; es algo bastante normal en lugares húmedos. Cuando el grado de humedad descienda, la condensación desaparecerá.

Mal olor en el interior del frigorífico.

- El interior del frigorífico debe limpiarse. Limpie el interior del frigorífico con una esponja empapada en agua caliente o agua con gas.
- Es posible que el olor provenga de algún recipiente o envoltorio. Utilice otro recipiente o materiales para envolver de una marca diferente.

La puerta no cierra.

- Puede que los paquetes de alimentos depositados no dejen que las puertas se cierren. Recolecte los paquetes que estén obstruyendo la puerta.
- El frigorífico no se ha colocado completamente vertical y podría oscilar cuando se mueve ligeramente. Ajuste los tornillos de elevación.
- El suelo no está nivelado o no es firme. Compruebe que el suelo esté nivelado y que sea capaz de soportar el peso del frigorífico.

Los cajones están atascados.

- Es posible que algún alimento toque el techo del cajón. Cambie la distribución de los alimentos en el cajón.

Palun lugege esmalt juhendit!

Kallis klient,

Me loodame, et teie toode, mis on toodetud moodsates tehastes ja kontrollitud kõige põhjalikumate kvaliteedikontrolli protseduuridega, teenib teid hästi.

Selleks soovitame teil põhjalikult kogu tootejuhendi läbi lugeda enne toote kasutamist ja hoida see ka tulevikuks käepärast.

See juhend

- Aitab teil oma seadet kasutada kiirelt ja ohutult.
- Lugege juhendit enne seadme paigaldamist ja kasutamist.
- Järgige juhiseid, eriti ohutusteemalisi.
- Hoidke juhendit kättesaadavas kohas, kuna te võite seda ka hiljem vajada.
- Lisaks lugege ka teisi tootega kaasas olevaid dokumente.

Palun pange tähele, et see juhend võib kehtida ka teiste mudelite kohta.

Sümbolid ja nende kirjeldused

See kasutusjuhend sisaldab järgnevaid sümboleid:

 Oluline teave või kasulikud näpunäited.

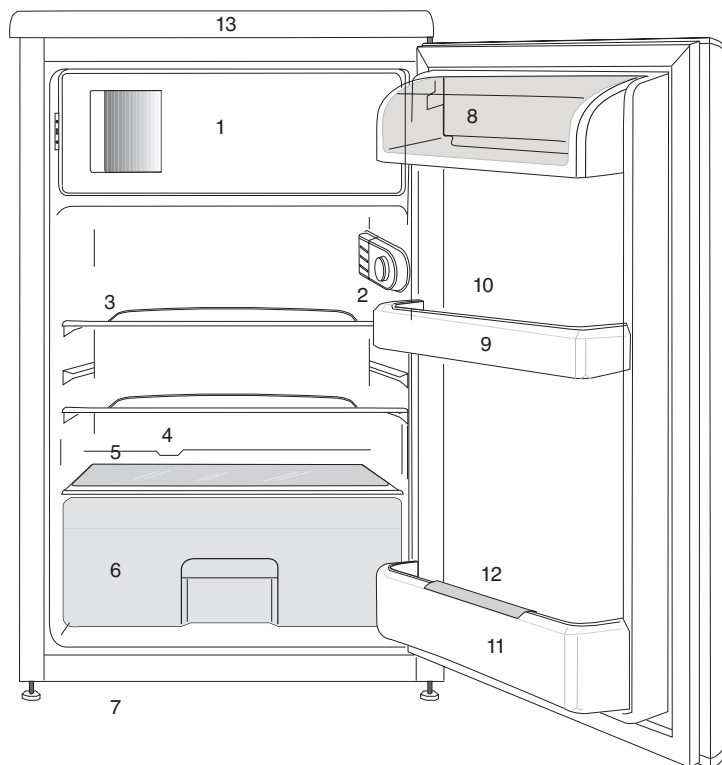
 Hoiatus elule ja varale ohtlike tingimuste eest.

 Hoiatus elektripinge eest.

SISUKORD

1 Teie külmik	4	4 Ettevalmistus	14
2 Olulised hoiatused ohutuse tagamiseks	5	5 Külmiku kasutamine	18
Kasutusotstarve	5	Külmutus.....	18
Veedosaatoriga toodete puhul:	8	Toiduainete külmutamine	18
Laste ohutuse tagamine.....	8	Jääkuubikute valmistamine	19
WEEE direktiivi täitmine ja romuseadme kõrvaldamine:	9	Külmutatud toiduainete säilitamine	19
RoHS-direktiivi täitmine:.....	9	Seadme sulatamine.....	19
Teave pakendi kohta	9	Jahutamine.....	20
Ohuhoiatus	9	Toiduainete hoidmine	20
Mida saab teha energia säästmiseks	9	Seadme sulatamine.....	20
3 Paigaldamine	11	6 Hooldus ja puhastamine	21
Mida pidada meeles külmiku hilisemal transportimisel.....	11	Plastpindade kaitse	21
Enne külmiku kasutamist.....	11	7 Soovituslikud lahendused probleemidele	22
Elektriühendus.....	11		
Pakendi utiliseerimine.....	12		
Vana külmiku utiliseerimine.....	12		
Asukoha valik ja paigaldamine.....	12		
Jalgade seadistamine.....	13		
Valgusti pirni vahetamine	13		
Paigaldamine (tööpinna alla).....	13		

1 Teie külmik



1. a.) Sügavkülmkambrī & jääkarp
(***) mudelitele)b.) Külmutuskambri
& jääkarp (***) mudelid)

2. Sisevalgustus& Termostaadi nupp

3. Jahutuskambri riulid

4. Sulatusvee kogumiskanal-

äravoolutoru

5. Juurviljakasti kate

6. Salatikast

7. Reguleeritavad esijalad

8. Või ja juustu kambrid

9. Ukseriulid

10. Munarest

11. Pudelihiul

12. Pudelihoidik

13. Ülemine laud

Kasutusjuhendis esinevad joonised on skemaatilised ja ei pruugi täpselt vastata teie tootele. Kui kõnealused osad ei ole teie soetatud tootega kaasas, kehtib see teiste mudelite kohta.

2 Olulised hoiatused ohutuse tagamiseks

Palun tutvuge alljärgneva teabega. Selle teabe eiramine võib põhjustada vigastusi või materiaalselt kahju. Vastasel korral muutuvad kõik garantiid ja töökindluse tagatised kehtetuks.

Originaalvaruosad on saadaval 10 aasta jooksul alates ostukuupäevast.

Kasutusotstarve

⚠	HOIATUS: Ärge blokeerige seadme korpuses võisisehitatud karkassis olevaid ventilatsiooniasasid.
⚠	HOIATUS: Ärge kasutage sulatamise protsessi kiirendamiseks mehaanilisi või teisi vahendeid, välja arvatud juhul kui nende kasutamist soovib tootja.
⚠	HOIATUS: Ärge kahjustage külmutusaine ringlust.
⚠	HOIATUS: Ärge kasutage seadme toidu säilitamise kambrites elektrilisi seadmeid, välja arvatud juhul kui seda tüüpi seadmete kasutamist soovib tootja.

HOIATUS!



Ärge hoidke seadmes plahvatusohtlikke aineid (nt tuleohtliku propellendiga aerosoolpakendid).

See seade on mõeldud kasutamiseks kodukeskkonnas ja sarnastes tingimustes, näiteks

- kaupluste, kontorite ja teiste töökeskkondade personalialade köökides;
- talumajapidamistes ja hotellides, motellides ja teistes eluruumi tüüpi keskkondades klientide kasutuses.

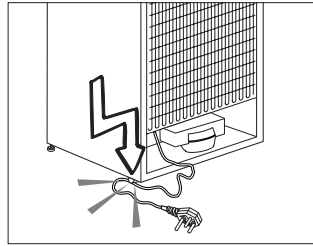
Üldohutus

- Kui soovite toote utiliseerida või vanametalli saata, soovitage teil vajaliku teabe ja volitatud asutuste leidmiseks konsulteerida volitatud teenindusega.
- Kõigi külmikuga seotud küsimuste ja probleemide osas konsulteerige volitatud teenindusega. Ärge tegutsege külmiku kallal ega laske kellelgi teisel seda teha ilma volitatud teenindust teavitamata.
- Külmutuskambriga toodete puhul: ärge sööge jäätist ja jääkuubikuid kohe pärast sügavkülmikust väljavõtmist! (See võib tekitada suus külmaville.)

- Külmutuskambriga toodete puhul: ärge pange pudelisse ja purki villitud jooke sügavkülmikusse. Vastasel juhul võivad nad lõhkeda.
- Ärge puudutage külmutatud toiduaineid palja käega; need võivad käe külge kinni jääda.
- Enne puhastamist või sulatamist eemaldage külmik vooluvõrgust.
- Külmiku puhastamiseks ja sulatamiseks ei tohi kunagi kasutada auru ning pihustatavaid puhastusvahendeid. Sellistel juhtudel võib aur sattuda kontakti elektriosadega ja põhjustada lühise või elektrilöögi.
- Ärge kunagi kasutage külmiku osasid (nt uks) toetus- või astumispinnana.
- Ärge kasutage külmiku sees elektriseadmeid.
- Ärge vigastage puurimis- või lõikeriistadega külmiku osi, kus ringleb külmutusaine. Aurustaja, torupikenduste või pinnakattevahendite augustamisel välja lenduda võiv külmutusaine põhjustab nahaärritust ja silmakahjustusi.
- Ärge katke ega blokeerige külmiku ventilatsiooniavasid.
- Elektriseadmeid võivad parandada ainult volitatud isikud. Ebakompetentsete isikute tehtud parandused võivad olla kasutajale ohtlikud.
- Rikke, hooldus- või parandustöö korral ühendage külmik vooluvõrgust lahti kas vastava kaitsme väljalülitamise või pistiku lahtiühendamise teel.
- Pistiku lahtiühendamisel ärge tõmmake juhtmest.
- Veenduge, et suure alkoholisaldusega joogid on ladustatud turvaliselt, korgid kinni ja anumad püstises asendis.
- Ärge hoidke külmikus aerosoolpakendeid tule- ja plahvatusohtlike ainetega.
- Ärge kasutage sulatusprotsessi kiirendamiseks mehaanilisi seadmeid ega muid vahendeid peale tootja soovitatute.
- Toode ei ole mõeldud kasutamiseks piiratud füüsiliste, sensoorsete või vaimsete võimetega, samuti puudulike kogemuste ja teadmistega isikute (sealhulgas laste) poolt, välja arvatud nende turvalisuse eest vastutava isiku juuresolekul ja juhendamisel.
- Ärge kasutage vigastatud külmikut. Probleemide korral pidage nõu volitatud teenindusega.
- Teie külmiku elektriline ohutus on tagatud ainult siis, kui teie maja maandussüsteem vastab standarditele.
- Toote kokkupuutumine vihma, lume, päikese ja tuulega on elektriohutuse seisukohast

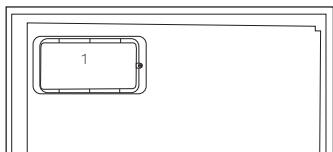
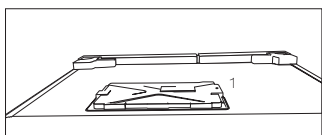
- Et vältida ohtliku olukorra teket, pöörduge toitejuhtme vigastuse korral volitatud teenindusse.
- Paigalduse ajal ärge ühendage külmiikut seinakontakti. Vastasel korral võib tekkida surma või raske vigastuse oht.
- See külmik on mõeldud ainult toidu hoiustamiseks. Seda ei tohi kasutada teistel eesmärkidel.
- Tehniliste andmete silt paikneb külmiiku sees vasakpoolsel seinal.
- Ärge kunagi ühendage külmiikut energiasäästusüsteemiga – see võib külmiikut kahjustada.
- Kui külmiikul on sinine valgustus, ärge vaadake seda valgust pikemat aega palja silmaga ega läbi optiliste seadmete.
- Käitsi juhitud külmiikute puhul oodake pärast voolukatkestust vähemalt 5 minutit, enne kui külmiiku sisse lülitate.
- Omanikuvahetuse puhul tuleks kasutusjuhend edasi anda külmiiku järgmisele omanikule.
- Külmiiku transportimisel vältige toitejuhtme kahjustamist. Toitejuhtme painutamise tagajärjel võib tekkida tulekahju. Toitejuhtme peale ei tohi kunagi asetada raskeid esemeid. Ärge ühendage pistikut seinakontakti märgade

kättega.



- Ärge ühendage külmiikut logiseva seinakontaktiga.
- Ohutuse huvides ei tohi pritsida vett otse külmiiku sisemistele või välimistele osadele.
- Tulekahju ja plahvatuse ohu vältimiseks ärge pihustage külmiiku lähedal kergestisüttivaid aineid (nt propaangaas).
- Ärge asetage külmiiku peale veega täidetud esemeid, kuna see võib põhjustada elektrilöögi või tulekahju.
- Ärge pange külmiikusse liiga suurt kogust toitu. Liiga täis pandud külmiikust võivad toidud ukse avamisel välja kukkuda ning teid ennast või külmiikut kahjustada. Ärge asetage külmiiku peale esemeid, kuna need võivad külmiiku ukse avamisel või sulgemisel alla kukkuda.
- Külmiikus ei tohi hoida vaktsiine, temperatuuritundlikke ravimeid, teaduslikke aineid jne, mis nõuavad kindlaid temperatuuritingimusi.
- Kui külmiikappi pole kavas pikemat aega kasutada, tõmmake pistik kontaktist välja. Toitejuhtme võimalik defekt võib põhjustada tulekahju.

- Kui reguleeritavad jalad ei ole kindlalt vastu pörandat, võib külmik paigast nihkuda. Et vältida külmiku nihkumist, tuleks reguleeritavad jalad pörandal korralikult fikseerida.
- Külmikut teisaldades ärge hoidke kinni uksekäepidemest. Vastasel korral võib see puruneda.
- Kui peate toote paigaldama teise külmiku või sügavkülmiku kõrvale, peab seadmete vahele jääma vähemalt 8 cm vaba ruumi. Vastasel juhul võivad külgliseinad niiskeks muutuda.
- Ärge kasutage toodet, kui selle ülaosas või taga sisemuses asuv elektroonika trükiplaat on avatud (elektroonika trükiplaadi korpusekate) (1).



Veedsaatoriga toodete puhul:

- Külma vee sisselaske surve võib maksimaalselt olla 90 naela ruuttollile (620 kPa). Kui veesurve ületab 80 naela ruuttollile (550 kPa), siis kasutage vooluvõrgusüsteemis rõhuregulaatorit. Kui te ei tea, kuidas veesurvet kontrollida, siis pidage nõu professionaalse torumehega.
- Kui seadmete installeerimisel on vee hüdraullilise löögi oht, siis kasutage alati seda vältivat varustust. Kui te ei ole kindel, kas installeerimisel on vee hüdraullilise löögi oht, siis konsulteerige professionaalse torumehega.
- Ärge paigaldage soojaveesisendile. Võtke tarvitusele ettevaatusabinõud, et ei tekiks voolikute külmumise ohtu. Veetemperatuuri operatsioonivahemik peab olema 0,6°C (33°F) kuni 38°C (100°F).
- Kasutage ainult joogikõlblikku vett.

Laste ohutuse tagamine

- Kui ukseks on lukk, tuleks võtit hoida väljaspool laste käeulatus.
- Hoidke lastel silma peal, et nad ei saaks seadmega mängida.

WEEE direktiivi täitmine ja romuseadme kõrvaldamine:



Seade vastab Euroopa Liidu WEEE direktiivile (2012/19/EL). Seadmel on elektri- ja

elektroonikaseadmete jäätmete (WEEE) liigiti kogumise tähis.

Seade on valmistatud kvaliteetsetest osadest ja materjalidest, mis sobivad ringlussevõtmiseks ja taaskasutamiseks. Ärge visake tarbetuks muutunud seadet tavalise olmeprügi ega muude jäätmete hulka. Viige see elektri- ja elektroonikajäätmete kogumispunkti. Kogumispunktide kohta saate täpsemat teavet kohalikust omavalitsusest.

RoHS-direktiivi täitmine:

Seade vastab Euroopa Liidu RoHS-direktiivile (2011/65/EL). See ei sisalda direktiivis mainitud kahjulikke ja keelatud materjale.

Teave pakendi kohta

Vastavalt meie riiklikele keskkonnanäeskirjadele on toote pakend valmistatud taaskasutatavatest materjalidest. Ärge visake pakkematerjale tavalise

olmeprügi või muude jäätmete hulka. Viige need kohaliku omavalitsuse poolt määratud pakendikogumispunkti.

Ohuhoiatus

Kui teie toote jahutussüsteem sisaldab ainet R600a:

See gaas on tuleohtlik. Seega olge ettevaatlik, et mitte kasutuse ja transpordi ajal jahutussüsteemi ning torustikku vigastada. Vigastuse korral hoidke toodet eemal potentsiaalsetest tuleallikatest, mis selle süüdata võiksid, ja ventileerige ruumi, milles seade asub.

See hoiatus ei puuduta teid, kui teie toote jahutussüsteem sisaldab ainet R134a.

Tootes kasutatava gaasi tüüp on kirjas andmesildil, mis paikneb külmiku sees vasakpoolsel seinal. Ärge kunagi seadet põletage.

Mida saab teha energia säästmiseks

- Ärge hoidke oma külmiku uksti pikalt lahti.
- Ärge pange külmikusse kuuma toitu-jooke.
- Ärge laadige külmikut liiga täis, et õhk saaks vabalt ringelda.
- Ärge paigaldage oma külmikut otsese päikesevalguse kätte või kuumust kiirgavate seadmete lähedale (nt ahjud, nõudepesumasina või radiaatorid).

- Hoidke toitu suletud nõudes.
- Külmutuskambriga toodete puhul: et külmutuskamber mahutaks võimalikult palju, võite eemaldada riiuli või sahtli. Külmiku energiakulu ametlik väärtus on saadud maksimaalse täituvuse juures, kui külmutuskambri riiul või sahtel on eemaldatud. Riiulit või sahtlit võib vabalt kasutada vastavalt külmutatavate toiduainete kujule ja suurusele.
- Külmutatud toidu sulatamine jahutuskambris võimaldab säästa energiat ning ühtlasi säilitada toidu kvaliteeti.

3 Paigaldamine

⚠ Palun jätke meelde, et tootja vabaneb vastutusest, kui selles kasutusjuhendis antud teavet arvesse ei võeta.

Mida pidada meeles külmiku hilisemal transportimisel

1. Külmik tuleb enne igasugust liigutamist tühendada ja puhastada.
2. Riivlid, lisaseadmed, köögiviljasahtel jms tuleb teibi abil enne uuesti pakendamist raputuste kaitseks kindlalt kinnitada.
3. Pakend tuleb siduda paksu teibi ja tugevate köite abil ning tuleb järgida pakendile trükitud transpordireegleid.

Palun ärge unustage...

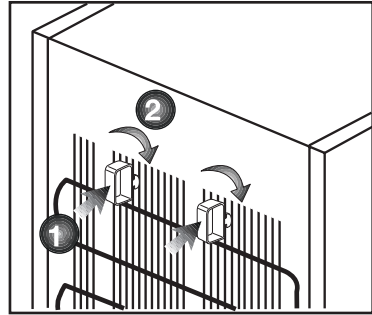
Iga ümbertöödeldud ese on hädavajalik abi loodusele ja meie loodusressurssidele.

Kui soovite panustada pakkematerjalide ümbertöötlemisse, saate lisateavet keskkonnakaitseasutustest või kohalike võimuorganite käest.

Enne külmiku kasutamist

Enne külmiku kasutama hakkamist kontrollige järgmist:

1. Kas külmiku sisemus on kuiv ja kas õhk saab selle tagaosas vabalt liikuda?
2. Puhastage külmiku sisemus, nagu soovitatud peatükis "Hooldus ja puhastamine".



3. Ühendage külmik seinakontakti. Kui külmiku uks on avatud, läheb jahutuskambri tuli põlema.
4. Kompressori käivitumisega kaasneb müra. Jahutussüsteemis olev vedelik ja gaasid võivad samuti müra tekitada, seda isegi juhul kui kompressor ei tööta - see on täiesti normaalne.
5. Külmiku esiservad võivad tunduda soojad. See on täiesti normaalne nähtus. Need alad peavad olema soojad, et vältida kondensaadi teket.
6. Sisestage 2 plastikust kiilu tagumise õhuava peale, nagu näidatud alloleval joonisel. Plastikust kiilud tagavad õhu liikumiseks vajaliku vahemaa külmiku ja seina vahel.

Elektriühendus

Ühendage seade maandatud pistikupesasse, mida kaitseb sobiva nimivoolutugevusega kaitse.

NB!

- Ühendus peab vastama riiklikele nõuetele.
- Toitejuhe peab olema pärast paigaldust kergesti ligipääsetav.

- Ettenähtud pinge peab vastama teie vooluvõrgu pingele.
 - Ühendamiseks ei tohi kasutada pikendusjuhtmeid ja harupistikuid.
- ⚠ Kahjustatud toitejuhe tuleb lasta välja vahetada kvalifitseeritud elektrikul.
- ⚠ Toodet ei tohi enne selle parandamist kasutada! Elektrilöögi oht!

Pakendi utiliseerimine

Pakkematerjalid võivad olla lastele ohtlikud. Hoidke pakkematerjale lastele kättesaamatus kohas või utiliseerige need, sorteerides need vastavalt jäätmekäitlusjuhistele. Ärge visake neid ära koos majapidamisjäätmetega.

Teie külmiku pakend on toodetud ümbertöödeldavatest materjalidest.

Vana külmiku utiliseerimine

Utiliseerige oma vana seade keskkonda kahjustamata.

- Külmiku utiliseerimise osas võite nõu pidada volitatud edasimüüjaga või oma haldusüksuse jäätmekäitluskeskusega.

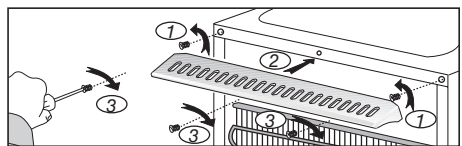
Ennekülmiku utiliseerimist ühendage lahti elektripistik ja kui uksele on lukke, muutke need kasutuskõlbmatuks, et kaitsta lapsi ohtude eest.

Asukoha valik ja paigaldamine

⚠ Kui külmik ei mahu läbi ukse ruumi, kuhu soovite seda paigaldada, pöörduge volitatud teenindusse. Tehnik saab külmiku ukse eemaldada, nii et see mahub küll läbi ukseava.

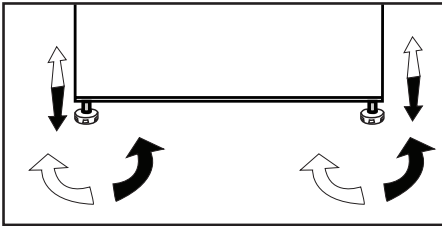
1. Paigaldage külmik kohta, kus seda on kerge kasutada.
2. Hoidke külmikut eemal soojusallikatest, niisketest kohtadest ja otsesest päikesevalgusest.
3. Külmiku tõhusa töö tagamiseks peab selle ümbruses toimuma piisav õhuringlus. Kui kavatsete paigutada külmiku seinarova, peab see jääma laest ja seintest vähemalt 5 cm kaugusele. Kui põrand on kaetud vaibaga, tuleb toode tõsta põrandast 2,5 cm kõrgusele.
4. Põrutuste vältimiseks asetage külmik ühetasasele põrandapinnale.

Kui teie seadmel on õhurest, vaadake õhuresti paigaldamise juhiseid.



Jalgade seadistamine

Kui teie külmik on tasakaalust väljas; Saate oma külmikut tasakaalustada, kui pöörate esimesed jalad nii, nagu joonisel näidatud. Jalaga nurk langeb, kui pöörate seda musta noole suunas, ja tõuseb, kui pöörate seda vastupidises suunas. Kellegi appi kutsumine külmikut õrnalt kergitama on selle tegevuse juures suureks abiks.



Valgusti pirni vahetamine

Külmiku sisevalgusti pirni vahetamiseks pöörduge volitatud teenindusse.

Lamp/lambid, mida selles seades kasutatakse, ei sobi kodumajapidamise siseruumide valgustamiseks. Selle lambi sihtotstarbeks, on aidata kasutajal paigutada toiduaineid külmikusse/sügavkülmikusse ohutult ja mugavalt.

Las lámparas utilizadas en este electrodoméstico deben soportar unas condiciones físicas extremas como temperaturas inferiores a -20° C.

Paigaldamine (tööpinna alla)

- Tööpinna sisekõrgus peaks olema 820 mm.(!) Kui seade on paigaldatud tööpinna alla, eti tohi tööpinna selle osa peale asetada pliiti vms küttekeha.
- Seinakontakt pistiku ühendamiseks peab paiknema seadme parema või vasaku külje lähedal.
- Eemaldage seadme ülemine kate. Eemaldada tuleb 4 kruvi (2 tagaküljel, 2 esiserva all).

Joon.1

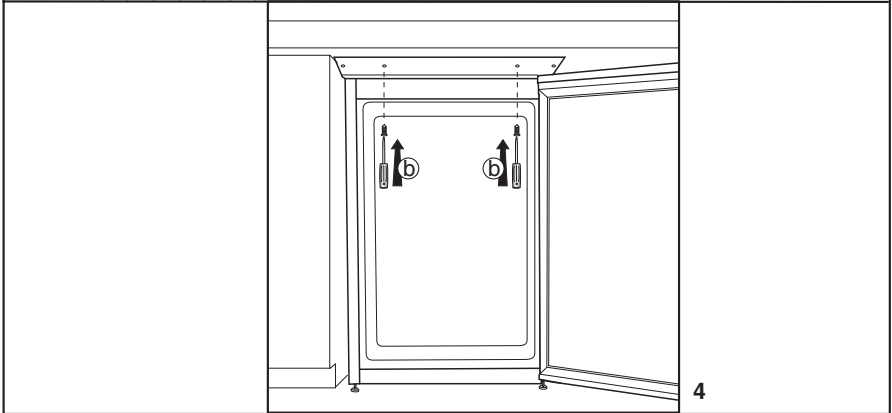
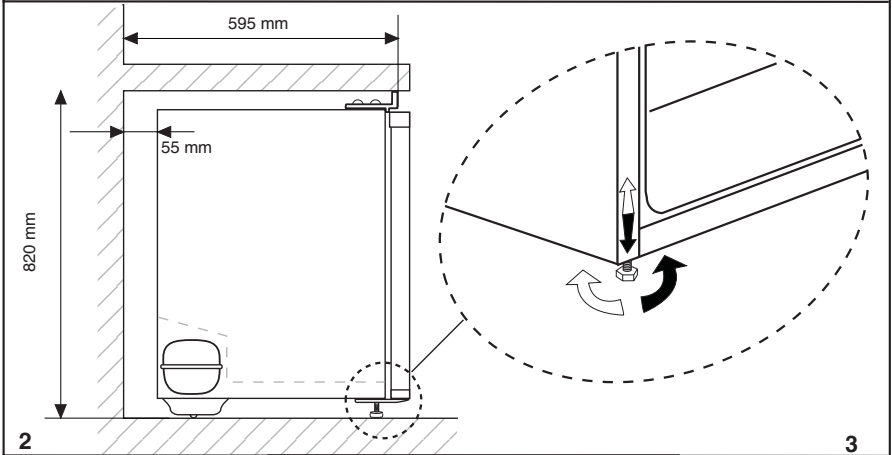
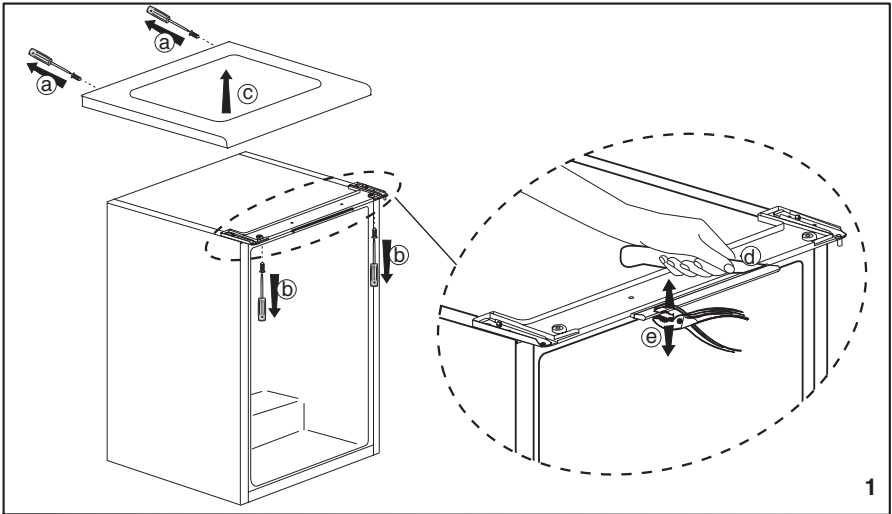
- Lõigake lahti joonisel näidatud osa ja eemaldage see tangide abil.
- Asetage seade tööpinna alla ja reguleerige esijalgu, kuni ülemine serv puutub vastu tööpinda.
- Toote kasutamiseks tööpinna all peab ülemisel plastist ühendusdetailil olev märg jäama seinast vähemalt 595 mm kaugusele.

Joon. 2-3

- Kinnitage seade tööpinna alla ülemiselt kattelt eemaldatud 2 kruvi abil. (Tööpind peab olema plasti- või puidupõhisest materjalist!)

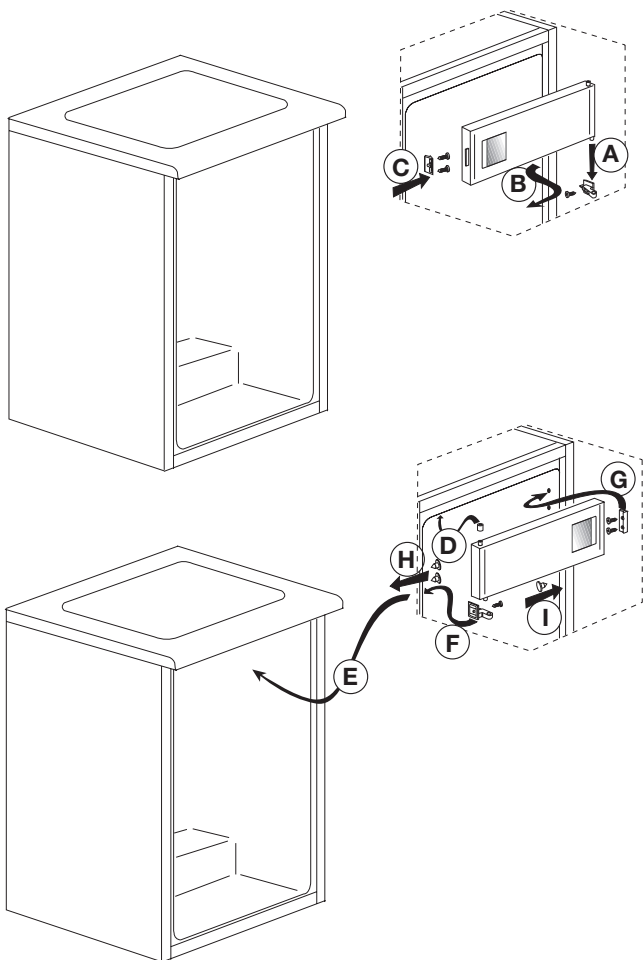
Joon. 4

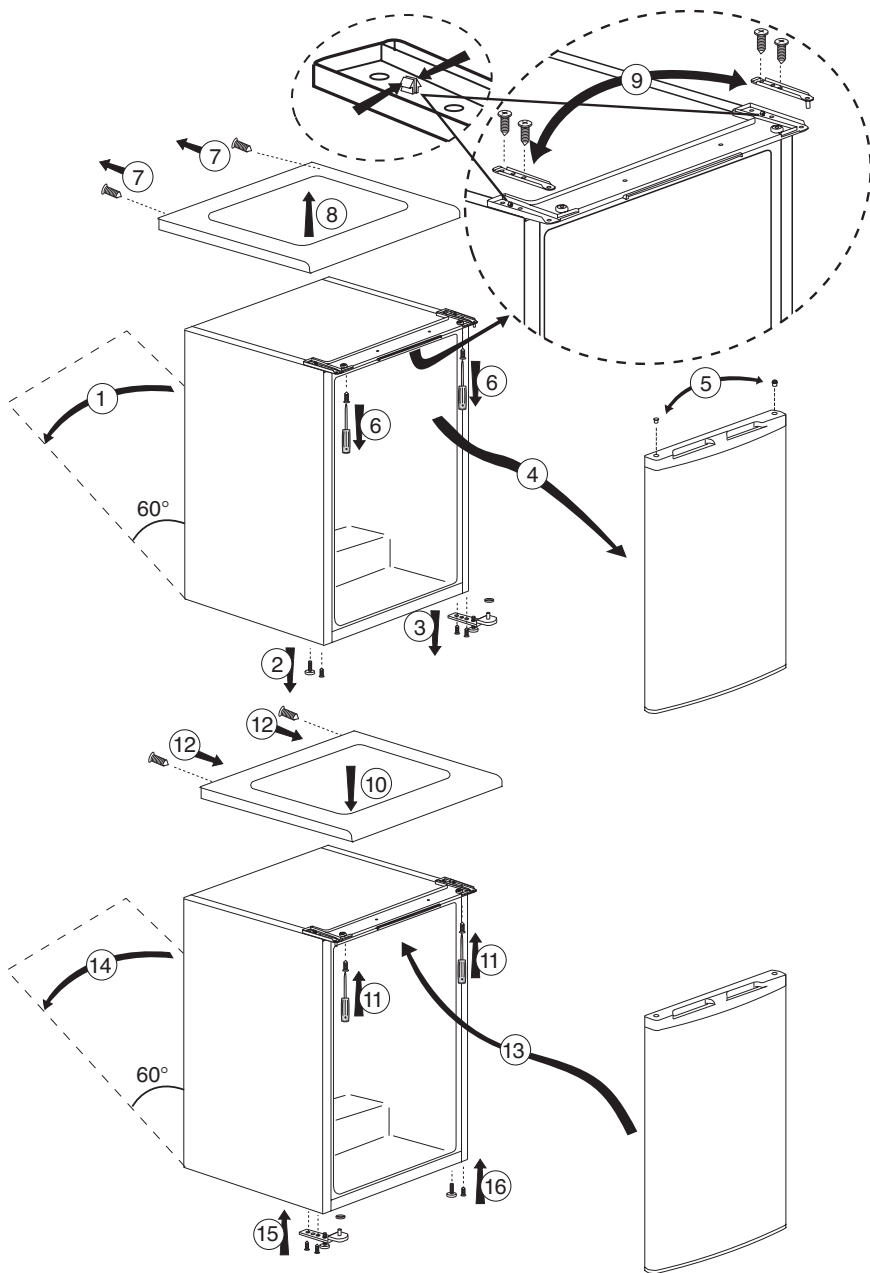
- Teie külmik tuleks paigaldada vähemalt 30 cm kaugusele kuumusallikatest nagu pliidirauad, ahjud, keskküttesüsteem ja pliidad, ning vähemalt 5 cm kaugusele elektrialhjustest. Samuti ei tohiks see asuda otsese päikesevalguse käes.
- Külmiku paigaldamiseks kasutatava ruumi temperatuur peaks olema vähemalt 10°C. Jahedamates tingimustes külmiku kasutamine ei ole tõhususe vähenemise tõttu soovitatav.
- Palun veenduge, et külmiku sisemus on korralikult puhastatud.
- Kui kaks külmikut paigaldatakse kõrvuti, peaks nende vahele jääma vähemalt 2 cm ruumi.
- Kui kasutate külmikut esimest korda, järgige palun esimese kuue tunni jooksul järgnevaid juhiseid.
- Ust ei tohiks sagedasti avada.
- See peab töötama tühjalt, ilma et toitu sees oleks.
- Ärge ühendage külmikut vooluvõrgust lahti. Kui tekib teist sõltumatu voolukatkestus, vaadake palun hoiatusi "Soovituslikud lahendused probleemidele" peatükis.
- Originaalpakend ja vahtmaterjal tuleks alles jätta juhiks, kui tulevikus on vaja külmikut liigutada või kolida.
- Mõnedel mudelitel lülitub juhtpaneel automaatselt 5 minutit peale ukse sulgemist välja. See aktiveerub uuesti, kui uks avada või vajutada mistahes nuppu.
- Seadme ukse avamise ja sulgemisega kaasnevate temperatuurikõikumiste normaalse kaasnähuna tekib ukse- ja siseriulitele ning klaasist mahutitele kondensaat.



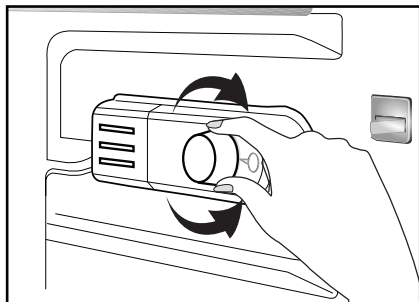
Uste pööramine

Jätkake numbrilises järjestuses.

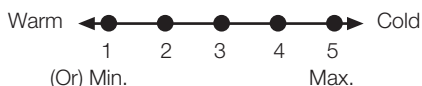




5 Külmiku kasutamine



Töötemperatuuri reguleeritakse temperatuuriregulaatoriga.



1 = Madalaim jahutussäte (kõige soojem säte)

5 = Kõrgeim jahutussäte (kõige külmem säte)

(või)

Min. = madalaim jahutussäte (kõige soojem säte)

Max. = kõrgeim jahutussäte (kõige külmem säte)

Keskmine temperatuur jahutuskambris peaks olema umbes +5 °C.

Valige säte vastavalt soovitud temperatuurile.

Seadme töö saate peatada termostaadi nupu keeramisega asendisse 0.

Pange tähele, et jahutuskambri eri kohtades on erinev temperatuur.

Kõige külmem piirkond on vahetult kõögiviljasahtli kohal.


Sisetemperatuur oleneb ka ümbrustemperatuurist, ukse avamise sagedusest ja säilitatava toidu kogusest.

Ukse sage avamine põhjustab sisetemperatuuri tõusu.

Seetõttu on soovitatav uks pärast kasutamist võimalikult ruttu sulgeda.

Külmutus

Toiduainete külmutamine

Külmutuskamber on tähistatud selle sümboliga .

Seadet saab kasutada värskete toiduainete külmutamiseks, aga ka eelkülmutatud toiduainete hoidmiseks.

Tutvuge soovitustega toiduainete pakendil.

• Tähelepanu!

Ärge külmutage gaseeritud jooke, kuna pudel võib selles oleva vedeliku külmutumisel puruneda.

Külmutatud tooteid (nt värvilisi jääkuubikuid) tuleks käsitseda ettevaatlikult.

Ärge ületage seadme külmutusjõudlust 24 tunni jooksul. Vt andmesilti.

Toidu kvaliteedi säilitamiseks peab külmutamine toimuma võimalikult kiiresti.

Sel juhul ei ületata külmutusjõudlust ning temperatuur külmutuskambris ei tõuse.

• Tähelepanu!

Hoidke juba sügavkülmutatud toiduaineid värskest toidust lahus.

Kuuma toidu sügavkülmutamisel töötab jahutuskompressor seni, kuni toit on täielikult külmutatud. See võib ajutiselt langetada temperatuuri jahutuskambris.

Kui sügavkülmuti uks avaneb veidi pärast sulgemist raskelt, ärge liialt muretsege. Selle põhjuseks on rõhkude vahe, mis mõne minuti pärast võrdsustub ja lubab ust normaalselt avada.

Vahetult pärast ukse sulgemist kuulete hõrenduse tekkega seotud heli. See on täiesti normaalne nähtus.

Jääkuubikute valmistamine

Täitke jäänõu kolmveerandini veega ja asetage külmutuskambrisse.

Kui vesi on külmunud, võite jääkuubikud välja võtta.

Ärge kasutage jääkuubikute eemaldamiseks teravaid esemeid nagu näiteks nuga või kahvel. Vigastusoht!

Selle asemel laske jääkuubikutel veidi sulada või pange aluse põhi lühikeseks ajaks kuuma vette.

Külmutatud toiduainete säilitamine

Külmutatud toidu kamber on tähistatud selle sümboliga (**).

Külmutatud toidu kamber sobib eelkülmutatud toidu hoidmiseks. Alati tuleb järgida toiduainete pakendile märgitud soovitusi säilitustingimuste kohta.

Seadme sulatamine

Liigse jää teke mõjub negatiivselt seadme külmutusjõudlusele.

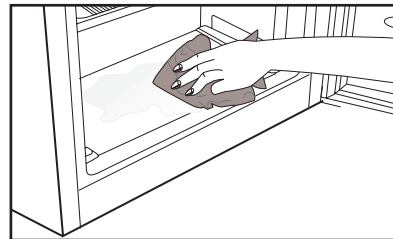
Seetõttu on soovitatav vabastada seade jääst vähemalt kaks korda aastas või siis, kui moodustunud jääkihi paksus ületab 7 mm.

Sulatage seade üles ajal, mil seal on vähe toitu või pole üldse.

Võtke sügavkülmutatud toit välja. Mässige sügavkülmutatud toiduained mitme paberikihi või teki sisse ja pange need jahedasse kohta.

Sulatusprotsessi alustamiseks eemaldage seade vooluvõrgust või lülitage võimsuslüliti välja.

Võtke abiseadmed (nt riul, sahtel jms) seadmest välja ning kasutage sulavee jaoks sobivat anumat.



Vajaduse korral kasutage külmutuskambrist ja külmutatud toidu kambrist sulavee eemaldamiseks

☄☄☄ käsna või pehmet lappi. ☄☄

Sulatamise ajal hoidke uks lahti.

Jää kiiremaks eemaldamiseks pange seadme sisse anum sooja veega.

Ärge mingil juhul kasutage jää eemaldamiseks elektriseadmeid, sulatuspihusteid või teravaotsalisi esemeid, nagu nuga või kahvel.

Pärast jää sulatamist puhastage seadme sisemus.

Ühendage seade uuesti voolu võrku. Paigutage külmutatud toiduained sahtlitesse ja lükake sahtlid sügavkülmutisse.

Jahutamine

Toiduainete hoidmine

Jahutuskamber on ette nähtud värskete toiduainete ja jookide lühiajaliseks hoidmiseks.

Hoidke piimatooteid külmiku vastavas kambris.

Pudeleid võib hoida pudelihoidikus või ukse küljes olevas pudeliriiulis.

Toorest liha on parem hoida polüetüleenkotis külmkapi kõige alumises osas.

Laske kuumal toidul ja joogil enne külmkappi panekut toatemperatuurini jahtuda.

• Tähelepanu!

Hoidke kangeid alkohoolseid jooke tihedalt suletud pudelis püstasendis.

• Tähelepanu!

Ärge hoidke seadmes plahvatusohtlikke aineid ega mahuteid kergsüttivate ohtlike gaasidega (plekkpurgis hoitav koor, pulverisaatorid jne).

Need võivad plahvatada.

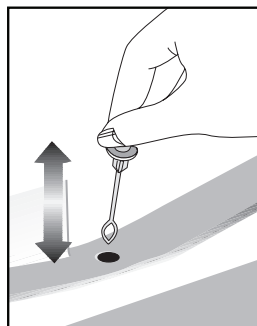
Seadme sulatamine

Jahutuskamber vabastatakse jäät automaatselt. Sulamisvesi voolab läbi äravoolukanali kogumisanumasse, mis asub seadme tagaküljel.

Jää sulatamise ajal moodustuvad jahutuskambri tagaseinale aurustumise tõttu veepiisad.

Kui kõik piisad ei voola alla, võivad need pärast sulatamise lõppu uuesti jäätuda. Eemaldage need sooja vette kastetud pehme lapiga. Ärge kasutage kõvu ega teravaid esemeid.

Kontrollige aeg-ajalt sulamisvee voolu. See võib mõnikord ummistuda. Puhastage seda torupuhasti vms instrumendiga.



6 Hooldus ja puhastamine

- ⚠ Ärge kunagi kasutage puhastamiseks bensiini, benseeni või sarnaseid aineid.
- ⚠ Me soovitame seadme enne puhastamist vooluvõrgust lahti ühendada.
- ⓘ Ärge kunagi kasutage puhastamiseks teravat abrasiivset riista, seepi, majapidamise puhastusvahendit, lahust või vaha.
- ⓘ Mitte külmumisvabadel toodetel võib jahutuskambri tagumisel siseseinal esineda veetilku ja kuni sõrmejämmeduse paksust jääd. Ärge puhastage seda. Ärge sellele mitte kunagi õli või muid sarnaseid aineid määrige.
- ⓘ Kasutage toote välispinna puhastamiseks ainult kergelt niiskeid mikrokiust lappe. Käsna ja muud liiki puhastuslapid võivad pinda kriimustada.
- ⓘ Kasutage külmkambri puhastamiseks leiget vett ning pärast kuivatage see.
- ⓘ Kasutage sisemuse puhastamiseks lappi, mida on niisutatud lahuses teelusikatäis söögisoodat poole liitri vee kohta, seejärel pühkige kuivaks.
- ⚠ Veenduge, et vett ei satuks lambikorpusesse ja teistesse elektriosadesse.
- ⚠ Kui te ei plaani külmikut pikka aega kasutada, ühendage lahti toitejuhe, eemaldage toit, puhastage kamber ja jätke uks praokile.
- ⓘ Kontrollige uksetihendeid regulaarselt, veendumaks et need on puhtad ja toiduosakestest vabad.
- ⓘ Ukseraamide eemaldamiseks eemaldage nende sisu ja seejärel lihtsalt lükake raam ülespoole pesast välja.
- ⓘ Ärge kasutage seadme välispindade ja kroomitud osade puhastamiseks kloori sisaldavat vett ega puhastusaineid. Kloor põhjustab metallpindade korrodeerumist.
- ⚠ Ärge kasutage teravad ja abrasiivsed tööriistu ega seepi, koduseid puhastusvahendeid, pesemisvahendeid, bensiini, benseeni, vaha jne, muidu tulevad plastosadel olevad tähised maha ning toimub deformeerumine. Kasutage puhastamiseks sooja vett ja pehmet lappi ning kuivatage.

Plastpindade kaitse

- Ärge pange õlisid või õlis küpsetatud toitu külmikusse lahtistes nõudes, kuna need kahjustavad külmiku plastikpindasid. Kui plastpindadele satub õli, puhastage ja loputage vastavat osa koheselt sooja veega.

7 Soovituslikud lahendused probleemidele

Palun vaadake see nimekiri enne läbi, kui teenindusse helistate. See võib aidata säästa aega ja raha. See nimekiri sisaldab sagedasemaid kaebusi, mis ei ole põhjustatud vigase töö või materjalikasutuse tõttu. Mõned siinkirjeldatud funktsioonid võivad teie tootel puududa.

Külmik ei tööta

- Kas külmik on korralikult pistikupessa ühendatud? Sisestage pistik seinakontakti.
- Kas külmiku ühendamiseks kasutatava pesa kaitse või peakaitse on läbi põlenud? Kontrollige kaitset.

Kondensvesi külmiku külmkambril külgeinal. (MULTI ZONE, COOL CONTROL ja FLEXI ZONE)

- Ümbritsev keskkond on väga külm. Sagedane ukse avamine ja sulgemine. Ümbritsev keskkond on väga niiske. Hoiustatava toidu hulgas on avatud mahutites vedelikke. Ukse praokile jätmine.
- Termostaadi külmemale temperatuurile lülitamine.
- Ukse lahtiolekuaja vähendamine või selle harvem kasutamine.
- Avatud nõudes hoitava toidu katmine sobiva esemega.
- Pühkige kondensvesi kuiva lapiga ära ja vaadake, kas see tekib uuesti.

Kompressor ei tööta

- Kompressori kaitsetermostaat lülitub välja ootamatute voolukatkestuste või kiirete sisse-välja lülituste puhul, kuna külmutusaine surve külmiku jahutussüsteemis ei ole veel tasakaalustunud.
- Külmik hakkab tööle umbes kuue minuti pärast. Kui külmik pärast seda tööle ei hakka, helistage palun teenindusse.
- Külmik on sulatustsüklis. See on täisautomaatse sulatusega külmiku puhul tavaline. Sulatustsükkel toimub perioodiliselt.
- Külmik ei ole pistikupessa ühendatud. Veenduge, et pistik on kindlalt seinakontakti sisestatud.
- Kas temperatuuriseadistused on tehtud õigesti? Voolu ei ole. Helistage oma elektritarnijale.

Külmik töötab sagedasti või pikka aega.

- Teie uus külmik võib olla laiem kui eelmine. See on täiesti normaalne nähtus. Suured külmikud töötavad pikemat aega järjest.
- Ümbritseva ruumi temperatuur võib olla kõrge. See on täiesti normaalne nähtus.
- Külmik võib olla hiljuti sisse ühendatud või toitu täis laaditud. Külmiku täielik mahajahtumine võib võtta mõne tunni kauem.
- Külmikusse võib olla hiljuti pandud suur kogus kuuma toitu. Kuum toit põhjustab külmiku pikema tööperioodi, et saavutada ohutu hoiustamistemperatuur.
- Uksi võib olla hiljuti avatud või on need pikaks ajaks praokile jäetud. Külmikusse sisenenud soe õhk põhjustab külmiku pikema tööperioodi. Avage uksi harvemini.
- Sügavkülma või külmkambri uks võib olla praokile jäetud. Kontrollige, kas ukсед on korralikult kinni.
- Külmik on seadistatud väga madalale temperatuurile. Seadistage külmik kõrgemale temperatuurile ja oodake, kuni see saavutatakse.
- Külmiku või sügavkülmiku uksetihend võib olla määrdunud, kulunud, katki või lahti. Puhastage või asendage tihend. Kahjustatud/ katkine tihend sunnib külmikut töötama kauem aega järjest, et hoida ettenähtud temperatuuri.

Sügavkülmiku temperatuur on väga madal, samas kui külmiku temperatuur on piisav.

- Sügavkülmiku temperatuur on seadistatud väga madalale. Seadke sügavkülmiku temperatuur soojemale tasemele ja kontrollige uuesti.

Külmiku temperatuur on väga madal, samas kui sügavkülmiku temperatuur on piisav.

- Külmiku temperatuur on seadistatud väga madalale. Seadke külmiku temperatuur soojemale tasemele ja kontrollige uuesti.

Külmiku sahtlites hoitav toit kipub jäätuma.

- Külmiku temperatuur on seadistatud väga madalale. Seadke külmiku temperatuur soojemale tasemele ja kontrollige uuesti.

Temperatuur külmikus või sügavkülmikus on väga kõrge.

- Külmiku temperatuur on seadistatud väga kõrgele. Külmiku seadistus mõjutab ka sügavkülmiku temperatuuri. Muutke külmiku või sügavkülma temperatuuri, kuni see jõuab piisava tasemeni.
- Uks võib olla praokile jäetud. Sulgege uks täielikult.
- Külmikusse võib olla hiljuti pandud suur kogus kuuma toitu. Oodake, kuni külmik või sügavkülmik jõuab soovitud temperatuurini.
- Külmik võib olla alles hiljuti vooluvõrku ühendatud. Külmiku täielik jahtumine võtab suuruse tõttu aega.

Külmikust kostab kella tiksumisega sarnanevat heli.
<ul style="list-style-type: none"> Seda heli tekitab külmiku solenoidklapp. Solenoidklapi ülesanne on tagada jahutamine ja jahutusaine liikumine läbi jahutus kambri, mida saab reguleerida jahutus- või külmutusrežiimile. See on normaalne ning tegu ei ole rikkega.
Töömüra suureneb, kui külmik töötab.
<ul style="list-style-type: none"> Külmiku tööjõudlusomadused võivad muutuda sõltuvalt ümbritsevast temperatuurist. See on normaalne ning tegu ei ole rikkega.
Vibratsioon või müra.
<ul style="list-style-type: none"> Põrand ei ole tasane või on nõrk. Külmik kõigub, kui seda aeglaselt lükata. Veenduge, et põrand on tasane, tugev ja sobib külmiku toetamiseks. Müra võivad põhjustada külmikule asetatud esemed. Sellised esemed tuleks külmiku pealt eemaldada.
On kuulda vedeliku voolamise või pihustamise häält.
<ul style="list-style-type: none"> Vedeliku ja gaasi liikumine toimuvad vastavalt teie külmiku tööpõhimõttele. See on normaalne ning tegu ei ole rikkega.
On kuulda tuule puhumise sarnast häält.
<ul style="list-style-type: none"> Külmiku tõhusamaks jahutamiseks kasutatakse õhuliigutajaid (ventilaatoreid). See on normaalne ning tegu ei ole rikkega.

Kondensvesi külmiku siseseintel.
<ul style="list-style-type: none"> Kuum ja niiske ilm suurendab jäätumist ja kondensatsiooni. See on normaalne ning tegu ei ole rikkega. Uksed on praakil. Veenduge, et uksed on täielikult suletud. Uksi võib olla väga tihti avatud või on nad pikaks ajaks lahti jäetud. Avage ust harvemini.
Külmiku välisküljele või uste vahele tekib niiskus.
<ul style="list-style-type: none"> Ilm võib olla niiske. See on niiske ilmaga täiesti normaalne. Kui niiskust on vähem, kaob ka kondensatsioon.
Halb lõhn külmiku sees.
<ul style="list-style-type: none"> Külmiku sisemust peab puhastama. Puhastage külmiku sisemust käsna, sooja vee või gaseeritud veega. Lõhna võivad põhjustada mõned nõud või pakkematerjalid. Kasutage teist nõu või erinevat marki pakkematerjali.
Uks(ed) ei sulgu.
<ul style="list-style-type: none"> Toidupakendid võivad takistada ukse sulgumist. Asendage pakendid, mis ust takistavad. Külmik ei paikne ilmselt põrandal täiesti vertikaalselt ja võib kergel liigutamisel kõikuda. Seadistage tasakaalustuskrusid. Põrand ei ole tasane või tugev. Veenduge, et põrand on tasane ja sobib külmiku toetamiseks.
Sahtlid on kinni kiilunud.
<ul style="list-style-type: none"> Toit võib puutuda vastu sahtli lage. Seadke toit sahtlis ümber.

Kui Toote Pind On Kuum.

- Kõrget temperatuuri võib toote töö ajal esineda kahe ukse vahel, külgsuunalistel ja tagavõrel. See on normaalne ega vaja hooldustehniku sekkumist. Olge nende piirkondade puudutamisel ettevaatlik.



Ψυγείο

Εγχειρίδιο Χρήστη

Ledusskapis

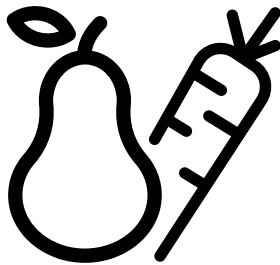
Lietotāja rokasgrāmata

Hladnjak

Korisnički priručnik

Hladilnik

Navodila za uporabo



TSE1284N



EL / LV / HR / SL

Παρακαλούμε διαβάστε πρώτα το παρόν εγχειρίδιο!

Αγαπητέ Πελάτη,

Ελπίζουμε ότι το προϊόν σας, που έχει κατασκευαστεί σε μοντέρνες εγκαταστάσεις και έχει ελεγχθεί με τις πιο αυστηρές διαδικασίες ελέγχου ποιότητας, θα σας προσφέρει μια αποδοτική υπηρεσία.




Για το λόγο αυτό, συνιστούμε να διαβάσετε προσεκτικά όλο το εγχειρίδιο οδηγιών του προϊόντος σας πριν το χρησιμοποιήσετε και κατόπιν να το φυλάξετε σε εύκολα προσπελάσιμο σημείο για μελλοντική αναφορά.

Το παρόν εγχειρίδιο

- Θα σας βοηθήσει να χρησιμοποιήσετε τη συσκευή σας με γρήγορο και ασφαλή τρόπο.
- Διαβάστε το εγχειρίδιο πριν την εγκατάσταση και τη χρήση του προϊόντος σας.
- Ακολουθείτε τις οδηγίες και ιδιαίτερα αυτές που αφορούν την ασφάλεια.
- Φυλάξτε το εγχειρίδιο σε εύκολα προσπελάσιμο μέρος γιατί μπορεί να το χρειαστείτε αργότερα.
- Επιπλέον, διαβάστε και την υπόλοιπη τεκμηρίωση που συνοδεύει το προϊόν σας. Έχετε υπόψη σας ότι το παρόν εγχειρίδιο μπορεί να ισχύει και για άλλα μοντέλα.

Σύμβολα και οι περιγραφές τους

Το παρόν εγχειρίδιο οδηγιών περιέχει τα εξής σύμβολα:

-  Σημαντικές πληροφορίες ή χρήσιμες συμβουλές για τη χρήση.
-  Προειδοποίηση για συνθήκες επικίνδυνες για τη ζωή και την περιουσία.
-  Προειδοποίηση για ηλεκτρική τάση.

1 Το ψυγείο σας 3

2 Σημαντικές προειδοποιήσεις ασφαλείας4

Προβλεπόμενος σκοπός χρήσης..... 4
Για προϊόντα με διανομέα νερού:..... 10
Ασφάλεια των παιδιών..... 10
Προειδοποίηση HC (Για συσκευές Ψύξης - Θέρμανσης)..... 11
Τι πρέπει να κάνετε για εξοικονόμηση ενέργειας 11

3 Εγκατάσταση 12

Σημεία που πρέπει να προσέξετε κατά την εκ νέου μεταφορά του ψυγείου 12
Πριν θέσετε σε λειτουργία το ψυγείο σας..... 12
Διάθεση των υλικών συσκευασίας..... 12
Διάθεση του παλιού σας ψυγείου 13
Τοποθέτηση και εγκατάσταση..... 13
Ρύθμιση των ποδιών 14
Αντικατάσταση της λάμπας φωτισμού 14
Τοποθέτηση (κάτω από τον πάγκο).. 14

4 Προετοιμασία 15

Αντιστροφή της φοράς ανοίγματος των πορτών 17

5 Χρήση του ψυγείου σας19

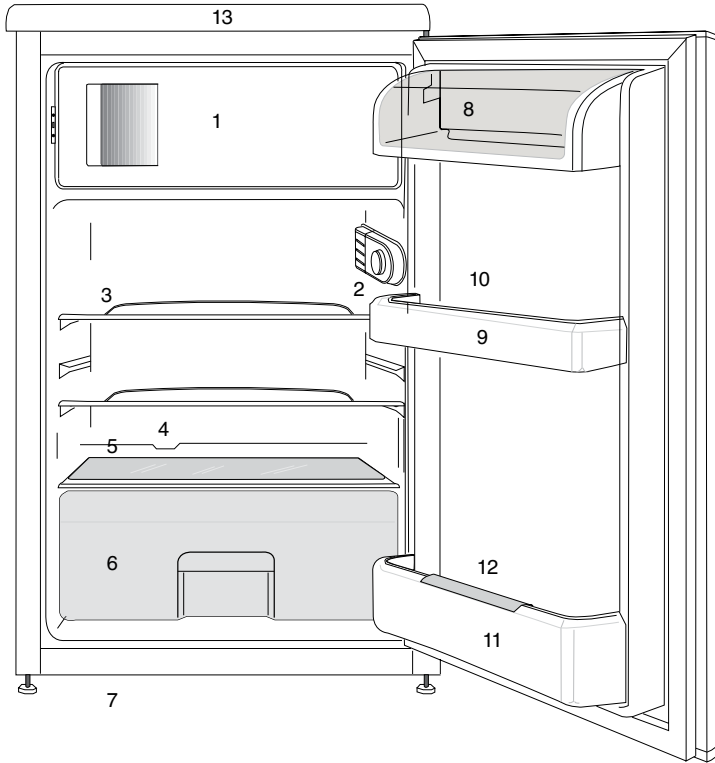
Κατάψυξη..... 19
Κατάψυξη τροφίμων 19
Πώς να φτιάχνετε παγάκια..... 20
Αποθήκευση κατεψυγμένων τροφίμων20
Απόψυξη της συσκευής..... 20
Ψύξη..... 21
Αποθήκευση των τροφίμων 21
Απόψυξη της συσκευής..... 21

6 Συντήρηση και καθαρισμός 22

Προστασία των πλαστικών επιφανειών 22

7 Συνιστώμενες λύσεις για προβλήματα 23

1 Το ψυγείο σας



1. a.) Χώρος κατάψυξης & θήκη για παγάκια (για μοντέλα ❄️❄️❄️)
- b.) Χώρος κατεψυγμένων τροφίμων & θήκη για παγάκια (για μοντέλα ❄️❄️)
2. Εσωτερικό φως & Κουμπί θερμοστάτη
3. Κινητά ράφια
- 4 - Κανάλι συλλογής νερού απόψυξης - Σωλήνας αποστράγγισης
- 5 - Κάλυμμα συρταριών λαχανικών
- 6 - Συρτάρι λαχανικών

- 7 - Ρυθμιζόμενα μπροστινά πόδια
- 8- Χώρος γαλακτοκομικών
9. Ράφια πόρτας
- 10- Θήκη αυγών
- 11 - Ράφι για μπουκάλια
- 12-Ράφι μπουκαλιών
- 13- Πάνω διακοσμητικό πλαίσιο

📌 Οι εικόνες σ' αυτό το εγχειρίδιο οδηγιών είναι σχηματικές και ενδέχεται να μην ανταποκρίνονται ακριβώς στο προϊόν σας. Αν ορισμένα εξαρτήματα δεν περιλαμβάνονται στο προϊόν που έχετε προμηθευτεί, τότε ισχύουν για άλλα μοντέλα.

2 Σημαντικές προειδοποιήσεις ασφαλείας

Παρακαλούμε να μελετήσετε τις πληροφορίες που ακολουθούν. Η μη τήρηση αυτών των πληροφοριών μπορεί να γίνει αιτία τραυματισμών ή υλικών ζημιών. Αν δεν το κάνετε αυτό, θα καταστεί άκυρη κάθε εγγύηση και κάθε δέσμευση περί αξιοπιστίας.

Ο χρόνος ωφέλιμης ζωής της μονάδας που προμηθευτήκατε είναι 10 έτη. Αυτή είναι η περίοδος διατήρησης των ανταλλακτικών που απαιτούνται για τη λειτουργία της μονάδας σύμφωνα με τα περιγραφόμενα.

Προβλεπόμενος σκοπός χρήσης

Το προϊόν αυτό προορίζεται να χρησιμοποιείται

- σε εσωτερικούς χώρους και κλειστές περιοχές όπως είναι τα σπίτια

- σε κλειστούς χώρους εργασίας όπως καταστήματα και γραφεία
- σε κλειστούς χώρους ενδιαίτησης όπως αγροτόσπιτα, ξενοδοχεία, πανσιόν.
- Το προϊόν αυτό δεν πρέπει να χρησιμοποιείται σε εξωτερικό χώρο.

Γενικές οδηγίες ασφαλείας

- Όταν θέλετε να πετάξετε ως άχρηστο ή να ανακυκλώσετε το προϊόν, συνιστούμε για τις απαιτούμενες πληροφορίες να συμβουλευτείτε το εξουσιοδοτημένο σέρβις ή τους αρμόδιους φορείς.
- Να συμβουλευέστε το εξουσιοδοτημένο σέρβις για όλες τις ερωτήσεις και προβλήματα σχετικά με το ψυγείο. Μην επεμβαίνετε και μην αφήνετε οποιονδήποτε άλλον

να επέμβει στο ψυγείο χωρίς να ειδοποιήσετε το εξουσιοδοτημένο σέρβις.

- Για προϊόντα με χώρο κατάψυξης: Μην καταναλώνετε παγωτό και παγοκύβους αμέσως μόλις τα βγάλετε από το χώρο της κατάψυξης! (Αυτό μπορεί να προκαλέσει κρουπαγήματα στο στόμα σας).
- Για προϊόντα με χώρο κατάψυξης: Μην τοποθετείτε στην κατάψυξη ποτά ή αναψυκτικά σε μπουκάλια ή μεταλλικά κουτιά. Αλλιώς, υπάρχει κίνδυνος να σκάσουν.
- Μην αγγίζετε τα παγωμένα τρόφιμα με τα χέρια, γιατί μπορεί να κολλήσουν στο χέρι σας.
- Αποσυνδέετε το ψυγείο από την πρίζα πριν τον καθαρισμό ή την απόψυξη.
- Δεν πρέπει να χρησιμοποιείτε ποτέ ατμό και ατμοποιημένα καθαριστικά υλικά στις

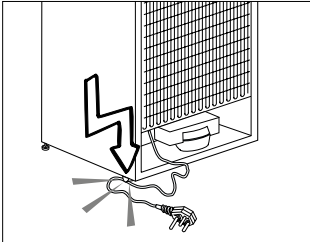
διαδικασίες καθαρισμού και απόψυξης του ψυγείου σας. Σε τέτοιες περιπτώσεις, ο ατμός μπορεί να έλθει σε επαφή με τα ηλεκτρικά εξαρτήματα και να γίνει η αιτία βραχυκυκλώματος ή ηλεκτροπληξίας.

- Ποτέ μη χρησιμοποιείτε εξαρτήματα του ψυγείου σας, όπως η πόρτα, ως μέσο στήριξης ή ως σκαλοπάτι.
- Μη χρησιμοποιείτε ηλεκτρικές συσκευές στο εσωτερικό του ψυγείου.
- Μην προξενήσετε ζημιά με εργαλεία διάτρησης ή κοπής στα μέρη της συσκευής όπου κυκλοφορεί το ψυκτικό μέσο. Το ψυκτικό μέσο που μπορεί να εκτιναχθεί αν τρυπήσουν οι δίοδοι αερίου του εξατμιστήρα, των επεκτάσεων σωλήνων ή των επιφανειακών επικαλύψεων, προκαλεί ερεθισμό στο δέρμα και τραυματισμό στα μάτια.

- Μην καλύπτετε και μην φράσσετε με οποιοδήποτε υλικό τα ανοίγματα αερισμού του ψυγείου σας.
- Οι επισκευές σε ηλεκτρικές συσκευές πρέπει να διεξάγονται μόνο από εξουσιοδοτημένο προσωπικό. Οι επισκευές που γίνονται από αναρμόδια άτομα δημιουργούν κινδύνους για το χρήστη.
- Σε περίπτωση οποιασδήποτε βλάβης ή κατά τη διάρκεια των εργασιών συντήρησης ή επισκευών, να αποσυνδέετε το ψυγείο από την παροχή ηλεκτρικού ρεύματος είτε απενεργοποιώντας τον αντίστοιχο ασφαλειοδιακόπτη είτε βγάζοντας το φιν από την πρίζα.
- Για την αποσύνδεση του φιν μην τραβάτε το καλώδιο.
- Βεβαιωθείτε ότι τα υψηλού βαθμού αλκοολούχα ποτά αποθηκεύονται με ασφάλεια με το καπάκι στερεωμένο και τοποθετημένο σε όρθια θέση.
- Ποτέ μην αποθηκεύετε στο ψυγείο μπουκάλια σπρέι που περιέχουν εύφλεκτες και εκρηκτικές ουσίες.
- Μη χρησιμοποιείτε μηχανικές διατάξεις ή άλλα μέσα για να επιταχύνετε τη διαδικασία της απόψυξης, εκτός από τα μέσα που συνιστά ο κατασκευαστής.
- Το προϊόν αυτό δεν προορίζεται για χρήση από άτομα με σωματικά, αισθητηριακά ή διανοητικά προβλήματα ή από άτομα με έλλειψη εμπειρίας (περιλαμβανομένων παιδιών), εκτός αν τα άτομα βρίσκονται υπό την επίβλεψη ατόμου που θα είναι υπεύθυνο για την ασφάλειά τους ή που θα τα καθοδηγήσει όπως απαιτείται για τη χρήση του προϊόντος

- Μη χρησιμοποιήσετε το ψυγείο αν έχει υποστεί βλάβη ή ζημιά. Αν έχετε οποιαδήποτε αμφιβολία συμβουλευτείτε τον αντιπρόσωπο σέρβις.
- Η ηλεκτρική ασφάλεια του ψυγείου σας θα είναι εγγυημένη μόνον αν το σύστημα γείωσης του σπιτιού σας συμμορφώνεται με τα ισχύοντα πρότυπα.
- Η έκθεση του προϊόντος σε βροχή, χιόνι, ήλιο και άνεμο δημιουργεί κινδύνους σε σχέση με την ασφάλεια με το ηλεκτρικό ρεύμα.
- Αν υπάρχει ζημιά στο καλώδιο ρεύματος, για την αποφυγή κινδύνου επικοινωνήστε με το εξουσιοδοτημένο σέρβις.
- Σε καμία περίπτωση μη συνδέσετε το ψυγείο στην πρίζα κατά τη διάρκεια της εγκατάστασης. Αλλιώς, μπορεί να δημιουργηθεί κίνδυνος θανάτου ή σοβαρού τραυματισμού.
- Το ψυγείο αυτό προορίζεται αποκλειστικά για τη φύλαξη τροφίμων. Δεν πρέπει να χρησιμοποιηθεί για οποιονδήποτε άλλο σκοπό.
- Η ετικέτα τεχνικών προδιαγραφών βρίσκεται πάνω στο αριστερό τοίχωμα στο εσωτερικό του ψυγείου.
- Ποτέ μη συνδέσετε το ψυγείο σας σε συστήματα εξοικονόμησης ενέργειας, γιατί αυτά μπορεί να προκαλέσουν ζημιά στο ψυγείο.
- Αν το ψυγείο σας διαθέτει μπλε φως, μην κοιτάζετε το μπλε φως μέσω οπτικών διατάξεων.
- Για ψυγεία με μη αυτόματο σύστημα ελέγχου, μετά από διακοπή ρεύματος περιμένετε τουλάχιστον 5 λεπτά πριν θέσετε πάλι το ψυγείο σε λειτουργία.

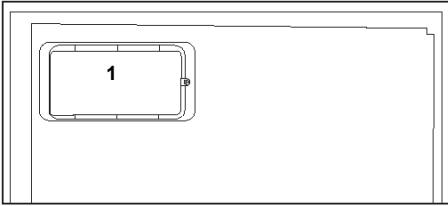
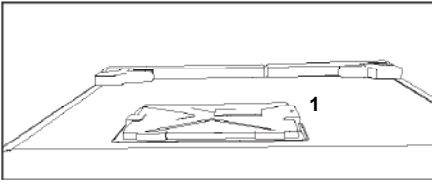
- Σε περίπτωση μεταβίβασης, το παρόν εγχειρίδιο χρήσης θα πρέπει να παραδοθεί στον καινούριο ιδιοκτήτη του προϊόντος.
- Αποφύγετε την πρόκληση ζημιάς στο καλώδιο ρεύματος όταν μεταφέρετε το ψυγείο. Αν το καλώδιο τσακίσει μπορεί να προκληθεί πυρκαγιά. Ποτέ μην τοποθετείτε βαριά αντικείμενα πάνω στο καλώδιο ρεύματος. Μην αγγίζετε το φισ με υγρά χέρια όταν συνδέετε το προϊόν στην πρίζα.



- Μη συνδέσετε το ψυγείο σε πρίζα που δεν είναι καλά στερεωμένη στη θέση της.
- Για λόγους ασφαλείας, δεν πρέπει ποτέ να πιτσιλίζετε νερό απ' ευθείας σε εσωτερικά ή εξωτερικά μέρη του προϊόντος.

- Για να αποφύγετε τον κίνδυνο πυρκαγιάς και έκρηξης, μην ψεκάσετε κοντά στο ψυγείο υλικά που περιέχουν εύφλεκτα αέρια όπως προπάνιο κ.λ.π.
- Ποτέ μην τοποθετείτε πάνω στο ψυγείο δοχεία που περιέχουν νερό, γιατί μπορεί να προκληθεί ηλεκτροπληξία ή πυρκαγιά.
- Μην υπερφορτώνετε το ψυγείο με υπερβολική ποσότητα τροφίμων. Αν υπερφορτωθεί το ψυγείο, όταν ανοίγετε την πόρτα τα τρόφιμα μπορεί να πέσουν και να σας κτυπήσουν ή να προξενήσουν ζημιά στο ψυγείο. Ποτέ μην τοποθετείτε αντικείμενα πάνω στο ψυγείο. Διαφορετικά μπορεί να πέσουν όταν ανοίγετε ή κλείνετε την πόρτα του ψυγείου.
- Επειδή για τη φύλαξή τους απαιτούνται ακριβείς συνθήκες θερμοκρασίας, δεν πρέπει να φυλάσσονται

- στο ψυγείο εμβόλια, φάρμακα ευαίσθητα στη θερμοκρασία, επιστημονικά υλικά κλπ.
- Το ψυγείο θα πρέπει να αποσυνδέεται από το ρεύμα αν δεν πρόκειται να χρησιμοποιηθεί για μεγάλο χρονικό διάστημα. Ένα ενδεχόμενο πρόβλημα στο καλώδιο ρεύματος μπορεί να προκαλέσει πυρκαγιά.
 - Τα άκρα του φινς ρευματοληψίας πρέπει να καθαρίζονται τακτικά, αλλιώς μπορεί να προκληθεί πυρκαγιά.
 - Τα άκρα του φινς πρέπει να καθαρίζονται τακτικά με ένα στεγνό πανί, αλλιώς μπορεί να προκληθεί πυρκαγιά.
 - Το ψυγείο μπορεί να μετακινηθεί αν τα ρυθμιζόμενα πόδια δεν έχουν ρυθμιστεί ώστε να έχουν σταθερή επαφή με το δάπεδο. Η σωστή στερέωση των ρυθμιζόμενων ποδιών στο δάπεδο μπορεί να αποτρέψει τη μετακίνηση του ψυγείου.
 - Όταν μεταφέρετε το ψυγείο μην το κρατάτε από τη λαβή της πόρτας. Διαφορετικά, αυτή μπορεί να σπάσει.
 - Όταν χρειαστεί να εγκαταστήσετε το ψυγείο σας δίπλα σε άλλο ψυγείο ή καταψύκτη, η απόσταση ανάμεσα στις συσκευές θα πρέπει να είναι τουλάχιστον 8 εκ. Διαφορετικά, μπορεί να σχηματιστεί υγρασία στα γειτονικά πλευρικά τοιχώματα.
 - Σε καμία περίπτωση μη χρησιμοποιήσετε το προϊόν αν είναι ανοικτό το τμήμα στο πάνω ή πίσω μέρος του προϊόντος που περιέχει τις πλακέτες τυπωμένων κυκλωμάτων (κάλυμμα τυπωμένων κυκλωμάτων) (1).



Για προϊόντα με διανομέα νερού:

- Η μέγιστη πίεση για την είσοδο κρύου νερού θα είναι 90 psi (6,2 bar). Αν η πίεση νερού υπερβαίνει τα 80 psi (5,5 bar), χρησιμοποιήστε μια βαλβίδα περιορισμού πίεσης στο σύστημα παροχής νερού σας. Αν δεν γνωρίζετε πώς να ελέγξετε την πίεση νερού, ζητήστε τη βοήθεια επαγγελματία υδραυλικού.
- Αν υπάρχει κίνδυνος φαινομένου υδραυλικού πλήγματος (απότομης μεταβολής πίεσης του νερού) στην εγκατάστασή

σας, πάντα να χρησιμοποιείτε στην εγκατάσταση εξοπλισμό αποτροπής του υδραυλικού πλήγματος. Συμβουλευτείτε επαγγελματίες υδραυλικούς αν δεν είστε σίγουροι ότι δεν υπάρχει φαινόμενο υδραυλικού πλήγματος στην εγκατάστασή σας.

- Μην εγκαταστήσετε στην είσοδο ζεστού νερού. Λάβετε μέτρα προφύλαξης έναντι του κινδύνου να παγώσουν οι εύκαμπτοι σωλήνες. Η περιοχή θερμοκρασιών νερού λειτουργίας είναι από ελάχιστη 0,6 °C (33 °F) έως μέγιστη 38 °C (100 °F).
- Χρησιμοποιείτε μόνο πόσιμο νερό.

Ασφάλεια των παιδιών

- Αν το ψυγείο σας διαθέτει κλειδαριά, πρέπει να φυλάτε το κλειδί μακριά από παιδιά.
- Τα παιδιά πρέπει να βρίσκονται υπό επίβλεψη ώστε να μην επεμβαίνουν στο προϊόν.

Προειδοποίηση HC (Για συσκευές Ψύξης - Θέρμανσης)

Αν το ψυκτικό σύστημα της συσκευής σας περιέχει R600a:

Το αέριο αυτό είναι εύφλεκτο. Για το λόγο αυτό, προσέχετε να μην προκληθεί ζημιά στο ψυκτικό σύστημα και τις σωληνώσεις του κατά τη χρήση και τη μεταφορά της συσκευής. Σε περίπτωση ζημιάς, κρατήστε τη συσκευή σας μακριά από ενδεχόμενες πηγές φωτιάς οι οποίες μπορούν να κάνουν το προϊόν να πιάσει φωτιά και αερίστε το χώρο στον οποίο είναι τοποθετημένη η μονάδα.

Αγνοήστε αυτή την προειδοποίηση αν το ψυκτικό σύστημα της συσκευής σας περιέχει R134a.

Ο τύπος αερίου που χρησιμοποιείται στο προϊόν αναφέρεται στην πινακίδα στοιχείων η οποία βρίσκεται πάνω στο αριστερό τοίχωμα στο εσωτερικό του ψυγείου.

Σε καμία περίπτωση μην πετάξετε το προϊόν σε φωτιά.

Τι πρέπει να κάνετε για εξοικονόμηση ενέργειας

- Μην αφήνετε τις πόρτες του ψυγείου σας ανοικτές για μεγάλο χρονικό διάστημα.
- Μην τοποθετείτε ζεστά φαγητά ή ποτά στο ψυγείο σας.
- Μην υπερφορτώνετε το ψυγείο σας, ώστε να μην εμποδίζεται η κυκλοφορία αέρα στο εσωτερικό του.
- Μην τοποθετείτε το ψυγείο σας σε απ' ευθείας ηλιακό φως ή κοντά σε συσκευές που εκπέμπουν θερμότητα όπως φούρνους, πλυντήρια πιάτων ή σώματα θέρμανσης.
- Φροντίζετε να διατηρείτε τα τρόφιμα σε κλειστά δοχεία.
- Για προϊόντα με χώρο κατάψυξης: Μπορείτε να φυλάξετε τη μέγιστη ποσότητα τροφίμων στην κατάψυξη όταν αφαιρέσετε το ράφι ή το συρτάρι της κατάψυξης. Η αναφερόμενη τιμή

κατανάλωσης ενέργειας για το ψυγείο σας προσδιορίστηκε ενώ είχε αφαιρεθεί το ράφι ή το συρτάρι της κατάψυξης και με το μέγιστο φορτίο τροφίμων. Δεν υπάρχει πρόβλημα από τη χρήση ραφίου ή συρταριού ανάλογα με τα σχήματα και τα μεγέθη των τροφίμων που πρόκειται να καταψυχθούν.

- Η απόψυξη των κατεψυγμένων τροφίμων στο χώρο συντήρησης θα παρέχει και εξοικονόμηση ενέργειας και καλύτερη διατήρηση της ποιότητας των τροφίμων.

3 Εγκατάσταση

⚠ Παρακαλούμε να θυμάστε ότι δεν θα θεωρείται υπεύθυνος ο κατασκευαστής αν δεν τηρηθούν οι πληροφορίες που δίνονται στο εγχειρίδιο οδηγιών.

Σημεία που πρέπει να προσέξετε κατά την εκ νέου μεταφορά του ψυγείου

1. Θα πρέπει να αδειάσετε και να καθαρίσετε το ψυγείο σας πριν από οποιαδήποτε μεταφορά.
2. Πριν τοποθετήσετε πάλι το ψυγείο στη συσκευασία του, τα ράφια, τα αξεσουάρ, το συρτάρι λαχανικών κλπ. θα πρέπει να στερεωθούν με χρήση κολλητικής ταινίας για προστασία από τα τραντάγματα.
3. Η συσκευασία θα πρέπει να ασφαλιστεί με ταινίες κατάλληλου πάχους και γερά σχοινιά και θα πρέπει να ακολουθούνται οι κανόνες μεταφοράς που είναι τυπωμένοι στο κιβώτιο.

Μην ξεχνάτε...

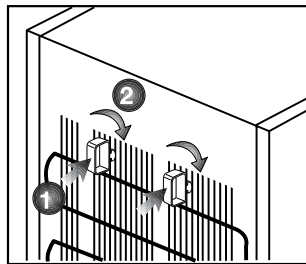
Κάθε υλικό που ανακυκλώνεται είναι μια απαραίτητη πηγή υλικών προς όφελος της φύσης και των εθνικών μας πόρων.

Αν επιθυμείτε να συμβάλετε στην ανακύκλωση των υλικών συσκευασίας, μπορείτε να πάρετε περισσότερες πληροφορίες από τους περιβαλλοντικούς φορείς ή τις τοπικές αρχές.

Πριν θέσετε σε λειτουργία το ψυγείο σας

Πριν αρχίσετε να χρησιμοποιείτε το ψυγείο σας ελέγξτε τα εξής:

1. Είναι το εσωτερικό του ψυγείου στεγνό και μπορεί ο αέρας να κυκλοφορεί ανεμπόδιστα στο πίσω του μέρος;
2. Εισάγετε τις 2 πλαστικές σφηνες στο πίσω σύστημα αερισμού, όπως δείχνει η ακόλουθη εικόνα. Οι πλαστικές σφηνές θα παρέχουν την απαιτούμενη



απόσταση ανάμεσα στο ψυγείο σας και τον τοίχο ώστε να επιτρέπεται η κυκλοφορία του αέρα.

3. Καθαρίστε το εσωτερικό του ψυγείου όπως συνιστάται στην ενότητα "Συντήρηση και καθαρισμός".

Ηλεκτρική σύνδεση

Συνδέστε τη συσκευή σας σε γειωμένη πρίζα η οποία προστατεύεται από ασφάλεια κατάλληλης ονομαστικής τιμής ρεύματος.

Σημαντική παρατήρηση:

- Η σύνδεση πρέπει να συμμορφώνεται με τους εθνικούς κανονισμούς.
- Το φως του καλωδίου ρεύματος πρέπει να είναι εύκολα προσπελάσιμο μετά την εγκατάσταση.
- Η καθοριζόμενη ηλεκτρική τάση πρέπει να είναι ίδια με την τάση ρεύματος του δικτύου σας.
- Δεν πρέπει να χρησιμοποιούνται καλώδια προέκτασης και πολυπρίζα για τη σύνδεση στο ρεύμα.

⚠ Αν ένα καλώδιο ρεύματος έχει υποστεί ζημιά, αυτό πρέπει να αντικατασταθεί από αδειούχο ειδικό τεχνικό.

⚠ Δεν επιτρέπεται η λειτουργία της συσκευής πριν την επισκευή! Υπάρχει κίνδυνος ηλεκτροπληξίας!

Διάθεση των υλικών συσκευασίας

Τα υλικά συσκευασίας μπορεί να είναι επικίνδυνα για τα παιδιά. Κρατάτε τα υλικά συσκευασίας μακριά από παιδιά ή πετάξτε τα αφού τα διαχωρίσετε ανάλογα με τις οδηγίες για απόβλητα. Μην τα πετάξετε μαζί με τα κοινά οικιακά απορρίμματα.

Η συσκευασία του ψυγείου σας έχει παραχθεί από ανακυκλώσιμα υλικά.

Διάθεση του παλιού σας ψυγείου

Απορρίψτε το παλιό σας ψυγείο με τρόπο φιλικό προς το περιβάλλον.

- Σχετικά με τον τρόπο απόρριψης του ψυγείου σας μπορείτε να συμβουλευτείτε τον εξουσιοδοτημένο έμπορο που συνεργάζεστε ή τις δημοτικές σας αρχές.

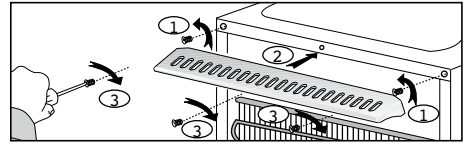
Πριν πετάξετε το ψυγείο σας, κόψτε το καλώδιο ρεύματος, και, αν υπάρχουν κλειδαριές σε πόρτες, καταστήστε τις μη λειτουργικές, για την προστασία των παιδιών από οποιονδήποτε κίνδυνο.

Τοποθέτηση και εγκατάσταση

⚠ Αν η πόρτα εισόδου του χώρου όπου θα τοποθετηθεί το ψυγείο δεν είναι αρκετά πλατιά για να περάσει το ψυγείο, τότε καλέστε το εξουσιοδοτημένο σέρβις για να αφαιρέσει την πόρτα του ψυγείου σας και να το περάσει μέσα από την πόρτα με το πλάι.

1. Εγκαταστήστε το ψυγείο σε θέση που προσφέρει ευκολία στη χρήση.
2. Κρατήστε το ψυγείο σας μακριά από πηγές θερμότητας, μέρη με υγρασία και από απ' ευθείας ηλιακό φως.
3. Πρέπει να υπάρχει επαρκής κυκλοφορία αέρα γύρω από το ψυγείο σας για να επιτυγχάνεται αποδοτική λειτουργία. Αν το ψυγείο πρέπει να τοποθετηθεί σε εσοχή στον τοίχο, θα πρέπει να υπάρχει ελάχιστη απόσταση 5 εκ. από το ταβάνι και 5 εκ. από τον τοίχο. Αν το πάτωμα είναι καλυμμένο με χαλί, το προϊόν σας θα πρέπει να ανυψωθεί κατά 2,5 εκ. από το δάπεδο.
4. Τοποθετήστε το ψυγείο σας σε δάπεδο με επίπεδη επιφάνεια για να αποφευχθούν τα τραντάγματα.

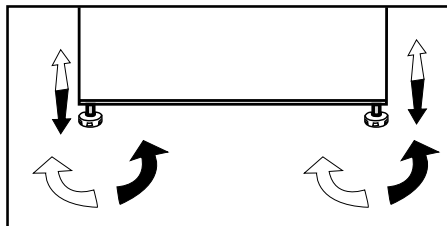
Αν η συσκευή σας είναι εφοδιασμένη με σχάρα αέρα, παρακαλούμε ανατρέξτε στο για την τοποθέτηση της σχάρας αέρα.



Ρύθμιση των ποδιών

Αν το ψυγείο σας δεν είναι καλά ισορροπημένο:

Μπορείτε να ισορροπήσετε το ψυγείο σας περιστρέφοντας τα μπροστινά πόδια του, όπως δείχνει η εικόνα. Η γωνία όπου βρίσκεται το πόδι χαμηλώνει όταν περιστρέψετε το πόδι στην κατεύθυνση του μαύρου βέλους και ανυψώνεται όταν το γυρίζετε στην αντίθετη κατεύθυνση. Η διαδικασία αυτή θα γίνει πιο εύκολη αν κάποιος σας βοηθήσει ανυψώνοντας ελαφρά το ψυγείο.



Αντικατάσταση της λάμπας φωτισμού

Για αλλαγή της λάμπας φωτισμού του ψυγείου σας, καλέστε το τοπικό σας εξουσιοδοτημένο σέρβις.

Ο λαμπτήρας (οι λαμπτήρες) που χρησιμοποιεί αυτή η συσκευή δεν είναι κατάλληλος(-οι) για φωτισμό των οικιακών χώρων. Ο σκοπός αυτού του λαμπτήρα είναι να βοηθά το χρήστη να βρίσκει με ασφάλεια και άνεση τα τρόφιμα στη συντήρηση/κατάψυξη.

Οι λάμπες που χρησιμοποιούνται σε αυτή τη συσκευή πρέπει να είναι ανθεκτικές σε ακραίες φυσικές συνθήκες, όπως θερμοκρασίες κάτω από $-20\text{ }^{\circ}\text{C}$.

Τοποθέτηση (κάτω από τον πάγκο)

- Το εσωτερικό ύψος του πάγκου θα πρέπει να είναι 820mm.
- (!) Συσκευές μαγειρέματος ή άλλες πηγές θερμότητας δεν πρέπει να τοποθετούνται πάνω από τον πάγκο στην περιοχή όπου η συσκευή έχει τοποθετηθεί κάτω από τον πάγκο.
- Η πρίζα ρεύματος στον τοίχο πρέπει να είναι κοντά στη δεξιά ή στην αριστερή πλευρά της συσκευής.

- Αφαιρέστε το πάνω κάλυμμα της συσκευής. Υπάρχουν 4 βίδες (2 στο πίσω μέρος, 2 κάτω από τη μπροστινή πλευρά) οι οποίες θα πρέπει να αφαιρεθούν.

Σχ. 1

- Κόψτε το τμήμα που φαίνεται στην εικόνα και κατόπιν αφαιρέστε το με τη βοήθεια πένσας.
 - Τοποθετήστε τη συσκευή σας κάτω από τον πάγκο και ρυθμίστε τα μπροστινά πόδια έως ότου το πάνω μέρος της να είναι σε επαφή με τον πάγκο.
- Για να χρησιμοποιήσετε το προϊόν κάτω από τον πάγκο, η απόσταση ανάμεσα στον τοίχο και τη γραμμή αναφοράς που υποδεικνύεται στο πάνω πλαστικό σύνδεσης πρέπει να είναι τουλάχιστον 595 χιλ.

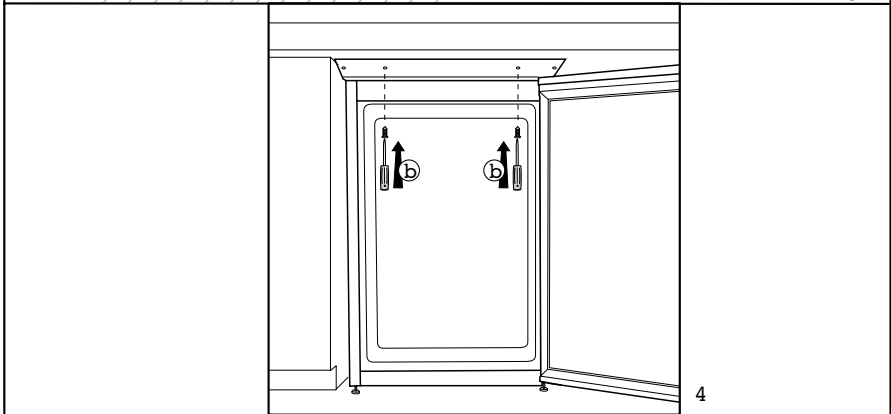
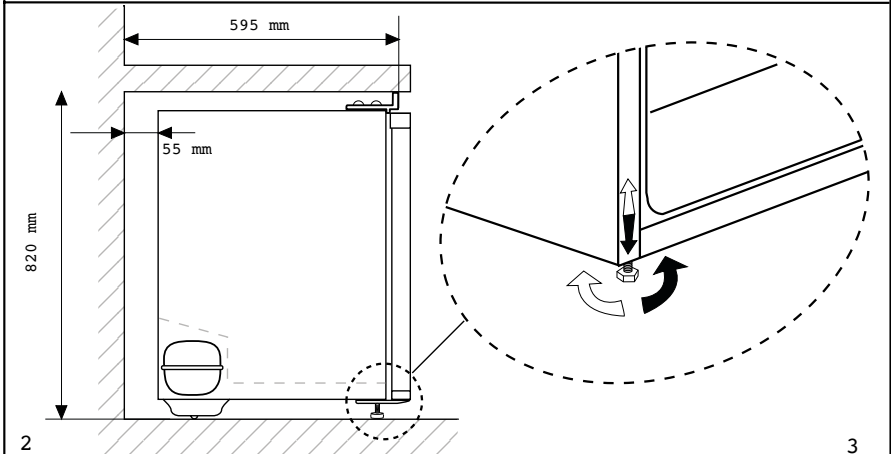
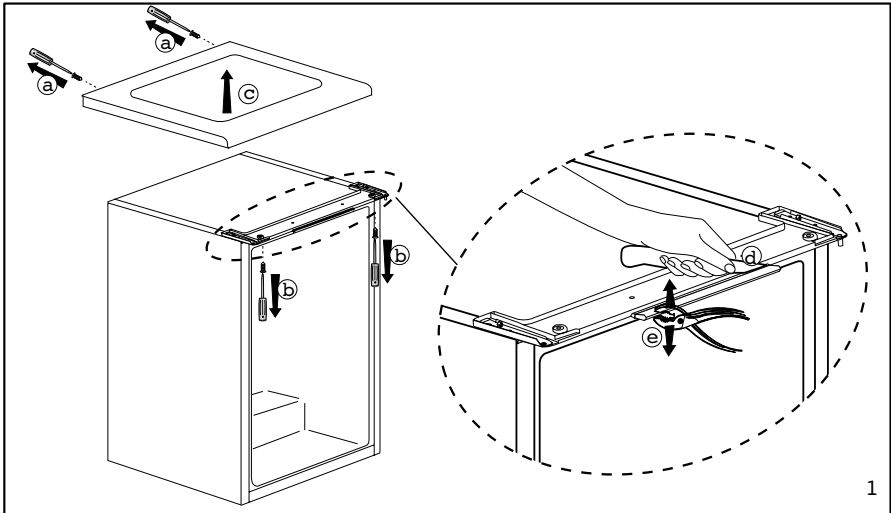
Εικ. 2/-3

- Στερεώστε τη συσκευή κάτω από τον πάγκο χρησιμοποιώντας 2 από τις βίδες που αφαιρέθηκαν από το πάνω κάλυμμα. (Το υλικό του πάγκου θα πρέπει να είναι βάσης πλαστικού ή ξύλου!)

Σχ. 4

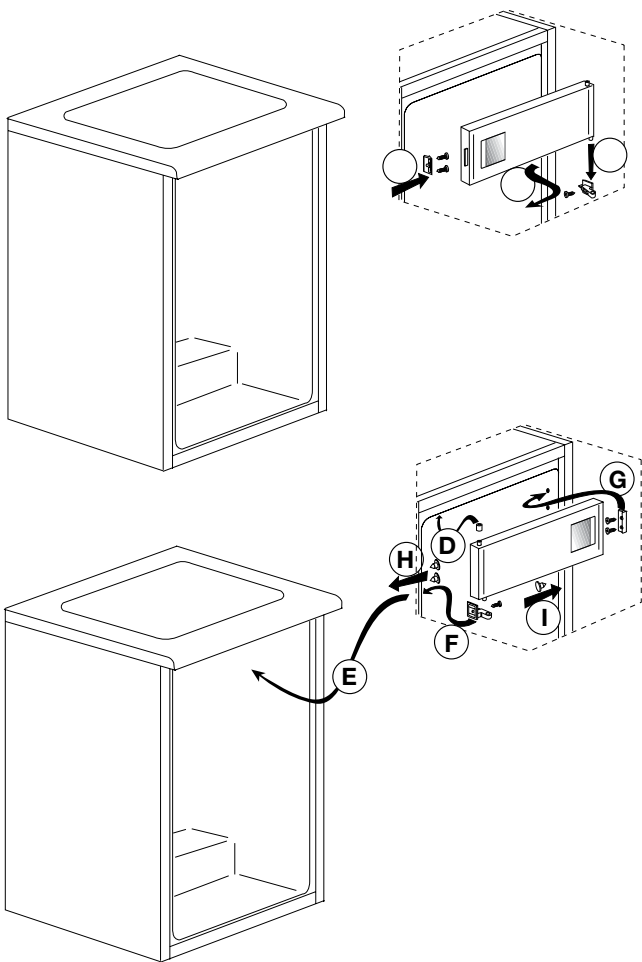
4 Προετοιμασία

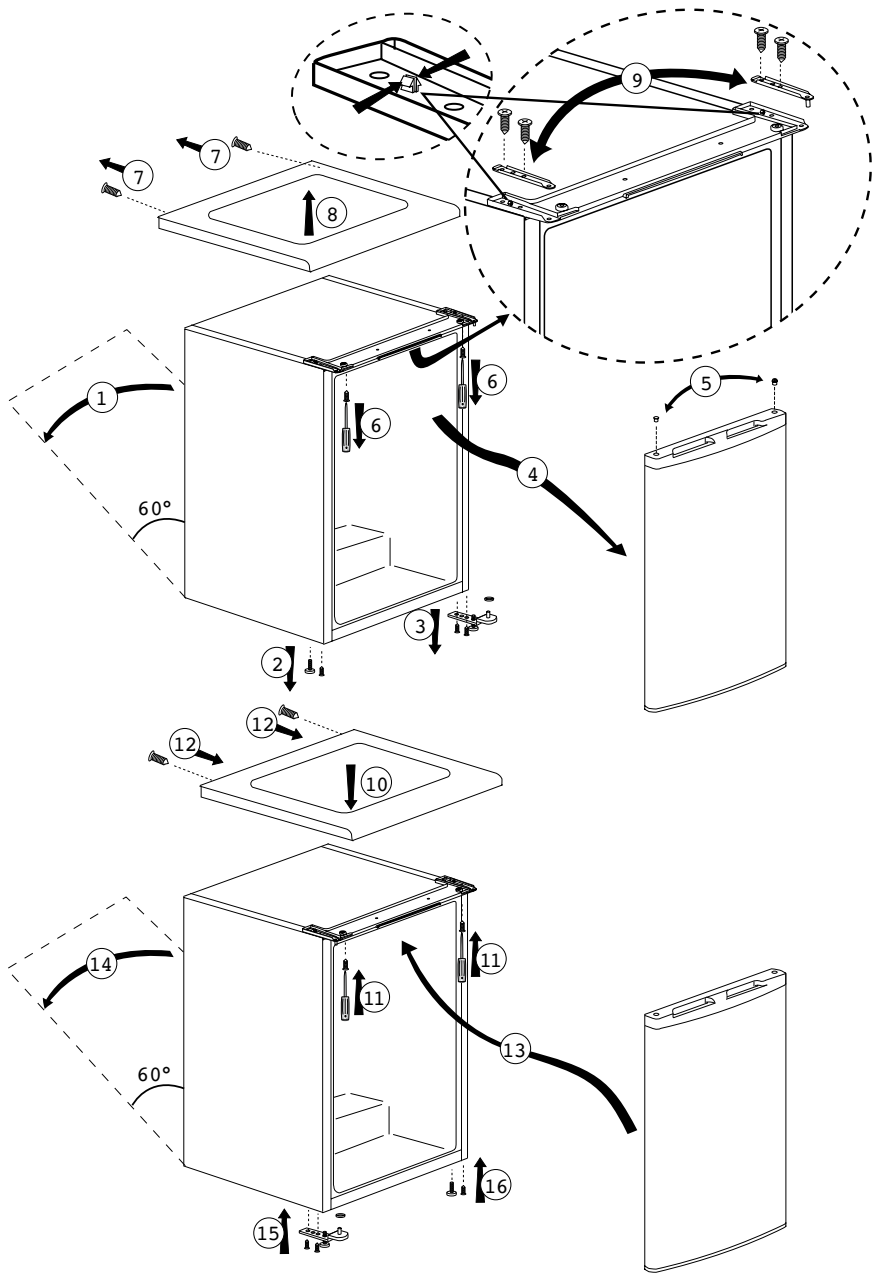
- i** Το ψυγείο σας θα πρέπει να εγκατασταθεί σε απόσταση τουλάχιστον 30 εκ. από πηγές θερμότητας όπως εστίες μαγειρέματος, φούρνους, σώματα κεντρικής θέρμανσης και σόμπες και τουλάχιστον 5 εκ. μακριά από ηλεκτρικούς φούρνους και δεν θα πρέπει να τοποθετείται σε μέρη όπου δέχεται απ' ευθείας ηλιακή ακτινοβολία.
- i** Η θερμοκρασία περιβάλλοντος του δωματίου που τοποθετείτε το ψυγείο σας θα πρέπει να είναι τουλάχιστον 10°C. Η λειτουργία του ψυγείου σας σε πιο κρύες συνθήκες από αυτές δεν συνιστάται από την άποψη της απόδοσής του.
- i** Παρακαλούμε να φροντίζετε να διατηρείτε το εσωτερικό του ψυγείου σας σχολαστικά καθαρό.
- i** Αν πρέπει να εγκατασταθούν δύο ψυγεία το ένα δίπλα στο άλλο, θα πρέπει να υπάρχει μεταξύ τους απόσταση τουλάχιστον 2 εκ.
- i** Όταν θέσετε το ψυγείο σε λειτουργία για πρώτη φορά, παρακαλούμε τηρείτε τις ακόλουθες οδηγίες κατά τις αρχικές έξι ώρες.
- Η πόρτα δεν θα πρέπει να ανοίγει συχνά.
 - Το ψυγείο θα πρέπει να λειτουργήσει κενό, χωρίς τρόφιμα στο εσωτερικό του.
 - Μην αποσυνδέσετε το ψυγείο σας από το ρεύμα. Αν συμβεί μια ανεξέλεγκτη διακοπή ρεύματος, δείτε τις προειδοποιήσεις στην ενότητα “Συνιστώμενες λύσεις για προβλήματα”.
- i** Πρέπει να χρησιμοποιείτε πάντα τα καλάθια/συρτάρια που παρέχονται με το διαμέρισμα έντονης ψύξης, για χαμηλή κατανάλωση ενέργειας και καλύτερες συνθήκες φύλαξης των τροφίμων.
- i** Η επαφή τροφίμων με τον αισθητήρα θερμοκρασίας στο θάλαμο κατάψυξης μπορεί να αυξήσει την κατανάλωση ενέργειας της συσκευής. Επομένως πρέπει να αποφεύγετε κάθε επαφή τροφίμων με τον αισθητήρα (τους αισθητήρες).
- i** Η αρχική συσκευασία και τα αφρώδη υλικά θα πρέπει να φυλαχτούν για μελλοντικές μεταφορές ή μετακόμιση.
- i** Σε ορισμένα μοντέλα, ο πίνακας οργάνων απενεργοποιείται αυτόματα 5 λεπτά μετά το κλείσιμο της πόρτας. Θα ενεργοποιηθεί πάλι όταν ανοίξει η πόρτα ή όταν πατηθεί οποιοδήποτε πλήκτρο.
- i** Λόγω της μεταβολής της θερμοκρασίας, ως αποτέλεσμα του ανοίγματος/κλεισίματος της πόρτας του προϊόντος κατά τη διάρκεια της λειτουργίας, η συμπύκνωση στην πόρτα/ράφια και στα γυάλινα δοχεία είναι φυσιολογική.



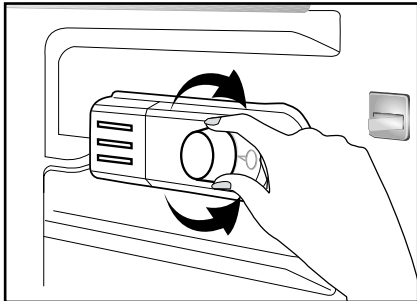
Αντιστροφή της φοράς ανοίγματος των πορτών

Προχωρήστε σύμφωνα με την σειρά των αριθμών

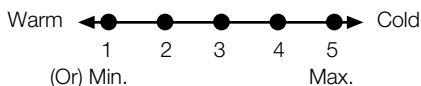




5 Χρήση του ψυγείου σας



Η θερμοκρασία λειτουργίας ρυθμίζεται από το θερμοστάτη.



1 = Χαμηλότερη δυνατή ρύθμιση ψύξης
(Η πιο ζεστή ρύθμιση)

5 = Υψηλότερη δυνατή ρύθμιση ψύξης
(Η πιο κρύα ρύθμιση)

(ή)

Min. = Χαμηλότερη δυνατή ρύθμιση ψύξης

(Η πιο ζεστή ρύθμιση)

Max. = Υψηλότερη δυνατή ρύθμιση ψύξης

(Η πιο κρύα ρύθμιση)

Η μέση θερμοκρασία στο εσωτερικό του ψυγείου θα πρέπει να είναι περίπου +5°C.

Επιλέγεται τη ρύθμιση ανάλογα με την επιθυμητή θερμοκρασία.

Μπορείτε να σταματήσετε τη λειτουργία της συσκευής σας ρυθμίζοντας το κουμπί του θερμοστάτη στη θέση "0".


Παρακαλούμε έχετε υπόψη σας ότι θα υπάρχουν διαφορές θερμοκρασίας στην περιοχή ψύξης.

Η πιο ψυχρή περιοχή είναι αμέσως επάνω από το διαμέρισμα λαχανικών.

Η εσωτερική θερμοκρασία εξαρτάται επίσης από τη θερμοκρασία του περιβάλλοντος, τη συχνότητα με την οποία ανοίγεται η πόρτα και την ποσότητα των φαγητών που διατηρείται στο ψυγείο. Το συχνό άνοιγμα της πόρτας προκαλεί αύξηση της εσωτερικής θερμοκρασίας. Για το λόγο αυτό συνιστούμε να κλείνετε την πόρτα όσο το δυνατόν συντομότερα μετά τη χρήση.

Κατάψυξη

Κατάψυξη τροφίμων

Ο χώρος της κατάψυξης επισημαίνεται με το σύμβολο .

Μπορείτε να χρησιμοποιήσετε τη συσκευή σας για να καταψύχετε νωπά τρόφιμα καθώς και για την αποθήκευση προκατεψυγμένων τροφίμων.

Παρακαλούμε να συμβουλευέστε τις οδηγίες που αναγράφονται στη συσκευασία των τροφίμων.

• Προσοχή

Μην καταψύχετε αεριούχα ποτά, καθώς το υγρό που παγώνει μπορεί να σπάσει το μπουκάλι.

Να είστε προσεκτικοί με κατεψυγμένα προϊόντα όπως χρωματιστά παγάκια.

Μην υπερβαίνετε την 24ωρη ικανότητα κατάψυξης της συσκευής σας. Δείτε την πινακίδα στοιχείων.

Για να διατηρηθεί η ποιότητα των τροφίμων, η κατάψυξή τους πρέπει να γίνεται όσο το δυνατόν πιο σύντομα.

Έτσι δεν θα ξεπεραστεί η ικανότητα κατάψυξης και δεν θα ανέβει η θερμοκρασία μέσα στην κατάψυξη.

• Προσοχή

Διατηρείτε τα ήδη κατεψυγμένα τρόφιμα πάντα χωριστά από τρόφιμα που μόλις τοποθετήθηκαν.

Όταν καταψύχετε καυτό φαγητό, ο συμπιεστής ψύξης θα λειτουργεί έως ότου το φαγητό καταψυχθεί τελείως. Αυτό μπορεί προσωρινά να προκαλέσει υπερβολική ψύξη στο χώρο της συντήρησης.

Αν είναι δύσκολο να ανοίξετε την πόρτα της κατάψυξης αμέσως μετά το κλείσιμό της, μην ανησυχήσετε. Αυτό οφείλεται στη διαφορά πίεσης. Μετά από λίγα λεπτά οι πιέσεις θα εξισωθούν και η πόρτα θα μπορεί να ανοίξει κανονικά.

Θα ακούσετε έναν ήχο κενού αμέσως μόλις κλείσετε την πόρτα. Αυτό είναι πολύ φυσιολογικό.

Πώς να φτιάχνετε παγάκια

Γεμίστε το δίσκο για παγάκια με νερό ως τα 3/4 της στάθμης και βάλτε τον στην κατάψυξη.

Μόλις το νερό παγώσει μπορείτε να βγάλετε τα παγάκια.

Ποτέ μη χρησιμοποιείτε αιχμηρά αντικείμενα όπως μαχαίρια ή πιρούνια για να βγάλετε τα παγάκια. Υπάρχει κίνδυνος τραυματισμού!

Αντί γι' αυτό αφήστε τα παγάκια να λιώσουν ελαφρά ή βάλτε το κάτω μέρος του δίσκου για λίγο σε καυτό νερό.

Αποθήκευση κατεψυγμένων τροφίμων

Ο χώρος της κατάψυξης επισημαίνεται με αυτό το σύμβολο (* *).

Ο χώρος της κατάψυξης είναι κατάλληλος για την αποθήκευση προ-κατεψυγμένων τροφίμων. Θα πρέπει πάντα να τηρούνται οι συστάσεις για την αποθήκευσή τους, όπως αυτές αναγράφονται στη συσκευασία των τροφίμων.

Απόψυξη της συσκευής

Η υπερβολική συσσώρευση πάγου θα επηρεάσει την ψυκτική απόδοση της συσκευής σας.

Γι' αυτό σας συνιστούμε να πραγματοποιείτε απόψυξη στη συσκευή σας τουλάχιστον δυο φορές το χρόνο ή όταν το πάχος του πάγου ξεπερνά τα 7 χιλιοστά.

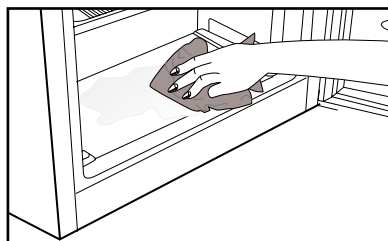
Να κάνετε την απόψυξη της συσκευής όταν αυτή περιέχει λίγα ή καθόλου φαγητά.

Βγάλτε το φαγητό που βρίσκεται σε βαθιά ψύξη. Τυλίξτε το φαγητό βαθιάς ψύξης με αρκετές στρώσεις χαρτιού ή μια κουβέρτα και φυλάξτε το σε ένα κρύο μέρος.

Βγάλτε το φιν από την πρίζα ή κλείστε το διακόπτη ασφαλείας για να αρχίσει η διαδικασία της απόψυξης.

Βγάλτε τα αξεσουάρ (όπως ράφια, συρτάρια κλπ.) από τη συσκευή και χρησιμοποιήστε ένα κατάλληλο δοχείο για να συλλέξετε το νερό της απόψυξης.

Χρησιμοποιήστε ένα σφουγγάρι ή μαλακό πανί για να αφαιρέσετε αν χρειάζεται το νερό της απόψυξης στο χώρο κατάψυξης (* * * *) και το χώρο κατεψυγμένων τροφίμων (* *).



Κατά την απόψυξη κρατάτε την πόρτα ανοιχτή.

Για πιο γρήγορη απόψυξη, τοποθετήστε μέσα στη συσκευή δοχεία με χλιαρό νερό.

Ποτέ μη χρησιμοποιείτε ηλεκτρικές συσκευές, σπρέι απόψυξης ή μυτερά ή αιχμηρά αντικείμενα όπως μαχαίρια ή πιρούνια για να αφαιρέσετε τον πάγο.

Αφού τελειώσει η απόψυξη, καθαρίστε το εσωτερικό της συσκευής.

Συνδέστε πάλι τη συσκευή στην παροχή ρεύματος. Τοποθετήστε το κατεψυγμένο φαγητό στα συρτάρια και τοποθετήστε τα συρτάρια στον καταψύκτη.

Ψύξη

Αποθήκευση των τροφίμων

Ο χώρος συντήρησης προορίζεται για τη βραχυπρόθεσμη διατήρηση νωπών τροφίμων και ποτών.

Αποθηκεύετε τα γαλακτοκομικά προϊόντα στο ειδικό γ' αυτά διαμέρισμα του ψυγείου.

Τα μπουκάλια μπορούν να διατηρούνται στην υποδοχή μπουκαλιών ή στο ράφι μπουκαλιών της πόρτας.

Το ωμό κρέας διατηρείται καλύτερα σε σακούλα από πολυαιθυλένιο στο κάτω μέρος του ψυγείου.

Αφήνετε τα ζεστά φαγητά και ποτά να κρυνώνουν σε θερμοκρασία δωματίου πριν τα τοποθετήσετε στο ψυγείο.

• Προσοχή

Αποθηκεύετε τα υγρά με μεγάλη περιεκτικότητα σε οινόπνευμα μόνο σε όρθια και σφικτά κλεισμένα δοχεία.

• Προσοχή

Μην αποθηκεύετε στη συσκευή εκρηκτικές ουσίες ή δοχεία με εύφλεκτα προωθητικά αέρια (έτοιμη σαντιγί σε μεταλλικά δοχεία, δοχεία σπρέι κλπ.).

Υπάρχει κίνδυνος έκρηξης.

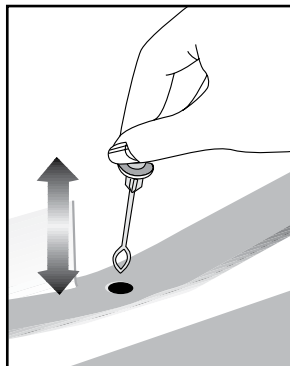
Απόψυξη της συσκευής

Ο χώρος της συντήρησης αποψύχεται αυτόματα. Το νερό από την απόψυξη κυλάει από το κανάλι αποστράγγισης σε δοχείο συλλογής που βρίσκεται στο πίσω μέρος της συσκευής.

Κατά την απόψυξη, σχηματίζονται σταγονίδια νερού στο πίσω τοίχωμα του ψυγείου λόγω εξάτμισης.

Αν δεν κυλήσουν κάτω όλα τα σταγονίδια, μπορεί να παγώσουν πάλι μετά την ολοκλήρωση της απόψυξης. Αφαιρέστε τα με ένα μαλακό πανί που έχει υγρανθεί με χλιαρό νερό. Μην χρησιμοποιείτε σκληρά ή αιχμηρά αντικείμενα.

Ελέγχετε περιοδικά τη ροή του νερού απόψυξης. Ενδεχομένως περιστασιακά να φράζει η διόδός του. Καθαρίστε τη διόδο με καθαριστή σωλήνων ή παρόμοιο εργαλείο.



6 Συντήρηση και καθαρισμός

- ⚠ Ποτέ μη χρησιμοποιήσετε βενζίνη, βενζόλιο ή παρόμοια υλικά για τον καθαρισμό.
- ⚠ Συνιστούμε να αποσυνδέετε τη συσκευή από την πρίζα πριν τον καθαρισμό.
- ❗ Ποτέ μη χρησιμοποιείτε για τον καθαρισμό οποιοδήποτε αιχμηρό όργανο που χαράζει, σαπούνι, οικιακά καθαριστικά, απορρυπαντικά και γυαλιστικά κεριού.
- ❗ Για να καθαρίσετε το περίβλημα του ψυγείου σας, χρησιμοποιήστε χλιαρό νερό και κατόπιν σκουπίστε το για να στεγνώσει.
- ❗ Για να καθαρίσετε το εσωτερικό, χρησιμοποιήστε πανί που έχει υγρανθεί ελαφρά σε διάλυμα από μια κουταλιά του γλυκού μαγειρικής σόδας σε περίπου μισό λίτρο νερού. Κατόπιν σκουπίστε τις επιφάνειες για να στεγνώσουν.
- ⚠ Φροντίστε απαραίτητα να μην εισέλθει νερό στο περίβλημα της λάμπας και σε άλλα ηλεκτρικά εξαρτήματα.
- ⚠ Εάν το ψυγείο σας δεν πρόκειται να χρησιμοποιηθεί για μεγάλη χρονική περίοδο, αποσυνδέστε το καλώδιο ρεύματος από την πρίζα, αφαιρέστε όλα τα τρόφιμα, καθαρίστε το και αφήστε την πόρτα μισάνοιχτη.
- ❗ Ελέγχετε τακτικά τις στεγανοποιήσεις στις πόρτες για να βεβαιωθείτε ότι είναι καθαρές και απαλλαγμένες από σωματίδια τροφίμων.
- ❗ Για να αφαιρέσετε ένα ράφι πόρτας, αφαιρέστε όλα τα περιεχόμενα και κατόπιν απλά σπρώξτε το ράφι προς τα πάνω ώστε να βγει από τη βάση του.

- ❗ Ποτέ μη χρησιμοποιείτε ποτέ καθαριστικούς παράγοντες ή νερό που περιέχει χλώριο για να καθαρίσετε τις εξωτερικές επιφάνειες και τα επιχρωμιωμένα εξαρτήματα του προϊόντος. Το χλώριο προκαλεί διάβρωση σε μεταλλικές επιφάνειες αυτού του είδους.
- ❗ Μη χρησιμοποιείτε εργαλεία που κόβουν και χαράζουν ή σαπούνι, οικιακά καθαριστικά, απορρυπαντικά βενζίνη, βενζόλιο, κεριό κλπ, διαφορετικά οι στάμπες στα πλαστικά εξαρτήματα θα σβήσουν και θα προκύψει παραμόρφωση. Για τον καθαρισμό χρησιμοποιήστε χλιαρό νερό και ένα μαλακό πανί και σκουπίστε για να στεγνώσει.

Προστασία των πλαστικών επιφανειών

- ❗ Μην τοποθετείτε υγρά λάδια ή φαγητά μαγειρεμένα σε λάδι στο ψυγείο σας σε μη σφραγισμένα δοχεία, επειδή προξενούν βλάβες στις πλαστικές επιφάνειες του ψυγείου σας. Σε περίπτωση που χυθεί ή αλειφτεί λάδι στις πλαστικές επιφάνειες, αμέσως καθαρίστε και ξεπλύνετε το επηρεαζόμενο μέρος της επιφάνειας με χλιαρό νερό.

7 Συνιστώμενες λύσεις για προβλήματα

Παρακαλούμε συμβουλευτείτε τη λίστα πριν καλέσετε το σέρβις. Έτσι μπορείτε να εξοικονομήσετε χρόνο και χρήματα. Η λίστα αυτή περιλαμβάνει συχνά παράπονα που δεν είναι αποτέλεσμα ελαττωμάτων της κατασκευής ή των χρησιμοποιούμενων υλικών. Ορισμένες από τις δυνατότητες που περιγράφονται εδώ ίσως να μην υπάρχουν στη συσκευή σας.

Το ψυγείο δεν λειτουργεί.
<ul style="list-style-type: none">• Έχει συνδεθεί το ψυγείο σωστά στο ρεύμα; Συνδέστε το φως στην πρίζα στον τοίχο.• Μήπως έχει καεί η ασφάλεια της πρίζας στην οποία έχει συνδεθεί το ψυγείο ή η γενική ασφάλεια; Ελέγξτε την ασφάλεια.
Συμπύκνωση στα πλευρικά τοιχώματα του χώρου συντήρησης. (MULTI ZONE, COOL CONTROL και FLEXI ZONE)
<ul style="list-style-type: none">• Πολύ χαμηλές θερμοκρασίες περιβάλλοντος. Συχνό άνοιγμα και κλείσιμο της πόρτας. Πολύ υψηλή υγρασία περιβάλλοντος. Αποθήκευση τροφίμων που περιέχουν υγρά σε ανοικτά δοχεία. Η πόρτα έχει ξεχαστεί μισάνοιχτη.• Ρύθμιση του θερμοστάτη σε χαμηλότερη θερμοκρασία.• Μείωση του χρόνου που μένει ανοικτή η πόρτα ή λιγότερη συχνή χρήση της.• Κάλυψη με κατάλληλο υλικό του φαγητού που φυλάσσεται σε ανοικτά δοχεία.• Σκουπίστε τη συμπυκνωμένη υγρασία με στεγνό πανί και ελέγξτε αν επιμένει.
Ο συμπιεστής δεν λειτουργεί
<ul style="list-style-type: none">• Το προστατευτικό θερμικό του συμπιεστή θα ενεργοποιηθεί σε περίπτωση ξαφνικών διακοπών ρεύματος ή αν η συσκευή αποσυνδεθεί και συνδεθεί γρήγορα στο ρεύμα, όταν η πίεση του ψυκτικού μέσου στο σύστημα ψύξης του ψυγείου δεν έχει εξισορροπηθεί ακόμα.• Η λειτουργία του ψυγείου σας θα αρχίσει πάλι μετά από 6 λεπτά. <p>Παρακαλούμε καλέστε το σέρβις αν το ψυγείο σας δεν ξεκινήσει πάλι μετά το τέλος αυτού του χρονικού διαστήματος.</p> <ul style="list-style-type: none">• Το ψυγείο βρίσκεται στον κύκλο απόψυξης. Αυτό είναι κανονικό για ψυγείο που δεν διαθέτει απόλυτα αυτόματη απόψυξη. Ο κύκλος απόψυξης λαμβάνει χώρα περιοδικά.• Το ψυγείο δεν έχει συνδεθεί στην πρίζα. Βεβαιωθείτε ότι το φως έχει τοποθετηθεί σωστά στην πρίζα.• Έχουν γίνει σωστά οι ρυθμίσεις θερμοκρασίας; Υπάρχει διακοπή ρεύματος. Καλέστε την εταιρία σας παροχής ηλεκτρισμού.

Το ψυγείο ενεργοποιείται συχνά ή για πολλή ώρα.
<ul style="list-style-type: none"> • Το νέο σας ψυγείο μπορεί να είναι πλατύτερο από το παλαιό. Αυτό είναι πολύ φυσιολογικό. Τα μεγάλα ψυγεία λειτουργούν για μεγαλύτερο χρονικό διάστημα. • Η θερμοκρασία του περιβάλλοντος χώρου είναι πολύ υψηλή. Αυτό είναι πολύ φυσιολογικό. • Το ψυγείο ίσως συνδέθηκε στην πρίζα πρόσφατα ή μπορεί να έχει φορτωθεί με πολλά τρόφιμα. Η πλήρης ψύξη του ψυγείου σας στη θερμοκρασία λειτουργίας μπορεί να διαρκέσει δύο ώρες επιπλέον. • Μπορεί πρόσφατα να τοποθετήθηκαν στο ψυγείο μεγάλες ποσότητες ζεστού φαγητού. Το πολύ ζεστό φαγητό προκαλεί λειτουργία του ψυγείου για περισσότερη ώρα έως ότου φθάσει την επιθυμητή θερμοκρασία φύλαξης των τροφίμων. • Ίσως να ανοίγονταν συχνά οι πόρτες ή να παρέμειναν μισάνοιχτες για μεγάλο χρονικό διάστημα. Ο θερμός αέρας που έχει εισέλθει στο ψυγείο προκαλεί τη λειτουργία του ψυγείου για μεγαλύτερες χρονικές περιόδους. Ανοίγετε τις πόρτες λιγότερο συχνά. • Η πόρτα του χώρου κατάψυξης ή συντήρησης μπορεί να έχει ξεχαστεί μισάνοιχτη. Ελέγξτε αν οι πόρτες έχουν κλείσει καλά. • Το ψυγείο έχει ρυθμιστεί σε πολύ χαμηλή θερμοκρασία. Ρυθμίστε τη θερμοκρασία του ψυγείου σε υψηλότερο επίπεδο και περιμένετε έως ότου επιτευχθεί αυτή η θερμοκρασία. • Η στεγανοποίηση πόρτας της συντήρησης ή κατάψυξης μπορεί να είναι λερωμένη, φθαρμένη, σπασμένη ή δεν εφαρμόζει καλά. Καθαρίστε ή αντικαταστήστε τη στεγανοποίηση. Αν υπάρχει ζημιά/ σπάσιμο στη στεγανοποίηση της πόρτας, μπορεί να προκληθεί λειτουργία του ψυγείου για μεγαλύτερες περιόδους για να διατηρείται η τρέχουσα θερμοκρασία.
Η θερμοκρασία της κατάψυξης είναι πολύ χαμηλή ενώ η θερμοκρασία της συντήρησης είναι επαρκής.
<ul style="list-style-type: none"> • Η θερμοκρασία του χώρου κατάψυξης έχει ρυθμιστεί σε πολύ χαμηλό επίπεδο. Ρυθμίστε τη θερμοκρασία του χώρου κατάψυξης σε υψηλότερο επίπεδο και ελέγξτε.
Η θερμοκρασία της συντήρησης είναι πολύ χαμηλή ενώ η θερμοκρασία της κατάψυξης είναι επαρκής.
<ul style="list-style-type: none"> • Η θερμοκρασία του χώρου συντήρησης έχει ρυθμιστεί σε πολύ χαμηλό επίπεδο. Ρυθμίστε τη θερμοκρασία του χώρου συντήρησης σε υψηλότερο επίπεδο και ελέγξτε.
Τα τρόφιμα στα συρτάρια της συντήρησης παγώνουν.
<ul style="list-style-type: none"> • Η θερμοκρασία του χώρου συντήρησης έχει ρυθμιστεί σε πολύ χαμηλό επίπεδο. Ρυθμίστε τη θερμοκρασία του χώρου συντήρησης σε υψηλότερο επίπεδο και ελέγξτε.

<p>Η θερμοκρασία στη συντήρηση ή την κατάψυξη είναι πολύ υψηλή.</p> <ul style="list-style-type: none"> • Η θερμοκρασία της συντήρησης έχει ρυθμιστεί σε πολύ υψηλό επίπεδο. Η ρύθμιση της συντήρησης έχει επίδραση στη θερμοκρασία της κατάψυξης. Αλλάξτε τη θερμοκρασία της συντήρησης ή κατάψυξης έως ότου η θερμοκρασία της συντήρησης ή κατάψυξης φθάσει σε επαρκές επίπεδο. • Η πόρτα μπορεί να έχει μείνει μισάνοιχτη. Κλείστε καλά την πόρτα. • Μπορεί πρόσφατα να τοποθετήθηκαν στο ψυγείο μεγάλες ποσότητες ζεστού φαγητού. Περιμένετε έως ότου η συντήρηση ή η κατάψυξη φθάσει στην επιθυμητή θερμοκρασία. • Το ψυγείο μπορεί να έχει συνδεθεί στην πρίζα πρόσφατα. Η πλήρης ψύξη του ψυγείου απαιτεί χρόνο λόγω του μεγέθους του.
<p>Το ψυγείο παράγει θόρυβο παρόμοιο με το tik tak του ρολογιού.</p> <ul style="list-style-type: none"> • Ο θόρυβος προέρχεται από την ηλεκτρομαγνητική βαλβίδα του ψυγείου. Ο σκοπός της ηλεκτρομαγνητικής βαλβίδας είναι η εξασφάλιση της διέλευσης ψυκτικού μέσου μέσα από το χώρο που μπορεί να ρυθμιστεί σε θερμοκρασίες ψύξης ή κατάψυξης, και η εκτέλεση των λειτουργιών ψύξης. Αυτό είναι φυσιολογικό και δεν αποτελεί ένδειξη δυσλειτουργίας.
<p>Ο θόρυβος λειτουργίας αυξάνεται όταν λειτουργεί το ψυγείο.</p> <ul style="list-style-type: none"> • Τα χαρακτηριστικά λειτουργίας του ψυγείου μπορεί να διαφέρουν ανάλογα με τις μεταβολές της θερμοκρασίας περιβάλλοντος. Το φαινόμενο είναι φυσιολογικό και δεν αποτελεί ένδειξη δυσλειτουργίας.
<p>Κραδασμοί ή θόρυβος.</p> <ul style="list-style-type: none"> • Το δάπεδο δεν είναι ομαλό ή δεν είναι ανθεκτικό. Το ψυγείο ταλαντεύεται όταν μετακινηθεί ελαφρά. Βεβαιωθείτε ότι το δάπεδο είναι οριζόντιο, ανθεκτικό και ικανό να φέρει το βάρος του ψυγείου. • Ο θόρυβος μπορεί να προκαλείται από αντικείμενα που έχουν τοποθετηθεί πάνω στο ψυγείο. Αυτά τα είδη πρέπει να απομακρυνθούν από τη συσκευή.
<p>Υπάρχουν θόρυβοι σαν ροής ή ψεκασμού υγρού.</p> <ul style="list-style-type: none"> • Η ροή υγρών και αερίων είναι σύμφωνη με την αρχή λειτουργίας του ψυγείου σας. Το φαινόμενο είναι φυσιολογικό και δεν αποτελεί ένδειξη δυσλειτουργίας.
<p>Υπάρχει θόρυβος σαν ανέμου που φυσά.</p> <ul style="list-style-type: none"> • Για την αποτελεσματική ψύξη του ψυγείου χρησιμοποιούνται συσκευές διακίνησης αέρα (ανεμιστήρες). Το φαινόμενο είναι φυσιολογικό και δεν αποτελεί ένδειξη δυσλειτουργίας.
<p>Συμπύκνωση στα εσωτερικά τοιχώματα του ψυγείου.</p> <ul style="list-style-type: none"> • Ο ζεστός και υγρός καιρός αυξάνει το σχηματισμό πάγου και συμπύκνωσης. Το φαινόμενο είναι φυσιολογικό και δεν αποτελεί ένδειξη δυσλειτουργίας. • Η πόρτες είναι μισάνοιχτες. Βεβαιωθείτε ότι οι πόρτες είναι τελείως κλειστές. • Ίσως να ανοίγονταν συχνά οι πόρτες ή να παρέμειναν ανοικτές για μεγάλο χρονικό διάστημα. Ανοίγετε την πόρτα λιγότερο συχνά.

Εμφανίζεται υγρασία στο εξωτερικό του ψυγείου ή ανάμεσα στις πόρτες.
<ul style="list-style-type: none"> • Ο καιρός μπορεί να είναι υγρός. Αυτό είναι πολύ φυσιολογικό σε περίπτωση υγρού καιρού. Όταν η υγρασία είναι μικρότερη, η συμπύκνωση θα πάψει να εμφανίζεται.
Κακοσμία στο εσωτερικό του ψυγείου.
<ul style="list-style-type: none"> • Το εσωτερικό του ψυγείου πρέπει να καθαριστεί. Καθαρίστε το εσωτερικό του ψυγείου, με ένα σφουγγάρι, χλιαρό νερό ή διάλυμα μαγειρικής σόδας σε νερό. • Ίσως η οσμή να προκαλείται από ορισμένα δοχεία ή υλικά συσκευασίας. Χρησιμοποιήστε διαφορετικό δοχείο ή διαφορετική μάρκα υλικού συσκευασίας.
Η (Οι) πόρτα(-ες) δεν κλείνει(-ουν).
<ul style="list-style-type: none"> • Συσκευασίες τροφίμων ίσως να εμποδίζουν το κλείσιμο της πόρτας. Μετατοπίστε τις συσκευασίες που εμποδίζουν την πόρτα. • Το ψυγείο πιθανόν να μην είναι εντελώς κατακόρυφο στο δάπεδο και μπορεί να ταλαντεύεται όταν σπρωχτεί ελαφρά. Ρυθμίστε τις βίδες ανύψωσης. • Το δάπεδο δεν είναι επίπεδο ή δεν είναι ανθεκτικό. Βεβαιωθείτε ότι το δάπεδο είναι οριζόντιο και ικανό να φέρει το βάρος του ψυγείου.
Τα συρτάρια λαχανικών έχουν κολλήσει.
<ul style="list-style-type: none"> • Τα τρόφιμα μπορεί να αγγίζουν την οροφή του συρταριού. Ανακατανείμτε τα τρόφιμα στο συρτάρι.

ΠΑΡ. ΣΕΪΤΑΝΙΔΗΣ Α.Ε.

ΠΟΛΥΣΤΥΛΟ ΚΑΒΑΛΑΣ ΤΗΛ 2510 392 180-3
ΥΠΟΚΑΤΑΣΤΗΜΑ ΑΘΗΝΩΝ
ΑΛΙΜΟΥ 8 ΚΑΙ ΖΑΛΟΓΓΟΥ, ΑΛΙΜΟΣ
ΤΗΛ 211 012 2829-30-31-32
E-mail: seitanidis@otenet.gr



ΕΓΓΥΗΣΗ

Η εταιρεία ΠΑΡ.ΣΕΪΤΑΝΙΔΗΣ Α.Ε. σας ευχαριστεί για την προτίμηση που δείξατε αγοράζοντας τις συσκευές beko και σας παρέχει τον παρακάτω χρόνο εγγύησης από την ημερομηνία αγοράς τους. Αν μέσα στην διάρκεια της εγγύησης η συσκευή σας χρειαστεί επισκευή, μπορείτε να ενημερωθείτε για τα εξουσιοδοτημένα service από το τηλεφωνικό κέντρο της εταιρεία μας στο τηλέφωνο **2510 392511 / 2510 392512**

ΨΥΓΕΙΑ	3 ΧΡΟΝΙΑ	ΚΑΤΑΨΥΚΤΕΣ	3 ΧΡΟΝΙΑ
ΚΟΥΖΙΝΕΣ	3 ΧΡΟΝΙΑ	ΦΟΥΡΝΟΙ ΜΙΚΡΟΚΥΜΑΤΩΝ	2 ΧΡΟΝΙΑ
ΠΛΥΝΤΗΡΙΑ	3 ΧΡΟΝΙΑ	ΜΙΚΡΟΣΥΣΚΕΥΕΣ - ΣΚΟΥΠΕΣ	2 ΧΡΟΝΙΑ

ΟΝΟΜΑΤΕΠΩΝΥΜΟ ΑΓΟΡΑΣΤΗ.....

ΑΡ. ΕΓΓΥΗΣΗΣ.....

.....

ΑΡ. ΠΑΡΑΣΤΑΤ. ΑΓΟΡΑΣ.....

ΔΙΕΥΘΥΝΣΗ.....

ΜΟΝΤΕΛΟ ΣΥΣΚΕΥΗΣ.....

.....

ΣΕΙΡΙΑΚΟΣ ΑΡΙΘΜΟΣ ΣΥΣΚΕΥΗΣ.....

ΤΗΛ :

ΗΜΕΡ/ΝΙΑ ΑΓΟΡΑΣ.....

ΣΦΡΑΓΙΔΑ & ΥΠΟΓΡΑΦΗ ΠΩΛΗΤΗ.....



ΟΝΟΜΑΤΕΠΩΝΥΜΟ ΑΓΟΡΑΣΤΗ.....

ΑΡ. ΕΓΓΥΗΣΗΣ.....

.....

ΑΡ. ΠΑΡΑΣΤΑΤ. ΑΓΟΡΑΣ.....

ΔΙΕΥΘΥΝΣΗ.....

ΜΟΝΤΕΛΟ ΣΥΣΚΕΥΗΣ.....

.....

ΣΕΙΡΙΑΚΟΣ ΑΡΙΘΜΟΣ ΣΥΣΚΕΥΗΣ.....

ΤΗΛ :

ΗΜΕΡ/ΝΙΑ ΑΓΟΡΑΣ.....

ΣΦΡΑΓΙΔΑ & ΥΠΟΓΡΑΦΗ ΠΩΛΗΤΗ.....

.....

ΟΡΟΙ ΚΑΙ ΠΡΟΫΠΟΘΕΣΕΙΣ ΙΣΧΥΟΣ ΤΗΣ ΠΑΡΟΥΣΗΣ ΕΓΓΥΗΣΗΣ

1. Για να ισχύει η παρούσα εγγύηση θα πρέπει να συμπληρωθούν πλήρως και να υπογραφούν δεόντως με φροντίδα του πελάτη και τα δύο μέρη της εγγύησης. Το απόκομμα για την εταιρεία θα πρέπει να ταχυδρομηθεί με συστημένη επιστολή ή να προσκομηθεί στα γραφεία της εταιρείας μας (Πολύστιλο Καβάλας Τ.Θ 1402 , Τ.Κ.64003) εντός 10 ημερών από την ημερομηνία αγοράς.
2. Η εργασιασική εγγύηση καλύπτει τον χρόνο που αναγράφεται στον σχετικό πίνακα για κάθε συσκευή, κάθε ανωμαλία ή βλάβη που οφείλεται αποκλειστικά σε κατασκευαστικό ελάττωμα ή ελαττωματικό εξάρτημα της συσκευής. Η αποκατάσταση της βλάβης γίνεται εντελώς δωρεάν δια της αντικατάστασης ή επισκευής του ελαττωματικού εξαρτήματος. Σε καμία περίπτωση δεν προβλέπεται η **αντικατάσταση** της συσκευής. Ο καταναλωτής οφείλει με δικές του δαπάνες να πάει την συσκευή στο κοντινότερο εξουσιοδοτημένο service της εταιρίας.
3. Η εταιρεία μας διατηρεί το δικαίωμα να καθορίζει τον τρόπο και τόπο επισκευής των βλαβών κατά την απόλυτη κρίση της .
4. Η εγγύηση δεν καλύπτει βλάβες που οφείλονται άμεσα ή έμμεσα σε αμέλεια , παράλειψη , κακή εγκατάσταση και πάσης φύσεως επέμβαση στη συσκευή από μη εξουσιοδοτημένο συνεργείο , κακή χρήση και ελλιπή συντήρηση της συσκευής. Επίσης η εταιρεία μας δεν ευθύνεται για βλάβες που οφείλονται σε κακή ηλεκτρική σύνδεση σε τάση διαφορετική από την αναγραφόμενη στη πινακίδα της συσκευής , σε μη γειωμένο ρευματοδότη ή σε μεταβολές της τάσης. Στις καλύψεις της εγγύησης δεν συμπεριλαμβάνονται τα εύθραυστα εξαρτήματα όπως ενδεικτικά αναφέρουμε :γυάλινες και πλαστικές επιφάνειες , λυχνίες κ.α.
5. Η εγγύηση παρέχεται προς τον αρχικό αγοραστή και ισχύει από την ημερομηνία αγοράς της συσκευής.
6. Η παρούσα εγγύηση πρέπει να συνοδεύεται από τιμολόγιο ή δελτίο λιανικής πώλησης ή φωτοαντίγραφο **αυτού**.

Αποφύγετε την αλλοίωση της εγγύησης και της πινακίδας μητρώου που βρίσκεται στο πίσω μέρος της συσκευής.

Φυλάξτε την εγγύηση και μετά την λήξη της.

Προσκομίστε την σε κάθε αίτημα για επισκευή.

ΠΡΟΣΟΧΗ

ΣΕ ΠΕΡΙΠΤΩΣΗ ΠΟΥ ΔΕΝ ΣΤΑΛΕΙ Η ΚΑΡΤΑ ΕΓΓΥΗΣΕΩΣ ΕΝΤΟΣ 10 ΗΜΕΡΩΝ ΣΤΗΝ ΕΤΑΙΡΕΙΑ ΔΕΝ ΙΣΧΥΕΙ Η ΕΓΓΥΗΣΗ ΤΗΣ ΣΥΣΚΕΥΗΣ ΠΟΥ ΕΠΙΛΕΞΑΤΕ

SERVICE ΛΕΥΚΩΝ ΣΥΣΚΕΥΩΝ

ΑΘΗΝΑ ΜΑΚΡΗΣ ΦΩΤΙΟΣ	210 2116649 6932366733	ΘΕΣΣΑΛΟΝΙΚΗ ΓΙΑΓΟΥΡΗΣ Π. Κ ΣΙΑ Ο.Ε.	6947424284 6936065106
ΠΑΤΡΑ ΧΟΡΜΠΑΣ ΝΙΚΟΛΑΟΣ	2610 640810 6932 437700	ΒΟΛΟΣ ΝΑΟΥΜΙΔΗΣ ΓΕΩΡΓΙΟΣ	22410 94130 6981972363
ΙΩΑΝΝΙΝΑ ΤΣΟΥΓΙΑΣ ΧΡΗΣΤΟΣ	26510 31947 6945 306990	ΚΟΜΟΤΗΝΗ ΠΑΠΑΖΟΥΔΗΣ ΚΩΝΣΤΑΝΤΙΝΟΣ	25310 33711 6932 587473

SERVICE ΘΑΛΕΟΡΑΣΕΩΝ – HIFI

ΑΘΗΝΑ ΜΑΝΩΛΟΠΟΥΛΟΣ ΓΕΩΡΓΙΟΣ	210 8836512	ΘΕΣΣΑΛΟΝΙΚΗ ΣΑΜΙΟΣ ΠΑΡΑΣΧΟΣ	2310 429229
ΠΑΤΡΑ ΗΛΙΟΠΟΥΛΟΣ ΔΗΜΗΤΡΙΟΣ	2610 622388	ΒΟΛΟΣ ΜΑΡΓΑΡΙΤΟΥΛΗΣ ΘΕΟΔΩΡΟΣ	24210 30113



ΠΡΟΣ : 

ΧΩΡΟΣ
ΓΡΑΜ / ΜΟΥ

ΠΑΡ. ΣΕΪΤΑΝΙΔΗΣ Α.Ε.

ΠΟΛΥΣΤΥΛΟ ΚΑΒΑΛΑΣ
Τ.Θ 1402 , Τ.Κ.64003
ΤΗΛ 2510 392180-3

Lūdzu, vispirms izlasiet šo rokasgrāmatu!

Cienījamais pircēj!

Ceram, ka jūsu produkts, kas ražots modernās rūpnīcās un pārbaudīts ļoti pedantiskas kvalitātes kontroles procedūras laikā, nodrošinās efektīvu darbību.




Tādēļ mēs vēlētos ieteikt pirms produkta izmantošanas rūpīgi izlasīt visu rokasgrāmatu un turēt to ērti pieejamā vietā, lai vienmēr varētu tajā ieskatīties.

Šī rokasgrāmata

- Palīdzēs ātri un droši lietot iekārtu.
 - Izlasiet šo rokasgrāmatu pirms produkta uzstādīšanas un izmantošanas.
 - Ievērojiet norādījumus, it īpaši tos, kas saistīti ar drošību.
 - Turiet šo rokasgrāmatu viegli pieejamā vietā, jo jums tā var būt nepieciešama vēlāk.
 - Izlasiet arī citus kopā ar produktu saņemtos dokumentus.
- Lūdzu, atcerieties, ka šī rokasgrāmata var attiekties arī uz citiem modeļiem.

Simboli un to apraksti

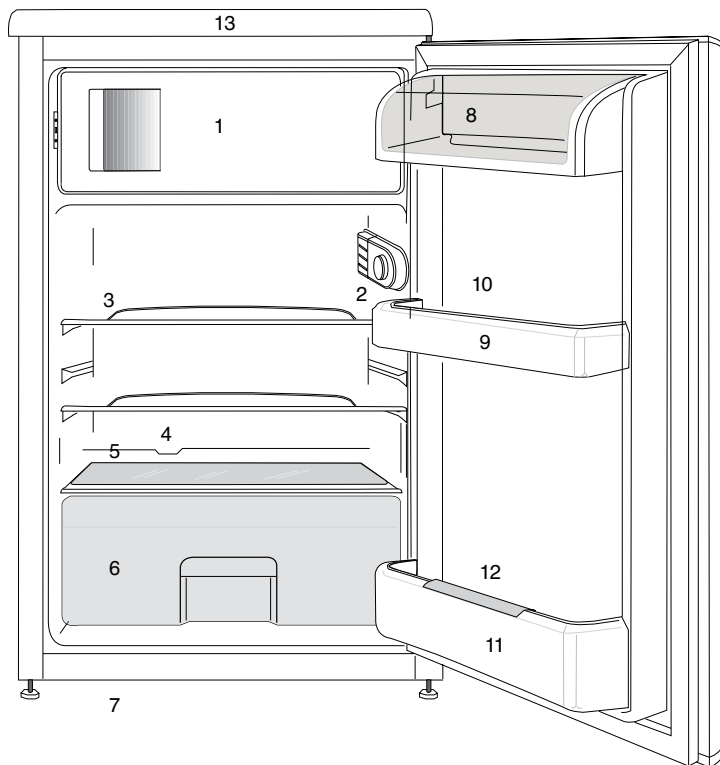
Šajā rokasgrāmatā redzami šādi simboli:

-  Svarīga informācija vai noderīgi padomi par izmantošanu.
-  Brīdinājums par dzīvībai un īpašumam bīstamiem apstākļiem.
-  Brīdinājums par elektrisko spriegumu.

SATURS

1 Jūsu ledusskapis	3	4 Sagatavošana	14
2 Svarīgi brīdinājumi par drošību	4	Durvju ievietošana otrādi.....16	
Paredzētā lietošana.....	4	5 Ledusskapja izmantošana	18
Vispārējā drošība.....	4	Sasaldēšana	18
Piezīme par iekārtām ar ūdens automātu;.....	8	Pārtikas sasaldēšana	18
Bērnu drošība.....	8	Ledus gabaliņu pagatavošana.....	19
Atbilstība EEIA direktīvai un atkritumu pārstrāde	9	Sasaldētas pārtikas uzglabāšana	19
Atbilstība direktīvai par bīstamo vielu ierobežošanu elektroniskajā un elektriskajā aprīkojumā.....	9	Iekārtas atļaidināšana	19
Informācija par iepakojumu.....	9	Atdzesēšana.....	20
Brīdinājums par HC	9	Pārtikas uzglabāšana.....	20
Kas darāms, lai ietaupītu enerģiju	9	Iekārtas atļaidināšana	21
3 Uzstādīšana	11	6 Apkope un tīrīšana	22
Lietas, kas jāapsver, atkārtoti pārvietojot ledusskapi.....	11	Plastmasas virsmu aizsargāšana	22
Pirms ledusskapja izmantošanas.....	11	7 Ieteicamie problēmu risinājumi	23
Pievienošana elektrotīklam.....	12		
Atbrīvošanās no iepakojuma	12		
Atbrīvošanās no vecā ledusskapja ...	12		
Novietošana un uzstādīšana.....	12		
Kājiņu noregulēšana	13		
Apgaismojuma lampas nomaiņa	13		
Uzstādīšana (zem letes).....	13		

1 Jūsu ledusskapis



- 1- a.) Saldēšanas kamera un ledus paplāte (❄️ modeļiem)
b.) Saldētas pārtikas nodalījums un ledus paplāte (❄️ modeļiem)
- 2- Iekšējais apgaismojums un termostata pārslēgs
- 3- Pārvietojami plaukti
- 4- Atlaidinātā ledus ūdens savākšanas kanāls – Noliešanas caurule
- 5- Augļu nodalījuma vāks
- 6- Augļu nodalījums
- 7- Regulējamas priekšējās kājas
- 8- Piena produktu nodalījums
- 9- Durvju plaukti
- 10- Olu turētājs
- 11- Pudeļu plaukts
- 12- Pudeles turētājs
- 13- Augšējā apmale

ⓘ Attēli šajā instrukciju rokasgrāmatā ir shematiski un var precīzi neatbilst jūsu modelim. Ja attiecīgās daļas nav iekļautas jūsu iegādātā produkta komplektācijā, tad tās attiecas uz citiem modeļiem.

2 Svarīgi brīdinājumi par drošību

Lūdzu, iepazīstieties ar šo informāciju. Šīs informācijas neievērošana var kļūt par cēloni traumām vai materiālajiem bojājumiem. Tā rezultātā visas garantijas un saistības par iekārtas drošību zaudēs spēku.

Originālās rezerves daļas tiks nodrošinātas 10 gadus, sākot ar produkta iegādes datumu.

Paredzētā lietošana

⚠	BRĪDINĀJUMS: Nenosprostojiet ierīces korpusā vai iekšpusē esošās ventilācijas atveres.
⚠	BRĪDINĀJUMS: Atkausēšanas procesa paātrināšanai neizmantojiet mehāniskas ierīces vai citus līdzekļus, ko nav rekomendējis ražotājs.
⚠	BRĪDINĀJUMS: Nebojājiet dzesētājielas kontūru.
⚠	BRĪDINĀJUMS: Pārtikas glabāšanas nodalījumos šajā ierīcē neizmantojiet elektroierīces, ko ražotājs nav rekomendējis.
⚠	BRĪDINĀJUMS! Neglabājiet šajā iekārtā sprādzienbīstamas vielas, piemēram, aerosolus ar viegli uzliesmojošiem propelentiem.

Šī ierīce ir paredzēta lietošanai mājssaimniecībā un šāda veida lietojumam:

- personāla virtuves zonās veikalos, birojos un citā darba vidē;

- lauku mājās, kā arī lietošanai viesnīcu un moteļu viesiem un citā dzīvojamā tipa vidē;

- naktsmītnēs ar iekļautu brokastu piedāvājumu;

- sabiedriskās ēdināšanas u. c. lietojumam, kas neietver mazumtirdzniecību.

Vispārējā drošība

- Ja vēlaties atbrīvoties no šī izstrādājuma vai to pārstrādāt, mēs iesakām konsultēties ar pilnvarotu apkalpošanas centru, lai uzzinātu nepieciešamo informāciju un atrastu pilnvarotās organizācijas.

- Sazinieties ar pilnvarotu apkalpošanas centru saistībā ar visiem jautājumiem un problēmām attiecībā uz ledusskapi. Neveiciet ledusskapja remontu vai modifikāciju un nelaujiet to darīt citiem, neinformējot pilnvarotus pakalpojuma sniedzējus.

- Piezīme par iekārtām ar saldēšanas kameru: neēdiet saldējumu un ledus gabaliņus tūlīt pēc izņemšanas no saldēšanas kameras! (Tas var izraisīt mutes apsaldēšanu.)

- Piezīme par iekārtām ar saldēšanas kameru: neievietojiet šķidrus, pudelēs vai skārdenēs esošus dzērienus saldēšanas kamerā. Tie var saplīst.

- Nepieskarieties sasaldētam ēdienam ar rokām, jo tas var pie tām pielipt.

- Pirms atļaidināšanas vai tīrīšanas atvienojiet ledusskapi no barošanas avota.

- Ledusskapja tīrīšanas un atļaidināšanas laikā nevajadzētu izmantot tvaiku un izgarojošus tīrīšanas līdzekļus. Šādos gadījumos garaiņi var pieklūt elektriskajām daļām un radīt īssavienojumu vai elektriskās strāvas triecienu.

- Nekad neizmantojiet ledusskapja daļas, piemēram, durvis, kā atbalstu vai pakāpienu.

- Neizmantojiet elektriskās iekārtas ledusskapja iekšpusē.

- Neurbiet un nezāģējiet daļas, kurās cirkulē dzesēšanas šķidrums. Dzesēšanas šķidrums, kas var izplūst, kad iztvaices aparāta gāzes kanāli, cauruļvadu pagarinājumi vai virsmas apvalki tiek pārplēsti, izraisa ādas iekaisumus un acu traumas.

- Ar nekādiem materiāliem neaizklājiet un nenobloķējiet ledusskapja

ventilācijas atveres.

- Elektroiekārtu remontu drīkst veikt tikai pilnvarotas personas. Labošana, ko veikušas nekompetentas personas, rada risku lietotājam.

- Bojājuma vai apkopes un labošanas darbu laikā atvienojiet ledusskapja strāvas padevi, atvienojot attiecīgo drošinātāju vai iekārtas spraudkontakta.

- Atvienojot spraudkontakta, to nevelciet aiz vada.

- Dzērieni ar augstu alkohola saturu ir jāuzglabā vertikālā stāvoklī un ar nostiprinātu vāku.

- Nekādā gadījumā neglabājiet ledusskapi aerosolus, kuru sastāvā ir viegli uzliesmojošas un sprādzienbīstamas vielas.

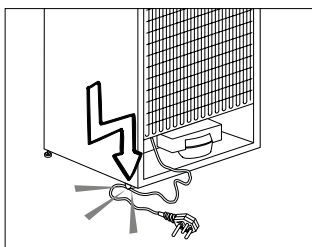
- Neizmantojiet mehāniskas ierīces vai citus līdzekļus, lai paātrinātu atļaidināšanas procesu, ja vien tos nav ieteicis ražotājs.

- Šī iekārta nav paredzēta, lai to izmantotu personas ar fiziskajiem, garīgajiem un uztveres traucējumiem vai cilvēki bez pieredzes un zināšanām (tostarp bērni), ja vien viņus neuzrauga persona, kas ir atbildīga par viņu drošību vai sniedz norādījumus par iekārtas izmantošanu.

- Neizmantojiet bojātu ledusskapi. Ja jums rodas kaut kādas bažas, sazinieties ar apkalpošanas pārstāvi.
- Ledusskapja elektrodrošība var tikt garantēta tikai tad, ja iezemējuma sistēma jūsu mājā atbilst standartiem.
- Iekārtas pakļaušana lietus, sniega, saules un vēja iedarbībai apdraud elektrodrošību.
- Ja spēka kabelis ir bojāts, lai izvairītos no briesmām, sazinieties ar pilnvarotu apkalpošanas centru.
- Uzstādīšanas laikā nekādā gadījumā neievietojiet spraudkontakta sienas kontaktligzdā. Pretējā gadījumā var rasties nāves draudu vai nopietnas traumas risks.
- Šis ledusskapis ir paredzēts tikai pārtikas uzglabāšanai. To nevajadzētu izmantot nekādam citam mērķim.
- Uzlīme ar izstrādājuma tehniskajiem datiem atrodas ledusskapja iekšpusē pa kreisi.
- Nekādā gadījumā nepievienojiet ledusskapi pie elektrības taupīšanas sistēmas, jo tas var sabojāt ledusskapi.
- Ja ledusskapim ir zils gaismas indikators, ilgstoši neskatieties uz to ar neapbruņotu aci vai caur

optiskajām ierīcēm.

- Ja ledusskapji ir manuāli vadāmi, tad pirms to pārstartēšanas pēc elektropadeves traucējumiem ir jāpagaida vismaz 5 minūtes.
- Ja ledusskapis tiek atdots kādam citam, arī šī lietošanas rokasgrāmata ir jāatdod jaunajam īpašniekam.
- Ledusskapja transportēšanas laikā izvairieties no spēka kabeļa bojājumiem. Kabeļa saliekšana var izraisīt ugunsgrēku. Nekādā gadījumā nelieciet uz spēka kabeļa smagus priekšmetus. Pievienojot iekārtu barošanas avotam, nepieskarieties spraudkontakta ar slapjām rokām.



- Novietojot iekārtu, nodrošiniet, lai elektrības kabelis netiktu iespiests vai bojāts.
- Iekārtas aizmugurē novietojiet vairākas pārvietojamās elektrības kontaktligzdas vai barošanas avotus.
- Bērniem no 3 līdz 8 gadu vecumam ir atļauts uzpildīt un izkraut saldēšanas iekārtas.

- Lai izvairītos no pārtikas saindēšanas, lūdzu, ievērojiet šos norādījumus:
- – Ilgstoša durvju atvēršana var radīt būtisku temperatūras pieaugumu
- iekārtas nodalījumos.
- – Regulāri tīriet virsmas, kas var nonākt saskarsmē ar pārtiku, un noplūdes sistēmas, kam iespējams piekļūt.
- – Tīriet ūdens tvertnes, ja tās nav izmantotas 48 h; izskalojiet ūdens sistēmu, kas pieslēgta ūdens apgādes sistēmai, ja ūdens nav izskalots 5 dienas.
- – Glabājiet jēlu gaļu un zivis piemērotās tvertnēs ledusskapī, lai pārtika nesaskartos ar ledusskapi vai
- lai ūdens nepilētu uz citas pārtikas.
- – Divu zvaigžņu saldētas pārtikas nodalījumi ir piemēroti iepriekš sasaldētas pārtikas glabāšanai, saldējuma gatavošanai
- un ledus gabaliņu pagatavošanai.
- – Vienas, divu un trīs zvaigžņu nodalījumi nav paredzēti svaigas pārtikas saldēšanai.
- – Ja dzesēšanas iekārta tiks ilgstoši atstāta tukša, izslēdziet, atkausējiet, iztīriet, izžāvējiet to un atstājiet
- durvis atvērtas, lai novērstu pelējuma veidošanos iekārtā.
- Nepievienojiet ledusskapi vaiļigai sienas kontaktligzdai.
- Drošības apsvērumu dēļ izvairieties no ledusskapja iekšējo un ārējo daļu apšļakstīšanas ar ūdeni.
 - Lai izvairītos no ugunsgrēka un sprādziena riska, ledusskapja tuvumā neizsmidziniet vielas, kuru sastāvā ir viegli uzliesmojušas gāzes, piemēram, propāna gāze.
 - Nekādā gadījumā nelieciet uz ledusskapja virsmas traukus ar ūdeni, jo tas var izraisīt elektriskās strāvas triecienu vai ugunsgrēku.
 - Nepārslogojiet ledusskapi ar pārāk lielu pārtikas daudzumu. Ja ledusskapis ir pārāk pilns, tad, atverot durvis, pārtika var izkrist no ledusskapja, radot kaitējumu jums vai iekārtai. Nekādā gadījumā nelieciet priekšmetus uz ledusskapja virsmas, jo ledusskapja durvju atvēršanas vai aizvēršanas laikā tie var nokrist.
 - Ledusskapī nedrīkst turēt vakcīnas, temperatūras jutīgus medikamentus un zinātniskiem pētījumiem paredzētus materiālus, jo tiem ir nepieciešama noteikta uzglabāšanas temperatūra.
 - Ja ledusskapis netiks ilgstoši izmantots, tas jāatvieno no barošanas avota. Spēka kabeļa bojājuma gadījumā var sākties ugunsgrēks.

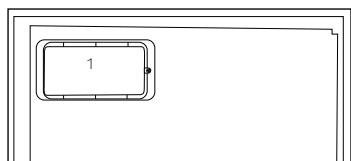
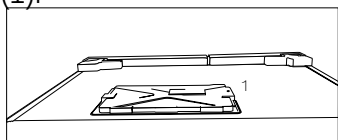
- Ja regulējamās kājiņas nav pareizi nostiprinātas uz grīdas, tad ledusskapis var kustēties. Regulējamo kājiņu pareiza nostiprināšana uz grīdas var novērst ledusskapja kustēšanos.

- Nesot ledusskapi, neturiet to aiz durvju roktura. Pretējā gadījumā tas var nolūzt.

- Novietojot iekārtu līdzās citam ledusskapim vai saldētavai, starp šīm iekārtām ir jābūt vismaz 8 cm attālumam. Pretējā gadījumā uz līdzās esošajām sienām var kondensēties mitrums.

- Nekad neizmantojiet ierīci, ja ir atvērts nodalījums ierīces augšpusē vai aiz mugurē, kurā atrodas elektroniskās drukātās shēmas plates (elektronisko drukāto shēmu plašu pārsegs)

(1).



Piezīme par iekārtām ar ūdens automātu;

- Maksimālajam aukstā ūdens ieplūdes caurules spiedienam jābūt 90 psi (620 kPa). Ja ūdens spiediens pārsniedz 80 psi (550 kPa), tīkla sistēmā izmantojiet spiedienu ierobežojošu vārstu. Ja nezināt, kā pārbaudīt ūdens spiedienu, lūdziet profesionāla santehniķa palīdzību.

- Ja sistēmā iespējams hidrauliskais trieciens, vienmēr tajā izmantojiet hidrauliskā trieciena novēršanas aprīkojumu. Ja neesat pārliecināts, vai jūsu sistēmā nav hidrauliskā trieciena, konsultējieties ar profesionāliem santehniķiem.

- Neuzstādiet uz karstā ūdens ieplūdes caurules. Veiciet piesardzības pasākumus, lai novērstu šļūteni sasalšanas risku. Ūdens temperatūras intervālam darbības laikā jābūt vismaz 33 °F (0,6 °C) un ne vairāk kā 100 °F (38 °C).

- Izmantojiet tikai dzeramo ūdeni.

Bērnu drošība

- Ja durvis ir slēdzamas, tad atslēga jāglabā bērniem nepieejamā vietā.

- Jāuzrauga, lai bērni nespēlētu ar iekārtu.

Atbilstība EEIA direktīvai un atkritumu pārstrāde



Šī iekārta atbilst ES EEIA direktīvas (2012/19/ES) prasībām.

Šis izstrādājums ir marķēts ar elektrisko un elektronisko iekārtu atkritumu (EEAI) klasifikācijas simbolu.

Šī iekārta ir izgatavota no augstas kvalitātes detaļām un materiāliem, kas ir atkārtoti izmantojami un piemēroti otrreizējai pārstrādei. Pēc iekārtas kalpošanas laika beigām neizmetiet to kopā ar parastajiem mājtsaimniecības un citiem atkritumiem. Nogādājiet to elektrisko un elektronisko iekārtu savākšanas centrā, lai varētu veikt otrreizējo pārstrādi. Plašāku informāciju par savākšanas centriem varat uzzināt vietējā pašvaldībā.

Atbilstība direktīvai par bīstamo vielu ierobežošanu elektroniskajā un elektriskajā aprīkojumā

Jūsu nopirktā iekārta atbilst ES direktīvas par bīstamo vielu ierobežošanu elektroniskajā un elektriskajā aprīkojumā (2011/65/ES) prasībām. Tās sastāvā nav šajā direktīvā norādīto kaitīgo un aizliegtu materiālu.

Informācija par iepakojumu

Iekārtas iepakojums ir izgatavots no otrreizēji pārstrādājamiem materiāliem atbilstoši mūsu valsts vides aizsardzības noteikumiem.

Neizmetiet iepakojuma materiālus kopā ar mājtsaimniecības vai citiem atkritumiem. Nogādājiet tos vietējo pašvaldību norādītajās iepakojuma materiālu savākšanas vietās.

Brīdinājums par HC

Ja iekārtas dzesēšanas sistēma satur R600a

Šī gāze ir viegli uzliesmojoša. Tādēļ pievērsiet uzmanību tam, lai izmantošanas un transportēšanas laikā dzesēšanas sistēma un cauruļvadi netiktu bojāti. Bojājuma gadījumā neturiet iekārtu potenciālu uguns avotu tuvumā, jo tas var izraisīt iekārtas aizdegšanos, un vēdiniet telpu, kurā novietota iekārta.

Neņemiet vērā šo brīdinājumu, ja iekārtai ir dzesēšanas sistēma, kas satur R134a.

Iekārtā izmantotais gāzes tips ir norādīts uz specifiskācijas plāksnītes ledusskapja iekšpuses kreisajā pusē.

Nekādā gadījumā neatbrīvojieties no iekārtas, to sadedzinot.

Kas darāms, lai ietaupītu enerģiju

- Neturiet ledusskapja durvis ilgstoši atvērtas.
- Neievietojiet ledusskapī karstu pārtiku vai dzērienus.
- Nepārpildiet ledusskapi, lai netiktu traucēta gaisa cirkulācija tā iekšpusē.
- Nenovietojiet ledusskapi tiešā saules gaismā vai karstumā izstarojošu iekārtu, piemēram, krāsns, trauku mazgājamās iekārtas vai radiatoru, tuvumā.

- Pievērsiet uzmanību tam, lai pārtika atrastos aizvērtos traukos.
- Piezīme par iekārtām ar saldēšanas kameru. Saldēšanas kamerā varat saglabāt maksimālo ēdiena daudzumu, izņemot no tās plauktu vai atvilktni. Norādītā saldēšanas kameras enerģijas patēriņa vērtība ir noteikta iekārtai ar izņemtu plauktu vai atvilktni un maksimālo noslodzi. Nepastāv nekāds risks, izmantojot plauktu vai atvilktni atbilstoši sasaldējamās pārtikas formai un izmēram.
- Sasaldētās pārtikas atļaidināšana ledusskapja nodalījumā gan ietaupīs elektroenerģiju, gan saglabās pārtikas kvalitāti.

3 Uzstādīšana

⚠Lūdzu ņemiet vērā, ka ražotājs neuzņemas atbildību, ja instrukciju rokasgrāmatā iekļautā informācija netiek ievērota.

Lietas, kas jāapsver, atkārtoti pārvietojot ledusskapi

1. Jūsu ledusskapim pirms jebkuras transportēšanas ir jābūt iztukšotam un iztīrītam.
2. Ledusskapja plauktiem, piederumiem, atvilktnēm utt. pirms atkārtotas iepakšanas ir jābūt cieši nostiprinātiem ar līmlenti, lai tos nodrošinātu pret jebkādiem triecieniem.
3. Iepakojumam ir jābūt cieši nostiprinātam ar virvēm un līmlentēm, un jāievēro uz iepakojuma norādītie transportēšanas noteikumi.

Lūdzu, neaizmirstiet...

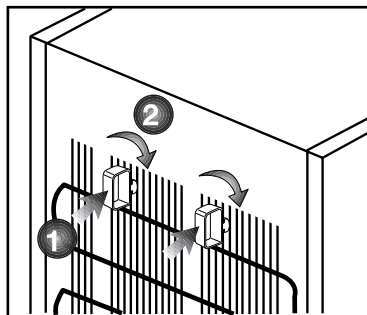
Ikviens pārstrādātais materiāls ir svarīgs avots dabai un mūsu nacionālajiem resursiem.

Ja jūs vēlaties nodot iepakojuma materiālu otrreizējai pārstrādei, papildu informāciju varat iegūt no vides aizsardzības organizācijām vai vietējās varas pārstāvjiem.

Pirms ledusskapja izmantošanas

Pirms ledusskapja ieslēgšanas pārbaudiet šādas lietas.

1. Vai ledusskapja iekšpuse ir tīra un gaiss tā aizmugurē var brīvi cirkulēt?



2. Varat uzlikt 2 plastmasas ķīļus, kā parādīts attēlā. Plastmasas ķīļi nodrošinās nepieciešamo attālumu starp ledusskapi un sienu, lai notiktu gaisa cirkulācija. (Attēls dots tikai piemēram, un tas precīzi neatbilst jūsu izstrādājuma izskatam.)
3. Iztīriet ledusskapja iekšpusi, kā ieteikts sadaļā "Apkope un tīrīšana".
4. Pievienojiet ledusskapja sienas kontaktligzdai. Kad ledusskapja durvis tiks atvērtas, tad iedegsies ledusskapja nodalījuma iekšējais apgaismojums.
5. Būs dzirdams troksnis, jo kompresors sāks darbību. Troksni var radīt arī šķidrums un gāzes, kas atrodas dzesēšanas sistēmā, pat tad, ja kompresors nedarbojas, un tas ir normāli.
6. Ledusskapja priekšējās malas var būt siltas. Tas ir normāli. Šīm vietām ir jābūt siltām, lai izvairītos no kondensācijas.

Pievienošana elektrotīklam

Pievienojiet iekārtu iezemētai kontaktligzdai, kas aizsargāta ar atbilstošas jaudas drošinātāju. Svarīgi!

- Savienojumam jāatbilst nacionālajiem noteikumiem.
- Pēc uzstādīšanas spēka kabeļa spraudkontakta jābūt viegli pieejamam.
- Norādītajam spriegumam jāatbilst jūsu elektrotīkla spriegumam.
- Savienošanai nedrīkst tikt izmantoti pagarinātāji vai sadalītāji.

⚠ Bojātu elektrisko kabeļi jānomaina kvalificētam elektriķim.

⚠ Iekārtu nedrīkst izmantot, kamēr tā nav salabota! Pastāv elektriskās strāvas trieciena risks!

Atbrīvošanās no iepakojuma

Iepakojuma materiāli var būt bīstami bērniem. Glabājiet iepakojuma materiālus bērniem nepieejamā vietā vai atbrīvojieties no tiem atbilstoši noteikumiem par atkritumu apglabāšanu un pārstrādi. Tos nedrīkst izmest kopā ar parastiem sadzīves atkritumiem.

Ledusskapja iepakojums ir izgatavots no otrreizēji pārstrādājamiem materiāliem.

Atbrīvošanās no vecā ledusskapja

Atbrīvojieties no vecās iekārtas tā, lai netiktu nodarīts kaitējums videi.

- Par atbrīvošanos no ledusskapja varat konsultēties ar pilnvarotu

izplatītāju vai vietējās pašvaldības atkritumu savākšanas centru.

Pirms atbrīvošanās no ledusskapja, nogrieziet spraudkontakta un, ja uz durvīm ir slēdzenes, padariet tās neizmantojamas, lai pasargātu bērnu no jebkādām briesmām.

Novietošana un uzstādīšana

⚠ Ja ledusskapja uzstādīšanas telpā durvis ir par šauru, lai ledusskapi pa tām ievietotu, sazinieties ar pilnvarotu pakalpojuma sniedzēju, lai izņemtu ledusskapja durvis un ievietotu ledusskapi pa durvīm sāniski.

1. Uzstādiet ledusskapi vietā, kurā to iespējams viegli izmantot.

2. Neturiet ledusskapi karstuma avotu tuvumā, mitrās vietās un tiešā saules gaismā.

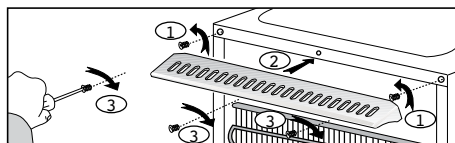
3. Lai nodrošinātu efektīvu darbību, apkārt ledusskapim ir jābūt pietiekamai ventilācijai.

Ja ledusskapis ir jāievieto sienas nišā, jābūt vismaz 5 cm attālumam no griestiem un 5 cm attālumam no sienas.

Ja grīda ir klāta ar paklāju, iekārtai jāatrodas vismaz 2,5 cm virs grīdas.

4. Novietojiet ledusskapi uz līdzenas grīdas virsmas, lai izvairītos no vibrācijas.

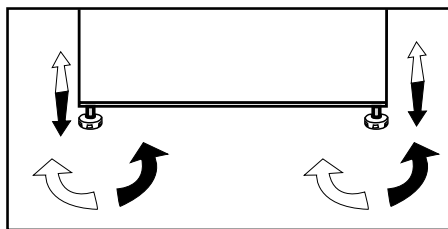
Ja iekārtai ir gaisa sadales režģis, lūdzu, skatieties, kā tas uzstādāms.



Kājiņu noregulēšana

Ja ledusskapis nav stabils;

Varat ledusskapi novietot stabili, pagriežot priekšējās kājiņas, kā parādīts attēlā. Stūris, kurā atrodas kāja, tiek nolaists uz leju, ja tiek pagriezts melnās bultiņas virzienā, un pacelts uz augšu, ja tiek pagriezts pretējā virzienā. Otrās personas palīdzība, viegli paceļot saldētāju, atvieglinās šo procesu.



Apgaismojuma lampas nomaiņa

Lai nomainītu ledusskapja apgaismojuma lampu, lūdzu, sazinieties ar pilnvarotu pakalpojuma sniedzēju.

Prietaise naudojamās lempu tēras nēra skirtos kambariju apšvīetīmī namū šālygomī. Šīos lempu tēras yra skirtos pagēlbēti naudotojuī saugīai īr patogīai sudēti maīsto produktus ī šaldytuvā y šaldīklī.

Šīame prietaise naudojamos lempos turī atlaīkyti ekstremāliās šālygas, pavyzdžiui, žemesnē nei -20 °C temperatūrā.

Uzstādīšana (zem letes)

- Letes iekšējam augstumam ir jābūt 820 mm.

(!) Ja iekārta ir uzstādīta zem letes, tad virs letes nedrīkst novietot plīti un citus karstuma avotus.

- Barošanas avota sienas kontaktligzdas spraudnim jāatrodas tuvu iekārtas labajiem vai kreisajiem sāniem.

- Noņemiet iekārtas augšējo vāku. Šeit ir 4 izņemamas skrūves (2 aizmugurē un 2 zem priekšējās malas).

1. att.

- Nogrieziet attēlā redzamo daļu un pēc tam noņemiet to, izmantojot knaibles.

- Novietojiet iekārtu zem letes un regulējiet tās priekšējās kājiņas, līdz tās virsma pieskaras letei.

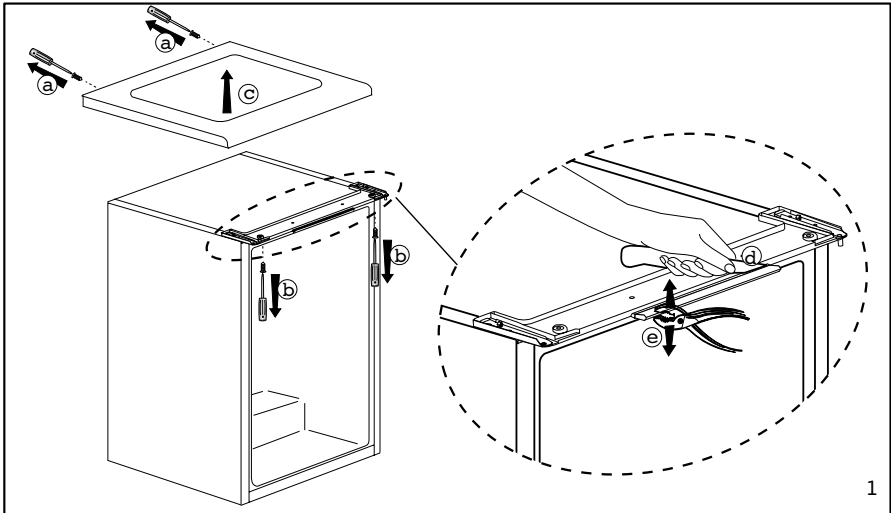
Lai varētu šo iekārtu izmantot zem letes, jābūt vismaz 595 mm attālumam starp sienu un atsauci, kas norādīta uz augšējās savienojuma plastmasas detaļas.

(2.-3. att.)

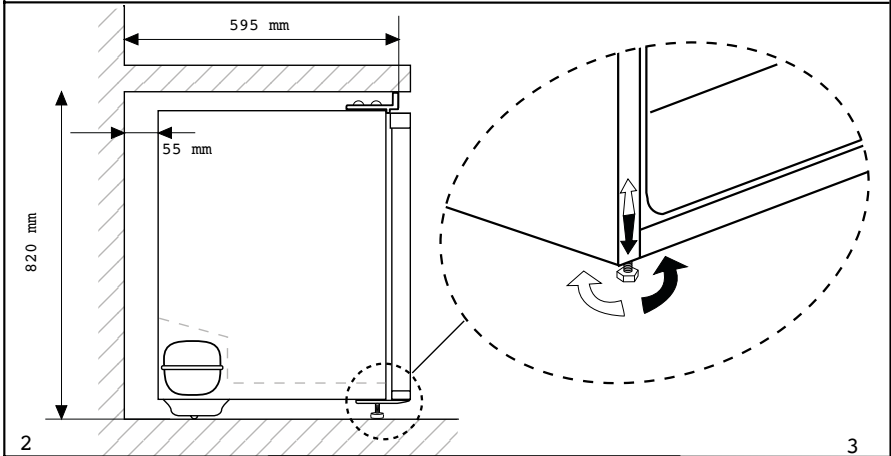
- Nostipriniet iekārtu zem letes, izmantojot 2 skrūves, kas noņemtas no augšējā vāka. (Letes konstrukcijai ir jābūt no plastmasas vai koka!)

4. att.

- Brīvi stāvošai iekārtai; "šī dzesēšanas iekārta nav paredzēta iebūvēšanai.
- Ledusskapis ir uzstādāms vismaz 30 cm attālumā no karstuma avotiem, piemēram, radiatoriem, sildītājiem, centrālāpkures un krāsnīm, un vismaz 5 cm attālumā no elektriskajām krāsnīm, un to nedrīkst novietot tiešā saules gaismā.
- Ledusskapja uzstādīšanas istabas temperatūrai ir jābūt vismaz 10° C. Ledusskapja darbināšana vēsākos apstākļos nav ieteicama saistībā ar tā efektivitāti.
- Lūdzu, pārliedzinieties, ka ledusskapja iekšpuse ir rūpīgi iztīrīta.
- Ja ir jāuzstāda divi blakus esoši ledusskapji, starp tiem jānodrošina vismaz 2 cm atstarpe.
- Kad ledusskapis tiek iedarbināts pirmo reizi, lūdzu, ievērojiet šīs instrukcijas pirmo sešu darbības stundu laikā.
- Durvis nevajadzētu atvērt pārāk bieži.
- Darbināšanu vajadzētu veikt bez ievietotas pārtikas.
- Neatvienojiet ledusskapi no strāvas avota. Elektroapgādes traucējumu gadījumā, lūdzu, skatiet brīdinājumus nodaļā "Ieteicamie problēmu risinājumi".
- Oriģinālo iepakojumu un putuplastu vajadzētu saglabāt transportēšanai vai pārvietošanai nākotnē.
- Dažiem modeļiem instrumentu panelis automātiski izslēdzas 5 minūšu laikā pēc durvju aizvēršanas. Tas no jauna aktivizēsies, atverot durvis vai nospiežot jebkuru pogu.
- Dēļ temperatūros pocyčiy atidarant / uždaranant veikiančio gaminio dureles, ant durelių / korpuso lentynų ir stiklo indelių gali susidaryti kondensatas, ir tai yra normalu.

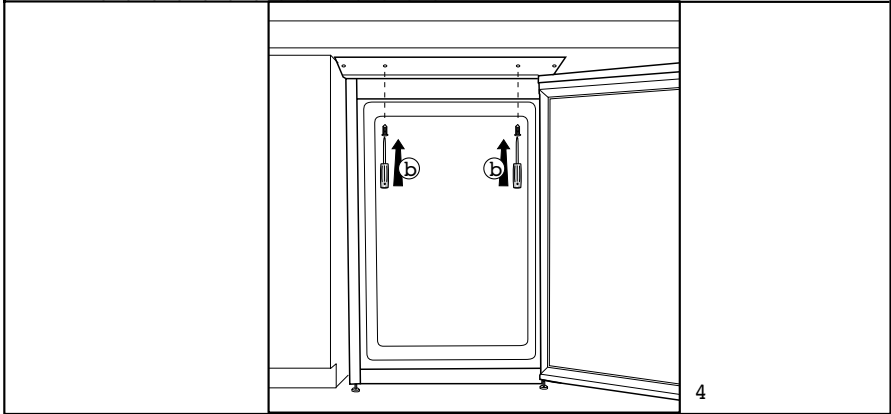


1



2

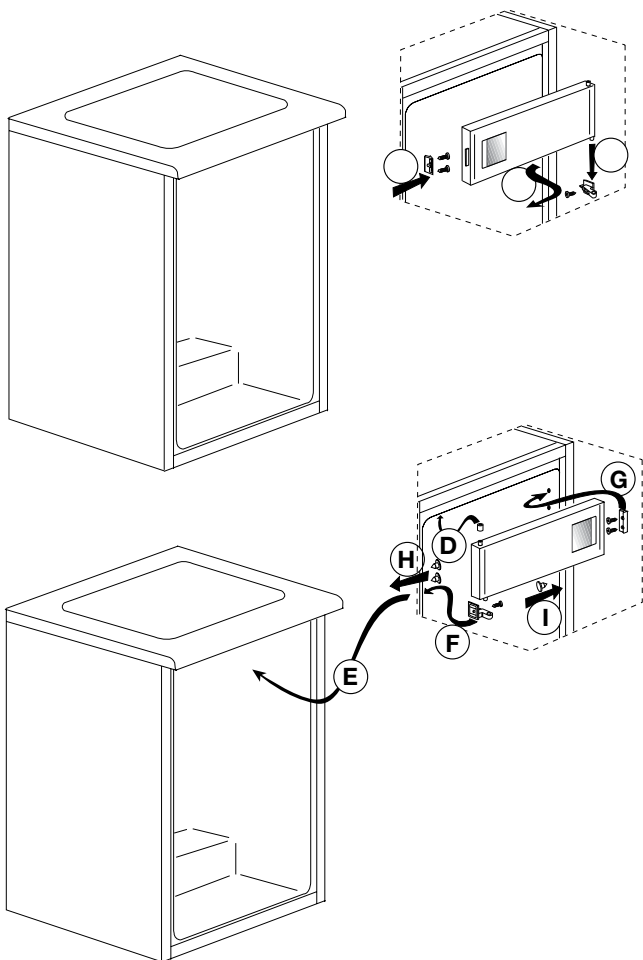
3

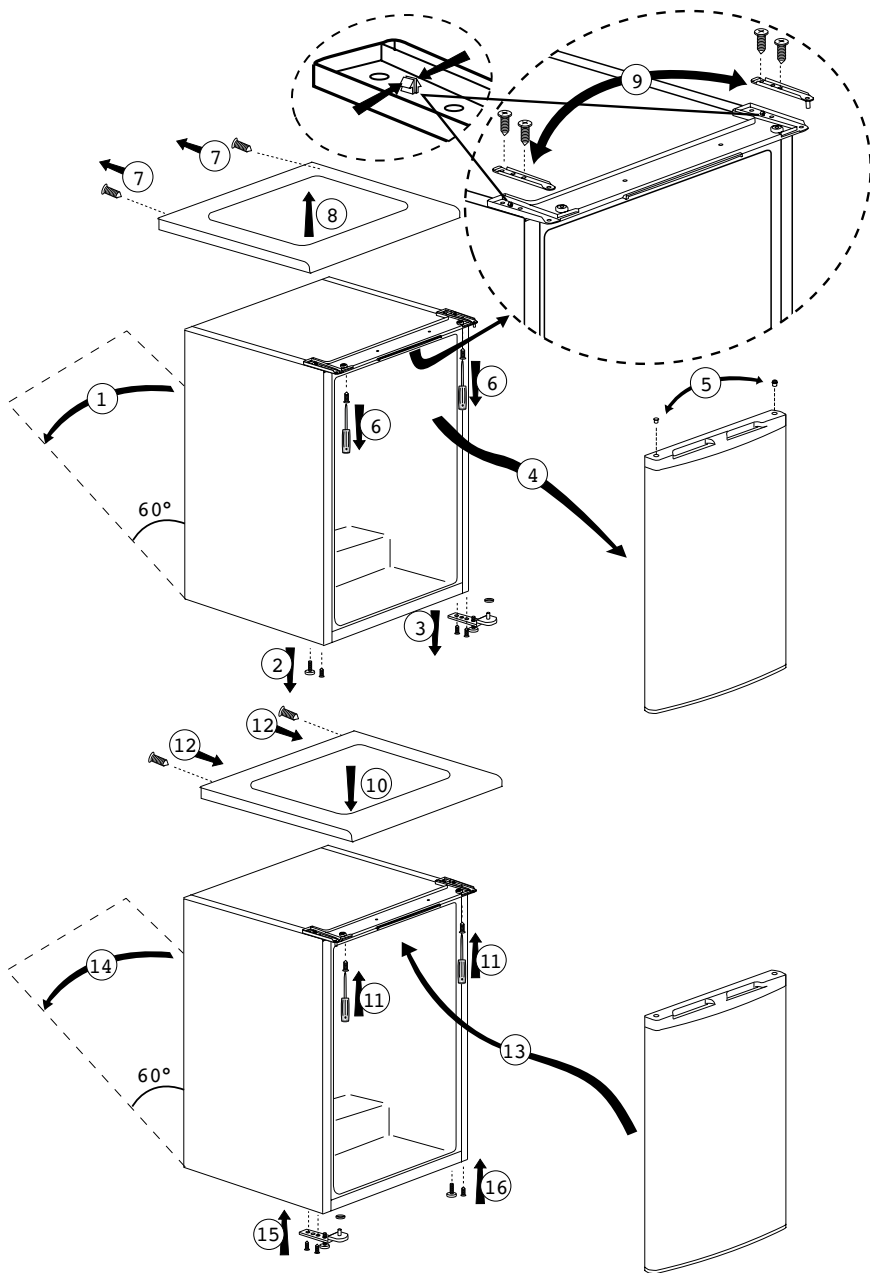


4

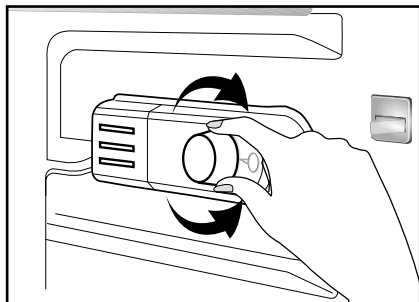
Durvju ievietošana otrādi

Rīkojieties ar cipariem norādītajā secībā

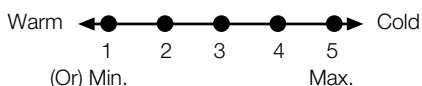




5 Ledusskapja izmantošana



Darba temperatūra tiek regulēta ar temperatūras kontroles palīdzību.



1 = Zemākais dzesēšanas iestatījums (Visaugstākā temperatūra)

5 = Augstākais dzesēšanas iestatījums (Viszemākā temperatūra)

(vai)

Min. = Zemākais dzesēšanas iestatījums

(Visaugstākā temperatūra)

Max. = Augstākais dzesēšanas iestatījums

(Viszemākā temperatūra)

Vidējai temperatūrai ledusskapī vajadzētu būt aptuveni +5°C.

Lūdzu, izvēlieties iestatījumu atbilstoši vēlamajai temperatūrai.

Varat pārtraukt savas iekārtas darbību, novietojot termostata pārslēgu "0" pozīcijā.

Lūdzu, atcerieties, ka atdzesēšanas zonā temperatūra atšķirsies.

Visaugstākā vieta ir tieši virs dārzeņu nodalījuma.


Iekšējā temperatūra ir atkarīga arī no ārējās temperatūras, durvju atvēršanas biežuma un ledusskapī turētās pārtikas daudzuma.

Biežas durvju virināšanas dēļ iekšējā temperatūra paaugstinās.

Tādēļ ieteicams aizvērt durvis pēc iespējas ātrāk pēc ledusskapja izmantošanas.

Sasaldēšana

Pārtikas sasaldēšana

Sasaldēšanas zona ir apzīmēta ar  šo simbolu.

Varat šo iekārtu izmantot svaigas pārtikas sasaldēšanai, kā arī iepriekš sasaldētas pārtikas uzglabāšanai.

Lūdzu, skatieties ieteikumus uz pārtikas iepakojuma.

• Uzmanību!

Nesasaldējiet gāzētus dzērienus, jo sasaluša šķidrums dēļ pudele var uzsprāgt.

Uzmanīgi rīkojieties ar sasaldētiem produktiem, teiksim, krāsainiem ledus gabaliņiem.

Nepārsniedziet iekārtas diennakts sasaldēšanas jaudu. Skatiet tehnisko pamatdatu plāksnīti.

Lai saglabātu pārtikas kvalitāti, sasaldēšanai jānotiek tik ātri, cik vien iespējams.

Tādejādi sasaldēšanas jauda netiks pārsniegta un iekšējā temperatūra nepaaugstināsies.

• Uzmanību!

Jau iepriekš dziļi sasaldēto pārtiku vienmēr turiet atsevišķi no tikko ievietotās pārtikas.

Karstas pārtikas dziļās sasaldēšanas laikā dzesēšanas kompresors darbosies, līdz pārtika būs pilnīgi sasalusi. Tas var īslaicīgi izraisīt pārāk lielu leduskapja nodalījuma dzesēšanu.

Neuztraucieties, ja uzreiz pēc saldētavas durvju aizvēršanas tās ir grūti atkal atvērt. Tā iemesls ir spiediena starpība, kas izlīdzināsies, un pēc pāris minūtēm būs atkal iespējams normāli atvērt durvis.

Uzreiz pēc durvju aizvēršanas dzirdēsiet vakuuma radītu skaņu. Tas ir visai normāli.

Ledus gabaliņu pagatavošana

Piepildiet ledus gabaliņu paplātes 3/4 daļas ar ūdeni un ielieciet to saldētavā.

Uzreiz pēc ūdens pārvēršanās ledū varat izņemt ledus gabaliņus.

Nekādā gadījumā ledus gabaliņu izņemšanai neizmantojiet asus priekšmetus, teiksim, nažus vai dakšiņas. Pastāv traumas risks!

Tā vietā ļaujiet ledus gabaliņiem mazliet atkust vai ielieciet paplātes apakšu uz īsu brīdi karstā ūdenī.

Sasaldētas pārtikas uzglabāšana

Sasaldēšanas zona ir apzīmēta ar ❄️❄️ šo simbolu.

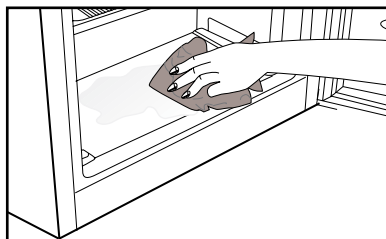
Sasaldētās pārtikas nodalījums ir piemērots iepriekš sasaldētas pārtikas uzglabāšanai. Vienmēr jāievēro ieteikumus par pārtikas uzglabāšanu, kas norādīti uz iepakojuma.

Iekārtas atļaidināšana

Pārāk lielas ledus kārtas izveidošanās ietekmēs iekārtas saldētspēju.

Tādēļ ieteicams atļaidināt iekārtu vismaz divas reizes gadā vai arī tad, kad ledus kārtā ir biezāka par 7 mm.

Atļaidiniet iekārtu tad, kad tajā nav daudz pārtikas.



Izņemiet laukā dziļi sasaldēto pārtiku. Ietīniet dziļi sasaldēto pārtiku vairākās papīra kārtās vai segā un turiet vēsā vietā.

Lai sāktu atlaidināšanu, atvienojiet iekārtu vai izslēdziet slēgiekārtu.

Izņemiet no iekārtas visus piederumus (teiksim, plauktus, atviktņes utt.), un izmantojiet piemērotu tvertni izkusušā ledus ūdens savākšanai.

a nepieciešams, izkusušā ledus ūdens savākšanai saldēšanas kamerā un saldētās pārtikas nodalījumā

 izmantojiet mīkstu drāniņu 

Atlaidināšanas laikā turiet durvis atvērtas.

Lai paātrinātu atlaidināšanu, ievietojiet iekārtā traukus ar siltu ūdeni.

Nekādā gadījumā neizmantojiet elektroierīces, atlaidināšanai paredzētus aerosolus vai smailus vai asus priekšmetus, teiksim, nažus vai dakšiņas, ledus noņemšanai.

Pēc atlaidināšanas pabeigšanas iztīriet iekšpusi.

Atvienojiet iekārtu no barošanas avota. Ievietojiet atvilktnēs sasaldēto pārtiku un iebīdiet atvilktnes saldēšanas kamerā.

Atdzesēšana

Pārtikas uzglabāšana

Ledusskapja nodalījums paredzēts svaigas pārtikas un dzērienu īslaicīgai uzglabāšanai.

Uzglabājiet piena produktus tiem paredzētajā ledusskapja nodalījumā.

Pudeles var tikt ievietotas pudeļu turētājā vai pudeļu plauktā durvīs.

Jēlu gaļu vislabāk ievietot polietilēna maisiņā un turēt ledusskapja pašā apakšā.

Karstai pārtikai un bezalkoholiskajiem dzērieniem ļaujiet atdzist līdz istabas temperatūrai, un tikai pēc tam tos ievietojiet ledusskapī.

• Uzmanību!

Uzglabājiet koncentrētus alkoholiskos dzērienus tikai stāvus un cieši aizvērtus.

• Uzmanību!

Neglabājiet šajā iekārtā sprādzienbīstamas vielas vai tvertnes ar viegli uzliesmojošiem propelentiem (konservētu putukrējumu, krāsas aerosolus utt.).

Pastāv sprādziena risks.

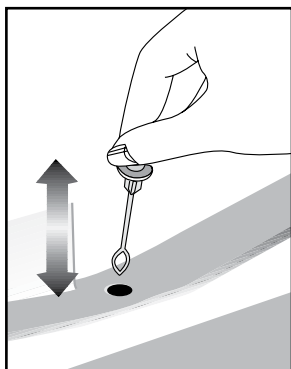
Iekārtas atlaidināšana

Ledusskapja nodalījuma atlaidināšana notiek automātiski. Izkusušā ledus ūdens caur ūdens nolīšanas kanālu ieplūst savākšanas tvertnē iekārtas aizmugurē.

Iztvaikotāja darbības rezultātā atlaidināšanas laikā uz ledusskapja aizmugurējās sienas izveidojas ūdens pilieni.

Ja šie visi pilieni nenotek, tad pēc atlaidināšanas pabeigšanas tie var atkal piesalt. Notīriet tos ar mīkstu siltā ūdenī samitrinātu drāniņu. Neizmantojiet cietus vai asus priekšmetus.

Laiku pa laikam pārbaudiet izkusušā ūdens plūsmu. Tā reizēm var tikt bloķēta. To tīriet ar cauruļu tīrītāju vai līdzīgu rīku.



6 Apkope un tīrīšana

- △ Nekad tīrīšanas nolūkiem neizmantojiet gāzoliņu, benzīnu vai līdzīgas vielas.
- △ Mēs iesakām iekārtu pirms tīrīšanas atvienot no strāvas avota.
- Nekad neizmantojiet asus abrazīvus instrumentus, ziepes, mājsaimniecības tīrīšanas līdzekļus, mazgāšanas līdzekļus un pulējamo vasku, lai veiktu tīrīšanu.
- Produktiem, kam nav neapsarmošanas funkcijas, uz ledusskapja nodalījumu aizmugurējās sienas var veidoties ūdens lāsītes un līdz pat pirksta biezuma sarmas kārtas. Netīriet to; nekādā gadījumā neuzklājiet uz tās eļļu vai līdzīgas vielas.
- Izmantojiet tikai nedaudz mitru mikrošķiedras drāniņu, lai notīrītu produkta ārējo virsmu. Sūkļi un citu veidu tīrīšanas drānas var saskrāpēt šo virsmu.
- Izmantojiet remdenu ūdeni, lai iztīrītu ledusskapja korpusu, un noslaukiet to sausu.
- Izmantojiet mīkstu audumu, kas samitrināts šķīdumā, kas sastāv no vienas tējkarotes sodas un 0,57 l ūdens, lai iztīrītu iekšpusi, un tad noslaukiet to sausu.
- Pievērsiet uzmanību tam, lai ūdens neiekļūtu lampas ietvarā un citās elektriskās iekārtās.
- Ja ledusskapis netiek izmantots ilgāku laiku, atvienojiet spēka kabeli, izņemiet visu pārtiku, iztīriet to un atstājiet durvis pusvīrus.

- Regulāri pārbaudiet durvju blīvējumu, lai pārliecinātos, ka tas ir tīrs un tajā nav sakrājušās pārtikas daļiņas.
- Lai izņemtu durvju plauktus, izņemiet visu saturu un tad paceliet plauktus no apakšpuses uz augšu.
- Iekārtas ārējo virsmu un hromēto daļu tīrīšanai nekad neizmantojiet tīrīšanas līdzekļus vai ūdeni, kura sastāvā ir hlors. Hlors rada šādu metāla virsmu koroziju.
- Nenaudokite aštrus, braižančigus ierīkus, muilo, buitinius valīkļus, plovīkļus, žibalo, degaļus alyvos, lako ir pan., kad nesideformuotus ir nenusilūptus dažus sluksnis no plastikiniu daliu. Nuvalykite su drungnu vandeniu ir minkšta šluoste ir sausai nušluostykite.

Plastmasas virsmu aizsargāšana

- Nelieciet uz ledusskapja šķīdras eļļas vai eļļā gatavotus ēdienus nenošlēgtos traukos, jo tie bojā ledusskapja plastmasas virsmas. Ja uz plastmasas virsmām izlīst vai izsmērējas eļļa, uzreiz notīriet un ar siltu ūdeni noskalojiet attiecīgo vietu.

7 Ieteicamie problēmu risinājumi

Lūdzu, pārskatiet šo sarakstu pirms sazināšanās ar apkopes centru. Tas var ietaupīt jūsu laiku un naudu. Šajā sarakstā ietvertas bieži sastopamas problēmas, kas nav saistītas ar defektīvu ražojumu vai defektīva materiāla izmantošanu. Jūsu izstrādājumam var nebūt visas šeit aprakstītās funkcijas.

Ledusskapis nedarbojas.
<ul style="list-style-type: none">• Vai ledusskapis ir pareizi pievienots strāvas avotam? Ievietojiet spraudkontakta sienas kontaktligzdā.• Vai nav izdedzis drošinātājs kontaktligzdai, kurai pievienots ledusskapis, vai arī izsists galvenais drošinātājs? Pārbaudiet drošinātāju.
Kondensācija uz ledusskapja nodalījuma sānu sienas. (MULTI ZONE, COOL CONTROL un FLEXI ZONE)
<ul style="list-style-type: none">• Ļoti zemā ārējā temperatūra. Bieža durvju atvēršana un aizvēršana. Ļoti liels mitrums apkārtējā telpā. Tiek atvērtos traukos uzglabāta pārtika, kas satur šķidrumu. Durvis atstātas pusvīrus.• Termostata iestatīšana zemākai temperatūrai.• Samaziniet laiku, kad durvis tiek turētas atvērtas, vai retāk izmantojiet ledusskapi.• Pārtikas, kas tiek glabāta atvērtos traukos, pārklāšana ar piemērotu materiālu.• Noslaukiet kondensātu ar sausu audumu un pārbaudiet, vai tas saglabājas.
Kompresors nedarbojas
<ul style="list-style-type: none">• Kompresora termiskā aizsardzība atslēgsies pēkšņu elektroapgādes traucējumu gadījumā vai arī pieslēgšanas-atslēgšanas laikā, jo dzesēšanas šķidrums ledusskapja dzesēšanas sistēmā nebūs sabalansēts.• Ledusskapis sāks darboties pēc aptuveni 6 minūtēm. Lūdzu, sazinieties ar apkopes centru, ja ledusskapis nesāk darboties pēc šī laika perioda paiešanas.• Ledusskapis izpilda atkausēšanas ciklu. Tas ir normāli ledusskapim, kas veic pilnīgi automātisku atlaidināšanu. Atlaidināšanas cikls periodiski atkārtojas.• Ledusskapis nav pievienots kontaktligzdai. Pārbaudiet, vai spraudkontakts ir cieši iesprausts sienas kontaktligzdā.• Vai temperatūras noregulēšana ir veikta pareizi? Noticis strāvas padeves pārrāvums. Saņemieties ar savu elektroenerģijas piegādātāju.

Ledusskapis darbojas bieži vai ilgu laiku.
<ul style="list-style-type: none"> • Iespējams jaunais ledusskapis ir platāks par iepriekšējo. Tas ir visai normāli. Lieli ledusskapji darbojas ilgāku laika periodu. • Apkārtējā istabas temperatūra var būt augsta. Tas ir visai normāli. • Iespējams ledusskapis ir nesen ieslēgts vai tajā nesen ievietota pārtika. Ledusskapja pilnīga atdzesēšana var notikt pāris stundas ilgāk. • Nesen ledusskapī ievietots liels daudzums karsta ēdiena. Karsts ēdiens izraisa ilgāku ledusskapja darbību, līdz tiek sasniegta droša uzglabāšanas temperatūra. • Iespējams durvis tiek bieži atvērtas vai ilgstoši atstātas pusvīrus. Siltais gaiss, kas iekļūst ledusskapī, liek tam darboties ilgāku laiku. Atveriet durvis retāk. • Iespējams ledusskapja nodalījuma durvis atstātas pusvīrus. Pārbaudiet, vai durvis ir cieši aizvērtas. • Ledusskapis ir noregulēts ļoti zemai temperatūrai. Iestatiet augstāku ledusskapja temperatūru un gaidiet, līdz šī temperatūra tiek sasniegta. • Ledusskapja vai saldēšanas kameras durvju blīvējums var būt netīrs, nodilis, ieplīsis vai nepareizi novietots. Notīriet vai nomainiet blīvējumu. Bojāts/ieplīsis blīvējums liek ledusskapim darboties ilgāku laiku, lai saglabātu esošo temperatūru.
Saldēšanas kameras temperatūra ir ļoti zema, bet ledusskapja temperatūra ir apmierinoša.
<ul style="list-style-type: none"> • Saldētāja temperatūra ir noregulēta ļoti zemai temperatūrai. Iestatiet augstāku saldētāja temperatūru un pārbaudiet.
Ledusskapja temperatūra ir ļoti zema, bet saldēšanas kameras temperatūra ir apmierinoša.
<ul style="list-style-type: none"> • Ledusskapja temperatūra ir noregulēta ļoti zemai temperatūrai. Iestatiet augstāku ledusskapja temperatūru un pārbaudiet.
Pārtika, kas atrodas ledusskapja nodalījuma atvilktnēs, sasalst.
<ul style="list-style-type: none"> • Ledusskapja temperatūra ir noregulēta ļoti zemai temperatūrai. Iestatiet augstāku ledusskapja temperatūru un pārbaudiet.

Ledusskapja vai saldēšanas kameras temperatūra ir ļoti augsta.
<ul style="list-style-type: none"> • Noregulēta ļoti augsta ledusskapja temperatūra. Ledusskapja temperatūra ietekmē saldēšanas kameras temperatūru. Mainiet ledusskapja vai saldētāja temperatūru, līdz saldētāja vai ledusskapja temperatūra sasniedz pietiekošu līmeni. • Durvis atstātas pusvīrus. Kārtīgi aizveriet durvis. • Nesen ledusskapī ievietots liels daudzums karsta ēdiena. Gaidiet, līdz ledusskapis vai saldētājs sasniedz vēlamo temperatūru. • Ledusskapis var būt nesen ieslēgts. Ledusskapja pilnīga atdzesēšana prasa laiku tā izmēra dēļ.
No ledusskapja atskan skaņas, kas līdzīgas mehāniskā pulksteņa tikšķēšanai.
<ul style="list-style-type: none"> • Šis troksnis nāk no ledusskapja elektromagnētiskā vārsta. Elektromagnētiskais vārsts nodrošina dzesēšanas šķidrumsa plūšanu cauri nodalījumam un var tikt noregulēts atbilstoši dzesēšanas vai saldēšanas temperatūrai un dzesēšanas funkciju veikšanai. Tas ir normāli un nav defekts.
Darbības troksnis palielinās, kad ledusskapis darbojas.
<ul style="list-style-type: none"> • Ledusskapja darbības veiktspējas raksturlielumi var mainīties atkarībā no ārējās temperatūras izmaiņām. Tas ir normāli un nav defekts.
Vibrācijas vai trokšņi.
<ul style="list-style-type: none"> • Grīda nav līdzena vai tā ir ļodzīga. Ledusskapis līgojas, ja tas tiek lēni pakustināts. Pārļiecinieties, ka grīda atrodas vienā līmenī, tā ir izturīga un spēj noturēt ledusskapja svaru. • Iespējams troksni rada uz ledusskapja noliktās lietas. Tādas lietas jānoņem no ledusskapja virsmas.
Atskan trokšņi, kas atgādina šķidrumsa izlīšanu vai izšļākšanos.
<ul style="list-style-type: none"> • Atbilstoši ledusskapja darbības principiem tajā plūst šķidrums un gāze. Tas ir normāli un nav defekts.
Atskan troksnis, kas atgādina vēja pūšanu.
<ul style="list-style-type: none"> • Tiek izmantoti gaisa aktivizētāji (ventilatori), lai ledusskapis tiktu efektīvāk atdzesēts. Tas ir normāli un nav defekts.
Kondensācija uz ledusskapja iekšējām sienām.
<ul style="list-style-type: none"> • Karsti un mitri laika apstākļi palielina ledus un kondensāta veidošanos. Tas ir normāli un nav defekts. • Durvis tiek turētas pusvīrus. Pārļiecinieties, ka durvis ir cieši aizvērtas. • Iespējams durvis tikušas ļoti bieži atvērtas vai turētas atvērtas ilgu laiku. Atveriet durvis retāk.
Ledusskapja ārpusē vai starp durvīm rodas mitrums.
<ul style="list-style-type: none"> • Iespējams ir mitri laika apstākļi. Tas ir normāli mitros laika apstākļos. Kad mitrums būs mazāks, kondensāts izzudīs.

Slikta smaka ledusskapī.

- Ledusskapja iekšpuse ir jāiztīra. Iztīriet ledusskapja iekšpusi ar sūkli, siltu ūdeni vai gāzētu ūdeni.
- Iespējams smaku izraisa daži konteineri vai iepakojuma materiāli. Izmantojiet citus konteinerus vai citas markas iepakojuma materiālu.

Durvis neizveras.

- Pārtikas iepakojums var neļaut durvīm aizvērties. Pārvietojiet pakas, kas traucē durvīm.
- Iespējams ledusskapis neatrodas pilnīgi vertikāli uz grīdas un tas līgojas, kad tiek nedaudz pakustināts. Noregulējiet pacelšanas skrūves.
- Grīda nav vienā līmenī vai pietiekami izturīga. Pārliedzinieties, ka grīda atrodas vienā līmenī un spēj noturēt ledusskapi.

Augļu nodalījuma atvilktnes ir iesprūdušas.

- Iespējams pārtika pieskaras atvilktnes griestiem. Pārkārtojiet atvilktnē esošo pārtiku.

Molimo prvo pročitajte ovaj priručnik!

Poštovani kupci,

Nadamo se da će vam naš proizvod, proizveden u suvremenim postrojenjima i provjeren po strogim procedurama kontrole kvalitete, pružiti učinkovit rad.

Zbog toga vam preporučujemo da pažljivo pročitate cijeli priručnik proizvoda prije uporabe te da ga čuvate na pristupačnom mjestu zbog buduće uporabe.




Ovaj priručnik

- Će vam pomoći da koristite svoj uređak brzo i sigurno.
- Pročitajte priručnik prije instaliranja i rada s vašim proizvodom.
- Slijedite upute, posebno one vezane za sigurnost.
- Ćuvajte priručnik na lako dostupnom mjestu jer vam može zatrebati kasnije.
- Osim toga, također pročitajte druge dokumente dostavljene s vašim proizvodom.

Molimo imajte na umu da ovaj priručnik može vrijediti i za druge modele.

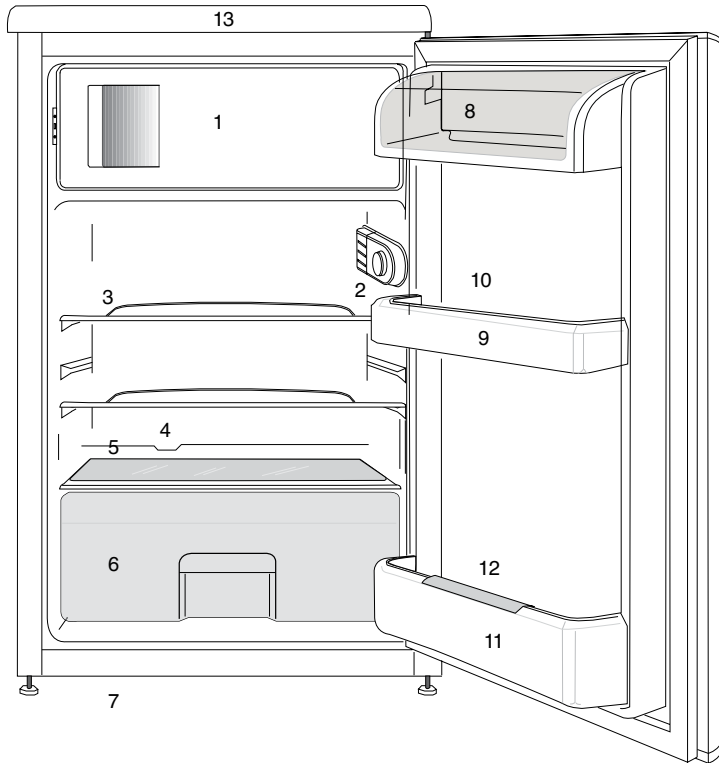
Simboli i njihovi opisi

Ovaj korisnički priručnik sadrži sljedeće simbole:

-  Važne informacije ili korisni savjeti za uporabu.
-  Upozorenja protiv opasnosti po život i imovinu.
-  Upozorenje protiv električnog napona.

1 Vaš hladnjak	4	4 Priprema	18
2 Važna sigurnosna upozorenja	5	5 Uporaba vašeg hladnjaka	19
Predviđena namjena	5	Tipka za postavljanje termostata	19
Za proizvode s raspršivačem za vodu;9		Hlađenje	20
Sigurnost djece	10	Zamrzavanje	20
Usklađenost s Direktivom o		Odmrzavanje	20
električnom i elektroničkom opremom		6 Održavanje i čišćenje	22
(WEEE) i zbrinjavanju otpada:	10	Zaštita plastičnih površina	22
Usklađenost s Direktivom o zabrani		7 Preporučena rješenja za	23
uporabe određenih opasnih tvari		probleme	
u električnoj i elektroničkoj opremi			
(RoHS):.....	11		
Podaci o pakiranju	11		
Upozorenje za HC	11		
Stvari koje se trebaju uraditi za uštedu			
energije.....	11		
3 Instalacija	12		
Stvari kojih se treba pridržavati			
kod ponovnog transporta vašeg			
hladnjaka.....	12		
Prije uključivanja vašeg hladnjaka.....	12		
Električno spajanje	12		
Odlaganje pakiranja.....	13		
Odlaganje stalnog hladnjaka	13		
Postavljanje i instalacija	13		
Prilagođavanje nogu	14		
Promjena lampice za osvjetljenje	14		
Mijenjanje smjera otvaranja vrata	15		

1 Vaš hladnjak



1. a.) Posuda pretinca za zamrzavanje i posuda za led (za modele *** ***)** b.) Posuda pretinca za zamrznutu hranu i posuda za led (za modele ******)
2. Unutarnje svjetlo i tipka termostata
3. Pomične police
4. Kanal za skupljanje otopljene vode - crijevo za odvodnju
5. Poklopac odjeljka za povrće
6. Odjeljak za povrće
7. Zračni roštij
8. Pretinac za mliječne proizvode
9. Police vrata
10. Polica za jaja
11. Police za boce
12. Držač boca

i Slike koje se nalaze u ovom priručniku su shematske i možda se ne ogovaraju u potpunosti vašem proizvodu. Ako dijelovi naslova nisu sadržani u proizvodu koji ste kupili, onda to vrijedi za ostale modele.

2 Važna sigurnosna upozorenja

Molimo pregledajte sljedeće informacije. Nepriдрžavanje ovih informacija može uzrokovati ozljede ili materijalnu štetu. U suprotnom će sva upozorenja i obveze za pouzdanost postati nevaljane.

Vijek uporabe kupljenog uređaja je 10 godina. Ovo je razdoblje potrebno za čuvanje rezervnih dijelova da bi uređaj radio kako je opisano.

Predviđena namjena

Ovaj je proizvod predviđen za uporabu

- u zatvorenom prostoru, npr. unutar kuće;
- u zatvorenim radnim okruženjima, kao što su trgovine i uredi;
- u zatvorenim prostorima za smještaj, kao što su kuće na farmama, hoteli, penzioni.

- Ovaj se proizvod ne smije se koristiti vani.

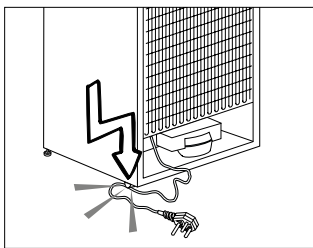
Opća sigurnost

- Kad budete željeli odložiti uređaj, preporučujemo da konzultirate ovlaštenu servis da biste saznali potrebne informacije i ovlaštena tijela.
- Konzultirajte se s ovlaštenim servisom za sva pitanja i probleme vezane za hladnjak. Nemojte intervenirati ili dopustiti da netko intervenira na hladnjaku bez prethodnog obavješćavanja ovlaštenih servisa.
- Za proizvode u odjeljku škrinje; Ne jedite kornete sladoleda i kockice leda odmah nakon vađenja kad ih izvadite iz odjeljka hladnjaka! (To može uzrokovati ozljede od hladnoće u vašim ustima.)

- Za proizvode s odjeljkom sa škrinjom; ne stavljajte tekućinu u bocama i konzervama u odjeljak škrinje. U suprotnom bi mogli puknuti.
- Ne dodirujte smrznutu hranu rukom; može vam se zalijepiti za ruku.
- Isključite svoj hladnjak prije čišćenja ili odmrzavanja.
- Para i raspršujuća sredstva za čišćenje se nikada ne smiju koristiti tijekom postupka čišćenja i odmrzavanja u vašem hladnjaku. U takvim slučajevima, para može doći u kontakt s električnim dijelovima i uzrokovati kratki spoj ili strujni udar.
- Nikada ne koristite dijelove vašeg hladnjaka, kao što su vrata, za pridržavanje ili za stajanje na njima.
- Ne koristite električne uređaje unutar hladnjaka.
- Ne oštećujte dijelove gdje cirkulira rashladno sredstvo pomoću alata za bušenje ili rezanje. Rashladno sredstvo koje može eksplodirati kad se plinski kanali isparivača, produžetka cijevi ili površinskih premaza probuše, može uzrokovati iritaciju kože i ozljede oka.
- Ne pokrivajte i ne blokirajte otvore za ventilaciju na vašem hladnjaku bilo kakvim materijalom.
- električne aparate smiju popravljati samo ovlaštene osobe. Popravke koje izvrše nestručne osobe mogu predstavljati rizik za korisnika.
- U slučaju bilo kakvog kvara tijekom održavanja ili popravke, otpojite hladnjak s napajanja ili isključivanjem odgovarajućeg osigurača ili isključivanjem vašeg uređaja iz struje.
- Kod isključivanja utikača, nemojte povlačiti za kabel.

- Pića s visokim udjelom alkohola potrebno je pravilno spremati, u uspravnom položaju i s čvrsto zatvorenim poklopcem.
- Nikada ne držite konzerve sa sprejevima koji sadrže zapaljive i eksplozivne tvari u hladnjaku.
- Ne koristite mehaničke uređaje ili druge načine za ubrzavanje procesa topljenja, osim onih koje preporuča proizvođač.
- Ovaj uređaj nije namijenjen uporabi od strane osoba s fizičkim osjetilnim ili mentalnim nedostacima ili osoba bez znanja ili iskustva (uključujući djecu), osim ako su pod nadzorom osobe koja će biti odgovorna za njihovu sigurnost ili koja će ih valjano uputiti o uporabi proizvoda.
- Ne uključujte oštećeni hladnjak. Konzultirajte se sa serviserom ako imate bilo kakvih nedoumica.
- Za električnu sigurnost vašeg hladnjaka se jamči samo ako je uzemljenje u vašoj kući u skladu sa standardima.
- Izlaganje proizvoda kiši, snijegu, suncu i vjetru je opasno u pogledu električne sigurnosti.
- Kad je oštećen kabel, javite se ovlaštenom servisu da izbjegnute opasnost.
- Nikada ne uključujte hladnjak u zidnu utičnicu tijekom instalacije. Inače može doći do opasnosti po život ili ozbiljne ozljede.
- Hladnjak je namijenjen samo držanju hrane. Ne smije se koristiti u bilo koje druge svrhe.
- Naljepnica s tehničkim specifikacijama se nalazi na lijevoj stijenci unutar hladnjaka.
- Nikada ne spajajte hladnjak na sustave za uštedu energije; oni mogu oštetiti hladnjak.
- Ako na hladnjaku postoji plavo svjetlo, nemojte gledati u plavo svjetlo optičkim alatima.

- Za hladnjake kojima se upravlja manualno, sačekajte bar 5 minuta da biste uključili hladnjak nakon nestanka el. energije.
- Ukoliko se uređaj da nekom drugom, korisnički priručnik se mora predati novom vlasniku.
- Pazite da ne oštetite kabel kod prijevoza hladnjaka. Presavijanje kabela može uzrokovati požar. Nikada ne stavljajte teške predmete na kabel napajanja. Ne dodirujte utikač mokrim rukama kad uključujete uređaj.



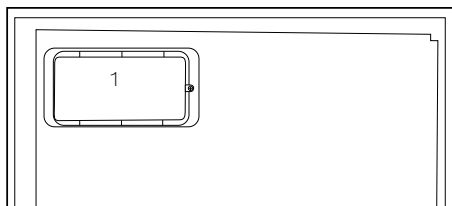
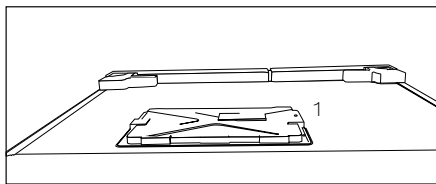
- Ne uključujte hladnjak ako je električna utičnica labava.
- Voda se ne smije špricati izravno na

- unutarnje ili vanjske dijelove proizvoda zbog sigurnosnih razloga.
- Nemojte špricati tvari koje sadrže zapaljive plinove kao što je propan blizu hladnjaka da biste izbjegli opasnost od požara i eksplozije.
- Nikada na hladnjak ne stavljajte posude s vodom, jer inače mogu uzrokovati električni udar ili požar.
- Nemojte prepuniti hladnjak s previše hrane. Ako se prepuni, hrana može pasti i ozlijediti vas kad otvorite vrata. Nikad ne stavljajte predmete na hladnjak, inače ti predmeti mogu pasti kad otvarate ili zatvarate vrata hladnjaka.
- Proizvodi za koje je potrebna precizna kontrola temperature, cjepiva, lijekovi osjetljivi na toplinu, znanstveni materijali, itd. se ne smiju držati u hladnjaku.

- Ako se neće koristiti dulje vrijeme, hladnjak se treba isključiti. Mogući problem na kabelu napajanja može uzrokovati požar.
- Vrh utikača se treba redovito čistiti, u suprotnom može uzrokovati požar.
- Vrh čepa se treba čistiti redovito suhom krpom; u suprotnom, može izazvati požar.
- Hladnjak se može pomaknuti ako podesive noge nisu pravilno pričvršćena na podu. Pravilno pričvršćivanje podesivih nogu na podu može spriječiti pomicanje hladnjaka.
- Kad nosite hladnjak, nemojte ga držati za ručku vrata. U suprotnom, može puknuti.
- Kad morate staviti svoj proizvod pored drugog hladnjaka ili škrinje, udaljenost između uređaja treba biti najmanje 8 cm. U

suprotnom, susjedne bočne stjenke se mogu navlažiti.

- Nikad ne koristite proizvod ako dio koji se nalazi na vrhu ili poleđini proizvoda ima elektroničke tiskane pločice unutar otvora (poklopac elektroničke tiskane pločice)(1).



Za proizvode s raspršivačem za vodu;

- Tlak na ulaznom otvoru hladne vode treba biti maksimalno 90 psi (6.2 bar). Ako tlak vode premaši (5,5 bar)

tada na cijevima za opskrbu vodom koristite tlačno-granični ventil. Ako ne znate kako provjeriti tlak vode tada potražite pomoć kod profesionalnog vodoinstalatera.

- Ako u instalacijama postoji opasnost od efekta vodenog udara tada u instalacijama uvijek koristite opremu za sprječavanje vodenog udara. Posavjetujte se s profesionalnim vodoinstalaterom ako niste sigurni postroji li efekt vodenog udara u instalacijama.
- Ne instalirajte na ulaznom otvoru za vruću vodu. Poduzmite mjere opreza zbog opasnosti od zamrzavanja cijevi. Radni interval temperature vode treba biti minimalno 33°F (0.6°C) i maksimalno 100°F (38°C).
- Koristite samo pitku vodu.

Sigurnost djece

- Ako vrata imaju bravu, ključ se treba držati podalje od dosega djece.
- Djeca moraju biti pod nadzorom da bi se spriječilo neovlašteno korištenje proizvoda.

Usklađenost s Direktivom o električnom i elektroničkom opremom (WEEE) i zbrinjavanju otpada:



Ovaj proizvod usklađen je EU Direktivom WEEE (2012/19/EU). Ovaj proizvod nosi lasifikacijsku oznaku za električni i elektronski otpad (WEEE).

Ovaj je proizvod proizveden s visokokvalitetnim dijelovima i materijalima koji se mogu ponovno upotrijebiti i prikladni su za reciklažu. Ne odlažite otpadne uređaje s normalnim otpadom iz kućanstva i drugim otpadom na kraju servisnog vijeka. Odnosite ga u sabirni centar za recikliranje električne i elektroničke opreme. Obratite se lokalnim vlastima da biste saznali više informacija o sabirnim centrima.

Usklađenost s Direktivom o zabrani uporabe određenih opasnih tvari u električnoj i elektroničkoj opremi (RoHS):

Proizvod koji ste kupili usklađen je s EU Direktivom RoHS (2011/65/EU). Ne sadrži štetne i zabranjene materijale navedene u Direktivi.

Podaci o pakiranju

Ambalažni materijali proizvoda proizvedeni su od reciklirajućih materijala sukladno našim nacionalnim propisima o zaštiti okoliša. Ambalažne materijale ne odlažite skupa s kućnim ili drugim otpadom. Odnosite ih u sabirne centre ambalažnog otpada koje su odredile lokalne vlasti.

Upozorenje za HC

Ako rashladni sustav vašeg uređaja sadrži R600a:

Ovaj plin je zapaljiv. Zato pazite da tijekom uporabe i transporta ne oštetite sustav za hlađenje i cijevi. U slučaju oštećenja, držite uređaj podalje od potencijalnog izvora plamena koji može dovesti do toga da uređaj zapali, te prozračujete sobu u kojoj se nalazi uređaj.

Ignorirajte ovo upozorenje ako rashladni sustav vašeg uređaja sadrži R134a.

Vrsta plina koja se koristi u proizvodu je navedena na tipskoj pločici koja je na lijevoj stijenci unutar hladnjaka.

Nikada kod odlaganja ne bacajte uređaj u vatru.

Stvari koje se trebaju uraditi za uštedu energije

- Ne ostavljajte vrata vašeg hladnjaka otvorena dulje vrijeme.
- Ne stavljajte toplu hranu ili pića u hladnjak.
- Nemojte prepuniti hladnjak tako da se ne sprječava cirkuliranja zraka u unutrašnjosti.
- Ne postavljajte vaš hladnjak izravno na sunčevu svjetlost ili blizu uređaja koji emitiraju toplinu kao što su pećnice, perilice suđa ili radijatori.
- Pazite da držite svoju hranu u zatvorenim posudama.
- Za uređaje s odjeljkom škrinje; možete spremiti maksimalnu količinu hrane u škrinju kad uklonite policu ili ladicu škrinje. Vrijednost potrošnje energije koja je navedena za vaš hladnjak je određena tako da je uklonjena policica ili ladicica škrinje i pod maksimalnim opterećenjem. Ne postoji opasnost od uporabe police ili ladice prema oblicima i veličinama hrane koja će biti zamrznuta.
- Topljenje smrznute hrane u odjeljku hladnjaka će osigurati uštedu energije u sačuvati kvalitetu hrane.

3 Instalacija

⚠ Molimo imajte na umu da se proizvođač neće smatrati odgovornim ukoliko se ne budete pridržavali informacija navedenih u korisničkom priručniku.

Stvari kojih se treba pridržavati kod ponovnog transporta vašeg hladnjaka

1. Vaš hladnjak mora biti ispražnjen i očišćen prije bilo kakvog transporta.
2. Police, dodaci, odjeljak za povrće itd. u vašem hladnjaku moraju biti čvrsto pričvršćeni ljepljivom trakom zbog treskanja prije ponovnog pakiranja.
3. Pakiranje se mora pričvrstiti ljepljivom trakom i mora se pridržavati pravila o transportu ispisanih na pakiranju.

Molimo ne zaboravite...

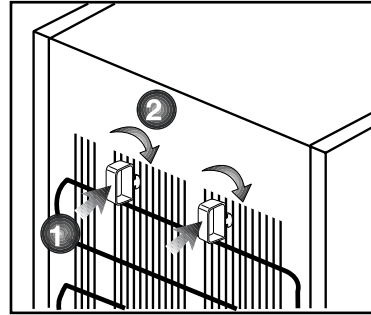
Svaki reciklirani materijal je nezamjenjiv izvor za prirodu i za naše nacionalne izvore.

Ako želite pridonijeti reciklaži materijala pakiranja, možete dobiti dodatne informacije od ureda za okoliš ili lokalnih vlasti.

Prije uključivanja vašeg hladnjaka

Prije početka uporabe vašeg hladnjaka provjerite sljedeće:

1. Je li unutrašnjost hladnjaka suha i može li zrak slobodno cirkulirati sa stražnje strane?
2. Prednji krajevi hladnjaka mogu biti topli na opip. To je normalno. Ova područja su napravljena da budu topla da bi se se izbjegla



kondenzacija. Možete postaviti 2 plastična klina kako je prikazano na slici. Plastični klinovi će dati osigurati potrebnu udaljenost između vašeg hladnjaka i zida da bi se omogućilo cirkuliranje zraka. (Slika s ilustracijom je samo primjer i ne odgovara u potpunosti vašem proizvodu.)

3. Čut ćete buku kad kompresor počne raditi. Tekućine i plinovi zabrtvljeni u rashladnom sustavu također mogu stvarati buku, čak i kad kompresor ne radi i to je potpuno normalno.
4. Prednji krajevi hladnjaka mogu biti topli na opip. To je u normalno. Ova područja su napravljena da budu topla da bi se se izbjegla kondenzacija.

Električno spajanje

Spojite svoj proizvod u uzemljenu utičnicu koja je zaštićena osiguračem odgovarajućeg kapaciteta.

Važno:

- Spoj mora biti u skladu s nacionalnim zakonskim odredbama.
- Kabel napajanja mora biti lako dostupan nakon postavljanja.

- Navedeni napon mora biti jednak naponu el. energije.
- Produžni kabeli i razvodnici se ne smiju koristiti za spajanje.

⚠ Oštećeni kabel napajanja mora zamijeniti kvalificirani električar.

⚠ Proizvod ne smije raditi prije popravke! Postoji opasnost od električnog udara!

Odlaganje pakiranja

Materijali pakiranja mogu biti opasni za djecu. Čuvajte materijale pakiranja dalje od dohvata djece ili ih odložite svrstavanjem u skladu s uputama o odlaganju. Nemojte ih odlagati s normalnim otpadom iz kućanstva.

Pakiranje vašeg hladnjaka je proizvedeno od recikliranih materijala.

Odlaganje stalnog hladnjaka

Odlaganje vašeg starog stroja bez štete za okoliš.

- O odlaganju vašeg hladnjaka se možete konzultirati s vašim ovlaštenim dobavljačem ili centrom za sakupljanje otpada u vašoj općini.

Prije odlaganja vašeg hladnjaka, odrežite električni utikač i, ukoliko postoje bilo kakve brave na vratima, onesposobite ih da biste zaštitili djecu od bilo kakve opasnosti.

Postavljanje i instalacija

⚠ Ako ulaz u prostoriju gdje će biti postavljen hladnjak nije dovoljno širok da hladnjak kroz njega prođe, pozovite ovlaštenu servisnu ekipu da skine vrata vašeg hladnjaka tako da kroz vrata prođe bočno.

1. Instalirajte vaš hladnjak na mjesto koje dopušta laku uporabu.
2. Držite vaš hladnjak podalje od izvora topline, vlažnih mjesta i direktne sunčeve svjetlosti.
3. Da bi se postigao učinkoviti rad, oko vašeg hladnjaka mora postojati odgovarajuća ventilacija. Ako se hladnjak treba postaviti u otvor u zidu, mora postojati udaljenost najmanje 5 cm od plafona i 5 cm od zida.
4. Ako je pod prekriven tepihom, vaš uređaj mora biti podignut od poda 2.5 cm. Stavite svoj hladnjak na ravnu površinu poda da biste spriječili udarce.

Instalacija (ispod pulta)

- Unutrnja visina pulta treba biti 820 mm.(!) Štednjaci ili drugi izvori topline se ne smiju stavljati iznad pulta gdje je uređaj ugrađen ispod pulta.
- Strujna utičnica se treba nalaziti blizu na desnoj ili lijevoj strani uređaja.
- Uklonite gornji poklopac uređaja. Tu su 4 vijka (2 komada na stražnjoj strani, 2 komada ispod prednjeg ruba) koje se treba ukloniti.

(Slika 1)

- Odrežite dio prikazan na slici i zatim ga uklonite pomoću kliješta.
- Stavite uređaj ispod pulta i prilagodite prednje nožice dok vrh ne bude dodirivao pult.
- Da biste koristili proizvod ispod pulta, udaljenost ispod pulta, udaljenost između zida i reference označene na gornjem plastičnom sastavu mora biti najmanje 595 mm.

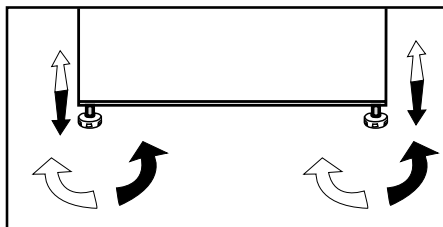
Slika. 2-3

- Učvrstite uređaj ispod pulta pomoću 2 vijka koja su skinuta s gornjeg poklopcu. (Korišteni materijal mora biti zasnovan na plastici ili drvu).

(Slika 4)

Prilagođavanje nogu

Ako vaš hladnjak nije u ravnoteži; Možete postaviti hladnjak u ravnotežu okretanjem prednjih nožica kako je prikazano na slici. kut gdje se nalaze noge je spušten kad okrenete u smjeru crne strelice a diže se kad okrenete u suprotnom smjeru. Ovaj postupak će biti lakši ako nekoga zamolite da malo podigne hladnjak.



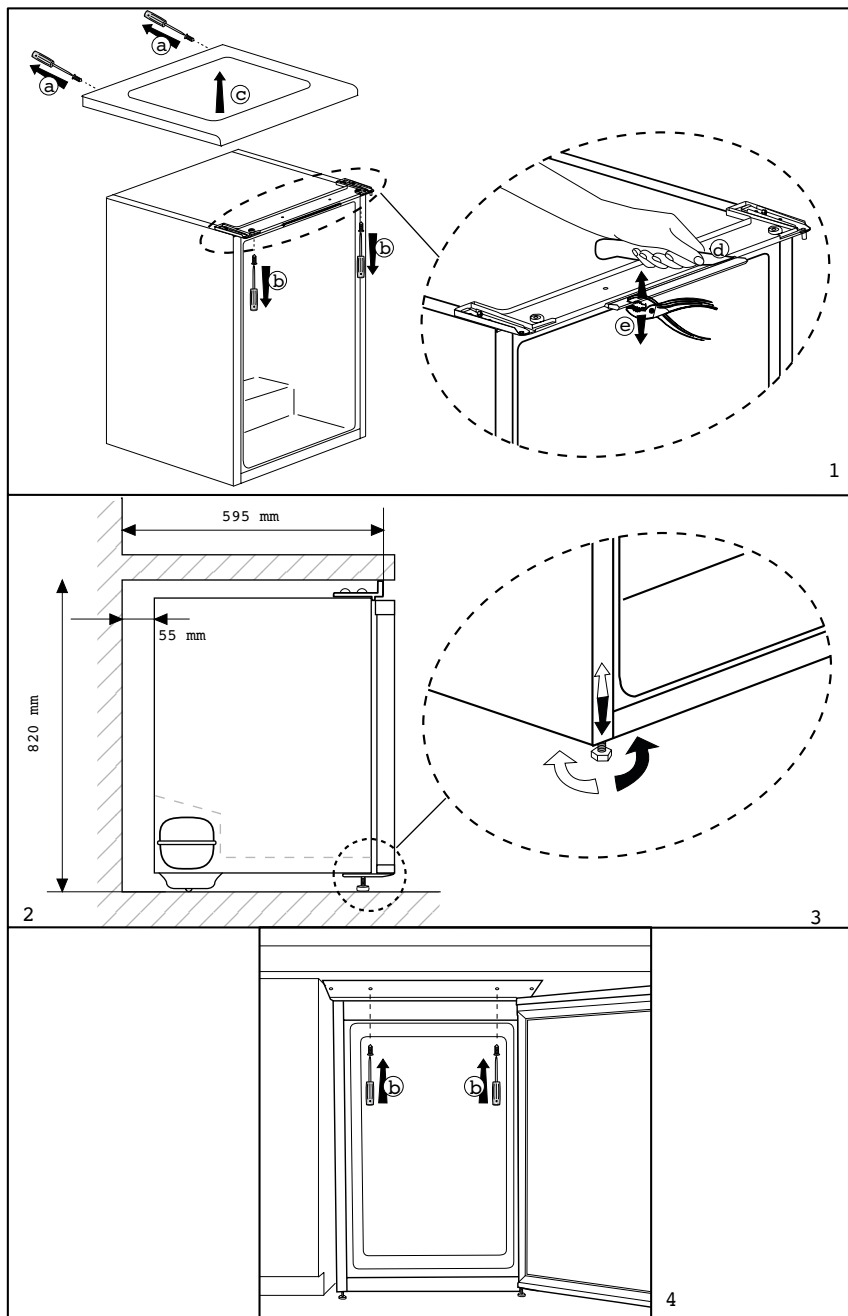
Promjena lampice za osvjetljenje

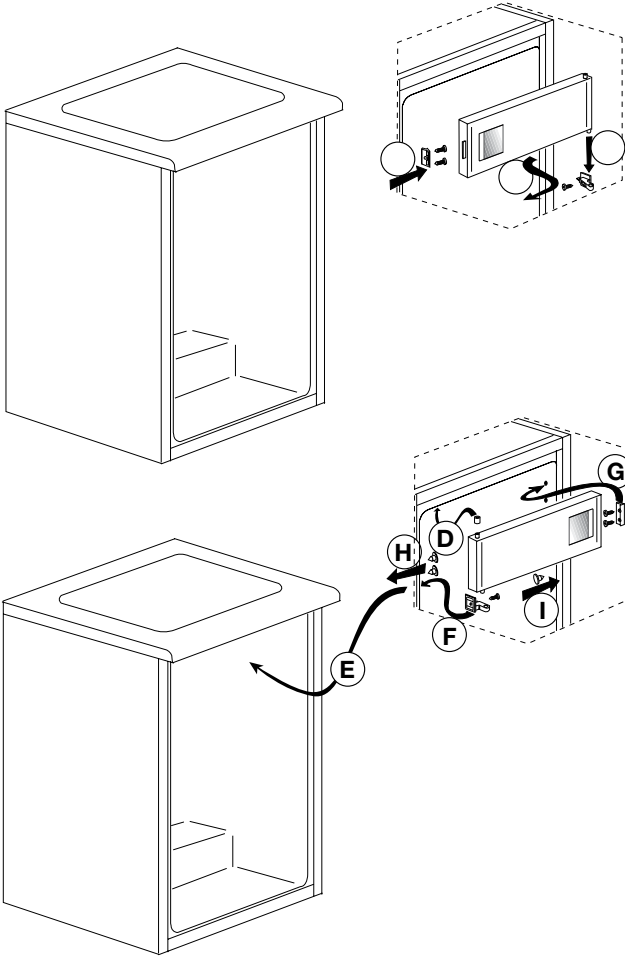
Da biste zamijenili lampicu koja se koristi za osvjetljavanje, molimo nazovite svoj ovlaštenu servis.

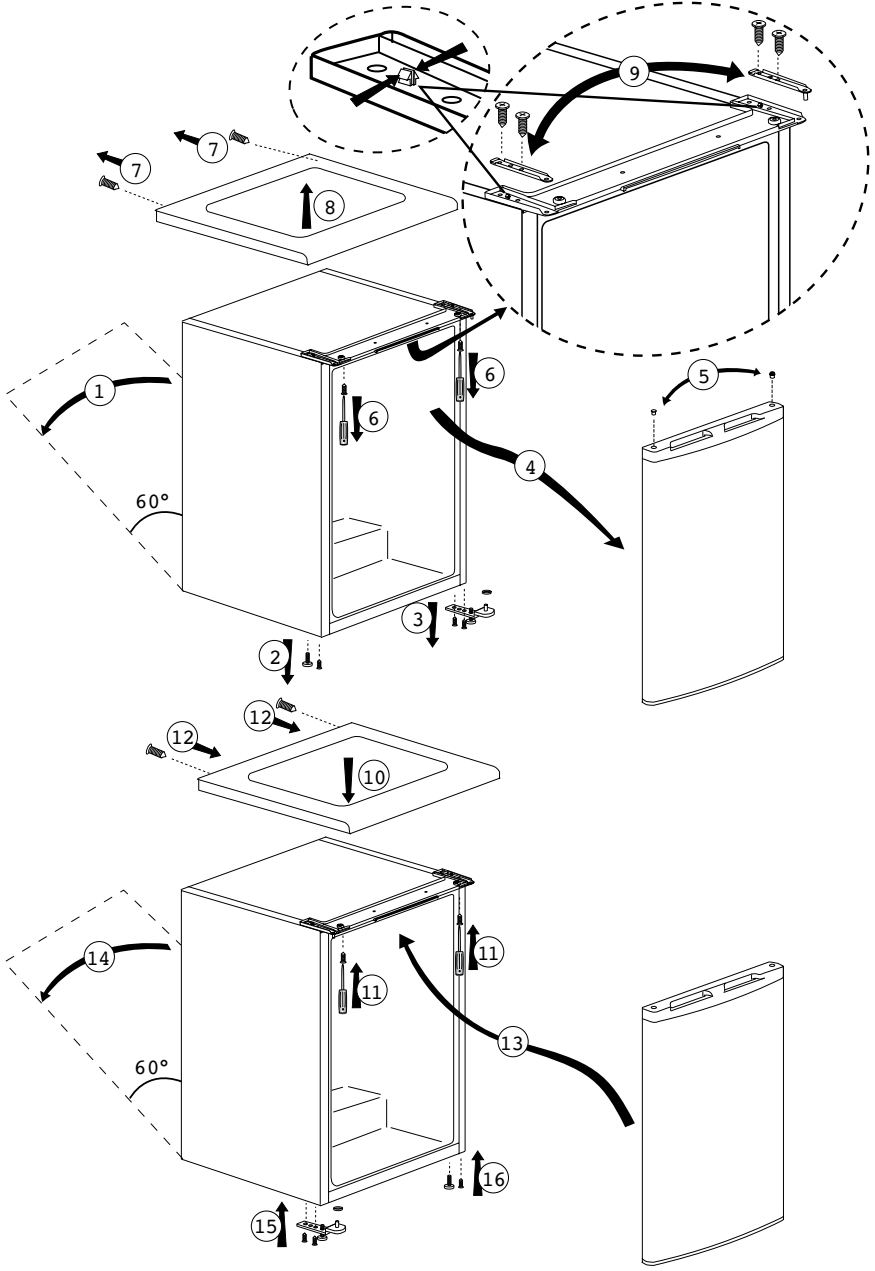
Lampa koja se koristi u ovom uređaju nije podesna za uporabu za osvjetljenje doma. Predviđena namjena ove lampe je da pomogne korisniku da stavi hranu u hladnjak/škrinju na siguran i ugodan način.

Svjetiljke ovog uređaja moraju podnijeti ekstremne uvjete poput temperatura nižih od -20 °C.

Mijenjanje smjera otvaranja vrata





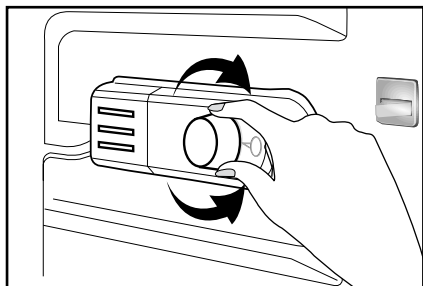


4 Priprema

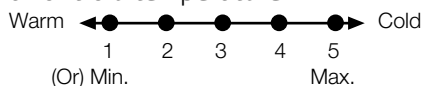
- Vaš hladnjak se treba postaviti najmanje 30 cm od izvora topline kao što su plamenici, pećnice, grijalice i štednjaci i najmanje 5 cm dalje od električnih pećnica te se ne smiju stavljati na direktnu sunčevu svjetlost.
- sobna temperatura u prostoriji u koju postavite hladnjak treba biti najmanje 10°C. Rad vašeg hladnjaka u hladnijim uvjetima od navedenih se ne preporuča vezano za učinkovitost.
- Pazite da se unutrašnjost vašeg hladnjaka temeljito čisti.
- Ako se dva hladnjaka trebaju instalirati jedan do drugog, između njih treba postojati razmak od najmanje 2 cm.
- Kada prvi put uključite hladnjak, molimo pridržavajte se sljedećih uputa tijekom prvih šest sati.
- Vrata se ne smiju često otvarati.
- Mora raditi prazan, bez ikakve hrane u njemu.
- Ne isključujte vaš hladnjak. Ako dođe do nestanka el. energije na koji ne možete utjecati, molimo pogledajte upozorenja u dijelu "Preporučena rješenja problema".
- Originalno pakiranje i materijali od pjene se trebaju čuvati zbog budućeg transporta ili selidbe.
- Kod nekih modela instrument ploča isključuje se 5 minuta nakon što se vrata zatvore. Ona će se ponovo aktivirati kada se vrata otvore ili kada se pritisne bilo koji gumb.
- S obzirom na promjenu temperature uslijed otvaranja/zatvaranja vrata proizvoda tijekom rada, kondenzacija na vratima/policama i staklenom spremniku normalna je pojava.

5 Uporaba vašeg hladnjaka

Tipka za postavljanje termostata



Temperatura rada se regulira tipkom za kontrolu temperature.



1 = Najniža postavka hlađenja (najtoplija postavka)

5 = Najviša postavka hlađenja (najhladnija postavka)

(Ili)

Min. = Najniža postavka hlađenja (Najtoplija postavka)

Max. = Najviša postavka hlađenja (Najhladnija postavka)

Prosječna temperatura unutar hladnjaka treba biti oko +5°C.

Molimo odaberite postavku prema željenoj temperaturi.

Molimo imajte na umu da će u prostoru za hlađenje biti različitih temperatura.

Najhladniji dio je odmah iznad odjeljka za povrće.

Unutarnja temperatura također ovisi o temperaturi okoline, učestalosti otvaranja vrata i količini hrane koja se nalazi unutra.

Često otvaranje vrata dovodi do rasta unutarnje temperature.

Zbog tog razloga, preporučamo zatvaranje vrata nakon uporabe što je češće moguće.

Unutarnja temperatura vašeg hladnjaka se mijenja zbog sljedećih razloga:

- Temperatura godišnjih doba,
- Često otvaranje vrata i ostavljanje vrata otvorenim dulje vrijeme,
- Stavljanje hrane u hladnjak bez prethodnog hlađenja na sobnu temperaturu,
- Smještaj hladnjaka u sobi (npr. izlaganje sunčevoj svjetlosti).
- Zbog takvih razloga, pomoću termostata možete prilagoditi različite temperature unutrašnjosti. Brojevi oko tipki termostata označavaju razinu hladnoće.
- Ako je temperatura okoline viša od 32°C, okrenite tipku termostata na maksimalni položaj.
- Ako je temperatura okoline niža od 25°C, okrenite tipku termostata na minimalni položaj.

Hlađenje

Spremanje hrane

Odjeljak hladnjaka služi za kratkotrajnu pohranu svježe hrane i pića.

Zamrzavanje

Zamrzavanje hrane

Odjeljak za zamrzavanje hrane je označeno **❄️❄️❄️** ovim simbolom.

Možete koristiti uređaj za zamrzavanje svježe hrane kao i pohranu već smrznute hrane.

Molimo pogledajte preporuke dane na pakiranju Vaše hrane.

Pohrana smrznute hrane

Odjeljak za zamrzavanje hrane je označeno **❄️❄️** ovim simbolom.

Odjeljak sa smrznutom hranom je podesan za spremanje smrznute hrane. Svo vrijeme se treba pridržavati preporuke za pohranu na pakiranju hrane.

Odmrzavanje

A.) Odjeljak za zamrzavanje

Odjeljak hladnjaka obavlja potpuno automatsko odmrzavanje. dok se vaš hladnjak hladi, na stražnjoj stjenci odjeljka hladnjaka se mogu pojaviti kapi vode i led do 7-8 mm. Takve nakupine su normalne zbog sustava za hlađenje. Nakupine leda se odmrzavaju obavljanjem automatskog odmrzavanja s određenim intervalima zahvaljujući sustavu za automatsko odmrzavanje na stražnjoj stjenci. Korisnik ne mora strugati led ili uklanjati kapljice vode.

Voda koja nastaje od otapanja prolazi iz žlijeba za nakupljanje vode i teče u isparivač kroz cijev za odlijevanje i tu sama isparava.

Redovito provjeravajte da biste vidjeli je li cijev za odljev začepljena i po potrebi je očistite štapom u rupi.

Odjeljak za brzo zamrzavanje ne obavlja automatsko odmrzavanje da bi se spriječilo propadanje zamrznute hrane.

B) Odjeljak za hlađenje

Odmrzavanje je vrlo jednostavno i uredno, zahvaljujući posebnoj posudi za skupljanje odmrznutog.

Odmrzavajte dva puta godišnje kad se skupi sloj leda od otprilike 7 mm.

Da biste započeli s postupkom odleđivanja, isključite uređaj iz utičnice i povucite utikač van.

Svu hranu treba zamotati u nekoliko slojeva novinskog papira i staviti na hladno mjesto (npr. hladnjak ili ostavu).

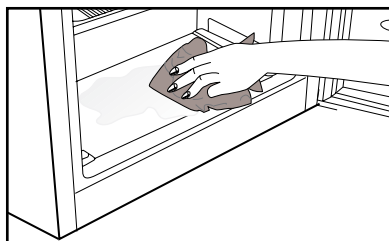
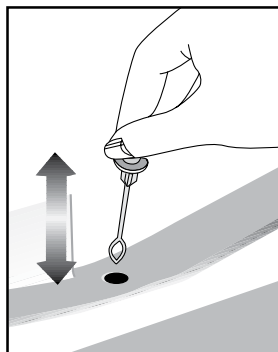
Spremnike s toplom vodom možete pažljivo staviti u škrinju da biste ubrzali odmrzavanje.

Ne koristite oštre predmete kao što su noževi ili vilice da biste uklonili led.

Nikada ne koristite fen, električne grijalice ili slične električne aparate za odmrzavanje.

Spužvom uklonite odmrznutu vodu sakupljenu na dnu odjeljak za zamrzavanje. Nakon odmrzavanja, dobro osušite unutrašnjost.

Umetnite utikač u utičnicu i uključite dovod energije.



6 Održavanje i čišćenje

- ⚠ Nikada za čišćenje nemojte koristiti benzin ili slične materijale.
- ⚠ Savjetujemo da isključite uređaj iz struje prije čišćenja.
- ⓘ Nikada za čišćenje nemojte koristiti oštre predmete ili abrazivne tvari, sapun, tekućinu za čišćenje kućanstva, deterdžent ili vosak za poliranje.
- ⓘ Koristite mlaku vodu za čišćenje kutije hladnjaka i osušite ga krpom.
- ⓘ Koristite ocijeđenu vlažnu krpu potopljenu u otopini jedne žličice sode bikarbone na pola litre vode da biste očistili unutrašnjost i osušite je krpom.
- ⚠ Pazite da voda ne uđe u kućište lampe i druge električne dijelove.
- ⚠ Ako se aparat neće koristiti dulje vrijeme, isključite ga, izvadite svu hranu, očistite ga i ostavite vrata otvorena.
- ⓘ Provjeravajte brtve na vratima redovito da biste bili sigurni da su čisti i da na njima nema komadića hrane.
- ⓘ Da biste skinuli police s vrata, izvadite sav sadržaj i tada jednostavno gurnite policu vrata gore iz osnove.
- ⓘ Nikad ne upotrebljavajte sredstva za čišćenje ili vodu koja sadrži klor za čišćenje vanjskih površina ili kromiranih dijelova proizvoda. Klor uzrokuje koroziju na takvim metalnim površinama.

ⓘ Ne koristite oštre i abrazivne alate ili sapun, sredstva za čišćenje u kućanstvu, deterdžente, benzin, benzen, vosak i sl. jer u protivnom naljepnice na plastičnom dijelu se mogu odlijepiti te može doći do deformacija. Za čišćenje koristite toplu vodu te osušite mekanom krpom.

Zaštita plastičnih površina

ⓘ Ne stavljajte tekuće ulje ili jela kuhana na ulju u vaš hladnjak u nezatvorenim posudama jer oni mogu oštetiti plastične površine hladnjaka. U slučaju proljevanja ili razmazivanja ulja na plastičnim površinama, odmah očistite i isperite odgovarajuće dijelove površine toplom vodom.

7 Preporučena rješenja za probleme

Molimo provjerite popis prije zvanja servisa. To vam može uštedjeti vrijeme i novac. Popis sadrži česte reklamacije koje nisu posljedica oštećenja u proizvodnji ili uporabi. Neke od opisanih mogućnosti možda ne postoje na vašem proizvodu.

Hladnjak ne radi
<ul style="list-style-type: none">• Je li hladnjak pravilno uključen na napajanje? Uključite utikač u utičnicu u zidu.• Je li pregorio osigurač utičnice na koju je priključen vaš hladnjak? Provjerite osigurač.
kondenzacija na bočnoj stjenci odjeljka hladnjaka. (MULTI ZONA, UPRAVLJANJE HLAĐENJEM i FLEKSI ZONA)
<ul style="list-style-type: none">• Jako hladna okolina. Često otvaranje i zatvaranje vrata. Jako vlažna okolina. Čuvanje hrane koja sadrži tekućinu u otvorenim posudama. Ostavljanje vrata odškrinutim.• Prebacivanje termostata na hladniji stupanj.• Smanjivanje vremena kad su vrata otvorena ili rjeđa uporaba.• Prekrivanje hrane spremljene u otvorenim posudama odgovarajućim materijalom.• Obrišite kondenzat pomoću suhe krpe i provjerite ukoliko se i dalje javlja.
Kompresor ne radi
<ul style="list-style-type: none">• Zaštitni termički dio kompresora će pregoriti tijekom naglih nestanaka el. energije ili isključivanja priključaka jer tlak rashladnog sredstva u sustavu za hlađenje hladnjaka nije još izbalansiran.• Vaš hladnjak će početi s radom otprilike nakon 6 minuta. Molimo nazovite servis ako se vaš hladnjak ne uključi na kraju ovog razdoblja.• Hladnjak je u ciklusu odmrzavanja. To je normalno za hladnjak s potpuno automatskim odmrzavanjem. Ciklus za odmrzavanje se događa periodički.• Vaš hladnjak nije uključen u utičnicu. Pazite da je utikač dobro utaknut u zidnu utičnicu.• Je li temperatura pravilno postavljena? Došlo je do nestanka struje. Zovite vašeg dobavljača el.energije.

Hladnjak radi često ili dugotrajno.

- Vaš novi hladnjak je možda širi od prethodnog. To je u potpunosti normalno. Veći hladnjaci rade dulje.
- Sobna temperatura je možda visoka. To je potpuno normalno.
- Hladnjak je možda nedavno priključen na el.energiju ili je možda napunjen hranom. Potpuno hlađenje hladnjaka može trajati nekoliko sati dulje.
- Možda su nedavno u hladnjak stavljene velike količine tople hrane. Topla hrana uzrokuje dulji rad hladnjaka dok ne dostigne sigurnu temperaturu za čuvanje.
- Vrata su možda često otvarana ili ostavljena odškrinuta dulje vrijeme. Topli zrak koji je ušao u hladnjak uzrokuje da hladnjak radi dulje vrijeme. Rjeđe otvarajte vrata.
- Vrata škrinje ili hladnjaka su možda bila odškrinuta. Provjerite jesu li vrata čvrsto zatvorena.
- Hladnjak je postavljen na vrlo nisku temperaturu. Prilagodite temperaturu hladnjaka na topliju razinu dok se ne postigne temperatura.
- Brtva vrata hladnjaka ili škrinje može biti prljava, pohabana, oštećena ili nije dobro sjela. Očistite ili zamijenite brtvu. Oštećena/pokidana brtva uzrokuje dulji rad hladnjaka da bi se održala trenutna temperatura.

Temperatura hladnjaka je vrlo niska dok je temperatura frižidera dovoljna.

- Temperatura hladnjaka je postavljena na vrlo nisku temperaturu. Prilagodite temperaturu hladnjaka na topliji stupanj i provjerite.

Temperatura frižidera je vrlo niska dok je temperatura hladnjaka dovoljna.

- Temperatura hladnjaka je postavljena na vrlo nisku temperaturu. Prilagodite temperaturu hladnjaka na topliji stupanj i provjerite.

Hrana koja se čuva u ladicama hladnjaka se smrzava.

- Temperatura hladnjaka je postavljena na vrlo nisku temperaturu. Prilagodite temperaturu hladnjaka na topliji stupanj i provjerite.

Temperatura u hladnjaku ili škrinji je previsoka.

- Temperatura hladnjaka je postavljena na vrlo visoku temperaturu. Prilagođavanje hladnjaka ima utjecaja na temperaturu škrinje. Mijenjajte temperaturu hladnjaka ili škrinje dok temperatura hladnjaka ili škrinje ne dosegne dovoljnu razinu.
- Možda su vrata odškrinuta. Zatvorite vrata do kraja.
- Možda su nedavno u hladnjak stavljene velike količine tople hrane. Čekajte dok hladnjak ili škrinja ne dosegnu željenu temperaturu.
- Hladnjak je možda uključen nedavno. Potpuno hlađenje hladnjaka može potrajati zbog veličine.

Iz hladnjaka dolazi buka slična sekundama oja se čuje iz analognog sata.
<ul style="list-style-type: none"> Ova buka dolazi iz elektromagnetskog ventila hladnjaka. Elektromagnetski ventil služi osiguravanju prolaska rashladnog sredstva kroz odjeljak koji se može prilagoditi temperaturama hlađenja ili zamrzavanja i obavljanja funkcija hlađenja. to je normalno i nije uzrok kvara.
Buka tijekom rada se povećava kad hladnjak radi.
<ul style="list-style-type: none"> Radne performanse hladnjaka se mogu promijeniti ovisno o promjenama sobne temperature. To je normalno i ne predstavlja kvar.
Vibracije ili buka.
<ul style="list-style-type: none"> Pod nije ravan ili je slab. Hladnjak se njiše kad se polako pomiče. Pazite da je pod ravan, jak i da može nositi hladnjak. Buka može biti uzrokovana predmetima koji se nalaze na hladnjaku. Takvi predmeti se moraju ukloniti s hladnjaka.
Čuje se buka poput prolivanja tekućine ili špricanja.
<ul style="list-style-type: none"> Protok tekućine i plinova se događa u skladu s radnim principima vašeg hladnjaka. To je normalno i ne predstavlja kvar.
Čuje se buka poput puhanja vjetra.
<ul style="list-style-type: none"> Aktivatori zraka (ventilatori) se koriste da bi se hladnjak učinkovito hladio. To je normalno i ne predstavlja kvar.
Kondenzacija na unutarnjim stjenkama hladnjaka.
<ul style="list-style-type: none"> Toplo i vlažno vrijeme povećava nastanak leda i kondenziranje. To je normalno i ne predstavlja kvar. Vrata su odškrinuta. Pazite da su vrata zatvorena do kraja. Vrata su možda često otvarana ili su dulje vrijeme bila otvorena. Rjeđe otvarajte vrata.
Vlaga se pojavljuje na vanjskom dijelu hladnjaka ili između vrata.
<ul style="list-style-type: none"> Možda je vlažno vrijeme. To je potpuno normalno kod vlažnog vremena. Kad je vlažnost manja, kondenzat će nestati.
Neugodan miris unutar hladnjaka.
<ul style="list-style-type: none"> Mora se očistiti unutrašnjost hladnjaka. Očistite unutrašnjost hladnjaka spužvom, toplom ili gaziranom vodom. Neugodan miris možda uzrokuju neke posude ili materijali pakiranja. Koristite neku drugu posudu ili drugačiju marku materijala za pakiranje.
Vrata se ne zatvaraju.
<ul style="list-style-type: none"> Paketi hrane možda sprječavaju zatvaranje vrata. Uklonite pakete hrane koji smetaju vratima. Hladnjak vjerojatno nije potpuno okomit prema podu i možda se njiše kad se lagano pomiče. Prilagodite vijke za podizanje. Pod nije ravan ili jak. Pazite da je pod ravan i da može nositi hladnjak.
Odjeljci za voće i povrće su zaglavljani.
<ul style="list-style-type: none"> Hrana možda dodiruje vrh ladice. Presložite hranu u ladici.

Prosimo, da najprej preberete navodila za uporabo!

Dragi kupec,

upamo, da bo naprava, ki je bila izdelana v modernih obratih in preizkušena z natančnimi postopki kakovosti, zagotovila učinkovito delovanje.


Zato priporočamo, da pred uporabo pazljivo preberete celotna navodila za uporabo naprave in jih hranite v bližini, saj jih boste morda potrebovali v prihodnje.

Priročnik

- Priročnik vam bo pomagal pri hitri in varni uporabi naprave.
- Priročnik preberite preden napravo namestite in uporabite.
- Sledite navodilom, predvsem varnostnim.
- Priročnik hranite na lahko dosegljivem mestu, saj ga boste morda kasneje potrebovali.
- Poleg tega preberite tudi ostale dokumente, ki so priloženi napravi.
- Prosimo upoštevajte, da je priročnik lahko veljaven tudi za druge modele.

Simboli in njihov opis

Navodila za uporabo vsebujejo naslednje simbole:

 Pomembne informacije in koristni nasveti za uporabo.

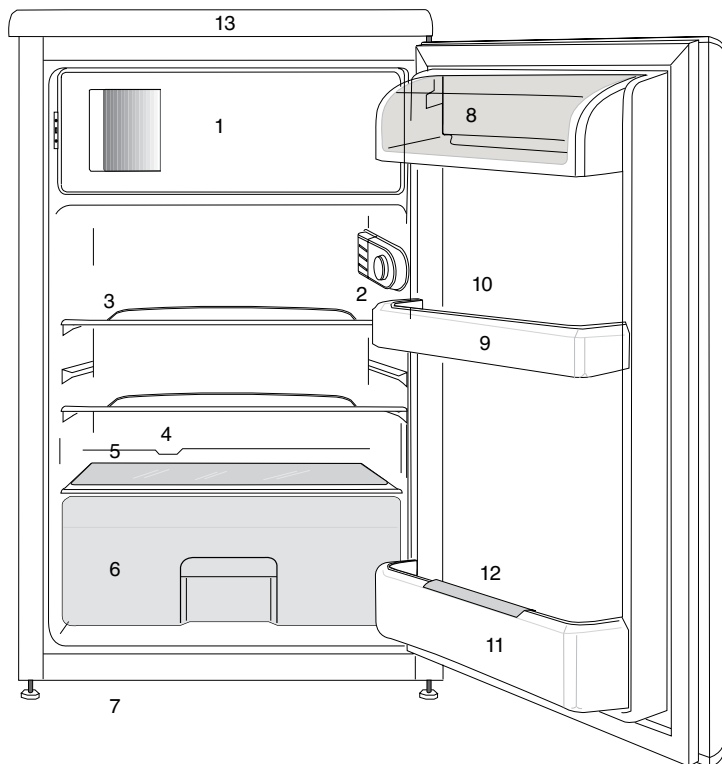
 Opozorila pred nevarnostmi za življenje in lastnino.

 Opozorila pred električno napetostjo.

VSEBINA

1 Hladilnik	3	4 Priprava	12
2 Pomembna varnostna opozorila	4	Obračanje vrat	14
Namen uporabe	4	5 Uporaba hladilnika	16
Za naprave z dispencerjem za vodo;..	7	Zamrzovanje.....	16
Varnost otrok	7	Zamrzovanje živil.....	16
Skladnost z direktivo OEEQ in odstranjevanjem odpadnih izdelkov:	7	Izdelava kock ledu.....	17
Skladnost z direktivo RoHS:	8	Shranjevanje zamrznjenih živil	17
Informacije o embalaži	8	Odtajanje naprave.....	17
Opozorilo HC	8	Hlajenje	18
Varčevanje z energijo.....	8	Shranjevanje živil.....	18
3 Namestitev	9	Odtajanje naprave.....	18
Napotki, ki jih je treba upoštevati ob ponovnem prevozu hladilnika	9	6 Vzdrževanje in čiščenje	19
Pred uporabo hladilnika	9	Zaščita plastičnih površin	19
Električna povezava	9	7 Priporočljive rešitve za težave	20
Odstranjevanje embalaže	10		
Odstranjevanje starega hladilnika....	10		
Namestitev in montaža	10		
Nastavitev nogic	11		
Zamenjava žarnice	11		
Namestitev (pod pultom).....	11		

1 Hladilnik



1. a.) Zamrzovalni del & podstavek za led (za ******* modele)b.) Predel za zamrznjeno hrano & podstavek za led (za ****** modele)

2. Notranja luč & Gumb termostata

3. Premične police

4. Zbiralni kanal odtaljene vode - Cev za izpust

5. Pokrov predela za sveža živila

6. Predal za svežo hrano

7. Nastavljivi sprednji nogi

8. Predel za mlečne izdelke

9. Vratne police

10. Pladenj za jajca

11. Polica za steklenice

12. Prijemalnik za steklenice

13. Zgornji okrov





i Slike v navodilih za uporabo so shematske in morda ne ustrezajo vašemu proizvodu. Če naprava, ki ste jo kupili, ne vsebuje določenih delov, so veljavni za druge modele.

2 Pomembna varnostna opozorila

Prosimo, preglejte naslednje informacije. Če ne boste upoštevali teh informacij, lahko pride do telesnih poškodb ali poškodb materiala. V nasprotnem primeru garancija in zanesljivost nista veljavni.

Originalne nadomestne dele zagotavljamo 10 let po datumu nakupa.

Namen uporabe

	OPOZORILO : Odprtine za zračenje, ohišje naprave ali vgrajeni hladilni elementi naj bodo vedno nezastrti.
	OPOZORILO : Za hitrejše odmrzovanje ne uporabljajte mehanskih naprav, razen takih, ki jih priporoča proizvajalec.
	OPOZORILO : Ne poškodujte tokokroga hladilnega sredstva.
	OPOZORILO : V notranjosti razdelka za shranjevanje živil aparata ne uporabljajte električnih naprav, razen takih, ki jih priporoča proizvajalec.

Ta naprava je namenjena za uporabo v gospodinjstvu in podobnih okoljih, kot so:

- kuhinje za osebje v trgovinah, pisarnah in drugih delovnih okoljih;

- hoteli, moteli in druga stanovanjska okolja, kjer jo lahko uporabljajo gostje;

- okolja, kjer ponujajo nočitve z zajtrkom.

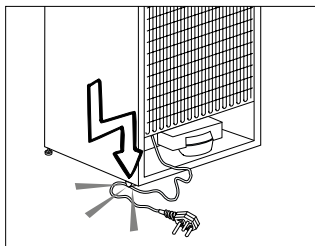
- pri cateringu in v podobnih okoljih, kjer ne gre za neposredno prodajo.

Splošna varnost

- Ko želite proizvod odstraniti/odvreči, Vam priporočamo, da se posvetujete s pooblaščen servisno službo in organi, da pridobite potrebne informacije.
- Pri morebitnih vprašanjih ali težavah s hladilnikom se posvetujte s pooblaščen servisno službo. Brez sporočila pooblaščen servisni službi ne posegajte v hladilnik sami ali s tujo pomočjo.
- Za naprave z zamrzovalnim delom; Sladoleda in ledenih kock ne jejte takoj, ko jih vzamete iz zamrzovalnega dela! (Povzročijo lahko ozeblino v ustih.)
- Za naprave z zamrzovalnim delom; V zamrzovalnem delu ne shranjujte tekočin v steklenicah ali pločevinkah. V nasprotnem primeru lahko počijo.
- Zamrznjenih živil se ne dotikajte z rokami, saj lahko primrznejo.
- Pred čiščenjem ali odtajanjem hladilnik izključite iz električnega omrežja.

- Hladilnika nikoli ne čistite in odtajajte s paro ali parnimi čistilnimi sredstvi. Para lahko pride v stik z električnimi deli in povzroči kratki stik ali električni udar.
- Delov hladilnika kot so vrata nikoli ne uporabljajte kot opornike ali stopnico.
- V hladilniku ne uporabljajte električnih naprav.
- Delov, kjer hladilno sredstvo kroži, ne poškodujte z napravami za vrtnanje ali rezanje. Če se plinski kanali izparilnika, podaljški cevi ali površinske prevleke prebodejo, lahko hladilno sredstvo prodre in povzroči draženje kože ali poškodbe oči.
- Ne pokrivajte ali blokirajte zračnih odprtin na hladilniku z nobenim materialom.
- Električne naprave lahko popravljajo samo pooblaščene osebe. Popravila, ki jih izvajajo nepooblaščene osebe, povzročijo nevarnost za uporabnika.
- V primeru kakršnekoli napake ali pred vzdrževalnimi deli in popravili obvezno izključite električno napajanje hladilnika tako, da izključite zadevno varovalko ali iztaknete vtič naprave.
- Ko izklopate vtič, ne vlecite za kabel.
- Zagotovite, da so pijače z visoko vsebnostjo alkohola varno shranjene, zaprte s pokrovom in v pokončnem položaju.
- V hladilniku nikoli ne shranjujte razpršilcev, ki vsebujejo vnetljive in eksplozivne substance.
- Za pospeševanje postopka odtajanja ne uporabljajte mehanskih naprav ali drugih pripomočkov, razen tistih, ki jih priporoča proizvajalec.
- Naprave naj ne uporabljajo osebe s fizičnimi, senzornimi ali duševnimi motnjami ali osebe, ki nimajo potrebnega znanja oziroma izkušenj (vključno z otroki), razen če jih nadzira oseba, ki je odgovorna za njihovo varnost ali oseba, ki jim bo ustrezno svetovala glede uporabe naprave.
- Ne uporabljajte poškodovanega hladilnika. Če imate kakršne koli pomisleke, se obrnite na servisno službo.
- Električna varnost hladilnika je zagotovljena, le če ozemljitveni sistem v hiši ustreza standardom.
- Izpostavljanje proizvoda dežju, snegu, soncu ali vetru predstavlja električno nevarnost.
- Če je napetostni kabel poškodovan, se obrnite na pooblaščeno servisno službo, da se izognete nevarnostim.
- Hladilnika med montažo nikoli ne vključite v vtičnico. V nasprotnem primeru obstaja nevarnost smrti ali resne poškodbe.

- Hladilnik je namenjen samo shranjevanju živil. Ne uporabljajte ga v druge namene.
- Etiketa s tehničnimi specifikacijami se nahaja na levi steni znotraj hladilnika.
- Hladilnika ne priključujte na sisteme varčevanja električne energije, saj ga lahko poškodujejo.
- Če je na hladilniku modra lučka, ne glejte vanjo z golim očesom ali skozi optične naprave dlje časa.
- Pri hladilnikih z ročnim upravljanjem, počakajte vsaj 5 minut, preden ga po električnem izpadu ponovno priključite.
- Če napravo dobi nov lastnik, mu izročite tudi navodila za uporabo.
- Med prenašanjem hladilnika ne poškodujte napetostnega kabla. Upogibanje kabla lahko povzroči požar. Na napetostni kabel nikoli ne postavljajte težkih predmetov. Ko napravo priklapljate, se ne dotikajte vtiča z mokrimi rokami.



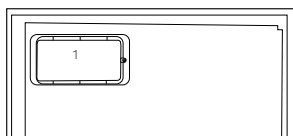
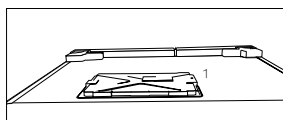
- Hladilnika ne priključujte v razrahljano vtičnico.
- Iz varnostnih razlogov na

notranjih ali zunanjih delih naprave ne škropite vode.

- V bližini hladilnika ne pršite vnetljivih plinov, kot je propan, saj obstaja nevarnost požara ali eksplozije.
- Na hladilnik nikoli ne postavljajte posod z vodo, saj to lahko povzroči električni udar ali požar.
- Hladilnika ne preobremenjujte s prekomernimi količinami živil. Če je naprava prenapolnjena, lahko živila med odpiranjem vrat hladilnika padejo dol in vas poškodujejo ali povzročijo škodo na hladilniku. Na hladilnik nikoli ne postavljajte predmetov, saj lahko med odpiranjem ali zapiranjem vrat hladilnika padejo dol.
- Cepiv, zdravil, občutljivih na toploto, znanstvenih materialov itd. ne shranjujte v hladilnik, saj zahtevajo določeno temperaturo.
- Če hladilnika ne boste uporabljali dlje časa, ga izklopite. Težave v napetostnem kablu namreč lahko povzročijo požar.
- Če nastavljive noge niso dobro nameščene na tleh, še hladilnik lahko premika. Če nastavljive noge dobro namestite na tla, lahko preprečite premikanje hladilnika.
- Med prenašanjem hladilnika ne držite za ročaje na vratih, saj jih lahko odtrgate.
- Če napravo namestite

zraven drugega hladilnika ali zamrzovalnika, naj bo razdalja med napravami vsaj 8 cm. V nasprotnem primeru se lahko na sosednjih stenah naprav pojavi vlaga.

- Izdelka ne uporabljajte, če je področje na vrhu ali na zadnji strani izdelka, ki vsebuje elektronska tiskana vezja, odprto (pokrov elektronskega tiskanega vezja) (1).



Za naprave z dispencerjem za vodo;

- Tlak vstopne hladne vode ne sme presegati 6,2 bar (90 psi). Če tlak vstopne vode presega 5,5 bar (80 psi), uporabite ventil za omejevanje tlaka v vodovodnem tokokrogu. Če ne veste, kako izmeriti vodni tlak, poprosite inštalaterja za vodovod.
- Če je v vaši inštalaciji prisotno tveganje nastanka hidravličnega udara, vedno uporabite opremo za preprečevanje hidravličnega udara. Da preverite, da v

vaši inštalaciji ni tveganja za pojav hidravličnega udara, se posvetujte z inštalaterjem za vodovod.

- Ne nameščajte na vod s toplo vodo. Izvedite potrebne ukrepe za preprečevanje zamrznitve cevi. Območje temperature vode za delovanje naj bo med najmanj 0,6°C (33°F) in največ 38°C (100°F).
- Uporabljajte samo pitno vodo.

Varnost otrok

- Če imajo vrata ključavnico, jo hranite izven dosega otrok.
- Otroke je treba nadzirati, da se ne igrajo z napravo.

Skladnost z direktivo OEE0 in odstranjevanjem odpadnih izdelkov:



Izdelek je v skladu z direktivo EU OEE0 (2012/19/EU). Izdelek vsebuje simbol za razvrstitev odpadne električne in elektronske opreme (OEE0).

Izdelek je bil izdelan z visokokakovostnimi sestavnimi deli in materiali, ki jih je mogoče ponovno uporabiti in so primerni za recikliranje. Odsluženega odpadnega izdelka ne odlagajte z običajnimi gospodinjstvi in drugimi odpadki. Odnosite ga na

center za zbiranje in recikliranje električne in elektronske opreme. Za informacije o teh centrih za zbiranje se obrnite na lokalne oblasti.

Skladnost z direktivo RoHS:

Izdelek, ki ste ga kupili, je v skladu z direktivo EU RoHS (2011/65/EU). Ne vsebuje škodljivih in prepovedanih materialov, ki so navedeni v direktivi.

Informacije o embalaži

Embalažni material izdelka je izdelan iz materiala, ki ga je mogoče reciklirati, v skladu z našimi nacionalnimi okoljskimi predpisi. Embalažnega materiala ne odlagajte skupaj z gospodinjskimi ali drugimi odpadki. Odnosite ga na zbirna mesta za embalažni material, ki so jih določile lokalne oblasti.

Opozorilo HC

Če hladilni sistem naprave vsebuje R600a:

Ta plin je vnetljiv. Zato pazite, da med uporabo in transportom ne poškodujete hladilnega sistema in cevi. V primeru poškodbe, naj proizvod ne bo v bližini potencialnih virov ognja, ob katerih se lahko vname in prezračite prostor, v katerem je naprava.

To opozorilo ne velja, če hladilni sistem vaše naprave vsebuje R134a.

Vrsta plina, ki ga vsebuje naprava, je navedena na tipski plošči na levi steni znotraj hladilnika.

Naprave nikoli ne sežgite, da bi se je znebili.

Varčevanje z energijo

- Vrat hladilnika ne puščajte odprtih dalj časa.
- V hladilniku ne shranjujte toplih živil ali pijač.
- Hladilnika ne napolnite preobilno, saj s tem preprečite kroženje zraka.
- Hladilnika ne postavljajte na neposredno sočno svetlobo ali v bližino naprav, ki oddajajo toploto, kot so pečice, pomivalni stroji ali radiatorji.
- Živila shranjujte v zaprtih posodah.
- Za naprave z zamrzovalnim delom; v napravo lahko shranite največjo količino živil, če odstranite polico ali predal zamrzovalnika. Vrednost porabe energije se je določila, ko se je odstranila polica ali predal zamrzovalnika in je bila naprava napolnjena z največjo količino živil. Uporaba police ali predala glede na oblike in velikost živil, ki jih želite shraniti, ne predstavlja nevarnosti.
- Odtajanje zamrznjenih živil v hladilnem delu, bo privarčevalo energijo in ohranilo kakovost živil.

3 Namestitev

⚠ Proizvajalec ne bo odgovarjal, če ne boste upoštevali informacij v navodilih za uporabo.

Napotki, ki jih je treba upoštevati ob ponovnem prevozu hladilnika

1. Hladilnik morate izprazniti in očistiti pred vsakim prevozom.
2. Police, pripomočke, predale za sveža živila itd. v hladilniku pred ponovnim pakiranjem varno pritrdite z lepilnim trakom, da jih zaščitite pred sunki.
3. Embalažo pričvrstite z debelimi trakovi in močnimi vrvmi ter sledite navodilom za prevoz natisnjenih na embalaži.

Prosimo, ne pozabite ...

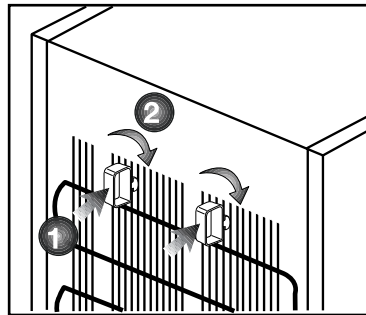
Vsak recikliran material je nujen vir za naravo in nacionalne vire.

Če želite sodelovati pri recikliranju embalažnega materiala, se za nadaljnje informacije obrnite na okoljske organe ali lokalne oblasti.

Pred uporabo hladilnika

Preden pričnete uporabljati hladilnik, preverite naslednje:

1. Ali je notranjost hladilnika suha in lahko zrak v zadnjem delu prosto kroži?
2. Prosimo, namestite 2 plastična klina, kot kaže slika. Plastična klina zagotovita potrebno razdaljo med hladilnikom in steno za neovirano kroženje zraka. (Slika je samo primer in se ne sklada popolnoma z vašo napravo.)



3. Notranjost hladilnika očistite kot je priporočeno v poglavju »Vzdrževanje in čiščenje«.
4. Hladilnik priključite v vtičnico električnega omrežja. Ko se vrata hladilnika odprejo, zasveti notranja luč hladilnega dela.
5. Ko se vklopi kompresor, boste zaslišali hrup. Tekočina in plini v hladilnem sistemu običajno lahko povzročijo hrup, tudi kadar kompresor ne deluje.
6. Sprednji robovi hladilnika so lahko topli na dotik. To je običajno. Te površine so oblikovane, tako da so tople, kar preprečuje kondenzacijo.

Električna povezava

Napravo priključite v ozemljeno vtičnico, ki je zaščitena z varovalko ustrezne zmogljivosti.

Pomembno;

- Priključitev mora ustrezati nacionalnim predpisom.
- Vtič napajalnega kabla naj bo po namestitvi lahko dostopen.
- Določena napetost mora ustrezati omrežni napetosti.

- Za priključitev ne uporabljajte podaljševalnih kablov ali večpotnih vtičev.
- ⚠ Poškodovan napajalni kabel lahko zamenja le usposobljen električar.
- ⚠ Naprave ne uporabljajte preden ni popravljena! Obstaja nevarnost električnega udara!

Odstranjevanje embalaže

Embalažni material je lahko nevaren za otroke. Embalažni material hranite izven dosega otrok ali ga odstranite v skladu z navodili za odstranjevanje odpadkov. Ne odstranite ga z običajnimi gospodinjskimi odpadki.

Embalaža hladilnika je izdelana iz materiala primernega za recikliranje.

Odstranjevanje starega hladilnika

Star hladilnik odstranite okolju prijazno.

- Glede odstranjevanja hladilnika se posvetujte s pooblaščenim prodajalcem ali centrom za zbiranje odpadkov v vaši občini.

Preden odstranite hladilnik, izklopite električni vtič in onemogočite morebitne ključavnice na vratih, da zaščitite otroke pred nevarnostmi.

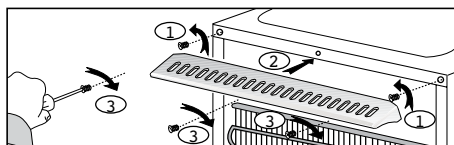
Namestitev in montaža

⚠ Če vhodna vrata sobe, kjer boste namestili hladilnik niso dovolj široka, da bi hladilnik lahko spravili skozi, pokličite pooblaščen servisno službo, da bodo odstranili vrata hladilnika in ga bočno spravite skozi vrata.

1. Namestite hladilnik na mesto, ki bo omogočalo preprosto uporabo.

2. Hladilnik naj ne bo v bližini toplotnih virov, vlažnih prostorov ali neposredne sončne svetlobe.
3. Za učinkovito delovanje mora biti prostor okrog hladilnika ustrezno prezračen. Če bo hladilnik nameščen v vdolbino v steni, mora biti najmanj 5 cm razmika od stropa in najmanj 5 cm razmika od stene. Če so tla pokrita s preprogo, mora biti proizvod 2,5 cm nad tlemi.
4. Da bi preprečili tresenje, namestite hladilnik na ravno talno površino.

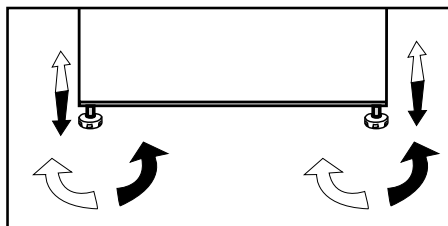
Če je napravi priložena zadnja prezračevalna mreža, pri nameščanju upoštevajte



Nastavitev nogic

Če vaš hladilnik ni izravnán

Hladilnik lahko izravnate tako, da sprednje noge zavrtite, kot kaže slika. Kot, kjer je noga, je spuščén, če obrnete v smeri črne puščice in dvignjen, če obrnete v nasprotno smer. Olajšajte si delo in prosite za pomoč drugo osebo, ki naj rahlo privzdigne hladilnik.



Zamenjava žarnice

Zamenjavo žarnice, ki se uporablja za osvetlitev hladilnika, naročite na pooblaščenem servisu.

Lučka, uporabljena v tej napravi, ni primerna za razsvetljavo prostorov v gospodinjstvu. Namembnost te lučke je pomagati uporabniku, da lahko daje živila v hladilnik / zamrzovalnik na varen in udoben način. Luči, uporabljene v tej napravi, morajo prenesti ekstremne fizične pogoje, kot so temperature pod -20°C .

Namestitev (pod pultom)

- Notranja višina pulta naj bo 820mm.
- (!) Na pult pod katerim je nameščena naprava ne postavljajte kuhalnikov ali drugih virov toplote.
- V bližini naprave na desni ali levi strani mora biti vtičnica.
- Odstranite zgornji pokrov naprave. Tam so 4 vijaki (2 na zadnji strani, 2 nad sprednjim robom), ki jih odstranite.

Slika 1

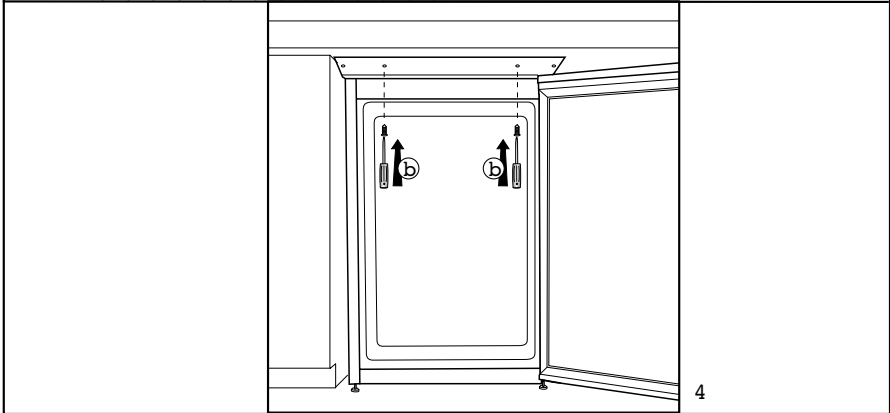
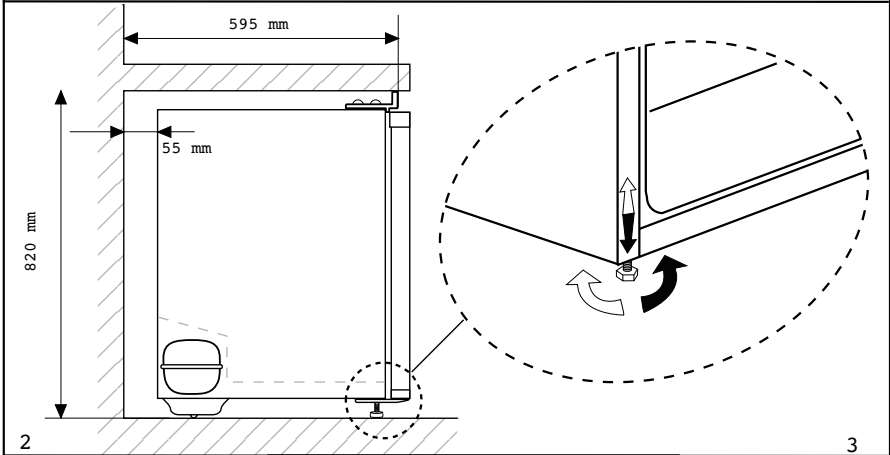
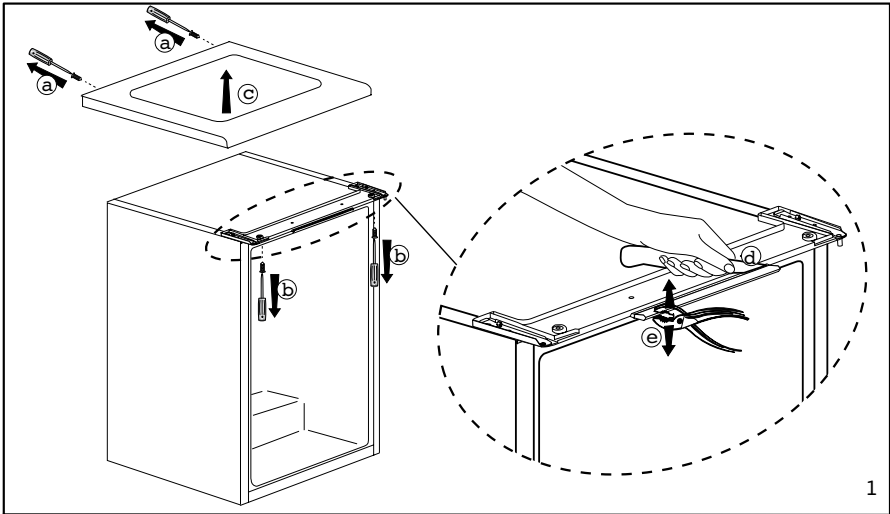
- Odstranite del kot je prikazano na sliki in ga nato odstranite s pomočjo klešč.
- Napravo namestite pod pult in nastavite sprednje noge tako, da se zgornji del dotika pulta.
- Če napravo uporabljate pod pultom, naj bo razmik med steno in navedbo označeno na zgornji priključni plastiki najmanj 595 mm.

Slika 2-3

- Napravo pričvrstite pod pult z 2 vijakoma, ki ste jih odstranili iz zgornjega pokrova. (Pult mora biti plastičen ali lesen!)

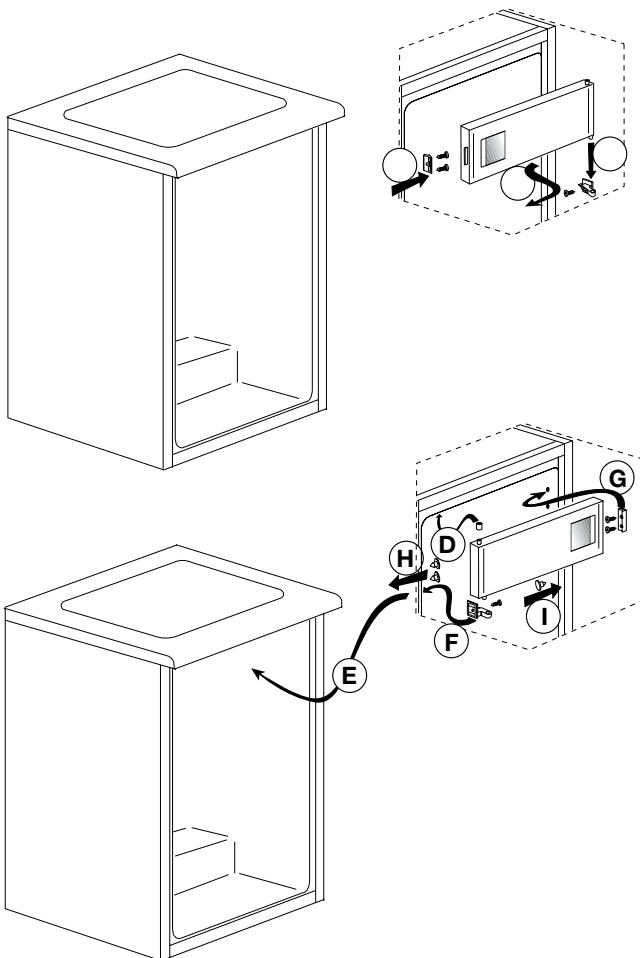
Slika 4

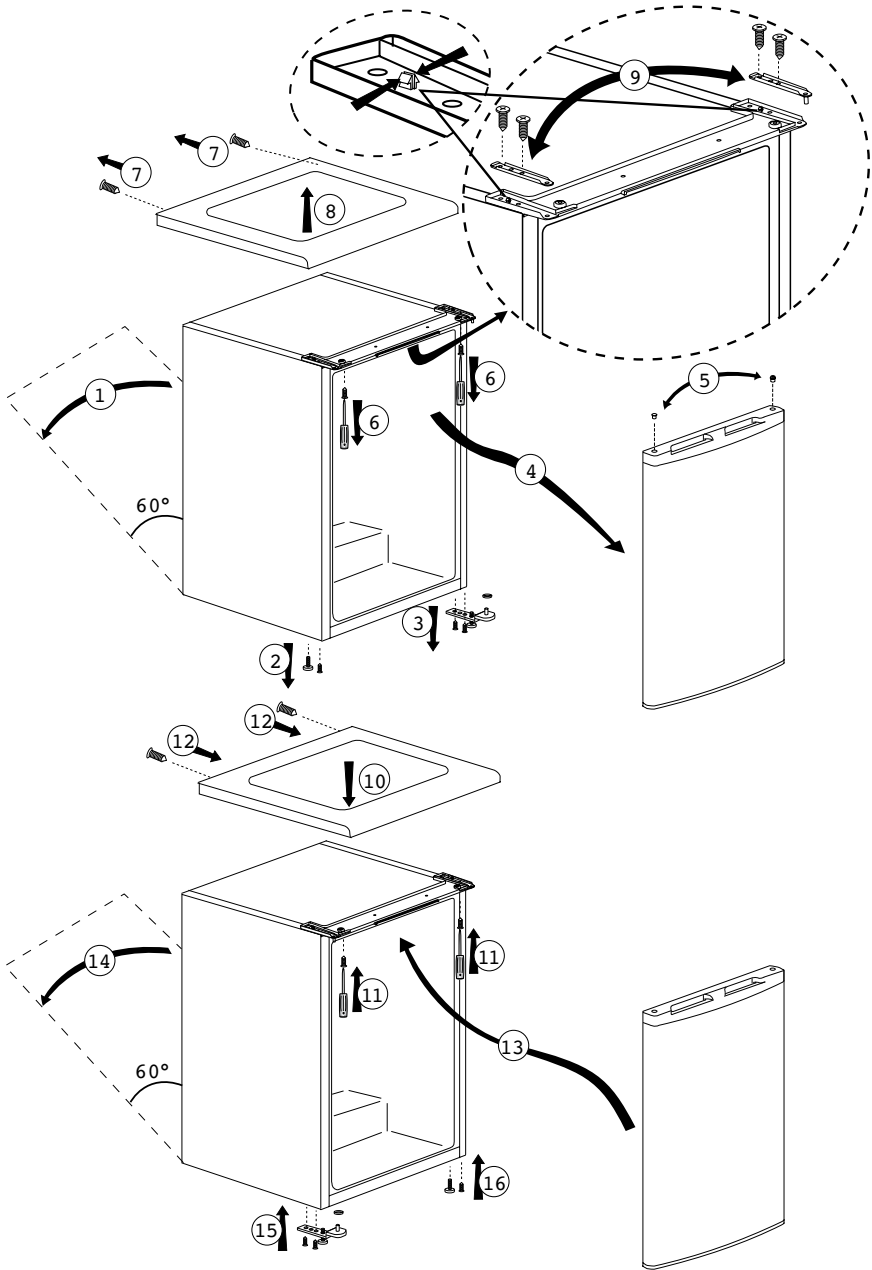
- Hladilnik morate namestiti vsaj 30 cm od virov toplote kot so kuhalne plošče, peči, glavni grelci ali štedilniki in vsaj 5 cm od električnih peči, prav tako ga ne postavljajte pod neposredno sončno svetlobo.
- Temperatura prostora kjer boste namestili hladilnik naj bo vsaj 10°C. Delovanje hladilnika v hladnejših pogojih ni priporočljivo, saj vpliva na njegovo učinkovitost.
- Prepričajte se, da je notranjost hladilnika popolnoma čista.
- Če bosta dva hladilnika nameščena drug ob drugem, naj bo vmes vsaj 2 cm razmika.
- Pri prvi uporabi hladilnika upoštevajte naslednja navodila med prvimi šestimi urami delovanja.
- Izognite se pogostemu odpiranju vrat.
- Delovati mora prazen, brez živil.
- Hladilnika ne izklopite. Če se pojavi nenadzorovan izpad elektrike, upoštevajte opozorila v oglavju "Priporočljive rešitve za težave".
- Originalno embalažo in penasti material shranite za prihodnji prevoz ali premikanje.
- Košare/predali, ki so nameščeni v razdelku za hlajenje, morajo biti vedno v uporabi, da bo poraba energije nižja in pogoji za hranjenje boljši.
- Stik hrane s temperaturnim tipalom v zamrzovalnem delu lahko poveča porabo energije aparata. Zato preprečite vsak stik s tipalom/tipali
- Pri nekaterih modelih se nadzorna plošča samodejno izključi 5 minut zatem, ko zaprete vrata. Ko odprete vrata ali pritisnete na katero koli tipko, se bo ponovno akvirirala.
- Zaradi temperaturne spremembe, ki je posledica odpiranja/zapiranja vrat izdelka med delovanjem, je kondenzacija vrat/polic in steklenih vsebnikov običajna.



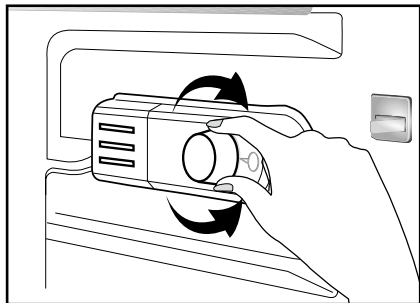
Obračanje vrat

Sledite zaporedju

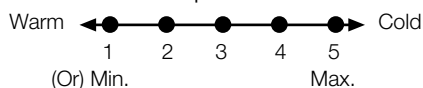




5 Uporaba hladilnika



Delovno temperaturo uravnavate z nadzorom za temperaturo.



1 = Najnižja nastavev hlajenja (Najtoplejša nastavev)

5 = Najvišja nastavev hlajenja (Najhladnejša nastavev)

(ali)

Min. = Najnižja nastavev hlajenja (Najtoplejša nastavev)

Maks. = Najvišja nastavev hlajenja (Najhladnejša nastavev)

Povprečna temperatura znotraj hladilnika naj bi bila okoli +5°C.

Prosimo izberite nastavev, glede na želeno temperaturo.

Delovanje naprave lahko ustavite tako, da gumb termostata zavrtite v položaj "0".

Upoštevajte, da bodo v hladilnih območjih različne temperature.

Najhladnejše območje je takoj nad predelom za zelenjavo.

Notranja temperatura je odvisna tudi od temperature prostora, pogostosti odpiranja vrat in količine shranjenih živil.

Pogosto odpiranje vrat povzroči naraščanje notranje temperature.

Zaradi tega je priporočljivo, da vrata takoj po uporabi zaprete.

Zamrzovanje

Zamrzovanje živil

Zamrzovalni del je označen s simbolom .

Napravo lahko uporabite tako za zamrzovanje svežih živil kot za shranjevanje prej zamrznjenih živil.

Prosimo, glejte priporočila na embalaži živil.

- Pozor

Ne zamrzujte gaziranih pijač, saj lahko steklenica počí, ko tekočina v njej zamrzne.

Bodite pazljivi z zamrznjenimi izdelki kot so obarvane kocke ledu.

Ne presegajte zmogljivosti zamrzovanja vaše naprave v 24-ih urah. Glejte etiketo.

Za vzdrževanje kakovosti živil mora zamrzovanje učinkovati čim hitreje.

Na ta način ne presežete zamrzovalne zmogljivosti in temperatura v zamrzovalniku se ne bo dvignila.

• Pozor

Že zamrznjena živila ločite od sveže zamrznjenih živil.

Pri globokem zamrzovanju vroče hrane bo hladilni kompresor deloval, dokler se hrana v celoti ne zamrzne. To lahko začasno povzroči prekomerno hlajenje hladilnega predela.

Ne skrbite, če vrata zamrzovalnika težko odprete po tem, ko ste jih zaprli. To je zaradi razlike v pritisku. Po nekaj minutah se bo le-ta izenačil in vrata boste lahko normalno odprli.

Ko zaprete vrata boste zaslišali vakuumski zvok. To je običajno.

Izdelava kock ledu

Pladenj za kocke ledu do 3/4 napolnite z vodo in ga postavite v zamrzovalnik.

Takoj, ko se voda spremeni v led lahko vzamete kocke ledu.

Za odstranjevanje ledenih kock nikoli ne uporabljajte ostrih predmetov kot so noži ali vilice. Obstaja nevarnost poškodbe!

Počakajte, da se kocke ledu rahlo stalijo ali na kratko postavite dno pladnja v vročo vodo.

Shranjevanje zamrznjenih živil

Predel za zamrznjena živila je označen s simbolom (**).

Predel za zamrznjena živila je namenjen shranjevanju prej zamrznjenih živil. Priporočila za shranjevanje, ki so navedena na embalaži živil, je treba vedno upoštevati.

Odtajanje naprave

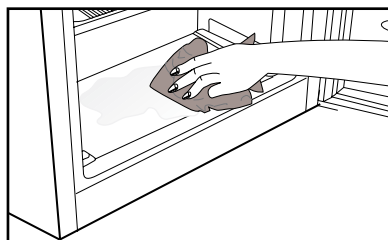
Prekomerno nabiranje ledu bo vplivalo na učinkovitost zamrzovanja vaše naprave.

Zaradi tega vam priporočamo, da napravo odtalite vsaj dvakrat letno ali vsakič, ko nabrani led preseže 7 mm.



Napravo odtalite samo, ko je v njej malo hrane ali pa je prazna.

Globoko zamrznjeno hrano vzamite iz naprave. Globoko zamrznjeno hrano ovijte v več plasti papirja ali odejo in jo shranite v hladen prostor.

Izključite napravo ali izklopite prekinjevalec, da se prične postopek odtajanja.



Iz naprave odstranite opremo (kot so police, predali, itd.) in uporabite primerno posodo za zbiranje odtajane vode.

Za odstranjevanje odtajane vode lahko po potrebi uporabite gobo ali mehko krpo v zamrzovalnem predelu  in predelu za zamrznjena živila. 

Med odtajanjem naj bodo vrata odprta.

Za hitrejšo odtajanje lahko v napravo postavite posode s toplo vodo.

Za odstranjevanje ledu nikoli ne uporabite električnih naprav, razpršilcev za odtajanje ali šilastih ali ostrih predmetov, kot so noži ali vilice.

Po odtajanju očistite notranjost.

Ponovno priključite napravo na napetost. Zamrznjena živila postavite v predale in jih pomaknite v zamrzovalnik.

Hlajenje

Shranjevanje živil

Predel hladilnika je za kratkotrajno shranjevanje svežih živil in pijač.

Mlečne izdelke shranjujte v predelu hladilnika, ki je namenjen za to.

Steklenice lahko shranite v nosilec steklenic ali na polico za steklenice na vratih.

Surovo meso je najboljšo shraniti v polietilenski vreči v predelu na skrajnem dnu hladilnika.

Počakajte, da se vroča živila in pijače ohladijo na sobno temperaturo, preden jih postavite v hladilnik.

• Pozor

Koncentriran alkohol shranjujte v posodi v navpičnem položaju, testno zaprtega.

• Pozor

V napravi ne shranjujte eksplozivnih substanc ali posod z vnetljivimi pogonskimi gorivi (konzervirana krema, razpršilci, itd.).

Obstaja nevarnost eksplozije.

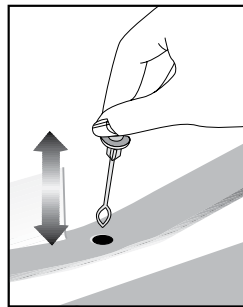
Odtajanje naprave

Predel hladilnika se samodejno odtaja. Odtajana voda teče skozi izpustni kanal v zbiralnik na zadnji strani naprave.

Med odtajanjem se zaradi izhlapevanja na zadnji steni hladilnika ustvarijo vodne kapljice.

Če vse kapljice ne odtečejo, lahko po odtajanju ponovno zamrznejo. Odstranite jih z mehko krpo, navlaženo s toplo vodo. Ne uporabljajte trdih ali ostrih predmetov.

Občasno preverite pretok odtajane vode. Včasih se lahko zamaši. Očistite ga s čistilcem za cevi ali podobnim pripomočkom.



6 Vzdrževanje in čiščenje

- ⚠ Pri čiščenju nikoli ne uporabljajte bencina, benzena ali podobnih snovi.
- ⚠ Priporočamo, da napravo pred čiščenjem izključite iz električnega omrežja.
- ⓘ Za čiščenje ne uporabljajte ostrih abrazivnih predmetov, mila, gospodinjskih čistil, čistilnih sredstev in loščila.
- ⓘ Omarico hladilnika očistite z mlačno vodo in jo do suhega obrišite.
- ⓘ Za čiščenje notranjosti uporabite izžeto krpo, ki ste jo namočili v raztopino ene čajne žličke sode bikarbonata in 500 ml vode ter nato do suhega obrišite.
- ⚠ Preprečite, da bi ohišje luči in ostali električni predmeti prišli v stik z vodo.
- ⚠ Če hladilnika dalj časa ne boste uporabljali, izključite električni kabel, odstranite vsa živila, ga očistite in pustite vrata priprta.
- ⓘ Preverite, da so tesnila na vratih čista in ne vsebujejo delcev živil.
- ⓘ Če želite odstraniti vratne police, jih izpraznite in jih enostavno potisnite navzgor od podlage.
- ⓘ Za čiščenje zunanjih površin in kromiranih delov izdelka ne uporabljajte čistilnih sredstev ali klorirane vode. Klor povzroči korozijo na kovinskih površinah.

- ⓘ Ne uporabljajte ostrih in abrazivnih orodij ali mil, gospodinjskih čistilnih sredstev, detergentov, bencina, benzena, voskov itd., da se s plastičnih delov ne odstranijo napisi in da ne pride do deformacij. Za čiščenje uporabite toplo vodo in mehko krpo in obrišite do suhega.

Zaščita plastičnih površin

- ⓘ Tekočega olja ali na olju kuhanih jedi ne shranjujte v hladilniku v odprtih posodah, saj lahko poškodujejo plastične površine hladilnika. Če na plastičnih površinah razlijete olje ali jih umažete z oljem, jih očistite in splaknite s toplo vodo.

7 Priporočljive rešitve za težave

Prosimo, preglejte ta seznam preden pokličete servisno službo. Lahko Vam prihrani čas in denar. Na seznamu so pogoste pritožbe, ki niso posledica pomanjkljive izdelave ali materiala. Nekatero izmed opisanih značilnosti, morda ne veljajo za vašo napravo.

Hladilnik ne deluje
<ul style="list-style-type: none">• Ali je hladilnik pravilno priključen? Priključite vtič v vtičnico na steni.• Ali je glavna varovalka ali pa varovalka vtičnice v katero je priključen hladilnik pregorela? Preverite varovalko.
Kondenzacija na stranski steni hladilnega dela. (MULTI ZONE, COOL CONTROL in FLEXI ZONE)
<ul style="list-style-type: none">• Zelo hladne prostorske razmere. Pogosto odpiranje in zapiranje vrat. Visoka vlažnost v prostoru. Shranjevanje živil, ki vsebujejo tekočino, v odprtih posodah. Vrata so bila priprta.• Termostat preklopite na hladnejšo stopnjo.• Vrata naj bodo odprta manj časa ali pa jih ne uporabljajte tako pogosto.• Živila, ki so shranjena v odprtih posodah, pokrijte z ustrezno ovojnino.• Kondenzacijo obrišite s suho krpo in preverite, če se ponovi.
Kompresor ne deluje
<ul style="list-style-type: none">• Termična zaščita kompresorja bo med nenadnimi izpadi električnega toka ali pri izključevanju-vključevanju pregorela, saj pritisk hladilnega sredstva v hladilnem sistemu še ni uravnotežen.• Po približno 6 minutah se bo hladilnik zagnal. Če se hladilnik po tem času ne zažene, pokličite servisno službo.• Hladilnik se odtaja. Za hladilnik s popolnoma samodejnim odtajanjem je to običajno. Odtajanje poteka v rednih presledkih.• Hladilnik ni vključen v vtičnico. Prepričajte se, da je vtič dobro priključen v vtičnico.• Ali so temperature pravilno nastavljene? Izpad električnega toka. Pokličite vašega dobavitelja električne energije.

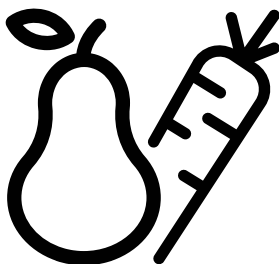
Delovanje hladilnika je pogosto ali traja dalj časa.
<ul style="list-style-type: none"> • Nov hladilnik je širši od prejšnjega. To je običajno. Veliki hladilniki delujejo dalj časa. • Temperatura prostora je lahko visoka. To je normalno. • Hladilnik je bil pred kratkim priključen ali pa je bil prenapolnjen z živili. Popolno ohlajanje hladilnika lahko traja nekaj ur dlje. • V hladilnik so bile nedavno postavljene večje količine toplih živil. Topla živila povzročijo daljše delovanje hladilnika, da dosežejo varno temperaturo za shranjevanje. • Vrata so se pogosto odpirala ali bila dalj časa priprta. Topel zrak, ki je prišel v hladilnik, povzroča daljše delovanje hladilnika. Vrata odpirajte manj pogosto. • Vrata zamrzovalnega ali hladilnega dela so bila priprta. Preverite, če so vrata dobro zaprta. • Hladilnik je nastavljen na zelo nizko temperaturo. Temperaturo hladilnika nastavite na toplejšo stopnjo in počakajte, da jo doseže. • Tesnilo na vratih hladilnika ali zamrzovalnika je umazano, izrabljeno, zlomljeno ali nepravilno nameščeno. Tesnilo očistite ali zamenjajte. Poškodovano/ zlomljeno tesnilo povzroča, da hladilnik deluje dalj časa za vzdrževanje trenutne temperature.
Temperatura zamrzovalnika je zelo nizka, medtem ko je temperatura hladilnika ustrezna.
<ul style="list-style-type: none"> • Temperatura zamrzovalnika je nastavljen na zelo nizko stopnjo. Temperaturo zamrzovalnika nastavite na toplejšo stopnjo in preverite.
Temperatura hladilnika je zelo nizka, medtem ko je temperatura zamrzovalnika ustrezna.
<ul style="list-style-type: none"> • Temperatura hladilnika je nastavljen na zelo nizko stopnjo. Temperaturo hladilnika nastavite na toplejšo stopnjo in preverite.
Živila shranjena v predalih hladilnega dela zamrzujejo.
<ul style="list-style-type: none"> • Temperatura hladilnika je nastavljen na zelo nizko stopnjo. Temperaturo hladilnika nastavite na toplejšo stopnjo in preverite.
Temperature v hladilniku ali zamrzovalniku so zelo visoke.
<ul style="list-style-type: none"> • Temperatura hladilnika je nastavljen na zelo visoko stopnjo. Nastavitev hladilnika vpliva na temperaturo zamrzovalnika. Spremenite temperaturo hladilnika ali zamrzovalnika, da dosežete ustrezno temperaturo. • Vrata so priprta. Dobro zaprite vrata. • V hladilnik so bile nedavno postavljene večje količine toplih živil. Počakajte, da hladilnik ali zamrzovalnik doseže želeno temperaturo. • Hladilnik je bil pred kratkim priključen. Zaradi velikosti hladilnik potrebuje čas, da se popolnoma ohladi.

Hladilnik oddaja zvok, ki je podoben zvoku analogne ure.
<ul style="list-style-type: none"> • Ta zvok oddaja elektromagnetni ventil hladilnika. Elektromagnetni ventil zagotavlja prehajanje hladilnega sredstva, ki ga lahko nastavimo na hladilne ali zamrzovalne temperature oz. hladilne funkcije. To je normalno in ni okvara.
Med delovanjem hladilnika se hrup poveča.
<ul style="list-style-type: none"> • Značilnosti učinkovitosti delovanja hladilnika se lahko spremenijo glede na spremembe temperature prostora. To je običajno in ni napaka.
Tresljaji ali hrup
<ul style="list-style-type: none"> • Neravna ali slabotna tla. Hladilnik se med počasnim premikanjem trese. Prepričajte se, da so tla ravna, močna in primerna podpora za hladilnik. • Hrup lahko povzročajo predmeti, ki so postavljeni na hladilniku. Takšne predmete odstranite z vrha hladilnika.
Hrup podoben prelivanju tekočine ali pršenju.
<ul style="list-style-type: none"> • Način delovanja hladilnika povzroča pretok tekočine in plinov. To je običajno in ni napaka.
Hrup podoben pihanju vetra.
<ul style="list-style-type: none"> • Zračni aktivatorji (ventilatorji) pripomorejo k učinkovitemu hlajenju hladilnika. To je običajno in ni napaka.
Kondenzacija na notranjih stenah hladilnika.
<ul style="list-style-type: none"> • Vroče in vlažno vreme poveča zaledenitev in kondenzacijo. To je običajno in ni napaka. • Vrata so priprta. Prepričajte se, da so vrata popolnoma zaprta. • Vrata so se pogosto odpirala ali bila dalj časa priprta. Vrata odpirajte manj pogosto.
Na zunanji strani hladilnika ali med vrati se pojavi vlaga.
<ul style="list-style-type: none"> • Vlažno vreme. Pri vlažnem vremenu je to običajno. Ko se vlaga zniža, bo kondenzacija izginila.
Neprijeten vonj v hladilniku.
<ul style="list-style-type: none"> • Notranjost hladilnika naj bo čista. Notranjost hladilnika očistite z gobo, toplo ali gazirano vodo. • Vonj povzročajo nekatere posode ali materiali pakiranja. Uporabite druge posode ali drugačno vrsto materialov pakiranja.
Vrata se ne zapirajo.
<ul style="list-style-type: none"> • Ovojnine živil preprečujejo zapiranje vrat. Prestavite pakiranja, ki ovirajo vrata. • Hladilnik ni popolnoma pokončno postavljen na tla in se zatrese ob rahlem premiku. Prilagodite vijake za nastavitvev. • Neravna ali šibka tla. Prepričajte se, da so tla ravna in primerna podpora za hladilnik.
Predali so obtičali.
<ul style="list-style-type: none"> • Živila se dotikajo stropa predala. Ponovno razporedite živila v predalu.

beko

Buzdolabi
Kullanma Kılavuzu

Хладилник
Ръководство за употреба



TSE1284N

CE

TR / BG

58 4198 0000/AB
6/6

Lütfen önce bu kılavuzu okuyun!

Değerli Müşterimiz,

Modern tesislerde üretilen ve titiz kalite kontrol işlemlerinden geçirilen üründen en iyi verimi almanızı istiyoruz.

Kullanma kılavuzu ürünü hızlı ve güvenli bir şekilde kullanmanıza yardımcı olur.

- Güvenlikle ilgili talimatlara mutlaka uyun.
- Daha sonra ihtiyacınız olabileceği için kullanma kılavuzunu kolay ulaşabileceğiniz bir yerde saklayın.
- Ürünle birlikte verilen diğer belgeleri de okuyun.
- Üretici ürün üzerinde değişiklik yapma hakkını saklı tutar.

Bu kullanma kılavuzunun başka modeller için de geçerli olabileceğini unutmayın.

Semboller ve açıklamaları

Kullanma kılavuzunda şu semboller yer almaktadır:

	Önemli bilgiler veya faydalı ipuçları.
	Can ve mal tehlikesi.
	Elektrik çarpması riski.
	Ürünün ambalajı, Ulusal Çevre Mevzuatımız gereği geri dönüştürülebilir malzemelerden üretilmiştir.

1 Güvenlik ve Çevre Talimatları 3

- 1.1. Genel Güvenlik 3
- 1.1.1 HC Uyarısı 5
- 1.1.2 Su Pınarlı Modeller İçin 6
- 1.2. Kullanım Amacı 6
- 1.3. Çocuk Güvenliği 7
- 1.4. AEEE Yönetmeliğine Uyum ve Atık Ürünün Elden Çıkarılması 7
- 1.5. Ambalaj Bilgisi 7

2 Buzdolabınız 8

3 Kurulum 9

- 3.1. Kurulum İçin Doğru Yer 9
- 3.2. Elektrik Bağlantısı 9
- 3.3. Ayakların Ayarlanması 9

4 Ön hazırlık 10

- 4.1. Enerji tasarrufu için yapılması gerekenler . . 10
- 4.2. İlık kullanım 10

5 Soğutucunuzun/dondurucunuzun kullanımı 11

- Yiyeceklerin dondurulması 11
- Buz küpleri üretimi 12
- Cihazınızın buzlarının çözülmesi 12
- Soğutma 12
- Gıda saklama 12
- Cihazınızın buzlarının çözülmesi 13
- Aydınlatma Lambasının değiştirilmesi 13

6 Bakım ve temizlik 14

- 6.1. Kötü Kokuların Önlenmesi 14
- 6.2. Plastik Yüzeylerin Korunması 14

7 Sorun Giderme 15

8 Tüketici hizmetleri 18

Bu bölümde, yaralanma ya da maddi hasar riskini ortadan kaldıracak gerekli güvenlik talimatları yer almaktadır.

Bu talimatlara uyulmaması halinde ürün her türlü garanti kapsamından çıkacaktır.

Kullanım amacı

	<p>UYARI: Cihaz muhafazasındayken veya yerleştirildiğinde havalandırma deliklerinin kapanmadığından emin olun.</p>
	<p>UYARI: Buz çözme işlemini hızlandırmak amacıyla üretici tarafından yapılan öneriler dışında herhangi bir mekanik cihaz veya başka bir cihaz kullanmayın.</p>
	<p>UYARI: Soğutucu akışken devresine hasar vermeyin.</p>
	<p>UYARI: Cihazın yiyecek saklama bölümleri içinde üretici tarafından önerilmeyen elektrikli cihazlar kullanmayın.</p>

- Mağazalarda, ofislerde ve diğer çalışma ortamlarındaki personel mutfağında kullanılmak üzere;

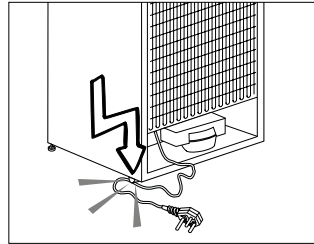
- Çiftlik evlerinde ve otellerde, motellerde ve konaklama yapılan diğer ortamlarda müşteriler tarafından kullanılmak üzere.

- pansiyon türü ortamlarda;

- yemek hizmeti ve perakendeci olmayan benzer uygulamalarda.

1.1. Genel Güvenlik

- Bu ürün, fiziksel, duyuusal, zihinsel engelleri bulunan; tecrübe ve bilgi eksikliği olan kişilerin ve çocukların kullanımına uygun değildir. Cihazın bu kişilerce kullanımı ancak bu kişilerin güvenliğinden sorumlu



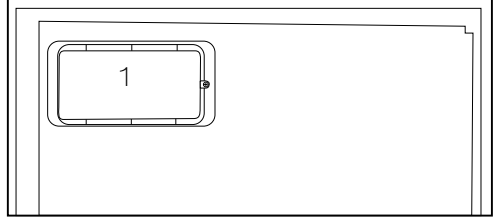
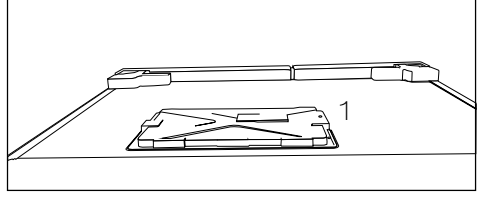
Bu cihaz evde veya aşağıdaki benzer uygulamalar için kullanılmak üzere tasarlanmıştır

birinin gözetimi altında gerekli talimatların verilmesi durumunda uygundur.

Güvenlik ve çevre talimatları

Çocukların cihaz ile oynaması sakıncalıdır.

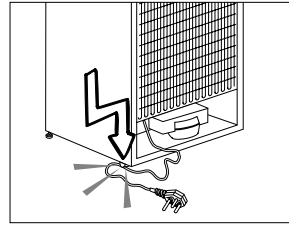
- Çalışırken arıza yapması durumunda ürünü fişten çekin.
- Ürünün fişini prizden çektikten sonra, fişi tekrar takmak için en az 5 dakika bekleyin.
- Ürün kullanımda değilse fişini çekin.
- Fişe ıslak ellerle kesinlikle dokunmayın! Fişi çekmek için kablosundan tutmayın, her zaman fişten tutarak çekin.
- Priz gevşekse buzdolabının fişini prize takmayın.
- Kurulum, bakım, temizlik ve tamir işlemleri sırasında ürünün fişini prizden çekin.
- Ürün uzun süre kullanılmayacaksa fişini elektrik prizinden çekin ve içindeki yiyecekleri çıkarın.
- Ürününüzün üst veya arka bölümünde bulunan ve içinde elektronik kartların bulunduğu bölme (elektronik kart kutusu kapağı) (1) açıkken ürün kesinlikle kullanılmamalıdır.



- Buzdolabındaki temizleme ve eritme işlemi için kesinlikle buhar veya buharlı temizlik malzemeleri kullanmayın. Buhar, buzdolabındaki elektrikli bölgelere temas ederek kısa devre veya elektrik çarpmasına neden olur!
- Ürünü üzerine su püskürterek veya su dökerek kesinlikle yıkamayın! Elektrik çarpma tehlikesi vardır!
- Elektrik çarpma riski olduğu için ürün arızalı iken kesinlikle çalıştırılmamalıdır. Yetkili servisle iletişime geçmeden herhangi bir işlem yapmayın.

Güvenlik ve çevre talimatları

- Ürünü, topraklı bir prize bağlayın. Topraklama tesisatı uzman bir elektrikçi tarafından yapılmalıdır.
- Ürününüzde led tipi aydınlatma var ise;değiştirileceği zaman veya herhangi bir sorunda yetkili servisi çağırınız.
- Dondurulmuş yiyeceklere ıslak elle dokunmayın! Elinize yapışabilirler!
- Şişe ve kutulardaki sıvı içecekleri dondurucu bölümüne koymayın. Patlayabilirler!
- İçecekleri, ağızları sıkı bir şekilde kapalı ve dik olarak yerleştirin.
- Yangın veya patlama riski olduğu için, ürünün yakınında yanıcı spreyle püskürtmeyin.
- Yanıcı ve yanıcı gaz içeren ürünleri (sprey vb.) ve patlayıcı maddeleri buzdolabında saklamayın.
- Ürünün üstüne içi sıvı dolu kaplar koymayın. Elektrikli bir parçanın üzerine su sıçrarsa elektrik çarpması ve yangın riski ortaya çıkar.
- Ürünü yağmur, kar, güneş ve rüzgâra maruz bırakmak elektrik güvenliği açısından tehlikelidir.Ürününüzün yerini değiştirirken kapı sapından tutarak çekmeyin. Sap yerinden çıkabilir.
- Ürünün içinde bulunan hareketli aksamalara elinizi veya vücudunuzun herhangi bir kısmını sıkıştırmamaya dikkat edin.
- Buzdolabındaki kapı ve çekmece gibi kısımları kesinlikle destek veya basamak olarak kullanmayın. Ürünün devrilmesine veya aksamalarının zarar görmesine neden olursunuz.
- Şebeke kablosunun ezilmemesine dikkat edin.



1.1.1 HC Uyarısı

Ürün R600a gazı içeren soğutma sistemine sahipse kullanım ve taşıma sırasında soğutma sisteminin ve

boruların zarar görmemesine dikkat edin. Bu gaz yanıcıdır. Soğutma sistemi zarar görmüşse, ürünü, sistemin alev almasına neden olabilecek potansiyel kaynaklardan uzak tutun ve ürünün bulunduğu odayı hemen havalandırın.



Ürünün hangi gazla üretildiği bilgisi ürünün sol iç kısmındaki etikette yer alır.

1.1.2 Su Pınarlı Modeller için

- Soğuk su girişi için basınç maksimum 90 PSi (6.2 bar) olmalıdır. Eğer su basıncınız 80PSi (5,5 bar) değerini aşıyor ise şebeke sisteminizde basınç limitleme valfi kullanınız. Eğer su basıncınızı nasıl kontrol edeceğinizi bilmiyorsanız profesyonel tesisatçılardan yardım alınız.
- Eğer tesisatınızda su darbesi etkisi görülme riski varsa tesisatınızda mutlaka su darbesi önleyici ekipman kullanınız. Eğer su darbesinin yokluğundan emin değilseniz profesyonel tesisatçılardan yardım alınız.

- Sıcak su girişine montaj yapmayınız. Hortumların donma riskine karşı önlem alınız. Su sıcaklığı çalışma aralığı minimum 33°F (0.6°C) , maksimum 100°F (38°C) olmalıdır.
- Yalnızca içme suyu kullanın.

1.2. Kullanım Amacı

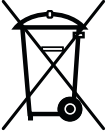
- Bu ürün evde kullanılmak üzere tasarlanmıştır. Ticari amaçlı kullanıma uygun değildir.
- Ürün, yalnızca yiyecek ve içecek saklanması için kullanılmalıdır.
- Hassas sıcaklık kontrolü gerektiren ürünleri (aşı, ısıya duyarlı ilaç, tıbbi malzemeler vb.) buzdolabında saklamayın.
- Üretici, hatalı kullanım veya taşıma nedeniyle oluşan herhangi bir zarardan dolayı sorumluluk kabul etmez.
- Ürünün satın alma tarihinden itibaren 10 yıl boyunca orjinal yedek parçalar sağlanacaktır.

1.3. Çocuk Güvenliği

- Ambalaj malzemeleri çocuklar için tehlikeli olduğundan ulaşamayacakları bir yerde bulunmalıdır.
- Çocukların ürünle oynamalarına izin vermeyin.
- Ürünün kapısında kilit varsa, anahtar çocukların ulaşamayacağı bir yerde muhafaza edilmelidir.

1.4. AEEE Yönetmeliğine Uyum ve Atık Ürünün Elden Çıkarılması

Bu ürün, T.C. Çevre ve Şehircilik Bakanlığı tarafından yayımlanan "Atık Elektrikli ve Elektronik Eşyaların Kontrolü Yönetmeliği"nde belirtilen zararlı ve yasaklı maddeleri içermez. AEEE Yönetmeliğine uygundur.



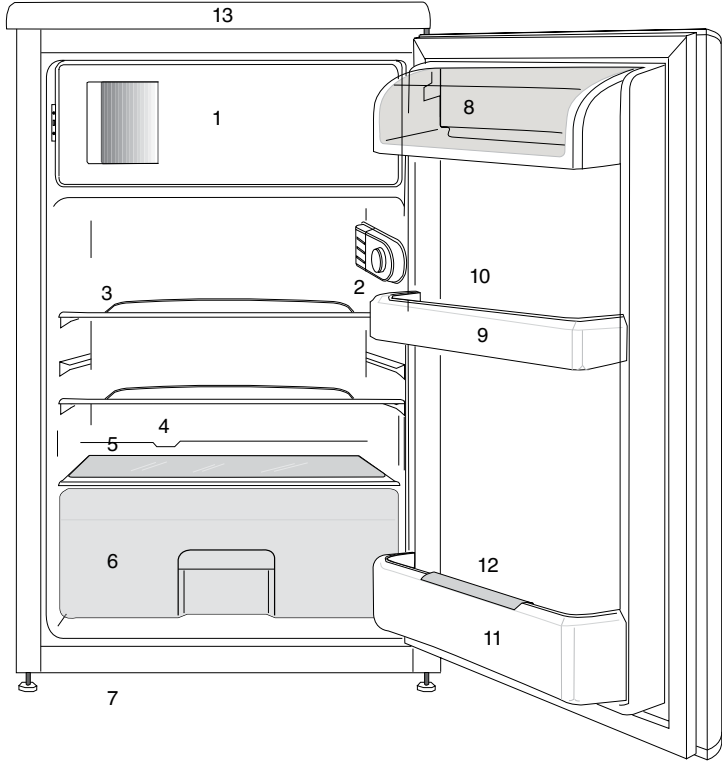
Bu ürün, geri dönüşümlü ve tekrar kullanılabilir nitelikteki yüksek kaliteli parça ve malzemelerden üretilmiştir. Bu nedenle ürünü, kullanım ömrünün sonunda evsel veya diğer atıklarla birlikte atmayın. Elektrikli ve elektronik cihazların geri dönüşümü için bir

toplama noktasına götürün. Bu toplama noktalarını bölgenizdeki yerel yönetimden öğrenebilirsiniz. Kullanılmış ürünleri geri dönüşüme vererek çevrenin ve doğal kaynakların korunmasına yardımcı olabilirsiniz. Ürünü atmadan önce çocukların güvenliği için elektrik fişini kesin ve kapıda kilit varsa çalışmaz duruma getirin.

1.5. Ambalaj Bilgisi

- Ürünün ambalajı, Ulusal Mevzuatımız gereği geri dönüştürülebilir malzemelerden üretilmiştir. Ambalaj atığını evsel veya diğer atıklarla birlikte atmayın, yerel yönetiminin belirttiği ambalaj toplama noktalarına atın.

2 Buzdolabınız



1. a.) Dondurucu bölüm ve buzluk (❄️❄️❄️ modellerde b.)Dondurulmuş yiyecek ve buzluk (❄️❄️ modellerde)
2. Aydınlatma Lambası ve Sıcaklık Ayar Düğmesi
3. Hareketli Raflar
4. Buz çözme suyu toplama kanalı-Tahliye borusu
5. Sebzelik örtüsü
6. Sebzelik




7. Ayarlı Ayaklar
8. Tereyağ peynir bölmeleri
9. Kapı Rafı
10. Yumurtalık
11. Şişe rafı
12. Şişe Tutucu
13. Üst tabla



Bu kullanma kılavuzunda yer alan şekiller örnek olarak verilmiş olup ürününüzle birebir aynı olmayabilir. Satın almış olduğunuz üründe ilgili parçalar yoksa, şekil başka modeller için geçerlidir.




3.1. Kurulum İçin Doğru Yer

Ürünün kurulumu için Yetkili Servisi arayın. Ürünü kullanıma hazır duruma getirmek için, kullanma kılavuzundaki bilgilere bakarak elektrik tesisatı ve su tesisatının uygun olmasına dikkat edin. Değilse ehliyetli bir elektrikçi ve tesisatçı çağırarak gerekli düzenlemeleri yaptırın.

	UYARI: Yetkili olmayan kişilerce yapılan işlemlerin neden olabileceği zararlardan üretici firma sorumlu değildir.
	UYARI: Kurulum esnasında ürünün elektrik fişi prize takılı olmamalıdır. Aksi halde ölüm ya da ciddi yaralanma tehlikesi vardır!
	UYARI: : Ürünün yerleştirileceği odanın kapı aralığı, ürünün geçemeyeceği kadar darsa odanın kapısını çıkarıp ürünü yan çevirerek geçirin; olmuyorsa yetkili servisi arayın.

- Sarsıntıları önlemek için ürünü düz bir zemine yerleştirin.
- Ürünü ocak, kalorifer peteği ve soba gibi ısı kaynaklarından en az 30 cm, elektrikli fırınlardan en az 5 cm uzağa kurun.
- Ürünü doğrudan güneş ışığına maruz bırakmayın ve rutubetli yerde bulundurmayın.
- Ürünün verimli çalışabilmesi için çevresinde uygun bir hava dolaşımı olmalıdır. Ürünü duvara girintili bir yere yerleştirilecekseniz tavanla ve yan duvarlarla arasında en az 5 cm boşluk olmasına dikkat edin.

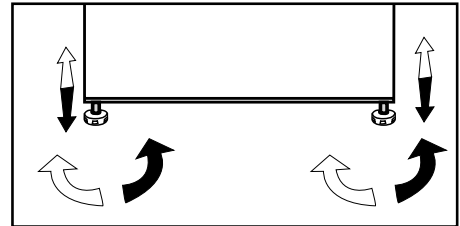
3.2. Elektrik Bağlantısı

	UYARI Uzatma kabloları ya da çoklu prizlerle bağlantı yapmayın.
	UYARI Hasar görmüş elektrik kablosu Yetkili Servis tarafından değiştirilmelidir.
	İki soğutucu yan yana yerleştiriliyorsa aralarında en az 4 cm boşluk bırakılmalıdır.

- Ürünün ulusal yönetmeliklere uygun topraklama ve elektrik bağlantısı yapılmadan kullanılması halinde ortaya çıkacak zararlardan firmamız sorumlu olmayacaktır.
- Elektrik kablosunun fişi, kurulumdan sonra kolay erişilebilir olmalıdır.
- Buzdolabınız ile duvar prizi arasında uzatma kablolu veya kablolu çoklu grup priz kullanmayınız.

3.3. Ayakların Ayarlanması

Ürün, yerleştirdiğiniz yerde dengesiz duruyorsa öndeki ayaklarınızı sağa veya sola döndürerek ayarlayın.



4.1. Enerji tasarrufu için yapılması gerekenler



Ürünün elektronik enerji tasarruf sistemlerine bağlanması, ürüne zarar verebileceği için sakıncalıdır.

- Ürünün kapılarını uzun süre açık tutmayın.
- Ürüne sıcak yiyecek ya da içecek koymayın.
- Ürünü aşırı doldurmayın. İçerideki hava akımı engellendiğinde soğutma kapasitesi düşer.
- Yiyeceklerinizi ürüne kapalı kaplarda koyun.
- Dondurulmuş yiyecekleri soğutucu bölmede çözdürmeniz, hem enerji tasarrufu sağlayacak hem de yiyeceğin kalitesini koruyacaktır.
- Enerji tasarrufu sağlamak ve gıdaları daha iyi ortamda korumak ve için soğutma bölümündeki çekmeceler kullanılarak gıdalar saklanmalıdır.
- Dondurucu bölme yer alan sıcaklık sensörü ile gıda paketlerinin doğrudan teması engellenmelidir. Sensör ile temas olması halinde cihazın enerji tüketiminde artış görülebilir.

4.2. İlk kullanım

Buzdolabınızı kullanmaya başlamadan önce, “Güvenlik ve çevre talimatları” ve “Kurulum” bölümündeki talimatlara uygun hazırlıkların yapıldığından emin olun.

- Ürünü 6 saat boyunca yiyecek koymadan boş olarak çalıştırın ve kapısını çok gerekmedikçe açmayın.

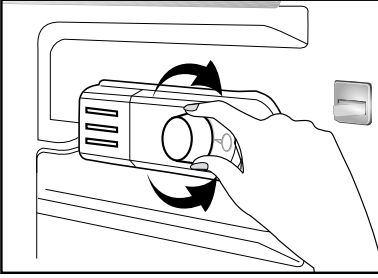


Kompresör çalışmaya başladığında bir ses duyacaksınız. Soğutma sistemi içerisindeki sıkışmış sıvı ve gazlar, kompresör çalışmıyor olsa da ses çıkarabilir ve bu normaldir.

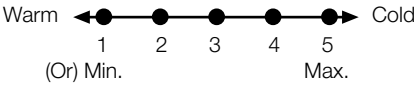


Ürünün ön kenarları sıcak olabilir. Bu normaldir. Bu alanlar, yoğuşmayı önlemek için ısınacak şekilde tasarlanmıştır.

5 Soğutucunuzun/dondurucunuzun kullanımı



Çalışma sıcaklığı, sıcaklık kontrolü ile ayarlanır.



1 = En düşük soğutma ayarı (En sıcak ayar)

5 = En yüksek soğutma ayarı (En soğuk ayar)
(Veya)

Min. = En düşük soğutma ayarı
(En sıcak ayar)

Maks. = En yüksek soğutma ayarı
(En soğuk ayar)

Soğutucu bölmenin içindeki ortalama sıcaklık +4°C civarında olmalıdır.

Tavsiye edilen termostat döner düğmesi konumu 4'tür. 10 °C gibi soğuk ortam koşullarında ise 1'e ayarlanması önerilir.

Lütfen istenen sıcaklığa göre bir ayar seçin. Termostat düğmesini "0" konumuna getirerek cihazın çalışmasını durdurabilirsiniz.

Soğutma alanında farklı sıcaklıklar olacağını lütfen unutmayın.


En soğuk bölge, sebzelik kapağının üzerindeki sebze bölmesinin hemen üstündedir.

İç sıcaklık aynı zamanda ortam sıcaklığına, kapının ne sıklıkta açıldığında ve içinde saklanan gıda miktarına bağlıdır.

Kapağın sık açılması, iç sıcaklığın yükselmesine neden olur.

Bu nedenle, kapağı herhangi bir nedenle açtıktan sonra en kısa sürede kapatmanız tavsiye edilir.

Yiyeceklerin dondurulması

Dondurucu bölümü,  sembolü ile işaretlenmiştir.

Cihazı dondurulmuş gıdaları saklamanın yanında taze gıdaları dondurmak için de kullanabilirsiniz. Lütfen gıda ambalajında belirtilen tavsiyelere uyun.

• Dikkat

Sıvı donduğunda şişe patlayabileceği için gazlı içecekleri dondurmayın.

Renkli buz küpleri gibi donmuş ürünlerde dikkatli olun.

Gıdanın kalitesini korumak için dondurma işlemi en kısa sürede başlatılmalıdır.

• Dikkat

Dondurulmuş yiyecekleri daima yeni yerleştirilen yiyeceklerden ayrı tutun.

Sıcak yiyecekleri derin dondururken gıda tamamen donuncaya kadar soğutma kompresörü çalışmaz. Bu, soğutucu bölümünün geçici olarak aşırı şekilde soğumasına yol açar.

Kapattıktan hemen sonra dondurucu kapısı zor açılıyorsa endişelenmeyin. Bunun nedeni basınç farkıdır. Birkaç dakika içinde bu fark dengelenir ve kapı normal bir şekilde açılabilir.

Kapıyı kapattıktan sonra bir vakum sesi duyarsınız. Bu gayet normaldir.

Ürünün kullanımı

Buz küpleri üretimi

Buz kalıbını 3/4 oranında su ile doldurarak dondurucuya yerleştirin.

Su buza dönüştüğü zaman buz küplerini alabilirsiniz.

Buzları kazımak için kesinlikle bıçak ya da çatal gibi keskin nesnelere kullanmayın. Yaralanma riski vardır!

Bunun yerine buzların biraz erimesini bekleyin ve kısa süreyle tepsinin tabanını sıcak suya koyun.

Cihazınızın buzlarının çözülmesi

Aşırı buz birikimi, ürününüzün performansını etkileyecektir.



Bu nedenle, ürünün buzunu yılda en az iki kez veya buzlanma miktarı 7 mm'yi aştığında çözmeniz önerilir.

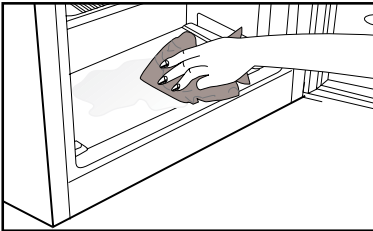
Ürününüzün buzunu içerisinde yiyecek yokken veya çok az yiyecek varken çözün.

Derin dondurulmuş yiyecekleri çıkartın. Derin dondurulmuş gıdaları birkaç kat kağıda veya battaniyeye sarıp soğuk bir yerde saklayın.

Buz çözme işlemi başlatmak için ürünün fişini çekin veya sigortayı kapatın.

Ürünün aksesuarlarını (raf, çekmece vb.) çıkartın ve eriyen suyu uygun bir kaba alın.

Gerekirse dondurucu bölmesindeki  ve donmuş gıda bölmesindeki  eriyen suyu almak için sünger veya yumuşak bir bez kullanın



Buz çözme işlemi sırasında kapıyı açık tutun. Buz çözme işlemi hızlandırmak için, cihazın içine ılık su dolu kaplar yerleştirin.

Buzlu temizlemek için asla elektrikli aletler, buz çözme spreyleri veya bıçak ya da çatal gibi keskin ya da sivri uçlu nesnelere kullanmayın.

Buz çözme işlemi tamamlandığında iç kısmı temizleyin.

Cihazı şebekeye bağlayın. Dondurulmuş yiyecekleri çekmecelere yerleştirin ve çekmeceleri dondurucunun içine itin.

Soğutma Gıda saklama

Soğutucu bölümü taze yiyeceklerin ve içeceklerin kısa vadeli depolanmaları içindir. Süt ürünlerini soğutucu/dondurucuda bulunan özel bölmede saklayın.

Şişeler şişe tutucuda veya kapıdaki şişe rafında saklanabilir.

Çiğ et en iyi soğutucu/dondurucunun en altındaki bölmede polietilen bir torbada saklanır.

Sıcak yiyecek ve içecekleri soğutucu/dondurucuya koymadan önce oda sıcaklığına soğumalarını bekleyin.

• Dikkat

Konsantre alkolü sadece dik ve sıkıca kapatılmış şekilde saklayın.

Ürünün kullanımı

• Dikkat

Yanıcı maddeleri veya yanıcı gazlar (ör. konserce kremalar, sprey kutuları vs.) içeren kapları asla cihazda saklamayın. Patlama tehlikesi vardır.

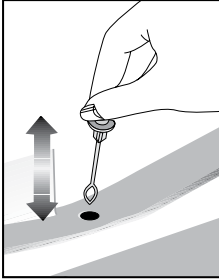
Cihazınızın buzlarının çözülmesi

Soğutucu bölmesindeki buzlar otomatik olarak çözülür. Çözülen buzlardan çıkan su, tahliye kanalından cihazın arka kısmındaki bir toplama kabına akar.

Buzun çözülmesi esnasında, buharlaşma nedeniyle soğutucu bölmesinin arka duvarında su damlacıkları oluşabilir.

Damlaların hepsi aşağı süzülmezse buz çözme işleminden sonra yeniden donabilirler. Dolayısıyla bu bölgeyi nemli bir bezle iyice temizleyin. Sert veya keskin nesnelere kullanmayın.

Çözülmüş buzun su akışını zaman zaman kontrol edin. Kimi zaman akış kesilebilir. Bu gibi bir durumda bir doru temizleyicisi veya benzeri bir araçla aşağıda gösterildiği şekilde bu bölgeyi temizleyin.



Aydınlatma Lambasının değiştirilmesi

Aydınlatma lambası olarak led tipi lamba kullanılmaktadır. Bu lamba ile ilgili herhangi bir sorunda yetkili servisi çağırın.

Bu cihazda kullanılan lamba(lar) evde aydınlatma amaçlı kullanılamaz. Bu lambanın kullanım amacı güvenli ve rahat bir şekilde buzdolabı / dondurucu besinleri yerleştirmek için kullanıcıya yardımcı olmaktır.

Bu üründe kullanılan lambalar -20°C gibi aşırı fiziksel koşullara karşı dayanıklı olmalıdır. (Sadece dik dondurucu ürünler içindir.)

Ürünün düzenli temizlenmesi halinde kullanım ömrü uzar.



UYARI: Buzdolabınızı temizlemeden önce elektrik bağlantısını kesin.

- Temizlik için keskin ve aşındırıcı aletler, sabun, ev temizlik maddeleri, deterjan, gaz, benzin, cila vb. maddeler kullanmayın.
- Bir çay kaşığı karbonatı yarım litre suda eritin. Bir bezi bu sıvıyla ıslatıp iyice sıkın. Bu bezle cihazınızın içini silin ve ardından iyice kurulayın.
- Lamba muhafazasına ve diğer elektrikli kısımlara su girmemesine dikkat edin.
- Kapıyı nemli bir bez ile temizleyin. Kapı ve gövde raflarını çıkarmak için içindekilerin tümünü alın. Kapı raflarını yukarı doğru kaldırarak çıkarın. Temizleyip kuruladıktan sonra yukarıdan aşağıya doğru kaydırarak yerine takın.
- Ürünün dış yüzey temizliğinde ve krom kaplı parçaların temizliğinde asla klor içeren su ya da temizlik maddesi kullanmayınız. Klor, bu tür metal yüzeylerde paslanmaya neden olur.
- Plastik parça üzerindeki baskıların kalkmaması ve deforme olmaması için keskin, aşındırıcı aletler, sabun, ev temizlik maddeleri, deterjan, gaz, benzin, cila vb. maddeler kullanmayın. Temizlik için ılık su ile yumuşak bez kullanın ve kurulayın.

6.1. Kötü Kokuların Önlenmesi

Ürününüzün üretiminde kokuya neden olacak hiçbir madde kullanılmamaktadır. Ancak uygun olmayan yiyecek saklamaya ve ürün iç yüzeyinin gerektiği şekilde temizlenmemesine bağlı olarak koku ortaya çıkabilir.

Bu sorunu önlemek için 15 günde bir karbonatlı suyla temizleyin.

- Yiyecekleri kapalı kaplarda saklayın. Ağız açık saklanan gıdalardan yayılan mikroorganizmalar kötü kokuya neden olur.
- Saklama süresi dolan ve bozulan gıdaları kesinlikle buzdolabınızda saklamayın.



Çay bilinen en iyi koku alıcılarından biridir. Demlemiş olduğunuz çay posasını ağız açık bir kap içinde ürünün içine yerleştirin ve en geç 12 saat sonra alın. Çay posasını ürünün içinde 12 saatten fazla tutarsanız, kokuya sebep olan organizmaları bünyesinde toplayacağı için kokunun kaynağı haline gelebilir.

6.2. Plastik Yüzeylerin Korunması

Plastik yüzeylere yağ dökülmesi durumunda yüzeye zarar verebileceği için ılık suyla hemen temizlenmelidir.

Servis çağırmadan önce, bu listeyi gözden geçirin. Bunu yapmak sizi zaman ve para kaybından kurtarır. Bu liste sık rastlanabilecek, hatalı işçiliğe ya da malzeme kullanımına bağlı olmayan şikayetleri içerir. Bahsedilen bazı özellikler ürününüzde olmayabilir.

Buzdolabı çalışmıyor.

Fiş prize tam oturmamıştır. >>> *Fiş prize tam oturacak şekilde takın.*

- Ürünün bağılandığı prizin sigortası ya da ana sigorta atmıştır. >>> *Sigortayı kontrol edin.*

Soğutucu bölmenin (MULTI ZONE, COOL CONTROL ve FLEXI ZONE) yan duvarında terleme.

- Kapı çok sık açılıp kapanmıştır. >>> *Ürünün kapısını çok sık açıp kapamamaya dikkat edin.*
- Ortam çok nemlidir. >>> *Ürünü çok nemli ortamlara kurmayın.*
- Sıvı içeren yiyecekler açık kapılarda saklanıyor olabilir. >>> *Sıvı içeren yiyecekleri kapalı kapılarda saklayın.*
- Ürünün kapısı açık kalmıştır. >>> *Ürünün kapısını uzun süre açık tutmayın.*
- Termostat çok soğuk bir değere
- ayarlanmıştır. >>> *Termostatı uygun değere ayarlayın.*

Kompresör çalışmıyor

- Ani elektrik kesilmesinde veya fişin çıkarılıp takılmasında, ürün soğutma sistemindeki gazın basıncı henüz dengelenmemiş olduğu için kompresör koruyucu termiği atar. Yaklaşık 6 dakika sonra ürün çalışmaya başlayacaktır. Bu süre sonunda ürün çalışmaya başlamazsa servis çağırın.
- Buz çözme devresindedir. >>> *Tam otomatik buz çözme yapan bir ürün için bu normaldir. Buz çözme döngüsü periyodik olarak gerçekleşir.*
- Ürünün fişi prize takılı değildir. >>> *Fişin prize takılı olduğundan emin olun.*
- Sıcaklık ayarları doğru yapılmamıştır. >>> *Uygun sıcaklık ayarını seçin.*
- Elektrik kesilmiştir. >>> *Elektrik geldiğinde ürün normal şekilde çalışmaya devam edecektir.*

Buzdolabı çalışırken çalışma sesi artıyor.

- Ortam sıcaklığının değişmesine bağlı olarak ürünün çalışma performansı değişebilir. Bu normaldir ve bir arıza değildir.

Buzdolabı çok sık ya da çok uzun süre çalışıyor.

- Yeni ürün, eskisinden daha geniş olabilir. Daha büyük ürünler daha uzun süre çalışır.
- Oda sıcaklığı yüksek olabilir. >>> *Sıcak ortamlarda daha uzun süre çalışması normaldir.*
- Ürünün fişi daha yeni takılmış ya da yeni yiyecek koyulmuş olabilir. >>> *Fiş yeni takıldığında ya da yeni yiyecek konulduğunda ürünün ayarlanan sıcaklığa ulaşması daha uzun zaman alır. Bu durum normaldir.*
- Ürüne yakın zamanda fazla miktarlarda sıcak yemek konmuş olabilir. >>> *Ürüne sıcak yemek koymayın.*
- Kapılar sık sık açılmış ya da uzun süre açık kalmıştır. >>> *İçeri giren sıcak hava ürünün daha uzun çalışmasına neden olur. Kapıları çok sık açmayın.*
- Dondurucu ya da soğutucu kapısı aralık kalmış olabilir. >>> *Kapıların tamamen kapalı olup olmadığını kontrol edin.*
- Ürün çok düşük bir sıcaklığa ayarlanmıştır. >>> *Ürünün sıcaklığını daha yüksek bir dereceye ayarlayın ve bu sıcaklığa ulaşmasını bekleyin.*
- Soğutucu ya da dondurucu kapı contası kirlenmiş, eskimemiş, kırılmış ya da tam oturmamış olabilir. >>> *Contayı temizleyin ya da değiştirin. Hasarlı / kopuk kapı contası ürünün mevcut sıcaklığı korumak için daha uzun süre çalışmasına neden olur.*

Sorun giderme

Dondurucu sıcaklığı çok düşük ama soğutucu sıcaklığı yeterli.

- Dondurucu bölme sıcaklığı çok düşük bir değere ayarlanmıştır. >>> *Dondurucu bölme sıcaklığını daha yüksek bir dereceye ayarlayıp kontrol edin.*

Soğutucu sıcaklığı çok düşük ama dondurucu sıcaklığı yeterli.

- Soğutucu bölme sıcaklığı çok düşük bir değere ayarlanmıştır. >>> *Soğutucu bölme sıcaklığını daha yüksek bir dereceye ayarlayıp kontrol edin.*

Soğutucu bölme çekmecelerinde saklanan yiyecekler donuyor.

- Soğutucu bölme sıcaklığı çok düşük bir değere ayarlanmıştır. >>> *Soğutucu bölme sıcaklığını daha yüksek bir değere ayarlayıp kontrol edin.*

Soğutucu ya da dondurucudaki sıcaklık çok yüksek.

- Soğutucu bölme sıcaklığı çok yüksek bir değere ayarlanmış olabilir. >>> *Soğutucu bölme sıcaklık ayarının dondurucu bölme sıcaklığı üzerinde etkisi vardır. Soğutucu ya da dondurucu bölme sıcaklığını değiştirerek ilgili bölmelerin sıcaklığı yeterli seviyeye gelene kadar bekleyin.*
- Kapılar sık açılmış ya da uzun süre açık kalmıştır. >>> *Kapıları çok sık açmayın.*
- Kapı aralık olabilir. >>> *Kapıyı tamamen kapayın.*
- Ürünün fişi daha yeni takılmış ya da yeni yiyecek konulmuş olabilir. >>> *Bu normaldir. Fiş yeni takıldığında ya da yeni yiyecek konulduğunda ürünün ayarlanan sıcaklığa ulaşması normalden daha uzun zaman alır.*
- Ürüne yakın zamanda fazla miktarlarda sıcak yemek konmuş olabilir. >>> *Ürüne sıcak yemek koymayın.*

Sarsılma ya da gürültü.

- Zemin düz veya dayanıklı değildir. >>> *Ürün yavaşça hareket ettirildiğinde sallanıyorsa ayaklarını ayarlayarak ürünü dengeleyin. Ayrıca zeminin ürünü taşıyabilecek kadar dayanıklı olmasına dikkat edin.*
- Ürünün üzerine konulmuş eşyalar gürültü yapıyor olabilir. >>> *Ürünün üzerinde bulunan eşyaları kaldırın.*

Üründen sıvı akması, püskürmesi vb. sesler geliyor.

- Ürünün çalışma prensipleri gereği sıvı ve gaz akışları gerçekleşmektedir. >>> *Bu normaldir ve bir arıza değildir.*

Üründen rüzgar sesi geliyor.

- Ürünün soğutma işlemini gerçekleştirebilmesi için fan kullanılmaktadır. Bu normaldir ve bir arıza değildir.

Ürünün iç duvarlarında terleme oluyor.

- Havanın sıcak ve nemli olması buzlanmayı ve yoğunlaşmayı artırır. *Bu normaldir ve bir arıza değildir.*
- Kapılar sık açılmış ya da uzun süre açık kalmıştır. >>> *Kapıları çok sık açmayın, açıksa kapayın.*
- Kapı aralık olabilir. >>> *Kapıyı tamamen kapayın.*

Ürünün dışında ya da kapıların arasında terleme oluşuyor.

- Hava nemli olabilir, nemli havalarda bu gayet normaldir. >>> *Nem azaldığında yoğunlaşma kaybolur.*

Sorun giderme

Ürünün içi kötü kokuyor.

- Düzenli temizlik yapılmamıştır. >>> Ürünün içini sünger, ılık su veya karbonatlı suyla düzenli olarak temizleyin.
- Bazı kaplar ya da paketleme malzemeleri koku yapabilir. >>> Koku yapmayan kap ya da paketleme malzemesi kullanın.
- Yiyecekler ürüne ağzı açık kaplarda konulmuştur. >>> Yiyecekleri kapalı kaplarda saklayın. Ağzı açık saklanan yiyeceklerden yayılan mikroorganizmalar kötü kokulara neden olabilir.
- Saklama süresi dolan ve bozulan yiyecekleri üründen çıkarın

Kapı kapanmıyor.

- Yiyecek paketleri kapının kapanmasını engelliyor olabilir. >>> Kapıları engelleyen paketlerin yerlerini değiştirin.
- Ürün zemin üstünde tamamen dik durmuyor olabilir. >>> Ayaklarını ayarlayarak ürünü dengeleyin.
- Zemin düz ya da sağlam değildir. >>> Zeminin düz ve ürünü taşıyabilecek kadar sağlam olmasına dikkat edin.

Sebzelikler sıkışmış.

- Yiyecekler çekmecenin üst bölümüne değiyor olabilir. >>> Çekmecedeki yiyecekleri düzenleyin.



UYARI: Bu bölümdeki talimatları uygulamanıza rağmen sorunu gideremezseniz ürünü satın aldığınız bayi ya da Yetkili Servise başvurun. Çalışmayan ürünü kendiniz onarmayı denemeyin.

Değerli Müşterimiz,

Beko Çağrı Merkezi haftanın 7 günü 08:00-24:00 saatleri arasında 444'lü telefon numarası ile canlı olarak hizmet vermektedir.

Doğrudan bu numarayı çevirerek Beko Çağrı Merkezine başvurabilir ve arzu ettiğiniz hizmeti talep edebilirsiniz.

Çağrı Merkezimize ayrıca www.beko.com.tr adresindeki Tüketici Hizmetleri bölümünde bulunan formu doldurarak ya da 0 216 423 23 53 nolu telefona faks çekerek de ulaşabilirsiniz.

Yazılı başvurular için adresimiz: Beko Çağrı Merkezi, Arçelik A.Ş. Ankara Asfaltı Yanı,34950 Tuzla/İSTANBUL

**Beko
Çağrı Merkezi
444 0 888**

Sabit telefonlardan veya)
cep telefonlarından alan
(*kodu çevirmeden arayın

**Diğer
Numara
0 216 585
8 888**

**Aşağıdaki önerilere
uymanızı rica ederiz.**

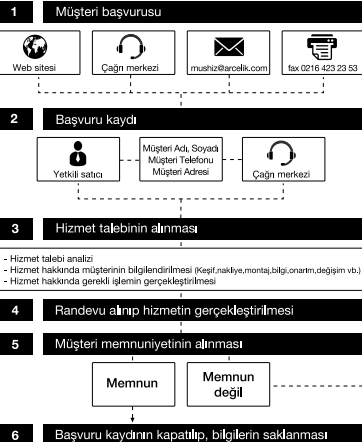
1. Ürününüzü aldığınızda Garanti belgesini Yetkili Satıcınıza onaylatırınız.
2. Ürününüzü kullanma kılavuzu esaslarına göre kullanınız.
3. Ürününüzü ile ilgili hizmet talebiniz olduğunda yukarıdaki telefon numaralarından Çağrı Merkezimize başvurunuz.
4. Hizmet için gelen teknisyene "teknisyen kimlik kartı" nı sorunuz.
5. İşiniz bittiğinde servis teknisyeninden "Hizmet Fişi" istemeyi unutmayınız. alacağınız "Hizmet Fişi" , ilerde ürününüzde meydana gelebilecek herhangi bir sorunda size yarar sağlayacaktır.
6. Ürünün kullanım ömrü: 10 yıldır. (Ürünün fonksiyonunu yerine getirebilmesi için gerekli yedek parça bulundurma süresi)

Müşteri Memnuniyeti Politikası

Beko A.Ş. olarak, hizmet verdiğimiz markamızın müşteri istek ve önerilerinin müşteri profili ayrımı yapılmaksızın her kanaldan (çağrı merkezi, e-posta, www.beko.com.tr, faks, mektup, sosyal medya, bayi) rahatlıkla iletilebildiği, izlenebilir, raporlanabilir, şeffaf ve güvenli tek bir bilgi havuzunda toplandığı, bu kayıtların yasal düzenlemelere uygun, objektif, adil ve gizlilik içinde ele alındığı, değerlendirildiği ve süreçlerin sürekli kontrol edilerek iyileştirildiği, mükemmel müşteri deneyimini yaşatmayı ana ilke olarak kabul etmiş müşteri odaklı bir yaklaşımı benimsemekteyiz.

Yaklaşımımıza paralel olarak tüm süreçler yönetim sistemi ile entegre edilerek, birbirini kontrol eden bir yapı geliştirilmiş olup, yönetim hedefleri de bu sistem üzerinden beslenmektedir.

Hizmet talebinin değerlendirilmesi



Garanti ile ilgili olarak müşterinin dikkat etmesi gereken hususlar

Kullanım Hataları ve Garanti ile İlgili Dikkat Edilmesi Gereken Diğer Hususlar:

Aşağıda belirtilen sorunların giderilmesi ücret karşılığında yapılır. Bu durumlar için garanti şartları uygulanmaz;

- 1) Kullanım hatalarından kaynaklanan hasar ve arızalar,
- 2) Malın tüketiciye tesliminden sonraki yükleme, boşaltma, taşıma vb. sırasında oluşan hasar ve arızalar,
- 3) Malın kullanıldığı yerin elektrik (priz, gerilim, topraklama vb.), su (su basıncı, musluk vb.), doğalgaz, telefon, internet vb. şebekesi ve/veya altyapısı (gider, zemin, ortam vb.) kaynaklı meydana gelen hasar ve arızalar,
- 4) Doğa olayları ve yangın, su baskını vb. kaynaklı meydana gelen hasar ve arızalar,
- 5) Malın tanıtma ve kullanma kılavuzlarında yer alan hususlara aykırı kullanılmasından kaynaklanan hasar ve arızalar,
- 6) Malın, 6502 sayılı Tüketicinin Korunması Hakkındaki Kanununda tarif edilen şekli ile ticari veya mesleki amaçlarla kullanımı durumunda ortaya çıkan hasar ve arızalar.

Mala yetkisiz kişiler tarafından bakım, onarım veya başka bir nedenle müdahale edilmesi durumunda mala verilmiş garanti sona erecektir.

Arızalarda kullanım hatasının bulunup bulunmadığının, yetkili servis istasyonları, yetkili servis istasyonunun mevcut olmaması halinde sırasıyla; malın satıcısı, ithalatçısı veya üreticisinden birisi tarafından, ilgili mevzuatla belirlenmiş ve o mala ilişkin azami tamir süresi içerisinde düzenlenen raporla belirlenmesi ve bu raporun bir nüshasının tüketiciye verilmesi zorunludur.

Garanti uygulaması sırasında değiştirilen malın garanti süresi, satın alınan malın kalan garanti süresi ile sınırlıdır.

Tüketiciler şikâyet ve itirazları konusundaki başvurularını, ilgili mevzuatlarla belirlenmiş yetki sınırlarını gözeterek, Tüketici Mahkemelerine ve Tüketici Hakem Heyetlerine yapabilir.

Arçelik A.Ş. tarafından üretilmiştir.

Garanti Belgesi

Buzdolabı

GARANTİ ŞARTLARI

- 1) Garanti süresi, malın teslim tarihinden itibaren başlar ve 3 yıldır.
- 2) Malın tanıtma ve kullanma kılavuzunda gösterildiği şekilde kullanılması ve Arçelik A.Ş.'nin yetkili kıldığı servis çalışanları dışındaki şahıslar tarafından bakım, onarım veya başka bir nedenle müdahale edilmemiş olması şartıyla, malın bütün parçaları dahil olmak üzere tamamını; malzeme, işçilik ve üretim hatalarına karşı malın teslim tarihinden itibaren yukarıda belirtilen süre kadar garanti eder.
- 3) Malın ayıplı olduğunun anlaşılması durumunda tüketici, 6502 sayılı Tüketicinin Korunması Hakkında Kanununun 11 inci maddesinde yer alan;
 - a- Sözleşmeden dönme,
 - b- Satış bedelinden indirim isteme,
 - c- Ücretsiz onarılmasını isteme,
 - ç- Satılanın ayıpsız bir misli ile değiştirilmesini isteme, haklarından birini kullanabilir.
- 4) Tüketicinin bu haklardan ücretsiz onarım hakkını seçmesi durumunda satıcı; işçilik masrafı, değiştirilen parça bedeli ya da başka herhangi bir ad altında hiçbir ücret talep etmeksizin malın onarımını yapmak veya yaptırmakla yükümlüdür. Tüketici ücretsiz onarım hakkını üretici veya ithalatçıya karşı da kullanabilir. Satıcı, üretici ve ithalatçı tüketicinin bu hakkını kullanmasından müteselsilen sorumludur.
- 5) Tüketicinin, ücretsiz onarım hakkını kullanması halinde malın;
 - Garanti süresi içinde tekrar arızalanması,
 - Tamiri için gereken azami sürenin aşılması,
 - Tamirinin mümkün olmadığının, yetkili servis istasyonu, satıcı, üretici veya ithalatçı tarafından bir raporla belirlenmesi durumlarında;tüketici malın bedel iadesini, ayıp oranında bedel indirimini veya imkân varsa malın ayıpsız misli ile değiştirilmesini satıcıdan talep edebilir. Satıcı, tüketicinin talebini reddedemez. Bu talebin yerine getirilmemesi durumunda satıcı, üretici ve ithalatçı müteselsilen sorumludur.
- 6) Malın tamir süresi 20 iş gününü geçemez. Bu süre, garanti süresi içerisinde mala ilişkin arızanın yetkili servis istasyonuna veya satıcıya bildiri tarihinde, garanti süresi dışında ise malın yetkili servis istasyonuna teslim tarihinden itibaren başlar. Malın arızasının 10 iş günü içerisinde giderilememesi halinde, üretici veya ithalatçı; malın tamiri tamamlanincaya kadar, benzer özelliklere sahip başka bir malı tüketicinin kullanımına tahsis etmek zorundadır. Malın garanti süresi içerisinde arızalanması durumunda, tamirde geçen süre garanti süresine eklenir.
- 7) Malın kullanma kılavuzunda yer alan hususlara aykırı kullanılmasından kaynaklanan arızalar garanti kapsamı dışındadır.
- 8) Tüketici, garantiden doğan haklarının kullanılması ile ilgili olarak çıkabilecek uyuşmazlıklarda yerleşim yerinin bulunduğu veya tüketici işleminin yapıldığı yerdeki Tüketici Hakem Heyetine veya Tüketici Mahkemesine başvurabilir.
- 9) Satıcı tarafından bu Garanti Belgesinin verilmemesi durumunda, tüketici Ticaret Bakanlığı Tüketicinin Korunması ve Piyasa Gözetimi Genel Müdürlüğüne başvurabilir.

Üretici veya İthalatçı Firmanın;

Unvanı: Arçelik A.Ş.
Adresi: Arçelik A.Ş. Karaağaç Caddesi No:2-6, 34445, Sütçüce / İSTANBUL
Telefonu: (0-216) 585 8 888
Faks: (0-216) 423 23 53
web adresi: www.beko.com

Malın

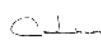
Markası: Beko
Cinsi: Buzdolabı
Modeli:
Seri No:
Garanti Süresi: 3 YIL
Azami Tamir Süresi: 20 İş günü

GENEL MÜDÜR



Arçelik A.Ş.

GENEL MÜDÜR YRD.



Satıcı Firmanın:

Unvanı:
Adresi:
Telefonu:
Faks:
e-posta:

Fatura Tarih ve Sayısı:
Teslim Tarihi ve Yeri:
Yetkilinin İmzası:
Firmanın Kaşesi:

Bu bölümü, ürünü aldığınız Yetkili Satıcı imzalayacak ve kaşeleyecektir.

Моля първо да прочетете това ръководство!

Уважаеми клиенти,

Надяваме се, че вашият продукт, произведен в съвременни фабрики и проверен при най-стриктни процедури за контрол на качеството, ще ви осигури ефективна работа.




За целта, ви съветваме да прочетете внимателно цялото ръководство за употреба на продукта преди да го ползвате и да го държите под ръка за справки в бъдеще.





Това ръководство

- Ще ви помогне да използвате уреда по-най-бърз и безопасен начин.
 - Прочетете ръководството преди монтаж и работа с продукта.
 - Следвайте всички инструкции, особено тези за безопасност.
 - Дръжте ръководството на лесно достъпно място, тъй като може да се нуждаете от него.
 - Освен това, прочетете и другите листовки, доставени с продукта.
- Обърнете внимание, че това ръководство може да важи и за други модели уреди.

Символи и техните описания

Това ръководство за употреба съдържа следните символи:

-  Важна информация или полезни съвети за употреба.
-  Предупреждения при опасност за живота или имуществото.
-  Предупреждения за електрическата мощност.

 ИНФОРМАЦИЯ	
 ENERGY 	
<small>SUPPLIER'S NAME</small> A	
Информацията за модела, съхранявана в базата данни на продукта, може да бъде получена, като въведете следния уебсайт и потърсите идентификатора на вашия модел (*), намиращ се на енергийния етикет.	
https://eprel.ec.europa.eu/	

СЪДЪРЖАНИЕ

1 Вашият хладилник 3

2 Важни предупреждения относно безопасността 4

Употреба на уреда	4
За продукт с воден разпределител; ...	8
Защита от деца	8
Съвместимост с WEEE Директива за изхвърляне на отпадъчни продукти: ...	8
Съвместимост с директивата за ограничаване на употребата на определени опасни вещества	9
Информация за опаковъчните материали	9
НС предупреждение	9
Неща, които да направите с цел пестене на енергия	9

3 Монтаж 11

На какво да обърнете внимание при повторно транспортиране на хладилника	11
Преди да започнете работа с хладилника	11
Електрическо свързване	11
Изхвърляне на опаковъчните материали	12
Изхвърляне на стария ви хладилник.	12
Поставяне ни монтиране.....	12
Регулиране на крачетата.....	13
Подмяна на осветителната лампичка	13
Монтаж (Под тезгяха)	13

4 Подготовка 14

Обръщане на вратите	16
---------------------------	----

5 Употреба на хладилника ви 18

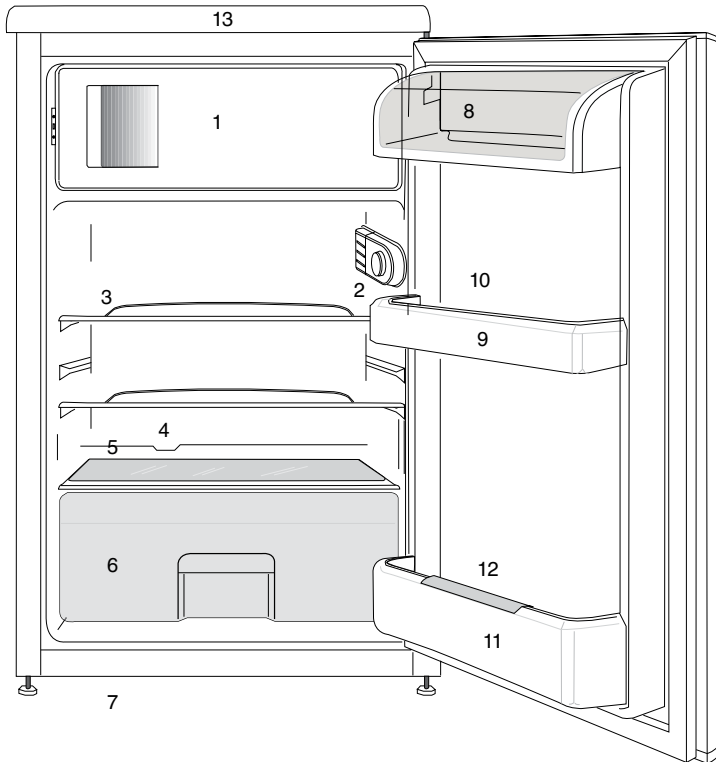
Замразяване	18
Замразяване на храна.....	18
Правене на кубчета лед	19
Съхраняване на замразени храни....	19
Разлеждане на уреда.	19
Охлаждане	20
Съхранение на храна	20
Разлеждане на уреда.	20


6 Поддръжка и почистване 21

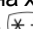
Предпазване на пластмасовите повърхности	21
--	----

7 Възможни решения на възникнали проблеми 22

1 Вашият хладилник



1-а.) Фризер & отделение за лед (за  модели)

b.) Фризер за замразена храна & отделение за лед (за  модели)

2- Вътрешна лампа и копче на термостата.

3- Подвижни рафтове

4- Улей за водата от разлеждането - Дренажна тръба

5- Капак на контейнера за запазване на свежестта

6- Контейнер за запазване на свежестта

7- Регулируеми предни крачета

8- Отделение за млечни продукти


9- Рафтове на вратата

10- Тава за яйца

11- Рафт за бутилки

12- Захващач за бутилки

13- Горен плот




 Фигурите в настоящето ръководство за употреба са схематични и може да не отговарят точно на вашия уред. Ако споменатите части липсват във вашия уред, то те важат за други модели.


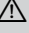
2 Важни предупреждения относно безопасността

Моля, прегледайте следната информация. Неспазването на тази информация може да доведе до наранявания или материални щети. В противен случай всякаква гаранция и отговорност стават невалидни.

Оригинални резервни части ще бъдат предоставяни 10 години след датата на покупка на продукта.

Употреба на уреда

	ВНИМАНИЕ: Уверете се решетките на вентилационните отвори да са отворени при положение на устройството в амбалажния пакет или след поставяне на работното му място.
	ВНИМАНИЕ: С изключение на препоръките, допустими от производителя, не използвайте механични или всякакви други устройства с цел ускоряване процеса на размразяване на устройството.
	ВНИМАНИЕ: Не повреждайте действието на охладителната система на фреона.

	ВНИМАНИЕ: Не използвайте електрическо оборудване в отделението за съхранение на хранителни продукти, недопустимо от производителя на устройството.
	ВНИМАНИЕ: Не съхранявайте експлозивни вещества като например аерозолни спрейове в уреда.

-Това устройство е предназначено за домашна употреба или за използване при следните условия

- В магазини, офиси и други работни среди с цел използване от членовете на персонала в кухнята на работната среда,;
- Във фермерни къщи, хотели, мотели и други среди, предназначени за настаняване на гражданите за почивка;

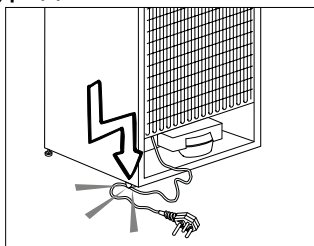
Обща безопасност

- Когато решите да изхвърлите продукта, препоръчваме да се консултирате с оторизирания сервиз за да получите нужната информация за това, както и с оторизираните власти.

- Консултирайте се с оторизирания сервиз по всякакви въпроси и проблеми, свързани с хладилника. Не се опитвайте да поправяте сами или да позволявате друг да прави това без да предупредите оторизирания сервиз.
- За продукти с фризерно отделение; Не яжте сладолед или кубчета лед веднага след като ги извадите от фризерното отделение! (Това може да доведе до измръзване в устата ви.)
- За продукти с фризерно отделение; Не поставяйте бутилирани или консервирани течности във фризерното отделение. В противен случай те може да се пръснат.
- Не пипайте замразената храна с ръце; тя може да се залепи за ръката ви.
- Изключете хладилника от контакта преди почистване или размразяване.
- Не бива никога да използвате пара и парни почистващи материали при почистването и разлеждането на хладилника. Парата може да влезе в контакт с електрическите части и да предизвика късо съединение или токов удар.
- Никога не използвайте частите на хладилника, като например вратата за подпора или за стъпване.
- Не използвайте електрически уреди вътре в хладилника.
- Не повреждайте частите, където циркулира охладителя с пробивни или режещи инструменти. Евентуалното изтичане на охладител при пробиване на каналите на изпарителя, удълженията на тръбата или покритието върху повърхността може да предизвика раздразнения на кожата или нараняване на очите.
- Не покривайте и не блокирайте с предмети вентилационните отвори на хладилника.
- Електрическите устройства трябва да се ремонтират само от оторизирани лица. Ремонтът, извършен от некомпетентно лице може да създаде риск за потребителя.
- В случай на каквато и да е повреда или по време на поддръжка и ремонт, изключете хладилника от ел. захранване като изключите съответния бушон или извадите щепсела от контакта.
- Не дърпайте за кабела когато искате да извадите щепсела от контакта.
- Уверете се, че високоалкохолните напитки се съхраняват сигурно със

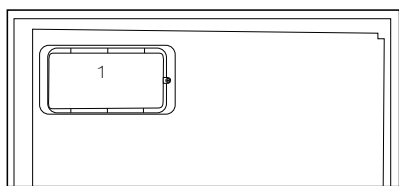
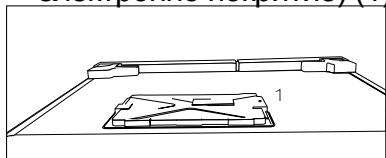
- затворени капачки и са разположени вертикално.
- Никога не съхранявайте спрейове съдържащи възпламеними или експлозивни вещества в хладилника.
 - Не използвайте механични устройства или други средства, за да ускорите процеса на размразяване, освен посочените от производителя.
 - Този уред не е предназначен за употреба от лица с физически, сензорни или умствени разстройства или лица без опит и познания (включително деца), освен ако те не са наблюдавани или инструктирани относно употребата на уреда от отговорно за безопасността им лице.
 - Не използвайте хладилника ако е повреден. Ако имате някакви съмнения, се обърнете към сервизния агент.
 - Електрическата безопасност на хладилника е гарантирана само ако заземяването на ел. инсталация в дома ви отговаря на съответните стандарти.
 - Излагането на продукта на дъжд, сняг, слънце и вятър представлява опасност от електрическа гледна точка.
 - Свържете се с оторизирания сервиз при повреда в
- захранващия кабел за да избегнете всякакъв риск.
- Никога не включвайте хладилника в контакта по време на инсталация. В противен случай съществува риск за живота или от сериозно нараняване.
 - Тзи хладилник е предназначен само за съхранение на хранителни продукти. Той не бива да се ползва за никакви други цели.
 - Етикетът с технически спецификации е разположен върху лявата вътрешна стена на хладилника.
 - Ако в хладилникът ви има синя светлина, не я наблюдавайте продължително време с невъоръжено око или оптични уреди.
 - Никога не свързвайте хладилника с енергоспестяващи системи; те могат да повредят хладилника.
 - За ръчно контролирани хладилници, изчакайте поне 5 минути за да рестартирате хладилника след прекъсване в захранването.
 - Това упътване за употреба трябва да се предаде на новия собственик ако уредът бъде продаден на други лица.
 - Внимавайте да не повредите захранващия

кабел при транспортирането на хладилника. Огъването на кабела може да доведе до пожар. Никога не поставяйте тежки предмети върху захранващия кабел. Не пипайте щепсела с мокри ръце когато включвате уреда в контакта.



- Не включвайте хладилника в разхлабени контакти.
- По причини на безопасността по външността или вътрешността на уреда не бива да се пръска директно вода.
- Не пръскайте субстанции, съдържащи възпламеними газове от рода на пропан газ в близост до хладилника за да избегнете риска от пожар и експлозия.
- Никга не поставяйте съдове, пълни с вода върху хладилника, тъй като това може да доведе до токов удар или пожар.
- Не препълвайте хладилника с прекомерно количество храна. Ако е препълнен, хранителните продукти може да паднат и да ви наранят или да повредят хладилника при отваряне на вратата. Никога не поставяйте предмети върху хладилника; в противен случай те може да изпаднат при отварянето и затварянето на вратата на хладилника.
- Тъй като се нуждаят от точно определена температура на съхранение (ваксини, температурно-зависими лекарства, научни материали, и др.) не бива да се държат в хладилника.
- Ако не бъде използван дълго време, хладилникът трябва да бъде изключен от контакта. Възможно е неизправност в захранващия кабел да доведе до пожар.
- Накрайникът на щепсела трябва да бъде редовно почистван за да се избегне риска от пожар.
- Хладилникът може да мърда ако регулируемите крачета не са стабилно закрепени на пода. Стабилното закрепване на регулируемите крачета на пода може да предпази хладилника от мърдане.
- При преместването на хладилника, не го хващайте за дръжката на вратата. В противен случай тя може да се откъсне.
- Ако се налага да поставите уреда до друг хладилник или фризер, разстоянието между двата уреда трябва да е поне 8см. В противен случай прилежащите странични стени може да се навлажнят.

- Никога не използвайте продукта, ако секцията, разположена в горната или задната част на вашия продукт с електронни печатни платки вътре, е отворена (печатна платка с електронно покритие) (1).



За продукт с воден разпределител;

- Налягането на входа за студена вода трябва да е максимум 90 psi (620 kPa). Ако налягането на водата надвиши 80 psi (550 kPa), използвайте клапана за ограничаване на налягането в мрежовата система. Ако не знаете как да проверите налягането на водата, потърсете помощ от професионален водопроводчик.
- Ако има риск от хидравлически удар във вашата инсталация, винаги използвайте оборудване за предотвратяване на хидравлически удар. Консултирайте се с професионален

водопроводчик, ако не сте сигурни, че във вашата инсталация няма да възникне хидравлически удар.

- Не инсталирайте на входа за гореща вода. Вземете предпазни мерки срещу замръзване на маркучите. Работният интервал на температурата на водата трябва да е минимум 33°F (0,6°C) и максимум 100°F (38°C).
- Използвайте само питейна вода.

Защита от деца

- Ако на вратата е поставена ключалка, ключът трябва да се държи далеч от достъпа на деца.
- Децата трябва да бъдат надзиравани за да се избегне играене с уреда.

Съвместимост с WEEE

Директива за изхвърляне на отпадъчни продукти:



Продуктът отговаря на изискванията на директивата на ЕС за изхвърляне на отпадъчни продукти (2012/19/EU). Този продукт носи класификационен символ за отпадъчно електрическо и електронно оборудване (WEEE).

Продуктът е произведен от висококачествени части и материали, които могат да се използват повторно и са подходящи за рециклиране. Не изхвърляйте уреда

заедно с обикновените битови и други отпадъци в края на оперативния му живот. Занесете го в събирателния център за рециклиране на електронно и електрическо оборудване. Обърнете се към местните власти за повече подробности относно тези събирателни центрове.

Съвместимост с директивата за ограничаване на употребата на определени опасни вещества

Закупеният от вас продукт отговаря на изискванията на директивата за ограничаване на употребата на определени опасни вещества на ЕС (2011/65/EU). Той не съдържа никой от вредните и забранени материали, описани в Директивата.

Информация за опаковъчните материали

Опаковъчните материали на продукта са произведени от рециклируеми материали съгласно нашите национални наредби за опазване на околната среда. Не изхвърляйте опаковъчните материали заедно с битовите и други отпадъци. Занесете ги в пунктовете за събиране на опаковъчни материали, определени от местните власти.

НС предупреждение

Ак охлаждащата система на уреда ви съдържа R600a:

Този газ е запалим. Затова внимавайте да не повредите охладителната система и тръбите при употреба и транспорт. В случай на повреда, дръжте продукта далеч от потенциални източници на огън, което може да доведе до подпалването на уреда и проветрявайте стаята, където се намира той.

Не взимайте предвид това предупреждение ако охладителната ви система съдържа R134a.

Типът газ, използван в продукта, е обозначен на страничната табелка с данни върху вътрешната лява страна на хладилника. Никога не изхвърляйте уреда в огън.

Неща, които да направите с цел пестене на енергия

- Не оставяйте вратите на хладилника отворени за дълго.
- Не прибирайте горещи храни и напитки в хладилника.
- Не препълвайте хладилника за да не се затруднява въздушната циркулация вътре в него.
- Не инсталирайте хладилника под пряка слънчева светлина или в близост до уреди,

излъчващи топлина, като фурни, съдомиялни машини или радиатори.

- Дръжте храната в затворени контейнери.
- За уреди с фризерно отделение; Можете да съхранявате максимално количество хранителни продукти ако свалите рафта или чекмеджето на хладилника. Стойността на енергийната консумация, посочена върху хладилника, е измерена при свален рафт или чекмедже на фризера и при максимално зареждане. Няма никаква опасност да използвате рафт или чекмедже в зависимост от формата и размера на хранителните продукти които замразявате.
- Разлеждането на замразена храна в хладилника ще осигури както пестене на енергия, така и ще запази качеството на хранителните продукти.

3 Монтаж

⚠ Запомнете, че производителят не носи отговорност, в случай, че предоставената в ръководството за употреба информация не се спазва.

На какво да обърнете внимание при повторно транспортиране на хладилника

1. Хладилникът трябва да се изпразни и почисти преди всяко транспортиране.
2. Рафтовете, аксесоарите, контейнера за запазване свежестта и др. в хладилника трябва да се залепят добре с изолирбанд срещу друсането при пренасяне.
3. Опаковката трябва да се обиколи с дебело тиксо и здрави въжета и правилата за транспортиране, напечатани върху опаковката, да се спазват.

Не забравяйте...

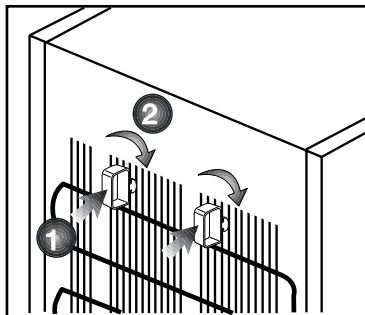
Всеки рециклиран продукт е от ползва за природата и националните ресурси.

Ако искате да допринесете за рециклирането на опаковъчните материали, може да получите информация за това от местните власти и органи за опазване на околната среда.

Преди да започнете работа с хладилника

Преди да започнете употреба на хладилника, моля поверете следното:

1. Вътрешността на хладилника суха ли е и може ли въздухът да циркулира свободно в задната му част?
2. Може да монтирате двата пластмасови клина както е показано на илюстрацията. Пластмасовите клинове осигуряват нужната дистанция между хладилника и стената, така че да се осигури циркулация на въздух. (Илюстрацията на фигурата е само пример и не отговаря точно на вашия продукт.)



3. Почистете вътрешността на хладилника, както е препоръчано в раздел "Поддръжка и почистване".
4. Включете хладилника в контакта. При отваряне на вратата вътрешната лампичка светва.
5. Ще чуете шум, когато компресорът започне да работи. Нормално е течността и газовете в охладителната система да издават шум, дори компресорът да не работи.
6. Предните ъгли на хладилника може да са топли на пипане. Това е нормално. Тези части са проектирани да бъдат топли с цел избягване на кондензацията.

Електрическо свързване

Свържете хладилника към заземен контакт, който се предпазва от бушон с подходящ капацитет.

Важно:

- Свързването трябва да бъде направено в съответствие с наредбите в страната.
- Щепселът трябва да е лесно достъпен след монтажа.
- Посочената мощност трябва да отговаря на мощността на вашето захранване.
- При свързването не бива да се ползват удължители и разклонители.

⚠ Ако кабелът е повреден, той трябва да се подмени от квалифициран техник.

⚠ Уредът не бива да се ползва преди тда бъде поправен! Съществува опасност от токов удар!

Изхвърляне на опаковъчните материали

Опаковъчните материали може да представляват опасност за децата. Дръжте опаковъчните материали далеч от достъпа на деца или ги изхвърлете разделно, в съответствие с указанията за изхвърляне на отпадъци. Не ги изхвърляйте заедно с другите битови отпадъци.

Опаковката на вашия хладилник е изработена от рециклируеми материали.

Изхвърляне на стария ви хладилник.

Изхвърлете стария си уред така, че да не навредите на околната среда.

- Може да се консултирате с оторизирания търговец или центъра за събиране на отпадъци във вашата община относно изхвърлянето на хладилника ви.

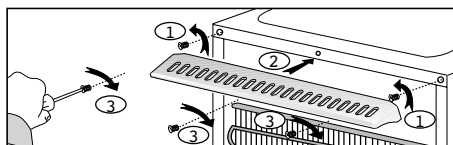
Преди да изхвърлите хладилника ви, отрежете кабела и, ако вратата е със заключалки, ги направете неизползваеми, така, че да предпазите децата от всякакви евентуални рискове.

Поставяне ни монтиране

⚠ Ако вратата на стаята, където ще инсталирате хладилника, не е достатъчно широка за да мине уреда през нея, се обадете в оторизирания сервис за да свалят вратите на хладилника и го вкарайте странично през вратата.

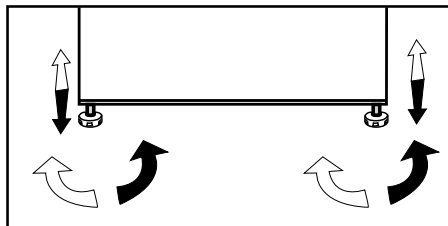
1. Инсталирайте хладилника на място, където може лесно да се ползва.
2. Дръжте хладилника далеч от топлинни източници, задушни места и пряка слънчева светлина.
3. Трябва да осигурите добра вентилация около хладилника за да може той да работи ефективно. Ако ще монтирате хладилника в ниша в стената, трябва да има поне 5 см разстояние от тавана и стената. Ако подът е покрит с килим, уредът трябва да се повдигне на 2.5 см от пода.
4. Поставете хладилника върху равна подова повърхност за да се избегне клатене на уреда.
5. Не дръжте хладилника при външна температура под 10°C.

Ако уредът ви е с решетка, моля, направете справка за монтажа на решетката.



Регулиране на крачетата

Ако хладилникът ви не е балансиран; Може да балансирате хладилника като завъртите предните крачета както е показано на илюстрацията по-долу. Ъгълът, където е крака се понижава при завъртане по посока на черната стрелка и се увеличава при завъртане в обратната посока. Процесът се улеснява ако някой ви помогне като повдигне леко хладилника.



Подмяна на осветителната лампичка

За да подмените лампичката в хладилника, моля обадете се в оторизирания сервиз.

Лампата(ите) в този уред не са подходящи за осветление в битови помещения. Предназначението на тази лампа е да помага на потребителя да оставя хранителни продукти в хладилника/фризера по безопасен и удобен начин.

Лампите, използвани в този уред, трябва да издържат на екстремни физически условия като температура под -20°C.

Монтаж (Под тезгяха)

- Вътрешната височина на тезгяха трябва да е 820мм.
- (!) Готварски печки или други топлинни източници не бива да се поставят над тезгяха под който е монтиран уредът.
- Контактът на стената трябва да е близо до лявата или дясната страна на уреда..

- Вдигнете горния капак на уреда. Има 4 винта (2 отзад, 2 под предния ръб)„, които трябва да бъдат отстранени.

Фиг. 1

- Отрежете частта, показана на картината, и след това я свалете с помощта на клещи.
- Поставете уреда под тезгяха и регулирайте предните крачета така, че горната му част да допре тезгяха.

За да може да ползвате уреда под тезгяха, разстоянието между стената и частта, посочена в горната свързваща пластмасова част, трябва да е поне 595 мм.

Фиг. 2-3

- Наместете уреда под тезгяха като ползвате 2 от винтовете, свалени от горния капак.(Тезгяхът трябва да е изработен от пластмаса или дърво!)

Фиг. 4

4 Подготовка

i за свободно стоящ уред; „Този хладилен уред не е предназначен да се използва като вграден уред“;

i Хладилникът ви трябва да се инсталира поне на 30 см разстояние от топлинни източници като котлони, фурни, централно парно, на поне 5 см от електрически печки и не трябва да се излага на пряка слънчева светлина.

i Температурата в стаята, където ще инсталирате хладилника, трябва да е поне 10°C. Употребата на хладилника при по-студени условия не е препоръчителна, тъй като това се отразява на ефективността му.

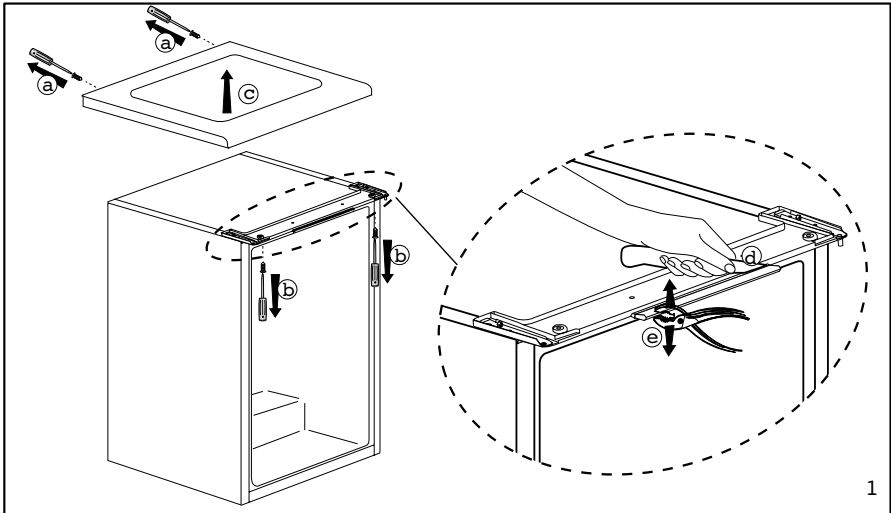
i Проверете дали вътрешността на хладилника е почистена изцяло.

i Ако два хладилника се инсталират един до друг, трябва да има поне 2 см разстояние помежду им.

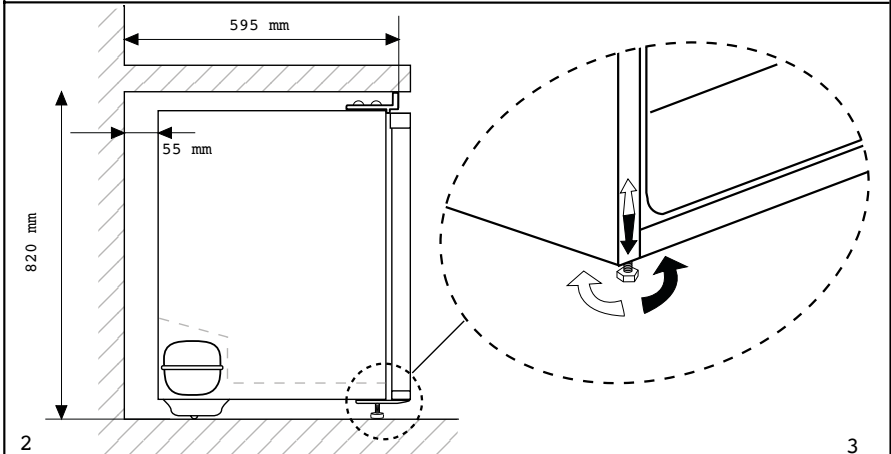
i Когато използвате хладилника за първи път, следвайте следните указания през първите шест часа.

- Вратата не бива да се отваря често.
- Хладилникът трябва да работи празен, без храна в него.
- Не изключвайте хладилника от щепсела. Ако има прекъсване на захранването, което не можете да контролирате, моля прочетете предупрежденията в раздел “Възможни решения на възникнали проблеми”.

i Оригиналната опаковка и изолиращи материали трябва да се запазят за бъдещо транспортиране или преместване.

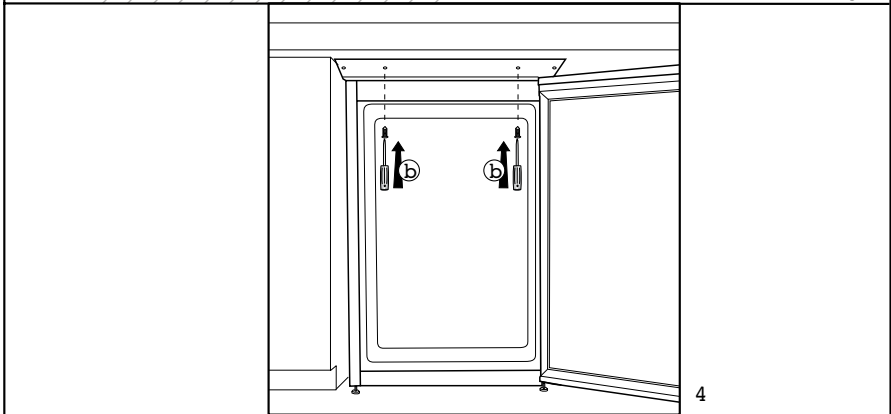


1



2

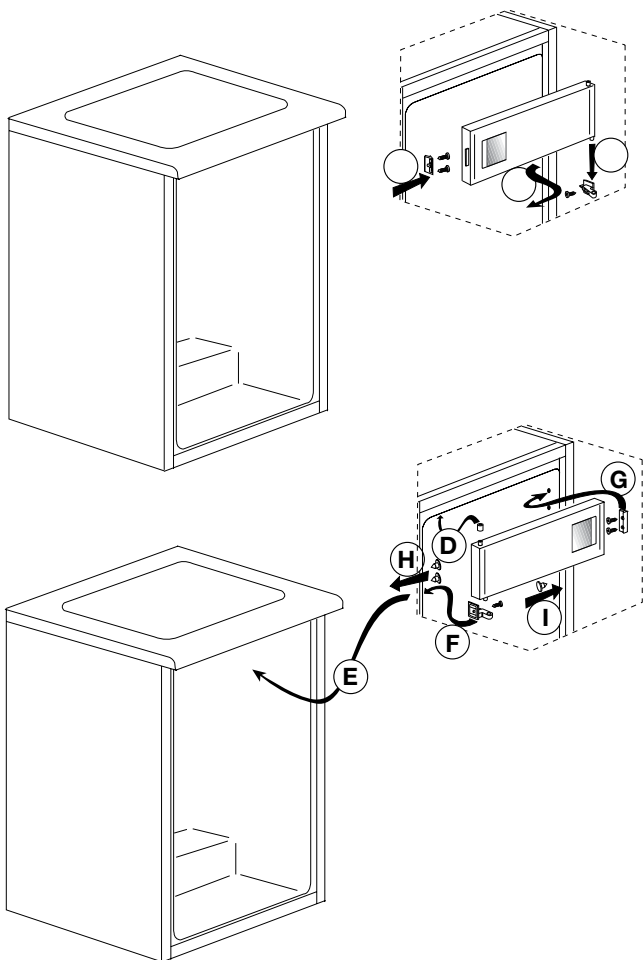
3

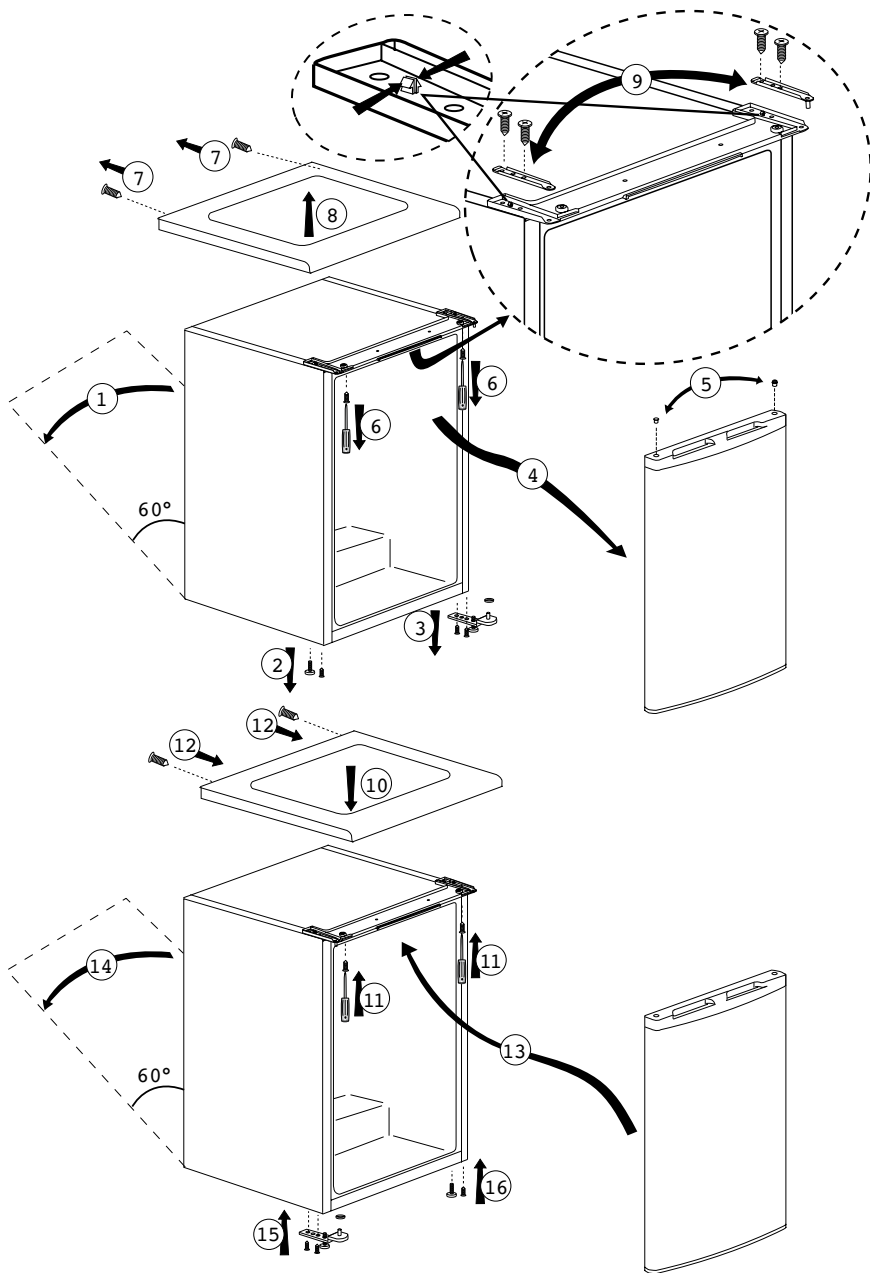


4

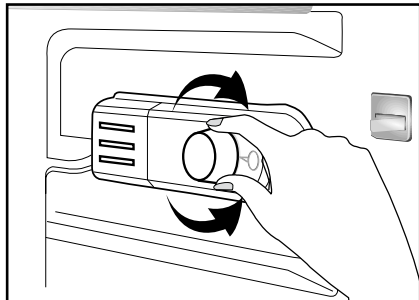
Обръщане на вратите

Процедирайте по следния начин



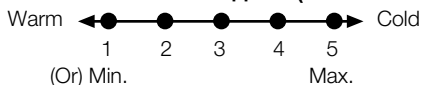


5 Употреба на хладилника ви



Работната температура се контролира от температурния регулатор.

1 = Най-слабо охлаждане (Най-топло)



5 = Най-силно охлаждане (Най студено)

(или)

Min. = Най-слабо охлаждане (Най-топло)

Max. = Най-силно охлаждане (Най-студено)

Средната температура в хладилника трябва да бъде около +5° C.

Моля, настройте според желаната температура.

Може да спрете работата на хладилника като поставите термостата на положение "0".

Забележете, че температурите са различни в различните охлаждателни части.

Най-студено е над отделението за зеленчуци.


Вътрешната температура зависи и от температурата на околната среда, честотата на отваряне на вратата и количеството храна, съхранявана в хладилника.

Честото отваряне на вратата води до повишаване на вътрешната температура.

Затова се препоръчва възможно най-бързо затваряне на хладилника след ползване.

Замразяване

Замразяване на храна

Отделението на фризера е отбелязано със символ .

Може да ползвате уреда както за замразяване на прясна храна, така и за съхранение на предварително замразени продукти.

Моля прочетете препоръките, посочени върху опаковката на хранителните продукти.

• Внимание

Не залеждайте газирани напитки, защото бутилката може да избухне при замразяване на течността в нея.

Внимавайте с някои замразени продукти от рода на цветни кубчета лед.

Не надвишавайте капацитета за замразяване на уреда за 24 часа. Вижте табелката с данни.

За да запазите качеството на храната, замразяването трябва да стане възможно най-бързо.

По този начин капацитетът на замразяване не се надвишава и температурата във фризера не се повишава.

• Внимание

Винаги дръжте вече дълбоко замразените хранителни продукти, разделени от прясно сложената храна.

Когато замразявате дълбоко гореща храна, охлаждащият компресор работи до пълното ѝ замразяване. Това може временно да причини прекомерно охлаждане на хладилното отделение.

Не се безпокойте ако веднага след като сте я затворили, вратата на фризера се отваря с трудност. Това се дължи на разликата в налягането, което ще се нормализира и вратата ще може да бъде отворена нормално само след няколко минути.

След затваряне на вратата се чува звук от вакуум. Това е съвсем нормално.

Правене на кубчета лед


Напълнете поставката за лед $\frac{3}{4}$ с вода и я поставете във фризера.

Може да извадите кубчетата лед веднага след като водата се е превърнала на лед.

Никога не използвайте остри предмети като ножове или вилници за да извадите кубчетата. Има опасност да се нараните!

Вместо това изчакайте кубчетата лед леко да се отпуснат или поставете дъното на поставката в топла вода за момент.

Съхраняване на замразени храни

Отделението за замразени храни е отбелязано със символ .

Отделението за замразени храни е подходящо за съхранение на предварително замразени храни. Препоръката за съхранение, посочена на опаковката на храната, трябва винаги да се спазва.

Разлеждане на уреда.

Прекомерното количество наслоен лед води до намаляване качеството на рбаота на уреда.



Затова се препоръчва разлеждане на уреда поне два пъти в годината, или когато нивото на наслоения лед надвишава 7мм.

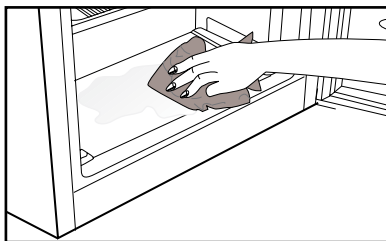
Размразяването трябва да се извършва при извадена от хладилника храна или с много малко останала вътре.

Извадете дълбоко замразената храна. Увийте дълбоко замразените продукти в няколко слоя хартия, или одеяло и ги дръжте на хладно място.

Изключете уреда от контакта или изключете прекъсвача за да започнете разлеждането.

Извадете всички принадлежности (като рафтове, чекмеджета и т.н.) от уреда и използвайте подходящ съд за събиране на оттичащата се вода.

Използвайте гъба или мек парцал ако е необходимо попиване на събралата се вода в отделението на фризера  или отделението за замразена храна .



Дръжте вратата отворена по време на разлеждането.

За по-бързо разлеждане може да поставите съдове с гореща вътре вода в уреда.

Никога не използвайте електрически уреди, разлеждащи спрейове или остри предмети като ножове или вилици за да махнете леда.

След завършване на разлеждането, почитете вътрешността на уреда.

Сега може да включите уреда от захранващия кабел. Сложете замразената храна в чекмеджетата и ги поставете във фризера.

Охлаждане

Съхранение на храна

Хладилното отделение служи за краткотрайно съхранение на пресни храни и напитки.

Съхранявайте млечните продукти в съответното отделение на хладилника.

Бутилките могат да се съхраняват в държача за бутилки или на рафта за бутилки на вратата.

Суровото месо се съхранява най-добре в найлонова торбичка в отделението в най-долната част на хладилника.

Оставете топлата храна и напитки да се охладят до стайна температура преди да ги поставите в хладилника.

• Внимание

Съхраняването на концентриран алкохол става само в изправено положение и плътно затворен.

• Внимание

Не съхранявайте експлозивни материали и съдове с запалими пропилен газове (спрей-сметана и др.) в уреда.

Има опасност от експлозия.

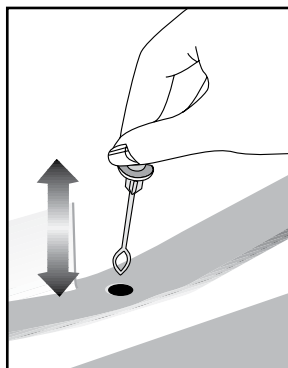
Разлеждане на уреда.

Хладилното отделение се размразява автоматично. Стичащата се вода се събира по дренажния канал в специален съд, в задната част на уреда.

По време на разлеждането на задната стена на хладилника се формират водни капки заради изпарението.

Ако не всички капки се стекат, те може да замръзнат отново след като разлеждането приключи. Попийте ги с мек парцал, напоен с топла вода. Не използвайте твърди или остри предмети.

Отвреме нареме проверявайте оттичането на водата. Случва се то да се блокира. Почистете с уред за почистване на тръби или друг подобен.



6 Поддръжка и почистване

- ⚠ Никога не използвайте газ, бензин или подобни вещества за почистване на уреда.
- ⚠ Препоръчваме ви да изключите уреда от контакта, преди почистване.
- ⓘ Никога не използвайте за почистване остри или абразивни материали, сапун, домакински препарати, перилни препарати или полир.
- ⓘ За продуктите, които не притежават функция за предотвратяване на замразяването, водните капки могат да образуват слой с дебелина до ширината на пръст по задната страна на хладилното отделение. Не го почиствайте; никога не прилагайте смазка или други подобни препарати-
- ⓘ Използвайте само леко навлажнена микрофибърна кърпа, за да почистите външната повърхност на продукта. Гъбите и другите типове почистващи кърпи могат да надраскат повърхностите.
- ⓘ Използвайте хладка вода, за да почистите корпуса на хладилника, и подсушете.
- ⓘ Използвайте влажна кърпа, натопена в разтвор от една супена лъжица сода бикарбонат в половин литър вода, за да почистите вътрешността, и подсушете.
- ⚠ В гнездото на лампата и другите електрически компоненти не бива да навлиза вода.
- ⚠ Ако хладилникът няма да се използва дълго време, изключете го от контакта, извадете всички хранителни продукти, почистете го и оставете вратата откритата.
- ⓘ Редовно проверявайте уплътненията на вратата, за да сте сигурни, че са чисти и че по тях няма хранителни остатъци.
- ⓘ За да свалите рафт от вратата, извадете всички продукти и го бутнете нагоре от основата му.
- ⓘ Никога не използвайте почистващи препарати или вода със съдържание на хлор за почистване на външните повърхности и хромираните части на продукта. Хлорът разяжда такива метални повърхности.

- ⓘ Не използвайте остри и абразивни инструменти или сапун, домашни почистващи препарати, перилни препарати, бензин, бензол, восъчни и т.н., в противен случай шампите върху пластмасови части ще изчезнат и ще настъпи деформация. Използвайте топла вода и мека кърпа за почистване и подсушаване.

Предпазване на пластмасовите повърхности

- Не слагайте течни мазнини или готвени в мазнина ястия в хладилника освен в затворен контейнер, тъй като те повреждат пластмасовите повърхности на хладилника. В случай на разливане или омазване на пластмасовите повърхности с мазнина, почистете и изплакнете съответната част от повърхността с топла вода.

7 Възможни решения на възникнали проблеми

Моля, прегледайте този списък преди да се обадите в сервиза. Това може да ви спести време и пари. Този списък съдържа проблеми, които не са в резултат на дефектно производство или лоша употреба на материали. Някои от описаните тук характеристики може да не са налични на вашия продукт.

Хладилникът не работи
<ul style="list-style-type: none">• Хладилникът правилно ли е включен в контакта? Включете щепсела в контакта.• Да не е изгорял бушонът на контакта, към който е свързан хладилника или главният бушон? Проверете бушона.
Кондензация на вода по страничната стена на хладилното отделение (MULTI ZONE, COOL CONTROL ve FLEXI ZONE)
<ul style="list-style-type: none">• Много студени външни температурни условия. Често отваряне и затваряне на вратата. Много влажни външни условия. Съхранение на храни със съдържание на течности в отворените контейнери. Оставена откритата вратата.• Превключете термостата на по-ниска стойност.• Дръжте вратата отворена по-кратко време или я използвайте по рядко.• Покривайте храните, съхранявани в отворени контейнери с подходящи материали.• Избършете кондензираната вода със сух парцал и проверете дали се кондензира отново.

Компресорът не работи

- Защитният термостат на компресора се изключва при внезапно прекъсване в захранването или при включване и изключване от контакта тъй като налягането на охладителя в охладителната система на хладилника все още не е уравнилосен.
 - Хладилникът ще започне да работи след около 6 минути. Ако след този период от време хладилникът не почне да работи, се свържете със сервиза.
 - Хладилникът е в цикъл на разлеждане. Това е нормално за хладилник с напълно автоматично разлеждане. Цикълът на разлеждане се задейства периодично.
 - Хладилникът не е включен в контакта. Проверете дали щепселът е пъхнат докрай в контакта.
 - Правилно ли са направени температурните настройки? Прекъсването е ел. захранването.
- Обадете се в енергоснабдяване.

Хладилникът работи често или продължително време

- Новият ви хладилник може да е по-широк от предишния. Това е съвсем нормално. Големите хладилници работят по-дълго време.
- Стайната температура е висока. Това е нормално.
- Хладилникът може скоро да е включен в контакта или да е зареден с храна. Пълното охлаждане на хладилника може да продължи няколко часа по-дълго.
- Възможно е наскоро да сте поставили големи количества топла храна в хладилника. Горещата храна води до по-продължителна работа на хладилника до достигане на необходимата ѝ температура на съхранение.
- Вратите може да са били отворяни често или оставени открити за дълго време. Топлият въздух, проникнал в хладилника, го кара да работи за по-продължителни периоди. Избягвайте да отваряте вратите толкова често.
- Вратата на фризерното или хладилно отделение може да е била оставена откритата. Проверете дали вратите са плътно затворени.
- Хладилникът е настроен на много ниска температура. Настройте хладилника на по-висок градус и изчакайте докато достигне температурата.
- Уплътнението на вратата на хладилника или фризера може да е замърсено, износено, повредено или неправилно поставено. Почистете или подменете уплътнението. Повреденото уплътнение кара хладилника да работи по-продължително време за да поддържа температурата.

емпературата във фризера е много ниска, докато температурата в хладилника е задоволителна

Фризерът е настроен на много ниска температура. Настройте температурата във фризера на по-висока стойност и проверете.

Температурата в хладилника е много ниска, докато температурата във фризера е задоволителна

Хладилникът е настроен на много ниска температура. Настройте температурата в хладилника на по-висока стойност и проверете.

Хранителните продукти, съхранявани в чекмеджетата на хладилното отделение, замръзват.

Хладилникът е настроен на много ниска температура. Настройте температурата в хладилника на по-висока стойност и проверете.

Температурата в хладилника или фризера е много висока.

- Хладилникът е настроен на много висока температура. Настройката на хладилника оказва влияние върху температурата във фризера. Променете температурата в хладилника или фризера до достигане на задоволително ниво.
- Вратата може да е оставена откритата. Затворете вратата докрай.
- Възможно е наскоро да сте поставили големи количества топла храна в хладилника. Изчакайте хладилникът или фризерът да достигнат желаната температура.
- Хладилникът може скоро да е включен в контакта. Пълното охлаждане на хладилника отнема време поради големият обем.

От хладилника се чува шум, подобен на часовниково тиктакане.

Този шум идва от електромагнитния клапан на хладилника. Електромагнитният клапан работи за да подсуши преминаването на охлаждащата течност през отделението, което може да се настрои на охлаждащи или зампазващи температури и осигурява охлаждащия ефект. Това е нормално и не е признак на повреда.

<p>Работният шум се увеличава когато хладилникът работи.</p>	<p>Лоша миризма в хладилника.</p>
<ul style="list-style-type: none"> Оперативните характеристики на хладилника ви може да се променят в зависимост от промените на околната температура. Това е нормално и не е повреда. 	<ul style="list-style-type: none"> Вътрешността на хладилника трябва да се почисти. Почистете вътрешността на хладилника с гъба, топла или газирана вода.
<p>Вибрации или шум.</p>	<ul style="list-style-type: none"> Миризмата може да излиза от контейнери или опаковъчни материали. Използвайте друг контейнер или различна марка опаковъчни материали.
<ul style="list-style-type: none"> Подът не е равен или издръжлив. Хладилникът се люлее при леко помръдване. Уверете се, че подът е равен, издръжлив и способен да издържи хладилника. Шумът може да идва от предметите, поставени върху хладилника. Те трябва да се свалят от хладилника. 	<p>Вратата/вратите не се затваря(т).</p>
<p>Чуват се шумове като от разливане на течност или спрей.</p>	<ul style="list-style-type: none"> Пакетите с храна може да пречат на затварянето на вратата. Преместете пакетите, които пречат на вратата. Хладилникът може да не е нивелиран напълно вертикално върху пода и да се люлее при леко помръдване. Настойте повдигащите винтове.
<ul style="list-style-type: none"> Потокът на течност и газ е в съответствие с оперативните принципи на хладилника ви. Това е нормално и не е повреда. 	<ul style="list-style-type: none"> Подът не е равен или издръжлив. Уверете се, че подът е равен и способен да издържи хладилника.
<p>Чува се шум като от духане на вятър.</p>	<p>Контейнерите за запазване на свежестта са заклучени.</p>
<ul style="list-style-type: none"> Въздушните активатори (вентилатори) се използват за да може хладилникът да охлажда по-ефективно. Това е нормално и не е повреда. 	<ul style="list-style-type: none"> Храната може да докосва горната част на чекмеджето. Разместете храната в чекмеджето.
<p>Кондензация по вътрешните страни на хладилника.</p>	<p>Ако Повърхностите На Уреда Са Горещи</p>
<ul style="list-style-type: none"> Топлият и влажен климат повишава залеждането и кондензацията. Това е нормално и не е повреда. Вратите са открехнати. Проверете дали вратите са плътно затворени. Вратите може да са отворяни твърде често или да са оставени отворени продължително време. Избягвайте да отваряте вратата толкова често. 	<ul style="list-style-type: none"> Докато уредът работи, могат да се наблюдават високи температури между двете врати, страничните панели и задната решетка. Това е нормално и не изисква сервизна услуга!
<p>Отвън на хладилника или между вратите се събира влага.</p>	
<ul style="list-style-type: none"> Климатът е влажен. Това е съвсем нормално при влажен климат. Когато влажността във въздуха намалее, кондензираната вода ще изчезне. 	